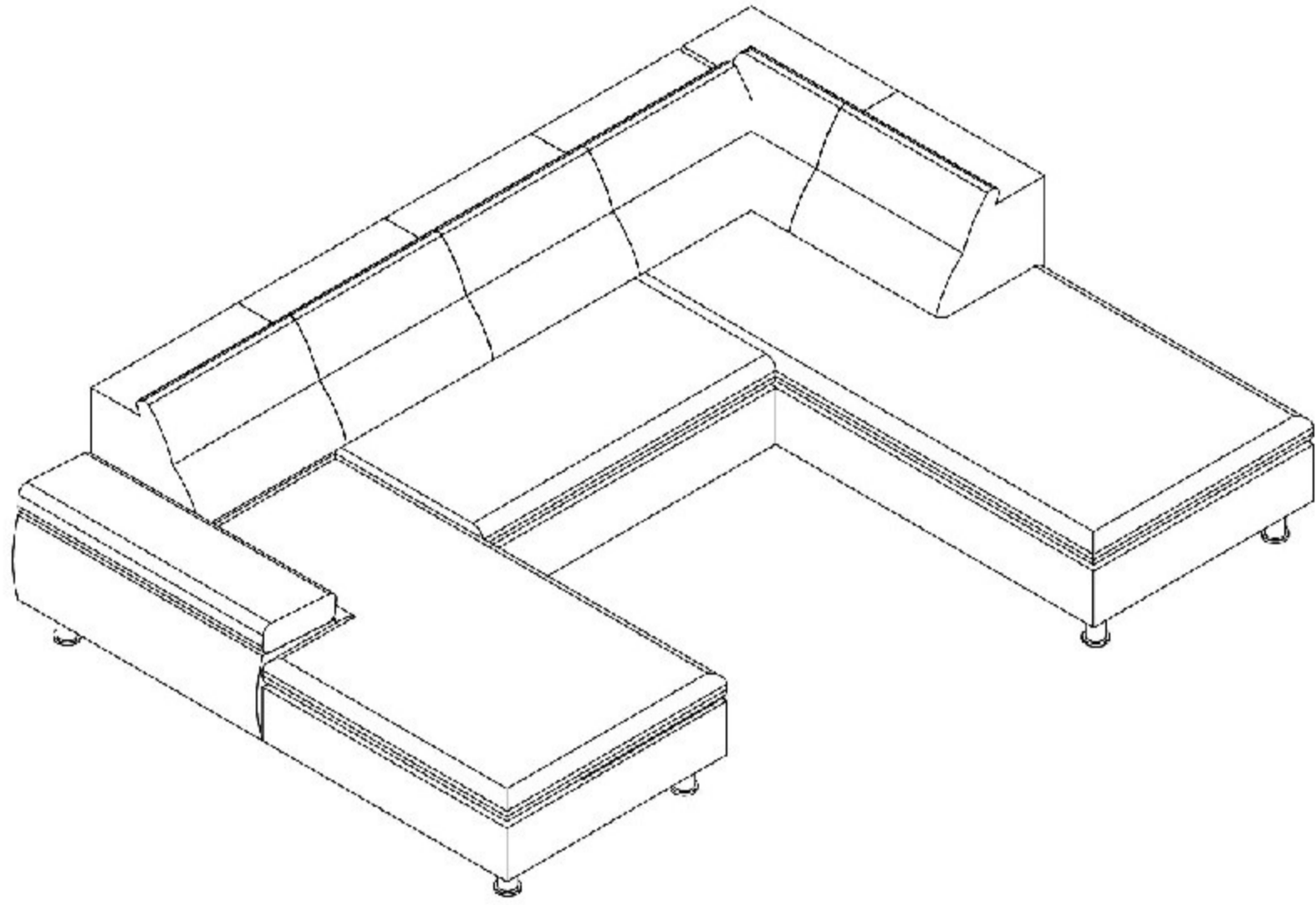


RecBK.2F.OTM



A 6x H100	B 2x H100	C 2x H90
--------------------------------	--------------------------------	-------------------------------

