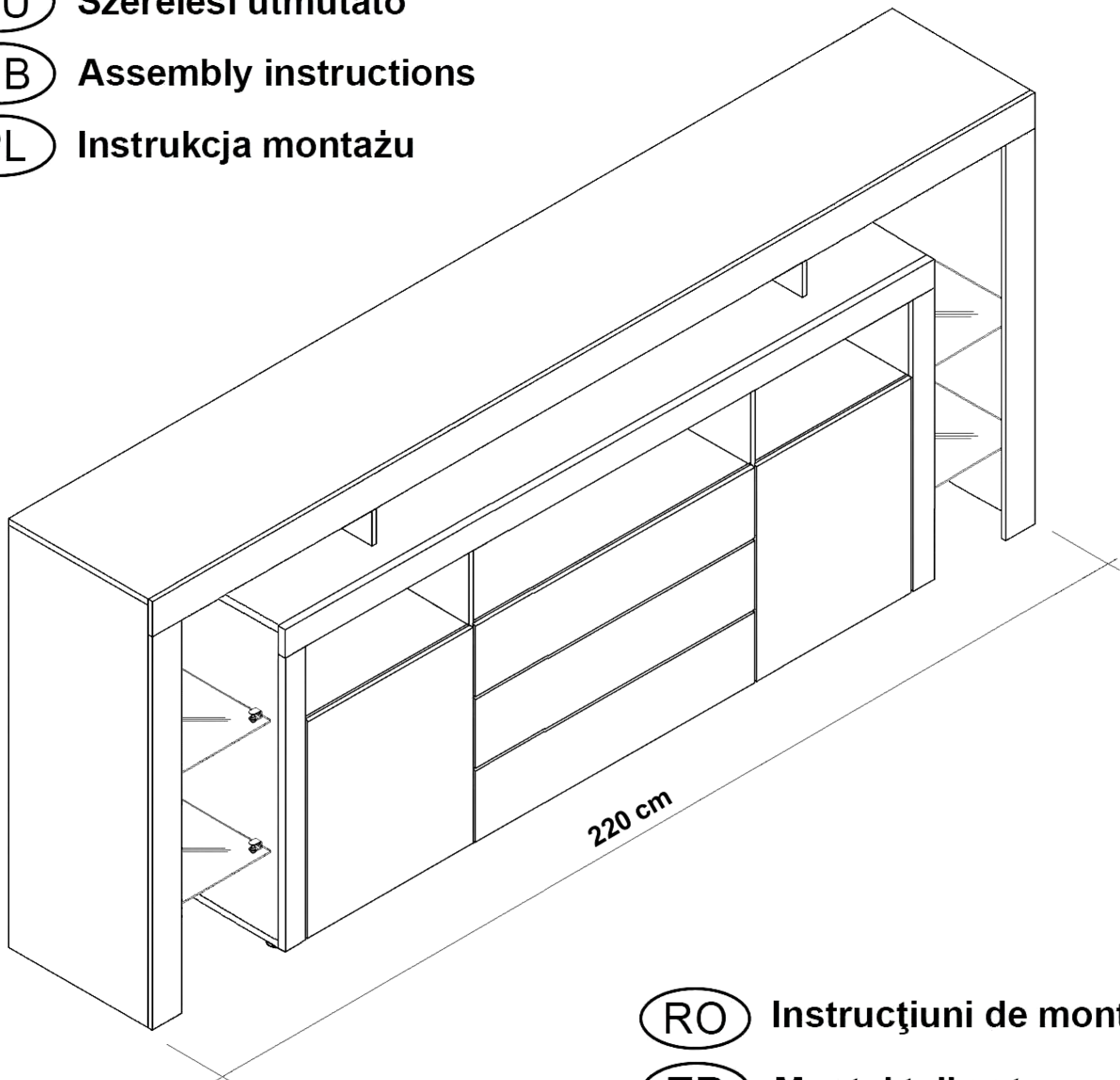


- (D)** Montageanleitung
- (NL)** Handleiding voor de montage
- (HU)** Szerelési útmutató
- (GB)** Assembly instructions
- (PL)** Instrukcja montażu



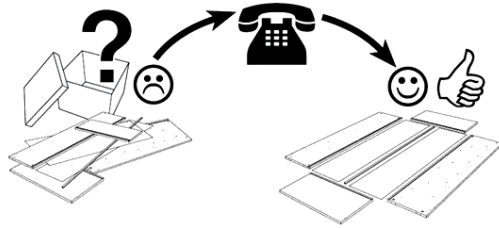
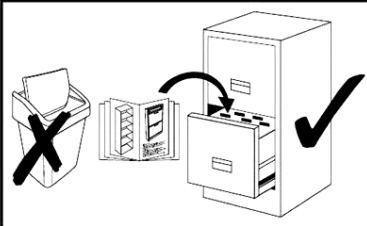
- (RO)** Instrucțiuni de montaj
- (TR)** Montaj talimatı
- (IT)** Istruzioni di montaggio
- (FR)** Notice de montage
- (SK)** Návod na montáž
- (CZ)** Montážní návod
- (RU)** Инструкция по монтажу

**Service • Assistenza • Dienstverlening • Serwis  
Servis • Szerviz • Сервисная служба**

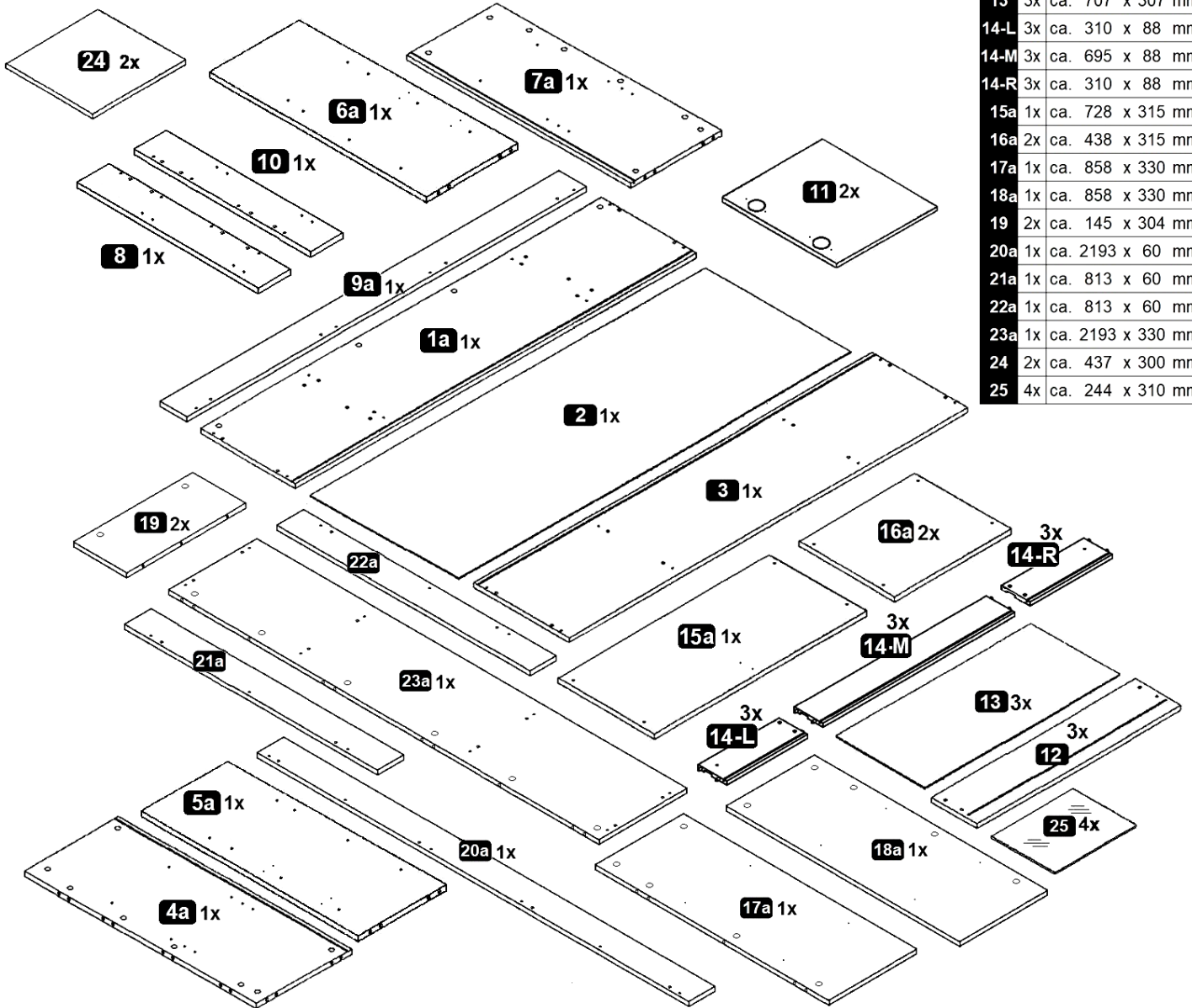
Name • Nom • Nome • Naam •  
Nazwa • Jméno • Názov • Név •  
Denümirë • İsim • Название

Nr. • No. • N° • Номер • Č • Sz

Typ • Type • Tipe • Típus • Tipo •  
Тип



|      |    |                   |
|------|----|-------------------|
| 1a   | 1x | ca. 1665 x 330 mm |
| 2    | 1x | ca. 1644 x 680 mm |
| 3    | 1x | ca. 1665 x 330 mm |
| 4a   | 1x | ca. 668 x 330 mm  |
| 5a   | 1x | ca. 668 x 315 mm  |
| 6a   | 1x | ca. 668 x 315 mm  |
| 7a   | 1x | ca. 668 x 330 mm  |
| 8    | 1x | ca. 639 x 60 mm   |
| 9a   | 1x | ca. 1665 x 60 mm  |
| 10   | 1x | ca. 639 x 60 mm   |
| 11   | 2x | ca. 398 x 476 mm  |
| 12   | 3x | ca. 737 x 156 mm  |
| 13   | 3x | ca. 707 x 307 mm  |
| 14-L | 3x | ca. 310 x 88 mm   |
| 14-M | 3x | ca. 695 x 88 mm   |
| 14-R | 3x | ca. 310 x 88 mm   |
| 15a  | 1x | ca. 728 x 315 mm  |
| 16a  | 2x | ca. 438 x 315 mm  |
| 17a  | 1x | ca. 858 x 330 mm  |
| 18a  | 1x | ca. 858 x 330 mm  |
| 19   | 2x | ca. 145 x 304 mm  |
| 20a  | 1x | ca. 2193 x 60 mm  |
| 21a  | 1x | ca. 813 x 60 mm   |
| 22a  | 1x | ca. 813 x 60 mm   |
| 23a  | 1x | ca. 2193 x 330 mm |
| 24   | 2x | ca. 437 x 300 mm  |
| 25   | 4x | ca. 244 x 310 mm  |







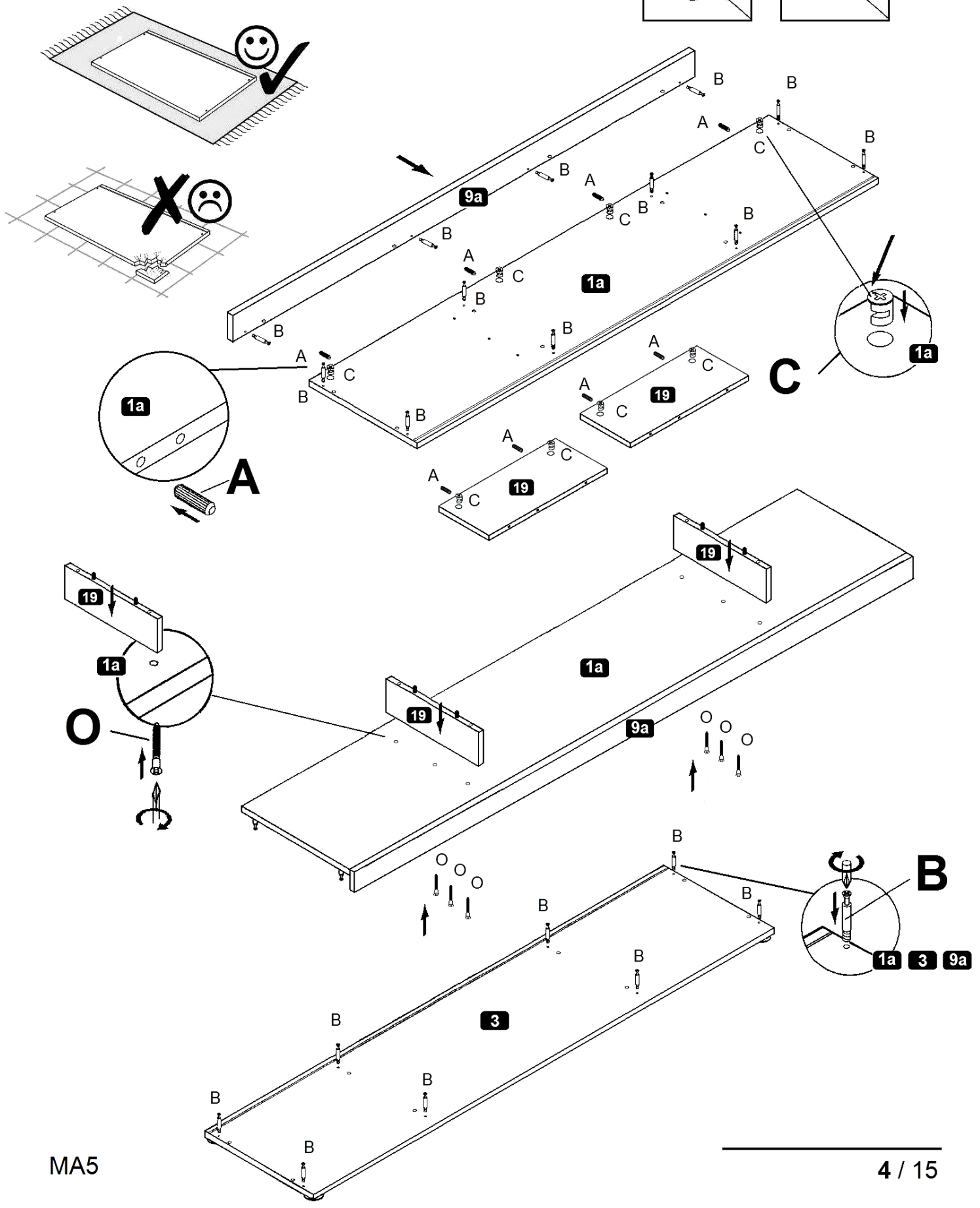
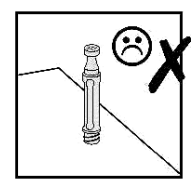
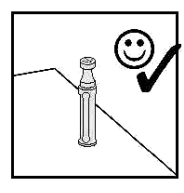
|                             |              |                            |                            |                            |                             |                            |
|-----------------------------|--------------|----------------------------|----------------------------|----------------------------|-----------------------------|----------------------------|
| <b>A</b> 8,0 x 30 mm<br>44x | <b>B</b> 48x | <b>C</b> 48x               | <b>D</b> 3,5x9,5mm 7x      | <b>E</b> 8x                | <b>F</b> 3,5 x 13 mm<br>16x | <b>G</b> 1x                |
| <b>H</b> 4x                 | <b>I</b> 6x  | <b>J</b> 4,0 x 20 mm<br>6x | <b>K</b> 2,7 x 20 mm<br>8x | <b>L</b> 17 x 310 mm<br>6x | <b>M</b> 6,3 x 13 mm<br>12x | <b>N</b> M4,0 x 9 mm<br>6x |
| <b>O</b> 6,3 x 50 mm<br>6x  | <b>P</b> 16x | <b>Q</b> 12x               |                            |                            |                             |                            |



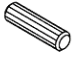




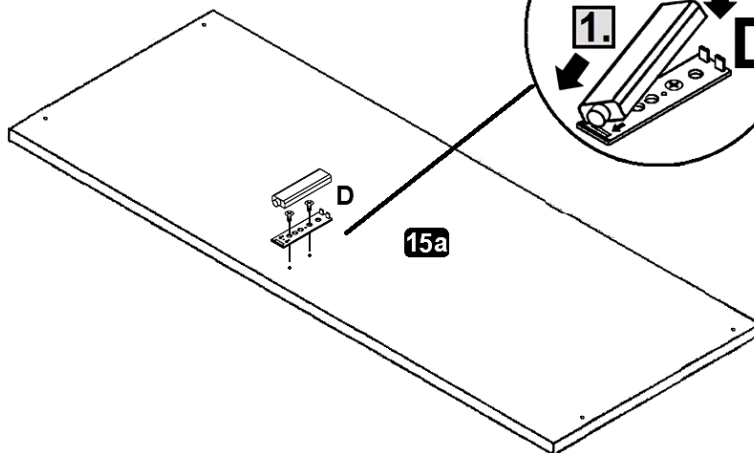
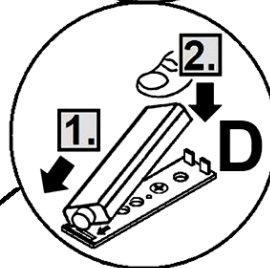
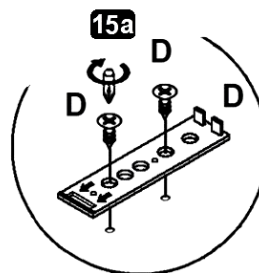
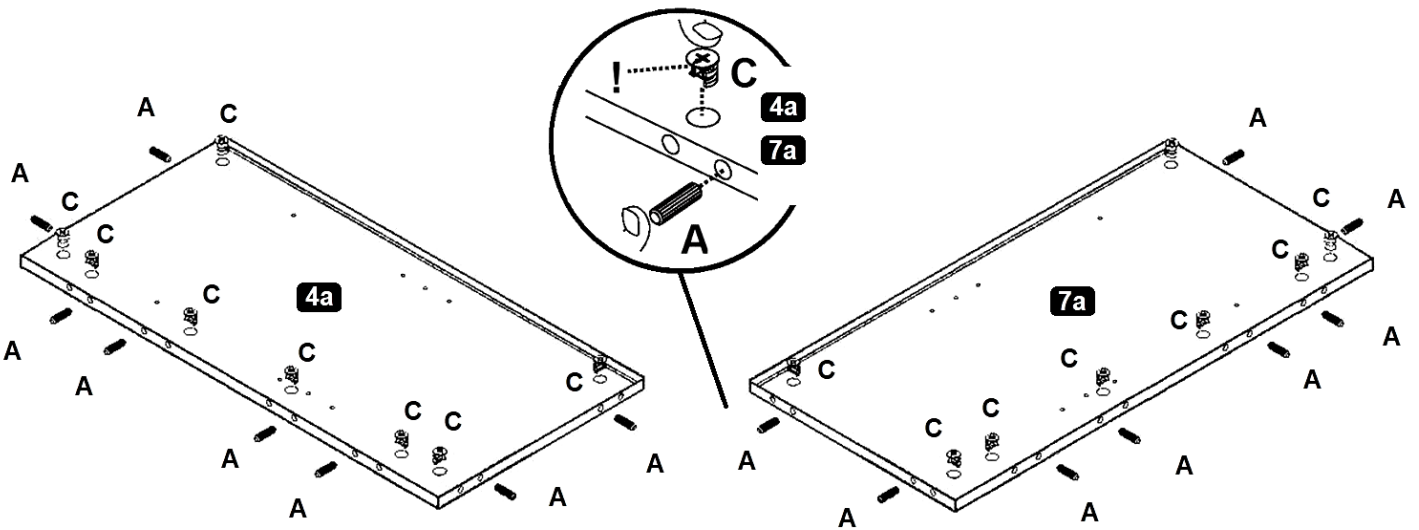
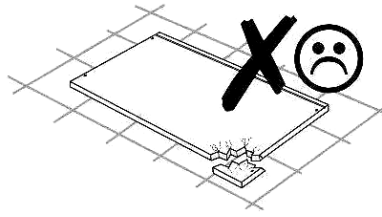
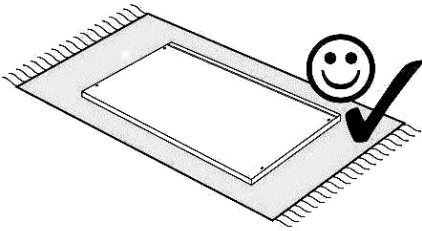
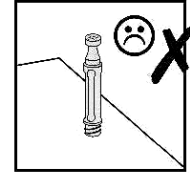
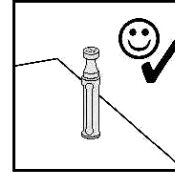
# 2

|   |   |   |   |
|---|---|---|---|
| <b>A</b> 8,0 x 30 mm  | <b>B</b>  | <b>C</b>  | <b>O</b> 6,3 x 50 mm  |
|  |  |  |  |
| <b>8x</b>   | <b>20x</b>  | <b>8x</b>   | <b>6x</b>   |




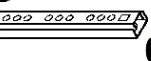


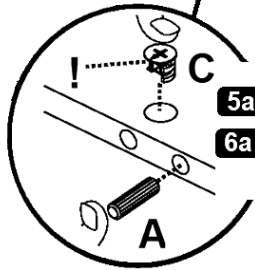
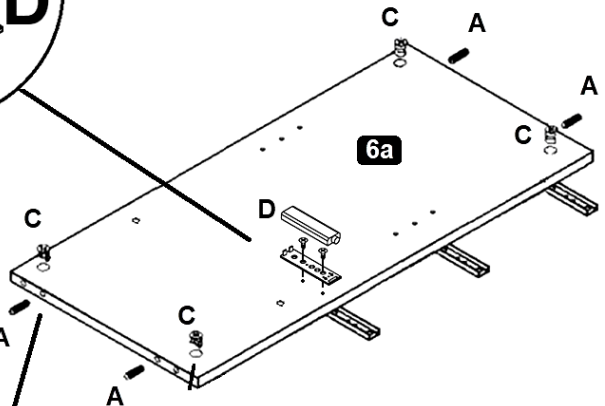
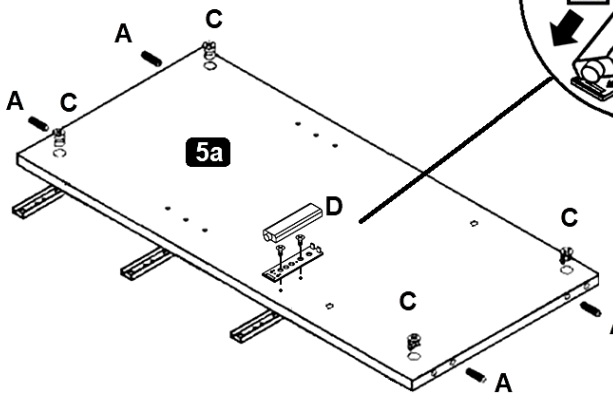
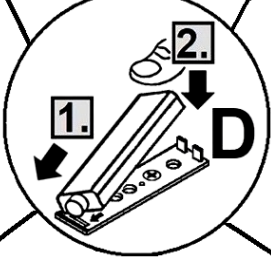
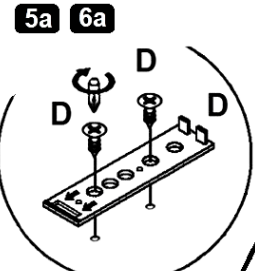
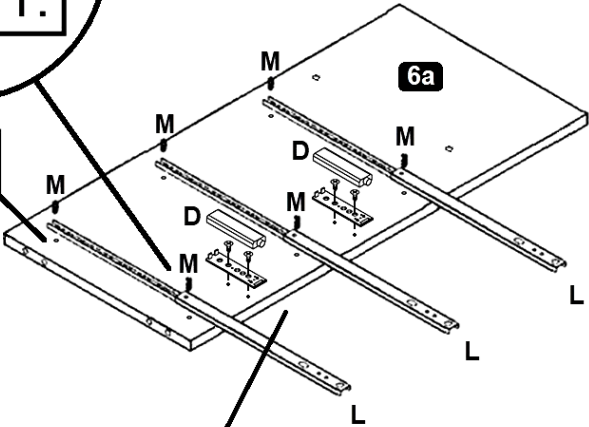
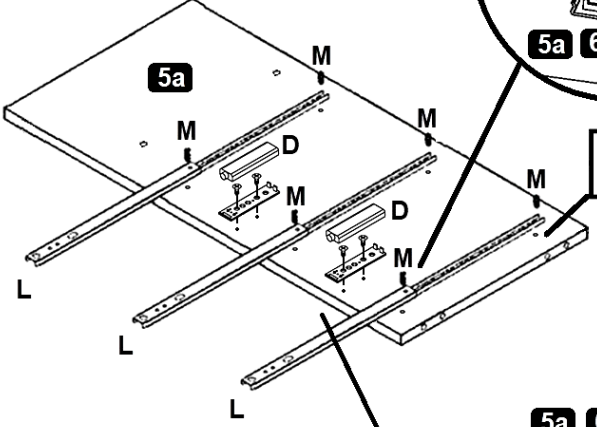
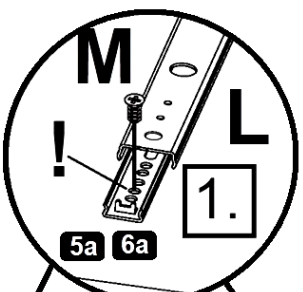
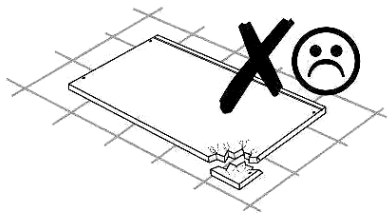
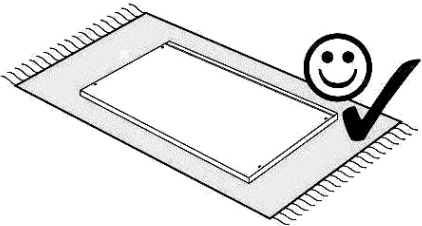
**3**

|  |  |   |
|--|--|---|
| <b>A</b> 8,0 x 30 mm<br> <b>16x</b> | <b>C</b><br> <b>16x</b> | <b>D</b> 3,5x9,5mm<br> <b>1x</b> |
|--|--|---|

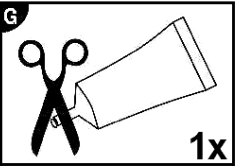
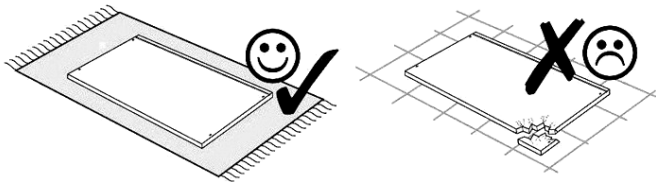


# 4

|   |   |  |   |   |
|---|---|--|---|---|
| <b>A</b> 8,0 x 30 mm  | <b>C</b>  8x | <b>D</b>  3,5x9,5mm | <b>L</b> 17 x 310 mm  | <b>M</b> 6,3 x 13 mm  |
|  |              |                     |  |  |
| 8x  | 8x  | 6x   | 6x  | 12x   |

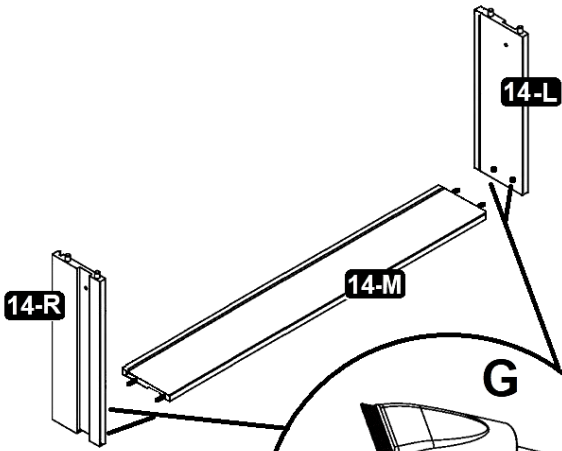


# 5

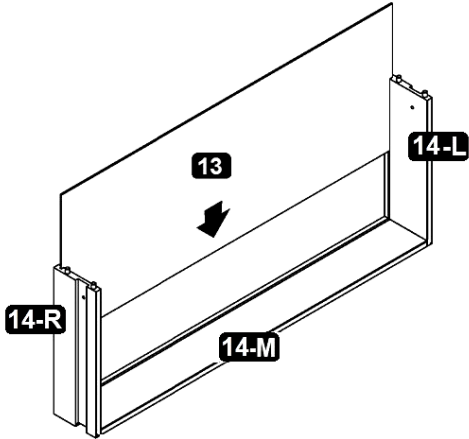


- D Leim
- GB Glue
- FR Colle
- IT Colla
- NL Lijm
- PL Klej
- CZ Lepidlo
- SK Glej
- HU Enyv
- RO Adeziv
- TR Tutkal
- RU Клей

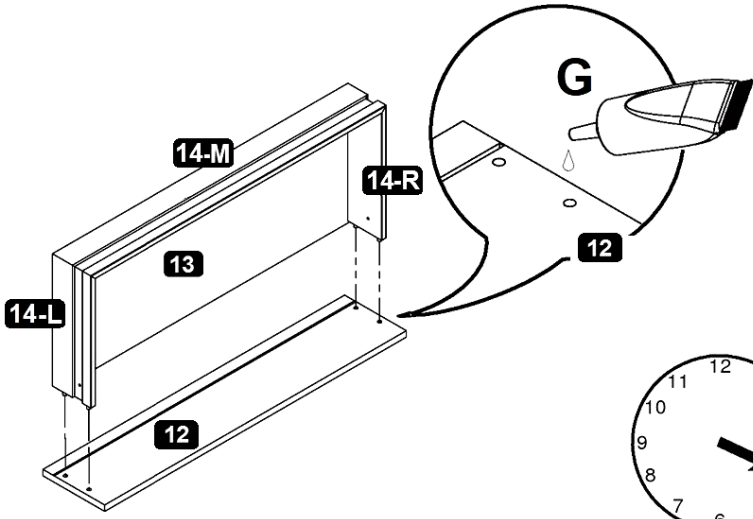
**3x**



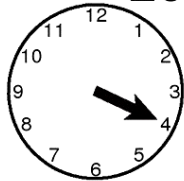
**3x**



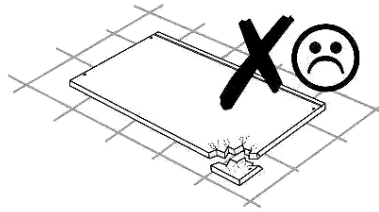
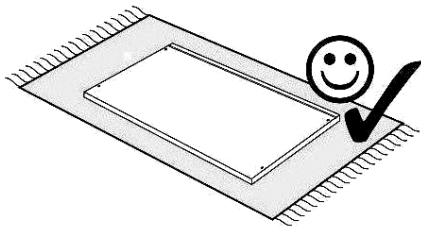
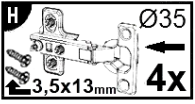
**3x**



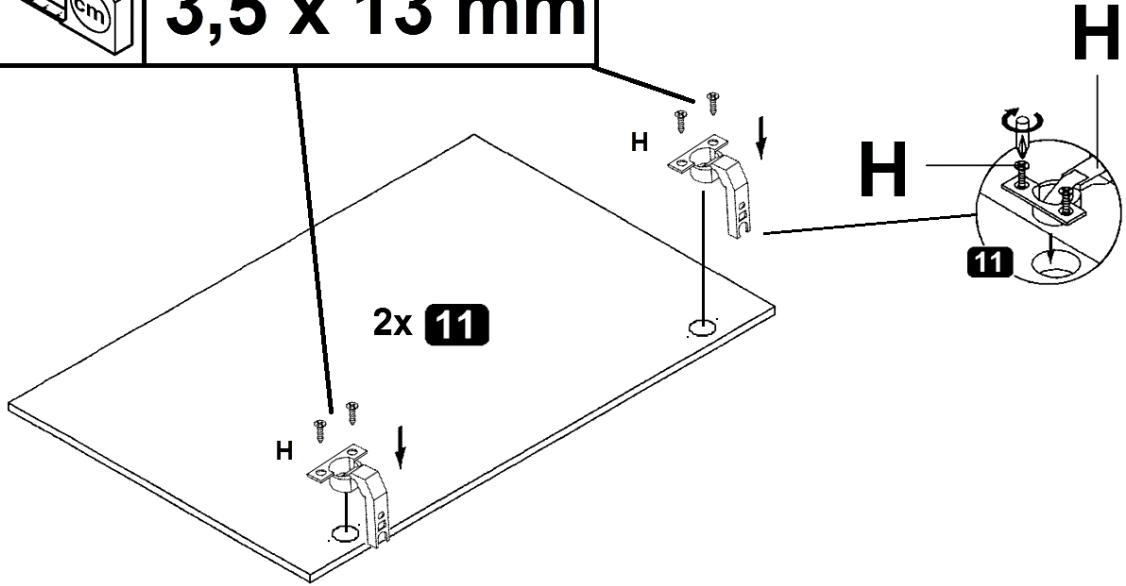
**20min**



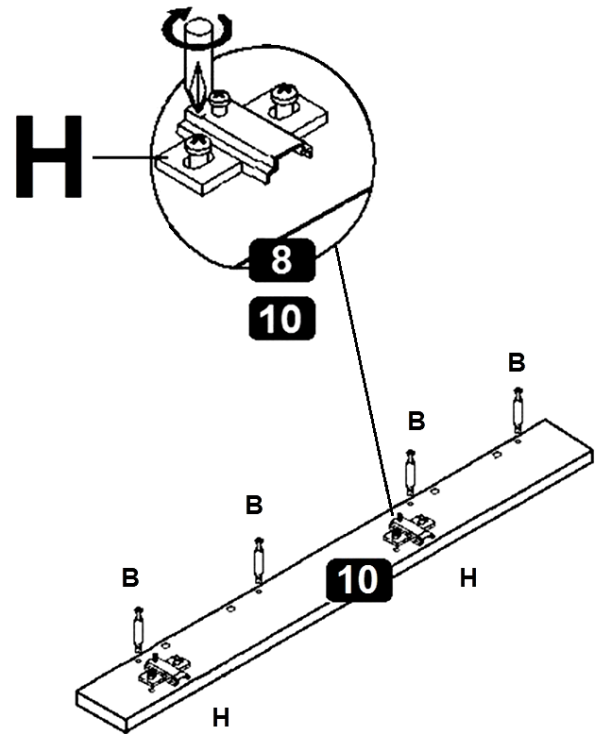
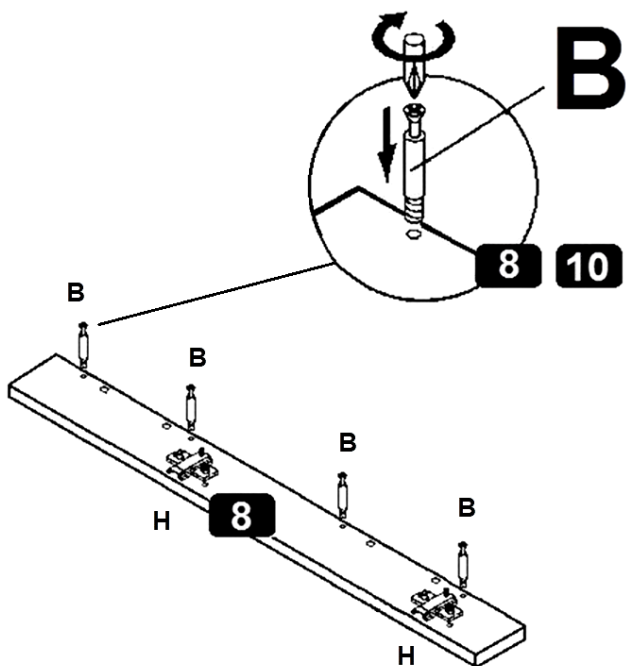
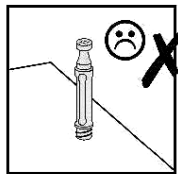
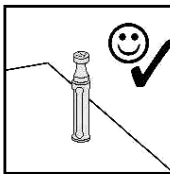
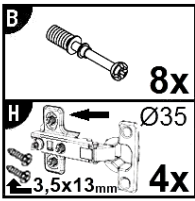
**6**



**3,5 x 13 mm**

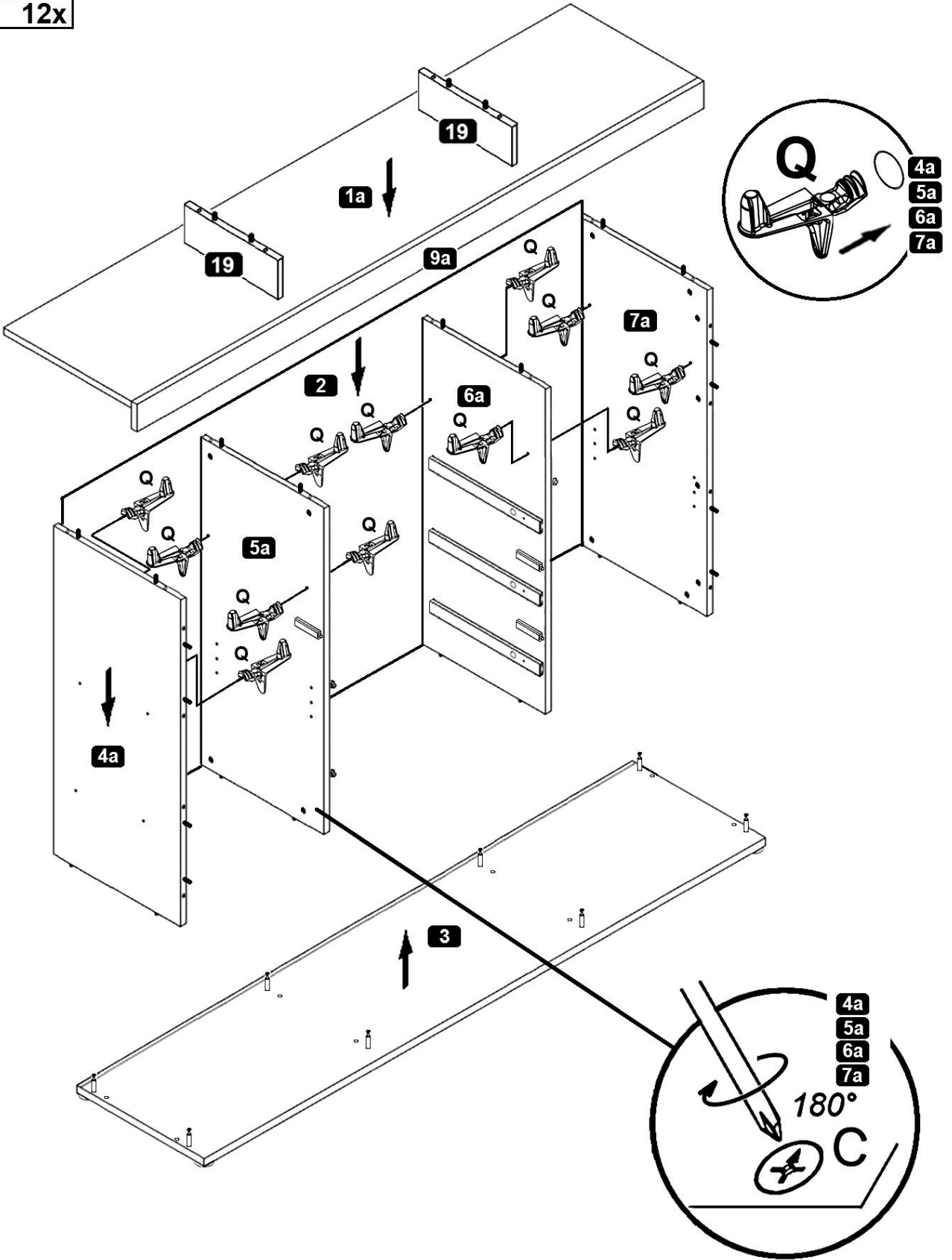
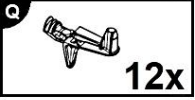


**7**








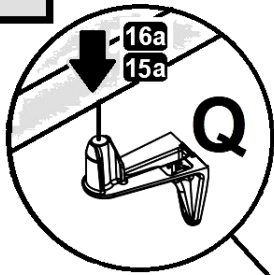
# 8



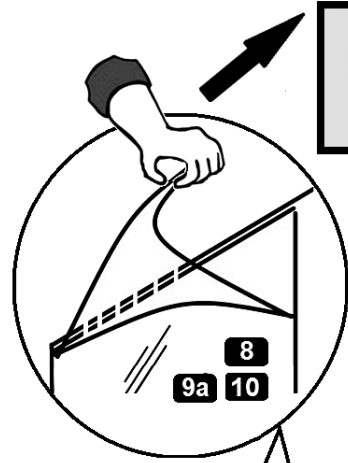
**9**

|   |             |   |    |
|---|-------------|---|----|
| K | 2,7 x 20 mm |  | 8x |
| N | M4,0 x 9 mm |  | 6x |
| E |             |  | 8x |

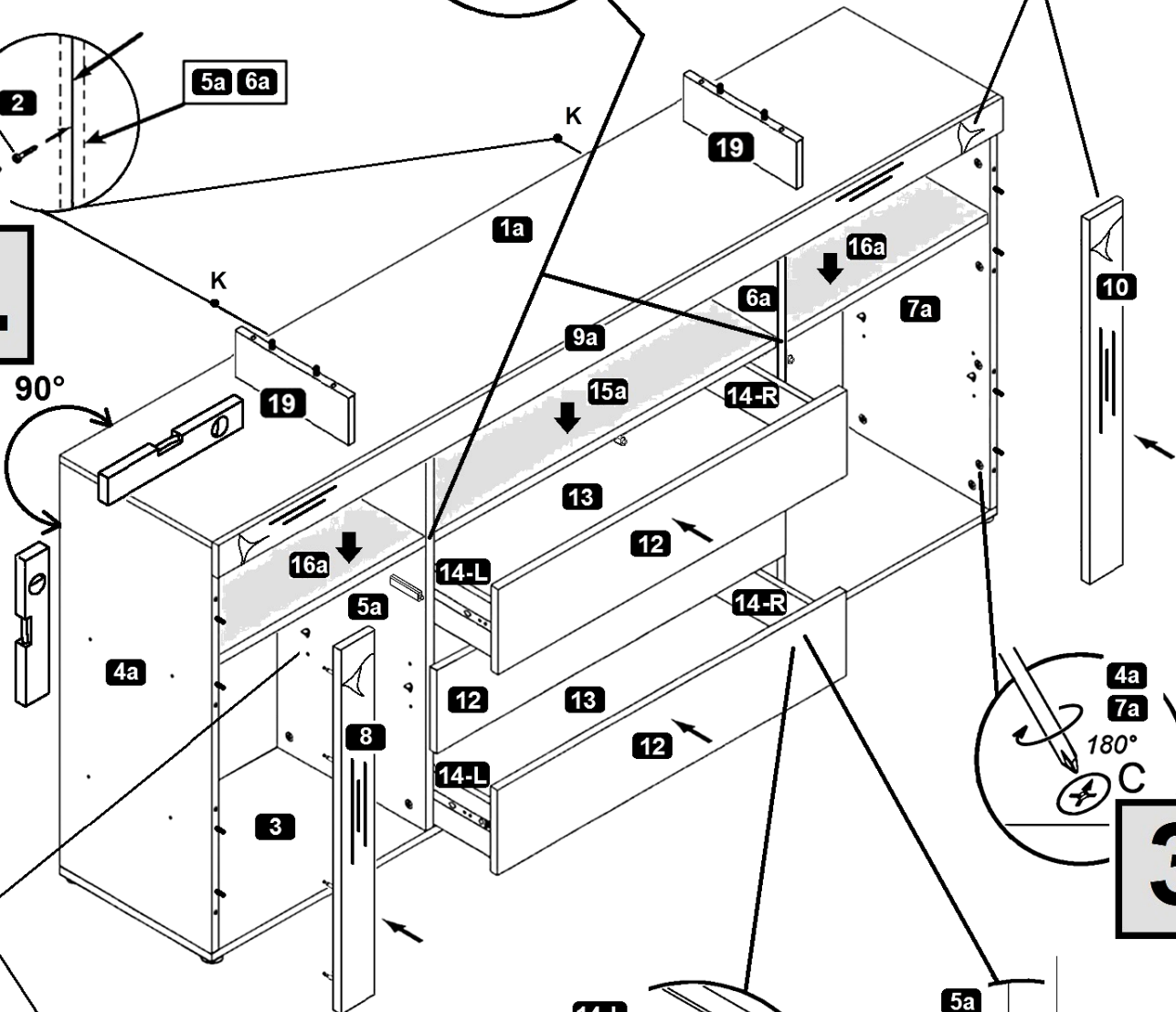
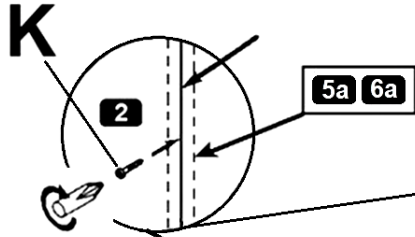
**2.**



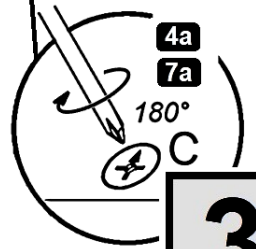
**1.**



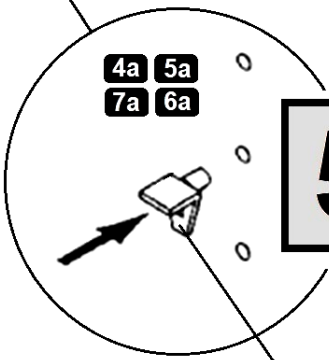
**4.**



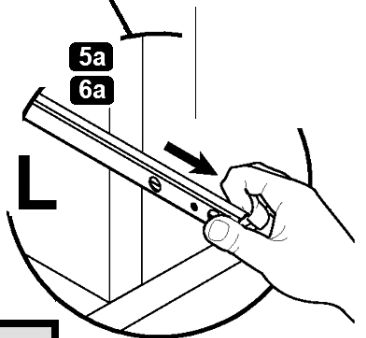
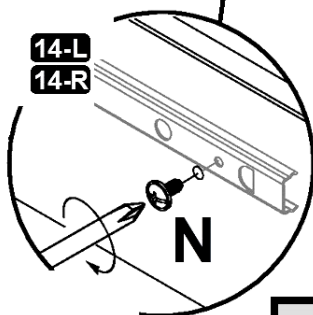
**3.**



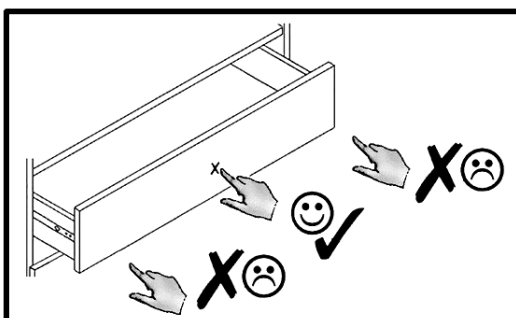
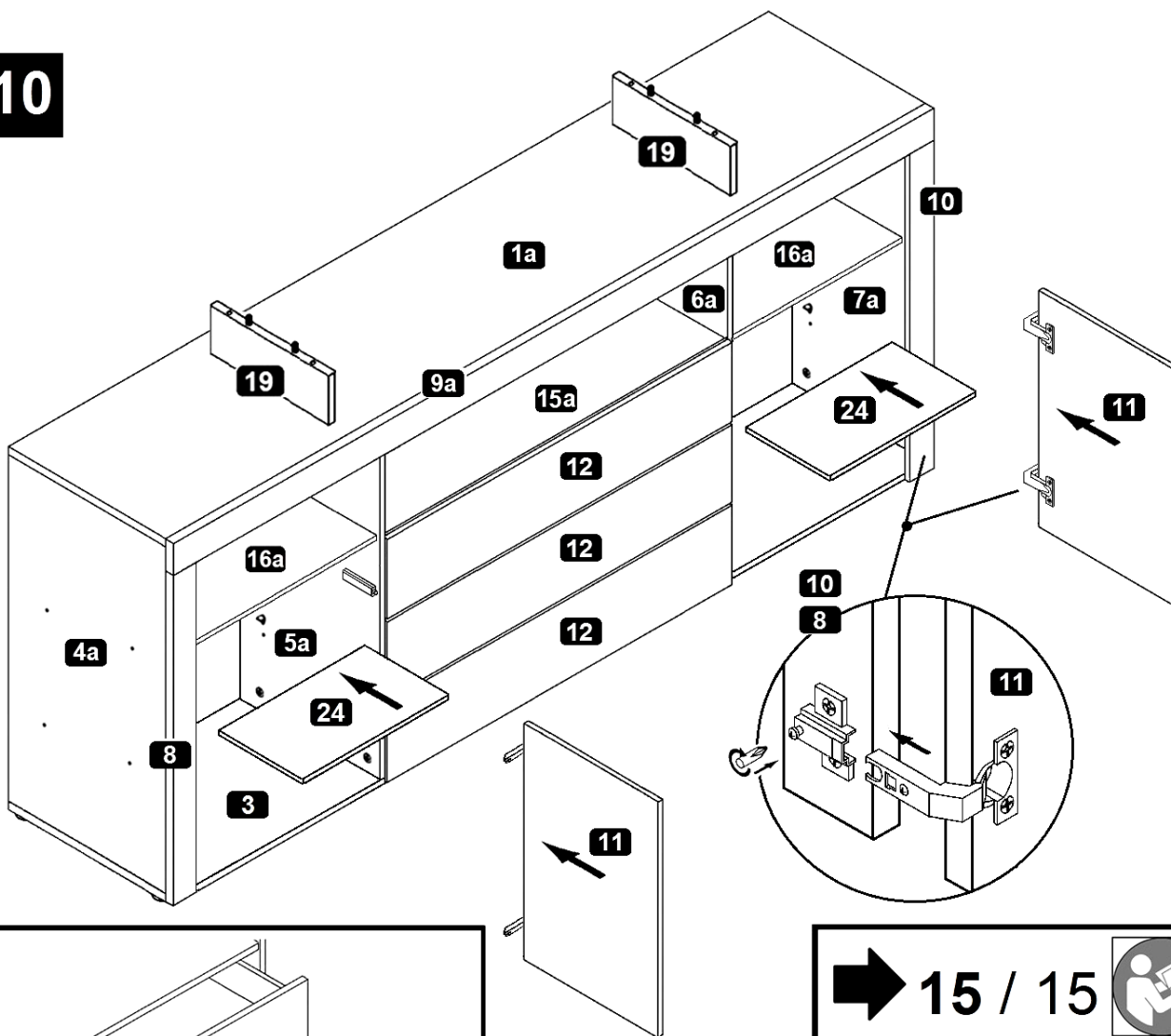
**5.**



**6.**



# 10





**➔ 14 / 15**

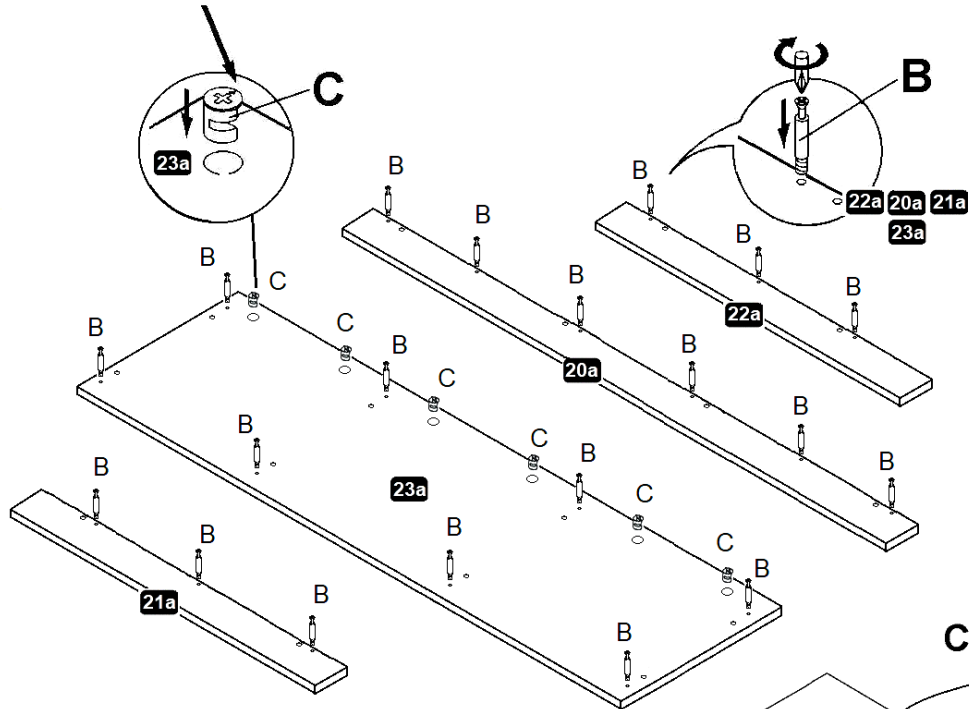
- (D) Push-To-Open einstellen
- (GB) Adjusting the Push-To-Open
- (FR) Régler les Push-To-Open
- (IT) Sistemare Push-To-Open
- (NL) Push-To-Open instellen
- (PL) Nastawić Push-To-Open
- (CZ) Vyrovnajte Push-To-Open
- (RO) Nastavenie Push-To-Open
- (HU) Állítsa be az Push-To-Open
- (SK) Reglare Push-To-Open
- (TR) Push-To-Open ayarlanması
- (RU) Регулировка Push-To-Open

**➔ 15 / 15**

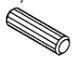



- (D) Türen einstellen (Scharniere justieren)
- (GB) Adjusting the doors (adjusting the hinges)
- (FR) Régler les portes (ajuster les charnières)
- (IT) Sistemare le porte (regolare le cerniere)
- (NL) Deuren instellen (scharnieren afstellen)
- (PL) Nastawić drzwi (wyregulować zawiasy)
- (CZ) Vyrovnajte dvířka (seřid'te závěsy)
- (RO) Nastavenie dverí (nastavenie závesov)
- (HU) Állítsa be az ajtókat (állítsa be a zsanérokot)
- (SK) Reglare uši (ajustare balamale)
- (TR) Kapıların ayarlanması (menteşelerin seviye ayarı)
- (RU) Регулировка дверей (регулировка шарнира)

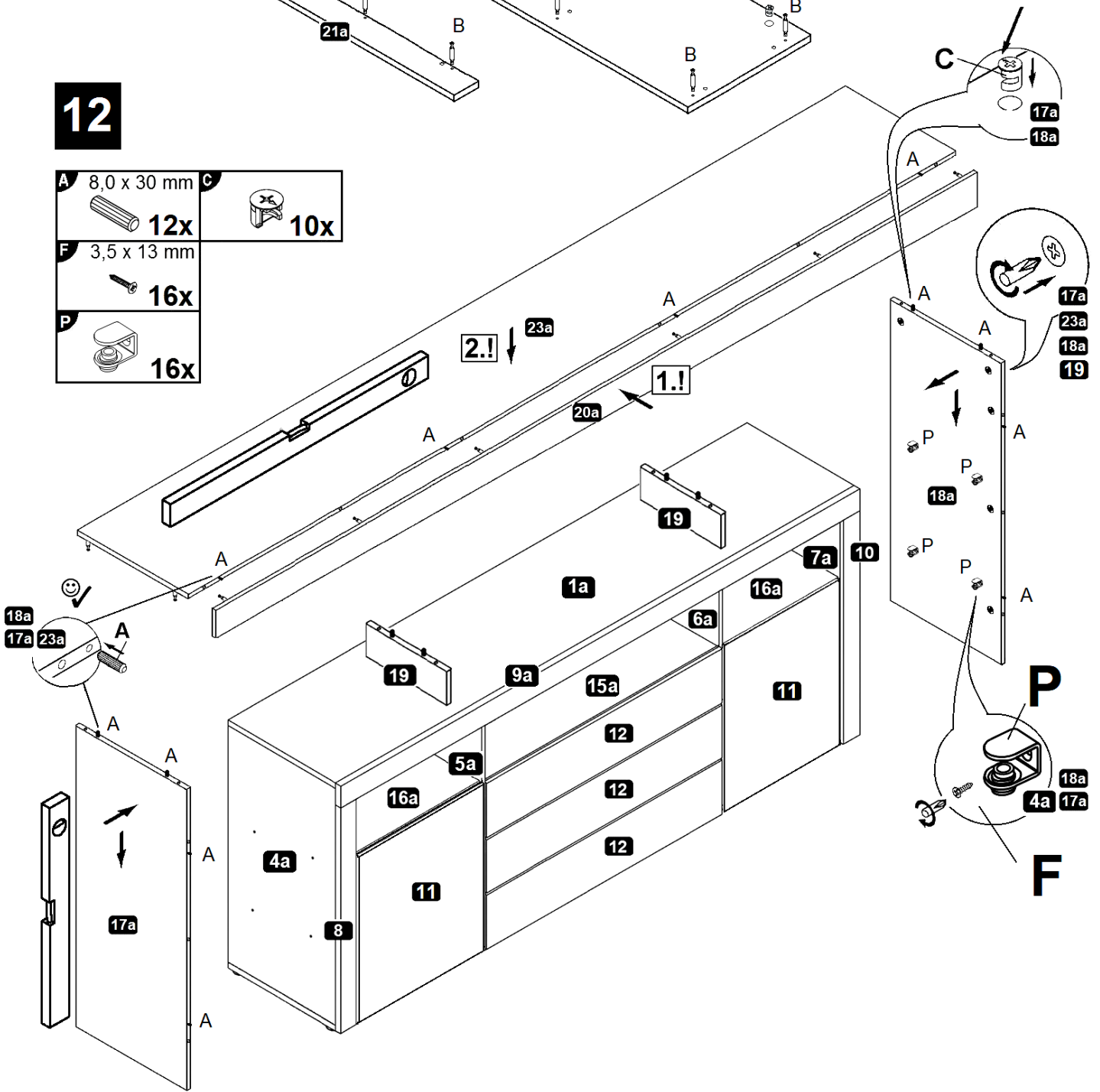
# 11

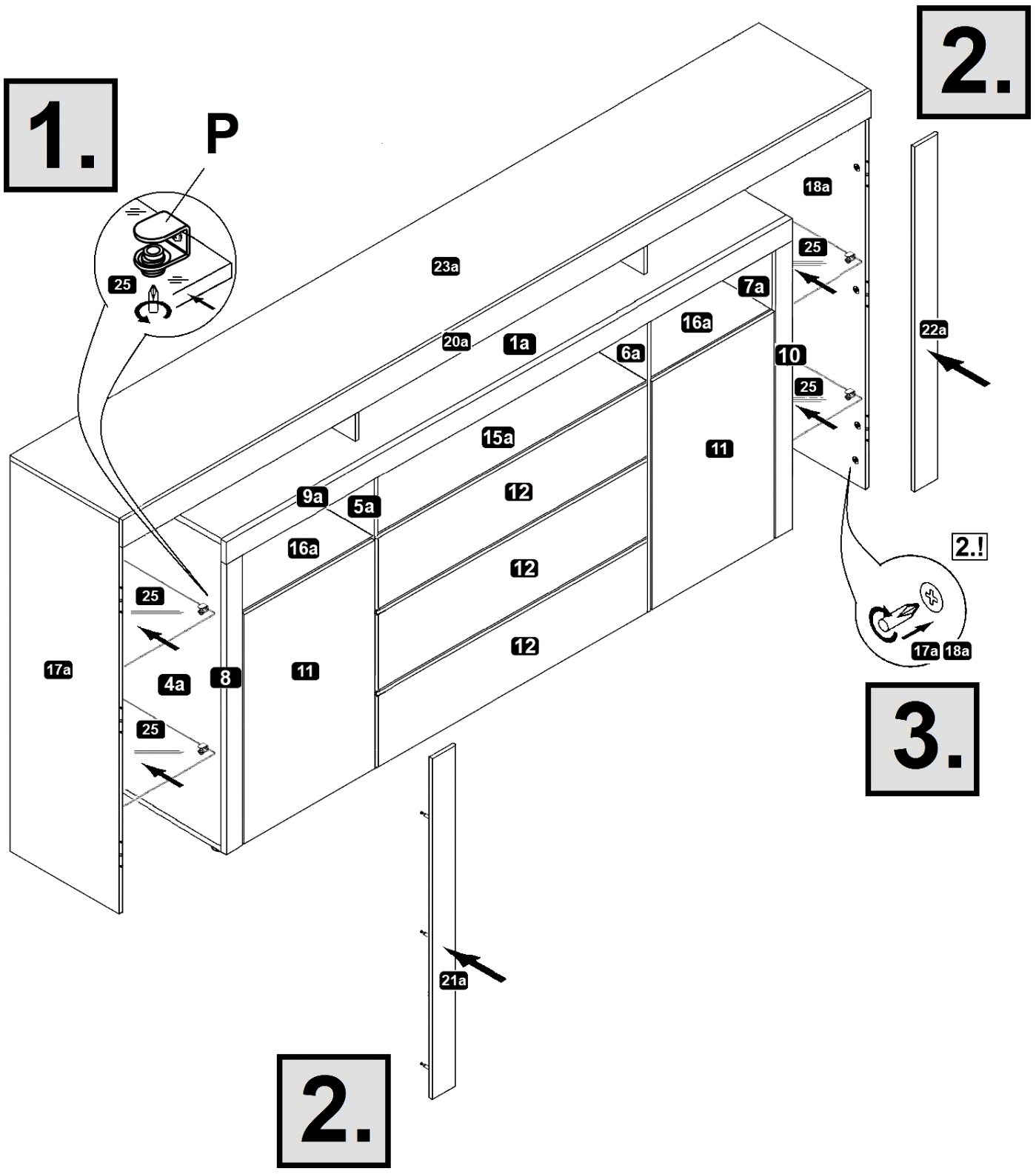
- B**  **20x**
- C**  **6x**

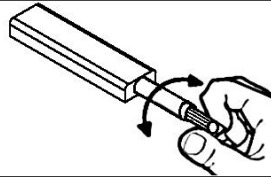


# 12

- A**  **12x**
- C**  **10x**
- F**  **16x**
- P**  **16x**







(D) Push-To-Open einstellen

(CZ) Vyrovnajte Push-To-Open

(GB) Adjusting the Push-To-Open

(RO) Nastavenie Push-To-Open

(FR) Régler les Push-To-Open

(HU) Állítsa be az Push-To-Open

(IT) Sistemare Push-To-Open

(SK) Reglare Push-To-Open

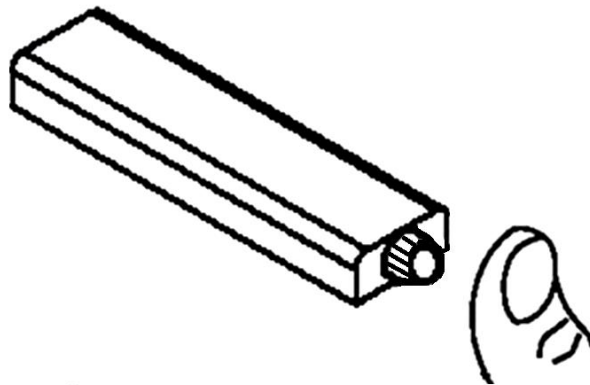
(NL) Push-To-Open instellen

(TR) Push-To-Open ayarlanması

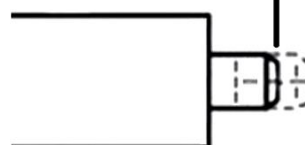
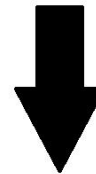
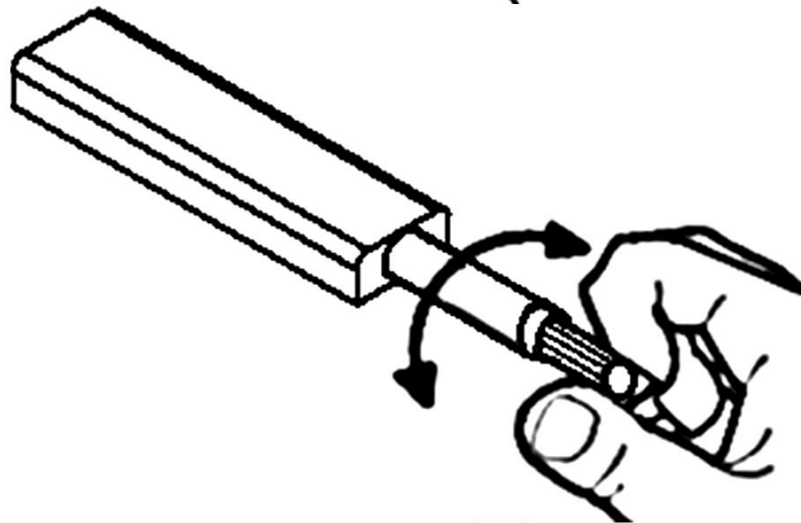
(PL) Nastawić Push-To-Open

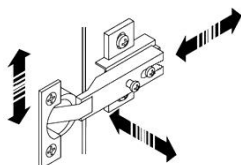
(RU) Регулировка Push-To-Open

1.



2.





**(D)** Türen einstellen  
(Scharniere justieren)

**(GB)** Adjusting the doors  
(adjusting the hinges)

**(FR)** Régler les portes  
(ajuster les charnières)

**(IT)** Sistemare le porte  
(regolare le cerniere)

**(NL)** Deuren instellen  
(scharnieren afstellen)

**(PL)** Nastawić drzwi  
(wyregulować zawiasy)

**(CZ)** Vyrovnajte dvířka  
(seřid'ťe závěsy)

**(RO)** Nastavenie dverí  
(nastavenie závesov)

**(HU)** Állítsa be az ajtókat  
(állítsa be a zsanérokát)

**(SK)** Reglare uši  
(ajustare balamale)

**(TR)** Kapıların ayarlanması  
(menteşelerin seviye ayarı)

**(RU)** Регулировка дверей  
(регулировка шарнира)

