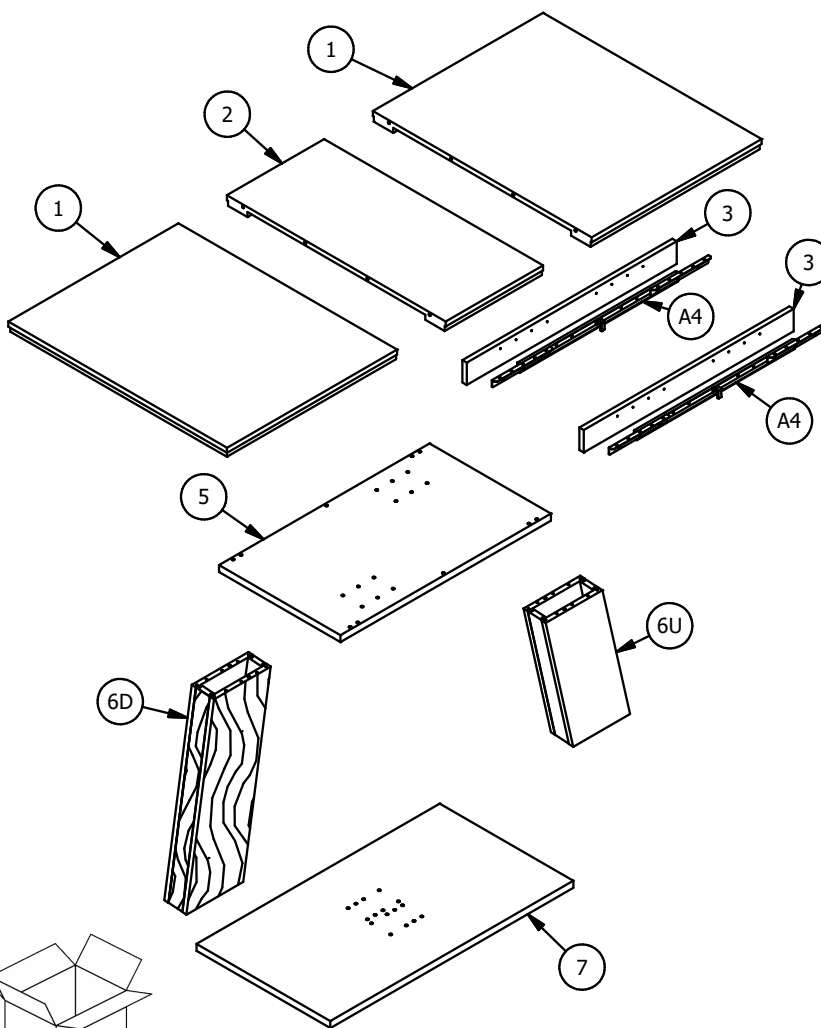
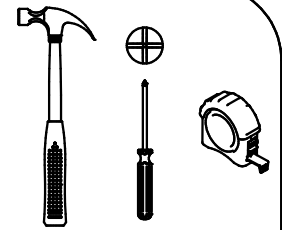
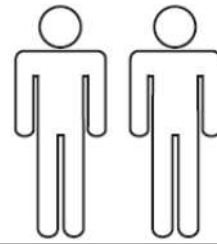
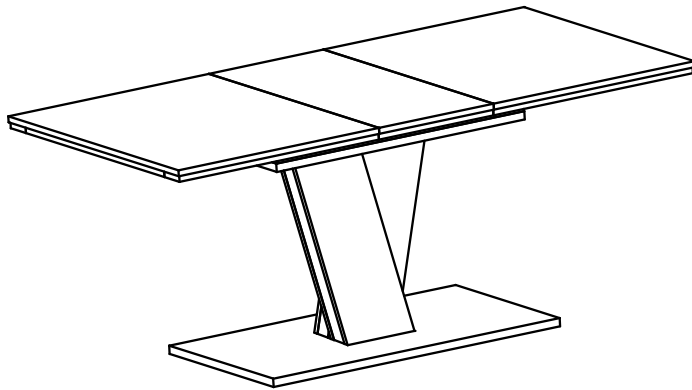
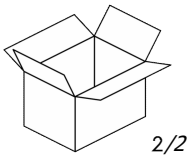



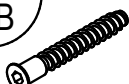

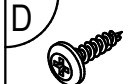

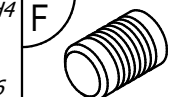
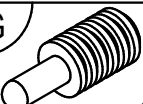




LUCY_T

Hela Tische / Möbel Vertriebs GmbH
Scheidkamp 14 / 32584 Löhne
service@hela-tische.de

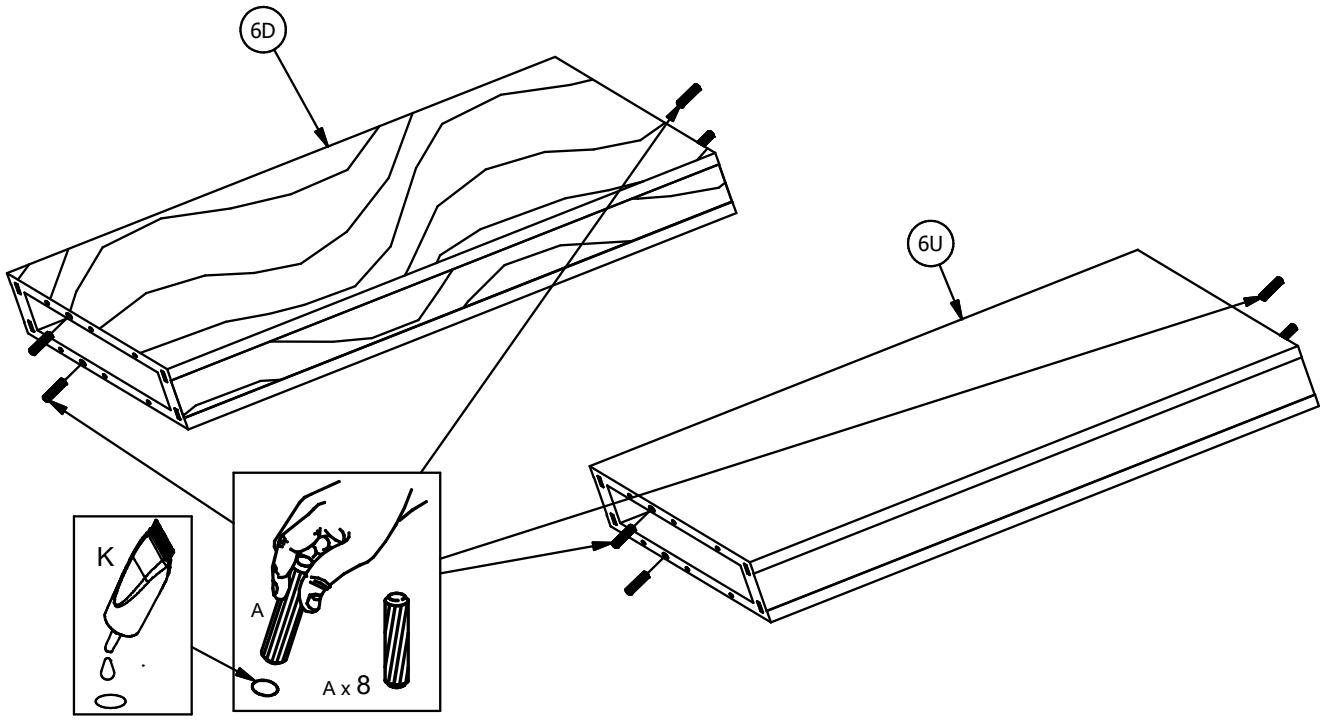
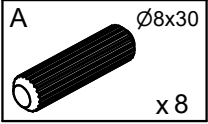


| | | | |
|---|----|----|-------------|
| 1 | 1 | x2 | 700x900x36 |
| 1 | 2 | x1 | 400x900x36 |
| 2 | 3 | x2 | 865x80x18 |
| 2 | 5 | x1 | 866x500x25 |
| 2 | 6D | x1 | 748x220x96 |
| 2 | 6U | x1 | 748x220x96 |
| 2 | 7 | x1 | 1000x550x25 |
| 2 | A4 | x2 | L-650 |

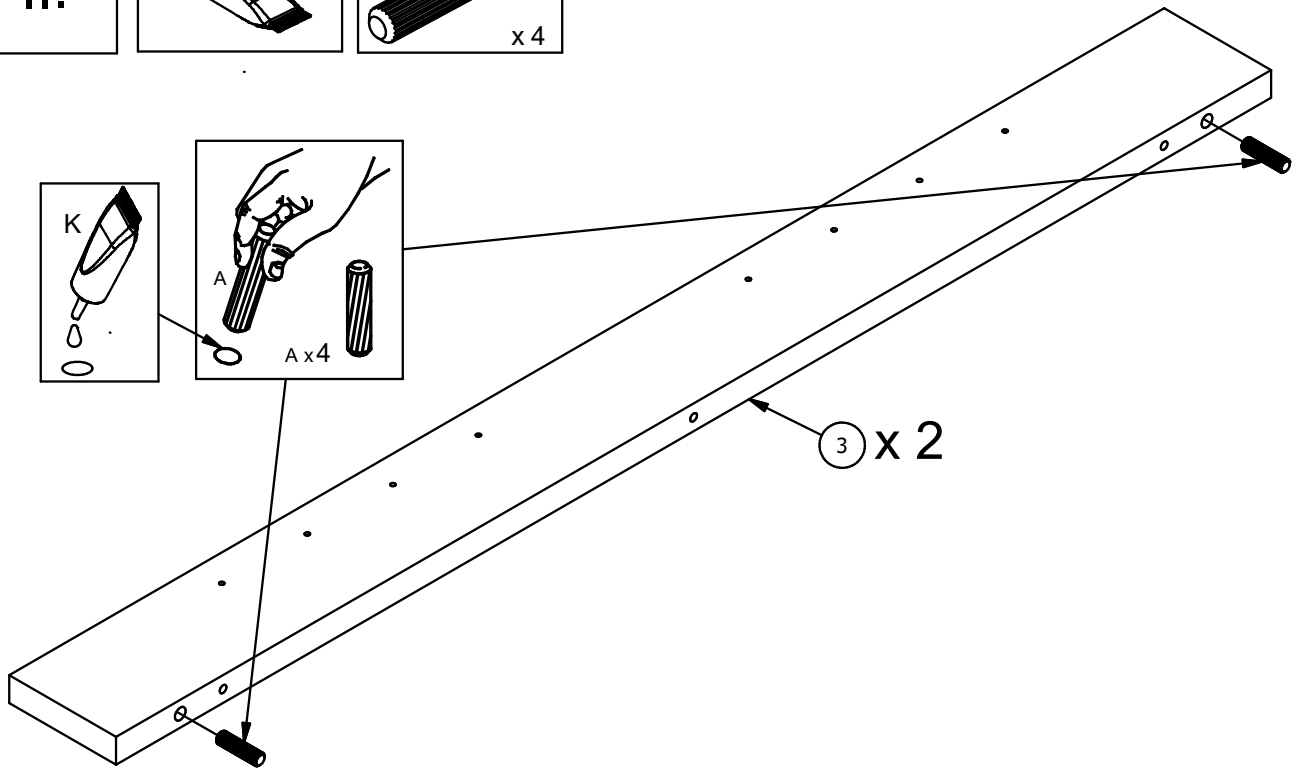
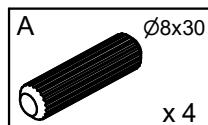
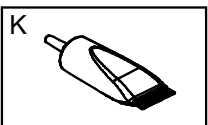


| | | | | | | | | | | | |
|---|--|---|--|---|--|---|--|---|---|---|--|
| A |  $\text{Ø}8 \times 30$ x12 | B |  $\text{Ø}7 \times 50$ x30 | C |  $\text{Ø}3,5 \times 16$ x24 | D |  $\text{Ø}3,5 \times 16$ x20 | E |  $\text{Ø}16 \times \text{H}4$ x6 | F |  x8 |
| G |  x8 | H |  SW4 x1 | I |  $\text{Ø}16 \times 3$ x16 | J |  x4 | K |  x1 | | |

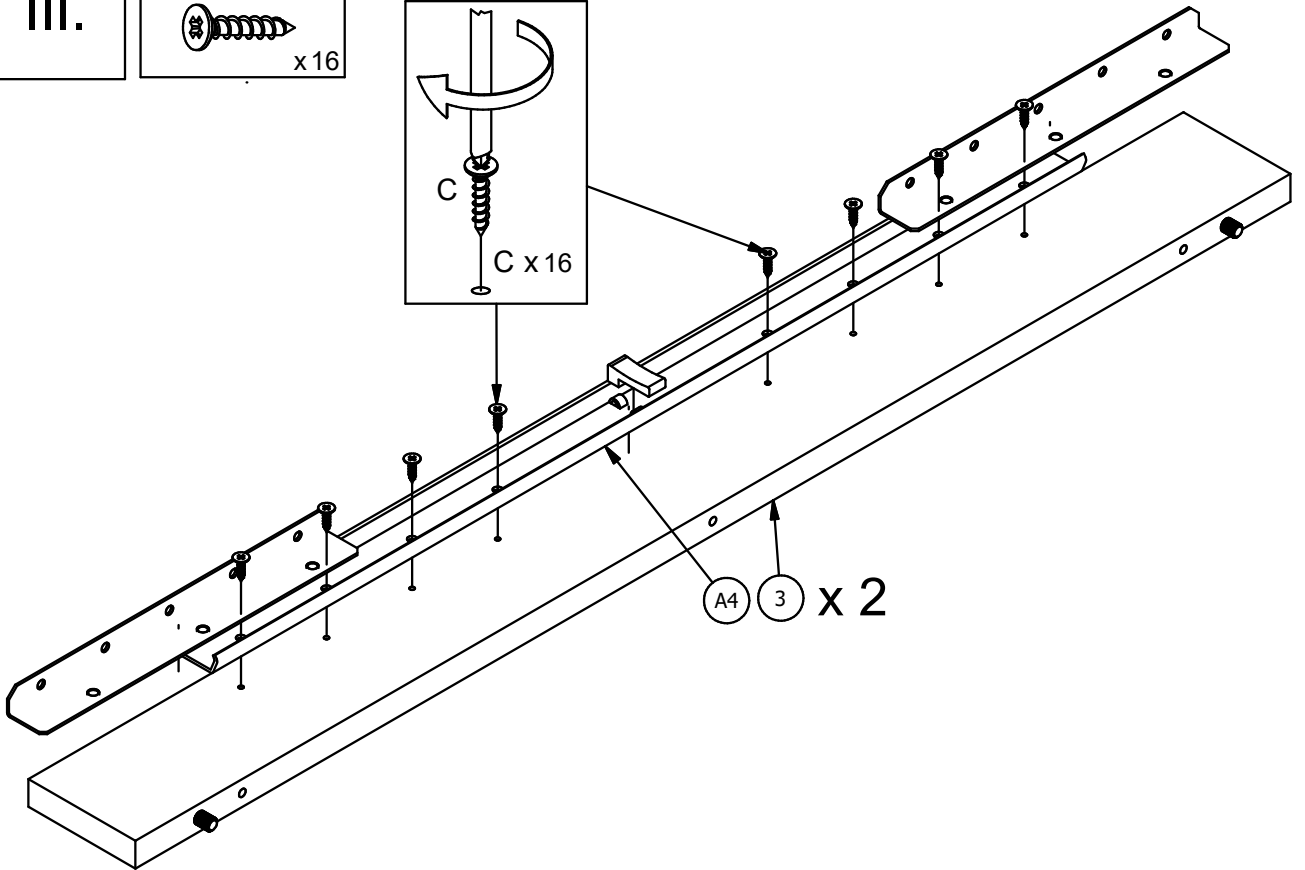
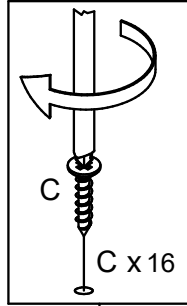
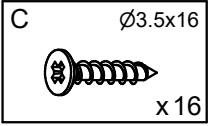
I.



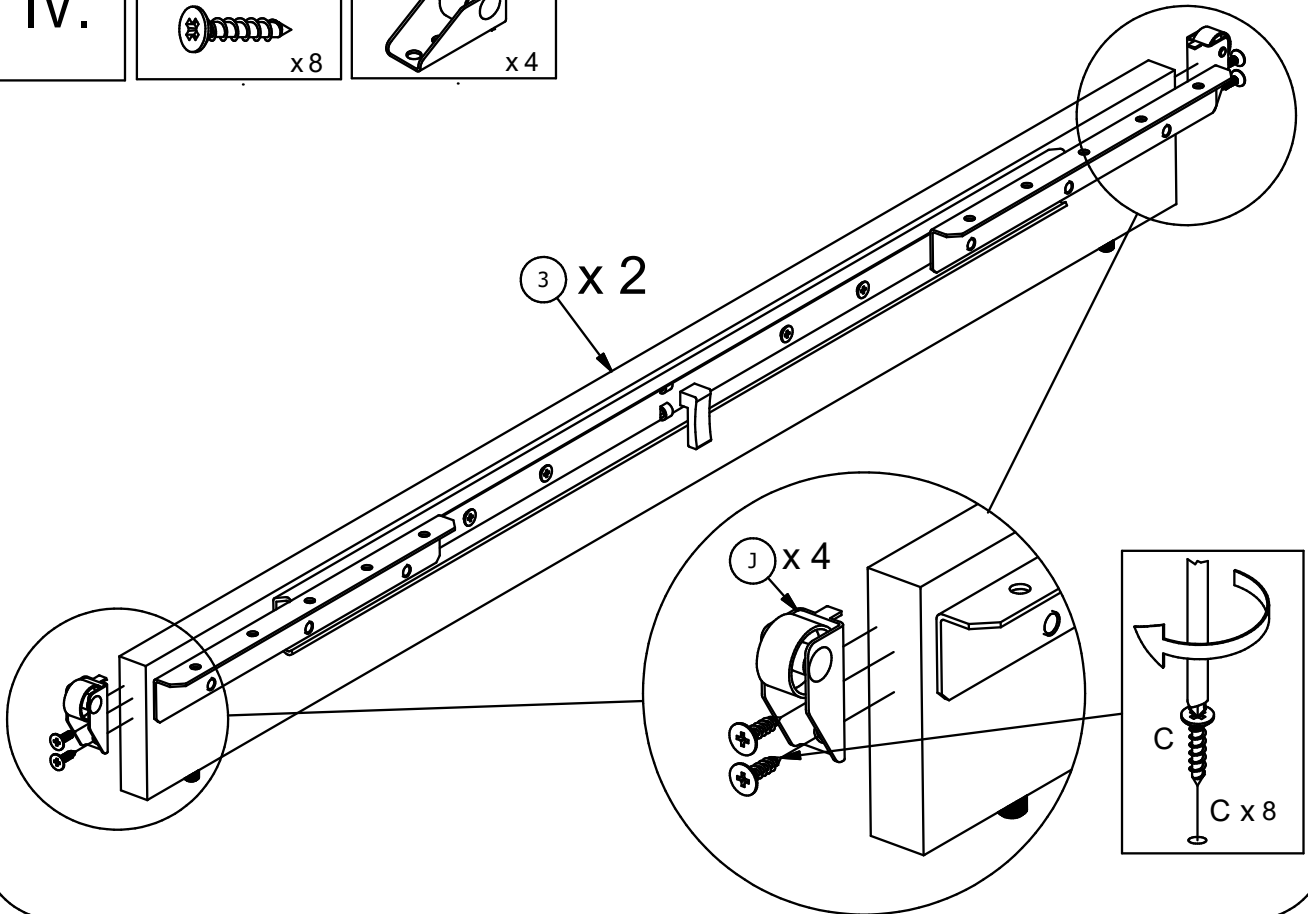
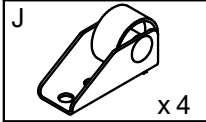
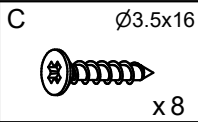
II.



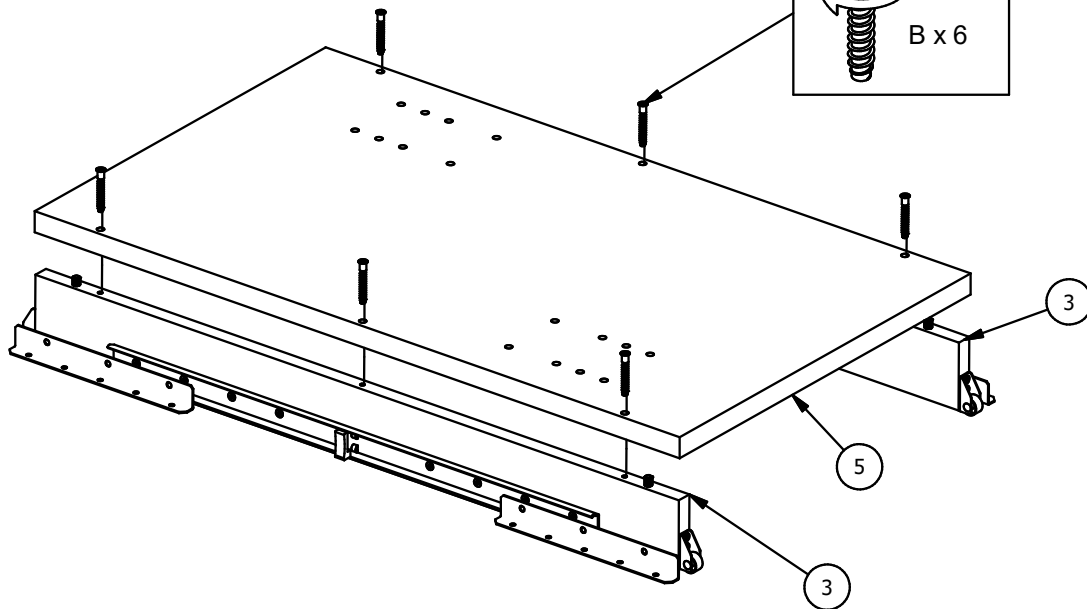
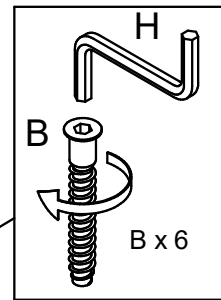
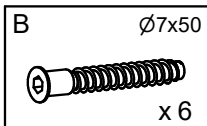
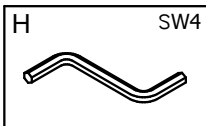
III.



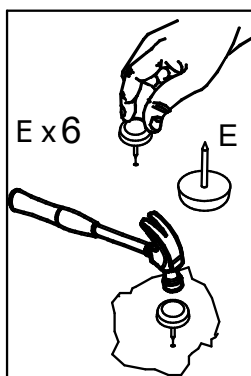
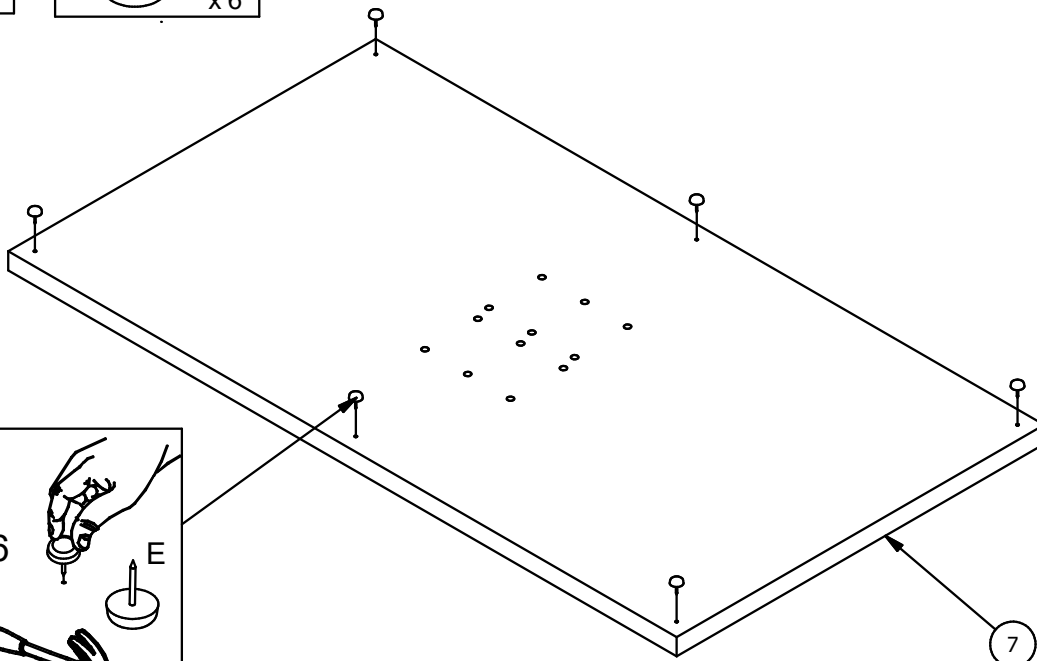
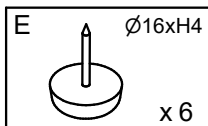
IV.



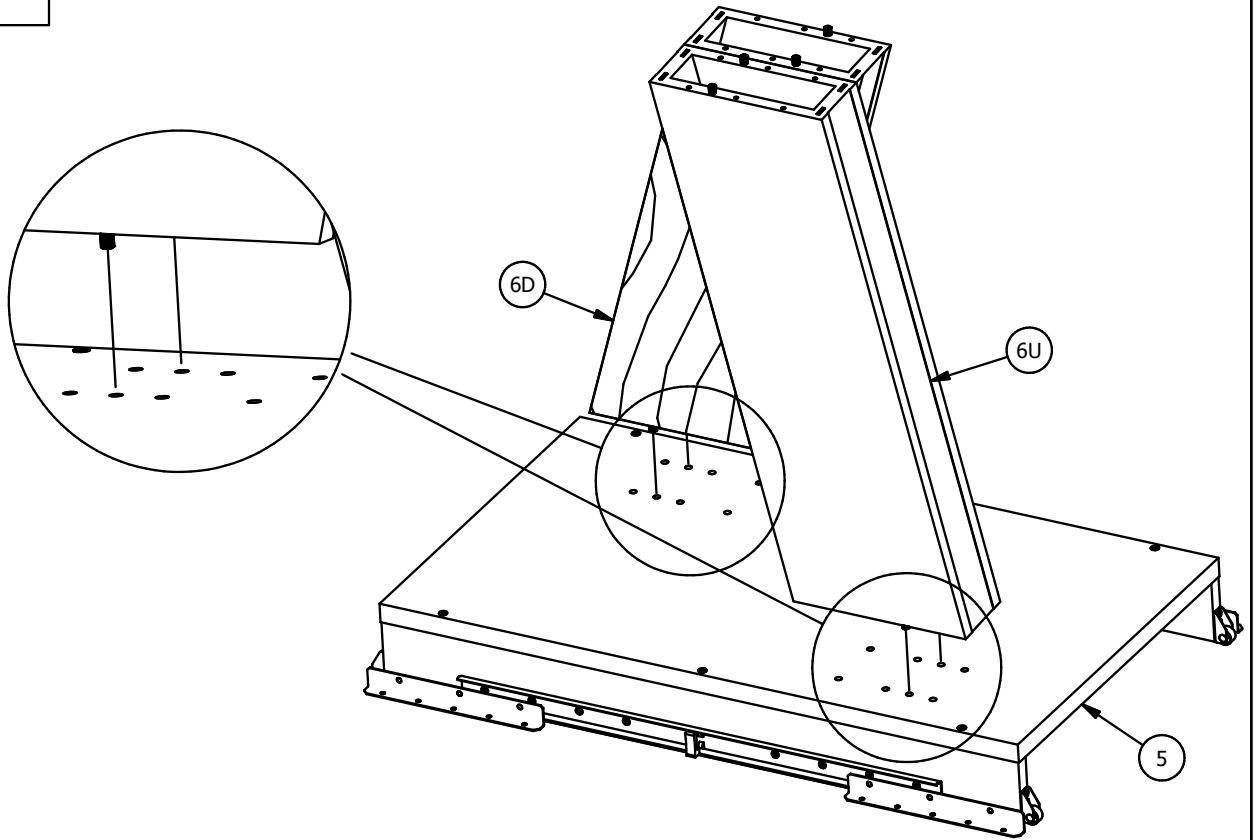
V.



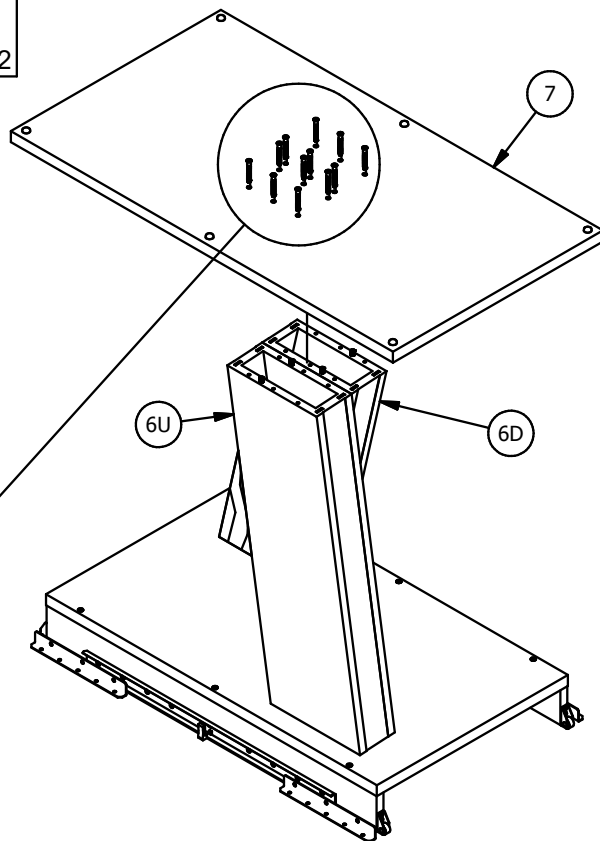
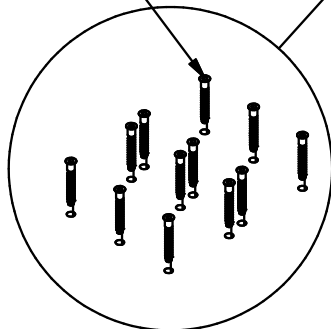
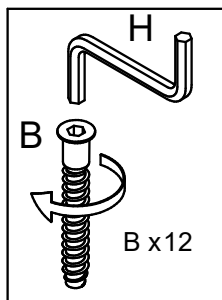
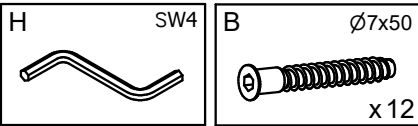
VI.



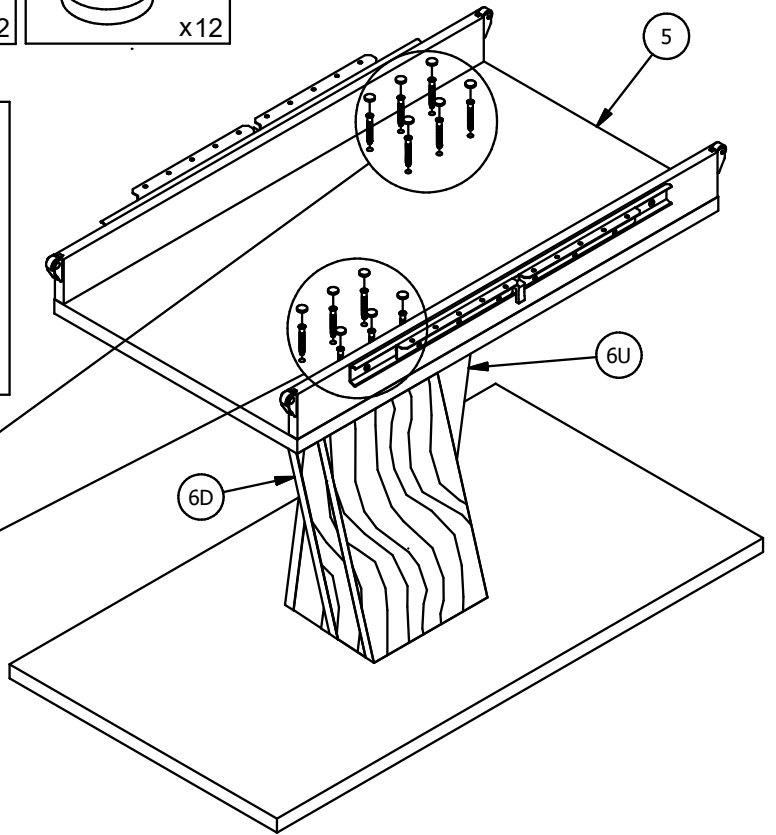
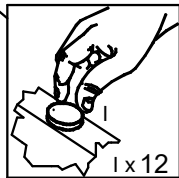
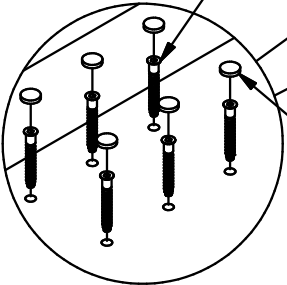
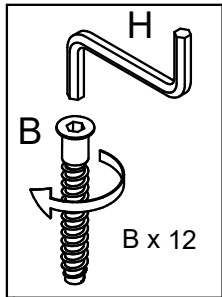
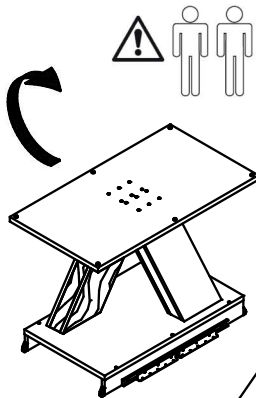
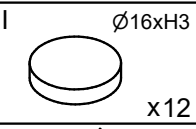
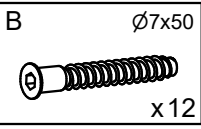
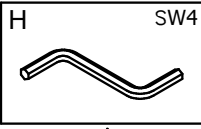
VII.



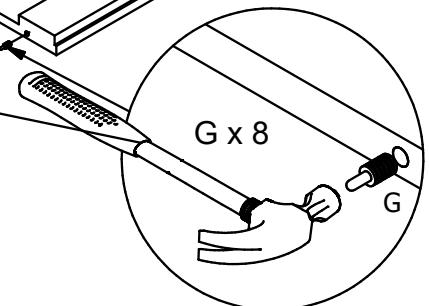
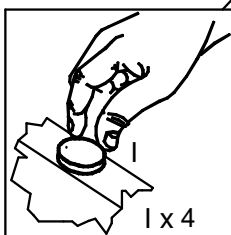
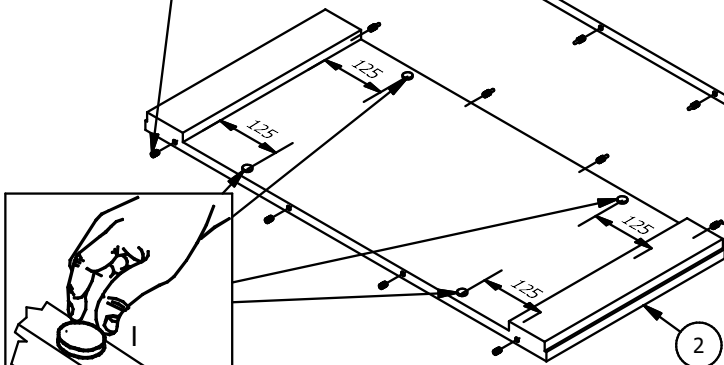
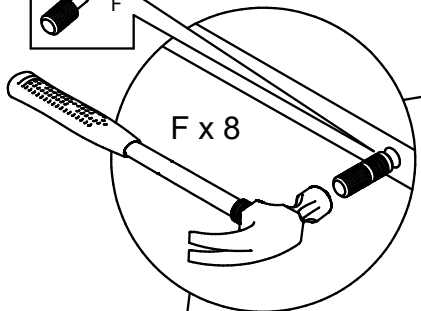
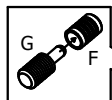
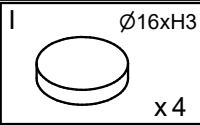
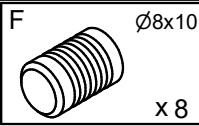
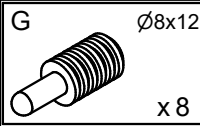
IIIX.



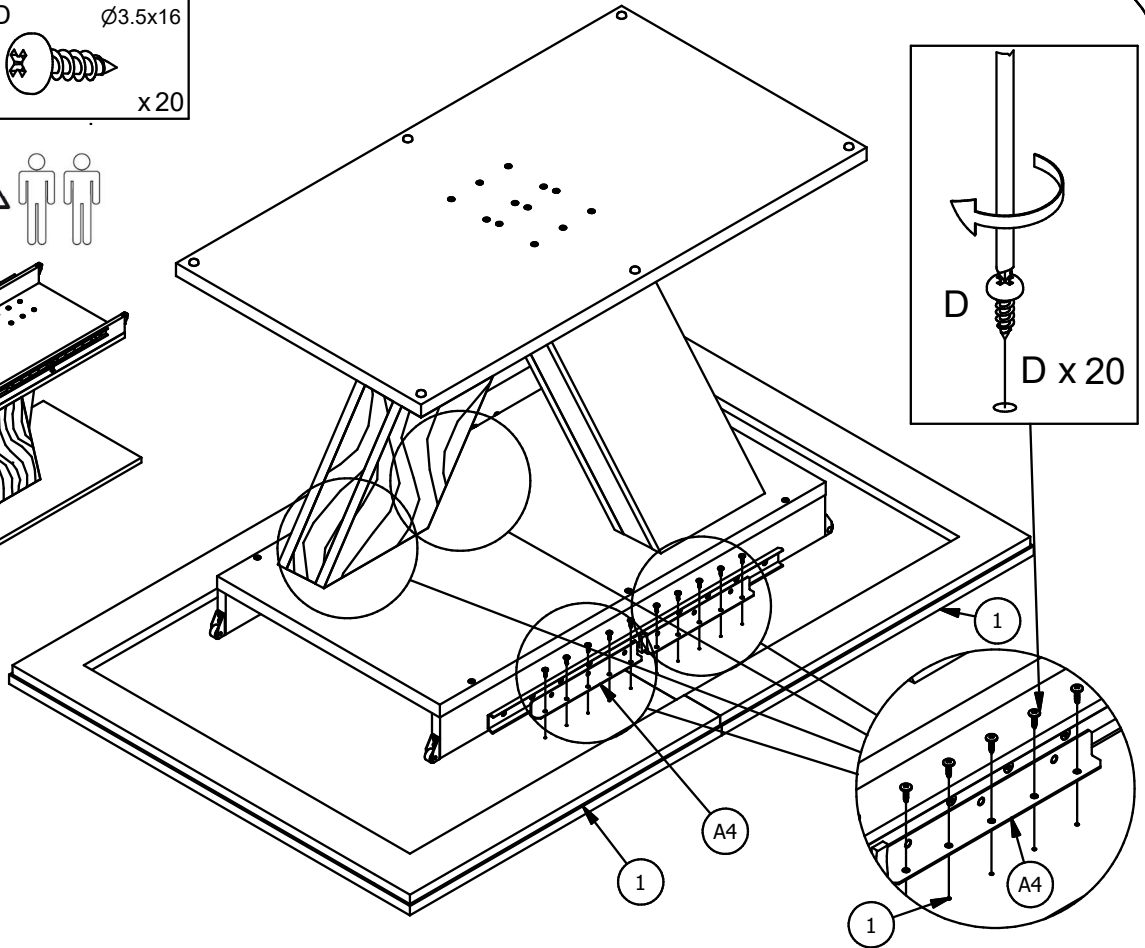
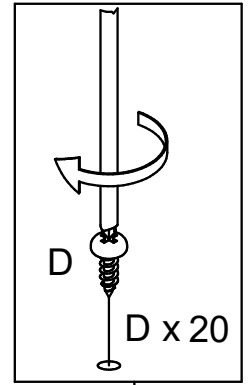
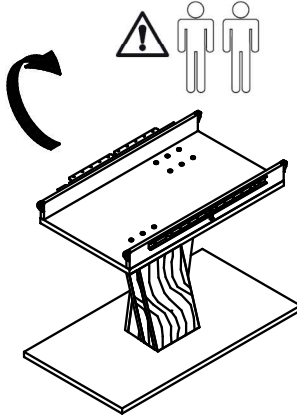
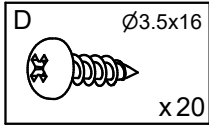
IX.



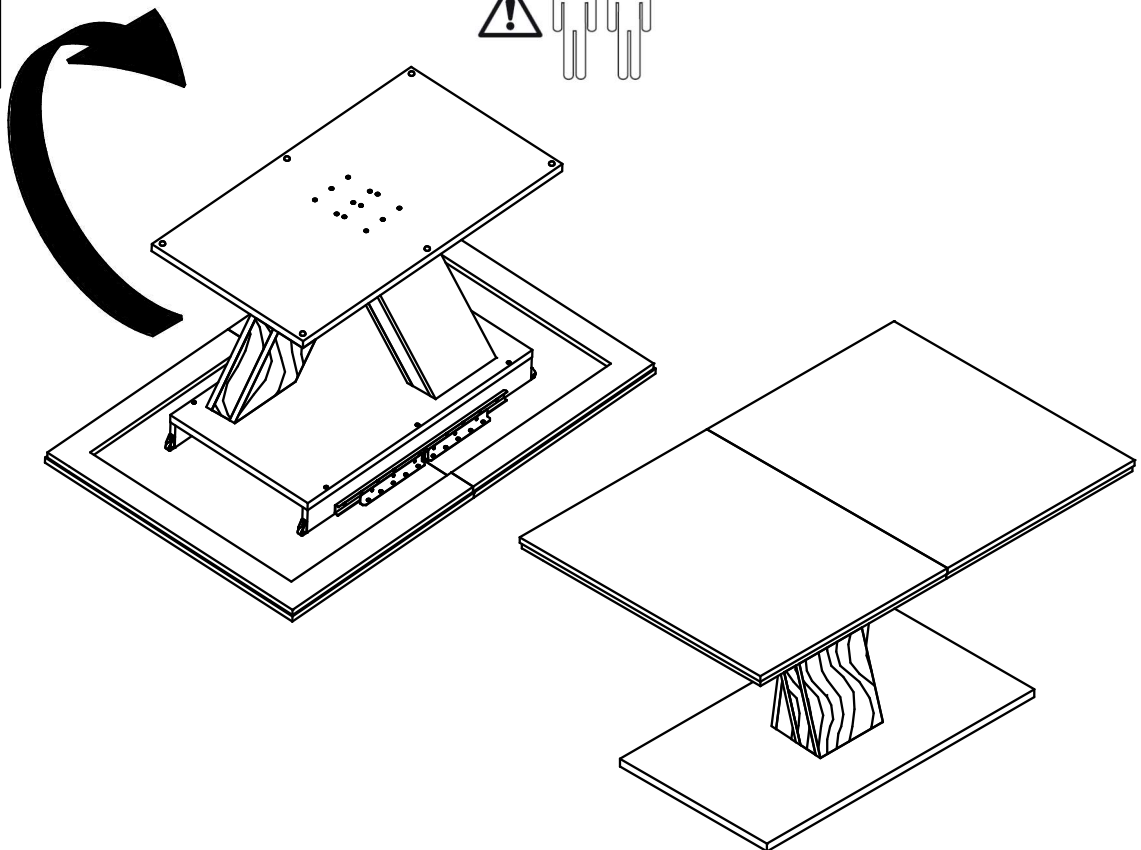
X.



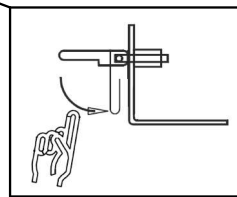
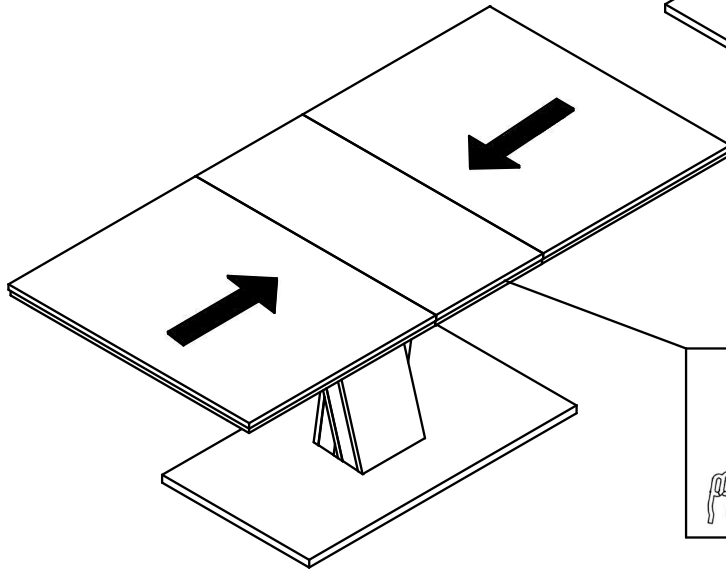
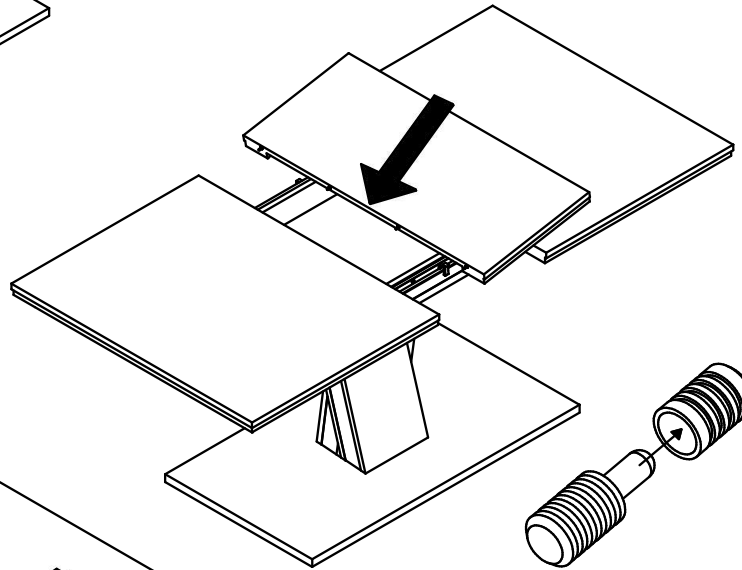
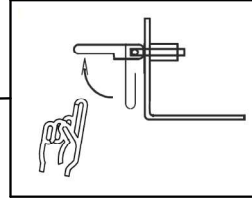
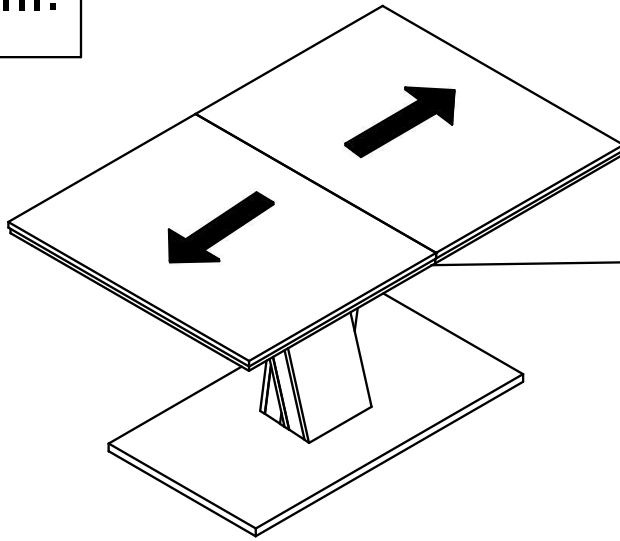
XI.



XII.



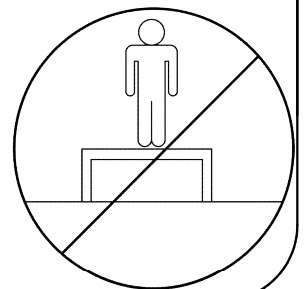
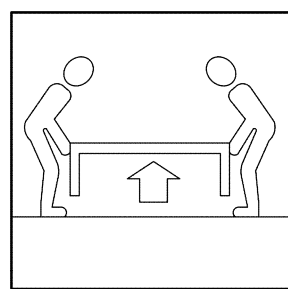
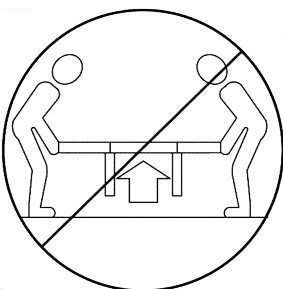
XIII.



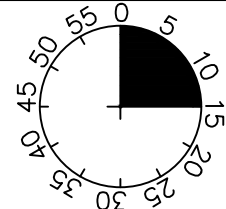
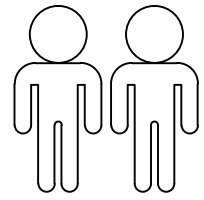
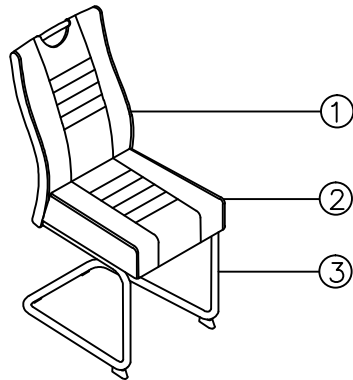
LE TRI
+ FACILE



Séparez les éléments avant de trier



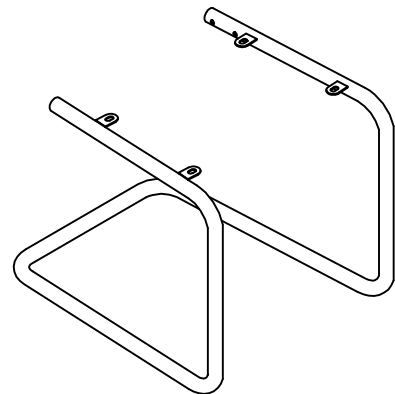
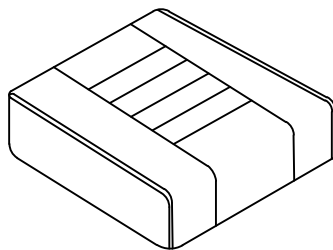
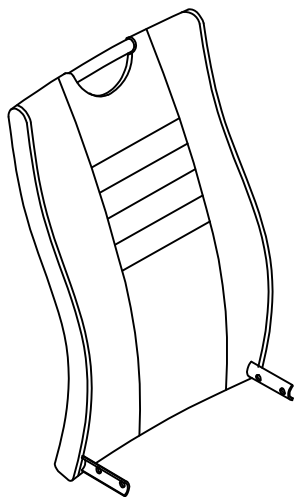
Jupiter



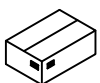
1

2

3



| | |
|---|----|
| 1 | 1x |
| 2 | 1x |
| 3 | 1x |



1/1

| | | | | | | | | | | | |
|----------|-------|----------|-------|----------|------------|----------|------------|----------|----|----------|-----|
| A | M6x20 | B | M8x20 | C | Ø18xØ8x1.5 | D | Ø18xØ6x1.5 | E | M8 | F | 4MM |
| | 4x | | 4x | | 4x | | 4x | | 4x | | 1x |
| G | 6MM | H | M4x20 | I | | | | | | | |
| | 1x | | 4x | | 2x | | | | | | |

1.

1

H M4x20
4x

I 2x

100%

2

B M8x20
4x

C Ø18xØ8x1.5
4x

E M8
4x

G 6MM
1x

75%

3

A M6x20
4x

D Ø18xØ6x1.5
4x

F 4MM
1x

75%

4

F 4MM
1x

G 6MM
1x

100%

LE TRI + FACILE

BAC DE TRI

Séparez les éléments avant de trier