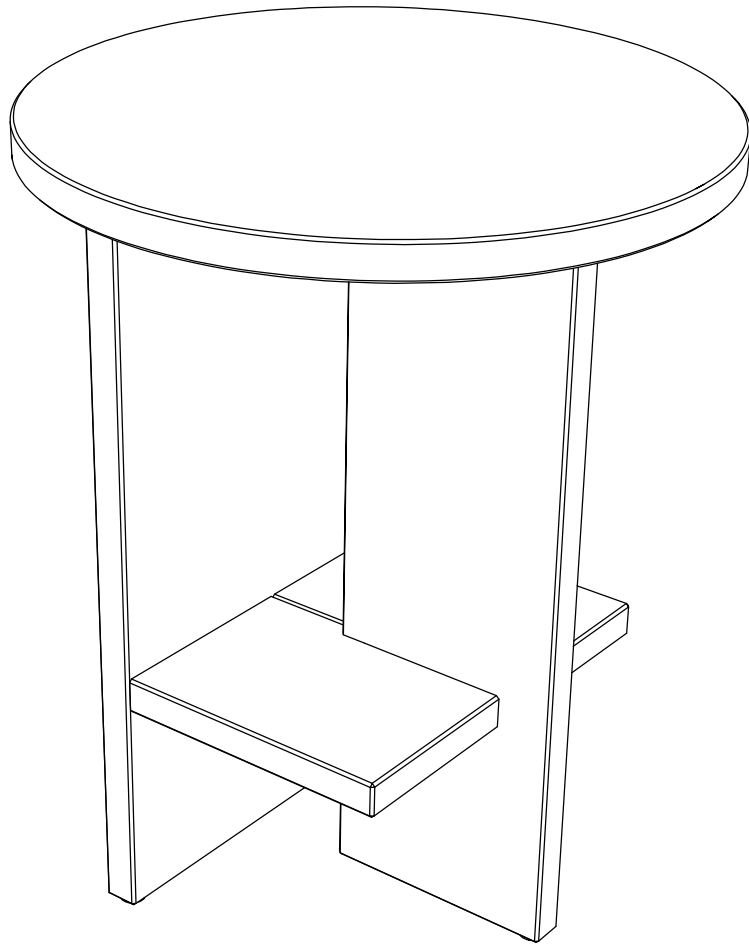


Assembly instruction



Rondure Table 45

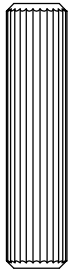


karup

DESIGN

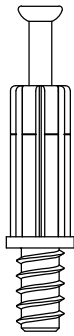
FITTINGS

A x 12



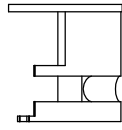
Ø8 x
35mm

B x 13



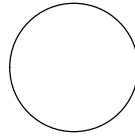
Ø6,5 x
34mm

C x 13



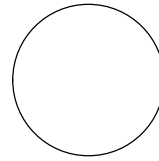
Ø15 x
15,5mm

D x 3

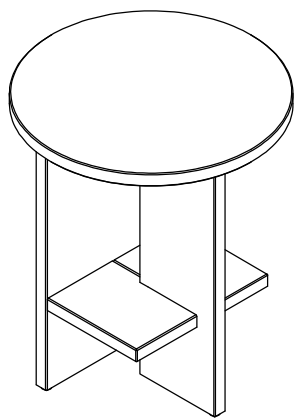


Ø17x
3mm

E x 5



Ø20x
0,5mm



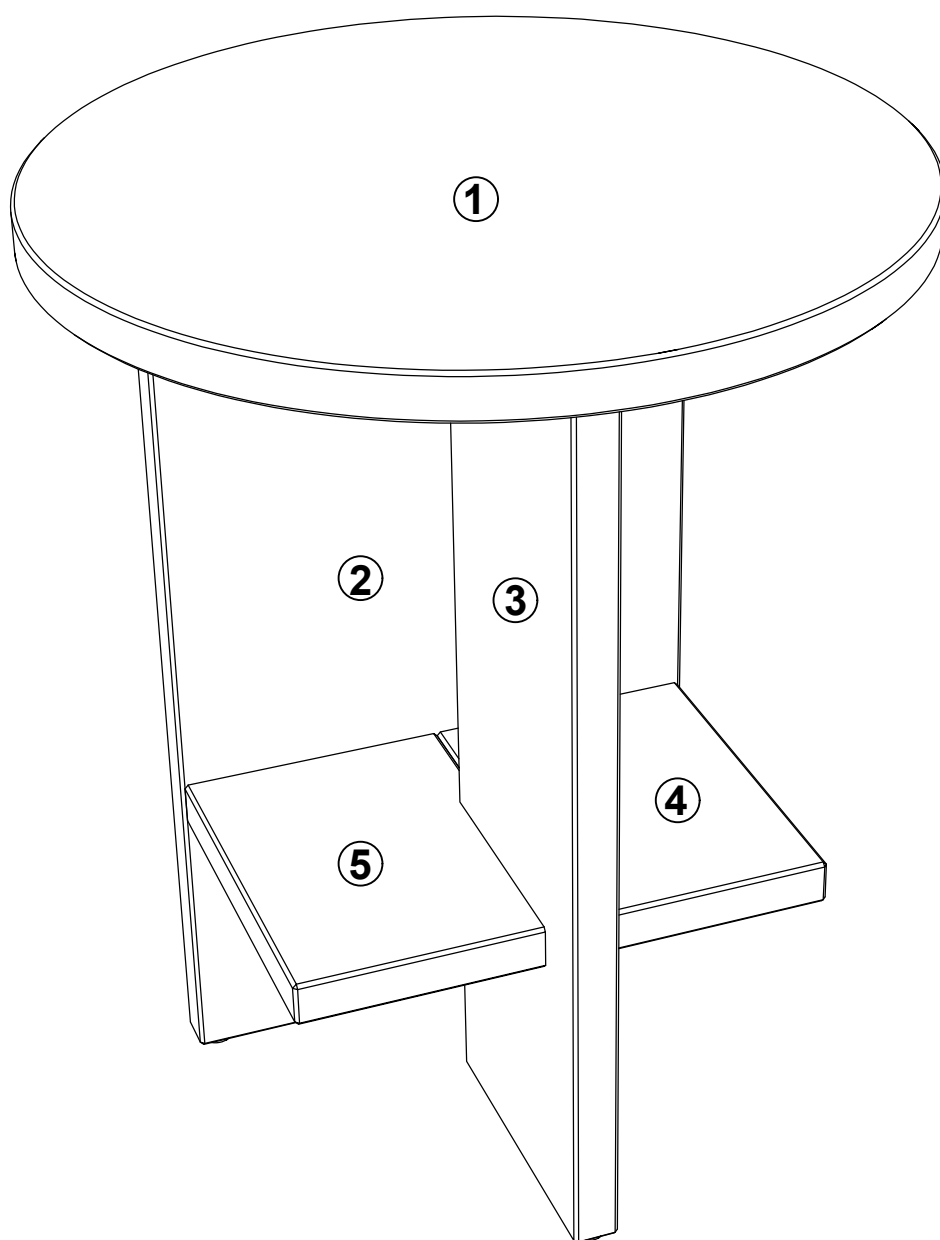
1 x ①

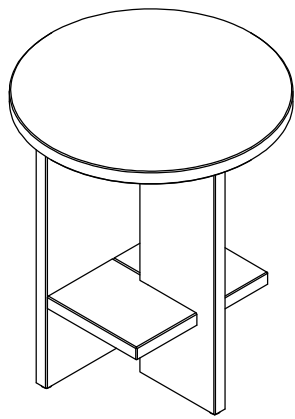
1 x ②

1 x ③

1 x ④

1 x ⑤





A x 12

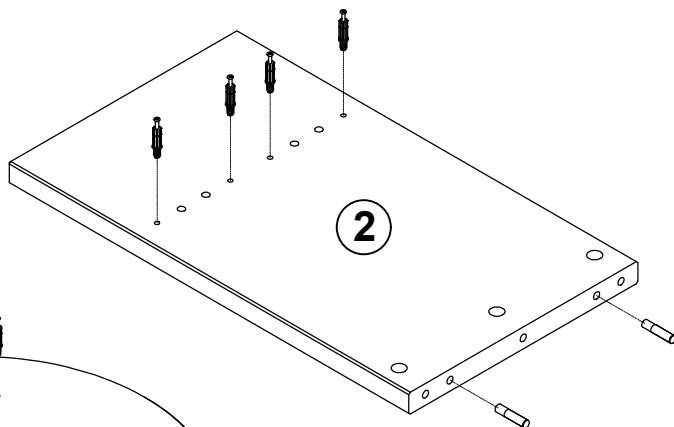
B x 13



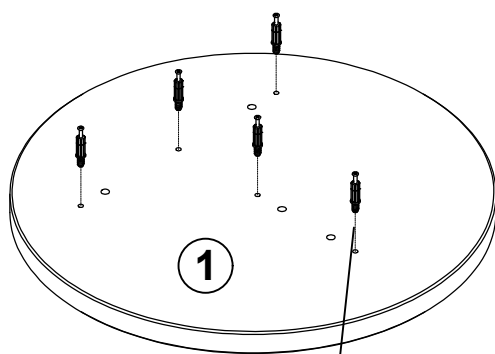
Ø8 x
35mm



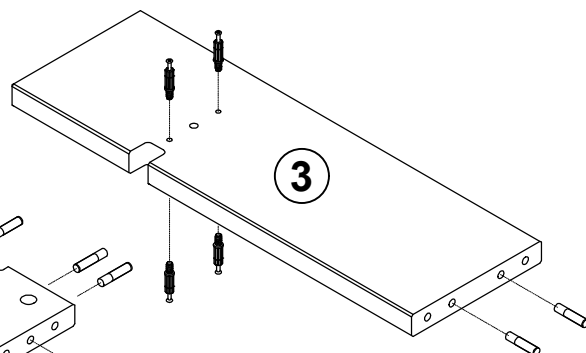
Ø6,5 x
34mm



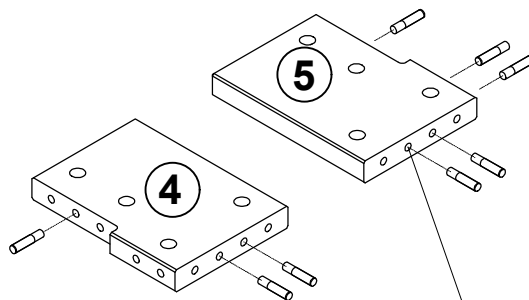
2



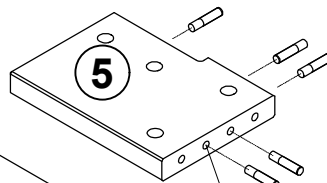
1



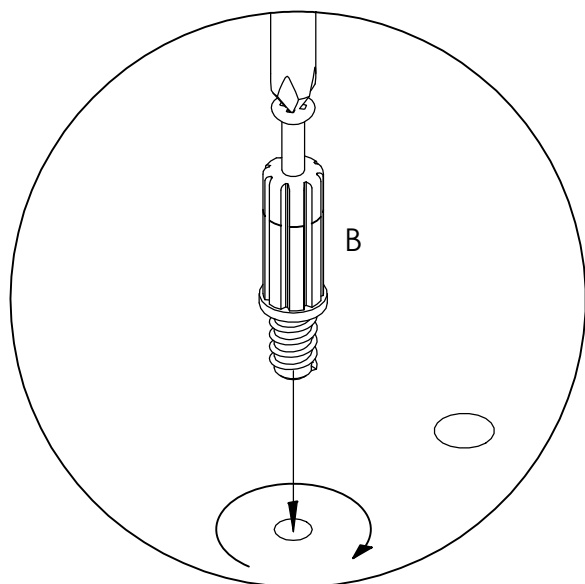
3



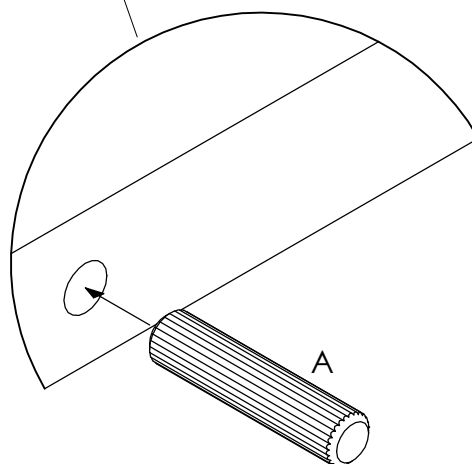
4



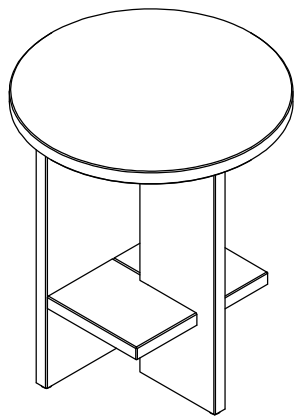
5



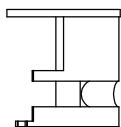
B



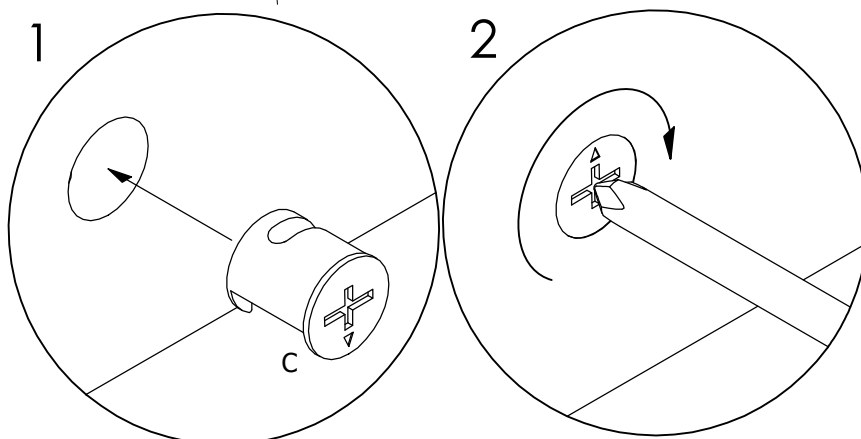
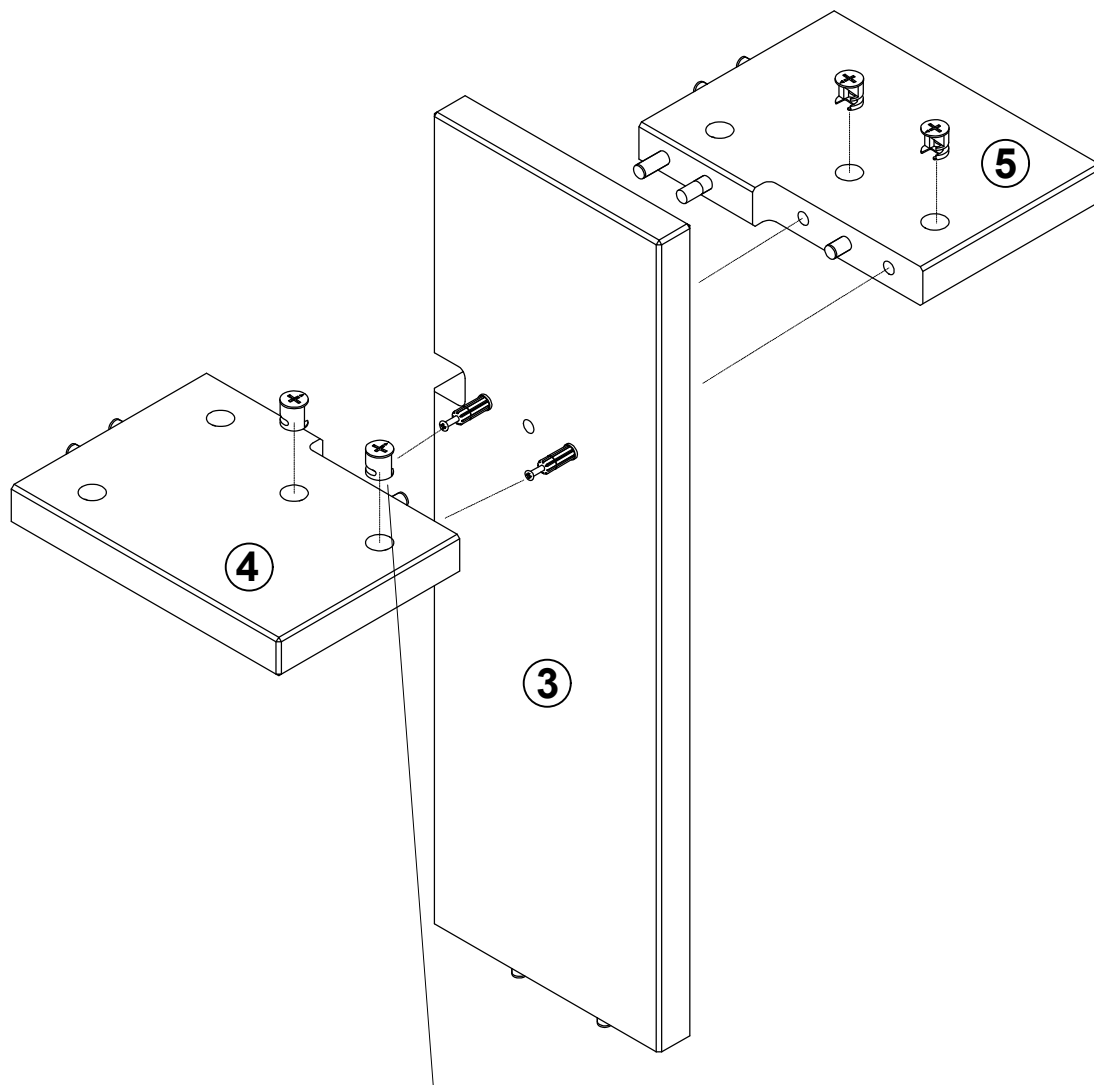
A

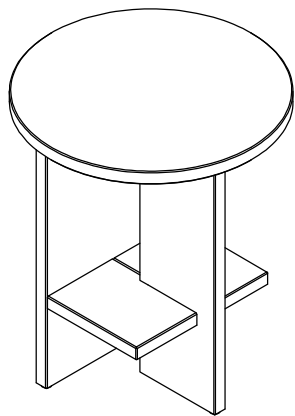


C x 4

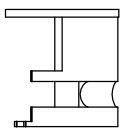


Ø15 x
15,5mm

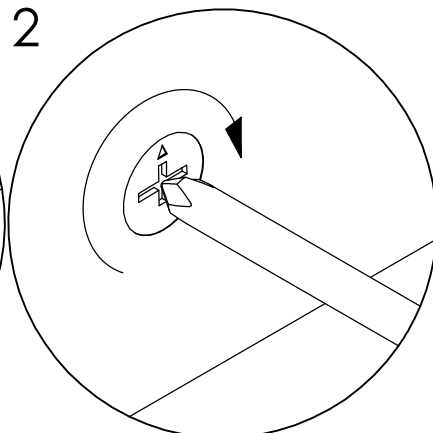
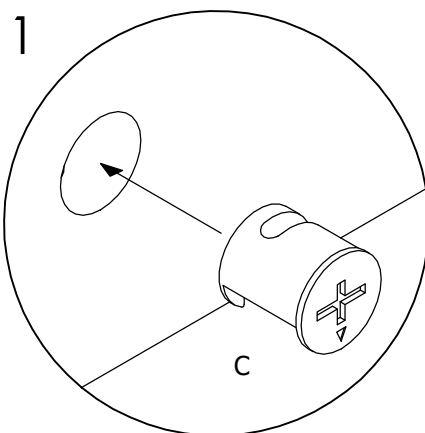
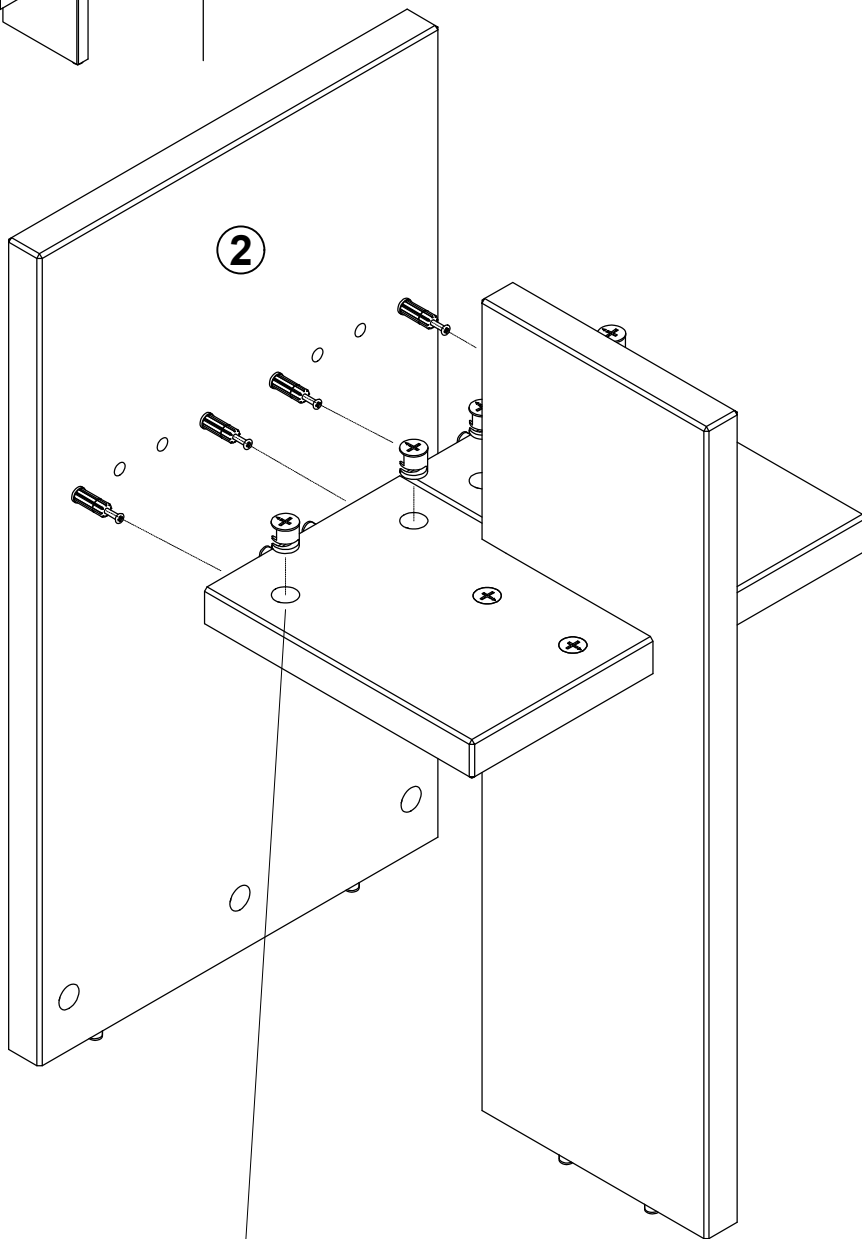


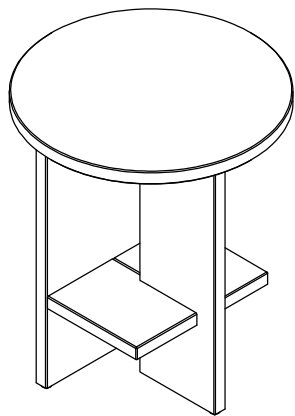


C x 4

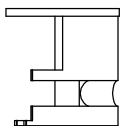


Ø15 x
15,5mm



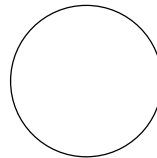


C x 5



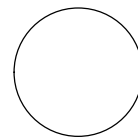
Ø15 x
15,5mm

E x 5

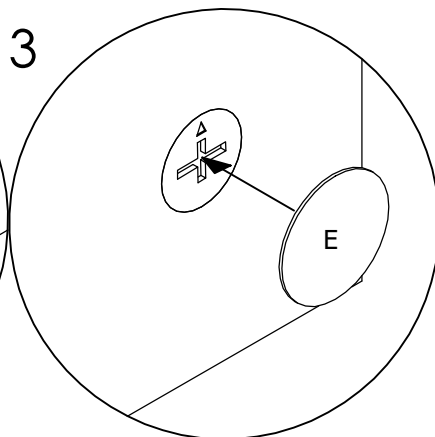
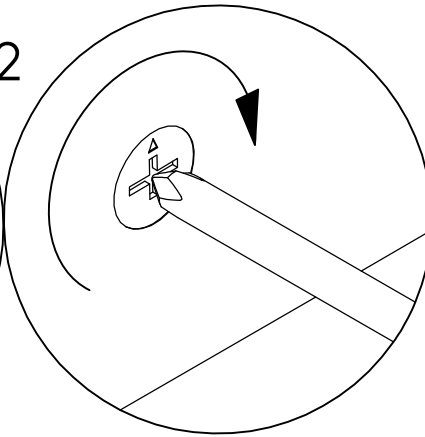
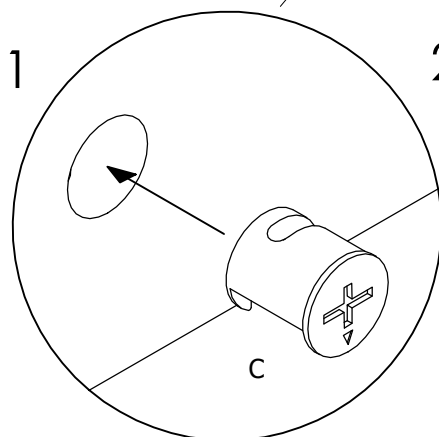
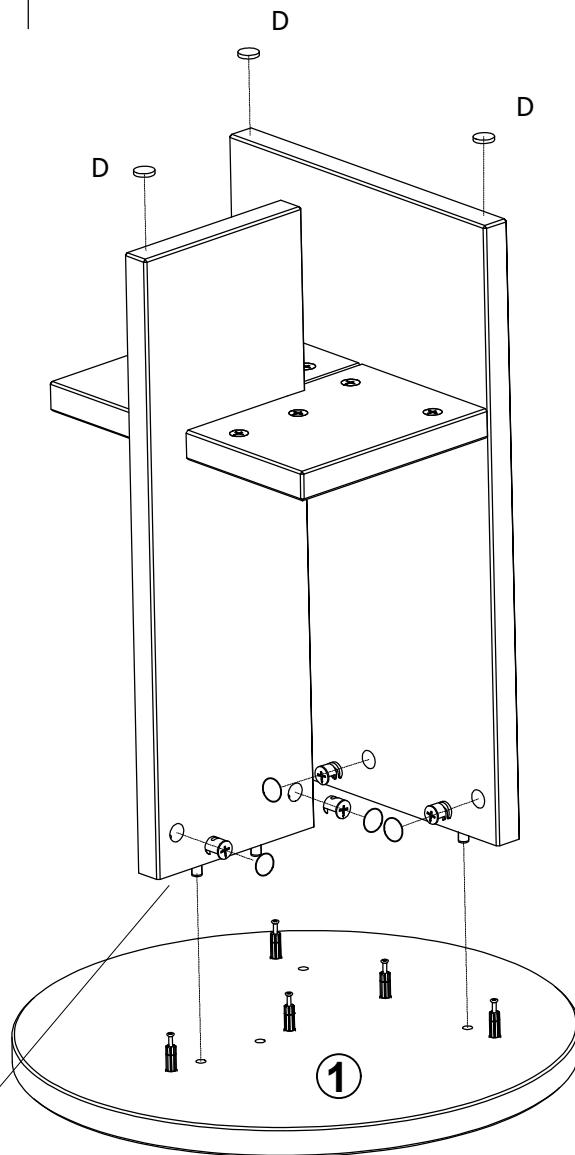


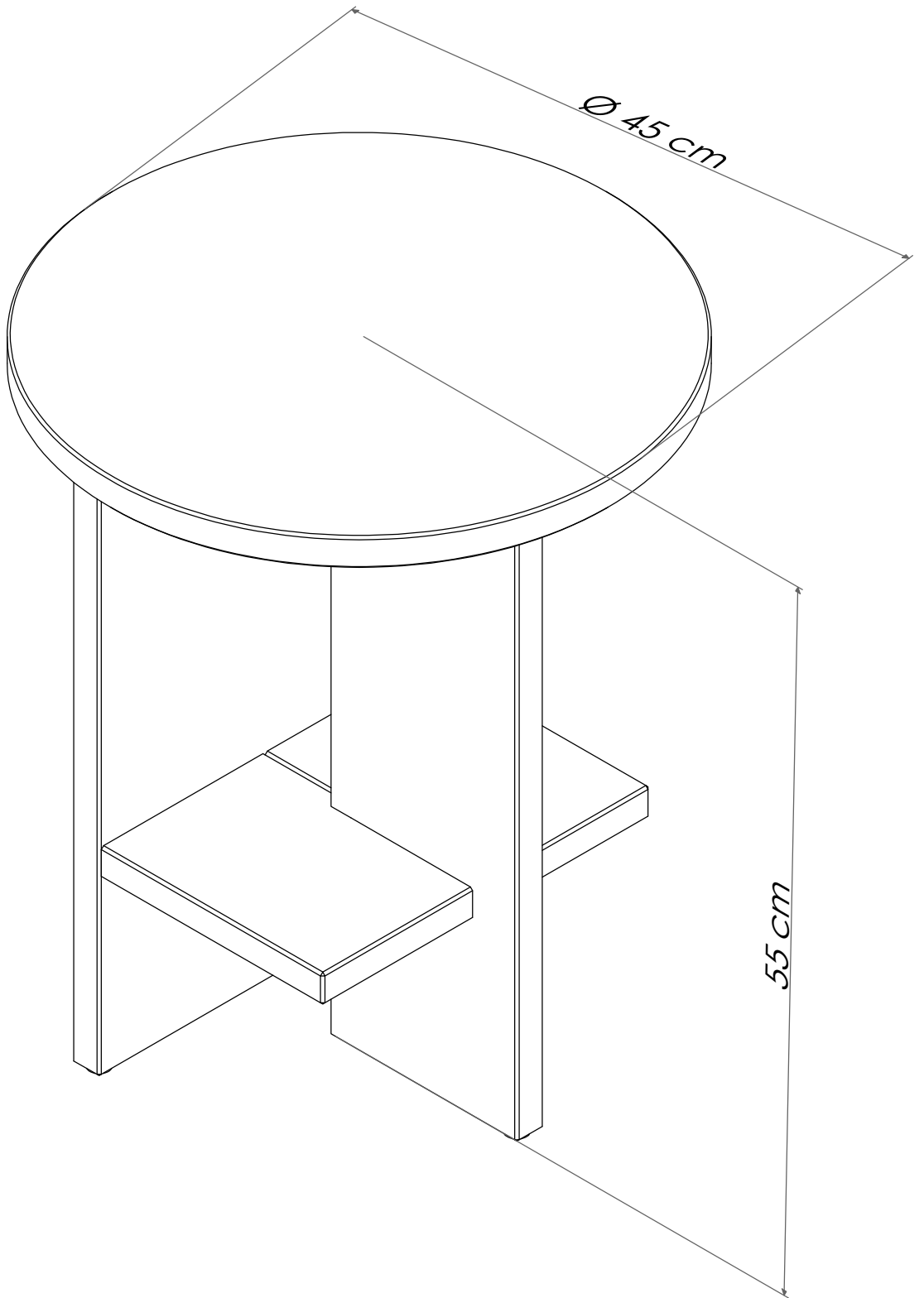
Ø20x
0,5mm

D x 3



Ø17x
3mm





karup
DESIGN

SHARE YOUR MOMENTS **#karupdesign #karuplifestyle**

karupdesign.com