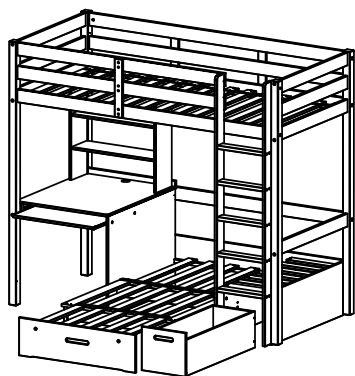
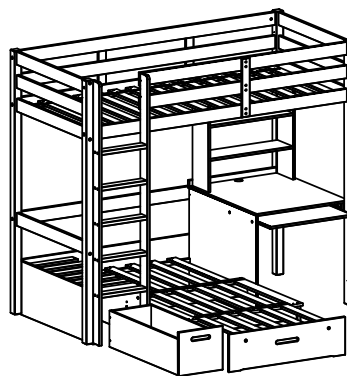


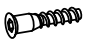

























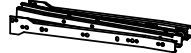
A

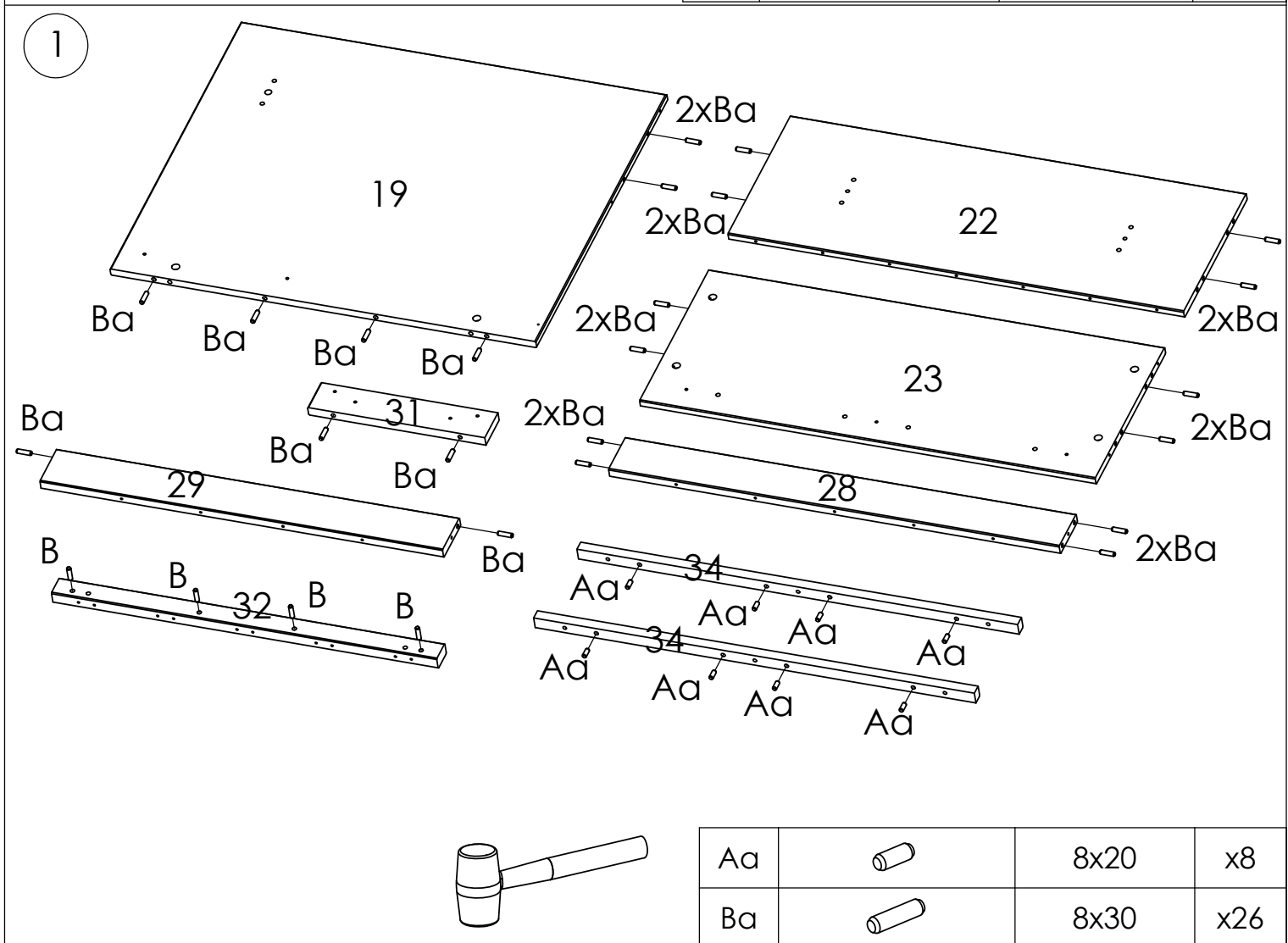


B



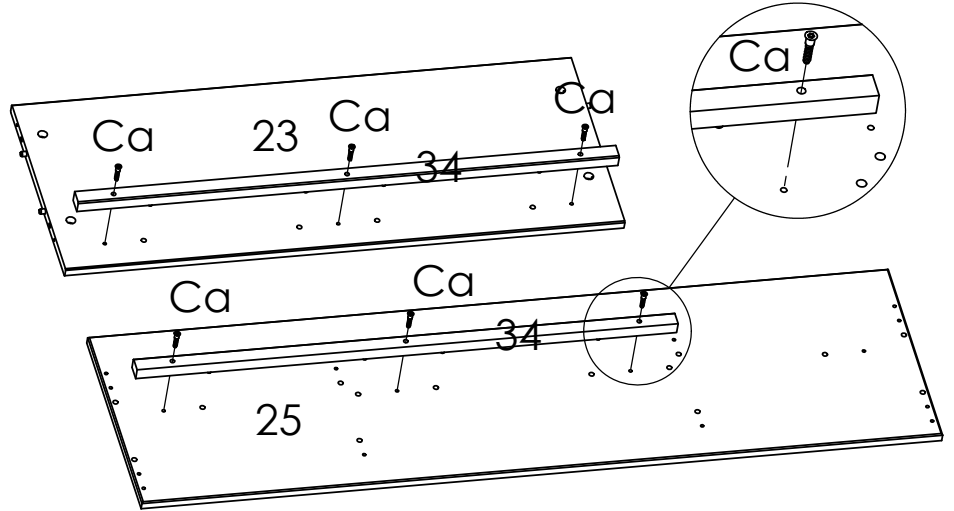
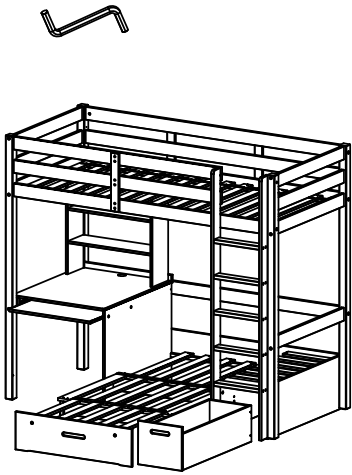
Aa		8x20	x8
Ba		8x30	x38
Ca		7x30	x6
E		7x50	x4
Ea		M6x35	x2
Fa		M6x8x15x15	x2
Ga		7x34	x18
Ha		15x12	x18
G		5x38	x31
Ja		5x50	x4
Ka		21x21x16	x2
La		3,5x15	x4
Ma		3x20	x4

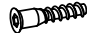
Q		3,5x40	x19
Oa		3,5x16	x21
J		4x30	x4
Ra		D19x6	x4
P		D13	x4
Z		D20	x2
M		D4x13	x3
O		D15x18	x2
V		D26	x2
Qa		D35	x4
W		11/5,8x6,5	x4
WS		11/6,2x9	x8
T		4mm	x2
Y		350	x1



2a

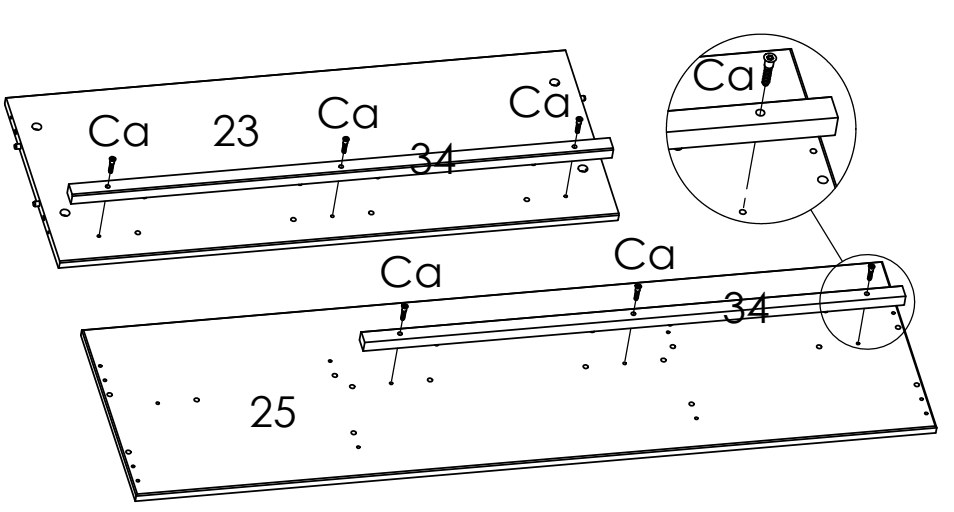
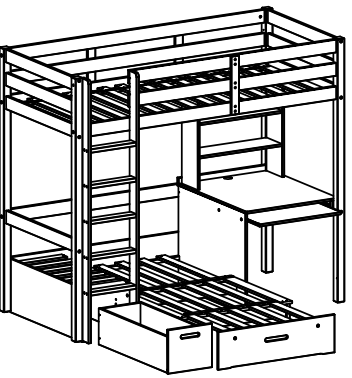
A



Ca		7x30	x6
----	---	------	----

2b

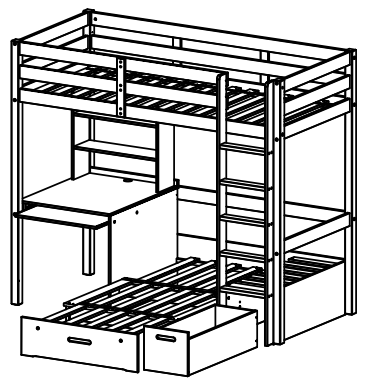
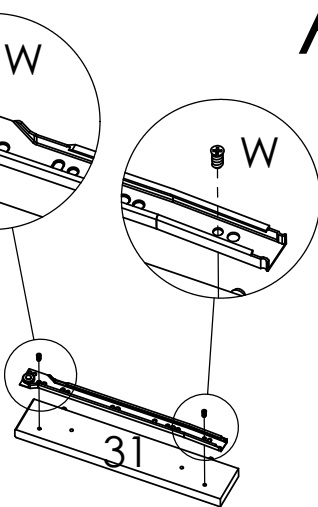
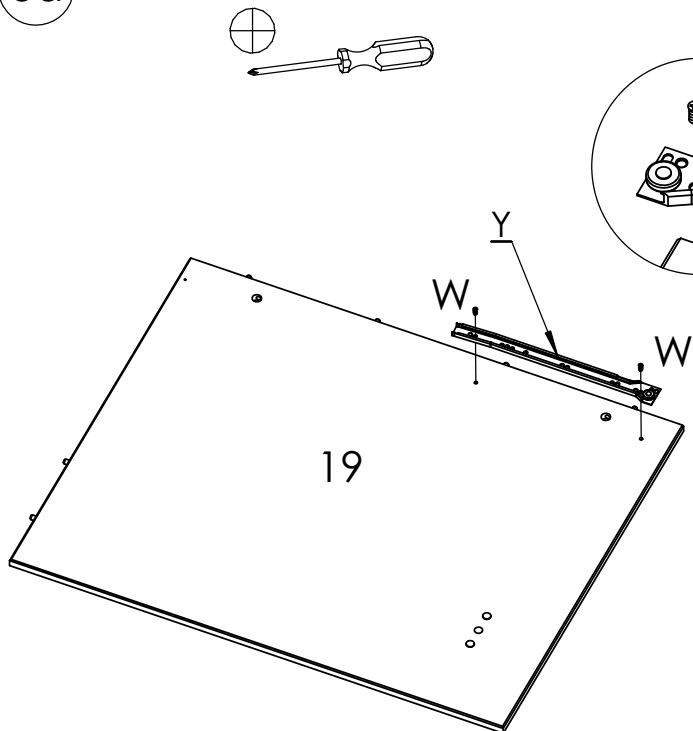
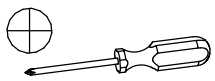
B





Ca		7x30	x6
----	---	------	----

3a

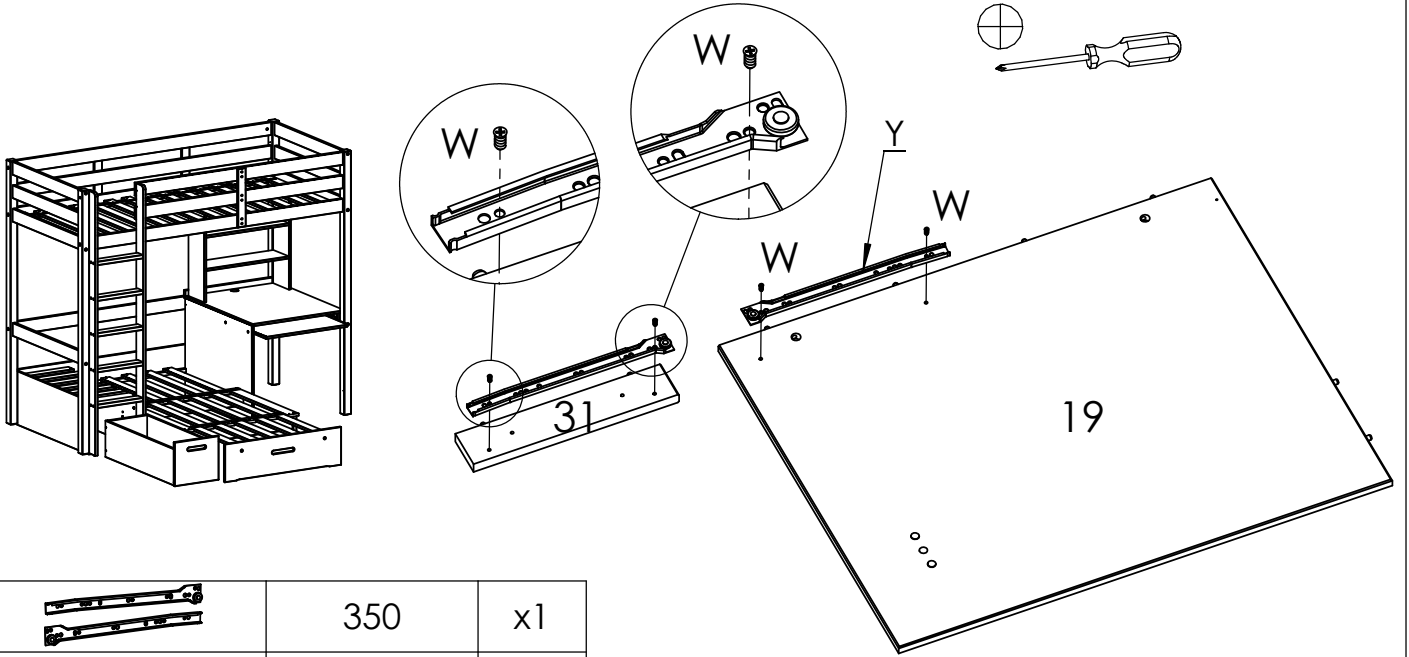
A



Y		350	x1
W		11/5,8x6,5	x4

3b

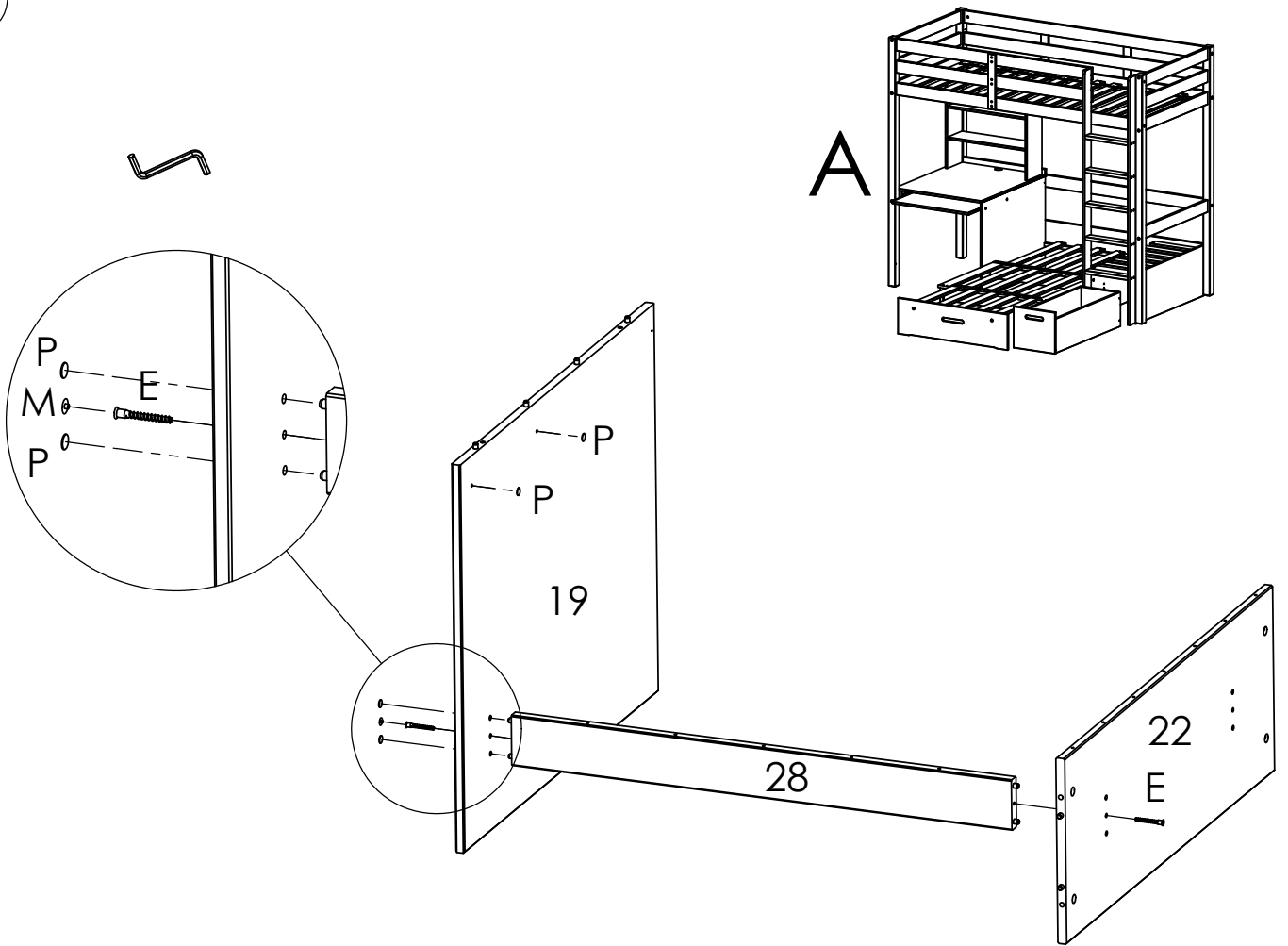
B



Y		350	x1
W		11/5,8x6,5	x4

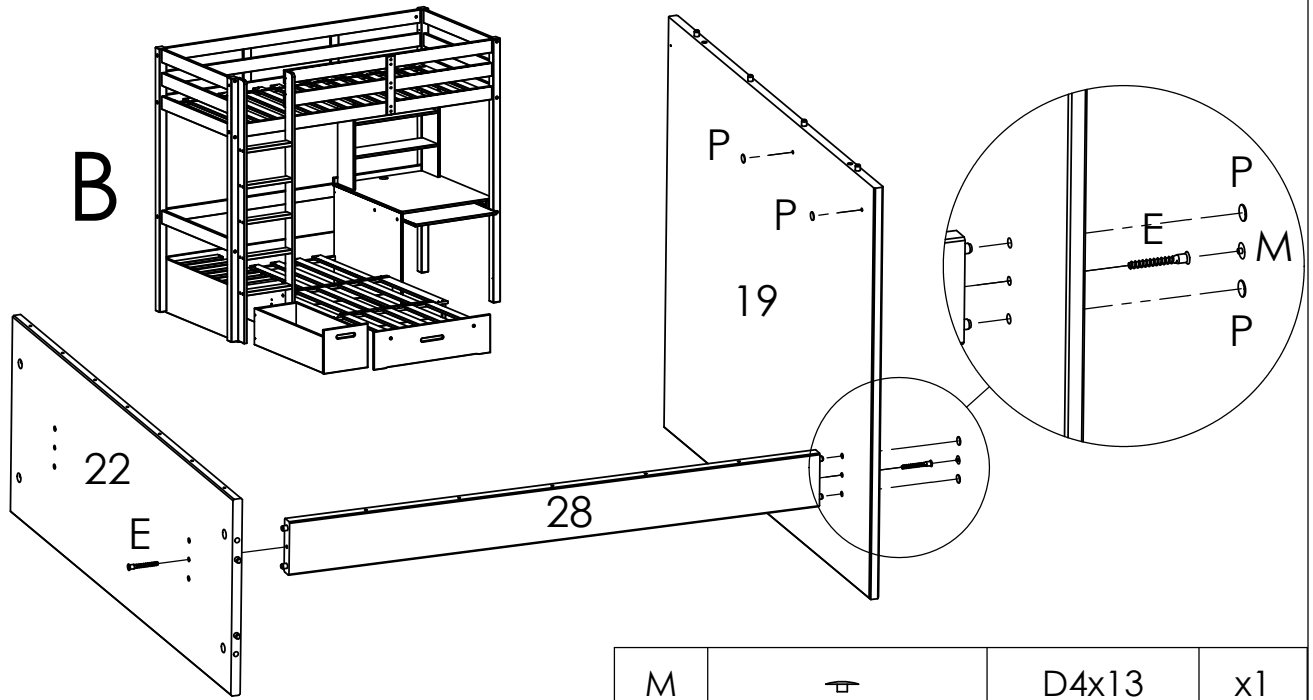
4a

A



E		7x50	x2
M		D4x13	x1
P		D13	x4

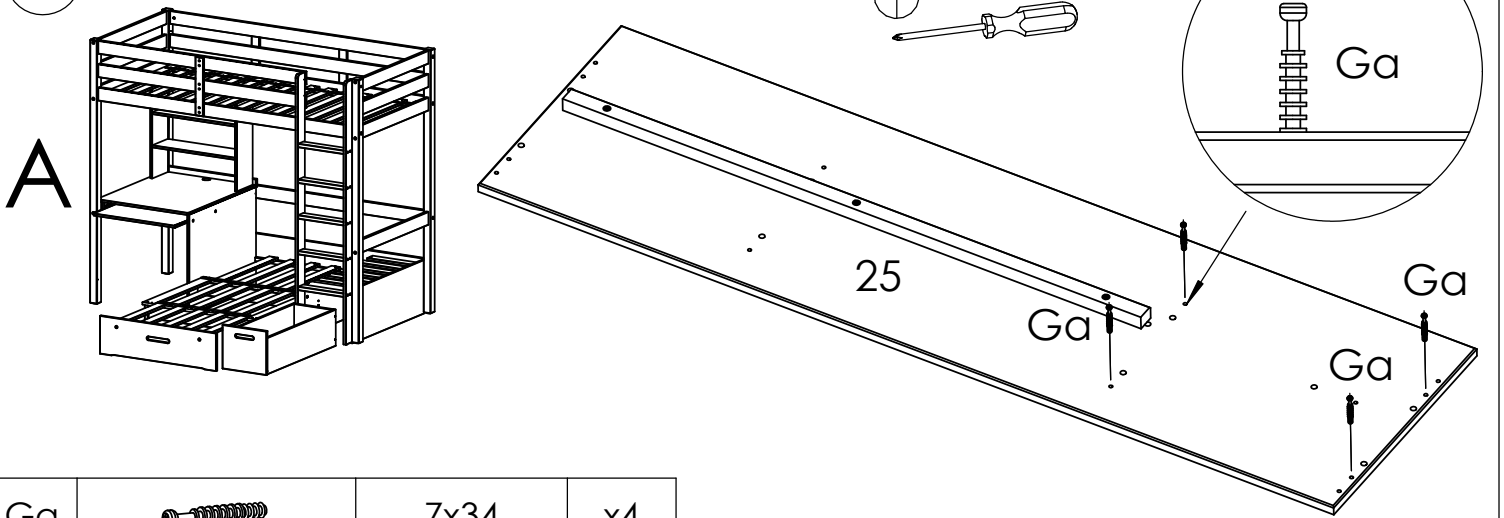
4b



M		D4x13	x1
P		D13	x4

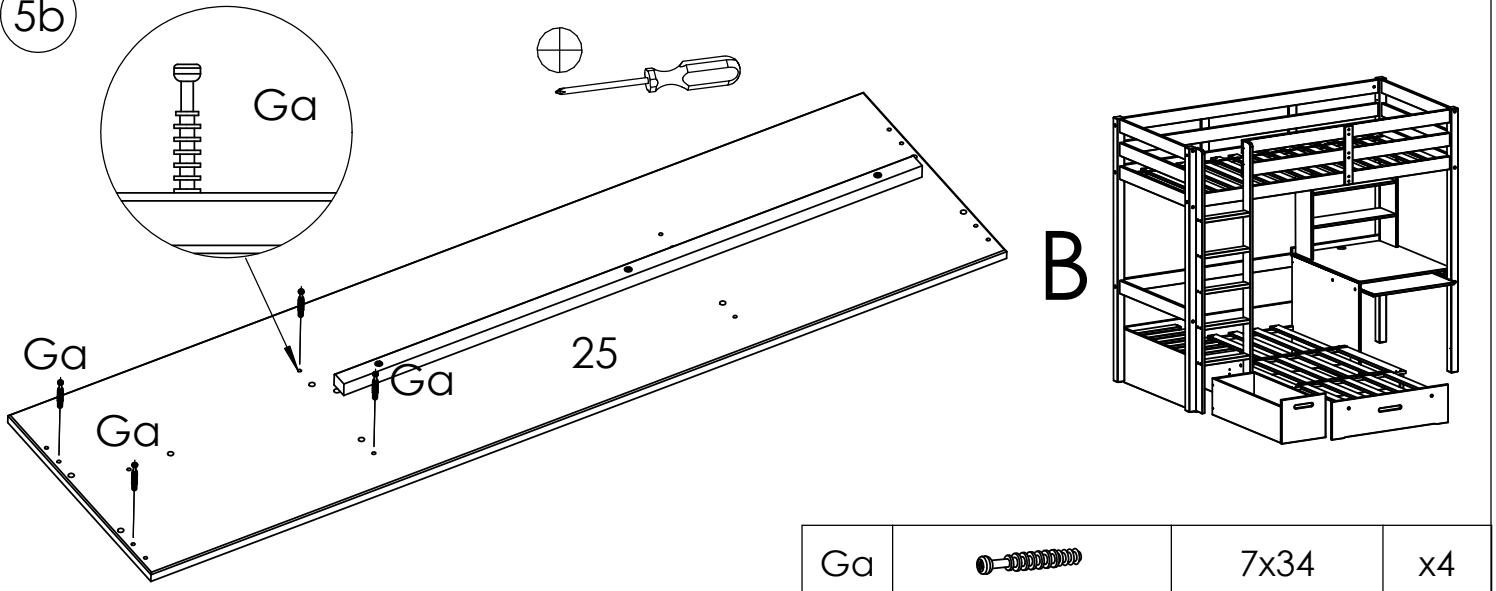
E		7x50	x2
---	--	------	----

5a

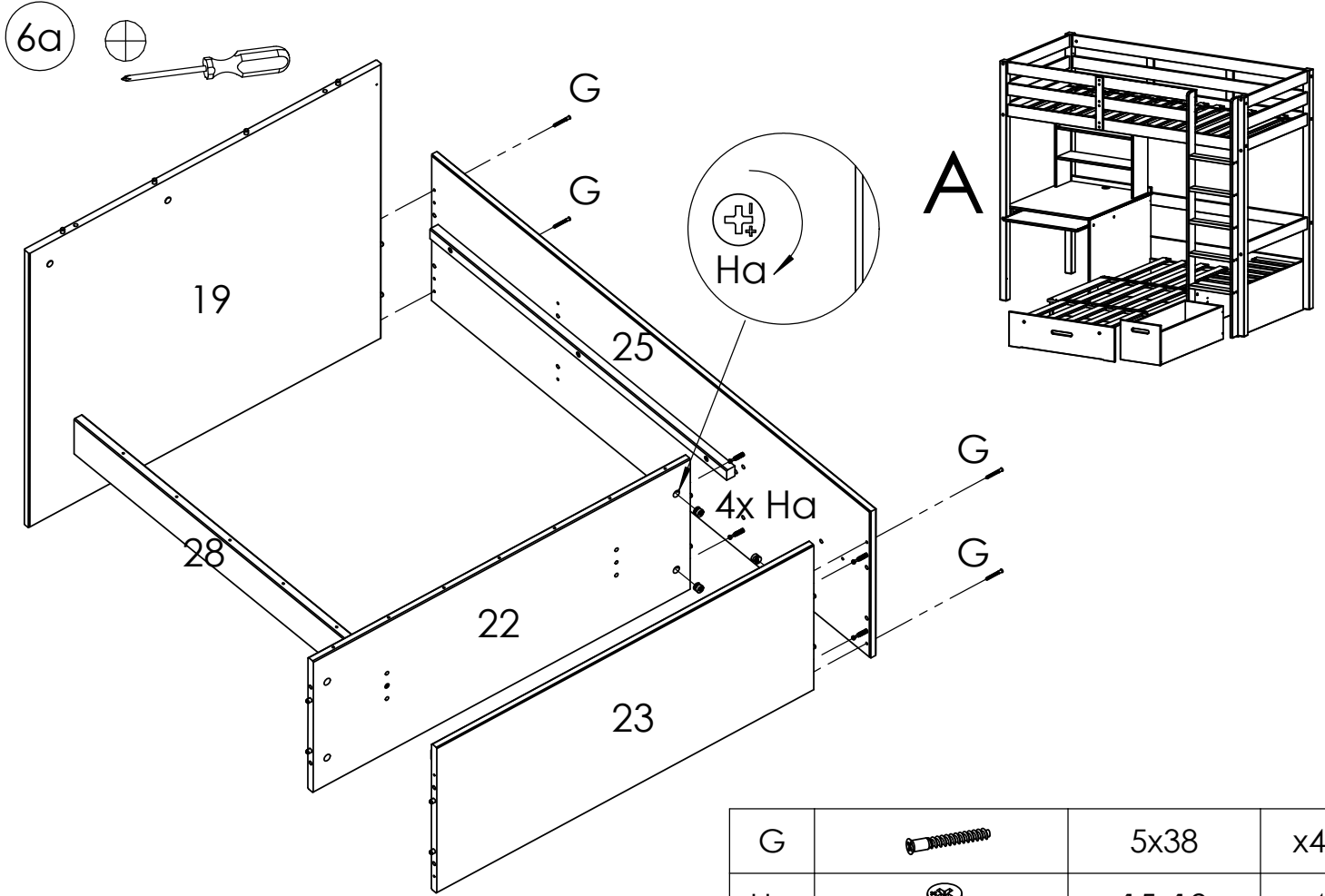




Ga		7x34	x4
----	--	------	----

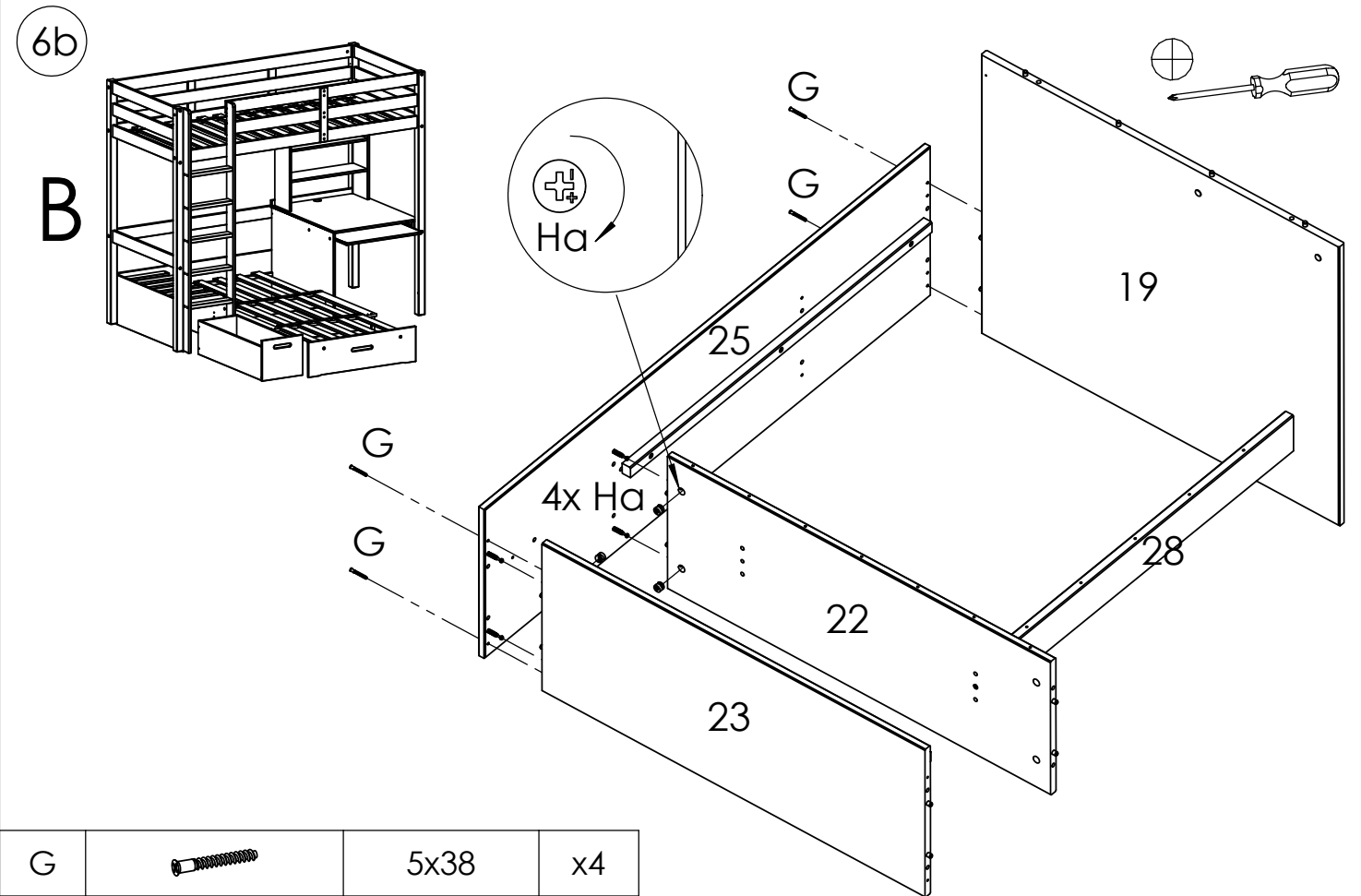
5b





Ga		7x34	x4
----	--	------	----



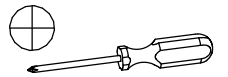
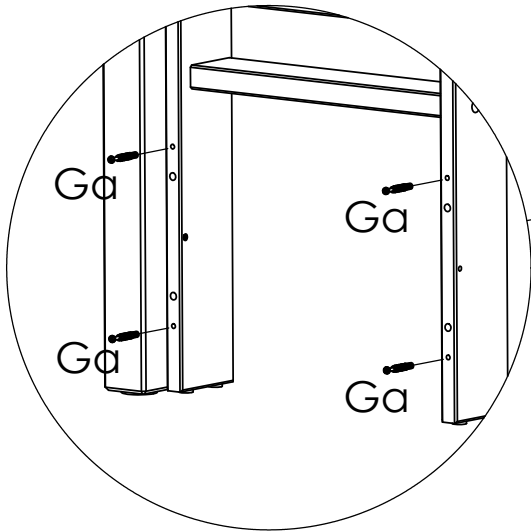
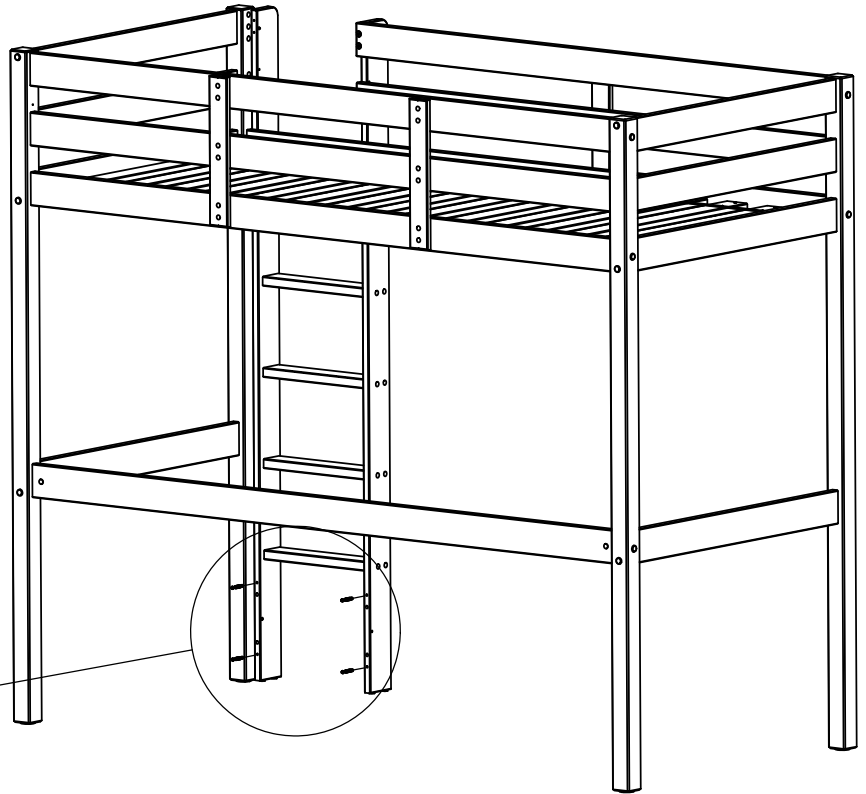
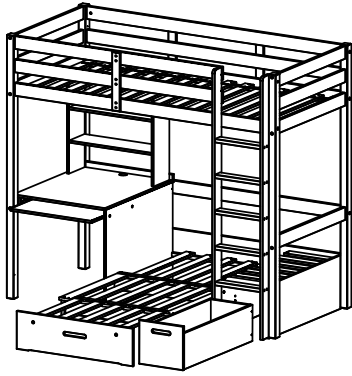
G		5x38	x4
Ha		15x12	x4




G		5x38	x4
Ha		15x12	x4

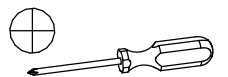
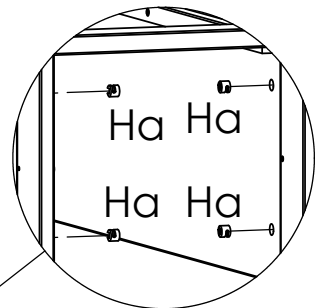
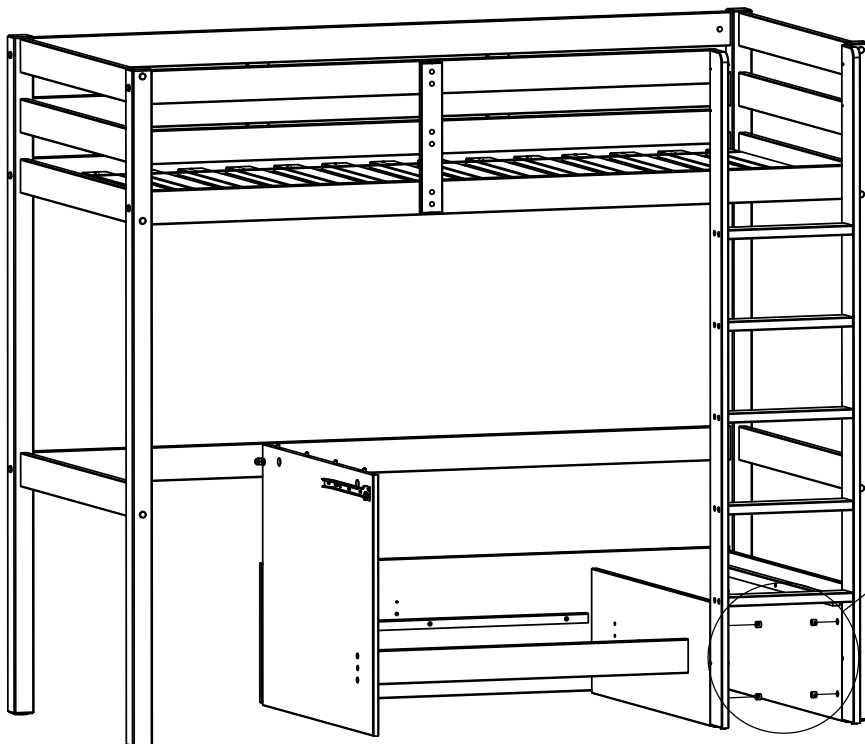
7


A



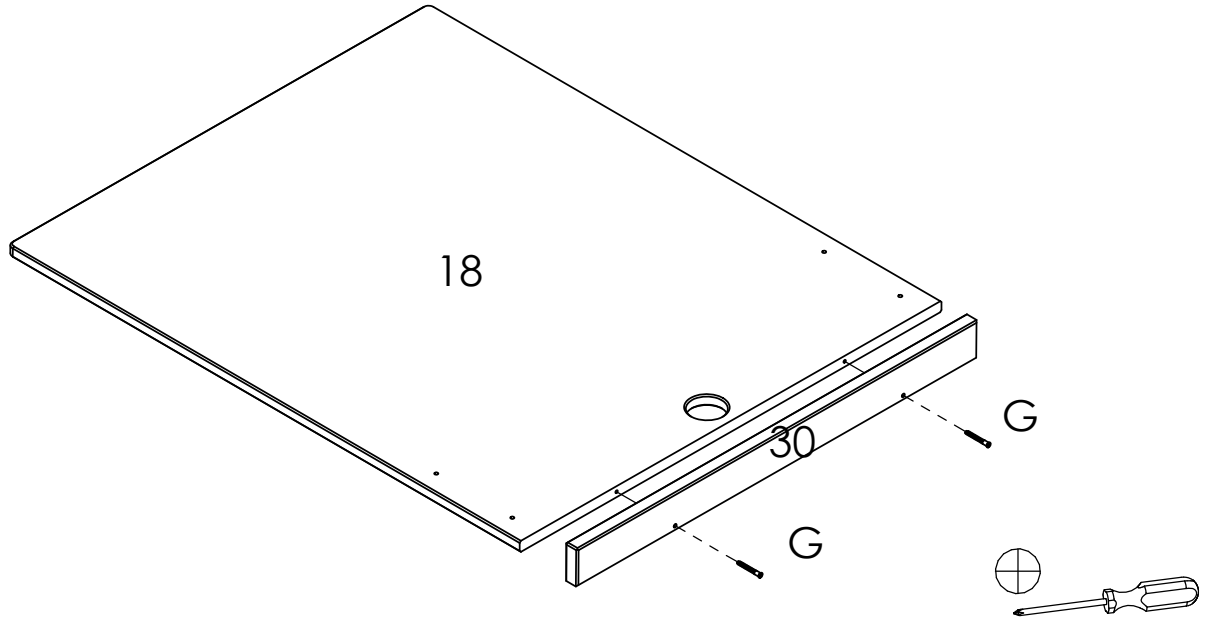
Ga		7x34	x4
----	---	------	----


8



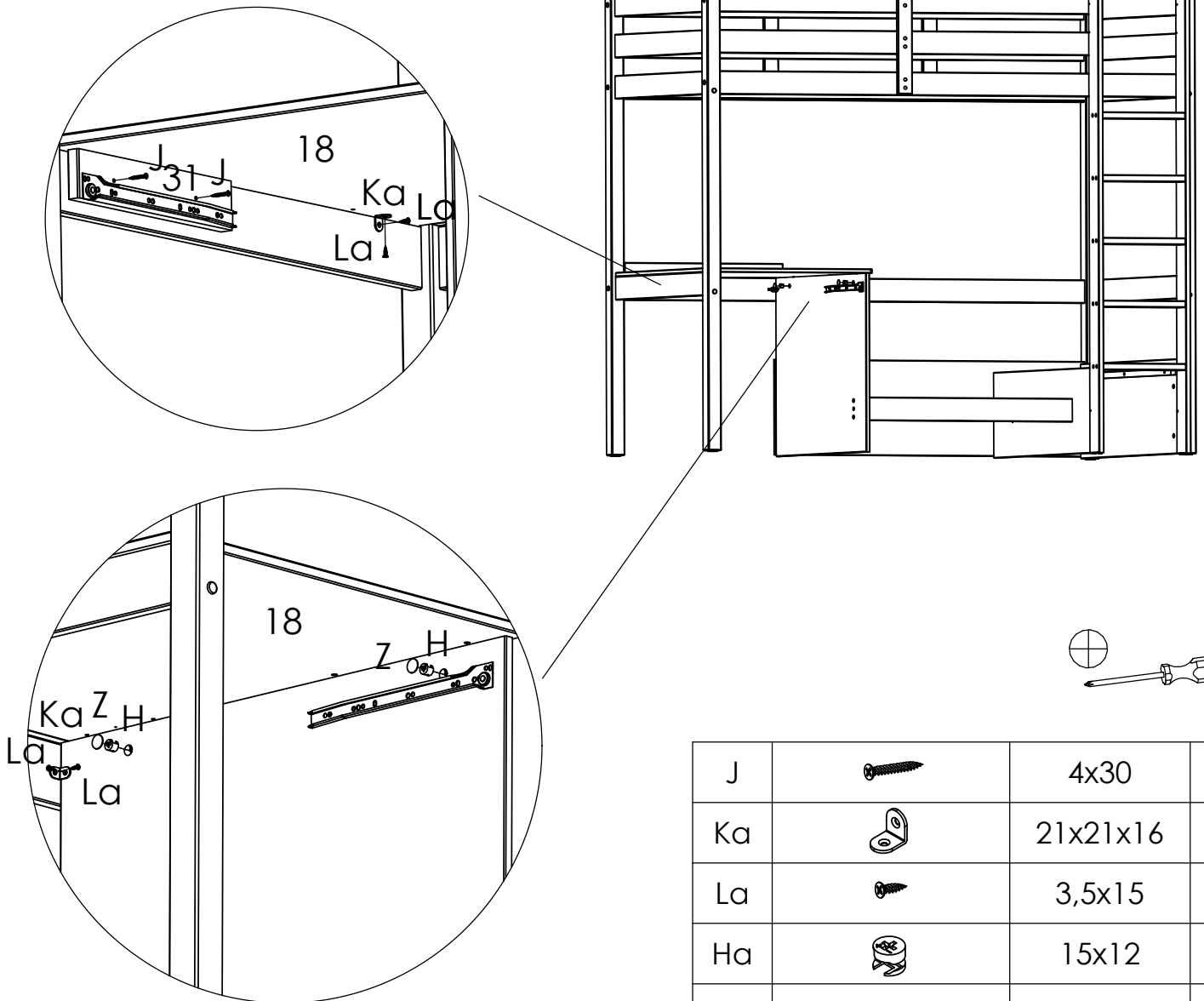
Ha		15x12	x4
----	---	-------	----






9



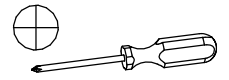
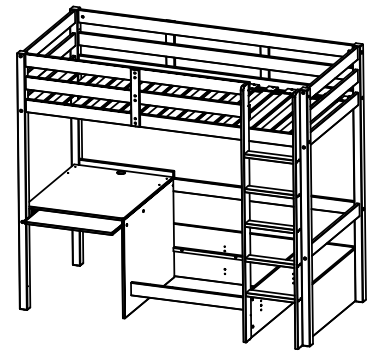
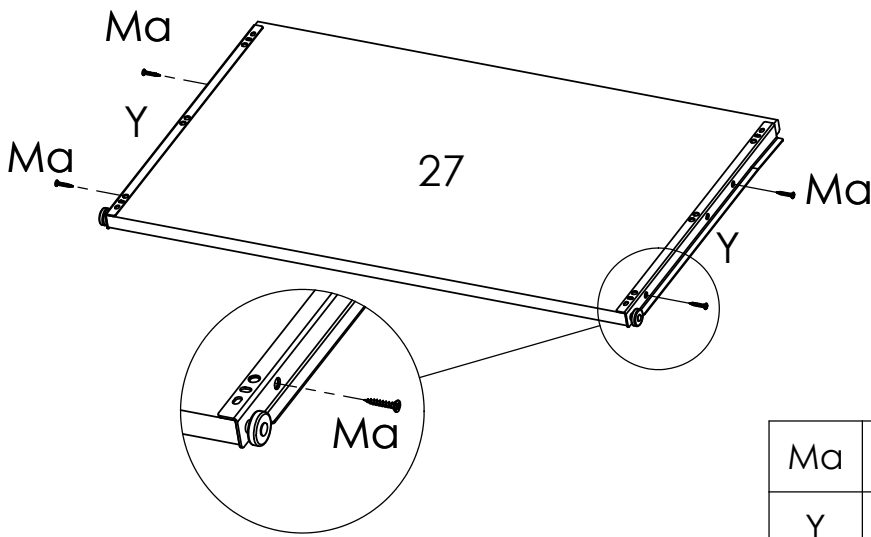
G		5x38	x2
---	---	------	----



10



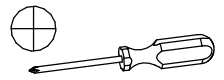
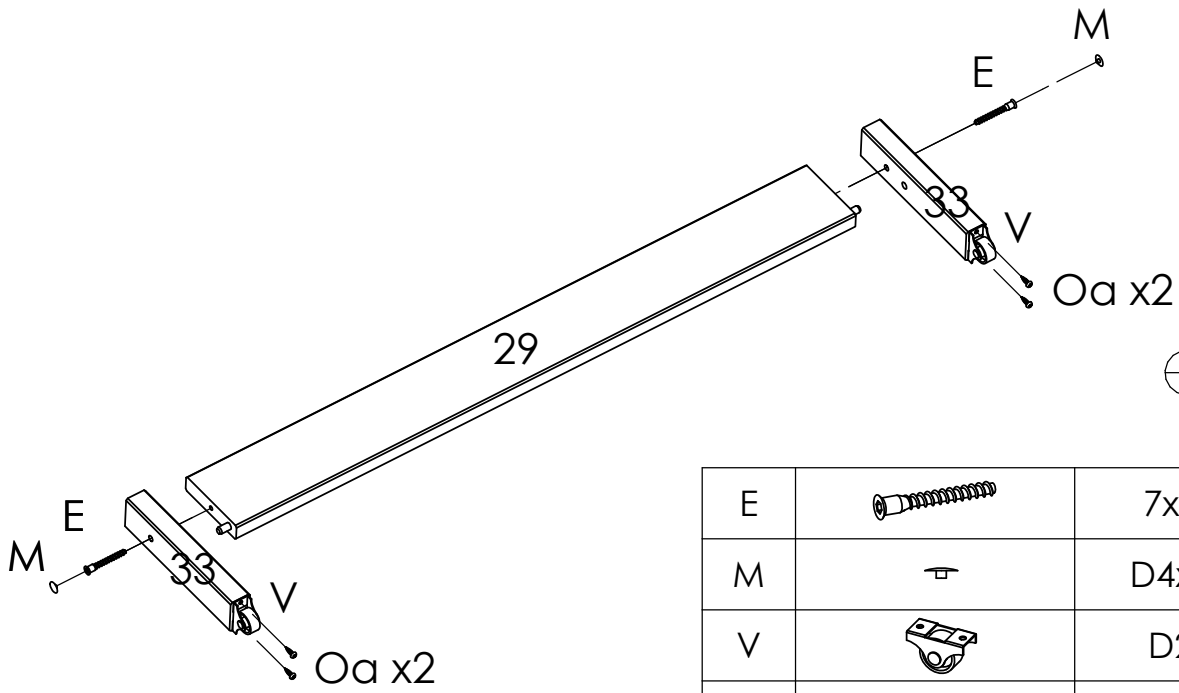
J		4x30	x2
Ka		21x21x16	x2
La		3,5x15	x4
Ha		15x12	x2
Z		D20	x2





11



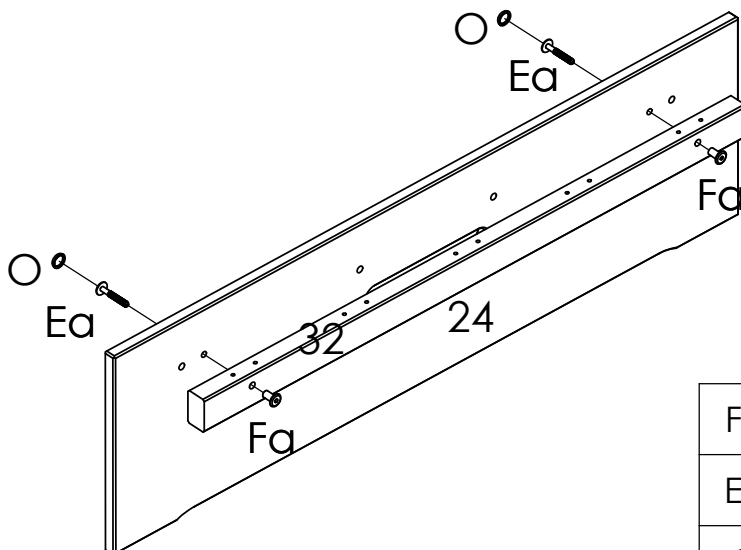
Ma		3x20	x4
Y		350	x1




12



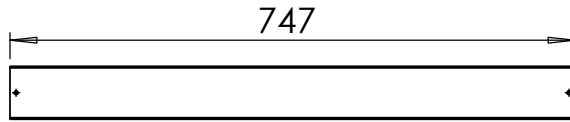
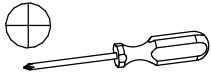
E		7x50	x2
M		D4x13	x2
V		D26	x2
Oa		3,5x16	x4

13

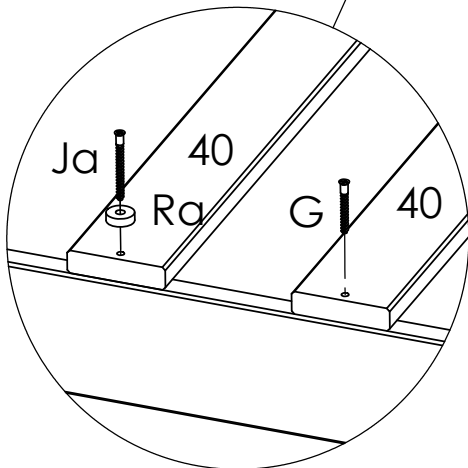
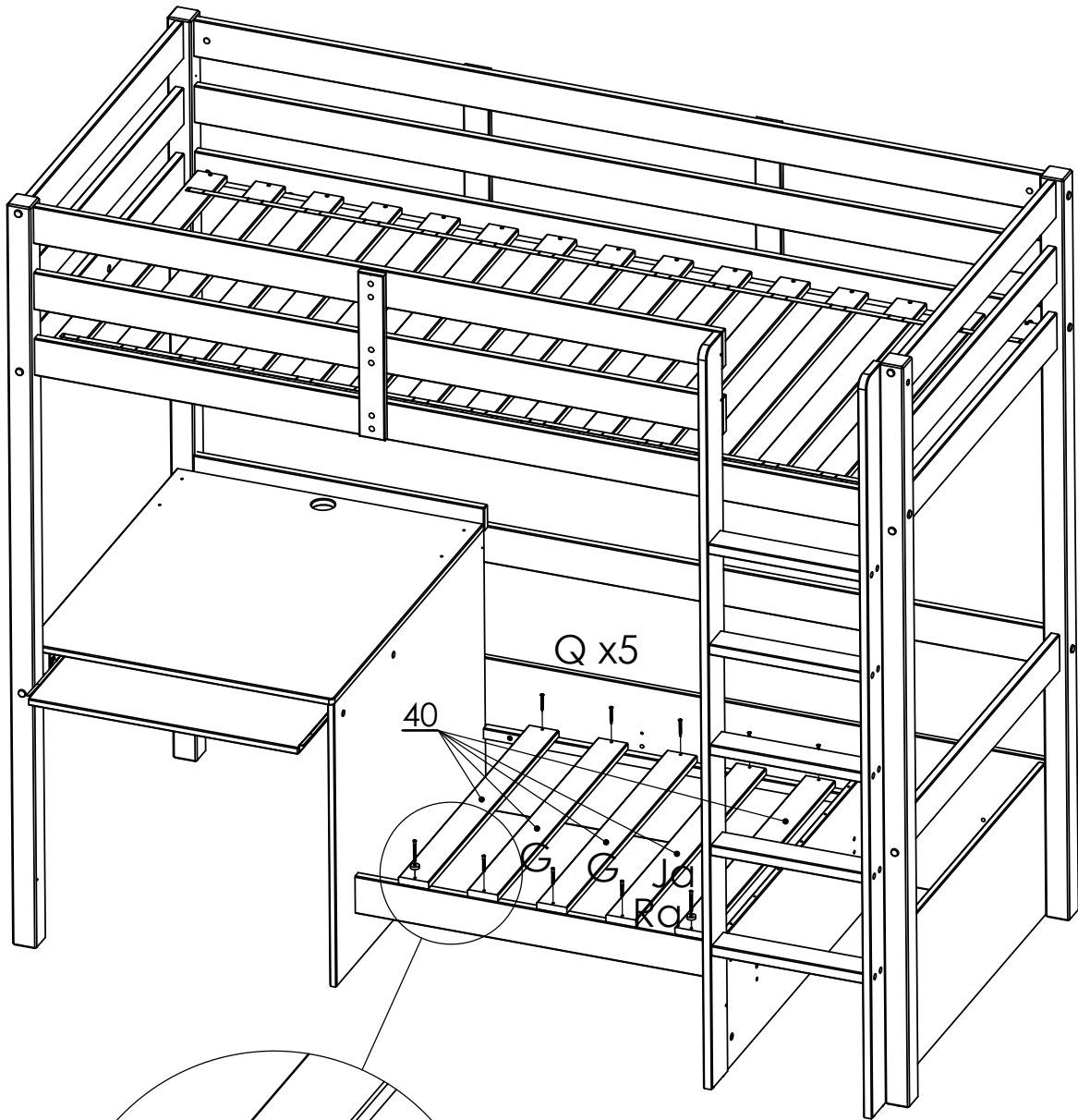


Fa		M6x8x15	x2
Ea		M6x35	x2
O		D15x18	x2

14

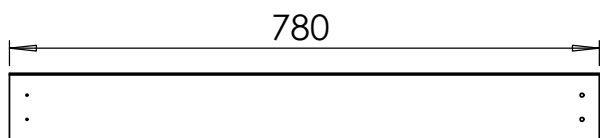


40 - 747x70x17mm 5pcs.

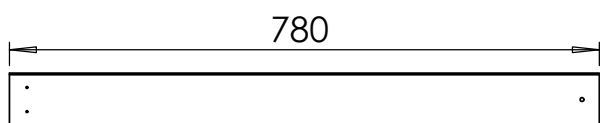


Ra		D19x6	x2
G		5x38	x3
Ja		5x50	x2
Q		3,5x40	x5

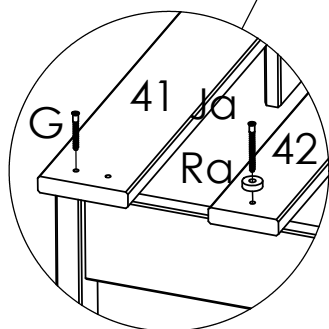
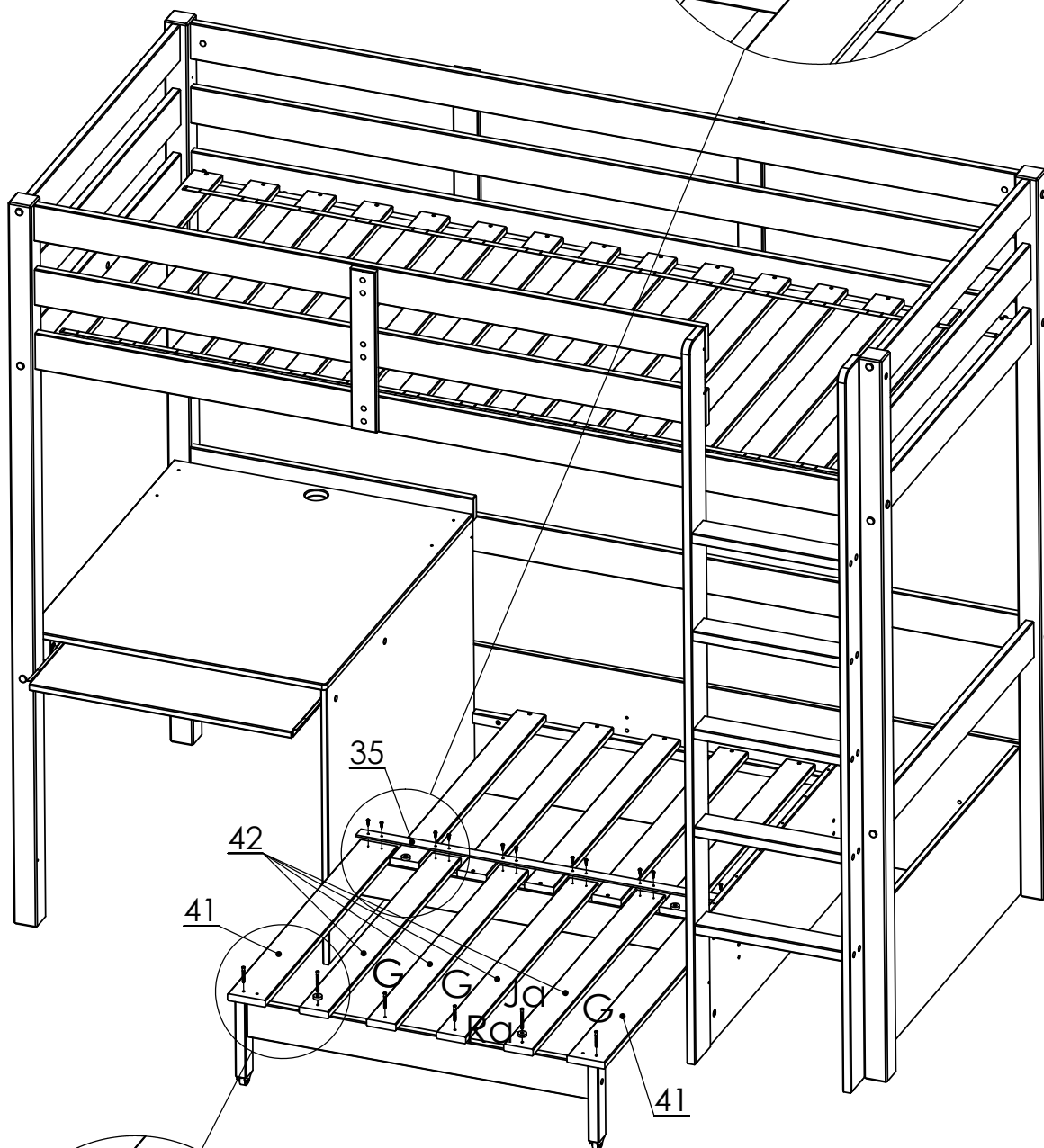
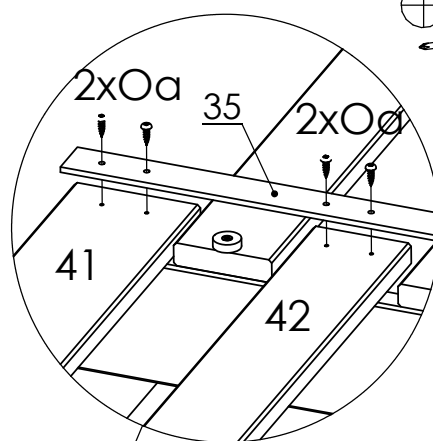
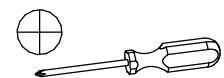
15







41 - 780x90x17mm 2pcs.

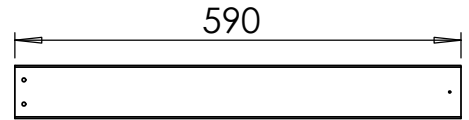
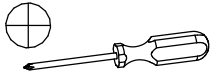


42 - 780x70x17mm 4pcs.

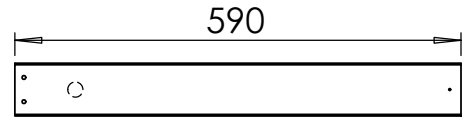


Ra		D19x6	x2
Oa		3,5x16	x12
G		5x38	x4
Ja		5x50	x2

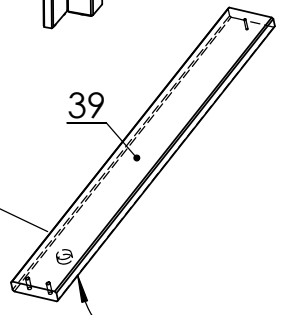
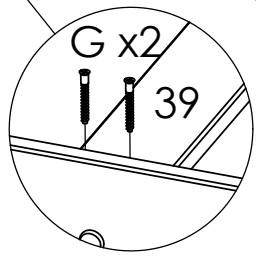
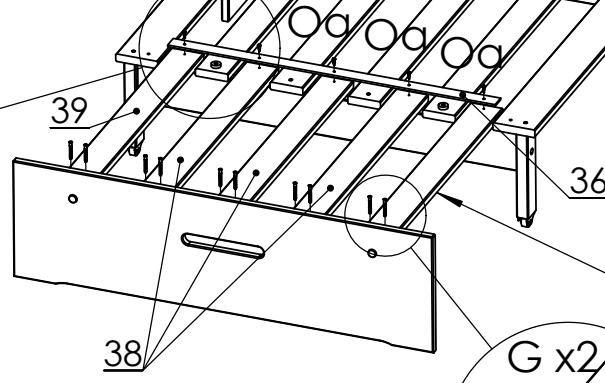
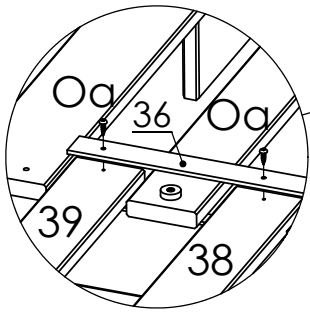
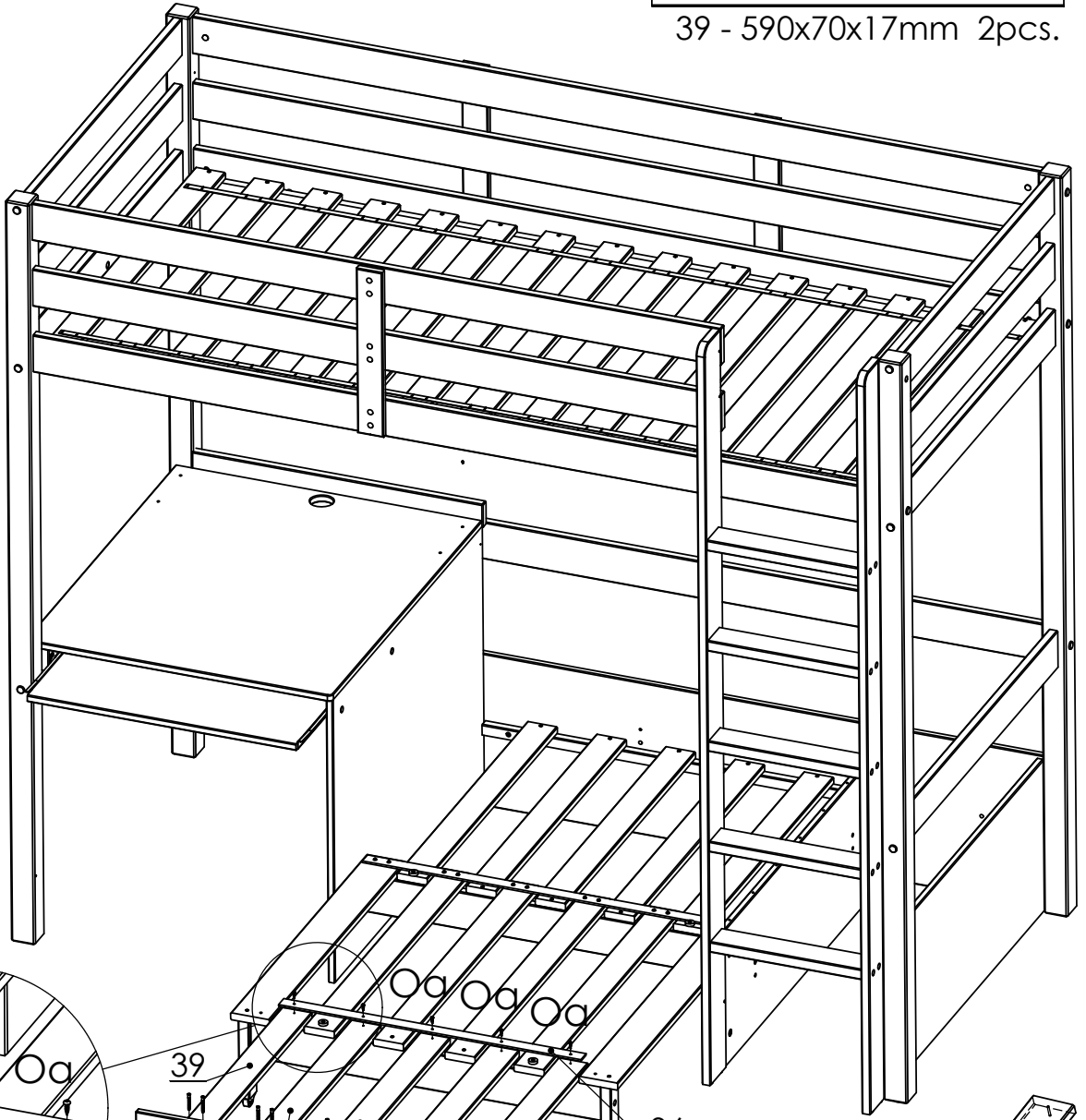
16



38 - 590x70x17mm 3pcs.



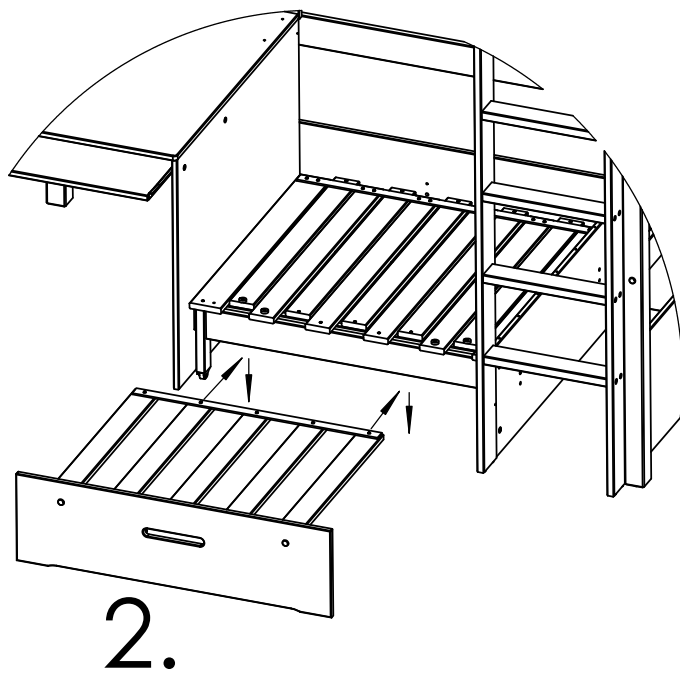
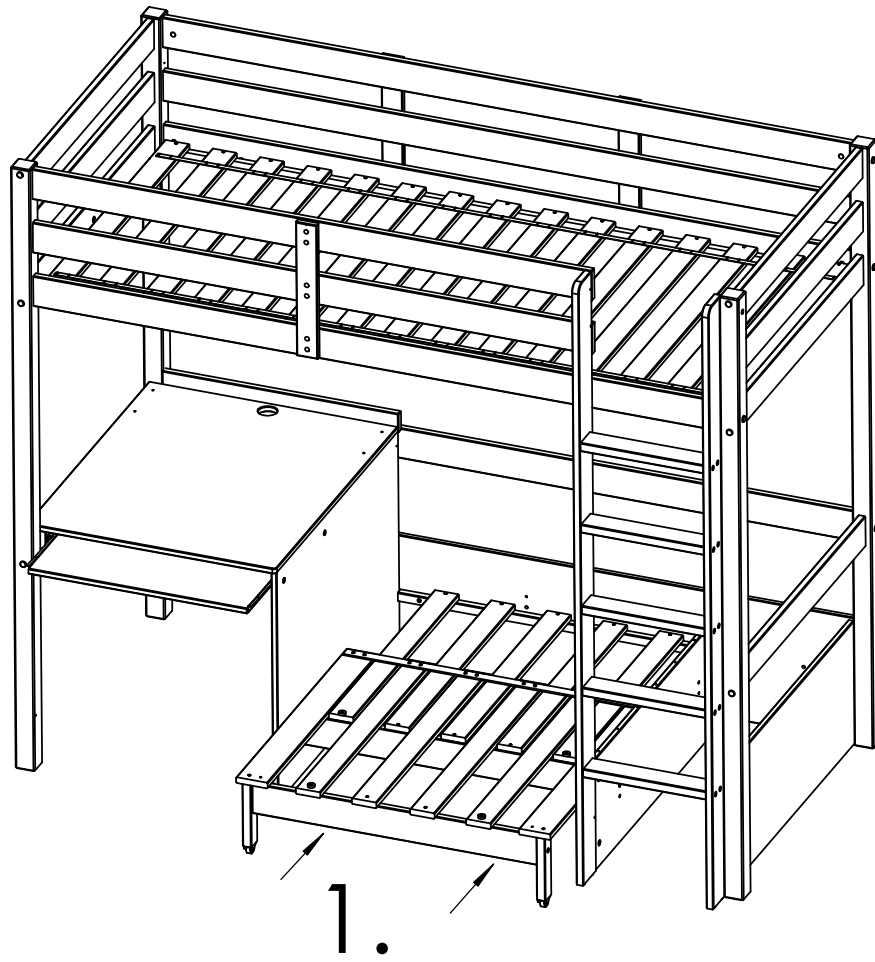
39 - 590x70x17mm 2pcs.



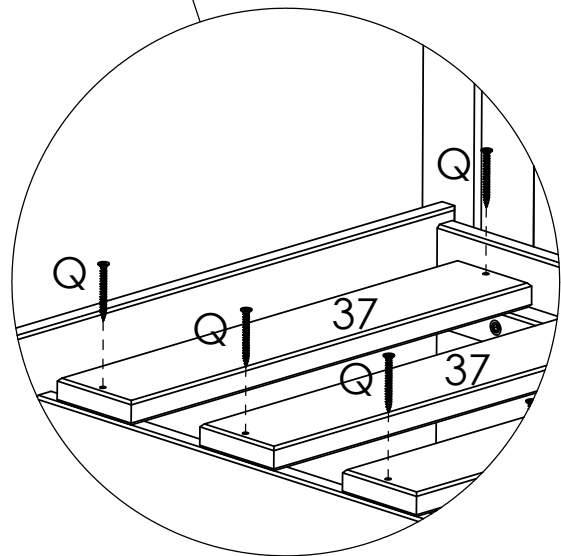
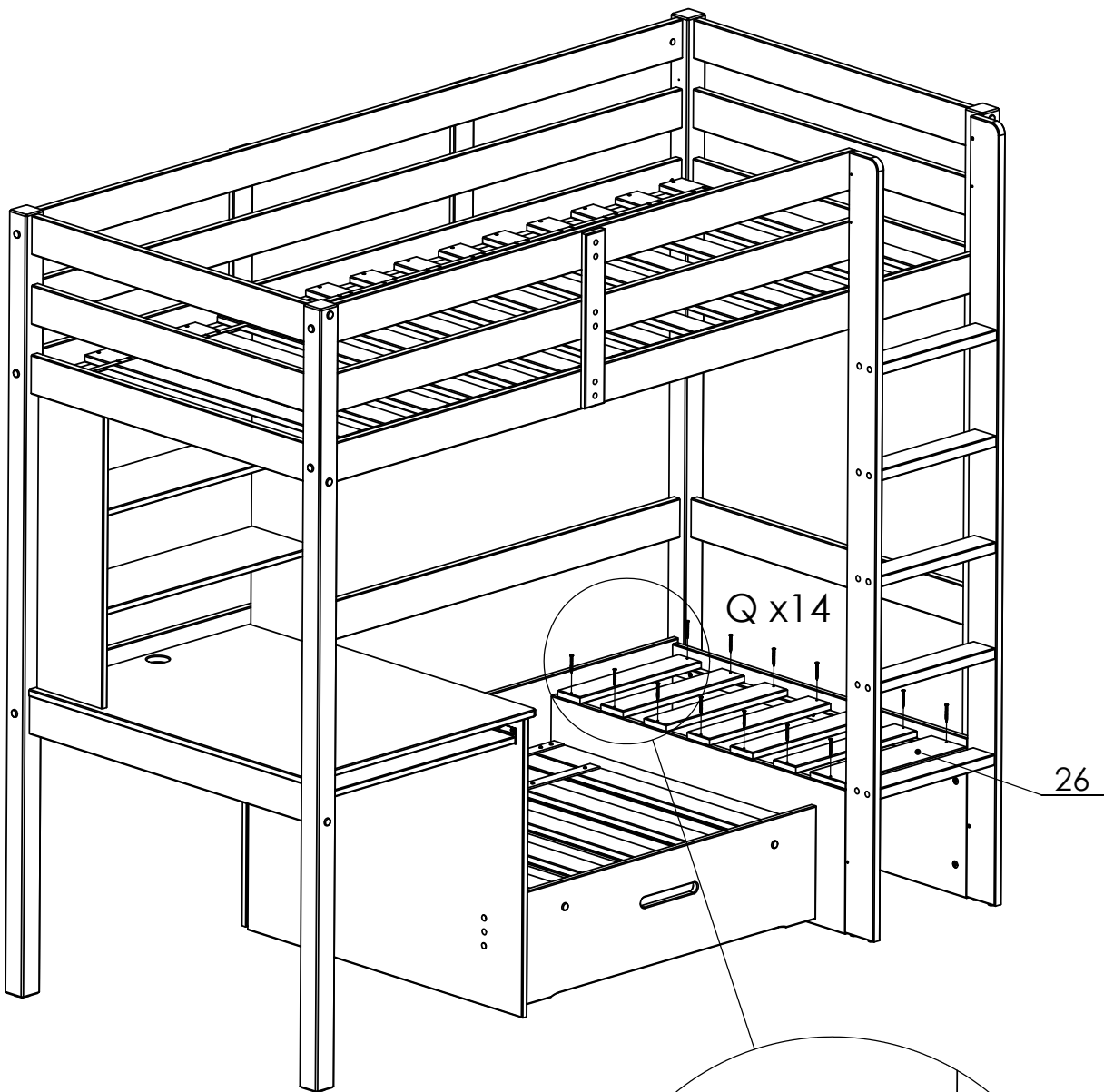
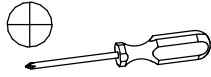
NB!


Oa		3,5x16	x5
G		5x38	x10

17

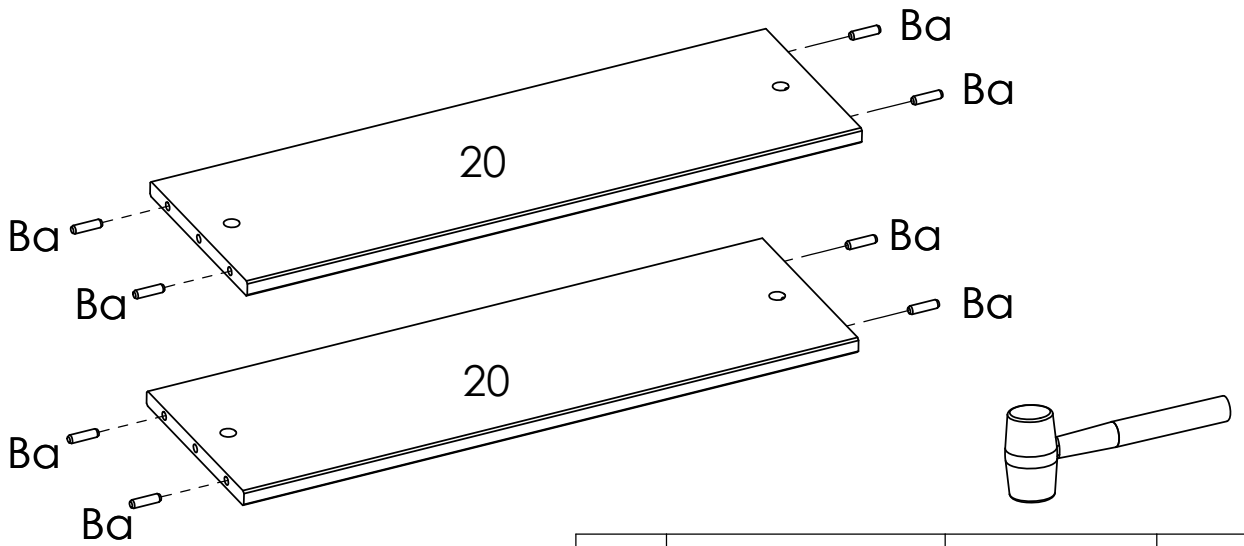



18



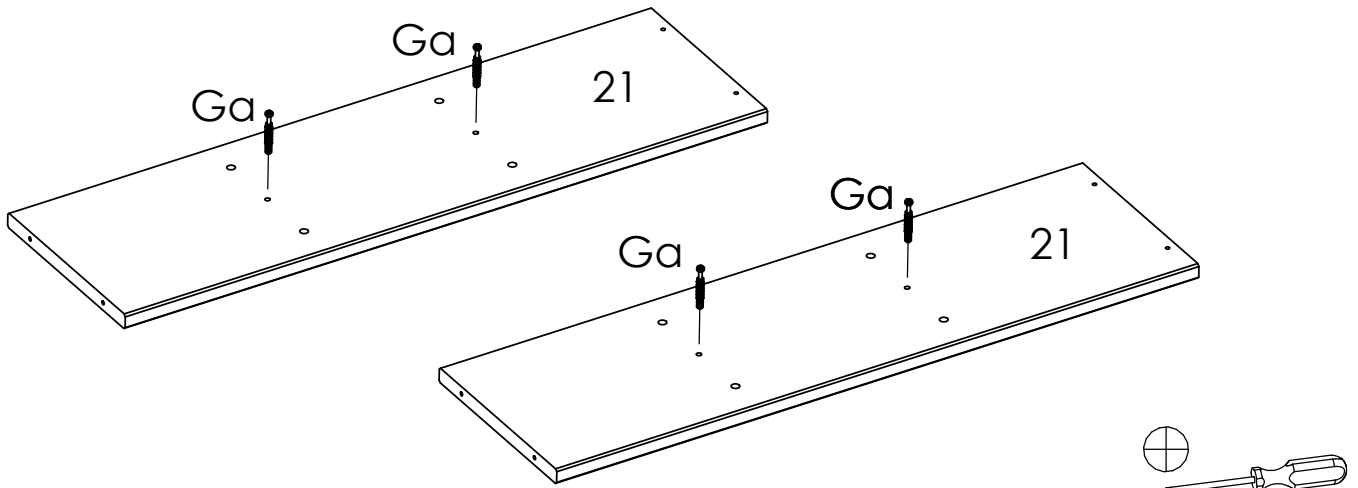
Q		3,5x40	x14
---	---	--------	-----


19



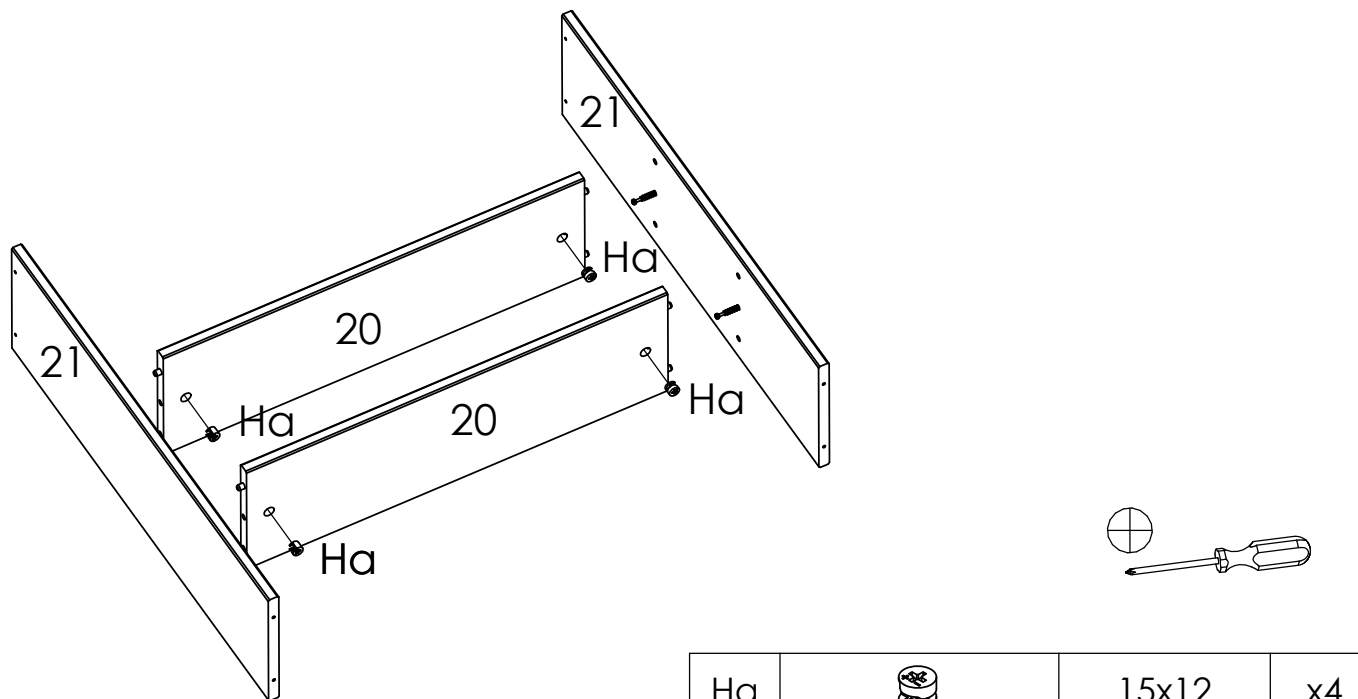
Ba		8x30	x8
----	---	------	----


20



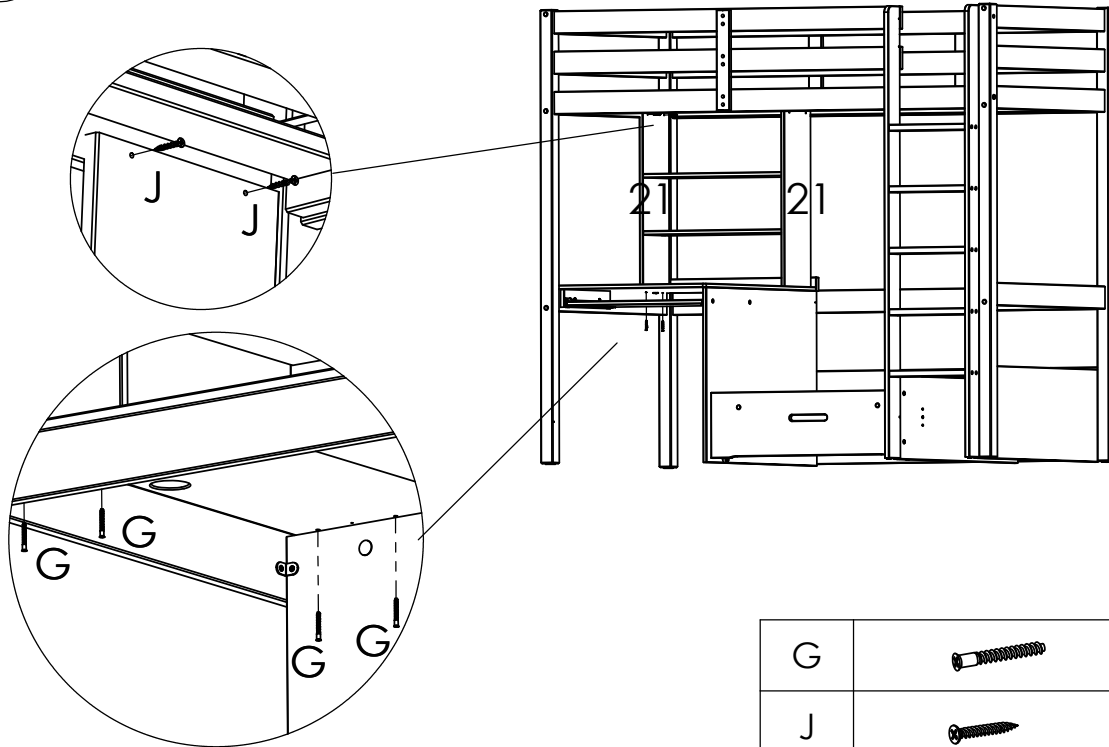
Ga		7x34	x4
----	---	------	----



21



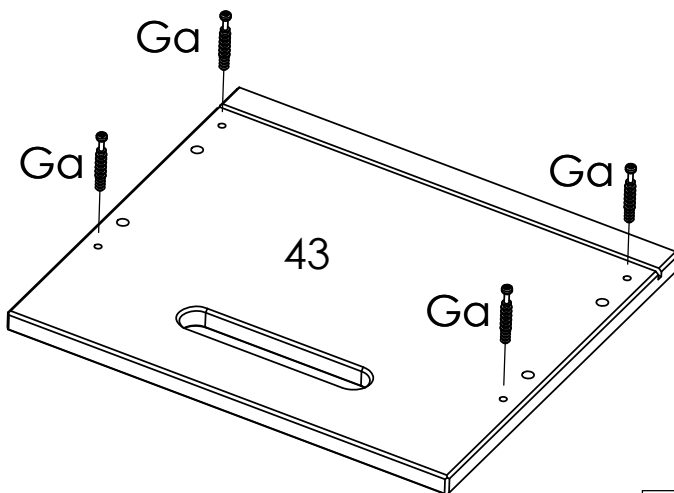
Ha		15x12	x4
----	---	-------	----

22



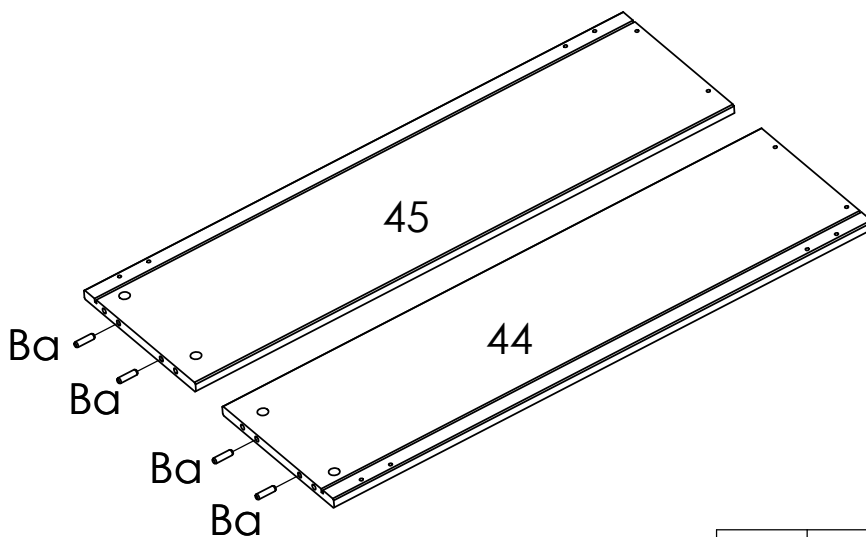
G		5x38	x4
J		4x30	x2


23



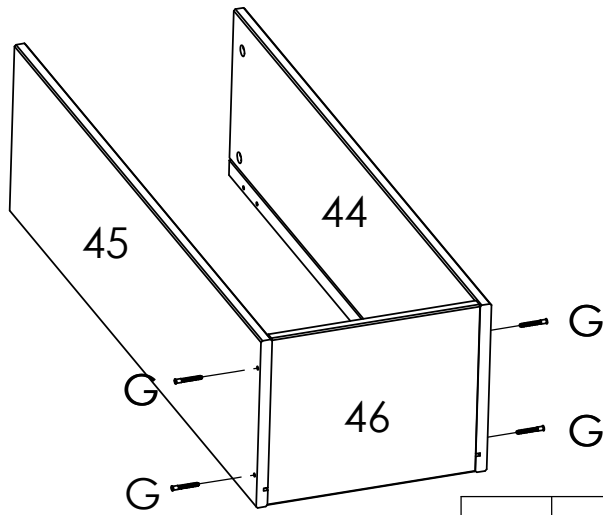
Ga		7x34	x4
----	---	------	----


24



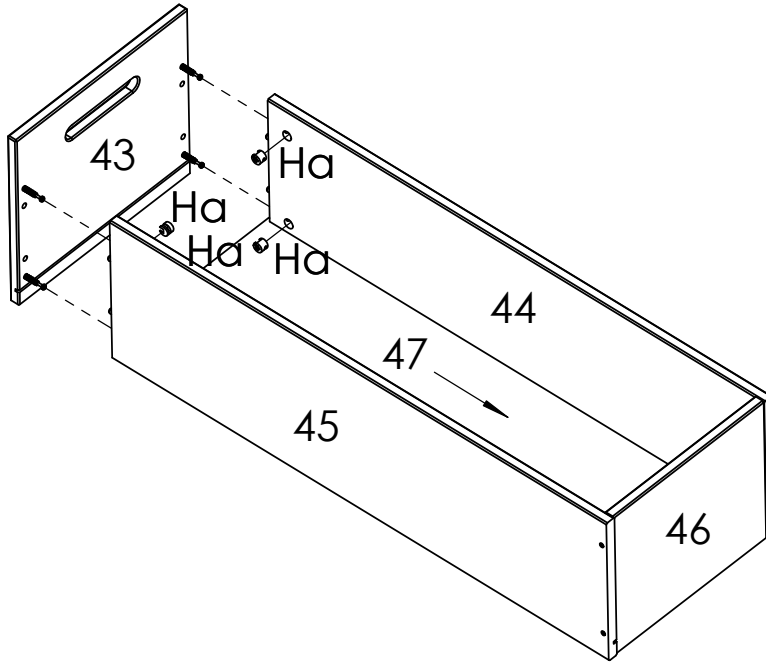
Ba		8x30	x4
----	---	------	----


25



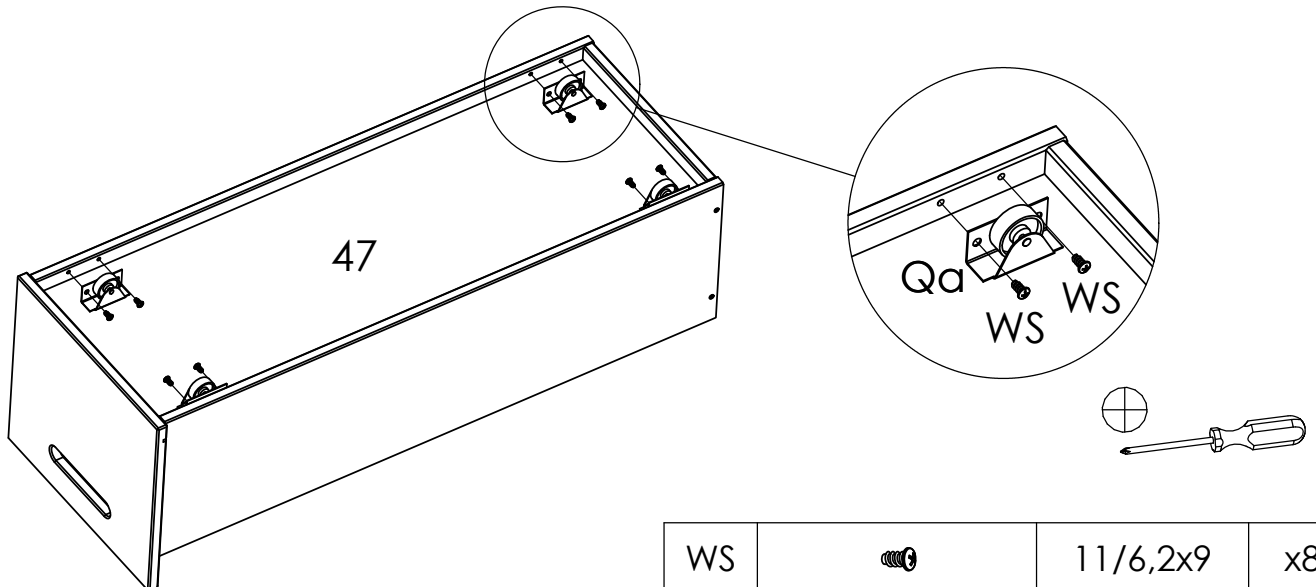
G		5x38	x4
---	---	------	----



26



Ha		15x12	x4
----	---	-------	----

27



WS		11/6,2x9	x8
Qa		D35	x4