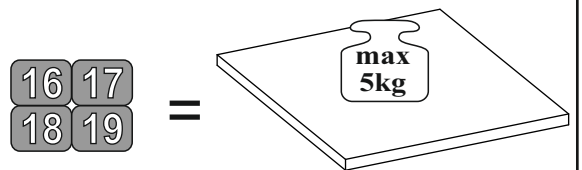
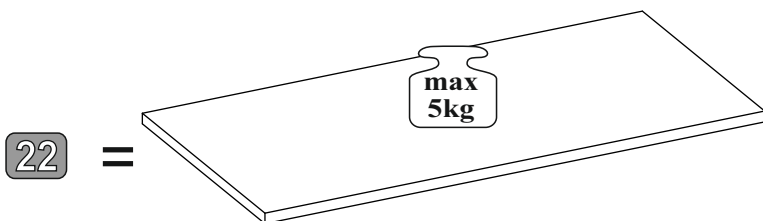
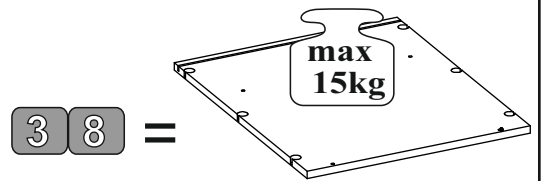
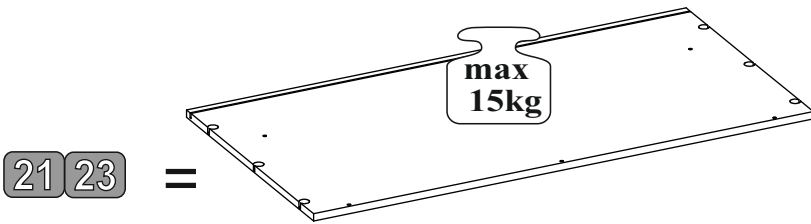
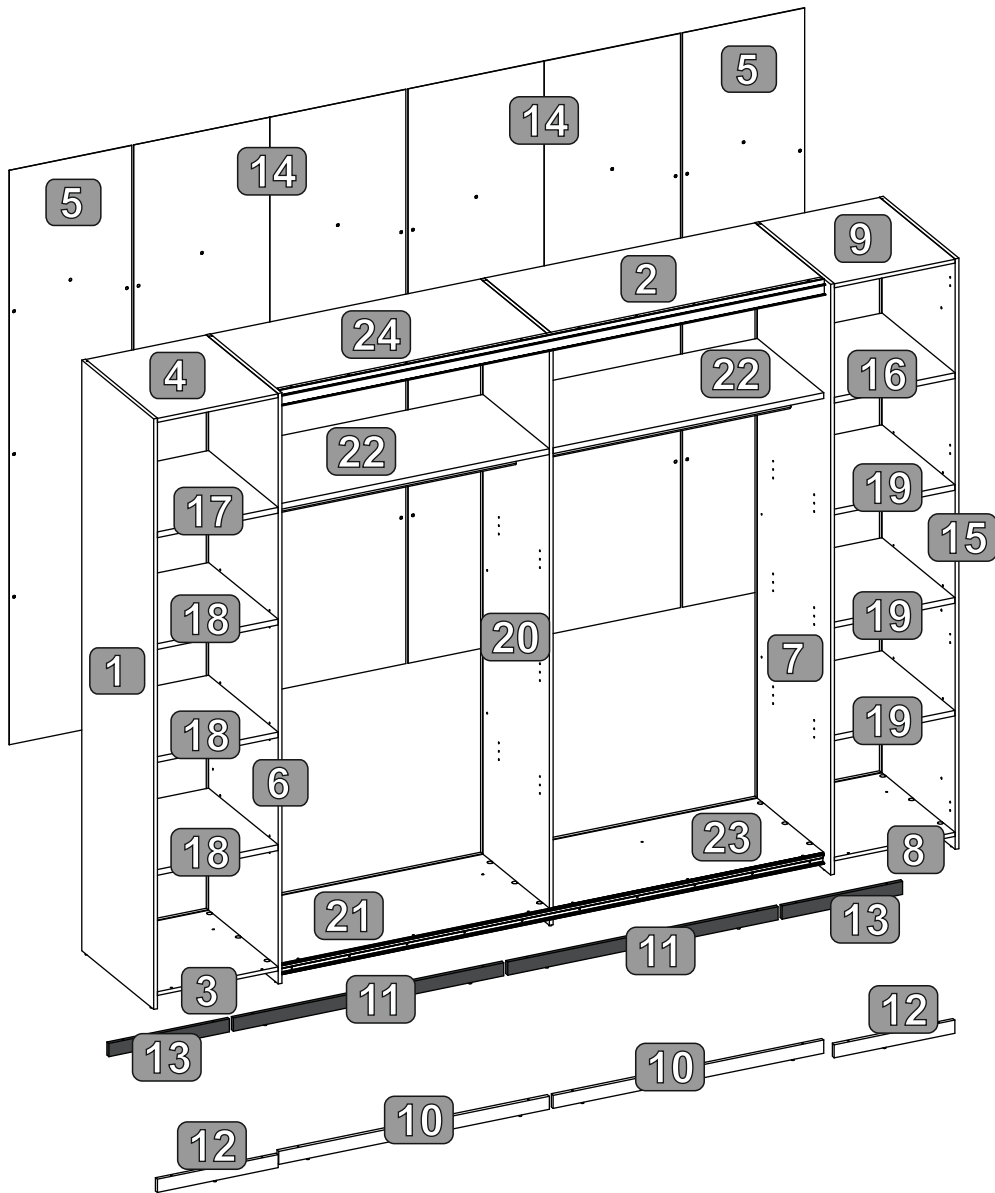
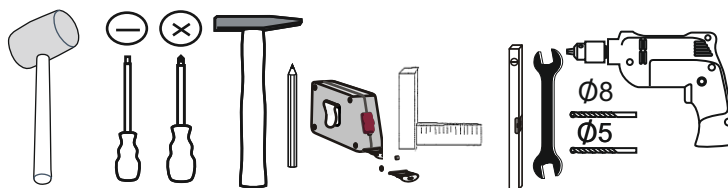
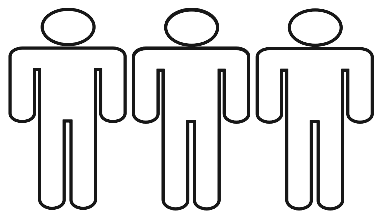



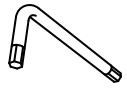
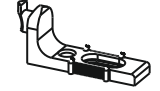


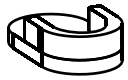


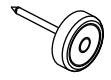


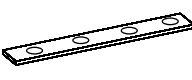
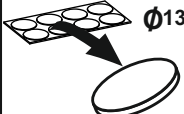


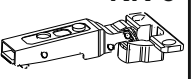
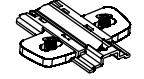







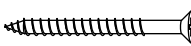


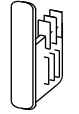

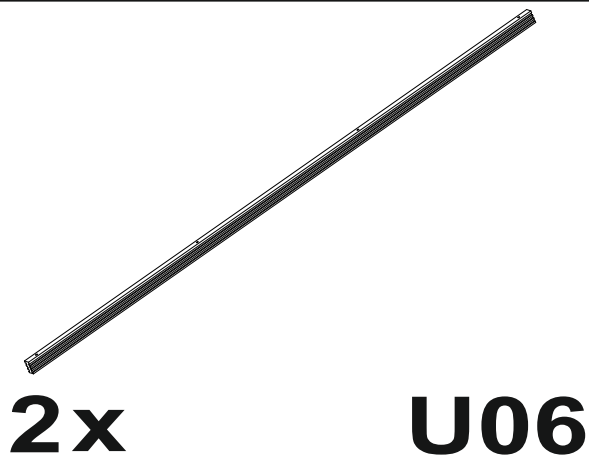


NR	DIM	QTE	COLLI
1	2250x560x15	1	1/8
2	1052,5x535x15	1	1/8
3	469,5x560x15	1	1/8
4	469,5x560x15	1	1/8
5	2188x476x2	2	1/8
6	2250x560x15	1	1/8
7	2250x588x15	1	2/8
8	469,5x588x15	1	2/8
9	469,5x588x15	1	2/8
10	1052,5x50x15	2	2/8
11	1052,5x50x15	2	2/8
12	469,5x50x15	2	2/8
13	469,5x50x15	2	2/8
14	2188x1059x2	2	2/8
15	2250x588x15	1	2/8
16	469,5x569x22	1	3/8
17	469,5x541x22	1	3/8
18	469,5x540x22	3	3/8
19	469,5x568x22	3	3/8
20	2249x535x15	1	3/8
21	1052,5x535x15	1	4/8
22	1052,5x516x22	2	4/8
23	1052,5x535x15	1	4/8
24	1052,5x535x15	1	4/8
25	2200x496x15	1	6/8
26	2200x496x15	1	6/8
27	1075x550x15	4	7/8;8/8
28	1075x550x15	4	7/8;8/8

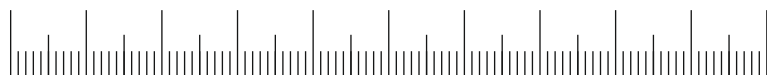


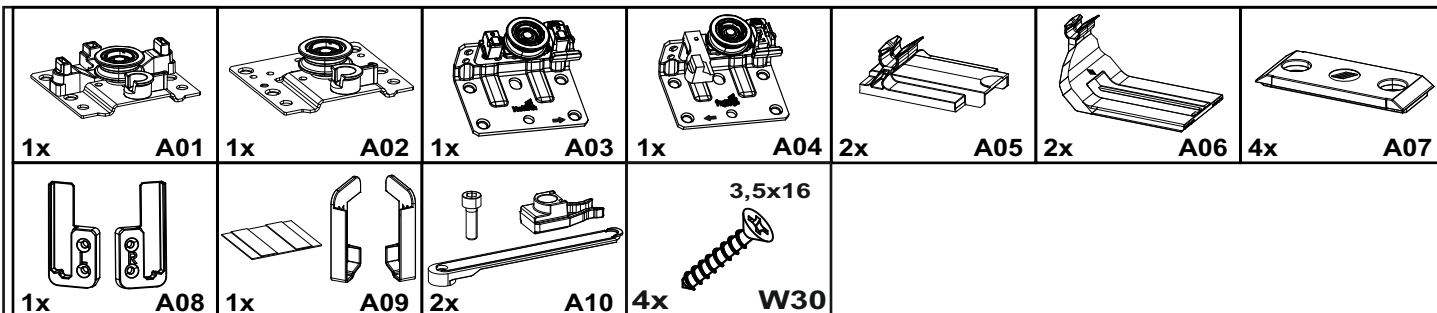


 48x T05	 48x T04	 20x W16	 1x K02	 30x R02	 2x W07	 44x R01
 4x E03	 138x W02	 24x W12	 22x S01	 10x W09	 2x J01	 18x W08
 20x C02	 4x Z04	 4x Z02	 4x Z22	 4x Z21	 24x E01	 16x W30
 8x W05	 24x E09	 30x W20	 24x W10	 2x F01	 2x F11	 2x F13
 3x Sz1	 6x ZA2	 1x K03				

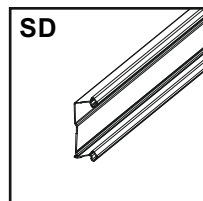
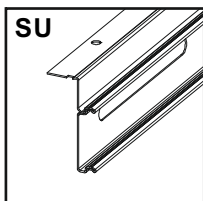
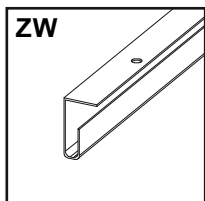
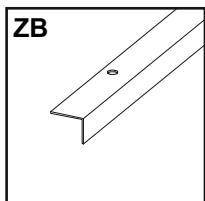
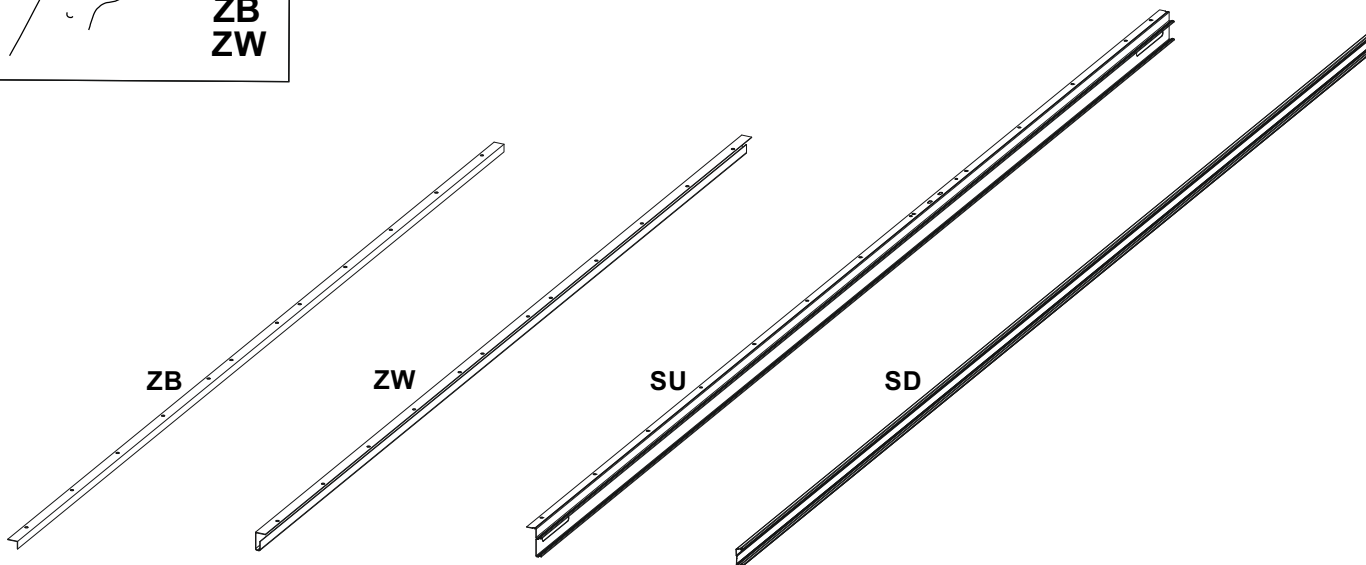
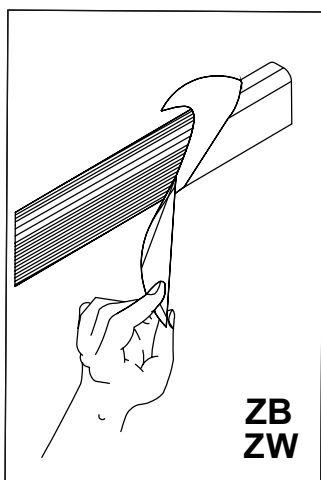


0 10 20 30 40 50 60 70 80 90 100

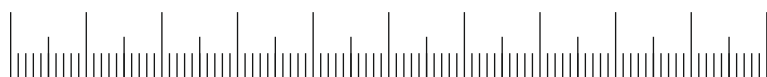




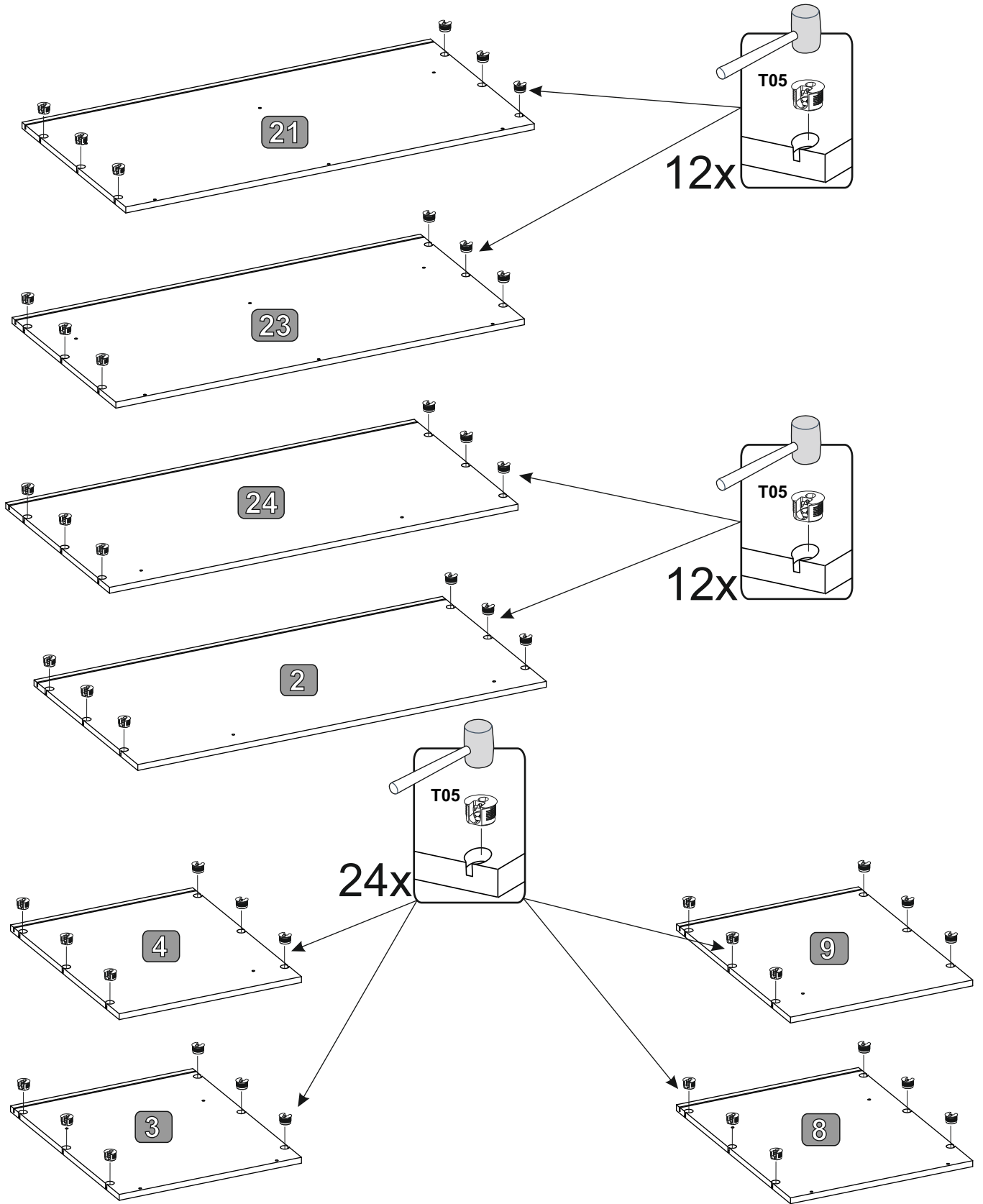
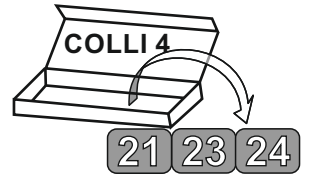
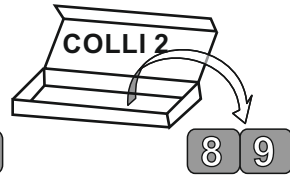
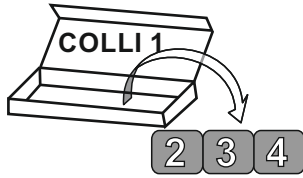
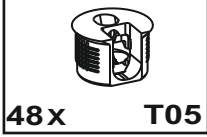
NR	DIM	QTE	COLLI
ZB	L-2200	1	5/8
ZW	L-2200 H-37	3	5/8
SU	L-2118	1	5/8
SD	L-2114	1	5/8



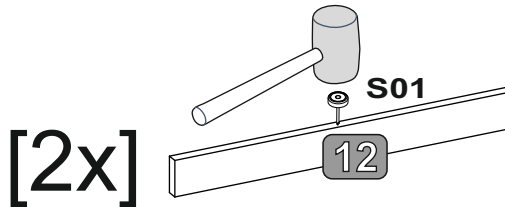
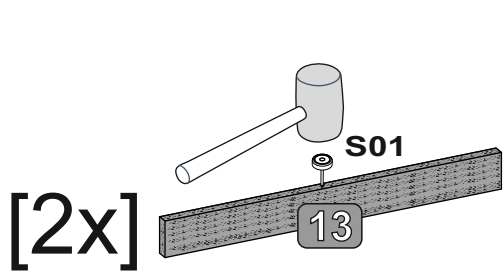
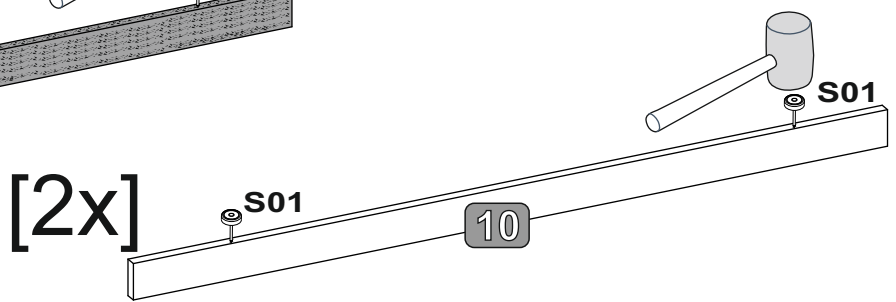
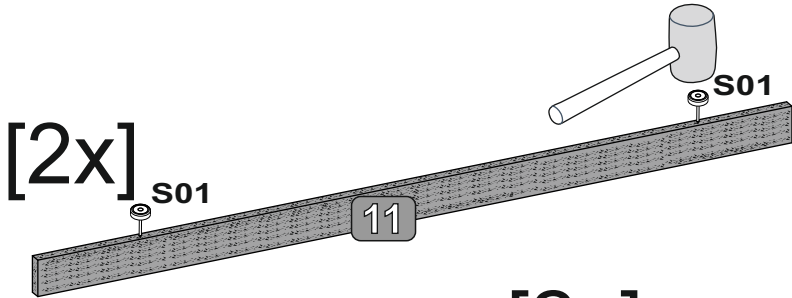
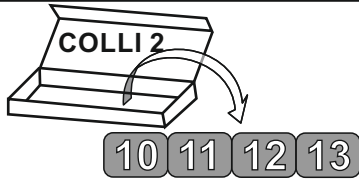
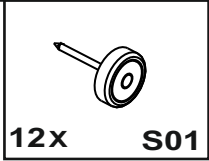
0 10 20 30 40 50 60 70 80 90 100



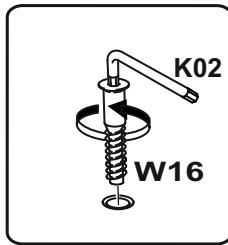
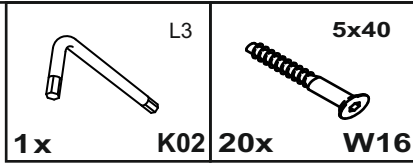
1



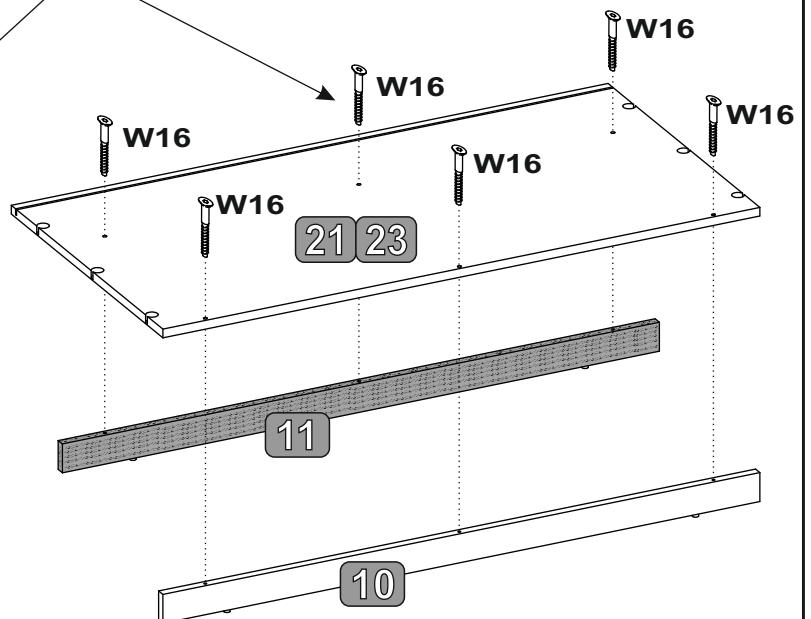
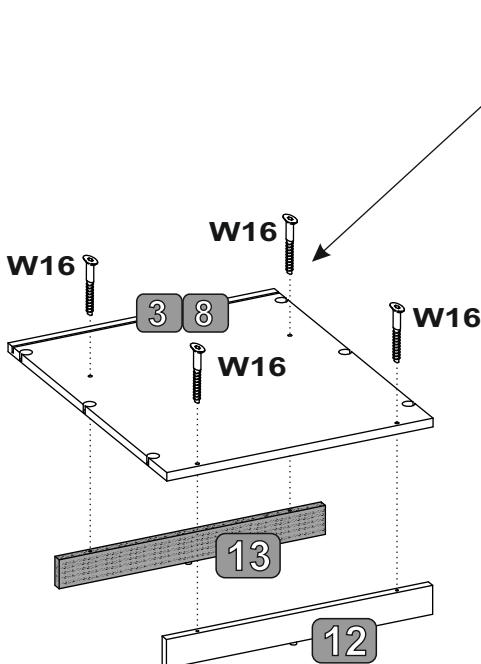
2



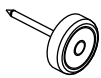




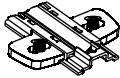
3

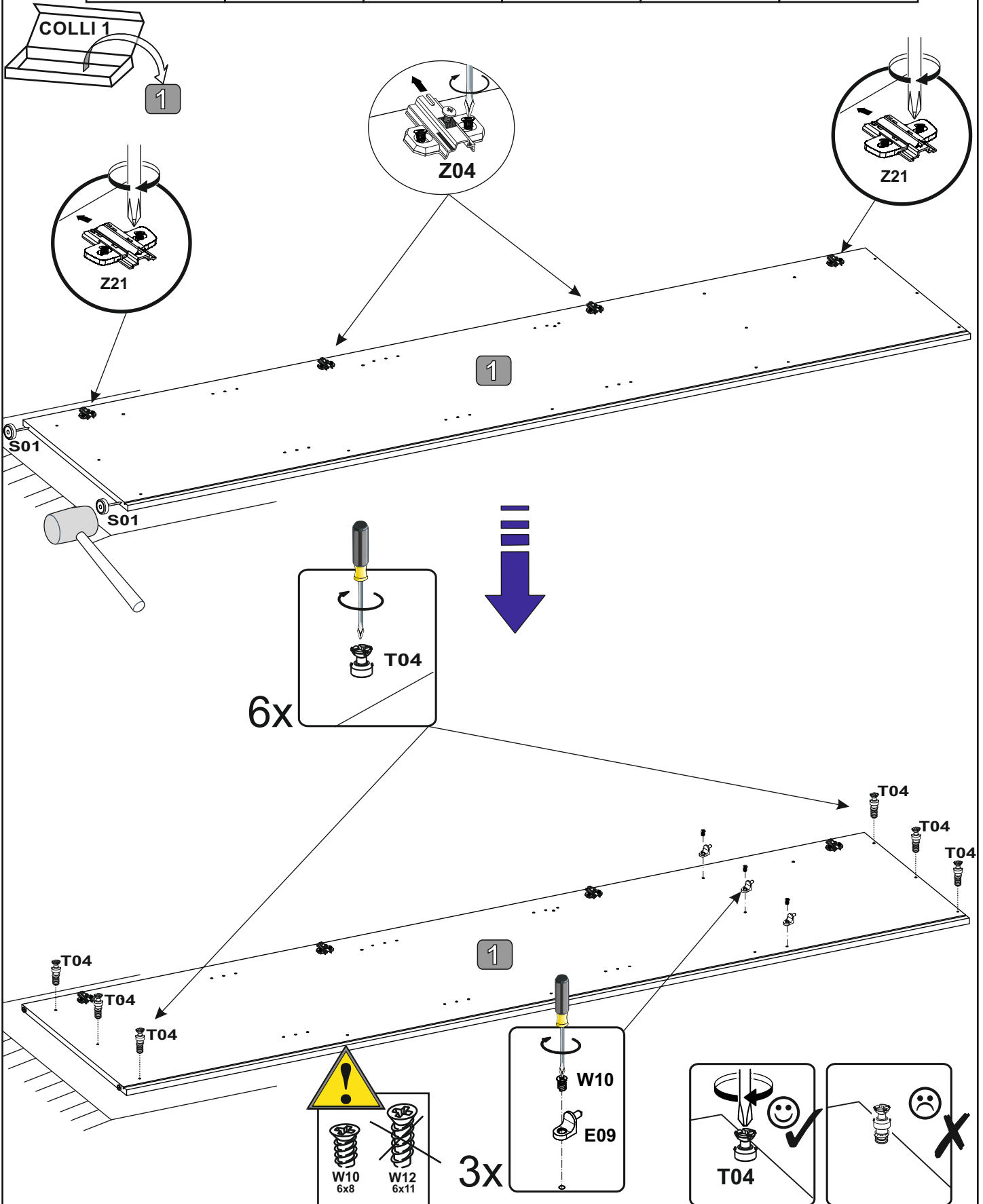


20x

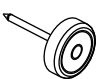







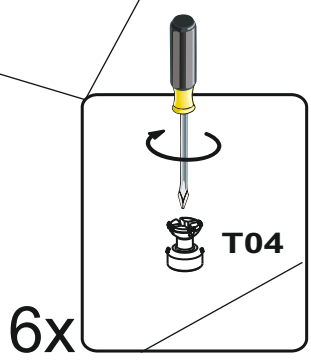
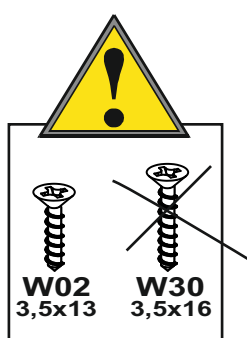
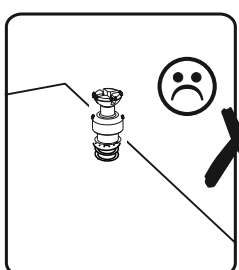
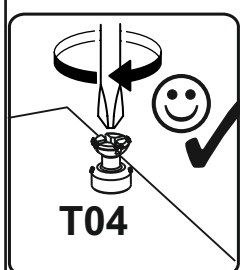
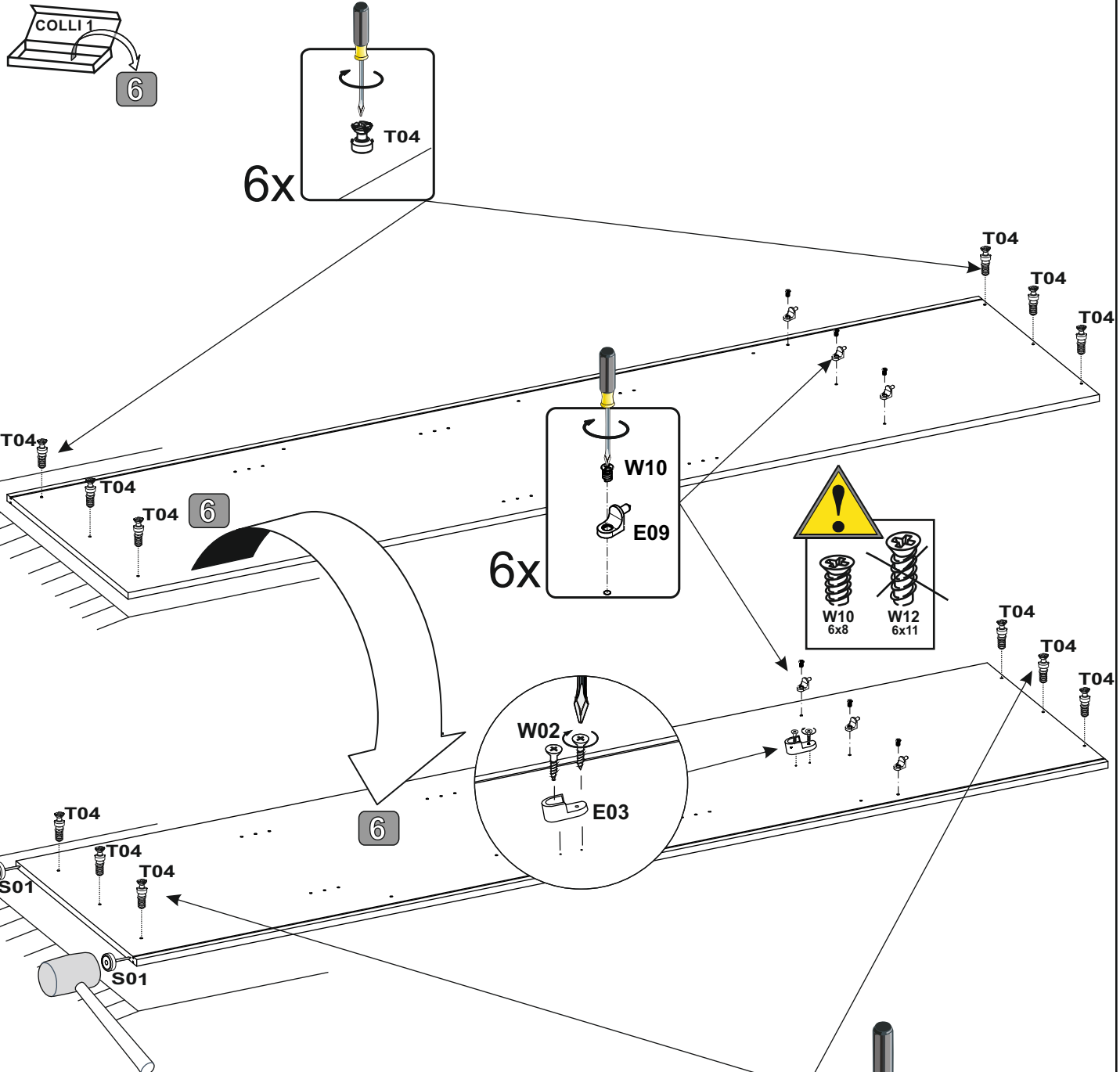
4

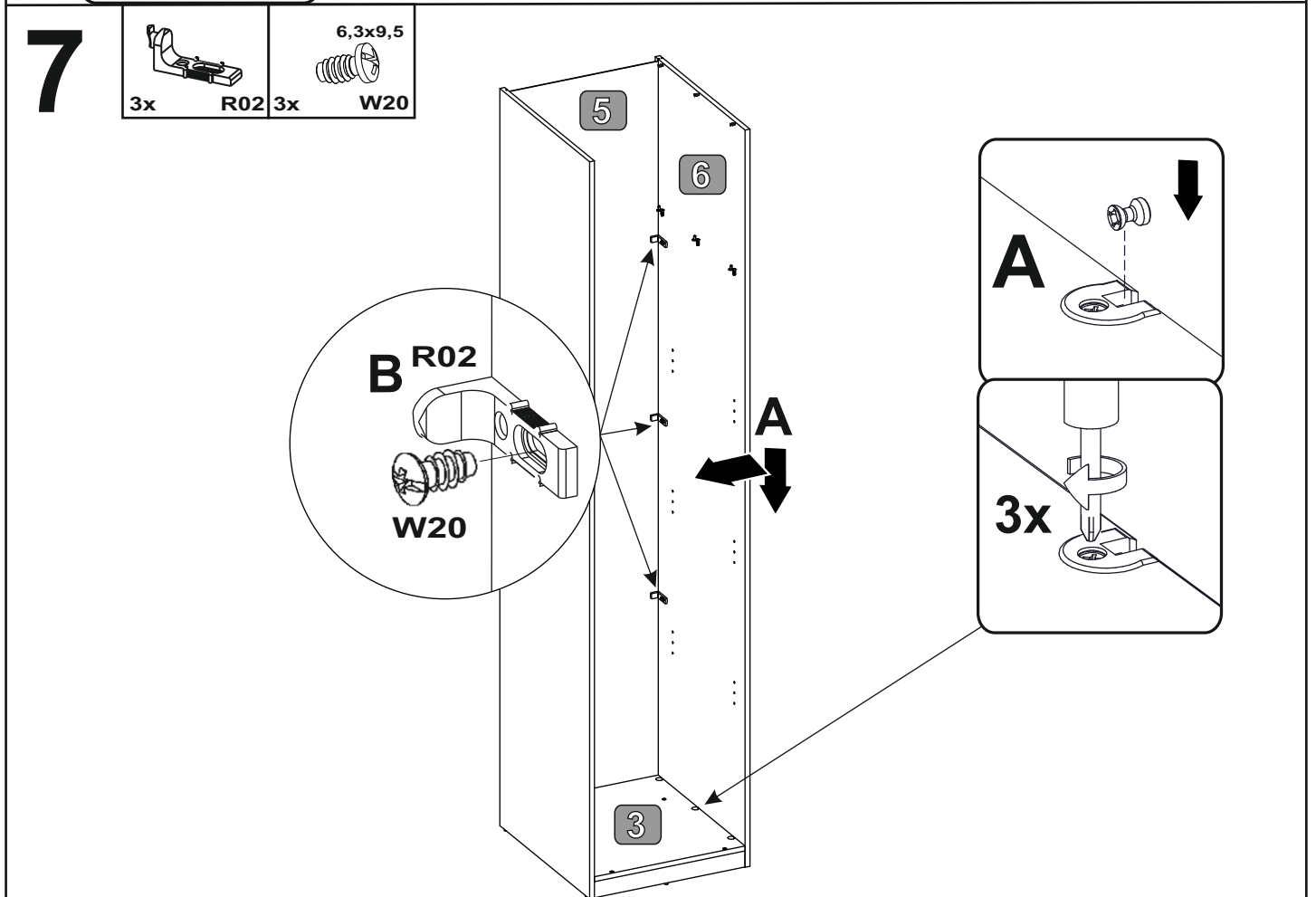
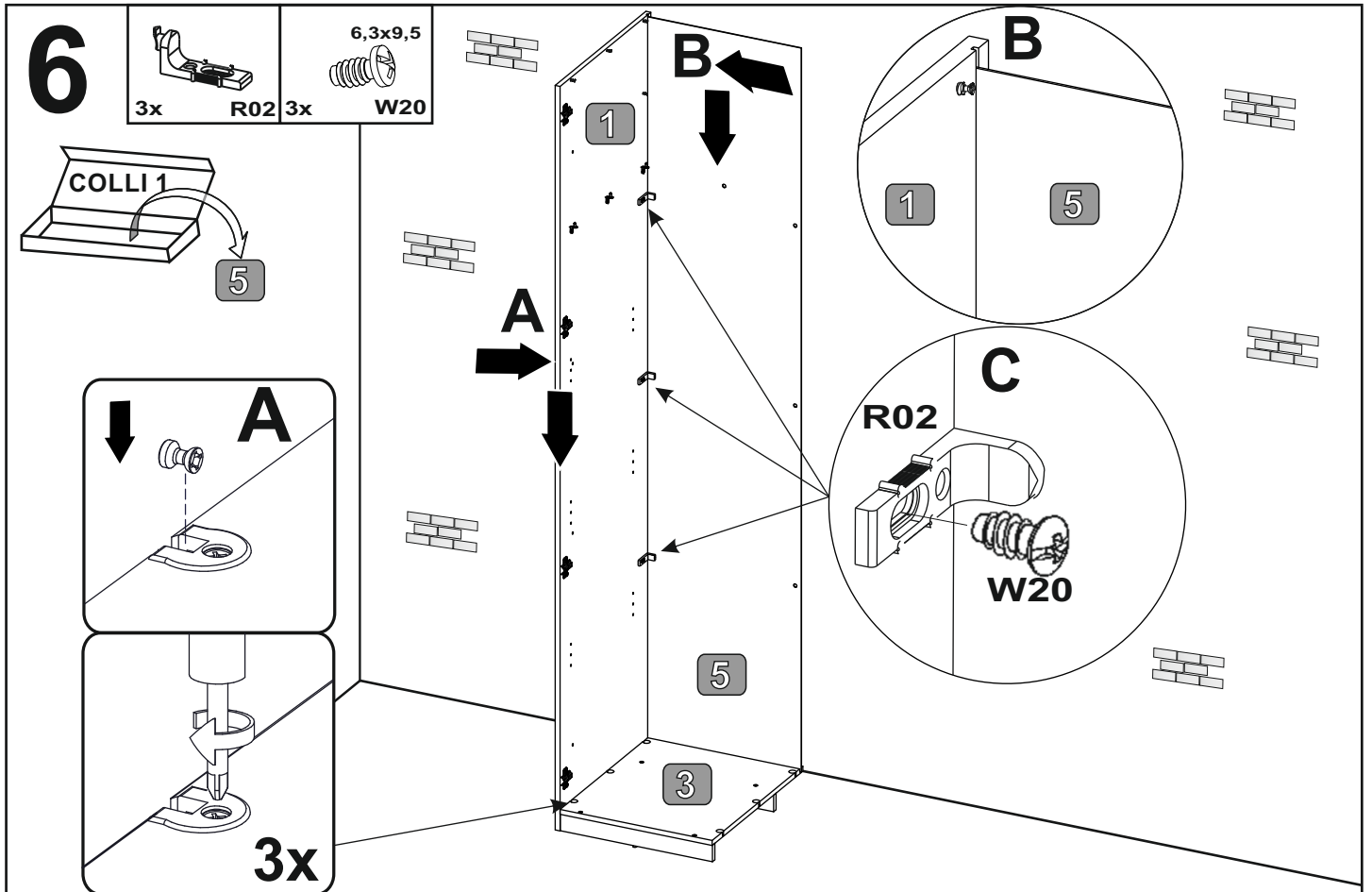
2x		S01	6x		T04	3 x		E09	3x		W10	2x		Z04	2x		Z21
----	---	-----	----	---	-----	-----	---	-----	----	---	-----	----	---	-----	----	---	-----



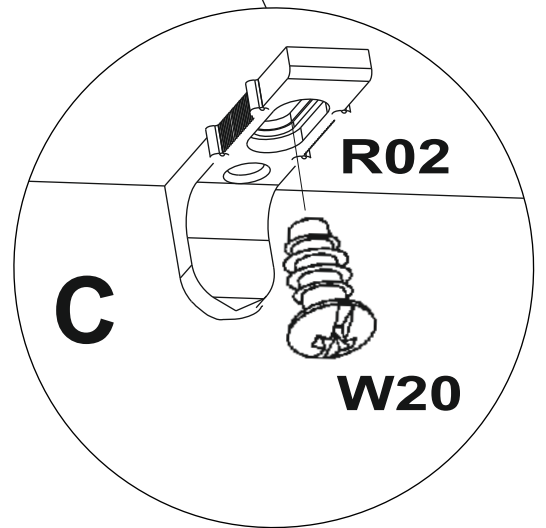
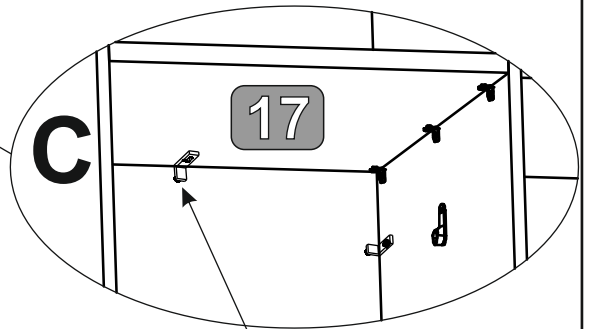
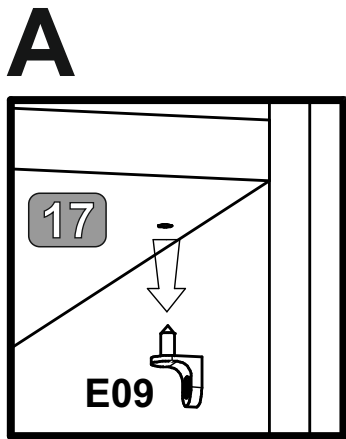
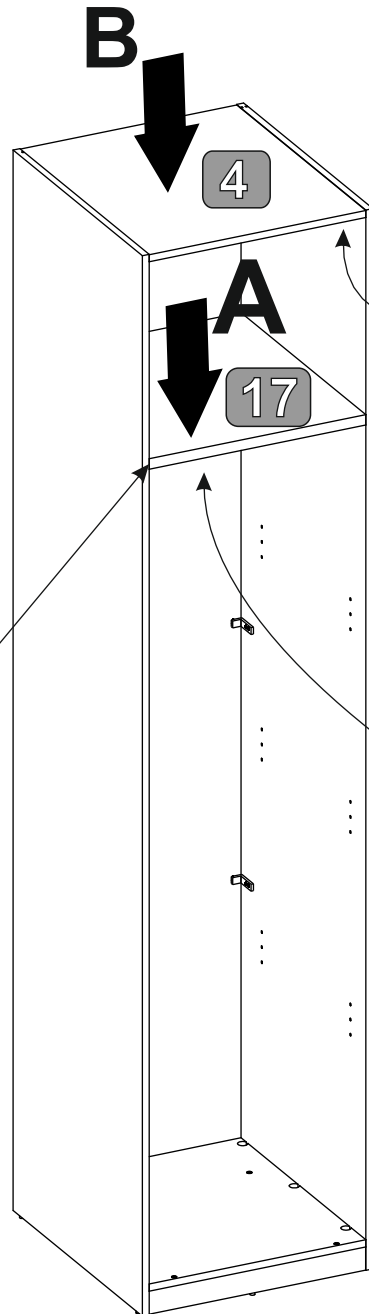
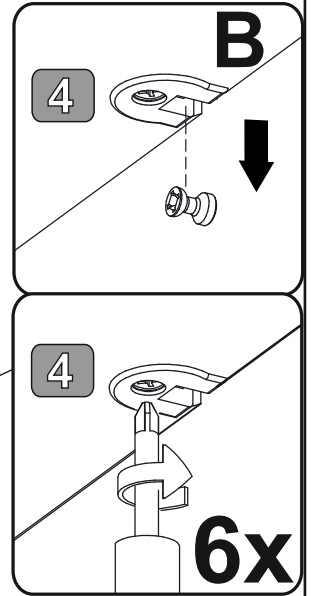
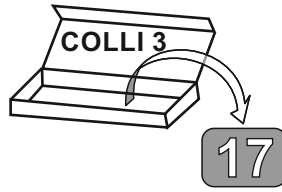
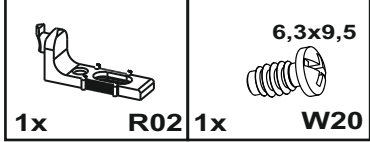
5

2x		12x		1x		2x		6x		6x	
----	---	-----	---	----	---	----	---	----	---	----	---



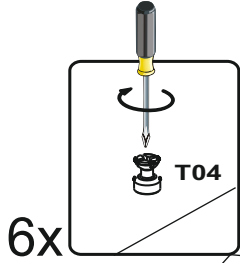
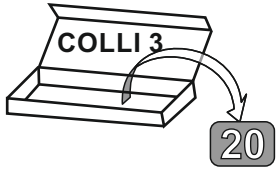


8

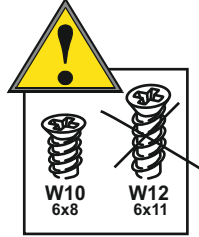
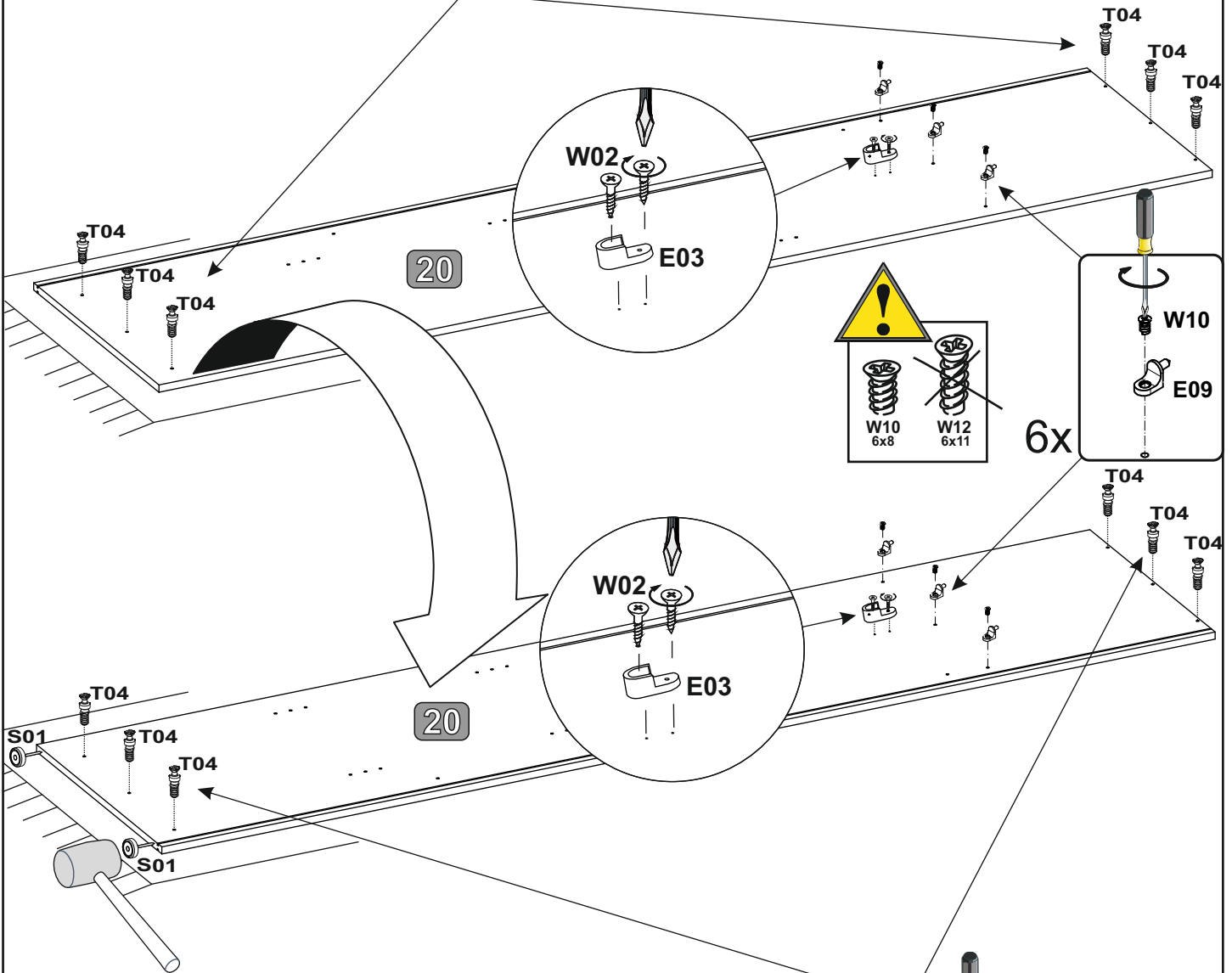


9

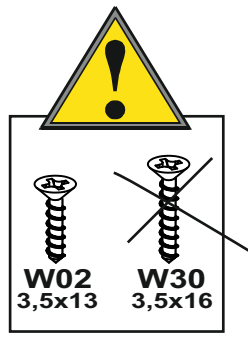
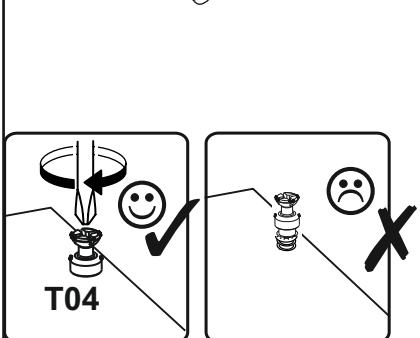
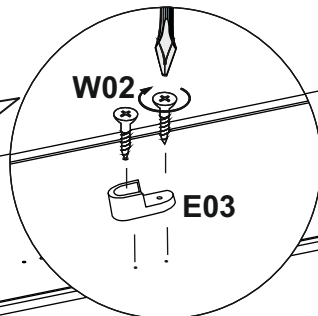
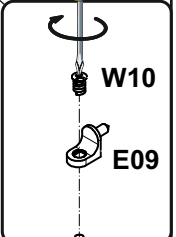
2x	S01	12x	T04	2x	E03	4x	W02	6x	E09	6x8	W10
----	-----	-----	-----	----	-----	----	-----	----	-----	-----	-----



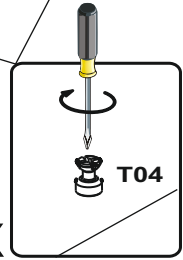
6x









6x

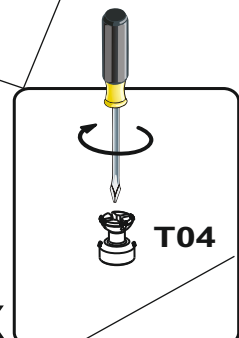
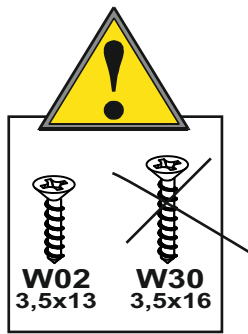
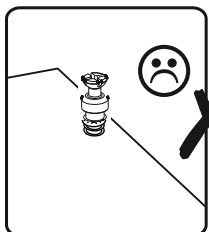
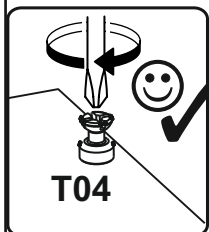
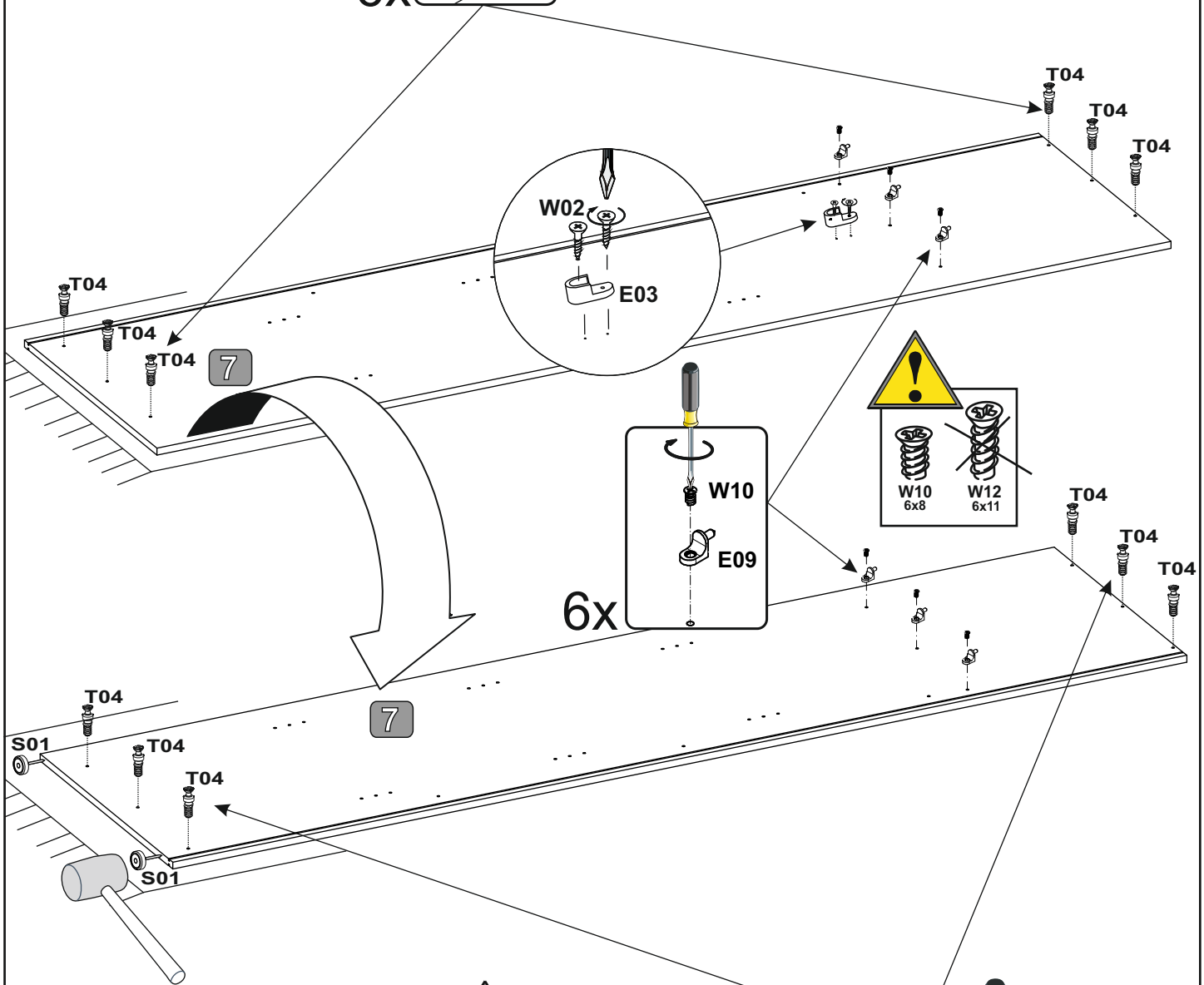
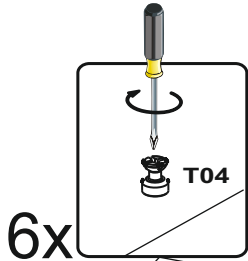
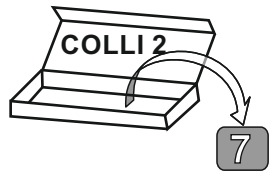


6x






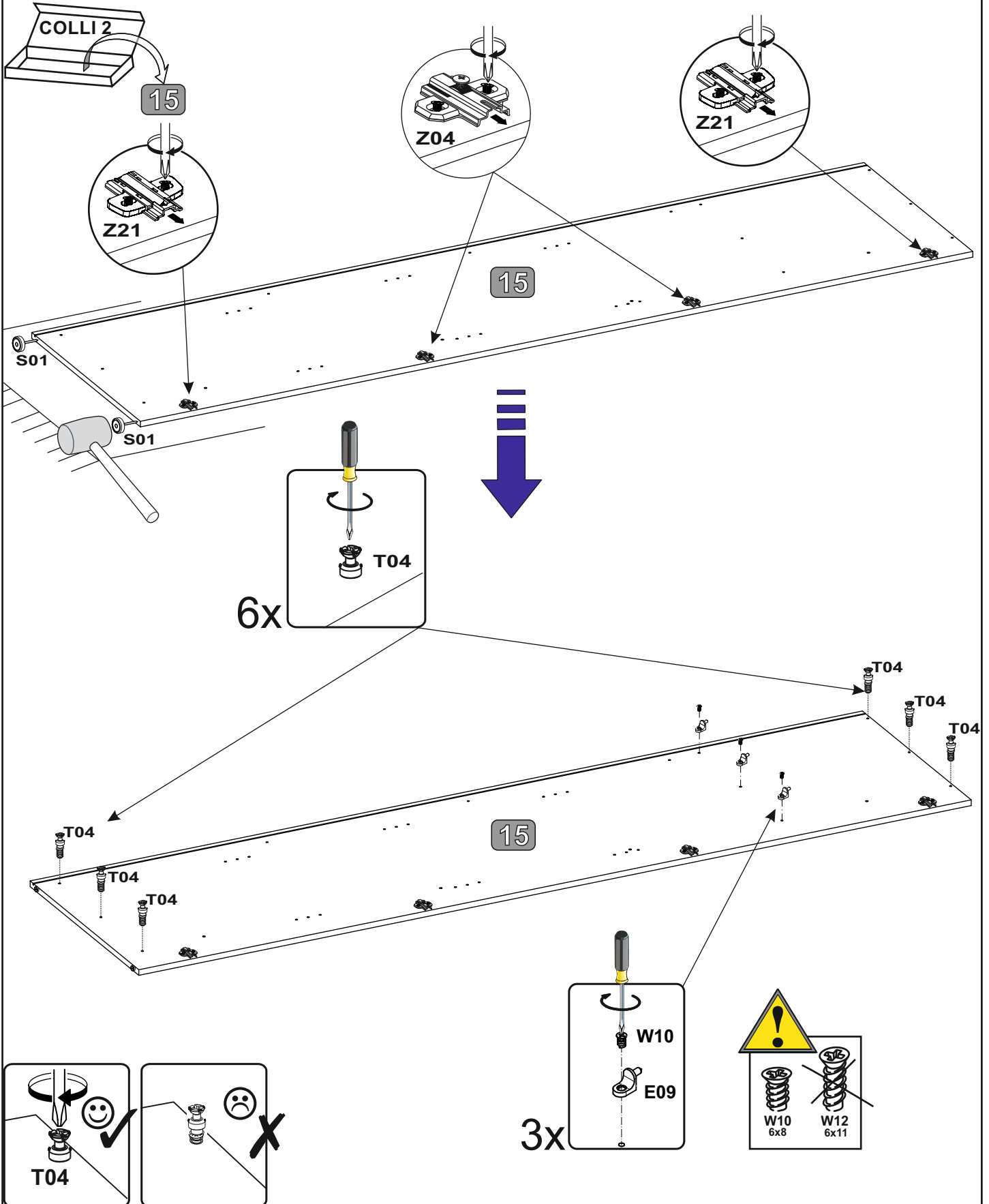
10

2x		12x		1x		2x		6x		6x	
----	---	-----	---	----	---	----	--	----	---	----	---

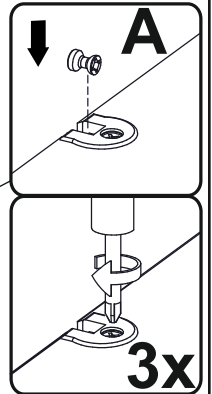
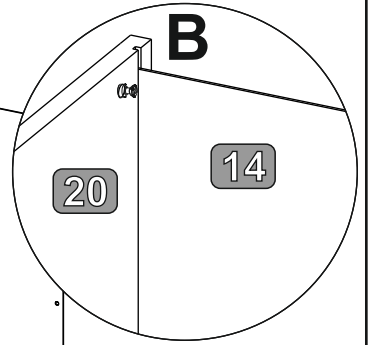
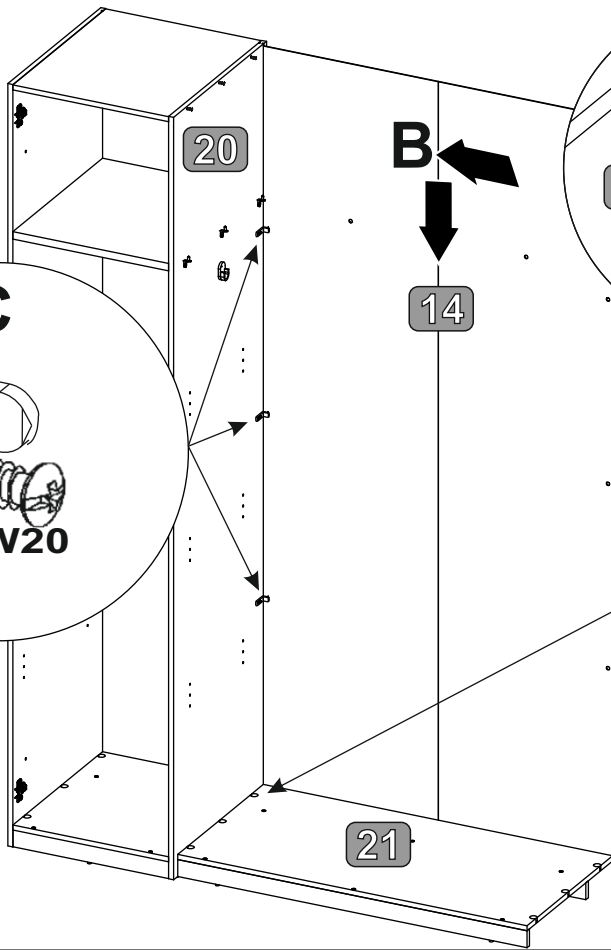
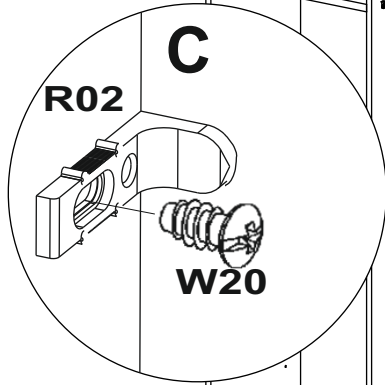
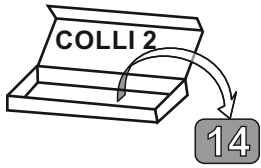
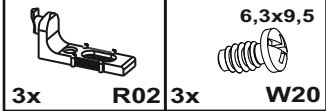


11

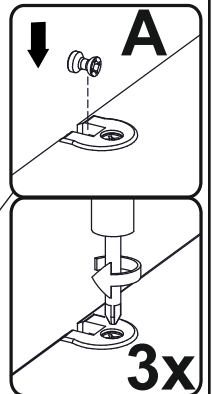
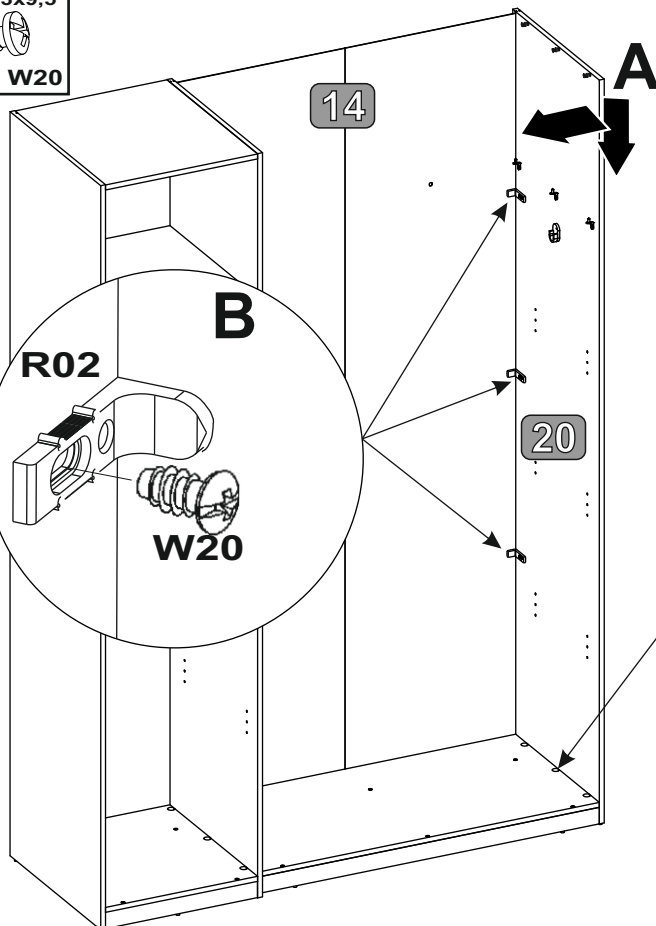
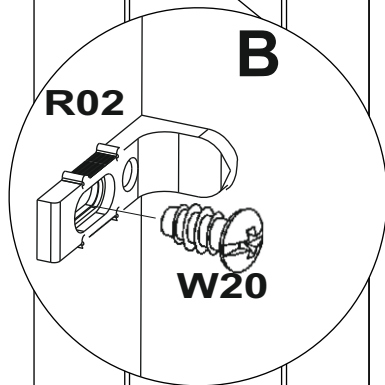
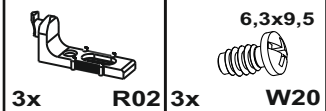
					
2x S01	6x T04	3 x E09	3x W10	2x Z04	2x Z21



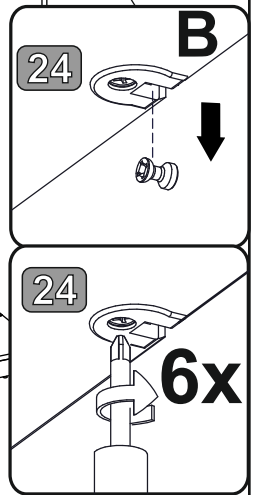
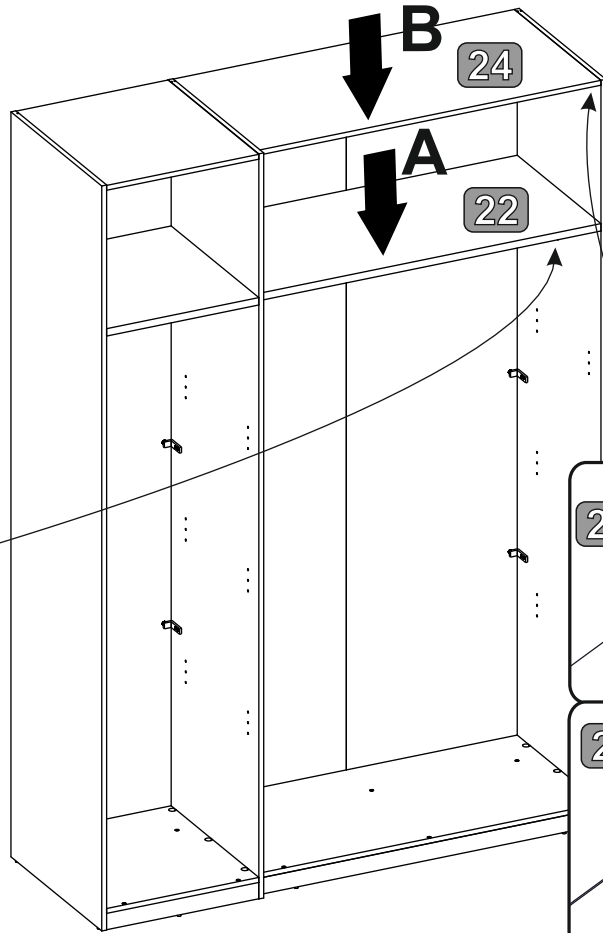
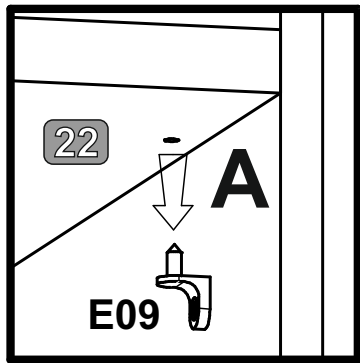
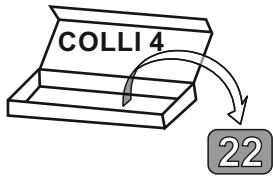
12



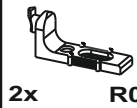
13



14

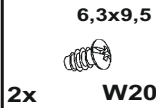


15



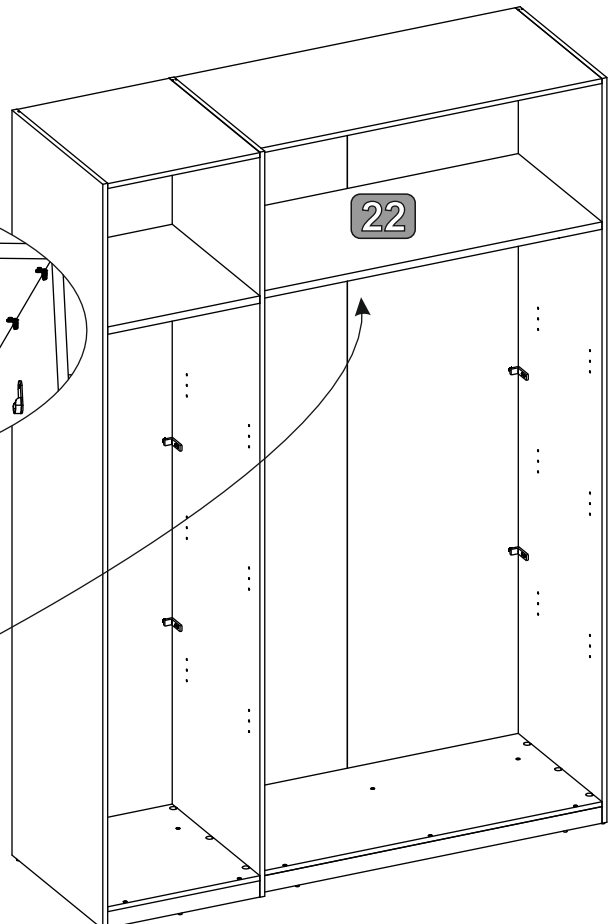
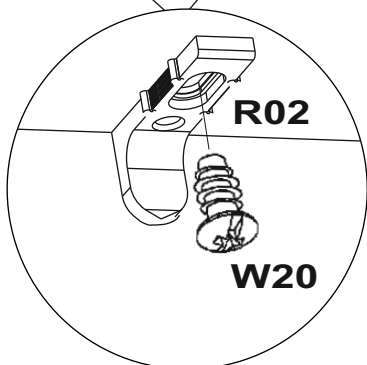
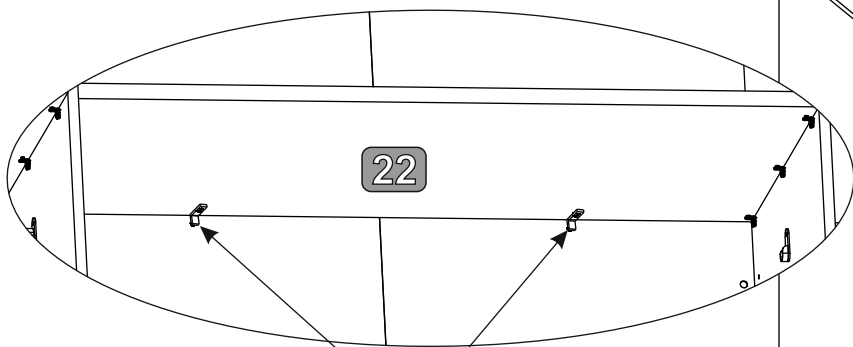
2x

R02

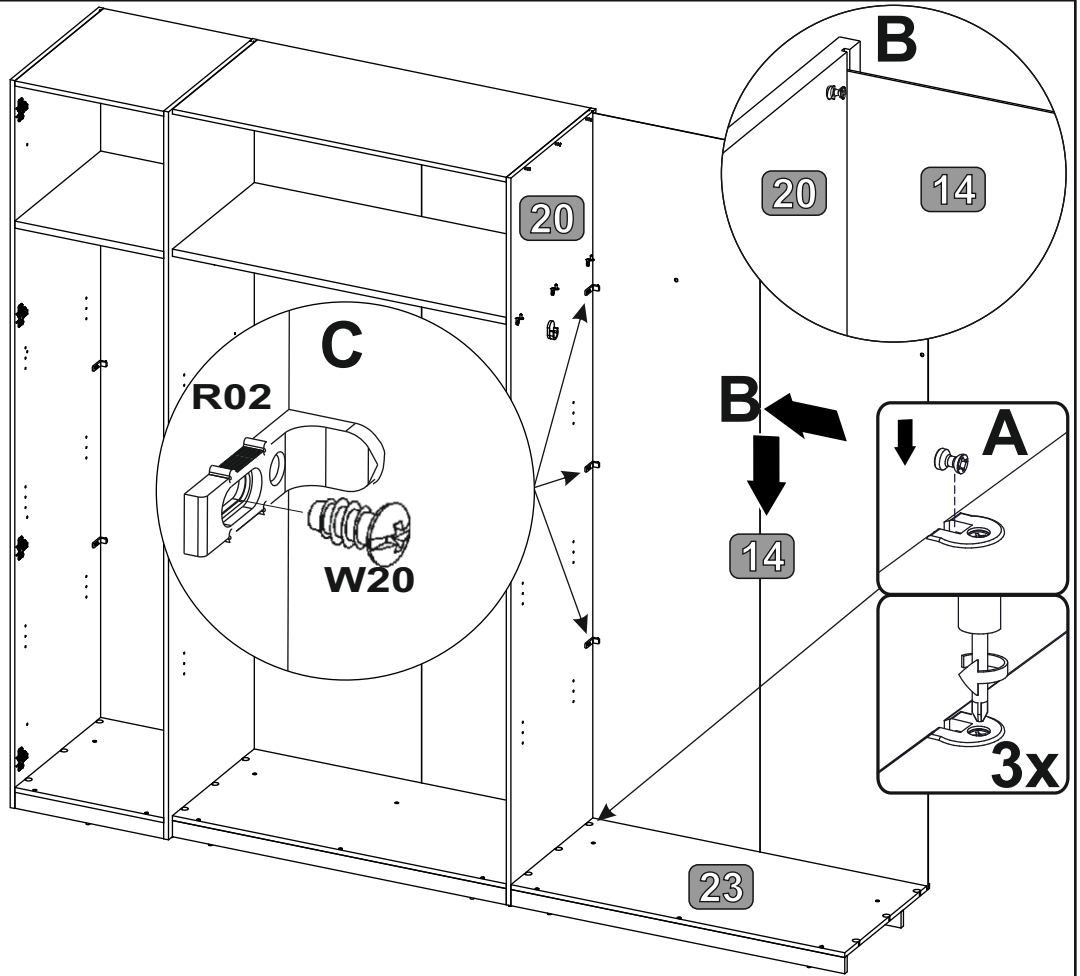
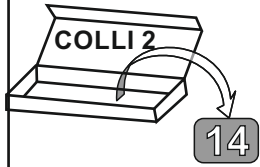
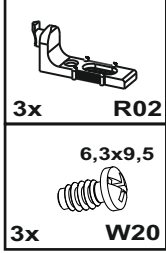


2x

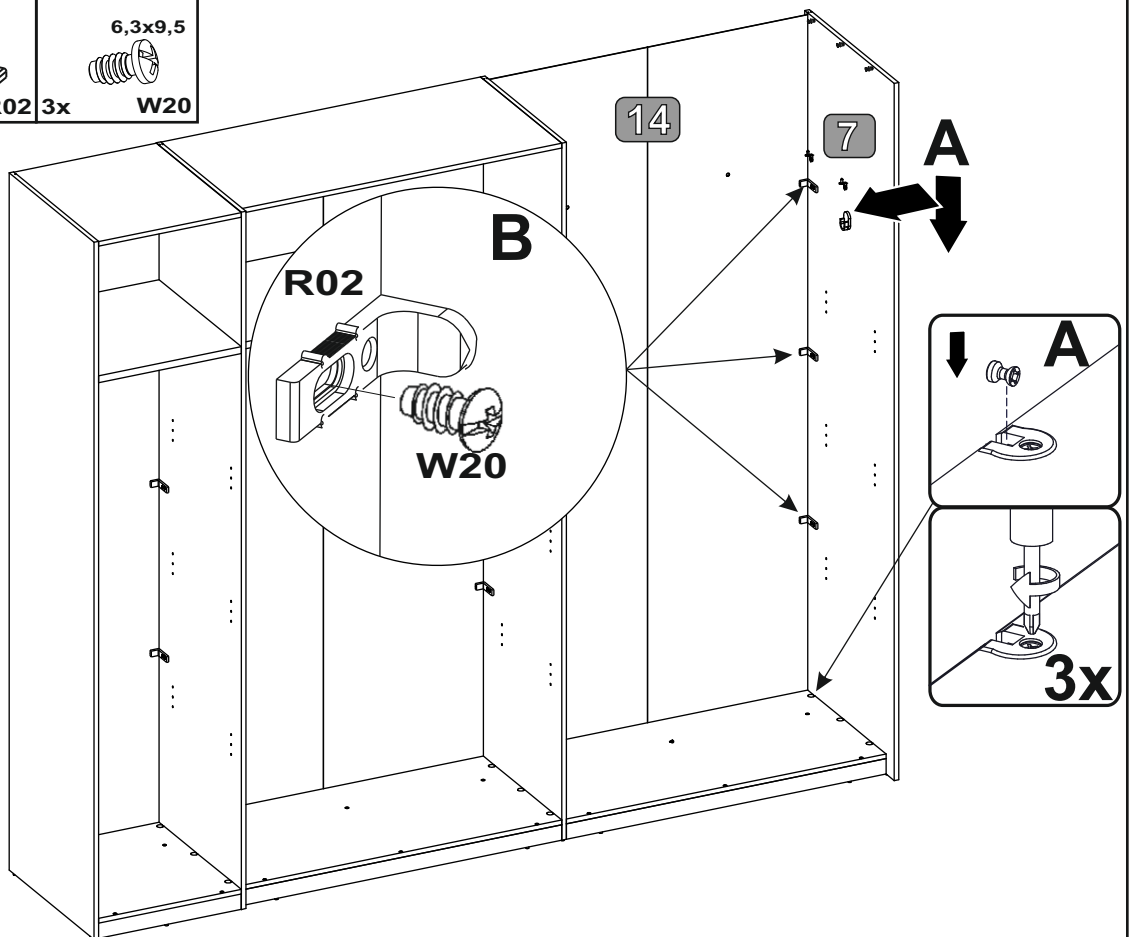
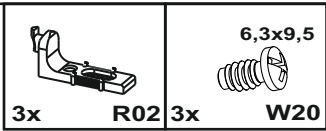
W20



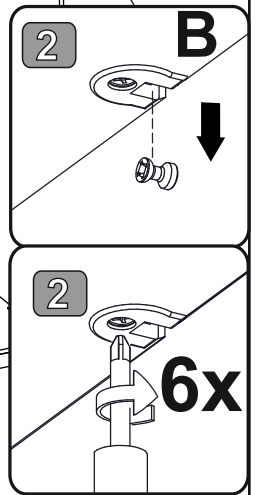
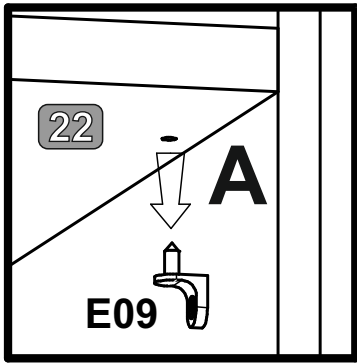
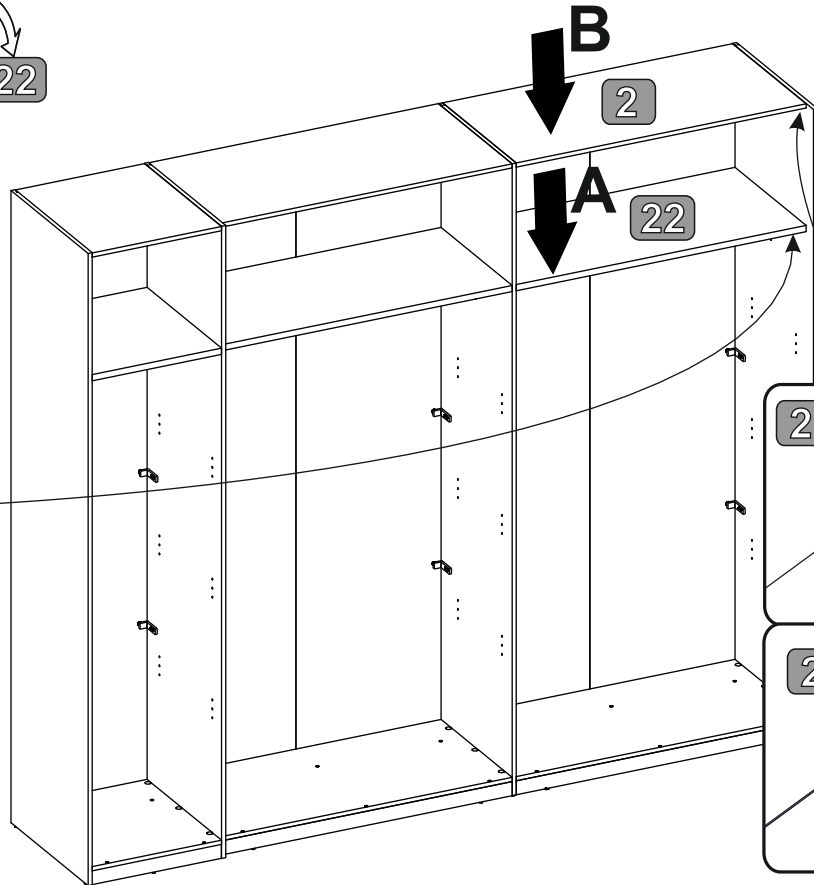
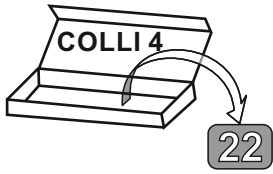
16



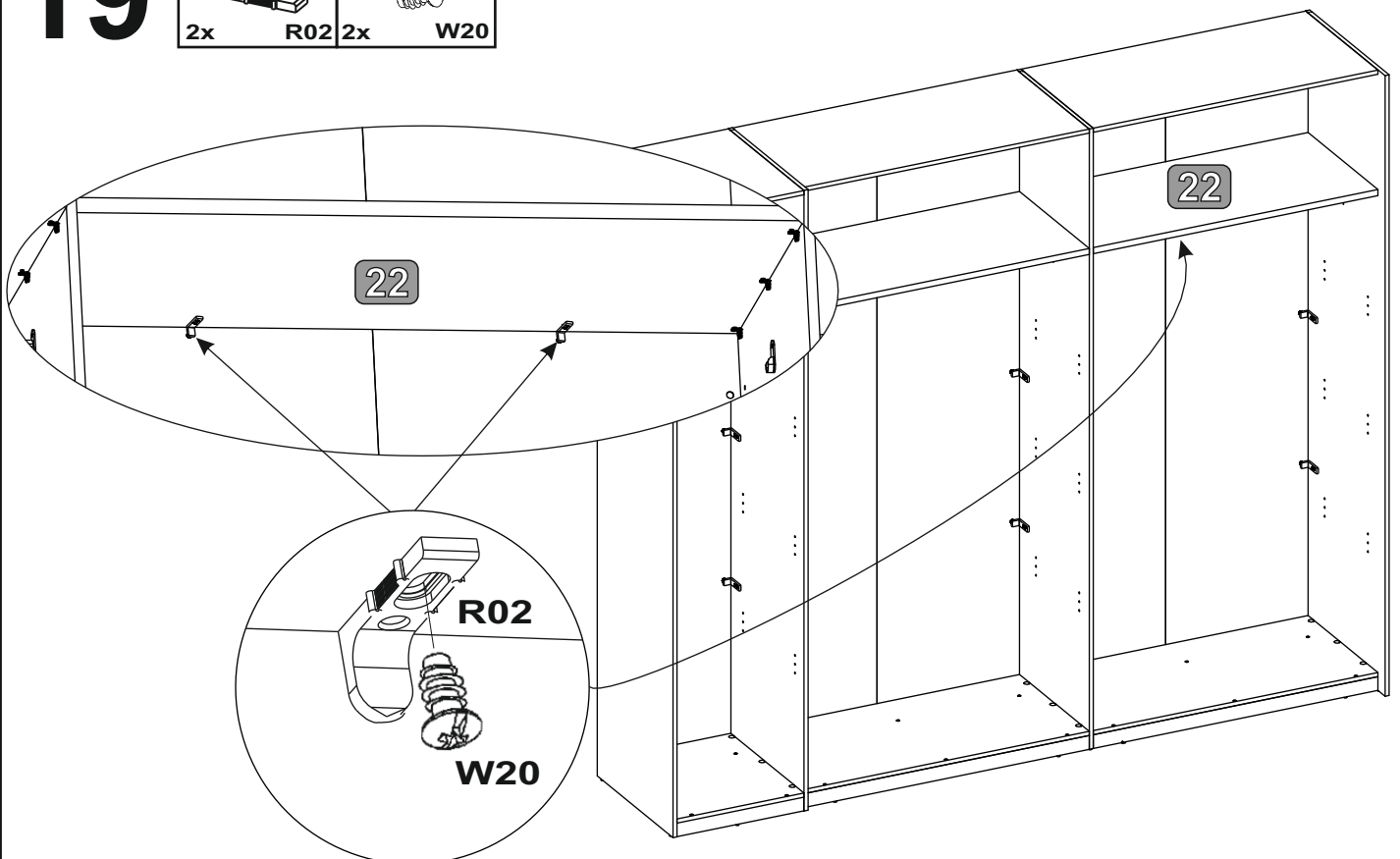
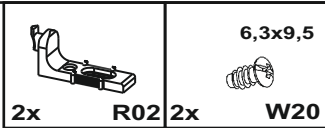
17



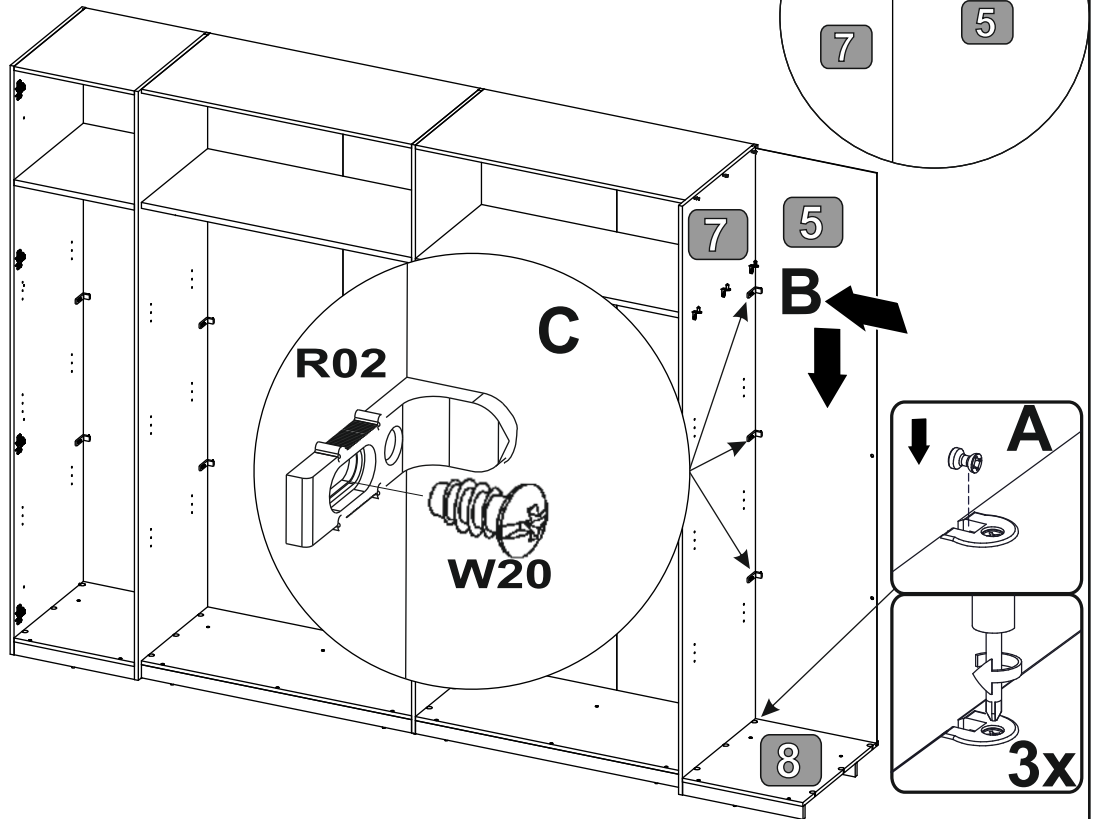
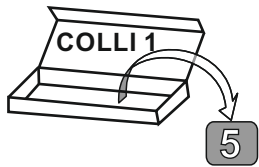
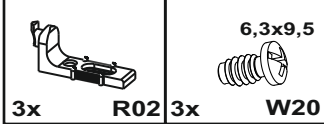
18



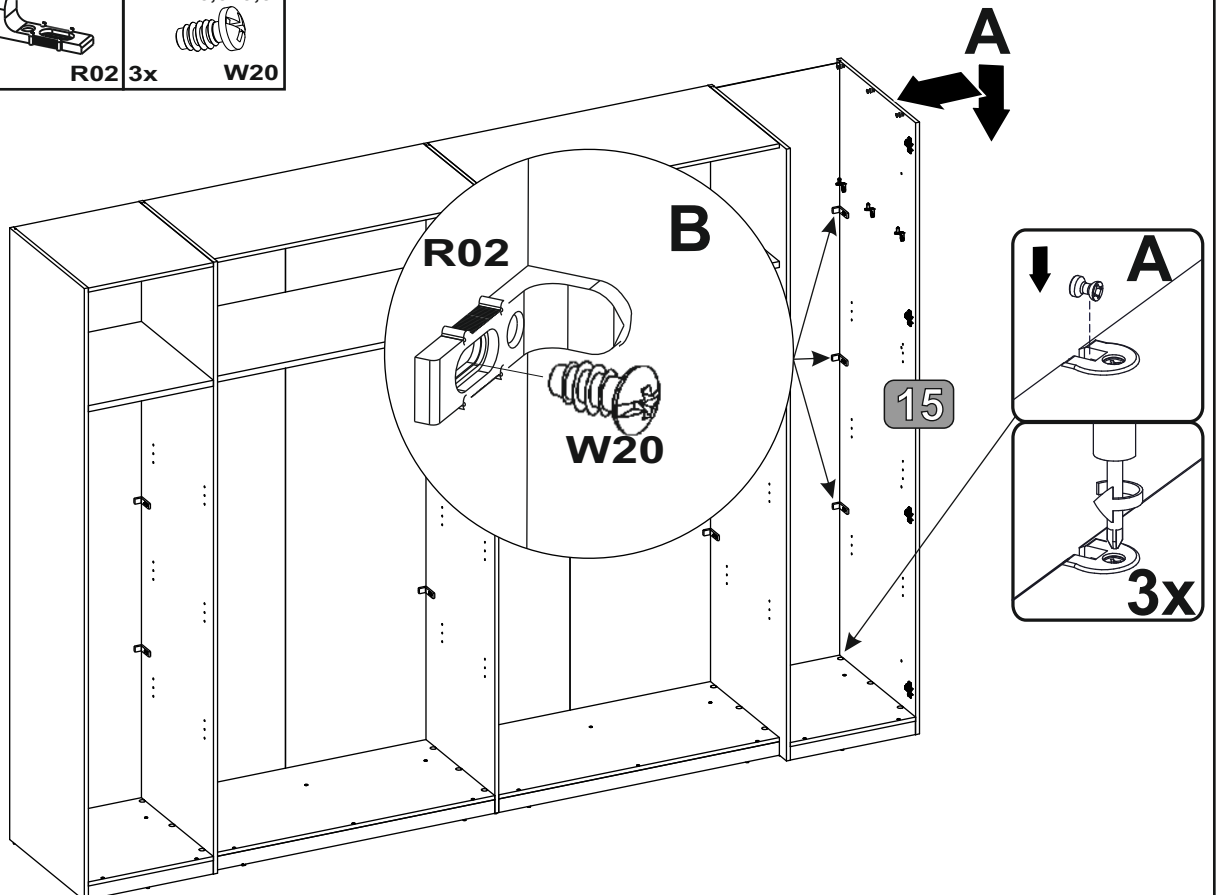
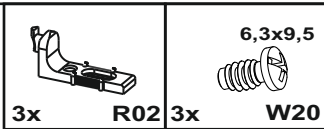
19



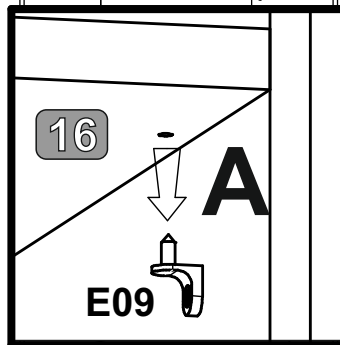
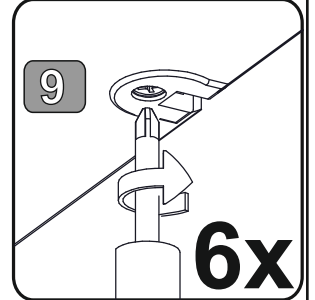
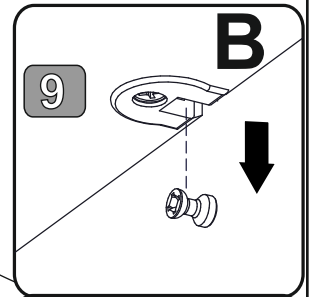
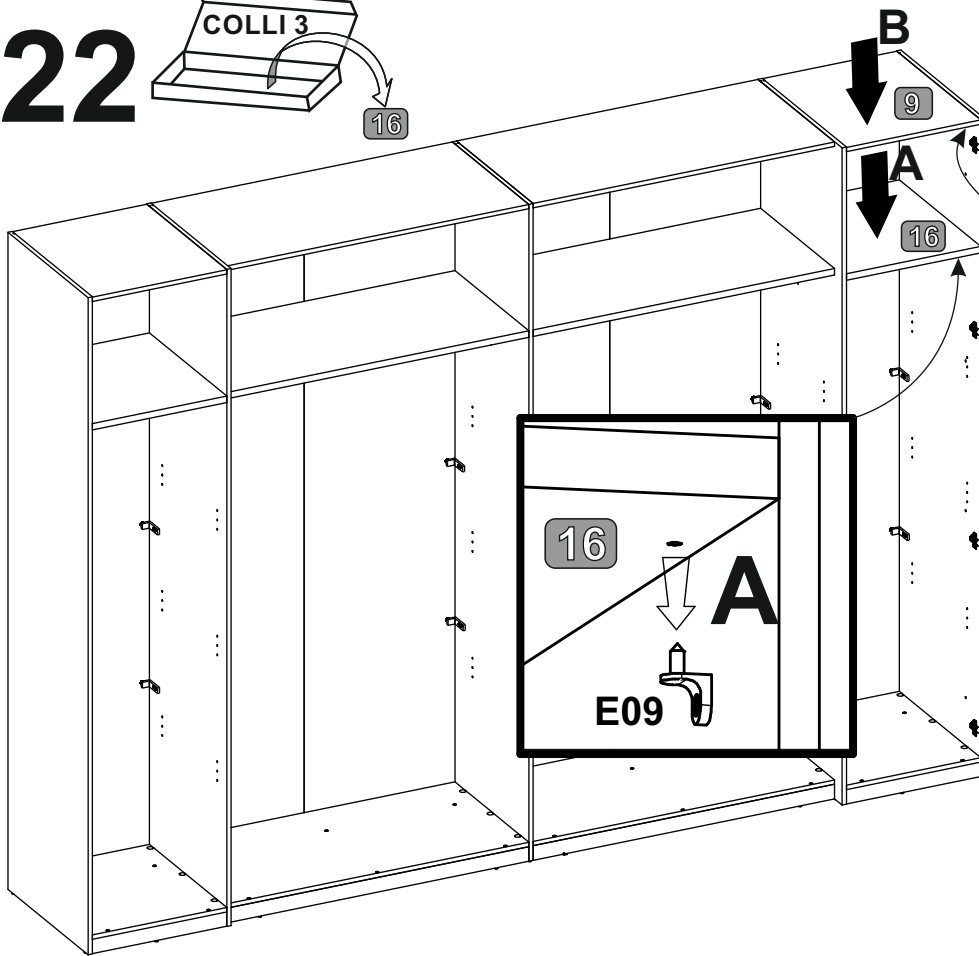
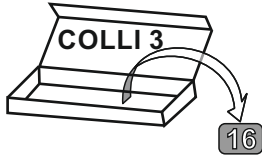
20



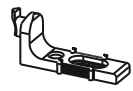
21



22



23

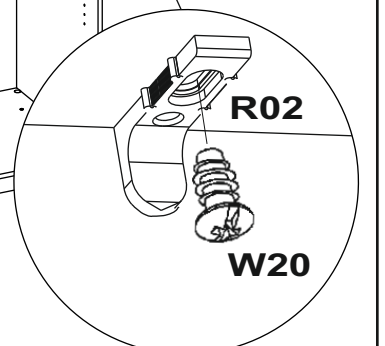
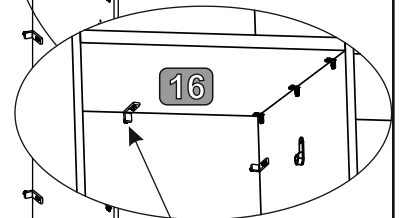
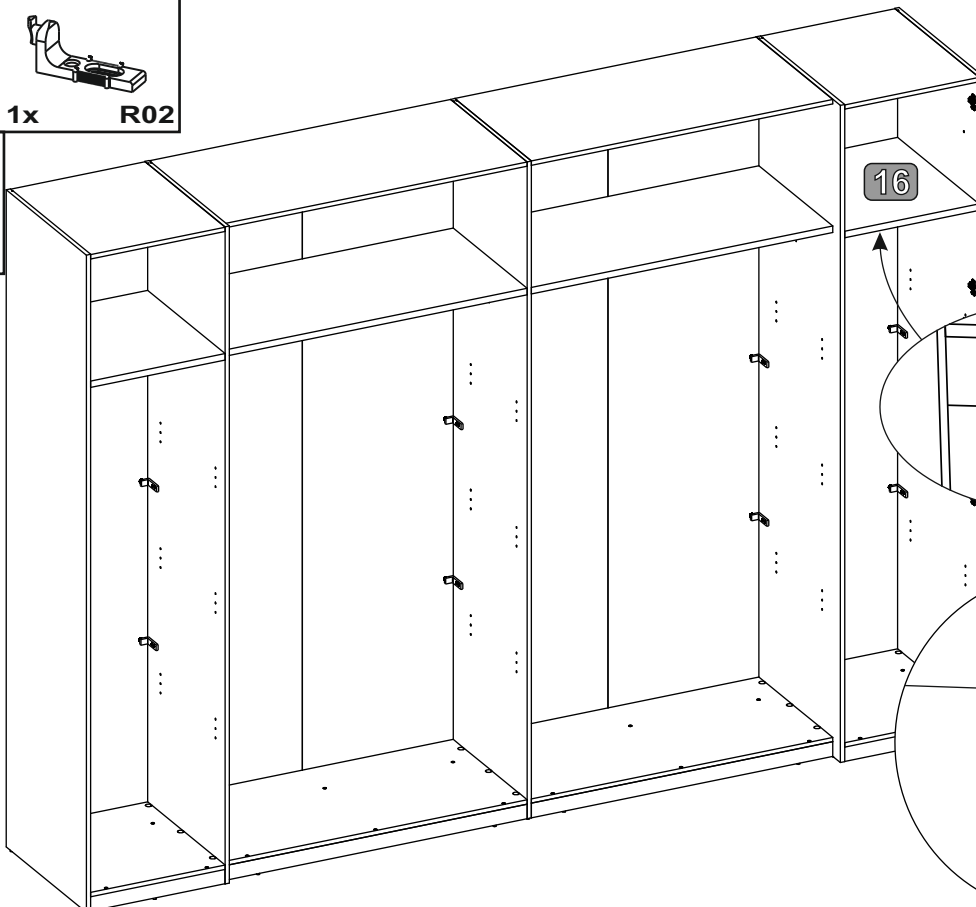


1x

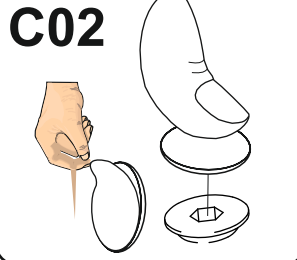
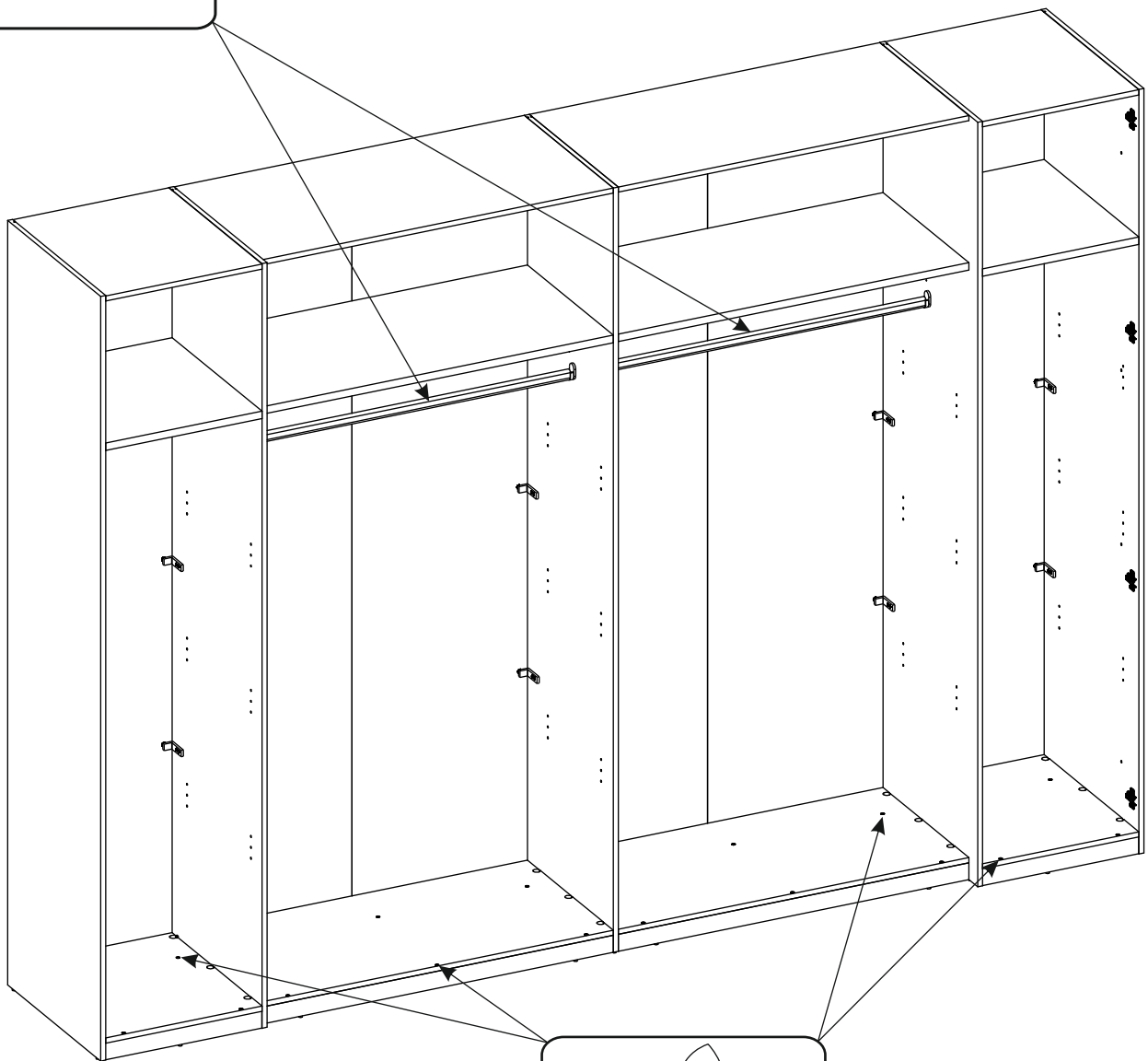
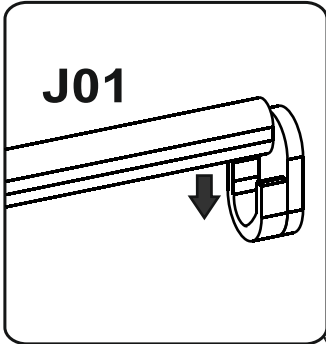
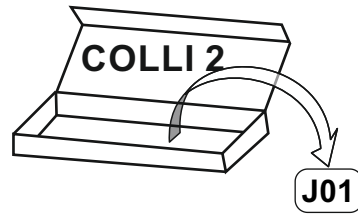
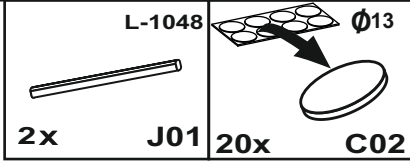
6,3x9,5




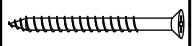



1x

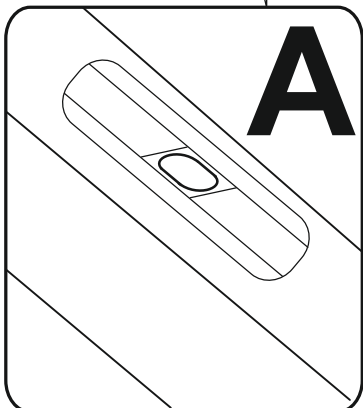
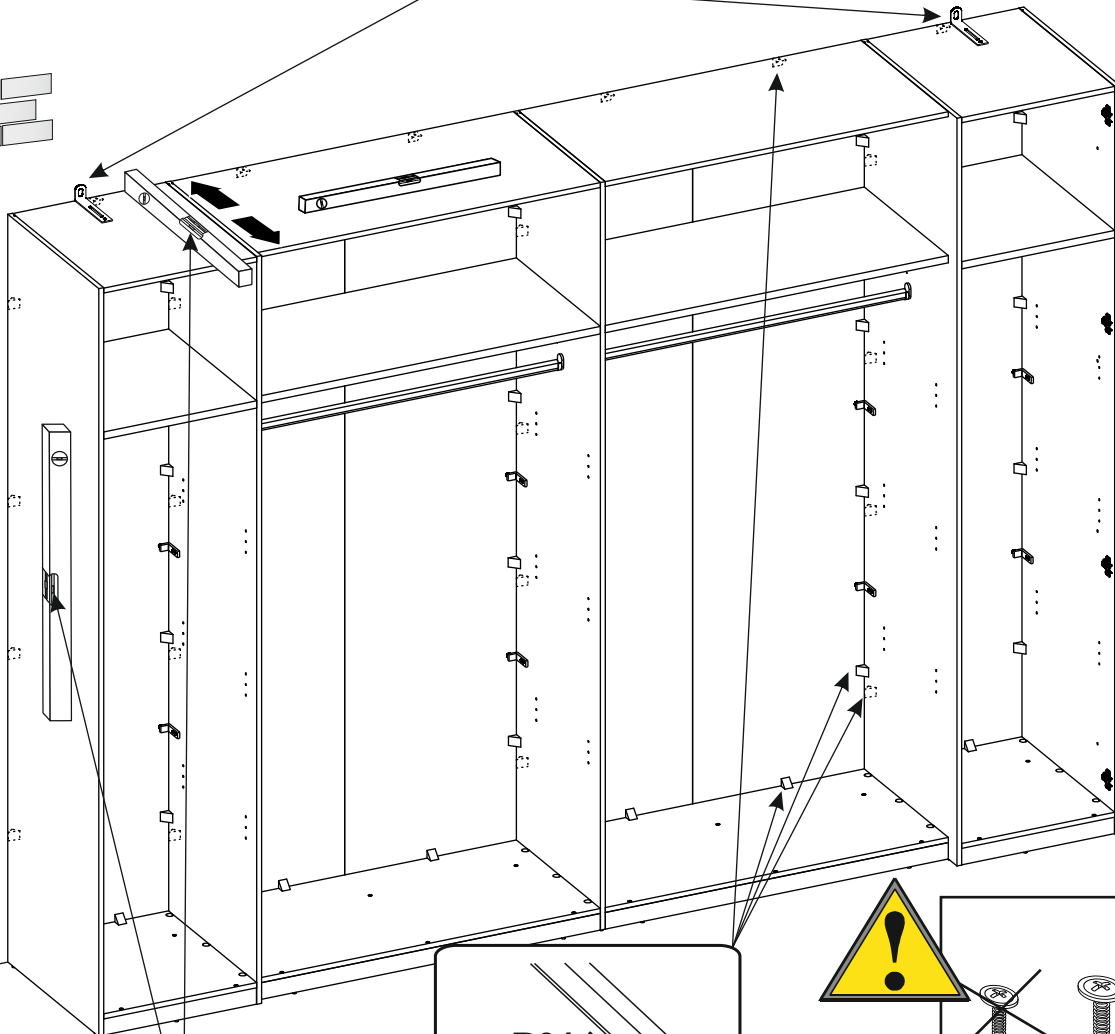
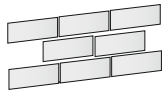
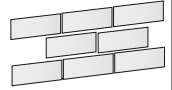
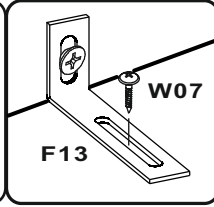
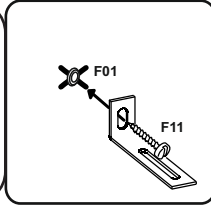
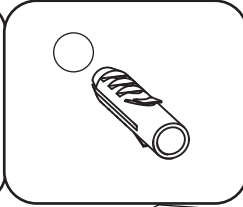
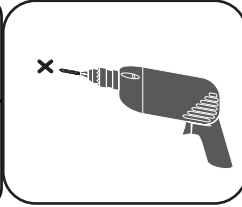
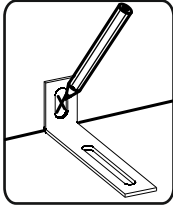


24

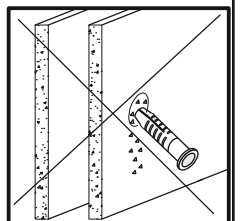
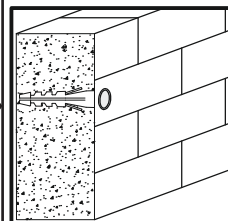
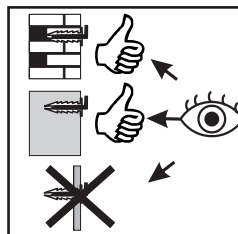
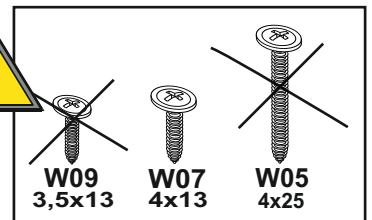
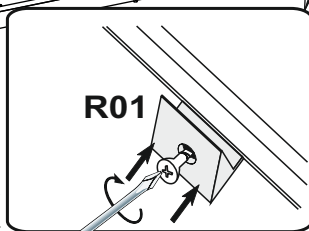


25

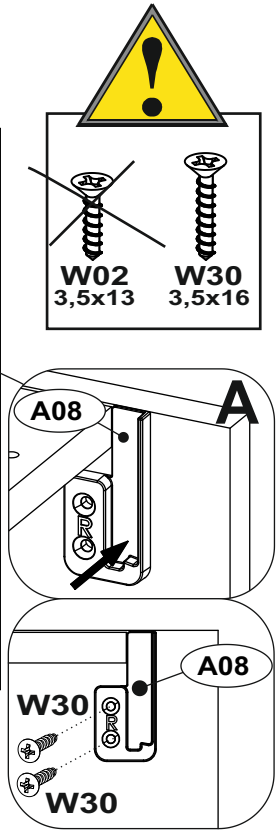
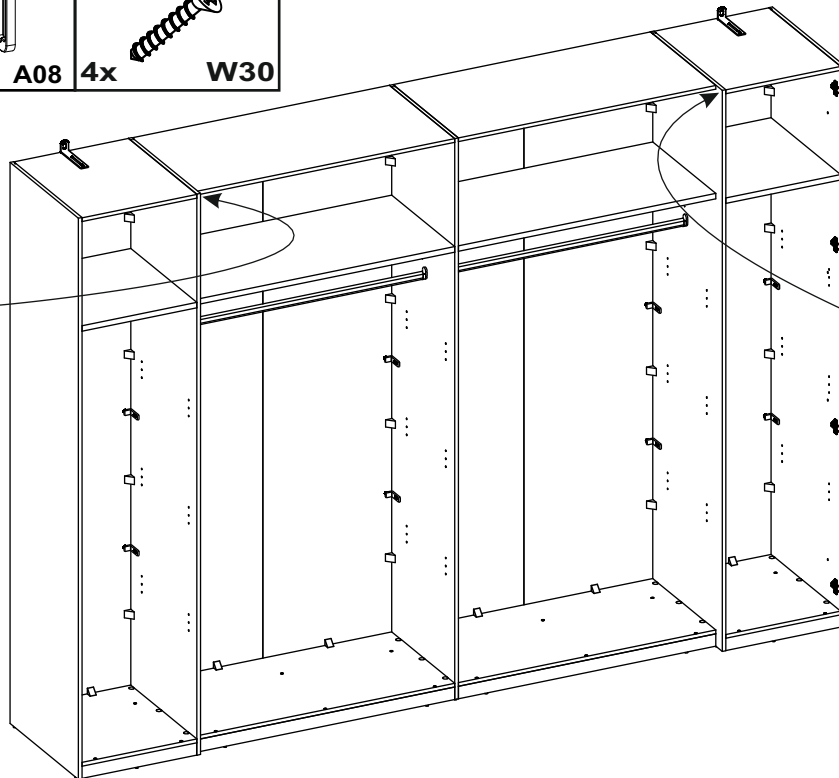
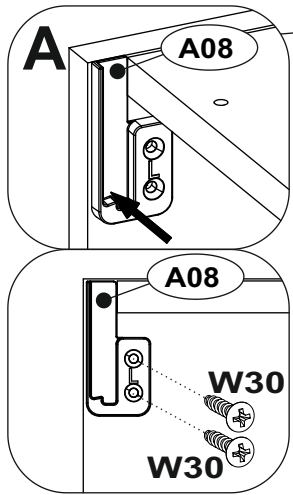
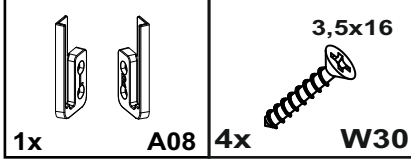
 2x F01	 2x F11	 2x F13	 4x13 2x W07	 44x R01
---	---	---	---	--



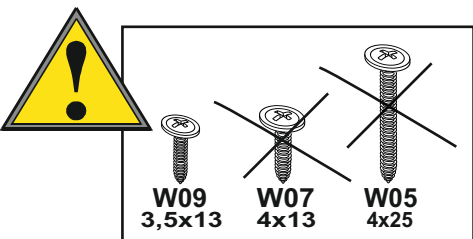
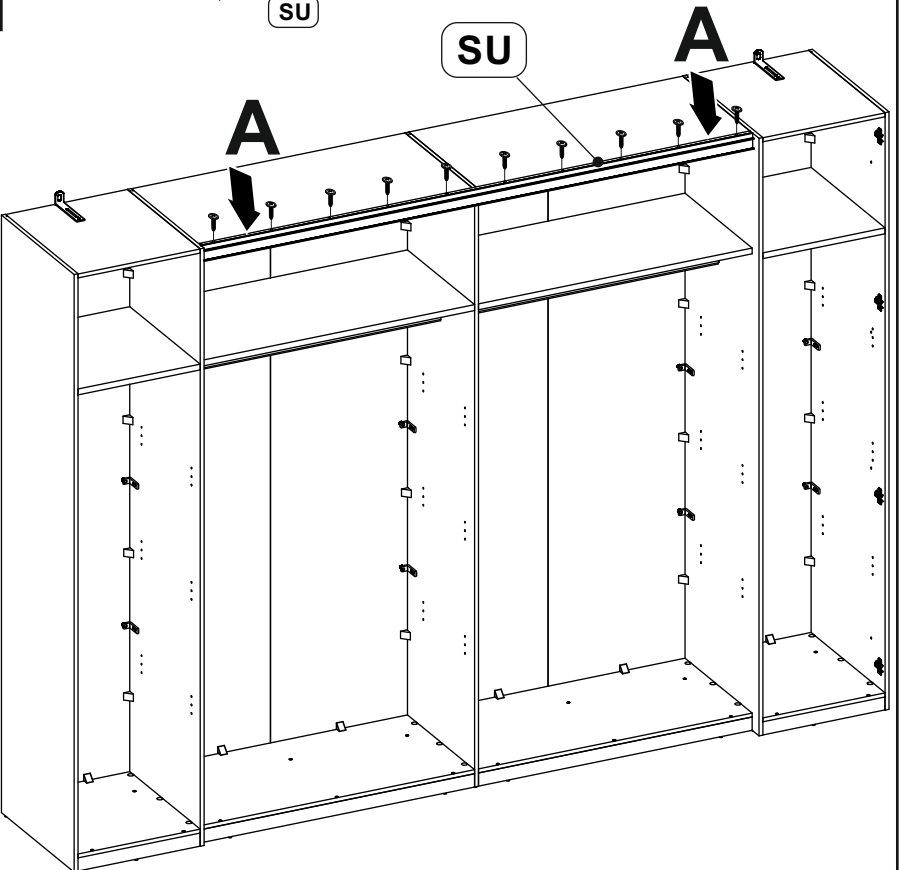
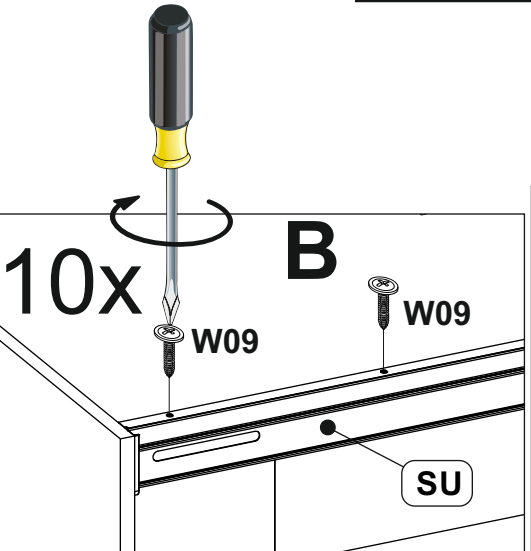
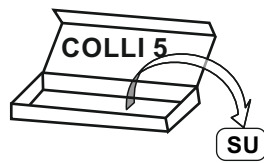
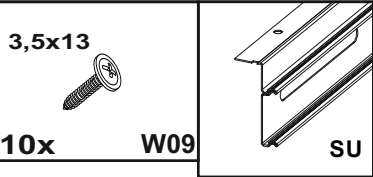
44x



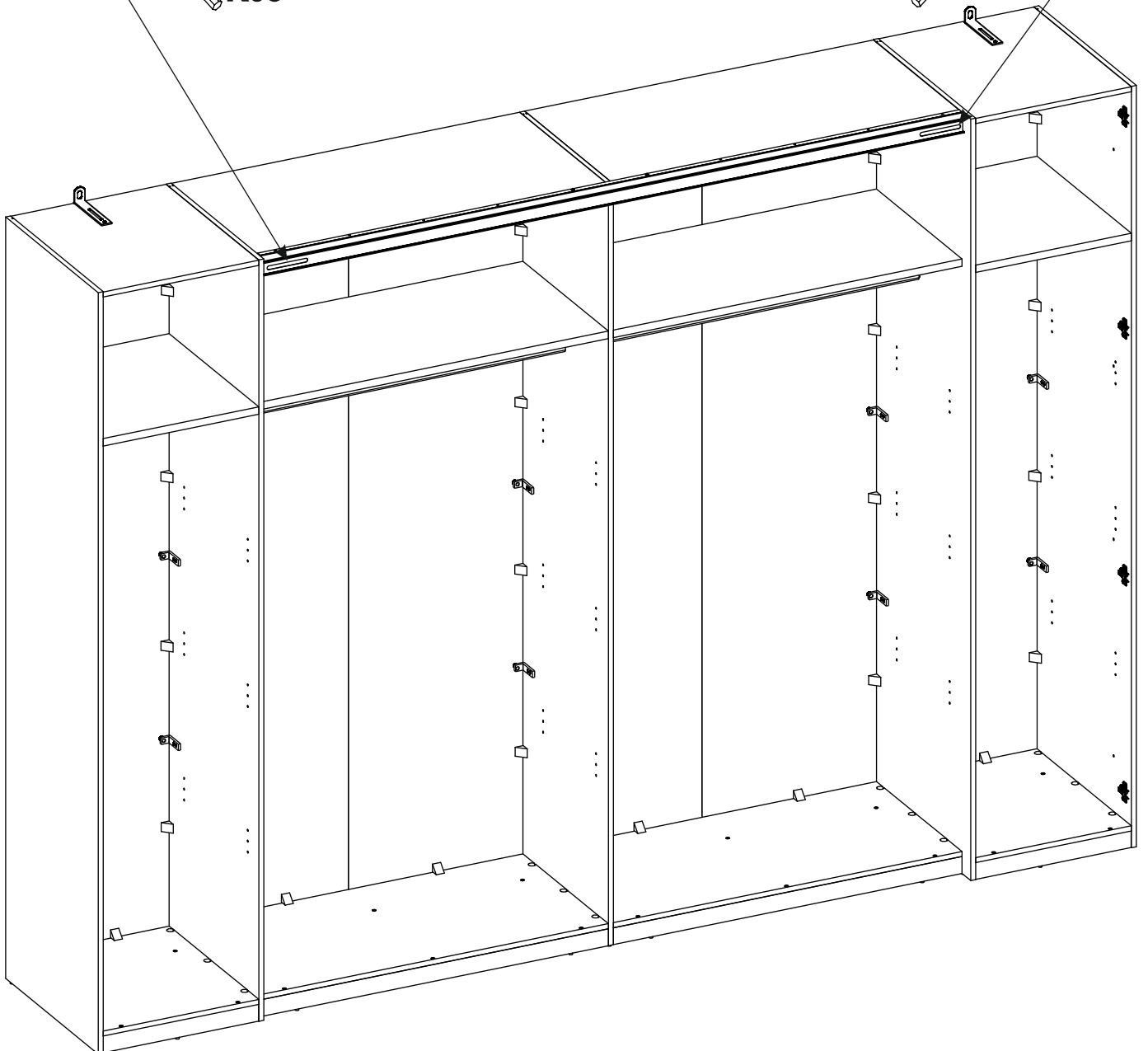
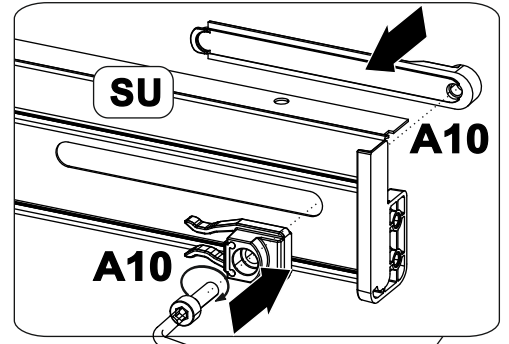
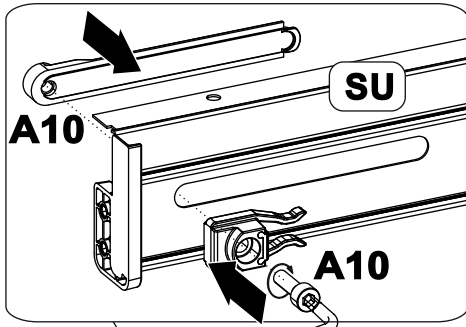
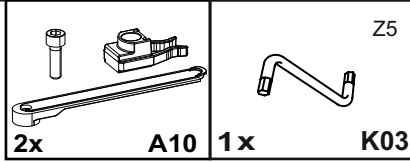
26



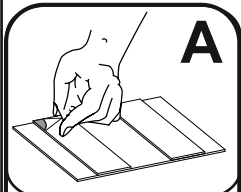
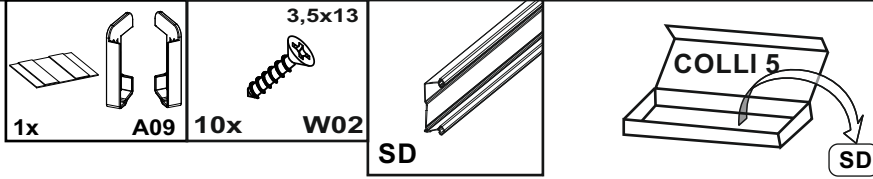
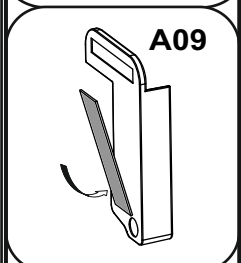
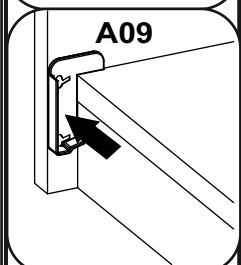
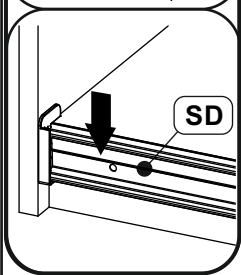
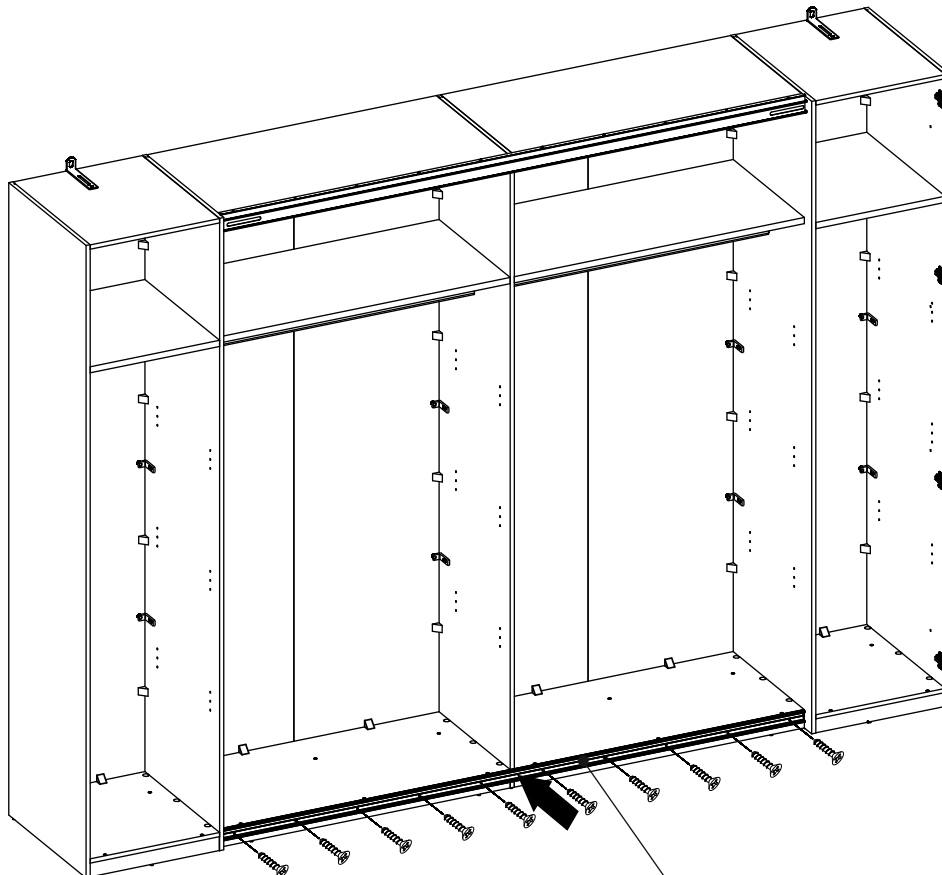
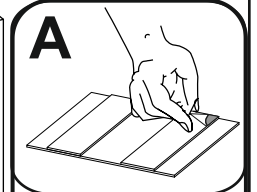
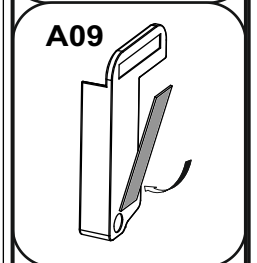
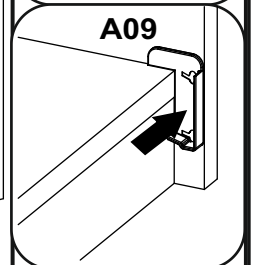
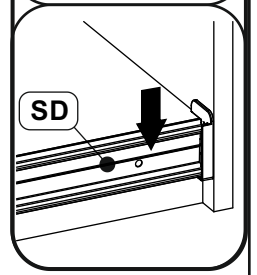
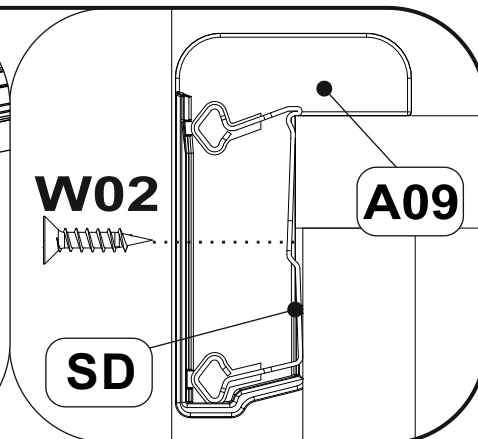
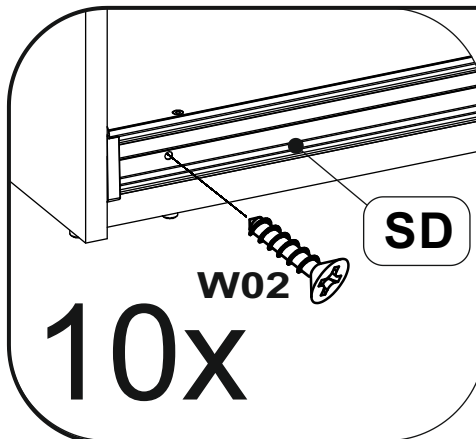
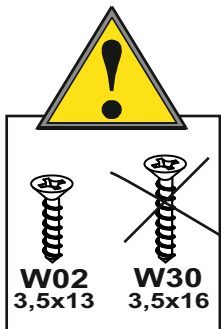
27



28

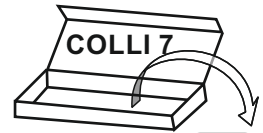


29

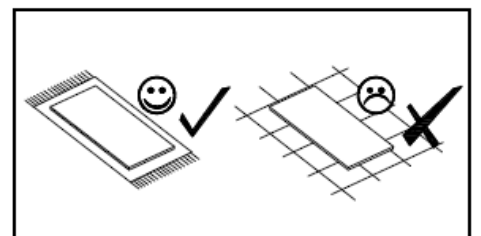
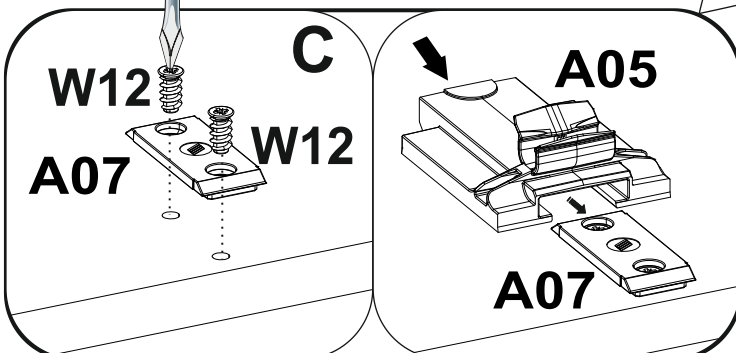
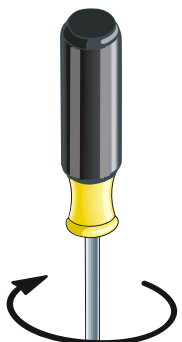
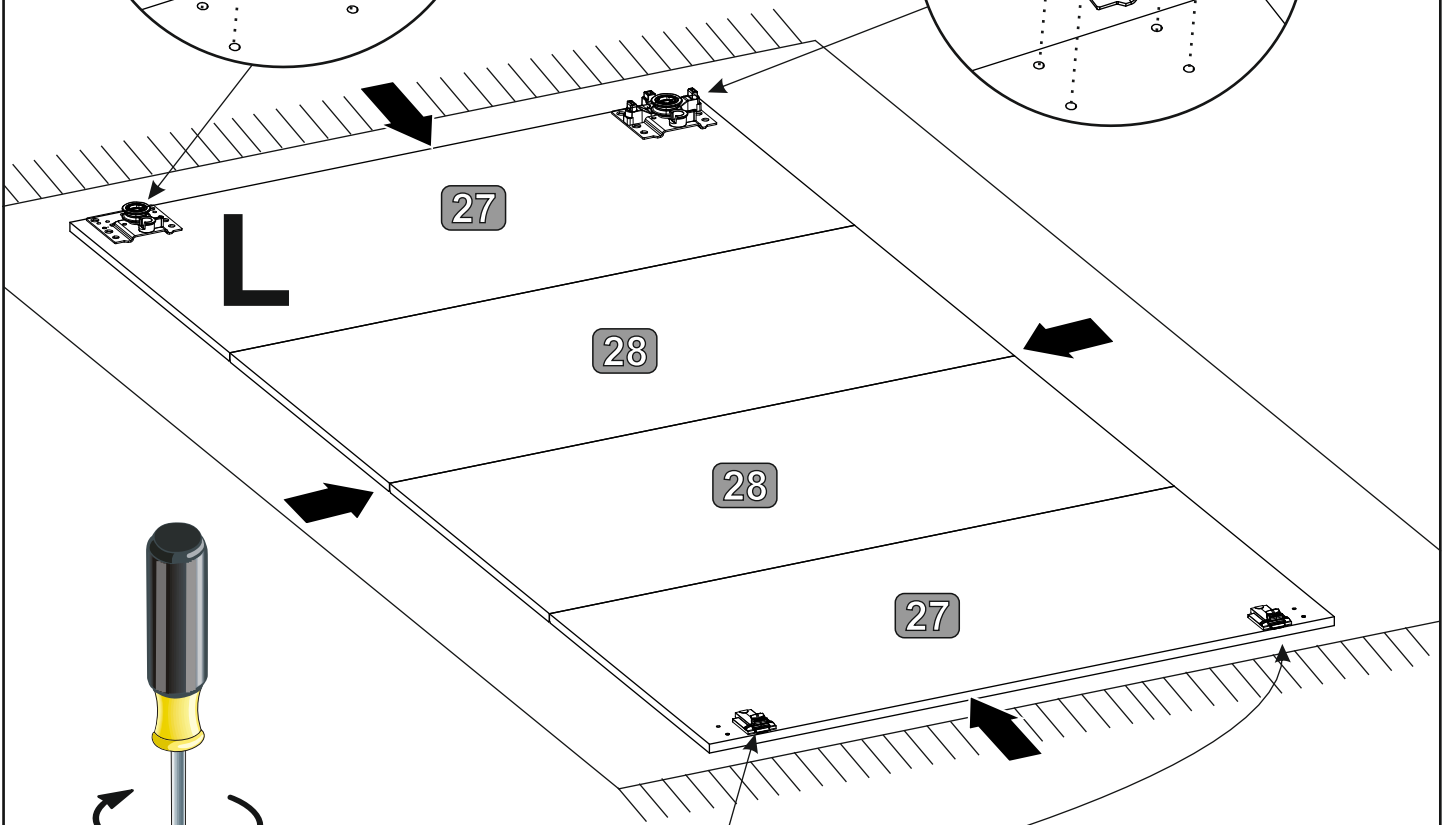
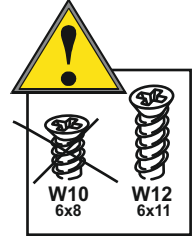
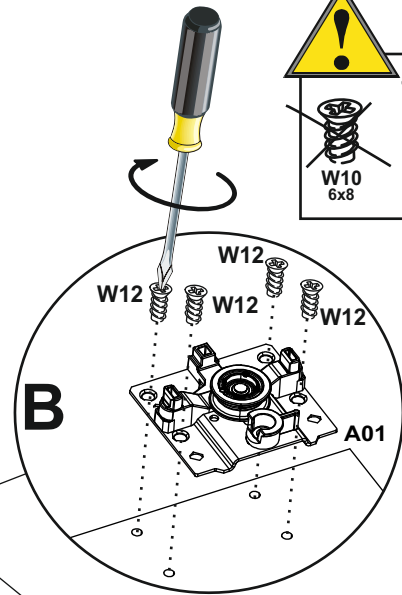
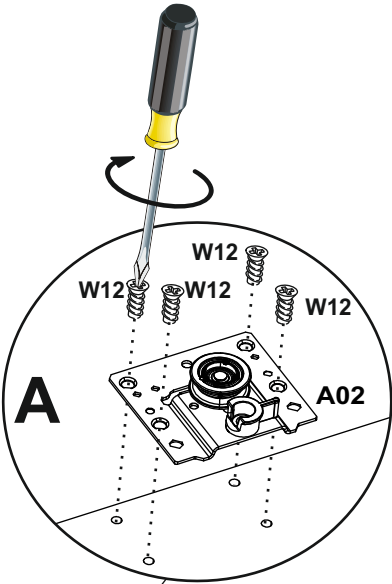
**A****A09****A09****SD****SD****A****A09****A09****SD****B**

30

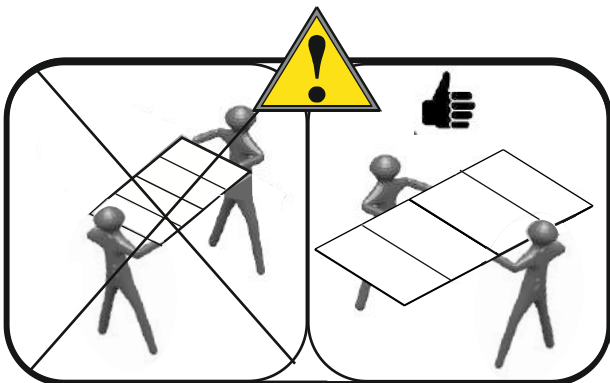
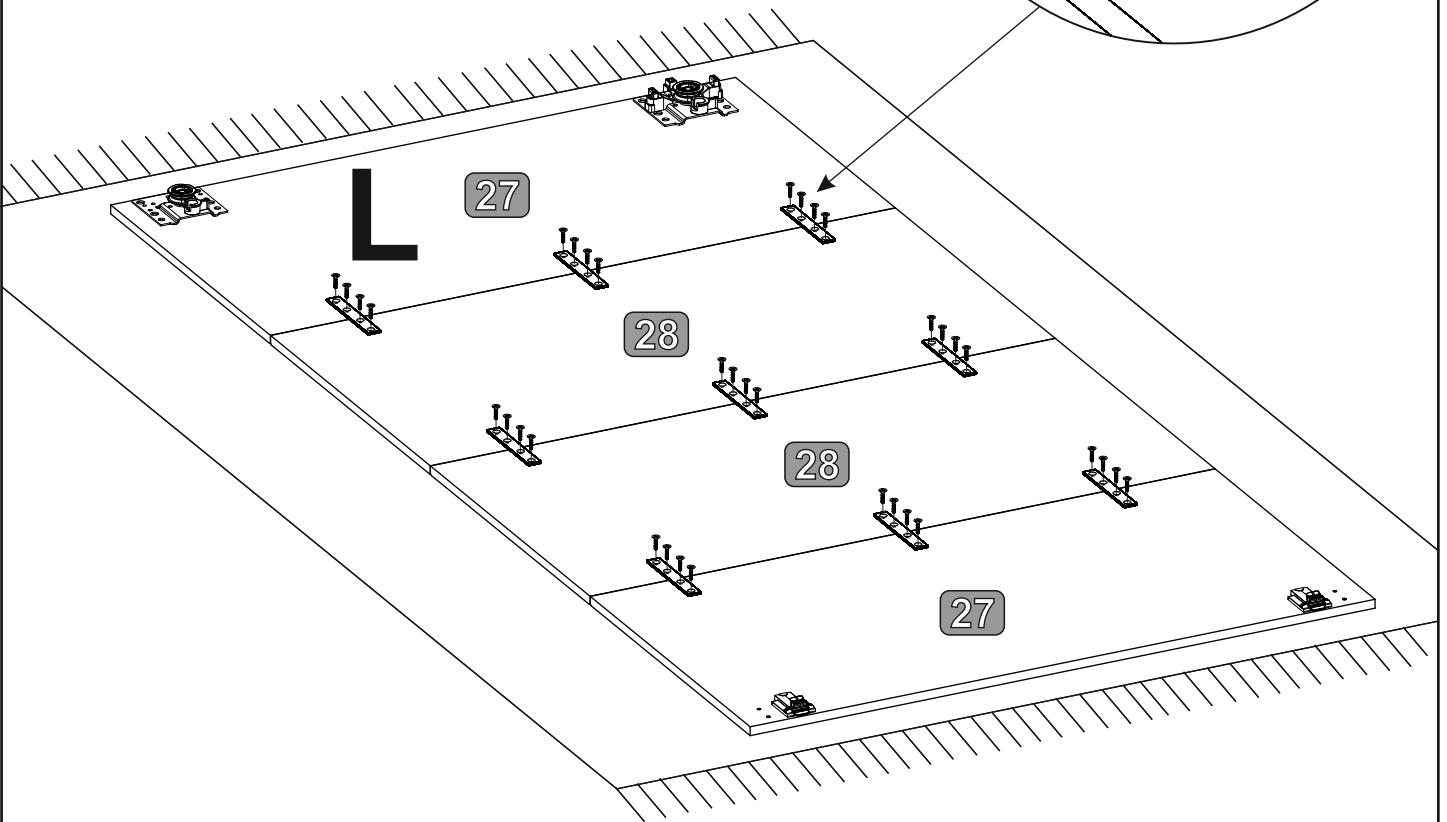
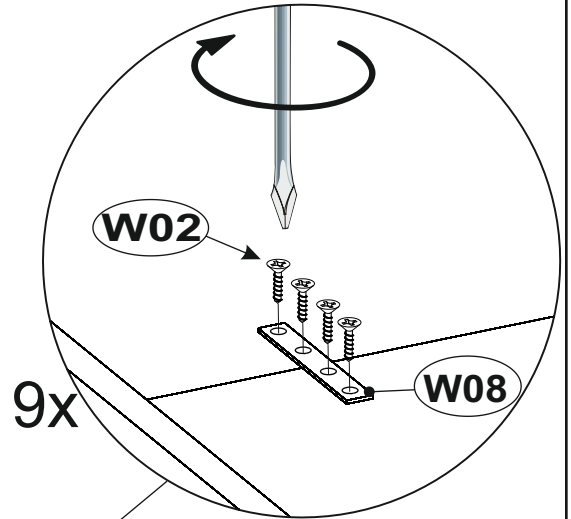
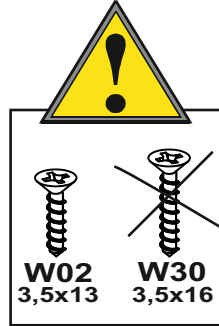
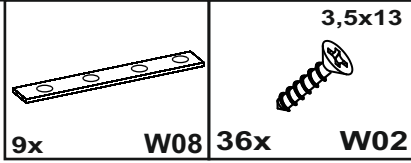
- 2x A07
- 2x A05
- 12x W12
- 1x A01
- 1x A02



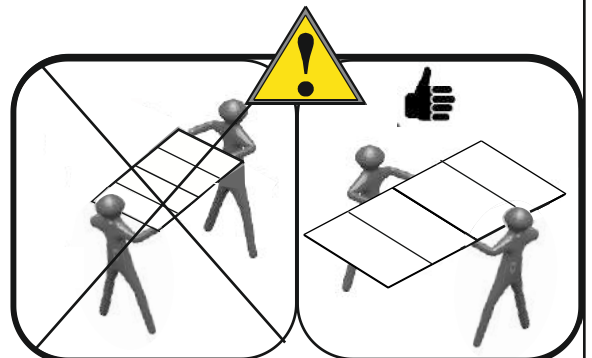
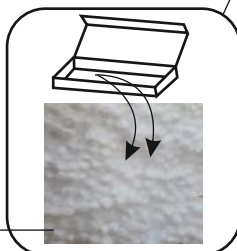
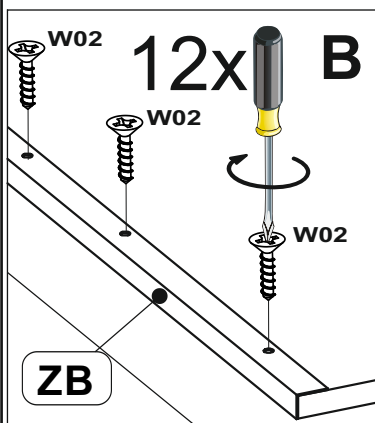
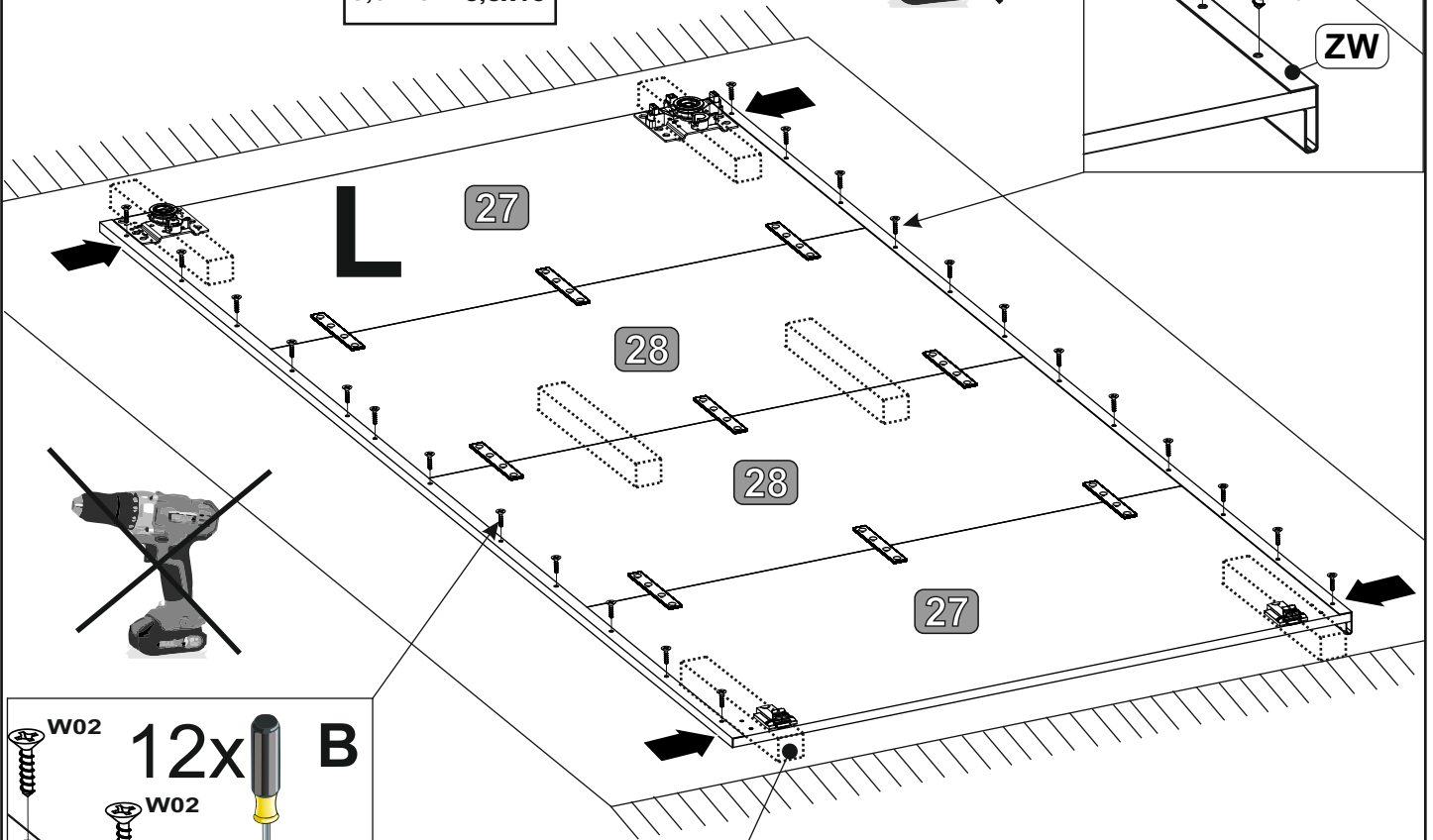
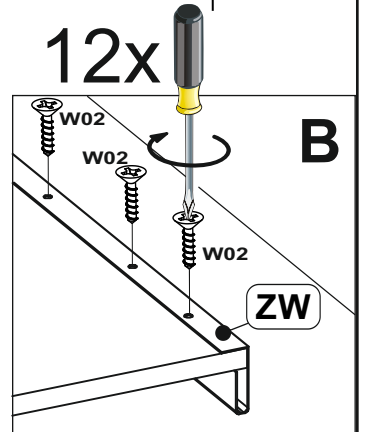
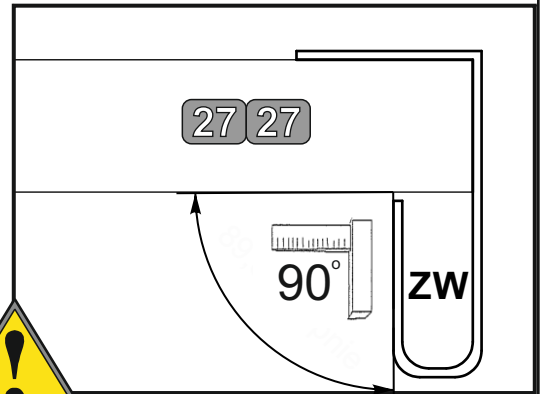
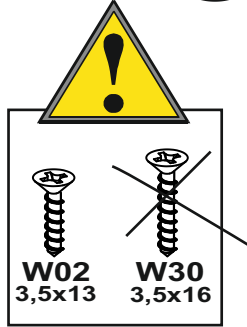
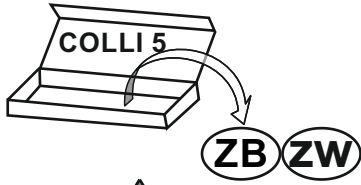
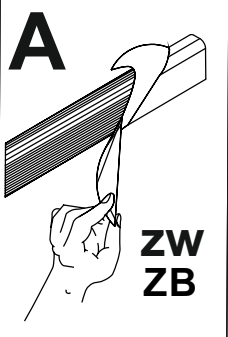
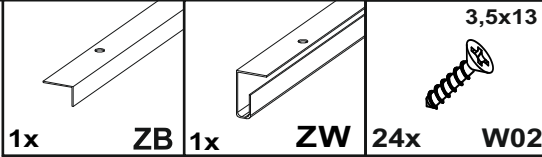
27 28



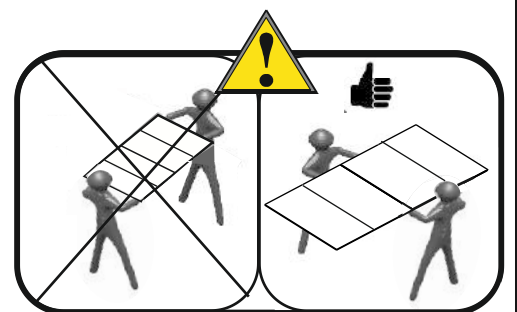
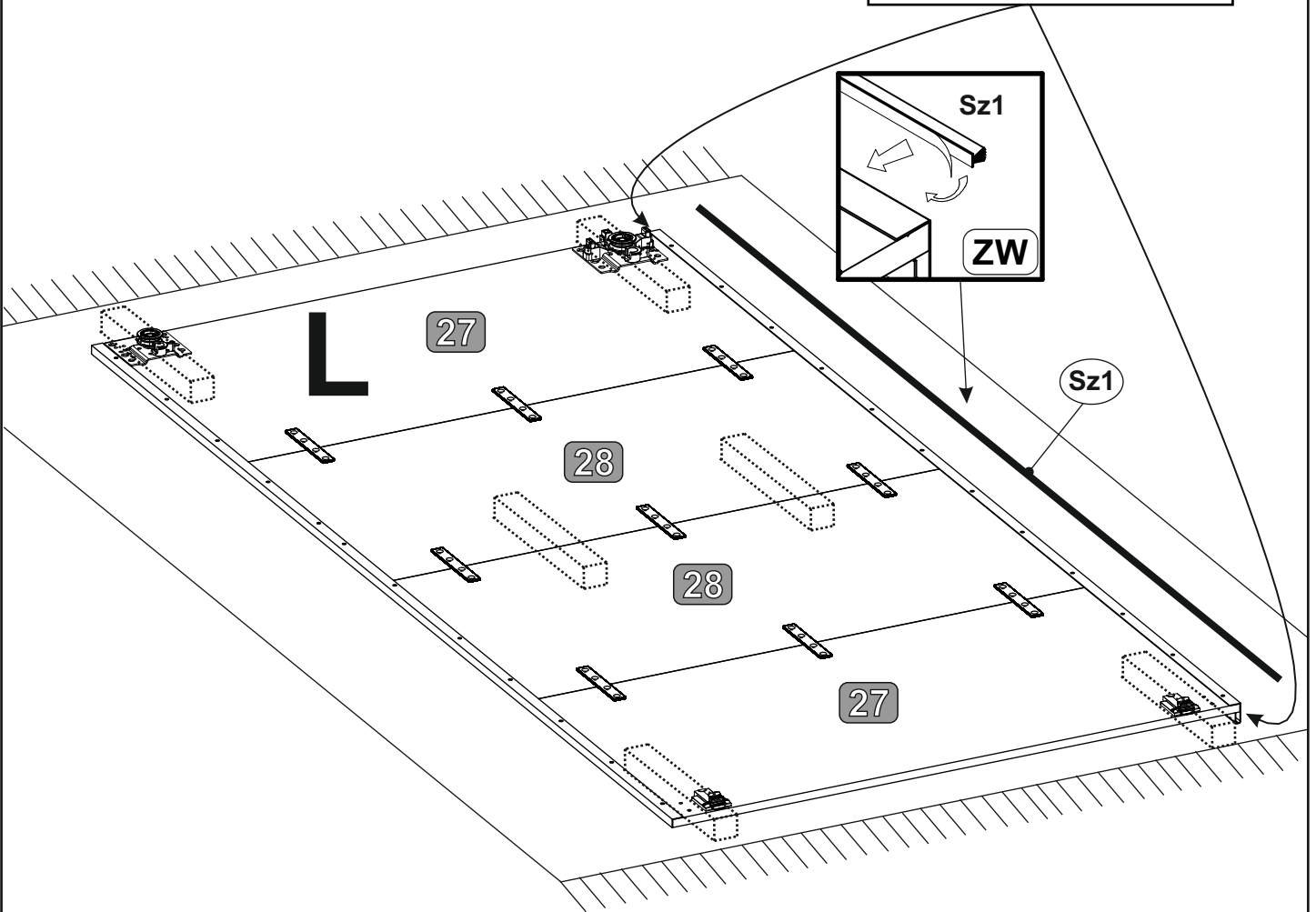
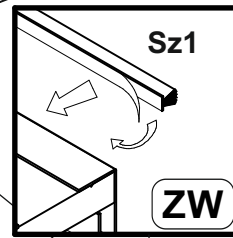
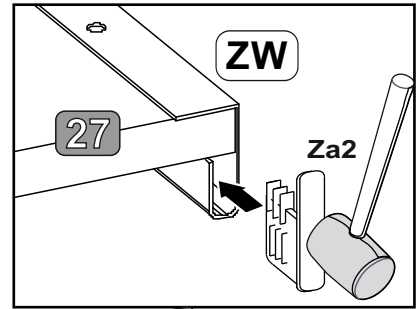
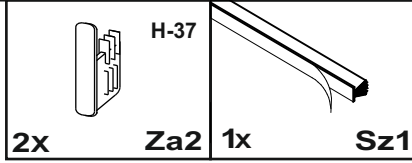
31



32



33



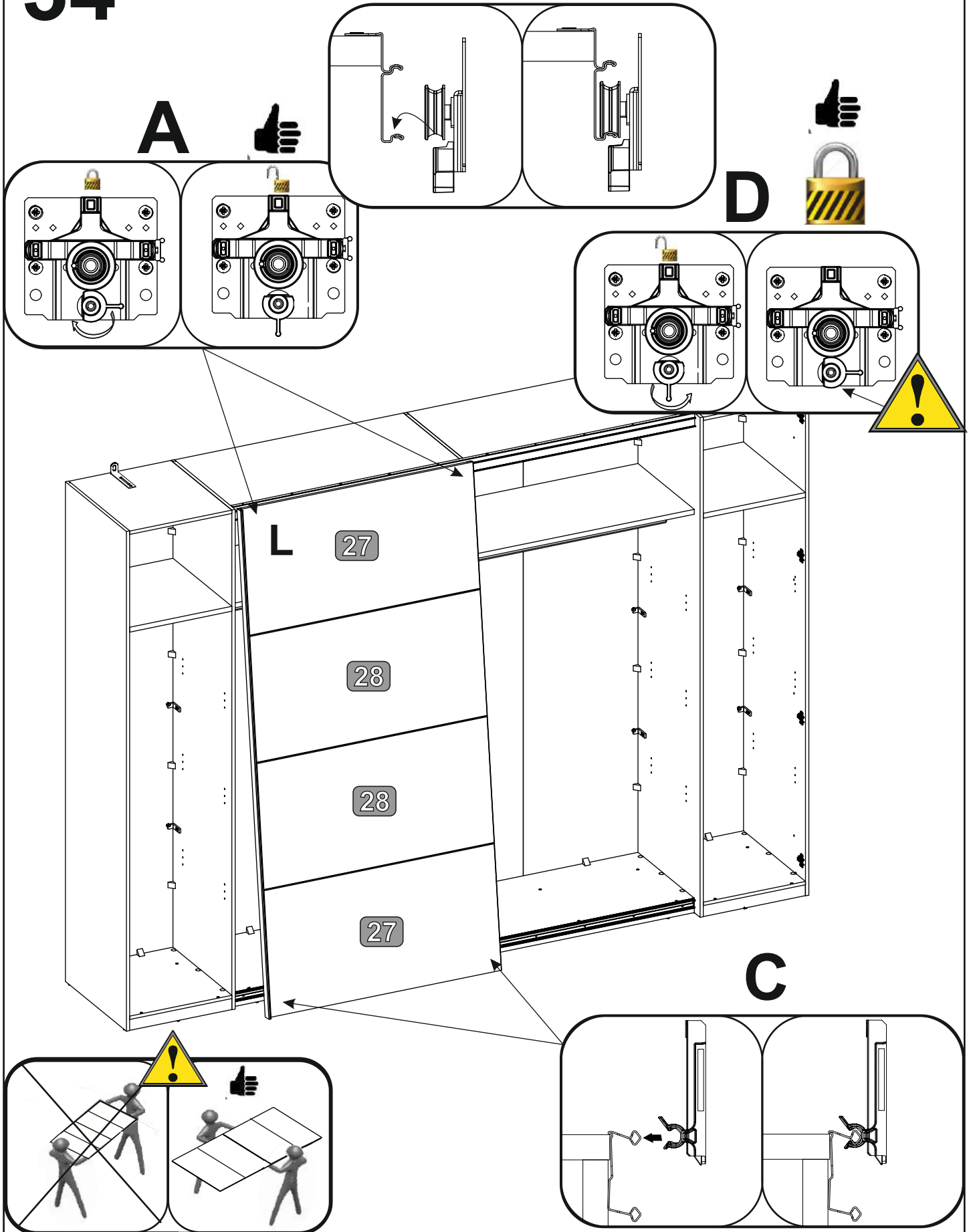
34

B

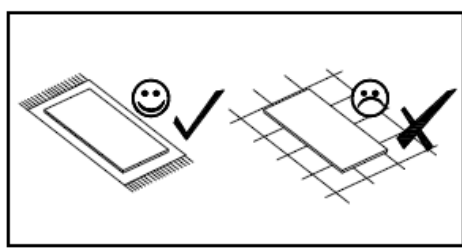
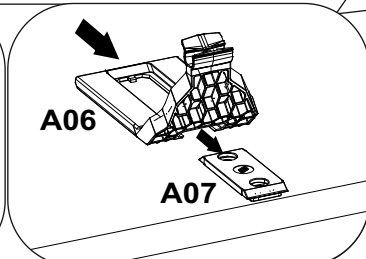
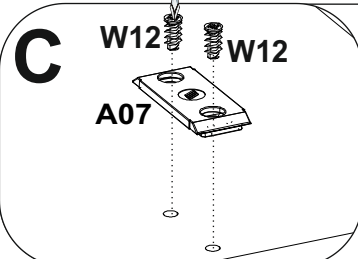
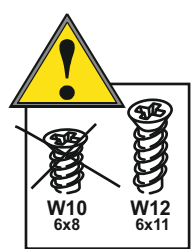
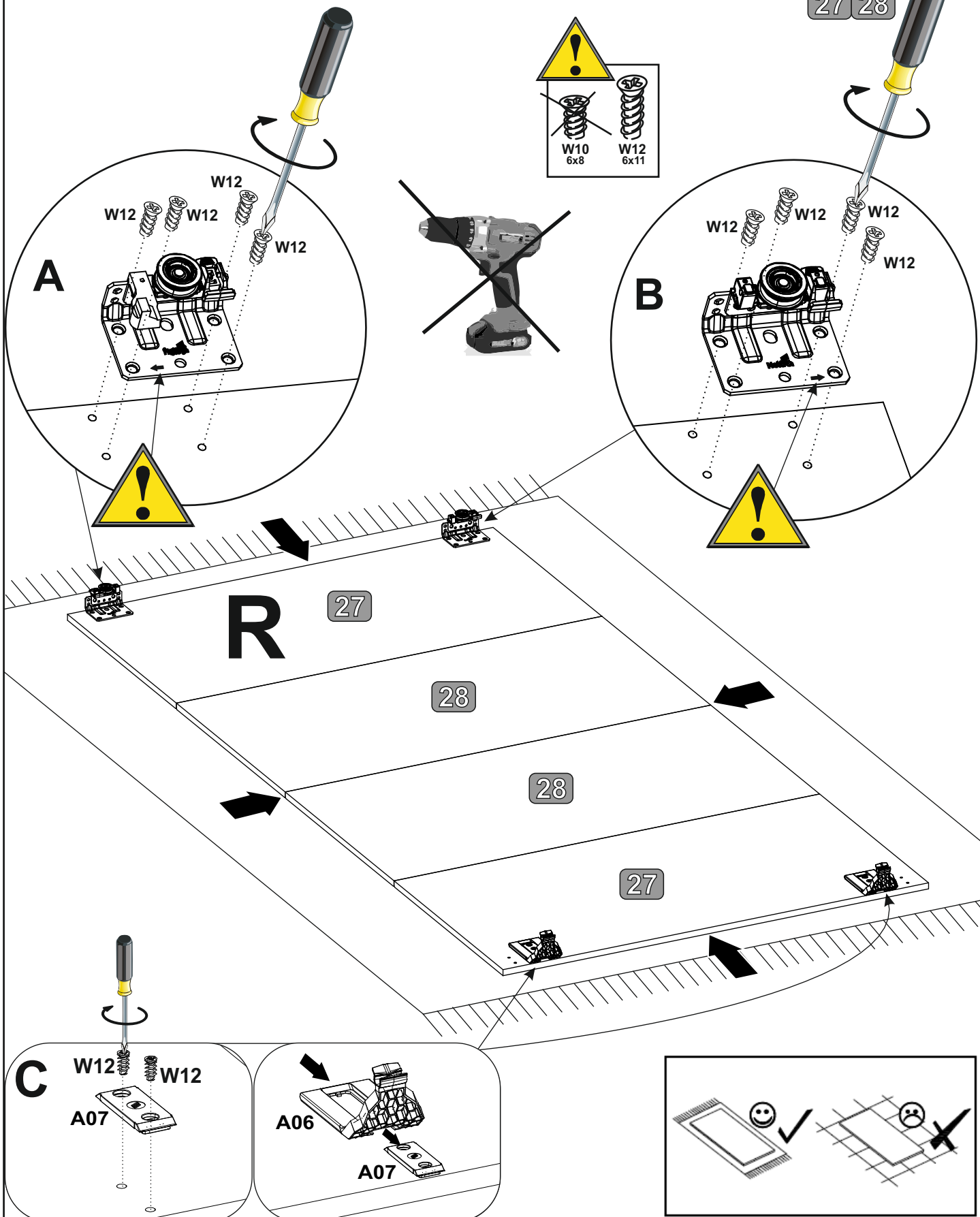
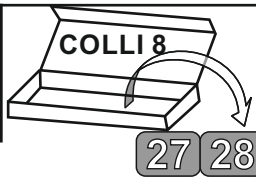
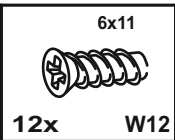
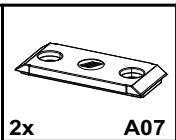
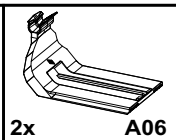
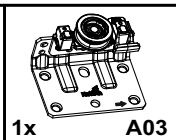
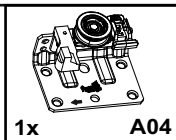
A

D

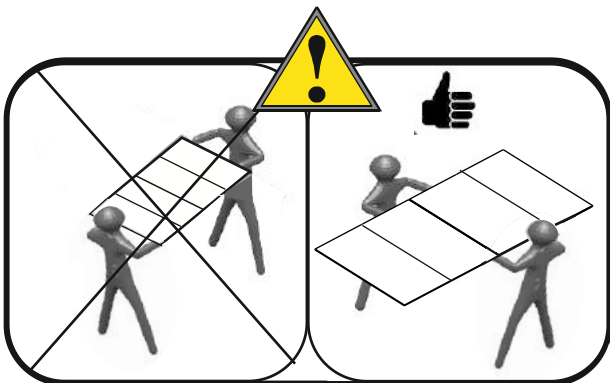
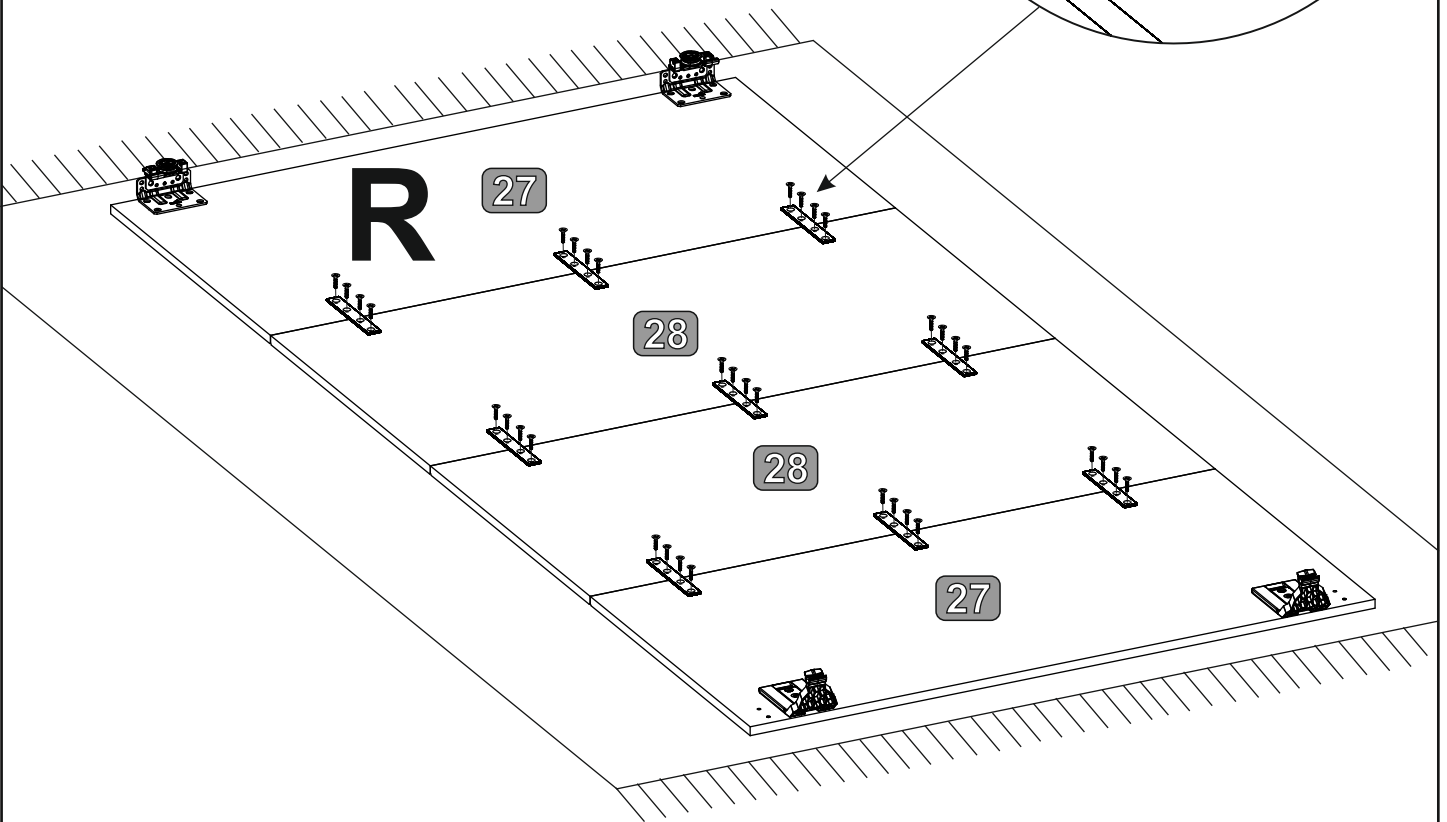
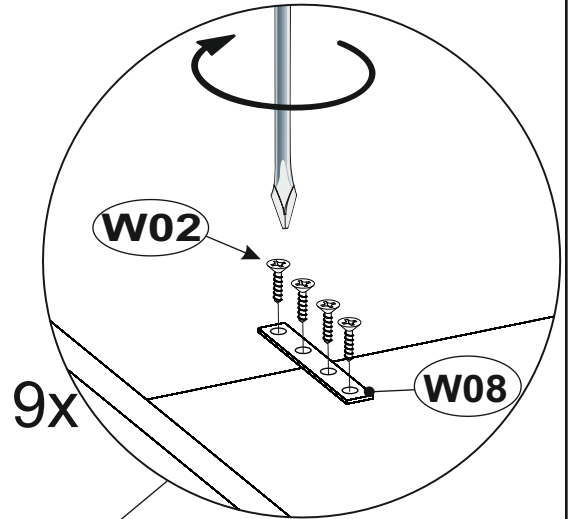
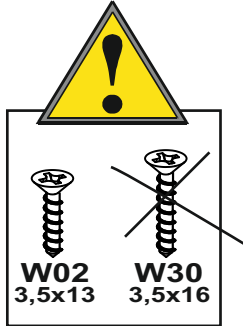
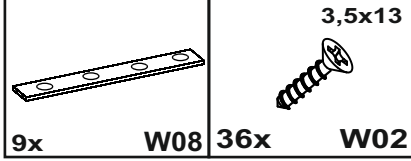
C



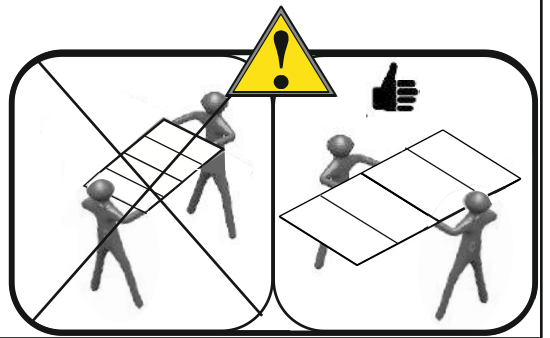
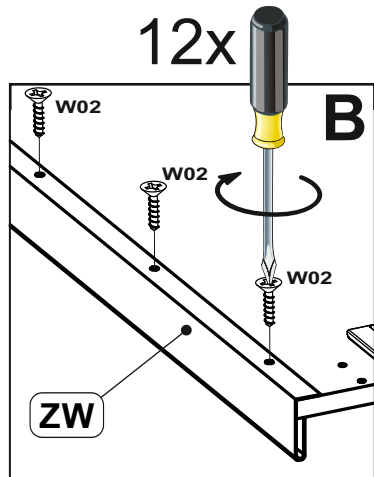
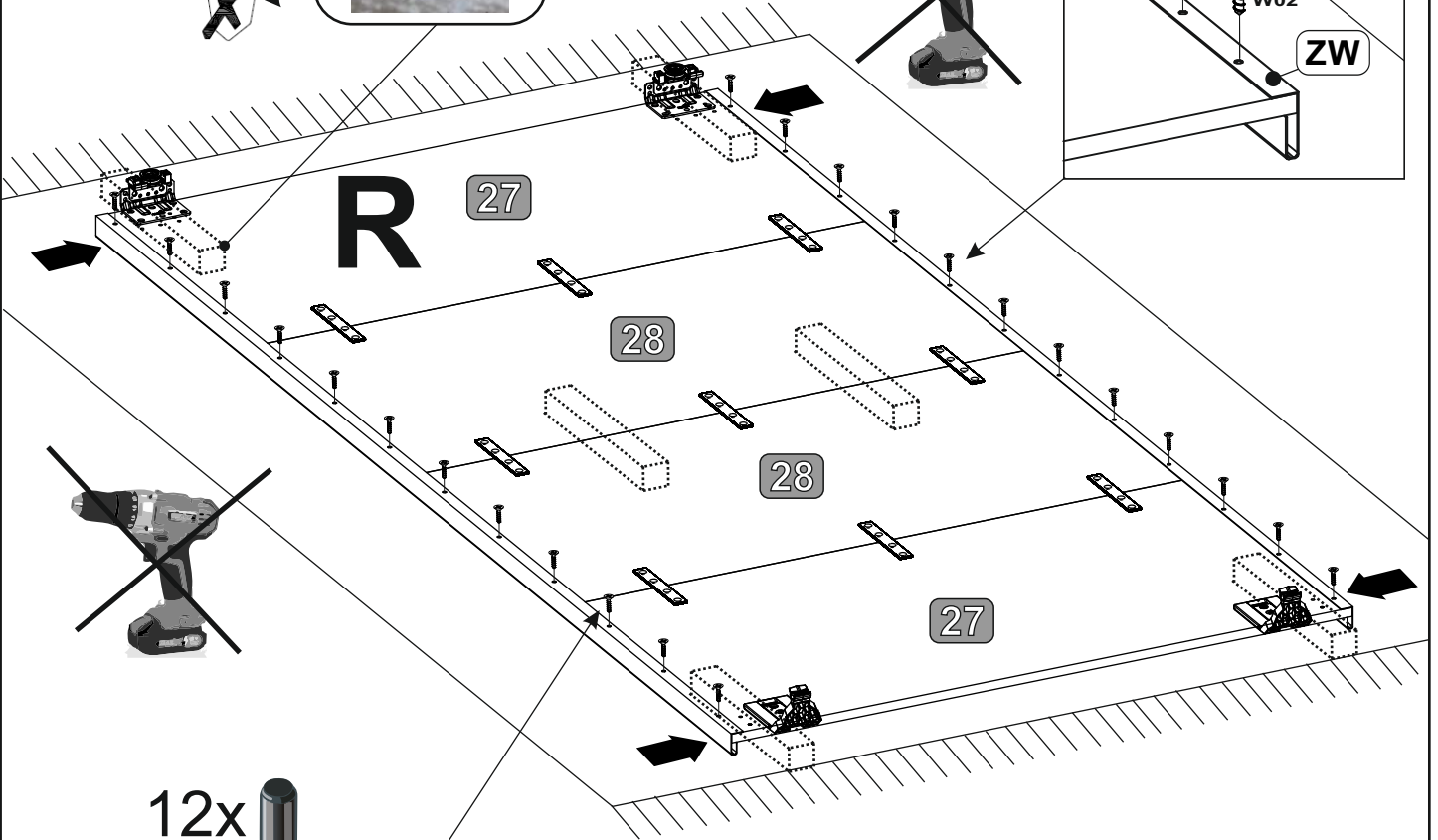
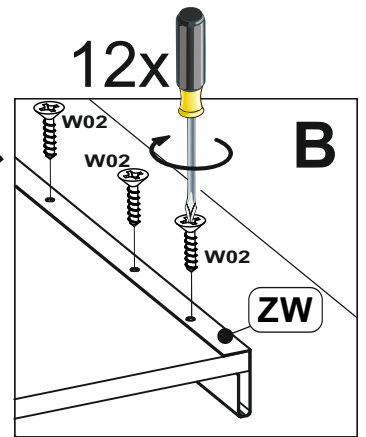
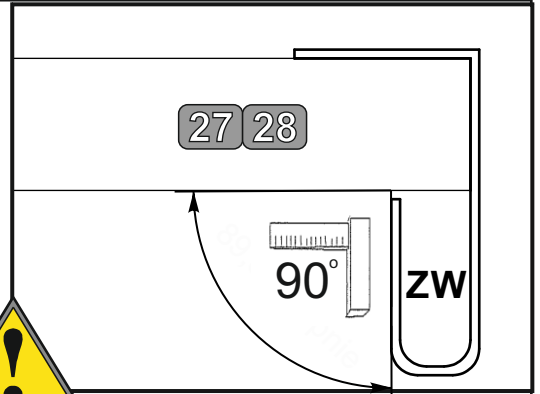
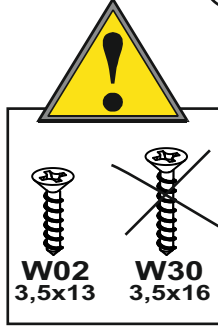
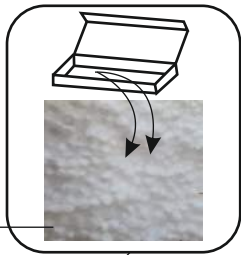
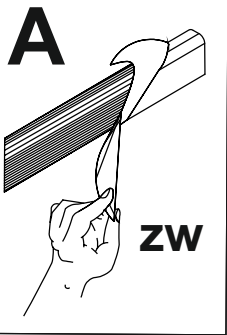
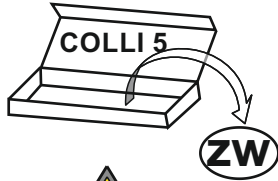
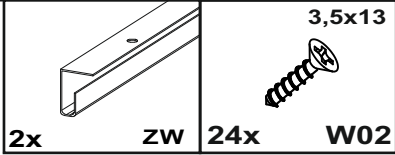
35



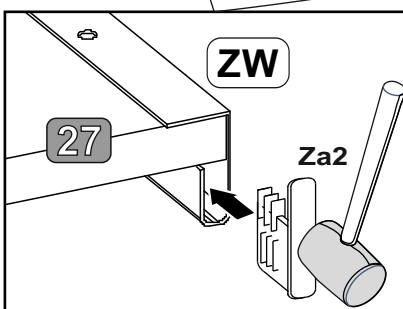
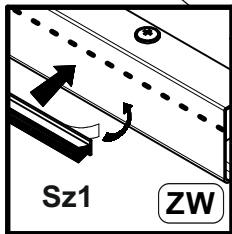
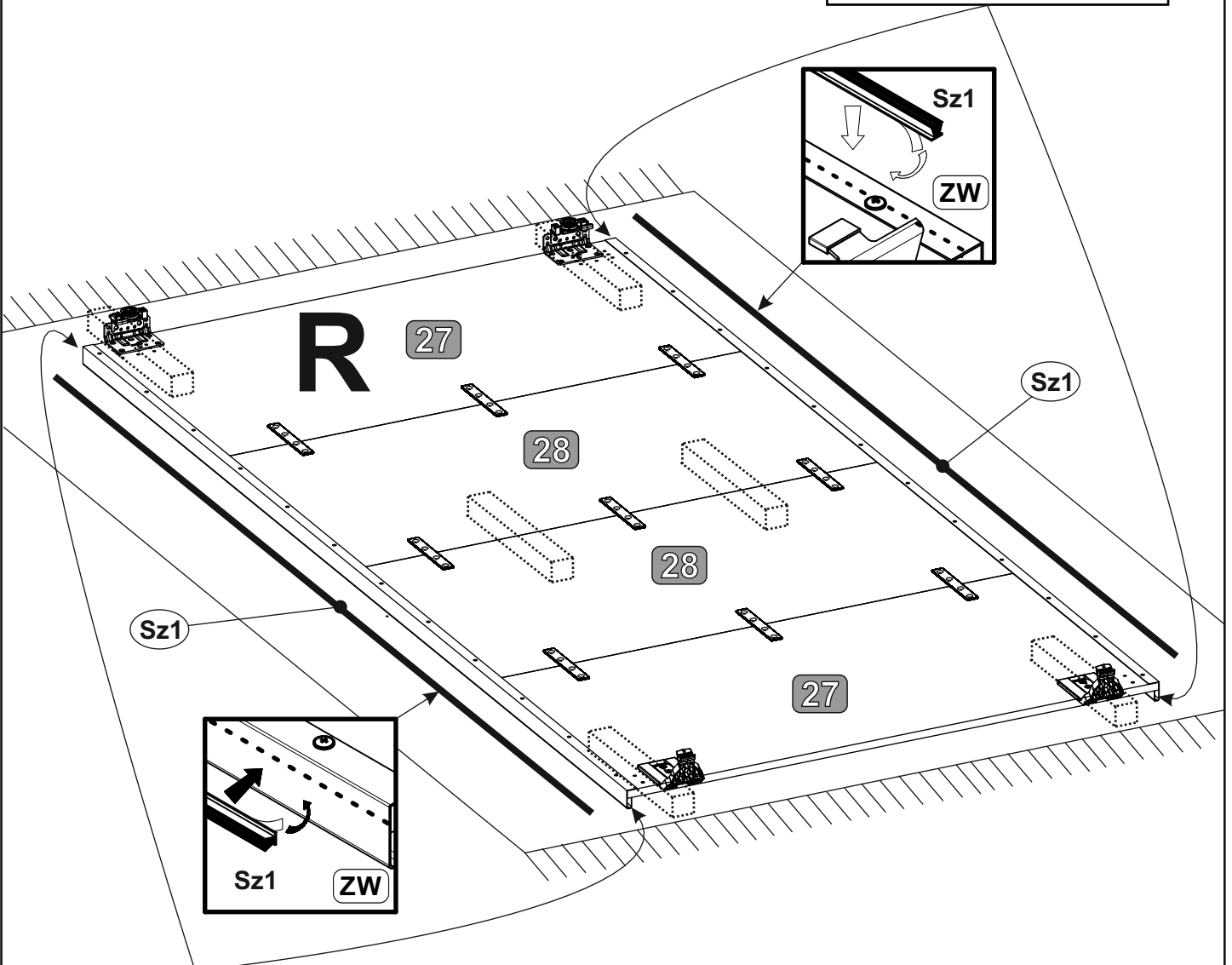
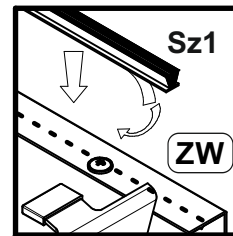
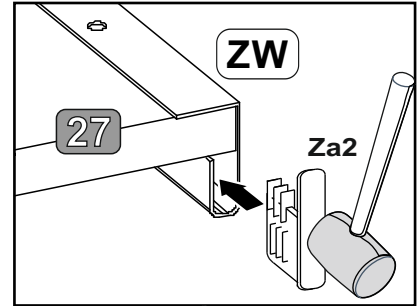
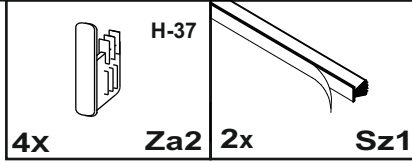
36



37

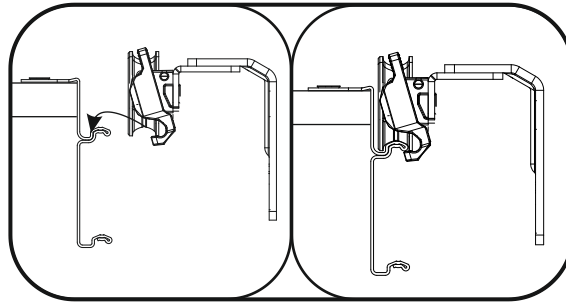


38

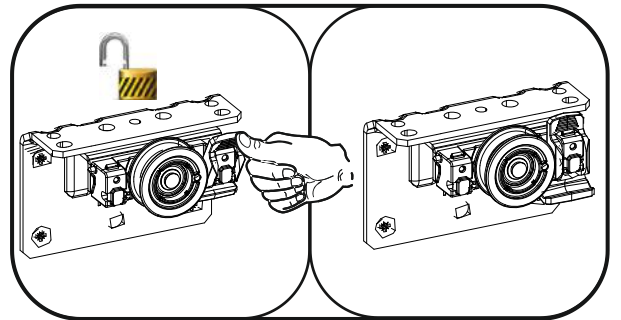


39

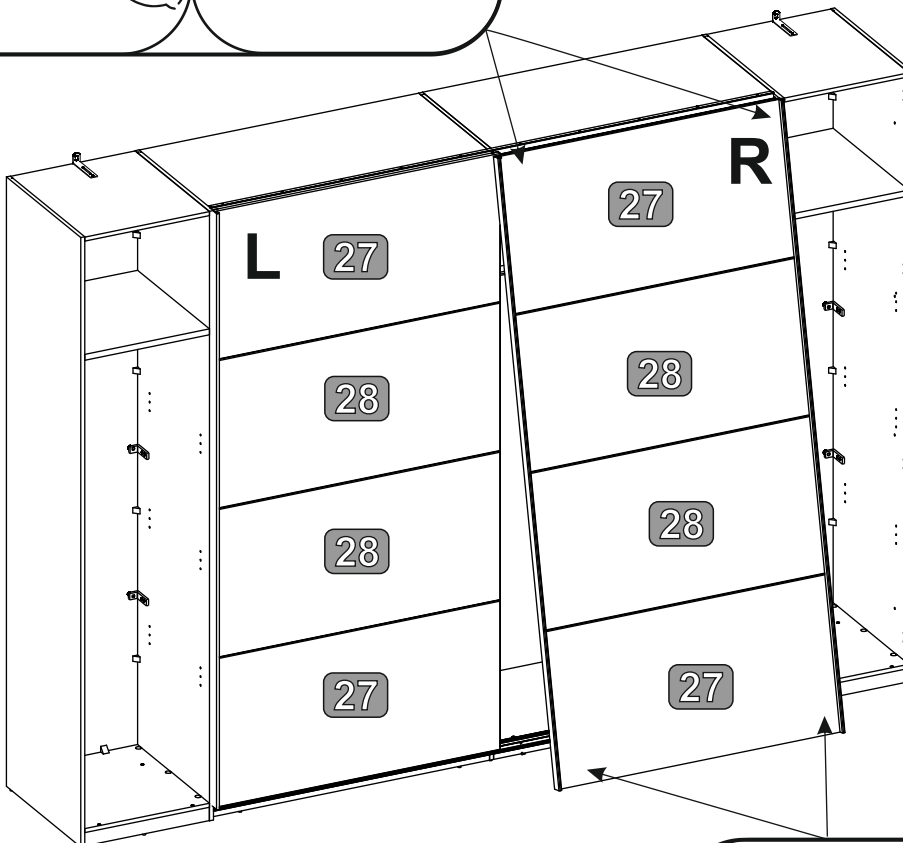
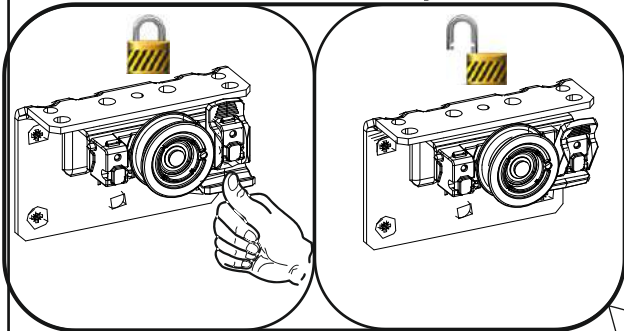
B



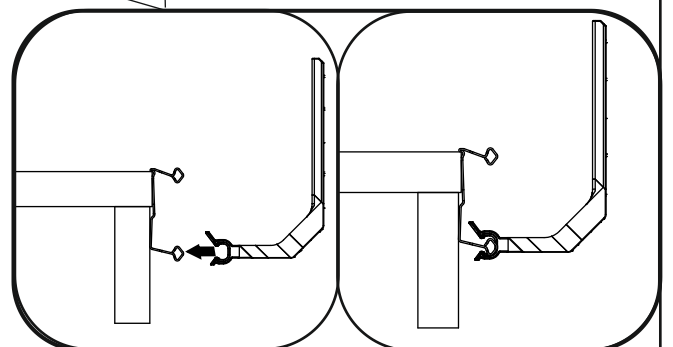
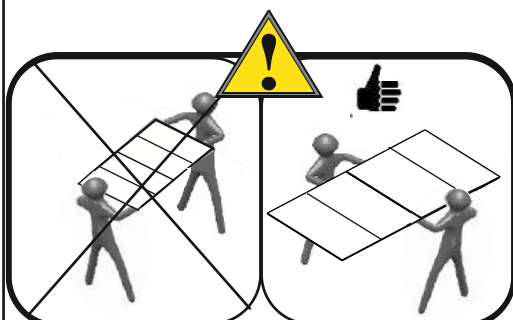
D



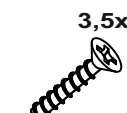
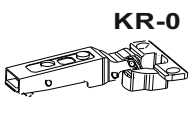
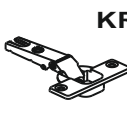
A

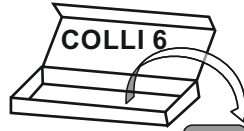


C

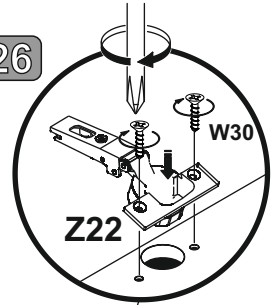
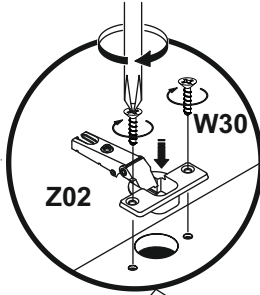
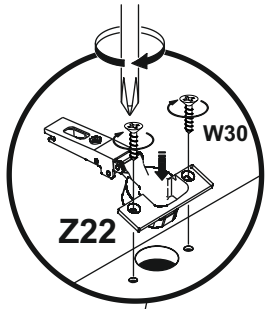


40

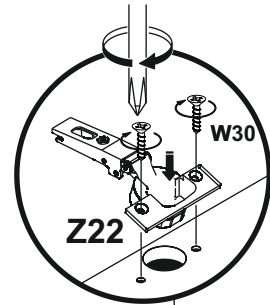
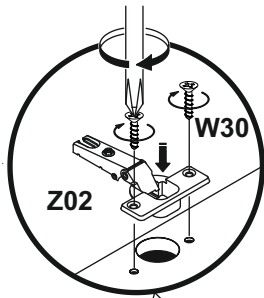
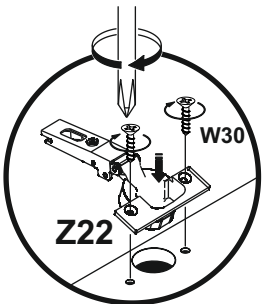
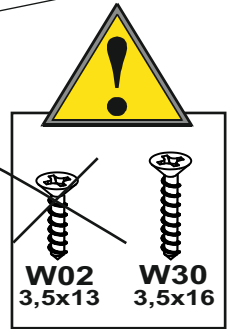
 3,5x16 W30	 KR-0 Z22	 KR-0 Z02
16x	4x	4x



25 26

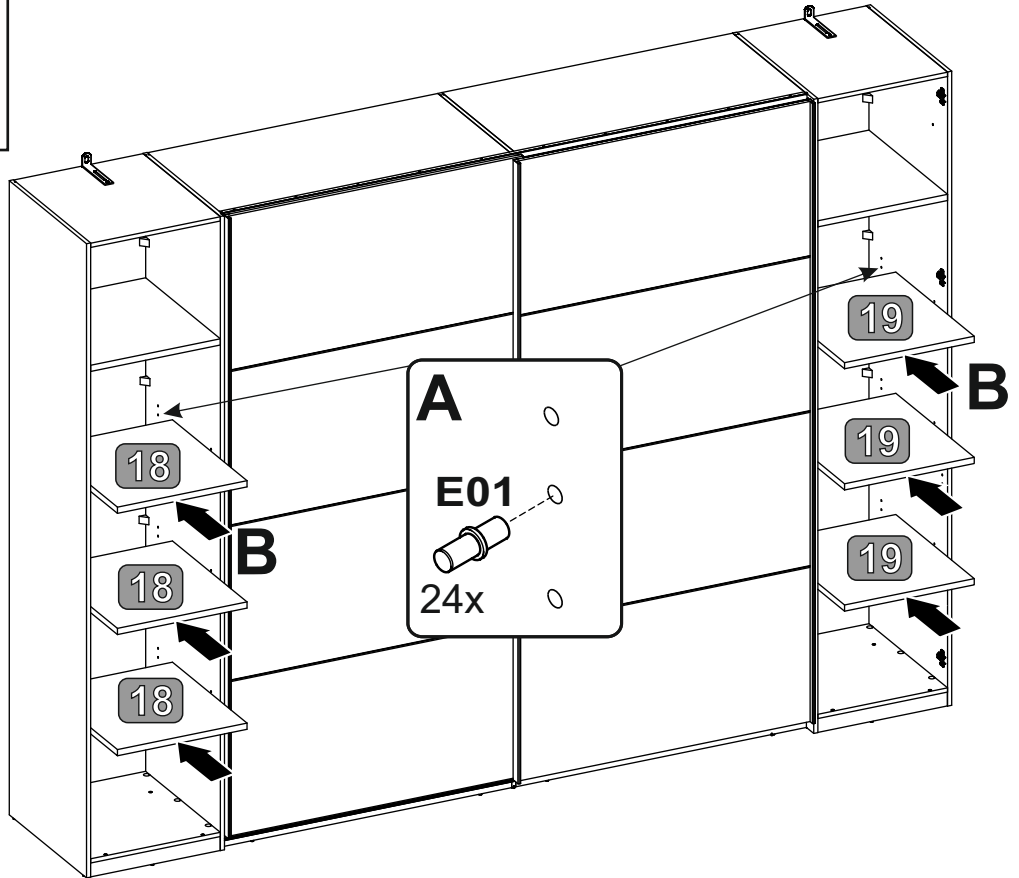
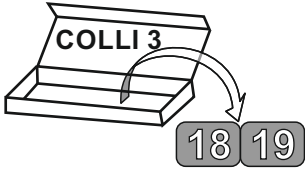


25

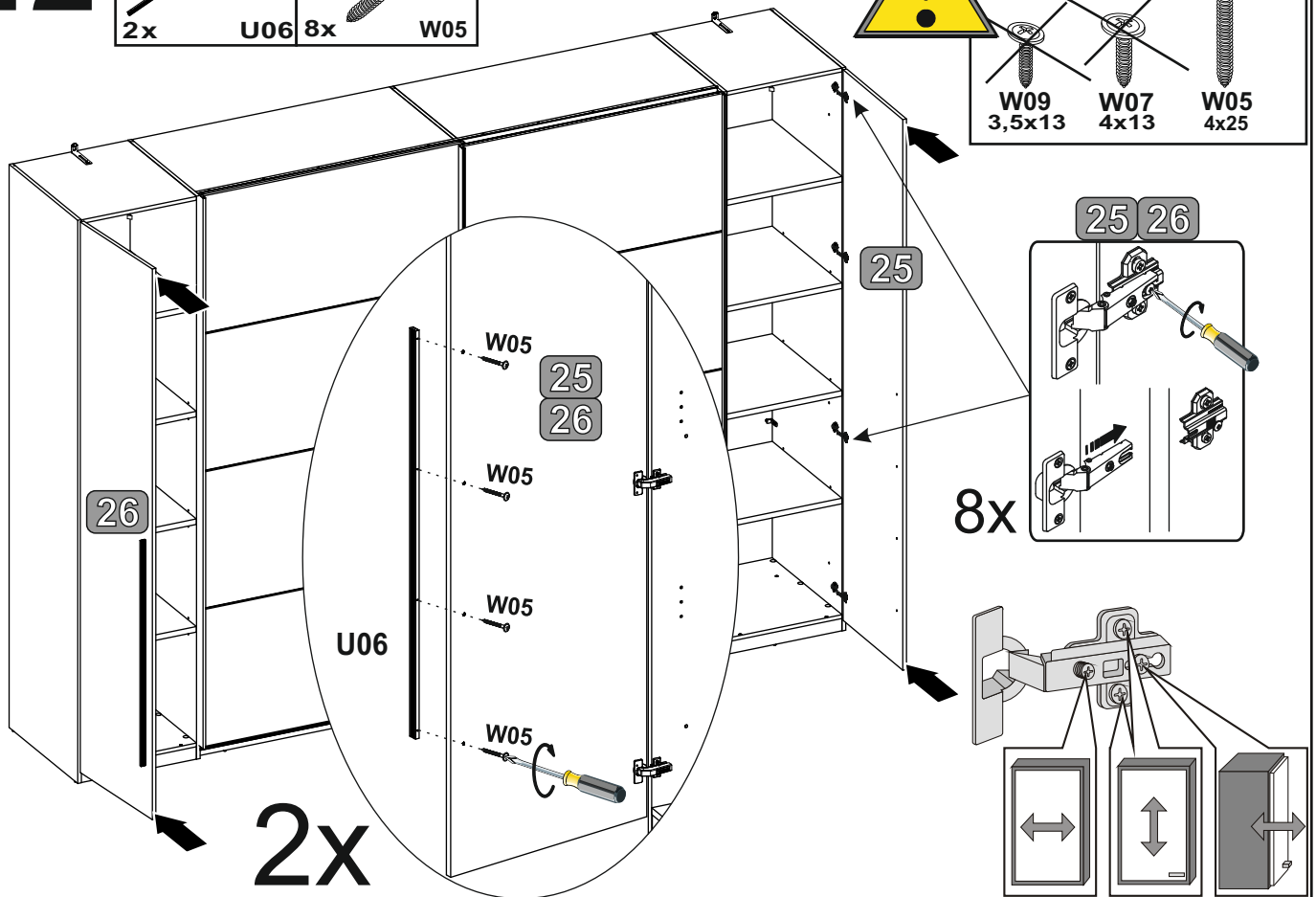
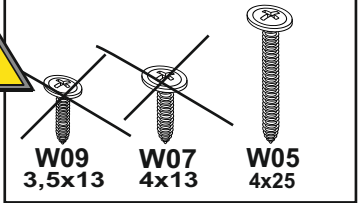
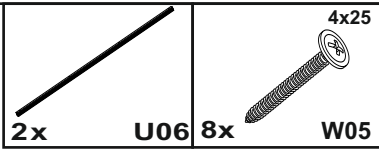


26

41



42



43

