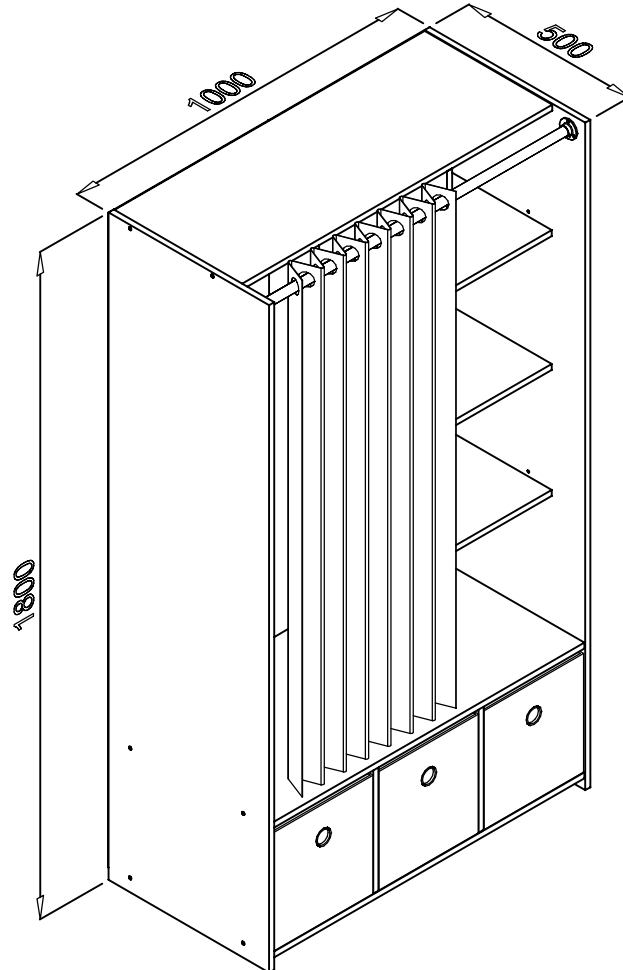
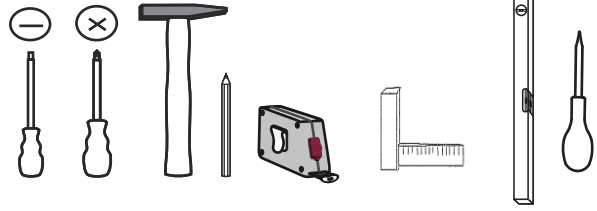
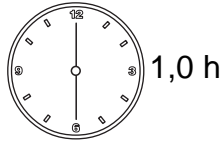
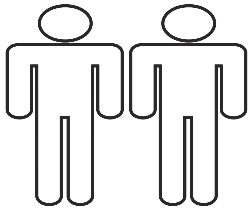
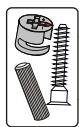
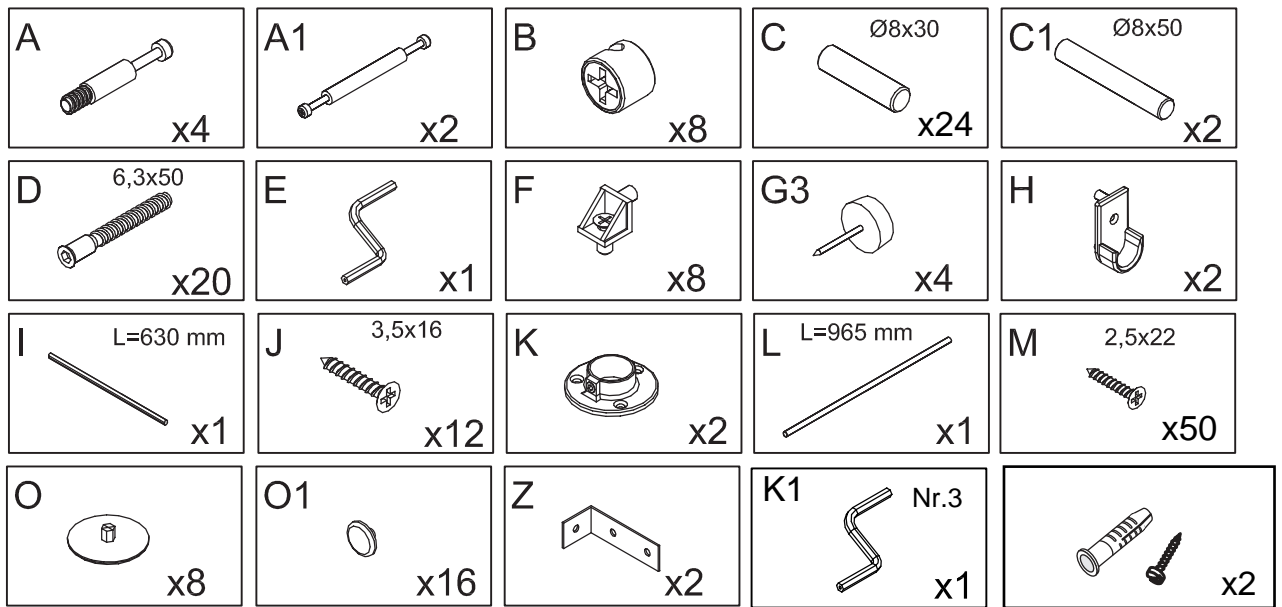


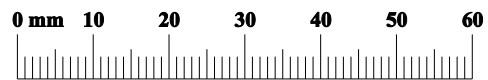
Jenke 3

58-779-H1-9



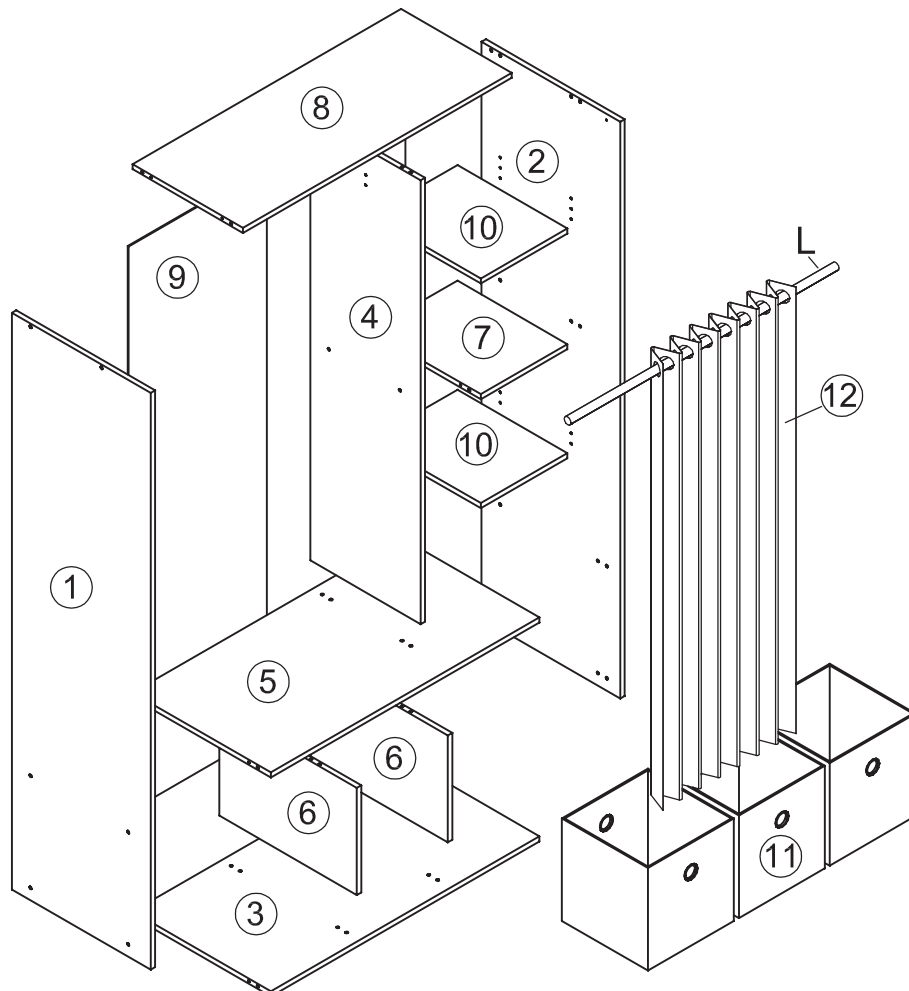


1/2

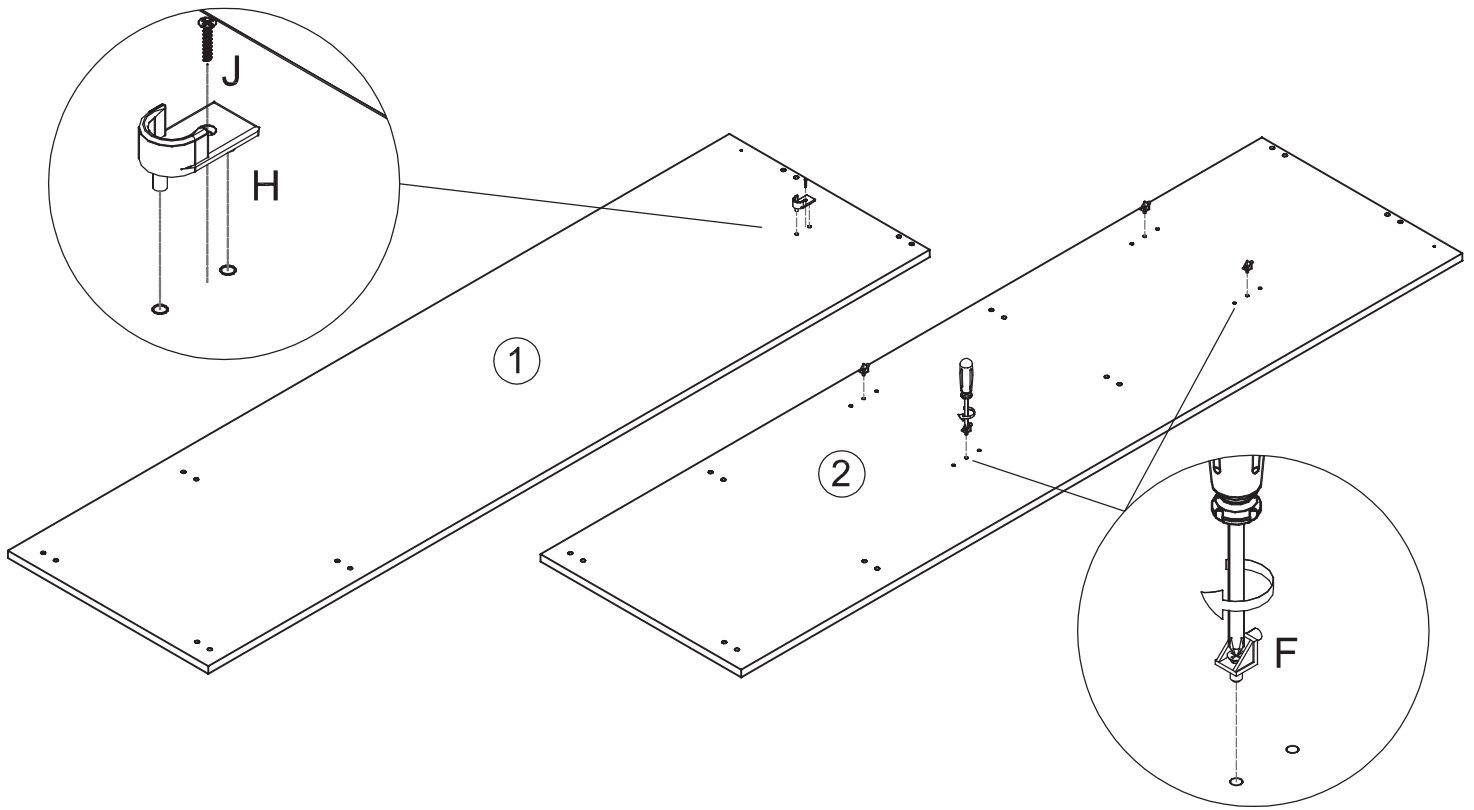
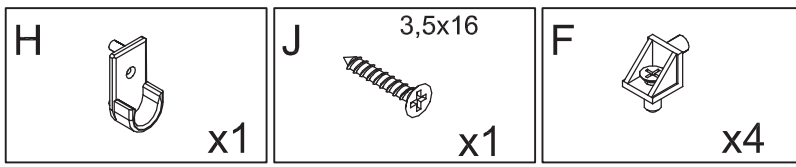


1	x1	ca. 1800 x 500 x 16	2/2
2	x1	ca. 1800 x 500 x 16	2/2
3	x1	ca. 968 x 498 x 16	1/2
4	x1	ca. 1385 x 398 x 16	2/2
5	x1	ca. 968 x 498 x 16	1/2
6	x2	ca. 334 x 496 x 16	1/2

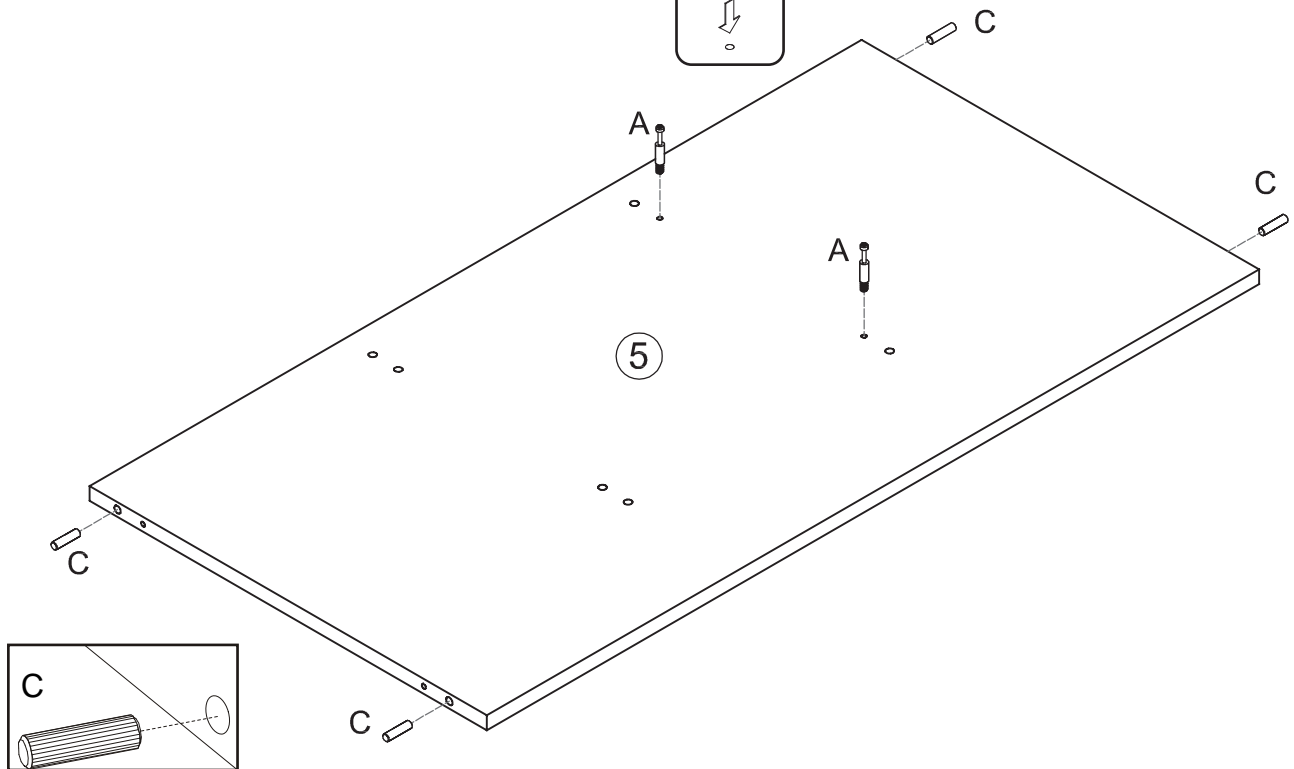
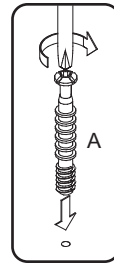
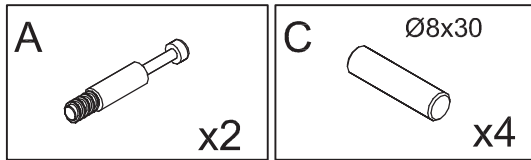
7	x1	ca. 312 x 396 x 16	1/2
8	x1	ca. 968 x 398 x 16	1/2
9	x2	ca. 1765 x 499 x 3	2/2
10	x2	ca. 312 x 396 x 16	1/2
11	x3	ca. 310 x 310 x 310	2/2
12	x1	ca. 1350 x 1400	2/2



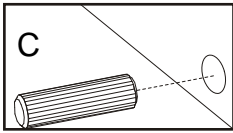
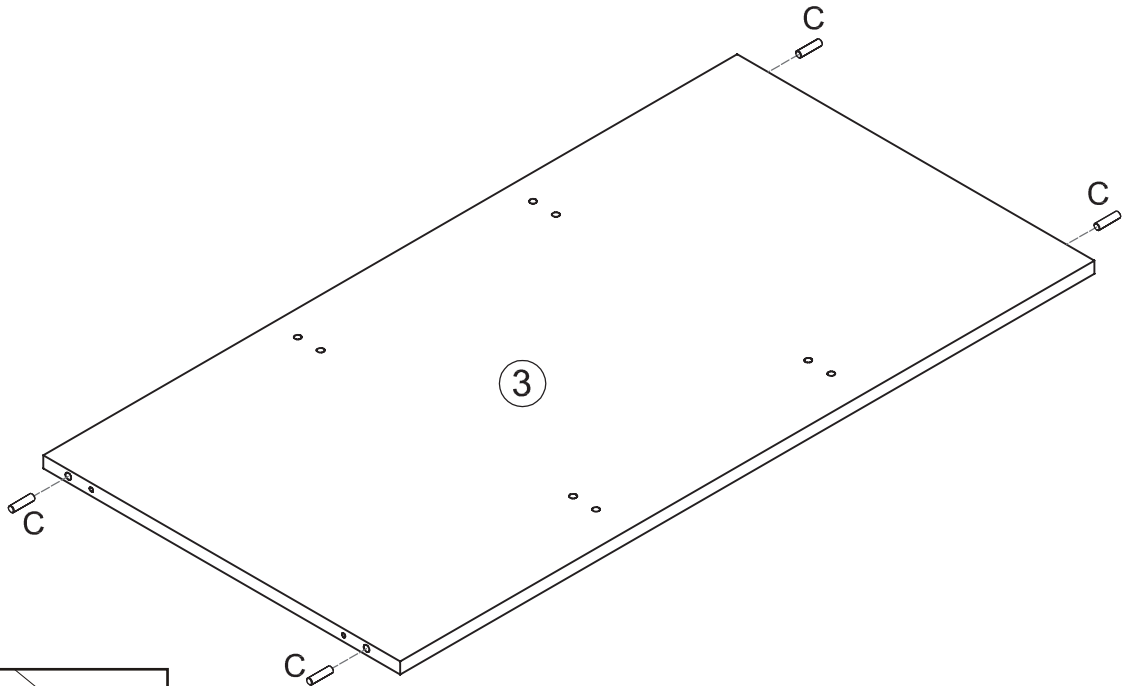
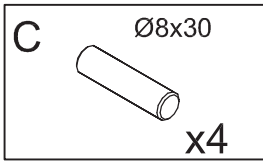
1



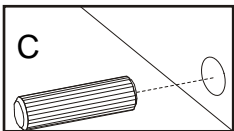
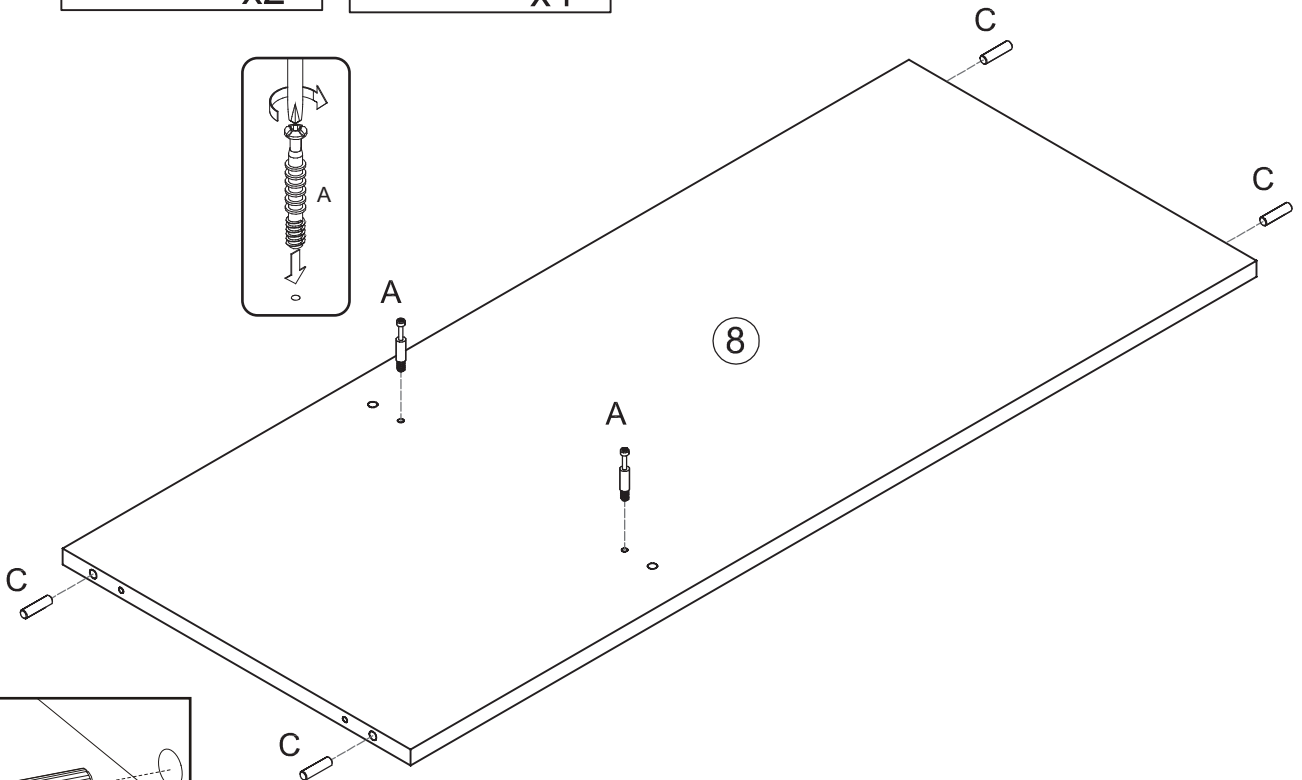
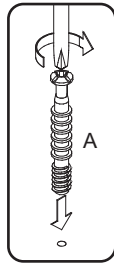
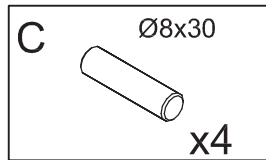
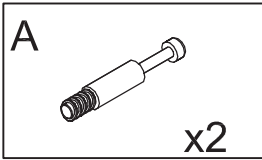
2



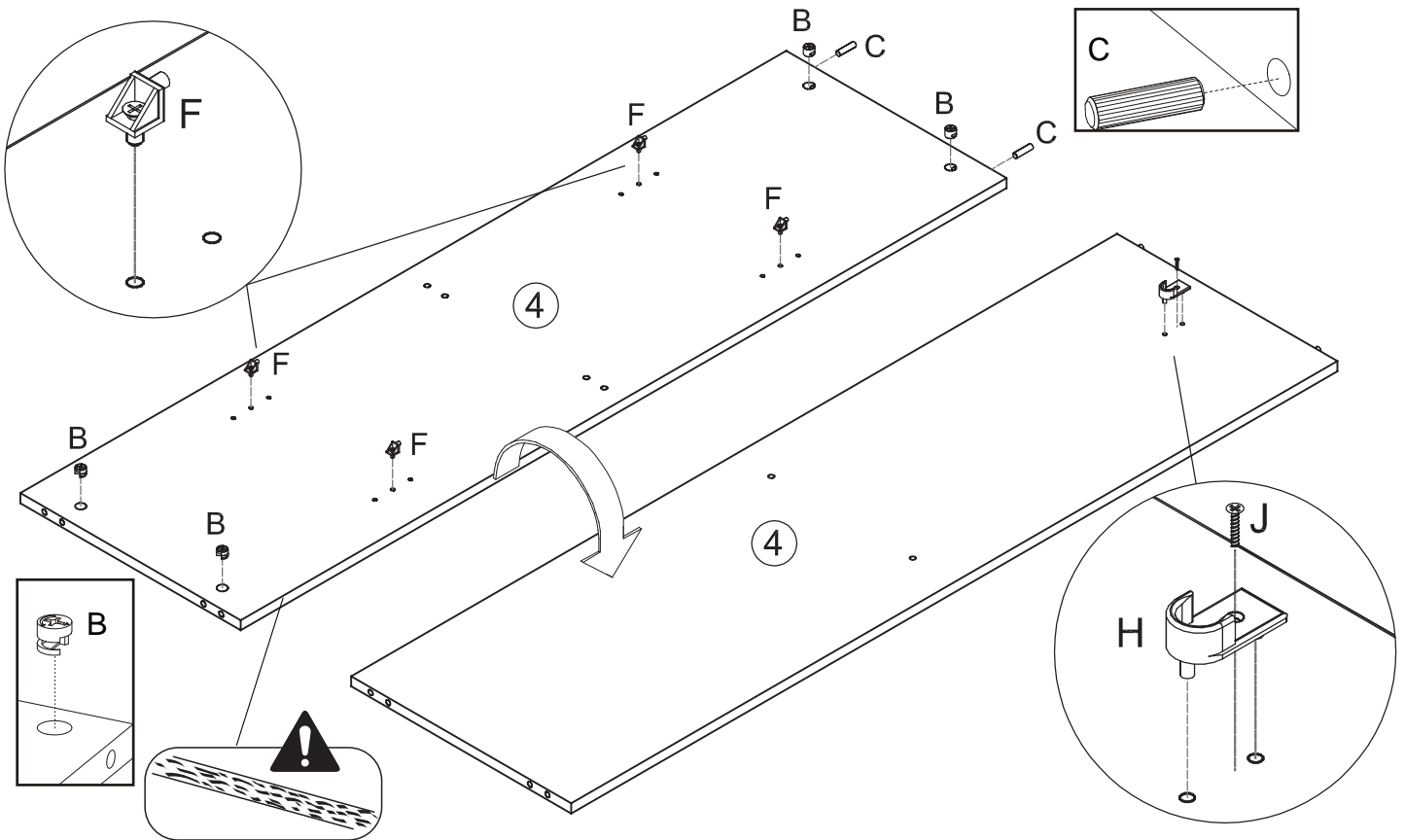
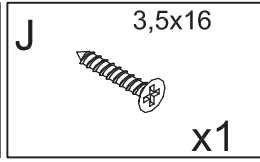
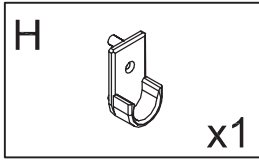
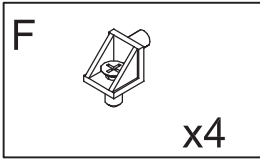
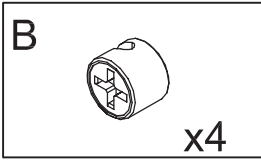
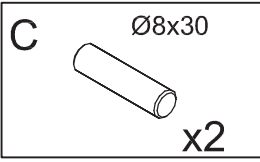
3



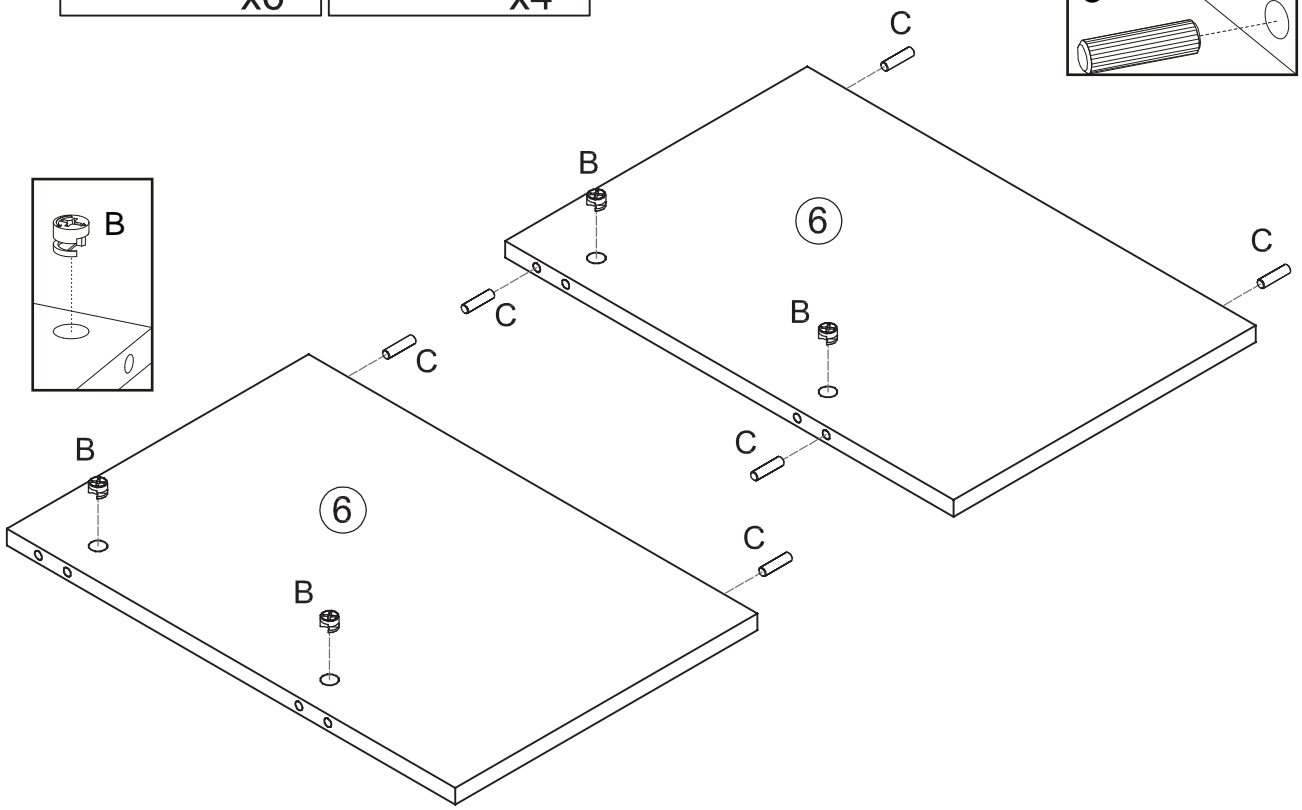
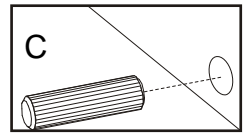
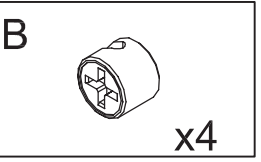
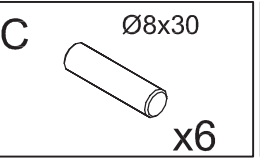
4



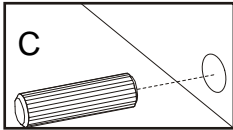
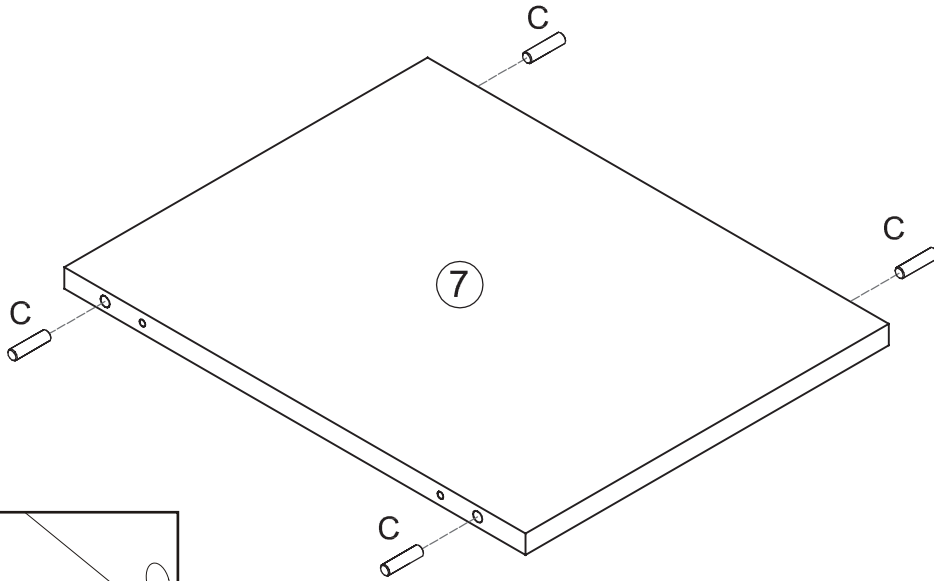
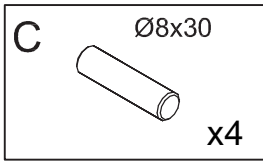
5



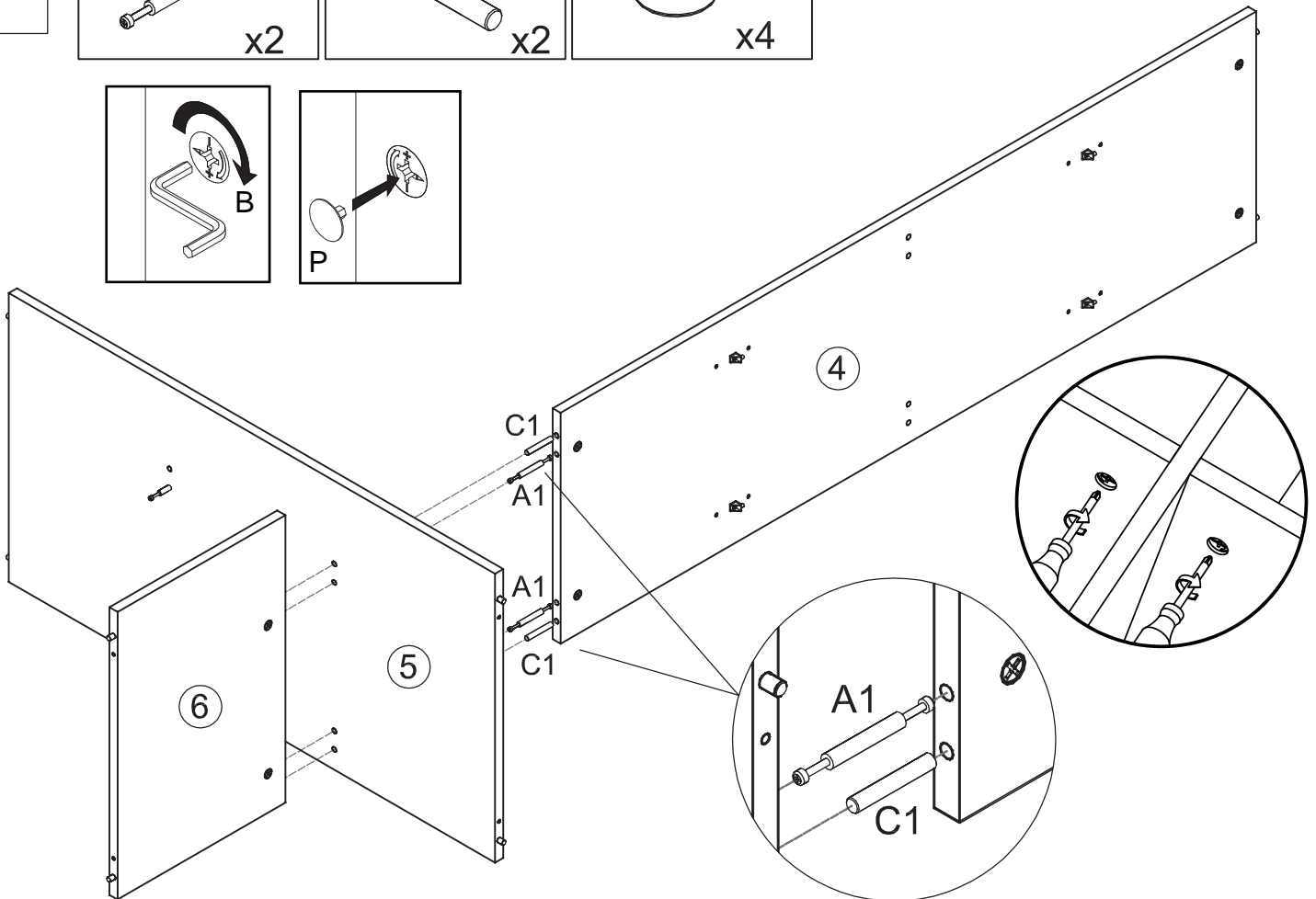
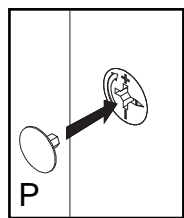
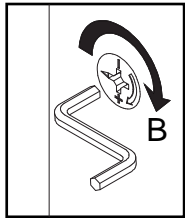
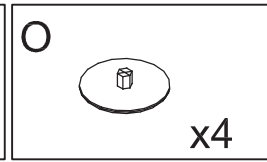
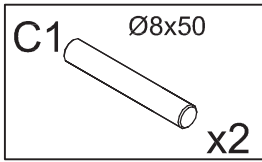
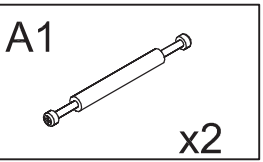
6



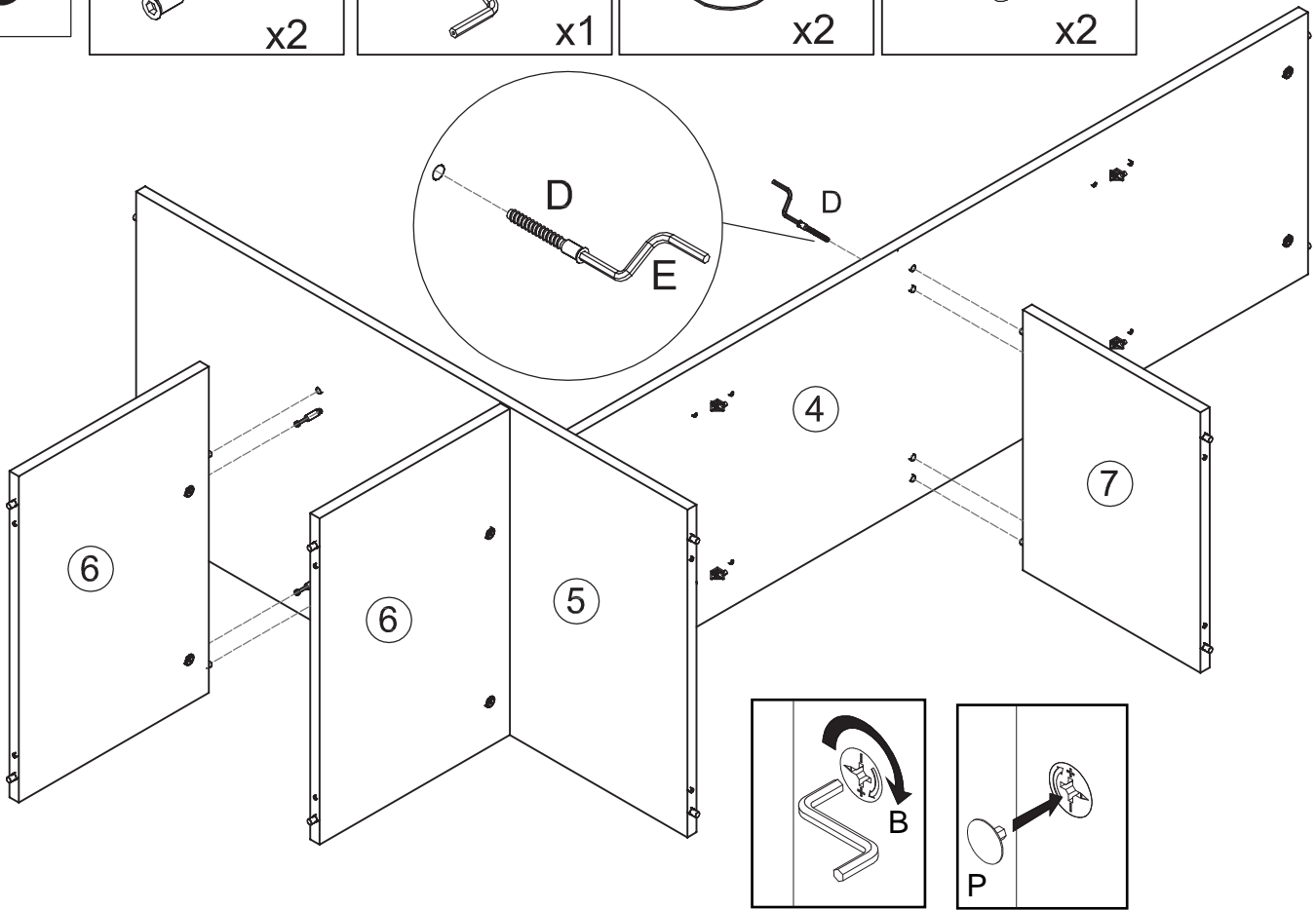
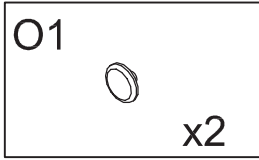
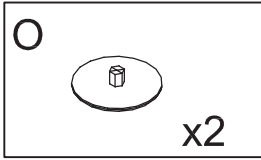
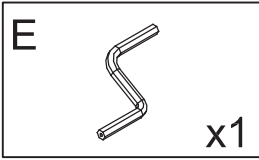
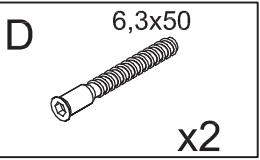
7



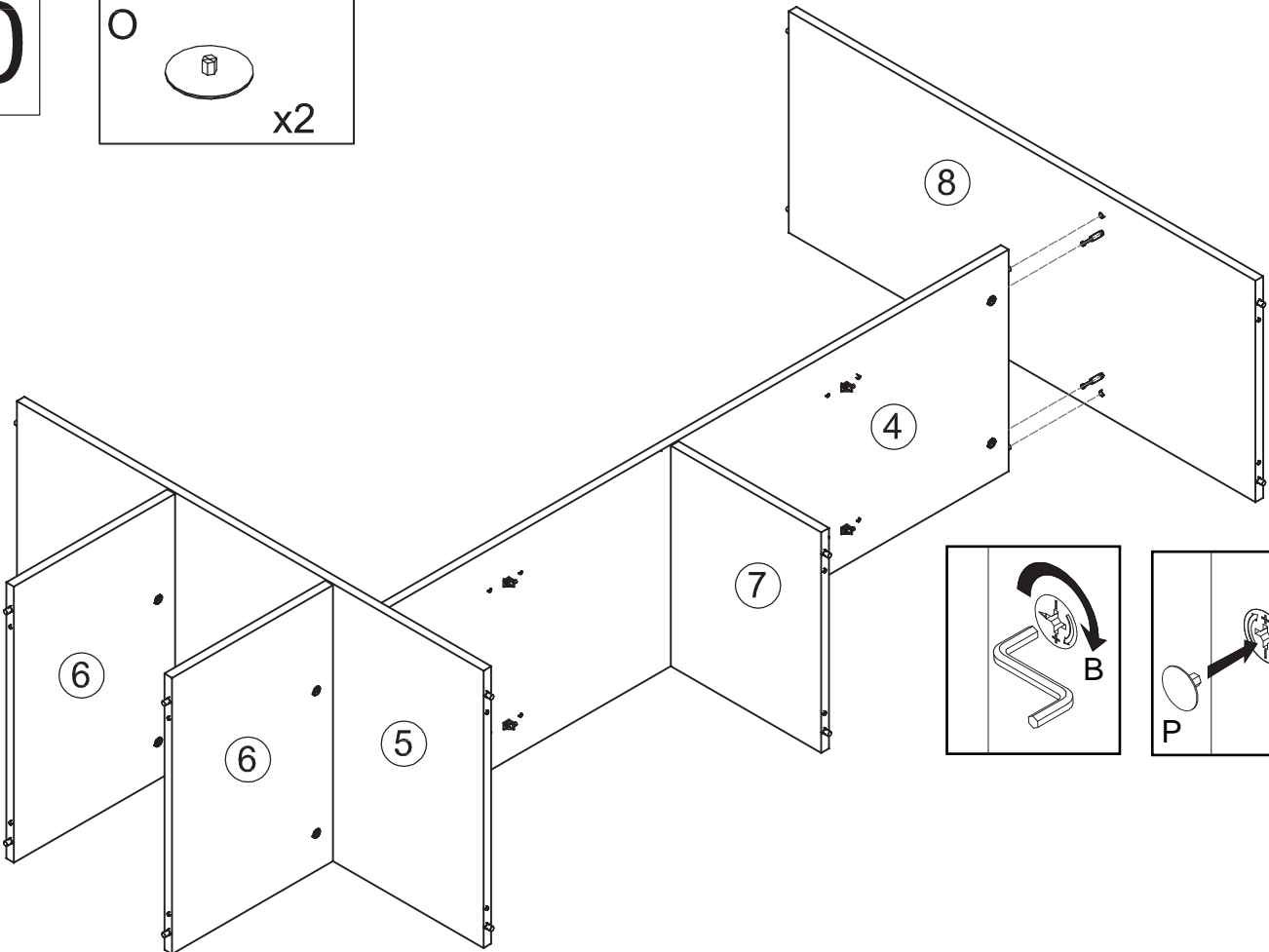
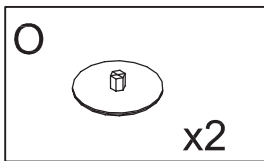
8



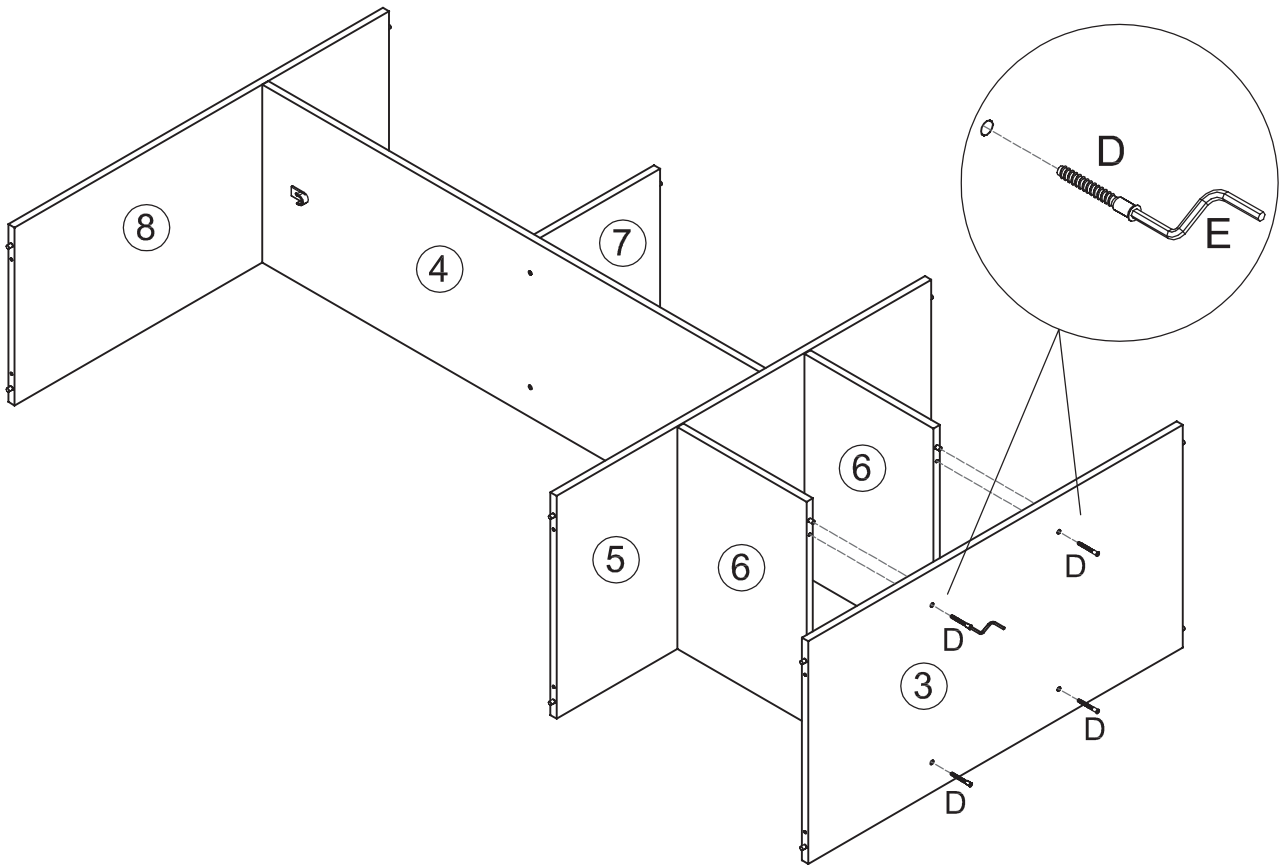
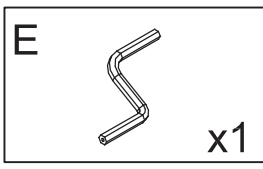
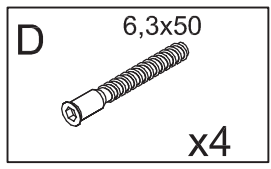
9



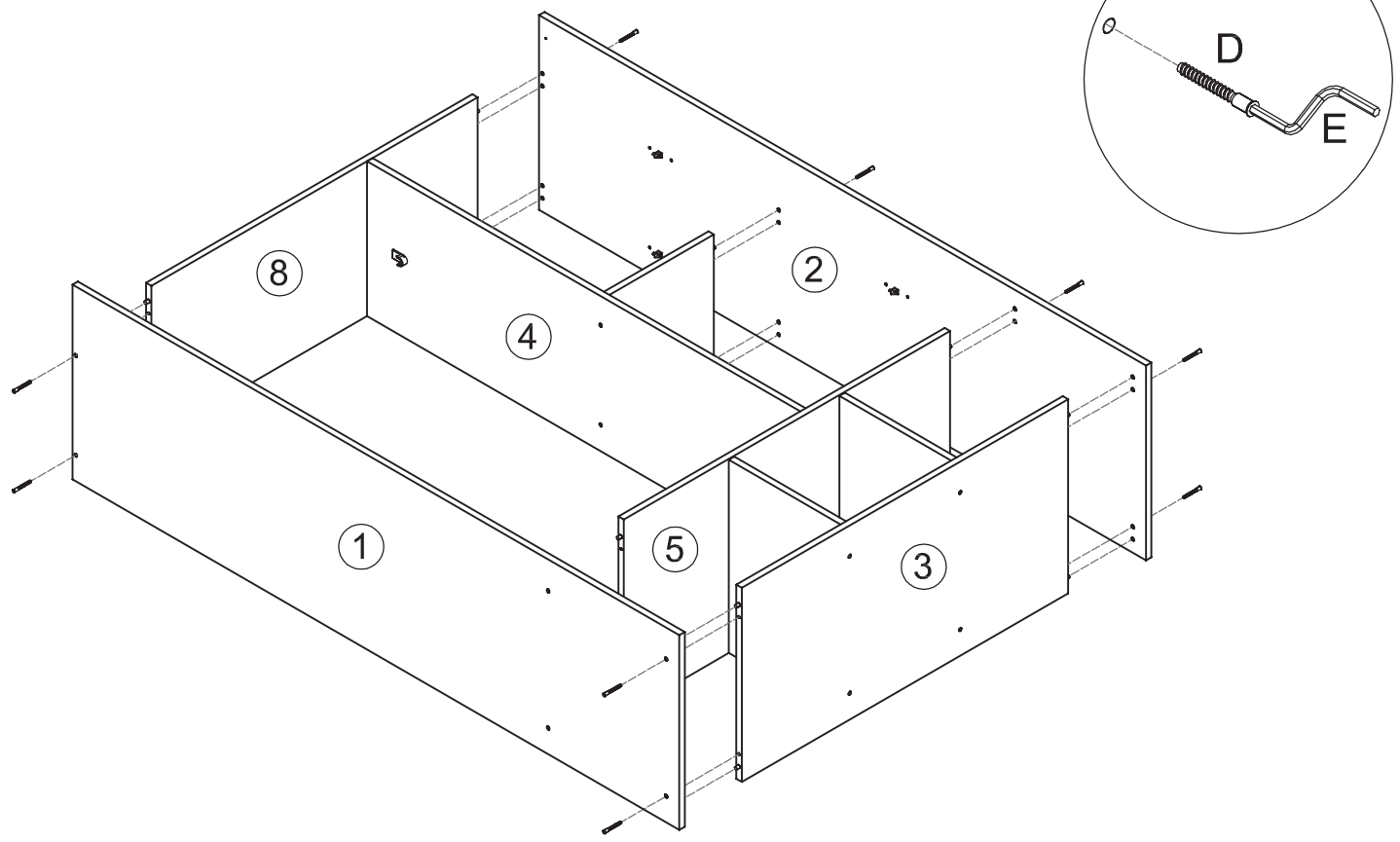
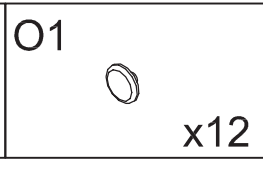
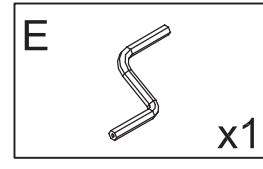
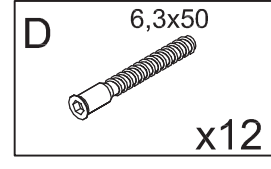
10



11



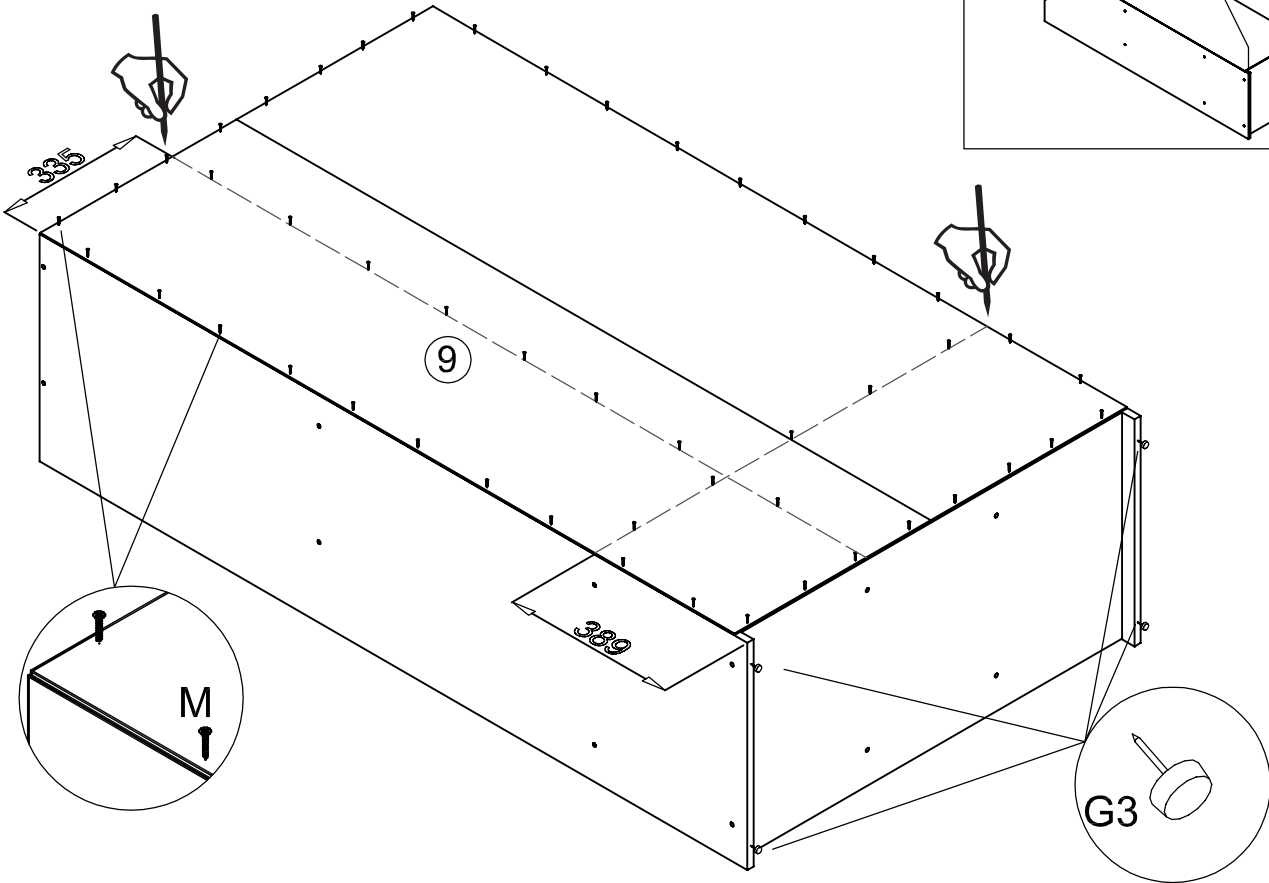
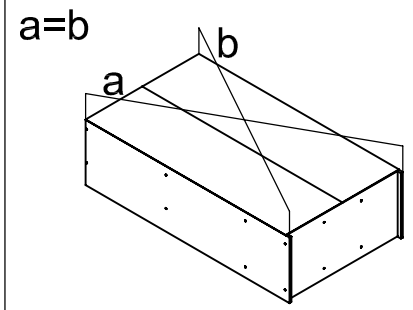
12



13

M 2,5x22
x50

G3
x4

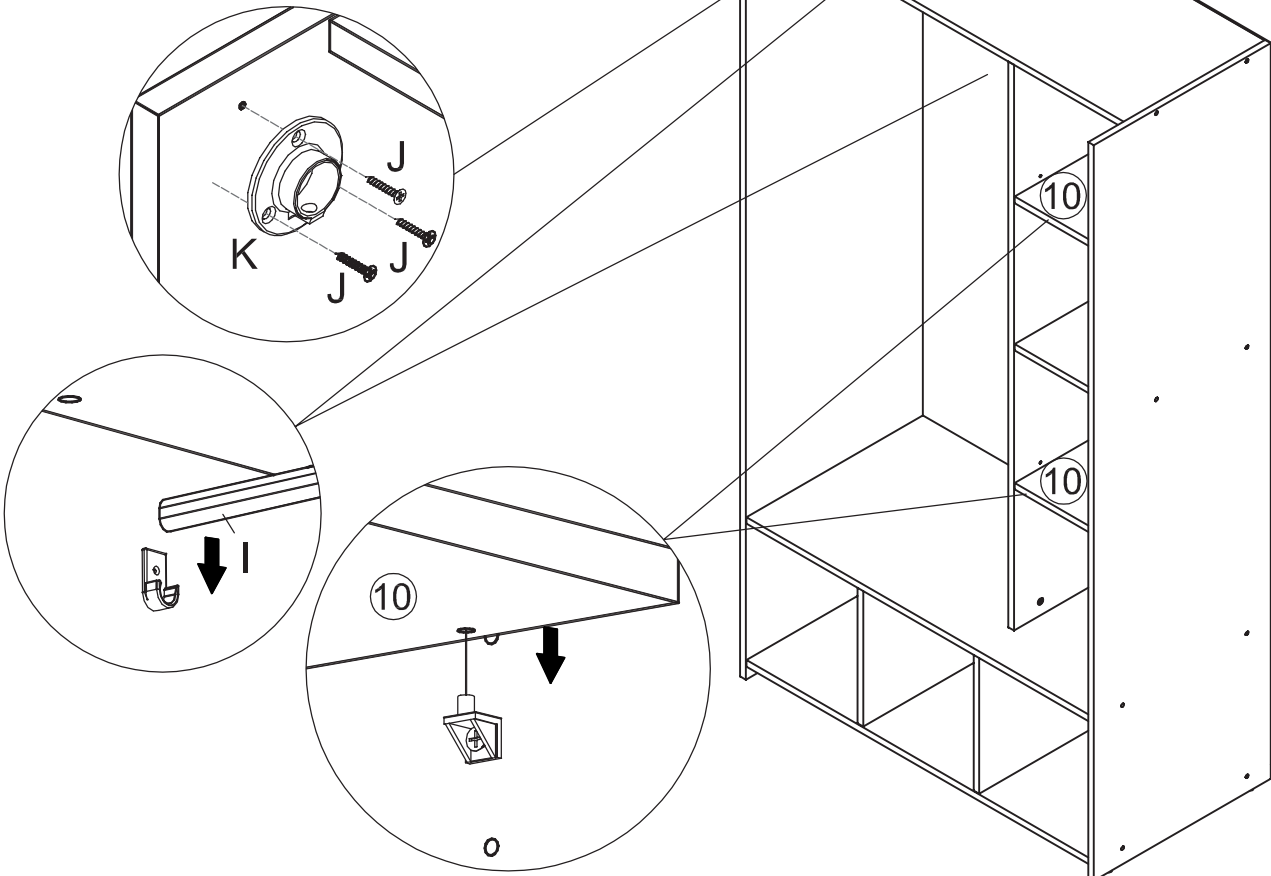


14

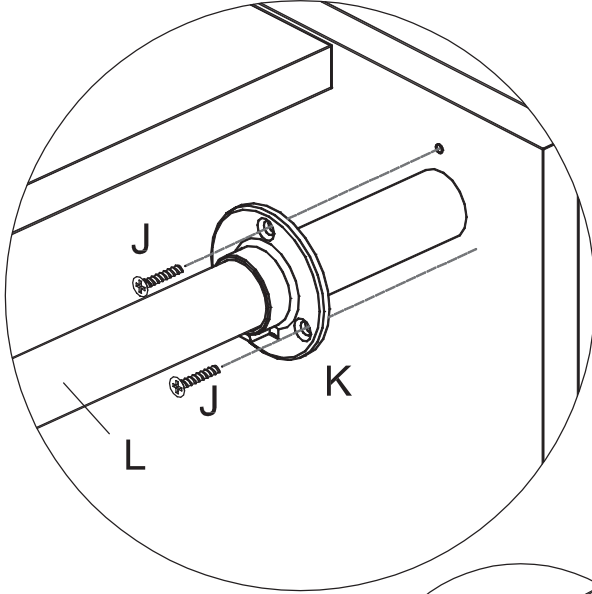
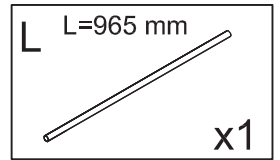
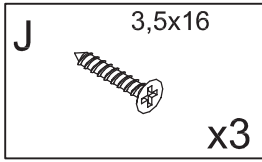
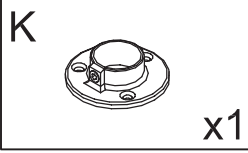
K
x1

J 3,5x16
x3

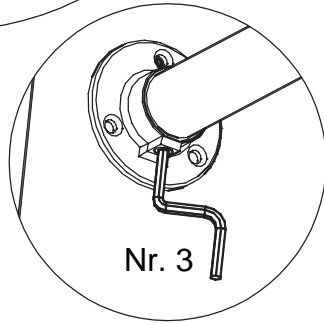
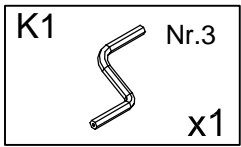
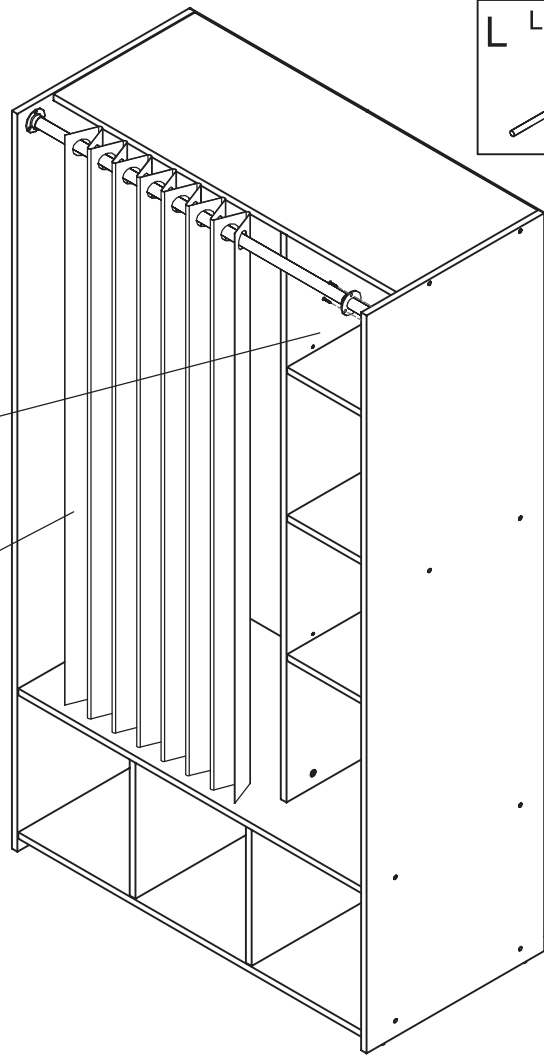
I L=630 mm
x1



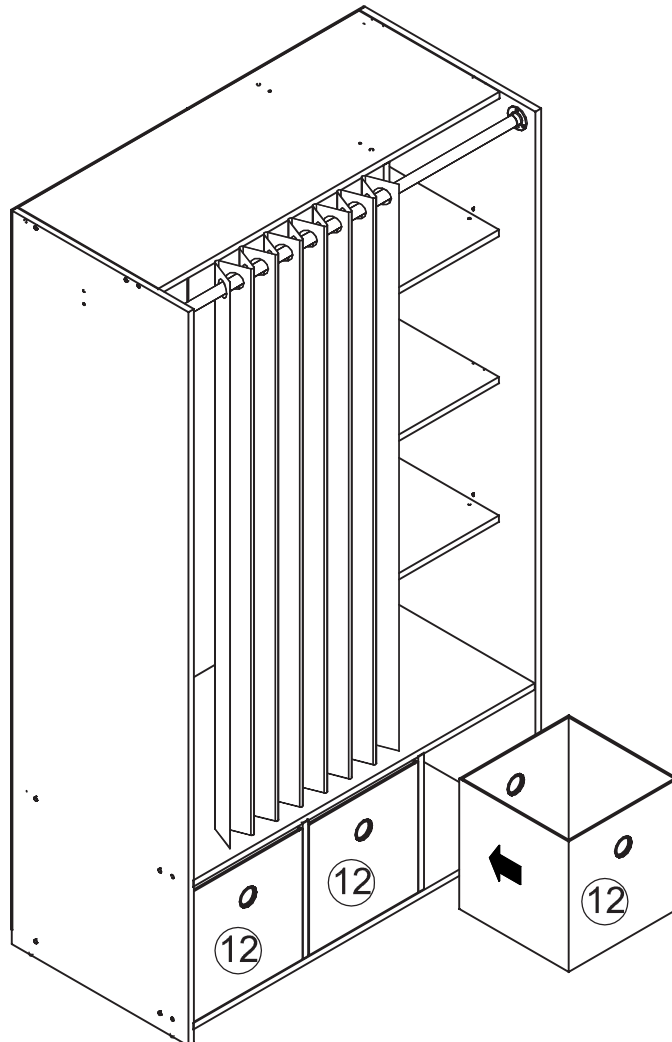
15



11



16



17

