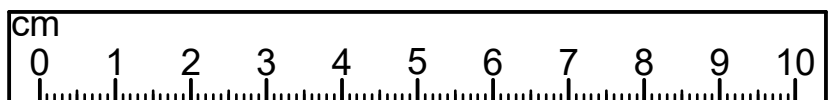
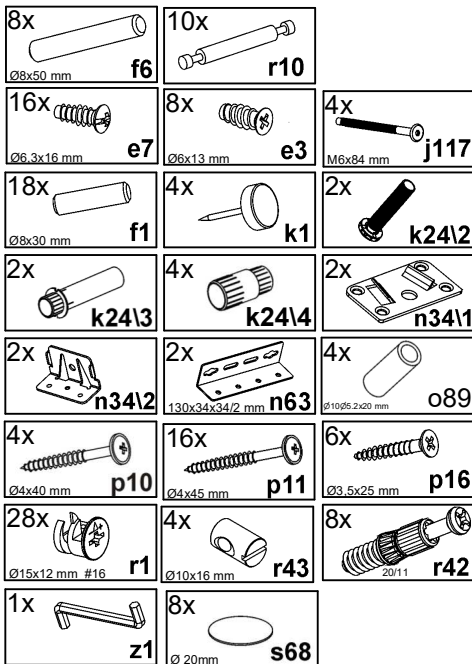
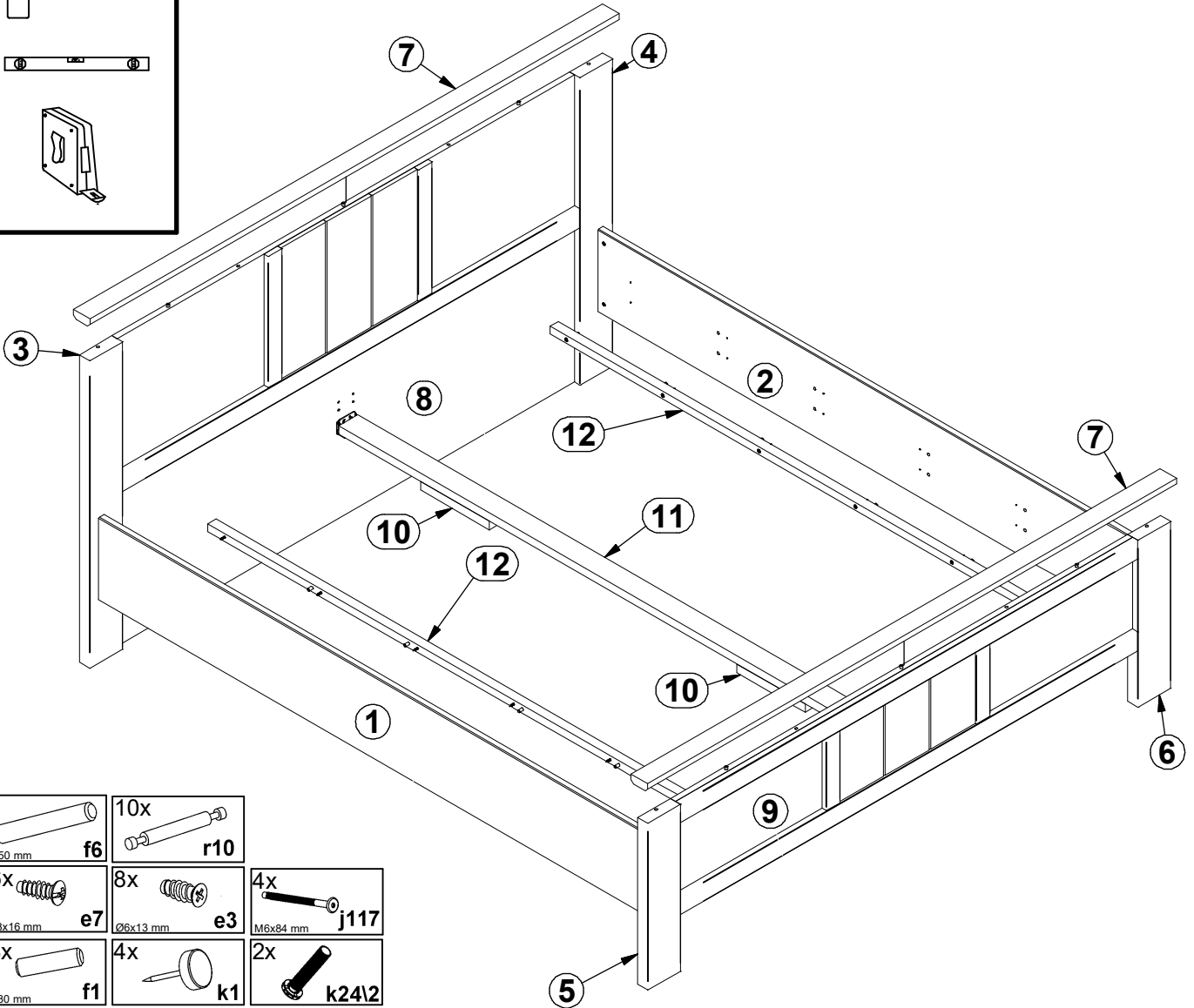
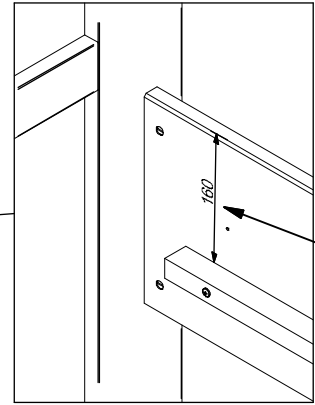
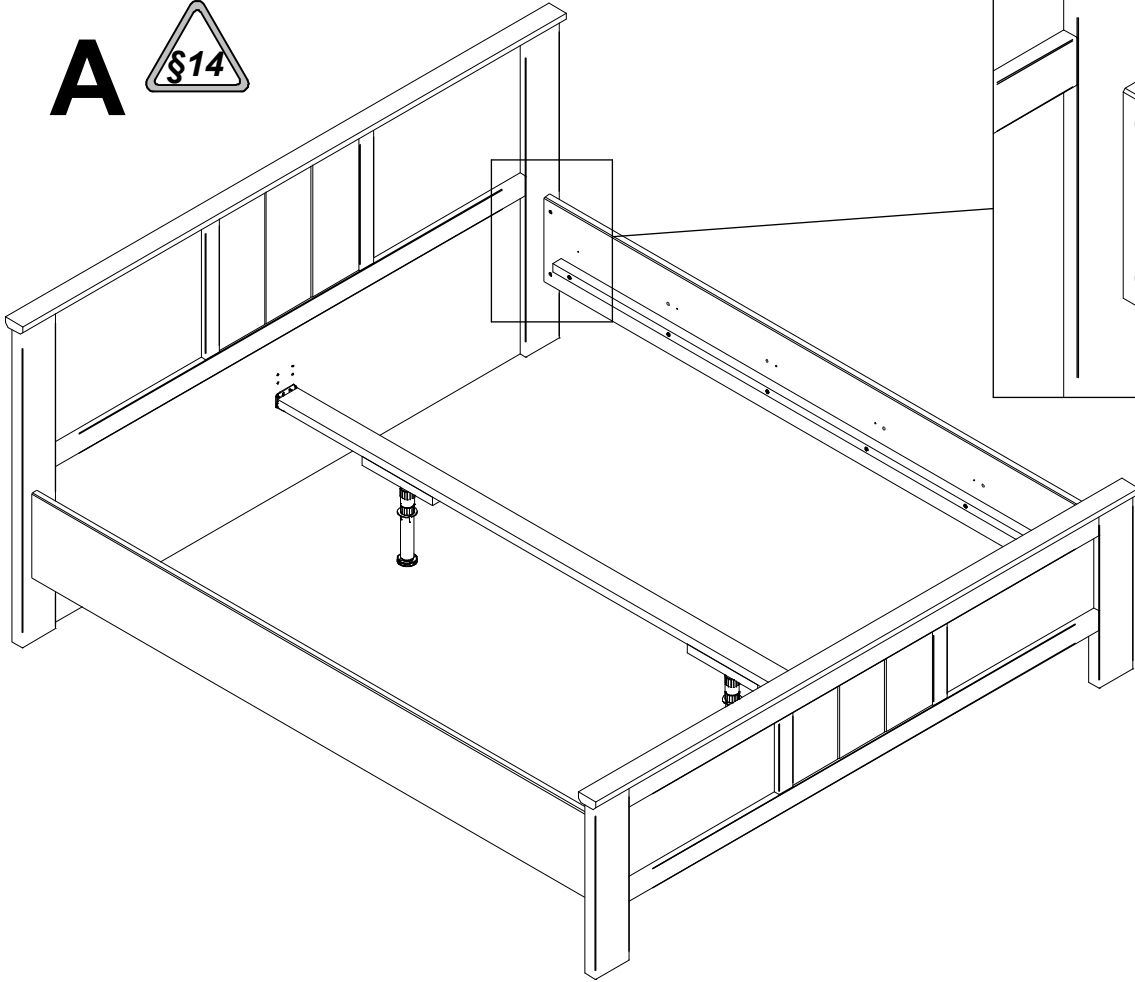


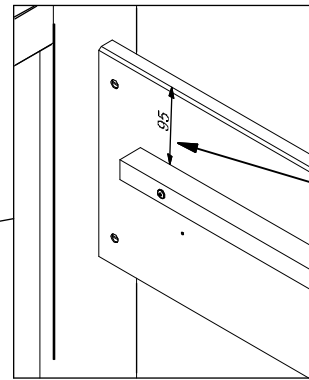
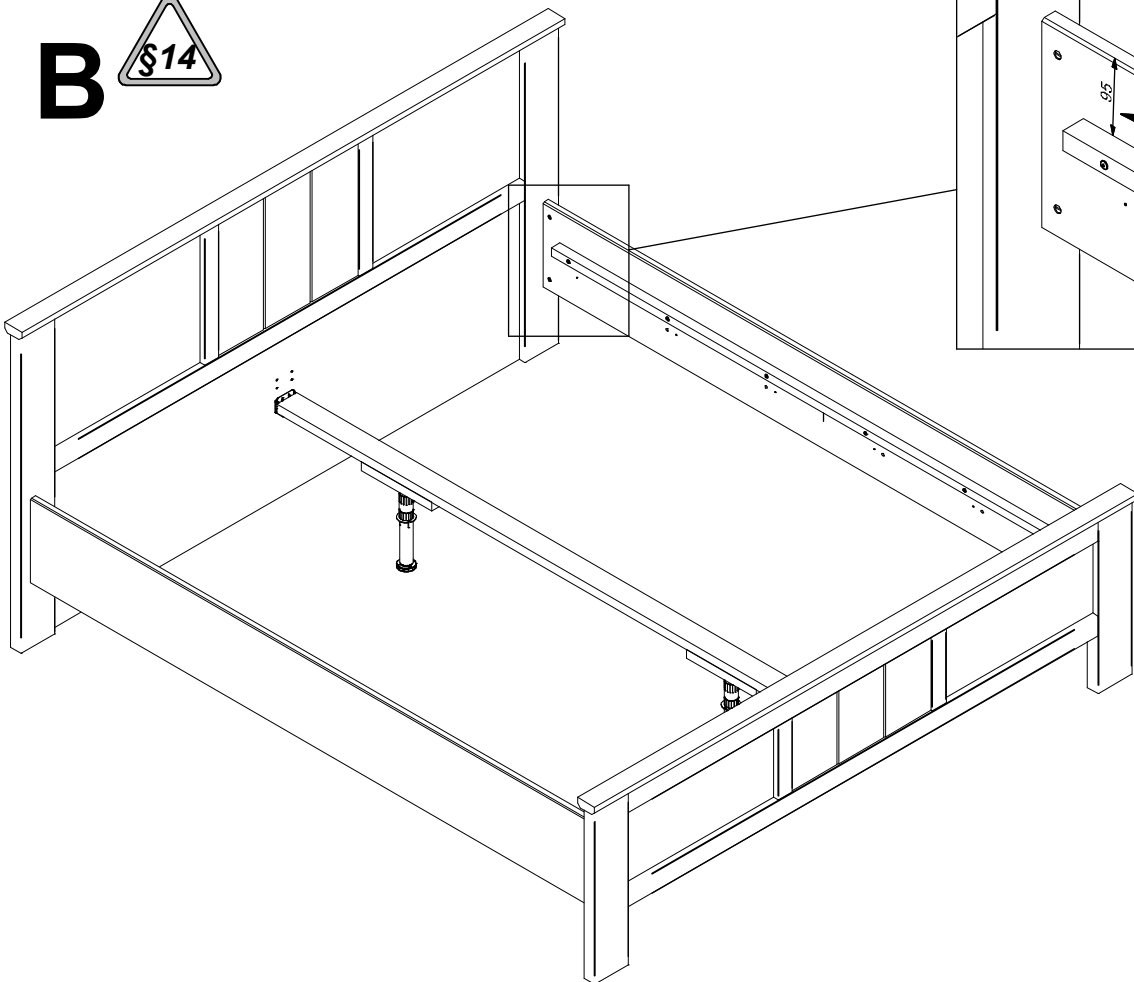
A	B	C1	C2	C3	D
1	L122-1001	2000	260	22	1¼
2	L122-1002	2000	260	22	1¼
3	L122-5001	972	120	38	4¼
4	L122-5002	972	120	38	4¼
5	L122-5003	528	120	38	4¼
6	L122-5004	528	120	38	4¼
7	L122-5301	1931	61	28	4¼
8	L122-7801	1670	972	37	2¼
9	L122-7802	1670	350	37	3¼
10	ZZ1-759-01	250	70	27	1¼
11	ZZ1-770	2005	70	27	1¼
12	ZZ1-792	1880	25	30	4¼

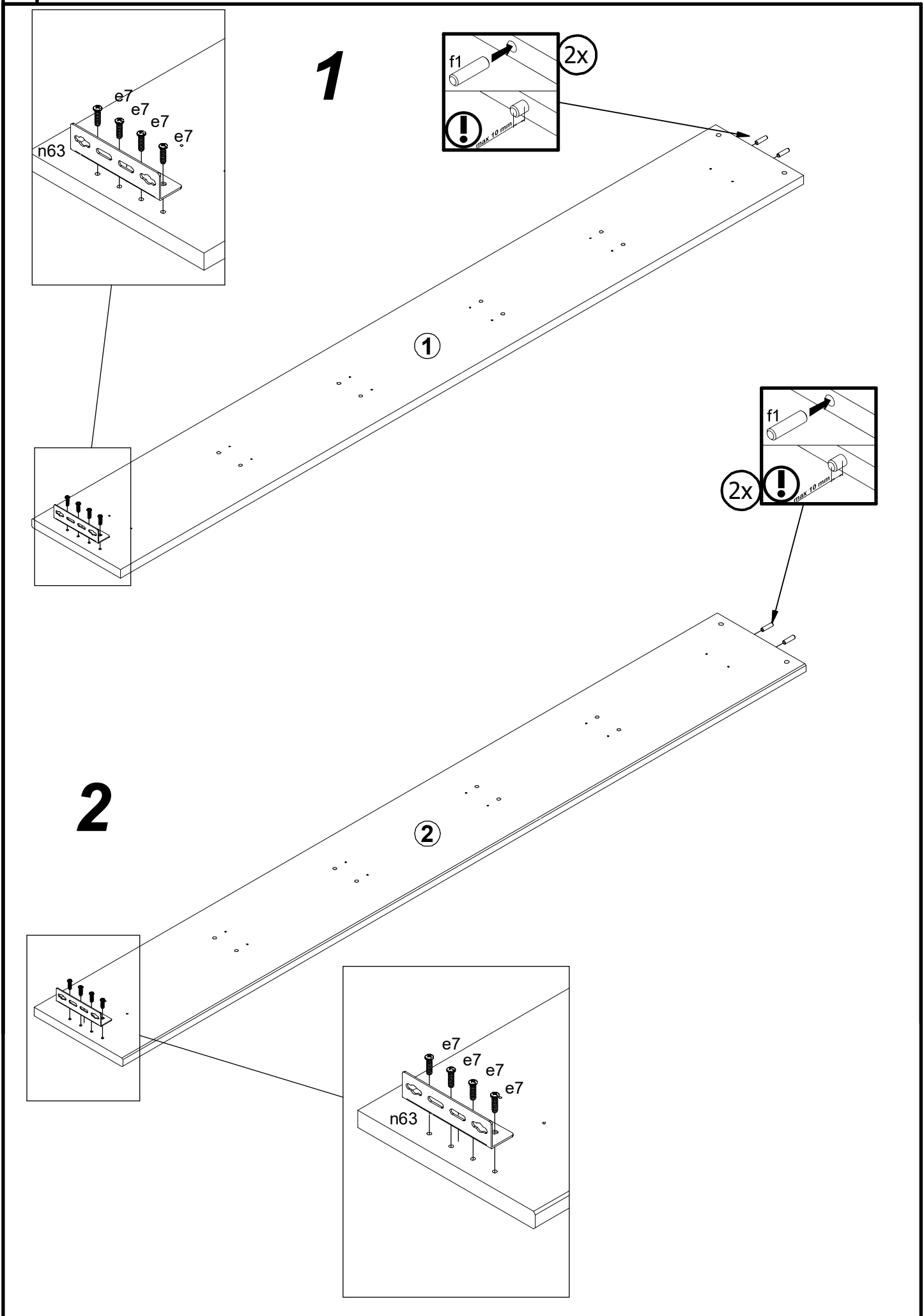


A

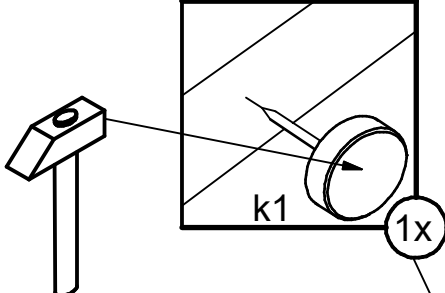
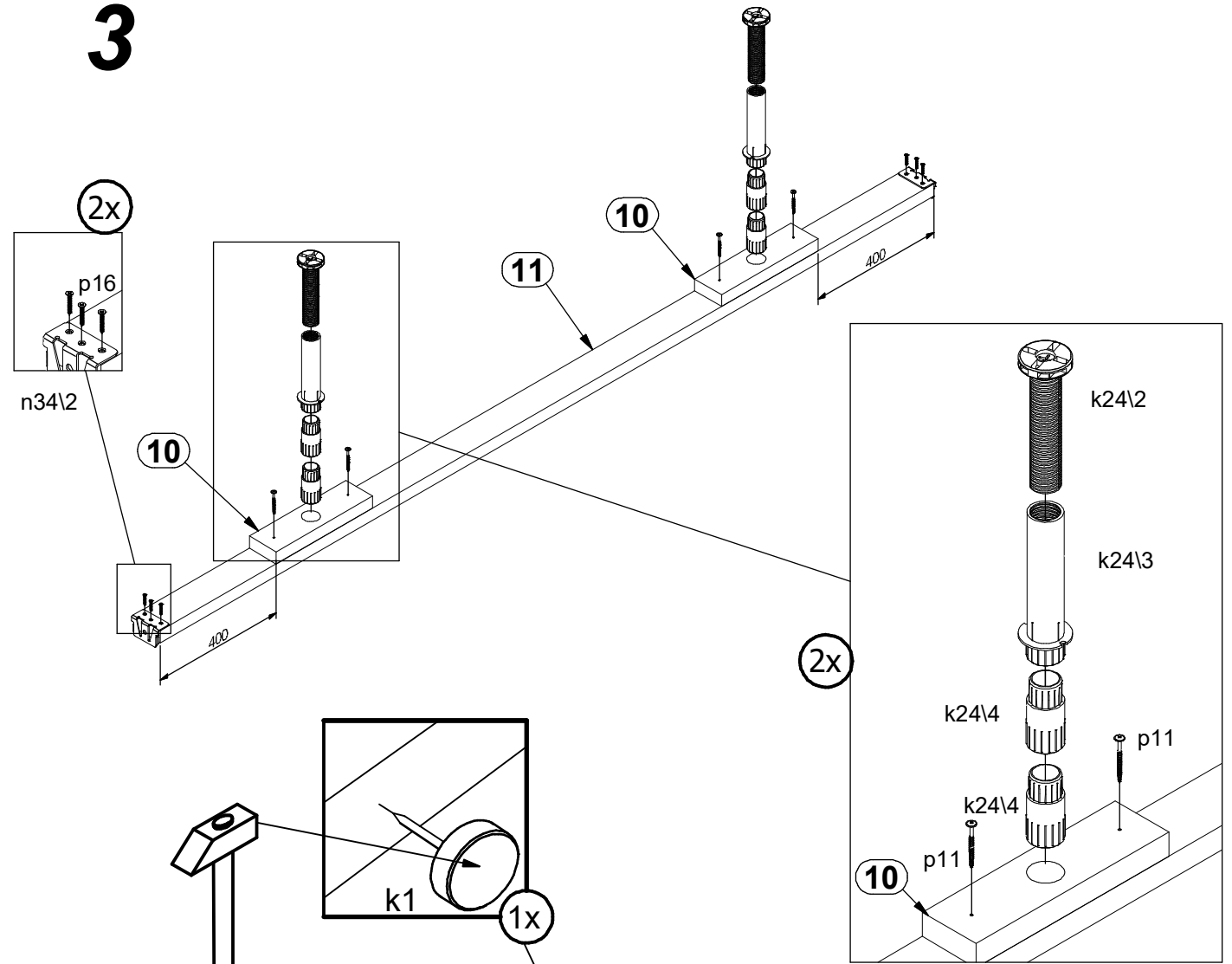


B

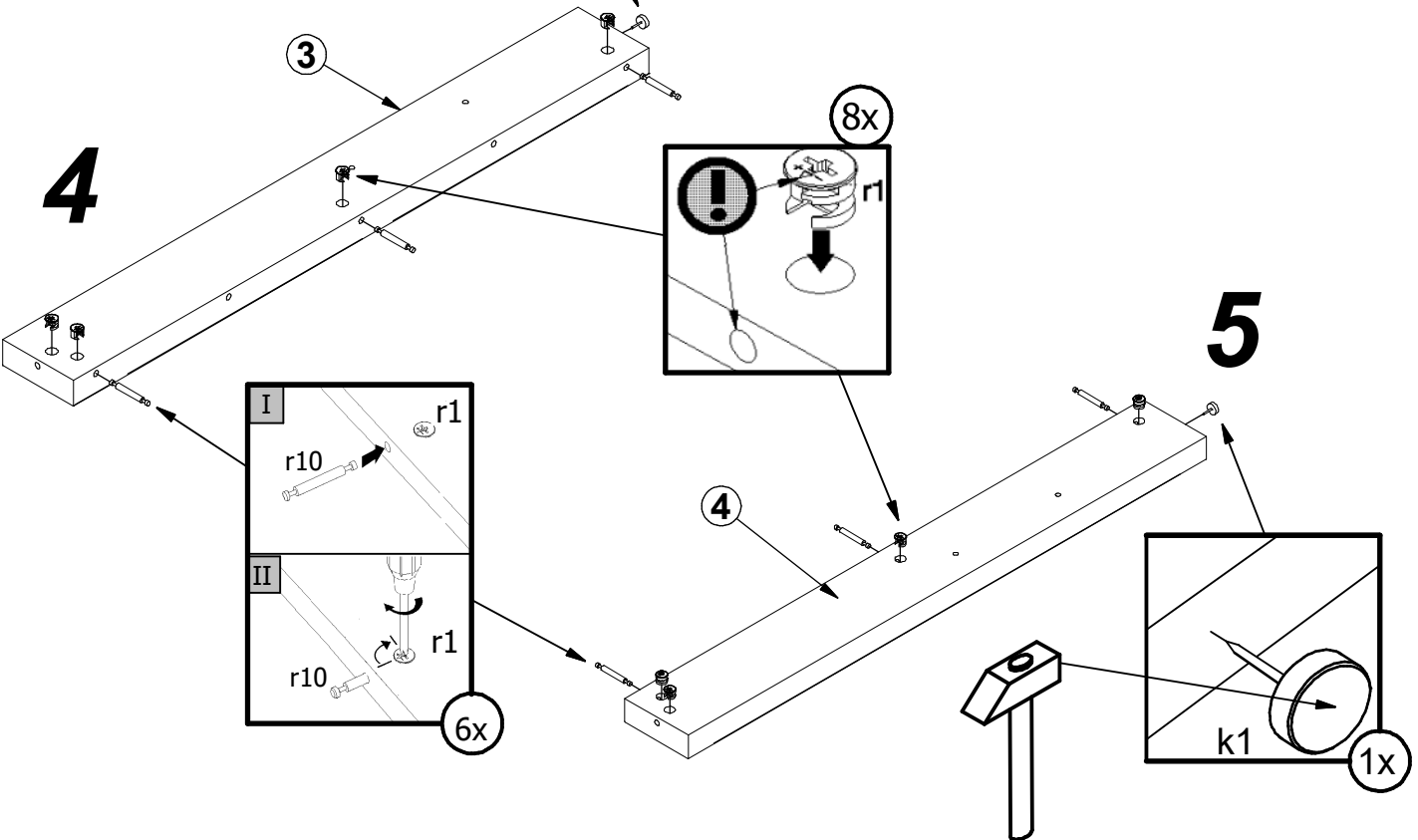




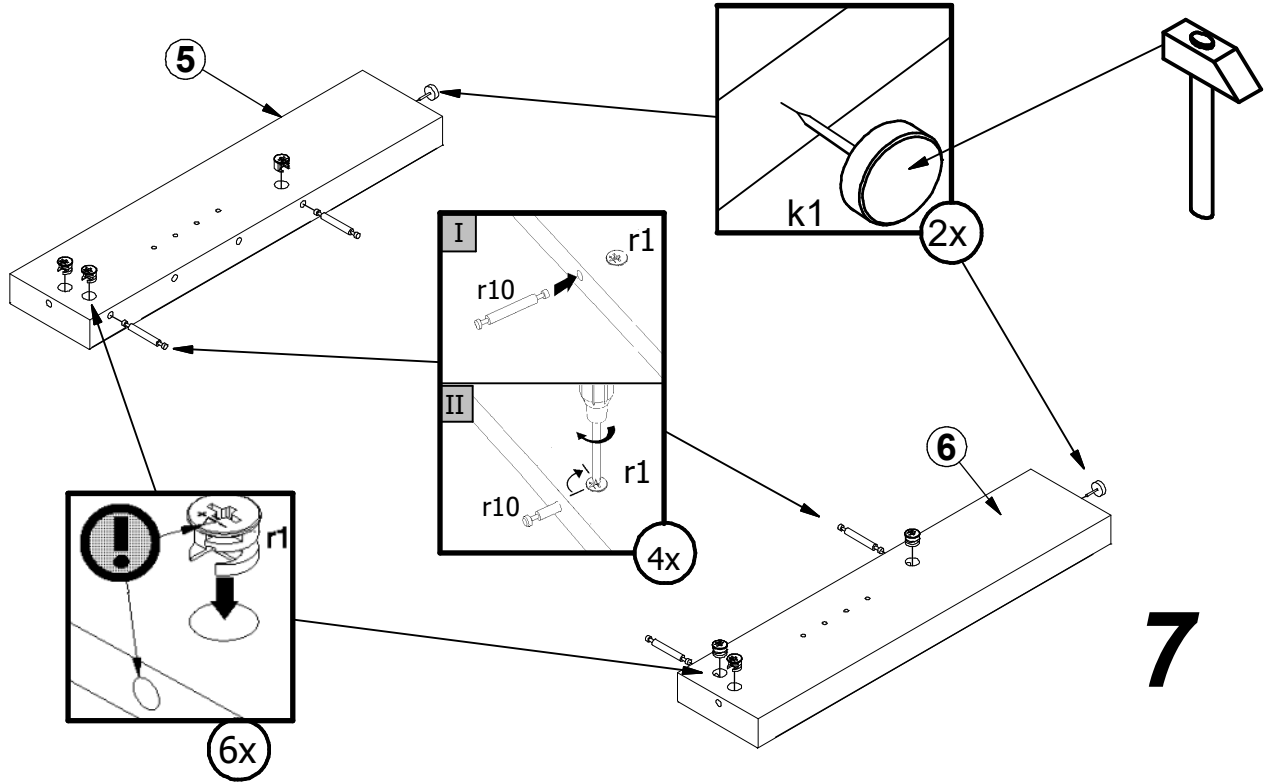
3



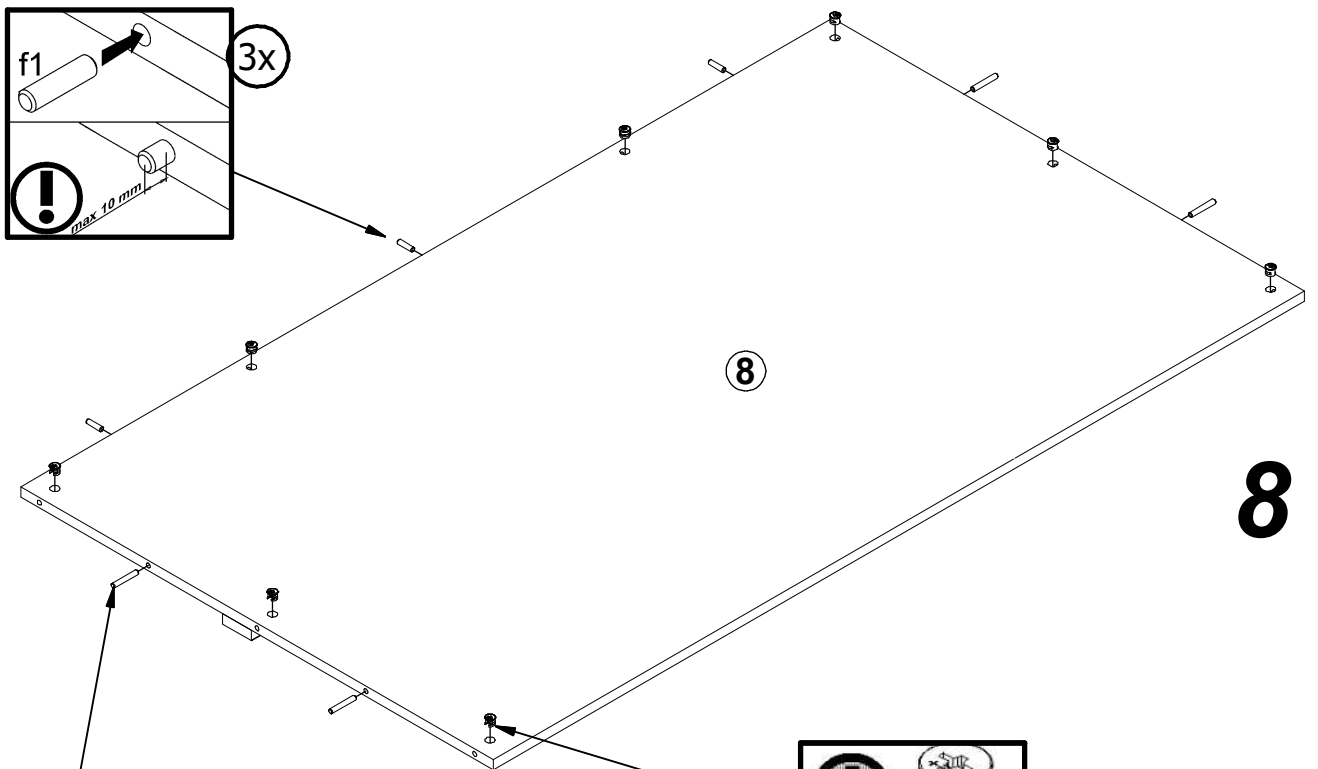
4



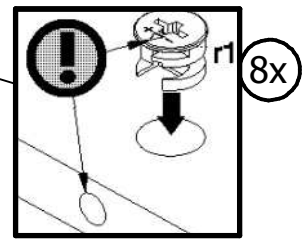
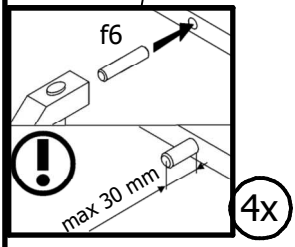
6



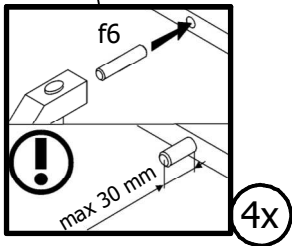
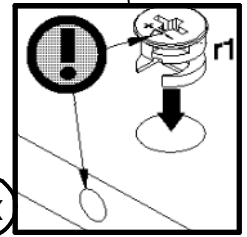
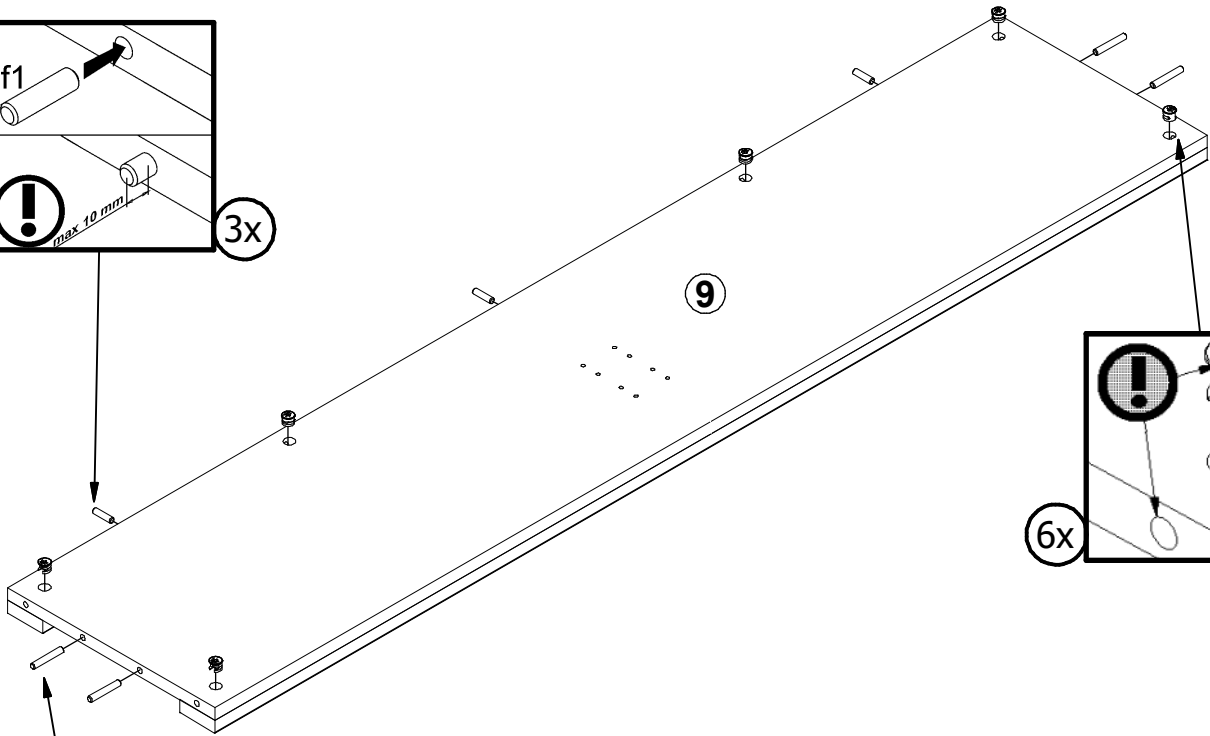
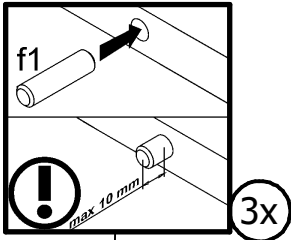
7



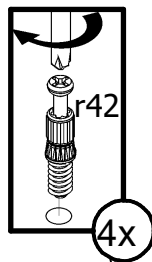
8



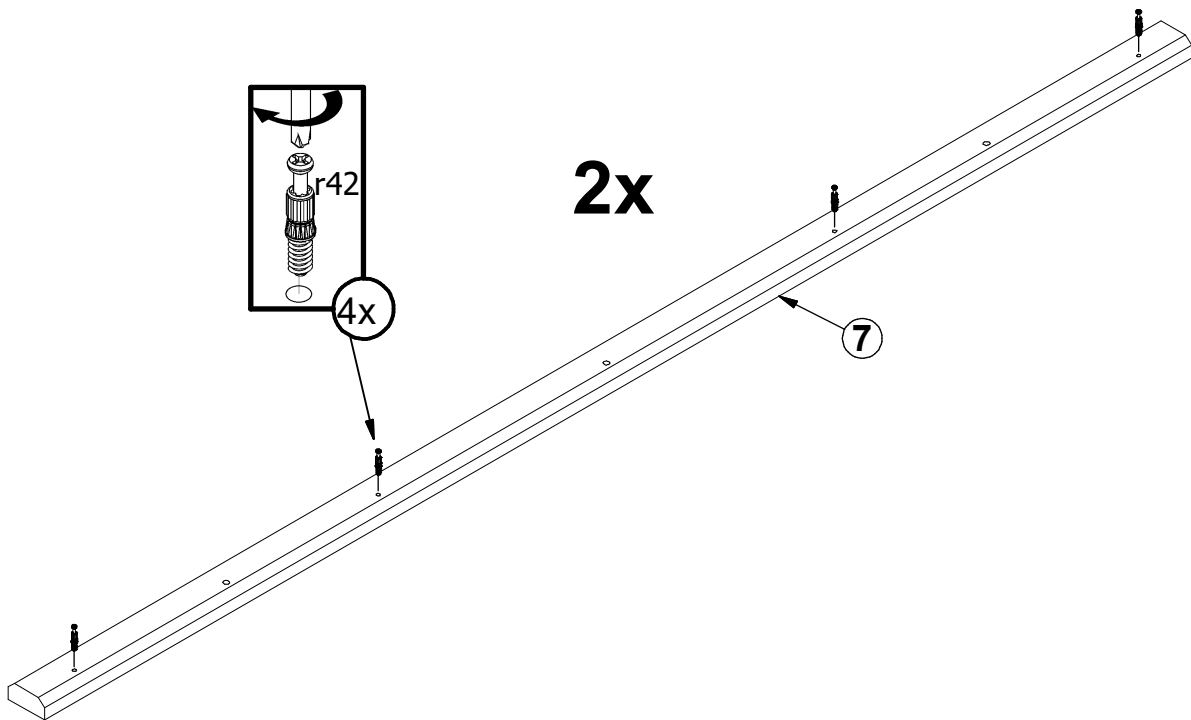
9

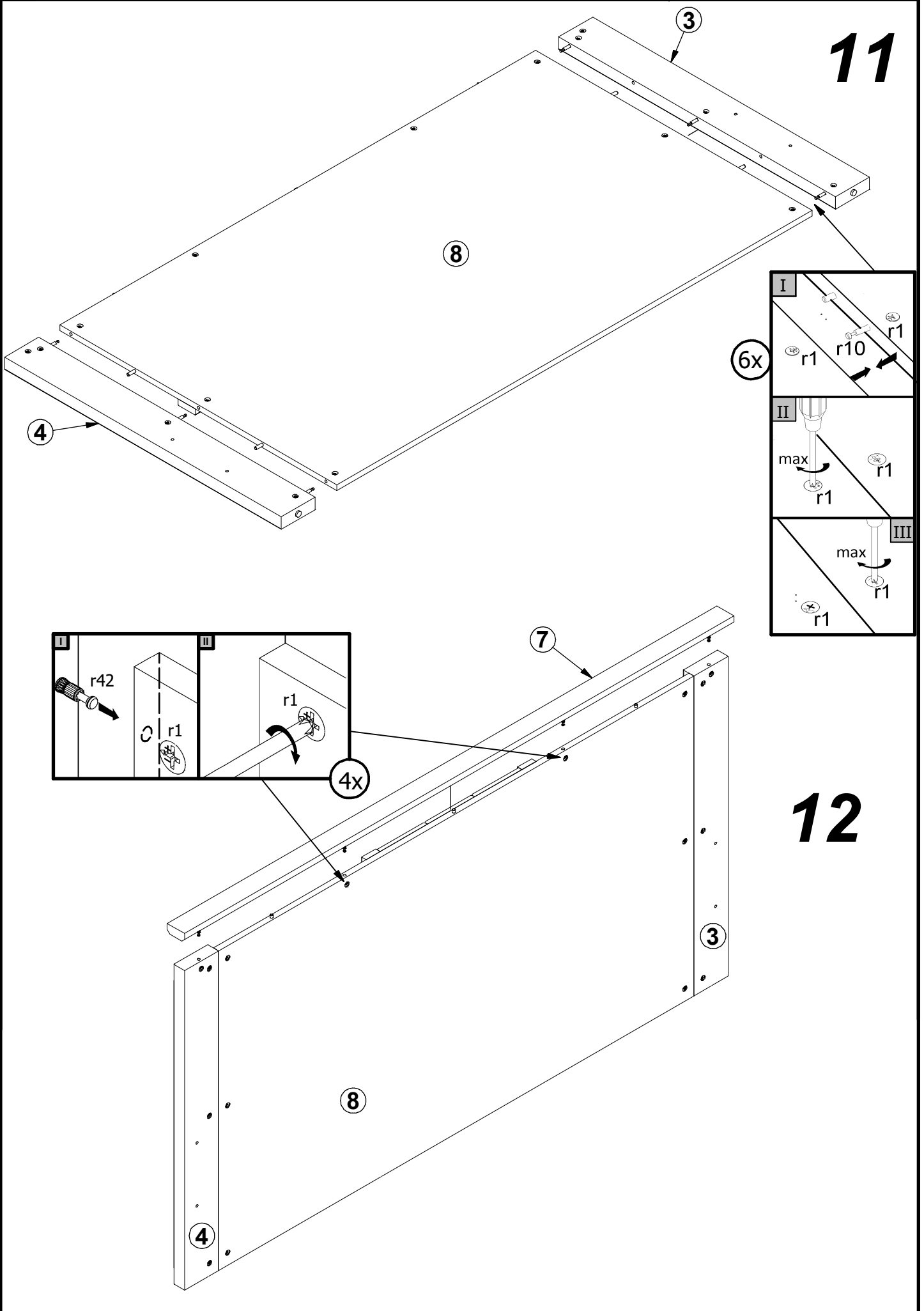


10

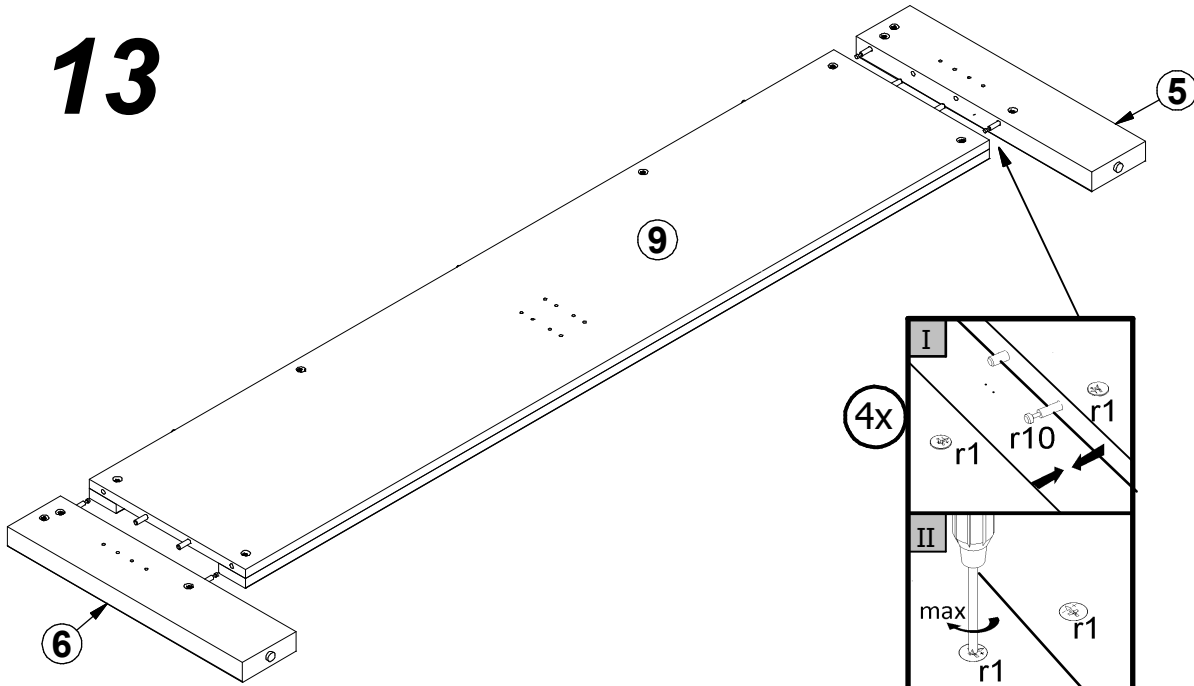


2x

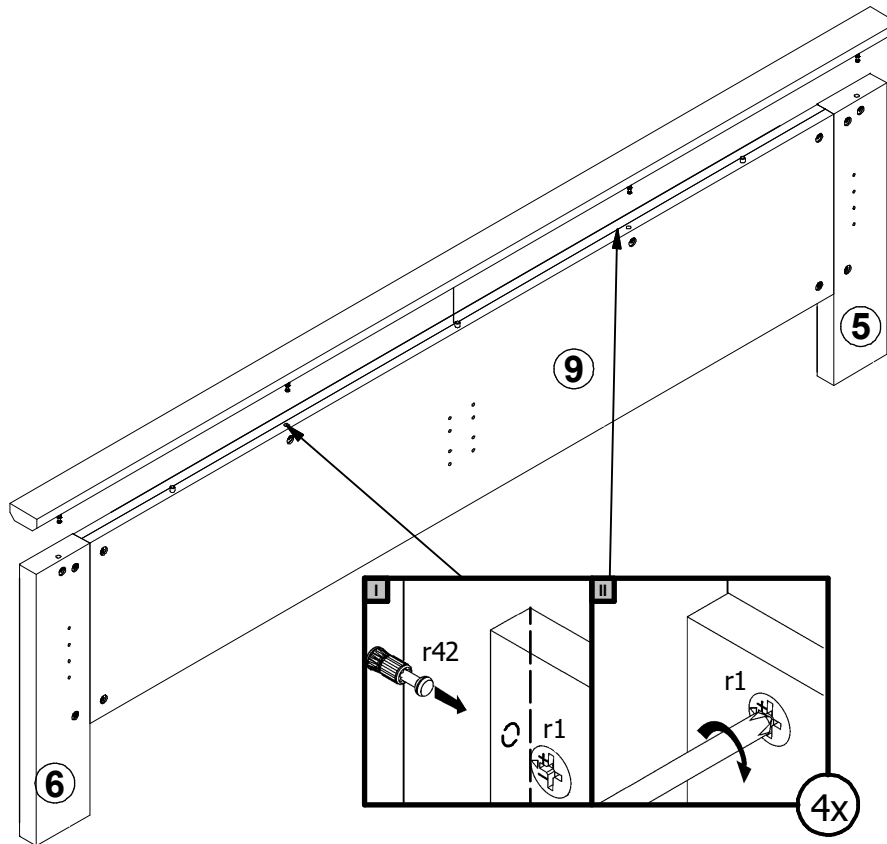




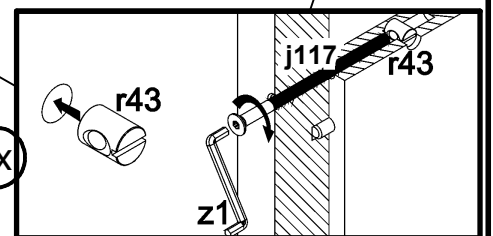
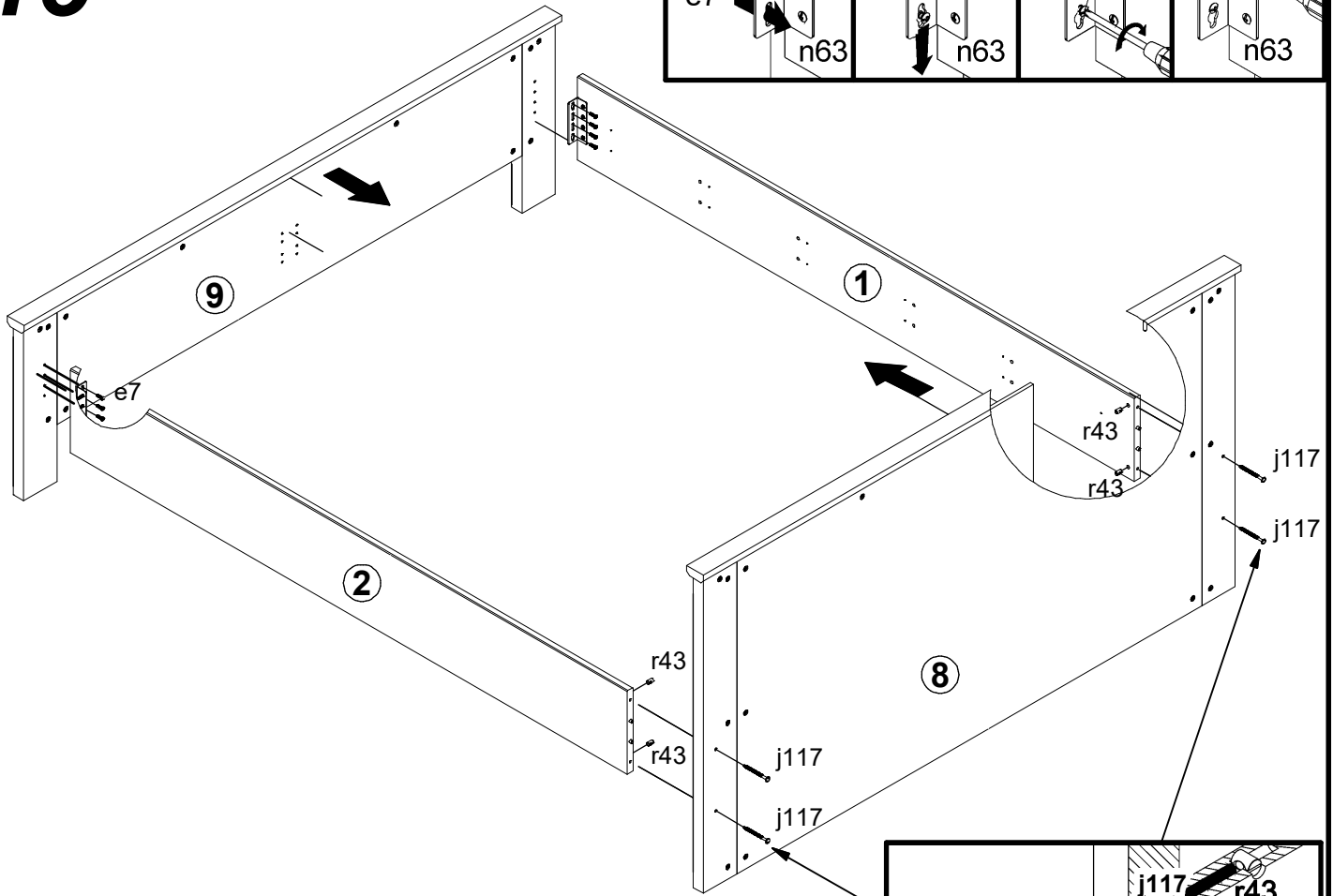
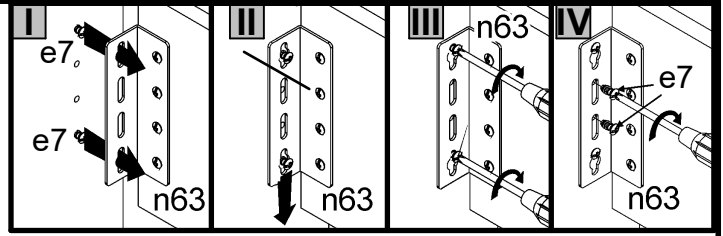
13



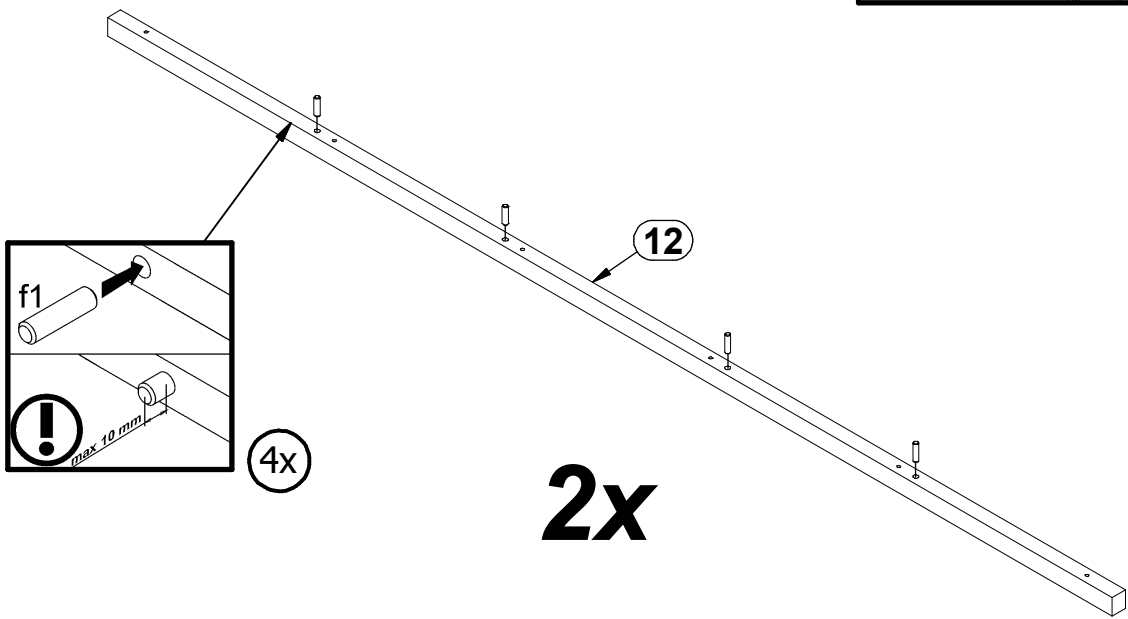
14



15

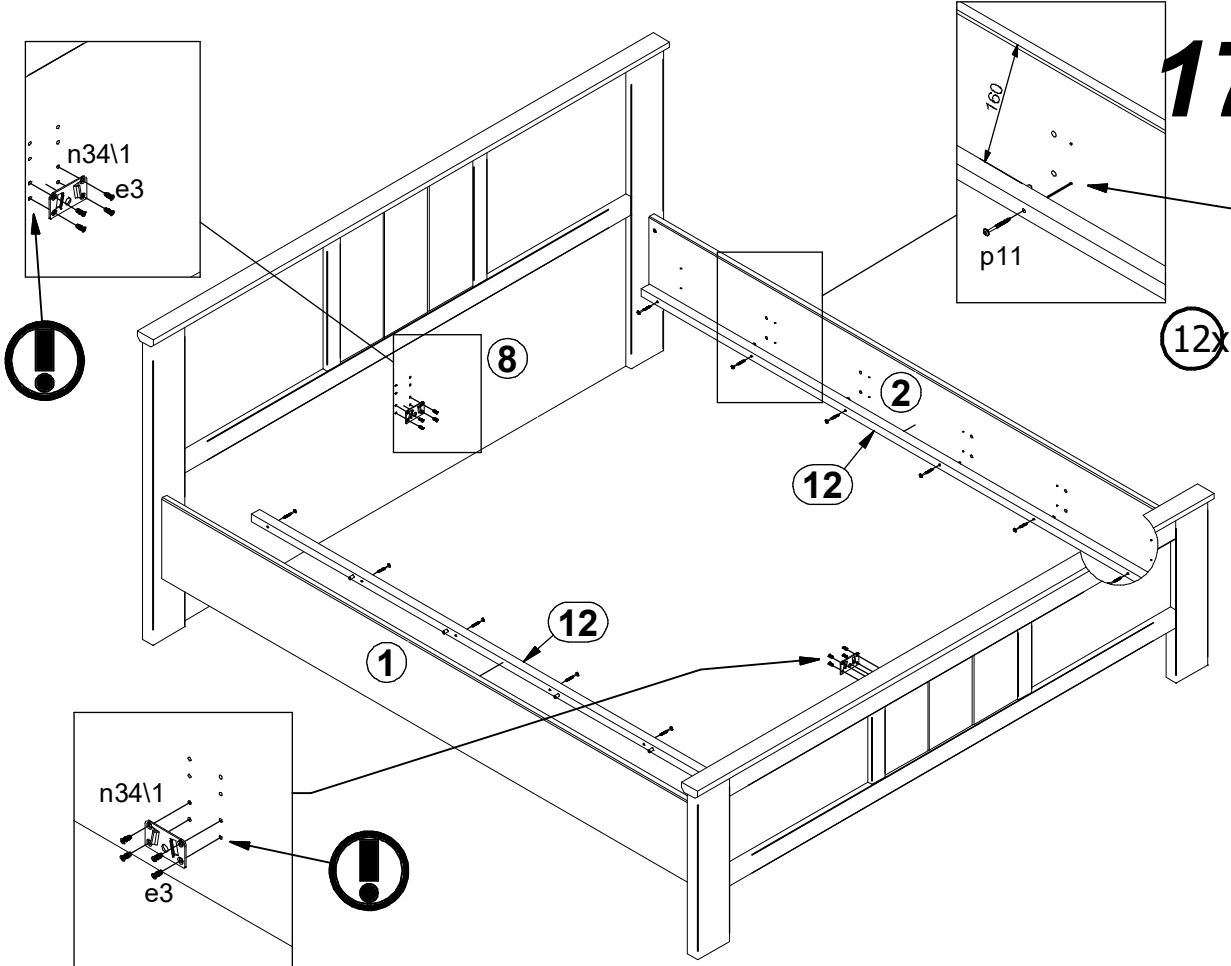


16

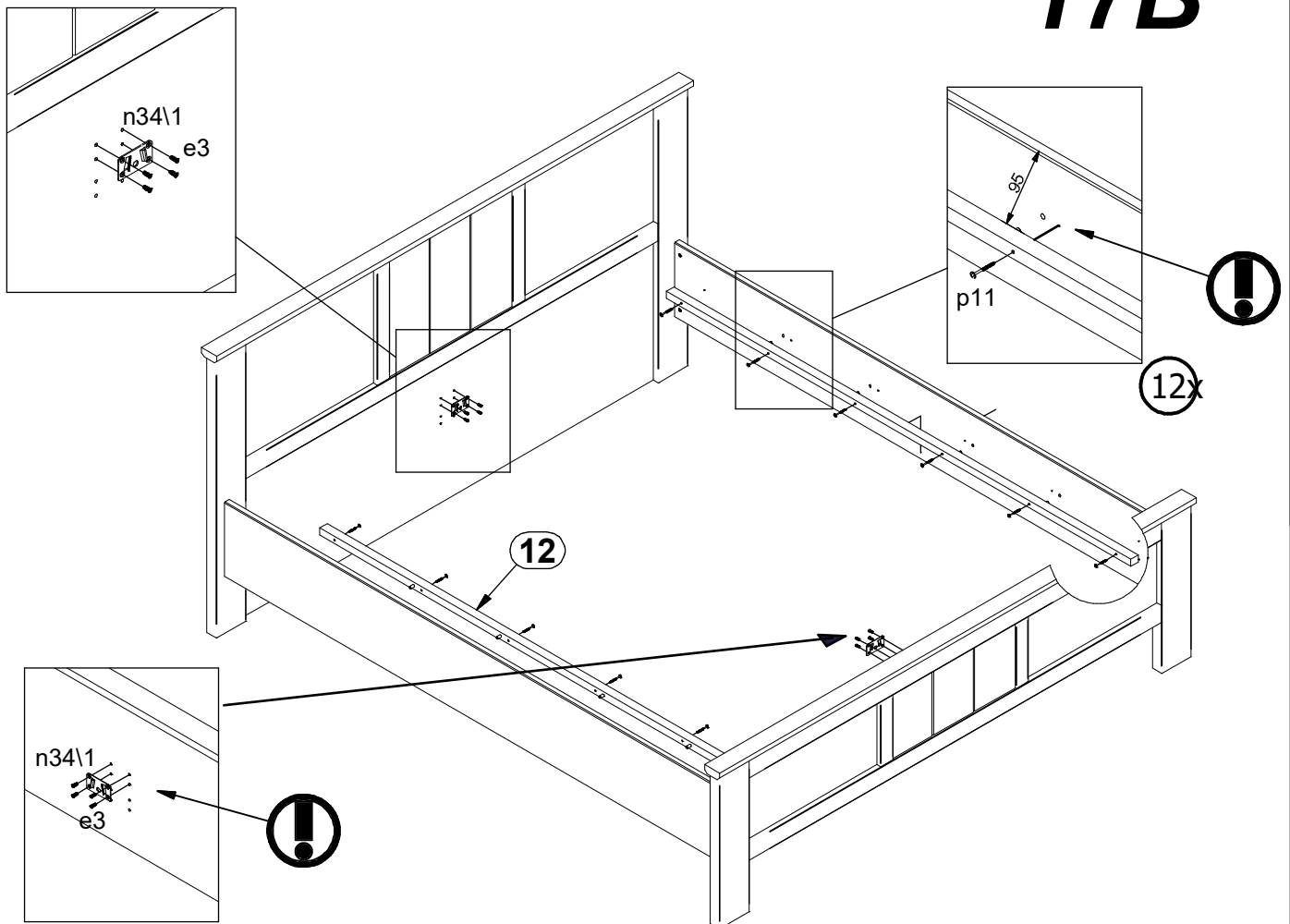


2x

17A



17B



18

