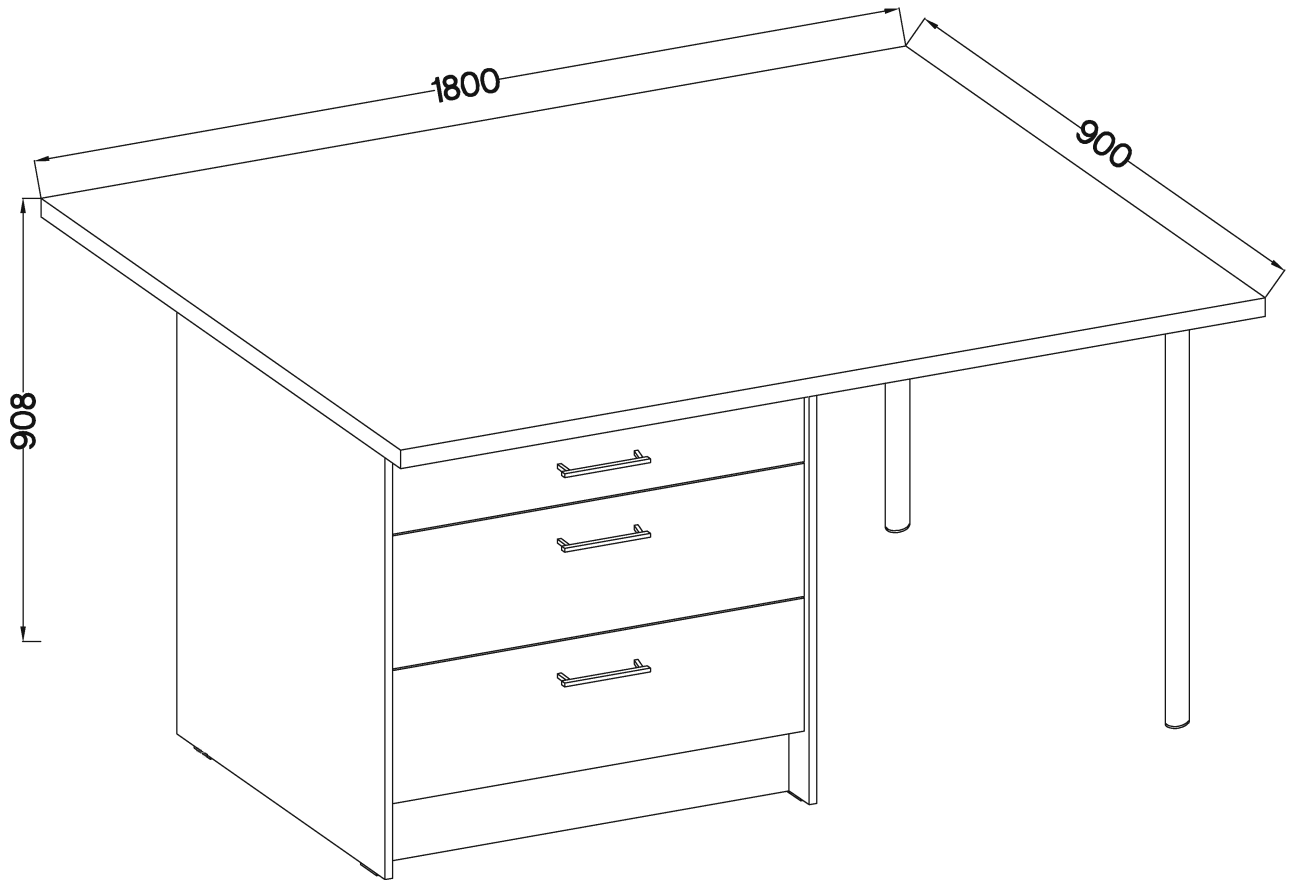
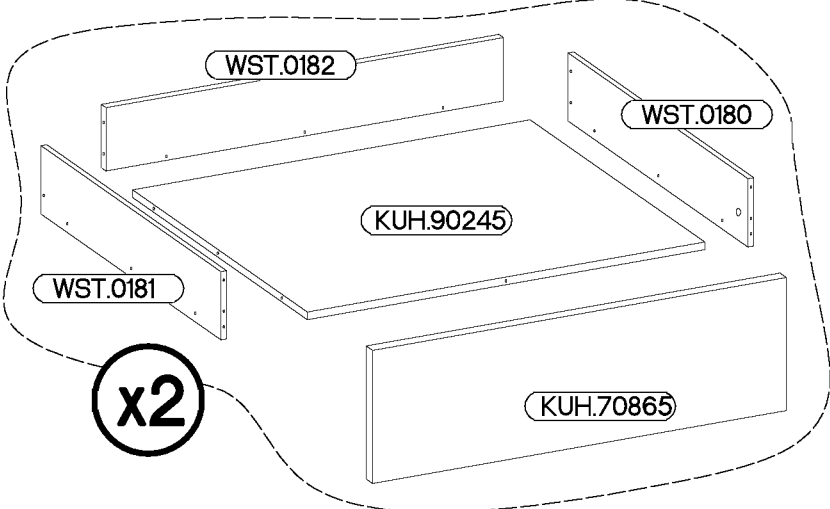
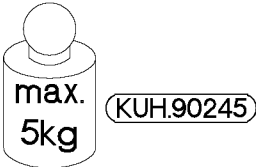
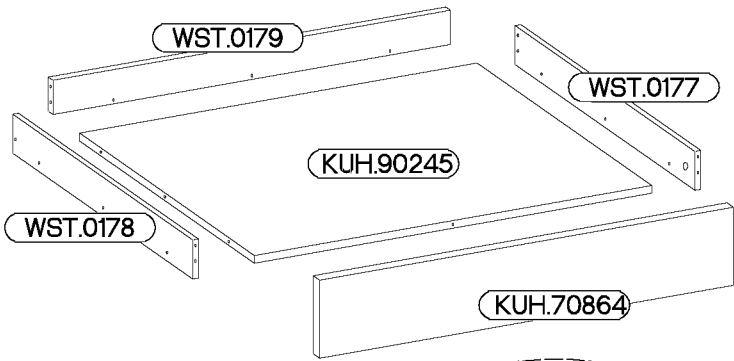
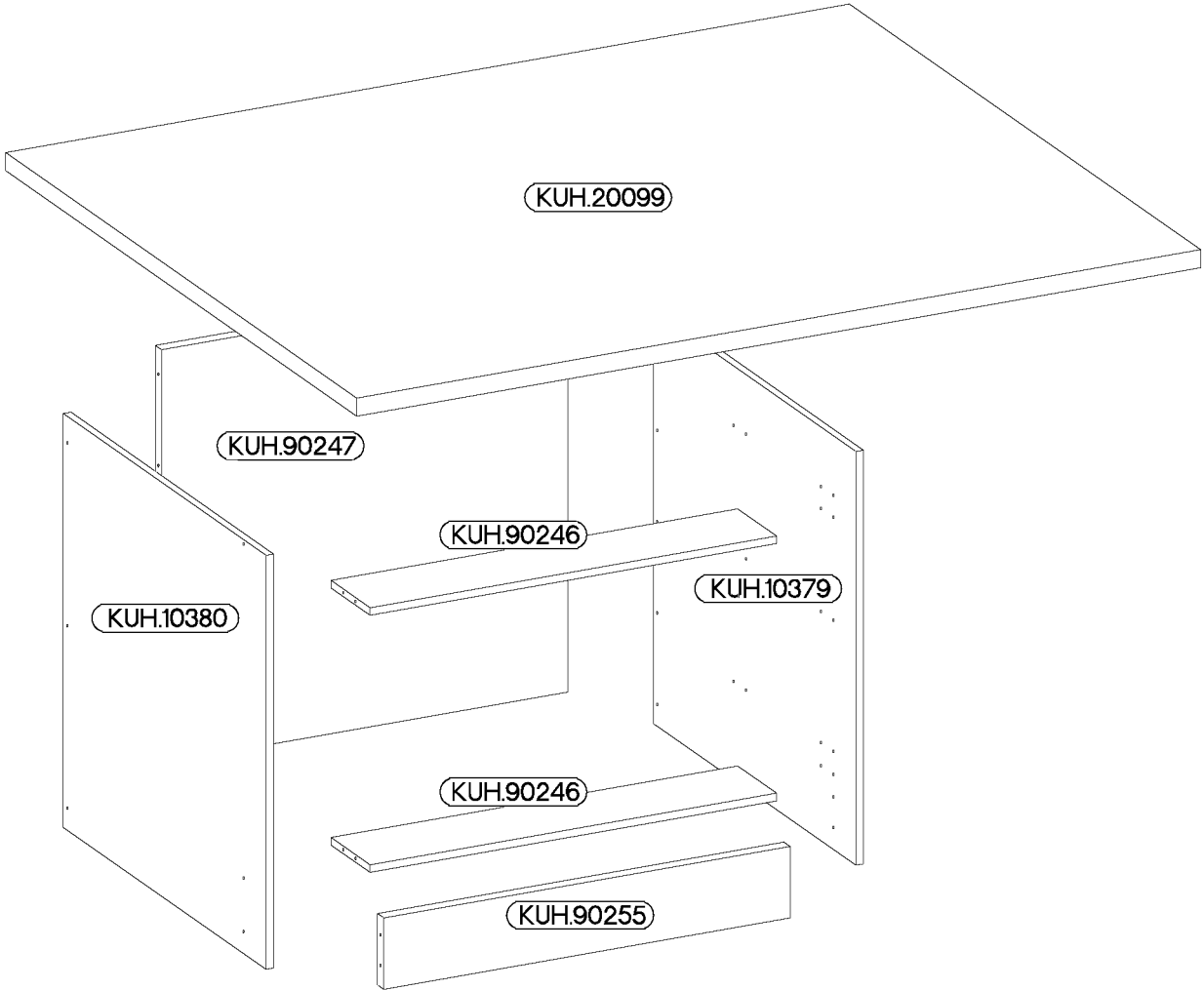


	<p>Ø 5mm Ø 10mm</p>	
	<p>90 min</p>	<p>W-84-217-Z2</p>



†8x30mm A 22	6,4 x 50mm B 39	†6x42mm B2 10	†15/12mm C 3	†12/10mm C5 6	L=20mm D2 9
E1 12	6.5x48x16 F2 4	L=450mm 3	[CD] †6.3x13mm I1 24	O 1	†3.5x13mm P5 8
				†4.0x30mm P8 8	L=160mm S 3
				T15 4	M4x22mm U 6





NASHVILLE

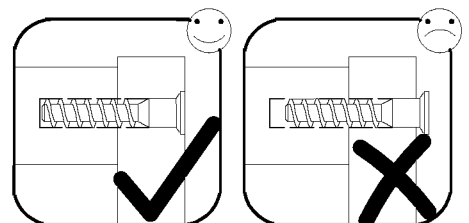
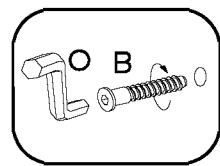
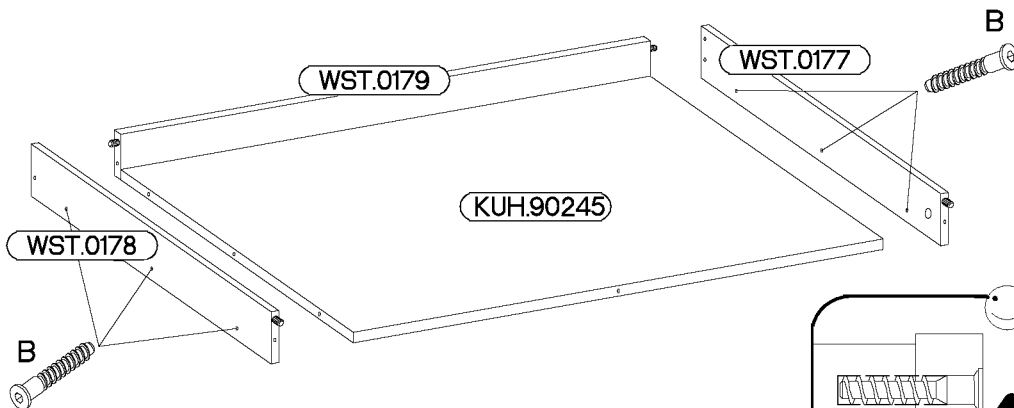
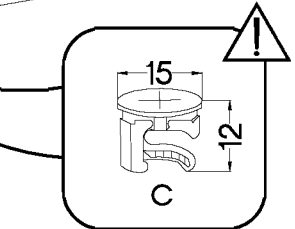
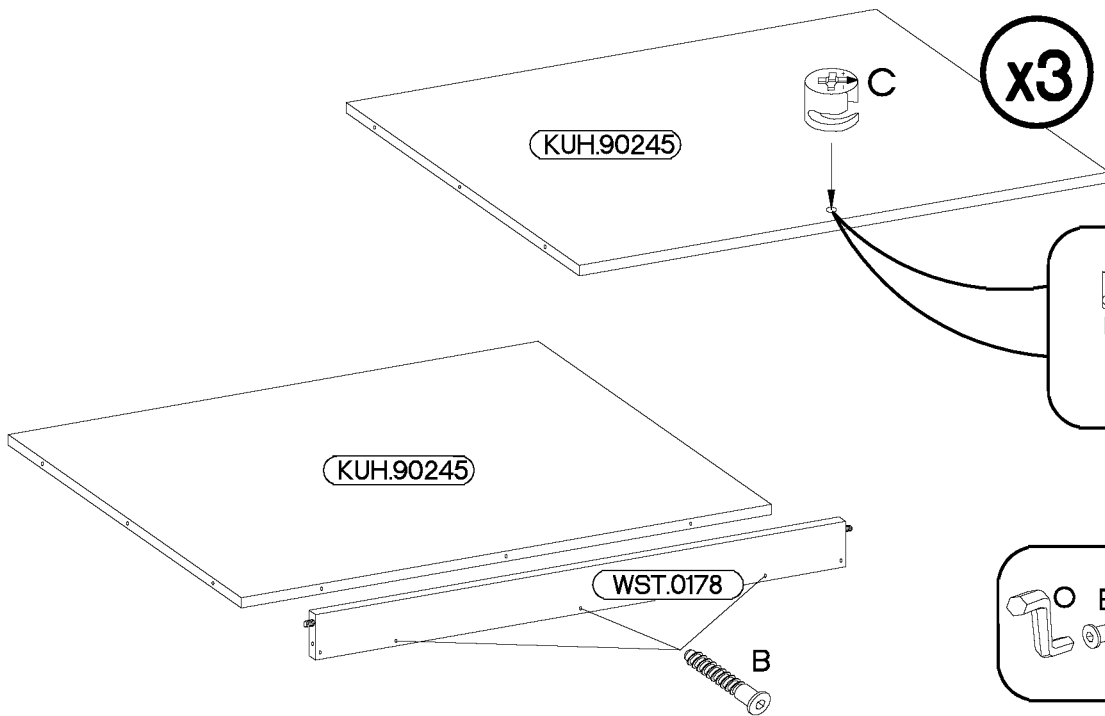
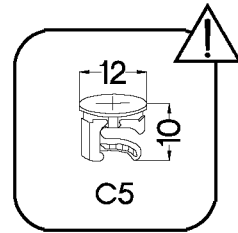
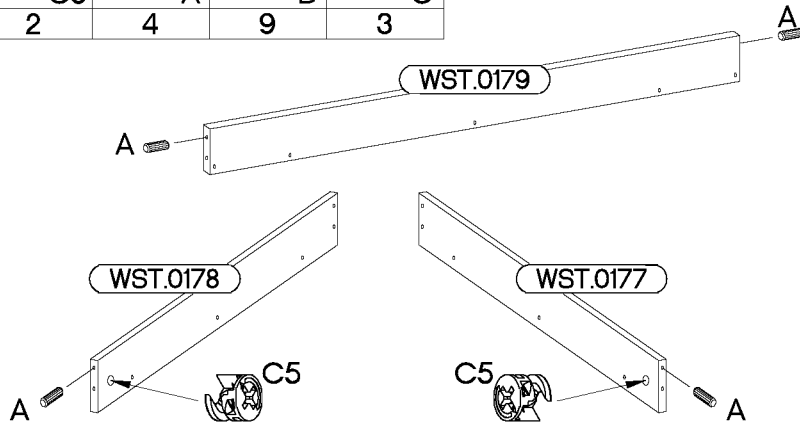
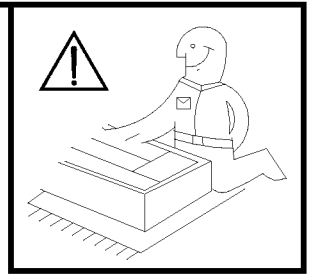


Colli	Ersatzteil Nummer	Dimension
Colli 1/2	KUH.70864	861x160x16
	KUH.90247	867x865x16
	KUH.90255	867x145x16
	KUH.90245 x3	827x437x16
	KUH.90246 x2	827x100x16
	WST.0177	450x80x12
	WST.0178	450x80x12
	WST.0179	827x70x12
	WST.0180 x2	450x140x12
	WST.0181 x2	450x140x12
WST.0182 x2	827x130x12	



Colli	Ersatzteil Nummer	Dimension
Colli 2/2	KUH.10379	865x520x16
	KUH.10380	865x520x16
	KUH.20099	1800x900x38
	KUH.70865 x2	861x273x16

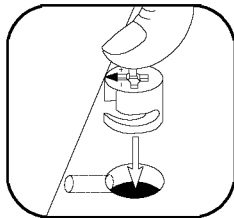
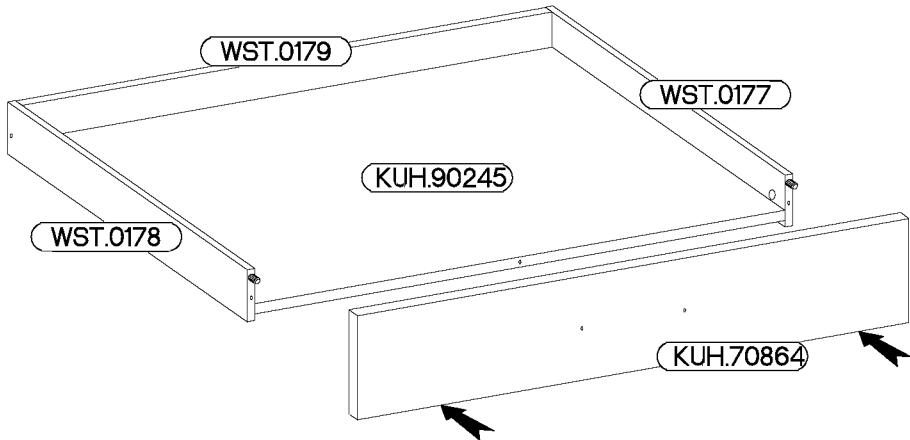
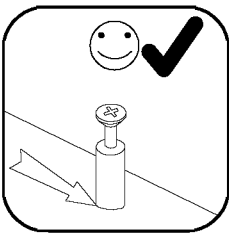
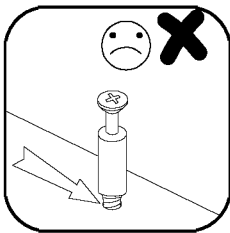
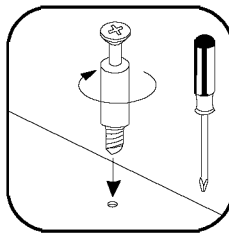
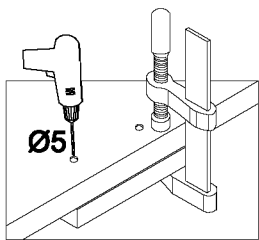
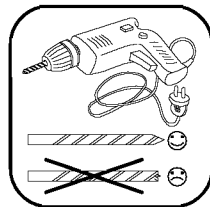
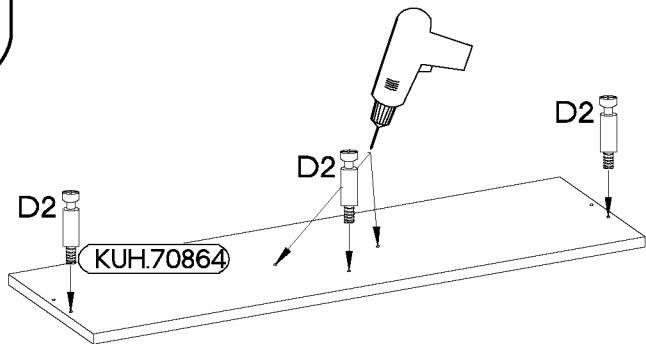
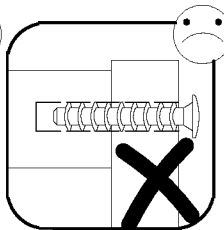
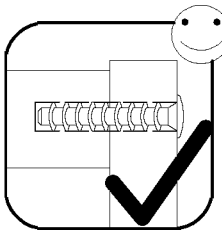
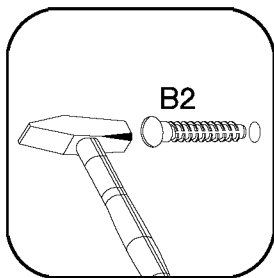
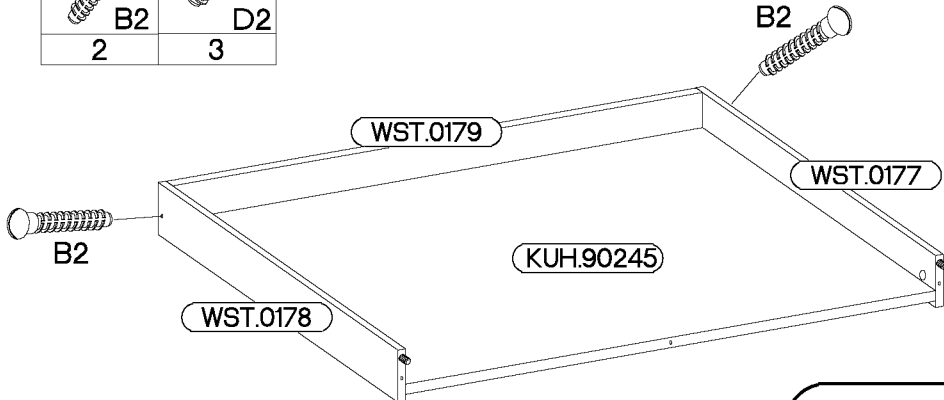
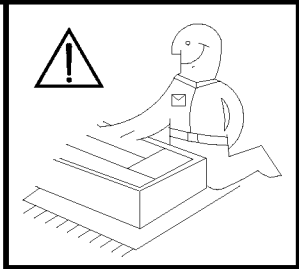
1

 #12/10mm C5 2	 #8x30mm A 4	 6,4 x 50mm B 9	 #15/12mm C 3
--	--	---	---


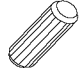



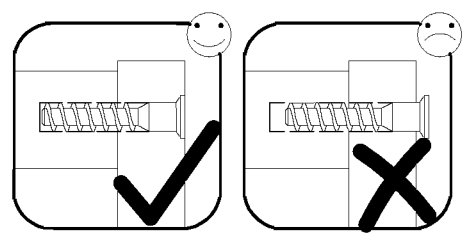
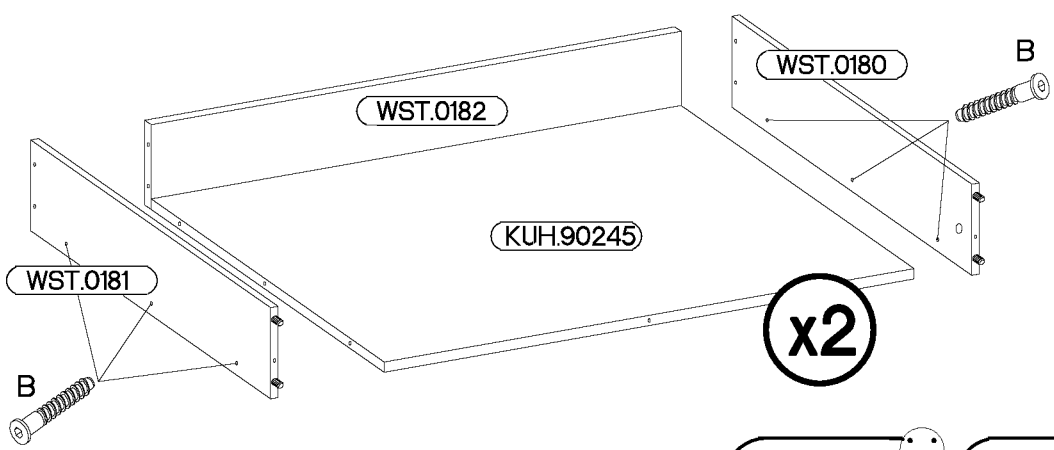
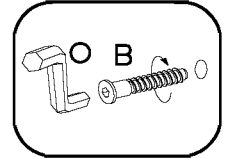
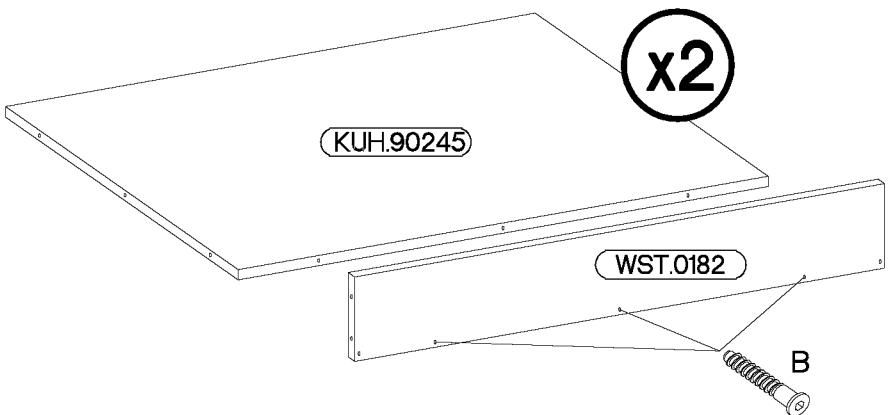
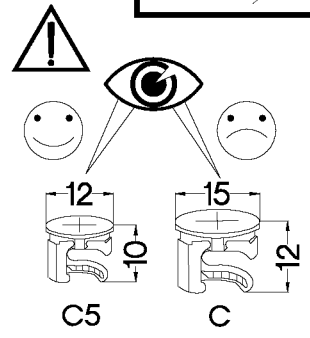
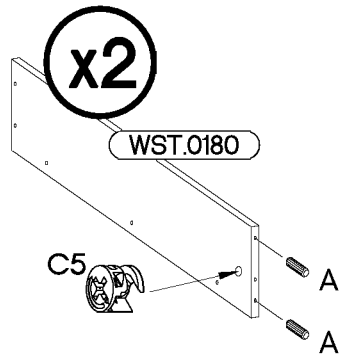
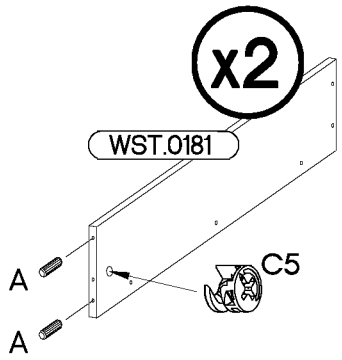
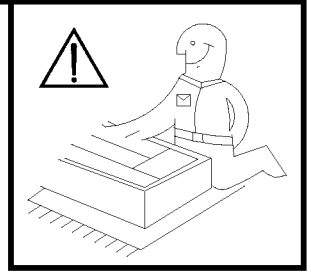
2

+6x42mm	L=20mm
	
B2	D2
2	3





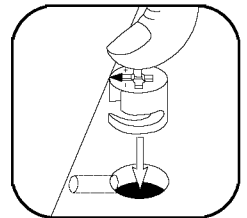
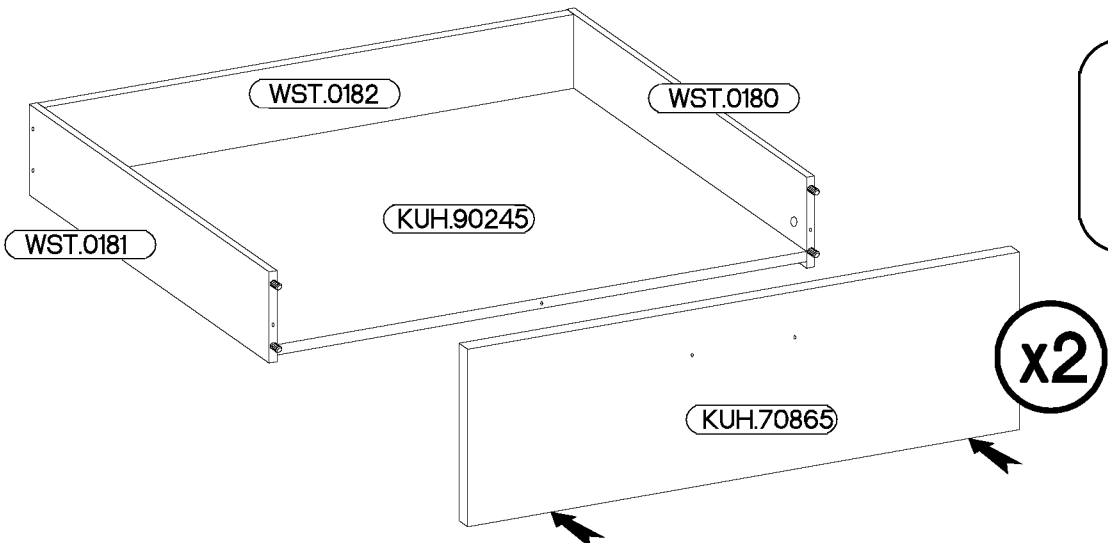
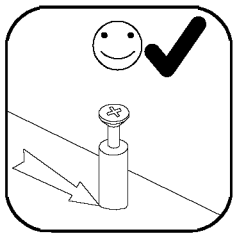
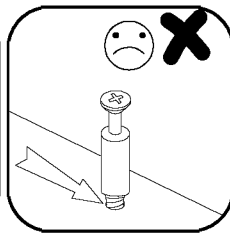
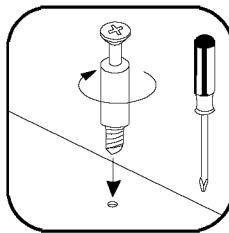
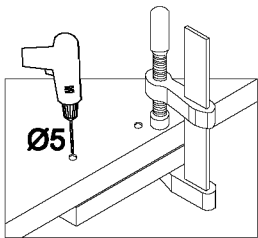
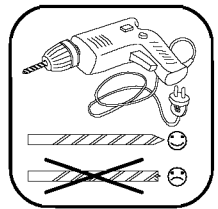
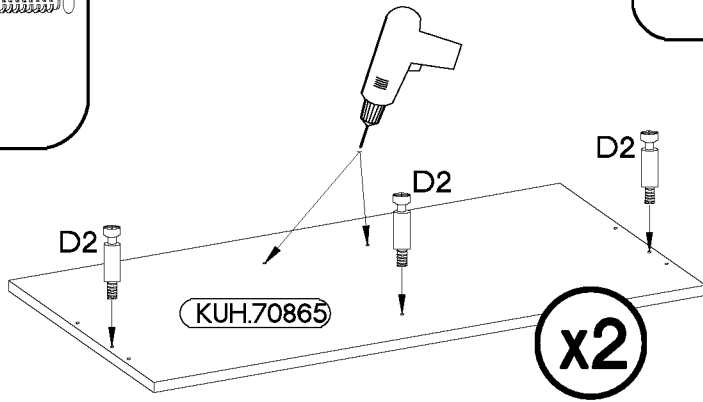
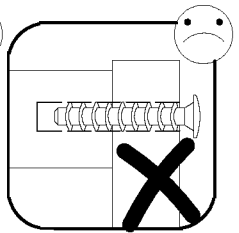
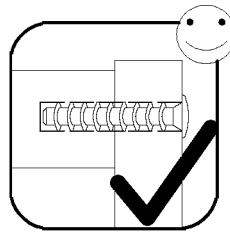
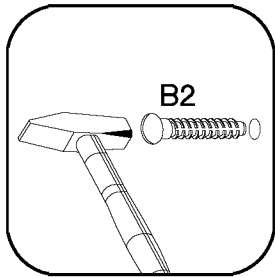
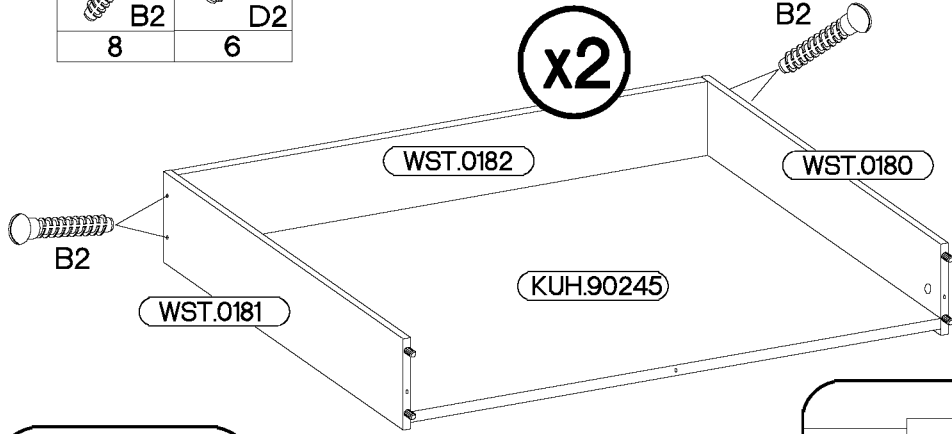
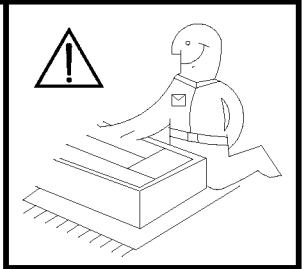
3

 †12/10mm C5 4	 †8x30mm A 8	 6,4 x 50mm B 18
--	--	--



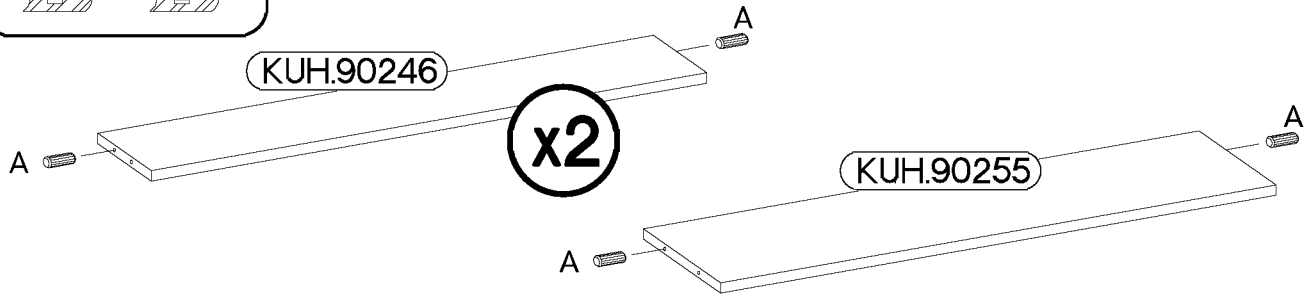
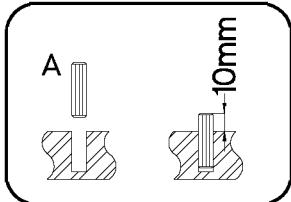
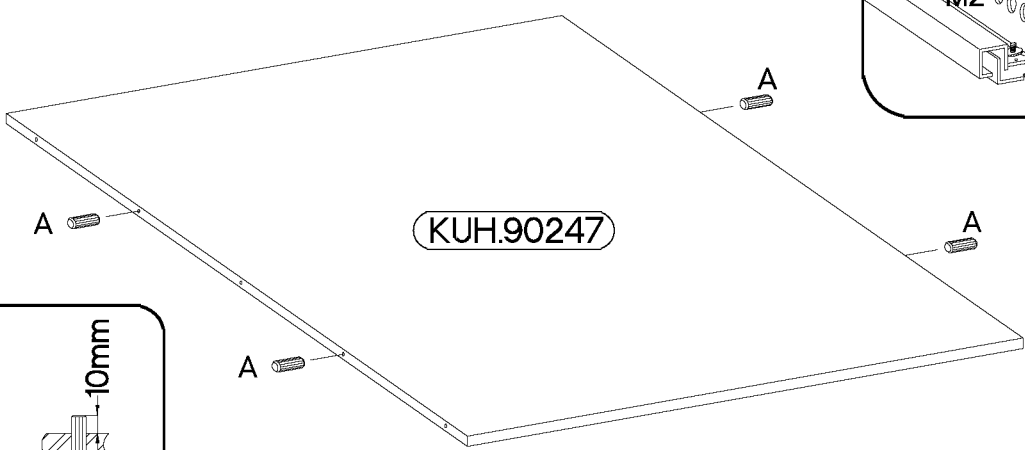
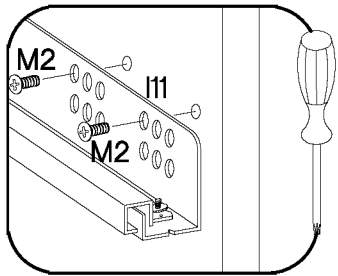
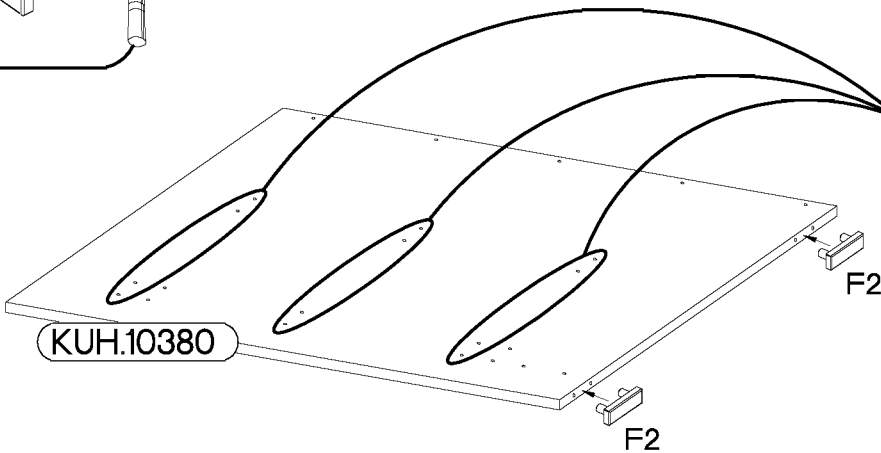
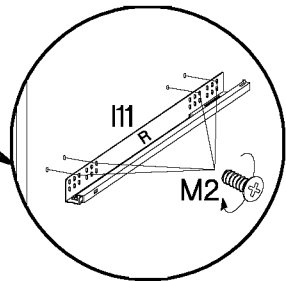
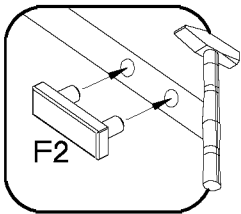
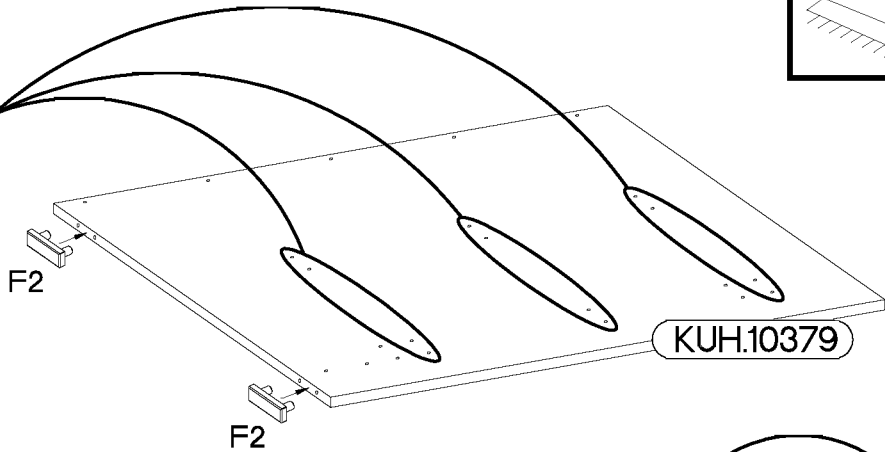
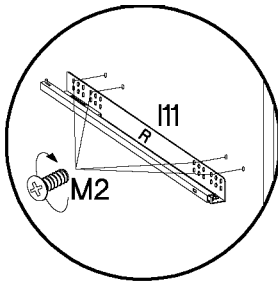
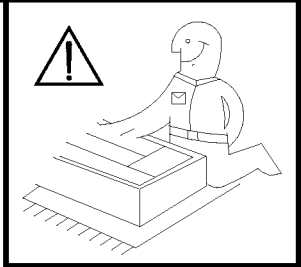
4

+6x42mm	L=20mm
	
B2	D2
8	6


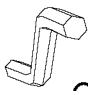



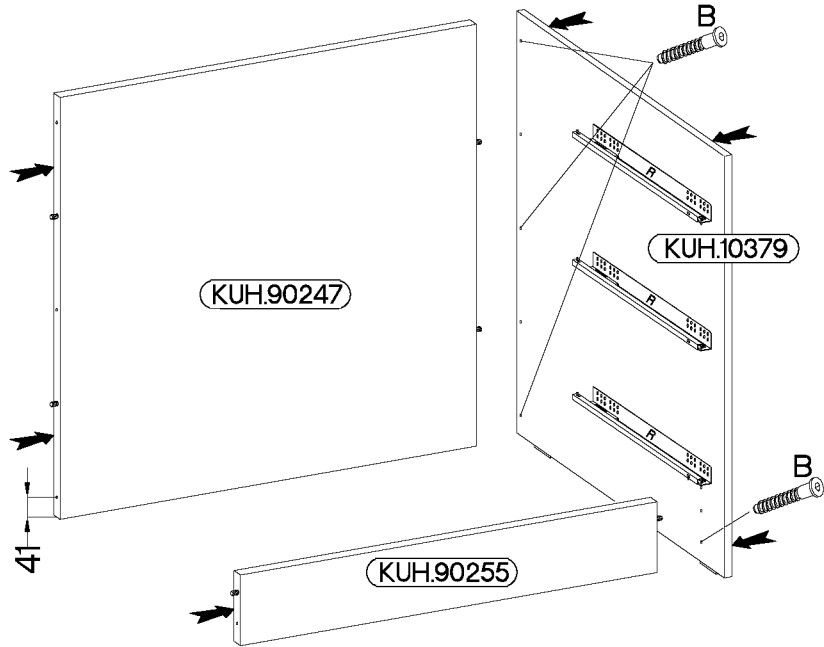
5

±8x30mm A	L=450mm L R	[CD] I11	±6.3x13mm M2	6.5x48x16 F2
10	3		24	4

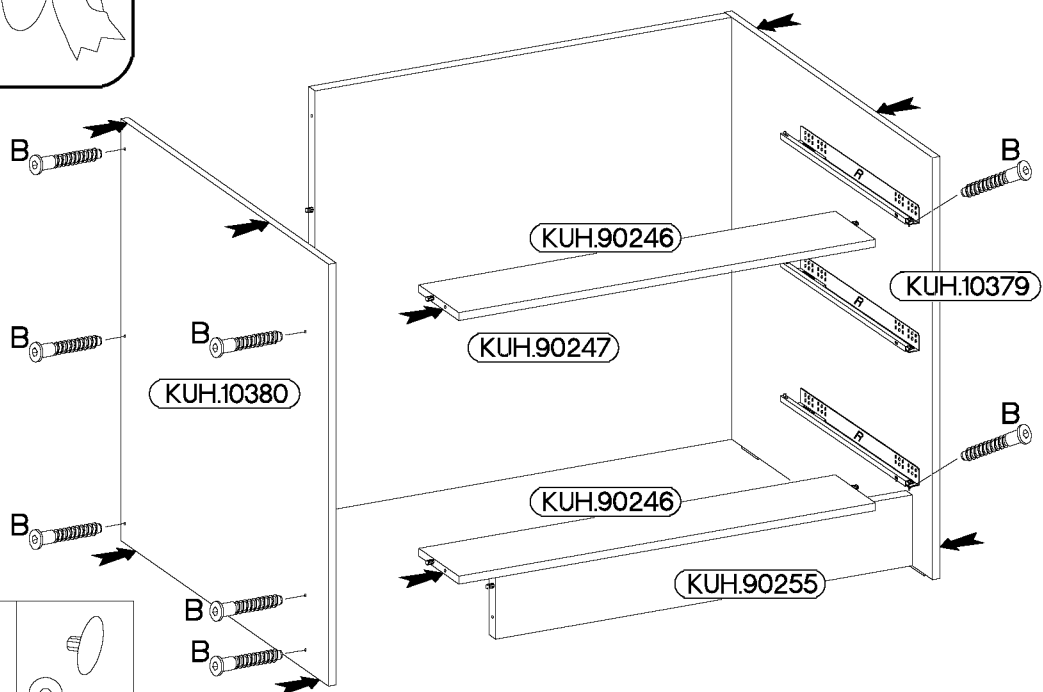
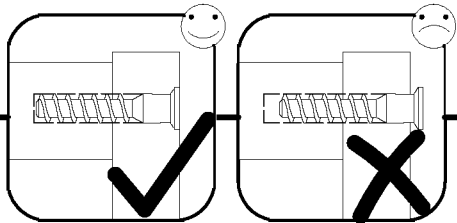
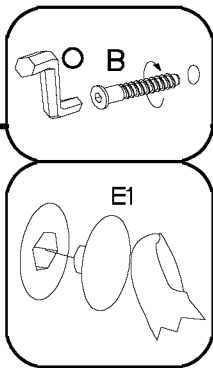



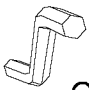
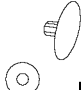
6

6,4 x 50mm		
		
B	O	E1
4	1	4






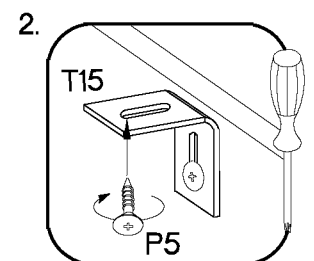
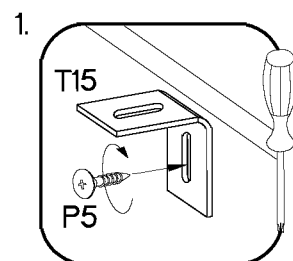
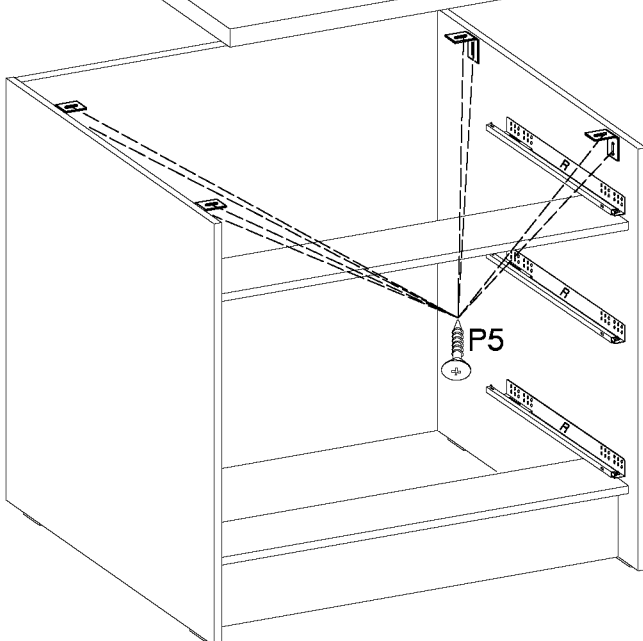
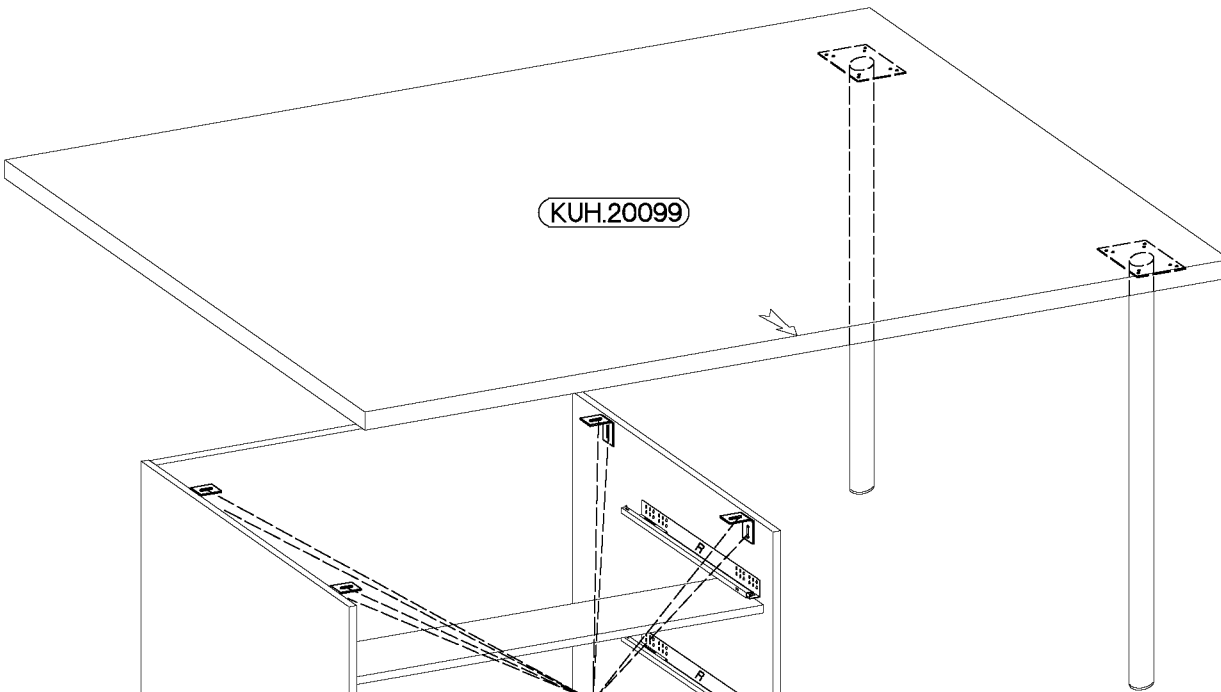
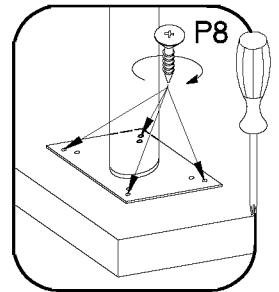
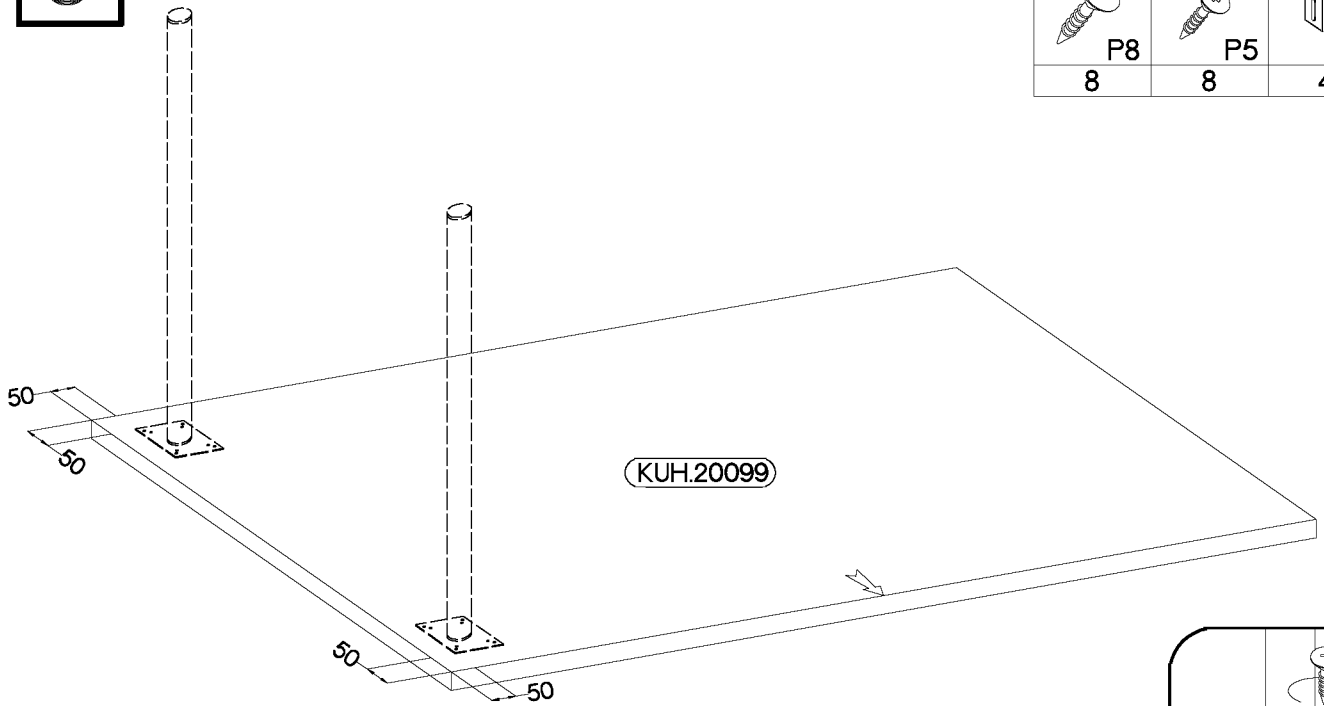
7



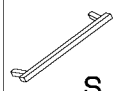

6,4 x 50mm		
		
B	O	E1
8	1	8

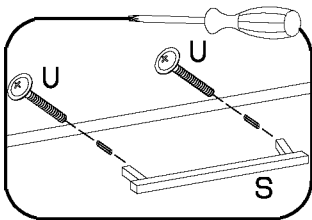
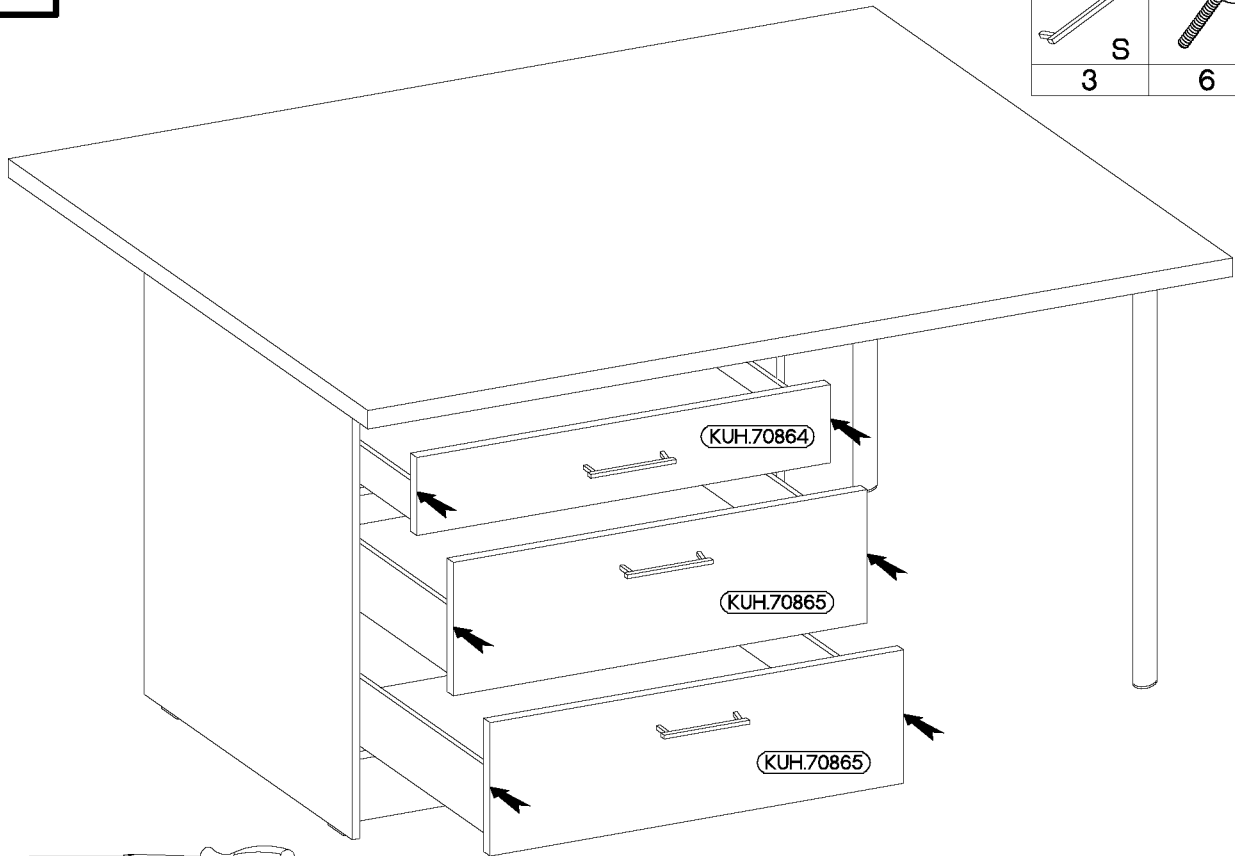
8

$\pm 4.0 \times 30 \text{mm}$	$\pm 3.5 \times 13 \text{mm}$	
		T15
8	8	4

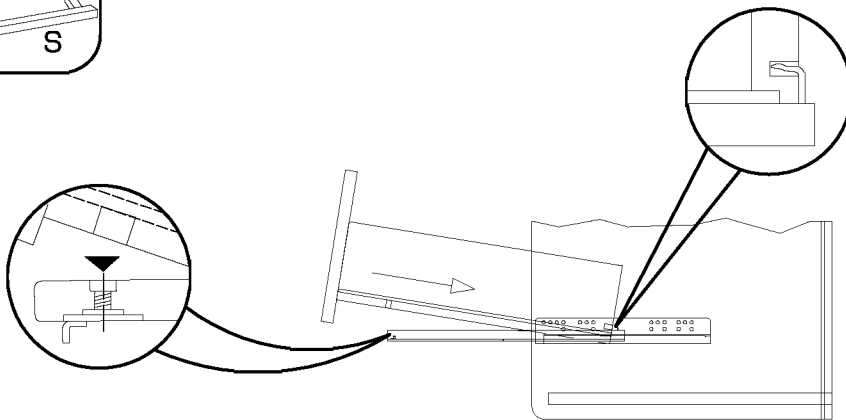


9

L=160mm	M4x22mm
	
S	U
3	6



1.



2.

