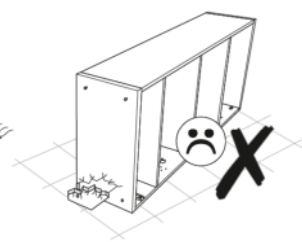
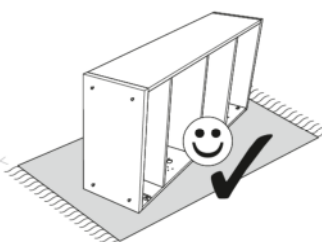
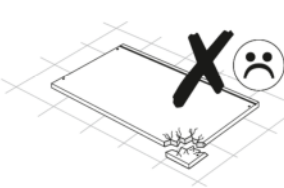
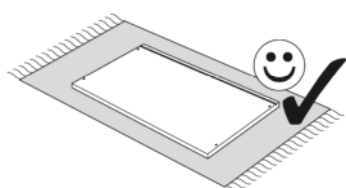
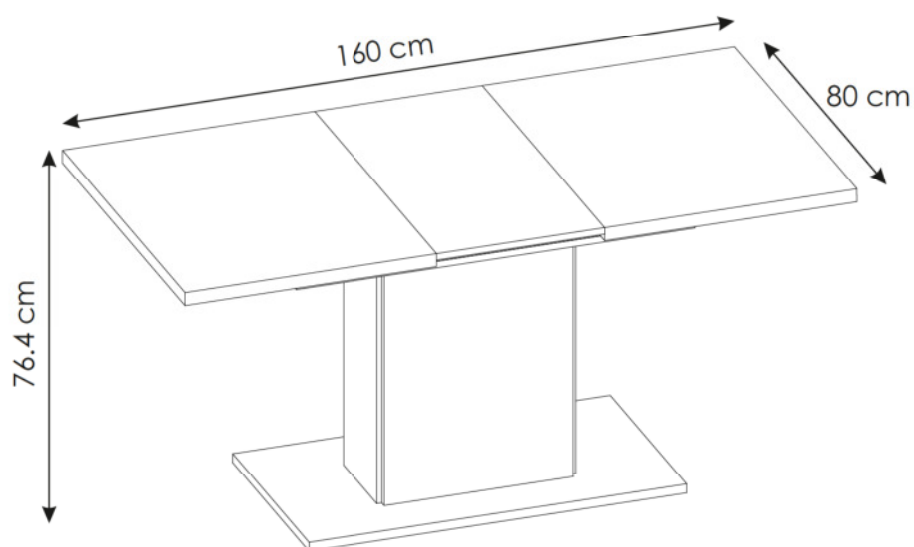
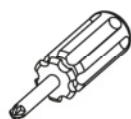
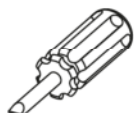
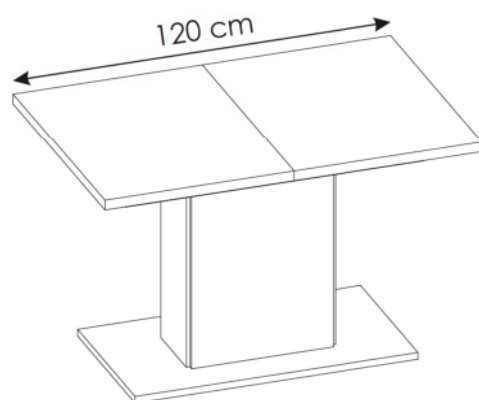
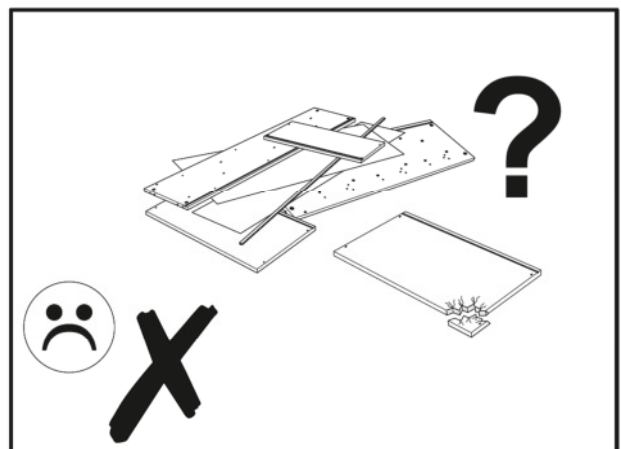
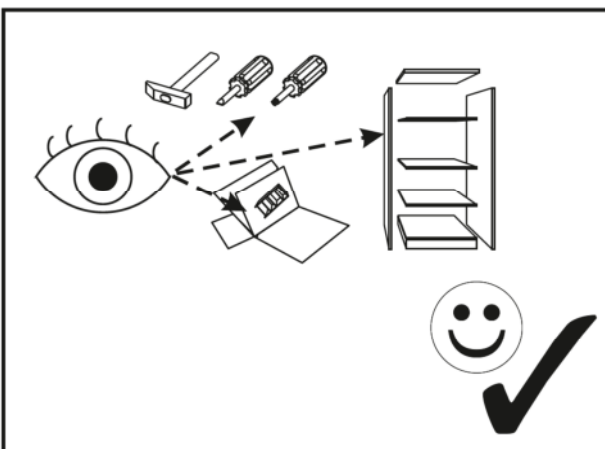
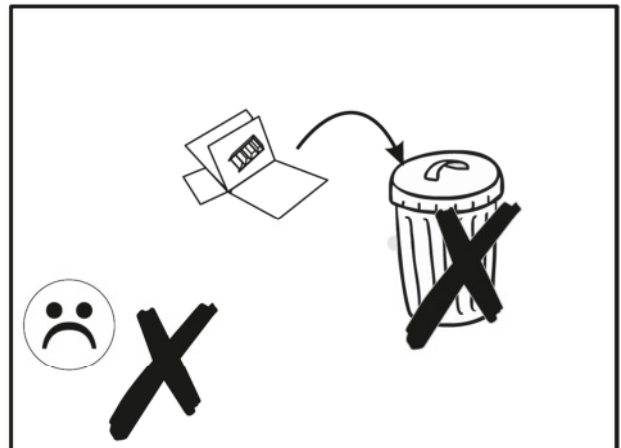
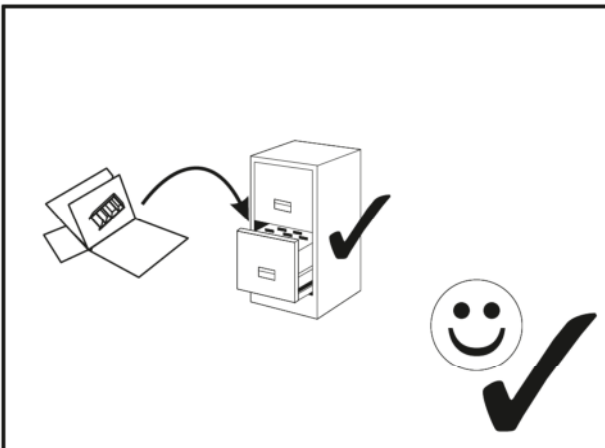
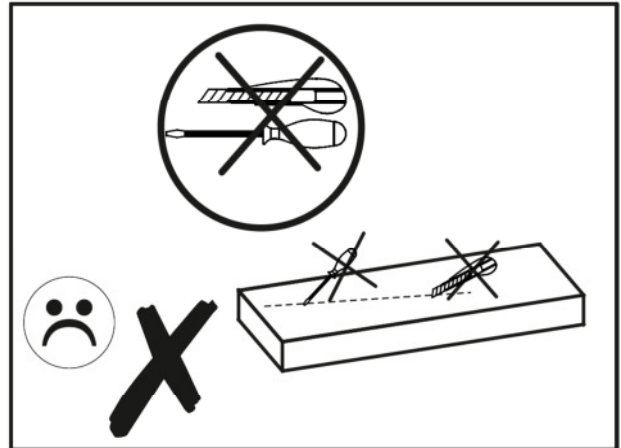
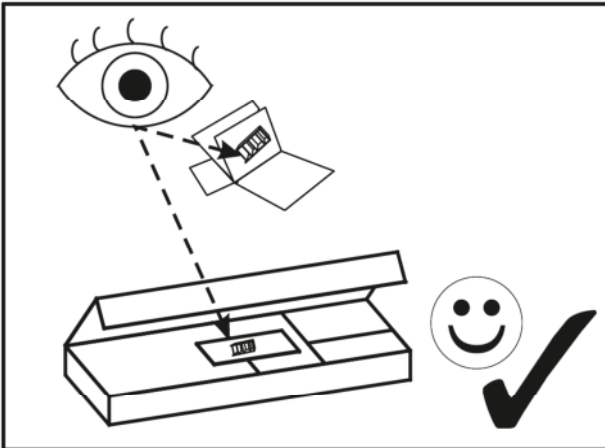


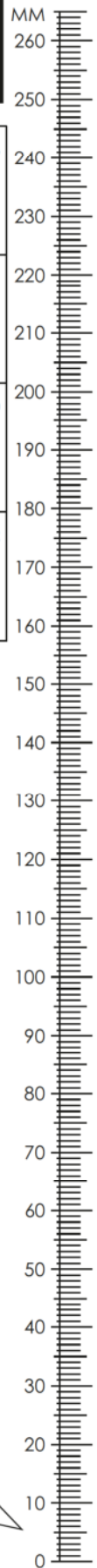
ARIANA xxx-548








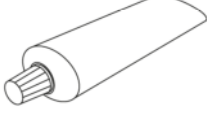


HELA Tische Möbel Vertriebs GmbH
Scheidkamp 14
D - 32584 Löhne

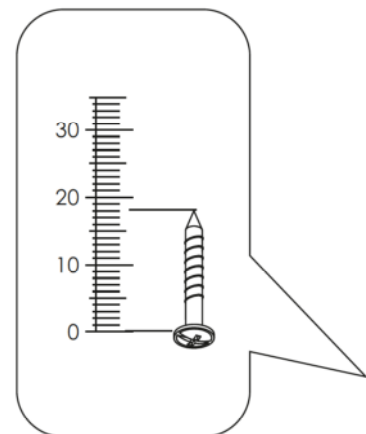




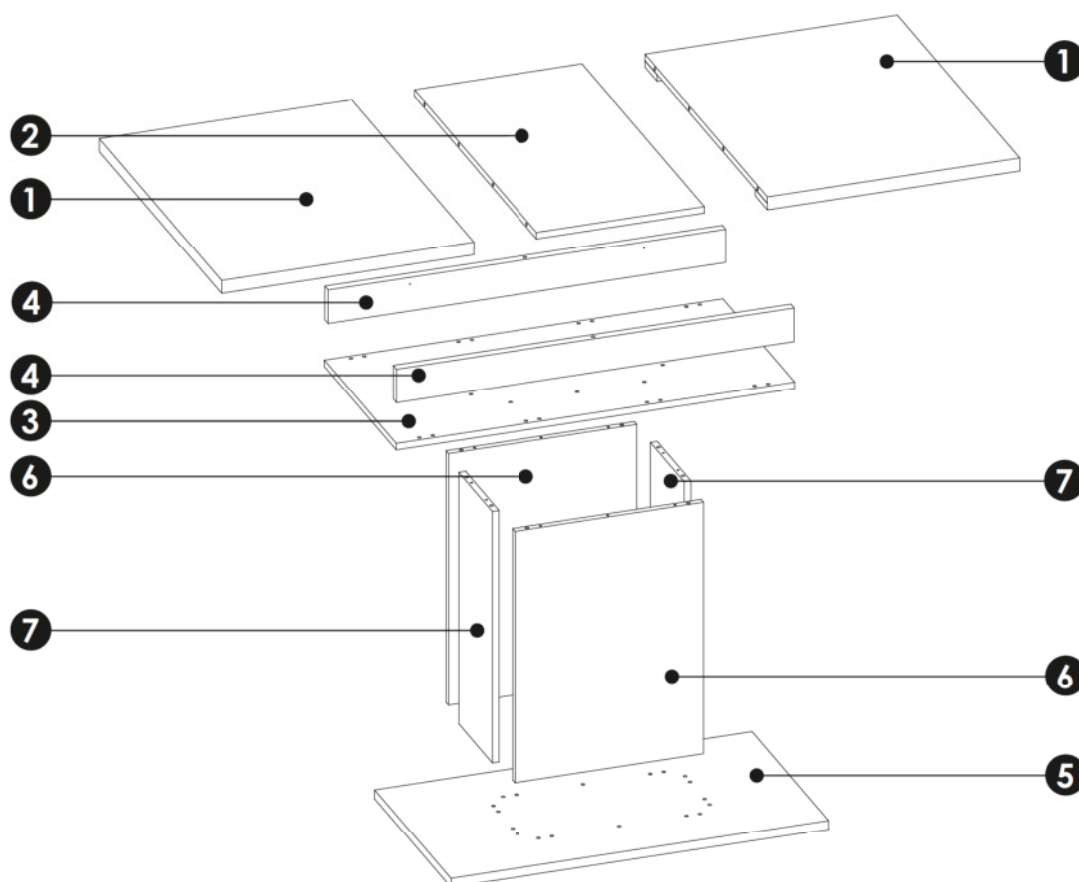
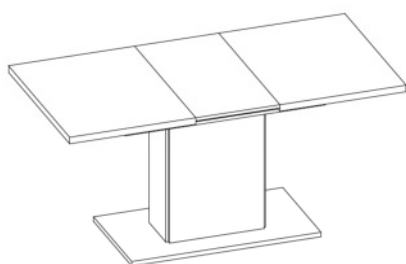
ARIANA xxx-548



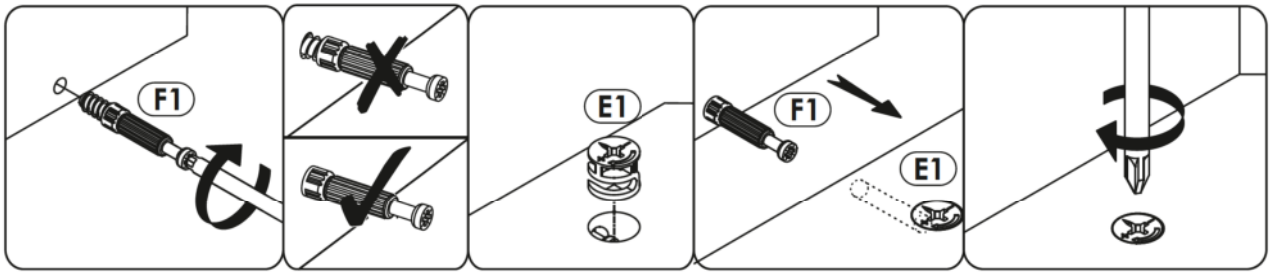
A1	8 x 35 mm	x24	G0		x18	G2	7 x 60 mm	x28
I3			I4	4 x 12 mm	x24	M		x1
I3	4 x 20 mm	x12	O2		x6	O2A	ø20	x8
O2			R8		x8	R8		x10
S		x1	S19		x4	T12		x2



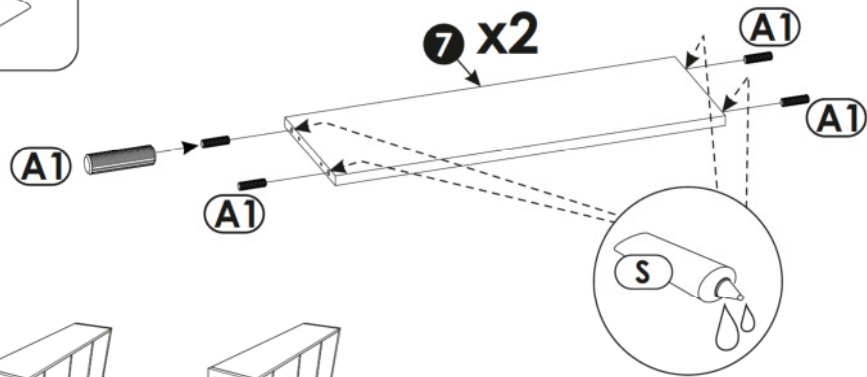
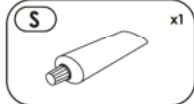
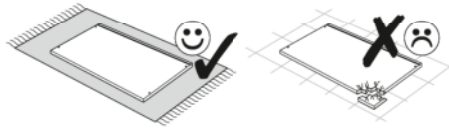
ARIANA xxx-548



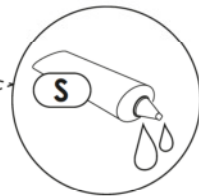
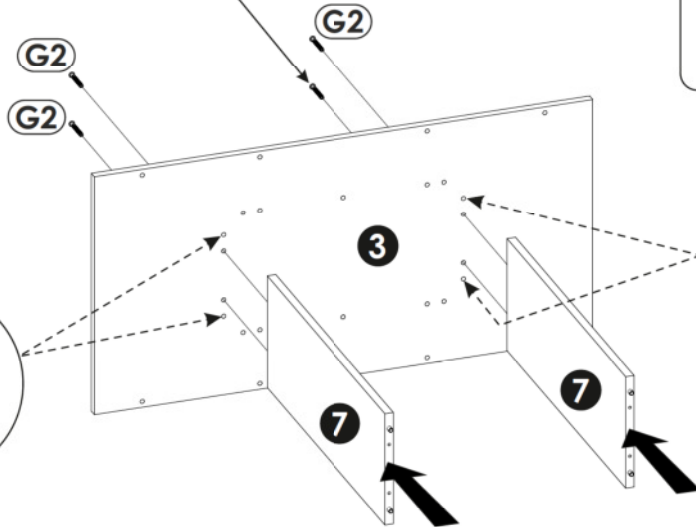
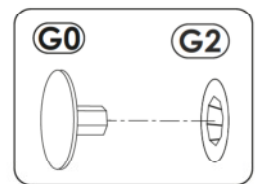
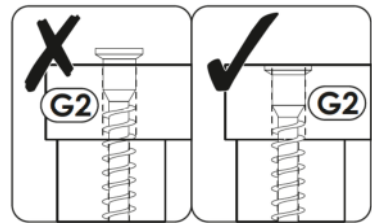
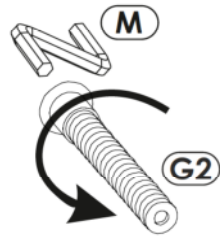
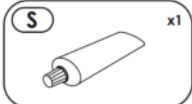
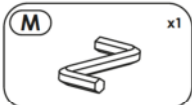
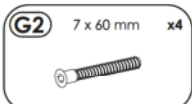
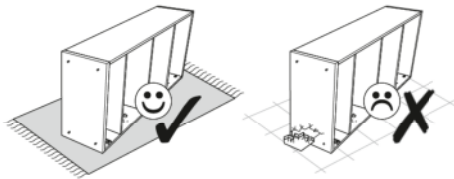
1	800	600	32	x2	2/2
2	800	400	16	x1	2/2
3	470	950	16	x1	1/2
4	83	948	22	x2	1/2
5	900	500	22	x1	1/2
6	620	450	16	x2	1/2
7	620	220	16	x2	1/2



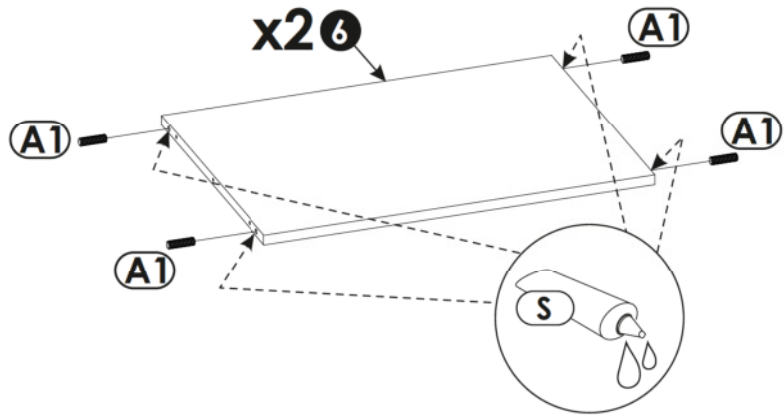
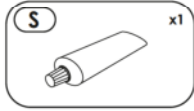
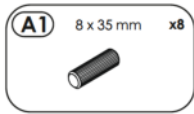
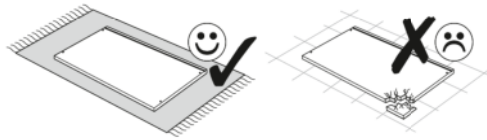
1 ▶



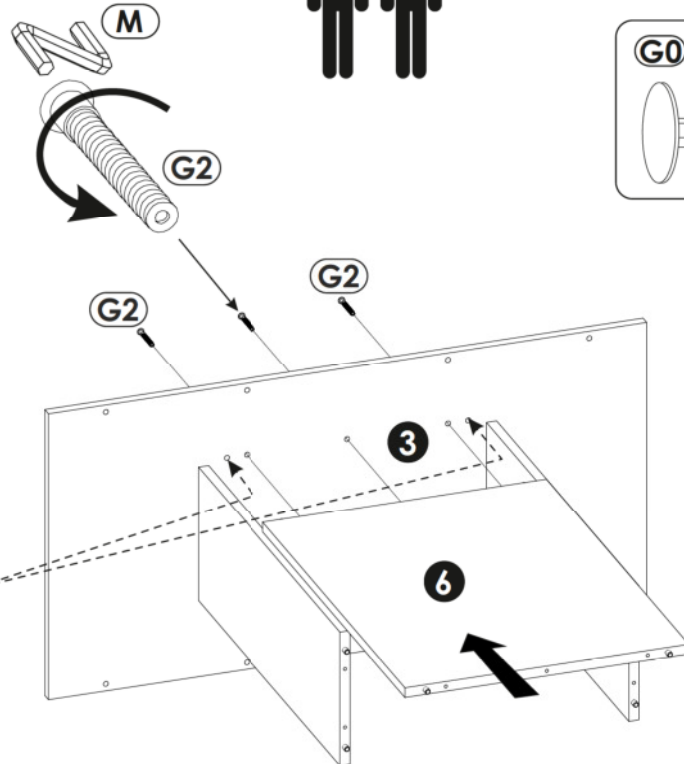
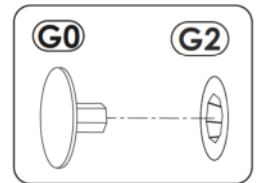
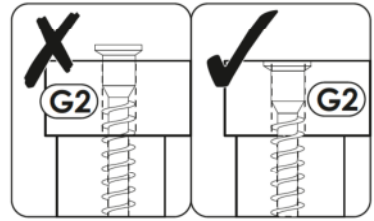
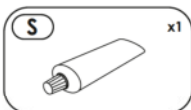
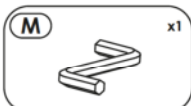
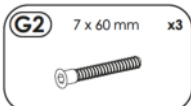
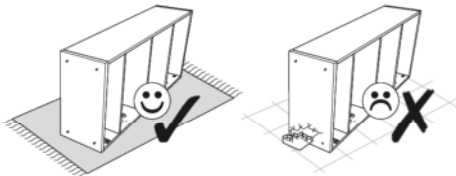
2 ▶



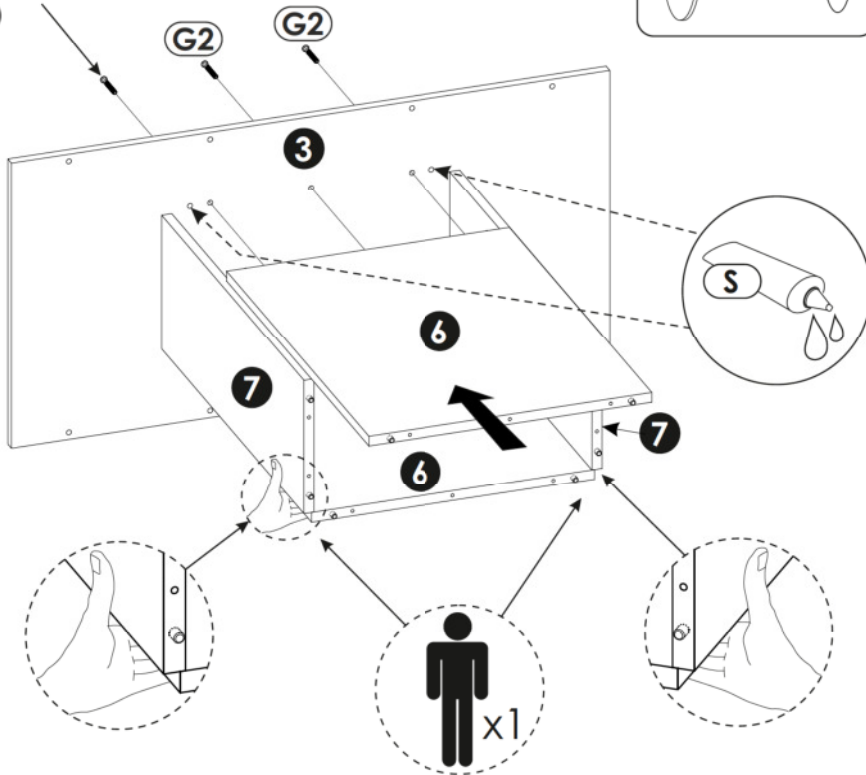
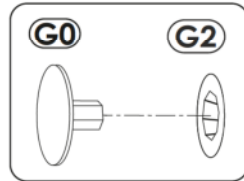
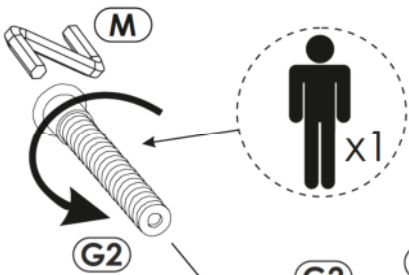
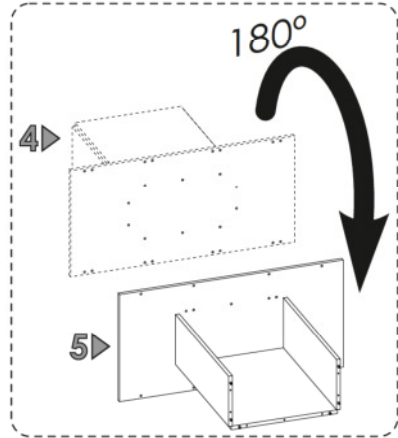
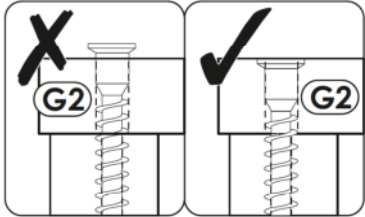
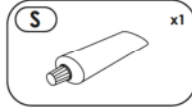
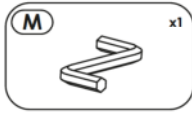
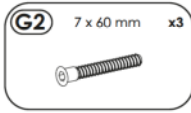
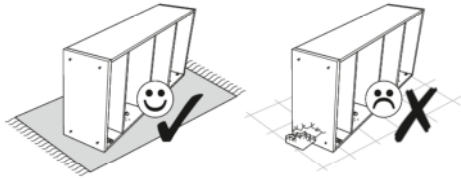
3 ▶



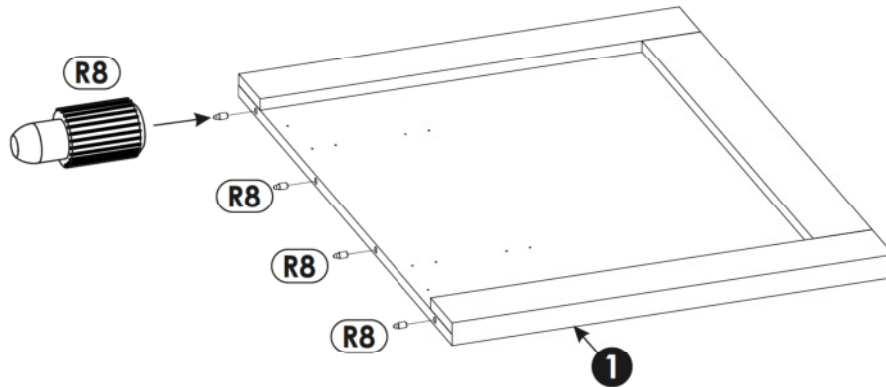
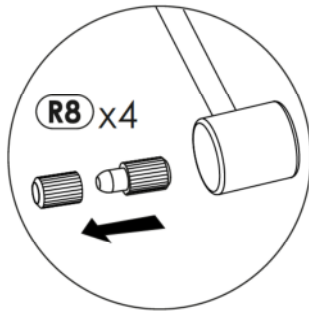
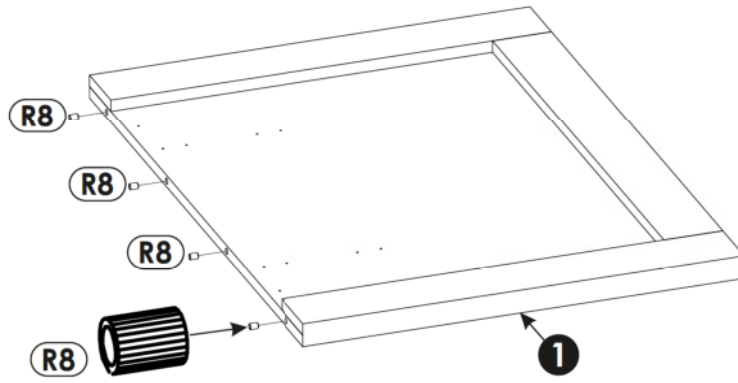
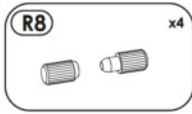
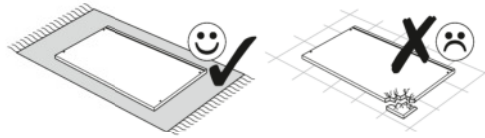
4 ▶



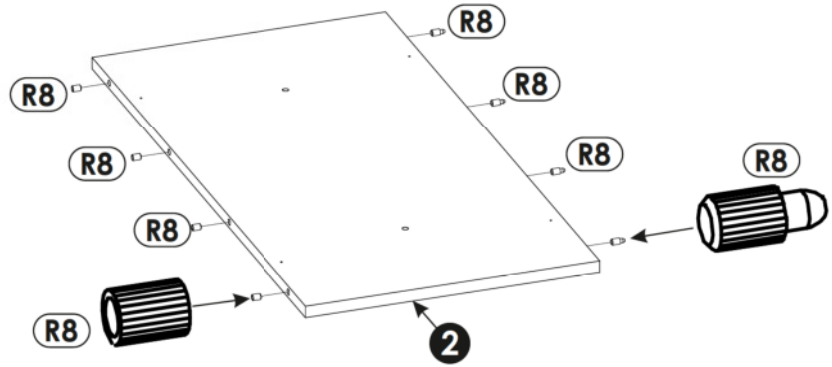
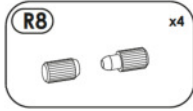
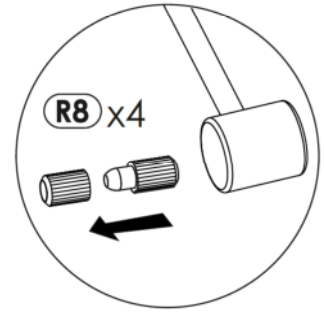
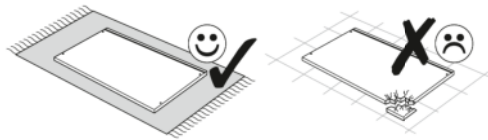
5 ▶



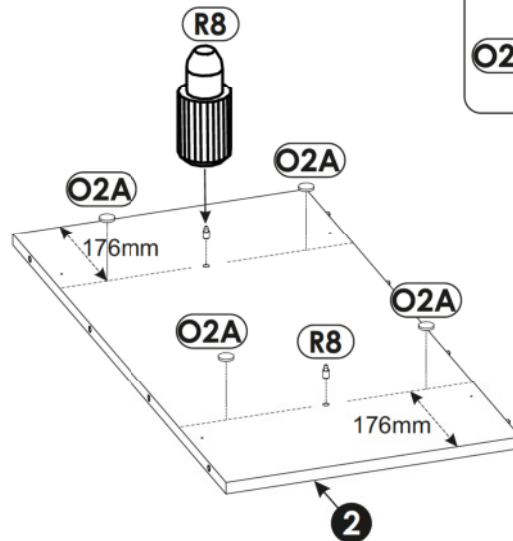
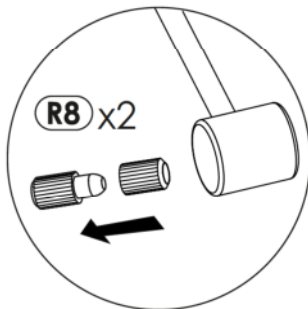
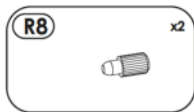
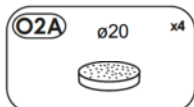
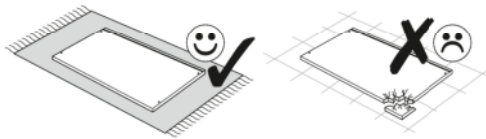
6▶



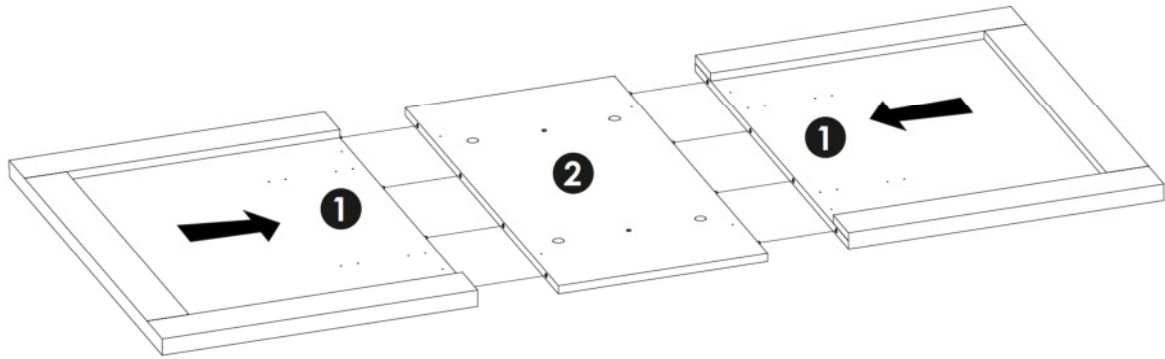
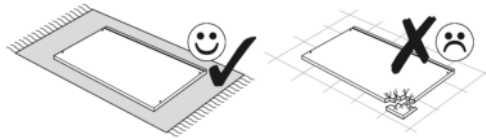
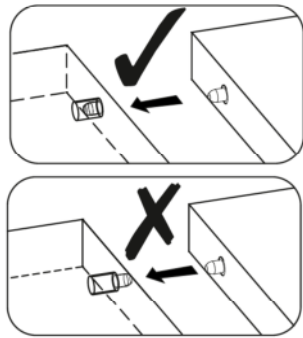
7 ▶



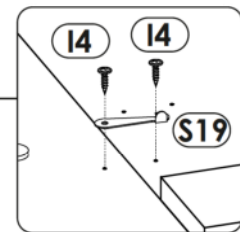
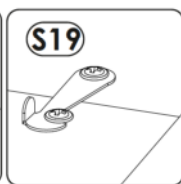
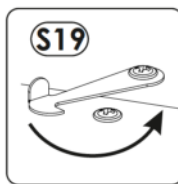
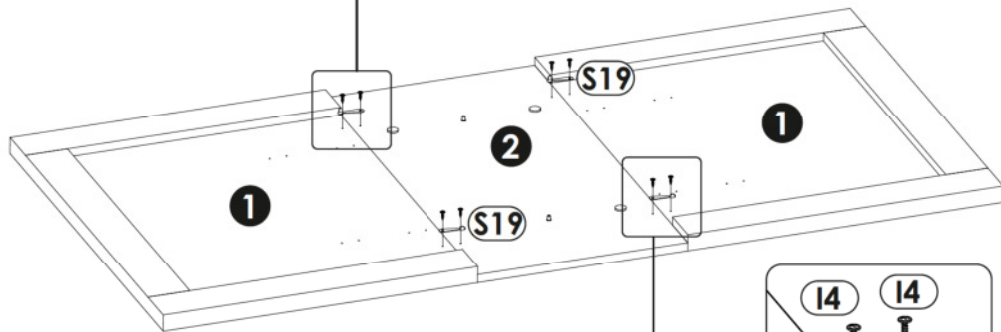
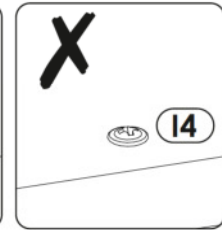
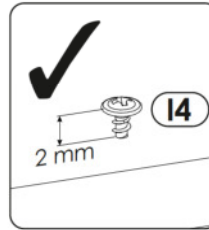
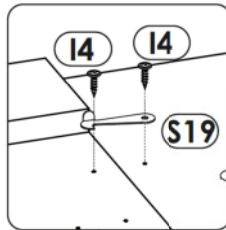
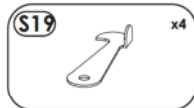
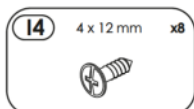
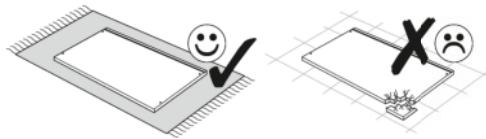
8 ▶



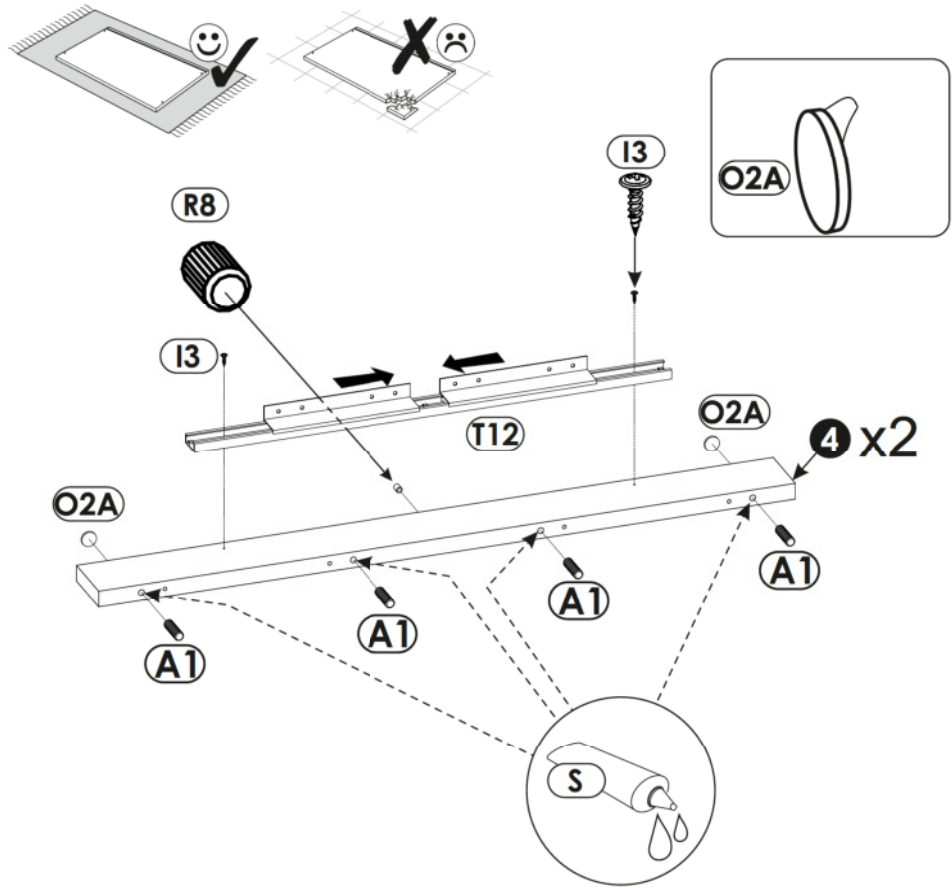
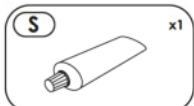
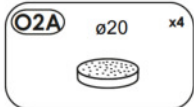
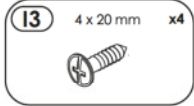
9 ▶



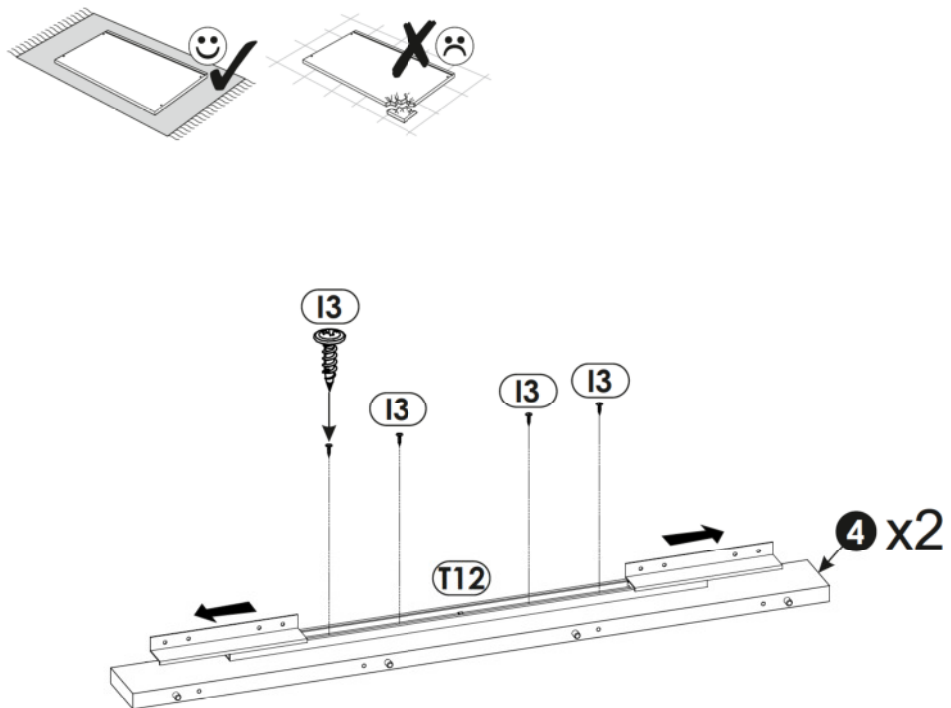
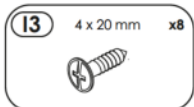
10 ▶



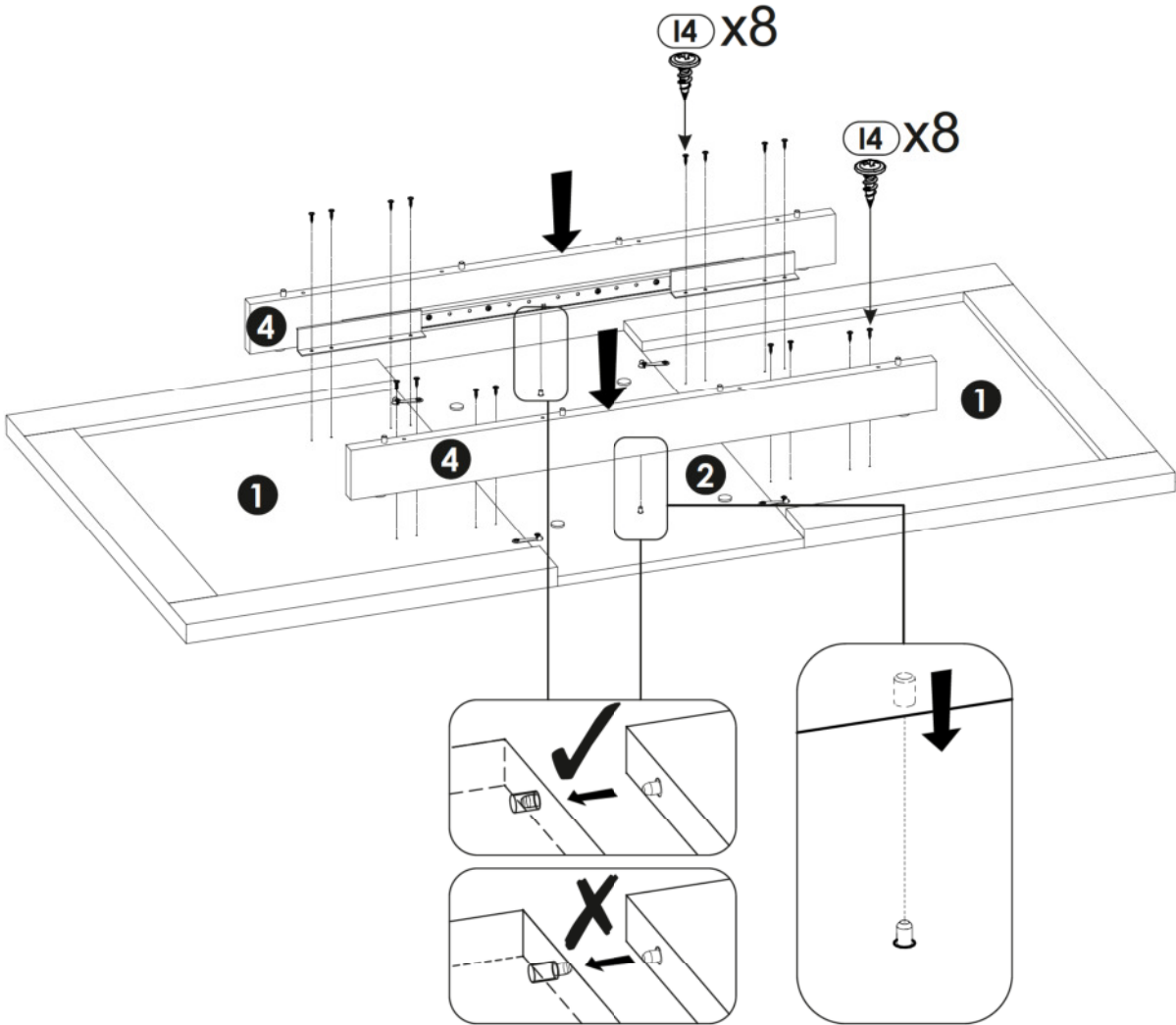
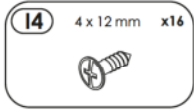
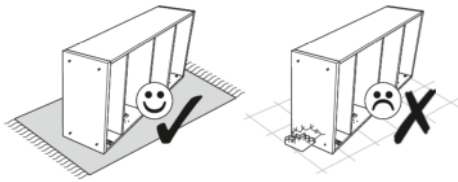
11 ▶



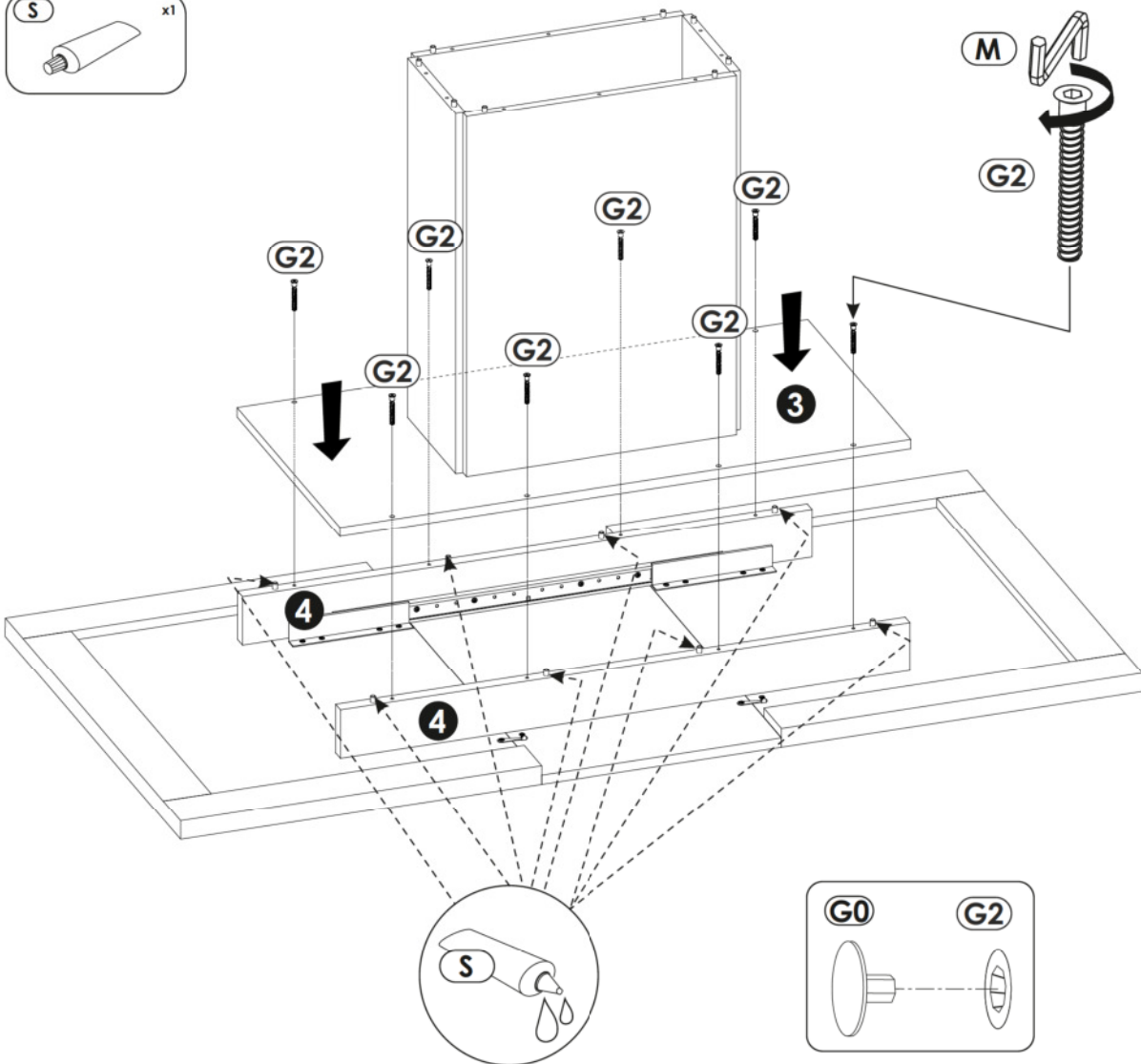
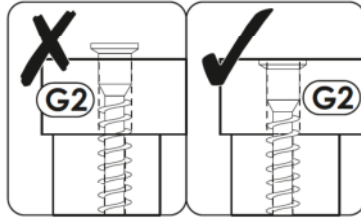
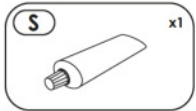
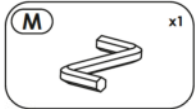
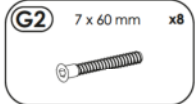
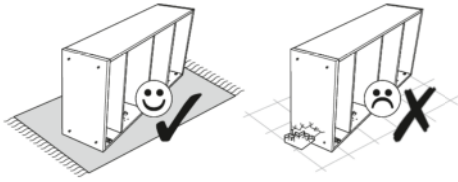
12 ▶



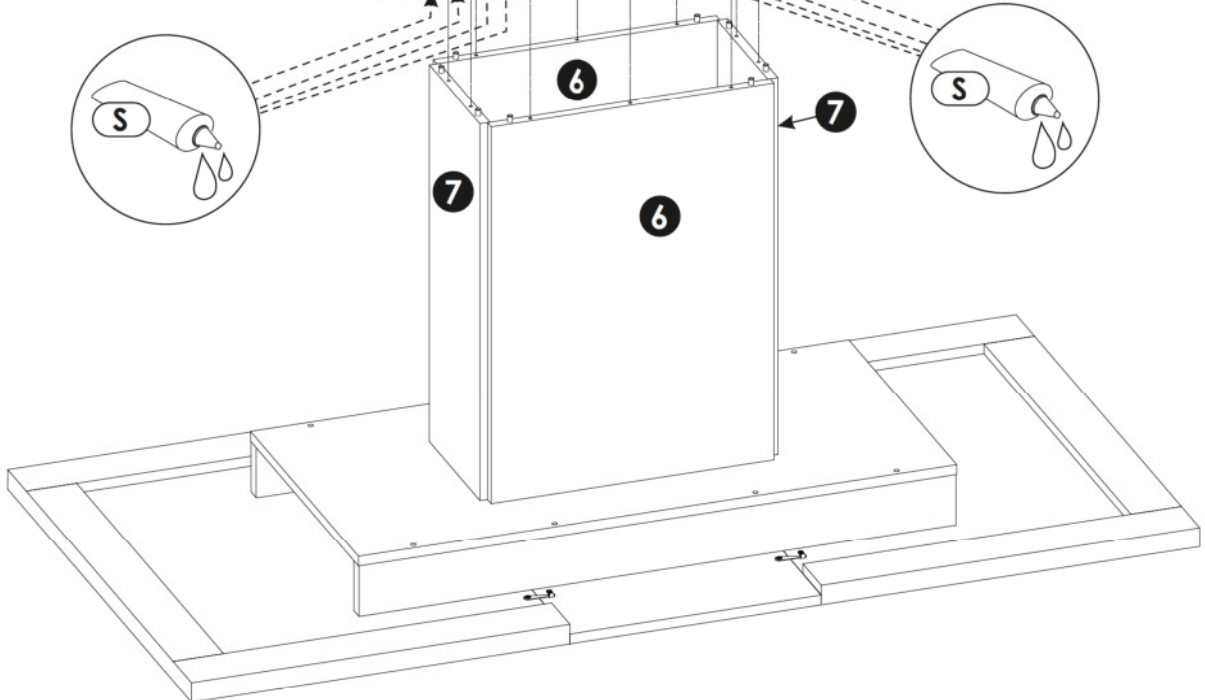
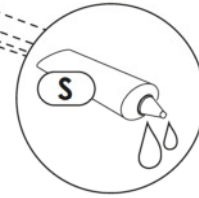
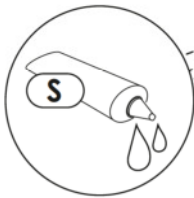
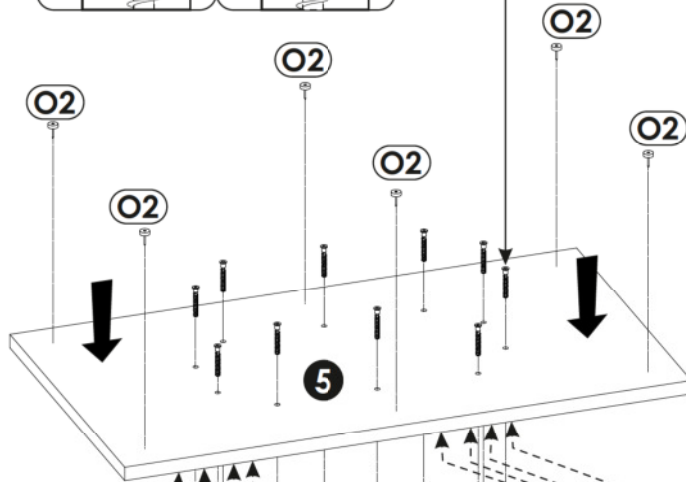
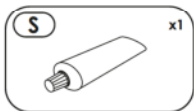
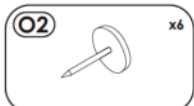
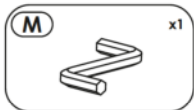
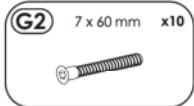
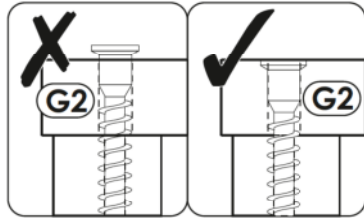
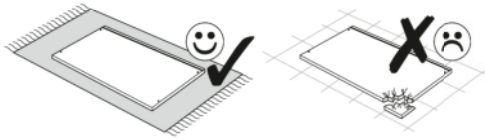
13 ▶



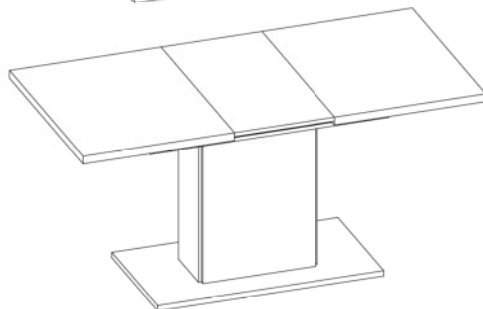
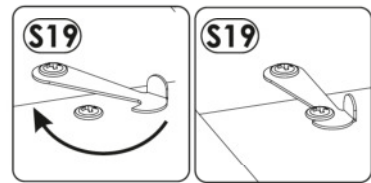
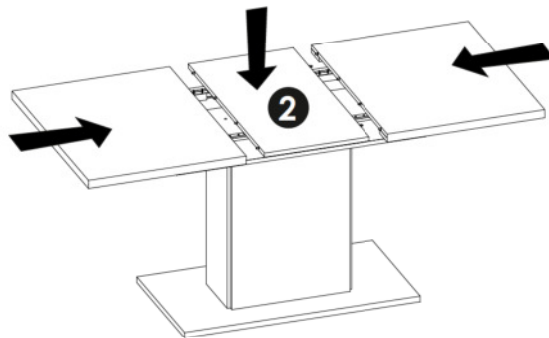
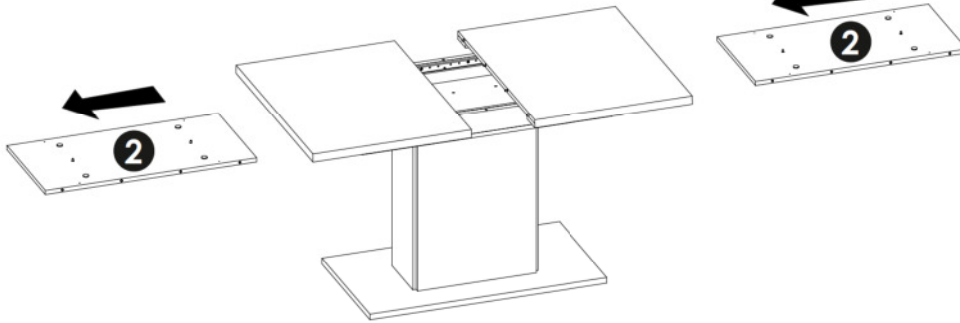
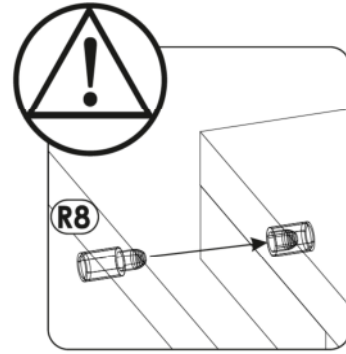
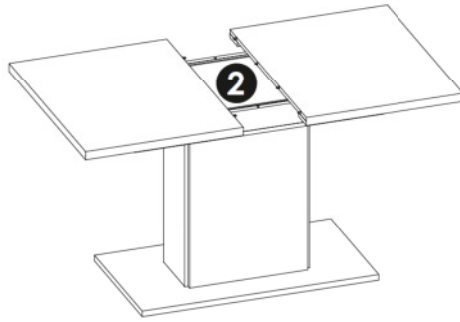
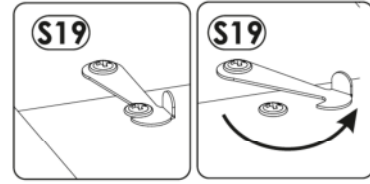
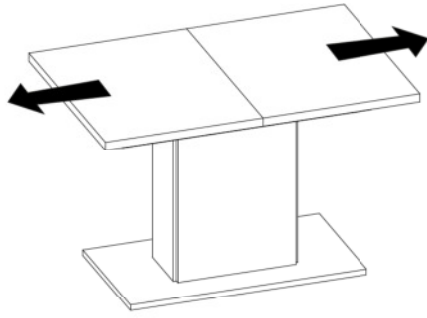
14▶



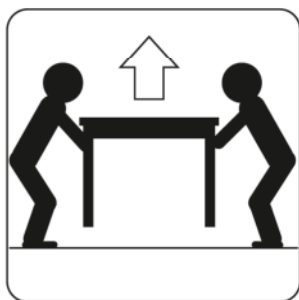
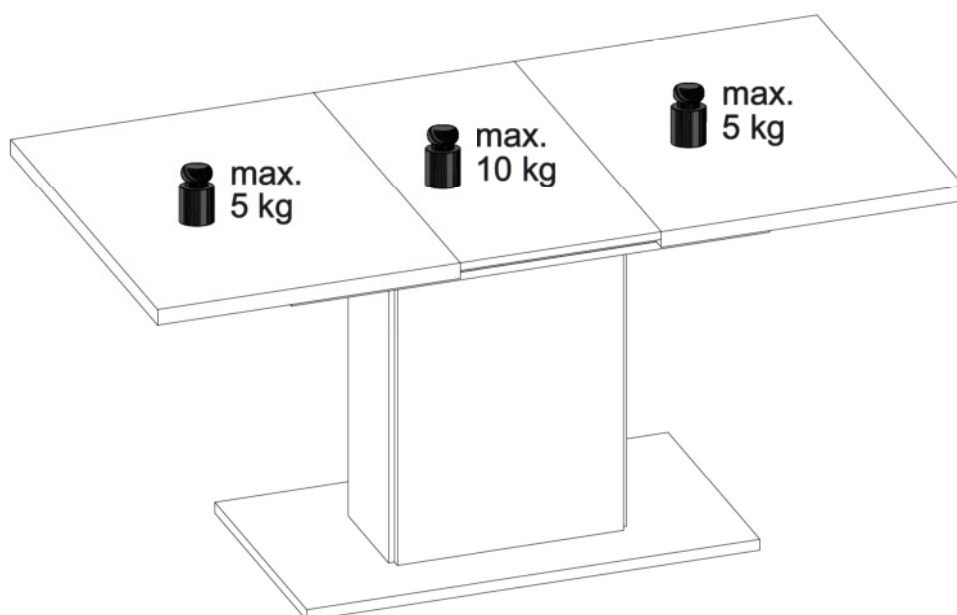
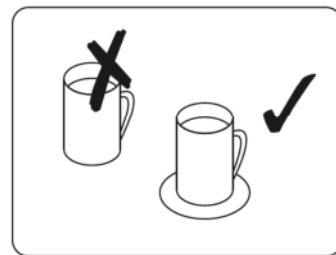
15 ▶

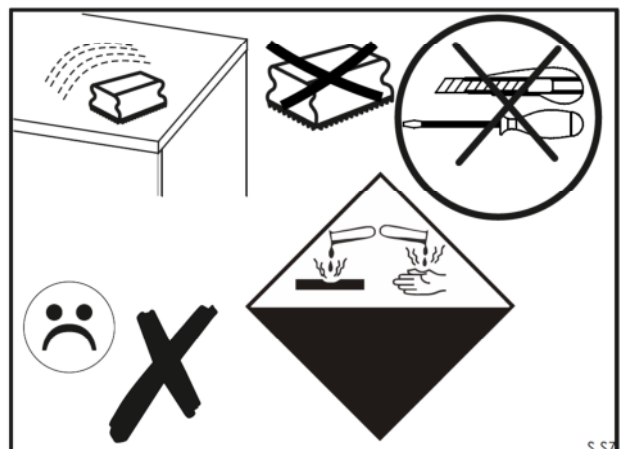
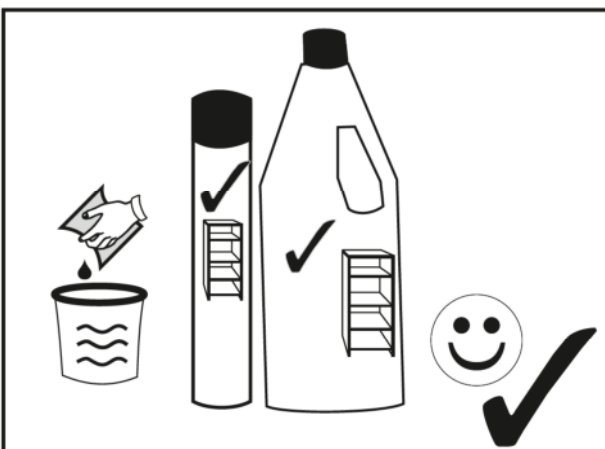
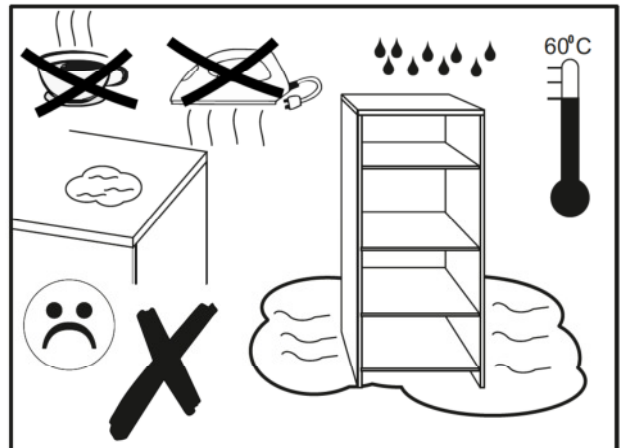
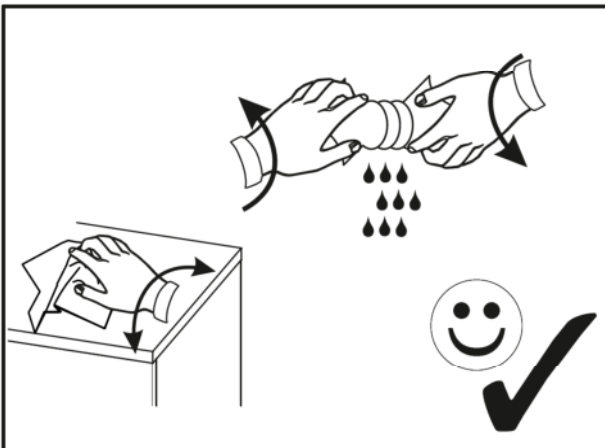
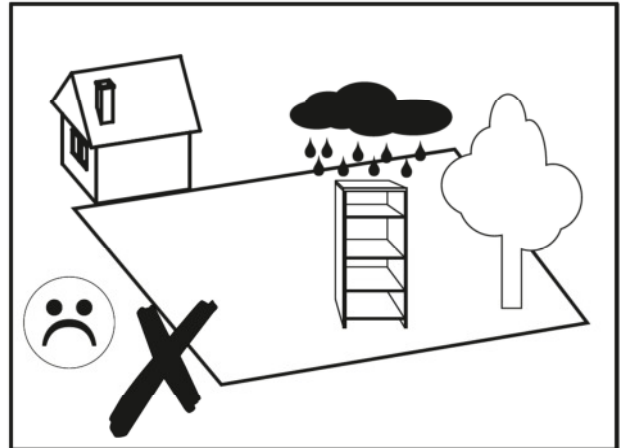
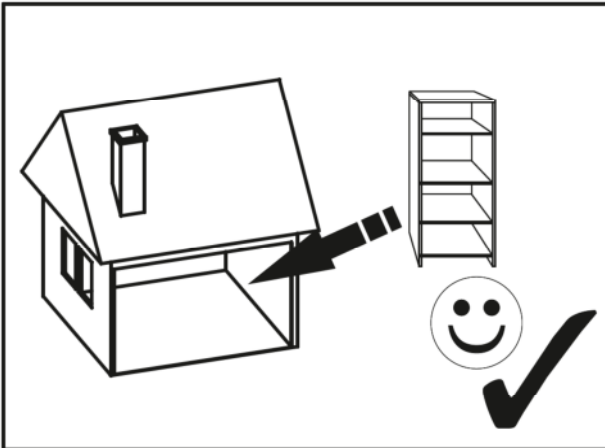


16▶

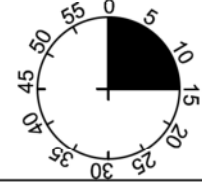
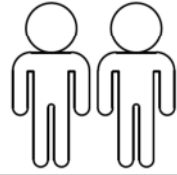
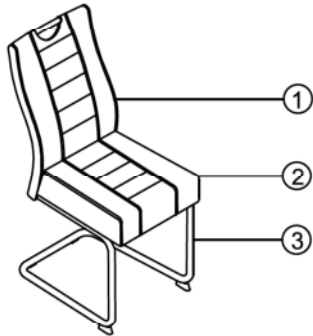


17▶





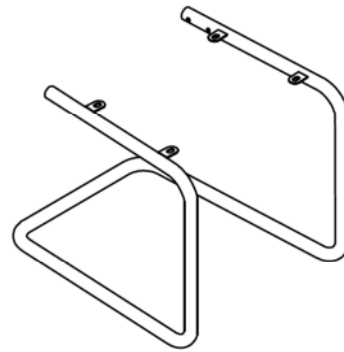
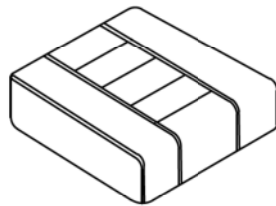
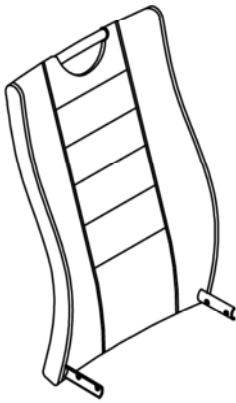
Erika



1

2

3

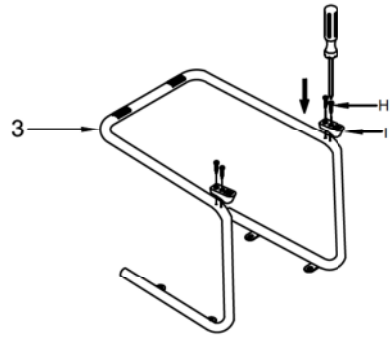


1	1x
2	1x
3	1x

A	M6x20	B	M8x20	C	Ø18xØ8x1.5	D	Ø18xØ6x1.5	E	M8	F	4MM
	4x		4x		4x		4x		4x		1x
G	6MM	H	M4x20	I							
	1x		4x		2x						

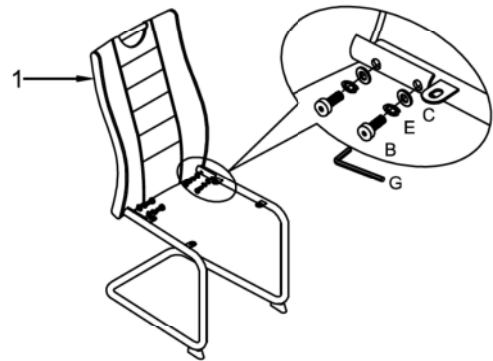
I.

1



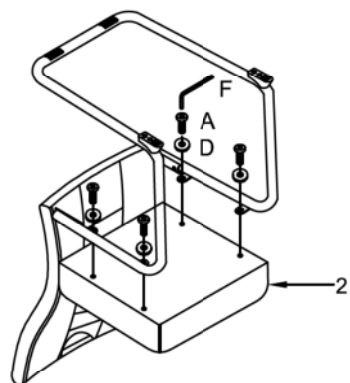
H	M4x20		4x
I			2x

2



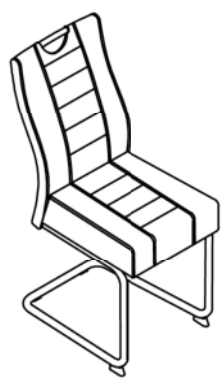
B	M8x20		4x
C	Ø18xØ8x1.5		4x
E	M8		4x
G	6MM		1x

3



A	M6x20		4x
D	Ø18xØ6x1.5		4x
F	4MM		1x

4



F	4MM		1
G	6MM		1

