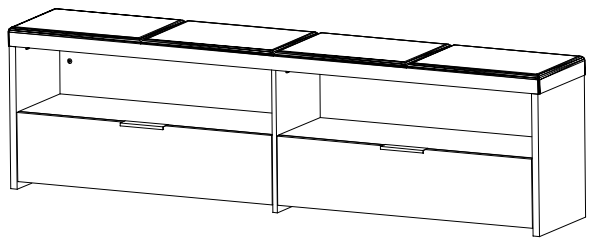
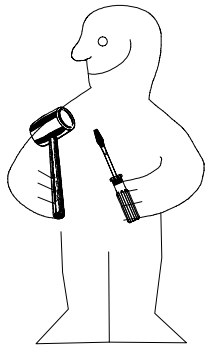
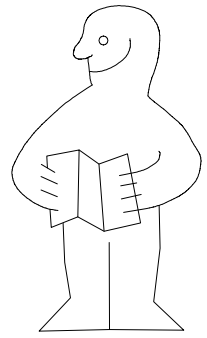
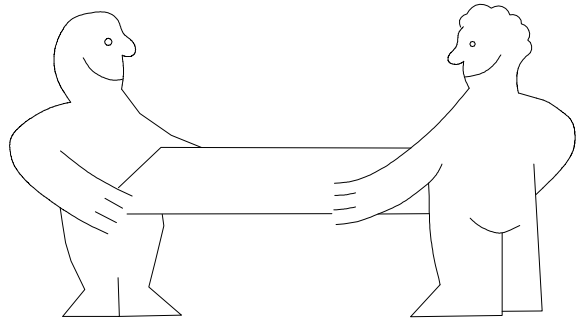
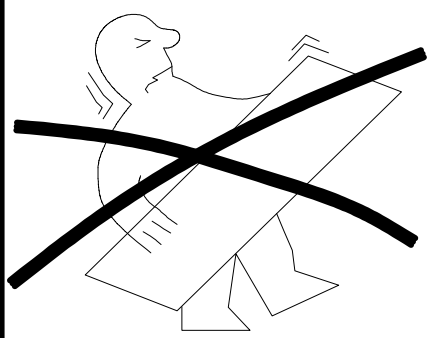


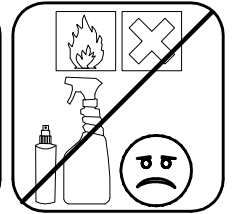
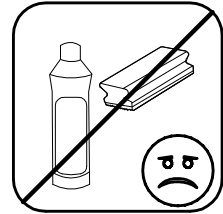
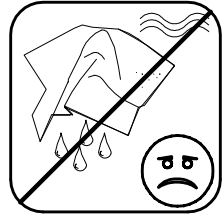
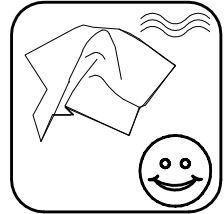
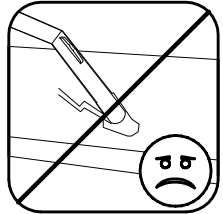
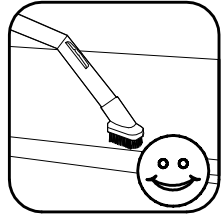
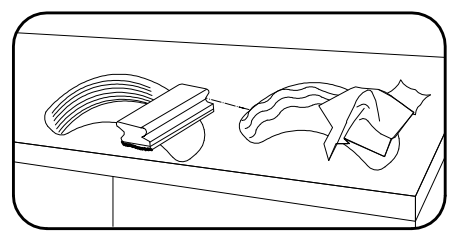
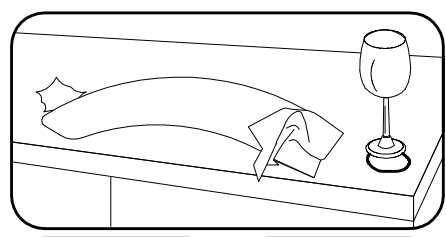
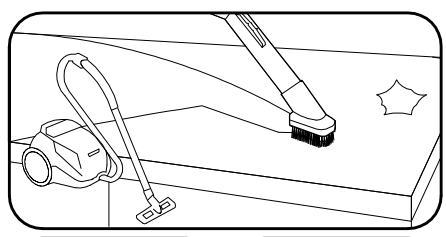
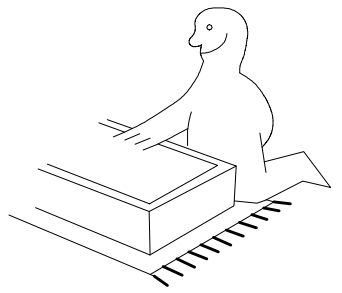
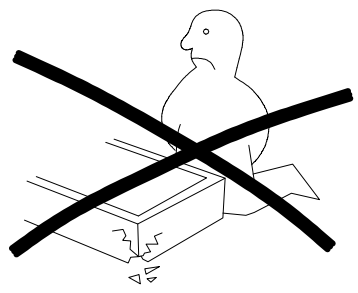
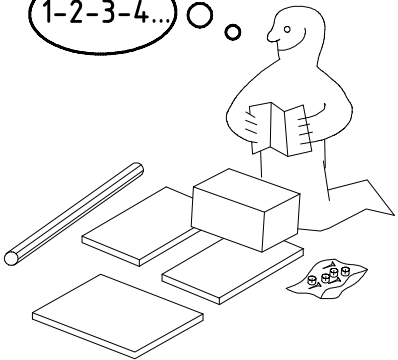
980113



721



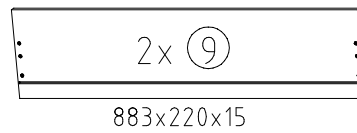
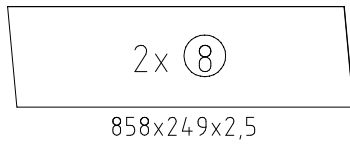
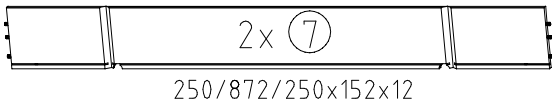
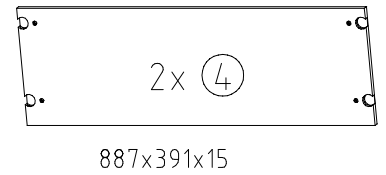
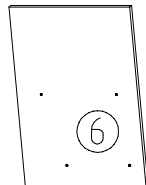
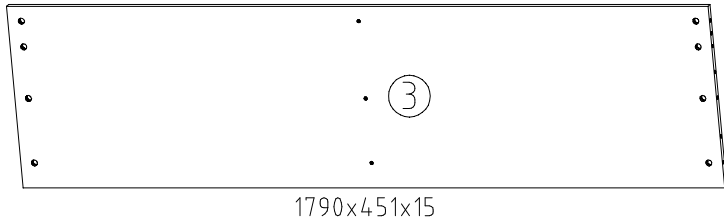
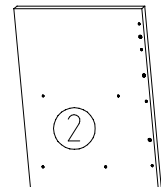
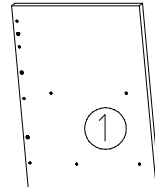
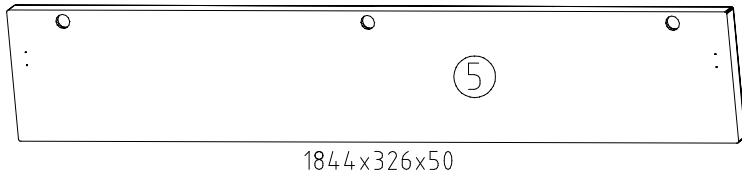
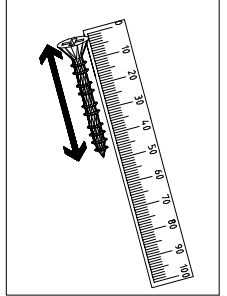
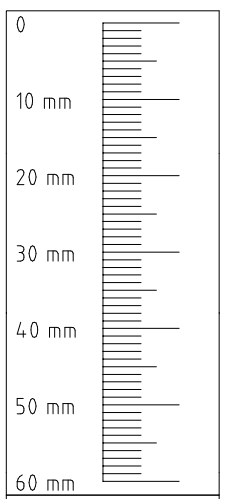
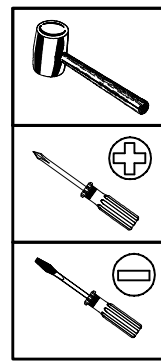
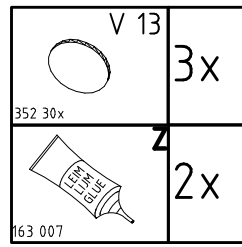
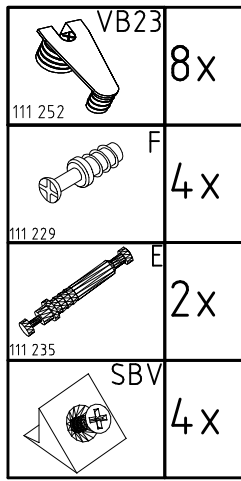
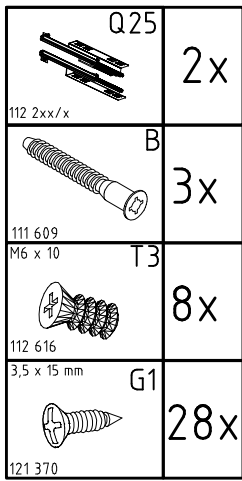
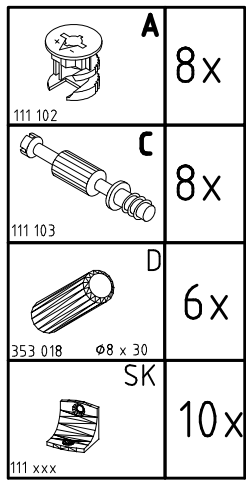
1-2-3-4...



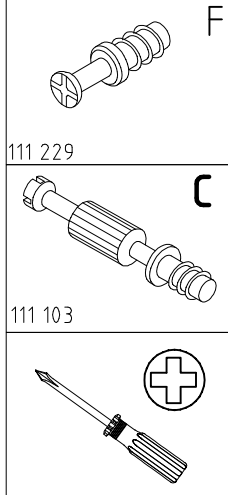
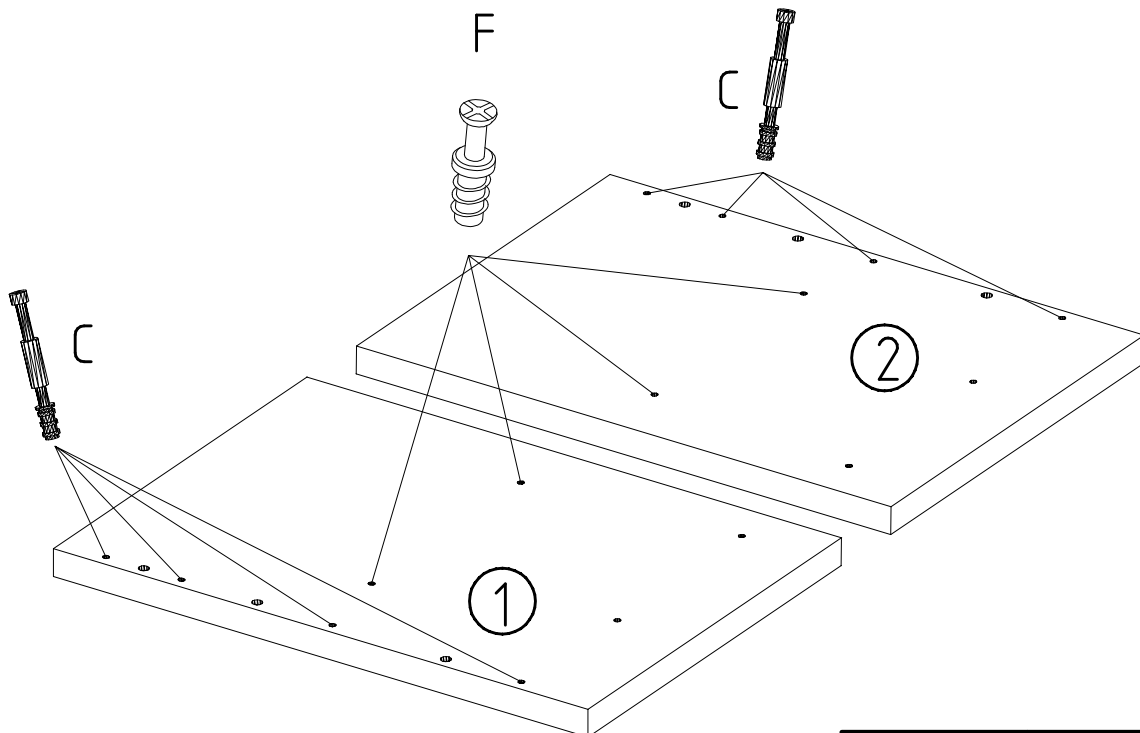
980113

23.06.16 / -

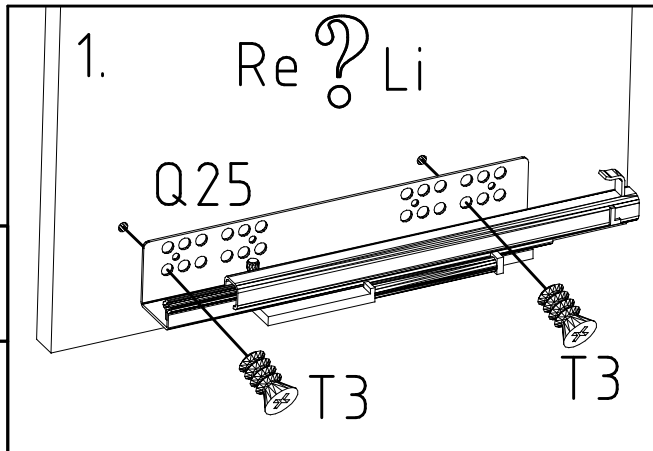
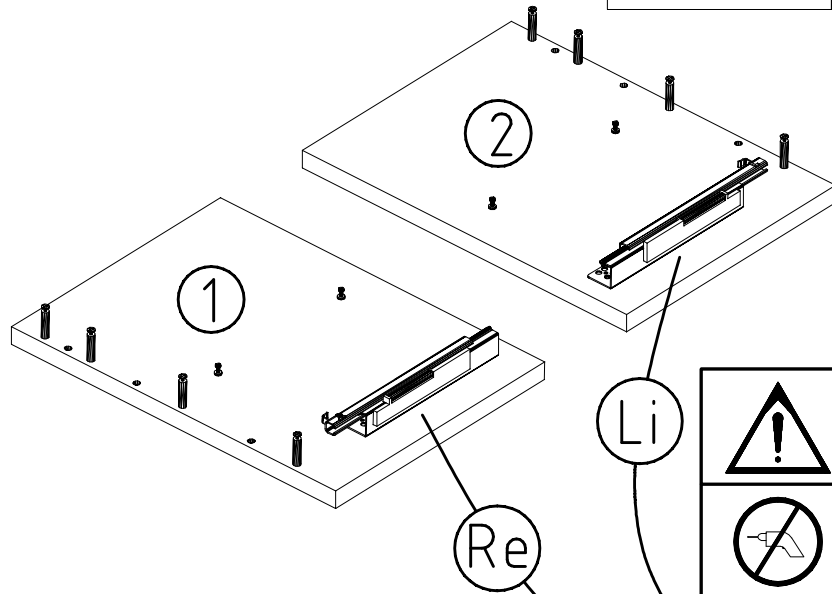
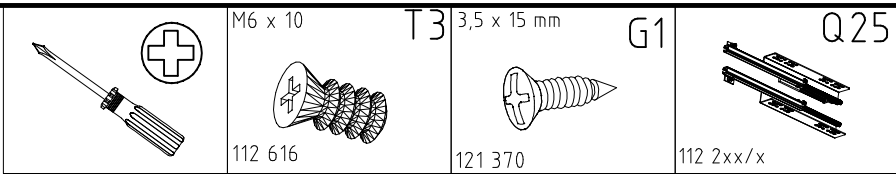
06 16 | 1/9



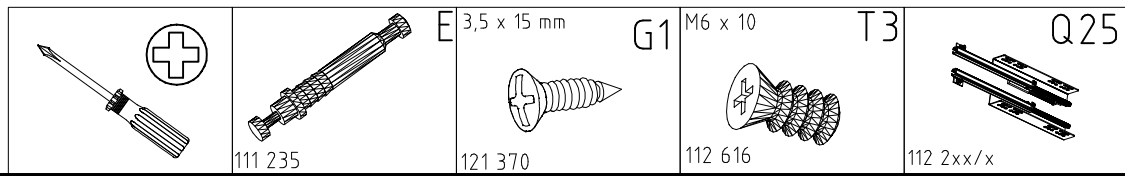
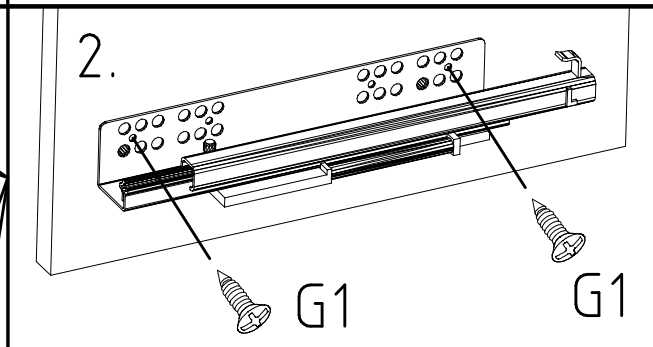
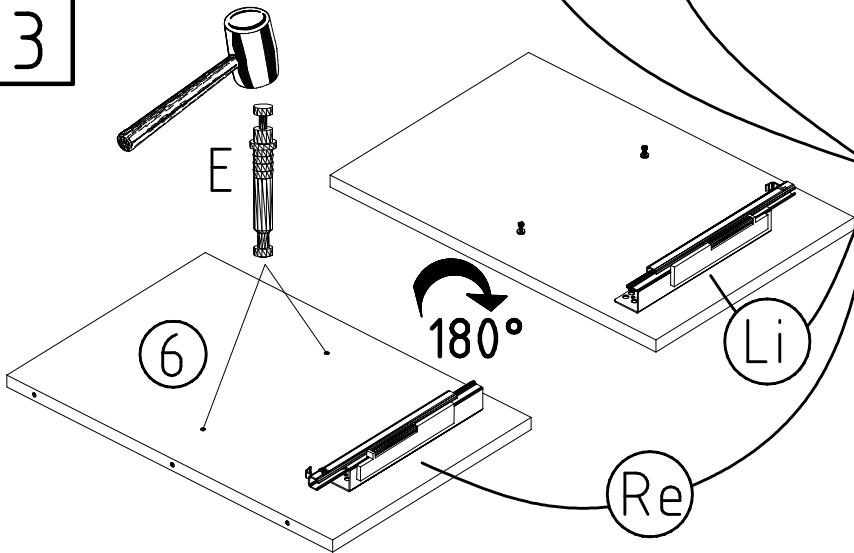
1



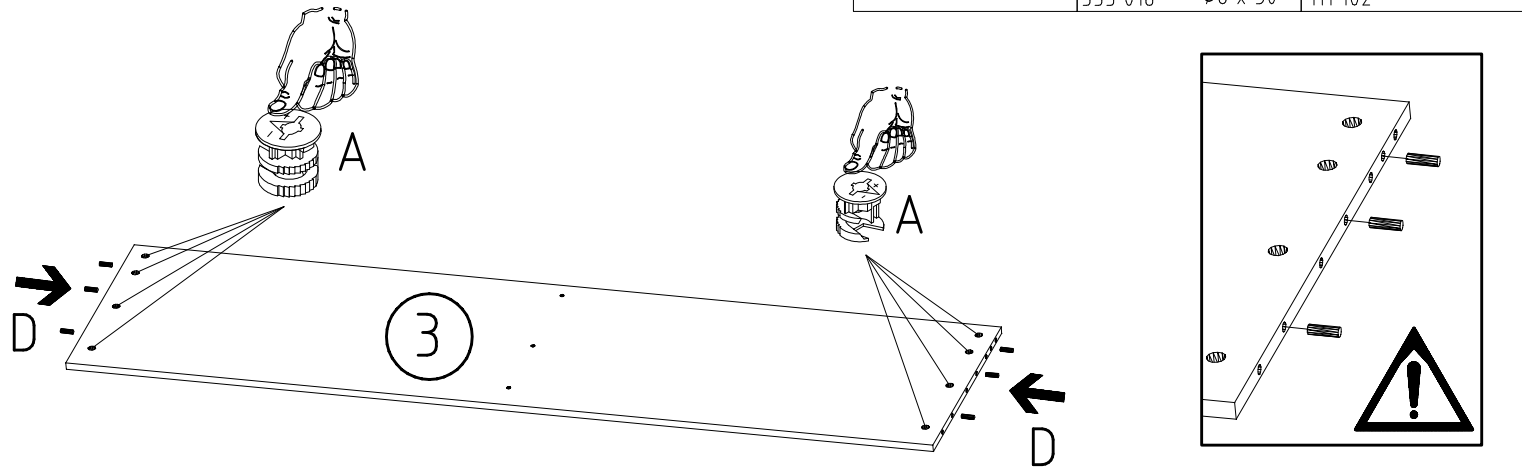
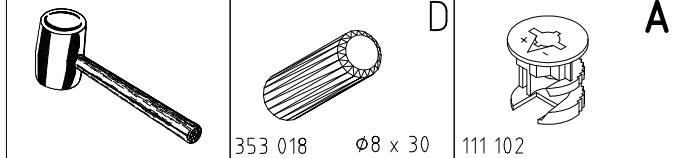
2



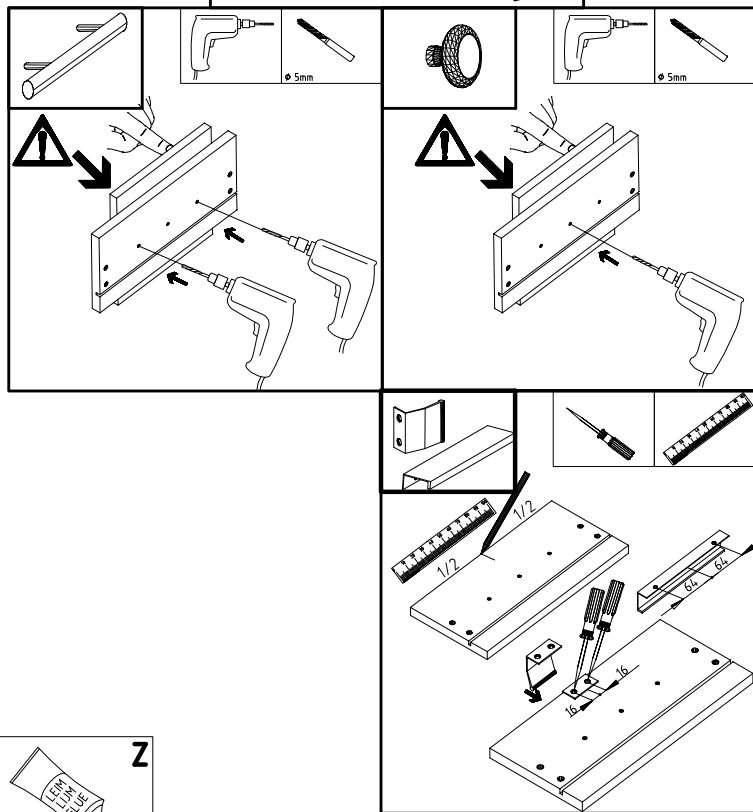
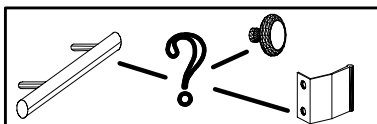
3



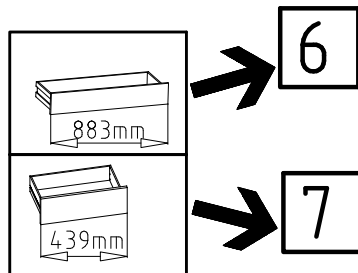
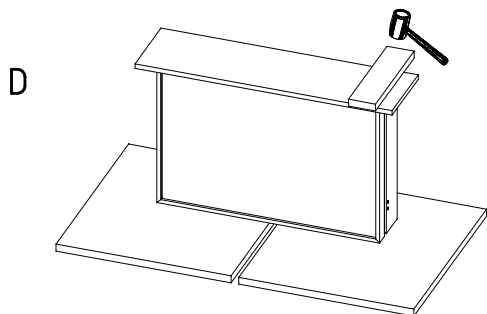
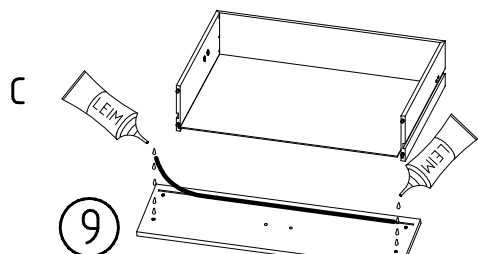
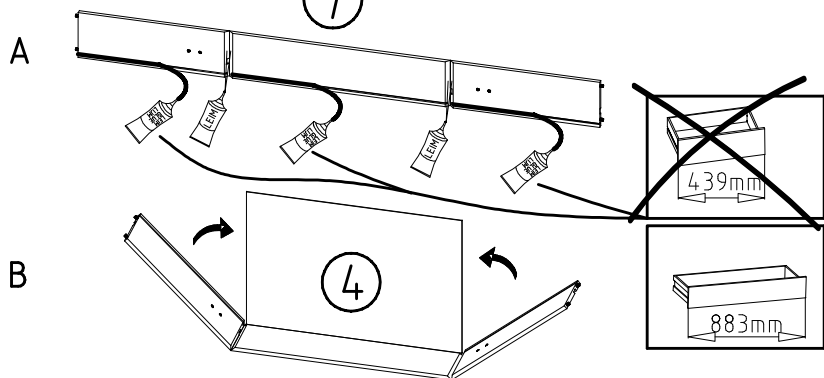
4



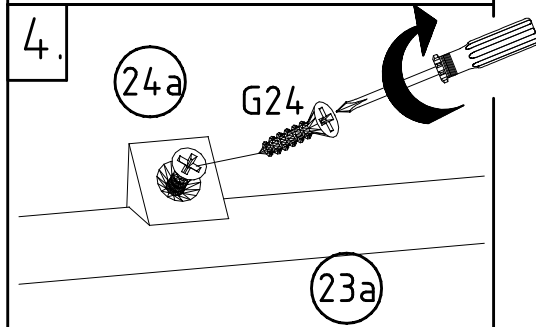
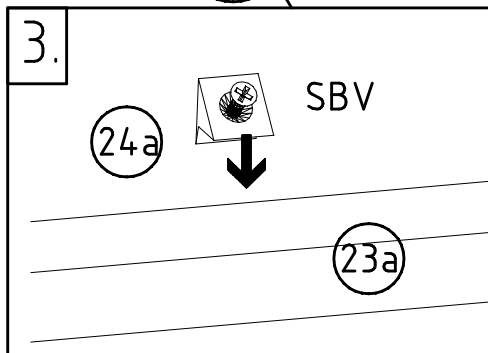
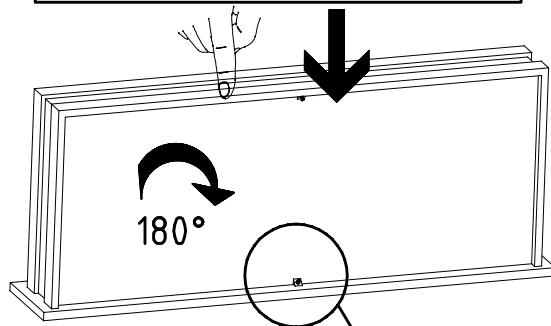
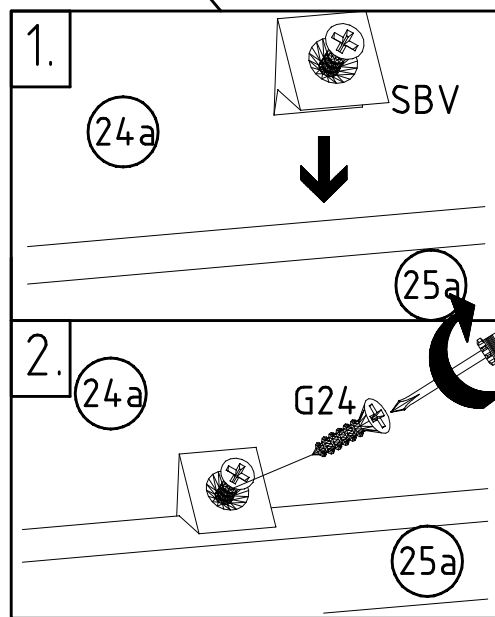
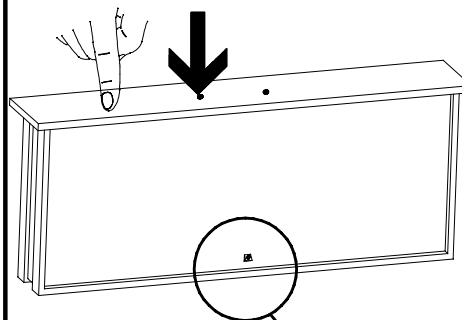
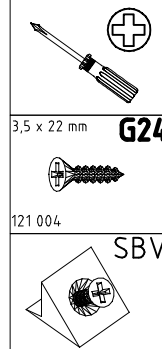
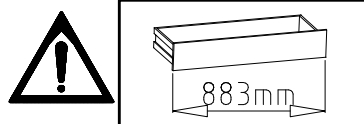
5

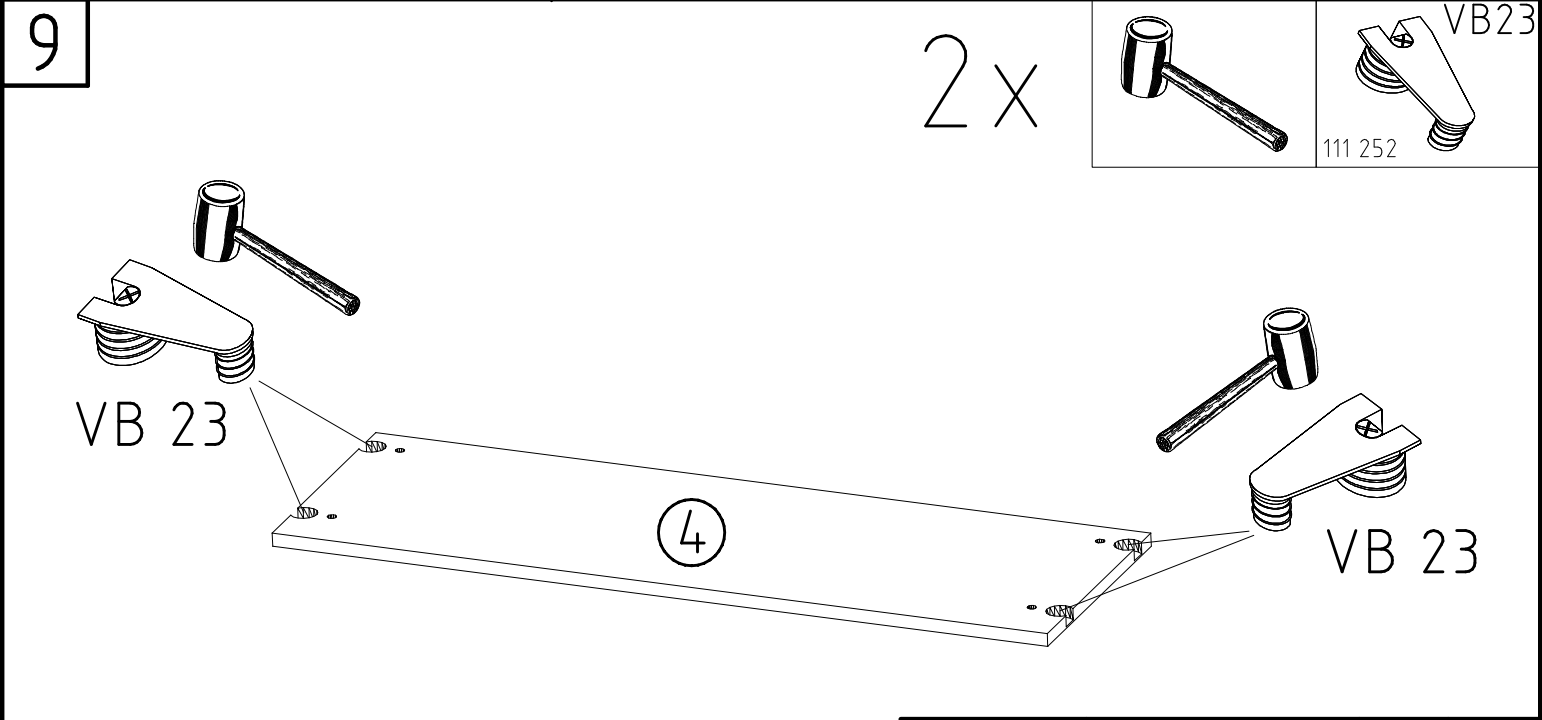
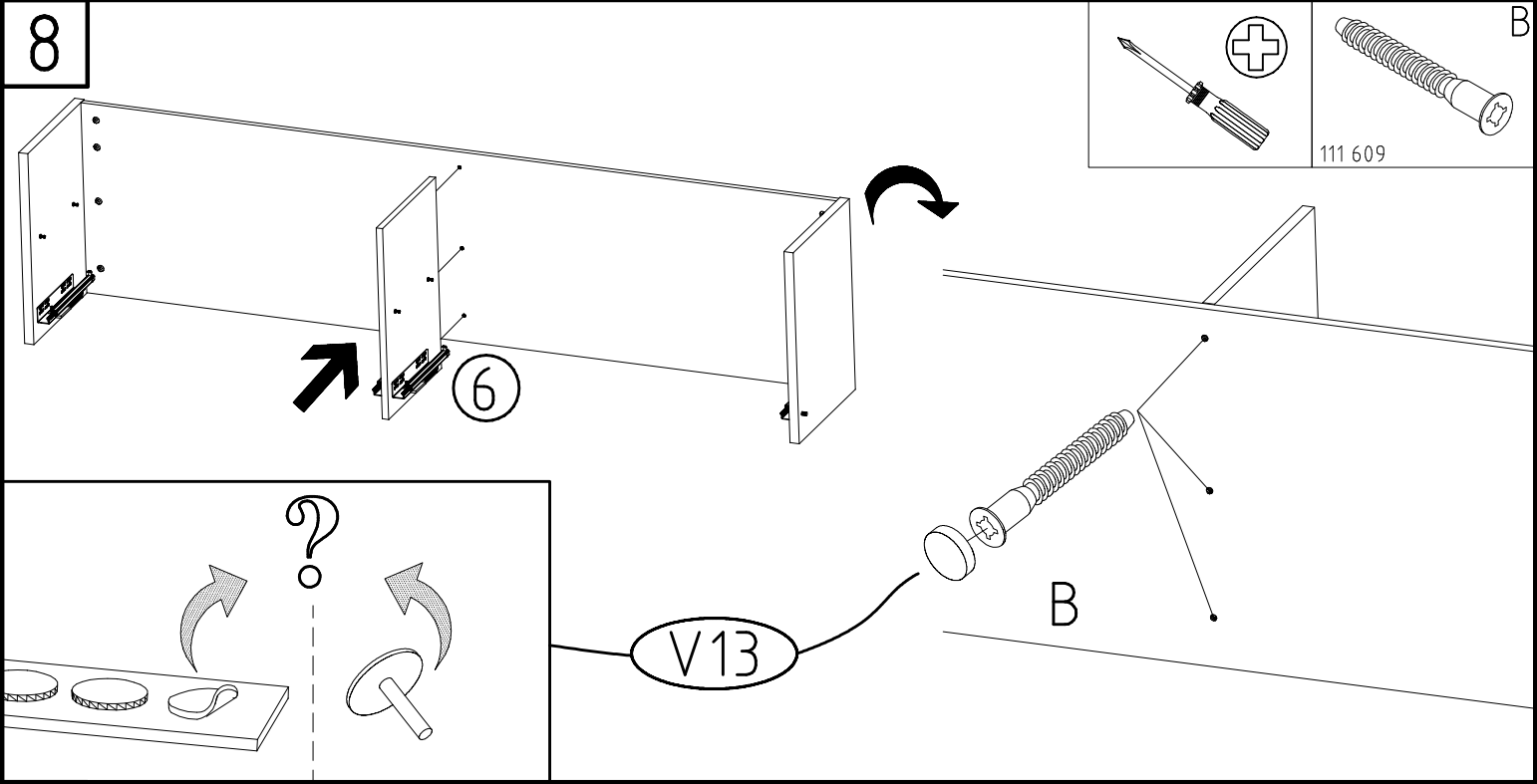
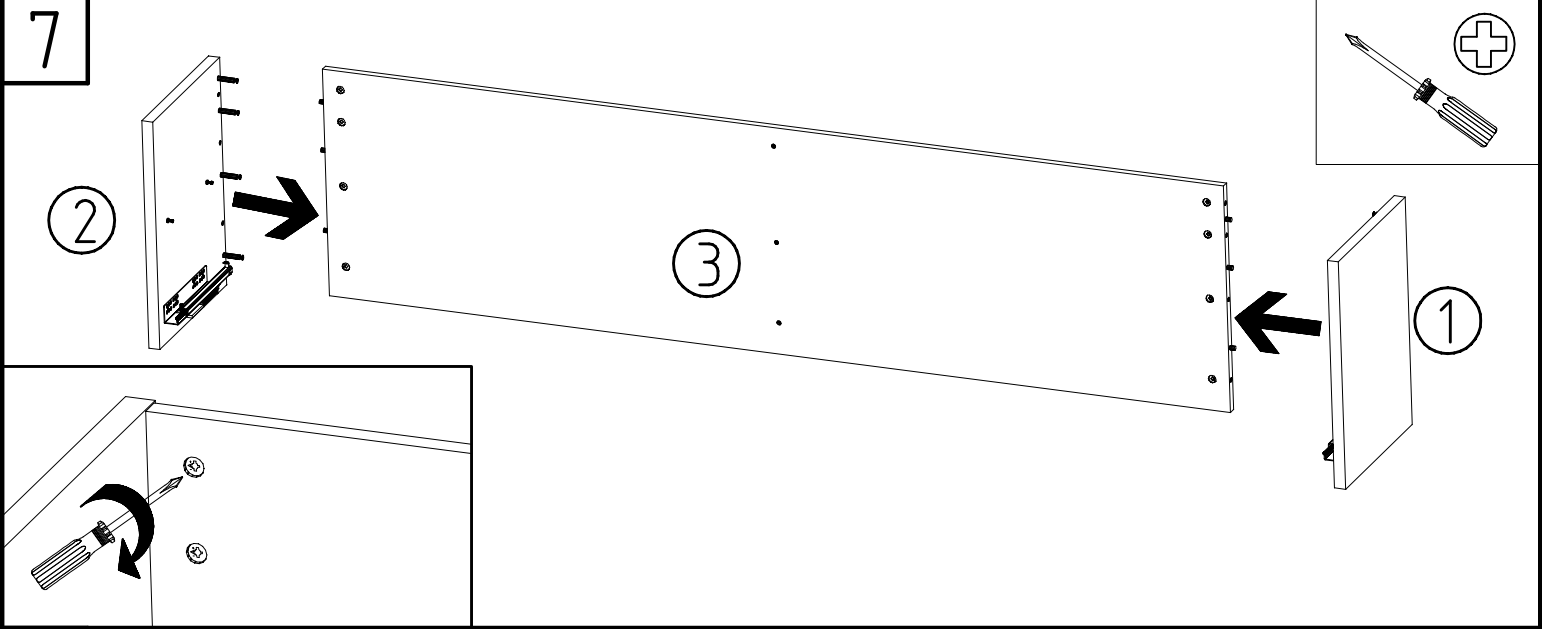


7



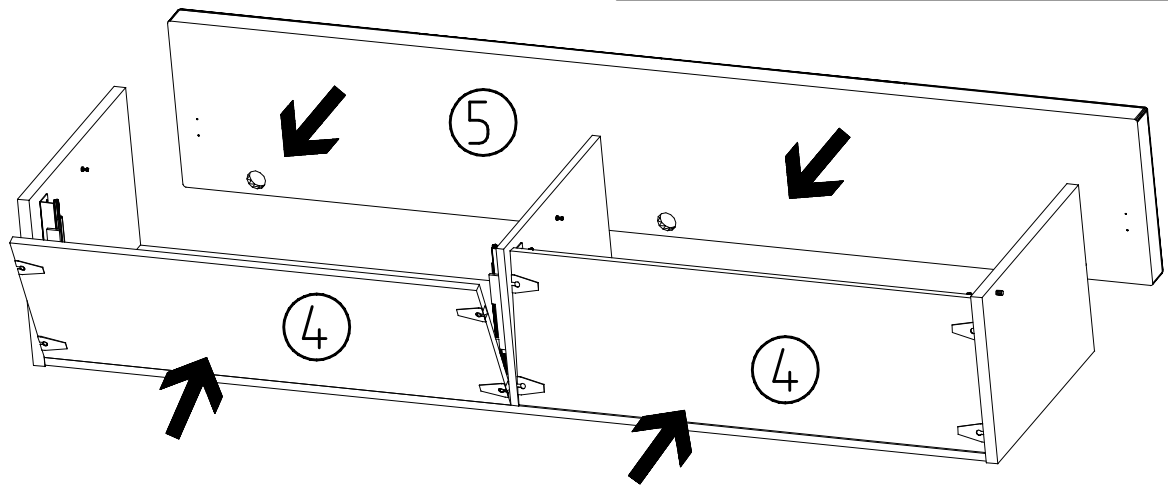
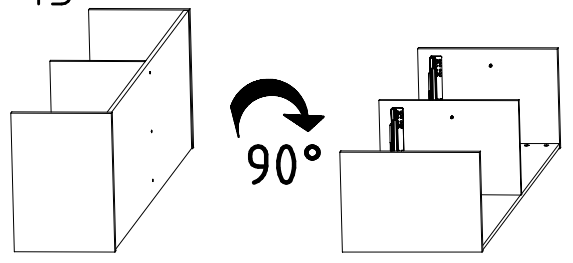
6





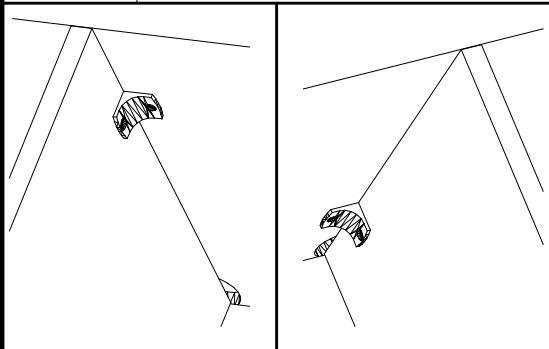
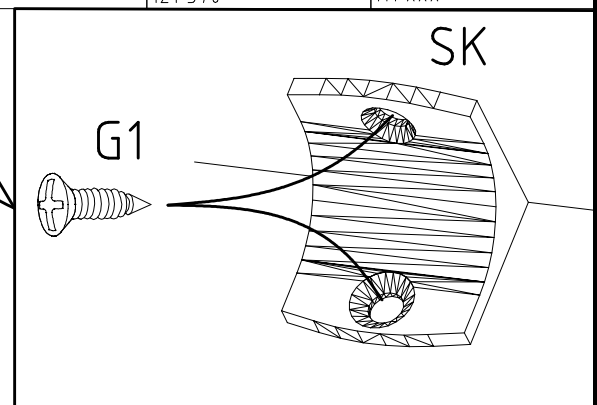
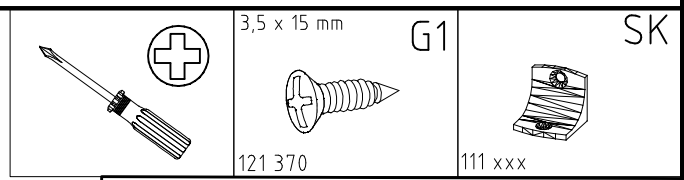
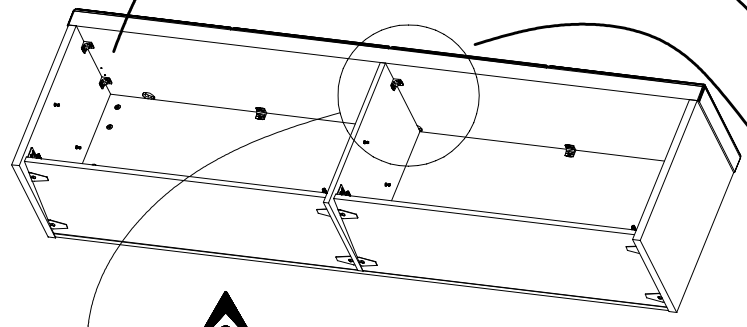
10

10-13

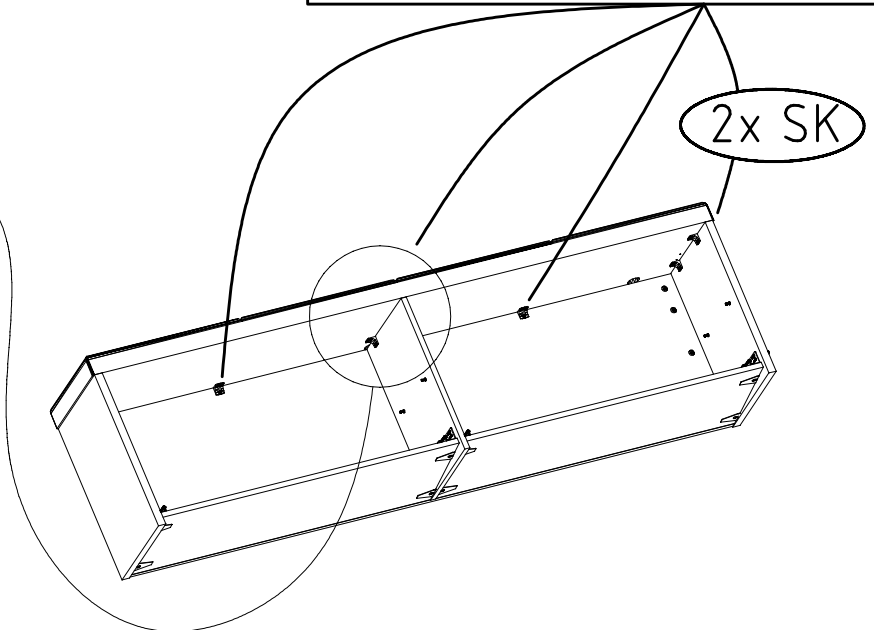
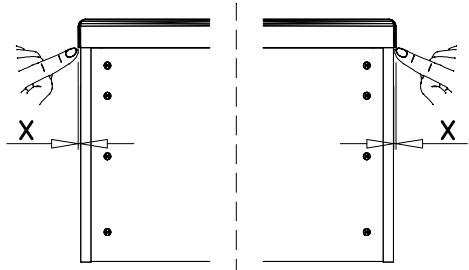


11

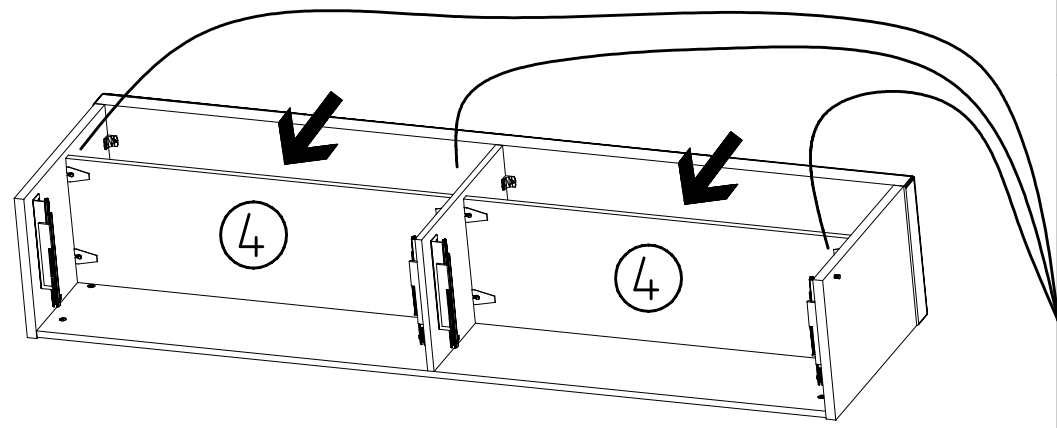
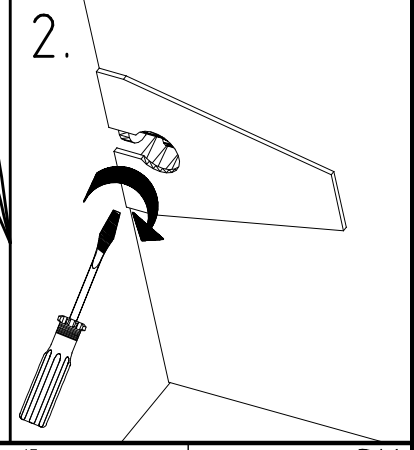
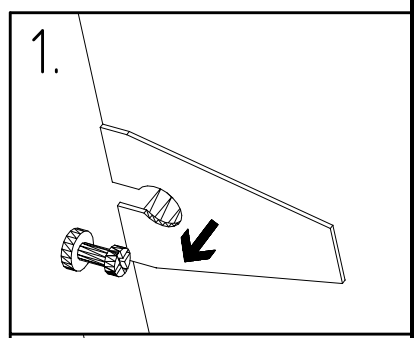
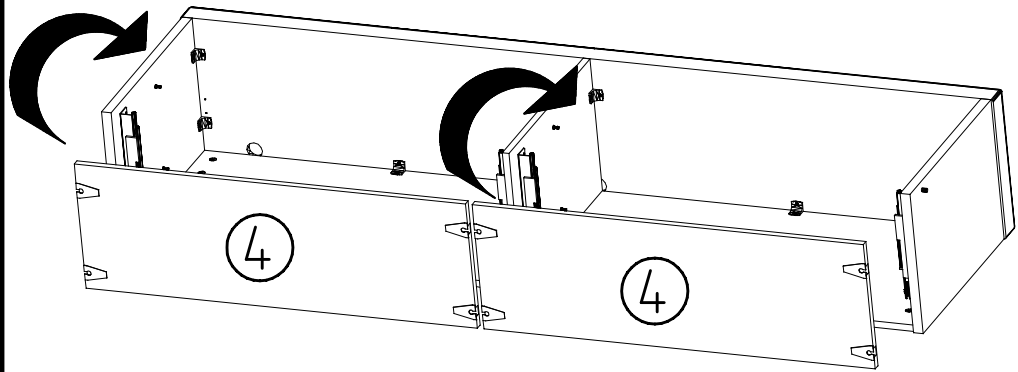
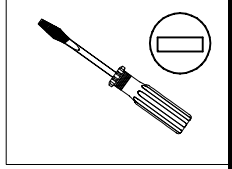
2x SK



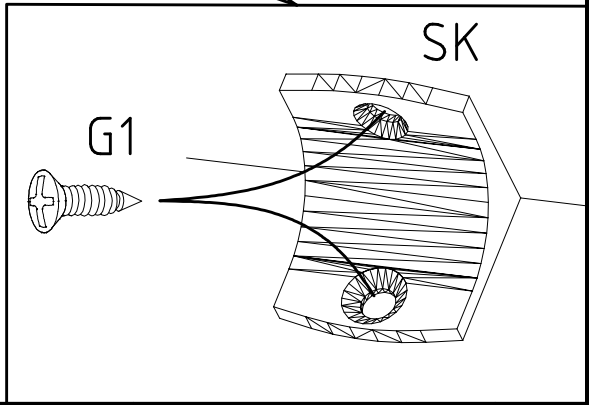
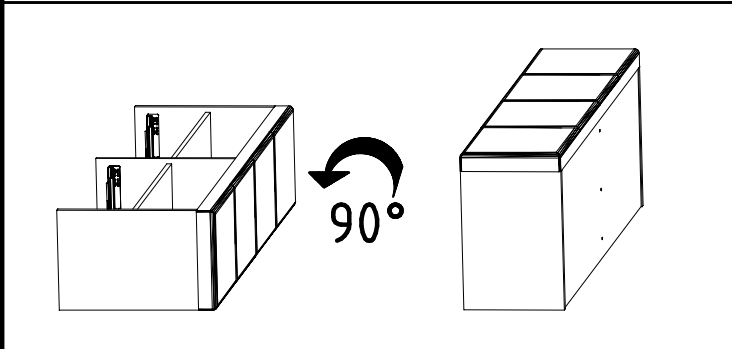
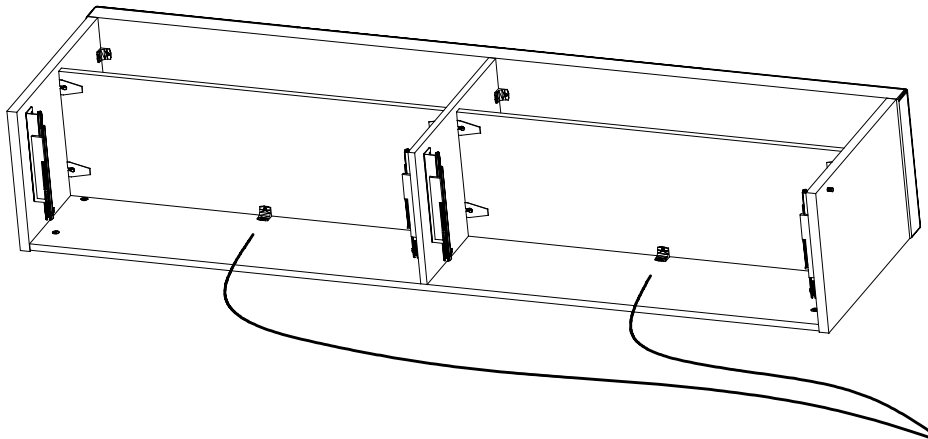
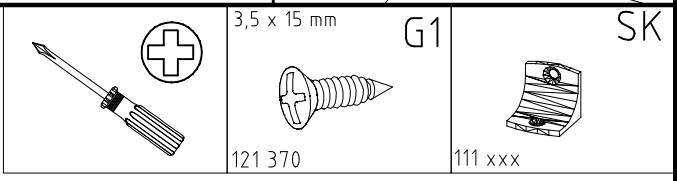
X = X



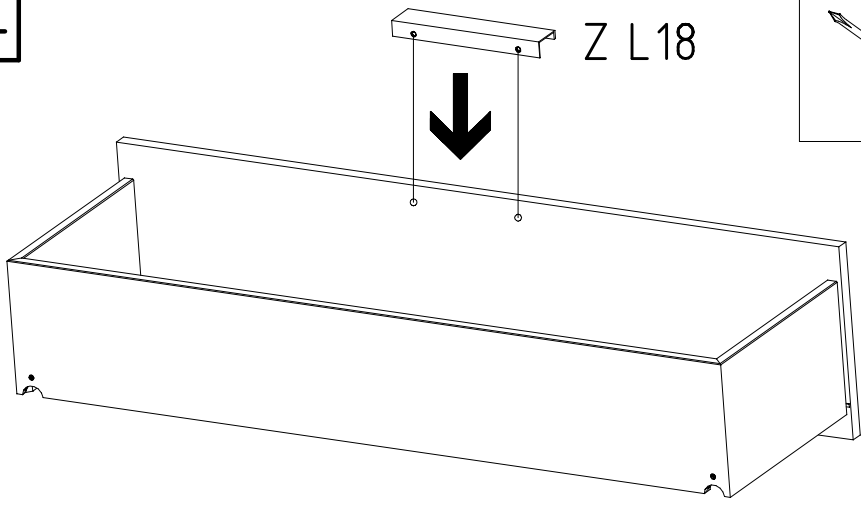
12



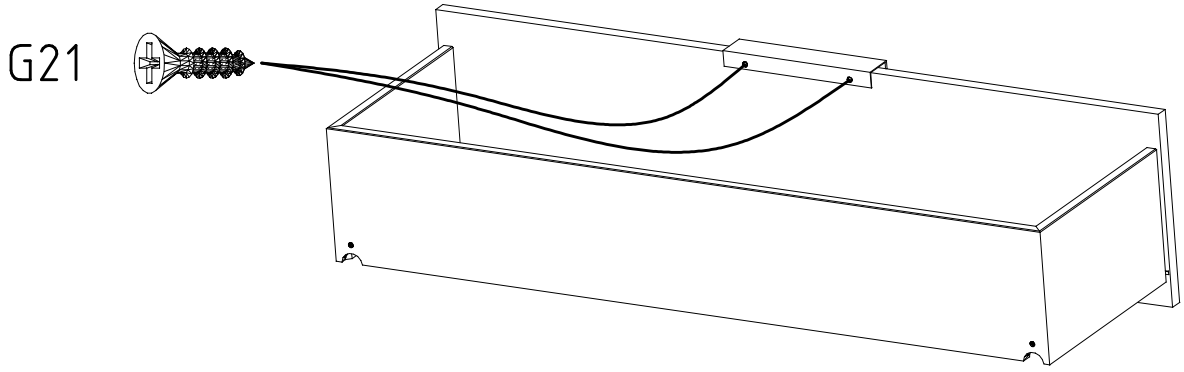
13



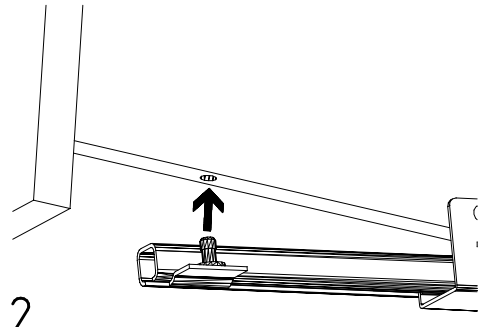
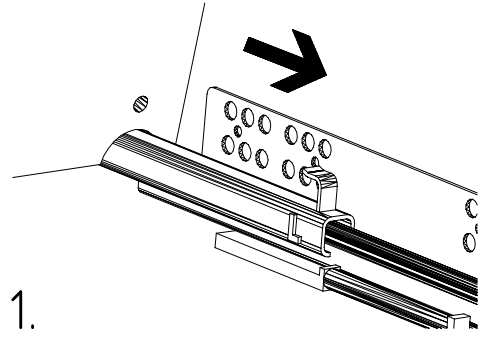
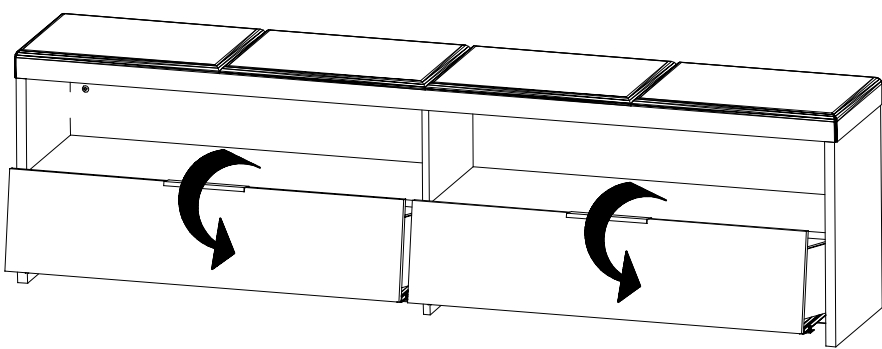
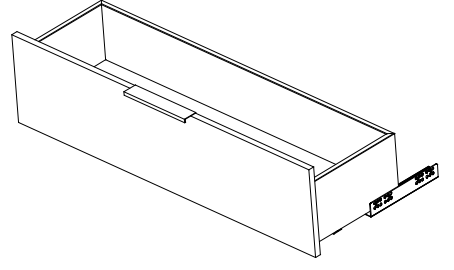
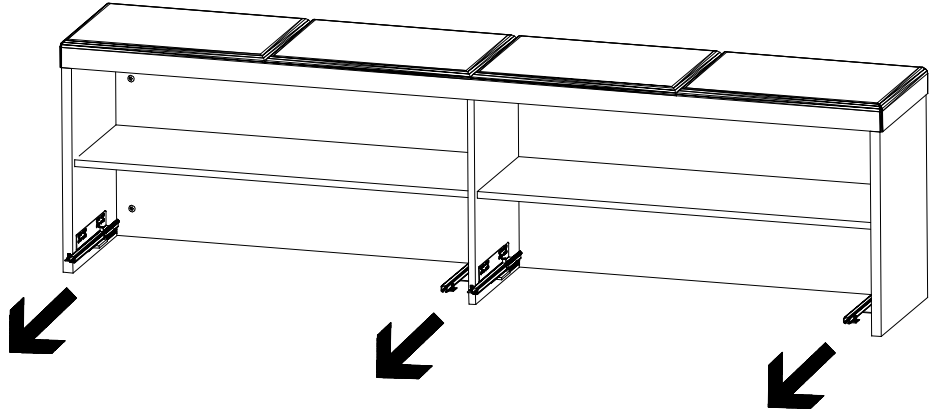
14



	<p>3 x 13 mm G21</p> <p>121 113</p>	<p>Z L18</p> <p>115 750</p>
--	-------------------------------------	-----------------------------



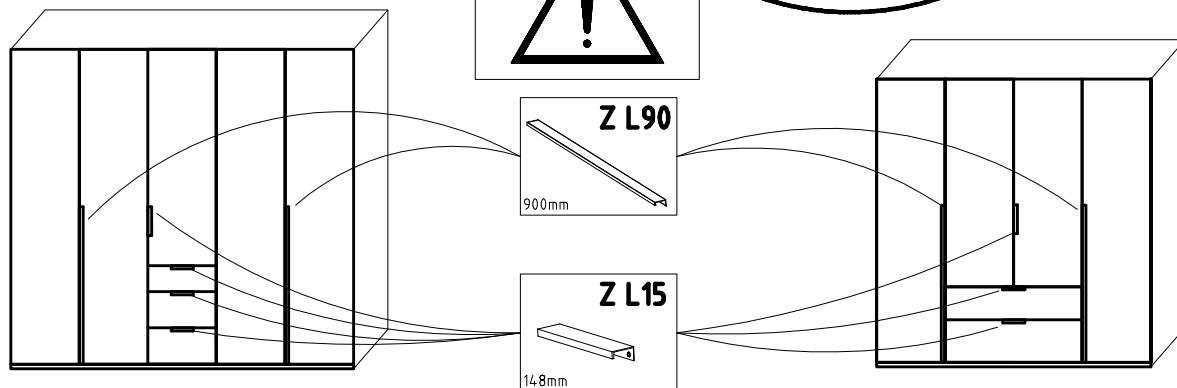
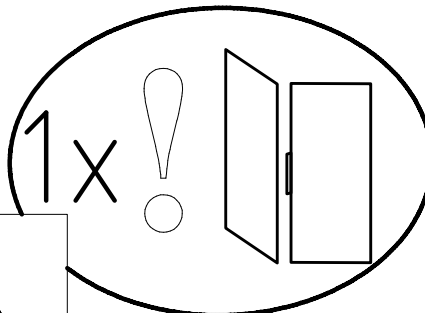
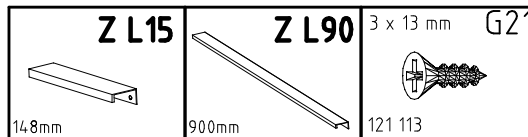
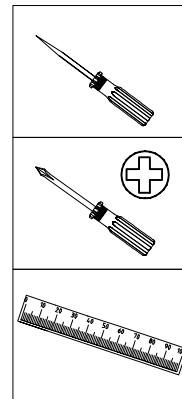
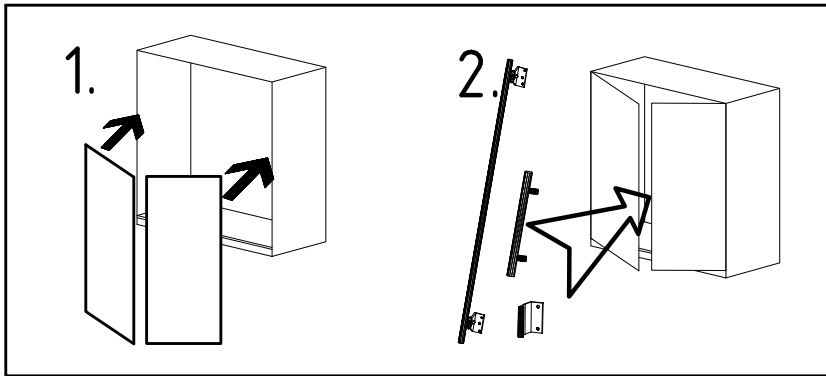
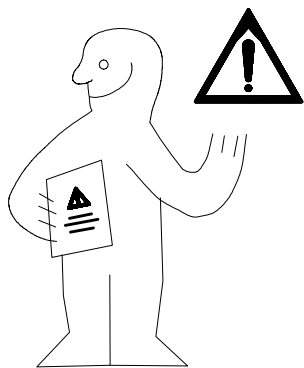
15



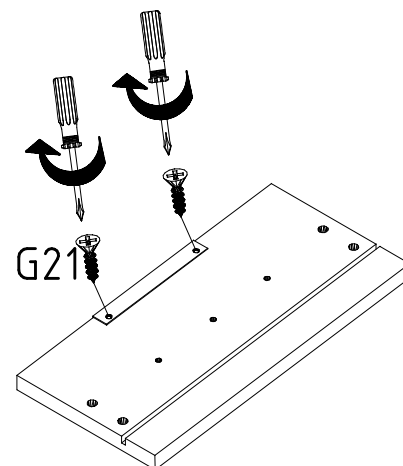
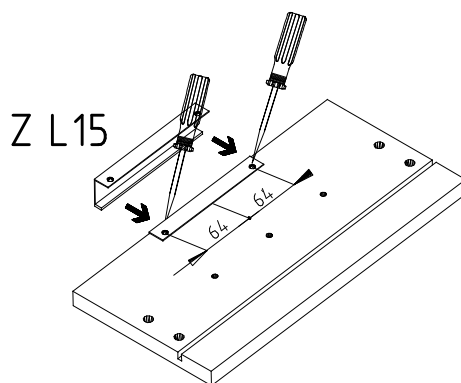
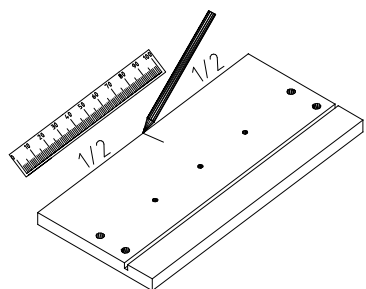
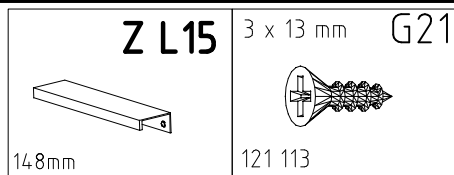




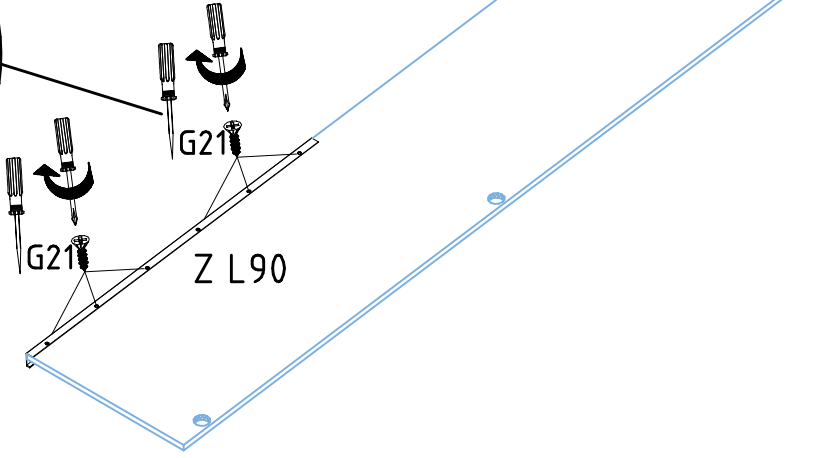
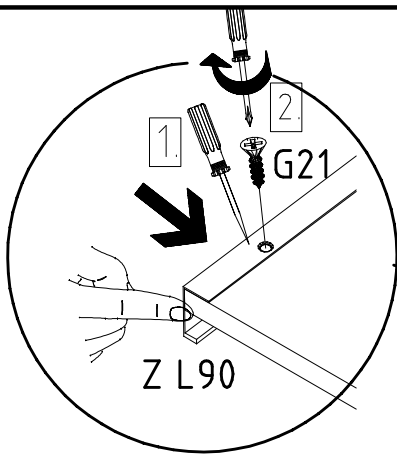
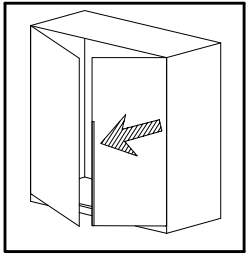
980304



1



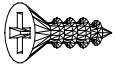
2



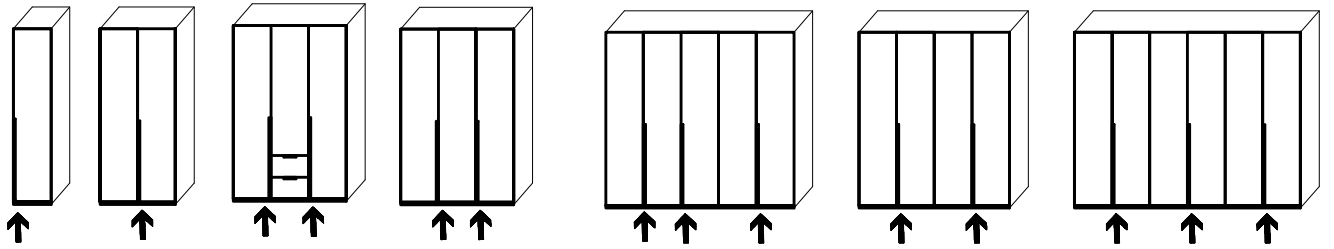
Z L90

900mm

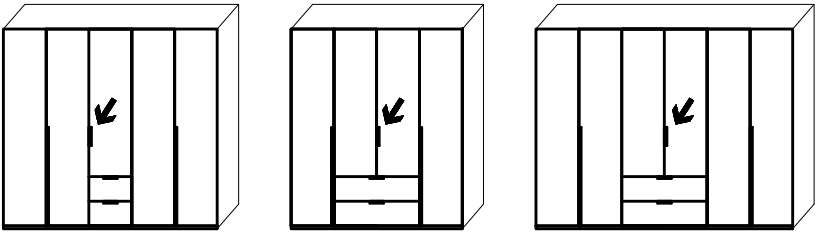
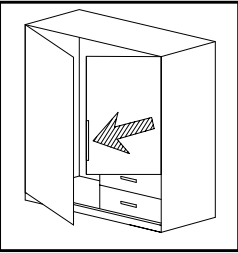
3 x 13 mm G21



121 113



3



Z L15

148mm

3 x 13 mm G21

121 113

