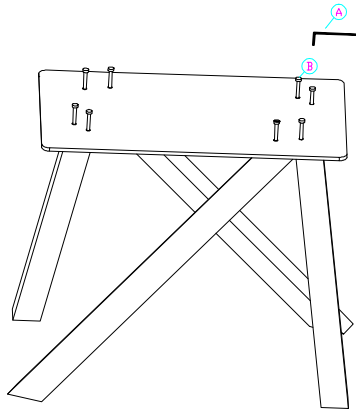
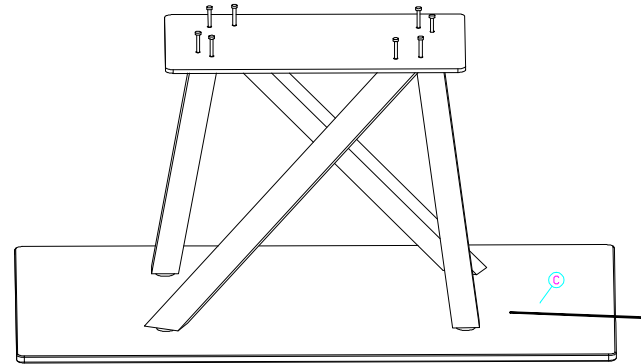


1



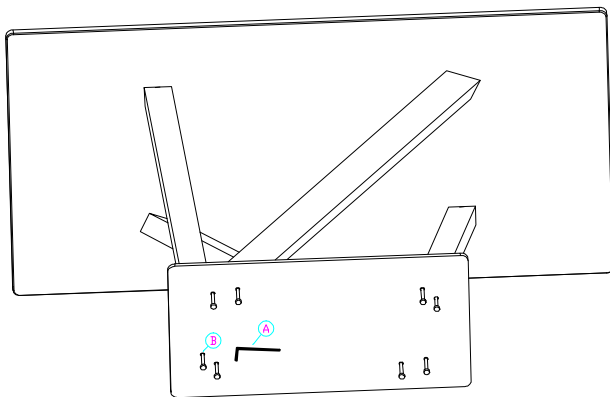
1. Fix the legs to the base, using the allen key A and screws B but dont tighten B.

2



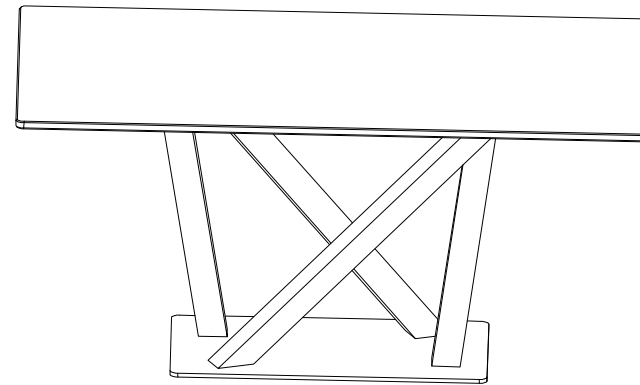
2. Attach the glass top with the legs using the allen "C" and tighten the screws.

3



3. Lie down the table at side and tighten the screws "B"

4



4. End

A	B	C
1pcs	8pcs	1pcs