

D MONTAGEANLEITUNG
BEDIENUNGSANLEITUNG

NL HANDLEIDING VOOR DE MONTAGE
GEBRUIKSAANWIJZING

TR MONTAJ TALIMATI
KULLANIM KLAVUZU

RO INSTRUCȚIUNI DE INSTALARE
INSTRUCȚIUNI DE UTILIZARE

FR NOTICE DE MONTAGE
MANUEL INSTRUCTIONS

HU KÖZGYŰLÉS UTASÍTÁSOK
KEZELÉSI UTASÍTÁS

SI NAVODILA ZA MONTAŽO
NAVODILA ZA UPORABO

ES INSTRUCCIONES DE MONTAJE
MANUAL DEL USUARIO

GB ASSEMBLY INSTRUCTIONS
INSTRUCTION MANUAL

PL INSTRUKCJA MONTAŻU
INSTRUKCJA OBSŁUGI

RU ИНСТРУКЦИЯ ПО МОНТАЖУ
ИНСТРУКЦИЯ ПО ЭКСПЛУАТАЦИИ

IT ISTRUZIONI DI MONTAGGIO
MANUALE DI ISTRUZIONI

SK MONTÁŽNY NÁVOD
NÁVOD NA POUŽITIE

CZ MONTÁŽNÍ NÁVOD
NÁVOD K POUŽITÍ

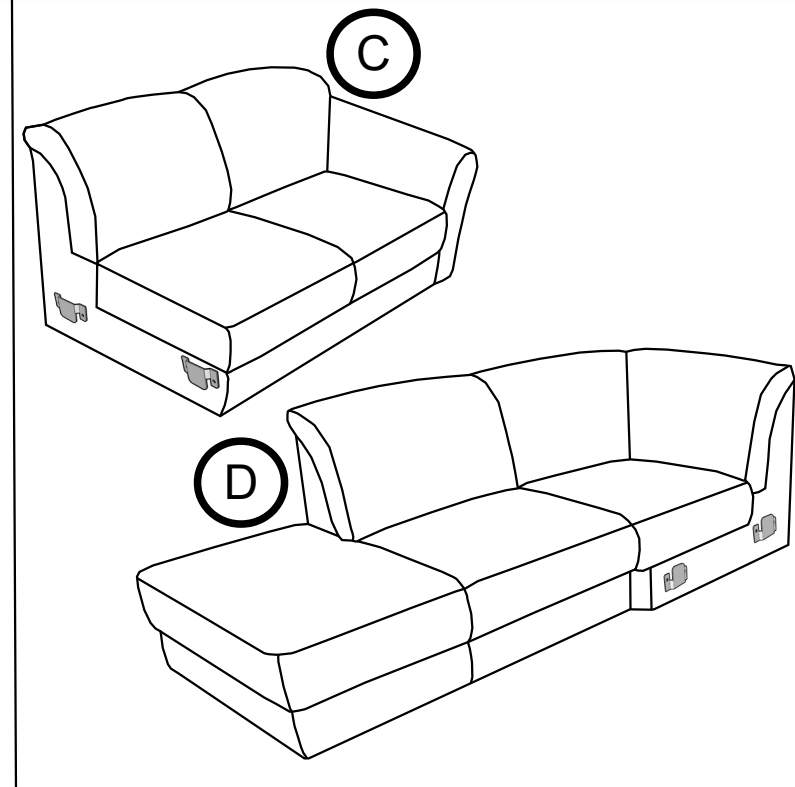
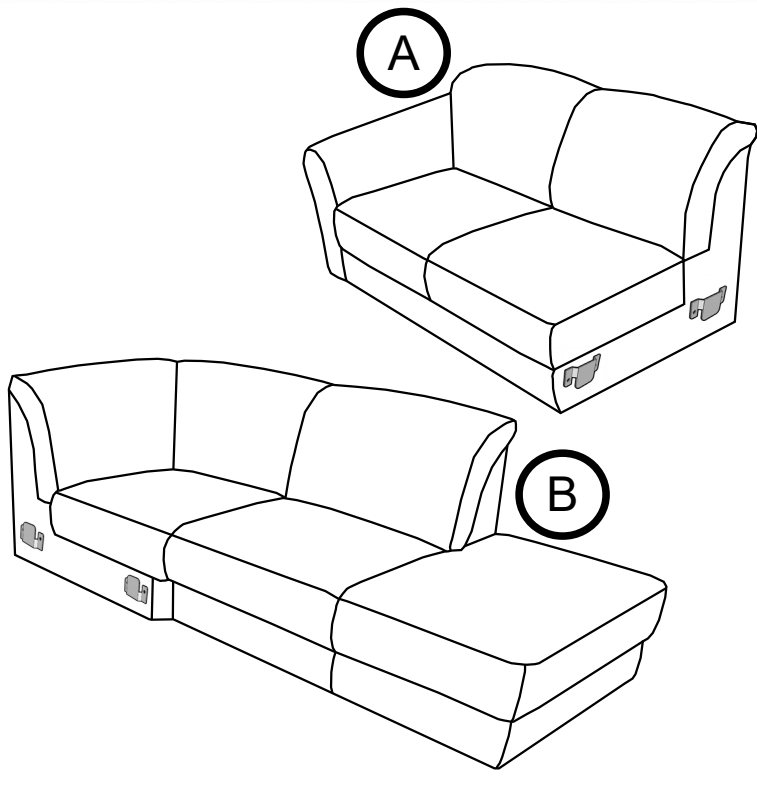
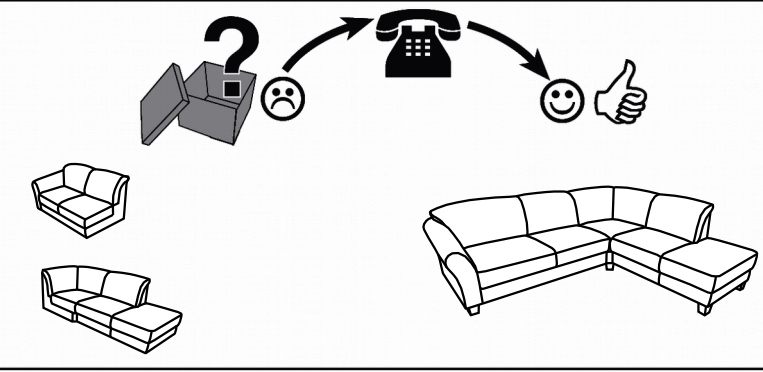
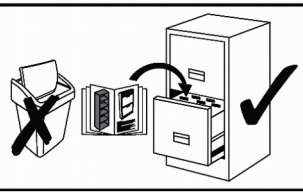
PT INSTRUÇÕES DE MONTAGEM
MANUAL DO USUÁRIO

HR UPUTE ZA MONTAŽU
UPUTE ZA UPOTREBU

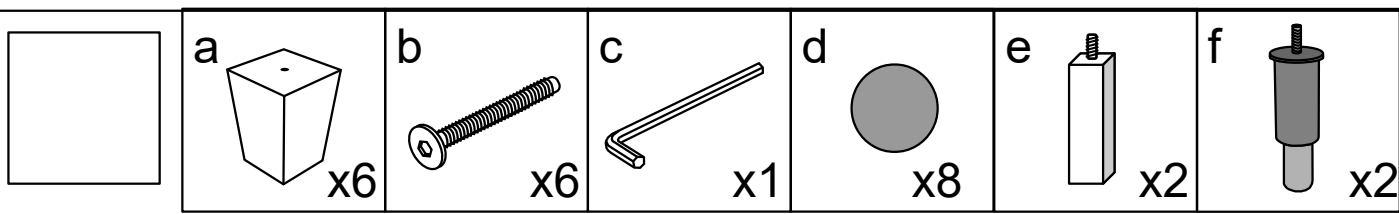
GOTLAND
HOERNUM
TRONDHEIM
3100-8301
8101-3300
2019-04/1

Service · Dienstverlening · Servis · Servis · Сервисная служба · Serviciu · Services · Servizio
 ·Servisný list · Szolgáltatás · Servisní list

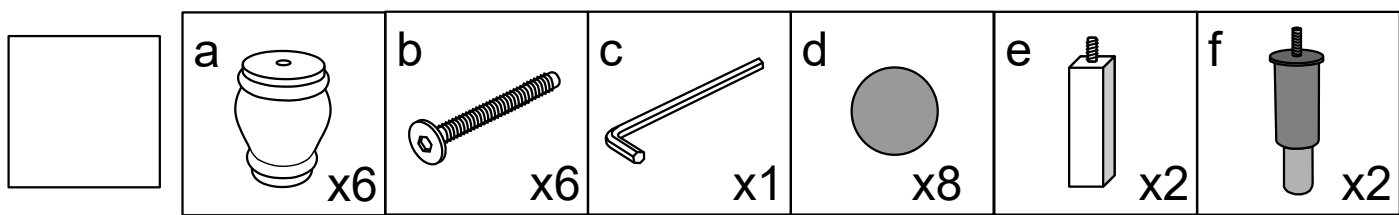
Name · Naam · Nazwa · Ísim · Название · Nume · Nome · Název · Názov ·
 Název · Neve
GOTLAND;HOERNUM; TRONDHEIM
 Тип · Type · Tip · Тип · Típo · Típus
 ☎ 3100-8301; 8101-3300



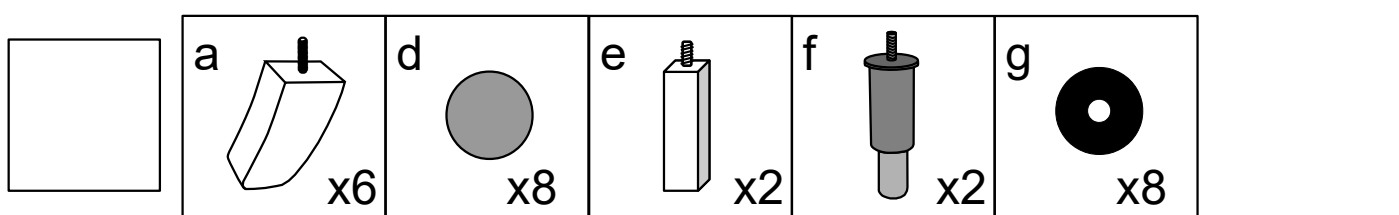
v1



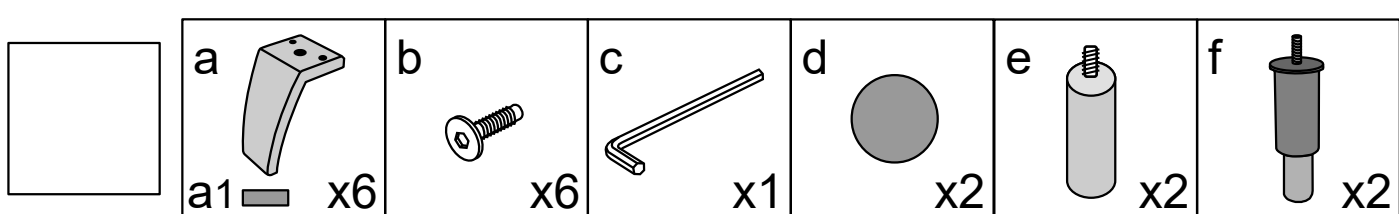
v2



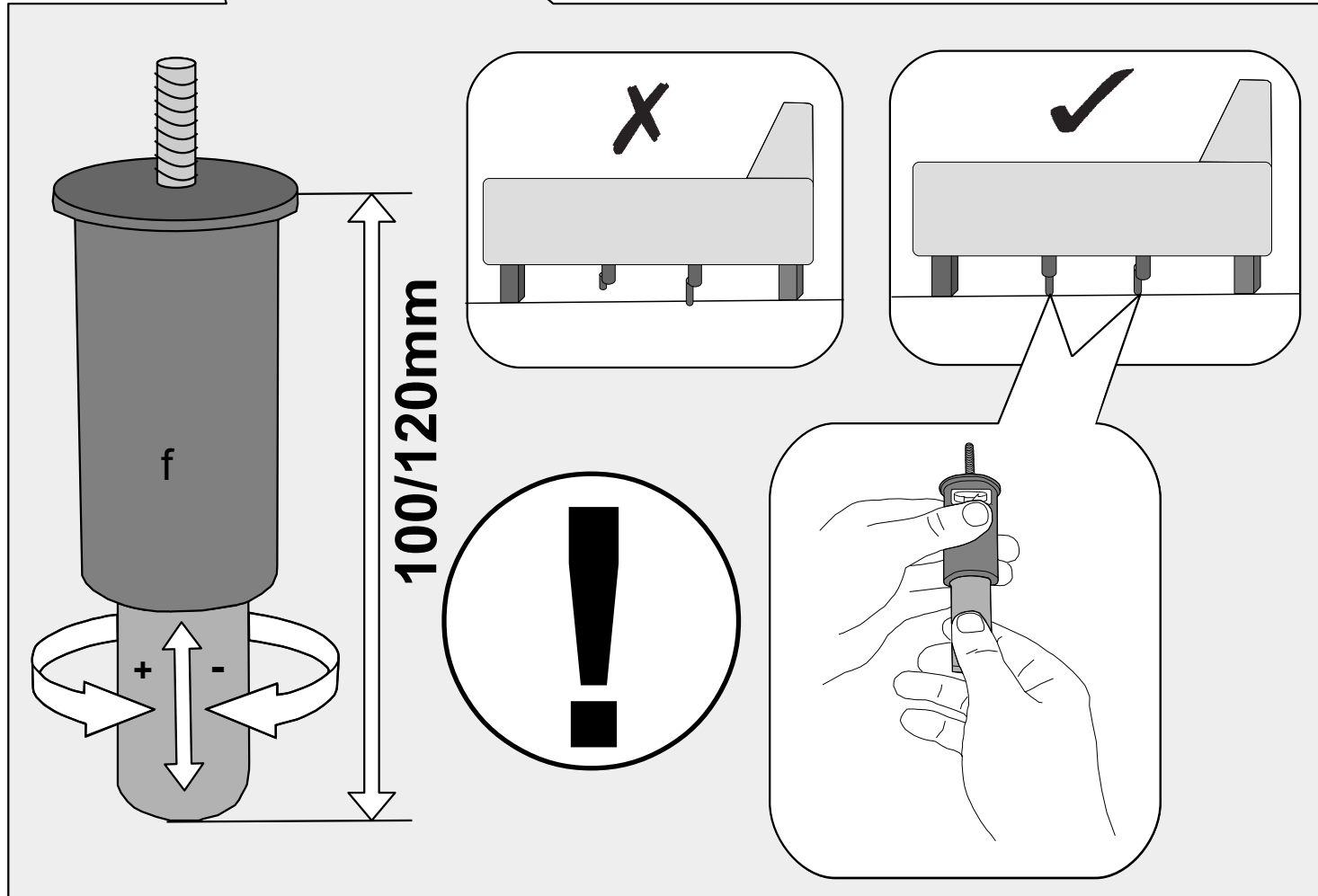
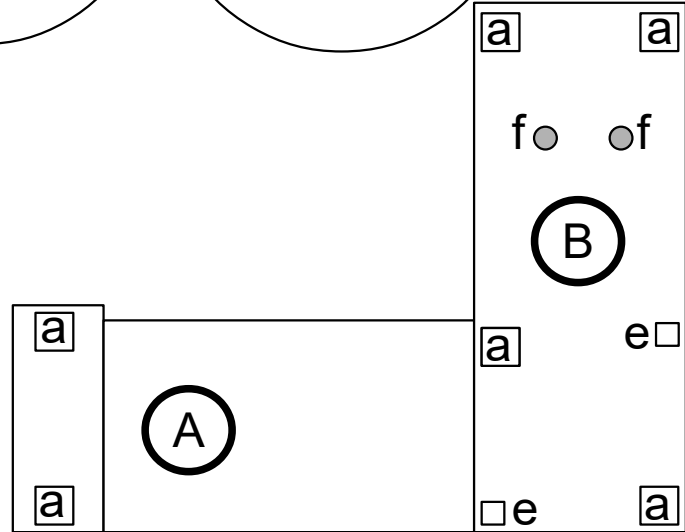
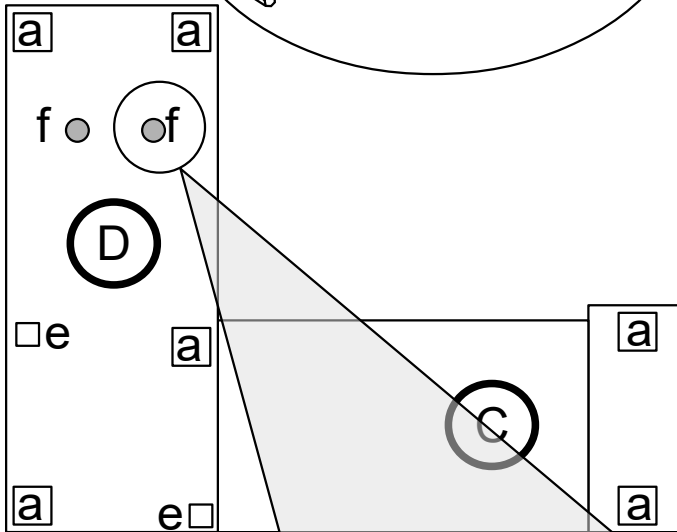
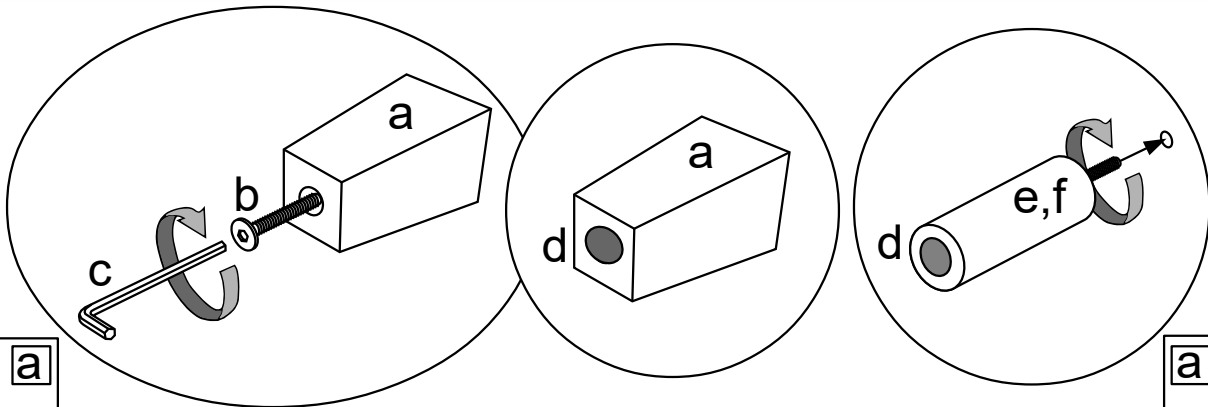
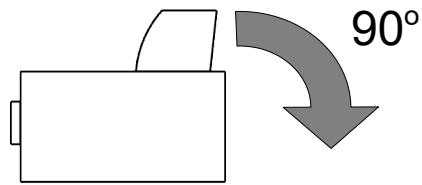
v3



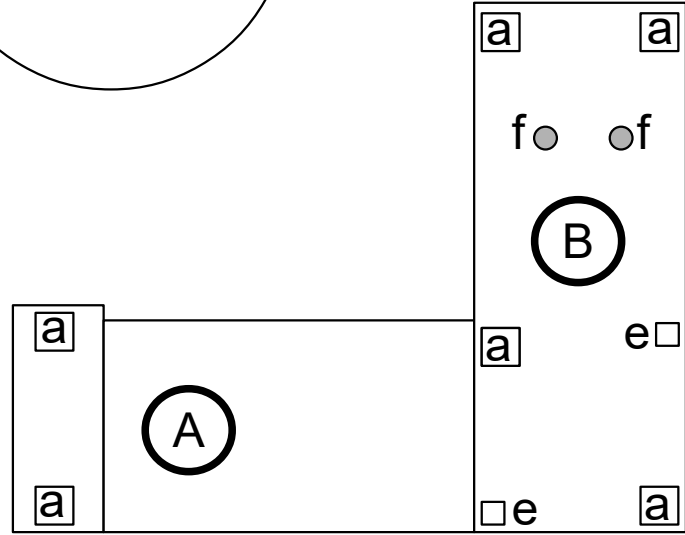
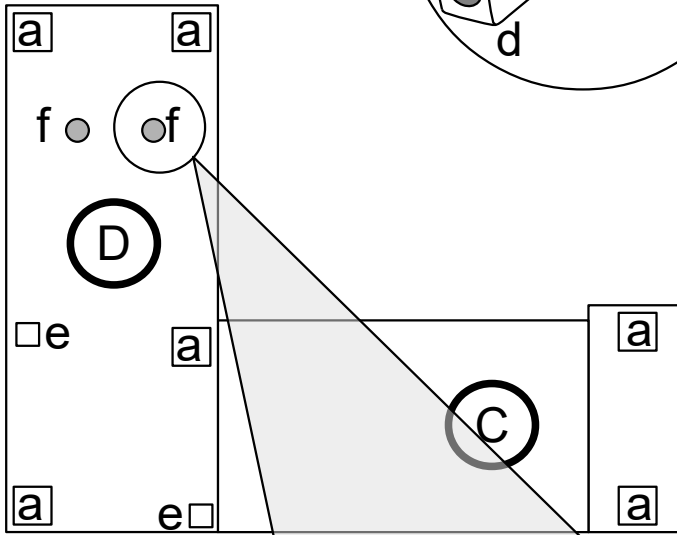
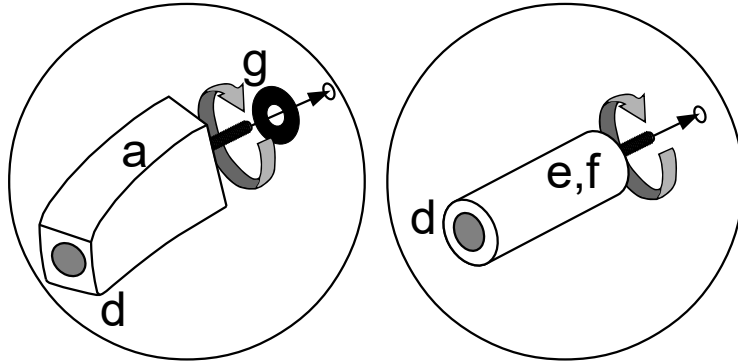
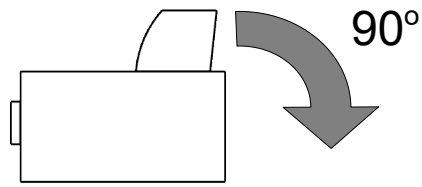
v4



v1 v2

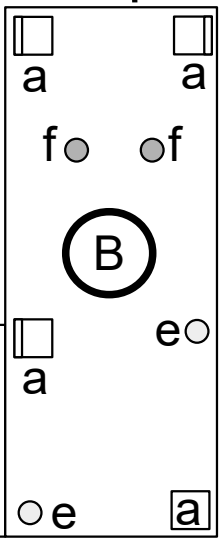
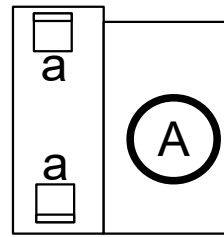
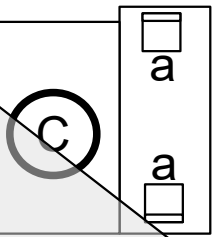
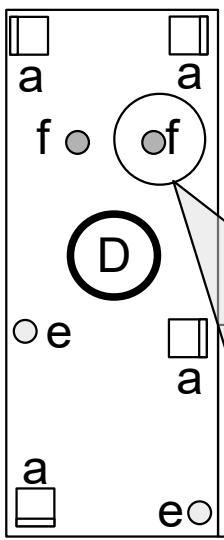
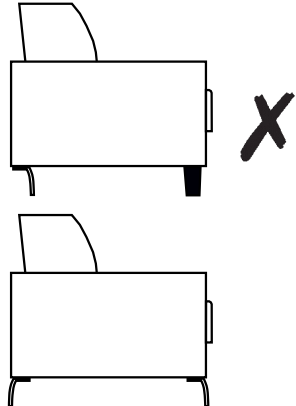
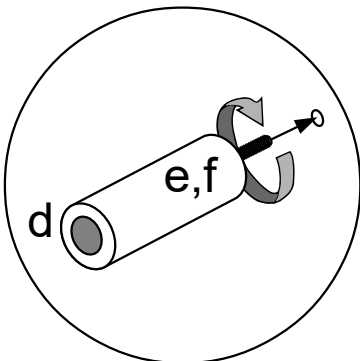
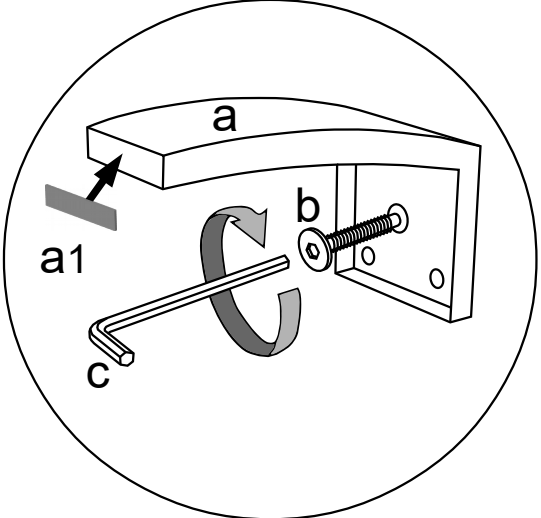
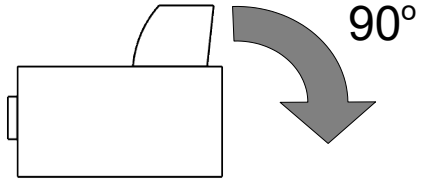


v3



A large assembly diagram with a central warning icon (a large exclamation mark in a circle). To the left, a vertical assembly is shown with a threaded rod on top, a cylindrical component labeled 'f', and a base with a double-headed arrow and '+' and '-' signs. A vertical dimension line indicates a height of 100/120mm. To the right, two sub-diagrams show correct and incorrect ways to attach a component. The top-left sub-diagram shows a component being attached to a base with a large 'X' over it, indicating it is incorrect. The top-right sub-diagram shows a component being attached to a base with a checkmark, indicating it is correct. The bottom-right sub-diagram shows a hand holding a component with a threaded rod.

v4



100/120mm

f

+

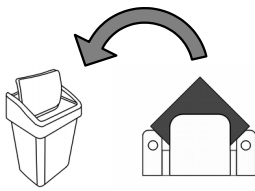
-

!

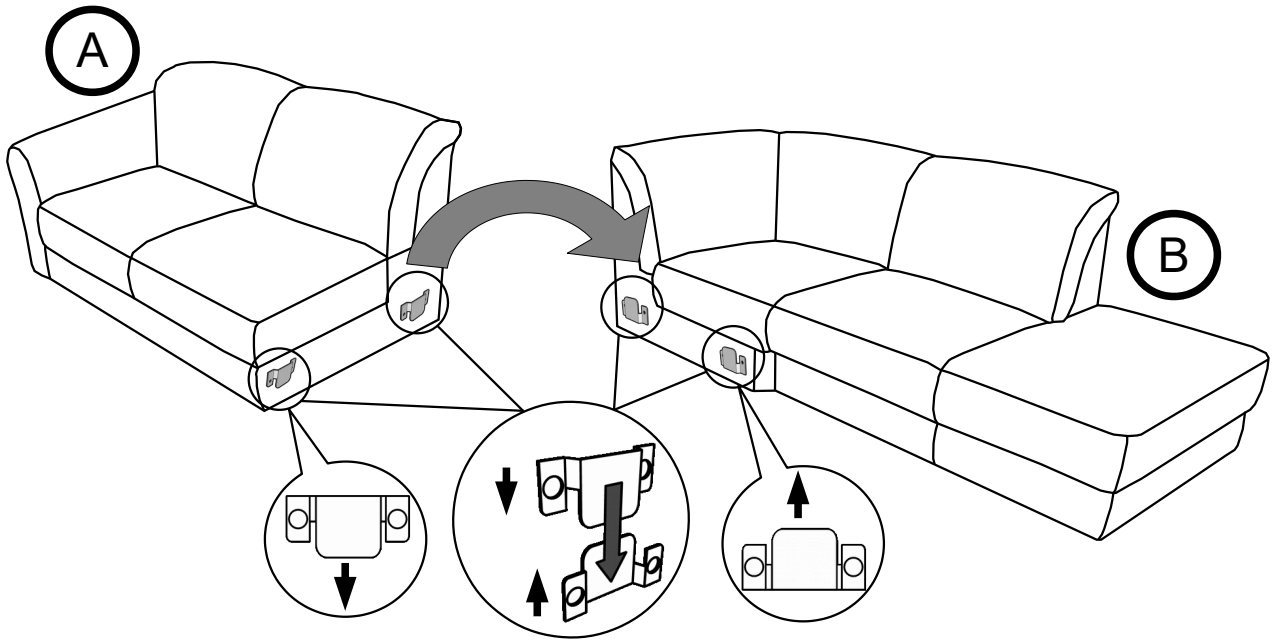
✓

X

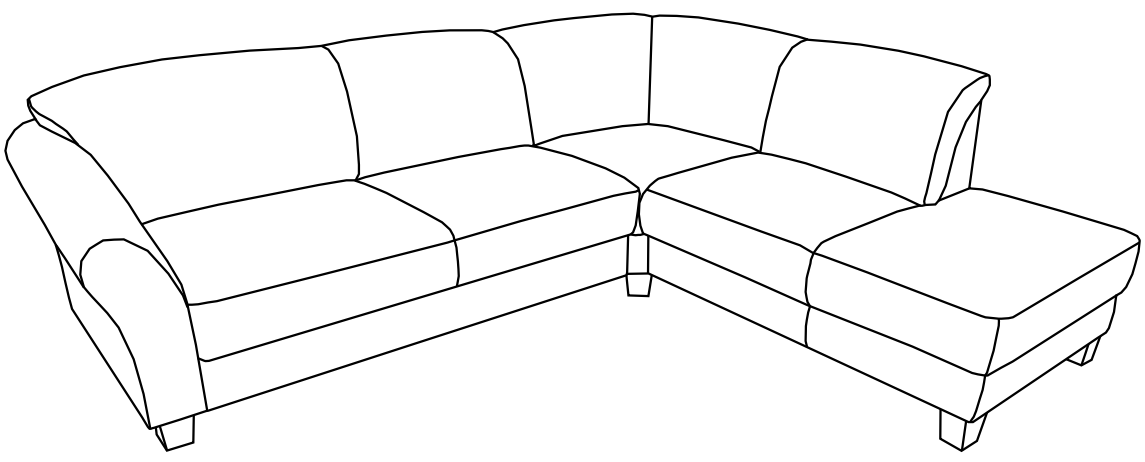
1



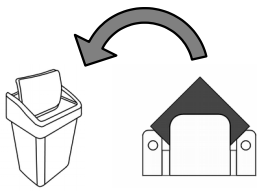
2



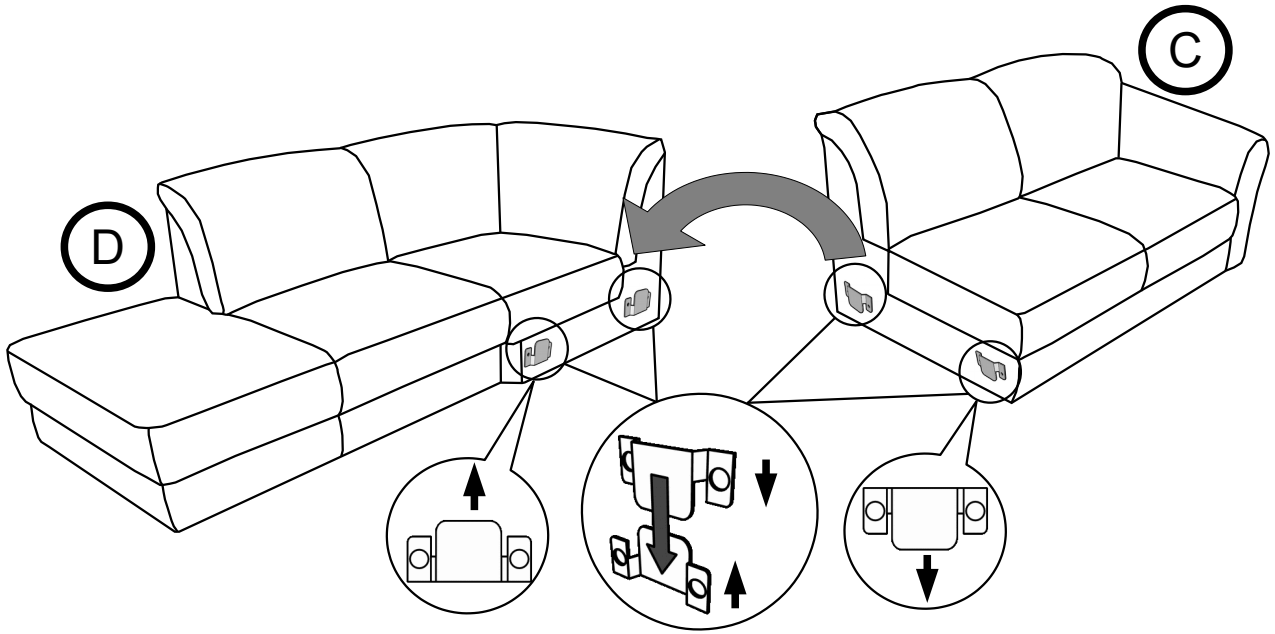
3



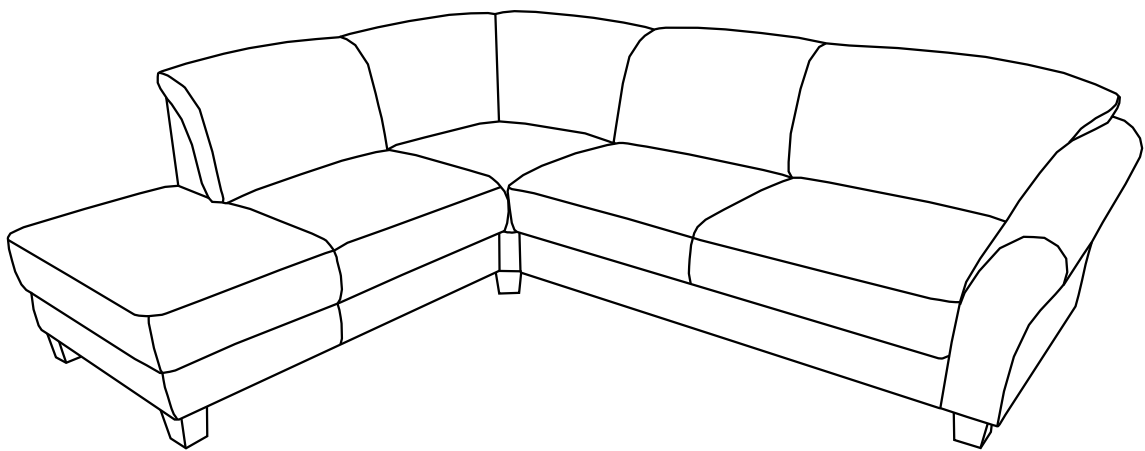
4



5



6



7