

Haier

User Manual



Refrigerator-Freezer

HTW5618D*	HDPW5618CN*
HTW5620DN*	HDPW5620CN*
HTW5618EN*	HDPW5620AN*
HTW5620EN*	HDPW3620CN*
HTW5618CN*	HDPW3620DN*
HTW5620CN*	HDPW3618CN*
HDPW5618DN*	HTW3620DN*
HDPW5620DN*	HDPW7620*
	HDPW5620BN*
	HTW7620*

EN

BG

CZ

DE

EL

ES

FR

HU

IT

NL

PL

PT

RO

SK

SL

EN

**WARNING: Risk of fire/flammable material EN**

The symbol indicates there is a risk of fire since flammable materials are used. Take care to avoid causing a fire by igniting flammable material.

ПРЕДУПРЕЖДЕНИЕ: Опасност от пожар/запалим материал BG

Символът показва, че съществува опасност от пожар, тъй като се използват запалими материали. Внимавайте да не предизвикате пожар чрез подпалване на запалим материал.

VAROVÁNÍ: Nebezpečí Požáru/Hořlavého Materiálu CZ

Symbol označuje riziko požáru, protože byly použity hořlavé materiály. Dbejte na to, aby nedošlo ke vzniku požáru zapálením hořlavého materiálu.

WARNUNG: Brandgefahr/brennbares Material DE

Das Symbol weist auf Brandgefahr hin, da brennbare Materialien verwendet werden. Verhindern Sie die Entstehung von Bränden, die durch entflammbare Materialien verursacht werden.

ΠΡΟΣΟΧΗ: Κίνδυνος φωτιάς/εύφλεκτο υλικό EL

Το σύμβολο υποδεικνύει ότι υπάρχει κίνδυνος φωτιάς επειδή χρησιμοποιούνται εύφλεκτα υλικά. Προσέχετε να αποφεύγετε την πρόκληση φωτιάς από ανάφλεξη εύφλεκτου υλικού.

ADVERTENCIA: Riesgo de incendio o material inflamable ES

El símbolo indica que existe riesgo de incendio, dado que se utilizan materiales inflamables. Se debe procurar evitar incendios mediante la combustión de materiales inflamables.

ATTENTION: Risque d'incendie ou de matières inflammables FR

Le symbole montre qu'il y'a le risque de matériaux inflammables sont utilisés. Prendre soin d'éviter de provoquer un incendie en ingérant des matières inflammables.

FIGYELEM: Tűz / gyűlékony anyag veszélye HU

A szimbólum azt jelzi, hogy tűzveszély áll fenn, mivel gyűlékony anyagokat használnak. Ügyeljen arra, hogy ne tegyen rá tűzveszélyes gyűlékony anyagot.

ATTENZIONE: Rischio di incendio/materiale infiammabile IT

Il simbolo indica il rischio di incendio nel caso di utilizzo di materiali infiammabili. Fare attenzione ed evitare l'insorgere di incendi a causa della combustione di materiali infiammabili.

WAARSCHUWING: Brandrisico / brandbaar materiaal NL

Het systeem geeft aan dat er een brandrisico bestaat aangezien brandbaar materiaal wordt gebruikt. Zorg ervoor dat er geen brand wordt veroorzaakt door brandbaar materiaal te ontsteken.

OSTRZEŽENIE: Ryzyko pożaru/materiał łatwopalny PL

Symbol wskazuje, że istnieje ryzyko pożaru, ponieważ używane są materiały łatwopalne. Dbaj o to, aby uniknąć pożaru poprzez zapale nie łatwopalnego materiału.

AVISO: Risco de incêndio e material inflamável PT

O símbolo indica que existe um risco de incêndio, uma vez que são utilizados materiais inflamáveis. Tenha cuidado para evitar provocar um incêndio acendendo material inflamável.

AVERTISMENT: Risc de incendiu/material inflamabil RO

Simbolul indică că există risc de incendiu deoarece sunt folosite materiale inflamabile. Aveți grijă și evitați incendiile aprinzând materiale inflamabile.

VAROVANIE: Nebezpečnosť požiaru/horľavý materiál SK

Symbol označuje nebezpečnosť požiaru, pretože sa používajú horľavé materiály. Dávajte pozor, aby ste zabránili vzniku požiaru vznietením horľavého materiálu.

OPOZORILO: Nevarnost požara/vnetljiv material SL

Simbol označuje nevarnost požara, saj se uporabljajo vnetljivi materiali. Pazite, da ne povzročite požara z vžigom vnetljivega materiala.

<u>5 Safety information</u>	•	<u>Before first use</u>	6
		<u>Installation</u>	6
		<u>Daily use</u>	7
<u>10 Intended use</u>	•		
<u>11 Product description</u>	•		
<u>15 Control panel</u>	•		
<u>16 Use</u>	•	<u>Adjust the temperature for fridge</u>	17
		<u>Adjust the temperature for freezer</u>	17
		<u>Adjust the temperature for My Zone</u>	17
		<u>Super-Cool function</u>	18
		<u>Super-Frz function</u>	19
<u>24 Equipment</u>	•		
<u>28 Energy saving tips</u>	•		
<u>29 Care and cleaning</u>	•		
<u>32 Troubleshooting</u>	•		
<u>36 Installation</u>	•		
<u>40 Technical data</u>	•		
<u>46 Customer service</u>	•		



**Please click the contents to
look at the detail information.**

Thank you for purchasing a Haier Product.

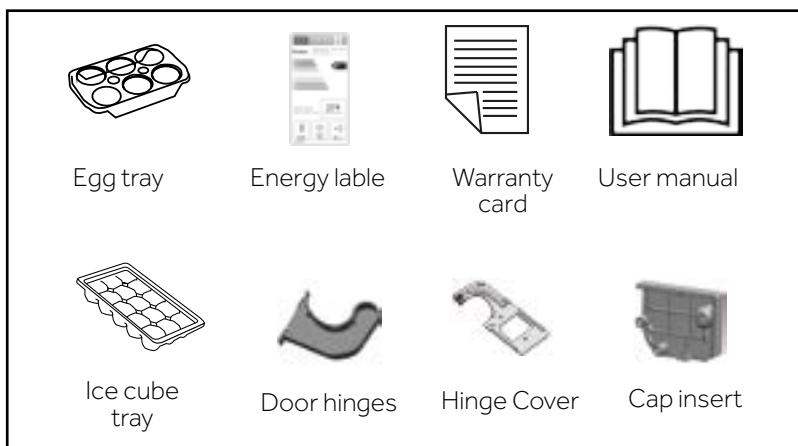
Please read these instructions carefully before using this appliance. The instructions contain important information which will help you get the best out of the appliance and ensure safe and proper installation, use and maintenance.

Keep this manual in a convenient place so you can always refer to it for the safe and proper use of the appliance.

If you sell the appliance, give it away, or leave it behind when you move house, make sure you also pass this manual so that the new owner can become familiar with the appliance and safety warnings.

Accessories

Check the accessories and literature in accordance with this list:





WARNING – Important Safety information



NOTICE-General information and tips



Environmental information



Disposal

Help protect the environment and human health. Put the packaging in applicable containers to recycle it. Help to recycle waste of electrical and electronic appliances. Do not dispose appliances marked with this symbol with the household waste. Return the product to your local recycling facility or contact your municipal office.



WARNING!

Risk of injury or suffocation!

Refrigerants and gases must be disposed of professionally. Ensure that the tubing of the refrigerant circuit is not damaged before being properly disposed of. Disconnect the appliance from the mains supply. Cut off the mains cable and dispose of it. Remove the trays and drawers as well as the door catch and seals, to prevent children and pets to get closed in the appliance.



Before switching on the appliance for the first time read the following safety hints!:



WARNING!

Before first use

- ▶ Make sure there is no transport damage.
- ▶ Remove all packaging and keep out of children's reach.
- ▶ Wait at least two hours before installing the appliance in order to ensure the refrigerant circuit is fully efficient.
- ▶ Handle the appliance always with at least two persons because it is heavy.

Installation

- ▶ The appliance should be placed in a well-ventilated place. Ensure a space of at least 10 cm above and around the appliance.
- ▶ Never place the appliance in a damp area or location where it might be splashed with water. Clean and dry water splashes and stains with a soft clean cloth.
- ▶ Do not install the appliance in direct sunlight or in the near of heat sources (e.g. stoves, heaters).
- ▶ Install and level the appliance in an area suitable for its size and use.
- ▶ Keep ventilation openings in the appliance or in the in-built structure clear of obstruction.
- ▶ Make sure that the electrical information on the rating plate agrees with the power supply. If it does not, contact an electrician.
- ▶ The appliance is operated by a 220-240 VAC/50 Hz power supply. Abnormal voltage fluctuation may cause the appliance to fail to start, or damage to the temperature control or compressor, or there may be an abnormal noise when operating. In such case, an automatic regulator shall be mounted.
- ▶ Do not use multi-plug adapters and extension cables.
- ▶ Do not locate multiple portable socket-outlets or portable power supplies at the rear of the appliance.
- ▶ Ensure that the power cable is not trapped by the refrigerator. Do not step on the power cable.

**WARNING!**

- ▶ Use a separate earthed socket for the power supply which is easy accessible. The appliance must be earthed.
Only for UK: The appliance's power cable is fitted with 3-cord (grounding) plug that fits a standard 3-cord (grounded) socket. Never cut off or dismount the third pin (grounding). After the appliance is installed, the plug should be accessible.
- ▶ Do not damage the refrigerant circuit.

Daily use

- ▶ This appliance can be used by children aged from 8 years and above and persons with reduced physical, sensory or mental capabilities or lack of experience and knowledge if they have been given supervision or instruction concerning use of the appliance in a safe way and understand the hazards involved.
- ▶ Children aged from 3 to 8 years are allowed to load and unload, but not allowed to clean or install the refrigerating appliances.
- ▶ Keep away children under 3 years of age from the appliance unless they are constantly supervised.
- ▶ Children shall not play with the appliance.
- ▶ If cool gas or other inflammable gas is leaking in the vicinity of the appliance, turn off the valve of the leaking gas, open the doors and windows and do not unplug a plug in the power cable of the refrigerator or any other appliance.
- ▶ Notice that the appliance is set for operation at a specific ambient range between 10 and 43°C. The appliance may not work properly if it is left for a long period at a temperature above or below the indicated range.
- ▶ Do not place unstable articles (heavy objects, containers filled with water) on top of the refrigerator, to avoid personal injury caused by falling or electric shock caused by contact with water.
- ▶ Do not pull on the door shelves. The door may be pulled slant, the bottle rack, may be pulled away, or the appliance may topple.
- ▶ Open and close the doors only with the handles. The gap between the doors and between the doors and the cabinet is very narrow. Do not extend your hands in these areas to avoid pinching your fingers. Open or close the refrigerator doors only when there are no children standing within the range of door movement.



WARNING!

- ▶ Do not store or use inflammable, explosive or corrosive materials in the appliance or in the vicinity.
 - ▶ Do not store medicines, bacteria or chemical agents in the appliance. This appliance is a household appliance. It is not recommended to store materials that require strict temperatures.
 - ▶ Never store liquids in bottles or cans (besides high percentage spirits) especially carbonated beverages in the freezer, as these will burst during freezing.
 - ▶ Check the condition of food if a warming in the freezer has taken place.
 - ▶ Do not set unnecessarily low temperature in the refrigerator compartment. Minus temperatures may occur at high settings. Attention: Bottles can burst
 - ▶ Do not touch frozen goods with wet hands (wear gloves). Especially do not eat ice lollies immediately after removal from the freezer compartment. There is the risk to freeze or the formation of frost blisters. FIRST aid: keep immediately under running cold water. Do not pull away!
 - ▶ Do not touch the inside surface of the freezer storage compartment when in operation, especially with wet hands, as your hands may freeze onto the surface.
 - ▶ Unplug the appliance in the event of a power interruption or before cleaning. Allow at least 7 minutes before restarting the appliance, as frequent starting may damage the compressor.
 - ▶ Do not use electrical devices inside the food storage compartments of the appliance, unless they are of the type recommended by the manufacturer.
- Maintenance / cleaning
- ▶ Make sure children are supervised if they carry out cleaning and maintenance.
 - ▶ Disconnect the appliance from the electrical supply before undertaking any routine maintenance. Allow at least 5 minutes before restarting the appliance, as frequent starting may damage the compressor.

**WARNING!**

- ▶ Hold the plug, not the cable, when unplugging the appliance.
- ▶ Do not clean the appliance with hard brushes, wire brushes, detergent powder, petrol, amyl acetate, acetone and similar organic solutions, acid or alkaline solutions. Please clean with special refrigerator detergent to avoid damage.
- ▶ Do not scrape off frost and ice with sharp objects. Do not use sprays, electric heaters like heater, hair dryer, steam cleaners or other sources of heat in order to avoid damage to the plastic parts.
- ▶ Do not use mechanical devices or other means to accelerate the defrosting process, other than those recommended by the manufacturer.
- ▶ If the supply cord is damaged, it must be replaced by the manufacturer, its service agent or similarly qualified persons in order to avoid a hazard.
- ▶ Do not try to repair, disassemble or modify the appliance by yourself. In case of repair please contact our customer service.
- ▶ Eliminate the dust on the back of the unit at least once in the year to avoid hazard by fire, as well as increased energy consumption.
- ▶ Do not spray or flush the appliance during cleaning.
- ▶ Do not use water spray or steam to clean the appliance.
- ▶ Do not clean the cold glass shelves with hot water. Sudden temperature change may cause the glass to break.

Refrigerant gas information**WARNING!**

The appliance contains the flammable refrigerant ISOBUTANE (R600a). Make sure the refrigerant circuit is not damaged during transportation or installation. Leaking refrigerant may cause eye injuries or ignite. If a damage has occurred, keep away open fire sources, thoroughly ventilate the room, do not plug or unplug the power cords of the appliance or any other appliance. Inform the customer service.

In case of eyes get into contact with the refrigerant, rinse immediately it under running water and call immediately the eye specialist.



Intended use

This appliance is intended for cooling and freezing food. It has been designed exclusively for use in household and similar applications such as staff kitchen areas in shops, offices and other working environments; farm houses and by clients in hotels, motels and other residential type environments as well as in bed-and-breakfast and catering business. It is not intended for commercial or industrial use.

Changes or modifications to the device are not allowed. Unintended use may cause hazards and loss of warranty claims.

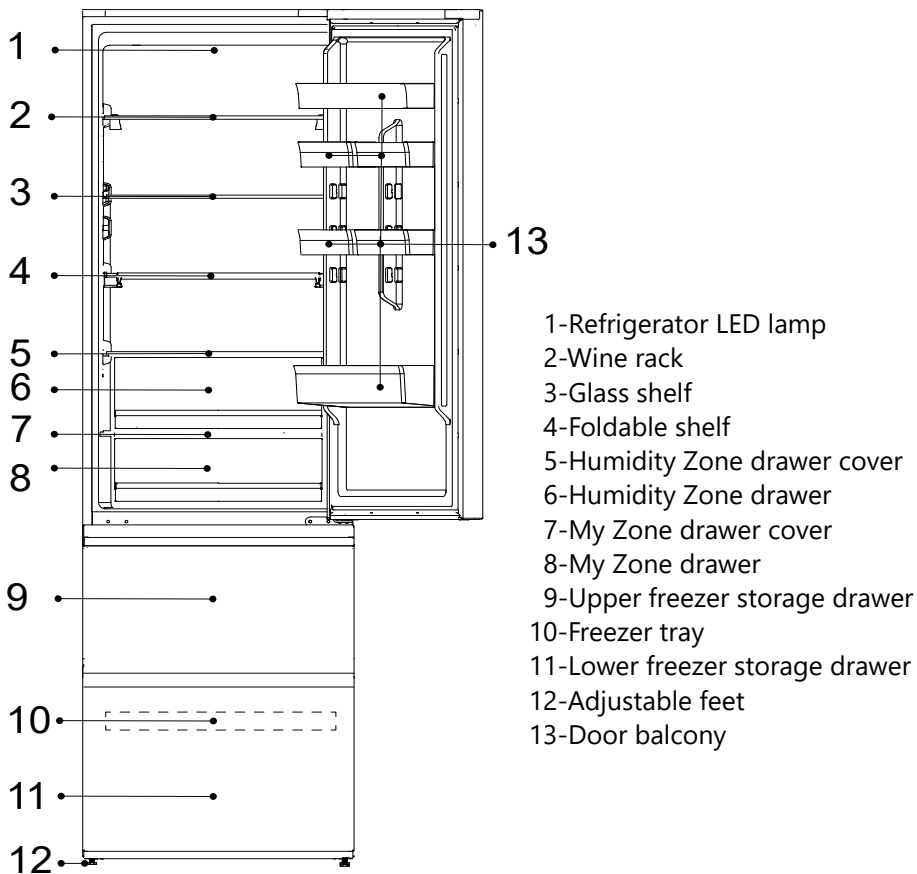
Standards and directives **CE**

This product meets the requirements of all applicable EC directives with the corresponding harmonised standards, which provide for CE marking.

i NOTICE

Due to technical changes and different models, some of the illustrations in this manual may differ from model.

(HTW5620DN*, HTW5620CN*, HTW5620EN*)

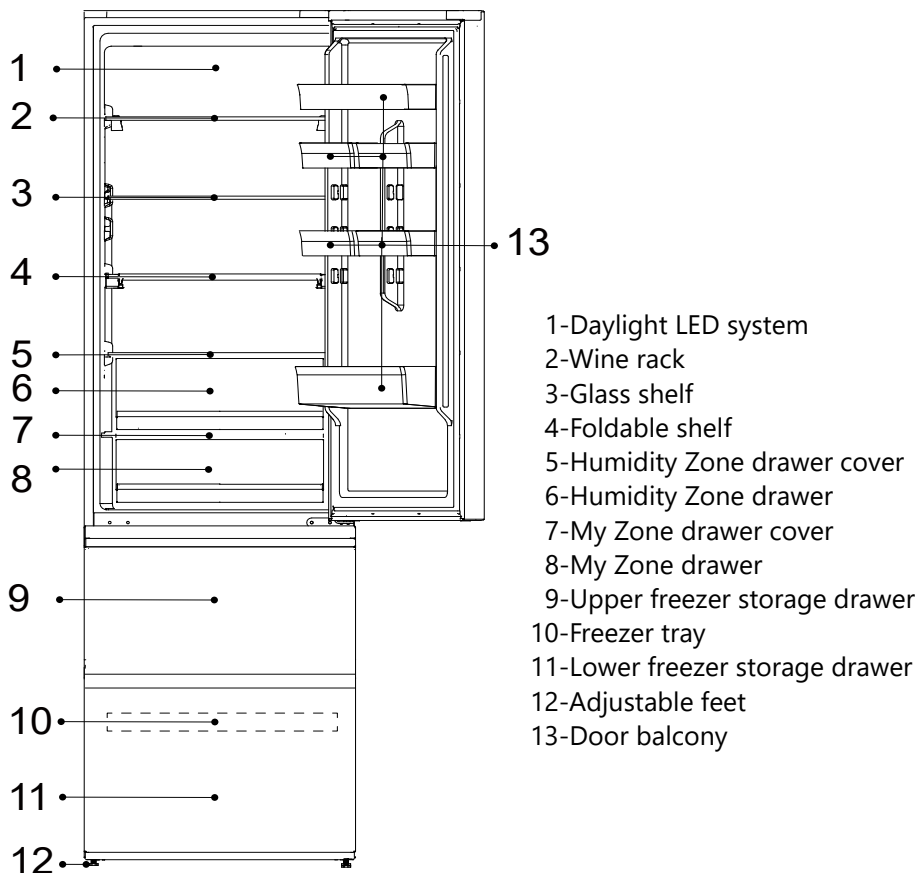




NOTICE

Due to technical changes and different models, some of the illustrations in this manual may differ from model.

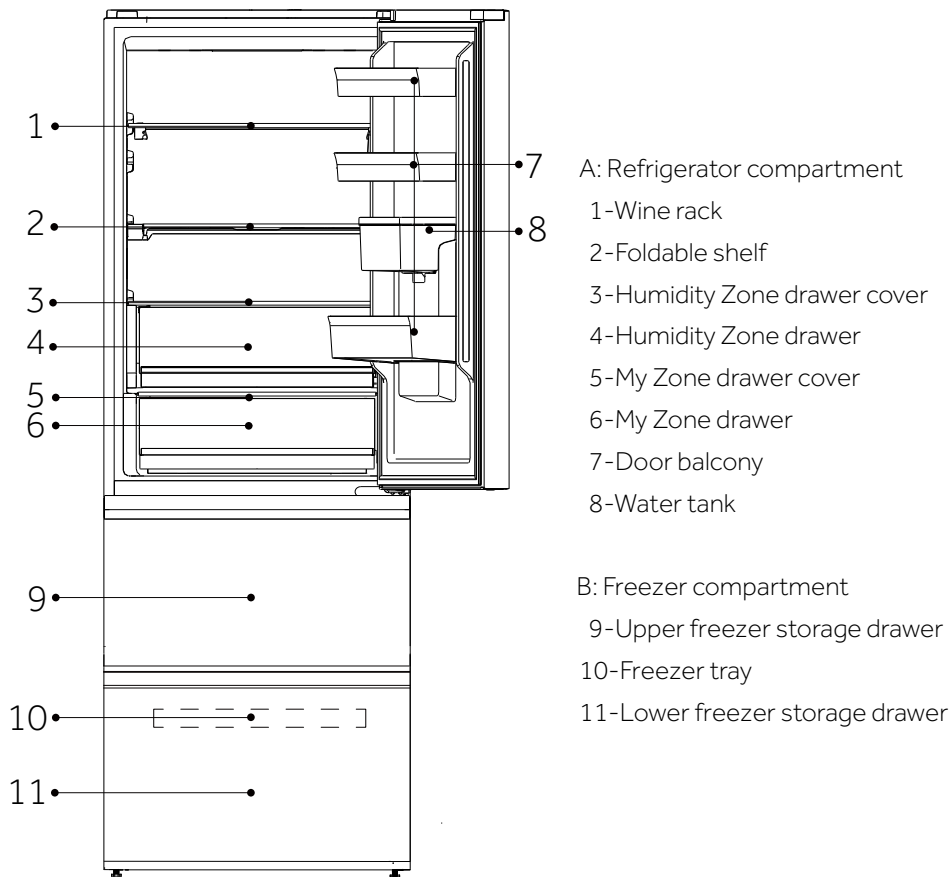
(HTW7620AN*, HTW7620CN*, HTW7620DN*)



i NOTICE

Due to technical changes and different models, some of the illustrations in this manual may differ from model.

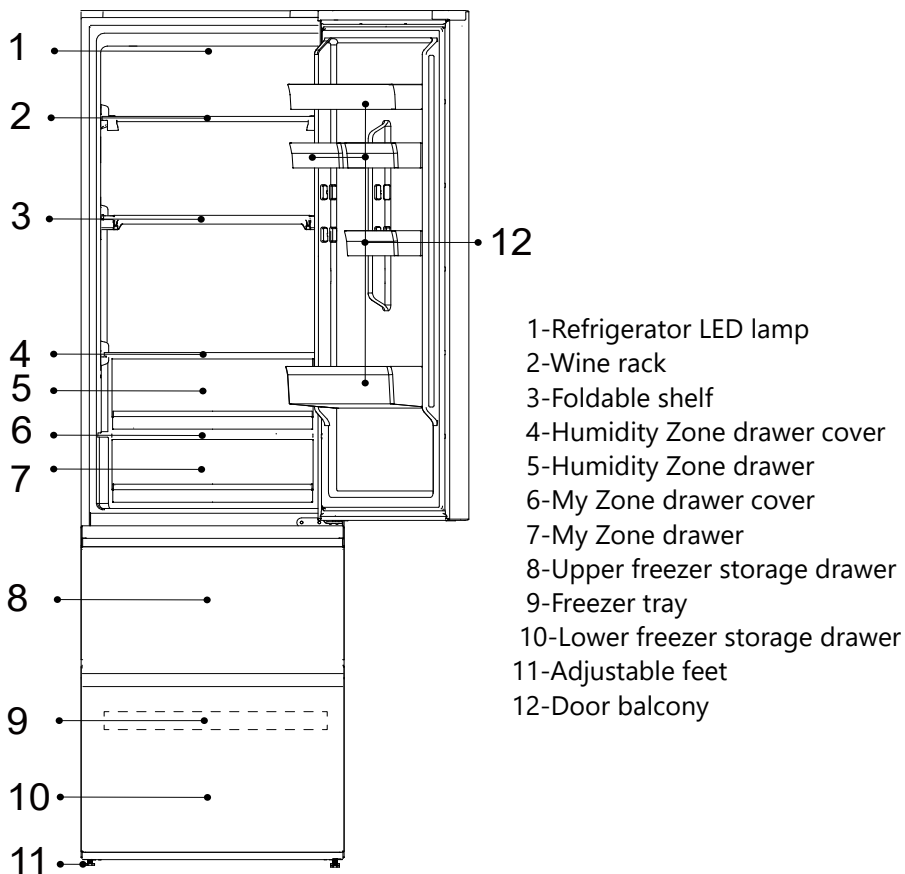
(HTW5618DW*)



i NOTICE

Due to technical changes and different models, some of the illustrations in this manual may differ from model.

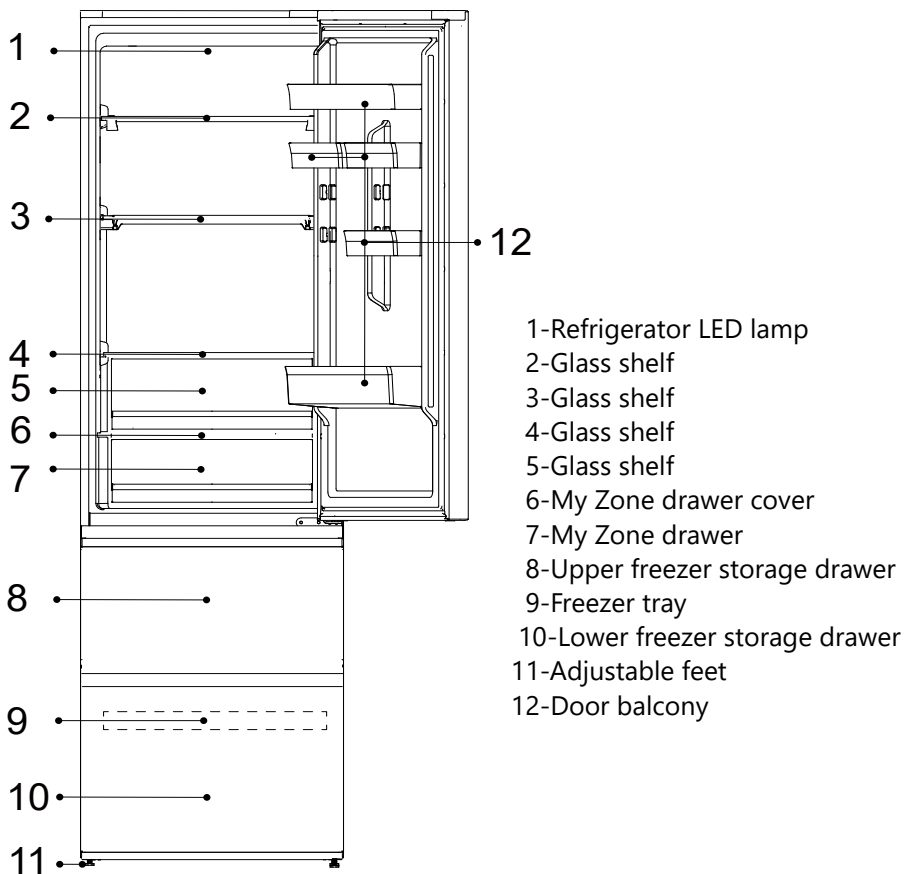
(HTW5618DN*, HTW5618CN*, HTW5618EN*)



i NOTICE

Due to technical changes and different models, some of the illustrations in this manual may differ from model.

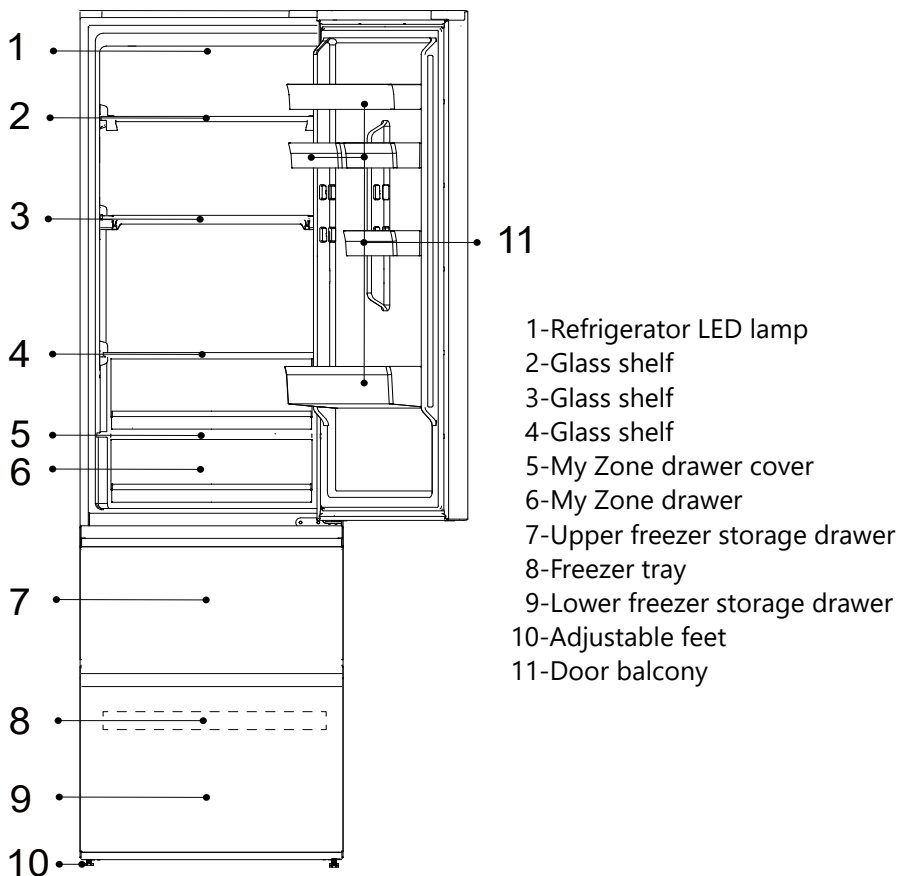
(HTW3620DN*)



i NOTICE

Due to technical changes and different models, some of the illustrations in this manual may differ from model.

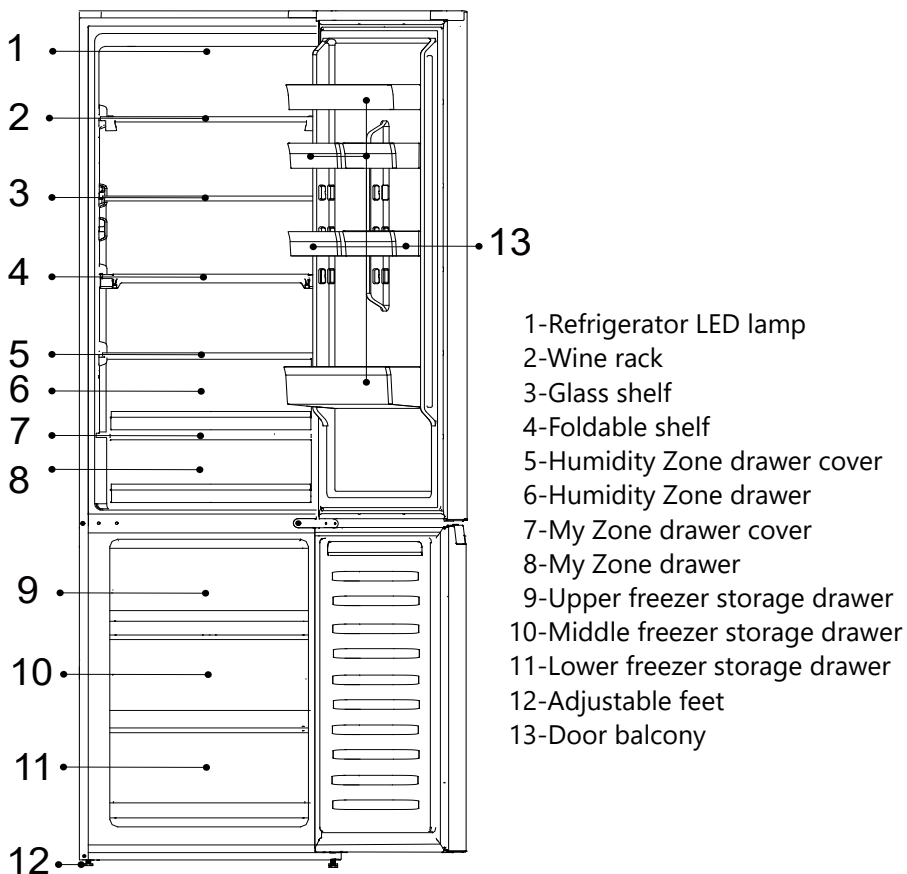
(HTW3618DN*, HTW3618CN* ,HTW3618EN*)



i NOTICE

Due to technical changes and different models, some of the illustrations in this manual may differ from model.

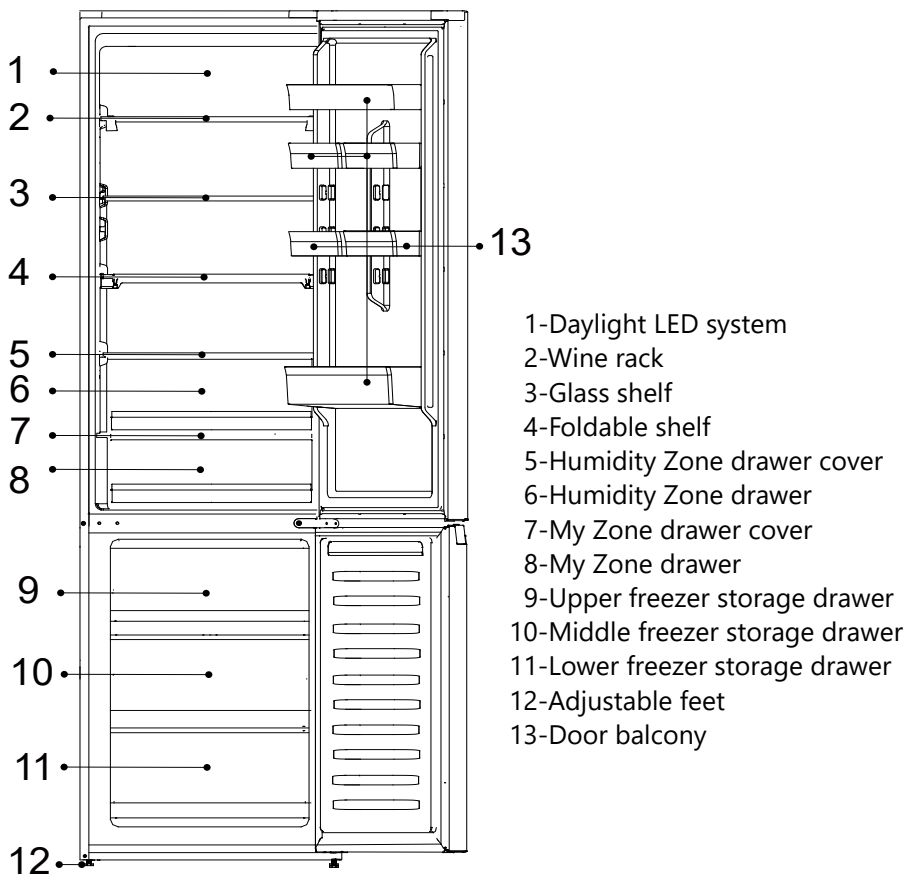
(HDPW5620DN*, HDPW5620CN*, HDPW5620AN*, HDPW5620BN*)



i NOTICE

Due to technical changes and different models, some of the illustrations in this manual may differ from model.

(HDPW7620AN*, HDPW7620AAN*)

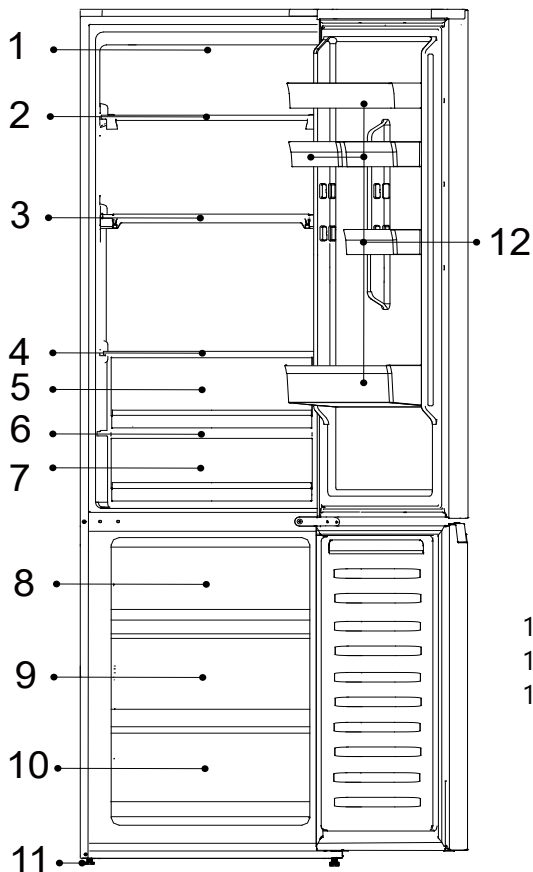


- 1-Daylight LED system
- 2-Wine rack
- 3-Glass shelf
- 4-Foldable shelf
- 5-Humidity Zone drawer cover
- 6-Humidity Zone drawer
- 7-My Zone drawer cover
- 8-My Zone drawer
- 9-Upper freezer storage drawer
- 10-Middle freezer storage drawer
- 11-Lower freezer storage drawer
- 12-Adjustable feet
- 13-Door balcony

i NOTICE

Due to technical changes and different models, some of the illustrations in this manual may differ from model.

(HDPW5618DN*, HDPW5618CN*)

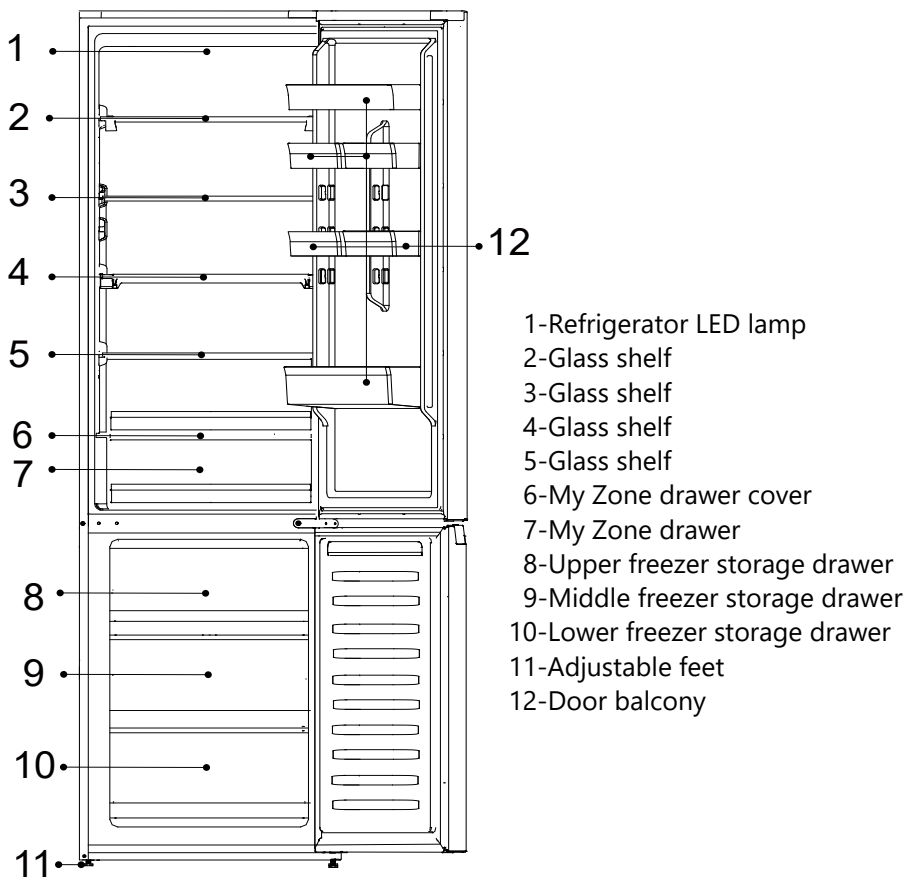


- 1-Refrigerator LED lamp
- 2-Wine rack
- 3-Foldable shelf
- 4-Humidity Zone drawer cover
- 5-Humidity Zone drawer
- 6-My Zone drawer cover
- 7-My Zone drawer
- 8-Upper freezer storage drawer
- 9-Middle freezer storage drawer
- 10-Lower freezer storage drawer
- 11-Adjustable feet
- 12-Door balcony

i NOTICE

Due to technical changes and different models, some of the illustrations in this manual may differ from model.

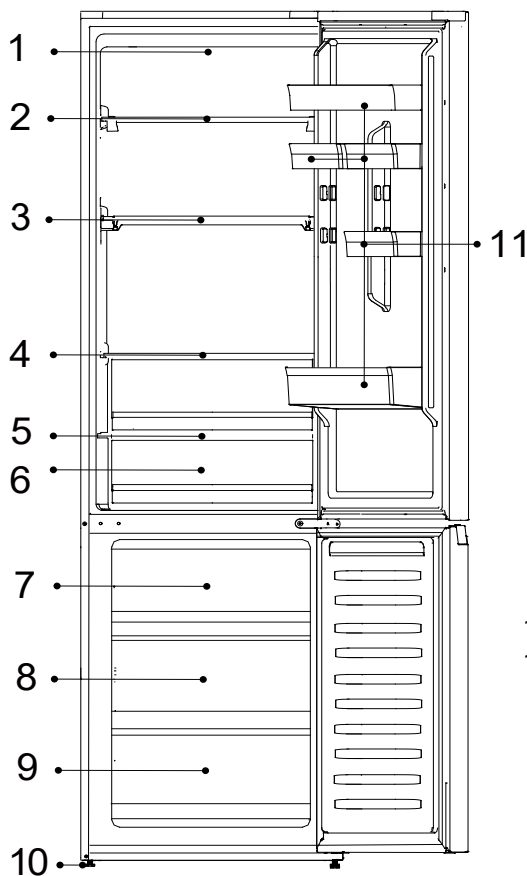
(HDPW3620DN*, HDPW3620CN*)



i NOTICE

Due to technical changes and different models, some of the illustrations in this manual may differ from model.

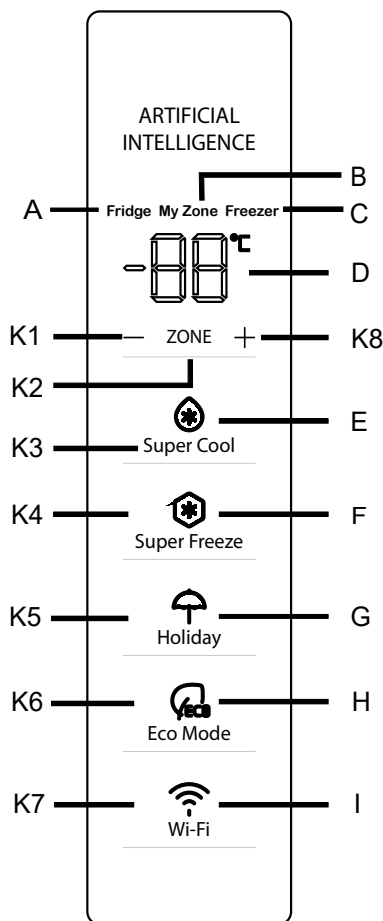
(HDPW3618DN*)



- 1-Refrigerator LED lamp
- 2-Glass shelf
- 3-Glass shelf
- 4-Glass shelf
- 5-My Zone drawer cover
- 6-My Zone drawer
- 7-Upper freezer storage drawer
- 8-Middle freezer storage drawer
- 9-Lower freezer storage drawer
- 10-Adjustable feet
- 11-Door balcony



Control panel



Indicators:

- A Fridge compartment
- B Chill compartment (My Zone)
- C Freezer compartment
- D Temperature display
- E Super Cool function
- F Super Freeze function
- G Holiday function
- H Eco Mode function
- I Wi-Fi function

Buttons:

- K1 Decrease temperature
- K2 Fridge, My Zone and Freezer selection
- K3 Super Cool function on/off
- K4 Super Freeze function on/off
- K5 Holiday function on/off
- K6 Eco Mode function on/off
- K7 Wi-Fi function on/off
- K8 Increase temperature

Before first use

Remove all packaging materials, keep them out of children's reach and dispose them in an environment friendly way.

Clean the inside and outside of the appliance as well as the interior and accessories with water and a mild detergent, and dry it well with soft cloth.

After the appliance has been levelled and cleaned, please wait for at least 2 hours before connecting it to the power supply. See Section **INSTALLATION**.

Precool the compartments at high settings before loading with food. The function Super Freeze helps to cool down the freezer compartment quickly

Sensor keys

The buttons on the control panel are sensor keys, which already respond when lightly touched with the finger.

Switch on /off the appliance

The appliance is in operation as soon as it is connected to the power supply.

When the appliance is powered on for the first time, temperature indicators "D" shows the presetting values (refer to the below Notice).



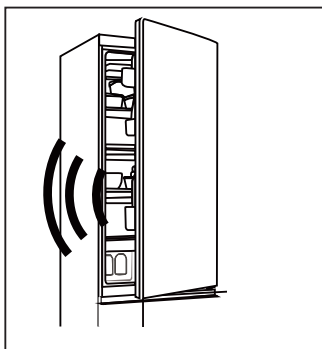
NOTICE

The appliance is preset to the recommended temperature of 5 °C (refrigerator) and -18 °C (freezer). My Zone temperature is preset to about 2 °C. These are the recommended settings. If desired, you can change these temperatures manually.

Door opening alarm

When the refrigerator door is open for more than 3 minutes, the door opening alarm will sound.

The alarm can be silenced by closing the door. If the door is open for more than 7 minutes, the light inside the refrigerator and control panel illumination will automatically turn off.



Adjust the temperature

The indoor temperatures are influenced by the following factors:

- ▶ Ambient temperature
- ▶ Frequency of door opening
- ▶ Amount of stored foods
- ▶ Installation of the appliance



Adjust the temperature for fridge

1. Press the button "K2" (Fridge/ (My Zone)/ Freezer selection) to select the Fridge compartment. Icon "A" (Fridge compartment) and "D" (Temperature display) are bright.

2. Press the button "K1/K8" to set the fridge temperature.

The temperature increases in sequences of 1°C, from a minimum of 2°C to a maximum of 8°C. The optimal temperature in the refrigerator is 5°C. Colder temperatures mean unnecessary energy consumption.

3. After about 5s, temperature icon "D" (Temperature display) will be bright permanently and the setting is confirmed.

Adjust the temperature for freezer

1. Press the button "K2" (Fridge/ (My Zone)/ Freezer selection) to select the freezer compartment. Icon "C" (Freezer compartment) and "D" (Temperature display) are bright.

2. Press the button "K1/K8" to set the freezer temperature.

The temperature increases in sequences of 1°C, from a minimum of -24°C to a maximum of -16°C. The optimal temperature in the refrigerator is -18. Colder temperatures mean unnecessary energy consumption.

3. After about 5s, temperature indicator "D" (Temperature display) will be bright permanently and the setting is confirmed.

Adjust the temperature for My Zone

The fridge compartment is equipped with a My Zone drawer. In accordance with the food storage demands, the most suitable temperature can be selected to get the optimal nutritional value of the foods.

1. Press the button "K2" (Fridge/ (My Zone)/ Freezer selection) to select the My Zone compartment. Icon "B" (My Zone compartment) and "D" (Temperature display) are bright.

2. Press the button "K1/K8" to set the My Zone temperature.

The temperature increases in sequences of 1°C, from a minimum of 0°C to a maximum of 5°C.

3. After about 5s, temperature icon "D" (Temperature display) will be bright permanently and the setting is confirmed.



NOTICE

1. You can set the temperature of the My Zone compartment in the middle level (2°C), in order to preserve your food in the optimal storage environment.
2. Due to different water contents of meat, some meat with higher moisture will be frozen at temperatures lower than 0°C, so "immediately cut" meat should be stored in My Zone drawer, with minimum temperature 0°C.
3. Cold-sensitive fruit like pineapples, avocados, bananas, grapefruits and vegetables such as potatoes, aubergines, beans, cucumbers, zucchini and tomatoes and cheese should not be stored in the My Zone drawer.
4. If the fridge temperature lower than My Zone temperature, it is normal the My Zone temperature lower than the My Zone setting temperature
5. If the room temperature is lower than 8°C, the temperature of My Zone drawer will always nearby 0°C.

NOTICE

After setting the temperature, if other buttons are pressed within 5 seconds, the current temperature setting will be confirmed immediately. If no button operation is performed within 5 seconds, the current set temperature is displayed until the screen extinguishes.

NOTICE

From the App it is possible to customize the temperature for fridge, freezer and My Zone. The temperature can be set with 1°C sensitivity.

Super Cool function

1. It is suggested to switch on the Super Cool function if larger quantity of food should be stored (for example after the purchase). The Super Cool function accelerates the cooling of fresh food and protects the food already stored from undesirable warming.
2. Press button "K3" or turn it on from the App, icon "E" (Super Cool function) is bright and the function is activated.



NOTICE

1. The appliance quits "Super Cool function" after entering "Super Cool function" for 6 hours or pressing button "K3" when the icon "E" (Super Cool function) is bright or turn it off from the App.
2. In the state of Super Cool, if the temperature of the fridge compartment is adjusted, icon "E" (Super Cool function) flashes to indicate that this operation cannot be done.

Super Freeze function

1. Fresh food should be frozen as quickly as possible to the core. This can preserve the best nutritional value, appearance and taste. The Super Freeze function accelerates the freezing of fresh food and protects the food already stored from undesirable warming. If you need to freeze a large amount of food at once, it is recommended to set the Super Freeze function on ahead for 24h before the usage of frozen room.
2. Press button "K4" (Super Freeze function setting) or turn it on from the App, the icon "F" (Super Freezer function) is bright and the function is activated.

NOTICE

1. The appliance quits "Super Freeze function" after entering "Super Freeze function" for 50 hours or pressing button "K4" when the icon "F" (Super Freeze function) is bright or turn it off from the App.
2. In the state of Super Freeze, if the temperature of the freezer compartment is adjusted, icon "F" (Super Freezer function) flashes to indicate that this operation cannot be done.

Holiday function

The Holiday function can be used to reduce the energy consumption of the appliance, when it is not used regularly. When the function is on, the fridge is turned off, whereas the freezer will keep working normally. The function sets the fridge temperature permanently to 17°C.

This allows to keep the door of the empty refrigerator closed without causing an odour or mold-during a long absence (e.g. during holiday). The freezer compartment is free for your setting.

1. Press button "K5" (Holiday function on/off) or select the function from the App, the icon "G" (Holiday function) is bright and the function is activated.
2. The function can be deactivated by pressing button "K5" (Holiday function on/off) again or by setting the fridge temperature or by performing any other setting, or turning it off from the App.



NOTICE

1. During the Holiday function, no food should be stored in the fridge compartment. The temperature of 17°C is too high for storing food.
2. When Holiady function is on, My Zone icon keeps off and fridge function is locked. If the temperature of the fridge compartment is adjusted, icon "G" (Holiday function) flashes to indicate that this operation cannot be done.

Eco Mode function

The Eco Mode can be activated to optimize the performance of the appliance, whereas obtaining the best food storage. If you do not have any special requirements, we recommend that you use Eco Mode function.

This mode the fridge temperature is 5°C, the freezer temperature is -18°C.


1. Press button "K6" (Eco Mode function on/off) or select the function from the App.
2. Icon "H" (Eco Mode function) is bright and the function is activated.

By repeating the above steps or selecting another function or turning off from the App, this function can be switched off again. The previously set cooling levels are restored.


NOTICE

During the Eco Mode function, if the temperature of the fridge/freezer compartment are adjusted, icon "H" (Eco Mode function) flashes to indicate that this operation cannot be done.


Step 1 Download the hOn-App from the stores.



Step 2 Create your account in the hOn-App or log in if you already have an account.



Step 3 Follow pairing instructions in the hOn-App.



Wi-Fi function

1. Follow in App instructions to configure the Wi-Fi.
2. Once the Wi-Fi is configured and the connection established, the Wi-Fi icon "I" is bright and fixed.
3. If the Wi-Fi has already been configured, it will automatically reconnect according to the configuration information if turns on the Wi-Fi.

NOTICE

1. To turn off the Wi-Fi, press Wi-Fi button "K7" and the Wi-Fi icon "I" turns off.
2. To turn on the Wi-Fi and start the configuration, press Wi-Fi button "K7" and the Wi-Fi icon "I" starts flashing slowly. If want to configure Wi-Fi function, press the button "K7" for 3 sec, the Wi-Fi icon flashes quickly and enters the configuration mode. If want to turn off the Wi-Fi function, press button "K7" once. The above steps are repeated.
3. If the product has been configured and the Wi-Fi function was turn off, the refrigerator will not enter the configuration mode after reconnecting the power.

NOTICE

1. This product is not intended for commercial use.
2. The Max RF Output Power: 2.4 GHz Wi-Fi: 16dBm;
3. Bluetooth LE: 5dBm; Bluetooth (BR/EDR): 10dBm.
4. Frequency band of operation: 2400-2483.5 MHz.



Storing into the refrigerator compartment

- Keep your fridge temperature below 5°C.
- Hot food must be cooled to room temperature before storing in the appliance.
- Foods stored in the refrigerator should be washed and dried before storing.
- Food to be stored should be properly sealed to avoid odor or taste alterations.
- Do not store excessive quantities of food. Leave spaces between foods to allow cold air flowing around them, for a better and more homogeneous cooling.
- Foods eaten daily should be stored at the front of the shelf.
- Leave a gap between foods and the inner walls, allowing air flowing. In any way, don't store foods against the rear wall: foods could freeze against the rear wall. Avoid direct contact of food (especially oily or acidic food) with the inner liner, as oil/acid can erode the inner liner. Clean away oily/acid dirt whenever it is found.
- Frozen food can be gently defrizzed in the refrigerator compartment. This saves energy.
- The ageing process of fruit and vegetables such as courgettes, melons, papaya, bananas, pineapples, etc. can be accelerated in the refrigerator. Therefore, it is not recommended to store them in the refrigerator. However, the ripening of strongly green fruits can be promoted for a certain period. Onions, garlic, ginger and other root vegetables should also be stored at room temperature.
- Unpleasant odours inside the fridge are a sign that something has spilled and cleaning is required. See Care And Cleaning.
- Different foods should be placed in different areas according to their properties.

Storage into the freezer compartment

- Keep the freezer temperature at -18°C.
- 24 hours before freezing, switch on the Super-Freeze function. For little quantities of food, 4-6 hours are sufficient.
- Hot food must be cooled to room temperature before storing in the freezer compartment.
- Food cut into small portions will freeze faster and be easier to defrost and cook. The recommended weight for each portion is less than 2.5 kg.
- It is better to pack food before putting it into the freezer. The outside of the packaging must be dry to avoid bags sticking together. Packaging materials should be odour-free, airtight, non-poisonous and nontoxic.
- In order to avoid expiration of storage periods, please note the freezing date, time limit and name of the food on the packaging according to the storage periods of different foods.



WARNING!

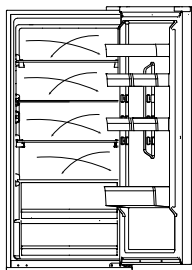
- ▶ Acid, alkali and salt etc. could erode the internal surface of the freezer.
- ▶ Do not place the food with these substances (e.g. sea fish) directly on the internal surface. Salt water in the freezer should be cleaned up immediately.
- ▶ Do not exceed the food storage time recommended by the manufacturers. Only take the required amount of food out of the freezer.
- ▶ Consume defrosted food quickly. Defrosted food cannot be re-frozen unless it is first cooked, otherwise it may be less edible.
- ▶ Do not load excessive quantities of fresh food in the freezer compartment. Refer to the freezing capacity of the freezer - See TECHNICAL DATA or data at the type plate.
- ▶ Food can be stored in the freezer at a temperature of at least -18°C for 2 to 12 months, depending on its properties (e.g. meat: 3-12 months, vegetables: 6-12 months)
- ▶ While freezing fresh food, avoid bringing them in contact with already frozen food. Risk of thawing!

When storing commercially frozen foods, please follow these guidelines:

- Always follow manufacturers' guidelines for the length of time you should store food for. Do not exceed these guidelines!
- Try to keep the length of time between purchase and storage as short as possible to preserve food quality.
- Buy frozen food, which have been stored at a temperature of -18°C or below.
- Avoid buying food which has ice or frost on the packaging - This indicates that the products might have been partially defrosted and refrozen at some point-temperature rising affects the quality of food.

i NOTICE

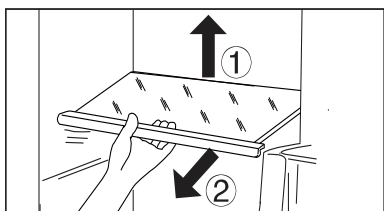
Due to different models, your product may not have all of the following features. Please refer to chapter Product Description.I.



Multi-air-flow

The refrigerator is equipped with a multi-air-flow system, with which cool air flows are located on every shelf level. This helps to maintain a uniform temperature to ensure that your food is kept fresher for longer.

Adjustable shelf



1. The height of the shelves can be adjusted to fit your storage needs.
2. To relocate a shelf, remove it first by uplifting its hind edge ① and pulling it out ②.
3. To reinstall it, put it on the lugs on both sides and push it to the most rearward position until the rear of the shelf is fixed inside the slots in the sides

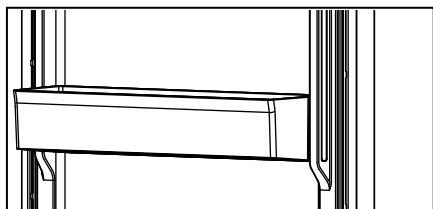
i NOTICE

Ensure that all ends of a shelf are level.

Removable door balcony

The door balcony can be removed for cleaning:

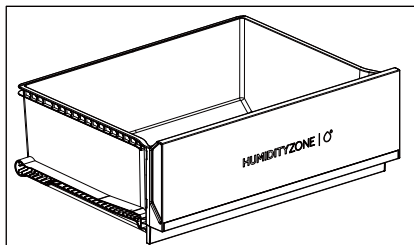
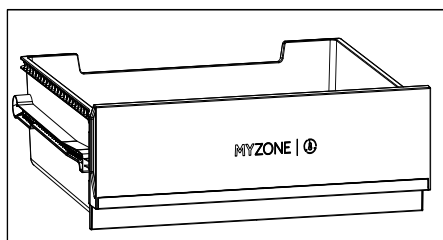
Place hands on each side of the balcony, lift it upwards (1) and pull it out (2). In order to insert the door balcony, the above steps are carried out in a reverse order.





My Zone drawer

For using and setting the My Zone compartment , please check section USE (My Zone)..



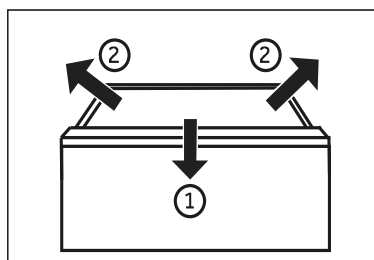
Humidity Zone drawer

In this compartment the humidity level is controlled automatically by the system and it is suitable to store fruits, vegetables, salads etc.

Removable drawer

To remove the drawer out of the fridge or freezer compartment, pull out to the maximum extent (1), lift and remove (2).

In order to insert the drawer, the above steps are carried out in a reverse order.



Freezer drawer

The freezer drawer can be extended straightly and completely. They are mounted on easy roll telescopic rail. So that you can store and remove the freezing good comfortably. Because of the automatic door closing mechanism, the handing is easy and you can save energy.



WARNING!

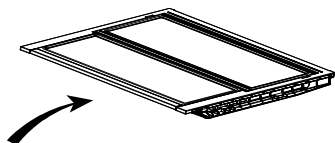
Do not overload the drawers: Maximum load of each drawer: 35kg!

The Light

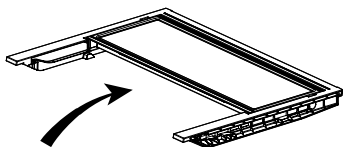
The LED interior light comes on when the door is open. The performance of the lights is not affected by any other appliances settings..

Foldable shelf

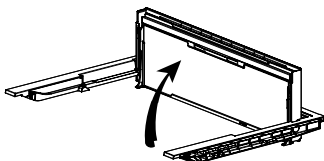
The foldable shelf will allow the user to put high bottles or items on the shelves. The shelf can be folded at the back and the available space of the lower shelf will be larger. The shelf can be folded following Step 1~3. If want to return to the original location, reverse the following procedures.



Step 1: Push the front of the shelf slowly to the end.



Step 2: Push the shelf upward slowly to its vertical location.



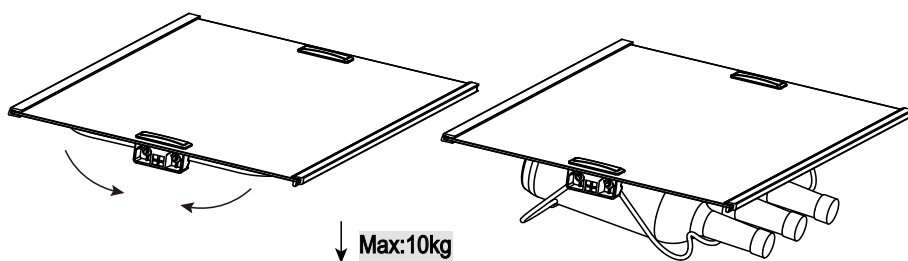
Step 3: The shelf is vertical. It will save space.

Foldable wine rack

For normal use

1. Pull down the brackets of the wine rack
2. Fit the bottles into the rack

When not use, the wine rack can be folded back in order to save space.





Energy saving tips

- ▶ Make sure the appliance is properly ventilated (see INSTALLATION).
- ▶ Do not install the appliance in direct sunlight or near the heat sources (eg. stoves, heaters).
- ▶ Avoid unnecessarily low temperature in the appliance. The energy consumption increases with the decreasing of the setting temperature in the appliance.
- ▶ Functions like SUPER FREEZE consume more energy.
- ▶ Allow warm food to cool down before placing it in the appliance.
- ▶ Open the appliance door as little and briefly as possible.
- ▶ Do not overfill the appliance to avoid obstructing the air flow.
- ▶ Avoid air within the food packaging.
- ▶ Keep door seals clean so that the door always closes correctly.
- ▶ Defroze frozen food in the fridge storage compartment or use the D-Frost function in the My Zone drawer.
- ▶ The most energy-saving configuration requires drawer, food box and shelves to be positioned in the appliance in a factory-fresh condition, and food to be placed without blocking the air outlet of the duct.



WARNING!

Disconnect the appliance from the power supply before cleaning.

Cleaning

Clean the appliance when only little or no food is stored.

The appliance should be cleaned every four weeks for good maintenance and to prevent bad stored food odors.



WARNING!

- ▶ Do not clean the appliance with hard brushes, wire brushes, detergent powder, petrol, amyl acetate, acetone and similar organic solutions, acid or alkaline solutions. Please clean with special refrigerator detergent to avoid damage.
- ▶ Do not spray or flush the appliance during cleaning.
- ▶ Do not use water spray or steam to clean the appliance.
- ▶ Do not clean the cold glass shelves with hot water. Sudden temperature change may cause the glass to break.
- ▶ Do not touch the inside surface of the freezer storage compartment, especially with wet hands, as your hands may freeze onto the surface.
- ▶ In case of heating check the condition of frozen goods.



- ▶ Always keep the door gasket clean.
- ▶ Clean the inside and housing of the appliance with a sponge dampened in warm water and neutral detergent.
- ▶ 1. Please scrub the interior and exterior of the refrigerator, including door sealing, door rack, glass shelves, boxes and so on, with a soft towel or sponge dipped in warm water (you may add neutral detergent into the warm water).
- ▶ 2. If there is liquid spilled, remove all the contaminated parts, directly rinse with the flow water, dry and place it back into the fridge.
- ▶ 3. If there is spilled cream (such as the cream, melting ice cream), please remove all the contaminated parts, put into the warm water with about 40 °C for some time, then rinse with the flow water, dry and place it back into the fridge.
- ▶ 4. In case some small part or component gets stuck inside of the fridge (between shelves or drawers), use small soft brush to release it. If you could not reach the part, please contact Haier service
- ▶ Rinse and dry with soft cloth.
- ▶ Do not clean any of the parts of the appliance in a dishwasher.
- ▶ Allow at least 5 minutes before restarting the appliance as frequent starting may damage the compressor.

Defrosting

The defrosting of the refrigerator and the freezer compartment are done automatically; no manual operation is needed.

Replacing the LED-lamps

**WARNING!**

Do not replace the LED lamp yourself, it must only be replaced by either the manufacturer or the authorised service agent.

The lamps adopts LED as its light source, featuring low energy consumption and long service life. If there is any abnormality, please contact the customer service. See CUSTOMER SERVICE.

Parameters of the lamps:

Part	LED lamp
Voltage	12V
Max Power	1.5W
LED Spec	White-2835
LED efficiency class	G
Usage temperature	-40~80°C

HDPW7620*,HTW7620*

Part	LED lamp
Voltage	12V
Max Power	8W
LED Spec	White-4014
LED efficiency class	G
Usage temperature	-30~60°C

Non-use for a longer period

If the appliance is not used for an extended period of time, and you will not use the Holiday-function for the refrigerator:

Take out the food.

Unplug the power cord.

Clean the appliance as described above.

Keep the doors open to prevent the creation of bad odours inside.

**NOTICE**

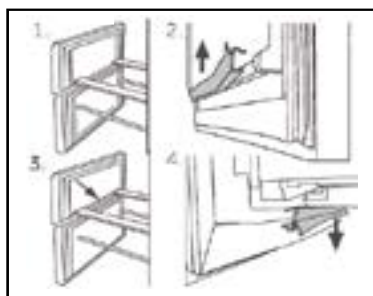
Turn the appliance off only if strictly necessary.

Removable auxiliary door gaskets

There are six auxiliary door gaskets on the upper and lower freezer drawers.

1. Locate the five indicated door gaskets on the upper and lower freezer drawers.
2. Make sure the bent slices of the gaskets point inwards while attaching.
3. Locate the lower gasket of the upper drawer as indicated.
4. Make sure the bent slice of this gasket points downwards while attaching.

You get these gaskets as well as the revolving door/drawer gaskets via the customer service (see warranty card).



Moving the appliance

1. Remove all food and unplug the appliance.
2. Secure shelves and other moveable parts in the fridge and the freezer with adhesive tape.
3. Do not tilt the refrigerator more than 45° to avoid damaging the refrigeration system.



WARNING!

- ▶ Do not lift the appliance by its handles.
- ▶ Never place the appliance horizontally on the ground.

Many occurring problems could be solved by yourself without specific expertise. In case of a problem please check all shown possibilities and follow below instructions before you contact an after sales service. See CUSTOMER SERVICE.



WARNING!

- ▶ Before maintenance, deactivate the appliance and disconnect the mains plug from the mains socket.
- ▶ Electrical equipment should be serviced only by qualified electrical experts, because improper repairs can cause considerable consequential damages.
- ▶ A damaged supply should only be replaced by the manufacturer, its service agent or similarly qualified persons in order to avoid a hazard.

Troubleshooting table

Problem	Possible Cause	Possible Solution
The compressor does not work.	Mains plug is not connected in the main socket.	Connect the main plug.
	The appliance is in the defrosting cycle.	This is normal for an automatic defrosting.
The appliance runs frequently or runs for a too long period of time.	The indoor or outdoor temperature is too high.	In this case, it is normal for the appliance to run longer.
	The appliance has been off power for a period of time.	Normally, it takes 8 to 12 hours for the appliance to cool down completely.
	A door/drawer of the appliance is not tightly closed.	Close the door/drawer and ensure the appliance is located on a levelled ground and there is no food or container holding the door.
	The door/drawer has been opened too frequently or for too long.	Do not open the door/drawer too frequently.
	The temperature setting for the freezer compartment is too low.	Set the temperature higher until a satisfactory fridge temperature is obtained. It takes 24 hours for the fridge temperature to become stable.
	The door/drawer gasket is dirty, worn, cracked or mismatched.	Clean the door/drawer gasket or replace them through the customer service.
	The required air circulation is not guaranteed.	Ensure adequate ventilation.



Problem	Possible Cause	Possible Solution
The inside of the refrigerator is dirty and/or with smell.	The inside of the refrigerator needs cleaning.	Clean the inside of the refrigerator.
	Food with strong odour is stored in the refrigerator.	Wrap the food thoroughly.
It is not cold enough inside the appliance.	The temperature is set too high.	Reset the temperature
	Too warm food have been stored.	Always cool down food before storing them.
	Too much food has been stored at one time.	Always store small quantities of food.
	The foods are too close to each other.	Leave a gap between several foods allowing air flowing.
	A door/drawer of the appliance is not tightly closed.	Close the door/drawer.
	The door/drawer has been opened too frequently or for too long.	Do not open the door/drawer too frequently.
It is too cold inside the appliance.	The temperature is set too low.	Reset the temperature.
	The Super Freeze function is activated or is running too long.	Switch off the Super Freeze function.
Moisture forming on the inside of the refrigerator compartment.	The climate is too warm and too damp.	Increase the temperature.
	A door/drawer of the appliance is not tightly closed.	Close the door/drawer.
	The door/drawer has been opened too frequently or for too long.	Do not open the door/drawer too frequently.
	Food containers or liquids are left open.	Let hot foods cool to room temperature and cover foods and liquids.
Moisture accumulates on the refrigerators outside surface or between the doors/door and drawer.	The climate is too warm and too damp.	This is normal in damp climate and will change when the humidity decreases.
	The door/drawer is not closed tightly.	Ensure that he door/drawer is tightly shut.
The icons on display flash in turn and cooling system does not work.	It is in demo mode	Refrigerator is plug in power Press and hold the "ZONE" button, and click the "Eco Mode" button five times, then the icons will stop flashing in turn.

Problem	Possible Cause	Possible Solution
Strong ice and frost in the freezer compartment.	The foods were not adequately packaged.	Always pack the foods well.
	A door/drawer of the appliance is not tightly closed.	Close the door/drawer.
	The door/drawer has been opened too frequently or for too long.	Do not open the door/drawer too frequently.
	The door/drawer gasket is dirty, worn, cracked or mismatched.	Clean the door/drawer gasket or replace them by new ones.
	Something on the inside prevents the door/drawer to close properly.	Reposition the shelves, door racks, or internal containers to allow the door/drawer to close.
The appliance makes abnormal sounds.	The appliance is not located on levelled ground.	Adjust the feet to level the appliance.
	The appliance touches some object around it.	Remove objects around the appliance.
A slight sound is to be heard similar to that of flowing water.	This is normal.	/
You will hear an alarm beep.	The fridge storage compartment door is open.	Close the door or silence the alarm manually.
You will hear a faint hum.	The anti-condensation system is working.	This prevents condensation and is normal.
The interior lighting or cooling system does not work.	Main plug is not connected in the main socket	Connect the main plug.
	The power supply is not intact.	Check the electrical supply to the room. Call the local electricity company!
	The LED-lamp is out of order.	Please call the service for changing the lamp.
The sides of the cabinet and door strip get warm.	This is normal.	/
No water is coming out of the water dispenser spout	Lock is not deactivated.	Deactivate the lock



Power interruption

- ▶ In the event of a power cut, food should remain safely cold for about 13 hours. Follow these tips during a prolonged power interruption, especially in summer.
- ▶ Open the door/drawer as few times as possible.
- ▶ Do not put additional food into the appliance during a power interruption.
- ▶ If prior notice of a power interruption is given and the interruption duration is longer than 13 hours, make some ice cubes and put them in a container on the top shelf of the refrigerator compartment.
- ▶ An inspection of the foods is required immediately after the interruption.
- ▶ As temperature in the refrigerator will rise during a power interruption or other failure, the storage period and edible quality of food will be reduced. Any food that defrosts should be either consumed, or cooked and refrozen (where suitable) soon afterwards in order to prevent health risks.



NOTICE

Memory function during power interruption

After the recovery of power, the appliance continues with the settings that were set before the power failure.

To contact the technical assistance, visit our website: <https://corporate.haier-europe.com/en/>

Under the section "website", choose the brand of your product and your country. You will be redirected to the specific website where you can find the telephone number and other ways to contact the technical assistance.

Unpacking



WARNING!

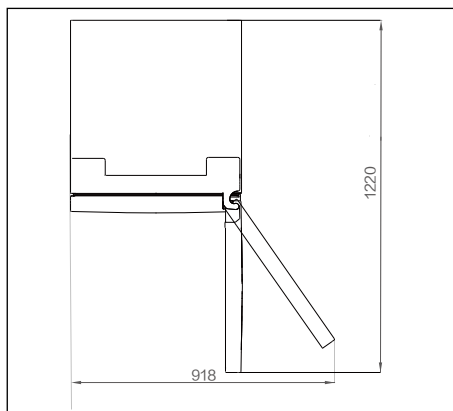
- ▶ The appliance is heavy. Always handle with at least two persons.
- ▶ Keep all packaging materials out of children's reach and dispose them in an environmentally friendly manner.
- ▶ Take the appliance out of the packaging.
- ▶ Remove all packaging materials.

Environmental conditions

The room temperature should always be between 10° C and 43° C, since it can influence the temperature inside the appliance and its energy consumption. Do not install the appliance near other heat-emitting appliances (ovens, refrigerators) without isolation.

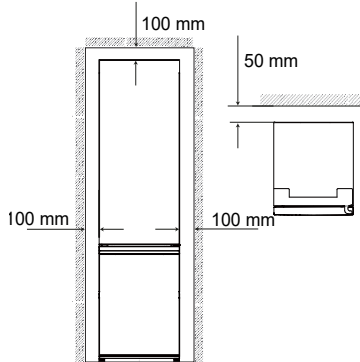
Space requirement

Required space when door is opened.



Ventilation cross-section

To achieve sufficient ventilation of the appliance for safety reasons, the information of the required ventilation cross sections must be observed.

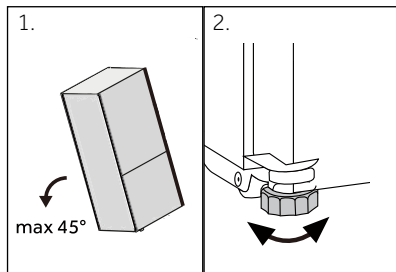


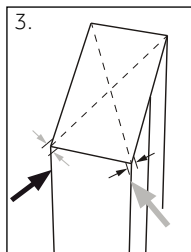
Aligning the appliance

The appliance should be placed on a flat and solid surface.

1. Tilt the refrigerator slightly backwards.
2. Set the feet to the desired level.

Make sure the distance to the wall on the hinge side is at least 100 mm for the door to open properly.



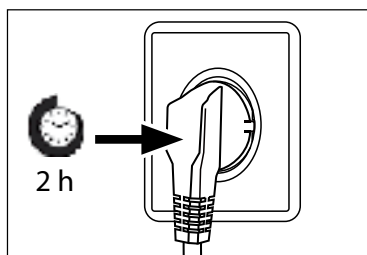


1. The stability can be checked by alternately bumping on the diagonals. The slightly swaying should be the same in both directions. Otherwise the frame can warp; possible leaking door seals are the result. A low tendency to the rear facilitates the closing of the doors.



NOTICE

For a free standing appliance: this refrigerating appliance is not intended to be used as a built-in appliance



Waiting time

To the maintenance-free lubrication oil is located in the capsule of the compressor. This oil can get through the closed pipe system during slanting transport. Before connecting the appliance to the power supply you have to wait at least 2 hours so that the oil runs back into the capsule.

Electrical connection

Before each connection check if:

- ▶ power supply, socket and fusing are appropriate to the rating plate.
- ▶ the power socket is earthed and no multi-plug or extension.
- ▶ the power plug and socket are strictly according.

Connect the plug to a properly installed household socket.



WARNING!

To avoid risks a damaged power cord must be replaced by the customer service (see warranty card).



Door Reversibility

Before connecting the appliance to the power supply, you should check whether the door swing must be changed from right (as delivered) to left, if this is required by the installation location and the usability.



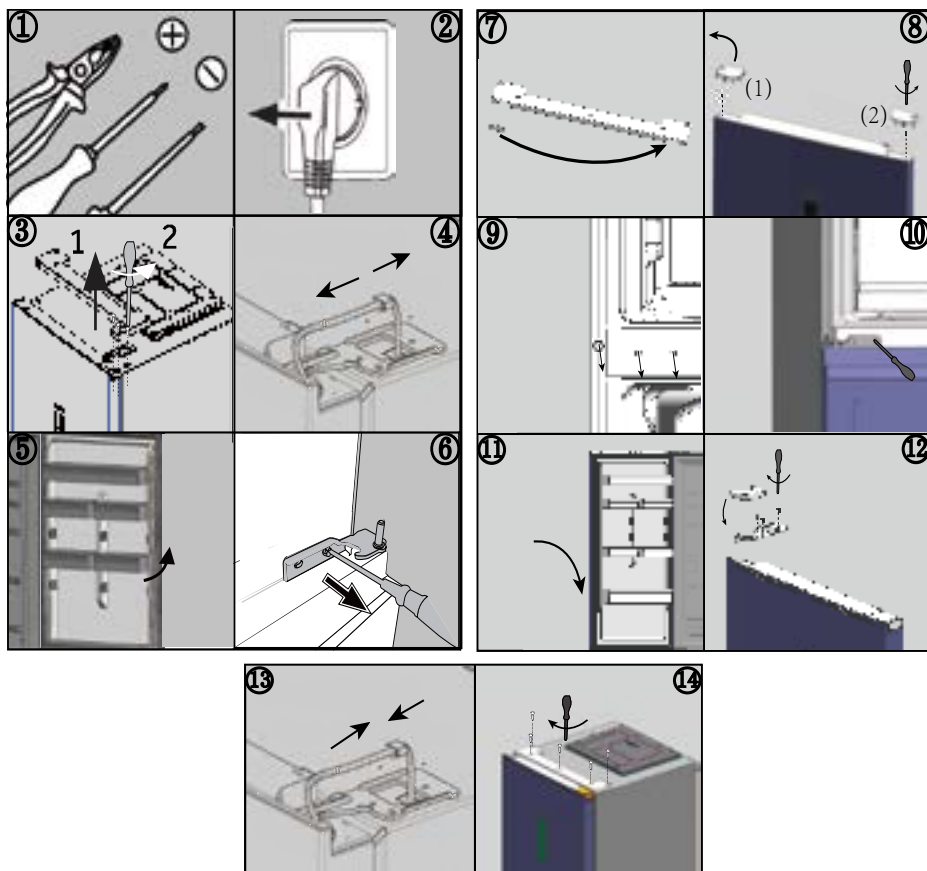
WARNING!

- ▶ The appliance is heavy. You need two persons to carry out the door reversibility.
- ▶ Before any operation, first unplug the appliance from the mains
- ▶ Do not tilt the appliance more than 45°C to prevent damage of the refrigeration system.

Assembly steps

1. Provide necessary tool.
2. Unplug the appliance.
3. Remove the upper hinge cover 1 and unscrew the upper hinge (three screws) on right side 2.
4. Unplug the connection cable
5. Lift the loose refrigerator door carefully off the middle hinge.
6. Remove the middle hinge.
7. Remove the small cover of the front panel from left to right side.
8. Turn the door upside down and unscrew the cover (1). Take out the new cover (2) from the necessary bag and screw them to opposite side.
9. Change the positions of the blanking plugs and the screw on the side.
10. Screw the middle hinge to the left side of the appliance. Pay attention to inverting the pivot of the middle hinge, ensuring that the side with the gasket is facing upwards
11. Lift the upper door carefully on the middle hinge. And be sure the pivot fits into the hinge barrel of the lower door.
12. Take out the new upper hinge and hinge cover from the accessory bag. Put the connection cable through the upper hinge and fix the upper hinge with three screws on left side of appliance. And the put the hinge cover over the hinge.
13. Plug in the connection cable.
14. Replace front panel and fix it with five screws.

After the change of the door, check if the door seals are located properly on the housing and all screws are tightened well.



Ambient temperatures

Extended temperate: this refrigerating appliance is intended to be used at ambient temperatures ranging from 10°C to 32°C

Temperate: this refrigerating appliance is intended to be used at ambient temperatures ranging from 16°C to 32°C;

Subtropical: this refrigerating appliance is intended to be used at ambient temperatures ranging from 16°C to 38°C;

Tropical: "this refrigerating appliance is intended to be used at ambient temperatures ranging from 16°C to 43°C.



Product parameters according to regulation (EU)2019/2016

Based on standard test results for 24 hours. Actual energy consumption will depend on how the appliance is used and where it is located

Model	HTW5618DN*	HTW5620DN*	HTW5618EN*
Type of refrigerating appliance	Refrigerator-freezer	Refrigerator-freezer	Refrigerator-freezer
Energy efficiency class	D	D	E
Annual energy consumption (kWh/annum)	217	226	271
Volume Refrigerator compartment(L)	201	255	201
Volume Freezer compartment(L)	125	125	125
Volume Chill compartment(L)	34	34	34
Freezing Class	4-star	4-star	4-star
Defrosting type	Auto-defrost	Auto-defrost	Auto-defrost
Temperature rise time(h)	13	13	11
Freezing capacity(kg/24h)	10.0	10.0	10.0
Climate class	SN.N.ST.T	SN.N.ST.T	SN.N.ST.T
Noise emission class and airborne acoustical noise emissions (dB(A) re 1 pW)	B(35)	B(35)	B(35)



Model	HTW5618CN*	HTW5620CN*	HTW5620EN*
Type of refrigerating appliance	Refrigerator-freezer	Refrigerator-freezer	Refrigerator-freezer
Energy efficiency class	C	C	E
Annual energy consumption (kWh/annum)	173	181	283
Volume Refrigerator compartment(L)	201	255	255
Volume Freezer compartment(L)	125	125	125
Volume Chill compartment(L)	34	34	34
Freezing Class	4-star	4-star	4-star
Defrosting type	Auto-defrost	Auto-defrost	Auto-defrost
Temperature rise time(h)	13	13	11
Freezing capacity(kg/24h)	10.0	10.0	10.0
Climate class	SN.N.ST.T	SN.N.ST.T	SN.N.ST.T
Noise emission class and airborne acoustical noise emissions (dB(A) re 1 pW)	B(35)	B(35)	B(35)



Model	HDPW5618DN*	HDPW5620DN* HDPW3620DN*	HTW7620CN*
Type of refrigerating appliance	Refrigerator-freezer	Refrigerator-freezer	Refrigerator-freezer
Energy efficiency class	D	D	C
Annual energy consumption (kWh/annum)	214	220	181
Volume Refrigerator compartment(L)	201	255	255
Volume Freezer compartment(L)	117	117	125
Volume Chill compartment(L)	34	34	34
Freezing Class	4-star	4-star	4-star
Defrosting type	Auto-defrost	Auto-defrost	Auto-defrost
Temperature rise time(h)	13	13	13
Freezing capacity(kg/24h)	10.0	10.0	10.0
Climate class	SN.N.ST.T	SN.N.ST.T	SN.N.ST.T
Noise emission class and airborne acoustical noise emissions (dB(A) re 1 pW)	B(35)	B(35)	B(35)



Model	HDPW3618DN*	HDPW3620CN*	HTW3620DN*
Type of refrigerating appliance	Refrigerator-freezer	Refrigerator-freezer	Refrigerator-freezer
Energy efficiency class	D	C	D
Annual energy consumption (kWh/annum)	214	176	226
Volume Refrigerator compartment(L)	201	255	255
Volume Freezer compartment(L)	117	117	125
Volume Chill compartment(L)	34	34	34
Freezing Class	4-star	4-star	4-star
Defrosting type	Auto-defrost	Auto-defrost	Auto-defrost
Temperature rise time(h)	13	13	13
Freezing capacity(kg/24h)	10.0	10.0	10.0
Climate class	SN.N.ST.T	SN.N.ST.T	SN.N.ST.T
Noise emission class and airborne acoustical noise emissions (dB(A) re 1 pW)	B(35)	B(35)	B(35)



Model	HDPW5618CN*	HDPW5620CN*	HDPW5620AN* HDPW7620AN*
Type of refrigerating appliance	Refrigerator-freezer	Refrigerator-freezer	Refrigerator-freezer
Energy efficiency class	C	C	A
Annual energy consumption (kWh/annum)	171	176	114
Volume Refrigerator compartment(L)	201	255	255
Volume Freezer compartment(L)	117	117	120
Volume Chill compartment(L)	34	34	34
Freezing Class	4-star	4-star	4-star
Defrosting type	Auto-defrost	Auto-defrost	Auto-defrost
Temperature rise time(h)	13	13	16
Freezing capacity(kg/24h)	10.0	10.0	10.0
Climate class	SN.N.ST.T	SN.N.ST.T	SN.N.ST.T
Noise emission class and airborne acoustical noise emissions (dB(A) re 1 pW)	B(35)	B(35)	B(35)



Model	HDPW5620BN*	HTW7620DN*	HDPW7620AAN*
Type of refrigerating appliance	Refrigerator-freezer	Refrigerator-freezer	Refrigerator-freezer
Energy efficiency class	B	D	A
Annual energy consumption (kWh/annum)	142	226	92
Volume Refrigerator compartment(L)	255	255	255
Volume Freezer compartment(L)	120	125	120
Volume Chill compartment(L)	34	34	34
Freezing Class	4-star	4-star	4-star
Defrosting type	Auto-defrost	Auto-defrost	Auto-defrost
Temperature rise time(h)	13	13	16
Freezing capacity(kg/24h)	10.0	10.0	12.0
Climate class	SN.N.ST.T	SN.N.ST.T	SN.N.ST.T
Noise emission class and airborne acoustical noise emissions (dB(A) re 1 pW)	B(35)	B(35)	B(35)



Model	HTW5618DW*		
Type of refrigerating appliance	Refrigerator-freezer		
Energy efficiency class	D		
Annual energy consumption (kWh/annum)	216		
Volume Refrigerator compartment(L)	198		
Volume Freezer compartment(L)	125		
Volume Chill compartment(L)	34		
Freezing Class	4-star		
Defrosting type	Auto-defrost		
Temperature rise time(h)	13		
Freezing capacity(kg/24h)	10.0		
Climate class	SN.N.ST.T		
Noise emission class and airborne acoustical noise emissions (dB(A) re 1 pW)	B(35)		



Additional technical data

Model	HTW5618DN*	HTW5618EN*	HTW5620DN*
Total volume(L)	360	360	414
Voltage/Frequency	220~240V/50Hz	220~240V/50Hz	220~240V/50Hz
input current(A)	1.4	1.4	1.4
Main fuse(A)	16	16	16
Refrigerant	R600a(53g)	R600a(53g)	R600a(53g)
Dimensions (W/D/H in mm)	595*667*1850	595*667*1850	595*667*2050

Model	HTW5618CN*	HTW5620CN*	HTW5620EN*
Total volume(L)	360	414	414
Voltage/Frequency	220~240V/50Hz	220~240V/50Hz	220~240V/50Hz
input current(A)	1.4	1.4	1.4
Main fuse(A)	15	15	16
Refrigerant	R600a(50g)	R600a(50g)	R600a(53g)
Dimensions (W/D/H in mm)	595*667*1850	595*667*2050	595*667*2050

Model	HDPW5618DN*	HDPW5620DN*	HDPW3620DN*
Total volume(L)	352	406	406
Voltage/ Frequency	220~240V/50Hz	220~240V/50Hz	220~240V/50Hz
input current(A)	1.4	1.4	1.4
Main fuse(A)	16	16	16
Refrigerant	R600a(53g)	R600a(53g)	R600a(53g)
Dimensions (W/D/H in mm)	595*667*1850	595*667*2050	595*667*2050

Model	HDPW5618CN*	HDPW5620CN*	HDPW5620AN*
Total volume(L)	352	406	409
Voltage/ Frequency	220~240V/50Hz	220~240V/50Hz	220~240V/50Hz
input current(A)	1.4	1.4	1.4
Main fuse(A)	15	15	16
Refrigerant	R600a(50g)	R600a(50g)	R600a(50g)
Dimensions (W/D/H in mm)	595*667*1850	595*667*2050	595*667*2050



Additional technical data

Model	HDPW3618DN*	HDPW3620CN*	HTW3620DN*
Total volume(L)	352	406	414
Voltage/Frequency	220~240V/50Hz	220~240V/50Hz	220~240V/50Hz
input current(A)	1.4	1.4	1.4
Main fuse(A)	16	15	16
Refrigerant	R600a(53g)	R600a(50g)	R600a(53g)
Dimensions (W/D/H in mm)	595*667*1850	595*667*2050	595*667*2050

Model	HDPW7620AAN*	HDPW5620BN*	HDPW7620AN*
Total volume(L)	409	409	409
Voltage/Frequency	220~240V/50Hz	220~240V/50Hz	220~240V/50Hz
input current(A)	1.4	1.4	1.4
Main fuse(A)	16	16	16
Refrigerant	R600a(55g)	R600a(50g)	R600a(50g)
Dimensions (W/D/H in mm)	595*667*2050	595*667*2050	595*667*2050

**Additional technical data**

Model	HTW7620DN*	HTW7620CN*	HTW5618DW*
Total volume(L)	414	414	357
Voltage/Frequency	220~240V/50Hz	220~240V/50Hz	220~240V/50Hz
input current(A)	1.4	1.4	1.4
Main fuse(A)	16	15	16
Refrigerant	R600a(53g)	R600a(50g)	R600a(53g)
Dimensions (W/D/H in mm)	595*667*2050	595*667*2050	595*667*1850



We recommend our Haier Customer Service and the use of original spare parts. If you have a problem with your appliance, please first check section TROUBLE-SHOOTING.

If you cannot find a solution there, please contact

- ▶ your local dealer or
- ▶ our European Call Service-Center (see listed phone numbers below) or
- ▶ the Service & Support area at www.haier.com where you can activate the service claim and also find FAQs.

To contact our Service, ensure that you have the following data available. The information can be found on the rating plate.

Model _____

Serial No. _____

Also check the Warranty Card supplied with the product in case of warranty.

European Call Service-Center		
Country*	Phone number	Costs
Haier Italy (IT)	199 100 912	
Haier Spain (ES)	902 509 123	
Haier Germany (DE)	0180 5 39 39 99	<ul style="list-style-type: none"> • 14 Ct/Min Landline • max 42 Ct/Min Mobile
Haier Austria (AT)	0820 001 205	<ul style="list-style-type: none"> • 14,53 Ct/Min Landline • max 20 Ct/Min all others
Haier United Kingdom (UK)	0333 003 8122	
Haier France (FR)	0980 406 409	



* For other countries please refer to www.haier.com

Haier Europe Trading S.r.l

Branch UK

Westgate House, Westgate, Ealing

London, W5 1YY

*Duration of the guarantee of the refrigerating appliance:

Minimum guarantee is: 2 years for EU Countries, 3 years for Turkey, 1 year for UK, 1 year for Russia, 3 years for Sweden, 2 years for Serbia, 5 years for Norway, 1 year for Morocco, 6 months for Algeria, Tunisia no legal warranty required.

*The period of spare parts for the repair of the appliance:

Thermostats, temperature sensors, printed circuit boards and light sources are available for a minimum period of seven years after placing the last unit of the model on the market.

Door handles, door hinges, trays and baskets for a minimum period of seven years and door gaskets for a minimum period of 10 year, after placing the last unit of the model on the market.

*For further information about the product, please consult <https://eprel.ec.europa.eu/> or scan the QR on the energy label supplied with the appliance.

**5 Информация
за безопасност**

Преди първоначална употреба 6

Монтиране 6

Ежедневна употреба 7

10 Предназначение**11 Описание на продукта****22 Панел за управление****23 Употреба**

Регулиране на температурата на хладилника 24

Регулиране на температурата на фризера 24

Регулиране на температурата на „My Zone“ 24

Функция „Super Cool“ 25

Функция „Super Freeze“ 26

31 Оборудване**35 Съвети за пестене
на енергия****36 Грижа и почистване****39 Отстраняване
на неизправности****43 Монтиране****47 Технически данни****58 Обслужване
на клиенти**

Моля, щракнете върху
съдържанието, за да видите
подробна информация.

Благодарим Ви, че закупихте продукт на Haier.

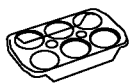
Моля, прочетете внимателно тези инструкции, преди да използвате този уред. Инструкциите съдържат важна информация, която ще Ви помогне да използвате уреда по възможно най-пълноценен начин и да се уверите, че той ще бъде монтиран, използван, и поддържан правилно и безопасно.

Съхранявайте това ръководство на удобно място, за да можете по всяко време да направите справка относно безопасното и правилно използване на уреда.

Ако продадете, подарите или оставите уреда в старото си жилище, когато се преместите, моля, предайте и това ръководство на новия собственик, за да може той да се запознае с уреда и с предупрежденията за безопасност.

Принадлежности

Проверете дали принадлежностите и книжните материали са в съответствие с този списък:



Поставка за яйца



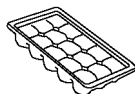
Енергиен етикет



Гаранционна карта



Ръководство за потребителя



Форма за лед



Панти на вратите



Капак на панти



Вложка на капачка

**ПРЕДУПРЕЖДЕНИЕ – Важна информация за безопасност****ЗАБЕЛЕЖКА – Обща информация и съвети****Информация за околната среда****Обезвреждане**

Помогнете за опазването на околната среда и човешкото здраве. Поставете опаковъчните материали в подходящите контейнери, за да бъдат рециклирани. Помогнете за рециклирането на отпадъци от електрически и електронни уреди. Уреди, обозначени с този символ, не бива да бъдат изхвърляни заедно с битовите отпадъци. Върнете продукта в местното съоръжение за рециклиране или се свържете с общинската служба.

**ПРЕДУПРЕЖДЕНИЕ!**

Опасност от нараняване или задушаване!

Хладилните агенти и газовете трябва да се обезвреждат по професионален начин. Уверете, че тръбите на охладителната верига не са повредени, преди да ги изхвърлите по подходящ начин. Изключете уреда от захранването. Отрежете захранващия кабел и го изхвърлете. Отстранете тавите и чекмеджетата, както и уплътненията на вратата и механизма за затварянето ѝ, за да предотвратите затварянето на деца и домашни любимци в уреда.

**Преди да включите уреда за първи път,
прочетете следните съвети за безопасност!:**



ПРЕДУПРЕЖДЕНИЕ!

Преди първоначална употреба

- ▶ Уверете се, че няма транспортни повреди.
- ▶ Отстранете всички опаковъчни материали и ги оставете на място, недостъпно за деца.
- ▶ Изчакайте поне два часа, преди да монтирате уреда, за да сте сигурни, че охладителната верига е напълно ефективна.
- ▶ За преместването на уреда са нужни поне двама души, защото е тежък.

Монтиране

- ▶ Уредът трябва да бъде поставен на място с добра вентилация. Осигурете пространство от най-малко 10 см над уреда и около уреда.
- ▶ Никога не поставяйте уреда на влажно място или на място, където има опасност да бъде напръскан с вода. Петна и пръски вода трябва да се почистват и подсушават с чиста мека кърпа.
- ▶ Не поставяйте уреда на пряка слънчева светлина или в близост до източници на топлина (напр. печки, нагреватели).
- ▶ Монтирайте и подравнете уреда на място, подходящо за неговия размер и употреба.
- ▶ Поддържайте вентилационните отвори на уреда или на вградената конструкция свободни от препятствия.
- ▶ Уверете се, че електрическата информация на табелката с данни съответства на захранването. Ако не съответства, обърнете се към електротехник.
- ▶ Уредът работи при захранване 220 – 240 VAC/50 Hz. Необичайни колебания в електрическото напрежение могат да доведат до неуспешно стартиране на уреда, да повредят системата за управление на температурата или компресора или да причинят необичаен шум при работа. В такъв случай трябва да се монтира автоматичен регулатор.
- ▶ Не използвайте разклонители и удължители.
- ▶ Не разполагайте преносими разклонители или преносими източници на захранване в задната част на уреда.
- ▶ Уверете се, че захранващият кабел не е заклещен под хладилника. Не стъпвайте върху захранващия кабел.



ПРЕДУПРЕЖДЕНИЕ!

- ▶ Използвайте отделен заземен контакт за захранването, който е леснодостъпен. Уредът трябва да бъде заземен. Само за Обединеното кралство: Захранващият кабел на уреда е снабден с троен (заземяващ) щепсел, който отговаря на стандартен троен (заземен) контакт. В никакъв случай не режете и не демонтирайте третия (заземяващ) щифт. След монтирането на уреда до щепсела трябва да има достъп.
- ▶ Не причинявайте повреди на охладителната верига.

Ежедневна употреба

- ▶ Този уред може да се използва от деца над 8-годишна възраст и от лица с намалени физически, сетивни или умствени способности или липса на опит и познания, ако се наблюдават или са инструктирани за използването на уреда по безопасен начин и разбират свързаните с това опасности.
- ▶ Деца на възраст от 3 до 8 години могат да товарят и разтоварват, но не могат да почистват или монтират хладилни уреди.
- ▶ Деца под 3-годишна възраст трябва да се пазят далеч от уреда, с изключение на случаите, когато са под постоянен надзор.
- ▶ Децата не бива да използват уреда за игра.
- ▶ Ако в близост до уреда изтича охладителен газ или друг запалим газ, изключете вентила на изтичащия газ, отворете вратите и прозорците и не включвайте и не изключвайте захранващите кабели на хладилника или на друг уред.
- ▶ Обърнете внимание, че уредът е настроен за работа в определен диапазон на температурата на околната среда между 10 и 43°C. Уредът може да не работи правилно, ако е оставен за дълъг период при температура над или под посочения диапазон.
- ▶ Не поставяйте нестабилни предмети (тежки предмети, съдове, пълни с вода) върху хладилника, за да избегнете нараняване, причинено от падане или токов удар при контакт с вода.
- ▶ Не дърпайте рафтовете на вратата. Вратата може да бъде издърпана под наклон, поставката за бутилка може да бъде изтеглена или уредът може да се събори.
- ▶ Отваряйте и затваряйте вратите само посредством дръжките. Пролуката между вратите и между вратите и шкафа е много тясна. Не поставяйте ръцете си в тези зони, за да избегнете прищипване на пръстите. Отваряйте или затваряйте вратите на хладилника само когато в обсега на движението на вратата няма деца.



ПРЕДУПРЕЖДЕНИЕ!

- ▶ Не съхранявайте и не използвайте запалими, експлозивни или корозивни материали в уреда или в близост до него.
- ▶ Не съхранявайте лекарства, бактерии или химически агенти в уреда. Това е домакински уред. Не се препоръчва да съхранявате материали, които изискват строги температури.
- ▶ Никога във фризера не съхранявайте течности в бутилки или консерви (освен високоалкохолни спиртни напитки), особено газирани напитки, тъй като те ще се спукат по време на замразяването.
- ▶ Проверете състоянието на храната, ако във фризера е настъпило затопляне.
- ▶ Не задавайте излишно ниска температура в хладилното отделение. При високи настройки могат да възникнат минусови температури. Внимание: Бутилките могат да се пръснат
- ▶ Не докосвайте замразени продукти с мокри ръце (носете ръкавици). В никакъв случай не яжте ледени близалки веднага след изваждането им от фризерното отделение. Съществува риск от измръзване или образуване на мехури. ПЪРВА помощ: незабавно поставете под течаща студена вода. Не дърпайте!
- ▶ Не докосвайте вътрешната повърхност на отделението за съхранение на фризера, когато уредът работи, особено с мокри ръце, тъй като ръцете ви могат да замръзнат върху повърхността.
- ▶ Изключете уреда от електрическата мрежа в случай на прекъсване на захранването или преди почистване. Изчакайте поне 7 минути, преди да включите отново уреда, тъй като честото стартиране може да повреди компресора.
- ▶ Не използвайте електрически уреди в отделенията за съхранение на храна на уреда, освен ако не са от вид, препоръчан от производителя. Поддръжка/почистване
- ▶ Ако почистване и поддръжка се извършва от деца, уверете се, че те са под надзор.
- ▶ Изключете уреда от електрическото захранване, преди да предприемете каквато и да е рутинна поддръжка. Изчакайте поне 5 минути, преди да включите отново уреда, тъй като честото стартиране може да повреди компресора.



ПРЕДУПРЕЖДЕНИЕ!

- ▶ При изключване на уреда хващайте щепсела, а не кабела.
- ▶ Не почиствайте уреда с твърди четки, телени четки, прахообразни препарати, бензин, амилацетат, ацетон или подобни органични разтвори, киселинни или алкални разтвори. Моля, почиствайте със специален препарат за хладилник, за да избегнете повреди.
- ▶ Не стържете скреж и лед с остри предмети. Не използвайте спрейове, електрически нагреватели като сешоари, парочистачки или други източници на топлина, за да се избегне повреда на пластмасовите части.
- ▶ Не използвайте механични устройства или други средства за ускоряване процеса на размразяване, различни от препоръчаните от производителя.
- ▶ Ако хранващият кабел се повреди, той трябва да бъде заменен от производителя, негов обслужващ представител или лице с подобна квалификация, за да се избегне потенциална опасност.
- ▶ Не се опитвайте сами да ремонтирате, разглобявате или модифицирате уреда. При необходимост от ремонт се свържете с нашия отдел за обслужване на клиенти.
- ▶ Отстранявайте прахта по гърба на уреда поне веднъж годишно, за да се избегне пожар, както и повишен разход на енергия.
- ▶ Не пръскайте и не плискайте уреда по време на почистване.
- ▶ Не използвайте водна струя или пара за почистване на уреда.
- ▶ Не почиствайте студените стъклени рафтове с гореща вода. Рязката промяна в температурата може да причини напукване на стъклото.

Информация за хладилния газ



ПРЕДУПРЕЖДЕНИЕ!

Уредът съдържа запалимия хладилен агент ИЗОБУТАН (R600a). Уверете се, че охладителната верига не е била повредена по време на транспортирането или монтажа. Течът на хладилен агент може да причини нараняване на очите или възпламеняване. При възникване на повреда се пазете от открити източниците на огън, проветрете добре помещението, не включвайте и не изключвайте хранващите кабели на уреда или на друг уред. Информирайте центъра за обслужване на клиенти.

В случай че в очите Ви попадне хладилен агент, изплакнете веднага с течаща вода и незабавно се свържете с офталмолог.



Предназначение

Този уред е предназначен за охлаждане и замразяване на храни. Този уред е предназначен единствено за употреба в домакинството и в други подобни пространства, като кухненски помещения за персонал в магазини, офиси и други работни пространства, земеделски стопанства и за клиенти в хотели, мотели и други помещения за настаняване, като полупансионни и фирми за кетъринг. Не е предназначен за търговска или промишлена употреба.

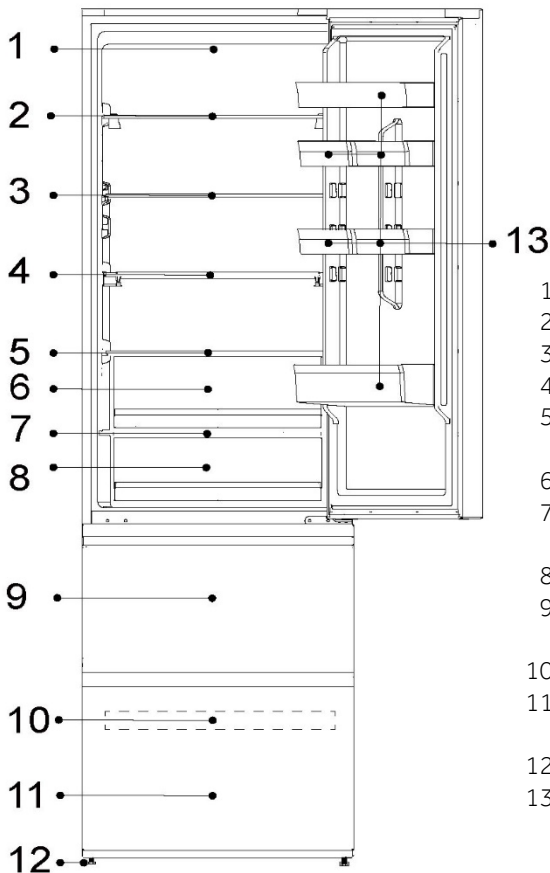
Не е разрешено извършването на промени или модификации на устройството. Използването не по предназначение може да доведе до опасности и загуба на гаранционно покритие.

Стандарти и директиви **CE**

Този продукт отговаря на изискванията на всички приложими директиви на ЕО със съответстващите хармонизирани стандарти, които предвиждат маркировка „CE“.

i ЗАБЕЛЕЖКА

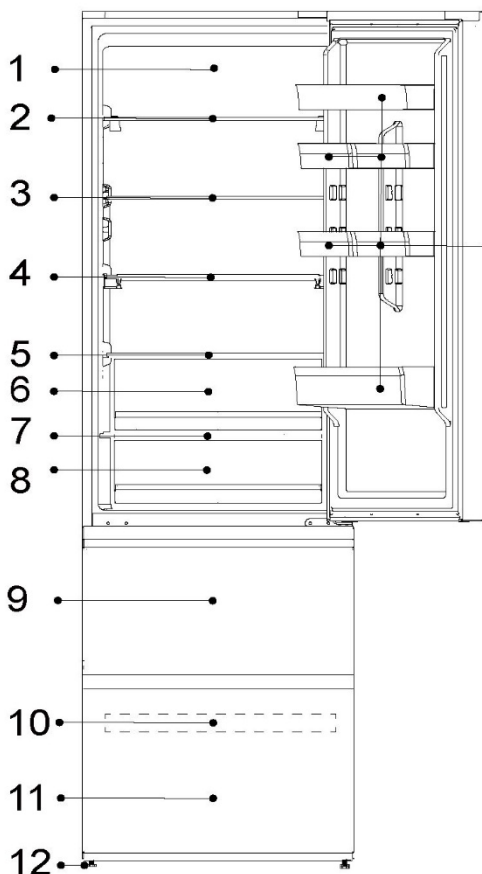
Поради технически промени и наличие на различни модели, някои от илюстрациите в това ръководство може да се различават от Вашия модел. (HTW5620DN*, HTW5620CN*, HTW5620EN*)



- 1-LED лампа за хладилник
- 2-Винен рафт
- 3-Съклен рафт
- 4-Сгъваем рафт
- 5-Капак на чекмеджето „Humidity Zone“
- 6-Чекмедже „Humidity Zone“
- 7-Капак на чекмеджето „My Zone“
- 8-Чекмедже „My Zone“
- 9-Горно чекмедже за съхранение на фризера
- 10-Тава на фризера
- 11-Долно чекмедже за съхранение на фризера
- 12-Регулируеми крачета
- 13-Рафт на вратата

i ЗАБЕЛЕЖКА

Поради технически промени и наличие на различни модели, някои от илюстрациите в това ръководство може да се различават от Вашия модел. (HTW7620AN*, HTW7620CN*, HTW7620DN*)



- 1-LED система за дневна светлина
- 2-Винен рафт
- 3-Съклен рафт
- 4-Сгъваем рафт
- 5-Капак на чекмеджето „Humidity Zone“
- 6-Чекмедже „Humidity Zone“
- 7-Капак на чекмеджето „My Zone“
- 8-Чекмедже „My Zone“
- 9-Горно чекмедже за съхранение на фризера
- 10-Тава на фризера
- 11-Долно чекмедже за съхранение на фризера
- 12-Регулируеми крачета
- 13-Рафт на вратата

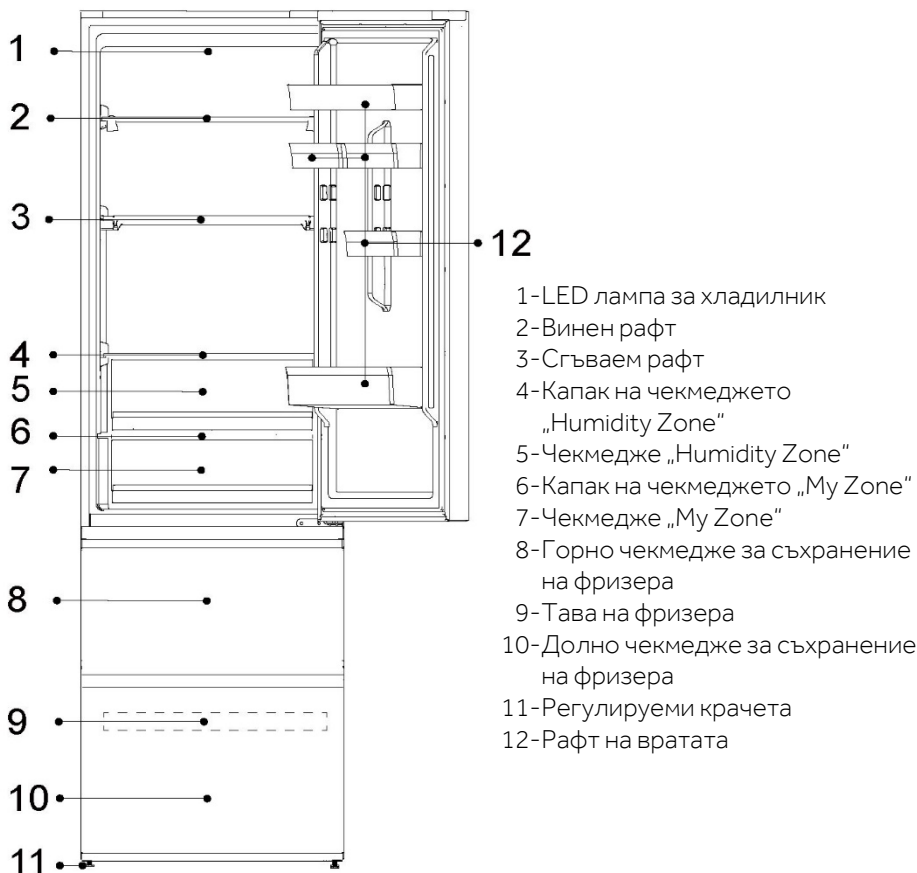
i ЗАБЕЛЕЖКА

Поради технически промени и наличие на различни модели, някои от илюстрациите в това ръководство може да се различават от Вашия модел. (HTW5618DW*)



i ЗАБЕЛЕЖКА

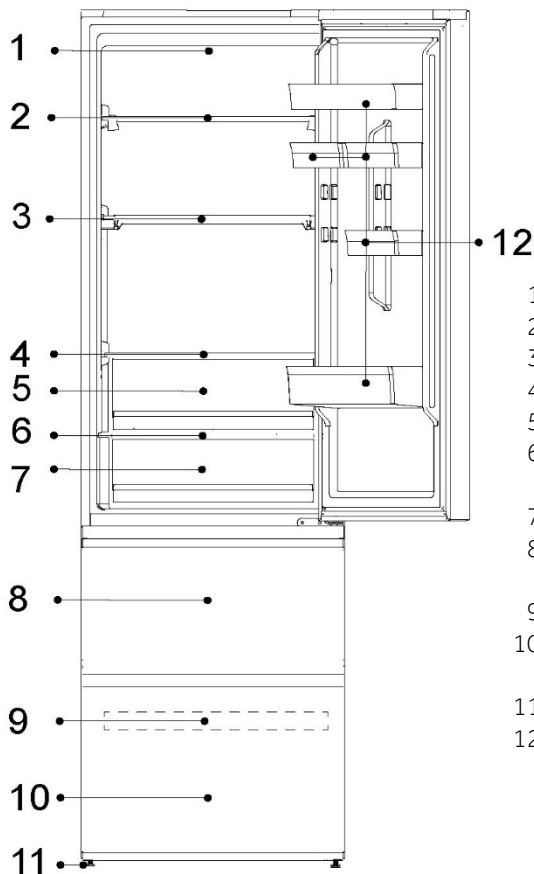
Поради технически промени и наличие на различни модели, някои от илюстрациите в това ръководство може да се различават от Вашия модел. (HTW5618DN*, HTW5618CN*, HTW5618EN*)



- 1-LED лампа за хладилник
- 2-Винен рафт
- 3-Сгъваем рафт
- 4-Капак на чекмеджето „Humidity Zone“
- 5-Чекмедже „Humidity Zone“
- 6-Капак на чекмеджето „My Zone“
- 7-Чекмедже „My Zone“
- 8-Горно чекмедже за съхранение на фризера
- 9-Тава на фризера
- 10-Долно чекмедже за съхранение на фризера
- 11-Регулируеми крачета
- 12-Рафт на вратата

i ЗАБЕЛЕЖКА

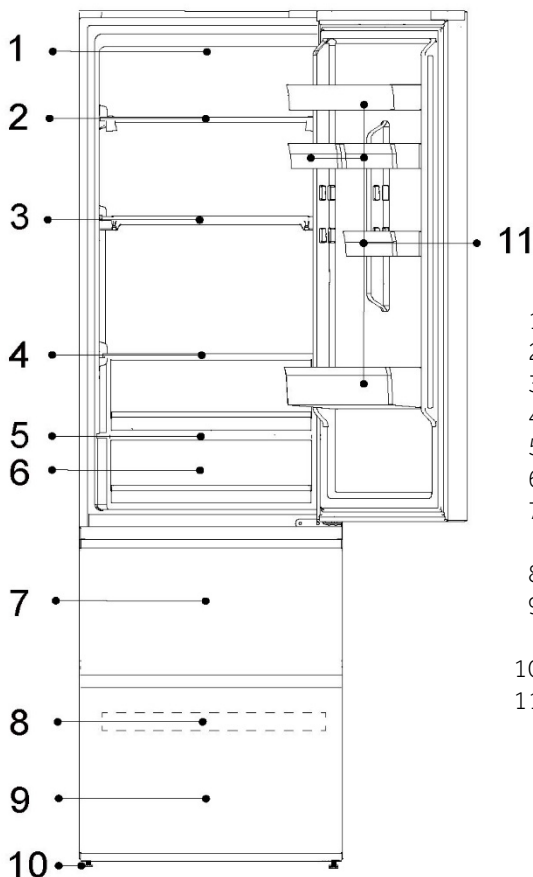
Поради технически промени и наличие на различни модели, някои от илюстрациите в това ръководство може да се различават от Вашия модел. (HTW3620DN*)



- 1-LED лампа за хладилник
- 2-Съклен рафт
- 3-Съклен рафт
- 4-Съклен рафт
- 5-Съклен рафт
- 6-Капак на чекмеджето „My Zone“
- 7-Чекмедже „My Zone“
- 8-Горно чекмедже за съхранение на фризера
- 9-Тава на фризера
- 10-Долно чекмедже за съхранение на фризера
- 11-Регулируеми крачета
- 12-Рафт на вратата

i ЗАБЕЛЕЖКА

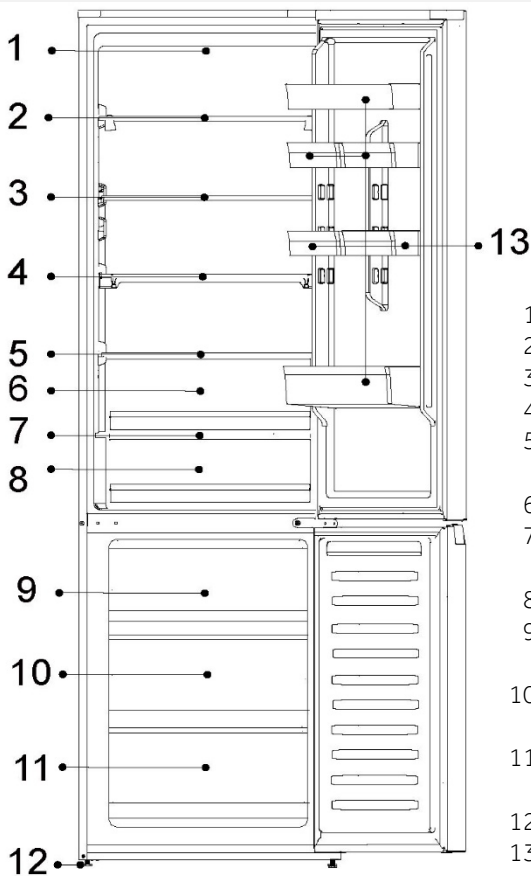
Поради технически промени и наличие на различни модели, някои от илюстрациите в това ръководство може да се различават от Вашия модел. (HTW3618DN*, HTW3618CN*, HTW3618EN*)



- 1-LED лампа за хладилник
- 2-Съклен рафт
- 3-Съклен рафт
- 4-Съклен рафт
- 5-Капак на чекмеджето „My Zone“
- 6-Чекмедже „My Zone“
- 7-Горно чекмедже за съхранение на фризера
- 8-Тава на фризера
- 9-Долно чекмедже за съхранение на фризера
- 10-Регулируеми крачета
- 11-Рафт на вратата

i ЗАБЕЛЕЖКА

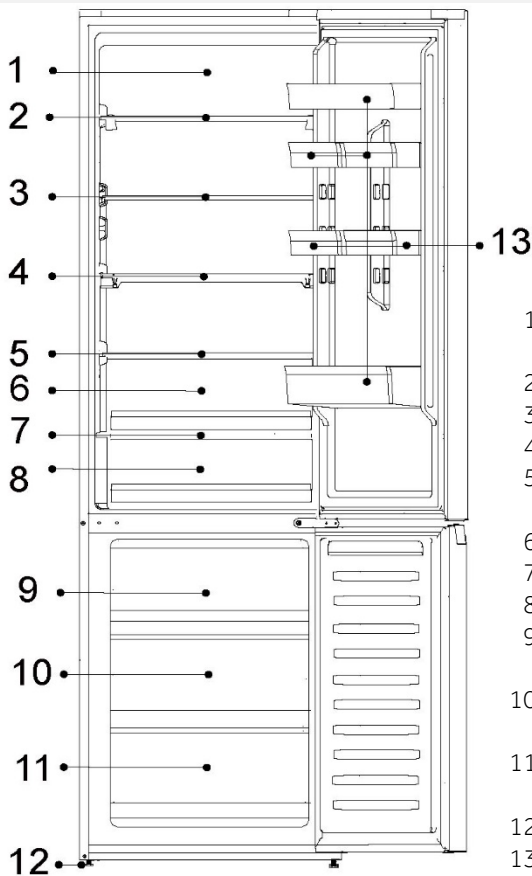
Поради технически промени и наличие на различни модели, някои от илюстрациите в това ръководство може да се различават от Вашия модел. (HDPW5620DN*, HDPW5620CN*, HDPW5620AN*, HDPW5620BN*)



- 1-LED лампа за хладилник
- 2-Винен рафт
- 3-Съъклен рафт
- 4-Сгъваем рафт
- 5-Капак на чекмеджето „Humidity Zone“
- 6-Чекмедже „Humidity Zone“
- 7-Капак на чекмеджето „My Zone“
- 8-Чекмедже „My Zone“
- 9-Горно чекмедже за съхранение на фризера
- 10-Средно чекмедже за съхранение на фризера
- 11-Долно чекмедже за съхранение на фризера
- 12-Регулируеми крачета
- 13-Рафт на вратата

i ЗАБЕЛЕЖКА

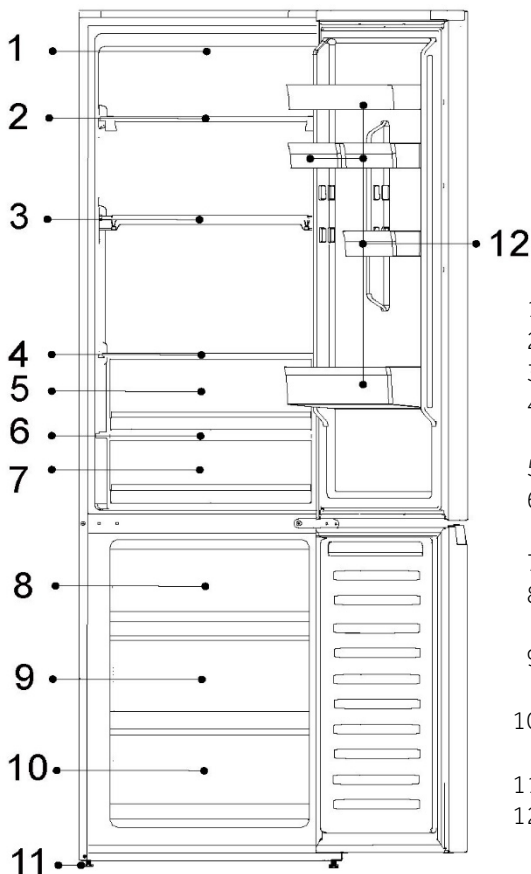
Поради технически промени и наличие на различни модели, някои от илюстрациите в това ръководство може да се различават от Вашия модел. (HDPW7620AN*, HDPW7620AAN*)



- 1-LED система за дневна светлина
- 2-Винен рафт
- 3-Стъклен рафт
- 4-Сгъваем рафт
- 5-Капак на чекмеджето „Humidity Zone“
- 6-Чекмедже „Humidity Zone“
- 7-Капак на чекмеджето „My Zone“
- 8-Чекмедже „My Zone“
- 9-Горно чекмедже за съхранение на фризера
- 10-Средно чекмедже за съхранение на фризер
- 11-Долно чекмедже за съхранение на фризера
- 12-Регулируеми крачета
- 13-Рафт на вратата

i ЗАБЕЛЕЖКА

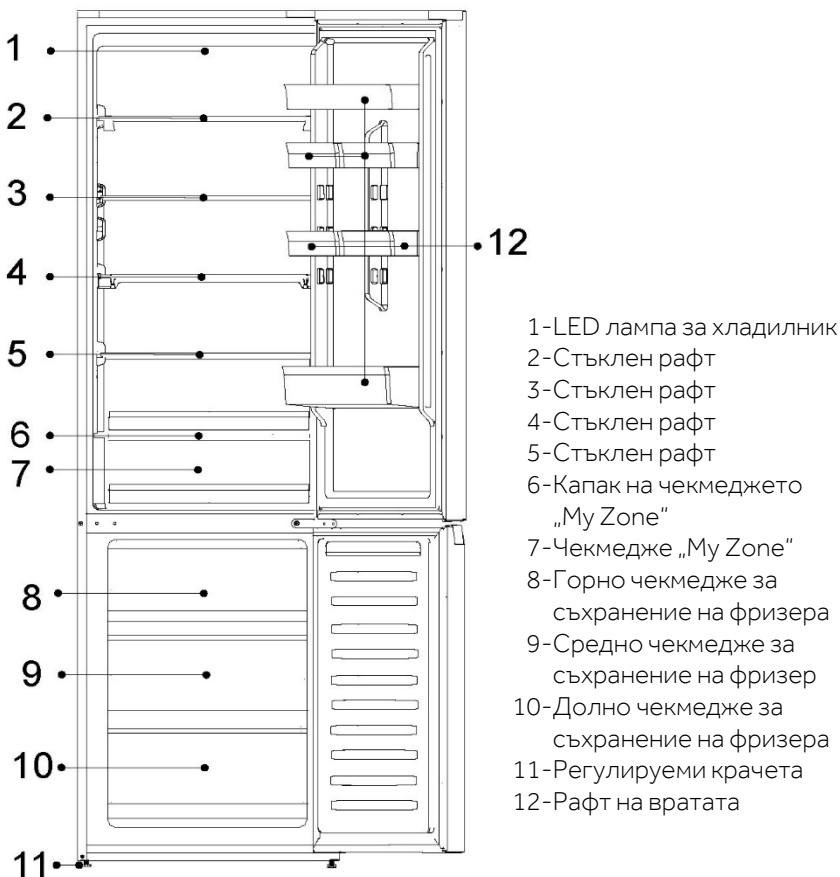
Поради технически промени и наличие на различни модели, някои от илюстрациите в това ръководство може да се различават от Вашия модел. (HDPW5618DN*, HDPW5618CN*)



- 1-LED лампа за хладилник
- 2-Винен рафт
- 3-Сгъваем рафт
- 4-Капак на чекмеджето „Humidity Zone“
- 5-Чекмедже „Humidity Zone“
- 6-Капак на чекмеджето „My Zone“
- 7-Чекмедже „My Zone“
- 8-Горно чекмедже за съхранение на фризера
- 9-Средно чекмедже за съхранение на фризера
- 10-Долно чекмедже за съхранение на фризера
- 11-Регулируеми крачета
- 12-Рафт на вратата

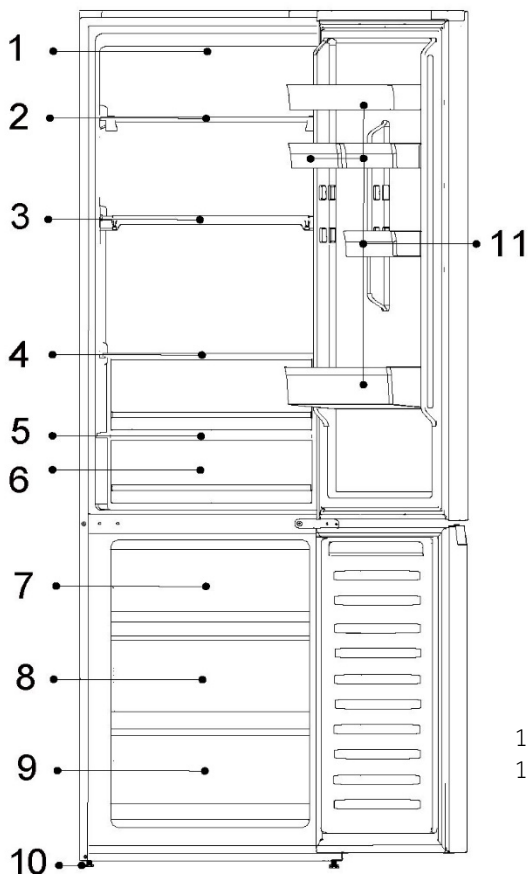
i ЗАБЕЛЕЖКА

Поради технически промени и наличие на различни модели, някои от илюстрациите в това ръководство може да се различават от Вашия модел. (HDPW3620DN*, HDPW3620CN*)



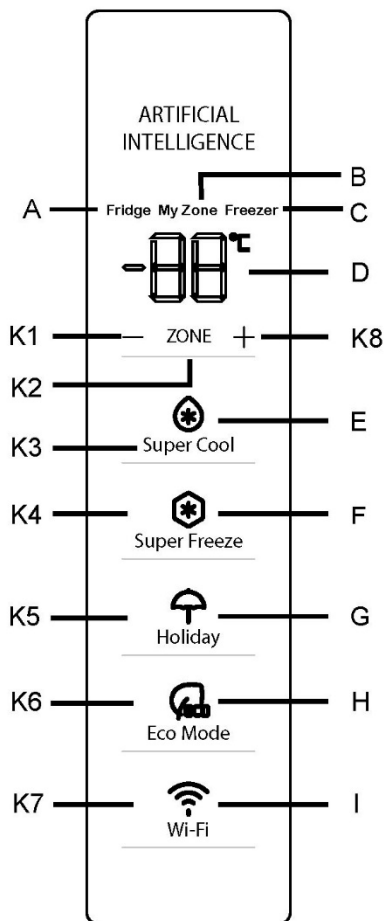
i ЗАБЕЛЕЖКА

Поради технически промени и наличие на различни модели, някои от илюстрациите в това ръководство може да се различават от Вашия модел. (HDPW3618DN*)



- 1-LED лампа за хладилник
- 2-Съклен рафт
- 3-Съклен рафт
- 4-Съклен рафт
- 5-Капак на чекмеджето „My Zone“
- 6-Чекмедже „My Zone“
- 7-Горно чекмедже за съхранение на фризера
- 8-Средно чекмедже за съхранение на фризер
- 9-Долно чекмедже за съхранение на фризера
- 10-Регулируеми крачета
- 11-Рафт на вратата

Панел за управление



Индикатори:

- A Хладилно отделение
- B Охлаждащо отделение (My Zone)
- C Отделение на фризера
- D Дисплей за температурата
- E Функция „Super Cool“
- F Функция „Super Freeze“
- G Функция „Holiday“
- H Функция „Eco Mode“ и Wi-Fi функция

Бутони:

- K1 Намаляване на температурата
- K2 Избор на Fridge, My Zone или Freezer
- K3 Включване/изключване на функция „Super Cool“
- K4 Включване/изключване на функция „Super Freeze“
- K5 Включване/изключване на функция „Holiday“
- K6 Включване/изключване на функция „Eco Mode“
- K7 Включване/изключване на Wi-Fi функция
- K8 Повишаване на температурата

Преди първоначална употреба

Отстранете всички опаковъчни материали, дръжте ги далеч от деца, и ги изхвърлете по природосъобразен начин.

Почистете уреда отвътре и отвън, както и вътрешността и аксесоарите, с вода и мек почистващ препарат и подсушете добре с мека кърпа.

След като уредът е нивелиран и почистен, моля, изчакайте поне 2 часа, преди да го свържете към захранването. Вижте раздел „МОНТИРАНЕ“.

Преди да заредите с храна, предварително охладете отделенията при високи настройки. Функцията „Super Freeze“ помага за бързото охлаждане на фризерното отделение

Сензорни бутони

Бутоните на контролното табло са сензорни и реагират при леко докосване с пръст.

Включване/изключване на уреда

Уредът започва да работи, веднага щом бъде свързан към захранването. Когато уредът се включи за първи път, температурните индикатори „D“ показват предварително зададените стойности (вижте забележката по-долу).

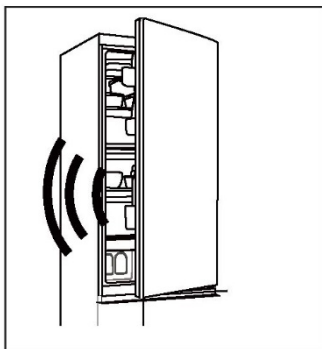
ЗАБЕЛЕЖКА

Уредът е предварително настроен на препоръчителната температура от 5°C (хладилник) и -18°C (фризер). Температурата на „My Zone“ е предварително зададена на около 2°C. Това са препоръчителните настройки. По желание може да промените тези температури ръчно.

Аларма при отворена врата

Когато вратата на хладилника е отворена за повече от 3 минути, ще се включи звуковата аларма за отваряне на вратата.

Алармата спира при затваряне на вратата. Ако вратата е отворена за повече от 7 минути, лампата вътре в хладилника и осветлението на контролния панел ще се изключат автоматично.



Регулиране на температурата

Температурите в уреда се влияят от следните фактори:

- ▶ Температура на околната среда
- ▶ Честота на отваряне на вратата
- ▶ Количество на съхраняваните храни
- ▶ Монтиране на уреда



Регулиране на температурата на хладилника

1. Натиснете бутона „K2” (Избор на Fridge, My Zone или Freezer), за да изберете хладилното отделение. Иконите „A” (Хладилно отделение) и „D” (Дисплей за температурата) светят ярко.
2. Натиснете бутоните „K1/K8”, за да зададете температурата на хладилника. Температурата се повишава последователно с 1°C, от минимум 2°C до максимум 8°C. Оптималната температура в хладилника е 5°C. По-ниските температури означават ненужен разход на енергия.
3. След около 5 секунди иконата за температура „D” (Дисплей за температурата) ще свети постоянно и настройката ще е потвърдена.

Регулиране на температурата на фризера

1. Натиснете бутона „K2” (Избор на Fridge, My Zone или Freezer), за да изберете фризерното отделение. Иконите „C” (Фризерно отделение) и „D” (Дисплей за температурата) светят ярко.
2. Натиснете бутоните „K1/K8”, за да зададете температурата на фризера. Температурата се повишава последователно с 1°C, от минимум -24°C до максимум -16°C. Оптималната температура в хладилника е -18°C. При по-ниски температури се получава ненужно потребление на енергия.
3. След около 5 секунди иконата за температура „D” (Дисплей за температурата) ще свети постоянно и настройката ще е потвърдена.

Регулиране на температурата на „My Zone”

Хладилното отделение е оборудвано с чекмедже „My Zone”. В съответствие с изискванията за съхранение на храната, може да бъде избрана най-подходящата температура, за да се извлече оптималната хранителна стойност на храните.

1. Натиснете бутона „K2” (Избор на Fridge, My Zone или Freezer), за да изберете отделението „My Zone”. Иконите „B” (Отделение „My Zone”) и „D” (Дисплей за температурата) светят ярко.
2. Натиснете бутоните „K1/K8”, за да зададете температурата на „My Zone”. Температурата се повишава последователно с 1°C, от минимум 0°C до максимум 5°C.
3. След около 5 секунди иконата за температура „D” (Дисплей за температурата) ще свети постоянно и настройката ще е потвърдена.



i ЗАБЕЛЕЖКА

1. Можете да зададете температурата на отделението „My Zone“ на средно ниво (2°C), за да се запази храната в оптимална среда за съхранение.
2. Поради различното съдържание на вода в месото, някои меса с по-голяма влажност ще замръзнат при температури, по-ниски от 0°C. Затова месото, което ще се консумира незабавно, трябва да се съхранява в чекмеджето „My Zone“ с минимална температура 0°C.
3. Плодовете, чувствителни към студени температури като ананас, авокадо, банани, грейпфрути и зеленчуци като картофи, патладжани, боб, краставици, тиквички и домати, както и сирене, не трябва да се съхраняват в чекмеджето „My Zone“.
4. Ако температурата на хладилника е по-ниска от температурата на „My Zone“, нормално е температурата на „My Zone“ да е по-ниска от зададената температура на „My Zone“.
5. Ако температура в помещението е по-ниска от 8°C, температурата на чекмеджето „My Zone“ винаги ще бъде около 0°C.

i ЗАБЕЛЕЖКА

След задаване на температурата, ако в рамките на 5 секунди бъде натиснат някой от другите бутони, текущата настройка на температурата ще бъде потвърдена незабавно. Ако не се натисне нито един бутон в рамките на 5 секунди, текущата зададена температура се показва, докато екранът изгасне.

i ЗАБЕЛЕЖКА

От приложението е възможно да се персонализира температурата на хладилното и фризерното отделение, както и на „My Zone“. Температурата може да се настрои със стъпка от 1°C.

Функция „Super Cool“

1. Препоръчително е да включите функцията „Super Cool“, ако трябва да съхранявате голямо количество храна (например след покупка). Функцията „Super Cool“ ускорява охлаждането на прясната храна и предпазва вече съхранените продукти от нежелано затопляне.
2. Натиснете бутона „K3“ или го включете от приложението, иконата „E“ (Функция „Super Cool“) ще светне ярко и функцията ще бъде активирана.



ЗАБЕЛЕЖКА

1. Уредът прекратява функцията „Super Cool“ след като тя е била активна в продължение на 6 часа, чрез натискане на бутон „K3“, когато иконата „E“ (Функция „Super Cool“) свети ярко, или когато я изключите от приложението.
2. В активирана Функция „Super Cool“, ако температурата на хладилното отделение бъде регулирана, иконата „E“ (Функция „Super Cool“) ще примигне, за да покаже, че тази операция не може да бъде извършена.

Функция „Super Freeze“

1. Пресните храни трябва да бъдат изцяло замразени възможно най-бързо. Това може да запази най-добрата хранителна стойност, външен вид и вкус. Функцията „Super Freeze“ ускорява замразяването на прясната храна и предпазва вече съхранените продукти от нежелано затопляне. Ако се налага да замразите едновременно голямо количество храна, препоръчително е да зададете функцията „Super Freeze“ 24 часа преди използването на пространството за замразяване.
2. Натиснете бутона „K4“ (Настройка на функцията „Super Freeze“) или го включете от приложението, иконата „F“ (Функция „Super Freeze“) ще светне ярко и функцията ще бъде активирана.

ЗАБЕЛЕЖКА

1. Уредът прекратява функцията „Super Freeze“ след като тя е била активна в продължение на 50 часа, чрез натискане на бутон „K4“, когато иконата „F“ (Функция „Super Freeze“) свети ярко, или когато я изключите от приложението.
2. В активирана Функция „Super Freeze“, ако температурата на фризерното отделение бъде регулирана, иконата „F“ (Функция „Super Freeze“) ще примигне, за да покаже, че тази операция не може да бъде извършена.

Функция „Holiday“

Функцията „Holiday“ може да се използва за намаляване на консумацията на енергия от уреда, когато не се използва редовно. Когато функцията е включена, хладилникът е изключен, докато фризерът ще продължи да работи нормално. Функцията настройва температурата на хладилника за постоянно на 17°C.

Това позволява да държите вратата на празния хладилник затворена, без да се причиняват миризма или плесен – по време на продължително отсъствие (например по време на почивка). Фризерното отделение е готово за вашата настройка.



1. Натиснете бутона „K5“ (Включване/изключване на функцията „Holiday“) или го включете от приложението, иконата „G“ (Функция „Holiday“) ще светне ярко и функцията ще бъде активирана.
2. Функцията може да се деактивира чрез повторно натискане на бутона „K5“ (Включване/изключване на функцията „Holiday“), чрез регулиране на температурата на хладилника или чрез извършване на друга настройка, или чрез изключване от приложението.

ЗАБЕЛЕЖКА

1. Когато функцията „Holiday“ е активирана, в хладилното отделение не трябва да се съхранява храна. Температурата от 17°C е твърде висока за съхранение на храна.
2. Когато функцията „Holiday“ е включена, иконата „My Zone“ остава изключена и функциите на хладилника са заключени. Ако температурата на хладилното отделение бъде регулирана, иконата „G“ (Функция „Holiday“) ще примигне, за да покаже, че тази операция не може да бъде извършена.

Функция „Eco Mode“

Функцията „Eco Mode“ може да се активира, за да се оптимизира работата на уреда, докато се постигне най-доброто съхранение на храни. Ако нямате никакви специални изисквания, препоръчваме ви да използвате функцията „Eco Mode“.

В този режим температурата на хладилника е 5°C, а температурата на фризера е -18°C.

1. Натиснете бутона „K6“ (Включване/изключване на функцията „Eco Mode“) или изберете функцията от приложението.
2. Иконата „H“ (Функция „Eco Mode“) ще светне ярко и функцията ще бъде активирана.






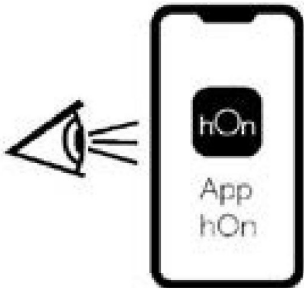
Като повторите горните стъпки или изберете друга функция, или я изключите от приложението, тази функция може да бъде изключена отново.

Възстановяват се предишните зададени нива на охлаждане.

ЗАБЕЛЕЖКА

По време на работеща функция „Eco Mode“, ако температурата на хладилното или на фризерното отделение бъде регулирана, иконата „H“ (Функция „Eco Mode“) ще примигне, за да покаже, че тази операция не може да бъде извършена.

Стъпка 1 Изтеглете приложението hOn от магазините.

   	
<p>Стъпка 2 Създайте свой профил в приложението hOn или влезте, ако вече имате такъв.</p> 	<p>Стъпка 3 Следвайте инструкциите за вдвояване в приложението hOn.</p> 

Функция Wi-Fi

1. Следвайте инструкциите в приложението, за да конфигурирате Wi-Fi.
2. След като Wi-Fi е конфигурирано и връзката е установена, иконата за Wi-Fi „I“ е ярка и фиксирана.
3. Ако Wi-Fi вече е конфигурирано, при включване на Wi-Fi автоматично ще се свърже, използвайки информацията за конфигурацията.

ЗАБЕЛЕЖКА

1. За да изключите Wi-Fi, натиснете бутона за Wi-Fi „K7“, иконата за Wi-Fi „I“ се изключва
2. За да включите Wi-Fi и да започнете конфигурацията, натиснете Wi-Fi бутона „K7“ и Wi-Fi иконата „I“ започва бавно да мига. Ако искате да конфигурирате функцията Wi-Fi, натиснете бутона „K7“ за 3 секунди, иконата за Wi-Fi мига бързо и влиза в режим на конфигуриране. Ако искате да изключите функцията Wi-Fi, натиснете веднъж бутон „K7“. Повторете горните стъпки.
3. Ако продуктът е бил конфигуриран и функцията Wi-Fi е била изключена, хладилникът няма да влезе в режим на конфигурация след повторно включване на захранването.

ЗАБЕЛЕЖКА

1. Този продукт не е предназначен за търговска употреба.
2. Максимална RF изходна мощност: 2,4 GHz Wi-Fi: 16 dBm;
3. Bluetooth LE: 5dBm; Bluetooth (BR/EDR): 10dBm.
4. Честотен диапазон на работа: 2400-2483.5 MHz.



Съхранение в хладилното отделение

- Поддържайте температурата на хладилника си под 5° С.
- Горещата храна трябва да изстине до стайна температура, преди да бъде съхранявана в уреда.
- Съхраняваната в хладилника храна трябва да бъде измита и подсушена.
- Храната, която ще се съхранява, трябва да бъде затворена правилно, за да се избегнат промени на аромата или вкуса.
- Не съхранявайте прекомерни количества храна. Оставете пространства между храните, за да може около тях да преминава студен въздух, което осигурява по-добро и по-равномерно охлаждане.
- Храни, консумирани ежедневно, трябва да се съхраняват в предната част на рафта.
- Оставете разстояние между храните и вътрешните стени, за да може да преминава въздух. Във всички случаи, избягвайте да допирате храните, които съхранявате, до задната стена, тъй като могат да залепнат за стената. Избягвайте директен контакт на храната (особено мазна или киселинна храна) с вътрешната облицовка, тъй като е възможно тя да бъде разядена от мазнина или киселина. Когато откриете мазна/киселинна мръсотия, я почиствайте веднага.
- Замразената храна може да бъде внимателно размразена в хладилното отделение. Това пести енергия.
- Процесът на стареене на плодове и зеленчуци като тиквички, пъпеши, папая, банан, ананас и др. може да се ускори в хладилника. Следователно не е препоръчително да ги съхранявате в хладилника. Узряването на много зелени плодове обаче може да бъде стимулирано за определен период. Лук, чесън, джинджифил и други кореноплодни зеленчуци трябва да се съхраняват при стайна температура.
- Неприятните миризми в хладилника сигнализират, че нещо се е разляло и е необходимо почистване. Вижте „Грижа и почистване“.
- Различните храни трябва да се поставят в различни зони според техните свойства.

Съхранение във фризерното отделение

- Поддържайте температурата на фризера на -18°С.
- Включете функцията „Super-Freezer“ 24 часа преди замразяване. За малки количества храна са достатъчни 4–6 часа.
- Горещата храна трябва да изстине до стайна температура, преди да бъде съхранявана във фризерното отделение.
- Храна, нарязана на малки порции, ще замръзне по-бързо и ще бъде по-лесна за размразяване и готвене. Препоръчителното тегло за всяка порция е под 2,5 кг
- Най-добре е храната да бъде опакована, преди да я поставите във фризера. Външната страна на опаковката трябва да е суха, за да се избегне слепва-



нето на торбичките. Опаковките трябва да са без мирис, херметични, неотровни и нетоксични.

- За да се избегне изтичането на сроковете за съхранение, моля, обърнете внимание на датата на замразяване, срока и името на храната върху опаковката според сроковете за съхранение на различни храни.



ПРЕДУПРЕЖДЕНИЕ!

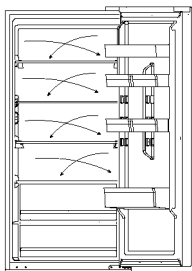
- ▶ Киселина, алкали, сол и др. могат да разядат вътрешната повърхност на фризера.
- ▶ Не поставяйте храна с тези вещества (напр. морски риби) директно върху вътрешната повърхност. Солената вода във фризера трябва да се почисти незабавно.
- ▶ Не надхвърляйте времето за съхранение на храните, препоръчвано от производителя. Изваждайте само необходимото количество храна от фризера.
- ▶ Консумирайте размразените храни бързо. Размразената храна не може да бъде замразявана повторно, освен ако преди това не бъде сготвена, в противен случай ще загуби качествата си.
- ▶ Не зареждайте прекомерни количества прясна храна във фризерното отделение. Вижте капацитета на замразяване на фризера – вижте ТЕХНИЧЕСКИ ДАННИ или данните на типовата табелка.
- ▶ Храна може да бъде съхранявана във фризера при температура от поне -18°C за срок от 2 до 12 месеца в зависимост от характеристиките ѝ (напр. месо: 3 – 12 месеца, зеленчуци: 6–12 месеца)
- ▶ Когато замразявате пресни храни, избягвайте да ги допирате до вече замразени храни. Риск от размразяване!

Когато съхранявате търговски замразени продукти, моля, следвайте тези указания:

- Винаги следвайте указанията на производителя за допустимата продължителност на съхранение на храната. Не пренебрегвайте тези указания!
- Опитайте се да съхранявате храната след покупката ѝ възможно най-кратко, за да се запази нейното качество.
- Купувайте замразени храни, които са били съхранявани при температура от -18°C или по-ниска.
- Избягвайте да купувате храна, която има лед или замръзване върху опаковката – това показва, че продуктите може да са били частично размразени и отново замразени. Повишаването на температурата се отразява на качеството на храната.

i ЗАБЕЛЕЖКА

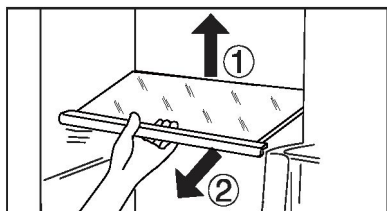
Поради разлики в моделите, вашият продукт може да няма всички от следните функции. Моля, вижте глава „Описание на продукта“.



Многоточков въздушен поток

Хладилникът е оборудван със система за многоточков въздушен поток, което позволява студени въздушни струи да текат през всеки рафт. Това помага за поддържането на постоянна температура, за да може храната Ви да остане свежа за по-дълго.

Регулираем рафт



1. Височината на рафтовете може да се регулира според Вашите нужди за съхранение.
2. За да преместите рафт, първо го извадете, като повдигнете задния му ръб ① и го издърпате навън ②.
3. За да го поставите обратно, го сложете на релсите от двете страни и го избутайте до най-задното положение, докато задната част на рафта не се застопори в страничните отвори.

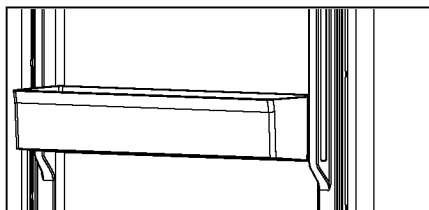
i ЗАБЕЛЕЖКА

Уверете се, че всички страни на рафта са подравнени.

Подвижни рафтове за вратата

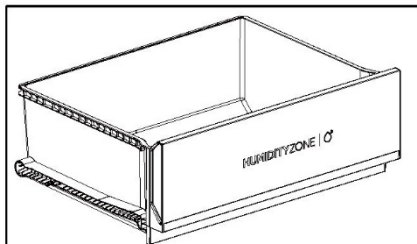
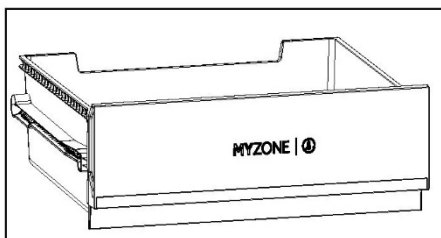
Рафтът на вратата може да се свали за почистване:

Хванете рафта с ръце от двете страни, повдигнете го нагоре (1) и го извадете (2). За да поставите рафта на вратата, следвайте горните стъпки в обратен ред.



Чекмедже „My Zone“

За използване и настройка на отделението „My Zone“, моля, проверете раздел „Употреба“ (My Zone).



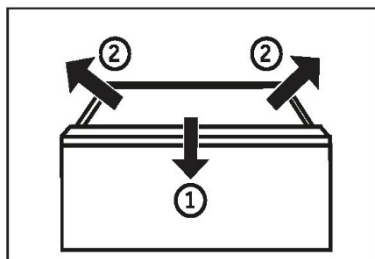
Чекмедже „Humidity Zone“

В това отделение нивото на влажност се управлява автоматично от системата и е подходящо за съхранение на плодове, зеленчуци, салати и др.

Вадещо се чекмедже

За да извадите чекмеджето от хладилника или фризерното отделение, издърпайте максимално (1), повдигнете и извадете (2).

За да поставите чекмеджето обратно, следвайте горните стъпки в обратен ред.



Чекмедже на фризера

Чекмеджето на фризера може да се издърпа изцяло. Монтирано е на плъзгаща се лесно телескопична релса. Така, че да можете удобно да съхранявате и да вадите продуктите за замразяване. Благодарение на механизма за автоматично затваряне на вратата, преместването е лесно и спестяват енергия.



ПРЕДУПРЕЖДЕНИЕ!

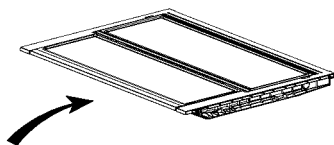
Не претоварвайте чекмеджетата: Максимално натоварване на всяко чекмедже: 35 кг!

Осветление

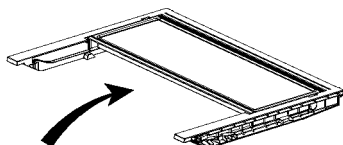
При отваряне на вратата се включва вътрешното LED осветление. Работата на лампите не се влияе от никоя друга настройка на уреда.

Сгъваем рафт

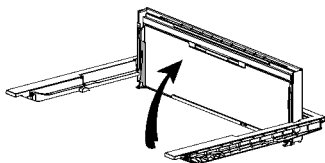
Сгъваемият рафт позволява на потребителя да постави високи бутилки или предмети на рафтовете. Рафтът може да се сгъне отзад и наличното пространство на долния рафт ще бъде по-голямо. Рафтът може да се сгъне като следват стъпки 1 до 3. Ако искате да се върнете към първоначалното положение, изпълнете следните процедури наобратно.



Стъпка 1: Натиснете бавно предната част на рафта до края.



Стъпка 2: Натиснете бавно рафта нагоре до вертикално положение.



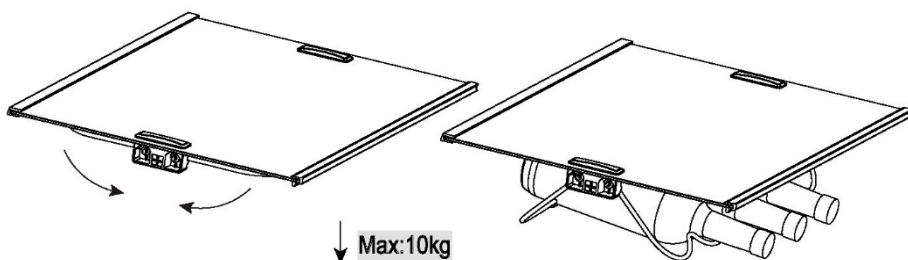
Стъпка 3: Рафтът е вертикален. Спестява място.

Сгъваема поставка за вино

За нормална употреба

1. Издърпайте надолу скобите на поставката за вино
2. Поставете бутилките в поставката

Когато не се използва, поставката за вино може да се сгъне назад, за да спести място.





Съвети за пестене на енергия

- ▶ Уверете се, че уредът е монтиран така, че да е осигурена добра вентилация (вижте раздел „МОНТАЖ“).
- ▶ Не поставяйте уреда на пряка слънчева светлина или в близост до източници на топлина (напр. печки, нагреватели).
- ▶ Избягвайте ненужно ниска температура в уреда. Консумацията на енергия се увеличава, когато зададената температура в уреда намалява.
- ▶ Функции като „SUPER FREEZE“ консумират повече енергия.
- ▶ Оставете топлата храна да се охлади, преди да я поставите в уреда.
- ▶ Отваряйте вратата на уреда възможно най-малко и за кратко.
- ▶ Не препълвайте уреда, за да не се нарушава циркулацията на въздуха.
- ▶ Избягвайте поставянето на хранителни опаковки, в които има въздух.
- ▶ Поддържайте уплътненията на вратата чисти, така че вратата винаги да се затваря добре.
- ▶ Размразете замразена храна в хладилното отделение или използвайте функцията „D-Frost“ в чекмеджето „My Zone“.
- ▶ Най-енергоспестяващата конфигурация изисква чекмеджетата, кутията за храна и рафтовете да бъдат поставени в уреда във възможно най-близко до фабричното състояние, а храната да се поставя по начин, който не блокира изхода на въздуховода.



ПРЕДУПРЕЖДЕНИЕ!

Изключвайте уреда от захранването преди почистване.

Почистване

Почиствайте уреда, когато в него се съхранява малко или никаква храна.

Уредът трябва да бъде почистван на всеки четири седмици за добра поддръжка и за предотвратяване на лоши миризми от съхраняваните храни.



ПРЕДУПРЕЖДЕНИЕ!

- ▶ Не почиствайте уреда с твърди четки, телени четки, прахообразни препарати, бензин, амилацетат, ацетон или подобни органични разтвори, киселинни или алкални разтвори. Моля, почиствайте със специален препарат за хладилник, за да избегнете повреди.
- ▶ Не пръскайте и не плискайте уреда по време на почистване.
- ▶ Не използвайте водна струя или пара за почистване на уреда.
- ▶ Не почиствайте студените стъклени рафтове с гореща вода. Рязката промяна в температурата може да причини напукване на стъклото.
- ▶ Не докосвайте вътрешната повърхност на фризерното отделение за съхранение, особено с мокри ръце, тъй като ръцете ви може да замръзнат върху повърхността.
- ▶ В случай на повишаване на температурата проверете състоянието на замразените храни.



- ▶ Винаги поддържайте уплътнението на вратата чисто.
- ▶ Почиствайте вътрешността и корпуса на уреда с гъба, навлажнена с топла, вода и неутрален препарат.
- ▶ 1. Моля, търкайте вътрешната и външната част на хладилника, включително уплътненията на вратата, рафтовете за врата, стъклените рафтове, кутиите и т.н., с мека кърпа или гъба, натопена в топла вода (може да добавите неутрален препарат към топлата вода).
- ▶ 2. Ако има разлята течност, отстранете всички замърсени части, изплакнете директно с течащата вода, подсушете и ги поставете обратно в хладилника.
- ▶ 3. Ако има разлята гъста течност (като сметана или разтопен сладолед), моля, отстранете всички замърсени части, поставете ги за известно време в топла вода с температура около 40°C, след това изплакнете с течаща вода, подсушете и ги поставете обратно в хладилника.
- ▶ 4. В случай че малка част или компонент заседне вътре в хладилника (между рафтовете или чекмеджетата), използвайте малка мека четка, за да го отстраните. Ако не можете да достигнете частта, моля, свържете се с отдела за обслужване на клиенти на Haier.
- ▶ Изплакнете и подсушете с мека кърпа.
- ▶ Не почиствайте никоя от частите на уреда в съдомиялна машина.



- Изчакайте поне 5 минути, преди да включите отново уреда, тъй като честото стартиране може да повреди компресора.

Размразяване

Размразяването на хладилното и фризерното отделение се извършва автоматично; не е необходимо ръчно управление.

Смяна на LED лампите



ПРЕДУПРЕЖДЕНИЕ!

Не заменяйте LED лампите сами. Те трябва да бъдат заменени единствено от производителя или от упълномощен сервизен представител.

Лампите използват LED технология, отличаваща се с ниска консумация на енергия и дълъг експлоатационен живот. В случай на аномалии, моля, свържете се с отдела за обслужване на клиенти. Вижте раздел „ОБСЛУЖВАНЕ НА КЛИЕНТИ“.

Параметри на лампите:

Част	LED лампа
Волтаж	12 V
Максимална мощност	1,5 W
LED спецификации	Бяло-2835
LED клас на ефективност	G
Температура на използване	-40~80°C

HDPW7620*, HTW7620*

Част	LED лампа
Волтаж	12 V
Максимална мощност	8W
LED спецификации	White-4014
LED клас на ефективност	G
Температура на използване	-30~60°C

При липса на употреба за дълъг период от време

Ако уредът не се употребява за продължителен период от време и няма да се използва функцията „Holiday“:

Извадете храната.

Изключете захранващия кабел от контакта.

Почистете уреда, както е описано по-горе.

Оставете вратите отворени, за да се предотврати появата на неприятни миризми вътре.



ЗАБЕЛЕЖКА

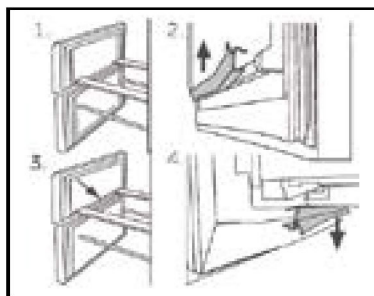
Изключете уреда само ако е абсолютно необходимо.

Свалящи се помощни уплътнения на вратата

Има шест помощни уплътнения на вратата, на горното и на долното чекмеджета на фризера.

1. Намерете петте посочени уплътнения на вратата на горното и на долното чекмеджета на фризера.
2. Уверете се, че огънатите части на уплътненията сочат навътре, докато ги закрепвате.
3. Поставете долното уплътнение на горното чекмедже, както е показано.
4. Уверете се, че огънатата част на това уплътнение сочи надолу, докато го закрепвате.

Получавате тези уплътнения, както и уплътненията за въртящата се врата/чекмедже чрез отдела за обслужване на клиенти (вижте гаранционната карта).



Преместване на уреда

1. Извадете всичката храна и изключете уреда от контакта.
2. Закрепете всички рафтове и други подвижни част в хладилник и фризера с тиксо.
3. Не наклоняйте хладилника повече от 45°, за да избегнете повреда на охладителната система.



ПРЕДУПРЕЖДЕНИЕ!

- ▶ Не хващайте уреда за дръжките при повдигане.
- ▶ Никога не поставяйте уреда в хоризонтално положение на земята.

Много от възникналите проблеми могат да бъдат решени от Вас самите без нужда от специфични умения. В случай на проблем, моля, проверете всички показани възможности и последвайте инструкциите по-долу, преди да се свържете с отдела за следпродажбено обслужване. Вижте раздел „ОБСЛУЖВАНЕ НА КЛИЕНТИ“.



ПРЕДУПРЕЖДЕНИЕ!

- ▶ Преди извършване на поддръжка изключете уреда и извадете щепсела от контакта.
- ▶ Електрическото оборудване трябва да се обслужва само от квалифицирани експерти, тъй като неправилният ремонт може да причини значителни последващи щети.
- ▶ Повреда в хранящия кабел може да бъде отстранена единствено от производителя, негов обслужващ представител или лице с подобна квалификация, за да се избегне потенциална опасност.

Таблица за отстраняване на неизправности

Проблем	Възможна причина	Възможно решение
Компресорът не работи.	Щепселът не е включен в контакта.	Включете щепсела.
	Уредът е в цикъл на размразяване.	Това е нормално за автоматично размразяване.
Уредът се включва често или работи за прекалено дълги периоди от време.	Вътрешната или външната температура е твърде висока.	В такъв случай е нормално уредът да работи по-дълго.
	Уредът е бил изключен за известно време.	Обикновено са необходими от 8 до 12 часа, за да се охлади уредът напълно.
	Врата/чекмедже на уреда не е затворена/о плътно.	Затворете вратата/чекмеджето и се уверете, че уредът се намира върху равна повърхност, както и че затварянето на вратата не е възпрепятствано от храна или контейнер.
	Вратите/чекмеджетата са били отворяни твърде често или за прекалено дълго време.	Не отваряйте вратата/чекмеджето твърде често.
	Температурата, зададена за фризерното отделение, е твърде ниска.	Задайте по-висока температура, докато се получи задоволителна температура на хладилника. Отнема 24 часа, за да стане температурата на хладилника стабилна.
	Уплътнението на вратата/чекмеджето е замърсено, износено, напукано или разместено.	Почистете уплътненията на вратата/чекмеджето или ги сменете с помощта на отдела за обслужване на клиенти.
	Необходимата циркулация на въздуха е възпрепятствана.	Осигурете подходяща вентилация.



Проблем	Възможна причина	Възможно решение
Във вътрешната част на хладилника има замърсяване и/или лоша миризма.	Вътрешността на хладилника трябва да бъде почистена.	Почистете вътрешността на хладилника.
	В хладилника се съхранява храна със силен мирис.	Опаковайте добре храната.
В уреда не е достатъчно студено.	Зададена е прекалено висока температура.	Върнете първоначалната настройка на температурата
	Прибрана е твърде топла храна.	Винаги оставяйте храните да изстинат, преди да ги приберете.
	Съхранява се прекалено голямо количество храна наведнъж.	Винаги съхранявайте малки количества храна.
	Храните са поставени прекалено близо една до друга.	Оставяйте празно място между артикулите, за може въздухът да циркулира свободно.
	Врата/чекмедже на уреда не е затворена/о плътно.	Затворете вратата/чекмеджето.
	Вратите/чекмеджетата са били отворяни твърде често или за прекалено дълго време.	Не отваряйте вратата/чекмеджето твърде често.
В уреда е твърде студено.	Зададена е прекалено ниска температура.	Върнете първоначалната настройка на температурата.
	Активирана е функцията „Super Freeze“ или работи прекалено дълго време.	Изключете функцията „Super Freeze“
По вътрешността на хладилното отделение се образува конденз.	Климатът е твърде топъл и твърде влажен.	Увеличете температурата.
	Врата/чекмедже на уреда не е затворена/о плътно.	Затворете вратата/чекмеджето.
	Вратите/чекмеджетата са били отворяни твърде често или за прекалено дълго време.	Не отваряйте вратата/чекмеджето твърде често.
	Контейнери, съдържащи течности или харни, са оставени отворени.	Оставете горещите храни да изстинат до стайна температура и покривайте храните и течностите.
По външната повърхност на хладилника или между вратите/вратата и чекмеджето се образува кондензация.	Климатът е твърде топъл и твърде влажен.	Това е нормално при влажен климат и ще се промени, когато влажността намалее.
	Вратата/чекмеджето не е затворена/о плътно.	Уверете се, че вратите/чекмеджетата са затворени плътно.
Иконите на дисплея мигат последователно и охлаждателната система не работи.	Уредът е в демо режим	Хладилникът е включен в контакта Натиснете и задръжте бутона „ZONE“ и натиснете бутона „Eco Mode“ пет пъти, след което иконите ще спрат да мигат.



Проблем	Възможна причина	Възможно решение
Много лед и скреж във фризерното отделение.	Храните не са опаковани добре.	Винаги опаковайте храните добре.
	Врата/чекмедже на уреда не е затворена/о плътно.	Затворете вратата/чекмеджето.
	Вратите/чекмеджетата са били отваряни твърде често или за прекалено дълго време.	Не отваряйте вратата/чекмеджето твърде често.
	Уплътнението на вратата/чекмеджето е замърсено, износено, напукано или разместено.	Почистете уплътненията на вратата/чекмеджето или ги сменете с нови.
	Нещо от вътрешната страна пречи на вратата/чекмеджето да се затвори добре.	Разместете рафтовете, рафтовете за вратите или вътрешните контейнери, така, че да може вратата/чекмеджето да се затвори.
Уредът издава необичайни звуци.	Уредът не е разположен върху равна повърхност.	Регулирайте крачетата, за да подравните уреда.
	Уредът се допира до близкостоящ предмет.	Отстранете близкостоящите предмети.
Чува се слаб звук, наподобяващ звука от течеща вода.	Това е нормално.	/
Чува се звуков сигнал.	Вратата на хладилника е отворена.	Затворете вратата или заглушете алармата ръчно.
Чува се слабо бръмчене.	Системата против конденз работи.	Това предотвратява конденза и е нормално.
Вътрешната осветителна система или охладителната система не работи.	Щепселът не е включен в контакта.	Включете щепсела.
	Има проблем с електрозахранването.	Проверете електрическото захранване на помещението. Свържете се с местната електрическа компания!
	LED лампата е повредена.	Моля, свържете се с центъра за обслужване на клиенти за смяна на лампата.
Страните на шкафа и лентата на вратата се затоплят.	Това е нормално.	/
От накрайника на диспенсъра не излиза вода	Заклучването не е дезактивирано.	Деактивирайте заключването



Прекъсване на електрозахранването

- ▶ При прекъсване на електрозахранването храната би трябвало да остане студена в продължение на около 13 часа. Следвайте следните съвети по време на продължително прекъсване на електрозахранването, особено през лятото.
- ▶ Отваряйте вратата/чекмеджето възможно най-рядко.
- ▶ Не поставяйте друга храна в уреда по време на прекъсването на електрозахранването.
- ▶ Ако е дадено предварително известие за прекъсване на електрозахранването и продължителността на прекъсването надвишава 13 часа, направете малко лед на кубчета и го поставете в съд на горния рафт на хладилното отделение.
- ▶ Необходима е проверка на храните веднага след прекъсването.
- ▶ Тъй като температурата в хладилника ще се повиши по време на прекъсване на захранването или при друга повреда, срокът на годност на храната ще бъде съкратен. Всички храни, които се размразят, трябва или да бъдат изконсумирани, или сготвени и замразени отново в най-кратък срок (ако това е възможно), за да се предотвратят възможни рискове за здравето.

ЗАБЕЛЕЖКА

Функция за запаметяване при прекъсване на електрозахранването

След възстановяване на захранването уредът продължава да работи с настройките, зададени преди спиране на тока.

За да се свържете с отдела за техническа помощ, посетете уебсайта ни:

<https://corporate.haier-europe.com/en/>

В раздела „Уебсайт“ изберете марката на своя продукт и Вашата държава.

Ще бъдете пренасочени към конкретния уебсайт, където може да намерите телефонния номер и други начини за връзка с отдела за техническа помощ.

Разопаковане



ПРЕДУПРЕЖДЕНИЕ!

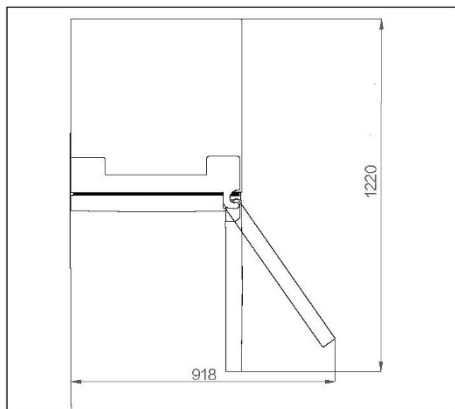
- ▶ Уредът е тежък. При преместването му винаги трябва да участват поне двама души.
- ▶ Пазете всички опаковъчни материали на място, недостъпно за деца, и ги изхвърлете по природосъобразен начин.
- ▶ Разопакувайте уреда.
- ▶ Отстранете всички опаковъчни материали.

Условия на обкръжаващата среда

Температурата в помещението винаги трябва да бъде между 10°C и 43°C, тъй като това може да повлияе на температурата вътре в уреда и на консумацията на енергия. Не поставяйте уреда близо до други излъчващи топлина уреди (фурни, хладилници) без изолация.

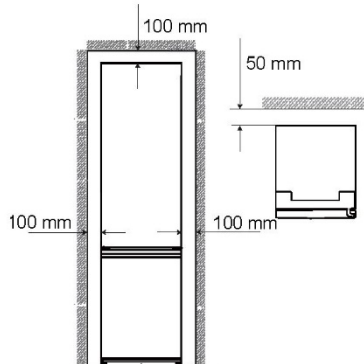
Изискване за пространство

Необходимо пространство при отворена врата.



Вентилационно сечение

За да се осигури на уреда достатъчно добро ниво на вентилация от съображения за безопасност, трябва да се спазват изискванията, показани във вентилационното напречно сечение.

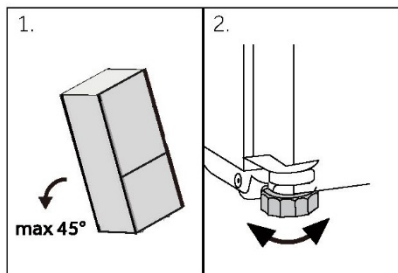


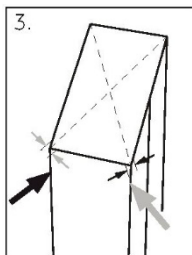
Подравняване на уреда

Уредът трябва да бъде поставен на равна и стабилна повърхност.

1. Наклонете хладилника леко назад.
2. Нагласете крачетата до желаното ниво.

Уверете се, че разстоянието до стената от страните на пантите е поне 100 mm, за да се отварят свободно вратите.

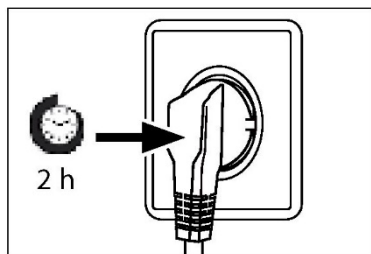




1. Стабилността може да се провери чрез последователно побутване по диагоналите. И в двете посоки трябва да се получава еднакво леко люлеене. В противен случай рамката може да се изкриви, в резултат на което уплътненията на вратата няма да прилепват плътно. Лекият наклон назад улеснява затварянето на вратите.

ЗАБЕЛЕЖКА

За свободно стоящ уред: този хладилник не е предназначен за вграждане.



Време на изчакване

Смазочното масло, което не се нуждае от поддръжка, се намира в капсулата на компресора. Това масло може да се разнесе из затворената система от тръби, докато уредът се пренася в наклонено положение. Преди да свържете уреда към захранването, трябва да изчакате поне 2 часа, за да може маслото да се върне обратно в капсулата.

Свързване към електрозахранването

Преди всяко свързване проверявайте дали:

- ▶ захранването, контактът и предпазителите са подходящи според табелката с данни.
- ▶ електрическият контакт е заземен и няма включен разклонител или удължител.
- ▶ щепселът и контактът са в пълно съответствие.

Свържете щепсела към правилно инсталиран контакт за битова употреба.



ПРЕДУПРЕЖДЕНИЕ!

За да се избегнат рискове, повреден захранващ кабел трябва да се заменя от сервизния отдел (вижте гаранционната карта).

Обръщане на вратите

Преди да свържете уреда към електрозахранването, трябва да проверите дали посоката на отваряне на вратата трябва да се промени от дясна (както е доставен) на лява, ако това се изисква от мястото на монтаж и практичността.



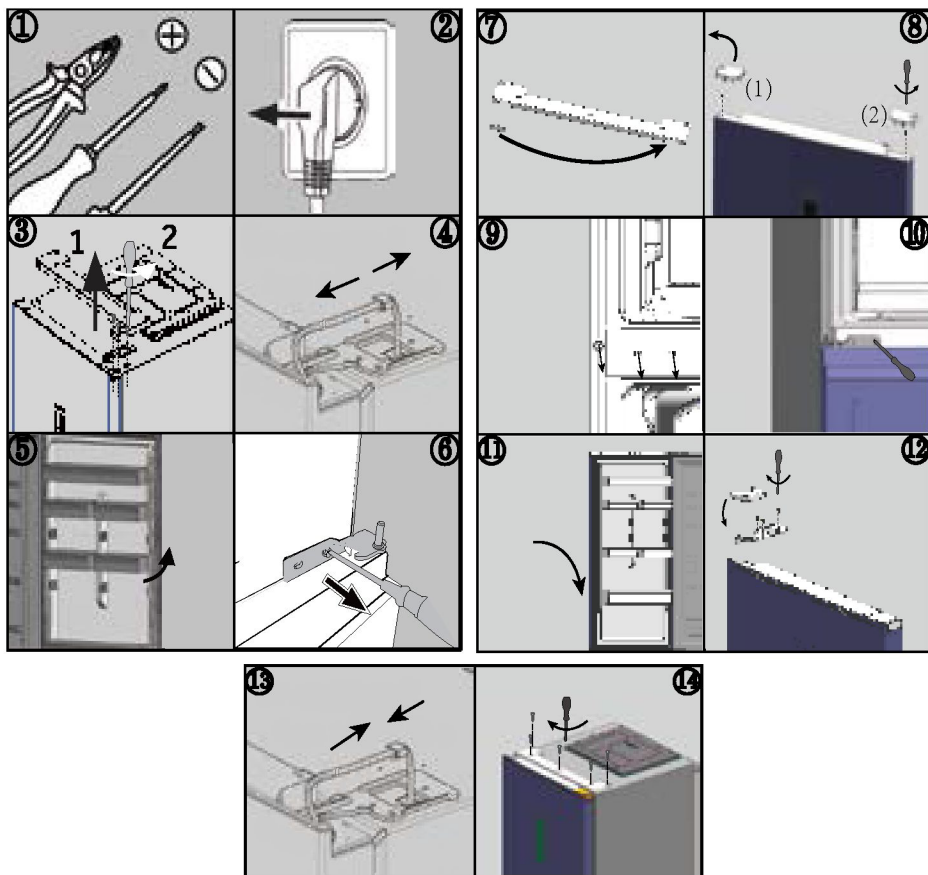
ПРЕДУПРЕЖДЕНИЕ!

- ▶ Уредът е тежък. Необходими са двама души, за да извършите обръщането на вратата.
- ▶ Преди всяка операция, първо изключете уреда от електрическата мрежа
- ▶ Не наклоняйте уреда на повече от 45°, за да предотвратите повреда на хладилната система.

Стъпки за сглобяване

1. Подгответе необходимите инструменти.
2. Изключете уреда от контакта.
3. Свалете капака на горната панта 1 и развийте горната панта (три винта) от дясната страна 2.
4. Изключете свързващия кабел
5. Повдигнете внимателно разхлабената врата на хладилника от средната панта.
6. Отстранете средната панта.
7. Отстранете малкия капак на предния панел от ляво на дясно.
8. Обърнете вратата с главата надолу и развийте капака (1). Извадете новия капак (2) от чантата с принадлежности и го завийте на срещуположната страна.
9. Променете позициите на глухите тапи и на винта отстрани.
10. Завийте средната панта към лявата страна на уреда. Не забравяйте да обърнете шарнира на средната панта, като се уверите, че страната с уплътнението е обърната нагоре
11. Повдигнете внимателно горната врата на средната панта. И се уверете, че шарнирът пасва в отвора на пантата на долната врата.
12. Извадете новата горна панта и капака на пантата от чантата с принадлежности. Прекарайте свързващия кабел през горната панта и фиксирайте горната панта с три винта от лявата страна на уреда. Поставете капака на пантата върху пантата.
13. Включете свързващия кабел.
14. Сменете предния панел и го фиксирайте с пет винта.

След смяната на вратата проверете дали уплътненията на вратата са разположени правилно върху корпуса и дали всички винтове са добре затегнати.



Температура на околната среда

Разширен умерен климат: „този хладилен уред е предназначен за използване при температура на околната среда в диапазона от 10°C до 32°C“;

Умерен климат: „този хладилен уред е предназначен за използване при температура на околната среда в диапазона от 16°C до 32°C“;

Субтропичен климат: „този хладилен уред е предназначен за използване при температура на околната среда в диапазона от 16°C до 38°C“;

Тропичен климат: този хладилен уред е предназначен за използване при температура на околната среда в диапазона от 16°C до 43°C;

Параметри на продукта съгласно регламент (ЕС) 2019/2016

Въз основа на стандартните резултати от теста за 24 часа. Реалното потребление на енергия ще зависи от начина на използване на уреда и неговото местоположение.

Модел	HTW5618DN*	HTW5620DN*	HTW5618EN*
Тип хладилен уред	Хладилник с фризер	Хладилник с фризер	Хладилник с фризер
Клас на енергийна ефективност	D	D	E
Годишно потребление на енергия (kWh/година)	217	226	271
Обем на хладилното отделение (л)	201	255	201
Обем на фризерното отделение (л)	125	125	125
Обем на охлаждащото отделение (л)	34	34	34
Клас на замразяване	4 звезди	4 звезди	4 звезди
Тип размразяване	Автоматично размразяване	Автоматично размразяване	Автоматично размразяване
Време на покачване на температурата (ч)	13	13	11
Капацитет на замразяване (кг/24 ч)	10,0	10,0	10,0
Климатичен клас	SN.N.ST.T	SN.N.ST.T	SN.N.ST.T
Клас на шумовите емисии и излъчваните във въздуха шумови емисии (dB(A) re 1pW)	B(35)	B(35)	B(35)



Модел	HTW5618CN*	HTW5620CN*	HTW5620EN*
Тип хладилен уред	Хладилник с фризер	Хладилник с фризер	Хладилник с фризер
Клас на енергийна ефективност	C	C	E
Годишно потребление на енергия (kWh/година)	173	181	283
Обем на хладилното отделение (л)	201	255	255
Обем на фризерното отделение (л)	125	125	125
Обем на охлаждащото отделение (л)	34	34	34
Клас на замразяване	4 звезди	4 звезди	4 звезди
Тип размразяване	Автоматично размразяване	Автоматично размразяване	Автоматично размразяване
Време на покачване на температурата (ч)	13	13	11
Капацитет на замразяване (кг/24 ч)	10,0	10,0	10,0
Климатичен клас	SN.N.ST.T	SN.N.ST.T	SN.N.ST.T
Клас на шумовите емисии и излъчваните във въздуха шумови емисии (dB(A) re 1pW)	B(35)	B(35)	B(35)



Модел	HDPW5618DN*	HDPW5620DN* HDPW3620DN*	HTW7620CN*
Тип хладилен уред	Хладилник с фризер	Хладилник с фризер	Хладилник с фризер
Клас на енергийна ефективност	D	D	C
Годишно потребление на енергия (kWh/година)	214	220	181
Обем на хладилното отделение (Л)	201	255	255
Обем на фризерното отделение (Л)	117	117	125
Обем на охлаждащото отделение (Л)	34	34	34
Клас на замразяване	4 звезди	4 звезди	4 звезди
Тип размразяване	Автоматично размразяване	Автоматично размразяване	Автоматично размразяване
Време на покачване на температурата (ч)	13	13	13
Капацитет на замразяване (кг/24 ч)	10,0	10,0	10,0
Климатичен клас	SN.N.ST.T	SN.N.ST.T	SN.N.ST.T
Клас на шумовите емисии и излъчваните във въздуха шумови емисии (dB(A) re 1pW)	B(35)	B(35)	B(35)



Модел	HDPW3618DN*	HDPW3620CN*	HTW3620DN*
Тип хладилен уред	Хладилник с фризер	Хладилник с фризер	Хладилник с фризер
Клас на енергийна ефективност	D	C	D
Годишно потребление на енергия (kWh/година)	214	176	226
Обем на хладилното отделение (л)	201	255	255
Обем на фризерното отделение (л)	117	117	125
Обем на охлаждащото отделение (л)	34	34	34
Клас на замразяване	4 звезди	4 звезди	4 звезди
Тип размразяване	Автоматично размразяване	Автоматично размразяване	Автоматично размразяване
Време на покачване на температурата (ч)	13	13	13
Капацитет на замразяване (кг/24 ч)	10,0	10,0	10,0
Климатичен клас	SN.N.ST.T	SN.N.ST.T	SN.N.ST.T
Клас на шумовите емисии и излъчваните във въздуха шумови емисии (dB(A) re 1pW)	B(35)	B(35)	B(35)



Модел	HDPW5618CN*	HDPW5620CN*	HDPW5620AN* HDPW7620AN*
Тип хладилен уред	Хладилник с фризер	Хладилник с фризер	Хладилник с фризер
Клас на енергийна ефективност	C	C	A
Годишно потребление на енергия (kWh/година)	171	176	114
Обем на хладилното отделение (Л)	201	255	255
Обем на фризерното отделение (Л)	117	117	120
Обем на охлаждащото отделение (Л)	34	34	34
Клас на замразяване	4 звезди	4 звезди	4 звезди
Тип размразяване	Автоматично размразяване	Автоматично размразяване	Автоматично размразяване
Време на покачване на температурата (ч)	13	13	16
Капацитет на замразяване (кг/24 ч)	10,0	10,0	10,0
Климатичен клас	SN.N.ST.T	SN.N.ST.T	SN.N.ST.T
Клас на шумовите емисии и излъчваните във въздуха шумови емисии (dB(A) re 1pW)	B(35)	B(35)	B(35)



Модел	HDPW5620BN*	HTW7620DN*	HDPW7620AAN*
Тип хладилен уред	Хладилник с фризер	Хладилник с фризер	Хладилник с фризер
Клас на енергийна ефективност	B	D	A
Годишно потребление на енергия (kWh/година)	142	226	92
Обем на хладилното отделение (л)	255	255	255
Обем на фризерното отделение (л)	120	125	120
Обем на охлаждащото отделение (л)	34	34	34
Клас на замразяване	4 звезди	4 звезди	4 звезди
Тип размразяване	Автоматично размразяване	Автоматично размразяване	Автоматично размразяване
Време на покачване на температурата (ч)	13	13	16
Капацитет на замразяване (кг/24 ч)	10,0	10,0	12,0
Климатичен клас	SN.N.ST.T	SN.N.ST.T	SN.N.ST.T
Клас на шумовите емисии и излъчваните във въздуха шумови емисии (dB(A) re 1pW)	B(35)	B(35)	B(35)



Модел	HTW5618DW*		
Тип хладилен уред	Хладилник с фризер		
Клас на енергийна ефективност	D		
Годишно потребление на енергия (kWh/година)	216		
Обем на хладилното отделение (л)	198		
Обем на фризерното отделение (л)	125		
Обем на охлаждащото отделение (л)	34		
Клас на замразяване	4 звезди		
Тип размразяване	Автоматично размразяване		
Време на покачване на температурата (ч)	13		
Капацитет на замразяване (кг/24 ч)	10,0		
Климатичен клас	SN.N.ST.T		
Клас на шумовите емисии и излъчваните във въздуха шумови емисии (dB(A) re 1pW)	B(35)		



Допълнителни технически данни

Модел	HTW5618DN*	HTW5618EN*	HTW5620DN*
Общ обем (Л)	360	360	414
Напрежение/Честота	220-240V/50Hz	220-240V/50Hz	220-240V/50Hz
входящ ток (А)	1,4	1,4	1,4
Главен предпазител (А)	16	16	16
Хладилен агент	R600a (53 г)	R600a (53 г)	R600a (53 г)
Размери (Ш/Д/В в мм)	595*667*1850	595*667*1850	595*667*2050

Модел	HTW5618CN*	HTW5620CN*	HTW5620EN*
Общ обем (Л)	360	414	414
Напрежение/Честота	220-240V/50Hz	220-240V/50Hz	220-240V/50Hz
входящ ток (А)	1,4	1,4	1,4
Главен предпазител (А)	15	15	16
Хладилен агент	R600a (50 г)	R600a (50 г)	R600a (53 г)
Размери (Ш/Д/В в мм)	595*667*1850	595*667*2050	595*667*2050



Модел	HDPW5618DN*	HDPW5620DN*	HDPW3620DN*
Общ обем (Л)	352	406	406
Напрежение/Честота	220-240V/50Hz	220-240V/50Hz	220-240V/50Hz
входящ ток (А)	1,4	1,4	1,4
Главен предпазител (А)	16	16	16
Хладилен агент	R600a (53 г)	R600a (53 г)	R600a (53 г)
Размери (Ш/Д/В в мм)	595*667*1850	595*667*2050	595*667*2050

Модел	HDPW5618CN*	HDPW5620CN*	HDPW5620AN*
Общ обем (Л)	352	406	409
Напрежение/Честота	220-240V/50Hz	220-240V/50Hz	220-240V/50Hz
входящ ток (А)	1,4	1,4	1,4
Главен предпазител (А)	15	15	16
Хладилен агент	R600a (50 г)	R600a (50 г)	R600a (50 г)
Размери (Ш/Д/В в мм)	595*667*1850	595*667*2050	595*667*2050



Допълнителни технически данни

Модел	HDPW3618DN*	HDPW3620CN*	HTW3620DN*
Общ обем (Л)	352	406	414
Напрежение/Честота	220-240V/50Hz	220-240V/50Hz	220-240V/50Hz
входящ ток (А)	1,4	1,4	1,4
Главен предпазител (А)	16	15	16
Хладилен агент	R600a (53 г)	R600a (50 г)	R600a (53 г)
Размери (Ш/Д/В в мм)	595*667*1850	595*667*2050	595*667*2050

Модел	HDPW7620AAN*	HDPW5620BN*	HDPW7620AN*
Общ обем (Л)	409	409	409
Напрежение/Честота	220-240V/50Hz	220-240V/50Hz	220-240V/50Hz
входящ ток (А)	1,4	1,4	1,4
Главен предпазител (А)	16	16	16
Хладилен агент	R600a (55 г)	R600a (50 г)	R600a (50 г)
Размери (Ш/Д/В в мм)	595*667*2050	595*667*2050	595*667*2050

**Допълнителни технически данни**

Модел	HTW7620DN*	HTW7620CN*	HTW5618DW*
Общ обем (л)	414	414	357
Напрежение/Честота	220~240V/50Hz	220~240V/50Hz	220~240V/50Hz
входящ ток (А)	1,4	1,4	1,4
Главен предпазител (А)	16	15	16
Хладилен агент	R600a (53 г)	R600a (50 г)	R600a (53 г)
Размери (Ш/Д/В в мм)	595*667*2050	595*667*2050	595*667*1850



Препоръчваме да се консултирате с отдела по обслужване на клиенти на Haier и да използвате оригинални резервни части.

Ако имате проблем с Вашия уред, първо проверете раздела „ОТСТРАНЯВАНЕ НА НЕИЗПРАВНОСТИ“.

Ако не успеете да намерите решение там, моля, обърнете се към

- ▶ Вашия местен търговец или
- ▶ нашия Европейски център за обслужване на клиенти по телефона (вижте телефонните номера по-долу) или
- ▶ раздела „Обслужване и поддръжката“ на адрес www.haier.com, където можете да направите
- ▶ заявка за обслужване, както и да намерите често задавани въпроси.

За да се свържете с нашия отдел за обслужване на клиенти, се уверете, че разполагате със следните данни.

Информацията може да бъде намерена на табелката с данни.

Модел _____

Сериен № _____

Също така проверете предоставената с продукта гаранционна карта, в случай, че е предоставена гаранция.

Европейски център за обслужване на клиенти по телефона		
Държава*	Телефонен номер	Цена
Haier Italy (IT)	199 100 912	
Haier Spain (ES)	902 509 123	
Haier Germany (DE)	0180 5 39 39 99	<ul style="list-style-type: none"> • 14 цента/мин стационарен • макс. 42 цента/мин мобилен
Haier Austria (AT)	0820 001 205	<ul style="list-style-type: none"> • 14,53 цента/мин стационарен • макс. 20 цента/мин всички останали
Haier United Kingdom (UK)	0333 003 8122	
Haier France (FR)	0980 406 409	



* За други държави, вижте www.haier.com

Haier Europe Trading S.r.l

Branch UK

Westgate House, Westgate, Ealing

London, W5 1YY

*Продължителност на гаранцията на хладилния уред:

Минималната гаранция е: 2 години за държавите от ЕС, 3 години за Турция, 1 година за Великобритания, 1 година за Русия, 3 години за Швеция, 2 години за Сърбия, 5 години за Норвегия, 1 година за Мароко, 6 месеца за Алжир, за Тунис не се изисква правна гаранция.

*Период на наличие на резервни части за ремонт на уреда:

Термостати, температурни сензори, платки и светлинни източници се предлагат за минимален период от седем години след излизане на последния уред от модела на пазара.

Дръжки за врата, панци за врата, тави и кошници се предлагат за минимален период от седем години, а уплътнения за вратата за минимален период от 10 години след излизане на последния уред от модела на пазара.

*За допълнителна информация относно продукта, моля, вижте

<https://eprel.ec.europa.eu/> или сканирайте QR кода на енергийния етикет, предоставен с уреда.

5 Bezpečnostní informace

Před prvním použitím 6

Instalace 6

Každodenní používání 7

10 Určené použití**11 Popis výrobku****22 Ovládací panel****23 Používání**

Nastavení teploty v chladničce 24

Nastavení teploty v mrazničce 24

Nastavení teploty v My Zone 24

Funkce Super Cool 25

Funkce Super Freeze 26

31 Vybavení**35 Tipy pro úsporu energie****36 Čištění a údržba****39 Řešení problémů****43 Instalace****47 Technické údaje****58 Zákaznický servis**

Kliknutím na obsah zobrazte podrobné informace.

Děkujeme vám, že jste si koupili výrobek značky Haier.

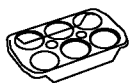
Před použitím spotřebiče si pozorně přečtěte tyto pokyny. Obsahují důležité informace, které vám pomohou co nejlépe využít spotřebič a zajistit jeho bezpečnou a správnou instalaci, používání a údržbu.

Uschovejte tuto příručku na praktickém místě, abyste do ní mohli kdykoli nahlédnout ohledně bezpečného a správného používání spotřebiče.

Pokud spotřebič prodáváte, věnujete nebo necháváte ve starém domě, předejte společně s ním také tuto příručku, aby se mohl nový vlastník seznámit se spotřebičem a přečíst si bezpečnostní varování.

Příslušenství

Zkontrolujte příslušenství a literaturu podle tohoto seznamu:



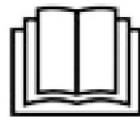
Zásobník na vejce



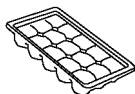
Energetický štítek



Záruční list



Uživatelská příručka



Forma na kostky ledu



Závěsy dveří



Kryt závěsu



Vložka uzávěru

**VAROVÁNÍ – Důležité bezpečnostní informace****UPOZORNĚNÍ – Všeobecné informace a tipy****Informace týkající se životního prostředí****Likvidace**

Pomáhejte chránit životní prostředí a lidské zdraví. Vložte obalový materiál do vhodných kontejnerů pro recyklaci. Pomáhejte recyklovat odpadní elektrické a elektronické spotřebiče. Spotřebiče označené tímto symbolem nevyhazujte do domovního odpadu. Zašlete výrobek do místního recyklačního závodu, nebo se obraťte na váš obecní úřad.

**VAROVÁNÍ!**

Nebezpečí poranění nebo udušení!

Chladiva a plyny vyžadují profesionální likvidaci. Zajistěte, aby se potrubí chladicího okruhu nepoškodilo, než bude náležitě zlikvidováno. Odpojte spotřebič od síťového napájení. Odstrihněte síťový kabel a zlikvidujte ho. Odstraňte police a přihrádky, stejně jako západku a těsnění dvířek, aby nedošlo k uzavření dětí a domácích zvířat uvnitř spotřebiče.



Před prvním zapnutím spotřebiče si přečtěte následující rady týkající se bezpečnosti:



VAROVÁNÍ!

Před prvním použitím

- ▶ Ujistěte se, že při přepravě nedošlo k žádnému poškození.
- ▶ Odstraňte veškerý obalový materiál a uschovejte ho mimo dosah dětí.
- ▶ Před instalací spotřebiče počkejte alespoň dvě hodiny, aby byla zaručena plná účinnost okruhu chladiva.
- ▶ Se spotřebičem vždy manipulujte alespoň ve dvou osobách, protože je těžký.

Instalace

- ▶ Spotřebič by se měl umístit do dobře větrané místnosti. Nad spotřebičem a kolem něj zajistěte volný prostor alespoň 10 cm.
- ▶ Nikdy neumísťujte spotřebič do vlhkého prostoru nebo na místo, kde by na něj mohla stříkat voda. Vodu a skvrny odstraňte a vysušte měkkou, čistou látkou.
- ▶ Neinstalujte spotřebič na přímé sluneční světlo nebo do blízkosti zdrojů tepla (např. sporáků nebo ohříváčů).
- ▶ Nainstalujte spotřebič na místo odpovídající jeho velikost a používání a vyrovnejte ho.
- ▶ Zajistěte, aby nic nezakrývalo větrací otvory ve spotřebiči nebo v konstrukci pro vestavění.
- ▶ Ujistěte se, že parametry elektrického napájení se shodují s údaji na výrobním štítku. V opačném případě kontaktujte elektrikáře.
- ▶ Spotřebič pracuje s napájením 220–240 VAC/50 Hz. Nenormální kolísání napětí může způsobit, že spotřebič se nespustí, nebo se poškodí regulátor teploty či kompresor, případně se může za chodu ozývat neobvyklý hluk. V takovém případě by se měl nainstalovat automatický regulátor.
- ▶ Nepoužívejte rozbočovací adaptéry ani prodlužovací kabely.
- ▶ Neumisťujte za spotřebič přenosné rozbočovací zásuvky ani prodlužovací kabely.
- ▶ Ujistěte se, že napájecí kabel není zachycen chladničkou. Nešlapejte na napájecí kabel.



VAROVÁNÍ!

- ▶ K napájení použijte samostatnou, snadno přístupnou uzemněnou zásuvku. Tento spotřebič musí být uzemněný.
Pouze pro Spojené království: Napájecí kabel spotřebiče je vybaven trojpólovou zástrčkou (s uzemněním), která se zapojuje do standardní trojpólové zásuvky (s uzemněním). Nikdy neodřezávejte ani nedemontujte třetí kolík (uzemnění). Zástrčka by měla být přístupná i po instalaci spotřebiče.
- ▶ Nepoškodte okruh chladiva.

Každodenní používání

- ▶ Tento spotřebič mohou používat děti starší osmi let a osoby s omezenými fyzickými, smyslovými nebo duševními schopnostmi nebo osoby nezkušené a neznalé za předpokladu, že mají zajištěný dohled nebo byly poučeny o bezpečném používání spotřebiče a chápou související rizika.
- ▶ Děti ve věku od 3 do 8 let mohou spotřebič plnit a vyprazdňovat, ale nesmějí jej čistit ani instalovat.
- ▶ Zabraňte dětem mladším 3 let v přístupu ke spotřebiči, pokud nejsou pod nepřetržitým dozorem.
- ▶ Děti si se spotřebičem nesmějí hrát.
- ▶ Jestliže v blízkosti spotřebiče uniká chladný plyn nebo jiný hořlavý plyn, vypněte ventil unikajícího plynu, otevřete dveře a okna a neodpojujte zástrčku napájecího kabelu chladničky nebo jakéhokoli jiného spotřebiče od zásuvky.
- ▶ Upozorňujeme, že spotřebič je nastaven na provoz při určitém rozsahu teplot mezi 10 a 43 °C. Spotřebič nemusí řádně fungovat, pokud je po dlouhou dobu vystaven teplotám nad nebo pod indikovaným rozsahem.
- ▶ Nepokládejte na horní stranu chladničky nestabilní předměty (těžké předměty, nádoby naplněné vodou), aby se předešlo zranění způsobenému pádem nebo elektrickým proudem v důsledku styku s vodou.
- ▶ Netahejte za police ve dvířkách. Dvířka by se mohla vychýlit, mohla by se vytáhnout police na láhve nebo by se spotřebič mohl převrhnout.
- ▶ Otvírejte a zavírejte dvířka pouze pomocí madel. Mezera mezi dvířky a mezi dvířky a skříní je velmi úzká. Nedávejte do těchto míst ruce, abyste si nepřiskřípli prsty. Dvířka chladničky otvírejte nebo zavírejte pouze v případě, že v dosahu jejich pohybu nestojí žádné děti.



VAROVÁNÍ!

- ▶ Ve spotřebiči nebo v jeho blízkosti neskladujte ani nepoužívejte hořlavé, výbušné nebo korozivní látky.
- ▶ Ve spotřebiči neskladujte léky, bakterie ani chemické látky. Tento spotřebič je určen k použití v domácnosti. Nedoporučuje se skladovat materiály, které vyžadují přesně stanovené teploty.
- ▶ Do mrazničky nikdy neukládejte tekutiny v láhvích nebo plechovkách (kromě vysokoprocentních lihovin), a zejména nápoje syčené oxidem uhličitým, protože by během mrazení praskly.
- ▶ Pokud se v mrazničce zvýší teplota, zkontrolujte stav potravin.
- ▶ Nenastavujte zbytečně nízkou teplotu ve vnitřním prostoru chladničky. Při vysokém nastavení může teplota klesnout do záporných hodnot. Pozor: Láhve mohou prasknout
- ▶ Nedotýkejte se mražených potravin mokřýma rukama (nose rukavice). Zejména nejezte nanuky bezprostředně po vyjmutí z prostoru mrazničky. Hrozí nebezpečí přimrznutí nebo vzniku omrzlin. PRVNÍ POMOC: ihned umístěte zasažené místo pod tekoucí studenou vodu. Neodtrhujte!
- ▶ Za provozu se nedotýkejte vnitřního povrchu úložného prostoru mrazničky, zejména ne mokřýma rukama, protože by mohly přimrznout k povrchu.
- ▶ V případě výpadku napájení nebo před čištěním odpojte spotřebič od napájení. Před opětovným spuštěním spotřebiče počkejte alespoň 7 minut, protože časté spouštění by mohlo poškodit kompresor.
- ▶ Uvnitř prostoru pro skladování potravin ve spotřebiči nepoužívejte elektrická zařízení, pokud se nejedná o zařízení doporučené výrobcem. Údržba/čištění
- ▶ Jestliže jsou čištění a údržba prováděny dětmi, je nutné na ně dohlížet.
- ▶ Před zahájením jakékoli pravidelné údržby odpojte spotřebič od elektrického napájení. Před opětovným spuštěním spotřebiče počkejte alespoň 5 minut, protože časté spouštění by mohlo poškodit kompresor.



VAROVÁNÍ!

- ▶ Při odpojování spotřebiče od napájení držte zástrčku, nikoli kabel.
- ▶ Nečistěte spotřebič tvrdými kartáči, drátěnými kartáči, práškovými čisticími prostředky, benzínem, amylacetátem, acetonem a podobnými organickými roztoky a kyselými nebo zásaditými roztoky. K čištění použijte speciální čisticí prostředek na chladničky, aby se zamezilo poškození.
- ▶ Neseškrabávejte námrazu a led ostrými předměty. Nepoužívejte spreje, elektrické ohřívače jako fén na vlasy, parní čističe ani jiné zdroje tepla, aby nedošlo k poškození plastových součástí.
- ▶ K rozmrazování nepoužívejte mechanické nástroje ani jiné prostředky. Používejte pouze prostředky doporučené výrobcem.
- ▶ Pokud se poškodí napájecí kabel, výměnu musí provést výrobce, jeho servisní zástupce nebo osoba s podobnou kvalifikací, aby se vyloučilo riziko.
- ▶ Nepokoušejte se opravovat, rozebírat nebo upravovat spotřebič vlastními silami. Je-li nutná oprava, obraťte se na náš zákaznický servis.
- ▶ Alespoň jednou za rok odstraňte prach ze zadní strany spotřebiče, aby se předešlo nebezpečí požáru a nezvyšovala se spotřeba energie.
- ▶ Během čištění na spotřebič nestříkejte ani jej neoplachujte.
- ▶ K čištění spotřebiče nepoužívejte vodní postřik ani proud vody.
- ▶ Nečistěte chladné skleněné police horkou vodou. Náhlá změna teploty by mohla způsobit, že sklo praskne.

Informace o plynném chladiivu



VAROVÁNÍ!

Spotřebič obsahuje hořlavé chladiivo ISOBUTAN (R600a). Ujistěte se, že během přepravy nebo instalace nedošlo k poškození okruhu chladiiva. Unikající chladiivo by mohlo způsobit zranění očí, nebo by se mohlo vznítit. Pokud dojde k poškození, nepřibližujte se s otevřeným plamenem, důkladně vyvětrejte místnost a nezapojujte ani neodpojujte napájecí kabely tohoto či jiných spotřebičů. Informujte zákaznický servis.

V případě zasažení očí chladiivem důkladně vypláchněte oči pod tekoucí vodou a ihned zavolejte očnímu lékaři.



Určené použití

Tento spotřebič je určen k chlazení a mrazení potravin. Je určen výhradně k používání v domácnostech a podobných oblastech, jako jsou kuchyňky pro personál v obchodech, kancelářích a na dalších pracovištích, chalupy a hotely, motely a další obytné objekty, kde je používají zákazníci, stejně jako ubytovací zařízení typu penzionu se snídaní a cateringové služby. Není určen k používání v komerčním nebo průmyslovém prostředí.

Na spotřebiči neprovádějte žádné změny nebo úpravy. Používání k jinému než určenému účelu může představovat nebezpečí a vést ke ztrátě platnosti záruky.

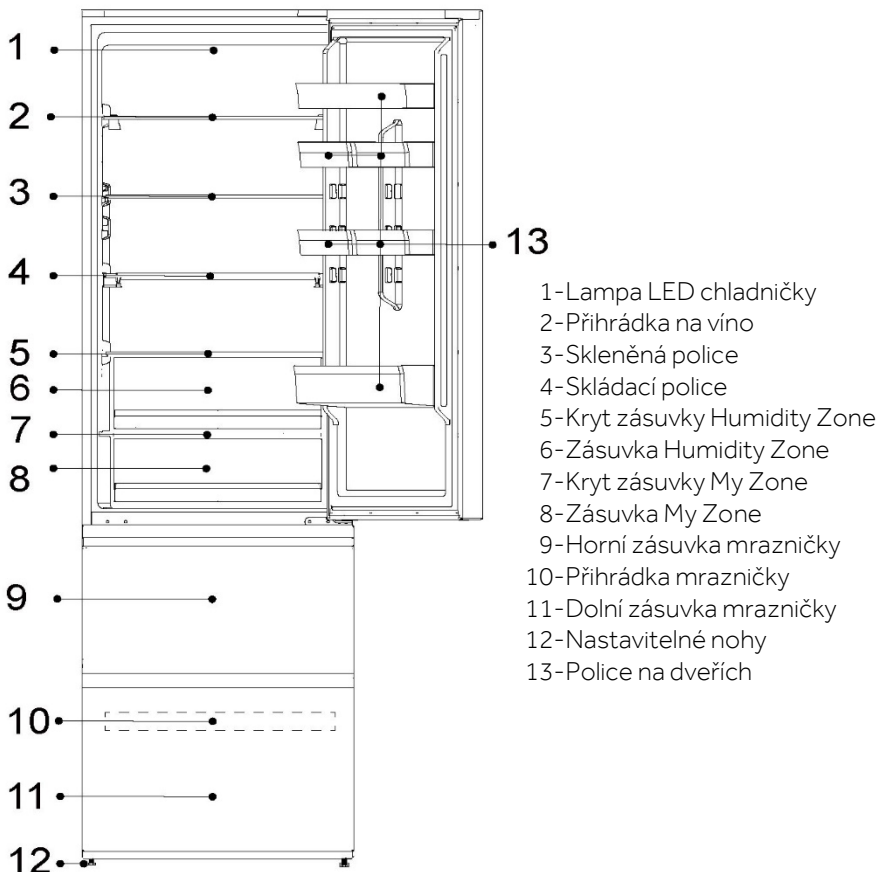
Normy a směrnice

Tento výrobek splňuje požadavky všech platných směrnic ES s odpovídajícími harmonizovanými normami, které stanoví používání označení CE.

i UPOZORNĚNÍ

Vzhledem k technickým změnám a různým modelům nemusí některé obrázky v této příručce přesně zobrazovat váš model.

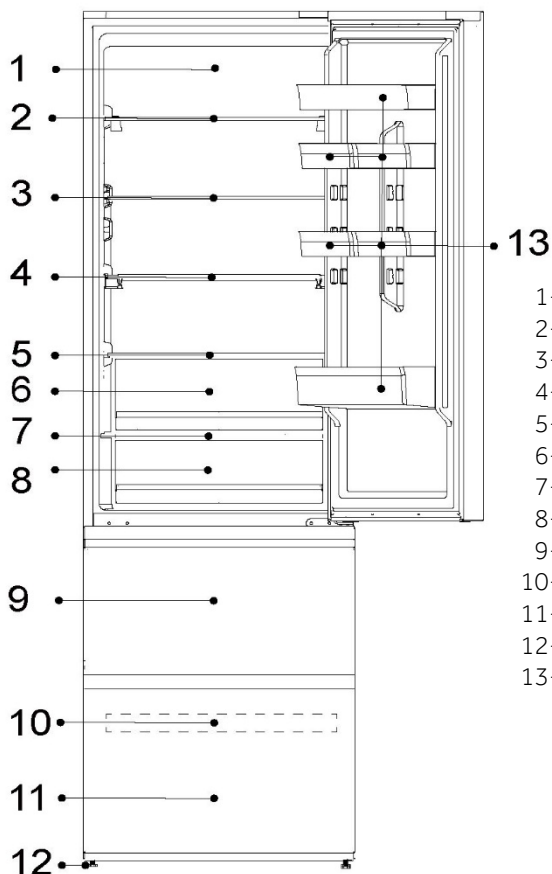
(HTW5620DN*, HTW5620CN*, HTW5620EN*)



i UPOZORNĚNÍ

Vzhledem k technickým změnám a různým modelům nemusí některé obrázky v této příručce přesně zobrazovat váš model.

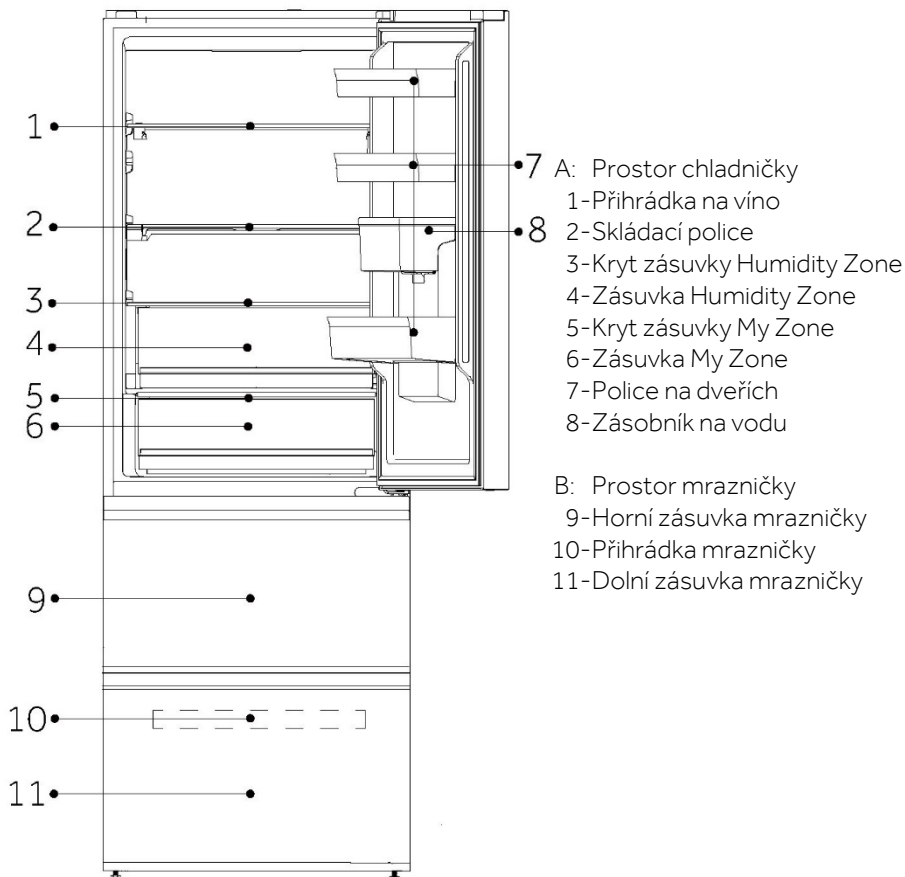
(HTW7620AN*, HTW7620CN*, HTW7620DN*)



- 1-Systém Daylight LED
- 2-Přihrádka na víno
- 3-Skleněná police
- 4-Skládací police
- 5-Kryt zásuvky Humidity Zone
- 6-Zásuvka Humidity Zone
- 7-Kryt zásuvky My Zone
- 8-Zásuvka My Zone
- 9-Horní zásuvka mrazničky
- 10-Přihrádka mrazničky
- 11-Dolní zásuvka mrazničky
- 12-Nastavitelné nohy
- 13-Police na dveřích

i UPOZORNĚNÍ

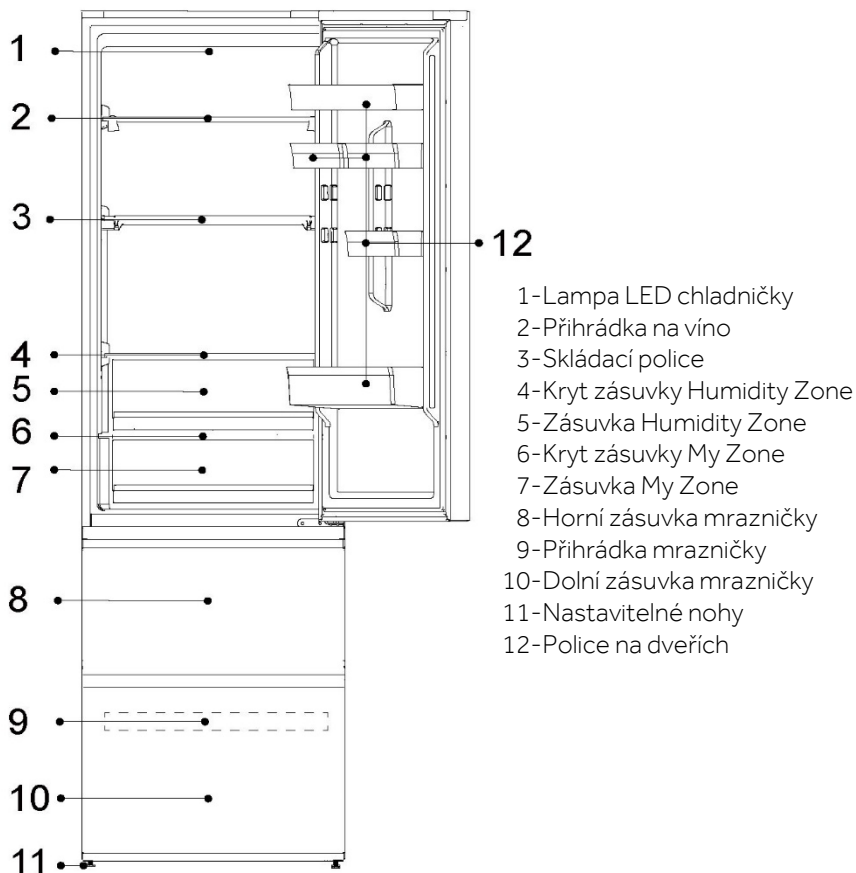
Vzhledem k technickým změnám a různým modelům nemusí některé obrázky v této příručce přesně zobrazovat váš model.
(HTW5618DW*)



i UPOZORNĚNÍ

Vzhledem k technickým změnám a různým modelům nemusí některé obrázky v této příručce přesně zobrazovat váš model.

(HTW5618DN*, HTW5618CN*, HTW5618EN*)

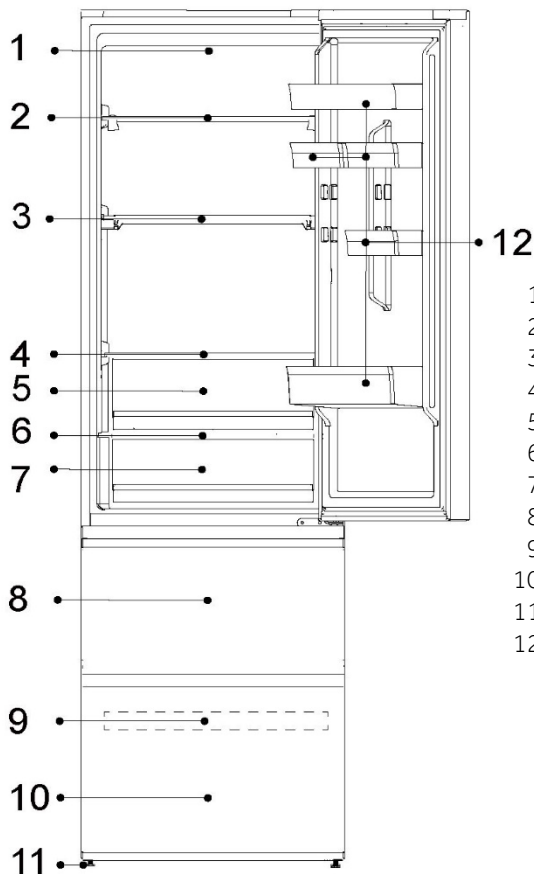


- 1-Lampa LED chladničky
- 2-Příhrádka na víno
- 3-Skládací police
- 4-Kryt zásuvky Humidity Zone
- 5-Zásuvka Humidity Zone
- 6-Kryt zásuvky My Zone
- 7-Zásuvka My Zone
- 8-Horní zásuvka mrazničky
- 9-Příhrádka mrazničky
- 10-Dolní zásuvka mrazničky
- 11-Nastavitelné nohy
- 12-Police na dveřích

i UPOZORNĚNÍ

Vzhledem k technickým změnám a různým modelům nemusí některé obrázky v této příručce přesně zobrazovat váš model.

(HTW3620DN*)

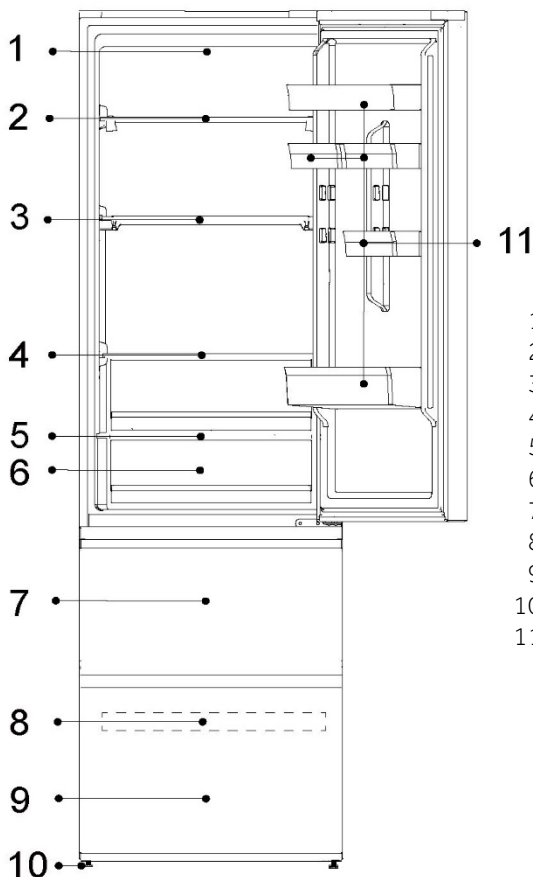


- 1-Lampa LED chladničky
- 2-Skleněná police
- 3-Skleněná police
- 4-Skleněná police
- 5-Skleněná police
- 6-Kryt zásuvky My Zone
- 7-Zásuvka My Zone
- 8-Horní zásuvka mrazničky
- 9-Příhrádka mrazničky
- 10-Dolní zásuvka mrazničky
- 11-Nastavitelné nohy
- 12-Police na dveřích

i UPOZORNĚNÍ

Vzhledem k technickým změnám a různým modelům nemusí některé obrázky v této příručce přesně zobrazovat váš model.

(HTW3618DN*, HTW3618CN*, HTW3618EN*)

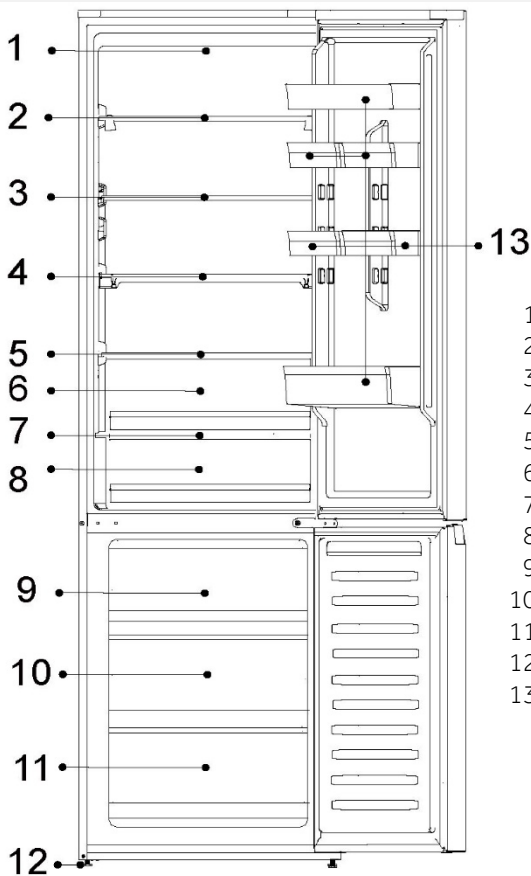


- 1-Lampa LED chladničky
- 2-Skleněná police
- 3-Skleněná police
- 4-Skleněná police
- 5-Kryt zásuvky My Zone
- 6-Zásuvka My Zone
- 7-Horní zásuvka mrazničky
- 8-Příhrádka mrazničky
- 9-Dolní zásuvka mrazničky
- 10-Nastavitelné nohy
- 11-Police na dveřích

i UPOZORNĚNÍ

Vzhledem k technickým změnám a různým modelům nemusí některé obrázky v této příručce přesně zobrazovat váš model.

(HDPW5620DN*, HDPW5620CN*, HDPW5620AN*, HDPW5620BN*)

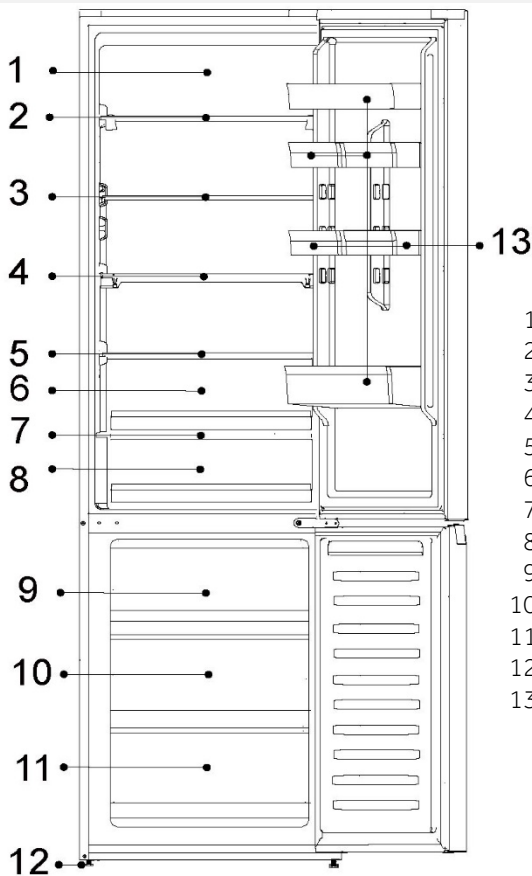


- 1-Lampa LED chladničky
- 2-Příhrádka na víno
- 3-Skleněná police
- 4-Skládací police
- 5-Kryt zásuvky Humidity Zone
- 6-Zásuvka Humidity Zone
- 7-Kryt zásuvky My Zone
- 8-Zásuvka My Zone
- 9-Horní zásuvka mrazničky
- 10-Střední zásuvka mrazničky
- 11-Dolní zásuvka mrazničky
- 12-Nastavitelné nohy
- 13-Police na dveřích

i UPOZORNĚNÍ

Vzhledem k technickým změnám a různým modelům nemusí některé obrázky v této příručce přesně zobrazovat váš model.

(HDPW7620AN*, HDPW7620AAN*)

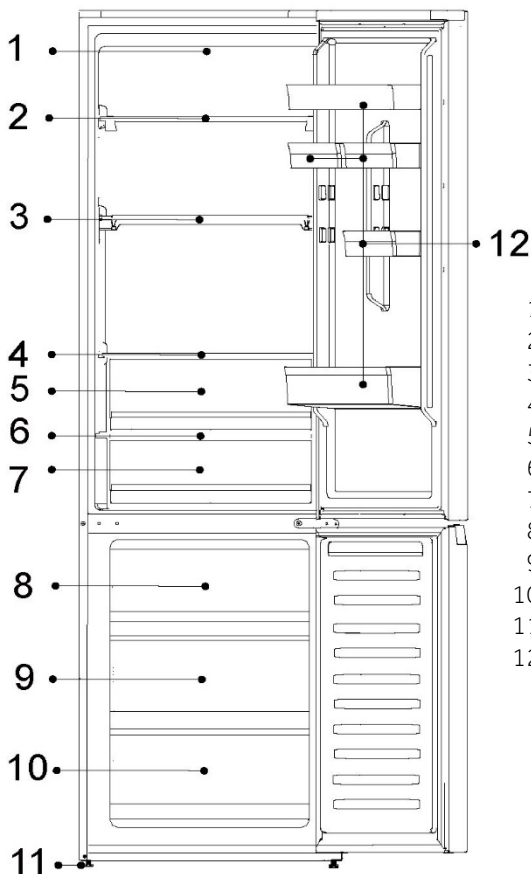


- 1-Systém Daylight LED
- 2-Příhrádka na víno
- 3-Skleněná police
- 4-Skládací police
- 5-Kryt zásuvky Humidity Zone
- 6-Zásuvka Humidity Zone
- 7-Kryt zásuvky My Zone
- 8-Zásuvka My Zone
- 9-Horní zásuvka mrazničky
- 10-Střední zásuvka mrazničky
- 11-Dolní zásuvka mrazničky
- 12-Nastavitelné nohy
- 13-Police na dveřích

i UPOZORNĚNÍ

Vzhledem k technickým změnám a různým modelům nemusí některé obrázky v této příručce přesně zobrazovat váš model.

(HDPW5618DN*, HDPW5618CN*)

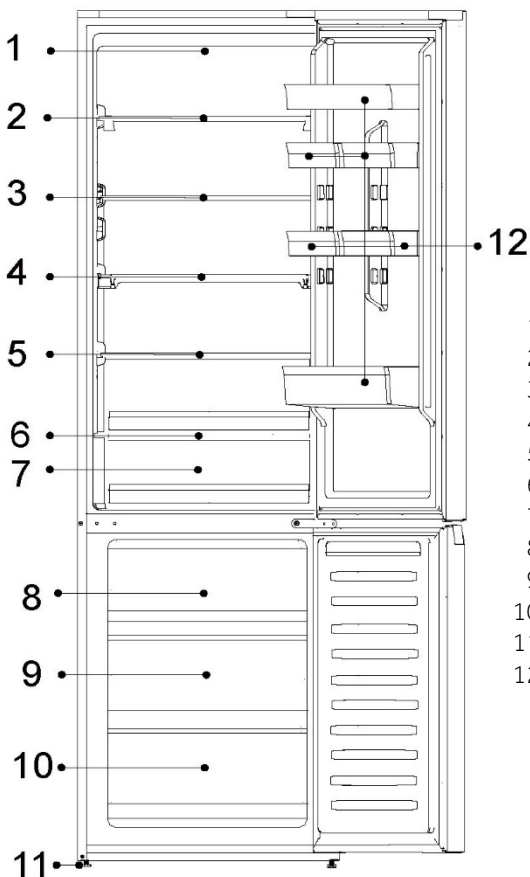


- 1-Lampa LED chladničky
- 2-Přihrádka na víno
- 3-Skládací police
- 4-Kryt zásuvky Humidity Zone
- 5-Zásuvka Humidity Zone
- 6-Kryt zásuvky My Zone
- 7-Zásuvka My Zone
- 8-Horní zásuvka mrazničky
- 9-Střední zásuvka mrazničky
- 10-Dolní zásuvka mrazničky
- 11-Nastavitelné nohy
- 12-Police na dveřích

i UPOZORNĚNÍ

Vzhledem k technickým změnám a různým modelům nemusí některé obrázky v této příručce přesně zobrazovat váš model.

(HDPW3620DN*, HDPW3620CN*)

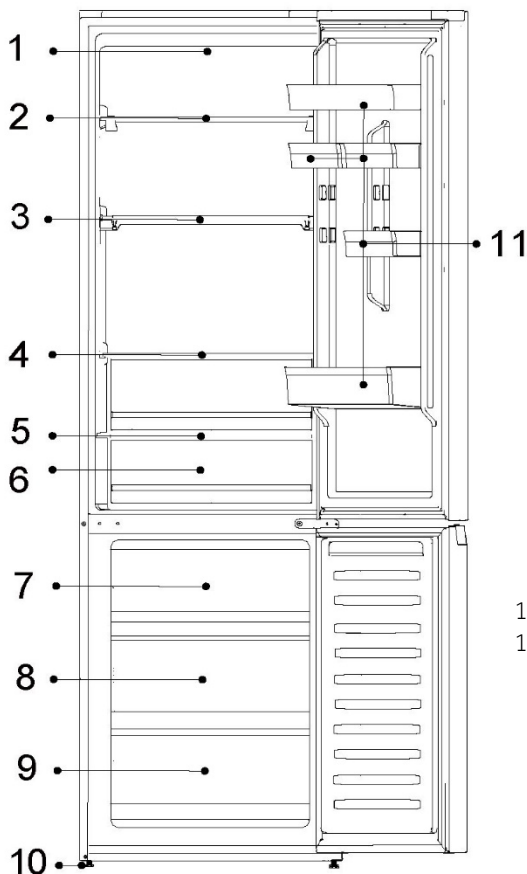


- 1-Lampa LED chladničky
- 2-Skleněná police
- 3-Skleněná police
- 4-Skleněná police
- 5-Skleněná police
- 6-Kryt zásuvky My Zone
- 7-Zásuvka My Zone
- 8-Horní zásuvka mrazničky
- 9-Střední zásuvka mrazničky
- 10-Dolní zásuvka mrazničky
- 11-Nastavitelné nohy
- 12-Police na dveřích

i UPOZORNĚNÍ

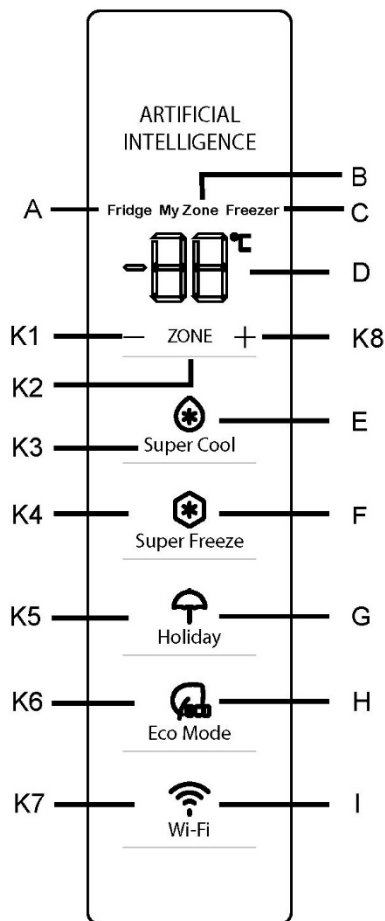
Vzhledem k technickým změnám a různým modelům nemusí některé obrázky v této příručce přesně zobrazovat váš model.

(HDPW3618DN*)



- 1-Lampa LED chladničky
- 2-Skleněná police
- 3-Skleněná police
- 4-Skleněná police
- 5-Kryt zásuvky My Zone
- 6-Zásuvka My Zone
- 7-Horní zásuvka mrazničky
- 8-Střední zásuvka mrazničky
- 9-Dolní zásuvka mrazničky
- 10-Nastavitelné nohy
- 11-Police na dveřích

Ovládací panel



Indikátory:

- A Prostor chladničky
- B Mrazicí box (My Zone)
- C Prostor mrazničky
- D Zobrazení teploty
- E Funkce Super Cool
- F Funkce Super Freeze
- G Funkce Holiday
- H Funkce Eco Mode I Funkce Wi-Fi

Tlačítka:

- K1 Snížení teploty
- K2 Výběr Fridge, My Zone a Freezer
- K3 Vypínač funkce Super Cool
- K4 Vypínač funkce Super Freeze
- K5 Vypínač funkce Holiday
- K6 Vypínač funkce Eco Mode
- K7 Zapnutí/vypnutí funkce Wi-Fi
- K8 Zvýšení teploty

Před prvním použitím

Odstraňte všechny obalové materiály, uchovávejte je mimo dosah dětí a zlikvidujte je způsobem šetrným k životnímu prostředí.

Vnitřek a vnějšek spotřebiče, jakož i vnitřek a příslušenství vyčistěte vodou a jemným čisticím prostředkem a dobře je osušte měkkým hadříkem.

Po vyrovnání a vyčištění počkejte alespoň 2 hodiny, než spotřebič připojíte k napájení. Viz část INSTALACE.

Než naplníte prostory potravinami, nejprve je nechte ochladit na vysoké nastavení. Funkce Super Freeze pomáhá rychle zchladit mrazicí prostor

Dotyková tlačítka

Na ovládacím panelu jsou dotyková tlačítka, která reagují již na lehký dotyk prstem.

Zapínání/vypínání spotřebiče

Spotřebič se spustí ihned po připojení k napájení.

Při prvním zapnutí spotřebiče se na ukazatelích teploty „D“ zobrazí přednastavené hodnoty (viz níže uvedené oznámení).

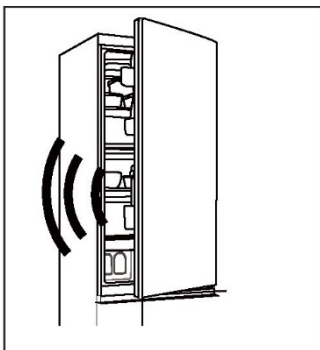
UPOZORNĚNÍ

Spotřebič je přednastaven na doporučené teploty 5 °C (chladnička) a -18 °C (mraznička). Teplota v prostoru My Zone je přednastavena na přibližně 2 °C. Jedná se o doporučené nastavení. V případě potřeby můžete tyto teploty změnit ručně.

Alarm otevřených dvířek

Pokud jsou dvířka chladničky otevřená déle než 3 minuty, zazní alarm otevření dvířek.

Alarm lze ukončit zavřením dvířek. Pokud jsou dveře otevřené déle než 7 minut, světlo uvnitř chladničky a osvětlení ovládacího panelu se automaticky vypnou.



Nastavení teploty

Vnitřní teploty jsou ovlivňovány následujícími faktory:

- ▶ Okolní teplota
- ▶ Frekvence otevírání dvířek
- ▶ Množství uskladněných potravin
- ▶ Instalace spotřebiče



Nastavení teploty v chladničce

1. Stisknutím tlačítka „K2“ (volba Fridge/ (My Zone)/ Freezer) zvolte prostor Chladnička. Ikony „A“ (prostor chladničky) a „D“ (ukazatel teploty) jasně svítí.
2. Stisknutím tlačítka „K1/K8“ nastavte teplotu chladničky.

Teplota se zvyšuje v krocích po 1 °C od minimální hodnoty 2 °C do maximální hodnoty 8 °C. Optimální teplota v chladničce je 5 °C. Nižší teploty znamenají zbytečnou spotřebu energie.

3. Přibližně po 5 s se ikona teploty „D“ (zobrazení teploty) trvale rozsvítí a nastavení je potvrzeno.

Nastavení teploty v mrazničce

1. Stisknutím tlačítka „K2“ (volba Fridge/ (My Zone)/ Freezer) vyberte prostor mrazničky, ikony „C“ (prostor mrazničky) a „D“ (zobrazení teploty) jasně svítí.
2. Stisknutím tlačítka „K1/K8“ nastavte teplotu mrazničky.

Teplota se zvyšuje po 1 °C, od minima -24 °C do maxima -16 °C. Optimální teplota v chladničce je -18 °C. Nižší teploty znamenají zbytečnou spotřebu energie.

3. Přibližně po 5 s se indikátor teploty „D“ (zobrazení teploty) trvale rozsvítí a nastavení je potvrzeno.

Nastavení teploty v My Zone

Prostor chladničky je vybaven zásuvkou My Zone. Podle požadavků na skladování potravin lze zvolit nejvhodnější teplotu pro dosažení optimální výživové hodnoty potravin.

1. Stisknutím tlačítka „K2“ (volba Fridge/ (My Zone)/ Freezer) zvolte prostor My Zone. Ikony „B“ (prostor My Zone) a „D“ (ukazatel teploty) jasně svítí.
2. Stisknutím tlačítka „K1/K8“ nastavte teplotu My Zone.

Teplota se zvyšuje po 1 °C, od minima 0 °C do maxima 5 °C.

3. Přibližně po 5 s se ikona teploty „D“ (zobrazení teploty) trvale rozsvítí a nastavení je potvrzeno.

UPOZORNĚNÍ

1. Teplotu v prostoru My Zone můžete nastavit na střední úroveň (2 °C), abyste potraviny uchovali v optimálním prostředí.
2. Vzhledem k rozdílnému obsahu vody v masě se některé druhy masa s vyšší vlhkostí zmrazují při teplotách nižších než 0 °C, proto by se mělo „čerstvě nakrájené“ maso skladovat v zásuvce My Zone s minimální teplotou 0 °C.
3. V zásuvce My Zone by se nemělo uchovávat ovoce citlivé na chlad, například ananas, avokádo, banány, grapefruity, zelenina jako brambory, lilky, fazole, okurky, cukety a rajčata a sýry.
4. Pokud je teplota v chladničce nižší než teplota My Zone, je normální, že teplota My Zone je nižší než nastavená teplota My Zone.
5. Pokud je pokojová teplota nižší než 8 °C, teplota v zásuvce My Zone bude vždy kolem 0 °C.

UPOZORNĚNÍ

Pokud po nastavení teploty stisknete do 5 sekund další tlačítka, okamžitě se potvrdí aktuální nastavení teploty. Pokud do 5 sekund neprovedete žádnou operaci s tlačítkem, zobrazí se aktuální nastavená teplota, dokud obrazovka nezhasne.

UPOZORNĚNÍ

Aplikace umožňuje přizpůsobit teplotu v prostoru chladničky, mrazničky i My Zone. Teplotu lze nastavovat s citlivostí 1 °C.

Funkce Super Cool

1. Doporučuje se zapínat funkci Super Cool v případě, že bylo uloženo velké množství potravin (například po nákupu). Funkce Super Cool urychluje chlazení čerstvých potravin a chrání již uložené zboží před nežádoucím ohřátím.
2. Stiskněte tlačítko „K3“ nebo jej zapněte z aplikace, ikona „E“ (funkce Super Cool) se rozsvítí a funkce se aktivuje.



i UPOZORNĚNÍ

1. Spotřebič ukončí funkci „Super Cool“ po vstupu do funkce „Super Cool“ na 6 hodin nebo po stisknutí tlačítka „K3“, když ikona „E“ (funkce Super Cool) jasně svítí, nebo ji vypnete z aplikace.
2. Pokud se ve stavu Super Cool nastavuje teplota v prostoru chladničky, bliká ikona „E“ (funkce Super Cool), která signalizuje, že tuto operaci nelze provést.

Funkce Super Freeze

1. Čerstvé potraviny by se měly co nejdříve úplně zmrazit. Tím se zachová nejlepší výživová hodnota, vzhled a chuť. Funkce Super Freeze urychluje zmrazování čerstvých potravin a chrání již uložené zboží před nežádoucím ohřátím. Pokud potřebujete najednou zmrazit velké množství potravin, doporučuje se nastavit funkci Super Freeze 24 h před použitím mrazicího prostoru.
2. Stiskněte tlačítko „K4“ (nastavení funkce Super Freeze) nebo ji zapněte z aplikace, ikona „F“ (funkce Super Freeze) se rozsvítí a funkce se aktivuje.

i UPOZORNĚNÍ

1. Spotřebič ukončí funkci „Super Freeze“ po vstupu do funkce „Super Freeze“ na 50 hodin nebo po stisknutí tlačítka „K4“, když ikona „F“ (funkce Super Freeze) jasně svítí, nebo ji vypnete z aplikace.
2. Pokud je ve stavu Super Freeze nastavena teplota prostoru mrazničky, bliká ikona „F“ (funkce Super Freeze), která signalizuje, že tuto operaci nelze provést.

Funkce Holiday

Funkci Holiday lze používat ke snížení spotřeby, když se spotřebič nepoužívá pravidelně. Když je funkce zapnutá, chladnička se vypne, zatímco mraznička bude pracovat normálně. Funkce trvale nastaví teplotu v chladničce na 17 °C.

To umožňuje udržet dveře prázdné chladničky zavřené, aniž by vznikl zápach nebo plíseň – během delší nepřítomnosti (např. během dovolené). Mrazicí prostor je volný pro vaše nastavení.

1. Stiskněte tlačítko „K5“ (zapnutí/vypnutí funkce Holiday) nebo vyberte funkci v aplikaci, ikona „G“ (funkce Holiday) se rozsvítí a funkce se aktivuje.
2. Funkci lze deaktivovat opětovným stisknutím tlačítka „K5“ (zapnutí/vypnutí funkce Holiday) nebo nastavením teploty v chladničce či jiným nastavením nebo vypnutím z aplikace.

UPOZORNĚNÍ

1. Během funkce Holiday by v prostoru chladničky neměly být uloženy žádné potraviny. Teplota 17 °C je příliš vysoká pro ukládání potravin.
2. Když je zapnutá funkce Holiady, ikona My Zone zůstává vypnutá a funkce chladničky je uzamčená. Pokud se nastavuje teplota v prostoru chladničky, bliká ikona „G“ (funkce Holiday), která signalizuje, že tuto operaci nelze provést.

Funkce Eco Mode

Režim Eco Mode lze aktivovat za účelem optimalizace výkonu spotřebiče při zachování nejlepších podmínek uchovávání potravin. Jestliže nemáte žádné zvláštní požadavky, doporučujeme používat režim funkce Eco Mode.

V tomto režimu je teplota chladničky 5 °C, teplota mrazničky -18 °C.

1. Stiskněte tlačítko „K6“ (zapnutí/vypnutí funkce Eco Mode) nebo vyberte funkci v aplikaci.
2. Ikona „H“ (funkce Eco Mode) svítí a funkce je aktivována.

Opakováním výše uvedených kroků nebo výběrem jiné funkce či vypnutím z aplikace lze tuto funkci opět vypnout. Obnoví se dříve nastavené úrovně chlazení.

UPOZORNĚNÍ

Pokud se během funkce Eco Mode upravuje teplota prostoru chladničky/mrazničky, bliká ikona „H“ (funkce Eco Mode), která signalizuje, že tuto operaci nelze provést.

Krok 1 Stáhněte si aplikaci hOn z obchodu s aplikacemi.

   	
<p>Krok 2 Vytvořte si účet v aplikaci hOn, nebo se přihlaste, pokud již máte účet.</p> 	<p>Krok 3 Řiďte se pokyny pro párování v aplikaci hOn.</p> 

Funkce Wi-Fi

1. Nakonfigurujte síť Wi-Fi podle pokynů v aplikaci.
2. Jakmile je síť Wi-Fi nakonfigurována a naváže se spojení, rozsvítí se ikona „I“ a bude nepřerušovaně svítit.
3. Pokud již byla Wi-Fi nakonfigurována, po zapnutí Wi-Fi se automaticky znovu připojí podle informací o konfiguraci.

UPOZORNĚNÍ

1. Chcete-li vypnout Wi-Fi, stiskněte tlačítko Wi-Fi „K7“ a ikona Wi-Fi „I“ zhasne.
2. Chcete-li zapnout Wi-Fi a zahájit konfiguraci, stiskněte tlačítko Wi-Fi „K7“ a ikona Wi-Fi „I“ začne pomalu blikat. Pokud chcete konfigurovat funkci Wi-Fi, stiskněte na 3 sekundy tlačítko „K7“, ikona Wi-Fi rychle zabliká a přejde do konfiguračního režimu. Pokud chcete funkci Wi-Fi vypnout, stiskněte jednou tlačítko „K7“. Výše uvedené kroky se opakují.
3. Pokud byl spotřebič nakonfigurován a funkce Wi-Fi byla vypnuta, chladnička po opětovném připojení k napájení do režimu konfigurace nevstoupí.

UPOZORNĚNÍ

1. Tento výrobek není určen pro komerční použití.
2. Maximální výstupní výkon RF: 2,4 GHz Wi-Fi: 16 dBm;
3. Bluetooth LE: 5 dBm; Bluetooth (BR/EDR): 10 dBm.
4. Provozní frekvenční pásmo: 2400–2483,5 MHz.



Ukládání do prostoru chladničky

- Udržujte teplotu v chladničce pod 5 °C.
- Horké potraviny musí před uložením do spotřebiče vychladnout na pokojovou teplotu.
- Potraviny uchovávané v chladničce by se měly před uložením omýt a osušit.
- Potraviny určené k uložení by měly být náležitě uzavřené, aby se zamezilo změnám vůně nebo chuti.
- Neskladujte nadměrné množství potravin. Mezi potravinami nechávejte volné místo, aby kolem nich mohl proudit studený vzduch; pak bude chlazení lepší a rovnoměrnější.
- Potraviny konzumované každý den by se měly ukládat v přední části police.
- Mezi potravinami a vnitřními stěnami nechávejte mezery, kterými může proudit vzduch. V žádném případě neskladujte potraviny u zadní stěny: potraviny by mohly u zadní stěny zmraznout. Zamezte přímému kontaktu potravin (zejména olejnatých nebo kyselých) s vnitřním povrchem, protože oleje/kyseliny by mohly způsobit jeho korozi. Kdykoli objevíte olejnaté/kyselé nečistoty, odstraňte je.
- Zmrazené potraviny lze jemně rozmrazit v prostoru chladničky. Tím se šetří energie.
- Uchovávaní v chladničce může urychlit zrání některých druhů ovoce a zeleniny, například cuket, melounů, papáji, banánů, ananasu atd. Proto se nedoporučuje skladovat je v chladničce. Nicméně uložení na určitou dobu může podpořit zrání velmi nezralého ovoce. Také cibule, česnek, zázvor a další kořenová zelenina by se měly skladovat při pokojové teplotě.
- Nepříjemný zápach uvnitř chladničky může znamenat, že se něco zkazilo a bude nutné čištění. Viz Čištění a údržba.
- Různé potraviny by se měly ukládat na různá místa podle jejich vlastností.

Ukládání do prostoru mrazničky

- Udržujte teplotu mrazničky na -18 °C.
- 24 hodin před zmrazením zapněte funkci Super-Freeze. Pro malé množství jídla stačí 4–6 hodin.
- Horké potraviny musí před uložením do prostoru mrazničky vychladnout na pokojovou teplotu.



- Potraviny nakrájené na malé porce zmraznou rychleji a snáze se rozmrazují a připravují. Doporučená hmotnost každé porce je méně než 2,5 kg
- Před vložením do mrazničky je vhodné potraviny zabalit. Vnější povrch obalu musí být suchý, aby balíčky nepřimrzly k sobě. Obalové materiály by měly být bez zápachu, vzduchotěsné, nejedovaté a netoxické.
- Na obal zaznamenejte datum zmrazení, maximální dobu a název potraviny podle doby skladování pro různé potraviny, abyste předešli překročení doby skladovatelnosti.



VAROVÁNÍ!

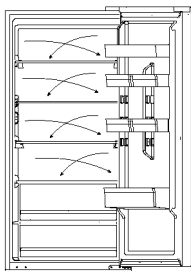
- ▶ Kyseliny, zásady, sůl apod. by mohly způsobit korozi vnitřního povrchu mrazničky.
- ▶ Nepokládejte potraviny obsahující tyto látky (např. mořské ryby) přímo na vnitřní povrch. Slaná voda v mrazničce by se měla ihned odstranit.
- ▶ Nepřekračujte dobu skladovatelnosti potravin doporučenou výrobcem. Vyjmejte z mrazničky pouze potřebné množství potravin.
- ▶ Rozmrazené potraviny rychle zkonzumujte. Rozmrazené potraviny již nelze znovu zmrazit, dokud se nejprve nepřipraví, jinak by se zhoršila jejich požitelnost.
- ▶ Neukládejte do prostoru mrazničky nadměrné množství čerstvých potravin. Věnujte pozornost kapacitě mrazničky - viz TECHNICKÉ ÚDAJE nebo údaje na typovém štítku.
- ▶ Potraviny lze skladovat v mrazničce při teplotě nejméně $-18\text{ }^{\circ}\text{C}$ po dobu 2 až 12 měsíců v závislosti na jejich vlastnostech (např. maso: 3–12 měsíců, zelenina: 6–12 měsíců)
- ▶ Při zmrazování čerstvých potravin zamezte jejich kontaktu s již zmrazenými potravinami. Hrozí nebezpečí rozmrazení!

Při ukládání potravin prodáváných ve zmrazeném stavu se řiďte těmito pokyny:

- Vždy dodržujte pokyny výrobce ohledně doby skladovatelnosti potravin. Tyto pokyny nepřekračujte!
- Snažte se co nejvíce zkrátit dobu mezi nákupem a uložením, aby zůstala zachována kvalita potravin.
- Kupujte mražené potraviny, které byly skladovány při teplotě $-18\text{ }^{\circ}\text{C}$ nebo nižší.
- Nekupujte potraviny, které mají na obalu led nebo námrazu. Znamená to, že tyto výrobky mohly být v nějakém okamžiku částečně rozmrazené a znovu zmrazené. Vzrůst teploty ovlivňuje kvalitu potravin.

i UPOZORNĚNÍ

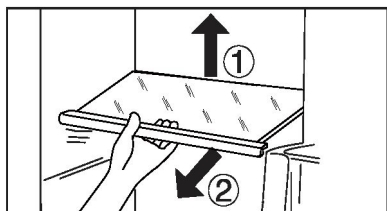
Vzhledem k různým modelům nemusí mít váš produkt všechny následující funkce. Viz kapitola Popis produktu.!



Vícecestný průtok vzduchu

Chladnička je vybavena systémem vícecestného průtoku vzduchu, který zajišťuje proudění chladného vzduchu v každé úrovni polic. Pomáhá to udržovat jednotnou teplotu, která zaručí, že potraviny vydrží déle v čerstvém stavu.

Nastavitelná police



1. Výšku polic lze upravovat tak, aby vyhovovala vašim požadavkům na ukládání.
2. Chcete-li přemístit nějakou polici, vyjměte ji tak, že nejprve nadzdvihnete okraj ① a potom ji vytáhnete ven ②.
3. Při instalaci ji položte na výstupky na obou stranách a zatlačte ji až dozadu tak, aby se zadní strana police usadila uvnitř drážek v bočních stranách

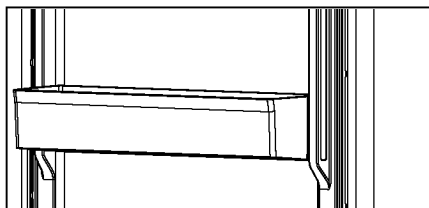
i UPOZORNĚNÍ

Ujistěte se, že oba konce police jsou v rovině.

Odnímatelná police na dveřích

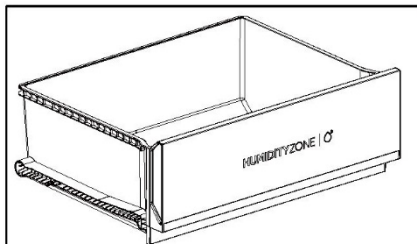
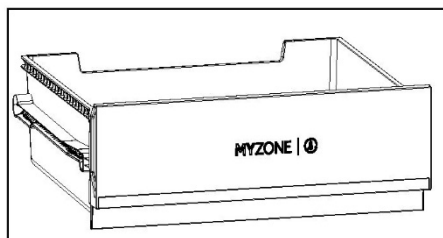
Police na dveřích lze vyjímat za účelem čištění:

Uchopte rukama obě strany police, zdvihnete ji nahoru (1) a vytáhnete ji ven (2). Při vkládání dveřní police proveďte výše popsané kroky v opačném pořadí



Zásuvka My Zone

Informace o používání a nastavení prostoru My Zone naleznete v části POUŽITÍ (My Zone).



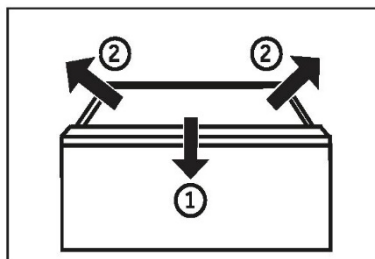
Zásuvka Humidity Zone

V tomto prostoru je úroveň vlhkosti automaticky řízena systémem a je vhodná pro skladování ovoce, zeleniny, salátů atd.

Vyjímatelná zásuvka

Chcete-li vyjmout zásuvku z prostoru chladničky nebo mrazničky, vytáhněte ji, jak nejdále to půjde (1), zvedněte a vyjměte (2).

Při vkládání zásuvky proveďte výše popsané kroky v opačném pořadí.



Zásuvka mrazničky

Zásuvky mrazničky lze vysunout rovně a zcela. Jsou namontovány na teleskopické kolejnici pro snadné posouvání. Abyste mohli zmrazené potraviny pohodlně skladovat a vyjímat. Díky mechanismu automatického zavírání dveří je manipulace snadná a šetříte energii.



VAROVÁNÍ!

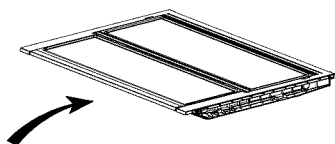
Zásuvky nepřetěžujte: Maximální zatížení každé zásuvky: 35 kg!

Světlo

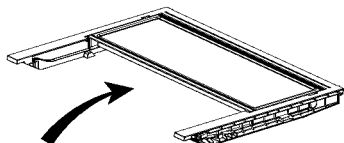
Po otevření dvířek se rozsvítí světlo LED osvětlující interiér. Fungování světel není ovlivňováno žádným z jiných nastavení spotřebiče.

Skládací police

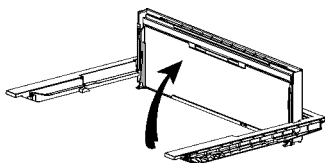
Skládací police umožní uživateli umístit na police vysoké láhve nebo položky. Polici lze v zadní části sklopit, čímž se zvětší volný prostor spodní police. Polici lze složit podle kroků 1–3. Pokud ji chcete vrátit na původní místo, proveďte následující postup opačně.



Krok 1: Přední část police pomalu zatlačte až na konec.



Krok 2: Pomalu posuňte polici nahoru do svislé polohy.



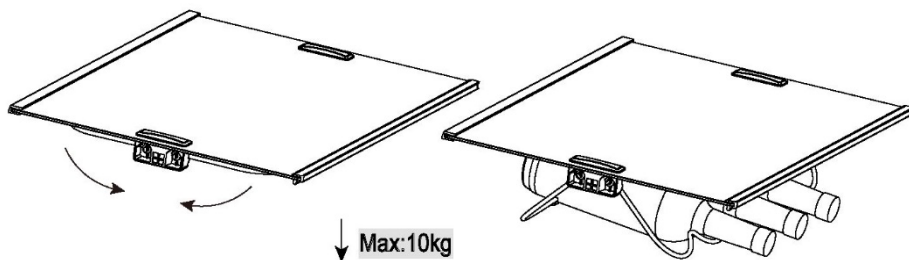
Krok 3: Police je svislá. Ušetří místo.

Skládací stojan na víno

Pro běžné použití

1. Stáhněte držáky stojanu na víno
2. Vložte lahve do stojanu

Pokud stojan na víno nepoužíváte, lze jej sklopit, abyste ušetřili místo.





Tipy pro úsporu energie

- ▶ Zajistěte, aby měl spotřebič náležitě větrání (viz INSTALACE).
- ▶ Neinstalujte spotřebič na přímé sluneční světlo ani do blízkosti zdrojů tepla (např. sporáků nebo ohřívačů).
- ▶ Vyhýbejte se zbytečně nízké teplotě uvnitř spotřebiče. Spotřeba energie se zvyšuje se snižováním nastavené teploty ve spotřebiči.
- ▶ Funkce jako SUPER FREEZE spotřebovávají více energie.
- ▶ Teplé jídlo nechte před vložením do spotřebiče vychladnout.
- ▶ Otvírejte dvířka spotřebiče co nejméně a na co nejkratší dobu.
- ▶ Nepřepněte spotřebič, aby se nenarušilo proudění vzduchu.
- ▶ Zamezte přítomnosti vzduchu v obalech potravin.
- ▶ Udržujte těsnění dvířek v čistém stavu, aby se dvířka vždy správně zavírala.
- ▶ Rozmrazte zmrazené potraviny v úložném prostoru chladničky nebo použijte funkci D-Frost v zásuvce My Zone.
- ▶ Energeticky nejúspěšnější konfigurace vyžaduje, aby byly ve spotřebiči nainstalovány přihrádky, schránka na potraviny a police ve stavu jako z výroby a aby uložené potraviny nezakrývaly výstup vzduchového kanálu..



VAROVÁNÍ!

Před čištěním odpojte spotřebič od napájení.

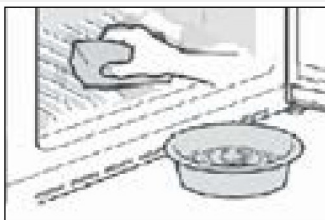
Čištění

Spotřebič čistěte pouze tehdy, když je v něm uloženo jen málo potravin, nebo je prázdný. Spotřebič by se měl čistit každé čtyři týdny, aby byl dobře udržovaný a zamezilo se zápachu z uložených potravin.



VAROVÁNÍ!

- ▶ Nečistěte spotřebič tvrdými kartáči, drátěnými kartáči, práškovými čistícími prostředky, benzinem, amylacetátem, acetonem a podobnými organickými roztoky a kyselými nebo zásaditými roztoky. K čištění použijte speciální čistící prostředek na chladničky, aby se zamezilo poškození.
- ▶ Během čištění na spotřebič nestříkejte ani jej neoplachujte.
- ▶ K čištění spotřebiče nepoužívejte vodní postřik ani proud vody.
- ▶ Nečistěte chladné skleněné police horkou vodou. Náhlá změna teploty by mohla způsobit, že sklo praskne.
- ▶ Nedotýkejte se vnitřního povrchu úložného prostoru mrazničky, zejména ne mokřými rukama, protože by mohly přimrznout k povrchu.
- ▶ V případě ohřátí zkontrolujte stav mražených potravin.



- ▶ Vždy udržujte těsnění dvířek v čistém stavu.
- ▶ Očistěte vnitřek a skříň spotřebiče houbou navlhčenou v teplé vodě s neutrálním čistícím prostředkem.
- ▶ 1. Vydrhněte vnitřní a vnější povrchy chladničky včetně těsnění dvířek, polic ve dvířkách, skleněných polic, přihrádek apod. měkkou utěrkou nebo houbou namočenou v teplé vodě (do teplé vody můžete přidat neutrální saponát).
- ▶ 2. Pokud se rozlije nějaká tekutina, vyjměte všechny zasažené součásti, opláchněte je přímo pod tekoucí vodou, osušte a vraťte zpět do chladničky.
- ▶ 3. Pokud se rozlije smetana (například šlehačka nebo roztátá zmrzlina), vyjměte všechny zasažené součásti, na nějakou dobu je vložte do teplé vody o teplotě asi 40 °C, potom je opláchněte pod tekoucí vodou, osušte a vraťte zpět do chladničky.
- ▶ 4. V případě, že uvnitř chladničky uvíznou nějaké malé díly nebo součásti (mezi policemi nebo zásuvkami), uvolněte je měkkým kartáčkem. Pokud na nějakou součást nedosáhnete, obraťte se na servis společnosti Haier



- ▶ Opláchněte povrch a vysušte ho měkkou látkou.
- ▶ Nemyjte žádné součásti spotřebiče v myčce.
- ▶ Před opětovným spuštěním spotřebiče počkejte alespoň 5 minut, protože časté spouštění by mohlo poškodit kompresor.

Odmrazování

Prostory chladničky a mrazničky se odmrazují automaticky; není nutný žádný ruční zásah.

Výměna žárovek LED



VAROVÁNÍ!

Nevyměňujte žárovku LED vlastními silami, její výměnu musí provést buď výrobce, nebo autorizovaný servisní zástupce.

Jako zdroj světla v žárovce se využívají diody LED, které se vyznačují nízkou spotřebou energie a dlouhou životností. Pokud se vyskytne nějaký neobvyklý stav, kontaktujte zákaznický servis. Viz ZÁKAZNICKÝ SERVIS.

Parametry žárovek:

Část	Žárovka LED
Napětí	12 V
Max. výkon	1,5 W
Specifikace LED	White-2835
Třída účinnosti LED	G
Teplota použití	-40~80 °C

HDPW7620*, HTW7620*

Část	Žárovka LED
Napětí	12 V
Max. výkon	8 W
Specifikace LED	Bílé-4014
Třída účinnosti LED	G
Teplota použití	-30~60 °C

Když se spotřebič delší dobu nepoužívá

Jestliže se spotřebič nebude delší dobu používat a nebudete využívat funkci chladničky Holiday:

Vyjměte potraviny.

Vytáhněte napájecí kabel ze zásuvky.

Vyčistěte spotřebič podle výše uvedeného popisu.

Nechte dvířka otevřená, aby se uvnitř nevytvořil zápach.



UPOZORNĚNÍ

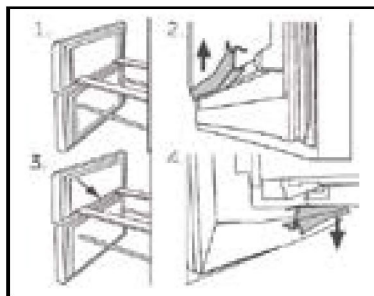
Spotřebič vypínejte pouze v nezbytně nutných případech.

Odnímatelné pomocné těsnění dveří

Na horní a dolní zásuvce mrazničky je šest pomocných těsnění dveří.

1. Najděte pět uvedených těsnění dveří na horní a dolní zásuvce mrazničky.
2. Při upevňování dbejte na to, aby ohnuté plátky těsnění směřovaly dovnitř.
3. Vyhledejte spodní těsnění horní zásuvky podle pokynů.
4. Při upevňování dbejte na to, aby ohnutý plátek tohoto těsnění směřoval dolů.

Tato těsnění, stejně jako těsnění otočných dveří/zásuvek, získáte prostřednictvím zákaznického servisu (viz záruční list).



Přemísťování spotřebiče

1. Vyjměte všechny potraviny a odpojte spotřebič od napájení.
2. Připevněte police a ostatní pohyblivé součásti v chladničce a mrazničce lepicí páskou.
3. Nenaklánějte chladničku v úhlu větším než 45°, aby se předešlo poškození chladicího systému.



VAROVÁNÍ!

- ▶ Nezdvíhejte spotřebič za madla.
- ▶ Nikdy nepokládejte spotřebič vodorovně na zem.

Mnoho problémů můžete vyřešit sami bez konkrétních odborných znalostí. V případě problému zkontrolujte všechny možnosti a řiďte se níže uvedenými pokyny, než se obrátíte na poprodejní servis. Viz ZÁKAZNICKÝ SERVIS.



VAROVÁNÍ!

- ▶ Před zahájením údržby vypněte spotřebič a vytáhněte zástrčku napájecího kabelu ze zásuvky.
- ▶ Servis elektrického zařízení by měli provádět pouze kvalifikovaní elektrikáři, protože nepatřičné opravy mohou vést k vážným následným škodám.
- ▶ Poškozený napájecí kabel by měl vyměnit pouze výrobce, jeho servisní zástupce nebo osoby s podobnou kvalifikací, aby se vyloučilo riziko.

Řešení problémů

Problém	Možná příčina	Možné řešení
Kompresor nepracuje.	Síťová zástrčka není zapojena do síťové zásuvky.	Zapojte síťovou zástrčku.
	Spotřebič provádí cyklus odmrazování.	Jedná se o normální jev při automatickém odmrazování.
Spotřebič se spouští často, nebo běží příliš dlouho.	Vnitřní nebo venkovní teplota je příliš vysoká.	V tomto případě je normální, že spotřebič běží déle.
	Spotřebič byl určitou dobu vypnutý.	Normálně trvá 8 až 12 hodin, než se spotřebič úplně ochladí.
	Dvířka/zásuvka spotřebiče nejsou těsně zavřené.	Zavřete dvířka/zásuvku a ujistěte se, že spotřebič je umístěn na rovné zemi a dvířkům nepřekáží žádné potraviny nebo nádoby.
	Dvířka/zásuvka se otvírala příliš často, nebo byla příliš dlouho otevřená.	Neotvírejte dvířka/zásuvku příliš často.
	Nastavená teplota pro prostor mrazničky je příliš nízká.	Nastavujte vyšší teplotu, dokud nedosáhnete uspokojivé teploty chladničky. Trvá 24 hodin, než se teplota chladničky ustálí.
	Těsnění dvířek/zásuvky je znečištěné, opotřebené, popraskané nebo nesprávně nainstalované.	Vyčistěte těsnění dvířek/zásuvky, nebo ho nechte vyměnit zákaznickým servisem.
	Není zaručena požadovaná cirkulace vzduchu.	Zajistěte odpovídající větrání.



Problém	Možná příčina	Možné řešení
Vnitřek chladničky je znečištěný a/nebo zapáchá.	Je třeba vyčistit vnitřek chladničky.	Vyčistěte vnitřek chladničky.
	V chladničce je uloženo nějaké silně aromatické jídlo.	Důkladně zabalte jídlo.
Uvnitř spotřebiče není dostatečně chladno.	Je nastavena příliš vysoká teplota.	Znovu nastavte teplotu
	Byly uloženy příliš teplé potraviny.	Před uložením vždy nechte jídlo vychladnout.
	Bylo uloženo příliš potravin najednou.	Vždy ukládejte menší množství potravin.
	Potraviny jsou příliš blízko sebe.	Nechte mezi potravinami mezery umožňující proudění vzduchu.
	Dvířka/zásuvka spotřebiče nejsou těsně zavřené.	Zavřete dvířka/zásuvku.
Uvnitř spotřebiče je příliš chladno.	Dvířka/zásuvka se otvírala příliš často, nebo byla příliš dlouho otevřená.	Neotvírejte dvířka/zásuvku příliš často.
	Je nastavena příliš nízká teplota.	Znovu nastavte teplotu.
Tvoření vlhkosti na vnitřním povrchu prostoru chladničky.	Je aktivována funkce Super Freeze, nebo běží příliš dlouho.	Vypněte funkci Super Freeze.
	Prostředí je příliš teplé a vlhké.	Zvyšte teplotu.
	Dvířka/zásuvka spotřebiče nejsou těsně zavřené.	Zavřete dvířka/zásuvku.
Na vnějším povrchu chladničky nebo mezi dvířky / zásuvkou se hromadí vlhkost.	Dvířka/zásuvka se otvírala příliš často, nebo byla příliš dlouho otevřená.	Neotvírejte dvířka/zásuvku příliš často.
	Nádoby na potraviny nebo tekutiny zůstaly otevřené.	Nechte horké potraviny vychladnout na pokojovou teplotu a potraviny a tekutiny zakryjte.
Ikony na displeji postupně blikají a chladicí systém chladicí systém nefunguje.	Prostředí je příliš teplé a vlhké.	Jedná se o normální jev ve vlhkém prostředí; až se sníží vlhkost, situace se změní.
	Dvířka/zásuvka nejsou těsně zavřené.	Ujistěte se, že dvířka/zásuvka jsou těsně zavřené.
	Jedná se o režim Demo	Chladnička je připojená k napájení Stiskněte a podržte tlačítko „ZONE“ a pětkrát klepněte na tlačítko „Eco Mode“, potom ikony přestanou postupně blikat.

Problém	Možná příčina	Možné řešení
V prostoru mrazničky je silná vrstva ledu a námrazy.	Potraviny nebyly náležitě zabalené.	Vždy dobře zabalte potraviny.
	Dvířka/zásuvka spotřebiče nejsou těsně zavřené.	Zavřete dvířka/zásuvku.
	Dvířka/zásuvka se otvírala příliš často, nebo byla příliš dlouho otevřená.	Neotvírejte dvířka/zásuvku příliš často.
	Těsnění dvířek/zásuvky je znečištěné, opotřebené, popraskané nebo nesprávně nainstalované.	Vyčistěte těsnění dvířek/zásuvky, nebo ho vyměňte za nové.
	Něco uvnitř brání správnému zavření dvířek/zásuvky.	Přemístěte vnitřní police, police na dvířkách nebo vnitřní nádoby, aby se mohla dvířka/zásuvka zavřít.
Spotřebič vydává neobvyklé zvuky.	Spotřebič nestojí na rovné zemi.	Seřídte nohy, aby stál spotřebič rovně.
	Spotřebič se dotýká nějakého předmětu ve svém okolí.	Odstraňte předměty z okolí spotřebiče.
Ozývá se slabý zvuk podobný proudění vody.	Jedná se o normální jev.	/
Ozývá se pípání alarmu.	Dvířka uložného prostoru chladničky jsou otevřená.	Zavřete dvířka, nebo ručně vypněte alarm.
Ozývá se slabé hučení.	Protikondenzační systém je v chodu.	Zabraňuje kondenzaci, jedná se o normální jev.
Nefunguje osvětlení interiéru nebo chladicí systém.	Síťová zástrčka není zapojena do síťové zásuvky	Zapojte síťovou zástrčku.
	Napájení nemá správné parametry.	Zkontrolujte přívod elektrického napájení do místnosti. Zavolejte místnímu dodavateli elektriny!
	Žárovka LED je vadná.	Zavolejte do servisu se žádostí o výměnu žárovky.
Boční strany skříně a lišta na dvířkách jsou teplé.	Jedná se o normální jev.	/
Z hubice dávkovače vody nevytéká voda	Zámek není deaktivován.	Deaktivujte zámek



Výpadek napájení

- ▶ V případě výpadku napájení by měly potraviny zůstat bezpečně v chladu po dobu asi 13 hodin. Během delšího výpadku napájení se řiďte těmito tipy, zejména v létě.
- ▶ Otvírejte dvířka/zásuvku co nejméně často.
- ▶ Během výpadku napájení nevkládejte do spotřebiče další potraviny.
- ▶ Pokud je přerušování dodávky elektřiny předem oznámeno a trvá déle než 13 hodin, připravte si ledové kostky a vložte je do nádoby na horní polici prostoru chladničky.
- ▶ Ihned po výpadku napájení je nutné zkontrolovat potraviny.
- ▶ Vzhledem k tomu, že během výpadku napájení nebo jiné závady vzroste teplota v chladničce, doba skladování a požitelnost potravin se zkrátí. Jakékoli potraviny, které se rozmrazí, by se měly buď zkonsumovat, nebo brzy potom uvařit či upéct a znovu zmrazit (je-li to vhodné), aby se předešlo zdravotním rizikům.



UPOZORNĚNÍ

Funkce paměti během výpadku napájení

Po obnovení napájení bude spotřebič pokračovat v činnosti s parametry, které byly nastaveny před výpadkem.

Chcete-li kontaktovat technickou pomoc, navštivte naše webové stránky:

<https://corporate.haier-europe.com/en/>

V části „Website“ zvolte značku svého výrobku a svou zemi. Budete přesměrováni na konkrétní webovou stránku, kde najdete telefonní číslo a další způsoby, jak kontaktovat technickou pomoc.

Vybalení



VAROVÁNÍ!

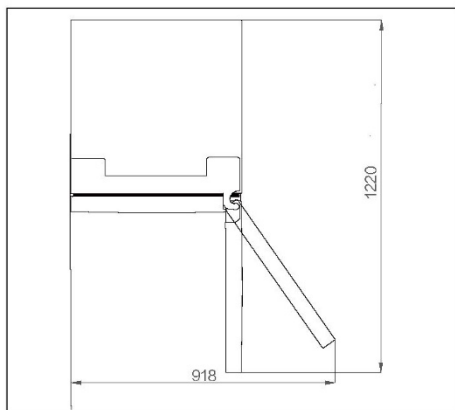
- ▶ Spotřebič je těžký. Vždy s ním manipulujte alespoň ve dvou osobách.
- ▶ Uchovávejte všechny obalové materiály mimo dosah dětí a zlikvidujte je způsobem šetrným k životnímu prostředí.
- ▶ Vyměte spotřebič z obalu.
- ▶ Odstraňte všechny obalové materiály.

Podmínky prostředí

Pokojevá teplota by měla být vždy mezi 10 °C a 43 °C, protože může ovlivňovat teplotu uvnitř spotřebiče a jeho spotřebu energie. Bez náležité izolace neinstalujte spotřebič do blízkosti jiných spotřebičů vytvářejících teplo (troubu, chladničku).

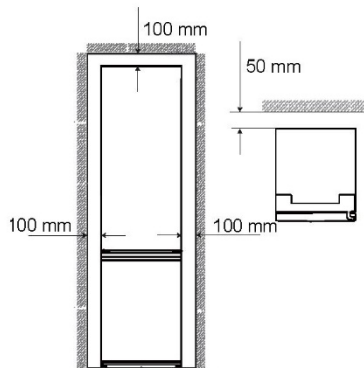
Požadavky na prostor

Potřebný prostor s otevřenými dvířky.



Prostor pro větrání

Z bezpečnostních důvodů je nutné dodržet informace o požadovaném prostoru pro větrání, aby byl spotřebič dostatečně větraný.

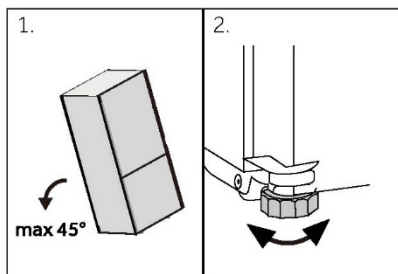


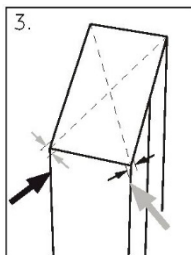
Vyrovnaní spotřebiče

Spotřebič by se měl postavit na rovný a pevný povrch.

1. Nakloňte chladničku mírně dozadu.
2. Nastavte nohy na požadovanou výšku.

Ujistěte se, že vzdálenost od stěny na straně se závěsem je nejméně 100 mm, aby se mohla dvířka správně otvírat.

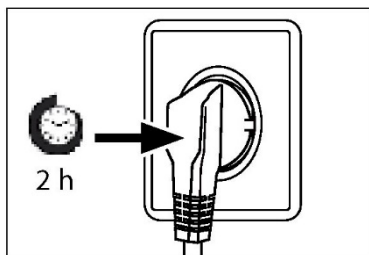




1. Stabilitu lze zkontrolovat střídavým kýváním po úhlopříčkách. Mírné kymácení by mělo být v obou směrech stejné. Jinak by se mohl rám zdeformovat, což by mohlo mít za následek, že těsnění dvířek nebude přiléhat. Mírný náklon dozadu usnadňuje zavírání dvířek.

i UPOZORNĚNÍ

Pro volně stojící spotřebič: tento chladicí spotřebič není určen k používání jako vestavný spotřebič



Doba čekání

V kapsli kompresoru se nachází bezúdržbový mazací olej. V případě naklonění během přepravy se olej může dostat do uzavřeného potrubního systému. Před připojením spotřebiče k napájení musíte počkat 2 hodiny, aby všechen olej natekl zpět do kapsle.

Připojení k elektrickému napájení

Před každým připojením zkontrolujte:

- ▶ zda napájení, zásuvka a jištění odpovídají údajům na výrobním štítku.
- ▶ zda je síťová zásuvka uzemněná a nepoužívá se rozbočovací adaptér ani prodlužovací kabel.
- ▶ zda zástrčka přesně pasuje do zásuvky.

Zapojte zástrčku do náležitě nainstalované domácí zásuvky.



VAROVÁNÍ!

Aby se zamezilo rizikům, výměnu poškozeného napájecího kabelu musí provést zákaznický servis (viz záruční list).



Změna směru otvírání dvířek

Před připojením spotřebiče k napájení byste měli zkontrolovat, zda není nutné změnit směr otvírání dvířek zprava (po dodání) doleva, jestliže to vyžaduje místo instalace a použitelnost.



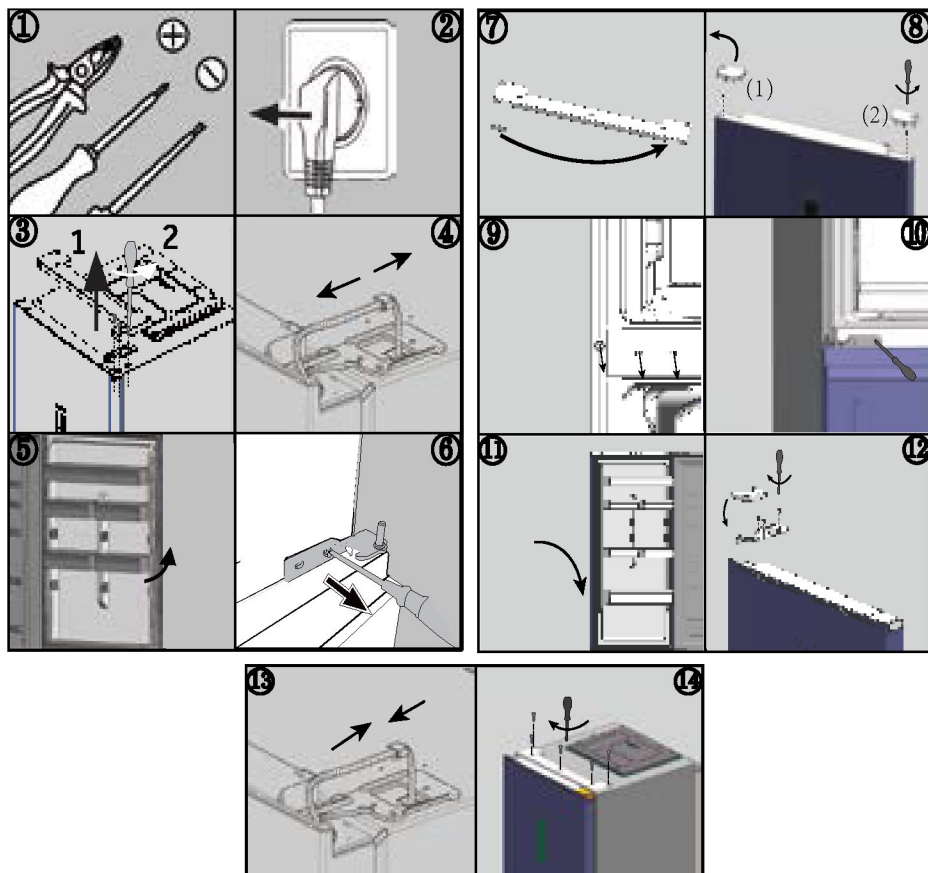
VAROVÁNÍ!

- ▶ Spotřebič je těžký. Ke změně směru otvírání dvířek jsou zapotřebí dvě osoby.
- ▶ Před jakýmkoli úkonem nejprve odpojte spotřebič od sítě
- ▶ Nenaklánejte spotřebič v úhlu větším než 45 °C, aby se předešlo poškození chladicího systému.

Kroky montáže

1. Připravte si potřebné nástroje.
2. Odpojte spotřebič od napájení.
3. Sejměte kryt horního závěsu 1 a odšroubujte horní závěs (tři šrouby) na pravé straně 2.
4. Odpojte propojovací kabel
5. Uvolněné dveře chladničky opatrně zvedněte z prostředního závěsu.
6. Odstraňte prostřední závěs.
7. Odstraňte malý kryt předního panelu zleva doprava.
8. Otočte dvířka vzhůru nohama a odšroubujte kryt (1). Vyjměte nový kryt (2) ze sáčku s příslušenstvím a přišroubujte ho na opačnou stranu.
9. Změňte polohu zásepek a šroubu na boku.
10. Přišroubujte prostřední závěs k levé straně spotřebiče. Věnujte pozornost obrácení čepu prostředního závěsu a ujistěte se, že strana s těsněním je otočená nahoru.
11. Opatrně zvedněte horní dvířka na prostředním závěsu. A ujistěte se, že čep zapadá do hlavě závěsu spodních dvířek.
12. Vyjměte nový horní závěs a kryt závěsu ze sáčku s příslušenstvím. Propojovací kabel protáhněte závěsem nahoru a horní závěs upevněte třemi šrouby na levé straně spotřebiče. A na závěs nasadte kryt závěsu.
13. Zapojte připojovací kabel.
14. Vyměňte přední panel a upevněte jej pěti šrouby.

Po výměně dvířek zkontrolujte, zda jsou těsnění dvířek správně umístěna na skříní a zda jsou všechny šrouby dobře dotaženy.



Okolní teploty

Subnormální: tento chladicí spotřebič je určen k používání při teplotách okolí v rozsahu od 10 °C do 32 °C.

Normální: tento chladicí spotřebič je určen k používání při teplotách okolí v rozsahu od 16 °C do 32 °C.

Subtropická: tento chladicí spotřebič je určen k používání při teplotách okolí v rozsahu od 16 °C do 38 °C.

Tropická: tento chladicí spotřebič je určen k používání při teplotách okolí v rozsahu od 16 °C do 43 °C.



Parametry výrobku podle nařízení EU 2019/2016

Na základě výsledků standardní zkoušky za 24 hodin. Skutečná spotřeba energie bude záviset na způsobu používání a umístění spotřebiče.

Model	HTW5618DN*	HTW5620DN*	HTW5618EN*
Typ chladicího spotřebiče	Chladnička-mraznička	Chladnička-mraznička	Chladnička-mraznička
Třída energetické účinnosti	D	D	E
Roční spotřeba energie (kWh/rok)	217	226	271
Objem prostoru chladničky (l)	201	255	201
Objem prostoru mrazničky (l)	125	125	125
Objem mrazicího boxu (l)	34	34	34
Třída mrazení	4 hvězdičky	4 hvězdičky	4 hvězdičky
Typ odmrazování	Automatické odmrazování	Automatické odmrazování	Automatické odmrazování
Doba náběhu teploty (h)	13	13	11
Mrazicí výkon (kg/24 h)	10,0	10,0	10,0
Klimatická třída	SN.N.ST.T	SN.N.ST.T	SN.N.ST.T
Třída emisí hluku a emise hluku šířeného vzduchem (dB(A) re 1 pW)	B (35)	B (35)	B (35)



Model	HTW5618CN*	HTW5620CN*	HTW5620EN*
Typ chladicího spotřebiče	Chladnička-mraznička	Chladnička-mraznička	Chladnička-mraznička
Třída energetické účinnosti	C	C	E
Roční spotřeba energie (kWh/rok)	173	181	283
Objem prostoru chladničky (l)	201	255	255
Objem prostoru mrazničky (l)	125	125	125
Objem mrazicího boxu (l)	34	34	34
Třída mrazení	4 hvězdičky	4 hvězdičky	4 hvězdičky
Typ odmrazování	Automatické odmrazování	Automatické odmrazování	Automatické odmrazování
Doba náběhu teploty (h)	13	13	11
Mrazicí výkon (kg/24 h)	10,0	10,0	10,0
Klimatická třída	SN.N.ST.T	SN.N.ST.T	SN.N.ST.T
Třída emisí hluku a emise hluku šířeného vzduchem (dB(A) re 1 pW)	B (35)	B (35)	B (35)



Model	HDPW5618DN*	HDPW5620DN* HDPW3620DN*	HTW7620CN*
Typ chladicího spotřebiče	Chladnička-mraznička	Chladnička-mraznička	Chladnička-mraznička
Třída energetické účinnosti	D	D	C
Roční spotřeba energie (kWh/rok)	214	220	181
Objem prostoru chladničky (l)	201	255	255
Objem prostoru mrazničky (l)	117	117	125
Objem mrazicího boxu (l)	34	34	34
Třída mrazení	4 hvězdičky	4 hvězdičky	4 hvězdičky
Typ odmrazování	Automatické odmrazování	Automatické odmrazování	Automatické odmrazování
Doba náběhu teploty (h)	13	13	13
Mrazicí výkon (kg/24 h)	10,0	10,0	10,0
Klimatická třída	SN.N.ST.T	SN.N.ST.T	SN.N.ST.T
Třída emisí hluku a emise hluku šířeného vzduchem (dB(A) re 1 pW)	B (35)	B (35)	B (35)



Model	HDPW3618DN*	HDPW3620CN*	HTW3620DN*
Typ chladicího spotřebiče	Chladnička-mraznička	Chladnička-mraznička	Chladnička-mraznička
Třída energetické účinnosti	D	C	D
Roční spotřeba energie (kWh/rok)	214	176	226
Objem prostoru chladničky (l)	201	255	255
Objem prostoru mrazničky (l)	117	117	125
Objem mrazicího boxu (l)	34	34	34
Třída mrazení	4 hvězdičky	4 hvězdičky	4 hvězdičky
Typ odmrazování	Automatické odmrazování	Automatické odmrazování	Automatické odmrazování
Doba náběhu teploty (h)	13	13	13
Mrazicí výkon (kg/24 h)	10,0	10,0	10,0
Klimatická třída	SN.N.ST.T	SN.N.ST.T	SN.N.ST.T
Třída emisí hluku a emise hluku šířeného vzduchem (dB(A) re 1 pW)	B (35)	B (35)	B (35)



Model	HDPW5618CN*	HDPW5620CN*	HDPW5620AN* HDPW7620AN*
Typ chladicího spotřebiče	Chladnička-mraznička	Chladnička-mraznička	Chladnička-mraznička
Třída energetické účinnosti	C	C	A
Roční spotřeba energie (kWh/rok)	171	176	114
Objem prostoru chladničky (l)	201	255	255
Objem prostoru mrazničky (l)	117	117	120
Objem mrazicího boxu (l)	34	34	34
Třída mrazení	4 hvězdičky	4 hvězdičky	4 hvězdičky
Typ odmrazování	Automatické odmrazování	Automatické odmrazování	Automatické odmrazování
Doba náběhu teploty (h)	13	13	16
Mrazicí výkon (kg/24 h)	10,0	10,0	10,0
Klimatická třída	SN.N.ST.T	SN.N.ST.T	SN.N.ST.T
Třída emisí hluku a emise hluku šířeného vzduchem (dB(A) re 1 pW)	B (35)	B (35)	B (35)



Model	HDPW5620BN*	HTW7620DN*	HDPW7620AAN*
Typ chladicího spotřebiče	Chladnička-mraznička	Chladnička-mraznička	Chladnička-mraznička
Třída energetické účinnosti	B	D	A
Roční spotřeba energie (kWh/rok)	142	226	92
Objem prostoru chladničky (l)	255	255	255
Objem prostoru mrazničky (l)	120	125	120
Objem mrazicího boxu (l)	34	34	34
Třída mrazení	4 hvězdičky	4 hvězdičky	4 hvězdičky
Typ odmrazování	Automatické odmrazování	Automatické odmrazování	Automatické odmrazování
Doba náběhu teploty (h)	13	13	16
Mrazicí výkon (kg/24 h)	10,0	10,0	12,0
Klimatická třída	SN.N.ST.T	SN.N.ST.T	SN.N.ST.T
Třída emisí hluku a emise hluku šířeného vzduchem (dB(A) re 1 pW)	B (35)	B (35)	B (35)



Model	HTW5618DW*		
Typ chladicího spotřebiče	Chladnička-mraznička		
Třída energetické účinnosti	D		
Roční spotřeba energie (kWh/rok)	216		
Objem prostoru chladničky (l)	198		
Objem prostoru mrazničky (l)	125		
Objem mrazicího boxu (l)	34		
Třída mrazení	4 hvězdičky		
Typ odmrazování	Automatické odmrazování		
Doba náběhu teploty (h)	13		
Mrazicí výkon (kg/24 h)	10,0		
Klimatická třída	SN.N.ST.T		
Třída emisí hluku a emise hluku šířeného vzduchem (dB(A) re 1 pW)	B (35)		



Další technické údaje

Model	HTW5618DN*	HTW5618EN*	HTW5620DN*
Celkový objem (l)	360	360	414
Napětí/frekvence	220–240 V / 50 Hz	220–240 V / 50 Hz	220–240 V / 50 Hz
vstupní proud (A)	1,4	1,4	1,4
Hlavní pojistka (A)	16	16	16
Chladivo	R600a (53 g)	R600a (53 g)	R600a (53 g)
Rozměry (Š/H/V v mm)	595*667*1850	595*667*1850	595*667*2050

Model	HTW5618CN*	HTW5620CN*	HTW5620EN*
Celkový objem (l)	360	414	414
Napětí/frekvence	220–240 V / 50 Hz	220–240 V / 50 Hz	220–240 V / 50 Hz
vstupní proud (A)	1,4	1,4	1,4
Hlavní pojistka (A)	15	15	16
Chladivo	R600a (50 g)	R600a (50 g)	R600a (53 g)
Rozměry (Š/H/V v mm)	595*667*1850	595*667*2050	595*667*2050



Model	HDPW5618DN*	HDPW5620DN*	HDPW3620DN*
Celkový objem (l)	352	406	406
Napětí/frekvence	220–240 V / 50 Hz	220–240 V / 50 Hz	220–240 V / 50 Hz
vstupní proud (A)	1,4	1,4	1,4
Hlavní pojistka (A)	16	16	16
Chladivo	R600a (53 g)	R600a (53 g)	R600a (53 g)
Rozměry (Š/H/V v mm)	595*667*1850	595*667*2050	595*667*2050

Model	HDPW5618CN*	HDPW5620CN*	HDPW5620AN*
Celkový objem (l)	352	406	409
Napětí/frekvence	220–240 V / 50 Hz	220–240 V / 50 Hz	220–240 V / 50 Hz
vstupní proud (A)	1,4	1,4	1,4
Hlavní pojistka (A)	15	15	16
Chladivo	R600a (50 g)	R600a (50 g)	R600a (50 g)
Rozměry (Š/H/V v mm)	595*667*1850	595*667*2050	595*667*2050



Další technické údaje

Model	HDPW3618DN*	HDPW3620CN*	HTW3620DN*
Celkový objem (l)	352	406	414
Napětí/frekvence	220–240 V / 50 Hz	220–240 V / 50 Hz	220–240 V / 50 Hz
vstupní proud (A)	1,4	1,4	1,4
Hlavní pojistka (A)	16	15	16
Chladivo	R600a (53 g)	R600a (50 g)	R600a (53 g)
Rozměry (Š/H/V v mm)	595*667*1850	595*667*2050	595*667*2050

Model	HDPW7620AAAN*	HDPW5620BN*	HDPW7620AN*
Celkový objem (l)	409	409	409
Napětí/frekvence	220–240 V / 50 Hz	220–240 V / 50 Hz	220–240 V / 50 Hz
vstupní proud (A)	1,4	1,4	1,4
Hlavní pojistka (A)	16	16	16
Chladivo	R600a (55 g)	R600a (50 g)	R600a (50 g)
Rozměry (Š/H/V v mm)	595*667*2050	595*667*2050	595*667*2050

**Další technické údaje**

Model	HTW7620DN*	HTW7620CN*	HTW5618DW*
Celkový objem (l)	414	414	357
Napětí/frekvence	220–240 V / 50 Hz	220–240 V / 50 Hz	220–240 V / 50 Hz
vstupní proud (A)	1,4	1,4	1,4
Hlavní pojistka (A)	16	15	16
Chladivo	R600a (53 g)	R600a (50 g)	R600a (53 g)
Rozměry (Š/H/V v mm)	595*667*2050	595*667*2050	595*667*1850



Doporučujeme využívat zákaznický servis společnosti Haier a používat originální náhradní díly.

V případě problému se spotřebičem si nejprve přečtete část ŘEŠENÍ PROBLÉMŮ.

Pokud v ní nenajdete řešení, kontaktujte

- ▶ místního prodejce nebo
- ▶ naše Evropské středisko telefonické podpory (viz telefonní čísla uvedená níže) nebo
- ▶ část Servis a podpora na stránkách www.haier.com, kde můžete aktivovat požadavek na servis
- ▶ a kde najdete také časté dotazy.

Chcete-li kontaktovat náš servis, ujistěte se, že máte k dispozici následující údaje. Tyto údaje lze najít na výrobním štítku.

Model _____

Výrobní číslo _____

V případě záruky se také podívejte do záručního listu dodaného s výrobkem.

Evropské středisko telefonické podpory		
Země*	Telefonní číslo	Ceny
Haier Italy (IT)	199 100 912	
Haier Spain (ES)	902 509 123	
Haier Germany (DE)	0180 5 39 39 99	<ul style="list-style-type: none"> • 14 ct/min pevná linka • max. 42 ct/min mobil
Haier Austria (AT)	0820 001 205	<ul style="list-style-type: none"> • 14,53 ct/min pevná linka • max. 20 ct/min vše ostatní
Haier United Kingdom (UK)	0333 003 8122	
Haier France (FR)	0980 406 409	



* Údaje o ostatních zemích najdete na www.haier.com

Haier Europe Trading S.r.l

Branch UK

Westgate House, Westgate, Ealing

London, W5 1YY

*Doba záruky chladničky:

Minimální záruka: 2 roky pro země EU, 3 roky pro Turecko, 1 rok pro Spojené království, 1 rok pro Rusko, 3 roky pro Švédsko, 2 roky pro Srbsko, 5 let pro Norsko, 1 rok pro Maroko, 6 měsíců pro Alžírsko, Tunisko nevyžaduje žádnou zákonnou záruku.

*Doba dostupnosti náhradních dílů pro opravu spotřebiče:

Termostaty, snímače teploty, desky s plošnými spoji a světelné zdroje budou k dispozici po dobu nejméně sedmi let od uvedení posledního modelu spotřebiče na trh.

Madla dvířek, závěsy dvířek, přihrádky a koše budou k dispozici po dobu nejméně sedmi let a těsnění dvířek po dobu nejméně deseti let od uvedení posledního modelu spotřebiče na trh.

* Chcete-li další informace o výrobku, navštivte stránky <https://eprel.ec.europa.eu/> nebo naskenujte kód QR na energetickém štítku dodaném se spotřebičem.

<u>5 Sicherheitsinformationen</u>	<u>Vor der ersten Inbetriebnahme</u>	6
	<u>Installation</u>	6
	<u>Täglicher Gebrauch</u>	7
<u>10 Verwendungszweck</u>		
<u>11 Produktbeschreibung</u>		
<u>22 Bedienfeld</u>		
<u>23 Verwendung</u>	<u>Einstellen der Temperatur für den Kühlschrank</u>	24
	<u>Einstellen der Temperatur für den Gefrierschrank</u>	24
	<u>Einstellen der Temperatur für My Zone</u>	24
	<u>Super Cool-Funktion</u>	25
	<u>Super Freeze-Funktion</u>	26
<u>31 Ausrüstung</u>		
<u>35 Energiespartipps</u>		
<u>36 Pflege und Reinigung</u>		
<u>39 Fehlerbehebung</u>		
<u>43 Installation</u>		
<u>47 Technische Daten</u>		
<u>58 Kundenservice</u>		



Bitte klicken Sie auf den Inhalt, um genauere Informationen zu erhalten.

Vielen Dank für den Kauf eines Haier-Produkts.

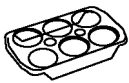
Bitte lesen Sie diese Anweisungen sorgfältig durch, bevor Sie dieses Gerät benutzen. Die Anleitung enthält wichtige Informationen, die Ihnen dabei helfen, das Gerät optimal zu nutzen und eine sichere und ordnungsgemäße Installation, Verwendung und Wartung zu gewährleisten.

Bewahren Sie diese Anleitung an einem geeigneten Ort auf, damit Sie jederzeit für die sichere und ordnungsgemäße Verwendung des Geräts darauf zurückgreifen können.

Wenn Sie das Gerät verkaufen, weggeben oder bei einem Umzug zurücklassen, vergewissern Sie sich, dass diese Anleitung auch beigelegt wird, damit sich der neue Besitzer bzw. die neue Besitzerin mit dem Gerät und den Sicherheitshinweisen vertraut machen kann.

Zubehör

Überprüfen Sie das Zubehör und die Dokumentation gemäß dieser Liste:



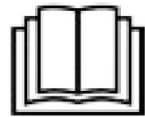
Eierablage



Energie-
Kennzeichnung



Garantiekarte



Benutzerhandbuch



Eiswürfelschale



Türscharniere



Scharnierabdeckung



Kappeneinsatz

**WARNUNG - Wichtige Sicherheitsinformationen****HINWEIS - Allgemeine Informationen und Tipps****Umweltinformationen****Entsorgung**

Tragen Sie zum Schutz der Umwelt und der menschlichen Gesundheit bei. Entsorgen Sie die Verpackung zum Recyceln in die entsprechenden Behälter. Unterstützen Sie das Recycling von Elektro- und Elektronik-Altgeräten. Entsorgen Sie Geräte, die mit diesem Symbol gekennzeichnet sind, nicht mit dem Hausmüll. Geben Sie das Produkt an Ihre lokale Recyclinganlage zurück oder wenden Sie sich an Ihre Stadtverwaltung.

**WARNUNG!**

Verletzungs- oder Erstickungsgefahr!

Kältemittel und Gase müssen fachgerecht entsorgt werden. Überprüfen Sie, dass der Schlauch des Kühlkreislaufs nicht beschädigt ist, bevor er ordnungsgemäß entsorgt wird. Trennen Sie das Gerät von der Stromversorgung. Trennen Sie das Netzkabel und entsorgen Sie es. Entfernen Sie die Fächer und Schubladen sowie die Türöffnung und die Dichtungen, um zu verhindern, dass Kinder und Haustiere im Gerät eingeschlossen werden.



Bevor Sie das Gerät zum ersten Mal einschalten, lesen Sie die folgenden Sicherheitshinweise!



WARNUNG!

Vor der ersten Inbetriebnahme

- ▶ Vergewissern Sie sich, dass keine Transportschäden vorliegen.
- ▶ Entfernen Sie alle Verpackungsteile und bewahren Sie sie außerhalb der Reichweite von Kindern auf.
- ▶ Warten Sie vor dem Einschalten des Geräts mindestens zwei Stunden, damit der Kühlkreislauf auch sicher und effektiv arbeitet.
- ▶ Transportieren oder bewegen Sie das Gerät immer mit mindestens zwei Personen, da es schwer ist.

Installation

- ▶ Das Gerät sollte an einem gut belüfteten Ort aufgestellt werden. Idealerweise müssen mindestens 10 cm rund um das Gerät frei bleiben.
- ▶ Stellen Sie das Gerät niemals in einem feuchten Bereich oder an einem Ort auf, wo es mit Wasser nassgespritzt werden könnte. Reinigen Sie Wasserspritzer und Flecken mit einem weichen, sauberen Tuch.
- ▶ Stellen Sie das Gerät nicht in direktem Sonnenlicht oder in der Nähe von Hitzequellen (z. B. Herden, Heizungen) auf.
- ▶ Installieren und richten Sie das Gerät in einem Bereich ein, der für seine Größe und Verwendung geeignet ist.
- ▶ Halten Sie die Lüftungsschlitze am Gerät oder in der Einbaustruktur frei.
- ▶ Stellen Sie sicher, dass die elektrischen Informationen auf dem Typenschild der Stromversorgung entsprechen. Ist dies nicht der Fall, wenden Sie sich an einen Elektriker.
- ▶ Das Gerät wird über eine 220-240 V Wechselspannung/50 Hz betrieben. Abnormale Spannungsschwankungen könnten dazu führen, dass das Gerät nicht angeht, der Temperaturregler oder Kompressor beschädigt wird, oder dass während des Betriebs ein abnormales Geräusch auftritt. In einem solchen Fall ist ein automatischer Regler anzubringen.
- ▶ Verwenden Sie keine Mehrfachsteckadapter und Verlängerungskabel.
- ▶ Positionieren Sie keine Mehrfachsteckdosen oder Verlängerungen hinter dem Gerät.
- ▶ Stellen Sie sicher, dass das Netzkabel nicht durch den Kühlschrank eingeklemmt wird. Treten Sie nicht auf das Netzkabel.



WARNUNG!

- ▶ Verwenden Sie eine separate, geerdete Steckdose für eine leicht zugängliche Stromversorgung. Das Gerät muss geerdet werden.
Nur für Großbritannien: Das Gerätenetzkabel ist mit einem 3-adrigen Stecker (Erdungsstecker) ausgestattet, der in eine 3-adrige Norm-Buchse (geerdet) passt. Den dritten Stift (Erdung) auf keinen Fall kappen oder entfernen. Das Gerät muss so installiert werden, dass der Stecker erreichbar ist.
- ▶ Den Kühlkreislauf nicht beschädigen.

Täglicher Gebrauch

- ▶ Dieses Gerät kann von Kindern ab 8 Jahren und Personen mit eingeschränkten körperlichen, sensorischen oder geistigen Fähigkeiten oder mangelnder Erfahrung und mangelndem Wissen benutzt werden, wenn diese in die sichere Bedienung des Geräts eingewiesen wurden oder beaufsichtigt werden und die damit verbundenen Gefahren verstanden haben.
- ▶ Kinder im Alter von 3 bis 8 Jahren dürfen Kühlschränke be- und entladen, aber nicht reinigen und installieren.
- ▶ Kinder unter 3 Jahren vom Gerät fernhalten, es sei denn, sie werden ständig beaufsichtigt.
- ▶ Kinder dürfen nicht mit dem Gerät spielen.
- ▶ Wenn Kühlgas oder ein anderes brennbares Gas in der Nähe des Geräts austritt, drehen Sie das Ventil des austretenden Gases ab. Öffnen Sie die Türen und Fenster, und ziehen Sie nicht den Netzstecker des Kühlschranks oder eines anderen Haushaltsgeräts.
- ▶ Beachten Sie, dass das Gerät für den Betrieb bei einer bestimmten Umgebungstemperatur zwischen 10 und 43 °C eingestellt ist. Das Gerät funktioniert möglicherweise nicht ordnungsgemäß, wenn es über einen längeren Zeitraum bei einer Temperatur oberhalb oder unterhalb des angegebenen Bereichs betrieben wird.
- ▶ Stellen Sie keine instabilen Gegenstände (schwere Gegenstände, mit Wasser gefüllte Behälter) auf den Kühlschrank, um Verletzungen durch Herunterfallen oder elektrische Schläge durch Kontakt mit Wasser zu vermeiden.
- ▶ Ziehen Sie nicht an den Türfächern. Die Tür kann schief verzogen werden, das Flaschenregal kann herausgezogen werden, oder das Gerät kann umkippen.
- ▶ Schließen und öffnen Sie die Tür nur mit den Griffen. Der Spalt zwischen den Türen sowie zwischen den Türen und dem Schrank ist sehr schmal. Stecken Sie nicht Ihre Hände in diese Bereiche, um zu vermeiden, dass Sie Ihre Finger eingeklemmt werden. Öffnen oder schließen Sie die Kühlschranktüren nur dann, wenn keine Kinder im Bewegungsbereich der Tür stehen.



WARNUNG!

- ▶ Verwenden Sie keine brennbaren, explosionsfähigen oder korrosiven Substanzen im Gerät oder in der Nähe.
- ▶ Lagern Sie keine Arzneimittel, Bakterien oder Chemikalien im Gerät. Dieses Gerät ist ein Haushaltsgerät. Es wird davon abgeraten, Materialien zu lagern, die extreme Temperaturen erfordern.
- ▶ Lagern Sie niemals Flüssigkeiten in Flaschen oder Dosen (außer hochprozentige Spirituosen), insbesondere kohlenensäurehaltige Getränke, im Gefrierschrank, da diese beim Einfrieren platzen können.
- ▶ Überprüfen Sie den Zustand der Lebensmittel, wenn die Temperatur im Gefrierschrank angestiegen ist.
- ▶ Stellen Sie keine unnötig niedrigen Temperaturen im Kühlschrank ein. Bei hohen Einstellungen kann es zu Minustemperaturen kommen. Achtung: Flaschen können platzen.
- ▶ Berühren Sie Gefriergut nicht mit nassen Händen (Handschuhe tragen). Verzehren Sie insbesondere Eis am Stiel nicht sofort nach der Entnahme aus dem Gefrierfach. Es besteht die Gefahr des Erfrierens oder der Bildung von Frostblasen an Mund und Zunge. ERSTE HILFE: Sofort unter fließend kaltes Wasser halten. Nicht mit Gewalt abziehen!
- ▶ Berühren Sie nicht die Innenfläche des Gefrierfachs, insbesondere nicht mit nassen Händen, da Ihre Hände an der Oberfläche festfrieren könnten.
- ▶ Ziehen Sie den Gerätestecker aus der Steckdose, falls die Stromversorgung unterbrochen wird oder bevor Sie das Gerät reinigen. Warten Sie vor dem Neustart mindestens 7 Minuten, da durch häufiges Einschalten der Kompressor beschädigt werden kann.
- ▶ Im Inneren des Haushaltsgeräts keine elektrischen Geräte benutzen, es sei denn, sie werden vom Hersteller empfohlen. Wartung / Reinigung
- ▶ Kinder müssen beaufsichtigt werden, wenn sie das Gerät reinigen und warten.
- ▶ Trennen Sie das Gerät von der Stromversorgung, bevor Sie eine routinemäßige Wartung durchführen. Warten Sie vor dem Neustart mindestens 5 Minuten, da durch häufiges Einschalten der Kompressor beschädigt werden kann.

**WARNUNG!**

- ▶ Fassen Sie beim Herausziehen des Gerätesteckers aus der Steckdose den Stecker und nicht das Kabel an.
- ▶ Reinigen Sie das Gerät nicht mit harten Bürsten, Drahtbürsten, Reinigungspulver, Benzin, Amylacetat, Aceton und ähnlichen organischen Lösungen, Säure oder Alkalilösungen. Reinigen Sie das Gerät mit einem speziellen Reinigungsmittel für Kühlgeräte, um Beschädigungen zu vermeiden.
- ▶ Kratzen Sie Frost und Eis nicht mit scharfkantigen Gegenständen ab. Verwenden Sie keine Sprays, elektrischen Heizgeräte, Haartrockner zum Abtauen oder Dampfreiniger im Gerät, um Beschädigungen der Kunststoffteile zu vermeiden.
- ▶ Verwenden Sie keine mechanischen oder sonstigen Hilfsmittel, um den Abtauvorgang zu beschleunigen, es sei denn, dies wird vom Hersteller so empfohlen.
- ▶ Wenn das Stromkabel beschädigt ist, muss es vom Hersteller, von seinem Service-Mitarbeiter oder einer gleichwertig qualifizierten Person ausgetauscht werden, um jegliches Risiko zu vermeiden.
- ▶ Versuchen Sie nicht, das Gerät selbst zu reparieren, zu zerlegen oder zu verändern. Bei Reparaturen wenden Sie sich bitte an unseren Kundenservice.
- ▶ Entfernen Sie den Staub auf der Geräterückseite mindestens einmal im Jahr, um Brandgefahr und einen erhöhten Energieverbrauch zu vermeiden.
- ▶ Das Gerät darf während der Reinigung nicht besprüht oder mit Wasser beschüttet werden.
- ▶ Das Gerät nicht mit Wasser besprühen oder mit Dampf reinigen.
- ▶ Reinigen Sie die kalten Einlegeböden aus Glas nicht mit heißem Wasser. Plötzliche Temperaturschwankungen können dazu führen, dass das Glas zerspringt.

Informationen zum Kältemittelgas**WARNUNG!**

Das Gerät enthält das entzündliche Kältemittel ISOBUTAN (R600a). Stellen Sie sicher, dass der Kühlkreislauf während des Transports oder der Installation nicht beschädigt wird. Auslaufendes Kältemittel kann Augenverletzungen verursachen oder sich entzünden. Falls Schäden aufgetreten sind, halten Sie sich von offenen Brandquellen fern, lüften Sie den Raum gründlich, stecken Sie die Netzkabel des Geräts oder eines anderen Geräts nicht ein oder aus. Informieren Sie den Kundenservice.

Falls die Augen mit dem Kältemittel in Kontakt kommen, spülen Sie sofort unter fließendem Wasser aus und verständigen Sie den Augenarzt.



Verwendungszweck

Dieses Gerät ist zum Kühlen und Gefrieren von Lebensmitteln bestimmt. Es ist ausschließlich für den Einsatz in Haushalten und ähnlichen Bereichen konzipiert, wie z. B. in Personalküchen in Geschäften, Büros und anderen Arbeitsumgebungen, auf Bauernhöfen und in Hotels, Motels und anderen wohnähnlichen Umgebungen sowie in Bed-and-Breakfasts und für Catering-Zwecke. Das Gerät ist nicht für die kommerzielle oder industrielle Nutzung bestimmt.

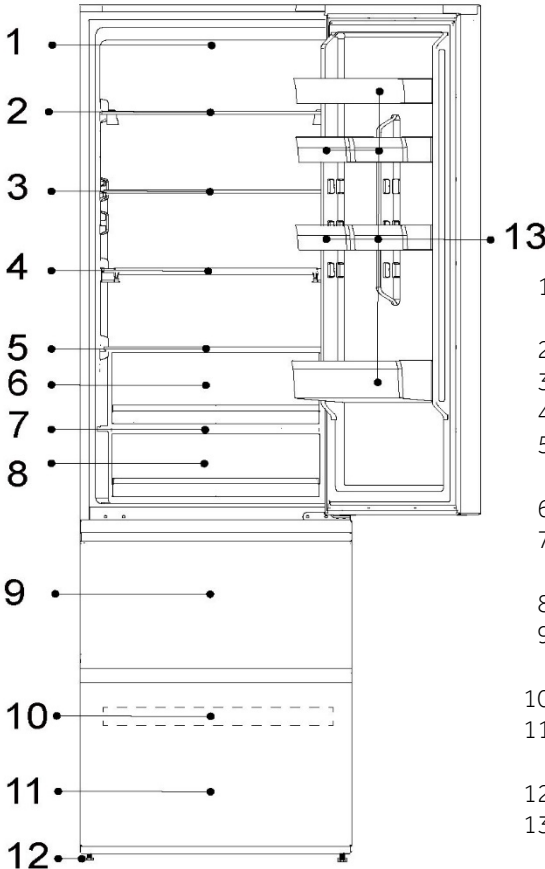
Änderungen oder Anpassungen am Gerät sind nicht erlaubt. Eine unsachgemäße Verwendung kann zu Gefahren und zum Verlust von Garantieansprüchen führen.

Normen und Richtlinien **CE**

Dieses Produkt erfüllt die Anforderungen aller geltenden EG-Richtlinien mit den entsprechenden harmonisierten Normen, die eine CE-Kennzeichnung vorsehen.

i HINWEIS

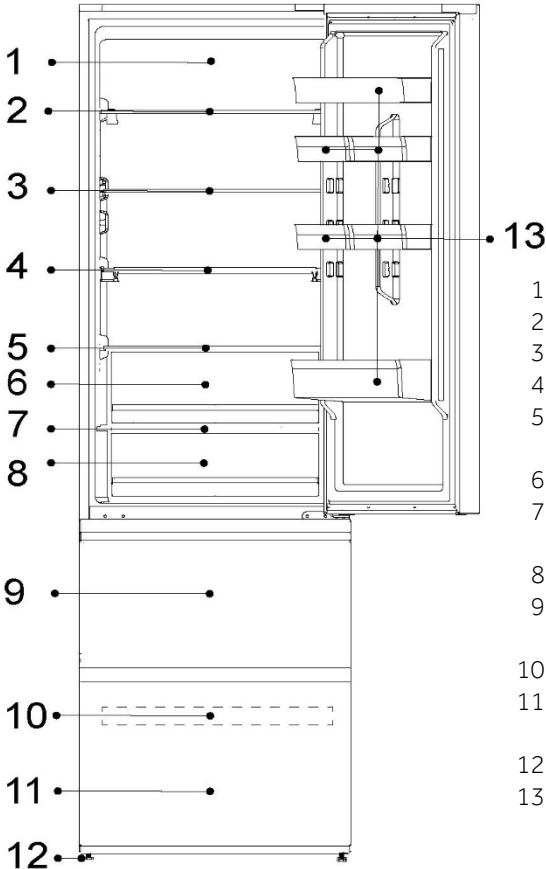
Aufgrund von technischen Änderungen und unterschiedlichen Modellen können einige der Abbildungen in dieser Anleitung von Ihrem Modell abweichen.
(HTW5620DN*, HTW5620CN*, HTW5620EN*)



- 1-LED-Lampe für den Kühlschrank
- 2-Flaschenregal
- 3-Einlegeboden aus Glas
- 4-Klappbarer Einlegeboden
- 5-Abdeckung für die Humidity Zone-Schublade
- 6-Humidity Zone-Schublade
- 7-Abdeckung für die My Zone-Schublade
- 8-My Zone-Schublade
- 9-Obere Gefrierschrank-Schublade
- 10-Ablage Gefrierfach
- 11-Untere Gefrierschrank-Schublade
- 12-Verstellbare Füße
- 13-Türfach

i HINWEIS

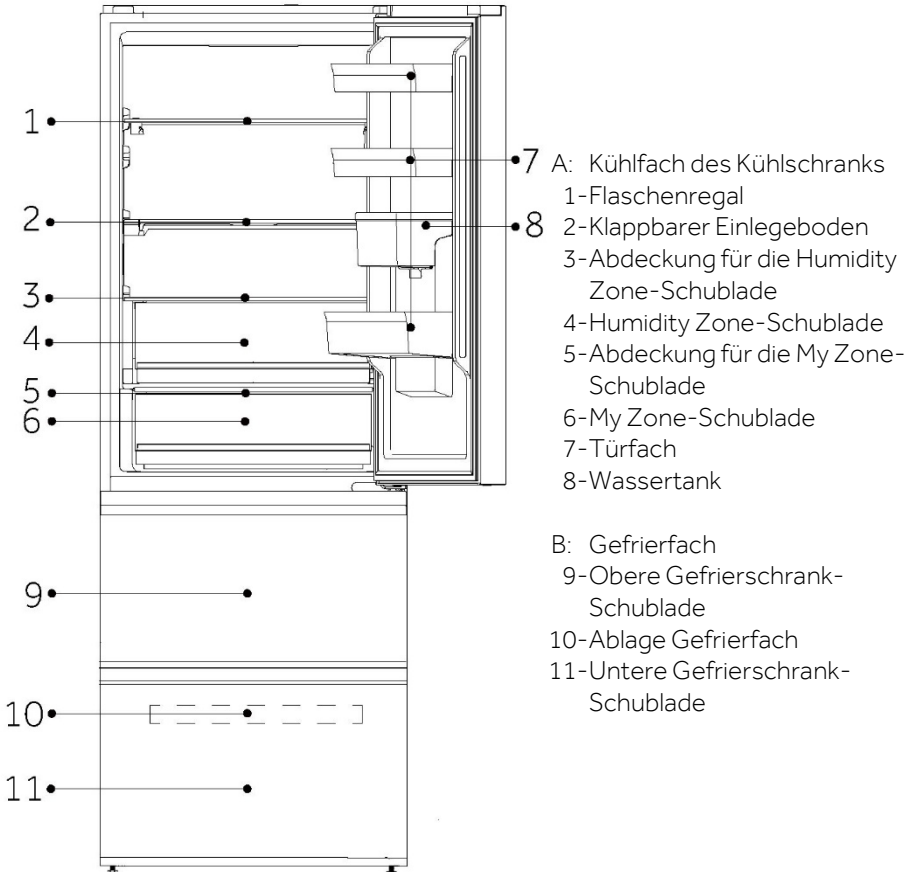
Aufgrund von technischen Änderungen und unterschiedlichen Modellen können einige der Abbildungen in dieser Anleitung von Ihrem Modell abweichen.
(HTW7620AN*, HTW7620CN*, HTW7620DN*)



- 1-Tageslicht-LED-System
- 2-Flaschenregal
- 3-Einlegeboden aus Glas
- 4-Klappbarer Einlegeboden
- 5-Abdeckung für die Humidity Zone-Schublade
- 6-Humidity Zone-Schublade
- 7-Abdeckung für die My Zone-Schublade
- 8-My Zone-Schublade
- 9-Obere Gefrierschrank-Schublade
- 10-Ablage Gefrierfach
- 11-Untere Gefrierschrank-Schublade
- 12-Verstellbare FüÙe
- 13-Türfach

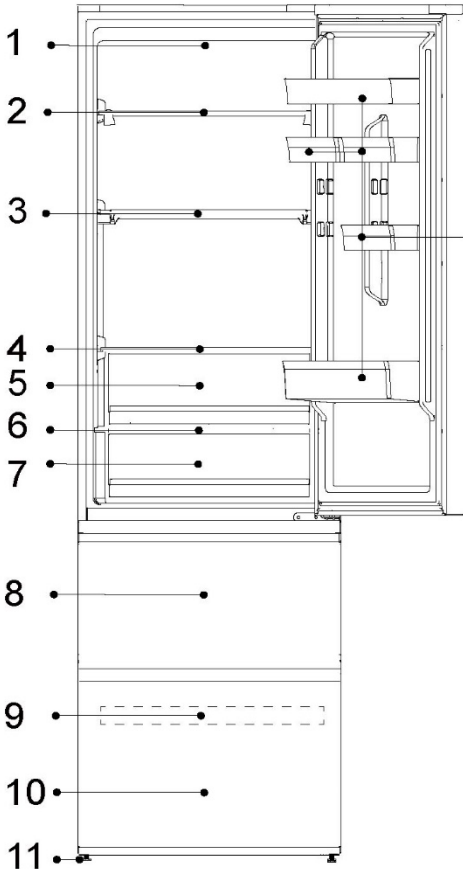
i HINWEIS

Aufgrund von technischen Änderungen und unterschiedlichen Modellen können einige der Abbildungen in dieser Anleitung von Ihrem Modell abweichen. (HTW5618DW*)



i HINWEIS

Aufgrund von technischen Änderungen und unterschiedlichen Modellen können einige der Abbildungen in dieser Anleitung von Ihrem Modell abweichen.
(HTW5618DN*, HTW5618CN*, HTW5618EN*)

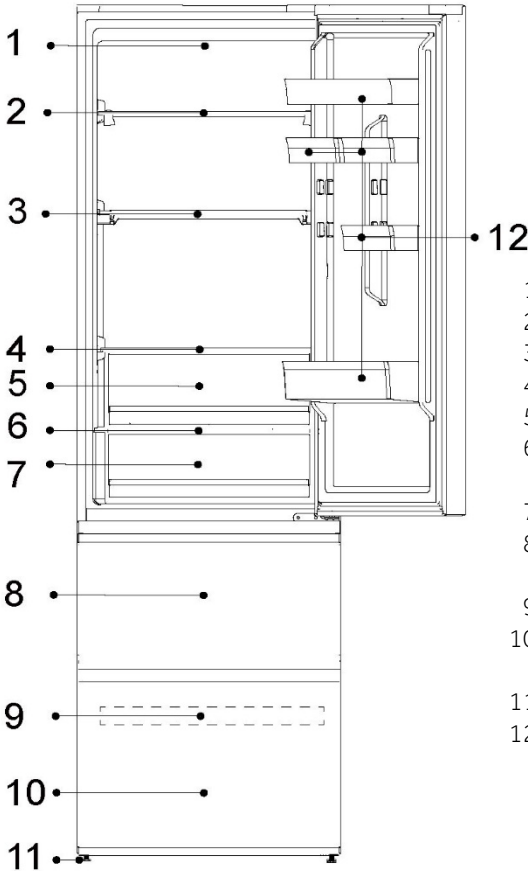


12

- 1-LED-Lampe für den Kühlschrank
- 2-Flaschenregal
- 3-Klappbarer Einlegeboden
- 4-Abdeckung für die Humidity Zone-Schublade
- 5-Humidity Zone-Schublade
- 6-Abdeckung für die My Zone-Schublade
- 7-My Zone-Schublade
- 8-Obere Gefrierschrank-Schublade
- 9-Ablage Gefrierfach
- 10-Untere Gefrierschrank-Schublade
- 11-Verstellbare Füße
- 12-Türfach

i HINWEIS

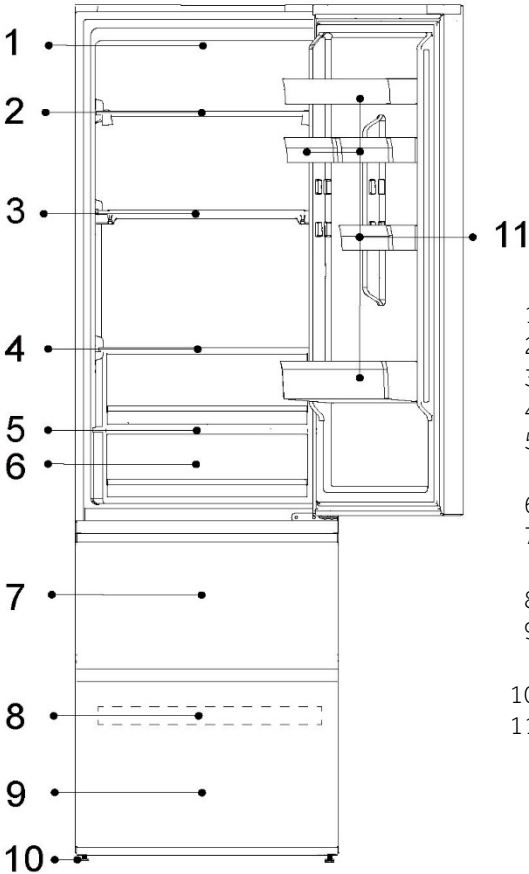
Aufgrund von technischen Änderungen und unterschiedlichen Modellen können einige der Abbildungen in dieser Anleitung von Ihrem Modell abweichen. (HTW3620DN*)



- 1-LED-Lampe für den Kühlschrank
- 2-Einlegeboden aus Glas
- 3-Einlegeboden aus Glas
- 4-Einlegeboden aus Glas
- 5-Einlegeboden aus Glas
- 6-Abdeckung für die My Zone-Schublade
- 7-My Zone-Schublade
- 8-Obere Gefrierschrank-Schublade
- 9-Ablage Gefrierfach
- 10-Untere Gefrierschrank-Schublade
- 11-Verstellbare Füße
- 12-Türfach

i HINWEIS

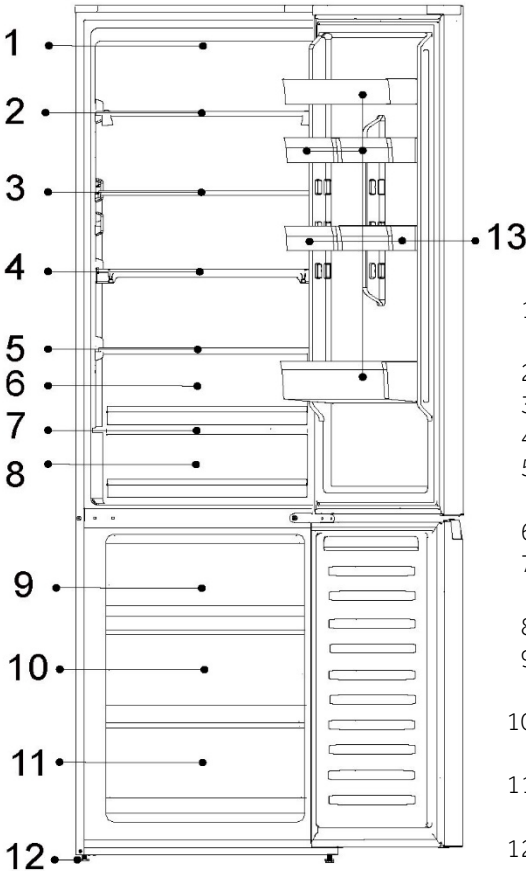
Aufgrund von technischen Änderungen und unterschiedlichen Modellen können einige der Abbildungen in dieser Anleitung von Ihrem Modell abweichen.
(HTW3618DN*, HTW3618CN*, HTW3618EN*)



- 1-LED-Lampe für den Kühlschrank
- 2-Einlegeboden aus Glas
- 3-Einlegeboden aus Glas
- 4-Einlegeboden aus Glas
- 5-Abdeckung für die My Zone-Schublade
- 6-My Zone-Schublade
- 7-Obere Gefrierschrank-Schublade
- 8-Ablage Gefrierfach
- 9-Untere Gefrierschrank-Schublade
- 10-Verstellbare Füße
- 11-Türfach

i HINWEIS

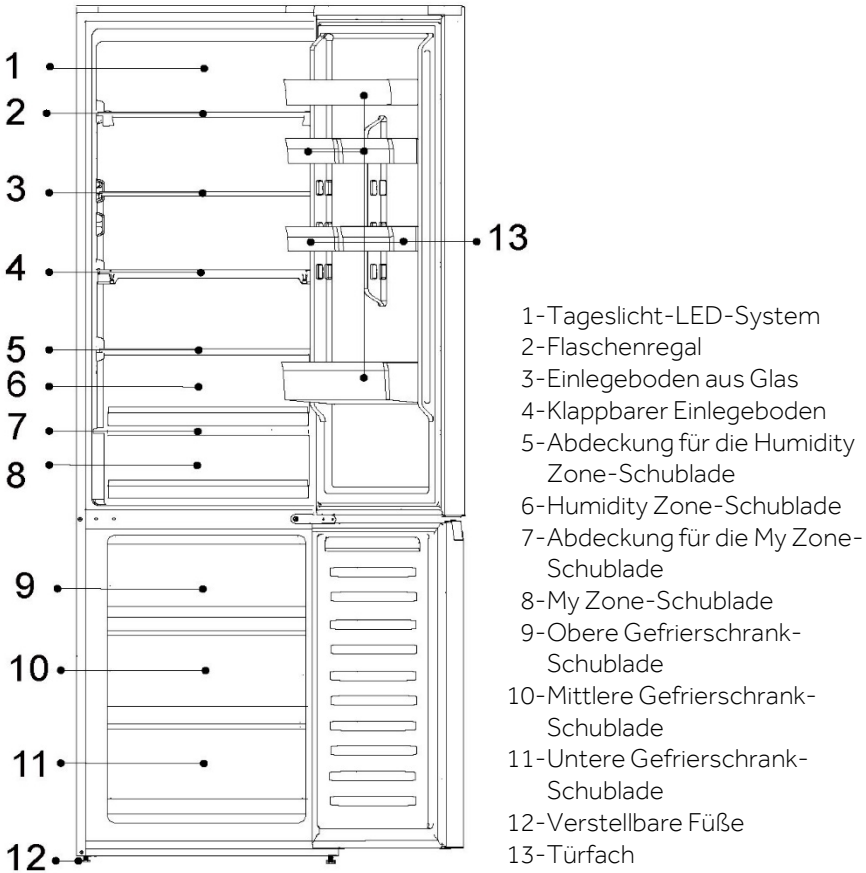
Aufgrund von technischen Änderungen und unterschiedlichen Modellen können einige der Abbildungen in dieser Anleitung von Ihrem Modell abweichen.
(HDPW5620DN*, HDPW5620CN*, HDPW5620AN*, HDPW5620BN*)



- 1-LED-Lampe für den Kühlschrank
- 2-Flaschenregal
- 3-Einlegeboden aus Glas
- 4-Klappbarer Einlegeboden
- 5-Abdeckung für die Humidity Zone-Schublade
- 6-Humidity Zone-Schublade
- 7-Abdeckung für die My Zone-Schublade
- 8-My Zone-Schublade
- 9-Obere Gefrierschrank-Schublade
- 10-Mittlere Gefrierschrank-Schublade
- 11-Untere Gefrierschrank-Schublade
- 12-Verstellbare Füße
- 13-Türfach

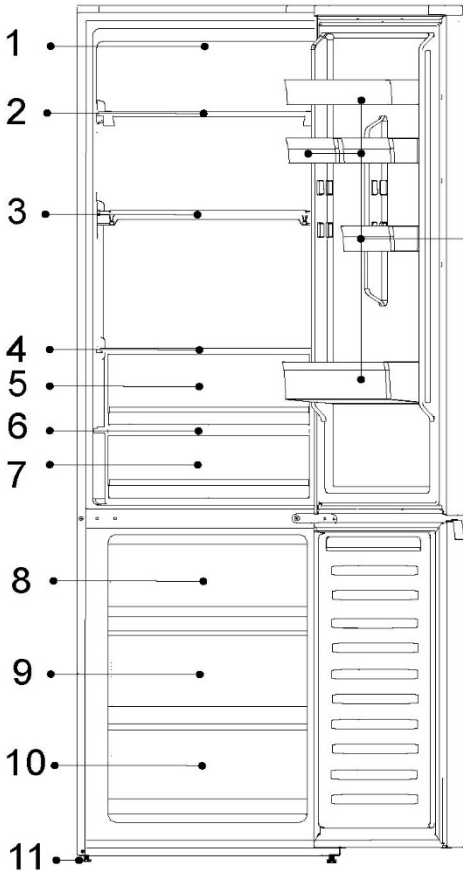
i HINWEIS

Aufgrund von technischen Änderungen und unterschiedlichen Modellen können einige der Abbildungen in dieser Anleitung von Ihrem Modell abweichen.
(HDPW7620AN*, HDPW7620AAN*)



i HINWEIS

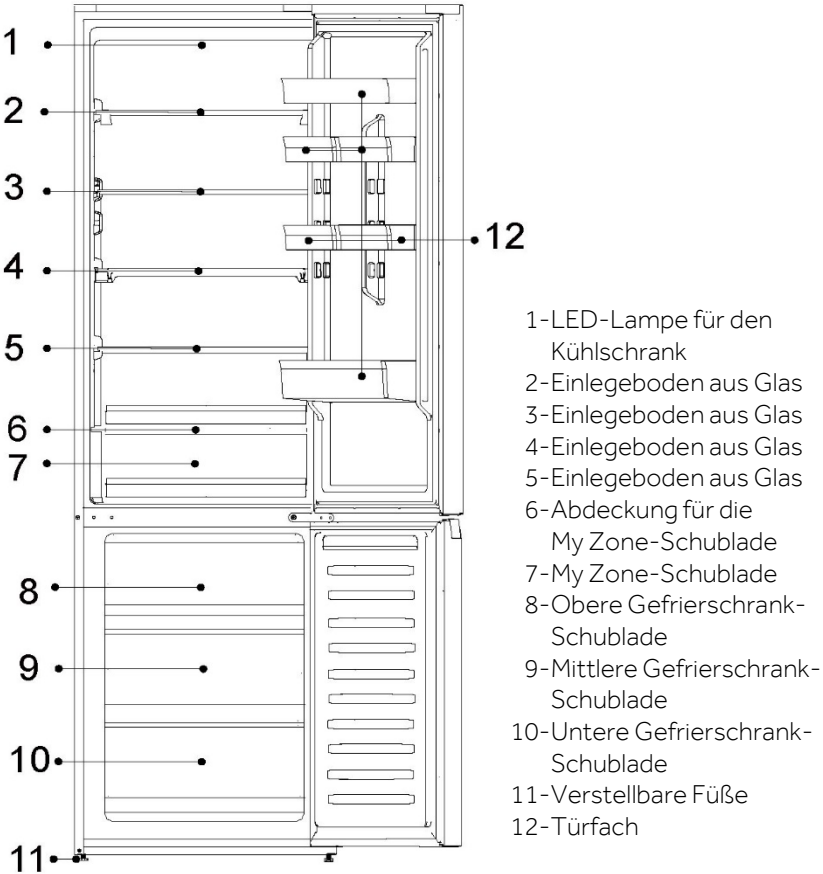
Aufgrund von technischen Änderungen und unterschiedlichen Modellen können einige der Abbildungen in dieser Anleitung von Ihrem Modell abweichen.
(HDPW5618DN*, HDPW5618CN*)



- 1-LED-Lampe für den Kühlschrank
- 2-Flaschenregal
- 3-Klappbarer Einlegeboden
- 4-Abdeckung für die Humidity Zone-Schublade
- 5-Humidity Zone-Schublade
- 6-Abdeckung für die My Zone-Schublade
- 7-My Zone-Schublade
- 8-Obere Gefrierschrank-Schublade
- 9-Mittlere Gefrierschrank-Schublade
- 10-Untere Gefrierschrank-Schublade
- 11-Verstellbare FüÙe
- 12-Türfach

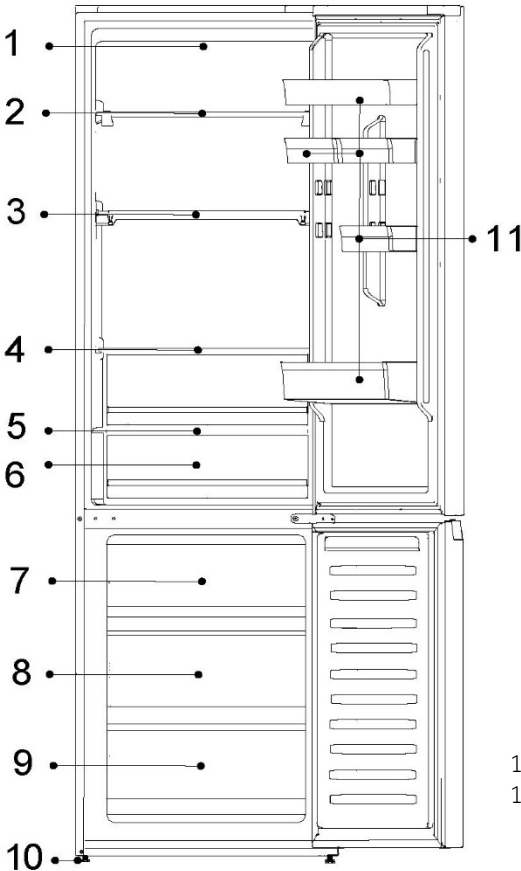
i HINWEIS

Aufgrund von technischen Änderungen und unterschiedlichen Modellen können einige der Abbildungen in dieser Anleitung von Ihrem Modell abweichen. (HDPW3620DN*, HDPW3620CN*)



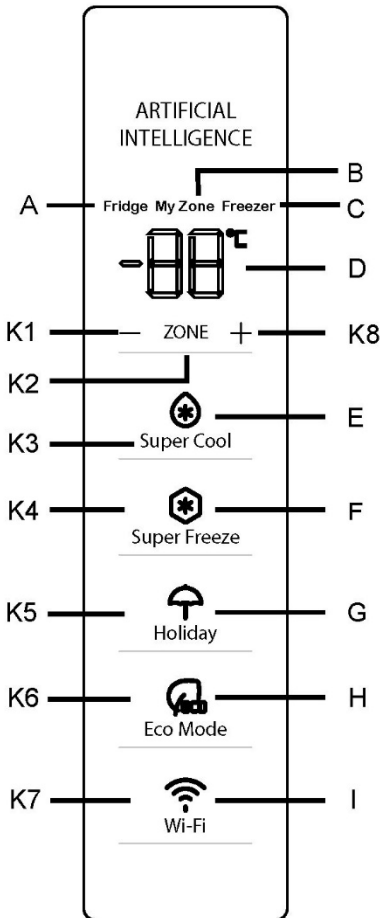
i HINWEIS

Aufgrund von technischen Änderungen und unterschiedlichen Modellen können einige der Abbildungen in dieser Anleitung von Ihrem Modell abweichen.
(HDPW3618DN*)



- 1-LED-Lampe für den Kühlschrank
- 2-Einlegeboden aus Glas
- 3-Einlegeboden aus Glas
- 4-Einlegeboden aus Glas
- 5-Abdeckung für die My Zone-Schublade
- 6-My Zone-Schublade
- 7-Obere Gefrierschrank-Schublade
- 8-Mittlere Gefrierschrank-Schublade
- 9-Untere Gefrierschrank-Schublade
- 10-Verstellbare Füße
- 11-Türfach

Bedienfeld



Anzeigen:

- A Kühlfach
- B Kühlfach (My Zone)
- C Gefrierfach
- D Temperaturanzeige
- E Super Cool-Funktion
- F Super Freeze-Funktion
- G Holiday-Funktion
- H Eco Mode-Funktion | Wi-Fi-Funktion

Tasten:

- K1 Temperatur absenken
- K2 Auswahl von Fridge, My Zone und Freezer
- K3 Super Cool-Funktion ein/aus
- K4 Super Freeze-Funktion ein/aus
- K5 Holiday-Funktion ein/aus
- K6 Eco Mode-Funktion ein/aus
- K7 Wi-Fi-Funktion ein/aus
- K8 Temperatur erhöhen

Vor der ersten Inbetriebnahme

Entfernen Sie sämtliches Verpackungsmaterial, bewahren Sie es außerhalb der Reichweite von Kindern auf und entsorgen Sie es umweltfreundlich.

Reinigen Sie die Innen- und Außenseite des Geräts sowie den Innenraum und das Zubehör mit Wasser und einem milden Reinigungsmittel, und trocknen Sie es mit einem weichen Tuch gut ab.

Warten Sie, nachdem Sie den Kühlschrank ausgerichtet und gereinigt haben, mindestens 2 Stunden, bevor Sie ihn an die Stromversorgung anschließen.

Siehe Abschnitt INSTALLATION.

Kühlen Sie die Fächer auf hoher Stufe vor, bevor Sie die Lebensmittel einlegen.

Die Super Freeze-Funktion sorgt für eine schnelle Abkühlung des Gefrierfachs.

Sensor-Tasten

Die Tasten auf dem Bedienfeld sind Sensortasten, die schon bei leichter Berührung mit dem Finger ansprechen.

Gerät ein-/ausschalten

Das Gerät ist sofort in Betrieb, wenn es an die Stromversorgung angeschlossen wird.

Wenn das Gerät zum ersten Mal eingeschaltet wird, zeigt die Temperaturanzeige „D“ die voreingestellten Werte an (siehe Hinweis unten).

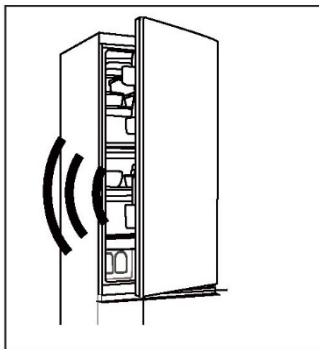
HINWEIS

Das Gerät ist auf die empfohlene Temperatur von 5 °C (Kühlschrank) und -18 °C (Gefrierschrank) voreingestellt. Die My Zone-Temperatur ist auf etwa 2 °C voreingestellt. Dies sind die empfohlenen Einstellungen. Falls gewünscht, können Sie diese Temperatur manuell ändern.

Türöffnungsalarm

Wenn die Kühlschranktür länger als 3 Minuten geöffnet ist, ertönt der Türöffnungsalarm.

Der Alarm kann durch Schließen der Tür ausgeschaltet werden. Wenn die Tür länger als 7 Minuten geöffnet bleibt, schalten sich das Licht im Inneren des Kühlschranks und die Beleuchtung des Bedienfelds automatisch aus.



Temperatur einstellen

Die Temperaturen im Inneren werden durch folgende Faktoren beeinflusst:

- ▶ Umgebungstemperatur
- ▶ Häufigkeit der Türöffnung
- ▶ Menge der gelagerten Lebensmittel
- ▶ Installation des Geräts



Einstellen der Temperatur für den Kühlschrank

1. Drücken Sie die Taste „K2“ (Auswahl Fridge/(My Zone)/Freezer), um das Kühlfach auszuwählen. Die Symbole „A“ (Kühlfach) und „D“ (Temperaturanzeige) leuchten.
2. Drücken Sie die Taste „K1/K8“, um die Temperatur des Kühlschranks einzustellen.
Die Temperatur steigt in Schritten von 1°C, von mindestens 2°C bis höchstens 8°C. Die optimale Temperatur im Kühlschrank beträgt 5 °C. Kältere Temperaturen bedeuten unnötigen Energieverbrauch.
3. Nach etwa 5 Sekunden leuchtet das Temperatursymbol „D“ (Temperaturanzeige) dauerhaft und die Einstellung ist bestätigt.

Einstellen der Temperatur für den Gefrierschrank

1. Drücken Sie die Taste „K2“ (Auswahl Fridge/(My Zone)/Freezer), um das Gefrierfach zu wählen. Das °C-Symbol „C“ (Gefrierfach) und „D“ (Temperaturanzeige) leuchten hell.
2. Drücken Sie die Taste „K1/K8“, um die Temperatur des Gefrierschranks einzustellen.
Die Temperatur steigt in Schritten von 1 °C, von mindestens -24 °C bis höchstens -16 °C. Die optimale Temperatur im Gefrierschrank beträgt -18 °C. Kältere Temperaturen bedeuten unnötigen Energieverbrauch.
3. Nach etwa 5 Sekunden leuchtet das Temperatursymbol „D“ (Temperaturanzeige) dauerhaft und die Einstellung ist bestätigt.

Einstellen der Temperatur für My Zone

Der Kühlschrank ist mit einer My Zone-Schublade ausgestattet. Je nach den Anforderungen an die Lagerung von Lebensmitteln kann die am besten geeignete Temperatur gewählt werden, um den optimalen Nährwert der Lebensmittel zu erhalten.

1. Drücken Sie die Taste „K2“ (Auswahl Fridge/(My Zone)/Freezer), um das My Zone-Fach auszuwählen. Die Symbole „B“ (My Zone-Fach) und „D“ (Temperaturanzeige) leuchten.
2. Drücken Sie die Taste „K1/K8“, um die Temperatur für My Zone einzustellen.
Die Temperatur steigt in Schritten von 1 °C, von mindestens 0 °C bis höchstens 5 °C.
3. Nach etwa 5 Sekunden leuchtet das Temperatursymbol „D“ (Temperaturanzeige) dauerhaft und die Einstellung ist bestätigt.



i HINWEIS

1. Sie können die Temperatur des My Zone-Fachs auf die mittlere Stufe (2 °C) einstellen, um Ihre Lebensmittel bei optimalen Bedingungen zu lagern.
2. Aufgrund des unterschiedlichen Wassergehalts von Fleisch werden einige Fleischsorten mit mehr Feuchtigkeit bei Temperaturen unter 0 °C eingefroren. Daher sollte frisch aufgeschnittenes Fleisch in der My Zone-Schublade bei Temperaturen von mindestens 0 °C gelagert werden.
3. Kälteempfindliche Früchte wie Ananas, Avocados, Bananen, Grapefruits und Gemüse wie Kartoffeln, Auberginen, Bohnen, Gurken, Zucchini und Tomaten sowie Käse sollten nicht in der My Zone-Schublade gelagert werden.
4. Wenn die Kühlschranktemperatur niedriger ist als die My Zone-Temperatur, ist es normal, dass die My Zone-Temperatur niedriger ist als die eingestellte My Zone-Temperatur.
5. Wenn die Raumtemperatur unter 8°C liegt, ist die Temperatur der My Zone-Schublade immer nahe 0°C.

i HINWEIS

Wenn nach der Temperatureinstellung innerhalb von 5 Sekunden weitere Tasten gedrückt werden, wird die aktuelle Temperatureinstellung sofort bestätigt. Wenn innerhalb von 5 Sekunden keine Tastenbetätigung erfolgt, wird die aktuell eingestellte Temperatur angezeigt, bis der Bildschirm erlischt.

i HINWEIS

Die Temperatur des Kühl- und Gefrierschranks und der My Zone kann über die App angepasst werden. Die Temperatur kann mit einer Empfindlichkeit von 1 °C eingestellt werden.

Super Cool-Funktion

1. Es wird empfohlen, die Super Cool-Funktion einzuschalten, wenn eine große Menge an Lebensmitteln gelagert werden soll (z. B. nach dem Einkauf). Die Super Cool-Funktion beschleunigt die Abkühlung frischer Lebensmittel und schützt die bereits gelagerte Ware vor unerwünschter Erwärmung.
2. Drücken Sie Taste „K3“ oder schalten Sie sie über die App ein; das Symbol „E“ (Super Cool-Funktion) leuchtet und die Funktion ist aktiviert.



HINWEIS

1. Das Gerät beendet die „Super Cool-Funktion“ nach 6 Stunden oder nach Drücken der Taste „K3“, wenn das Symbol „E“ (Super Cool-Funktion) leuchtet. Wahlweise kann sie über die App ausgeschaltet werden.
2. Wenn im „Super Cool“-Modus die Temperatur des Kühlfachs eingestellt wird, blinkt das Symbol „E“ (Super Cool-Funktion), um anzuzeigen, dass dieser Vorgang nicht durchgeführt werden kann.

Super Freeze-Funktion

1. Frische Lebensmittel sollten so schnell wie möglich bis zum Kern eingefroren werden. So bleiben der beste Nährwert, das Aussehen und der Geschmack erhalten. Die Super Freeze-Funktion beschleunigt das Einfrieren frischer Lebensmittel und schützt die bereits gelagerte Ware vor unerwünschter Erwärmung. Wenn Sie einmal eine große Menge an Lebensmitteln einfrieren müssen, empfiehlt es sich, die Super Freeze-Funktion bereits 24 Stunden vorher zu aktivieren.
2. Drücken Sie Taste „K4“ (Einstellung der Super Freeze-Funktion) oder schalten Sie sie über die App ein; das Symbol „F“ (Super Freeze-Funktion) leuchtet und die Funktion ist aktiviert.

HINWEIS

1. Das Gerät beendet die „Super Freeze-Funktion“ nach 50 Stunden oder nach Drücken der Taste „K4“, wenn das Symbol „F“ (Super Freeze-Funktion) leuchtet. Wahlweise kann sie über die App ausgeschaltet werden.
2. Wenn im „Super Freeze“-Modus die Temperatur des Gefrierfachs eingestellt wird, blinkt das Symbol „F“ (Super Freeze-Funktion), um anzuzeigen, dass dieser Vorgang nicht durchgeführt werden kann.

Holiday-Funktion

Die Holiday-Funktion kann verwendet werden, um den Energieverbrauch des Geräts zu reduzieren, wenn es nicht regelmäßig benutzt wird. Wenn die Funktion eingeschaltet ist, wird der Kühlschrank ausgeschaltet, während der Gefrierschrank normal weiterarbeitet. Die Funktion stellt die Kühlschranktemperatur dauerhaft auf 17 °C ein.

So kann die Tür des leeren Kühlschranks auch bei längerer Abwesenheit (z. B. im Urlaub) geschlossen bleiben, ohne dass Geruch oder Schimmel entsteht. Das Gefrierfach kann nach Bedarf eingestellt werden.

1. Drücken Sie die Taste „K5“ (Holiday-Funktion ein/aus) oder wählen Sie die Funktion in der App aus; das Symbol „G“ (Holiday-Funktion) leuchtet und die Funktion ist aktiviert.



2. Die Funktion kann durch erneutes Drücken der Taste „K5“ (Holiday-Funktion ein/aus), Einstellen der Kühlschranktemperatur, durch eine andere Eingabe oder durch Ausschalten über die App deaktiviert werden.

i HINWEIS

1. Während die Holiday-Funktion aktiviert ist, sollten keine Lebensmittel im Kühlschrank gelagert werden. Die Temperatur von 17 °C ist für die Lagerung von Lebensmitteln zu hoch.
2. Wenn die Holiday-Funktion aktiviert ist, bleibt das Symbol der My Zone aus und die Kühlschrankfunktion ist gesperrt. Wenn die Temperatur des Kühlschranks dennoch eingestellt wird, blinkt das Symbol „G“ (Holiday-Funktion), um anzuzeigen, dass dieser Vorgang nicht durchgeführt werden kann.

Eco Mode-Funktion

Die Eco Mode-Funktion kann aktiviert werden, um die Leistung des Geräts zu optimieren und gleichzeitig die beste Lagerung von Lebensmitteln zu erreichen. Wenn Sie keine besonderen Anforderungen an die Lagerung haben, empfehlen wir Ihnen, die Eco Mode-Funktion zu verwenden.

In diesem Modus beträgt die Kühlschranktemperatur 5 °C und die Gefrierschranktemperatur -18 °C.



1. Drücken Sie die Taste „K6“ (Eco Mode-Funktion ein/aus) oder wählen Sie die Funktion in der App aus.
2. Das Symbol „H“ (Eco Mode-Funktion) leuchtet und die Funktion ist aktiviert.

Durch Wiederholung der obigen Schritte oder Auswahl einer anderen Funktion oder Ausschalten über die App kann diese Funktion wieder ausgeschaltet werden. Die zuvor eingestellten Kühlstufen werden wiederhergestellt.

i HINWEIS

Wenn während der Eco Mode-Funktion die Temperatur des Kühl-/Gefrierfachs eingestellt wird, blinkt das Symbol „H“ (Eco Mode-Funktion), um anzuzeigen, dass dieser Vorgang nicht durchgeführt werden kann.

Schritt 1 Laden Sie die hOn-App aus den Stores herunter.

   	
<p>Schritt 2 Erstellen Sie Ihr Konto in der hOn-App oder melden Sie sich an, wenn Sie bereits ein Konto haben.</p> 	<p>Schritt 3 Folgen Sie den Kopplungsanweisungen in der hOn-App.</p> 

Wi-Fi-Funktion

1. Folgen Sie den Anweisungen in der App, um die Wi-Fi-Funktion zu konfigurieren.
2. Sobald sie konfiguriert und die Verbindung hergestellt ist, leuchtet das Wi-Fi-Symbol „I“ permanent.
3. Wenn die Wi-Fi-Funktion bereits konfiguriert wurde, wird die Verbindung automatisch entsprechend der Konfigurationsinformationen wiederhergestellt, sobald die Wi-Fi-Funktion aktiviert wird.

HINWEIS

1. Um das Wi-Fi auszuschalten, drücken Sie die Wi-Fi-Taste „K7“ und das Wi-Fi-Symbol „I“ wird ausgeschaltet.
2. Um die Wi-Fi-Funktion einzuschalten und die Konfiguration zu starten, drücken Sie die Wi-Fi-Taste „K7“ und das Wi-Fi-Symbol „I“ beginnt langsam zu blinken. Wenn Sie die Wi-Fi-Funktion konfigurieren möchten, drücken Sie drei Sekunden lang die Taste „K7“. Das Wi-Fi-Symbol blinkt schnell und der Konfigurationsmodus wird aktiviert. Wenn Sie die Wi-Fi-Funktion ausschalten möchten, drücken Sie einmal die Taste „K7“. Die oben genannten Schritte werden wiederholt.
3. Wenn das Gerät konfiguriert und die Wi-Fi-Funktion ausgeschaltet wurde, geht der Kühlschrank nicht in den Konfigurationsmodus über, nachdem er wieder an die Stromversorgung angeschlossen wird.

HINWEIS

1. Dieses Gerät ist nicht für die kommerzielle Nutzung bestimmt.
2. Maximale HF-Ausgangsleistung: 2,4 GHz Wi-Fi: 16 dBm.
3. Bluetooth LE: 5dBm; Bluetooth (BR/EDR): 10dBm.
4. Frequenzbandbereich: 2400-2483,5 MHz.



Aufbewahrung im Kühlschrank

- Halten Sie die Temperatur Ihres Kühlschranks unter 5 °C.
- Heiße Lebensmittel vor der Lagerung im Kühlschrank auf Raumtemperatur abkühlen lassen.
- Lebensmittel sollten vor der Lagerung im Kühlschrank gewaschen und abgetrocknet werden.
- Die zu lagernden Lebensmittel sollten gut verpackt und verschlossen sein, um Geruchs- oder Geschmacksveränderungen zu vermeiden.
- Lagern Sie keine übermäßigen Mengen an Lebensmitteln. Lassen Sie Zwischenräume zwischen den Lebensmitteln, damit die kalte Luft zirkulieren kann, um eine bessere und gleichmäßigere Kühlung zu erreichen.
- Lebensmittel, die täglich verzehrt werden, sollten im vorderen Teil des Einlegebodens gelagert werden.
- Lassen Sie Platz zwischen den Lebensmitteln und den Innenwänden, damit die Luft zirkulieren kann. Lagern Sie Lebensmittel niemals an der Rückwand, da sie dort festfrieren könnten. Vermeiden Sie den direkten Kontakt von Lebensmitteln (insbesondere bei öligen oder säurehaltigen Lebensmitteln) mit der Innenauskleidung, da Öl/Säure die Innenauskleidung angreifen kann. Reinigen Sie ölige/säurehaltige Verschmutzungen, wenn Sie sie vorfinden.
- Gefrorene Lebensmittel können im Kühlschrank schonend aufgetaut werden. Das spart Energie.
- Die Reifung von Obst und Gemüse wie Zucchini, Melonen, Papaya, Banane, Ananas usw. kann im Kühlschrank beschleunigt werden. Daher sollten sie nicht im Kühlschrank aufbewahrt werden. Die Reifung von noch grünem Obst kann im Kühlschrank jedoch auch beschleunigt werden. Zwiebeln, Knoblauch, Ingwer und anderes Wurzelgemüse sollten ebenfalls bei Raumtemperatur gelagert werden.
- Unangenehme Gerüche im Inneren des Kühlschranks sind ein Zeichen dafür, dass etwas verschüttet wurde und gesäubert werden muss. Siehe „Pflege und Reinigung“.
- Verschiedene Lebensmittel sollten entsprechend ihrer Eigenschaften an verschiedenen Stellen eingeräumt werden.

Einlagerung im Gefrierfach

- Halten Sie die Gefriertemperatur bei -18°C.
- Schalten Sie 24 Stunden vor dem Einfrieren die Super Freeze-Funktion ein. Für kleine Mengen an Lebensmitteln sind 4-6 Stunden ausreichend.
- Heiße Lebensmittel vor der Lagerung im Gefrierschrank auf Raumtemperatur abkühlen lassen.
- In kleine Portionen geschnittene Lebensmittel frieren schneller ein und lassen sich leichter auftauen und garen. Das empfohlene Gewicht für jede Portion beträgt höchstens 2,5 kg.
- Lebensmittel verpacken, bevor Sie sie in den Gefrierschrank legen. Die Außenseite der Verpackung muss trocken sein, um ein



Zusammenkleben der Beutel zu vermeiden. Die Verpackungsmaterialien sollten geruchsfrei, luftdicht, ungiftig und ungenießbar sein.

- Damit das Verfallsdatum nicht abläuft, notieren Sie sich das Einfrierdatum, das Verfallsdatum und den Namen des Lebensmittels auf der Verpackung. Unterschiedliche Lebensmittel können unterschiedlich lange gelagert werden.



WARNUNG!

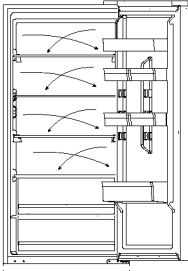
- ▶ Säuren, Laugen, Salze usw. können die Innenfläche des Gefriergeräts angreifen.
- ▶ Legen Sie die Lebensmittel, die diese Stoffe enthalten (z. B. Seefisch), nicht direkt auf die Innenfläche. Ausgetropftes Salzwasser im Gefrierschrank sollte sofort beseitigt werden.
- ▶ Überschreiten Sie nicht die von den Herstellern empfohlene Haltbarkeitsdauer der Lebensmittel. Nehmen Sie nur die benötigte Menge an Lebensmitteln aus dem Gefrierschrank.
- ▶ Verbrauchen Sie aufgetaute Lebensmittel schnell. Aufgetaute Lebensmittel können nicht wieder eingefroren werden, es sei denn, sie wurden erneut durchgegart. Ansonsten können sie ungenießbar sein.
- ▶ Legen Sie keine übermäßigen Mengen an frischen Lebensmitteln in das Gefrierfach. Informieren Sie sich über die Gefrierkapazität des Tiefkühlgeräts. - Siehe TECHNISCHE DATEN oder Daten auf dem Typenschild.
- ▶ Lebensmittel können im Gefrierschrank bei einer Temperatur von mindestens -18 °C je nach Beschaffenheit 2 bis 12 Monate gelagert werden (z. B. Fleisch: 3-12 Monate, Gemüse: 6-12 Monate)
- ▶ Vermeiden Sie beim Einfrieren frischer Lebensmittel den Kontakt mit bereits gefrorenen Lebensmitteln. Es besteht die Gefahr, dass diese auftauen!

Beachten Sie bei der Lagerung von handelsüblicher Tiefkühlware diese Richtlinien:

- Befolgen Sie immer die Richtlinien der Hersteller, die angeben, wie lange die Lebensmittel aufbewahrt werden können. Überschreiten Sie diese Richtlinien nicht!
- Versuchen Sie, die Zeitspanne zwischen Einkauf und Lagerung so kurz wie möglich zu halten, um die Lebensmittelqualität zu erhalten.
- Kaufen Sie Tiefkühlkost, die bei einer Temperatur von -18 °C oder darunter gelagert wurde.
- Vermeiden Sie den Kauf von Lebensmitteln, die Eis oder Reif auf der Verpackung haben. Dies deutet darauf hin, dass die Produkte möglicherweise teilweise aufgetaut und irgendwann wieder eingefroren wurden. Temperaturerhöhungen beeinträchtigen die Qualität der Lebensmittel.

i HINWEIS

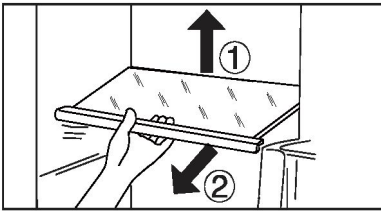
Aufgrund der unterschiedlichen Modelle verfügt Ihr Produkt möglicherweise nicht über alle der folgenden Funktionen. Bitte beachten Sie das Kapitel zur Produktbeschreibung. I.



Mehrfach-Luftstrom

Der Kühlschrank ist mit einem Mehrfach-Luftstrom-System ausgestattet, bei dem auf jeder Ebene der Einlegeböden kühle Luftströme zirkulieren. Dadurch wird eine gleichmäßige Temperatur aufrechterhalten, um sicherzustellen, dass Ihre Lebensmittel länger frisch bleiben.

Verstellbarer Einlegeboden



1. Die Höhe der Einlegeböden kann an Ihren Lagerbedarf angepasst werden.
2. Um einen Einlegeboden zu versetzen, heben Sie ihn an der Hinterkante an ① und ziehen Sie ihn heraus ②.
3. Um ihn wieder einzubauen, setzen Sie ihn auf die Träger an beiden Seiten und schieben sie ihn ganz nach hinten, bis die Rückseite des Einlegebodens in den Schlitz an den Seiten steckt.

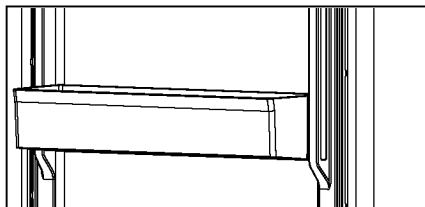
i HINWEIS

Prüfen Sie, ob alle Seiten des Einlegebodens waagrecht sind.

Abnehmbares Türfach

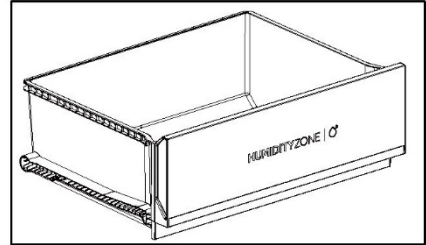
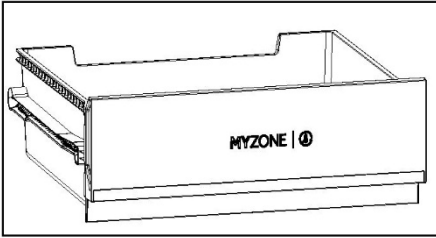
Das Türfach kann zur Reinigung abgenommen werden:

Halten Sie es dazu mit beiden Händen fest, heben Sie es nach oben (1) und ziehen Sie es heraus (2). Um das Türfach wieder einzusetzen, führen Sie die oben genannten Schritte in umgekehrter Reihenfolge durch.



My Zone-Schublade

Zur Verwendung und Einstellung des Fachs „My Zone“ lesen Sie den Abschnitt VERWENDUNG (My Zone).



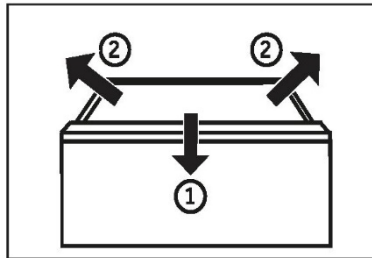
Humidity Zone-Schublade

In diesem Fach wird die Luftfeuchtigkeit automatisch vom System geregelt und es eignet sich für die Lagerung von Obst, Gemüse, Salaten usw.

Herausnehmbare Schublade

Um die Schublade aus dem Kühl- oder Gefrierfach herauszunehmen, ziehen Sie sie bis zum Anschlag heraus (1), heben sie an und nehmen sie heraus (2).

Um die Schublade wieder einzusetzen, werden die oben genannten Schritte in umgekehrter Reihenfolge durchgeführt.



Gefrierschublade

Die Gefrierschublade kann gerade und vollständig ausgezogen werden. Sie ist auf einer leichtgängigen Teleskopschiene montiert. So können Sie das Gefriergut bequem lagern und entnehmen. Durch den automatischen Türschließmechanismus ist die Handhabung einfach und Sie sparen Energie.



WARNUNG!

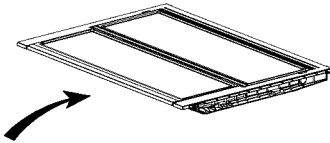
Schubladen nicht überladen: Maximale Belastung der einzelnen Schubladen: 35 kg!

Beleuchtung

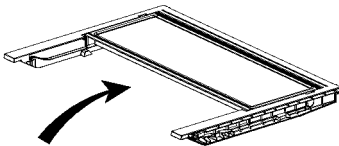
Die LED-Innenbeleuchtung leuchtet, wenn die Tür geöffnet wird. Die Leistung der LEDs wird durch keine andere Geräteeinstellung beeinflusst.

Klappbarer Einlegeboden

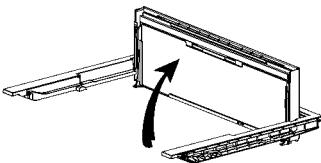
Der klappbare Einlegeboden ermöglicht es dem Benutzer, auch hohe Flaschen oder Gegenstände in den Kühlschrank stellen. Der klappbare Einlegeboden kann nach hinten geklappt werden, sodass der verfügbare Platz im unteren Einlegeboden größer wird. Der Einlegeboden lässt sich, wie in Schritt 1 bis 3 erklärt, zusammenklappen. Wenn Sie den ursprünglichen Einlegeboden wieder herstellen möchten, kehren Sie die folgenden Schritte um.



Schritt 1: Den vorderen Teil des Einlegebodens langsam bis zum Ende schieben.



Schritt 2: Den Einlegeboden langsam nach oben in die senkrechte Position schieben.



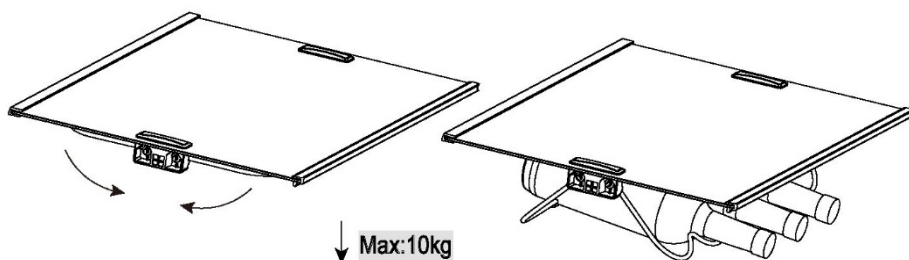
Schritt 3: Der Einlegeboden ist jetzt hochgeklappt. Das spart Platz.

Zusammenklappbares Flaschenregal

Für den normalen Gebrauch

1. Die Halterungen des Flaschenregals nach unten ziehen.
2. Die Flaschen in das Flaschenregal schieben.

Bei Nichtgebrauch kann das Flaschenregal platzsparend zurückgeklappt werden.





Energiespartipps

- ▶ Stellen Sie sicher, dass das Gerät ordnungsgemäß belüftet ist (siehe INSTALLATION).
- ▶ Stellen Sie das Gerät nicht in direktem Sonnenlicht oder in der Nähe von Hitzequellen (z. B. Herde, Heizungen) auf.
- ▶ Vermeiden Sie unnötig niedrige Temperaturen im Gerät. Der Energieverbrauch steigt mit der Verringerung der eingestellten Temperatur im Gerät.
- ▶ Funktionen wie SUPER FREEZE verbrauchen mehr Energie.
- ▶ Lassen Sie warme Mahlzeiten abkühlen, bevor Sie diese in den Kühlschrank stellen.
- ▶ Öffnen Sie die Gerätetür so wenig und so kurz wie möglich.
- ▶ Achten Sie darauf, das Gerät nicht zu überladen, um den Luftstrom nicht zu behindern.
- ▶ Vermeiden Sie Luft innerhalb der Lebensmittelverpackung.
- ▶ Halten Sie die Türdichtungen sauber, damit die Tür immer richtig schließt.
- ▶ Tauen Sie gefrorene Lebensmittel im Kühlfach auf oder verwenden Sie die D-Frost-Funktion in der My Zone-Schublade.
- ▶ Die energiesparendste Konfiguration erfordert, dass Schublade, Lebensmittelbox und Einlegeböden im Gerät so wie geliefert eingesetzt werden und die Lebensmittel so platziert werden, dass sie den Luftauslass des Kanals nicht blockieren.



WARNUNG!

Trennen Sie das Gerät vor der Reinigung von der Stromversorgung.

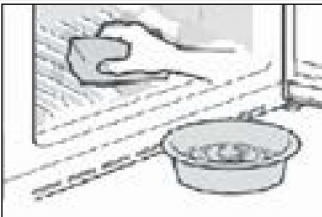
Reinigung

Reinigen Sie das Gerät, wenn nur wenig oder keine Lebensmittel gelagert werden. Das Gerät sollte alle vier Wochen gereinigt werden, um eine gute Wartung zu gewährleisten und um schlechte Gerüche von gelagerten Lebensmitteln zu vermeiden.



WARNUNG!

- ▶ Reinigen Sie das Gerät nicht mit harten Bürsten, Drahtbürsten, Reinigungspulver, Benzin, Amylacetat, Aceton und ähnlichen organischen Lösungen, Säure oder Alkalilösungen. Reinigen Sie das Gerät mit einem speziellen Reinigungsmittel für Kühlgeräte, um Beschädigungen zu vermeiden.
- ▶ Das Gerät darf während der Reinigung nicht besprüht oder mit Wasser beschüttet werden.
- ▶ Das Gerät nicht mit Wasser besprühen oder mit Dampf reinigen.
- ▶ Reinigen Sie die kalten Einlegeböden aus Glas nicht mit heißem Wasser. Plötzliche Temperaturschwankungen können dazu führen, dass das Glas zerspringt.
- ▶ Berühren Sie nicht die Innenfläche des Gefrierschranks, insbesondere nicht mit nassen Händen, da Ihre Hände an der Oberfläche festfrieren könnten.
- ▶ Überprüfen Sie bei einem eventuellen Temperaturanstieg den Zustand des Gefrierguts.



- ▶ Halten Sie die Türdichtung immer sauber.
- ▶ Reinigen Sie das Innere und das Gehäuse des Geräts mit einem Schwamm, der mit warmem Wasser und einem neutralen Reinigungsmittel angefeuchtet wurde.
- ▶ 1. Säubern Sie den Kühlschrank innen und außen, einschließlich Türdichtungen, Türablage, Glasablagen, Schubladen usw., gründlich mit einem weichen Geschirrtuch oder einem Schwamm, der in warmes Wasser eingetaucht wurde (eventuell mit etwas neutralem Reinigungsmittel im Wasser).
- ▶ 2. Wenn Flüssigkeit verschüttet wurde, nehmen Sie alle verschmutzten Teile heraus, spülen Sie sie unter fließendem Wasser ab, trocknen Sie sie ab und setzen Sie sie wieder in den Kühlschrank ein.
- ▶ 3. Bei verschütteten Milchprodukten (z. B. Sahne, schmelzendes Eis) entfernen Sie die verunreinigten Teile, legen Sie sie für eine Weile in ca. 40 °C warmes Wasser, spülen Sie sie dann unter fließendem Wasser ab, trocknen Sie sie ab und setzen Sie sie wieder in den Kühlschrank ein.
- ▶ 4. Falls ein kleines Teil oder Krümel im Inneren des Kühlschranks (zwischen die Ablagen oder Schubladen) festsitzen, lösen Sie die Verunreinigung mit einer weichen Zahnbürste. Wenn Sie die Verunreinigung nicht entfernen konnten, wenden Sie sich bitte an den Haier-Kundendienst.



- ▶ Wischen Sie den Kühlschrank mit einem feuchten Tuch gründlich aus und trocknen Sie ihn mit einem weichen Tuch ab.
- ▶ Reinigen Sie Geräteteile nicht in einer Geschirrspülmaschine.
- ▶ Warten Sie vor dem Neustart des Geräts mindestens 5 Minuten, da ein häufiger Neustart den Kompressor beschädigen kann.

Abtauen

Das Abtauen des Kühl- und Gefrierschranks erfolgt automatisch; eine manuelle Bedienung ist nicht erforderlich.

Austausch der LED-Leuchten



WARNUNG!

Wechseln Sie die LED nicht selbst. Sie darf nur vom Hersteller oder von einem autorisierten Service-Mitarbeiter ausgetauscht werden.

Die Leuchte nutzt als Lichtquelle eine LED mit geringem Energieverbrauch und langer Lebensdauer. Bei Anomalien wenden Sie sich bitte an den Kundenservice. Siehe KUNDENSERVICE.

Parameter der Leuchte:

Teil	LED-Lampe
Spannung	12 V
max. Leistung	1,5 W
LED-Spezifikation	Weiß-2835
LED-Effizienzklasse	G
Verwendungstemperatur	-40~80 °C

HDPW7620*, HTW7620*

Teil	LED-Lampe
Spannung	12 V
max. Leistung	8W
LED-Spezifikation	White-4014
LED-Effizienzklasse	G
Verwendungstemperatur	-30~60°C

Nichtverwendung für einen längeren Zeitraum

Wenn das Gerät über einen längeren Zeitraum nicht benutzt wird und Sie die Holiday-Funktion für den Kühlschrank nicht verwenden:

Nehmen Sie die Lebensmittel heraus.

Ziehen Sie das Netzkabel ab.

Reinigen Sie das Gerät wie oben beschrieben.

Lassen Sie die Türen auf, um die Bildung von schlechten Gerüchen zu verhindern.



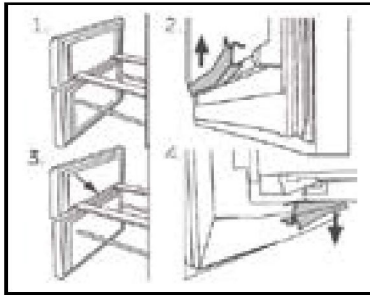
HINWEIS

Schalten Sie das Gerät nur aus, wenn es unbedingt nötig ist.

Abnehmbare, zusätzliche Türdichtungen

An den oberen und unteren Gefrierschubladen befinden sich sechs zusätzliche Türdichtungen.

1. Suchen Sie die fünf angegebenen Türdichtungen an den oberen und unteren Gefrierschubladen.
 2. Achten Sie beim Anbringen darauf, dass die gebogenen Stellen der Dichtungen nach innen zeigen.
 3. Bringen Sie die untere Dichtung der oberen Schublade wie gezeigt an.
 4. Achten Sie darauf, dass der gebogene Teil dieser Dichtung beim Anbringen nach unten zeigt.
- Diese zusätzlichen Dichtungen sowie die Drehtür-/Schubladen-Dichtungen erhalten Sie über den Kundenservice (siehe Garantiekarte).



Verstellen des Geräts

1. Nehmen Sie alle Lebensmittel heraus und ziehen Sie den Gerätestecker aus der Steckdose.
2. Fixieren Sie die Einlegeböden und andere bewegliche Teile im Kühlschrank und im Gefrierschrank mit Klebeband.
3. Den Kühlschrank um maximal 45° kippen, um eine Beschädigung des Kühlsystems zu vermeiden.



WARNUNG!

- ▶ Heben Sie das Gerät nicht an seinen Griffen an.
- ▶ Stellen Sie das Gerät niemals waagrecht auf den Boden.

Viele auftretende Probleme können von Ihnen selbst ohne spezifische Fachkenntnisse gelöst werden. Bei Problemen prüfen Sie bitte alle angezeigten Möglichkeiten und befolgen Sie die nachstehenden Anweisungen, bevor Sie einen Kundendienst kontaktieren. Siehe KUNDENSERVICE.



WARNUNG!

- ▶ Schalten Sie das Gerät vor der Wartung aus und ziehen Sie den Netzstecker aus der Steckdose.
- ▶ Elektrische Geräte sollten nur von qualifizierten Fachelektrikern repariert werden, da unsachgemäße Reparaturen erhebliche Folgeschäden verursachen können.
- ▶ Eine beschädigte Lieferung sollte nur vom Hersteller, von seinem Service-Mitarbeiter oder einer gleichwertig qualifizierten Person ausgetauscht werden, um jegliches Risiko zu vermeiden.

Tabelle zur Fehlerbehebung

Problem	Mögliche Ursache	Mögliche Behebung
Der Kompressor funktioniert nicht.	Der Netzstecker ist nicht an die Steckdose angeschlossen.	Den Netzstecker anschließen.
	Das Gerät befindet sich im Abtauzyklus.	Dies ist normal für eine automatische Abtaugung.
Das Gerät läuft häufig oder zu lange.	Die Innen- oder Außentemperatur ist zu hoch.	In diesem Fall ist es normal, dass das Gerät länger läuft.
	Das Gerät wurde über einen längeren Zeitraum ausgeschaltet.	Normalerweise dauert es 8 bis 12 Stunden, bis das Gerät vollständig abgekühlt ist.
	Eine Tür/Schublade wurde nicht richtig geschlossen.	Die Tür/Schublade schließen und sicherstellen, dass das Gerät auf einem ebenen Untergrund steht und dass keine Lebensmittel oder Behälter gegen die Tür stoßen.
	Die Tür/Schublade wurde zu häufig oder zu lange geöffnet.	Die Tür/Schublade nicht zu häufig öffnen.
	Die Temperatur für den Gefrierschrank ist zu niedrig.	Die Temperatur höher einstellen, bis eine zufriedenstellende Kühlschranktemperatur erreicht ist. Es dauert 24 Stunden, bis sich die Temperatur im Kühlschrank stabilisiert hat.
	Die Tür-/Schubladendichtungen sind verschmutzt, verschlissen, gerissen oder verrutscht.	Die Tür-/Schubladendichtungen reinigen oder vom Kundenservice ersetzen lassen.
Die erforderliche Luftzirkulation ist nicht gewährleistet.	Für eine ausreichende Belüftung sorgen.	



Problem	Mögliche Ursache	Mögliche Behebung
Das Innere des Kühlschranks ist schmutzig beziehungsweise übelriechend.	Das Innere des Kühlschranks muss gereinigt werden.	Das Innere des Kühlschranks reinigen.
	Lebensmittel mit starkem Geruch werden im Kühlschrank gelagert.	Lebensmittel sorgfältig einpacken.
Das Innere des Geräts ist nicht kalt genug.	Die Temperatur ist zu hoch eingestellt.	Die Temperatur zurücksetzen.
	Es wurden zu warme Lebensmittel gelagert.	Lebensmittel vor dem Lagern immer abkühlen lassen.
	Es wurden zu viele Lebensmittel auf einmal hineingelegt.	Nur kleinere Mengen an Lebensmitteln neu hineinlegen.
	Die Lebensmittel liegen zu dicht beieinander.	Zwischen mehreren Lebensmitteln einen Abstand lassen, damit die Luft zirkulieren kann.
	Eine Tür/Schublade wurde nicht richtig geschlossen.	Die Tür/Schublade schließen.
	Die Tür/Schublade wurde zu häufig oder zu lange geöffnet.	Die Tür/Schublade nicht zu häufig öffnen.
Das Innere des Geräts ist zu kalt.	Die Temperatur ist zu niedrig eingestellt.	Die Temperatur zurücksetzen.
	Die Super Freeze-Funktion ist aktiviert oder läuft zu lange.	Die Super Freeze-Funktion ausschalten.
Feuchtigkeitsbildung im Innern des Kühlfachs.	Das Klima ist zu warm und zu feucht.	Die Temperatur erhöhen.
	Eine Tür/Schublade wurde nicht richtig geschlossen.	Die Tür/Schublade schließen.
	Die Tür/Schublade wurde zu häufig oder zu lange geöffnet.	Die Tür/Schublade nicht zu häufig öffnen.
	Lebensmittelbehälter oder Flüssigkeiten werden offen gelassen.	Heiße Speisen auf Raumtemperatur abkühlen lassen und Speisen und Flüssigkeiten abdecken.
Feuchtigkeit sammelt sich außen am Kühlschrank oder zwischen der Tür oder den Türen und der Schublade.	Das Klima ist zu warm und zu feucht.	Das ist bei feuchtem Klima normal und ändert sich, wenn die Feuchtigkeit abnimmt.
	Die Tür/Schublade ist nicht richtig geschlossen.	Prüfen Sie, ob die Tür/Schublade fest geschlossen ist.
Die Symbole auf dem Display blinken abwechselnd und das Kühlsystem funktioniert nicht.	Der Demo-Modus ist aktiviert.	Der Kühlschrank wird mit Strom versorgt Halten Sie die Taste „ZONE“ gedrückt und klicken Sie fünfmal auf die Taste „Eco Mode“, dann hören die Symbole nacheinander auf zu blinken.



Problem	Mögliche Ursache	Mögliche Behebung
Starke Eisbildung und Frost im Gefrierfach.	Die Lebensmittel sind nicht angemessen verpackt.	Lebensmittel immer gut verpacken.
	Eine Tür-/Schublade wurde nicht richtig geschlossen.	Die Tür-/Schublade schließen.
	Die Tür-/Schublade wurde zu häufig oder zu lange geöffnet.	Die Tür-/Schublade nicht zu häufig öffnen.
	Die Tür-/Schubladendichtungen sind verschmutzt, verschlissen, gerissen oder verrutscht.	Die Tür-/Schubladendichtungen reinigen oder austauschen.
	Etwas im Inneren verhindert, dass die Tür-/Schublade richtig schließt.	Die Einlegeböden, Türfächer oder Behälter so versetzen, dass die Tür-/Schublade richtig schließt.
Das Gerät macht anormale Geräusche.	Das Gerät steht nicht auf einem ebenen Untergrund.	Die Füße entsprechend einstellen, um das Gerät zu nivellieren.
	Das Gerät berührt einige Gegenstände um es herum.	Die Gegenstände um das Gerät herum entfernen.
Es ist ein leichtes Geräusch zu hören, ähnlich wie dem von fließendem Wasser.	Das ist normal.	/
Sie hören einen Signalton.	Die Kühlschranktür ist offen.	Die Tür oder schließen oder den Alarm manuell ausschalten.
Ein leises Summen ist zu hören.	Das Antikondensationssystem arbeitet.	Dies verhindert Kondensation und ist normal.
Die Innenbeleuchtung oder das Kühlsystem funktioniert nicht.	Der Netzstecker ist nicht an die Steckdose angeschlossen.	Den Netzstecker anschließen.
	Die Stromversorgung ist nicht intakt.	Die Stromversorgung des Raums überprüfen. Den örtlichen Stromversorger anrufen!
	Die LED-Leuchte ist defekt.	Den Kundenservice kontaktieren, um die Leuchte auszutauschen.
Die Seitenwände des Geräts und die Türleiste werden warm.	Das ist normal.	/
Es kommt kein Wasser aus dem Auslauf des Wasserspenders.	Die Sperre ist nicht deaktiviert.	Die Sperre deaktivieren.



Stromunterbrechung

- ▶ Bei Stromausfall sollten die gelagerten Lebensmittel noch 13 Stunden lang kalt bleiben. Beachten Sie diese Tipps bei einer längeren Stromunterbrechung, insbesondere im Sommer.
- ▶ Öffnen Sie die Tür/Schublade so selten wie möglich.
- ▶ Legen Sie während eines Stromausfalls keine weiteren Lebensmittel in das Gerät.
- ▶ Wenn der Stromausfall vorher angekündigt wurde und die Unterbrechungsdauer länger als 13 Stunden ist, frieren Sie im Voraus ein paar Eiswürfel oder Kühlakkus ein, und legen Sie diese beim Stromausfall oben in das Kühlfach.
- ▶ Prüfen Sie nach dem Stromausfall direkt, ob die Lebensmittel verdorben sind.
- ▶ Da die Temperatur im Kühlschrank während einer Stromunterbrechung oder eines anderen Fehlers ansteigt, werden die Haltbarkeit und die Qualität der Lebensmittel reduziert. Aufgetaute Lebensmittel sollten entweder verzehrt oder gekocht und (sofern geeignet) gleich danach wieder eingefroren werden, um Gesundheitsrisiken zu vermeiden.



HINWEIS

Speicherfunktion bei Stromunterbrechung

Nach Wiederherstellung der Stromversorgung fährt das Gerät mit den Einstellungen fort, die vor dem Stromausfall eingestellt waren.

Um den technischen Kundendienst zu kontaktieren, besuchen Sie unsere Website:
<https://corporate.haier-eu-rope.com/en/>

Wählen Sie im Abschnitt „Website“ die Marke Ihres Produkts und Ihr Land aus.

Sie werden auf die entsprechende Website weitergeleitet, auf der Sie die Telefonnummer und andere Möglichkeiten der Kontaktaufnahme mit dem technischen Kundendienst finden.

Auspacken



WARNUNG!

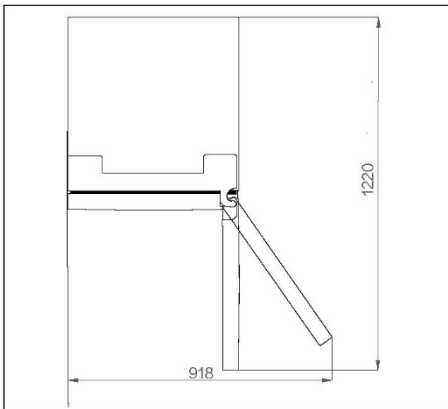
- ▶ Das Gerät ist schwer. Transportieren oder bewegen Sie es immer mit mindestens zwei Personen.
- ▶ Bewahren Sie sämtliche Verpackungsmaterialien außerhalb der Reichweite von Kindern auf und entsorgen Sie sie umweltfreundlich.
- ▶ Nehmen Sie das Gerät aus der Verpackung.
- ▶ Entfernen Sie alle Verpackungsmaterialien.

Umgebungsbedingungen

Die Raumtemperatur sollte immer zwischen 10° C und 43° C liegen, da sie die Temperatur im Inneren des Geräts und dessen Energieverbrauch beeinflussen kann. Installieren Sie das Gerät nicht in der Nähe anderer wärmeemittierender Geräte (Ofen, Kühlschränke).

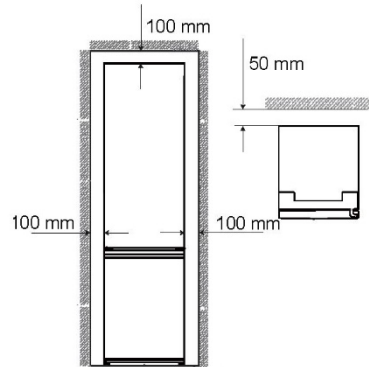
Platzbedarf

Erforderlicher Abstand bei geöffneter Tür.



Platzbedarf für eine ausreichende Belüftung

Damit eine ausreichende Belüftung des Geräts gewährleistet wird, dürfen die Hinweise zum ausreichenden Platzbedarf aus Sicherheitsgründen nicht missachtet werden.

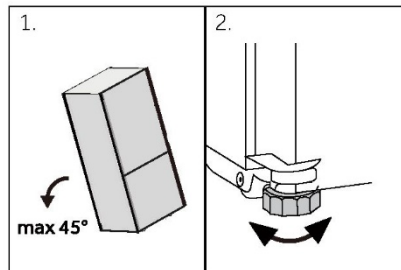


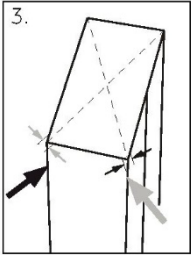
Geräteausrichtung

Das Gerät sollte auf einer flachen und festen Oberfläche aufgestellt werden.

1. Kippen Sie den Kühlschrank leicht nach hinten.
2. Die Stellfüße auf die gewünschte Höhe justieren.

Stellen Sie sicher, dass der Abstand zur Wand auf der Scharnierseite mindestens 100 mm beträgt, damit sich die Tür richtig öffnen lässt.

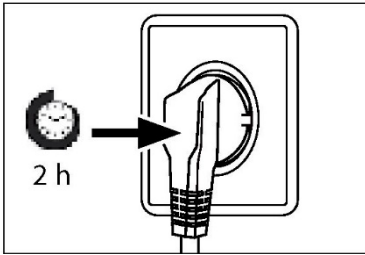




1. Die Stabilität kann durch abwechselndes Anschlagen gegen die Diagonalen überprüft werden. Das leichte Schwanken sollte in beide Richtungen gleich sein. Anderenfalls kann sich der Rahmen verziehen; mögliche undichte Türdichtungen sind die Folge. Eine geringe Neigung nach hinten erleichtert das Schließen der Türen.

i HINWEIS

Für ein frei stehendes Gerät: Dieses Kühlgerät ist nicht zur Verwendung als Einbaugerät bestimmt.



Wartezeit

Das wartungsfreie Schmieröl befindet sich in der Kapsel des Kompressors. Dieses Öl kann beim Transport durch das geschlossene Rohrsystem gelangen, wenn das Gerät gekippt wird. Warten Sie mindestens 2 Stunden, bevor Sie das Gerät an die Stromversorgung anschließen, damit das Öl wieder in die Kapsel zurückfließt.

Elektrischer Anschluss

Stellen Sie vor jedem Anschluss sicher, dass:

- ▶ die Stromversorgung, Steckdose und Sicherung den Angaben auf dem Typenschild entsprechen.
- ▶ die Steckdose geerdet ist und kein Mehrfachstecker oder Verlängerungskabel vorhanden ist.
- ▶ der Netzstecker und die Steckdose richtig zusammenpassen.

Schließen Sie den Stecker an eine ordnungsgemäß installierte Haushaltssteckdose an.



WARNUNG!

Um Gefahren zu vermeiden, muss ein beschädigtes Netzkabel vom Kundenservice ausgetauscht werden (siehe Garantiekarte).



Umkehrbarkeit der Tür

Bevor Sie das Gerät an die Stromversorgung anschließen, sollten Sie prüfen, ob der Türanschlag von rechts (nach der Lieferung) nach links gewechselt werden muss, wenn der Installationsort und die Nutzbarkeit dies erfordern.



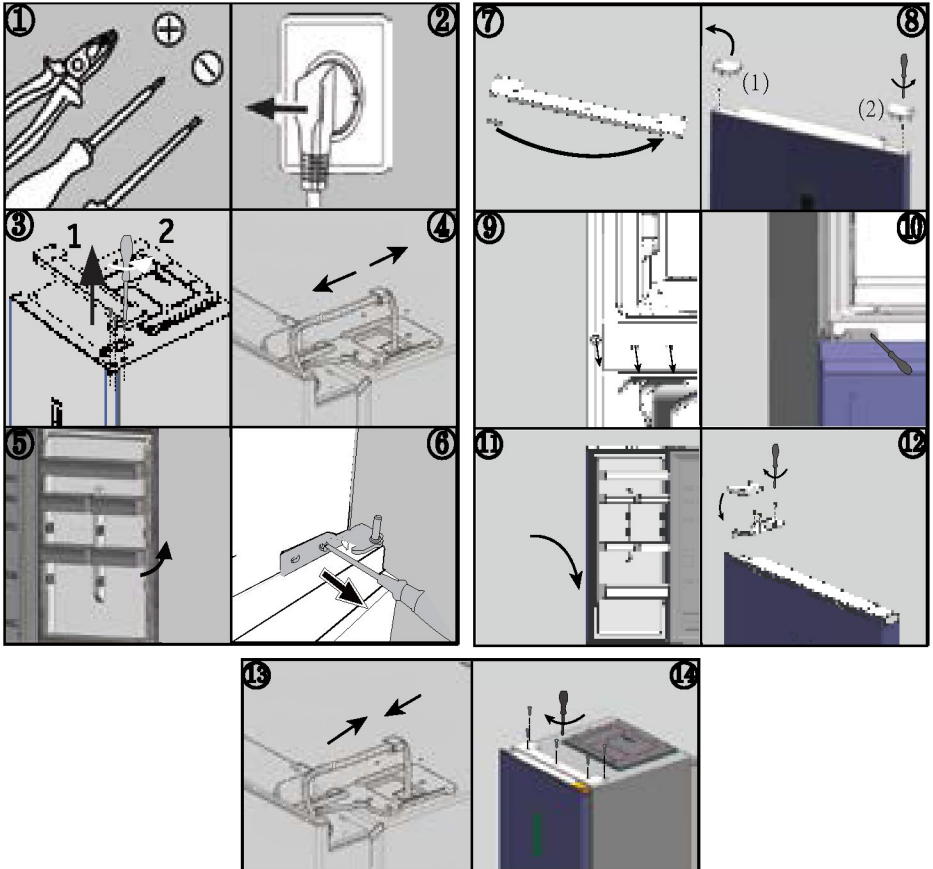
WARNUNG!

- ▶ Das Gerät ist schwer. Sie benötigen zwei Personen, um die Umkehrbarkeit der Tür zu ändern.
- ▶ Vor dem Eingriff müssen Sie zuerst den Gerätestecker aus der Steckdose ziehen.
- ▶ Das Gerät nicht um mehr als 45 ° kippen, um Schäden am Kühlsystem zu vermeiden.

Montageschritte

1. Halten Sie das benötigte Werkzeug bereit.
2. Ziehen Sie den Netzstecker des Geräts.
3. Entfernen Sie die obere Scharnierabdeckung 1 und schrauben Sie das obere Scharnier (drei Schrauben) auf der rechten Seite 2 ab.
4. Ziehen Sie das Anschlusskabel ab.
5. Heben Sie die lose Kühlschranktür vorsichtig aus dem mittleren Scharnier.
6. Entfernen Sie das mittlere Scharnier.
7. Setzen Sie die kleine Abdeckung der Frontblende von links nach rechts.
8. Drehen Sie die Tür auf den Kopf und schrauben Sie die Abdeckung (1) ab. Nehmen Sie die neue Abdeckung (2) aus dem mitgelieferten Beutel und schrauben Sie sie auf der gegenüberliegenden Seite fest.
9. Ändern Sie die Positionen der Blindstopfen und der Schraube an der Seite.
10. Schrauben Sie das mittlere Scharnier an der linken Seite des Geräts fest. Achten Sie darauf, den Drehpunkt des mittleren Scharniers umzudrehen, um sicherzustellen, dass die Seite mit der Dichtung nach oben zeigt.
11. Heben Sie die obere Tür vorsichtig am mittleren Scharnier an. Achten Sie darauf, dass der Zapfen in den Scharnierzylinder der unteren Tür passt.
12. Nehmen Sie das neue obere Scharnier und die Scharnierabdeckung aus der Zubehörtasche. Führen Sie das Anschlusskabel durch das obere Scharnier und befestigen Sie das obere Scharnier mit den drei Schrauben auf der linken Seite des Geräts. Setzen Sie dann die Scharnierabdeckung auf.
13. Stecken Sie das Anschlusskabel ein.
14. Setzen Sie die vordere Abdeckung wieder auf und befestigen Sie sie mit fünf Schrauben.

Prüfen Sie nach dem Austausch der Tür, ob die Türdichtungen richtig am Gehäuse sitzen und alle Schrauben gut angezogen sind.



Umgebungstemperaturen

Subnormal: Dieses Kühlgerät ist für die Verwendung bei einer Umgebungstemperatur zwischen 10 °C und 32 °C ausgelegt.

Normal: Dieses Kühlgerät ist für die Verwendung bei einer Umgebungstemperatur zwischen 16 °C und 32 °C ausgelegt.

Subtropisch: Dieses Kühlgerät ist für die Verwendung bei einer Umgebungstemperatur zwischen 16 °C und 38 °C ausgelegt.

Tropisch: Dieses Kühlgerät ist für die Verwendung bei einer Umgebungstemperatur zwischen 16 °C und 43 °C ausgelegt.



Produktparameter gemäß der Verordnung (EU) 2019/2016

Basierend auf Standard-Testergebnissen für 24 Stunden. Der tatsächliche Energieverbrauch hängt davon ab, wie das Gerät verwendet wird und wo es steht.

Modell	HTW5618DN*	HTW5620DN*	HTW5618EN*
Typ des Kühlgeräts	Kühl-Gefrierkombination	Kühl-Gefrierkombination	Kühl-Gefrierkombination
Energieeffizienzklasse	D	D	E
Jährlicher Energieverbrauch (kWh/Jahr)	217	226	271
Volumen Kühlfach (L)	201	255	201
Volumen Gefrierfach (L)	125	125	125
Volumen Kühlfach (L)	34	34	34
Klasse des Gefrierschranks	4-Sterne	4-Sterne	4-Sterne
Art der Abtauung	Automatisches Abtauen	Automatisches Abtauen	Automatisches Abtauen
Temperaturanstiegszeit (h)	13	13	11
Gefrierleistung (kg/24h)	10,0	10,0	10,0
Klimaklasse	SN.N.ST.T	SN.N.ST.T	SN.N.ST.T
Geräuschemissionsklasse und Luftschallemissionen (db(A) re 1pW)	B (35)	B (35)	B (35)



Modell	HTW5618CN*	HTW5620CN*	HTW5620EN*
Typ des Kühlgeräts	Kühl-Gefrierkombination	Kühl-Gefrierkombination	Kühl-Gefrierkombination
Energieeffizienzklasse	C	C	E
Jährlicher Energieverbrauch (kWh/Jahr)	173	181	283
Volumen Kühlfach (L)	201	255	255
Volumen Gefrierfach (L)	125	125	125
Volumen Kühlfach (L)	34	34	34
Klasse des Gefrierschranks	4-Sterne	4-Sterne	4-Sterne
Art der Abtauung	Automatisches Abtauen	Automatisches Abtauen	Automatisches Abtauen
Temperaturanstiegszeit (h)	13	13	11
Gefrierleistung (kg/24h)	10,0	10,0	10,0
Klimaklasse	SN.N.ST.T	SN.N.ST.T	SN.N.ST.T
Geräuschemissionsklasse und Luftschallemissionen (db(A) re 1pW)	B (35)	B (35)	B (35)



Modell	HDPW5618DN*	HDPW5620DN* HDPW3620DN*	HTW7620CN*
Typ des Kühlgeräts	Kühl-Gefrierkombination	Kühl-Gefrierkombination	Kühl-Gefrierkombination
Energieeffizienzklasse	D	D	C
Jährlicher Energieverbrauch (kWh/Jahr)	214	220	181
Volumen Kühlfach (L)	201	255	255
Volumen Gefrierfach (L)	117	117	125
Volumen Kühlfach (L)	34	34	34
Klasse des Gefrierschranks	4-Sterne	4-Sterne	4-Sterne
Art der Abtaugung	Automatisches Abtauen	Automatisches Abtauen	Automatisches Abtauen
Temperaturanstiegszeit (h)	13	13	13
Gefrierleistung (kg/24h)	10,0	10,0	10,0
Klimaklasse	SN.N.ST.T	SN.N.ST.T	SN.N.ST.T
Geräuschemissionsklasse und Luftschallemissionen (db(A) re 1pW)	B (35)	B (35)	B (35)



Modell	HDPW3618DN*	HDPW3620CN*	HTW3620DN*
Typ des Kühlgeräts	Kühl-Gefrierkombination	Kühl-Gefrierkombination	Kühl-Gefrierkombination
Energieeffizienzklasse	D	C	D
Jährlicher Energieverbrauch (kWh/Jahr)	214	176	226
Volumen Kühlfach (L)	201	255	255
Volumen Gefrierfach (L)	117	117	125
Volumen Kühlfach (L)	34	34	34
Klasse des Gefrierschranks	4-Sterne	4-Sterne	4-Sterne
Art der Abtauung	Automatisches Abtauen	Automatisches Abtauen	Automatisches Abtauen
Temperaturanstiegszeit (h)	13	13	13
Gefrierleistung (kg/24h)	10,0	10,0	10,0
Klimaklasse	SN.N.ST.T	SN.N.ST.T	SN.N.ST.T
Geräuschemissionsklasse und Luftschallemissionen (db(A) re 1pW)	B (35)	B (35)	B (35)



Modell	HDPW5618CN*	HDPW5620CN*	HDPW5620AN* HDPW7620AN*
Typ des Kühlgeräts	Kühl-Gefrierkombination	Kühl-Gefrierkombination	Kühl-Gefrierkombination
Energieeffizienzklasse	C	C	A
Jährlicher Energieverbrauch (kWh/Jahr)	171	176	114
Volumen Kühlfach (L)	201	255	255
Volumen Gefrierfach (L)	117	117	120
Volumen Kühlfach (L)	34	34	34
Klasse des Gefrierschranks	4-Sterne	4-Sterne	4-Sterne
Art der Abtaugung	Automatisches Abtauen	Automatisches Abtauen	Automatisches Abtauen
Temperaturanstiegszeit (h)	13	13	16
Gefrierleistung (kg/24h)	10,0	10,0	10,0
Klimaklasse	SN.N.ST.T	SN.N.ST.T	SN.N.ST.T
Geräuschemissionsklasse und Luftschallemissionen (db(A) re 1pW)	B (35)	B (35)	B (35)



Modell	HDPW5620BN*	HTW7620DN*	HDPW7620AAN*
Typ des Kühlgeräts	Kühl-Gefrierkombination	Kühl-Gefrierkombination	Kühl-Gefrierkombination
Energieeffizienzklasse	B	D	A
Jährlicher Energieverbrauch (kWh/Jahr)	142	226	92
Volumen Kühlfach (L)	255	255	255
Volumen Gefrierfach (L)	120	125	120
Volumen Kühlfach (L)	34	34	34
Klasse des Gefrierschranks	4-Sterne	4-Sterne	4-Sterne
Art der Abtauung	Automatisches Abtauen	Automatisches Abtauen	Automatisches Abtauen
Temperaturanstiegszeit (h)	13	13	16
Gefrierleistung (kg/24h)	10,0	10,0	12,0
Klimaklasse	SN.N.ST.T	SN.N.ST.T	SN.N.ST.T
Geräuschemissionsklasse und Luftschallemissionen (db(A) re 1pW)	B (35)	B (35)	B (35)



Modell	HTW5618DW*		
Typ des Kühlgeräts	Kühl-Gefrierkombination		
Energieeffizienzklasse	D		
Jährlicher Energieverbrauch (kWh/Jahr)	216		
Volumen Kühlfach (L)	198		
Volumen Gefrierfach (L)	125		
Volumen Kühlfach (L)	34		
Klasse des Gefrierschranks	4-Sterne		
Art der Abtaugung	Automatisches Abtauen		
Temperaturanstiegszeit (h)	13		
Gefrierleistung (kg/24h)	10,0		
Klimaklasse	SN.N.ST.T		
Geräuschemissionsklasse und Luftschallemissionen (db(A) re 1pW)	B (35)		



Zusätzliche technische Daten

Modell	HTW5618DN*	HTW5618EN*	HTW5620DN*
Gesamtvolumen (L)	360	360	414
Spannung/ Frequenz	220-240 V/50 Hz	220-240 V/50 Hz	220-240 V/50 Hz
Eingangsstrom (A)	1,4	1,4	1,4
Hauptsicherung (A)	16	16	16
Kältemittel	R600a(53 g)	R600a(53 g)	R600a(53 g)
Abmessungen (B/T/H in mm)	595*667*1850	595*667*1850	595*667*2050

Modell	HTW5618CN*	HTW5620CN*	HTW5620EN*
Gesamtvolumen (L)	360	414	414
Spannung/ Frequenz	220-240 V/50 Hz	220-240 V/50 Hz	220-240 V/50 Hz
Eingangsstrom (A)	1,4	1,4	1,4
Hauptsicherung (A)	15	15	16
Kältemittel	R600a(50g)	R600a(50g)	R600a(53 g)
Abmessungen (B/T/H in mm)	595*667*1850	595*667*2050	595*667*2050



Modell	HDPW5618DN*	HDPW5620DN*	HDPW3620DN*
Gesamtvolumen (L)	352	406	406
Spannung/ Frequenz	220-240 V/50 Hz	220-240 V/50 Hz	220-240 V/50 Hz
Eingangsstrom (A)	1,4	1,4	1,4
Hauptsicherung (A)	16	16	16
Kältemittel	R600a(53 g)	R600a(53 g)	R600a(53 g)
Abmessungen (B/T/H in mm)	595*667*1850	595*667*2050	595*667*2050

Modell	HDPW5618CN*	HDPW5620CN*	HDPW5620AN*
Gesamtvolumen (L)	352	406	409
Spannung/ Frequenz	220-240 V/50 Hz	220-240 V/50 Hz	220-240 V/50 Hz
Eingangsstrom (A)	1,4	1,4	1,4
Hauptsicherung (A)	15	15	16
Kältemittel	R600a(50g)	R600a(50g)	R600a(50g)
Abmessungen (B/T/H in mm)	595*667*1850	595*667*2050	595*667*2050



Zusätzliche technische Daten

Modell	HDPW3618DN*	HDPW3620CN*	HTW3620DN*
Gesamtvolumen (L)	352	406	414
Spannung/ Frequenz	220-240 V/50 Hz	220-240 V/50 Hz	220-240 V/50 Hz
Eingangsstrom (A)	1,4	1,4	1,4
Hauptsicherung (A)	16	15	16
Kältemittel	R600a(53 g)	R600a(50g)	R600a(53 g)
Abmessungen (B/T/H in mm)	595*667*1850	595*667*2050	595*667*2050

Modell	HDPW7620AAAN*	HDPW5620BN*	HDPW7620AN*
Gesamtvolumen (L)	409	409	409
Spannung/ Frequenz	220-240 V/50 Hz	220-240 V/50 Hz	220-240 V/50 Hz
Eingangsstrom (A)	1,4	1,4	1,4
Hauptsicherung (A)	16	16	16
Kältemittel	R600a(55g)	R600a(50g)	R600a(50g)
Abmessungen (B/T/H in mm)	595*667*2050	595*667*2050	595*667*2050



Zusätzliche technische Daten

Modell	HTW7620DN*	HTW7620CN*	HTW5618DW*
Gesamtvolumen (L)	414	414	357
Spannung/ Frequenz	220-240 V/50 Hz	220-240 V/50 Hz	220-240 V/50 Hz
Eingangsstrom (A)	1,4	1,4	1,4
Hauptsicherung (A)	16	15	16
Kältemittel	R600a(53 g)	R600a(50g)	R600a(53 g)
Abmessungen (B/T/H in mm)	595*667*2050	595*667*2050	595*667*1850



Wir empfehlen unseren Haier-Kundenservice und die Verwendung von Original-Ersatzteilen.

Wenn Sie Probleme mit dem Gerät haben, lesen Sie bitte zuerst den Abschnitt „FEHLERBEHEBUNG“.

Wenn Sie dort keine Lösung finden, wenden Sie sich bitte an

- ▶ Ihren Händler vor Ort oder
- ▶ an unser Europäisches Call-Service-Center (siehe unten aufgeführte Telefonnummern) oder
- ▶ an den Service und Support unter www.haier.com, wo Sie den Service aktivieren können.
- ▶ Hier finden Sie auch die FAQs.

Um unseren Kundendienst zu kontaktieren, stellen Sie sicher, dass Sie die nachfolgend aufgeführten Daten zur Hand haben.

Die Informationen finden Sie auf dem Typenschild.

Modell _____

Seriennummer _____

Prüfen Sie im Garantiefall auch die mit dem Produkt mitgelieferte Garantiekarte.

Europäisches Call-Service-Center		
Land*	Telefonnummer	Kosten
Haier Italy (IT)	199 100 912	
Haier Spain (ES)	902 509 123	
Haier Germany (DE)	0180 5 39 39 99	<ul style="list-style-type: none"> • 14 Ct/min Festnetz • max. 42 Ct/min Mobil
Haier Austria (AT)	0820 001 205	<ul style="list-style-type: none"> • 14,53 Ct/min Festnetz • max. 20 Ct/min alle anderen
Haier United Kingdom (UK)	0333 003 8122	
Haier France (FR)	0980 406 409	



* Weitere Informationen finden Sie unter www.haier.com
Haier Europe Trading S.r.l
Niederlassung UK
Westgate House, Westgate, Ealing
London, W5 1YY

*Gewährleistungsdauer des Kühlgeräts:

Die Mindestgarantie beträgt: 2 Jahre für EU-Länder, 3 Jahre für die Türkei, 1 Jahr für Großbritannien, 1 Jahr für Russland, 3 Jahre für Schweden, 2 Jahre für Serbien, 5 Jahre für Norwegen, 1 Jahr für Marokko, 6 Monate für Algerien, Tunesien keine gesetzliche Gewährleistung erforderlich.

*Der Zeitraum für die Beschaffung von Ersatzteilen für die Reparatur des Geräts: Thermostate, Temperatursensoren, Leiterplatten und Leuchtmittel sind für einen Zeitraum von mindestens sieben Jahren nach Inverkehrbringen des letzten Gerätes des Modells erhältlich.

Türgriffe, Türscharniere, Auszüge und Schubladen für eine Mindestdauer von sieben Jahren und Türdichtungen für eine Mindestdauer von 10 Jahren, nachdem das letzte Gerät des Modells in Verkehr gebracht wurde.

*Weitere Informationen zum Produkt finden Sie entweder unter <https://eprel.ec.europa.eu/> oder Sie scannen den QR-Code auf dem Energielabel, das dem Gerät beiliegt.

5 Πληροφορίες ασφαλείας

Πριν από την πρώτη χρήση 6

Εγκατάσταση 6

Καθημερινή χρήση 7

10 Προβλεπόμενη χρήση**11 Περιγραφή προϊόντος****22 Πίνακας ελέγχου****23 Χρήση**

Ρύθμιση θερμοκρασίας του ψυγείου 24

Ρύθμιση θερμοκρασίας του καταψύκτη 24

Ρύθμιση θερμοκρασίας My Zone 24

Λειτουργία Super Cool 25

Λειτουργία Super Freeze 26

31 Εξοπλισμός**35 Συμβουλές εξοικονόμησης ενέργειας****36 Φροντίδα και καθαρισμός****39 Αντιμετώπιση προβλημάτων****43 Εγκατάσταση****47 Τεχνικά δεδομένα****58 Εξυπηρέτηση πελατών**

Κάντε κλικ στα περιεχόμενα για να δείτε λεπτομερείς πληροφορίες.

Ευχαριστούμε που αγοράσατε ένα προϊόν Haier.

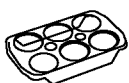
Παρακαλούμε διαβάστε προσεκτικά αυτές τις οδηγίες πριν από την χρήση αυτής της συσκευής. Οι οδηγίες περιέχουν σημαντικές πληροφορίες που θα σας βοηθήσουν να αξιοποιήσετε στο έπακρο τη συσκευή και να εξασφαλίσετε την ασφάλη και σωστή εγκατάσταση, χρήση και συντήρηση.

Φυλάξτε αυτό το εγχειρίδιο σε μια προσβάσιμη θέση, ώστε να μπορείτε πάντα να ανατρέξετε σε αυτό για την ασφαλή και σωστή χρήση της συσκευής.

Εάν πουλήσετε τη συσκευή, την χαρίσετε ή την αφήσετε πίσω όταν μετακομίσετε από το σπίτι, βεβαιωθείτε ότι έχετε αφήσει επίσης και αυτό το εγχειρίδιο, ώστε ο νέος ιδιοκτήτης να εξοικειωθεί με τη συσκευή και τις προειδοποιήσεις ασφαλείας.

Εξαρτήματα

Ελέγξτε τα εξαρτήματα και τη βιβλιογραφία σύμφωνα με αυτόν τον κατάλογο:



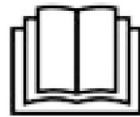
Αυγοθήκη



Ενεργειακή
ετικέτα



Κάρτα
εγγύησης



Εγχειρίδιο χρήσης



Δίσκος για παγάκια



Μεντεσέδες
πόρτας



Κάλυμμα
μεντεσέ



Ένθετο καπακιού

**ΠΡΟΕΙΔΟΠΟΙΗΣΗ – Σημαντικές πληροφορίες ασφαλείας****ΣΗΜΕΙΩΣΗ-Γενικές πληροφορίες και συμβουλές****Περιβαλλοντικές πληροφορίες****Απόρριψη**

Βοήθεια και συμβολή στην προστασία του περιβάλλοντος και της ανθρώπινης υγείας. Τοποθετήστε τη συσκευασία σε κατάλληλα δοχεία για την ανακύκλωση της. Συμβολή στην ανακύκλωση των αποβλήτων ηλεκτρικών και ηλεκτρονικών συσκευών. Συσκευές που φέρουν αυτό το σύμβολο μην τις απορρίπτετε μαζί με τα οικιακά απορρίμματα. Επιστρέψτε το προϊόν στην τοπική μονάδα ανακύκλωσης ή επικοινωνήστε με το αρμόδιο δημοτικό γραφείο του Δήμου σας.

**ΠΡΟΕΙΔΟΠΟΙΗΣΗ!**

Κίνδυνος τραυματισμού ή ασφυξίας!

Τα ψυκτικά μέσα και τα αέρια πρέπει να απορρίπτονται επαγγελματικά. Βεβαιωθείτε ότι η σωλήνωση του κυκλώματος ψυκτικού δεν έχει υποστεί ζημιά πριν απορριφθεί σωστά. Αποσυνδέστε τη συσκευή από την πρίζα παροχής ρεύματος. Κόψτε το καλώδιο τροφοδοσίας και απορρίψτε το. Αφαιρέστε τους δίσκους και τα συρτάρια, καθώς και τα αλιεύματα και τις σφραγίδες της πόρτας, για να αποτρέψετε τα παιδιά και τα κατοικίδια ζώα να κλείσουν στη συσκευή.



Διαβάστε τις παρακάτω υποδείξεις ασφαλείας πριν ενεργοποιήσετε τη συσκευή για πρώτη φορά!:



ΠΡΟΕΙΔΟΠΟΙΗΣΗ!

Πριν από την πρώτη χρήση

- ▶ Βεβαιωθείτε ότι δεν υπάρχει ζημιά εξαιτίας της μεταφοράς.
- ▶ Αφαιρέστε όλες τις συσκευασίες και κρατήστε τις μακριά από τα παιδιά.
- ▶ Περιμένετε τουλάχιστον δύο ώρες πριν τοποθετήσετε τη συσκευή για να βεβαιωθείτε ότι το κύκλωμα του ψυκτικού είναι πλήρως αποτελεσματικό.
- ▶ Χειριστείτε τη συσκευή πάντοτε με δύο άτομα τουλάχιστον, διότι είναι βαριά.

Εγκατάσταση

- ▶ Η συσκευή πρέπει να τοποθετηθεί σε καλά αεριζόμενο μέρος. Βεβαιωθείτε ότι υπάρχει χώρος τουλάχιστον 10 εκατοστών πάνω και γύρω από τη συσκευή.
- ▶ Μην τοποθετείτε ποτέ τη συσκευή σε υγρή περιοχή ή θέση όπου μπορεί να πιτσιλιστεί ή βραχεί με νερό. Καθαρίστε και ξύστε τις ξεραμένες πιτσιλιές νερού και λεκέδες με ένα μαλακό καθαρό πανί.
- ▶ Μην εγκαθιστάτε τη συσκευή σε σημείο με άμεσο ηλιακό φως ή κοντά σε πηγές θερμότητας (π.χ. σόμπες, θερμαντήρες).
- ▶ Εγκαταστήστε και τοποθετήστε τη συσκευή σε μια περιοχή κατάλληλη για το μέγεθος και τη χρήση της.
- ▶ Διατηρείτε τα ανοίγματα εξαερισμού στη συσκευή ή την ενσωματωμένη δομή ελεύθερα εμποδίων.
- ▶ Βεβαιωθείτε ότι οι ηλεκτρολογικές πληροφορίες στην πινακίδα τύπου συμφωνούν με την αντίστοιχη παροχή ρεύματος. Εάν όχι, επικοινωνήστε με έναν ηλεκτρολόγο.
- ▶ Η συσκευή λειτουργεί με τροφοδοσία 220-240 VAC / 50 Hz. Η μη φυσιολογική διακύμανση της τάσης μπορεί να προκαλέσει την αποτυχία εκκίνησης της συσκευής ή ζημιά στον έλεγχο θερμοκρασίας ή τον συμπιεστή ή μπορεί να υπάρχει ανώμαλος θόρυβος κατά τη λειτουργία. Στην περίπτωση αυτή, πρέπει να τοποθετηθεί ένας αυτόματος ρυθμιστής.
- ▶ Μη χρησιμοποιείτε προσαρμογείς πολλαπλών θέσεων (πολύπριζα) και καλώδια επέκτασης / πρόεκτασης.
- ▶ Μην τοποθετείτε πολλαπλές φορητές πρίζες ή φορητά τροφοδοτικά στο πίσω μέρος της συσκευής.
- ▶ Βεβαιωθείτε ότι το καλώδιο τροφοδοσίας δεν έχει παγιδευτεί από το ψυγείο. Μην πατάτε το καλώδιο τροφοδοσίας.



ΠΡΟΕΙΔΟΠΟΙΗΣΗ!

- ▶ Χρησιμοποιήστε μια ξεχωριστή γειωμένη πρίζα για την παροχή ηλεκτρικού ρεύματος, η οποία να είναι εύκολα προσβάσιμη. Αυτή η συσκευή πρέπει να είναι γειωμένη.

Μόνο για το Ηνωμένο Βασίλειο: Το καλώδιο τροφοδοσίας της συσκευής είναι εξοπλισμένο με βύσμα 3-καλωδίων (με γείωση) που ταυριάζει σε μια τυπική πρίζα 3-καλωδίων (πρίζα με γείωση). Ποτέ μην κόβετε ή αποσυναρμολογείτε τον τρίτο πείρο (γείωση). Μετά την εγκατάσταση της συσκευής, το βύσμα πρέπει να είναι άμεσα προσβάσιμο.

- ▶ Αποφύγετε την πρόκληση ζημιών στο κύκλωμα ψύξης.

Καθημερινή χρήση

- ▶ Η συσκευή αυτή μπορεί να χρησιμοποιηθεί από παιδιά ηλικίας 8 ετών και άνω και από άτομα με μειωμένες σωματικές, αισθητηριακές ή διανοητικές ικανότητες ή έλλειψη εμπειρίας και γνώσης, εφόσον βρίσκονται υπό εποπτεία ή εάν τους έχουν δοθεί σαφείς οδηγίες σχετικά με τη χρήση της συσκευής με ασφαλή τρόπο και έχουν κατανοήσει επακριβώς τους σχετικούς κινδύνους.
- ▶ Τα παιδιά ηλικίας 3 έως 8 ετών επιτρέπεται να τοποθετούν και να βγάξουν (αντικείμενα) από τις ψυκτικές συσκευές, αλλά δεν επιτρέπεται να τις καθαρίζουν ή να τις εγκαθιστούν.
- ▶ Κρατήστε μακριά τα παιδιά κάτω των 3 ετών από τη συσκευή, εκτός εάν επιβλέπονται συνεχώς.
- ▶ Τα παιδιά δεν επιτρέπεται να παίζουν με τη συσκευή.
- ▶ Εάν υπάρχει διαρροή ψυκτικού αερίου ή άλλου εύφλεκτου αερίου κοντά στη συσκευή, κλείστε τη βαλβίδα του αερίου που διαρρέει, ανοίξτε τις πόρτες και τα παράθυρα και μην αποσυνδέσετε ή συνδέσετε το καλώδιο τροφοδοσίας του ψυγείου ή οποιασδήποτε άλλης συσκευής.
- ▶ Σημειώστε ότι η συσκευή έχει ρυθμιστεί για λειτουργία σε συγκεκριμένο εύρος θερμοκρασίας περιβάλλοντος μεταξύ 10 και 43°C. Η συσκευή ενδέχεται να μη λειτουργεί σωστά εάν αφεθεί για μεγάλο χρονικό διάστημα σε θερμοκρασία υψηλότερη ή χαμηλότερη από το υποδεικνυόμενο εύρος τιμών.
- ▶ Μην τοποθετείτε ασταθή αντικείμενα (βαριά αντικείμενα, δοχεία γεμάτα με νερό) στο πάνω μέρος του ψυγείου, για να αποφύγετε τραυματισμούς από πτώση ή ηλεκτροπληξία από επαφή με νερό.
- ▶ Μην τραβάτε τα ράφια των θυρών της πόρτας. Η πόρτα μπορεί να βγει από τη θέση της, η σχάρα για τα μπουκάλια μπορεί να τραβηχτεί μακριά ή η συσκευή μπορεί να ανατραπεί.
- ▶ Ανοίγετε και κλείνετε την πόρτα μόνο από τις λαβές. Το κενό ανάμεσα στις πόρτες και ανάμεσα στις πόρτες και το ντουλάπι είναι πολύ στενό. Μην βάζετε τα χέρια σας σε αυτές τις περιοχές για να αποφύγετε να πιαστούν (μαγκωθούν) τα δάκτυλά σας. Ανοίξτε ή κλείστε τις πόρτες ψυγείου μόνο όταν δεν υπάρχουν παιδιά που να στέκονται εντός του εύρους κίνησης της πόρτας.



ΠΡΟΕΙΔΟΠΟΙΗΣΗ!

- ▶ Μην αποθηκεύετε και μην χρησιμοποιείτε εύφλεκτα, εκρηκτικά ή διαβρωτικά υλικά εντός ή εγγύς της συσκευής.
- ▶ Μην αποθηκεύετε φάρμακα, βακτήρια ή χημικούς παράγοντες στη συσκευή. Αυτή η συσκευή είναι μια οικιακή συσκευή. Δεν συνιστάται η αποθήκευση υλικών που απαιτούν αυστηρές θερμοκρασίες.
- ▶ Ποτέ μην αποθηκεύετε υγρά σε φιάλες ή δοχεία (πέραν των αλκοολούχων υψηλού βαθμού) και ιδιαίτερα ανθρακούχα αναψυκτικά στον καταψύκτη καθώς θα διαρραγούν κατά την ψύξη.
- ▶ Ελέγξτε την κατάσταση των τροφίμων εάν έχουν προηγηθεί συνθήκες θέρμανσης στον καταψύκτη.
- ▶ Μην ορίσετε άσκοπα χαμηλή θερμοκρασία στον θάλαμο του ψυγείου. Οι αρνητικές θερμοκρασίες μπορεί να εμφανιστούν σε υψηλές ρυθμίσεις. Προσοχή: Τα μπουκάλια μπορούν να σκάσουν
- ▶ Μην αγγίζετε κατεψυγμένα προϊόντα με βρεγμένα χέρια (φοράτε γάντια). Ειδικά μην πιείτε (τρώτε) γρανίτες αμέσως μετά την αφαίρεση από τον θάλαμο κατάψυξης. Υπάρχει ο κίνδυνος κατάψυξης ή σχηματισμός φουσκάλων παγετού. ΠΡΩΤΕΣ βοήθειες: κρατήστε αμέσως κάτω από τρεχούμενο κρύο νερό. Μην τις τραβάτε μακριά!
- ▶ Μην αγγίζετε την εσωτερική επιφάνεια του χώρου αποθήκευσης του καταψύκτη όταν λειτουργείτε, ειδικά με βρεγμένα χέρια, καθώς τα χέρια σας μπορεί να παγώσουν στην επιφάνεια.
- ▶ Αποσυνδέστε τη συσκευή από την πρίζα σε περίπτωση διακοπής ρεύματος ή πριν από τον καθαρισμό. Αφήστε τουλάχιστον 7 λεπτά πριν από την επανεκκίνηση της συσκευής, καθώς η συχνή εκκίνηση μπορεί να προκαλέσει ζημιά στον συμπιεστή.
- ▶ Μη χρησιμοποιείτε ηλεκτρικές συσκευές στο εσωτερικό των θαλάμων αποθήκευσης τροφίμων της συσκευής, εκτός αν είναι συσκευές που συνιστά ο κατασκευαστής. Συντήρηση / καθαρισμός
- ▶ Βεβαιωθείτε ότι τα παιδιά επιβλέπονται εάν πραγματοποιούν καθαρισμό και συντήρηση.
- ▶ Αποσυνδέστε τη συσκευή από την ηλεκτρική τροφοδοσία πριν πραγματοποιήσετε οποιαδήποτε συντήρηση ρουτίνας. Αφήστε τουλάχιστον 5 λεπτά πριν από την επανεκκίνηση της συσκευής, καθώς η συχνή εκκίνηση μπορεί να προκαλέσει ζημιά στον συμπιεστή.



ΠΡΟΕΙΔΟΠΟΙΗΣΗ!

- ▶ Κρατήστε το φιλτράρισμα, όχι το καλώδιο, όταν αποσυνδέετε τη συσκευή.
- ▶ Μην καθαρίζετε τη συσκευή με σκληρές βούρτσες, συμμάτινες βούρτσες, σκόνη απορρυπαντικού, βενζίνη, οξικό αμύλιο, ακετόνη και παρόμοια οργανικά διαλύματα, όξινα ή αλκαλικά διαλύματα. Καθαρίστε με ειδικό απορρυπαντικό ψυγείου για να αποφύγετε ζημιές.
- ▶ Μην ξύσετε τον δροσοπάγο και τον πάγο με αιχμηρά αντικείμενα. Μη χρησιμοποιείτε σπρέι, ηλεκτρικούς θερμαντήρες όπως θερμαντήρα, στεγνωτήρα μαλλιών, ατμοκαθαριστές ή άλλες πηγές θερμότητας για να αποφύγετε ζημιές στα πλαστικά μέρη.
- ▶ Μην χρησιμοποιείτε μηχανικές συσκευές ή άλλα μέσα για να επιταχύνετε τη διαδικασία απόψυξης, παρά μόνο όσα συνιστώνται από τον κατασκευαστή.
- ▶ Αν το καλώδιο παροχής ρεύματος έχει φθαρεί πρέπει να αντικατασταθεί από τον κατασκευαστή ή τον αντιπρόσωπο του σέρβις ή παρόμοια εξουσιοδοτημένα πρόσωπα, προς αποφυγή του κινδύνου.
- ▶ Μην προσπαθήσετε να επισκευάσετε, να αποσυναρμολογήσετε ή να τροποποιήσετε τη συσκευή μόνοι σας. Σε περίπτωση επισκευής επικοινωνήστε με την εξυπηρέτηση πελατών μας.
- ▶ Εξαλείψτε τη σκόνη στο πίσω μέρος της μονάδας τουλάχιστον μία φορά το χρόνο για να αποφύγετε τον κίνδυνο από πυρκαγιά, καθώς και την αυξημένη κατανάλωση ενέργειας.
- ▶ Μην ψεκάζετε ή ξεπλένετε τη συσκευή κατά τον καθαρισμό.
- ▶ Μην χρησιμοποιείτε σπρέι νερού ή ατμό για να καθαρίσετε τη συσκευή.
- ▶ Μην καθαρίζετε τα κρύα γυάλινα ράφια με ζεστό νερό. Η απότομη αλλαγή θερμοκρασίας μπορεί να προκαλέσει το σπάσιμο του γυαλιού.

Πληροφορίες για τα ψυκτικά αέρια



ΠΡΟΕΙΔΟΠΟΙΗΣΗ!

Η συσκευή περιέχει το εύφλεκτο ψυκτικό μέσο ΙΣΟΒΟΥΤΑΝΙΟ (R600a). Βεβαιωθείτε ότι το κύκλωμα ψυκτικού δεν έχει υποστεί ζημιά κατά τη μεταφορά ή την εγκατάσταση. Η διαρροή ψυκτικού μπορεί να προκαλέσει τραυματισμούς στα μάτια ή ανάφλεξη. Εάν έχει προκληθεί ζημιά, κρατήστε το μακριά από ακάλυπτες πηγές φωτιάς, αερίστε καλά το δωμάτιο, μην συνδέσετε ή αποσυνδέσετε τα καλώδια τροφοδοσίας της συσκευής ή οποιασδήποτε άλλης συσκευής. Ενημερώστε την εξυπηρέτηση πελατών.

Σε περίπτωση που τα μάτια έρθουν σε επαφή με το ψυκτικό μέσο, ξεπλύνετε τα αμέσως κάτω από τρεχούμενο νερό και καλέστε αμέσως τον οφθαλμίατρο.



Προβλεπόμενη χρήση

Αυτή η συσκευή προορίζεται για ψύξη και κατάψυξη τροφίμων. Έχει σχεδιαστεί αποκλειστικά για χρήση σε οικιακές και παρόμοιες εφαρμογές, όπως χώρους κουζίνας προσωπικού σε καταστήματα, γραφεία και άλλα εργασιακά περιβάλλοντα- αγροικίες και από πελάτες σε ξενοδοχεία, μοτέλ και άλλα περιβάλλοντα οικιστικού τύπου, καθώς και σε ξενοδοχειακές επιχειρήσεις bed-and-breakfast και catering. Δεν προορίζεται για εμπορική ή βιομηχανική χρήση.

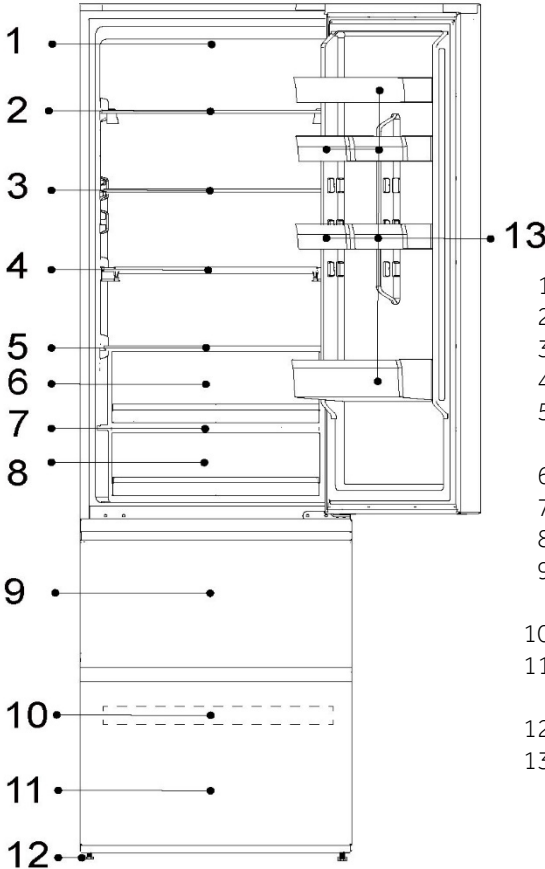
Δεν επιτρέπονται αλλαγές ή τροποποιήσεις στη συσκευή. Η μη προβλεπόμενη χρήση μπορεί να προκαλέσει κινδύνους και απώλεια αξιώσεων εγγύησης.

Πρότυπα και οδηγίες **CE**

Αυτό το προϊόν πληροί τις απαιτήσεις όλων των εφαρμοστέων οδηγιών της ΕΚ με τα αντίστοιχα εναρμονισμένα πρότυπα, τα οποία προβλέπονται για την σήμανση CE.

i ΕΙΔΟΠΟΪΗΣΗ

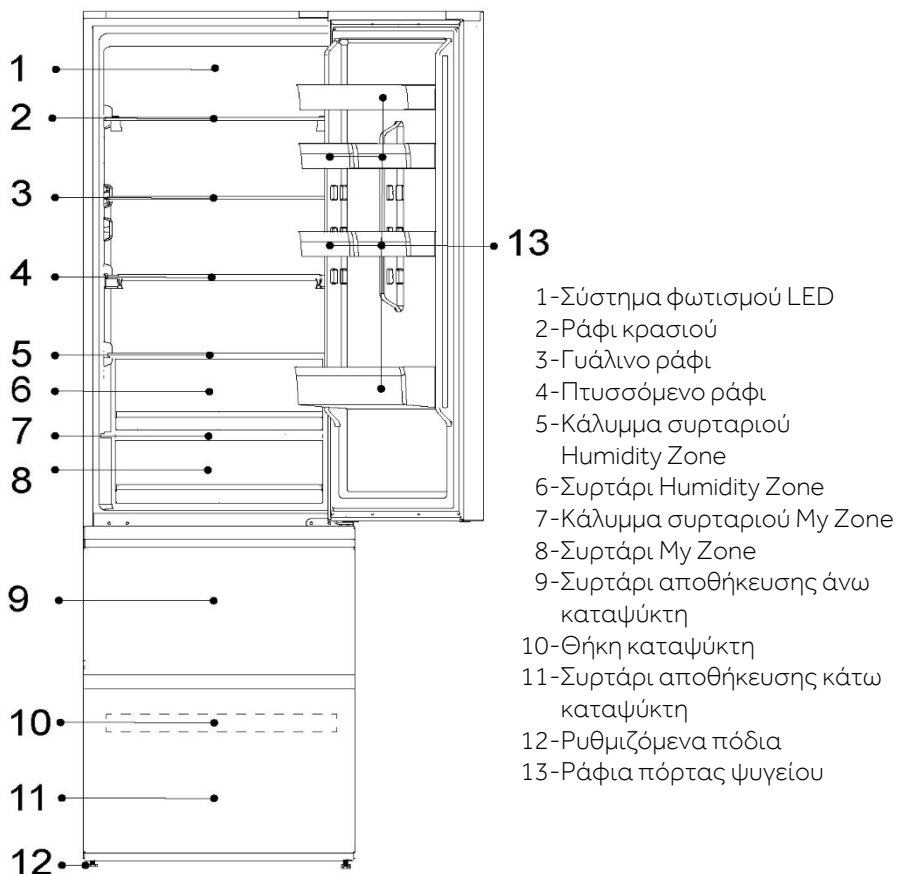
Λόγω τεχνικών αλλαγών και διαφορετικών μοντέλων, ορισμένες από τις απεικονίσεις σε αυτό το εγχειρίδιο ενδέχεται να διαφέρουν από το μοντέλο σας. (HTW5620DN*, HTW5620CN*, HTW5620EN*)



- 1-Λάμπα LED ψυγείου
- 2-Ράφι κρασιού
- 3-Γυάλινο ράφι
- 4-Πτυσσόμενο ράφι
- 5-Κάλυμμα συρταριού Humidity Zone
- 6-Συρτάρι Humidity Zone
- 7-Κάλυμμα συρταριού My Zone
- 8-Συρτάρι My Zone
- 9-Συρτάρι αποθήκευσης άνω καταψύκτη
- 10-Θήκη καταψύκτη
- 11-Συρτάρι αποθήκευσης κάτω καταψύκτη
- 12-Ρυθμιζόμενα πόδια
- 13-Ράφια πόρτας ψυγείου

i ΕΙΔΟΠΟΪΗΣΗ

Λόγω τεχνικών αλλαγών και διαφορετικών μοντέλων, ορισμένες από τις απεικονίσεις σε αυτό το εγχειρίδιο ενδέχεται να διαφέρουν από το μοντέλο σας. (HTW7620AN*, HTW7620CN*, HTW7620DN*)



1-Σύστημα φωτισμού LED

2-Ράφι κρασιού

3-Γυάλινο ράφι

4-Πτυσσόμενο ράφι

5-Κάλυμμα συρταριού

Humidity Zone

6-Συρτάρι Humidity Zone

7-Κάλυμμα συρταριού My Zone

8-Συρτάρι My Zone

9-Συρτάρι αποθήκευσης άνω

καταψύκτη

10-Θήκη καταψύκτη

11-Συρτάρι αποθήκευσης κάτω

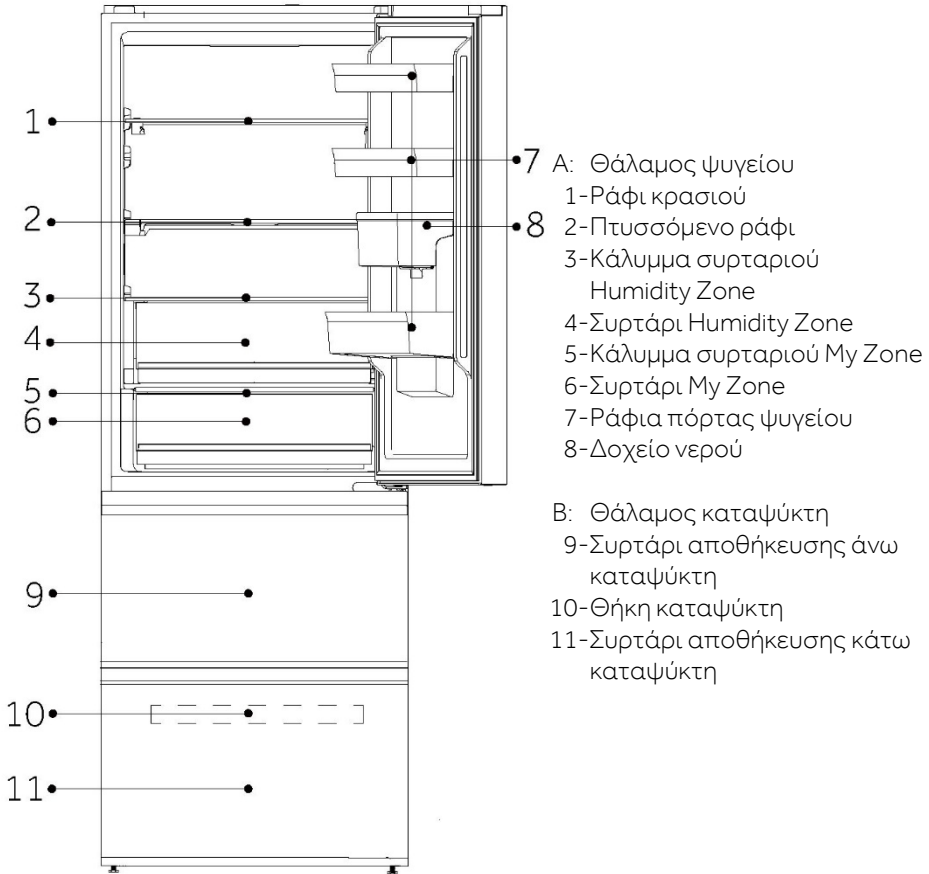
καταψύκτη

12-Ρυθμιζόμενα πόδια

13-Ράφια πόρτας ψυγείου

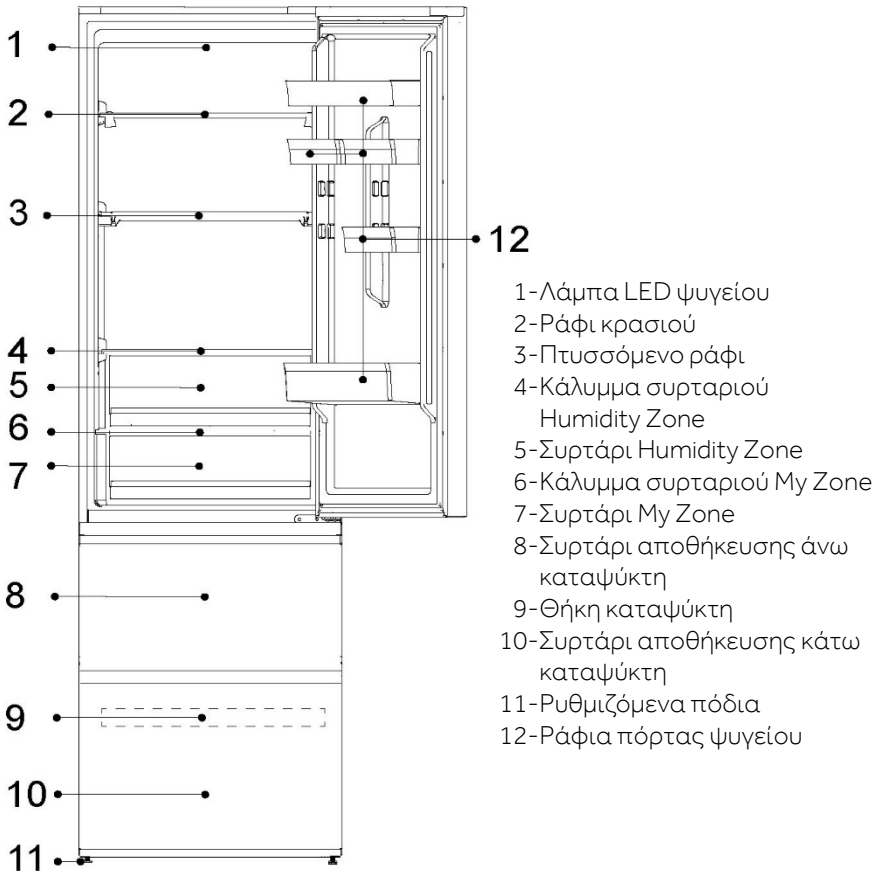
i ΕΙΔΟΠΟΪΗΣΗ

Λόγω τεχνικών αλλαγών και διαφορετικών μοντέλων, ορισμένες από τις απεικονίσεις σε αυτό το εγχειρίδιο ενδέχεται να διαφέρουν από το μοντέλο σας. (HTW5618DW*)



i ΕΙΔΟΠΟΪΗΣΗ

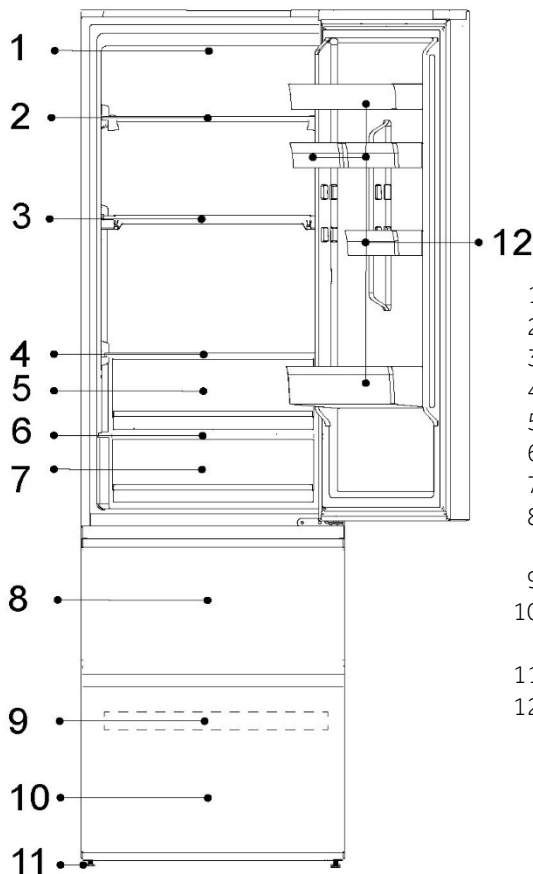
Λόγω τεχνικών αλλαγών και διαφορετικών μοντέλων, ορισμένες από τις απεικονίσεις σε αυτό το εγχειρίδιο ενδέχεται να διαφέρουν από το μοντέλο σας. (HTW5618DN*, HTW5618CN*, HTW5618EN*)



- 1-Λάμπα LED ψυγείου
- 2-Ράφι κρασιού
- 3-Πτυσσόμενο ράφι
- 4-Κάλυμμα συρταριού Humidity Zone
- 5-Συρτάρι Humidity Zone
- 6-Κάλυμμα συρταριού My Zone
- 7-Συρτάρι My Zone
- 8-Συρτάρι αποθήκευσης άνω καταψύκτη
- 9-Θήκη καταψύκτη
- 10-Συρτάρι αποθήκευσης κάτω καταψύκτη
- 11-Ρυθμιζόμενα πόδια
- 12-Ράφια πόρτας ψυγείου

i ΕΙΔΟΠΟΪΗΣΗ

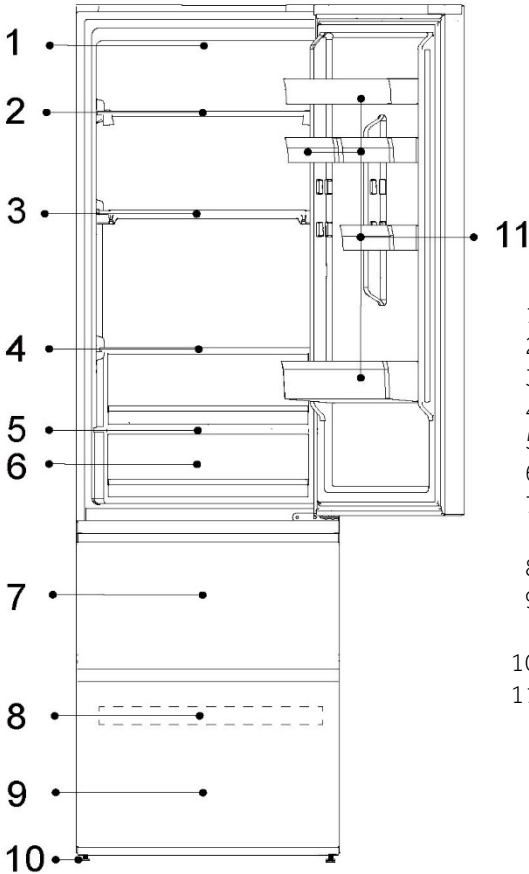
Λόγω τεχνικών αλλαγών και διαφορετικών μοντέλων, ορισμένες από τις απεικονίσεις σε αυτό το εγχειρίδιο ενδέχεται να διαφέρουν από το μοντέλο σας. (HTW3620DN*)



- 1-Λάμπα LED ψυγείου
- 2-Γυάλινο ράφι
- 3-Γυάλινο ράφι
- 4-Γυάλινο ράφι
- 5-Γυάλινο ράφι
- 6-Κάλυμμα συρταριού My Zone
- 7-Συρτάρι My Zone
- 8-Συρτάρι αποθήκευσης άνω καταψύκτη
- 9-Θήκη καταψύκτη
- 10-Συρτάρι αποθήκευσης κάτω καταψύκτη
- 11-Ρυθμιζόμενα πόδια
- 12-Ράφια πόρτας ψυγείου

i ΕΙΔΟΠΟΪΗΣΗ

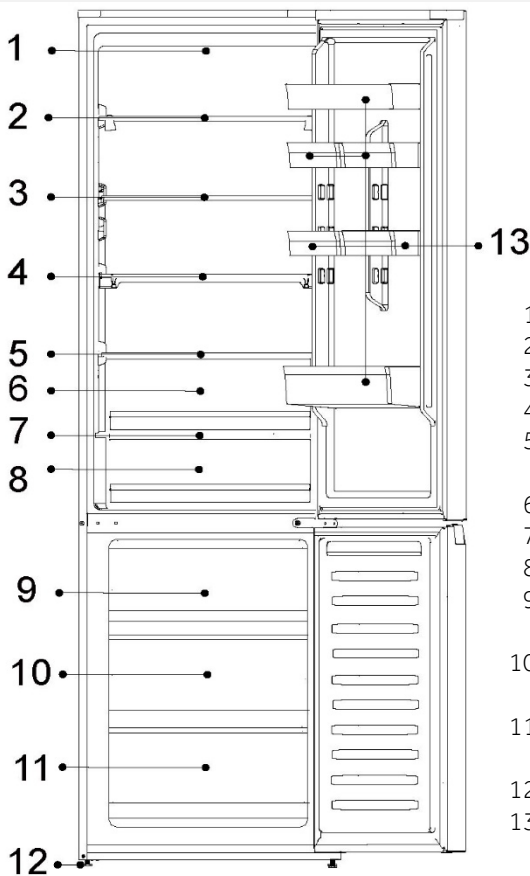
Λόγω τεχνικών αλλαγών και διαφορετικών μοντέλων, ορισμένες από τις απεικονίσεις σε αυτό το εγχειρίδιο ενδέχεται να διαφέρουν από το μοντέλο σας. (HTW3618DN*, HTW3618CN*, HTW3618EN*)



- 1-Λάμπα LED ψυγείου
- 2-Γυάλινο ράφι
- 3-Γυάλινο ράφι
- 4-Γυάλινο ράφι
- 5-Κάλυμμα συρταριού My Zone
- 6-Συρτάρι My Zone
- 7-Συρτάρι αποθήκευσης άνω καταψύκτη
- 8-Θήκη καταψύκτη
- 9-Συρτάρι αποθήκευσης κάτω καταψύκτη
- 10-Ρυθμιζόμενα πόδια
- 11-Ράφια πόρτας ψυγείου

i ΕΙΔΟΠΟΪΗΣΗ

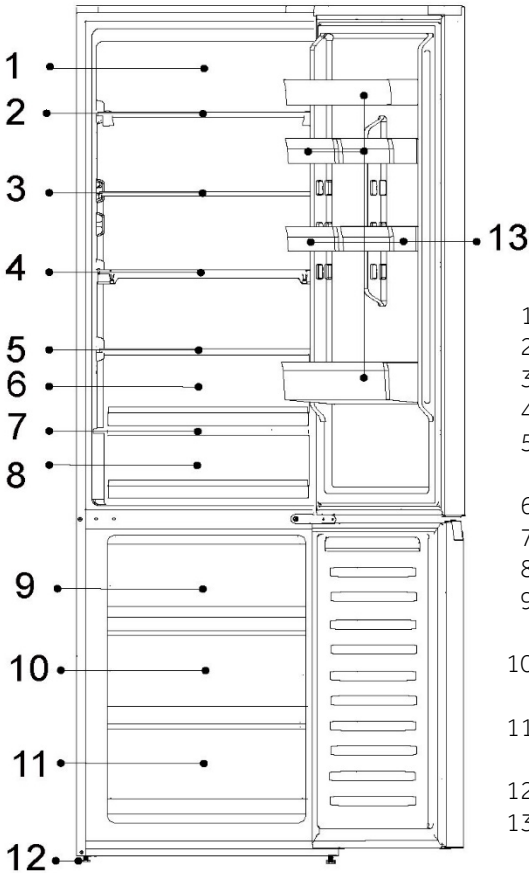
Λόγω τεχνικών αλλαγών και διαφορετικών μοντέλων, ορισμένες από τις απεικονίσεις σε αυτό το εγχειρίδιο ενδέχεται να διαφέρουν από το μοντέλο σας. (HDPW5620DN*, HDPW5620CN*, HDPW5620AN*, HDPW5620BN*)



- 1-Λάμπα LED ψυγείου
- 2-Ράφι κρασιού
- 3-Γυάλινο ράφι
- 4-Πτυσσόμενο ράφι
- 5-Κάλυμμα συρταριού Humidity Zone
- 6-Συρτάρι Humidity Zone
- 7-Κάλυμμα συρταριού My Zone
- 8-Συρτάρι My Zone
- 9-Συρτάρι αποθήκευσης άνω καταψύκτη
- 10-Συρτάρι αποθήκευσης μεσαίου καταψύκτη
- 11-Συρτάρι αποθήκευσης κάτω καταψύκτη
- 12-Ρυθμιζόμενα πόδια
- 13-Ράφια πόρτας ψυγείου

i ΕΙΔΟΠΟΪΗΣΗ

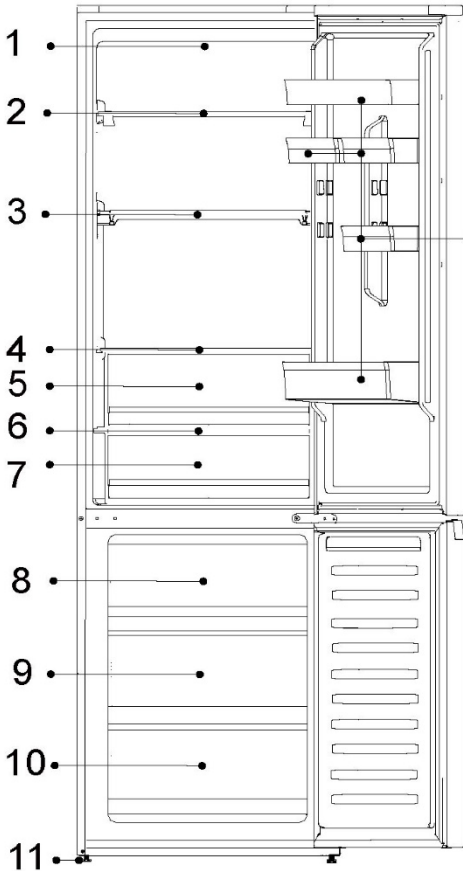
Λόγω τεχνικών αλλαγών και διαφορετικών μοντέλων, ορισμένες από τις απεικονίσεις σε αυτό το εγχειρίδιο ενδέχεται να διαφέρουν από το μοντέλο σας. (HDPW7620AN*, HDPW7620AAN*)



- 1-Σύστημα φωτισμού LED
- 2-Ράφι κρασιού
- 3-Γυάλινο ράφι
- 4-Πτυσσόμενο ράφι
- 5-Κάλυμμα συρταριού Humidity Zone
- 6-Συρτάρι Humidity Zone
- 7-Κάλυμμα συρταριού My Zone
- 8-Συρτάρι My Zone
- 9-Συρτάρι αποθήκευσης άνω καταψύκτη
- 10-Συρτάρι αποθήκευσης μεσαίου καταψύκτη
- 11-Συρτάρι αποθήκευσης κάτω καταψύκτη
- 12-Ρυθμιζόμενα πόδια
- 13-Ράφια πόρτας ψυγείου

i ΕΙΔΟΠΟΪΗΣΗ

Λόγω τεχνικών αλλαγών και διαφορετικών μοντέλων, ορισμένες από τις απεικονίσεις σε αυτό το εγχειρίδιο ενδέχεται να διαφέρουν από το μοντέλο σας. (HDPW5618DN*, HDPW5618CN*)

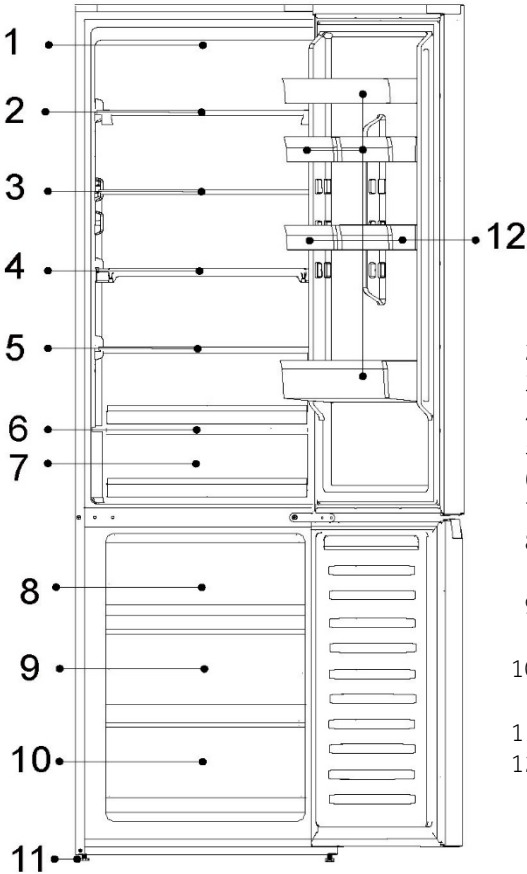


• 12

- 1-Λάμπα LED ψυγείου
- 2-Ράφι κρασιού
- 3-Πτυσσόμενο ράφι
- 4-Κάλυμμα συρταριού Humidity Zone
- 5-Συρτάρι Humidity Zone
- 6-Κάλυμμα συρταριού My Zone
- 7-Συρτάρι My Zone
- 8-Συρτάρι αποθήκευσης άνω καταψύκτη
- 9-Συρτάρι αποθήκευσης μεσαίου καταψύκτη
- 10-Συρτάρι αποθήκευσης κάτω καταψύκτη
- 11-Ρυθμιζόμενα πόδια
- 12-Ράφια πόρτας ψυγείου

i ΕΙΔΟΠΟΪΗΣΗ

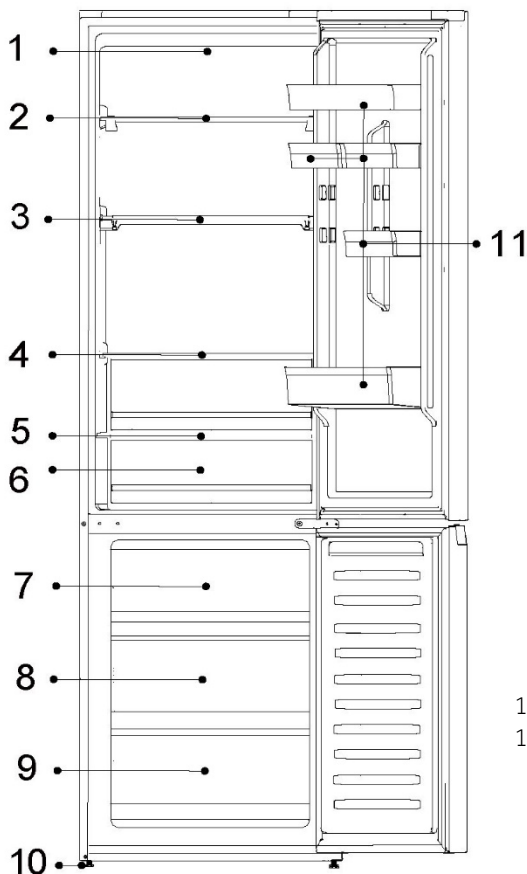
Λόγω τεχνικών αλλαγών και διαφορετικών μοντέλων, ορισμένες από τις απεικονίσεις σε αυτό το εγχειρίδιο ενδέχεται να διαφέρουν από το μοντέλο σας. (HDPW3620DN*, HDPW3620CN*)



- 1-Λάμπα LED ψυγείου
- 2-Γυάλινο ράφι
- 3-Γυάλινο ράφι
- 4-Γυάλινο ράφι
- 5-Γυάλινο ράφι
- 6-Κάλυμμα συρταριού My Zone
- 7-Συρτάρι My Zone
- 8-Συρτάρι αποθήκευσης άνω καταψύκτη
- 9-Συρτάρι αποθήκευσης μεσαίου καταψύκτη
- 10-Συρτάρι αποθήκευσης κάτω καταψύκτη
- 11-Ρυθμιζόμενα πόδια
- 12-Ράφια πόρτας ψυγείου

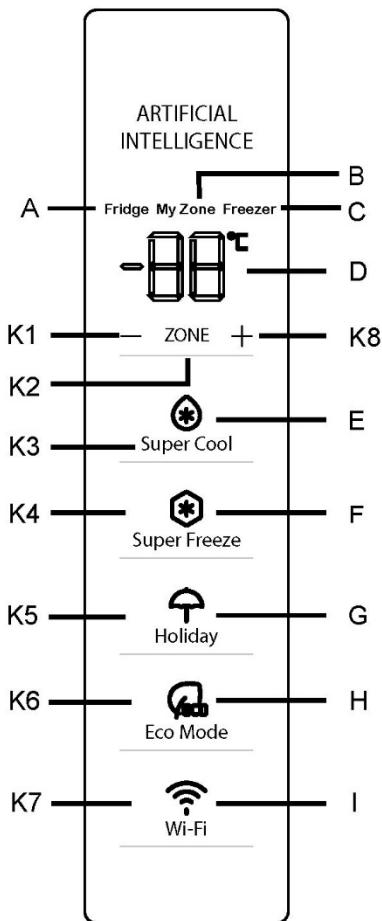
i ΕΙΔΟΠΟΪΗΣΗ

Λόγω τεχνικών αλλαγών και διαφορετικών μοντέλων, ορισμένες από τις απεικονίσεις σε αυτό το εγχειρίδιο ενδέχεται να διαφέρουν από το μοντέλο σας. (HDPW3618DN*)



- 1-Λάμπα LED ψυγείου
- 2-Γυάλινο ράφι
- 3-Γυάλινο ράφι
- 4-Γυάλινο ράφι
- 5-Κάλυμμα συρταριού My Zone
- 6-Συρτάρι My Zone
- 7-Συρτάρι αποθήκευσης άνω καταψύκτη
- 8-Συρτάρι αποθήκευσης μεσαίου καταψύκτη
- 9-Συρτάρι αποθήκευσης κάτω καταψύκτη
- 10-Ρυθμιζόμενα πόδια
- 11-Ράφια πόρτας ψυγείου

Πίνακας ελέγχου



Ενδείξεις:

- A Θάλαμος ψυγείου
- B Διαμέρισμα ψύξης (My Zone)
- C Θάλαμος καταψύκτη
- D Οθόνη θερμοκρασίας
- E Λειτουργία Super Cool
- F Λειτουργία Super Freeze
- G Λειτουργία Holiday
- H Λειτουργία Eco Mode I Λειτουργία Wi-Fi

Κουμπιά:

- K1 Μείωση θερμοκρασίας
- K2 Επιλογή Fridge, My Zone και Freezer
- K3 Ενεργοποίηση/απενεργοποίηση λειτουργίας Super Cool
- K4 Ενεργοποίηση/απενεργοποίηση λειτουργίας Super Freeze
- K5 Ενεργοποίηση/απενεργοποίηση λειτουργίας Holiday
- K6 Ενεργοποίηση/απενεργοποίηση Eco Mode
- K7 Ενεργοποίηση/απενεργοποίηση λειτουργίας Wi-Fi
- K8 Αύξηση θερμοκρασίας

Πριν από την πρώτη χρήση

Αφαιρέστε όλα τα υλικά συσκευασίας, κρατήστε τα μακριά από τα παιδιά και απορρίψτε τα με φιλικό προς το περιβάλλον τρόπο.

Καθαρίστε τη συσκευή μέσα και έξω, καθώς και το εσωτερικό και τα παρελκόμενα, με νερό και ήπιο απορρυπαντικό και στεγνώστε τη καλά με μαλακό πανί.

Αφού η συσκευή τοποθετηθεί απολύτως οριζοντιωμένη και καθαριστεί, περιμένετε τουλάχιστον 2 ώρες πριν τη συνδέσετε στην παροχή ηλεκτρικής ισχύος. Ανατρέξτε στην ενότητα ΕΓΚΑΤΑΣΤΑΣΗ.

Προψύξτε τους θαλάμους σε υψηλές ρυθμίσεις πριν τοποθετήσετε τρόφιμα. Η λειτουργία Super Freeze βοηθά στη γρήγορη ψύξη του θαλάμου καταψύκτη

Πλήκτρα αισθητήρων

Τα κουμπιά στον πίνακα ελέγχου είναι πλήκτρα αισθητήρων, τα οποία ανταποκρίνονται ήδη όταν αγγίζονται ελαφρά με το δάχτυλο.

Ενεργοποίηση /απενεργοποίηση της συσκευής

Η συσκευή λειτουργεί μόλις συνδεθεί με την παροχή ρεύματος.

Όταν η συσκευή τροφοδοτείται για πρώτη φορά, οι ενδείξεις θερμοκρασίας "D" εμφανίζουν τις προκαθορισμένες τιμές (ανατρέξτε στην παρακάτω Ειδοποίηση).

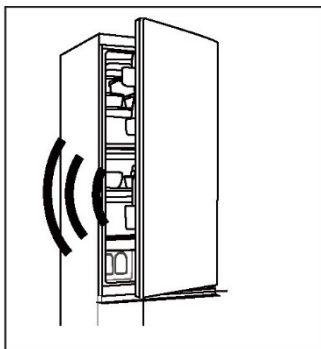
ΕΙΔΟΠΟΪΗΣΗ

Η συσκευή είναι προρυθμισμένη στη συνιστώμενη θερμοκρασία 5 °C (ψυγείο) και -18°C (καταψύκτης). Η θερμοκρασία My Zone είναι προρυθμισμένη στους 2 °C περίπου. Αυτές είναι οι προτεινόμενες ρυθμίσεις. Εάν θέλετε, μπορείτε να αλλάξετε αυτές τις θερμοκρασίες χειροκίνητα.

Συναγερμός ανοίγματος πόρτας

Όταν η πόρτα του ψυγείου είναι ανοικτή για περισσότερο από 3 λεπτά, θα ηχήσει ο συναγερμός ανοίγματος της πόρτας.

Ο συναγερμός μπορεί να αποσιωπηθεί κλείνοντας την πόρτα. Εάν η πόρτα είναι ανοικτή για περισσότερο από 7 λεπτά, το φως μέσα στο ψυγείο και ο φωτισμός του πίνακα ελέγχου θα σβήσουν αυτόματα.



Ρύθμιση θερμοκρασίας

Οι εσωτερικές θερμοκρασίες επηρεάζονται από τους ακόλουθους παράγοντες:

- ▶ Θερμοκρασία περιβάλλοντος
- ▶ Συχνότητα ανοίγματος πόρτας
- ▶ Ποσότητα αποθηκευμένων τροφίμων
- ▶ Εγκατάσταση της συσκευής



Ρύθμιση θερμοκρασίας του ψυγείου

1. Πατήστε το κουμπί "K2" (επιλογή Fridge/ (My Zone)/ Freezer) για να επιλέξετε τον θάλαμο ψυγείου. Το εικονίδιο "A" (θάλαμος ψυγείου) και "D" (Οθόνη θερμοκρασίας) είναι φωτεινά.

2. Πατήστε το κουμπί "K1/K8" για να ρυθμίσετε τη θερμοκρασία του ψυγείου.

Η θερμοκρασία αυξάνεται διαδοχικά κατά 1°C, από ένα ελάχιστο 2°C έως ένα μέγιστο 8°C. Η βέλτιστη θερμοκρασία στο ψυγείο είναι 5°C. Χαμηλότερες θερμοκρασίες σημαίνουν περιττή κατανάλωση ενέργειας.

3. Μετά από περίπου 5 δευτερόλεπτα, το εικονίδιο θερμοκρασίας "D" (Προβολή θερμοκρασίας) θα είναι μόνιμα φωτεινό και η ρύθμιση επιβεβαιώνεται.

Ρύθμιση θερμοκρασίας του καταψύκτη

1. Πατήστε το κουμπί "K2" (επιλογή Fridge/ (My Zone)/ Freezer) για να επιλέξετε °C στον θάλαμο κατάψυξης. Το εικονίδιο "C" (Θάλαμος καταψύκτη) και "D" (Προβολή θερμοκρασίας) είναι φωτεινά.

2. Πατήστε το κουμπί "K1/K8" για να ρυθμίσετε τη θερμοκρασία ψύξης.

Η θερμοκρασία αυξάνεται διαδοχικά κατά 1°C, από ένα ελάχιστο -24°C έως ένα μέγιστο -16°C. Η βέλτιστη θερμοκρασία στον καταψύκτη είναι -18. Χαμηλότερες θερμοκρασίες σημαίνουν περιττή κατανάλωση ενέργειας.

3. Μετά από περίπου 5 δευτερόλεπτα, η ένδειξη θερμοκρασίας "D" (Προβολή θερμοκρασίας) θα είναι μόνιμα φωτεινή και η ρύθμιση επιβεβαιώνεται.

Ρύθμιση θερμοκρασίας My Zone

Ο θάλαμος ψυγείου είναι εξοπλισμένος με συρτάρι My Zone. Ανάλογα με τις απαιτήσεις αποθήκευσης τροφίμων, μπορεί να επιλεγεί η καταλληλότερη θερμοκρασία για να επιτευχθεί η βέλτιστη θρεπτική αξία των τροφίμων.

1. Πατήστε το κουμπί "K2" (επιλογή Fridge/ (My Zone)/ Freezer) για να επιλέξετε τον θάλαμο My Zone. Το εικονίδιο "B" (θάλαμος My Zone) και "D" (Οθόνη θερμοκρασίας) είναι φωτεινά.

2. Πατήστε το κουμπί "K1/K8" για να ρυθμίσετε τη θερμοκρασία My Zone.

Η θερμοκρασία αυξάνεται διαδοχικά κατά 1°C, από ένα ελάχιστο 0°C έως ένα μέγιστο 5°C.

3. Μετά από περίπου 5 δευτερόλεπτα, το εικονίδιο θερμοκρασίας "D" (Προβολή θερμοκρασίας) θα είναι μόνιμα φωτεινό και η ρύθμιση επιβεβαιώνεται.

i ΕΙΔΟΠΟΪΗΣΗ

1. Μπορείτε να ρυθμίσετε τη θερμοκρασία του θαλάμου My Zone στο μεσαίο επίπεδο (2°C), προκειμένου να διατηρήσετε το φαγητό σας στο βέλτιστο περιβάλλον αποθήκευσης.
2. Λόγω της διαφορετικής περιεκτικότητας σε νερό του κρέατος, κάποια κρέατα με περισσότερη υγρασία θα καταψύχονται σε θερμοκρασίες χαμηλότερες από 0°C. Έτσι, το «φρεσκοκομμένο» κρέας θα πρέπει να αποθηκεύεται στο συρτάρι My Zone, με ελάχιστη θερμοκρασία 0 C.
3. Φρούτα ευαίσθητα στο κρύο όπως ανανάς, αβοκάντο, μπανάνες, γκρέιπφρουτ και λαχανικά όπως πατάτες, μελιτζάνες, φασόλια, αγγούρια, κολοκυθάκια και ντομάτες και τυρί δεν θα πρέπει να αποθηκεύονται στο συρτάρι My Zone
4. Εάν η θερμοκρασία του ψυγείου είναι χαμηλότερη από τη θερμοκρασία My Zone, είναι φυσιολογικό. Η θερμοκρασία My Zone είναι χαμηλότερη από τη θερμοκρασία ρύθμισης My Zone
5. Εάν η θερμοκρασία δωματίου είναι χαμηλότερη από 8°C, η θερμοκρασία του συρταριού My Zone θα βρίσκεται πάντα κοντά στους 0°C.

i ΕΙΔΟΠΟΪΗΣΗ

Μετά τη ρύθμιση της θερμοκρασίας, εάν πατηθούν άλλα κουμπιά εντός 5 δευτερολέπτων, η τρέχουσα ρύθμιση θερμοκρασίας θα επιβεβαιωθεί αμέσως. Εάν δεν εκτελεστεί καμία λειτουργία κουμπιών εντός 5 δευτερολέπτων, εμφανίζεται η τρέχουσα ρυθμισμένη θερμοκρασία μέχρι να σβήσει η οθόνη.

i ΕΙΔΟΠΟΪΗΣΗ

Από την εφαρμογή μπορείτε να προσαρμόσετε τη θερμοκρασία για το ψυγείο, για τον καταψύκτη και για το My Zone. Η θερμοκρασία μπορεί να ρυθμιστεί με ευαισθησία 1°C.

Λειτουργία Super Cool

1. Προτείνεται να ενεργοποιήσετε τη λειτουργία Super Cool εάν πρέπει να αποθηκευτεί μεγαλύτερη ποσότητα τροφίμων (για παράδειγμα μετά τα ψώνια). Η λειτουργία Super Cool επιταχύνει την ψύξη των φρέσκων τροφίμων και προστατεύει τα τρόφιμα που έχουν ήδη αποθηκευτεί από ανεπιθύμητη θέρμανση.
2. Πατήστε το κουμπί "K3" ή ενεργοποιήστε το από την εφαρμογή, το εικονίδιο "E" (λειτουργία Super Cool) είναι φωτεινό και η λειτουργία είναι ενεργοποιημένη.



i ΕΙΔΟΠΟΪΗΣΗ

1. Η συσκευή κλείνει τη "λειτουργία Super Cool" 6 ώρες μετά την καταχώρηση της "λειτουργία Super Cool", ή πατώντας το κουμπί "K3" όταν το εικονίδιο "E" (λειτουργία Super Cool) είναι φωτεινό, ή με την απενεργοποίησή του από την εφαρμογή.
2. Στην κατάσταση Super Cool, εάν έχει ρυθμιστεί η θερμοκρασία του θαλάμου ψυγείου, το εικονίδιο "E" (λειτουργία Super Cool) αναβοσβήνει για να υποδείξει ότι αυτή η λειτουργία δεν μπορεί να πραγματοποιηθεί.

Λειτουργία Super Freeze

1. Τα νωπά τρόφιμα θα πρέπει να καταψύχονται όσο το δυνατόν γρηγορότερα στο κέντρο τους. Έτσι μπορεί να διαφυλάσσεται η καλύτερη διατροφική αξία, η εμφάνιση και η γεύση. Η λειτουργία Super Freeze επιταχύνει την κατάψυξη των νωπών τροφίμων και προστατεύει τα τρόφιμα που έχουν ήδη αποθηκευτεί από ανεπιθύμητη θέρμανση. Εάν πρέπει να καταψύξετε μια μεγάλη ποσότητα τροφίμων άμεσα, συνιστάται να ρυθμίσετε τη λειτουργία Super Freeze 24 ώρες νωρίτερα από τη χρήση του χώρου κατάψυξης.
2. Πατήστε το κουμπί "K4" (ρύθμιση λειτουργίας Super Freeze) ή ενεργοποιήστε το από την εφαρμογή, το εικονίδιο "F" (λειτουργία Super Freeze) είναι φωτεινό και η λειτουργία είναι ενεργοποιημένη.

i ΕΙΔΟΠΟΪΗΣΗ

1. Η συσκευή κλείνει τη "λειτουργία Super Freeze" 50 ώρες μετά την καταχώρηση της "λειτουργία Super Freeze", ή πατώντας το κουμπί "K4" όταν το εικονίδιο "F" (λειτουργία Super Freeze) είναι φωτεινό, ή με την απενεργοποίησή του από την εφαρμογή.
2. Στην κατάσταση Super Freeze, εάν έχει ρυθμιστεί η θερμοκρασία του θαλάμου κατάψυξης, το εικονίδιο "F" (λειτουργία Super Freeze) αναβοσβήνει για να υποδείξει ότι αυτή η λειτουργία δεν μπορεί να πραγματοποιηθεί.

Λειτουργία Holiday

Η λειτουργία Holiday μπορεί να χρησιμοποιηθεί για τη μείωση της κατανάλωσης ενέργειας της συσκευής, όταν δεν χρησιμοποιείται τακτικά. Όταν η λειτουργία είναι ενεργοποιημένη, το ψυγείο είναι σβηστό, ενώ ο καταψύκτης θα συνεχίσει να λειτουργεί κανονικά. Η λειτουργία ρυθμίζει τη θερμοκρασία του ψυγείου μόνιμα στους 17°C.

Αυτό επιτρέπει να διατηρείται η πόρτα του άδειου ψυγείου κλειστή χωρίς να προκαλείται δυσσομία ή μούχλα-κατά τη διάρκεια παρατεταμένης απουσίας (π.χ. κατά τη διάρκεια των διακοπών). Ο θάλαμος κατάψυξης ρυθμίζεται όπως επιθυμείτε.



1. Πατήστε το κουμπί "K5" (ενεργοποίηση/απενεργοποίηση λειτουργίας Holiday) ή επιλέξτε τη λειτουργία από την εφαρμογή, το εικονίδιο "G" (λειτουργία Holiday) είναι φωτεινό και η λειτουργία είναι ενεργοποιημένη.
2. Η λειτουργία μπορεί να απενεργοποιηθεί πατώντας ξανά το κουμπί "K5" (ενεργοποίηση/απενεργοποίηση λειτουργίας Holiday) ή ρυθμίζοντας τη θερμοκρασία του ψυγείου, ή πραγματοποιώντας οποιαδήποτε άλλη ρύθμιση, ή απενεργοποιώντας το από την εφαρμογή.

ΕΙΔΟΠΟΪΗΣΗ

1. Κατά τη διάρκεια της λειτουργίας Holiday, δεν πρέπει να αποθηκεύονται τρόφιμα στον θάλαμο ψυγείου. Η θερμοκρασία 17°C είναι πολύ υψηλή για την αποθήκευση τροφίμων.
2. Όταν η λειτουργία Holiday είναι ενεργοποιημένη, το εικονίδιο My Zone παραμένει απενεργοποιημένο και η λειτουργία ψυγείου είναι κλειδωμένη. Εάν έχει ρυθμιστεί η θερμοκρασία του θαλάμου ψυγείου, το εικονίδιο "G" (λειτουργία Holiday) αναβοσβήνει για να υποδείξει ότι αυτή η λειτουργία δεν μπορεί να πραγματοποιηθεί.

Λειτουργία Eco Mode

Η Eco Mode μπορεί να ενεργοποιηθεί για τη βελτιστοποίηση της απόδοσης της συσκευής, ενώ επιτυγχάνεται η καλύτερη αποθήκευση τροφίμων. Εάν δεν έχετε ειδικές απαιτήσεις, συνιστούμε να χρησιμοποιείτε τη λειτουργία Eco Mode. Σε αυτή τη λειτουργία η θερμοκρασία του ψυγείου είναι 5°C, η θερμοκρασία κατάψυξης είναι -18°C.


1. Πατήστε το κουμπί "K6" (ενεργοποίηση/απενεργοποίηση λειτουργίας Eco Mode) ή επιλέξτε τη λειτουργία από την εφαρμογή.
2. Το εικονίδιο "H" (λειτουργία Eco Mode) είναι φωτεινό και η λειτουργία είναι ενεργοποιημένη.

Επαναλαμβάνοντας τα παραπάνω βήματα, ή επιλέγοντας άλλη λειτουργία, ή απενεργοποιώντας από την εφαρμογή, αυτή η λειτουργία μπορεί να απενεργοποιηθεί ξανά. Αποκαθίστανται τα επίπεδα ψύξης που είχαν οριστεί προηγουμένως.

ΕΙΔΟΠΟΪΗΣΗ

Κατά τη διάρκεια της λειτουργίας Eco Mode, εάν έχει ρυθμιστεί η θερμοκρασία του θαλάμου ψυγείου/καταψύκτη, το εικονίδιο "H" (λειτουργία Eco Mode) αναβοσβήνει για να υποδείξει ότι αυτή η λειτουργία δεν μπορεί να πραγματοποιηθεί.

Βήμα 1 Κατεβάστε την εφαρμογή hOn από τα καταστήματα.

   	
<p>Βήμα 2 Δημιουργήστε τον λογαριασμό σας στην εφαρμογή hOn ή συνδεθείτε εάν έχετε ήδη λογαριασμό.</p> 	<p>Βήμα 3 Ακολουθήστε τις οδηγίες ζεύξης της εφαρμογής hOn.</p> 

Λειτουργία Wi-Fi

1. Ακολουθήστε τις οδηγίες στην εφαρμογή για να ρυθμίσετε το Wi-Fi.
2. Μόλις ρυθμιστεί το Wi-Fi και δημιουργηθεί η σύνδεση, το εικονίδιο Wi-Fi "I" θα είναι φωτεινό και σταθερό.
3. Εάν το Wi-Fi έχει ήδη ρυθμιστεί, θα επανασυνδεθεί αυτόματα σύμφωνα με τα στοιχεία ρύθμισης παραμέτρων, αν ενεργοποιείται το Wi-Fi.

ΕΙΔΟΠΟΪΣΗ

1. Για να απενεργοποιήσετε το Wi-Fi, πατήστε το κουμπί Wi-Fi "K7" και το εικονίδιο Wi-Fi "I" απενεργοποιείται.
2. Για να ενεργοποιήσετε το Wi-Fi και να ξεκινήσετε τη ρύθμιση, πατήστε το κουμπί Wi-Fi "K7" και το εικονίδιο Wi-Fi "I" αρχίζει να αναβοσβήνει αργά. Εάν θέλετε να ρυθμίσετε τη λειτουργία Wi-Fi, πατήστε το κουμπί "K7" για 3 δευτερόλεπτα, το εικονίδιο Wi-Fi αναβοσβήνει γρήγορα και εισέρχεται στη λειτουργία ρύθμισης παραμέτρων. Εάν θέλετε να απενεργοποιήσετε τη λειτουργία Wi-Fi, πατήστε το κουμπί "K7" μία φορά. Τα παραπάνω βήματα επαναλαμβάνονται.
3. Εάν το προϊόν έχει ρυθμιστεί και η λειτουργία Wi-Fi ήταν απενεργοποιημένη, το ψυγείο δεν θα εισέλθει στη λειτουργία ρύθμισης παραμέτρων μετά την επανασύνδεση στο ρεύμα.

ΕΙΔΟΠΟΪΣΗ

1. Το προϊόν αυτό δεν προορίζεται για εμπορική χρήση.
2. Η μέγιστη ισχύς εξόδου RF: Wi-Fi 2,4 GHz: 16dBm.
3. Bluetooth LE: 5dBm. Bluetooth (BR/EDR): 10dBm.
4. Ζώνη συχνοτήτων λειτουργίας: 2400-2483,5 MHz.

Αποθήκευση στον θάλαμο ψυγείου

- Διατηρήστε τη θερμοκρασία του ψυγείου σας κάτω από 5° C.
- Το ζεστό φαγητό πρέπει να ψύχεται σε θερμοκρασία δωματίου πριν από την αποθήκευση στη συσκευή.
- Τα τρόφιμα που αποθηκεύονται στο ψυγείο πρέπει να πλένονται και να στεγνώνουν πριν από την αποθήκευση.
- Τα τρόφιμα προς αποθήκευση θα πρέπει να σφραγίζονται σωστά για να αποφευχθούν δυσοσμίες ή αλλοιώσεις γεύσης.
- Μην αποθηκεύετε υπερβολικές ποσότητες τροφίμων. Αφήστε κενά μεταξύ των τροφίμων για να επιτρέψετε στον κρύο αέρα να ρέει γύρω τους, για καλύτερη και πιο ομοιογενή ψύξη.
- Τα τρόφιμα που τρώγονται καθημερινά πρέπει να αποθηκεύονται στο μπροστινό μέρος του ραφιδιού.
- Αφήστε ένα κενό μεταξύ τροφίμων και εσωτερικών τοιχωμάτων, επιτρέποντας τη ροή του αέρα. Για κανέναν λόγο μην αποθηκεύετε τρόφιμα σε επαφή με το πίσω τοίχωμα: τα τρόφιμα θα μπορούσαν να παγώσουν σε επαφή με το πίσω τοίχωμα. Αποφύγετε την άμεση επαφή των τροφίμων (ιδιαίτερα των ελαιωδών ή όξινων τροφίμων) με την εσωτερική επένδυση, καθώς το λάδι / οξύ μπορεί να διαβρώσει την εσωτερική επένδυση. Καθαρίστε το λάδι/οξύ όπου υπάρχει.
- Τα κατεψυγμένα τρόφιμα μπορούν να αποψυχθούν προσεκτικά στον θάλαμο ψυγείου. Κάτι που εξοικονομεί ενέργεια.
- Η διαδικασία ωρίμασης φρούτων και λαχανικών όπως κολοκυθάκια, πεπόνια, παπάγια, μπανάνες, ανανάδες, κ.λπ., μπορεί να επιταχυνθεί στο ψυγείο. Ως εκ τούτου, δεν συνιστάται η αποθήκευσή τους στο ψυγείο. Ωστόσο, η ωρίμανση (γήρανση) των φρούτων που έχουν έντονη τάση ωρίμανσης μπορεί να επιταχυνθεί για μια συγκεκριμένη περίοδο. Τα κρεμμύδια, το σκόρδο, το τζιντζερ και άλλα λαχανικά που διαθέτουν ρίζες θα πρέπει επίσης να αποθηκεύονται σε θερμοκρασία δωματίου.
- Οι δυσάρεστες οσμές μέσα στο ψυγείο είναι ένα σημάδι ότι κάτι έχει χυθεί και απαιτείται καθαρισμός. Δείτε «Φροντίδα και καθαρισμός».
- Διαφορετικά τρόφιμα πρέπει να τοποθετούνται σε διαφορετικές περιοχές ανάλογα με τις ιδιότητές τους.

Αποθήκευση στον θάλαμο καταψύκτη

- Διατηρήστε τη θερμοκρασία καταψύκτη στους -18° C.
- 24 ώρες πριν την κατάψυξη, ενεργοποιήστε τη λειτουργία Super-Freeze. Για μικρές ποσότητες φαγητού, αρκούν 4-6 ώρες.
- Το ζεστό φαγητό πρέπει να ψύχεται σε θερμοκρασία δωματίου πριν από την αποθήκευση στον θάλαμο καταψύκτη.
- Τα τρόφιμα που κόβονται σε μικρές μερίδες θα παγώσουν γρηγορότερα και θα είναι πιο εύκολο να ξεπαγώσουν και να μαγειρευτούν. Το συνιστώμενο βάρος για κάθε μερίδα είναι μικρότερο από 2,5 κιλά
- Είναι καλύτερα να συσκευάσετε το φαγητό πριν το βάλετε στον καταψύκτη. Το εξωτερικό της συσκευασίας πρέπει να είναι στεγνό για να μην κολλάνε



μεταξύ τους οι σακούλες. Τα υλικά συσκευασίας πρέπει να είναι απαλλαγμένα από οσμές, να είναι αεροστεγή, μη δηλητηριώδη και μη τοξικά.

- Για να αποφύγετε τη λήξη των περιόδων αποθήκευσης, παρακαλείστε να σημειώσετε την ημερομηνία κατάψυξης, την προθεσμία και το όνομα του τροφικού στη συσκευασία ανάλογα με τις περιόδους αποθήκευσης διαφορετικών τροφίμων.



ΠΡΟΕΙΔΟΠΟΙΗΣΗ!

- ▶ Οξύ, αλκάλια και αλάτι κ.λπ. θα μπορούσαν να διαβρώσουν την εσωτερική επιφάνεια του καταψύκτη
- ▶ Μην τοποθετείτε τρόφιμα με αυτές τις ουσίες (π.χ. ψάρια θαλασσινού νερού) απευθείας στην εσωτερική επιφάνεια. Το αλμυρό νερό στην κατάψυξη πρέπει να καθαριστεί αμέσως.
- ▶ Μην υπερβαίνετε το χρόνο αποθήκευσης τροφίμων που προτείνουν οι κατασκευαστές. Βγάλτε μόνο την απαιτούμενη ποσότητα τροφής από την κατάψυξη.
- ▶ Καταναλώστε τα αποψυγμένα τρόφιμα γρήγορα. Τα αποψυγμένα τρόφιμα δεν μπορούν να καταψυχθούν εκ νέου εκτός εάν πρώτα μαγειρευτούν, διαφορετικά μπορεί να γίνουν λιγότερο βρώσιμα.
- ▶ Μην τοποθετείτε υπερβολικές ποσότητες νωπών τροφίμων στον θάλαμο κατάψυξης. Ανατρέξτε στην ικανότητα κατάψυξης του καταψύκτη - Δείτε στο ΤΕΧΝΙΚΑ ΔΕΔΟΜΕΝΑ ή δεδομένα στην πινακίδα τύπου.
- ▶ Τα τρόφιμα μπορούν να αποθηκευτούν στον καταψύκτη σε θερμοκρασία τουλάχιστον -18°C για 2 έως 12 μήνες, ανάλογα με τις ιδιότητές του (π.χ. κρέας: 3-12 μήνες, λαχανικά: 6-12 μήνες)
- ▶ Κατά την κατάψυξη νωπών τροφίμων, αποφύγετε να τα φέρετε σε επαφή με ήδη κατεψυγμένα τρόφιμα. Κίνδυνος απόψυξης!

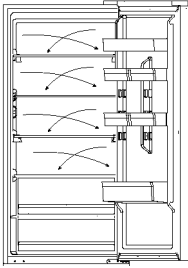
Κατά την αποθήκευση εμπορικά κατεψυγμένων τροφίμων, ακολουθήστε αυτές τις οδηγίες:

- Να ακολουθείτε πάντα τις οδηγίες των κατασκευαστών για το χρονικό διάστημα για το οποίο πρέπει να αποθηκεύετε τρόφιμα. Μην υπερβαίνουμε αυτές τις οδηγίες!
- Προσπαθήστε να διατηρήσετε το χρονικό διάστημα μεταξύ αγοράς και αποθήκευσης όσο το δυνατόν συντομότερο για να διατηρήσετε την ποιότητα των τροφίμων.
- Αγοράστε κατεψυγμένα τρόφιμα, τα οποία έχουν αποθηκευτεί σε θερμοκρασία -18°C ή χαμηλότερη.
- Αποφύγετε να αγοράζετε τρόφιμα που έχουν πάγο ή δροσοπάγο πάνω στη συσκευασία - Αυτό υποδηλώνει ότι τα προϊόντα μπορεί να έχουν αποψυχθεί μερικώς και να έχουν καταψυχθεί ξανά κάποια στιγμή - οι αυξήσεις της θερμοκρασίας επηρεάζουν την ποιότητα των τροφίμων.



ΕΙΔΟΠΟΪΗΣΗ

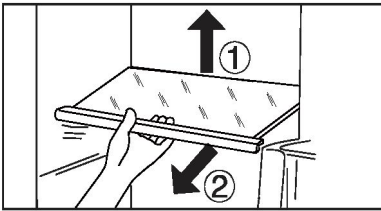
Λόγω διαφορετικών μοντέλων, το προϊόν σας ενδέχεται να μην έχει όλα τα ακόλουθα χαρακτηριστικά. Ανατρέξτε στο κεφάλαιο Περιγραφή προϊόντος.!



Πολλαπλή ροή αέρα

Το ψυγείο είναι εξοπλισμένο με σύστημα πολλαπλών ροών αέρα, το οποίο παρέχει ροή κρύου αέρα σε κάθε επίπεδο στα ράφια. Αυτό βοηθά στη διατήρηση μιας ομοιόμορφης θερμοκρασίας για να διασφαλιστεί ότι τα τρόφιμά σας διατηρούνται πιο φρέσκα για μεγαλύτερο χρονικό διάστημα.

Ρυθμιζόμενο ράφι



1. Το ύψος των ραφιών μπορεί να ρυθμιστεί ώστε να ταιριάζει στις ανάγκες αποθήκευσης.
2. Για να μετακινήσετε ένα ράφι, αφαιρέστε το πρώτα ανυψώνοντας την οπίσθια άκρη του ① και τραβώντας το έξω ②.
3. Για να το επανατοποθετήσετε, τοποθετήστε το στις υποδοχές και στις δύο πλευρές και σπρώξτε το στην πίσω θέση μέχρι το πίσω μέρος του ραφιού να στερεωθεί στις πλαϊνές σχισμές



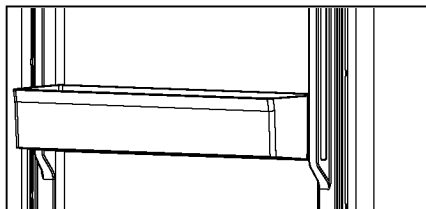
ΕΙΔΟΠΟΪΗΣΗ

Βεβαιωθείτε ότι όλα τα άκρα ενός ραφιού είναι επίπεδα.

Αφαιρούμενο ράφι πόρτας

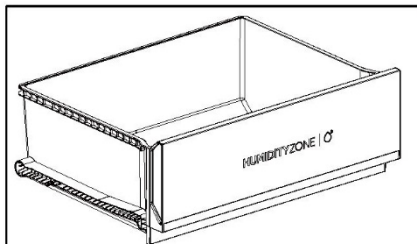
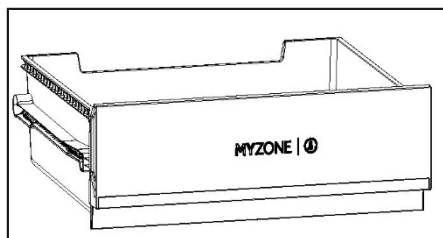
Το ράφι πόρτα μπορεί να αφαιρεθεί για καθαρισμό:

Βάλτε τα χέρια σας σε κάθε πλευρά του ραφιού, σηκώστε το προς τα πάνω (1) και τραβήξτε το προς τα έξω (2). Για την εισαγωγή του ραφιού της πόρτας, τα παραπάνω βήματα πραγματοποιούνται με αντίστροφη σειρά



Συρτάρι My Zone

Για τη χρήση και τη ρύθμιση του θαλάμου My Zone, ελέγξτε την ενότητα ΧΡΗΣΗ (My Zone).



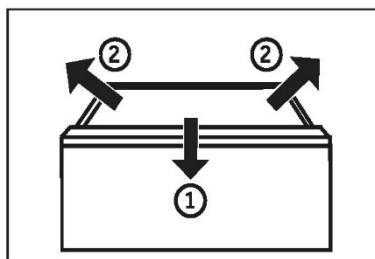
Συρτάρι Humidity Zone

Σε αυτόν τον θάλαμο το επίπεδο υγρασίας ελέγχεται αυτόματα από το σύστημα και είναι κατάλληλο για αποθήκευση φρούτων, λαχανικών, σαλατών κ.λπ.

Αφαιρούμενο συρτάρι

Για να βγάλετε το συρτάρι έξω από τον θάλαμο του ψυγείου ή της κατάψυξης, τραβήξτε προς τα έξω στη μέγιστη δυνατή έκταση (1), ανασηκώστε και αφαιρέστε (2).

Για την εισαγωγή του συρταριού, τα παραπάνω βήματα γίνονται με αντίστροφη σειρά.



Συρτάρι καταψύκτη

Το συρτάρι του καταψύκτη μπορεί να επεκταθεί ευθεία και πλήρως. Τοποθετούνται σε τηλεσκοπική ράγα easy roll. Για να μπορείτε να αποθηκεύετε και να αφαιρείτε άνετα το κατεψυγμένο προϊόν, λόγω του μηχανισμού αυτόματου κλεισίματος της πόρτας, ο χειρισμός είναι εύκολος και μπορείτε να εξοικονομήτε ενέργεια.



ΠΡΟΕΙΔΟΠΟΙΗΣΗ!

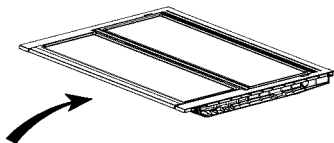
Μην υπερφορτώνετε τα συρτάρια: Μέγιστο φορτίο κάθε συρταριού: 35kg!

Το φως

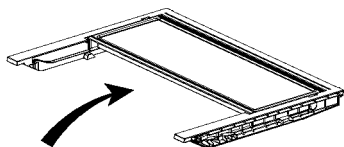
Το εσωτερικό φως LED ανάβει όταν ανοίγει η πόρτα. Η απόδοση των φώτων δεν επηρεάζεται από καμία άλλη ρύθμιση της συσκευής.

Πτυσσόμενο ράφι

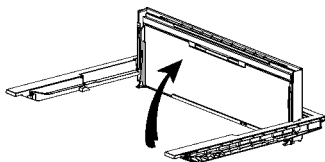
Το πτυσσόμενο ράφι θα επιτρέψει στον χρήστη να τοποθετήσει ψηλά μπουκάλια ή αντικείμενα στα ράφια. Το ράφι μπορούν να αναδιπλωθεί στο πίσω μέρος και ο διαθέσιμος χώρος στο κάτω ράφι θα είναι μεγαλύτερος. Το ράφι μπορεί να αναδιπλωθεί ακολουθώντας τα Βήματα 1~3. Εάν θέλετε να επιστρέψετε στην αρχική θέση, αντιστρέψτε τις ακόλουθες διαδικασίες.



Βήμα 1: Σπρώξτε το μπροστινό μέρος του ραφιού αργά μέχρι το τέλος.



Βήμα 2: Σπρώξτε το ράφι προς τα πάνω αργά στην κατακόρυφη θέση του.



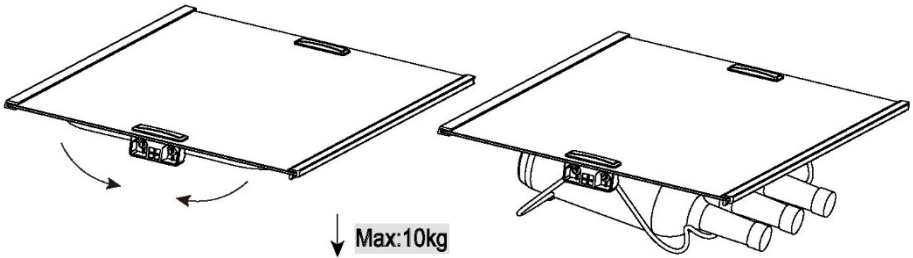
Βήμα 3: Το ράφι είναι κάθετο. Θα εξοικονομήσει χώρο.

Πτυσσόμενο ράφι κρασιών

Για κανονική χρήση

1. Τραβήξτε προς τα κάτω τα υποστηρίγματα του ραφιού κρασιών
2. Τοποθετήστε τα μπουκάλια στο ράφι

Όταν δεν χρησιμοποιείται, το ράφι κρασιών μπορεί να αναδιπλωθεί πάλι για εξοικονόμηση χώρου.





Συμβουλές εξοικονόμησης ενέργειας

- ▶ Βεβαιωθείτε ότι η συσκευή αερίζεται σωστά (δείτε ΕΓΚΑΤΑΣΤΑΣΗ).
- ▶ Μην εγκαθιστάτε τη συσκευή σε σημείο με άμεσο ηλιακό φως ή κοντά σε πηγές θερμότητας (π.χ. σόμπες, θερμάστρες).
- ▶ Αποφύγετε την άσκοπα χαμηλή θερμοκρασία στη συσκευή. Η κατανάλωση ενέργειας αυξάνεται με τη μείωση της θερμοκρασίας ρύθμισης στη συσκευή.
- ▶ Λειτουργίες όπως το SUPER FREEZE καταναλώνουν περισσότερη ενέργεια.
- ▶ Αφήστε το ζεστό φαγητό να κρυώσει πριν το τοποθετήσετε μέσα στη συσκευή.
- ▶ Να ανοίγετε την πόρτα της συσκευής όσο το δυνατόν λιγότερο και για όσο πιο σύντομα γίνεται.
- ▶ Μην γεμίζετε και φορτώνετε υπερβολικά τη συσκευή για να αποφύγετε τη φραγή του αέρα χαμηλά.
- ▶ Αποφύγετε το να υπάρχει αέρας μέσα στη συσκευασία των τροφίμων.
- ▶ Διατηρείτε τα λάστιχα της πόρτας καθαρά, ώστε η πόρτα να κλείνει πάντα σωστά.
- ▶ Αποψύξτε κατεψυγμένα τρόφιμα στον θάλαμο αποθήκευσης ψυγείου ή χρησιμοποιήστε τη λειτουργία D-Frost στο συρτάρι My Zone.
- ▶ Οι περισσότερες ρυθμίσεις εξοικονόμησης ενέργειας απαιτούν το συρτάρι, το δοχείο τροφίμων και τα ράφια να τοποθετούνται στη συσκευή με την εργοστασιακή τους κατάσταση ψύξης και τα τρόφιμα πρέπει να τοποθετηθούν έτσι ώστε να μην εμποδίζεται η έξοδος αέρα του αγωγού.



ΠΡΟΕΙΔΟΠΟΙΗΣΗ!

Αποσυνδέστε τη συσκευή από την τροφοδοσία πριν από τον καθαρισμό.

Καθαρισμός

Καθαρίστε τη συσκευή μόνο όταν υπάρχουν αποθηκευμένα λίγα ή καθόλου τρόφιμα. Η συσκευή πρέπει να καθαρίζεται κάθε τέσσερις εβδομάδες για καλή συντήρηση και για την αποφυγή αποθηκευμένων τροφίμων με δυσάρεστες οσμές.



ΠΡΟΕΙΔΟΠΟΙΗΣΗ!

- ▶ Μην καθαρίζετε τη συσκευή με σκληρές βούρτσες, συρμάτινες βούρτσες, σκόνη απορρυπαντικού, βενζίνη, οξικό αμύλιο, ακετόνη και παρόμοια οργανικά διαλύματα, όξινα ή αλκαλικά διαλύματα. Καθαρίστε με ειδικό απορρυπαντικό ψυγείου για να αποφύγετε ζημιές.
- ▶ Μην ψεκάζετε ή ξεπλένετε τη συσκευή κατά τον καθαρισμό.
- ▶ Μην χρησιμοποιείτε σπρέι νερού ή ατμό για να καθαρίσετε τη συσκευή.
- ▶ Μην καθαρίζετε τα κρύα γυάλινα ράφια με ζεστό νερό. Η απότομη αλλαγή θερμοκρασίας μπορεί να προκαλέσει το σπάσιμο του γυαλιού.
- ▶ Μην αγγίζετε την εσωτερική επιφάνεια του χώρου αποθήκευσης του καταψύκτη, ειδικά με βρεγμένα χέρια, καθώς τα χέρια σας μπορεί να παγώσουν στην επιφάνεια.
- ▶ Σε περίπτωση θέρμανσης ελέγξτε την κατάσταση των κατεψυγμένων αγαθών.



- ▶ Διατηρείτε πάντα το λάστιχο της πόρτας καθαρό.
- ▶ Καθαρίστε το εσωτερικό και το περίβλημα της συσκευής με ένα σφουγγάρι βρεγμένο σε ζεστό νερό και ουδέτερο απορρυπαντικό.
- ▶ 1. Τρίψτε το εσωτερικό και το εξωτερικό του ψυγείου, συμπεριλαμβανομένων των λάστιχων της πόρτας, της σχάρας της πόρτας, των γυάλινων ραφιών, των κουτιών και ούτω καθεξής, με μια μαλακή πετσέτα ή ένα σφουγγάρι βουτηγμένο σε ζεστό νερό (μπορείτε να προσθέσετε ουδέτερο απορρυπαντικό στο ζεστό νερό).
- ▶ 2. Εάν χυθεί υγρό, αφαιρέστε όλα τα μολυσμένα μέρη, ξεπλύνετε απευθείας με το νερό ροής, στεγνώστε και τοποθετήστε το πίσω στο ψυγείο.
- ▶ 3. Εάν υπάρχει χυμένη κρέμα (όπως η κρέμα γάλακτος, το παγωτό που λιώνει), αφαιρέστε όλα τα μολυσμένα μέρη, βάλτε στο ζεστό νερό με περίπου 40 °C για κάποιο χρονικό διάστημα, στη συνέχεια ξεπλύνετε με το νερό ροής, στεγνώστε και τοποθετήστε το ξανά στο ψυγείο.
- ▶ 4. Σε περίπτωση που κάποιο μικρό μέρος ή εξάρτημα κολλήσει μέσα στο ψυγείο (ανάμεσα σε ράφια ή συρτάρια), χρησιμοποιήστε μια μικρή μαλακή βούρτσα για να το απελευθερώσετε. Εάν δεν μπορέσετε να φτάσετε το εξάρτημα, επικοινωνήστε με την υπηρεσία Haier



- ▶ Ξεπλύνετε και στεγνώστε με μαλακό πανί.
- ▶ Μην καθαρίζετε κανένα από τα μέρη της συσκευής σε πλυντήριο πιάτων.
- ▶ Αφήστε τουλάχιστον 5 λεπτά πριν από την επανεκκίνηση της συσκευής, καθώς η συχνή εκκίνηση μπορεί να προκαλέσει ζημιά στον συμπιεστή.

Απόψυξη

Η απόψυξη του ψυγείου και του θαλάμου κατάψυξης γίνεται αυτόματα. Δεν απαιτείται χειροκίνητη λειτουργία.

Αντικατάσταση των λαμπτήρων LED



ΠΡΟΕΙΔΟΠΟΙΗΣΗ!

Μην αντικαθιστάτε μόνοι σας τη λυχνία LED, πρέπει να αντικατασταθεί μόνο από τον κατασκευαστή ή από τον εξουσιοδοτημένο αντιπρόσωπο σέρβις.

Ο λαμπτήρας υιοθετεί το LED ως πηγή φωτός του, που χαρακτηρίζεται για τη χαμηλή κατανάλωση ενέργειας και τη μακριά διάρκεια ζωής. Εάν υπάρχει κάποια ανωμαλία, επικοινωνήστε με την εξυπηρέτηση πελατών. Δείτε την ενότητα ΕΞΥΠΗΡΕΤΗΣΗ ΠΕΛΑΤΩΝ.

Παράμετροι του λαμπτήρα:

Εξάρτημα	Λάμπα LED
Τάση	12V
Μέγιστη ισχύς	1,5 W
Προδ. LED	Λευκό-2835
Κατηγορία απόδοσης LED	G
Θερμοκρασία χρήσης	-40~80°C

HDPW7620*, HTW7620*

Εξάρτημα	Λάμπα LED
Τάση	12V
Μέγιστη ισχύς	8W
Προδ. LED	Λευκό-4014
Κατηγορία απόδοσης LED	G
Θερμοκρασία χρήσης	-30~60°C

Μη χρήση για παρατεταμένο χρονικό διάστημα

Εάν η συσκευή δεν χρησιμοποιηθεί για μεγάλο χρονικό διάστημα και δεν σκοπεύετε να χρησιμοποιήσετε τη λειτουργία Holiday για το ψυγείο:

Αφαιρέστε τα τρόφιμα.

Αποσυνδέστε το καλώδιο τροφοδοσίας.

Καθαρίστε τη συσκευή, όπως περιγράφεται παραπάνω.

Διατηρήστε τις πόρτες ανοικτές για να αποτρέψετε τη δημιουργία δυσοσμίας στο εσωτερικό.



ΕΙΔΟΠΟΪΗΣΗ

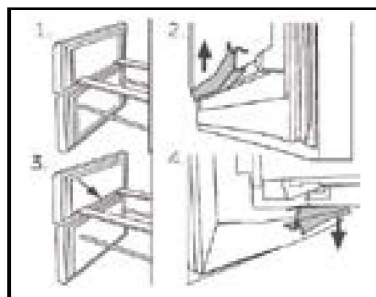
Απενεργοποιήστε τη συσκευή μόνο εάν είναι απολύτως απαραίτητο.

Αφαιρούμενες βοηθητικές τσιμούχες πόρτας

Υπάρχουν έξι βοηθητικές τσιμούχες πόρτας στα επάνω και κάτω συρτάρια καταψύκτη.

1. Εντοπίστε τις πέντε υποδεικνυόμενες τσιμούχες πόρτας στα επάνω και κάτω συρτάρια καταψύκτη.
2. Βεβαιωθείτε ότι τα καμπυλωτά τμήματα των τσιμουχών είναι στραμμένα προς τα μέσα κατά τη σύνδεση.
3. Εντοπίστε την κάτω τσιμούχα του επάνω συρταριού όπως υποδεικνύεται.
4. Βεβαιωθείτε ότι το καμπυλωτό τμήμα αυτής της τσιμούχας είναι στραμμένο προς τα κάτω κατά τη σύνδεση.

Μπορείτε να προμηθευτείτε αυτές τις τσιμούχες καθώς και τις τσιμούχες περιστρεφόμενης πόρτας/συρταριού μέσω της εξυπηρέτησης πελατών (βλ. κάρτα εγγύησης).



Μετακίνηση της συσκευής

1. Αφαιρέστε όλα τα τρόφιμα και αποσυνδέστε τη συσκευή.
2. Ασφαλίστε τα ράφια και τα άλλα κινητά μέρη στο ψυγείο και στον καταψύκτη με κολλητική ταινία.
3. Μην γέρνετε το ψυγείο περισσότερο από 45° ώστε να αποφύγετε τη ζημιά στο σύστημα ψύξης.



ΠΡΟΕΙΔΟΠΟΙΗΣΗ!

- ▶ Μην σηκώνετε τη συσκευή από τις λαβές της.
- ▶ Μην τοποθετείτε ποτέ τη συσκευή οριζόντια στο έδαφος.



Πολλά προβλήματα που παρουσιάζονται θα μπορούσαν να επιλυθούν από τον εαυτό σας χωρίς ειδική εμπειρογνώμοσύνη. Σε περίπτωση προβλήματος, ελέγξτε όλες τις εμφανιζόμενες δυνατότητες και ακολουθήστε τις παρακάτω οδηγίες προτού επικοινωνήσετε με το τμήμα εξυπηρέτησης πελατών μετά την πώληση. Δείτε ΕΞΥΠΗΡΕΤΗΣΗ ΠΕΛΑΤΩΝ.



ΠΡΟΕΙΔΟΠΟΙΗΣΗ!

- ▶ Πριν από τη συντήρηση, απενεργοποιήστε τη συσκευή και αποσυνδέστε το φις από την πρίζα.
- ▶ Ο ηλεκτρικός εξοπλισμός πρέπει να συντηρείται μόνο από εξειδικευμένους ηλεκτρολόγους, επειδή οι ακατάλληλες επισκευές μπορούν να προκαλέσουν σημαντικές επακόλουθες ζημιές.
- ▶ Μια κατεστραμμένη τροφοδοσία θα πρέπει να αντικατασταθεί από τον κατασκευαστή ή τον αντιπρόσωπο του σέρβις ή παρόμοια εξουσιοδοτημένα πρόσωπα, προς αποφυγή του κινδύνου.

Πίνακας αντιμετώπισης προβλημάτων

Πρόβλημα	Πιθανή αιτία	Πιθανή λύση
Ο συμπιεστής δεν λειτουργεί.	Το φις ρεύματος δεν είναι συνδεδεμένο στην πρίζα δικτύου.	Συνδέστε το φις ρεύματος.
	Η συσκευή βρίσκεται στον κύκλο απόψυξης.	Αυτό είναι φυσιολογικό για αυτόματη απόψυξη.
Η συσκευή λειτουργεί συχνά ή λειτουργεί για πολύ μεγάλο χρονικό διάστημα.	Η εσωτερική και η εξωτερική θερμοκρασία είναι πολύ υψηλή.	Είναι φυσιολογικό η συσκευή να λειτουργεί περισσότερο.
	Η συσκευή απενεργοποιήθηκε για ένα χρονικό διάστημα.	Κανονικά, χρειάζονται 8 έως 12 ώρες για να κρυώσει εντελώς η συσκευή.
	Η πόρτα / συρτάρι της συσκευής δεν είναι κλειστά.	Κλείστε την πόρτα/συρτάρι και βεβαιωθείτε ότι η συσκευή βρίσκεται σε οριζοντιωμένη επιφάνεια και ότι δεν υπάρχουν τρόφιμα ή δοχεία που να συγκρατούν την πόρτα.
	Η πόρτα/το συρτάρι ανοίγει πολύ συχνά ή για μεγάλα χρονικά διαστήματα.	Μην ανοίγετε την πόρτα / το συρτάρι πολύ συχνά.
	Η ρύθμιση θερμοκρασίας για την κατάψυξη είναι πολύ χαμηλή.	Ρυθμίστε τη θερμοκρασία ψηλότερα μέχρι να επιτευχθεί μια ικανοποιητική θερμοκρασία ψύξης. Χρειάζονται 24 ώρες για να σταθεροποιηθεί η θερμοκρασία ψύξης.
	Η φλάντζα πόρτας/συρταριού είναι βρώμικη, φθαρμένη, ραγισμένη ή αταίριαστη.	Καθαρίστε την τσιμούχα πόρτας/συρταριού ή αντικαταστήστε την μέσω της εξυπηρέτησης πελατών.
Η απαιτούμενη κυκλοφορία του αέρα δεν είναι εγγυημένη.	Εξασφαλίστε επαρκή αερισμό.	

Πρόβλημα	Πιθανή αιτία	Πιθανή λύση
Το εσωτερικό του ψυγείου είναι βρώμικο ή/και μυρίζει.	Το εσωτερικό του ψυγείου χρειάζεται καθαρισμό.	Καθαρίστε το εσωτερικό του ψυγείου.
	Έχουν αποθηκευτεί στο ψυγείο τρόφιμα με έντονη οσμή.	Τυλίξτε καλά το φαγητό.
Δεν υπάρχει αρκετή ψύξη στο εσωτερικό της συσκευής.	Η θερμοκρασία είναι πολύ υψηλή.	Επαναφέρετε τη θερμοκρασία
	Έχουν αποθηκευτεί πολύ ζεστά τρόφιμα.	Πάντα να κρυώνετε τα τρόφιμα πριν την αποθήκευσή τους.
	Πάρα πολύ φαγητό έχει αποθηκευτεί ταυτόχρονα.	Να αποθηκεύετε πάντα μικρές ποσότητες τροφίμων.
	Τα τρόφιμα είναι πολύ κοντά το ένα στο άλλο.	Αφήστε ένα κενό μεταξύ πολλών τροφίμων που επιτρέπουν τη ροή του αέρα.
	Η πόρτα / συρτάρια της συσκευής δεν είναι κλειστά.	Κλείστε την πόρτα/το συρτάρι.
	Η πόρτα/το συρτάρι ανοίγει πολύ συχνά ή για μεγάλα χρονικά διαστήματα.	Μην ανοίγετε την πόρτα / το συρτάρι πολύ συχνά.
Υπάρχει αρκετή ψύξη στο εσωτερικό της συσκευής.	Η θερμοκρασία είναι πολύ χαμηλή.	Επαναφέρετε τη θερμοκρασία.
	Η λειτουργία Super Freeze είναι ενεργοποιημένη ή εκτελείται παρατεταμένα.	Σβήστε τη λειτουργία Super Freeze.
Σχηματίζεται υγρασία στο εσωτερικό του θαλάμου ψυγείου.	Το κλίμα είναι πολύ ζεστό και πολύ υγρό.	Αυξήστε τη θερμοκρασία.
	Η πόρτα / συρτάρια της συσκευής δεν είναι κλειστά.	Κλείστε την πόρτα/το συρτάρι.
	Η πόρτα/το συρτάρι ανοίγει πολύ συχνά ή για μεγάλα χρονικά διαστήματα.	Μην ανοίγετε την πόρτα / το συρτάρι πολύ συχνά.
	Τα δοχεία τροφίμων ή τα υγρά παραμένουν ανοιχτά.	Αφήστε τα ζεστά τρόφιμα να κρυώσουν σε θερμοκρασία δωματίου και καλύψτε τα τρόφιμα και τα υγρά.
Η υγρασία συσσωρεύεται στα ψυγεία έξω από την επιφάνεια ή ανάμεσα στις πόρτες / την πόρτα και τα συρτάρια.	Το κλίμα είναι πολύ ζεστό και πολύ υγρό.	Αυτό είναι φυσιολογικό σε υγρό κλίμα και θα αλλάξει όταν μειώνεται η υγρασία.
	Η πόρτα / το συρτάρι δεν είναι κλεισμένα σφιχτά.	Βεβαιωθείτε ότι η πόρτα/το συρτάρι είναι καλά κλειστά.
Τα εικονίδια στην οθόνη αναβοσβήνουν εναλλάξ και το σύστημα ψύξης δεν λειτουργεί.	Είναι σε λειτουργία demo	Το ψυγείο είναι συνδεδεμένο στον ρευματοδότη Πατήστε παρατεταμένα το κουμπί "ZONE" και κάντε κλικ στο κουμπί "Eco Mode" πέντε φορές, στη συνέχεια τα εικονίδια θα σταματήσουν να αναβοσβήνουν εναλλάξ.

Πρόβλημα	Πιθανή αιτία	Πιθανή λύση
Ισχυρός πάγος και παγετός στο διαμέρισμα του καταψύκτη.	Τα τρόφιμα δεν είχαν συσκευαστεί ικανοποιητικά.	Συσκευάζετε πάντα καλά τα τρόφιμα.
	Η πόρτα / συρτάρια της συσκευής δεν είναι κλειστά.	Κλείστε την πόρτα/το συρτάρι.
	Η πόρτα/το συρτάρι ανοίγει πολύ συχνά ή για μεγάλα χρονικά διαστήματα.	Μην ανοίγετε την πόρτα / το συρτάρι πολύ συχνά.
	Η φλάντζα πόρτας/συρταριού είναι βρώμικη, φθαρμένη, ραγισμένη ή αιτάριαστη.	Καθαρίστε την τσιμούχα πόρτας/συρταριού ή αντικαταστήστε την με νέα.
	Κάτι στο εσωτερικό αποτρέπει στην πόρτα/συρτάρι να κλείσει σωστά.	Επανατοποθετήστε τα ράφια, τα ράφια πόρτας, ή τα εσωτερικά δοχεία για να επιτραπεί το κλείσιμο της πόρτας/ συρταριού.
Η συσκευή κάνει αφύσικους ήχους.	Η συσκευή δεν βρίσκεται σε οριζοντιωμένο έδαφος.	Ρυθμίστε τα πόδια για να ισιώσετε τη συσκευή.
	Η συσκευή αγγίζει κάποιο αντικείμενο γύρω της.	Αφαιρέστε τα αντικείμενα γύρω από τη συσκευή.
Ένας ελαφρύς ήχος πρέπει να ακούγεται παρόμοιος με αυτόν του ρέοντος νερού.	Αυτό είναι φυσιολογικό.	/
Θα ακούσετε ένα ηχητικό σήμα συναγερμού.	Η πόρτα του χώρου αποθήκευσης ψυγείου είναι ανοιχτή.	Κλείστε την πόρτα ή απενεργοποιήστε το συναγερμό χειροκίνητα.
Θα ακούσετε ένα αχνό βουητό.	Το σύστημα κατά της συμπίκνωσης λειτουργεί.	Αυτό αποτρέπει τη συμπίκνωση και είναι φυσιολογικό.
Το σύστημα εσωτερικού φωτισμού ή ψύξης δεν λειτουργεί.	Το φως ρεύματος δεν είναι συνδεδεμένο στην πρίζα δικτύου	Συνδέστε το φως ρεύματος.
	Η παροχή ρεύματος δεν είναι άθικτη.	Ελέγξτε την παροχή ηλεκτρικού ρεύματος στο δωμάτιο. Καλέστε την τοπική εταιρεία ηλεκτρισμού!
	Η λυχνία LED είναι εκτός λειτουργίας.	Καλέστε την υπηρεσία για αλλαγή της λυχνίας.
Οι πλευρές του ντουλαπιού και του λάστιχου της πόρτας θερμαίνονται.	Αυτό είναι φυσιολογικό.	/
Δεν βγαίνει νερό από το στόμιο του διανομέα νερού	Το κλειδίμα δεν είναι απενεργοποιημένο.	Απενεργοποιήστε το κλειδίμα



Διακοπή ρεύματος

- ▶ Σε περίπτωση διακοπής ρεύματος, τα τρόφιμα πρέπει να παραμένουν με ασφάλεια κρύα και σε συνθήκες ψύξης για περίπου 13 ώρες. Ακολουθήστε αυτές τις συμβουλές κατά τη διάρκεια παρατεταμένης διακοπής ρεύματος, ειδικά το καλοκαίρι.
- ▶ Ανοίγεται την πόρτα / συρτάρια όσο το δυνατόν λιγότερες φορές.
- ▶ Μην βάζετε επιπλέον τρόφιμα στη συσκευή κατά τη διάρκεια διακοπής ρεύματος.
- ▶ Εάν δοθεί προηγούμενη ειδοποίηση για διακοπή ρεύματος και η διάρκεια διακοπής είναι μεγαλύτερη από 13 ώρες, φτιάξτε λίγους κύβους πάγου και τοποθετήστε τους σε ένα δοχείο στο ανώτερο ράφι του θαλάμου ψυγείου.
- ▶ Αμέσως μετά τη διακοπή απαιτείται ο έλεγχος των τροφίμων.
- ▶ Καθώς η θερμοκρασία στο ψυγείο θα αυξηθεί κατά τη διάρκεια διακοπής ρεύματος ή άλλης βλάβης, η περίοδος αποθήκευσης και η βρώσιμη ποιότητα των τροφίμων θα μειωθούν. Οποιοδήποτε φαγητό αποψύχεται πρέπει να καταναλώνεται ή να μαγειρεύεται και να καταψύχεται (όταν επιτρέπεται αυτή η διαδικασία) λίγο μετά για την αποφυγή κινδύνων για την υγεία.



ΕΙΔΟΠΟΪΗΣΗ

Λειτουργία μνήμης κατά τη διακοπή ρεύματος

Μετά την επαναφορά του ρεύματος, η συσκευή συνεχίζει με τις ρυθμίσεις που είχαν ρυθμιστεί πριν από τη διακοπή ρεύματος.

Για να επικοινωνήσετε με την τεχνική βοήθεια, επισκεφθείτε τον ιστότοπό μας: <https://corporate.haier-europe.com/en/>

Στην ενότητα "ιστότοπος", επιλέξτε τη μάρκα του προϊόντος σας και τη χώρα σας. Θα ανακατευθυνθείτε στον συγκεκριμένο ιστότοπο όπου μπορείτε να βρείτε τον αριθμό τηλεφώνου και άλλους τρόπους για να επικοινωνήσετε με την τεχνική υποστήριξη.

Αποσυσκευασία



ΠΡΟΕΙΔΟΠΟΙΗΣΗ!

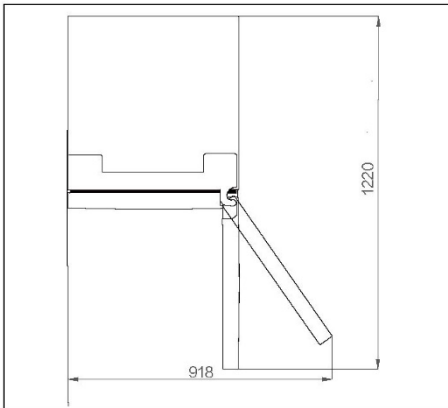
- ▶ Η συσκευή είναι βαριά. Πάντοτε θα πρέπει να χειρίζονται τη συσκευή δύο άτομα τουλάχιστον.
- ▶ Κρατήστε όλα τα υλικά συσκευασίας μακριά από τα παιδιά και απορρίψτε τα με φιλικό προς το περιβάλλον τρόπο.
- ▶ Βγάλε τη συσκευή από τη συσκευασία.
- ▶ Αφαιρέστε όλα τα υλικά συσκευασίας.

Περιβαλλοντικές συνθήκες

Η θερμοκρασία δωματίου θα πρέπει να είναι πάντα μεταξύ 10°C και 43°C, καθώς μπορεί να επηρεάσει τη θερμοκρασία στο εσωτερικό της συσκευής και την κατανάλωση ενέργειας της. Μην εγκαθιστάτε τη συσκευή κοντά σε άλλες συσκευές που εκπέμπουν θερμότητα (φούρνους, ψυγεία) χωρίς μόνωση.

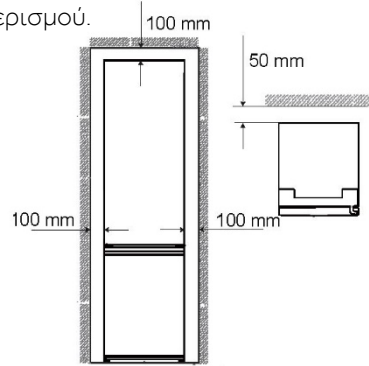
Απαιτήσεις χώρου

Ελάχιστος χώρος όταν η πόρτα είναι ανοικτή.



Διατομή εξαερισμού

Για να επιτευχθεί επαρκής αερισμός της συσκευής για λόγους ασφαλείας, πρέπει να τηρούνται οι πληροφορίες των απαιτούμενων διατομών εξαερισμού.

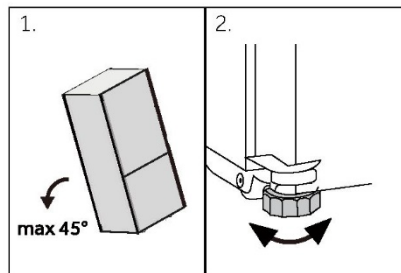


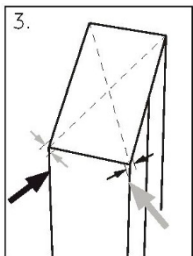
Ευθυγράμμιση της συσκευής

Η συσκευή πρέπει να τοποθετηθεί σε επίπεδη και συμπαγή επιφάνεια.

1. Γείρετε ελαφρά το ψυγείο προς τα πίσω.
2. Ρυθμίστε τα πόδια στο επιθυμητό επίπεδο.

Βεβαιωθείτε ότι η απόσταση από τον τοίχο στην πλευρά του μεντεσέ είναι τουλάχιστον 100 mm για να ανοίξει σωστά η πόρτα.

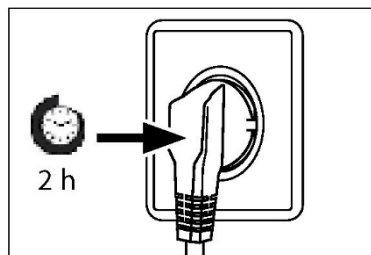




1. Η σταθερότητα μπορεί να ελεγχθεί χτυπώντας εναλλάξ τις διαγώνιες πλευρές. Η ελαφριά ταλάντωση πρέπει να είναι ίδια και προς τις δύο κατευθύνσεις. Διαφορετικά το πλαίσιο μπορεί να στρεβλώσει, και το αποτέλεσμα μπορεί να είναι πιθανές διαρροές στις σφραγίδες της πόρτας. Μια χαμηλή κλίση προς τα πίσω διευκολύνει το κλείσιμο των θυρών.

i ΕΙΔΟΠΟΪΗΣΗ

Για μια συσκευή ελεύθερης τοποθέτησης: αυτή η ψυκτική συσκευή δεν προορίζεται για χρήση ως εντοιχιζόμενη συσκευή



Χρόνος αναμονής

Το λάδι λίπανσης χωρίς συντήρηση βρίσκεται στην κάψουλα του συμπιεστή. Αυτό το λάδι μπορεί να περάσει από το κλειστό σύστημα σωλήνων κατά τη διάρκεια της κεκλιμένης μεταφοράς. Πριν συνδέσετε τη συσκευή στην παροχή ρεύματος θα πρέπει να περιμένετε τουλάχιστον 2 ώρες, ώστε το λάδι να επιστρέψει στην κάψουλα.

Ηλεκτρική σύνδεση

Πριν από κάθε σύνδεση ελέγξτε αν:

- ▶ η τροφοδοσία ρεύματος, η πρίζα και η ασφάλεια είναι κατάλληλα σύμφωνα με την πινακίδα ονομαστικών στοιχείων.
- ▶ η πρίζα είναι γειωμένη και δεν υπάρχει πολλαπλή πρίζα ή επέκταση.
- ▶ το βύσμα τροφοδοσίας και η πρίζα είναι σύμφωνα με.

Συνδέστε το βύσμα σε μια σωστά εγκατεστημένη οικιακή πρίζα.



ΠΡΟΕΙΔΟΠΟΙΗΣΗ!

Για να αποφύγετε τους κινδύνους, ένα κατεστραμμένο καλώδιο τροφοδοσίας πρέπει να αντικατασταθεί από την εξυπηρέτηση πελατών (βλ. κάρτα εγγύησης).



Αντιστρεψιμότητα πόρτας

Πριν συνδέσετε τη συσκευή στην τροφοδοσία ρεύματος, θα πρέπει να ελέγξετε εάν το άνοιγμα της πόρτας πρέπει να αλλάξει από δεξιά (όπως παραδίδεται) προς αριστερά, εάν αυτό απαιτείται από τη θέση εγκατάστασης και τη χρησιμότητα.



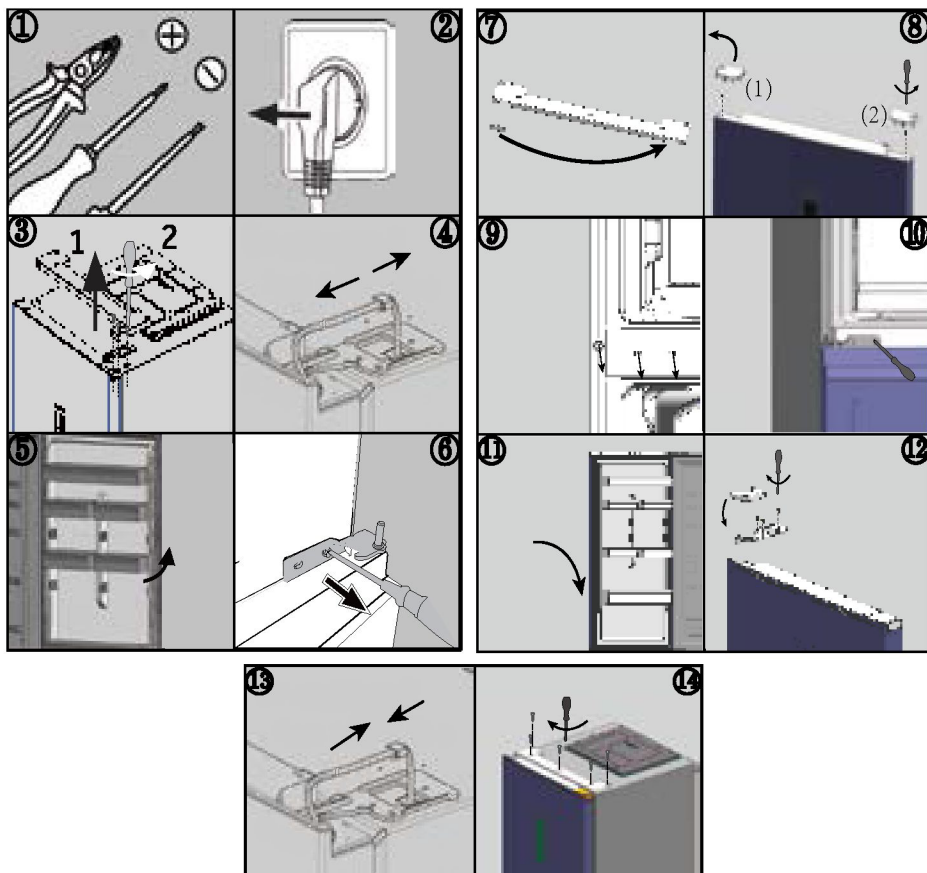
ΠΡΟΕΙΔΟΠΟΙΗΣΗ!

- ▶ Η συσκευή είναι βαριά. Χρειάζεστε δύο άτομα για να πραγματοποιήσετε την αντιστρεψιμότητα της πόρτας.
- ▶ Πριν από οποιαδήποτε λειτουργία, αποσυνδέστε πρώτα τη συσκευή από την πρίζα
- ▶ Μην γέρνετε τη συσκευή περισσότερο από 45° για να αποφύγετε ζημιά στο σύστημα ψύξης.

Βήματα συναρμολόγησης

1. Παρέχετε τα απαραίτητα εργαλεία.
2. Αποσυνδέστε τη συσκευή από την πρίζα.
3. Αφαιρέστε το κάλυμμα του επάνω μεντεσέ 1 και ξεβιδώστε τον επάνω μεντεσέ (τρεις βίδες) στη δεξιά πλευρά 2.
4. Αποσυνδέστε το καλώδιο σύνδεσης
5. Ανασηκώστε προσεκτικά τη λασκαρισμένη πόρτα του ψυγείου από τον μεσαίο μεντεσέ.
6. Αφαιρέστε τον μεσαίο μεντεσέ.
7. Αφαιρέστε το μικρό κάλυμμα του μπροστινού πάνελ από την αριστερή προς τη δεξιά πλευρά.
8. Γυρίστε την πόρτα ανάποδα και ξεβιδώστε το κάλυμμα (1). Βγάλτε το νέο κάλυμμα (2) από τον σάκο παρελκόμενων και βιδώστε το στην απέναντι πλευρά.
9. Αλλάξτε τις θέσεις των τυφλών πωμάτων και της βίδας στο πλάι.
10. Βιδώστε τον μεσαίο μεντεσέ στην αριστερή πλευρά της συσκευής. Προσέξτε να αντιστρέψετε τον άξονα περιστροφής του μεσαίου μεντεσέ, διασφαλίζοντας ότι η πλευρά με το παρέμβυσμα είναι στραμμένη προς τα πάνω
11. Σηκώστε προσεκτικά την επάνω πόρτα στον μεσαίο μεντεσέ. Και βεβαιωθείτε ότι ο άξονας εφαρμόζει στην υποδοχή μεντεσέ της κάτω πόρτας.
12. Βγάλτε τον καινούργιο επάνω μεντεσέ και το κάλυμμα μεντεσέ από τον σάκο παρελκόμενων. Περάστε το καλώδιο σύνδεσης μέσα από τον επάνω μεντεσέ και στερεώστε τον επάνω μεντεσέ με τρεις βίδες στην αριστερή πλευρά της συσκευής. Και μετά τοποθετήστε το κάλυμμα του μεντεσέ πάνω από τον μεντεσέ.
13. Συνδέστε το καλώδιο σύνδεσης.
14. Αντικαταστήστε το μπροστινό πάνελ και στερεώστε το με πέντε βίδες.

Μετά την αλλαγή της πόρτας, ελέγξτε εάν οι τσιμούχες πόρτας έχουν τοποθετηθεί σωστά στο περίβλημα και όλες οι βίδες είναι καλά σφιγμένες.



Θερμοκρασίες περιβάλλοντος

Εκτεταμένη εύκρατη: αυτή η ψυκτική συσκευή προορίζεται να χρησιμοποιηθεί σε θερμοκρασίες περιβάλλοντος από 10°C έως 32°C

Εύκρατη: αυτή η ψυκτική συσκευή προορίζεται να χρησιμοποιηθεί σε θερμοκρασίες περιβάλλοντος από 16°C έως 32°C.

Υποτροπική: αυτή η ψυκτική συσκευή προορίζεται να χρησιμοποιηθεί σε θερμοκρασίες περιβάλλοντος από 16°C έως 38°C.

Τροπική: αυτή η ψυκτική συσκευή προορίζεται να χρησιμοποιηθεί σε θερμοκρασίες περιβάλλοντος από 16°C έως 43°C.

Παράμετροι προϊόντος σύμφωνα με τον κανονισμό (ΕΕ)2019/2016

Βάσει αποτελεσμάτων τυποποιημένων δοκιμών για 24 ώρες. Η πραγματική κατανάλωση ενέργειας εξαρτάται από τον τρόπο χρήσης της συσκευής και από τη θέση που βρίσκεται

Μοντέλο	HTW5618DN*	HTW5620DN*	HTW5618EN*
Τύπος ψυκτικής συσκευής	Ψυγείοκαταψύκτης	Ψυγείοκαταψύκτης	Ψυγείοκαταψύκτης
Κατηγορία ενεργειακής απόδοσης	D	D	E
Ετήσια κατανάλωση ενέργειας (kWh/έτος)	217	226	271
Όγκος θαλάμου ψυγείου (L)	201	255	201
Όγκος θαλάμου καταψύκτη (L)	125	125	125
Όγκος θαλάμου ψύξης (L)	34	34	34
Κατηγορία κατάψυξης	4 αστέρων	4 αστέρων	4 αστέρων
Τύπος απόψυξης	Αυτόματη απόψυξη	Αυτόματη απόψυξη	Αυτόματη απόψυξη
Χρόνος αύξησης θερμοκρασίας (ώρες)	13	13	11
Χωρητικότητα κατάψυξης (κιλά/24 ώρες)	10.0	10.0	10.0
Κλιματική κλάση	SN.N.ST.T	SN.N.ST.T	SN.N.ST.T
Κατηγορία εκπομπών θορύβου και εκπομπών αερόφερτου ακουστικού θορύβου (dB(A) re 1pW)	B(35)	B(35)	B(35)



Μοντέλο	HTW5618CN*	HTW5620CN*	HTW5620EN*
Τύπος ψυκτικής συσκευής	Ψυγείοκαταψύκτης	Ψυγείοκαταψύκτης	Ψυγείοκαταψύκτης
Κατηγορία ενεργειακής απόδοσης	C	C	E
Ετήσια κατανάλωση ενέργειας (kWh/έτος)	173	181	283
Όγκος θαλάμου ψυγείου (L)	201	255	255
Όγκος θαλάμου καταψύκτη (L)	125	125	125
Όγκος θαλάμου ψύξης (L)	34	34	34
Κατηγορία κατάψυξης	4 αστέρων	4 αστέρων	4 αστέρων
Τύπος απόψυξης	Αυτόματη απόψυξη	Αυτόματη απόψυξη	Αυτόματη απόψυξη
Χρόνος αύξησης θερμοκρασίας (ώρες)	13	13	11
Χωρητικότητα κατάψυξης (κιλά/24 ώρες)	10.0	10.0	10.0
Κλιματική κλάση	SN.N.ST.T	SN.N.ST.T	SN.N.ST.T
Κατηγορία εκπομπών θορύβου και εκπομπών αερόφερτου ακουστικού θορύβου (dB(A) re 1pW)	B(35)	B(35)	B(35)



Μοντέλο	HDPW5618DN*	HDPW5620DN* HDPW3620DN*	HTW7620CN*
Τύπος ψυκτικής συσκευής	Ψυγείοκαταψύκτης	Ψυγείοκαταψύκτης	Ψυγείοκαταψύκτης
Κατηγορία ενεργειακής απόδοσης	D	D	C
Ετήσια κατανάλωση ενέργειας (kWh/έτος)	214	220	181
Όγκος θαλάμου ψυγείου (L)	201	255	255
Όγκος θαλάμου καταψύκτη (L)	117	117	125
Όγκος θαλάμου ψύξης (L)	34	34	34
Κατηγορία κατάψυξης	4 αστέρων	4 αστέρων	4 αστέρων
Τύπος απόψυξης	Αυτόματη απόψυξη	Αυτόματη απόψυξη	Αυτόματη απόψυξη
Χρόνος αύξησης θερμοκρασίας (ώρες)	13	13	13
Χωρητικότητα κατάψυξης (κιλά/24 ώρες)	10.0	10.0	10.0
Κλιματική κλάση	SN.N.ST.T	SN.N.ST.T	SN.N.ST.T
Κατηγορία εκπομπών θορύβου και εκπομπών αερόφερτου ακουστικού θορύβου (dB(A) re 1pW)	B(35)	B(35)	B(35)



Μοντέλο	HDPW3618DN*	HDPW3620CN*	HTW3620DN*
Τύπος ψυκτικής συσκευής	Ψυγείοκαταψύκτης	Ψυγείοκαταψύκτης	Ψυγείοκαταψύκτης
Κατηγορία ενεργειακής απόδοσης	D	C	D
Ετήσια κατανάλωση ενέργειας (kWh/έτος)	214	176	226
Όγκος θαλάμου ψυγείου (L)	201	255	255
Όγκος θαλάμου καταψύκτη (L)	117	117	125
Όγκος θαλάμου ψύξης (L)	34	34	34
Κατηγορία κατάψυξης	4 αστέρων	4 αστέρων	4 αστέρων
Τύπος απόψυξης	Αυτόματη απόψυξη	Αυτόματη απόψυξη	Αυτόματη απόψυξη
Χρόνος αύξησης θερμοκρασίας (ώρες)	13	13	13
Χωρητικότητα κατάψυξης (κιλά/24 ώρες)	10.0	10.0	10.0
Κλιματική κλάση	SN.N.ST.T	SN.N.ST.T	SN.N.ST.T
Κατηγορία εκπομπών θορύβου και εκπομπών αερόφερτου ακουστικού θορύβου (dB(A) re 1pW)	B(35)	B(35)	B(35)



Μοντέλο	HDPW5618CN*	HDPW5620CN*	HDPW5620AN* HDPW7620AN*
Τύπος ψυκτικής συσκευής	Ψυγείοκαταψύκτης	Ψυγείοκαταψύκτης	Ψυγείοκαταψύκτης
Κατηγορία ενεργειακής απόδοσης	C	C	A
Ετήσια κατανάλωση ενέργειας (kWh/έτος)	171	176	114
Όγκος θαλάμου ψυγείου (L)	201	255	255
Όγκος θαλάμου καταψύκτη (L)	117	117	120
Όγκος θαλάμου ψύξης (L)	34	34	34
Κατηγορία κατάψυξης	4 αστέρων	4 αστέρων	4 αστέρων
Τύπος απόψυξης	Αυτόματη απόψυξη	Αυτόματη απόψυξη	Αυτόματη απόψυξη
Χρόνος αύξησης θερμοκρασίας (ώρες)	13	13	16
Χωρητικότητα κατάψυξης (κιλά/24 ώρες)	10.0	10.0	10.0
Κλιματική κλάση	SN.N.ST.T	SN.N.ST.T	SN.N.ST.T
Κατηγορία εκπομπών θορύβου και εκπομπών αερόφερτου ακουστικού θορύβου (dB(A) re 1pW)	B(35)	B(35)	B(35)



Μοντέλο	HDPW5620BN*	HTW7620DN*	HDPW7620AAN*
Τύπος ψυκτικής συσκευής	Ψυγείοκαταψύκτης	Ψυγείοκαταψύκτης	Ψυγείοκαταψύκτης
Κατηγορία ενεργειακής απόδοσης	B	D	A
Ετήσια κατανάλωση ενέργειας (kWh/έτος)	142	226	92
Όγκος θαλάμου ψυγείου (L)	255	255	255
Όγκος θαλάμου καταψύκτη (L)	120	125	120
Όγκος θαλάμου ψύξης (L)	34	34	34
Κατηγορία κατάψυξης	4 αστέρων	4 αστέρων	4 αστέρων
Τύπος απόψυξης	Αυτόματη απόψυξη	Αυτόματη απόψυξη	Αυτόματη απόψυξη
Χρόνος αύξησης θερμοκρασίας (ώρες)	13	13	16
Χωρητικότητα κατάψυξης (κιλά/24 ώρες)	10.0	10.0	12.0
Κλιματική κλάση	SN.N.ST.T	SN.N.ST.T	SN.N.ST.T
Κατηγορία εκπομπών θορύβου και εκπομπών αερόφερτου ακουστικού θορύβου (dB(A) re 1pW)	B(35)	B(35)	B(35)



Μοντέλο	HTW5618DW*		
Τύπος ψυκτικής συσκευής	Ψυγείοκαταψύκτης		
Κατηγορία ενεργειακής απόδοσης	D		
Ετήσια κατανάλωση ενέργειας (kWh/έτος)	216		
Όγκος θαλάμου ψυγείου (L)	198		
Όγκος θαλάμου καταψύκτη (L)	125		
Όγκος θαλάμου ψύξης (L)	34		
Κατηγορία κατάψυξης	4 αστέρων		
Τύπος απόψυξης	Αυτόματη απόψυξη		
Χρόνος αύξησης θερμοκρασίας (ώρες)	13		
Χωρητικότητα κατάψυξης (κιλά/24 ώρες)	10.0		
Κλιματική κλάση	SN.N.ST.T		
Κατηγορία εκπομπών θορύβου και εκπομπών αερόφερτου ακουστικού θορύβου (dB(A) re 1pW)	B(35)		



Πρόσθετα τεχνικά δεδομένα

Μοντέλο	HTW5618DN*	HTW5618EN*	HTW5620DN*
Συνολικός όγκος (L)	360	360	414
Τάση/Συχνότητα	220-240V/50Hz	220-240V/50Hz	220-240V/50Hz
Ρεύμα εισόδου (A)	1,4	1,4	1,4
Κύρια ασφάλεια (A)	16	16	16
Ψυκτικό μέσο	R600a(53g)	R600a(53g)	R600a(53g)
Διαστάσεις (Π/Β/Υ σε mm)	595*667*1850	595*667*1850	595*667*2050

Μοντέλο	HTW5618CN*	HTW5620CN*	HTW5620EN*
Συνολικός όγκος (L)	360	414	414
Τάση/Συχνότητα	220-240V/50Hz	220-240V/50Hz	220-240V/50Hz
Ρεύμα εισόδου (A)	1,4	1,4	1,4
Κύρια ασφάλεια (A)	15	15	16
Ψυκτικό μέσο	R600a(50g)	R600a(50g)	R600a(53g)
Διαστάσεις (Π/Β/Υ σε mm)	595*667*1850	595*667*2050	595*667*2050



Μοντέλο	HDPW5618DN*	HDPW5620DN*	HDPW3620DN*
Συνολικός όγκος (L)	352	406	406
Τάση/Συχνότητα	220-240V/50Hz	220-240V/50Hz	220-240V/50Hz
Ρεύμα εισόδου (A)	1,4	1,4	1,4
Κύρια ασφάλεια (A)	16	16	16
Ψυκτικό μέσο	R600a(53g)	R600a(53g)	R600a(53g)
Διαστάσεις (Π/Β/Υ σε mm)	595*667*1850	595*667*2050	595*667*2050

Μοντέλο	HDPW5618CN*	HDPW5620CN*	HDPW5620AN*
Συνολικός όγκος (L)	352	406	409
Τάση/Συχνότητα	220-240V/50Hz	220-240V/50Hz	220-240V/50Hz
Ρεύμα εισόδου (A)	1,4	1,4	1,4
Κύρια ασφάλεια (A)	15	15	16
Ψυκτικό μέσο	R600a(50g)	R600a(50g)	R600a(50g)
Διαστάσεις (Π/Β/Υ σε mm)	595*667*1850	595*667*2050	595*667*2050



Πρόσθετα τεχνικά δεδομένα

Μοντέλο	HDPW3618DN*	HDPW3620CN*	HTW3620DN*
Συνολικός όγκος (L)	352	406	414
Τάση/Συχνότητα	220-240V/50Hz	220-240V/50Hz	220-240V/50Hz
Ρεύμα εισόδου (A)	1,4	1,4	1,4
Κύρια ασφάλεια (A)	16	15	16
Ψυκτικό μέσο	R600a(53g)	R600a(50g)	R600a(53g)
Διαστάσεις (Π/Β/Υ σε mm)	595*667*1850	595*667*2050	595*667*2050

Μοντέλο	HDPW7620AAN*	HDPW5620BN*	HDPW7620AN*
Συνολικός όγκος (L)	409	409	409
Τάση/Συχνότητα	220-240V/50Hz	220-240V/50Hz	220-240V/50Hz
Ρεύμα εισόδου (A)	1,4	1,4	1,4
Κύρια ασφάλεια (A)	16	16	16
Ψυκτικό μέσο	R600a(55g)	R600a(50g)	R600a(50g)
Διαστάσεις (Π/Β/Υ σε mm)	595*667*2050	595*667*2050	595*667*2050

**Πρόσθετα τεχνικά δεδομένα**

Μοντέλο	HTW7620DN*	HTW7620CN*	HTW5618DW*
Συνολικός όγκος (L)	414	414	357
Τάση/Συχνότητα	220-240V/50Hz	220-240V/50Hz	220-240V/50Hz
Ρεύμα εισόδου (A)	1,4	1,4	1,4
Κύρια ασφάλεια (A)	16	15	16
Ψυκτικό μέσο	R600a(53g)	R600a(50g)	R600a(53g)
Διαστάσεις (Π/Β/Υ σε mm)	595*667*2050	595*667*2050	595*667*1850



Συνιστούμε την Εξυπηρέτηση Πελατών της Haier και τη χρήση γνήσιων ανταλλακτικών.

Εάν έχετε κάποιο πρόβλημα με τη συσκευή σας, ελέγξτε πρώτα την ενότητα ΑΝΤΙΜΕΤΩΠΙΣΗ ΠΡΟΒΛΗΜΑΤΩΝ.

Εάν δεν μπορείτε να βρείτε μια λύση εκεί, επικοινωνήστε

- ▶ με τον τοπικό σας αντιπρόσωπο ή
- ▶ το Ευρωπαϊκό τηλεφωνικό κέντρο εξυπηρέτησης (βλ. παρακάτω αριθμούς τηλεφώνου) ή
- ▶ πηγαίνετε στην ενότητα Εξυπηρέτηση και Υποστήριξη στη διεύθυνση www.haier.com όπου μπορείτε να υποβάλετε αίτημα εξυπηρέτησης
- ▶ και επίσης να βρείτε τις συχνές ερωτήσεις.

Για να επικοινωνήσετε με την Υπηρεσία μας, βεβαιωθείτε ότι έχετε τα ακόλουθα δεδομένα διαθέσιμα.

Οι πληροφορίες μπορούν να βρεθούν στην πινακίδα ονομαστικών στοιχείων.

Μοντέλο _____

Σειριακός αριθμός. _____

Επίσης, ελέγξτε την Κάρτα Εγγύησης που παρέχεται με το προϊόν σε περίπτωση εγγύησης.

Ευρωπαϊκό Τηλεφωνικό Κέντρο		
Χώρα*	Αριθμός τηλεφώνου	Έξοδα
Haier Italy (IT)	199 100 912	
Haier Spain (ES)	902 509 123	
Haier Germany (DE)	0180 5 39 39 99	<ul style="list-style-type: none"> • 14 λεπτά/λεπτό από σταθερό • μέγιστο 42 λεπτά/λεπτό από κινητό
Haier Austria (AT)	0820 001 205	<ul style="list-style-type: none"> • 14,53 λεπτά/λεπτό από σταθερό • μέγιστο 20 λεπτά/λεπτό όλα τα άλλα
Haier United Kingdom (UK)	0333 003 8122	
Haier France (FR)	0980 406 409	



* Για άλλες χώρες, ανατρέξτε στη διεύθυνση www.haier.com
Haier Europe Trading S.r.l
Branch UK
Westgate House, Westgate, Ealing
Λονδίνο, W5 1YY

*Διάρκεια εγγύησης της ψυκτικής συσκευής:

Η ελάχιστη εγγύηση είναι: 2 χρόνια για τις χώρες της ΕΕ, 3 χρόνια για την Τουρκία, 1 χρόνο για το Ηνωμένο Βασίλειο, 1 χρόνο για τη Ρωσία, 3 χρόνια για τη Σουηδία, 2 χρόνια για τη Σερβία, 5 χρόνια για τη Νορβηγία, 1 χρόνο για το Μαρόκο, 6 μήνες για την Αλγερία, για την Τυνησία δεν απαιτείται νομική εγγύηση.

*Περίοδος διάθεσης ανταλλακτικών για επισκευή της συσκευής:

Θερμοστάτες, αισθητήρες θερμοκρασίας, πλακέτες τυπωμένων κυκλωμάτων και πηγές φωτός διατίθενται για επτά τουλάχιστον χρόνια μετά τη διάθεση της τελευταίας μονάδας του μοντέλου στην αγορά.

Λαβές πόρτας, μεντεσέδες πόρτας, δίσκοι και καλάθια για περίοδο τουλάχιστον επτά ετών και λάστιχα πόρτας για ελάχιστη περίοδο 10 ετών, μετά τη διάθεση και της τελευταίας μονάδας του μοντέλου στην αγορά.

*Για περισσότερες πληροφορίες σχετικά με το προϊόν, συμβουλευτείτε τη διεύθυνση <https://eprel.ec.europa.eu/> ή σαρώστε τον κωδικό QR στην ενεργειακή ετικέτα που παρέχεται με τη συσκευή.

5 Información de seguridad

Antes del primer uso 6

Instalación 6

Uso diario 7

10 Uso previsto**11 Descripción del producto****22 Panel de control****23 Uso**

Ajuste de la temperatura del frigorífico 24

Ajustar la temperatura del congelador 24

Ajustar la temperatura de My Zone 24

Función Super Cool 25

Función Super Freeze 26

31 Equipo**35 Consejos de ahorro de energía****36 Cuidado y limpieza****39 Solución de problemas****43 Instalación****47 Datos técnicos****58 Atención al cliente**

Haga clic en el contenido para ver la información detallada.



Gracias por comprar un producto Haier.

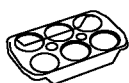
Lea atentamente estas instrucciones antes de utilizar este electrodoméstico. Estas instrucciones contienen información importante que le ayudará a sacar el máximo provecho del electrodoméstico y a garantizar una instalación, uso y mantenimiento seguros y adecuados.

Guarde este manual en un lugar seguro para poder consultarlo en cualquier momento y garantizar un uso seguro y adecuado del electrodoméstico.

Si vende este electrodoméstico, lo dona o lo deja al mudarse, asegúrese de entregar también este manual para que el nuevo propietario pueda familiarizarse con el electrodoméstico y las advertencias de seguridad.

Accesorios

Verifique los accesorios y la documentación según la siguiente lista:



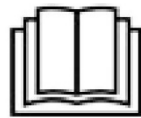
Huevera



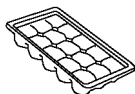
Etiqueta energética



Tarjeta de garantía



Manual de usuario



Bandeja de cubitos de hielo



Bisagras de la puerta



Tapa de la bisagra



Inserto de la tapa

**ADVERTENCIA: Información de seguridad importante****AVISO: Información general y consejos****Información medioambiental****Eliminación**

Ayude a proteger el medio ambiente y la salud humana. Tire el embalaje en los contenedores correspondientes para reciclarlo. Ayude a reciclar los residuos de aparatos eléctricos y electrónicos. No deseche los aparatos marcados con este símbolo en la basura doméstica. Lleve el producto a su planta de reciclaje local o póngase en contacto con su oficina municipal.

**¡ADVERTENCIA!**

¡Peligro de lesiones o asfixia!

Los refrigerantes y gases deben ser eliminados de forma profesional. Asegúrese de que la tubería del circuito refrigerante no está dañada antes de desecharla adecuadamente. Desconecte el electrodoméstico de la red eléctrica. Corte el cable de red y deséchelo. Quite las bandejas y los cajones, así como el asa de la puerta y las juntas, para evitar que los niños y las mascotas se queden encerrados en el electrodoméstico.

Antes de encender el electrodoméstico por primera vez, lea las siguientes directrices de seguridad:



¡ADVERTENCIA!

Antes del primer uso

- ▶ Asegúrese de que no haya daños causados por el transporte.
- ▶ Retire todo el embalaje y manténgalo fuera del alcance de los niños.
- ▶ Espere al menos dos horas antes de instalar el electrodoméstico para asegurarse de que el circuito refrigerante sea totalmente eficiente.
- ▶ Este electrodoméstico pesa mucho: manipúlelo con la ayuda de otra persona.

Instalación

- ▶ Este electrodoméstico debe colocarse en un lugar bien ventilado. Asegúrese de dejar un espacio libre de al menos 10 cm por encima y alrededor del electrodoméstico.
- ▶ No coloque el electrodoméstico en un área húmeda o en un lugar donde pueda recibir salpicaduras de agua. Limpie y seque las salpicaduras y manchas con un paño suave y limpio.
- ▶ No instale el electrodoméstico bajo la luz directa del sol o cerca de fuentes de calor (p. ej.: fogones, estufas...).
- ▶ Instale y nivele el electrodoméstico en un lugar adecuado para su tamaño y uso.
- ▶ No obstruya las aberturas de ventilación del armazón del electrodoméstico o de la estructura integrada.
- ▶ Asegúrese de que la información eléctrica de la placa de características técnicas coincida con la fuente de alimentación. Si no es así, póngase en contacto con un electricista.
- ▶ Este electrodoméstico funciona mediante una fuente de alimentación de 220-240 V CA/50 Hz. Una fluctuación anormal del voltaje puede provocar que el electrodoméstico no se ponga en marcha o que se dañe el control de temperatura o el compresor, o que se oiga un ruido anormal durante el funcionamiento. En tal caso, se deberá instalar un regulador automático.
- ▶ No utilice adaptadores de múltiples contactos ni cables de extensión.
- ▶ No ubique tomas de corriente múltiples portátiles ni fuentes de alimentación portátiles en la parte trasera del electrodoméstico.
- ▶ Asegúrese de que el cable de alimentación no quede aprisionado por el frigorífico. No oprima el cable de alimentación.



¡ADVERTENCIA!

- ▶ Utilice una toma de corriente independiente puesta a tierra como fuente de alimentación, que sea de fácil acceso. Este electrodoméstico debe conectarse a tierra.

Solo para el Reino Unido: El cable de alimentación de este electrodoméstico está equipado con un enchufe de 3 cables (con puesta a tierra) que se ajusta a una toma de corriente estándar de 3 cables (puesta a tierra). No corte ni desmonte la tercera patilla (toma de tierra). Una vez instalado el electrodoméstico, el enchufe debe ser accesible.

- ▶ No dañe el circuito del refrigerante.

Uso diario

- ▶ Este electrodoméstico puede ser utilizado por niños a partir de 8 años y por personas con capacidades físicas, sensoriales o mentales reducidas, o sin experiencia o conocimientos previos, siempre y cuando hayan recibido la supervisión y las instrucciones necesarias para utilizar el electrodoméstico de forma segura y comprendan los riesgos que implica.
- ▶ Se permite que los niños de 3 a 8 años llenen y vacíen electrodomésticos de refrigeración, pero no están autorizados a limpiarlos o instalarlos.
- ▶ Mantenga alejados del electrodoméstico a los niños menores de 3 años a menos que estén constantemente supervisados.
- ▶ Los niños no deben jugar con este electrodoméstico.
- ▶ Si se filtra gas refrigerante u otro gas inflamable en las proximidades del electrodoméstico, apague la válvula del gas filtrado, abra las puertas y ventanas y no desconecte un enchufe en el cable de alimentación del frigorífico/ congelador o cualquier otro electrodoméstico.
- ▶ Tenga en cuenta que el electrodoméstico está configurado para funcionar en un intervalo de temperatura ambiente específico de entre 10 y 43 °C. El electrodoméstico no puede funcionar correctamente si se deja durante mucho tiempo a una temperatura superior o inferior al intervalo indicado.
- ▶ No coloque artículos inestables (objetos pesados, recipientes llenos de agua) en la parte superior del frigorífico, a fin de evitar lesiones personales causadas por caídas o descargas eléctricas causadas por el contacto con el agua.
- ▶ No tire de los estantes de la puerta. Se puede tirar de la puerta de forma inclinada, el botellero puede retirarse o el electrodoméstico puede volcar.
- ▶ Abra y cierre las puertas solamente usando las asas. El hueco entre las puertas y entre las puertas y el armario es muy estrecho. No ponga las manos en estas áreas para evitar pillarse los dedos. Abra o cierre las puertas del frigorífico solo cuando no haya niños dentro del área de movimiento de la puerta.



¡ADVERTENCIA!

- ▶ No almacene ni utilice elementos inflamables, explosivos o corrosivos en el electrodoméstico ni cerca de él.
- ▶ No guarde medicamentos, baterías ni agentes químicos en el electrodoméstico. Este aparato es un electrodoméstico. No se recomienda almacenar materiales que requieran temperaturas extremas.
- ▶ Nunca almacene líquidos en botellas o latas (aparte de bebidas de alto grado alcohólico), especialmente las bebidas carbonatadas, en el congelador, ya que se romperían durante la congelación.
- ▶ Compruebe el estado de los alimentos si se ha producido un calentamiento en el congelador.
- ▶ No ajuste una temperatura demasiado baja sin necesidad en el compartimento frigorífico. Los ajustes más altos pueden generar temperaturas bajo cero. Atención: Las botellas pueden reventar.
- ▶ No toque los productos congelados con las manos mojadas (use guantes). Sobre todo, no coma hielo inmediatamente después de haberlo sacado del congelador. Existe el riesgo de congelación o de formación de ampollas. **PRIMEROS AUXILIOS:** poner inmediatamente bajo el grifo de agua fría. ¡No tirar!
- ▶ No toque la superficie interior del compartimento de almacenamiento del frigorífico cuando esté en funcionamiento, especialmente con las manos mojadas, ya que las manos pueden congelarse por la superficie.
- ▶ Desenchufe el electrodoméstico en caso de interrupción del suministro eléctrico o antes de limpiarlo. Espere al menos 7 minutos antes de volver a poner en marcha el aparato, ya que un arranque frecuente puede dañar el compresor.
- ▶ No deben utilizarse dispositivos eléctricos dentro de los compartimentos para alimentos del electrodoméstico, salvo que sean del tipo recomendado por el fabricante. Mantenimiento / limpieza
- ▶ Asegúrese de que los niños están bajo supervisión si realizan tareas de limpieza y mantenimiento.
- ▶ Desconecte el electrodoméstico de la red eléctrica antes de realizar cualquier mantenimiento rutinario. Deje pasar al menos 5 minutos antes de reiniciar el electrodoméstico, ya que el arranque frecuente puede dañar el compresor.

**¡ADVERTENCIA!**

- ▶ Cuando desenchufe el electrodoméstico, hágalo por la clavija, no por el cable.
- ▶ No limpie el electrodoméstico con cepillos duros, cepillos de alambre, detergente en polvo, gasolina, acetato de amilo, acetona y soluciones orgánicas similares, soluciones ácidas o alcalinas. Limpie con un detergente especial para frigoríficos para evitar daños.
- ▶ No raspe la escarcha y el hielo con objetos afilados. No utilice aerosoles, calentadores eléctricos como secadores de pelo, limpiadores a vapor u otras fuentes de calor para evitar dañar las piezas de plástico.
- ▶ No utilice dispositivos mecánicos ni otros equipos para acelerar el proceso de descongelación, salvo aquellos recomendados por el fabricante.
- ▶ Si el cable de alimentación está dañado, debe ser sustituido por el fabricante, por su servicio técnico o por cualquier profesional cualificado similar para evitar riesgos.
- ▶ No intente reparar, desmontar o modificar este electrodoméstico por su cuenta. En caso de reparación, póngase en contacto con nuestro servicio de atención al cliente.
- ▶ Saque el polvo de la parte posterior de la unidad al menos una vez al año para evitar el riesgo de incendio, así como un mayor consumo de energía.
- ▶ No rocíe ni enjuague el electrodoméstico durante la limpieza.
- ▶ No use agua pulverizada o vapor para limpiar el electrodoméstico.
- ▶ No limpie los estantes de cristal fríos con agua caliente. Un cambio repentino de temperatura puede causar que el cristal se rompa.

Información sobre el gas refrigerante**¡ADVERTENCIA!**

Este electrodoméstico contiene el refrigerante inflamable ISOBUTANO (R600a). Asegúrese de no dañar el circuito refrigerante durante el transporte o la instalación. La fuga de refrigerante puede causar lesiones oculares o incendios. Si se produce algún daño, manténgase alejado de llamas abiertas, ventile bien la habitación y no conecte o desconecte los cables de alimentación de este ni de cualquier otro electrodoméstico. Informe al servicio de atención al cliente.

En caso de que los ojos entren en contacto con el refrigerante, enjuáguelos inmediatamente con agua corriente y llame inmediatamente a un oftalmólogo.



Uso previsto

Este electrodoméstico está diseñado para enfriar y congelar alimentos. Ha sido diseñado exclusivamente para su uso en aplicaciones domésticas y similares, como áreas de cocina para personal de tiendas, oficinas y otros entornos de trabajo; granjas y el uso por clientes en hoteles, moteles y otros entornos de tipo residencial, así como en alojamientos y restauración. No está destinado a un uso comercial o industrial.

No se permite realizar cambios o modificaciones en el electrodoméstico. Un uso no previsto puede causar riesgos y la pérdida de los derechos de reclamación por garantía.

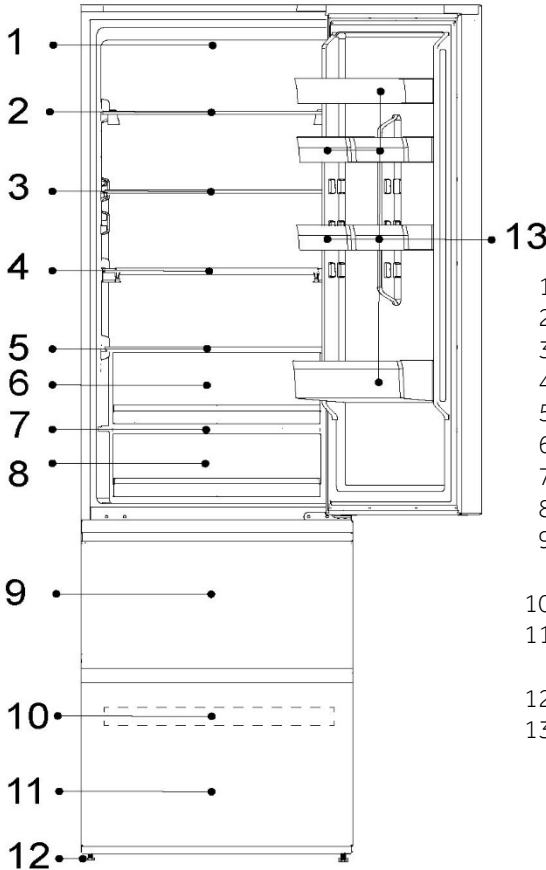
Normas y directivas

Este producto cumple los requisitos de todas las directivas CE aplicables con las correspondientes normas acordadas, que establecen el mercado CE.

i AVISO

Debido a cambios técnicos y a las diferencias entre modelos, algunas de las ilustraciones de este manual pueden diferir del modelo.

(HTW5620DN*, HTW5620CN*, HTW5620EN*)

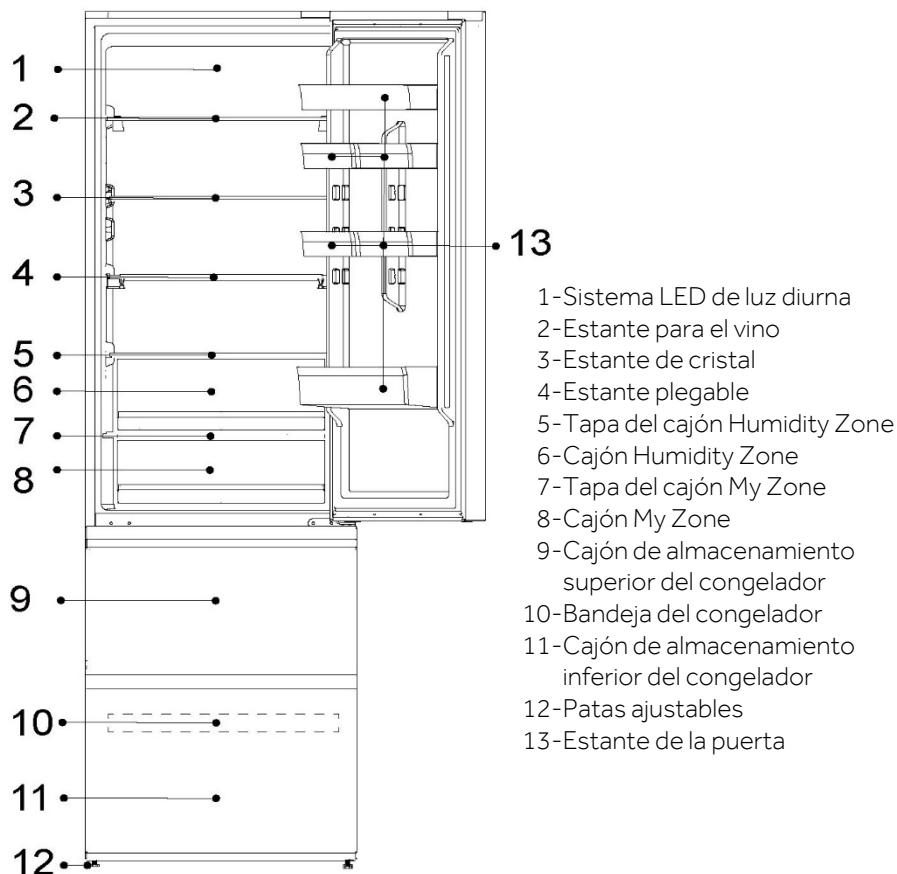


- 1-Lámpara LED del frigorífico
- 2-Estante para el vino
- 3-Estante de cristal
- 4-Estante plegable
- 5-Tapa del cajón Humidity Zone
- 6-Cajón Humidity Zone
- 7-Tapa del cajón My Zone
- 8-Cajón My Zone
- 9-Cajón de almacenamiento superior del congelador
- 10-Bandeja del congelador
- 11-Cajón de almacenamiento inferior del congelador
- 12-Patas ajustables
- 13-Estante de la puerta

i AVISO

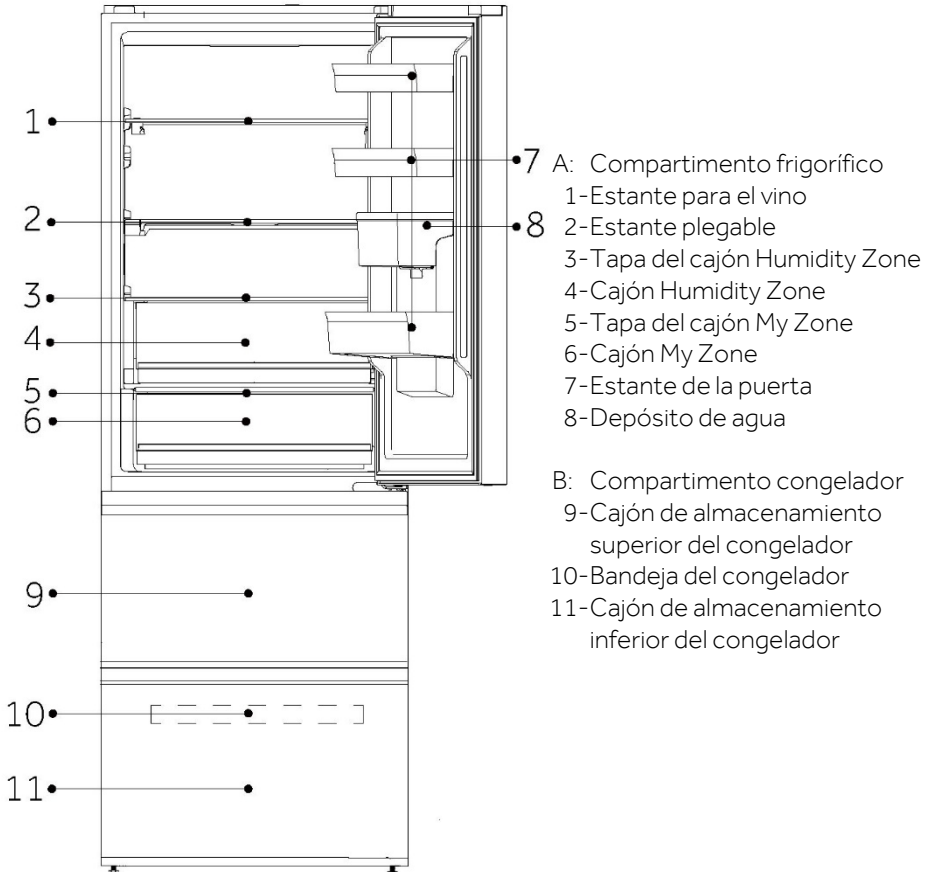
Debido a cambios técnicos y a las diferencias entre modelos, algunas de las ilustraciones de este manual pueden diferir del modelo.

(HTW7620AN*, HTW7620CN*, HTW7620DN*)



i AVISO

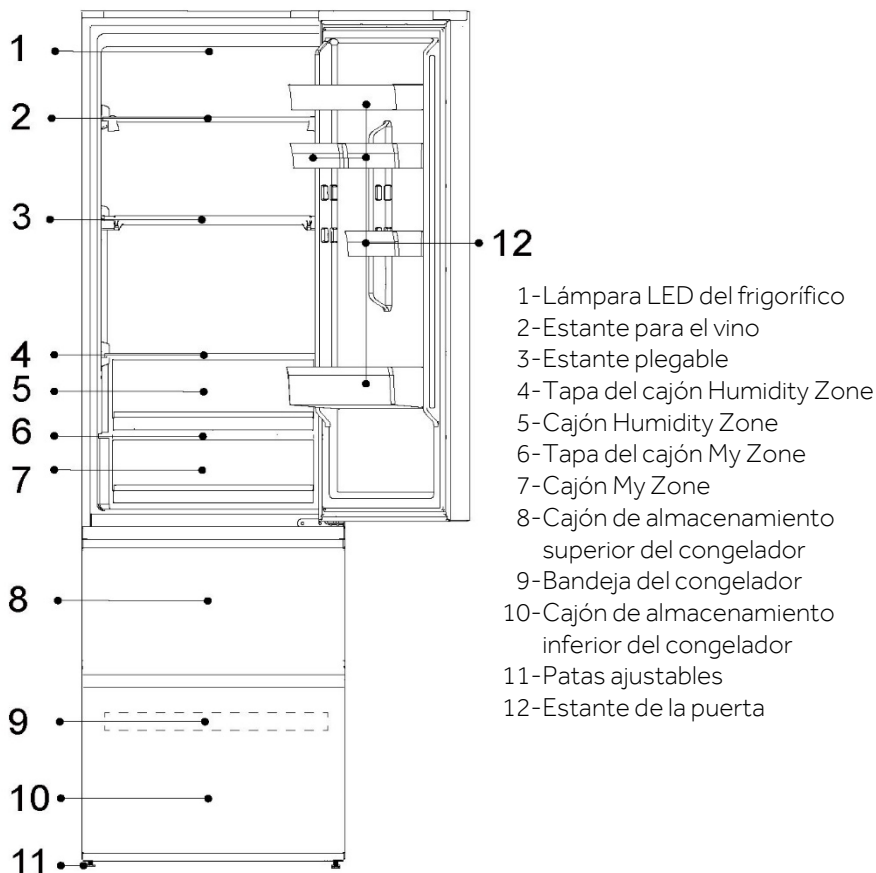
Debido a cambios técnicos y a las diferencias entre modelos, algunas de las ilustraciones de este manual pueden diferir del modelo.
(HTW5618DW*)



i AVISO

Debido a cambios técnicos y a las diferencias entre modelos, algunas de las ilustraciones de este manual pueden diferir del modelo.

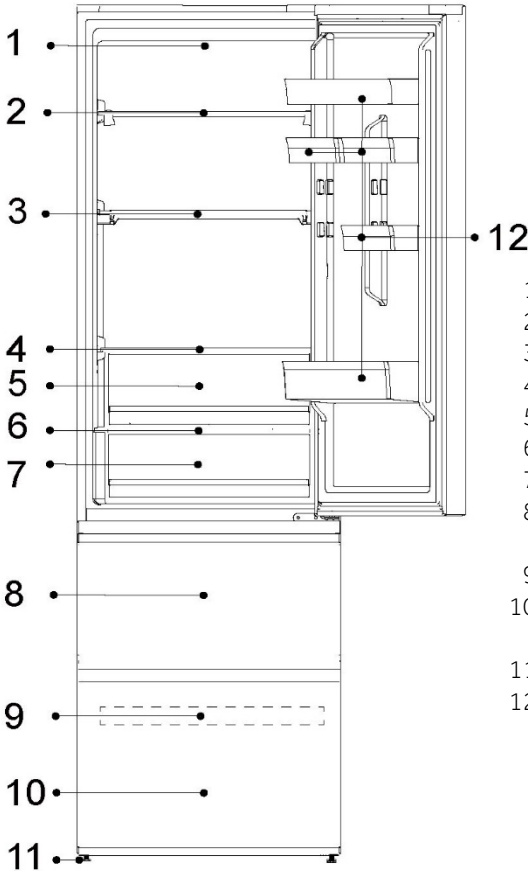
(HTW5618DN*, HTW5618CN*, HTW5618EN*)





i AVISO

Debido a cambios técnicos y a las diferencias entre modelos, algunas de las ilustraciones de este manual pueden diferir del modelo.
(HTW3620DN*)

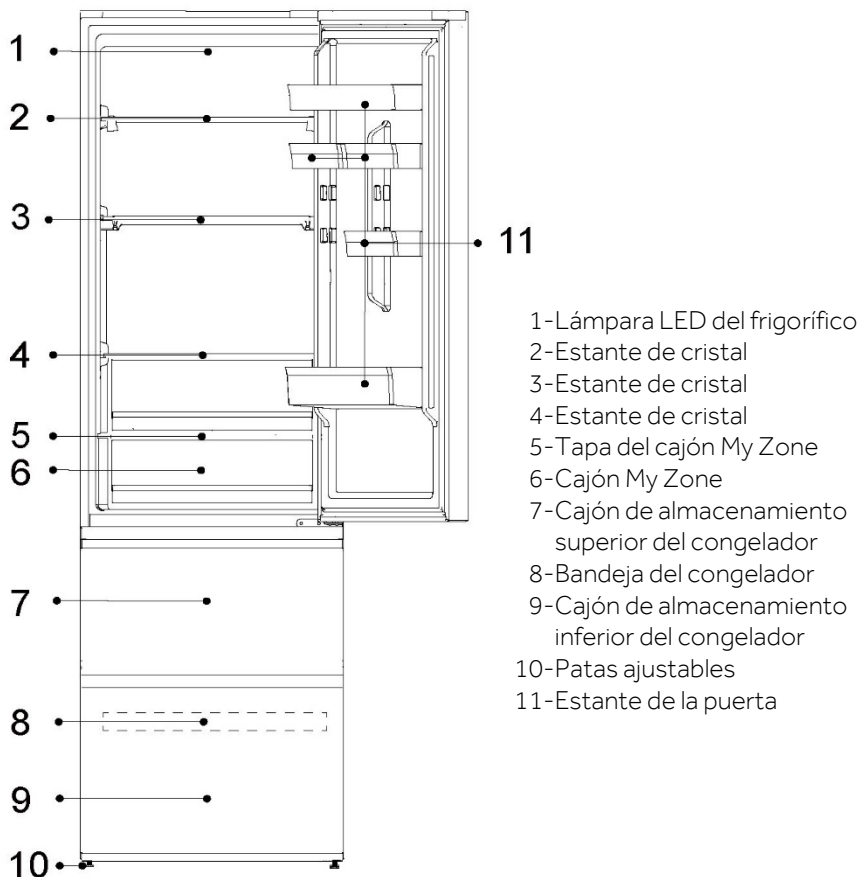


- 1-Lámpara LED del frigorífico
- 2-Estante de cristal
- 3-Estante de cristal
- 4-Estante de cristal
- 5-Estante de cristal
- 6-Tapa del cajón My Zone
- 7-Cajón My Zone
- 8-Cajón de almacenamiento superior del congelador
- 9-Bandeja del congelador
- 10-Cajón de almacenamiento inferior del congelador
- 11-Patas ajustables
- 12-Estante de la puerta

i AVISO

Debido a cambios técnicos y a las diferencias entre modelos, algunas de las ilustraciones de este manual pueden diferir del modelo.

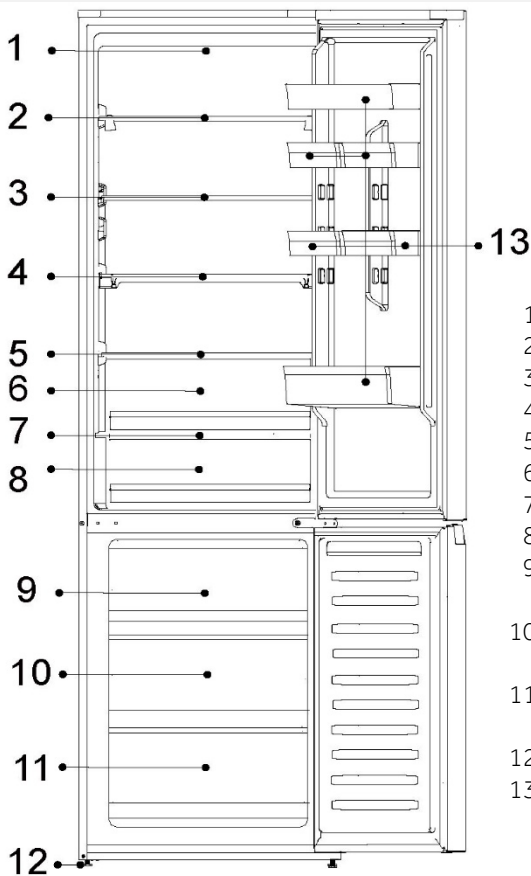
(HTW3618DN*, HTW3618CN*, HTW3618EN*)



i AVISO

Debido a cambios técnicos y a las diferencias entre modelos, algunas de las ilustraciones de este manual pueden diferir del modelo.

(HDPW5620DN*, HDPW5620CN*, HDPW5620AN*, HDPW5620BN*)

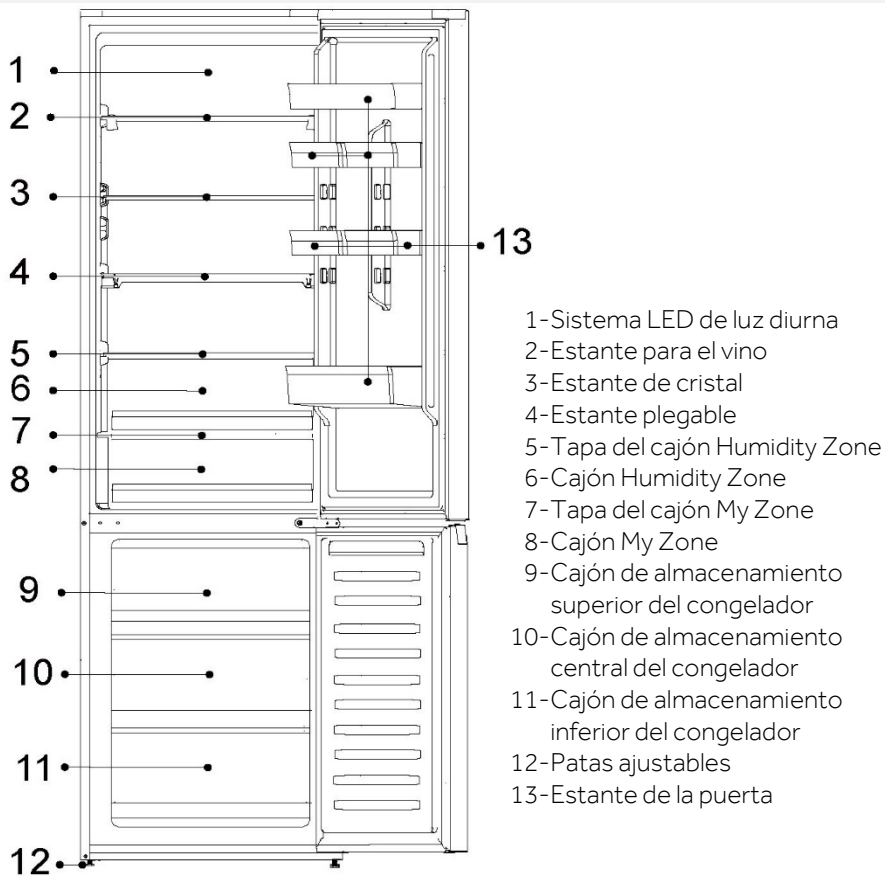


- 1-Lámpara LED del frigorífico
- 2-Estante para el vino
- 3-Estante de cristal
- 4-Estante plegable
- 5-Tapa del cajón Humidity Zone
- 6-Cajón Humidity Zone
- 7-Tapa del cajón My Zone
- 8-Cajón My Zone
- 9-Cajón de almacenamiento superior del congelador
- 10-Cajón de almacenamiento central del congelador
- 11-Cajón de almacenamiento inferior del congelador
- 12-Patas ajustables
- 13-Estante de la puerta



i AVISO

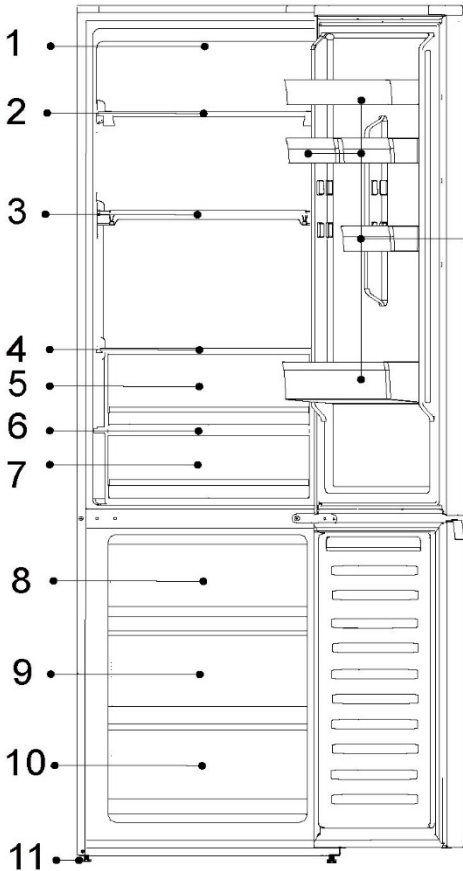
Debido a cambios técnicos y a las diferencias entre modelos, algunas de las ilustraciones de este manual pueden diferir del modelo.
(HDPW7620AN*, HDPW7620AAN*)



- 1-Sistema LED de luz diurna
- 2-Estante para el vino
- 3-Estante de cristal
- 4-Estante plegable
- 5-Tapa del cajón Humidity Zone
- 6-Cajón Humidity Zone
- 7-Tapa del cajón My Zone
- 8-Cajón My Zone
- 9-Cajón de almacenamiento superior del congelador
- 10-Cajón de almacenamiento central del congelador
- 11-Cajón de almacenamiento inferior del congelador
- 12-Patas ajustables
- 13-Estante de la puerta

i AVISO

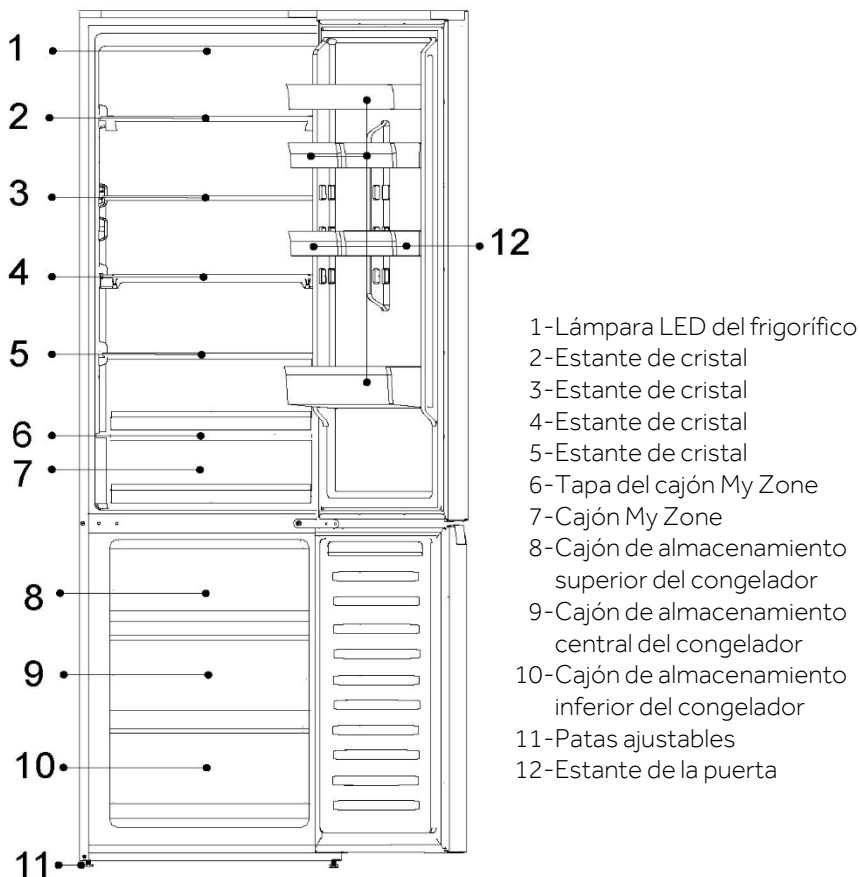
Debido a cambios técnicos y a las diferencias entre modelos, algunas de las ilustraciones de este manual pueden diferir del modelo.
(HDPW5618DN*, HDPW5618CN*)



- 1-Lámpara LED del frigorífico
- 2-Estante para el vino
- 3-Estante plegable
- 4-Tapa del cajón Humidity Zone
- 5-Cajón Humidity Zone
- 6-Tapa del cajón My Zone
- 7-Cajón My Zone
- 8-Cajón de almacenamiento superior del congelador
- 9-Cajón de almacenamiento central del congelador
- 10-Cajón de almacenamiento inferior del congelador
- 11-Patas ajustables
- 12-Estante de la puerta

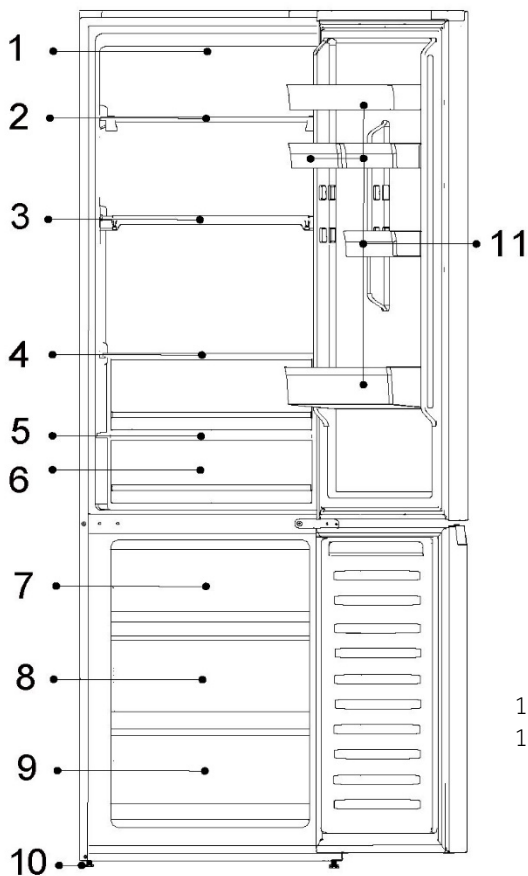
i AVISO

Debido a cambios técnicos y a las diferencias entre modelos, algunas de las ilustraciones de este manual pueden diferir del modelo.
(HDPW3620DN*, HDPW3620CN*)



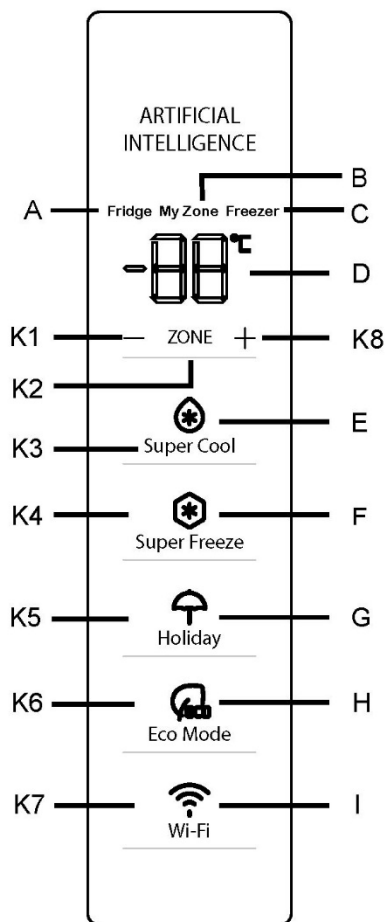
i AVISO

Debido a cambios técnicos y a las diferencias entre modelos, algunas de las ilustraciones de este manual pueden diferir del modelo.
(HDPW3618DN*)



- 1-Lámpara LED del frigorífico
- 2-Estante de cristal
- 3-Estante de cristal
- 4-Estante de cristal
- 5-Tapa del cajón My Zone
- 6-Cajón My Zone
- 7-Cajón de almacenamiento superior del congelador
- 8-Cajón de almacenamiento central del congelador
- 9-Cajón de almacenamiento inferior del congelador
- 10-Patas ajustables
- 11-Estante de la puerta

Panel de control



Indicadores:

- A Compartimento frigorífico
- B Compartimento frigorífico (My Zone)
- C Compartimento congelador
- D Indicador de temperatura
- E Función Super Cool
- F Función Super Freeze
- G Función Holiday
- H Función Eco Mode I Función Wi-Fi

Botones:

- K1 Disminución de temperatura
- K2 Selección de Fridge, My Zone y Freezer
- K3 Encendido/apagado de la función Super Cool
- K4 Encendido/apagado de la función Super Freeze
- K5 Encendido/apagado de la función Holiday
- K6 Encendido/apagado de la función Eco Mode
- K7 Encendido/apagado de la función Wi-Fi
- K8 Aumento de temperatura

Antes del primer uso

Retire todo el material de embalaje, manténgalo fuera del alcance de los niños y deséchelo de forma respetuosa con el medio ambiente.

Limpie el interior y el exterior del electrodoméstico, así como el interior y los accesorios con agua y un detergente suave, y séquelo bien con un paño suave.

Después de nivelar y limpiar el electrodoméstico, espere al menos 2 horas antes de conectarlo a la fuente de alimentación. Ver sección **INSTALACIÓN**.

Enfríe previamente los compartimentos a altas temperaturas antes de llenarlos de alimentos. La función Super Freeze ayuda a enfriar rápidamente el compartimento del congelador.

Teclas del sensor

Los botones del panel de control son teclas táctiles, que responden aún cuando las toca ligeramente con el dedo.

Encender/apagar el electrodoméstico

El electrodoméstico se pondrá en marcha en cuanto se conecte a la fuente de alimentación.

Cuando el aparato se enciende por primera vez, los indicadores de temperatura "D" muestran los valores preestablecidos (consulte la Nota siguiente).

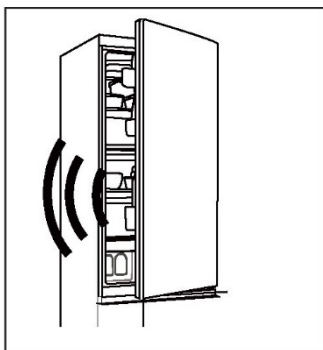
AVISO

El electrodoméstico está preestablecido a la temperatura recomendada de 5 °C (frigorífico) y -18 °C (congelador). La temperatura de My Zone está preestablecida en aproximadamente 2 °C. Estos son los ajustes recomendados. Si lo desea, puede cambiar estas temperaturas manualmente.

Alarma de apertura de la puerta

Cuando la puerta del frigorífico esté abierta durante más de 3 minutos, la alarma de apertura de la puerta sonará.

La alarma puede ser silenciada cerrando la puerta. Si la puerta se deja abierta durante más de 7 minutos, la luz del frigorífico y la iluminación del panel de control se apagarán automáticamente.



Ajuste de la temperatura

Las temperaturas interiores están influenciadas por los siguientes factores:

- ▶ Temperatura ambiente
- ▶ Frecuencia de apertura de la puerta
- ▶ Cantidad de alimentos almacenados
- ▶ Instalación del electrodoméstico



Ajuste de la temperatura del frigorífico

1. Pulse el botón "K2" (Selección de Fridge/(My Zone)/Freezer) para seleccionar el compartimento frigorífico. El icono "A" (Compartimento frigorífico) y "D" (Indicador de temperatura) se iluminan.

2. Pulse el botón "K1/K8" para ajustar la temperatura del frigorífico.

La temperatura aumenta en secuencias de 1 °C, desde un mínimo de 2 °C hasta un máximo de 8 °C. La temperatura óptima del frigorífico es de 5 °C.

Las temperaturas más frías suponen un consumo innecesario de energía.

3. Después de aproximadamente 5 segundos, el icono de temperatura "D" (indicador de temperatura) se iluminará de forma permanente y se confirmará la configuración.

Ajustar la temperatura del congelador

1. Pulse el botón "K2" (Selección de Fridge/(My Zone)/Freezer) para seleccionar el compartimento congelador, el icono °C "C" (Compartimento congelador) y "D" (Indicador de temperatura) se iluminan.

2. Pulse el botón "K1/K8" para ajustar la temperatura del congelador.

La temperatura aumenta en secuencias de 1 °C, desde un mínimo de -24 °C hasta un máximo de -16 °C. La temperatura óptima en el frigorífico es de -18 °C.

Temperaturas más frías implican un consumo innecesario de energía.

3. Después de aproximadamente 5 segundos, el indicador de temperatura "D" (indicador de temperatura) se iluminará de forma permanente y se confirmará la configuración.

Ajustar la temperatura de My Zone

El compartimento frigorífico está equipado con un cajón My Zone. De acuerdo con las necesidades de almacenamiento de los alimentos, se puede seleccionar la temperatura más adecuada para obtener el valor nutricional óptimo de los alimentos.

1. Pulse el botón "K2" (Selección de Fridge/(My Zone)/Freezer) para seleccionar el compartimento My Zone. El icono "B" (Compartimento My Zone) y "D" (Indicador de temperatura) se iluminan.

2. Pulse el botón "K1/K8" para ajustar la temperatura de My Zone.

La temperatura aumenta en secuencias de 1 °C, desde un mínimo de 0 °C hasta un máximo de 5 °C.

3. Después de aproximadamente 5 segundos, el icono de temperatura "D" (indicador de temperatura) se iluminará de forma permanente y se confirmará la configuración.



i AVISO

1. Puede ajustar la temperatura del compartimento My Zone en el nivel medio (2 °C) con el fin de conservar sus alimentos en el entorno de almacenamiento óptimo.
2. Debido a los diferentes contenidos de agua de la carne, algunas carnes con más humedad se congelan a temperaturas inferiores a 0 °C. Por lo tanto, la carne acabada de cortar debe almacenarse en el cajón My Zone con temperaturas mínimas de 0 °C.
3. Las frutas sensibles al frío como la piña, el aguacate, los plátanos o los pomelos, y las verduras como las patatas, las berenjenas, las judías, los pepinos, los calabacines o los tomates, así como el queso, no deben guardarse en el cajón My Zone.
4. Si la temperatura del frigorífico es inferior a la temperatura de My Zone, es normal que la temperatura de My Zone sea inferior a la temperatura de ajuste de My Zone.
5. Si la temperatura ambiente es inferior a 8 °C, la temperatura del cajón My Zone estará siempre cerca de 0 °C.

i AVISO

Después de ajustar la temperatura, si se pulsan otros botones en 5 segundos, el ajuste de temperatura actual se confirmará inmediatamente. Si no se toca ningún botón en el plazo de 5 segundos, el ajuste de temperatura actual se visualizará hasta que la pantalla se apague.

i AVISO

Desde la aplicación es posible personalizar la temperatura del frigorífico, del congelador y de My Zone. La temperatura se puede ajustar con una sensibilidad de 1 °C.

Función Super Cool

1. Se recomienda activar la función Super Cool si se debe guardar una gran cantidad de alimentos (por ejemplo, después de la compra). La función Super Cool acelera el enfriamiento de los alimentos frescos y protege la comida almacenada de un calentamiento indeseado.
2. Pulse el botón "K3" o enciéndala desde la aplicación, el icono "E" (Función Super Cool) se ilumina y la función está activada.



i AVISO

1. El aparato sale de la "Función Super Cool" después de estar en la "Función Super Cool" durante 6 horas o de pulsar el botón "K3" cuando el icono "E" (Función Super Cool) está iluminado o se apaga desde la aplicación.
2. En el estado Super Cool, si se ajusta la temperatura del compartimento frigorífico, el icono "E" (Función Super Cool) parpadea para indicar que esta operación no se puede realizar.

Función Super Freeze

1. Los alimentos frescos deben congelarse lo antes posible hasta su núcleo. Esto permite conservar su mejor valor nutricional, aspecto y sabor. La función Super Freeze acelera el enfriamiento de los alimentos frescos y protege la comida almacenada de un calentamiento indeseado. Si necesita congelar una gran cantidad de alimentos a la vez, se recomienda configurar la función Super Freeze durante 24 horas antes del uso del congelador.
2. Pulse el botón "K4" (Ajuste de la función Super Freeze) o enciéndala desde la aplicación, el icono "F" (Función Super Freeze) se ilumina y se activa la función.

i AVISO

1. El aparato sale de la "Función Super Freeze" después de estar en la "Función Super Freeze" durante 50 horas o de pulsar la tecla "K4" cuando el icono "F" (Función Super Freeze) está iluminado o se apaga desde la aplicación.
2. En el estado Super Freeze, si se ajusta la temperatura del compartimento congelador, el icono "F" (Función Super Freeze) parpadea para indicar que esta operación no se puede realizar.

Función Holiday

La función Holiday puede utilizarse para reducir el consumo de energía del electrodoméstico, si éste no se utiliza con regularidad. Cuando la función está activada, el frigorífico se apaga, mientras que el congelador seguirá funcionando con normalidad. Esta función ajusta la temperatura del frigorífico de forma permanente a 17 °C.

Esto permite mantener la puerta del frigorífico vacía cerrada sin que se formen olores o moho durante una larga ausencia (p.ej. durante las vacaciones). El compartimento congelador puede configurarse libremente.

1. Pulse el botón "K5" (Encendido/apagado de la función Holiday) o seleccione la función desde la aplicación, el icono "G" (Función Holiday) se ilumina y se activa la función.



2. La función se puede desactivar pulsando el botón "K5" (Encendido/apagado de la función Holiday), o bien ajustando la temperatura del frigorífico o realizando cualquier otro ajuste o desactivándola desde la app.

i AVISO

1. Durante la función Holiday, no se deben guardar alimentos en el compartimento frigorífico. La temperatura de 17 °C es demasiado alta para almacenar alimentos.
2. Cuando la función Holiday está encendida, el icono de My Zone se mantiene apagado y la función Frigorífico está bloqueada. Si se ajusta la temperatura del compartimento frigorífico, el icono "G" (Función Holiday) parpadea para indicar que esta operación no se puede realizar.

Función Eco Mode

Eco Mode puede activarse para optimizar el rendimiento del aparato, obteniendo al mismo tiempo la mejor conservación de los alimentos. Si usted no tiene ningún requisito especial, le recomendamos que utilice la función Eco Mode.

En este modo la temperatura del frigorífico es de 5 °C, y la temperatura del congelador es de -18 °C.

1. Pulse el botón "K6" (Encendido/apagado de la función Eco Mode) o seleccione la función desde la aplicación.
2. El icono "H" (Función Eco Mode) se ilumina y se activa la función.

Repitiendo los pasos anteriores, seleccionando otra función o apagándola desde la app es posible volver a desactivar esta función. Los niveles de refrigeración previamente establecidos se restauran.

i AVISO

Durante la función Eco Mode, si se ajusta la temperatura del compartimento frigorífico/congelador, el icono "H" (función Eco Mode) parpadea para indicar que no se puede realizar esta operación.

Paso 1 Descargue la aplicación hOn de la tienda de aplicaciones.

   	
<p>Paso 2 Cree su cuenta en la aplicación hOn o inicie sesión si ya tiene una.</p> 	<p>Paso 3 Siga las instrucciones de emparejamiento en la aplicación hOn.</p> 

Función Wi-Fi

1. Siga las instrucciones de la aplicación para configurar el Wi-Fi.
2. Una vez que se ha configurado el Wi-Fi y se ha establecido la conexión, el icono de Wi-Fi "I" se ilumina de forma fija.
3. Si el Wi-Fi ya ha sido configurado, se reconectará automáticamente de acuerdo con la información de configuración si se enciende el Wi-Fi.

AVISO

1. Para apagar el Wi-Fi, pulse el botón de Wi-Fi "K7" y el icono de Wi-Fi "I" se apagará.
2. Para encender el Wi-Fi e iniciar la configuración, pulse el botón de Wi-Fi "K7" y el icono de Wi-Fi "I" empezará a parpadear lentamente. Si desea configurar la función Wi-Fi, pulse el botón "K7" durante 3 segundos, el icono de Wi-Fi parpadea rápidamente y se accede al modo de configuración. Si desea desactivar la función Wi-Fi, pulse el botón "K7" una vez. Se repiten los pasos anteriores.
3. Si el producto se ha configurado y se apaga la función Wi-Fi, el frigorífico no entrará en el modo de configuración después de volver a conectar la alimentación.

AVISO

1. Este producto no está destinado a un uso comercial.
2. Potencia máxima de salida de RF: Wi-Fi de 2,4 GHz: 16 dBm.
3. Bluetooth LE: 5 dBm; Bluetooth (BR/EDR): 10 dBm.
4. Banda de frecuencia de funcionamiento: 2400-2483,5 MHz.



Almacenar en el compartimento frigorífico

- Mantenga la temperatura de su frigorífico por debajo de los 5° C.
- Los alimentos calientes deben haberse enfriado a temperatura ambiente antes de ser almacenados en el electrodoméstico.
- Los alimentos almacenados en el frigorífico deben lavarse y secarse antes de almacenarse.
- Los alimentos a almacenar deben estar debidamente sellados para evitar olores o alteraciones del sabor.
- No almacene cantidades excesivas de comida. Deje espacio entre los alimentos para permitir que el aire frío fluya alrededor de ellos y lograr una refrigeración mejor y más homogénea.
- Los alimentos consumidos diariamente deben almacenarse en la parte frontal del estante.
- Deje espacio entre los alimentos y las paredes interiores, permitiendo que el aire fluya. De cualquier modo, se recomienda que los alimentos no toquen la pared trasera: los alimentos podrían congelarse contra la pared trasera. Evite el contacto directo de los alimentos (especialmente alimentos aceitosos o ácidos) con el revestimiento interno, ya que el aceite/ácido puede erosionarlo. Limpie los restos de aceite/ácido cuando los encuentre.
- Los alimentos congelados se pueden descongelar suavemente en el compartimiento frigorífico. Esto ahorra energía.
- El proceso de maduración de las frutas y verduras como calabacines, melones, papaya, plátano, piña, etc. se puede acelerar en el frigorífico. Por lo tanto, no se recomienda conservarlos en el frigorífico. Sin embargo, se puede promover la maduración de algunas frutas durante un cierto período. Las cebollas, el ajo, el jengibre y otras raíces también deben almacenarse a temperatura ambiente.
- Los malos olores en el interior del frigorífico son un signo de que algo se ha derramado y se requiere limpieza. Vea Cuidado y limpieza.
- Los diferentes alimentos deben colocarse en diferentes áreas según sus propiedades.

Conservación en el compartimento congelador

- Mantenga la temperatura del congelador a -18° C.
- 24 horas antes de la congelación, encienda la función Super-Freeze. Para pequeñas cantidades de alimentos, 4-6 horas son suficientes.
- Los alimentos calientes deben haberse enfriado a temperatura ambiente antes de ser almacenados en el congelador.
- Los alimentos cortados en porciones pequeñas se congelarán más rápido y serán más fáciles de descongelar y cocinar. El peso recomendado para cada porción es de menos de 2,5 kg.
- Es mejor envasar los alimentos antes de introducirlos en el congelador. El exterior del envase debe estar seco para evitar que las bolsas se peguen.



Los materiales de envasado deben ser inodoros, herméticos, no venenosos y no tóxicos.

- Para evitar la expiración de los periodos de conservación, anote la fecha de congelación, el límite de tiempo y el nombre de los alimentos en el envase según los periodos de conservación de los diferentes alimentos.



¡ADVERTENCIA!

- ▶ El ácido, la alcalinidad y la sal, etc. podrían erosionar la superficie interna del congelador.
- ▶ No coloque los alimentos que contengan estas sustancias (p.ej.: pescados marinos) directamente sobre la superficie interna. El agua salada en el congelador debe limpiarse inmediatamente.
- ▶ No supere el tiempo de almacenamiento recomendado por los fabricantes. Saque solo la cantidad necesaria de alimentos del congelador.
- ▶ Consuma rápidamente los alimentos descongelados. Los alimentos descongelados no pueden volver a congelarse a menos que se cuezan antes; de lo contrario, pueden no ser comestibles.
- ▶ No cargue cantidades excesivas de alimentos frescos en el congelador. Consulte la capacidad de congelación del congelador (Vea los DATOS TÉCNICOS o los datos de la placa).
- ▶ Los alimentos pueden almacenarse en el congelador a una temperatura mínima de -18°C de 2 a 12 meses, dependiendo de sus propiedades (p. ej. carne: 3-12 meses, verduras: 6-12 meses)
- ▶ Cuando congele alimentos frescos, evite ponerlos en contacto con alimentos ya congelados. ¡Riesgo de descongelación!

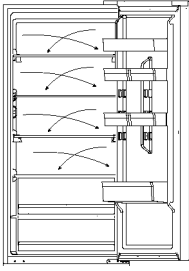
Cuando guarde alimentos congelados en tienda, siga estas directrices:

- Siempre siga las directrices de los fabricantes sobre el tiempo que debe almacenar los alimentos. ¡No exceda estas directrices!
- Trate de que el tiempo que pasa entre la compra y el almacenamiento sea el menor posible para preservar la calidad de los alimentos.
- Compre alimentos congelados que se hayan conservado a una temperatura de -18°C o menos.
- Evite comprar alimentos que tengan hielo o escarcha en el envase: esto indica que los productos podrían haber sido parcialmente descongelados y recongelados en algún punto (el aumento de la temperatura afecta a la calidad de los alimentos).



i AVISO

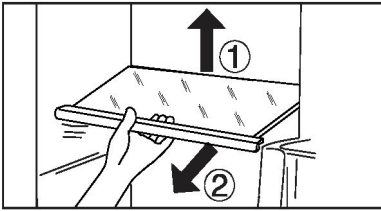
Debido a la existencia de diferentes modelos, es posible que su producto no tenga todas las características siguientes. Consulte el apartado Descripción del producto.!



Flujo de aire múltiple

El frigorífico está equipado con un sistema de flujo de aire múltiple, con el que se aseguran corrientes de aire frío en cada nivel de estante. Esto ayuda a mantener una temperatura uniforme para asegurar que sus alimentos se mantienen frescos por más tiempo.

Estante ajustable



1. La altura de los estantes se puede ajustar para adaptarse a sus necesidades de almacenamiento.
2. Para reubicar un estante, retírelo primero levantando su borde posterior ① y extráigalo ②.
3. Para volver a instalarlo, colóquelo en los rieles de ambos lados y empuje hasta que la parte trasera del estante se fije dentro de las ranuras laterales.

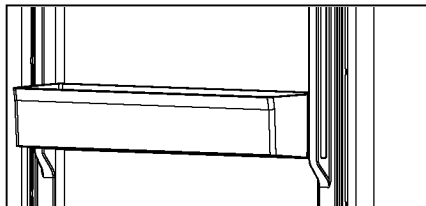
i AVISO

Asegúrese de que todos los extremos del estante estén nivelados.

Estante de la puerta extraíble

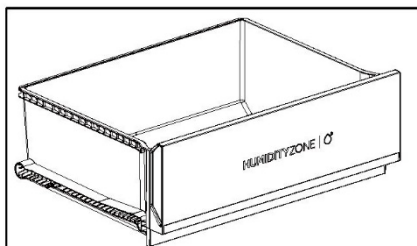
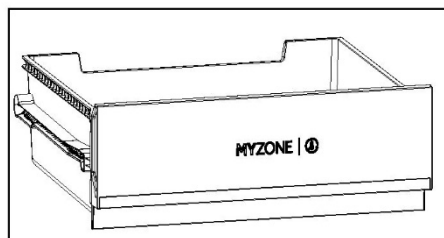
El estante de la puerta se puede retirar para su limpieza:

Coloque las manos en cada lado del estante, levántelo hacia arriba (1) y extráigalo (2). Para insertar el estante de la puerta, realice los pasos anteriores en orden inverso.



Cajón My Zone

Para utilizar y configurar el compartimento My Zone, revise la sección USO (My Zone).



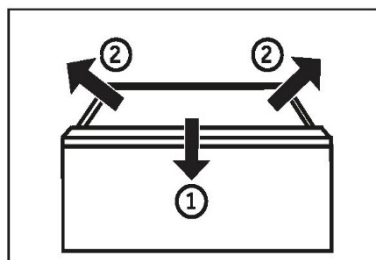
Cajón Humidity Zone

En este compartimento, el nivel de humedad está controlado automáticamente por el sistema y es adecuado para guardar fruta, verdura, ensaladas, etc.

Cajón extraíble

Para sacar el cajón del compartimento frigorífico o congelador, tire al máximo (1), levante y retire (2).

Para insertar el cajón, realice los pasos anteriores en orden inverso.



Cajón del congelador

El cajón del congelador se puede extender de forma recta y completa. Están montados en un riel telescópico de fácil desplazamiento. Así puede almacenar y extraer los alimentos congelados cómodamente. Gracias al mecanismo automático de cierre de la puerta, el manejo es fácil y puede ahorrar energía.



¡ADVERTENCIA!

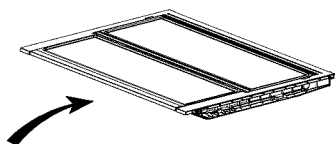
No sobrecargue los cajones: Carga máxima de cada cajón: ¡35 kg!

Luz

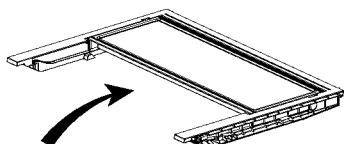
La luz interior LED se enciende al abrir la puerta. El rendimiento de las luces no se ve afectado por ninguna de las otras configuraciones del electrodoméstico.

Estante plegable

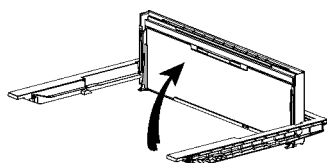
El estante plegable permitirá al usuario poner botellas o artículos altos en los estantes. El estante se puede plegar en la parte posterior, y así el espacio disponible del estante inferior será más grande. El estante se puede plegar según los pasos 1~3. Si desea volver al diseño original, invierta los siguientes procedimientos.



Paso 1: Empuje lentamente la parte frontal del estante hasta el final.



Paso 2: Empuje el estante hacia arriba lentamente hasta ponerlo en vertical.



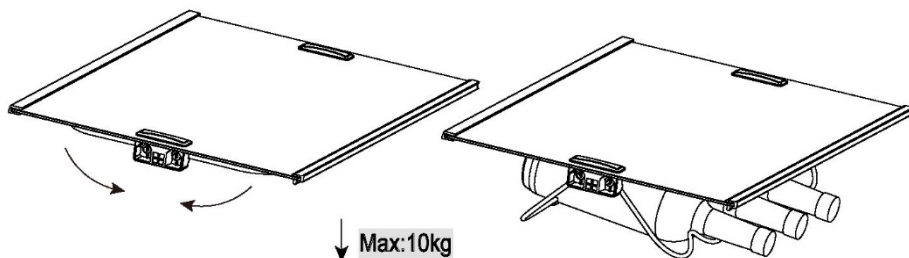
Paso 3: El estante queda vertical. Ahorrará espacio.

Estante para el vino plegable

Para el uso normal

1. Tire hacia abajo los soportes del estante para el vino.
2. Coloque las botellas en el botellero.

Cuando no se utiliza, el estante para el vino se puede plegar para ahorrar espacio.





Consejos de ahorro de energía

- ▶ Asegúrese de que el electrodoméstico esté bien ventilado (vea INSTALACIÓN).
- ▶ No instale el electrodoméstico bajo la luz directa del sol o cerca de fuentes de calor (p. ej.: fogones, estufas...).
- ▶ Evite una temperatura innecesariamente baja en el electrodoméstico. El consumo de energía aumenta con la disminución de la temperatura de ajuste en el electrodoméstico.
- ▶ Las funciones como SUPER FREEZE consumen más energía.
- ▶ Deje enfriar los alimentos calientes antes de introducirlos en el electrodoméstico.
- ▶ Abra la puerta del electrodoméstico lo menos y lo más brevemente posible.
- ▶ No llene en exceso el electrodoméstico para evitar obstruir la circulación de aire.
- ▶ Evite la presencia de aire dentro del embalaje de los alimentos.
- ▶ Mantenga las juntas de la puerta limpias para que la puerta se cierre siempre correctamente.
- ▶ Descongele alimentos congelados en el compartimento de almacenamiento del frigorífico o utilice la función D-Frost en el cajón My Zone.
- ▶ La configuración que ahorra más energía requiere que el cajón, las fiambreras y los estantes se coloquen en el electrodoméstico según el estado de fábrica, y que los alimentos se coloquen de modo que no bloqueen la salida de aire del conducto.

¡ADVERTENCIA!

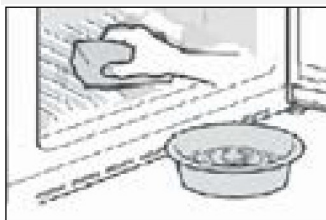
Desconecte el electrodoméstico de la fuente de alimentación antes de limpiarlo.

Limpieza

Limpie el electrodoméstico solo cuando haya pocos o ningún alimento guardado. Este electrodoméstico debe limpiarse cada cuatro semanas para realizar un buen mantenimiento y evitar malos olores.

¡ADVERTENCIA!

- ▶ No limpie el electrodoméstico con cepillos duros, cepillos de alambre, detergente en polvo, gasolina, acetato de amilo, acetona y soluciones orgánicas similares, soluciones ácidas o alcalinas. Limpie con un detergente especial para frigoríficos para evitar daños.
- ▶ No rocíe ni enjuague el electrodoméstico durante la limpieza.
- ▶ No use agua pulverizada o vapor para limpiar el electrodoméstico.
- ▶ No limpie los estantes de cristal fríos con agua caliente. Un cambio repentino de temperatura puede causar que el cristal se rompa.
- ▶ No toque la superficie interior del compartimento del electrodoméstico, especialmente con las manos mojadas, ya que las manos pueden congelarse en la superficie.
- ▶ En caso de calentamiento, compruebe el estado de los productos congelados.



- ▶ Mantenga siempre limpia la junta de la puerta.
- ▶ Limpie el interior y el armazón del electrodoméstico con una esponja humedecida en agua tibia y detergente neutro.
- ▶ 1. Frote el interior y el exterior del frigorífico, incluyendo la junta de la puerta, los estantes de la puerta, los estantes de cristal, los cajones, etc., con una toalla suave o una esponja sumergida en agua caliente (se puede añadir detergente neutro).
- ▶ 2. Si hay líquido derramado, retire todas las piezas contaminadas, enjuague directamente con agua corriente, seque y coloque las piezas de nuevo en el frigorífico.
- ▶ 3. Si hay productos cremosos derramados (como nata, helado derretido...), retire todas las piezas contaminadas, póngalas en agua caliente a unos 40 °C durante un rato, enjuague con agua corriente, séquelas y colóquelas de nuevo en el frigorífico.
- ▶ 4. En caso de que alguna parte o componente pequeño quede atascada dentro del frigorífico (entre las estanterías o los cajones), utilice un cepillo suave pequeño para sacarlo. Si no la alcanza, póngase en contacto con el servicio de Haier.



- ▶ Aclare y seque con un paño suave.
- ▶ No limpie ninguna de las piezas o partes de este electrodoméstico en un lavavajillas.
- ▶ Deje pasar al menos 5 minutos antes de reiniciar el electrodoméstico, ya que el arranque frecuente puede dañar el compresor.

Descongelación

La descongelación de los compartimentos frigorífico y congelador se realiza automáticamente: no se requiere ninguna operación manual.

Sustitución de las lámparas LED



¡ADVERTENCIA!

No sustituya usted mismo la lámpara LED, solo debe cambiarla el fabricante o un técnico autorizado.

Las lámparas utilizan LED como fuente de luz, con bajo consumo energético y larga vida útil. Si detecta alguna anomalía, póngase en contacto con el servicio de atención al cliente. Vea ATENCIÓN AL CLIENTE.

Parámetros de las lámparas:

Parte	Lámpara LED
Tensión	12 V
Potencia máxima	1,5 W
Especificaciones LED	Blanco-2835
Clase de eficiencia LED	G
Temperatura de uso	-40~80 °C

HDPW7620*, HTW7620*

Parte	Lámpara LED
Tensión	12 V
Potencia máxima	8 W
Especificaciones LED	Blanco-4014
Clase de eficiencia LED	G
Temperatura de uso	-30~60°C

Si no se utiliza durante un período más largo

Si el aparato no se utiliza durante un periodo de tiempo prolongado, y no va a utilizar la función Holiday para el frigorífico:

Saque la comida.

Desenchufe el cable de la toma de corriente.

Limpie el electrodoméstico como se ha descrito anteriormente.

Mantenga las puertas abiertas para evitar que se generen malos olores en el interior.



AVISO

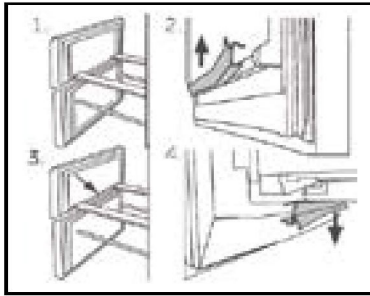
Apague el electrodoméstico solo si es estrictamente necesario.



Juntas de puerta auxiliares desmontables

Hay seis juntas de puerta auxiliares en los cajones superior e inferior del congelador.

1. Localice las cinco juntas de puerta indicadas en los cajones superior e inferior del congelador.
2. Asegúrese de que las partes dobladas de las juntas apunten hacia adentro mientras las coloca.
3. Coloque la junta inferior del cajón superior como se indica.
4. Asegúrese de que la parte doblada de esta junta apunta hacia abajo mientras la fija. Obtendrá estas juntas, así como las juntas de la puerta giratoria/cajón a través del servicio de atención al cliente (consulte la tarjeta de garantía).



Desplazar el electrodoméstico

1. Retire toda la comida y desenchufe el electrodoméstico.
2. Fije los estantes y otras partes móviles en el frigorífico y el congelador con cinta adhesiva.
3. No incline el frigorífico más de 45° para evitar dañar el sistema de refrigeración.



¡ADVERTENCIA!

- ▶ No levante el electrodoméstico por las asas.
- ▶ No coloque el electrodoméstico horizontalmente sobre el suelo.

Usted mismo puede resolver muchos de los problemas que puedan presentarse sin tener conocimientos específicos. En caso de que se produzca algún problema, compruebe todas las posibilidades ilustradas y siga las instrucciones pertinentes antes de ponerse en contacto con un servicio posventa. Véase ATENCIÓN AL CLIENTE.



¡ADVERTENCIA!

- ▶ Antes de realizar tareas de mantenimiento, desactive el electrodoméstico y desconecte el enchufe de la toma de corriente.
- ▶ Los equipos eléctricos solo deben ser revisados y manejados por electricistas expertos cualificados, ya que las reparaciones incorrectas pueden causar daños considerables en consecuencia.
- ▶ Si el sistema de alimentación está dañado, debe ser sustituido por el fabricante, por su servicio técnico o por cualquier profesional cualificado similar para evitar riesgos.

Tabla para la resolución de problemas

Problema	Causa posible	Solución posible
El compresor no funciona.	El enchufe no está conectado a la toma de corriente.	Conecte el enchufe.
	El electrodoméstico está en el ciclo de descongelación.	Esto es normal para una descongelación automática.
El electrodoméstico funciona con frecuencia o funciona durante un período de tiempo demasiado largo.	La temperatura interior o exterior es demasiado alta.	En este caso, es normal que el electrodoméstico funcione más tiempo.
	El electrodoméstico ha estado apagado durante cierto de tiempo.	Normalmente, lleva de 8 a 12 horas que el electrodoméstico se enfríe completamente.
	Una puerta/cajón del electrodoméstico no está bien cerrada.	Cierre la puerta/cajón y asegúrese de que el electrodoméstico esté ubicado sobre una superficie plana y que no haya alimentos o recipientes que impidan que la puerta se cierre bien.
	La puerta/cajón se ha abierto con demasiada frecuencia o durante mucho tiempo.	No abra la puerta/cajón con demasiada frecuencia.
	El ajuste de temperatura del compartimento congelador es demasiado bajo.	Ajuste una temperatura más alta hasta obtener una temperatura satisfactoria para el frigorífico. Se necesitan 24 horas para que la temperatura del frigorífico se mantenga estable.
	La junta de la puerta/cajón está sucia, desgastada, agrietada o desparejada.	Limpie la junta de la puerta/cajón o pídale al servicio de atención al cliente que la cambie.
La circulación de aire requerida no está garantizada.	Garantice una ventilación adecuada.	



Problema	Causa posible	Solución posible
El interior del frigorífico está sucio y/o huele mal.	El interior del frigorífico necesita limpieza.	Limpie el interior del frigorífico.
	Hay alimentos de olor fuerte guardados en el frigorífico.	Envuelva bien los alimentos.
La temperatura del interior del electrodoméstico no es lo suficientemente fría.	La temperatura establecida es demasiado alta.	Restablezca la temperatura.
	Se han almacenado alimentos demasiado calientes.	Enfríe siempre los alimentos antes de guardarlos.
	Se ha almacenado demasiada comida a la vez.	Guarde siempre pequeñas cantidades de alimentos.
	Los alimentos están demasiado cerca entre sí.	Deje un espacio entre varios alimentos para permitir que el aire fluya.
	Una puerta/cajón del electrodoméstico no está bien cerrada.	Cierre la puerta/cajón.
	La puerta/cajón se ha abierto con demasiada frecuencia o durante mucho tiempo.	No abra la puerta/cajón con demasiada frecuencia.
La temperatura del interior del electrodoméstico es demasiado fría.	La temperatura establecida es demasiado baja.	Restablezca la temperatura.
	La función Super Freeze está activada o ha estado funcionando demasiado tiempo.	Desactive la función Super Freeze.
Formación de humedad en el interior del compartimento frigorífico.	El ambiente es demasiado cálido y demasiado húmedo.	Aumente la temperatura.
	Una puerta/cajón del electrodoméstico no está bien cerrada.	Cierre la puerta/cajón.
	La puerta/cajón se ha abierto con demasiada frecuencia o durante mucho tiempo.	No abra la puerta/cajón con demasiada frecuencia.
	Hay recipientes de alimentos o líquidos abiertos.	Deje que los alimentos calientes se enfríen a temperatura ambiente y cubra los alimentos y líquidos.
Se acumula humedad fuera de la superficie o entre las puertas/puerta y cajón.	El ambiente es demasiado cálido y demasiado húmedo.	Esto es normal en un ambiente húmedo y cambiará cuando la humedad disminuya.
	La puerta/cajón no está bien cerrada.	Asegúrese de que la puerta/cajón está bien cerrada.
Los iconos de la pantalla parpadean sucesivamente y el sistema de refrigeración no funciona.	Está en modo demo	El frigorífico está enchufado a la corriente Mantenga pulsado el botón "ZONE" y pulse el botón "Eco Mode" cinco veces, entonces los iconos dejarán de parpadear sucesivamente.



Problema	Causa posible	Solución posible
Hay mucho hielo y escarcha en el compartimento congelador.	Los alimentos no están correctamente embalados.	Embale bien los alimentos siempre.
	Una puerta/cajón del electrodoméstico no está bien cerrada.	Cierre la puerta/cajón.
	La puerta/cajón se ha abierto con demasiada frecuencia o durante mucho tiempo.	No abra la puerta/cajón con demasiada frecuencia.
	La junta de la puerta/cajón está sucia, desgastada, agrietada o desparejada.	Limpie la junta de la puerta/cajón o cámbiela por una nueva.
	Algo en el interior impide que la puerta/cajón se cierren correctamente.	Vuelva a colocar los estantes, estantes de la puerta o contenedores internos para permitir que la puerta/cajón se cierre.
El electrodoméstico hace sonidos anormales.	El electrodoméstico no está ubicado sobre una superficie plana.	Ajuste las patas para nivelar el electrodoméstico.
	El electrodoméstico toca algún objeto a su alrededor.	Retire los objetos que haya alrededor del electrodoméstico.
Se oye un ligero sonido similar al del flujo de agua.	Esto es normal.	/
Oirá un pitido de alarma.	La puerta del compartimento frigorífico está abierta.	Cierre la puerta o silencie la alarma manualmente.
Oirá un débil zumbido.	El sistema anticondensación está en marcha.	Esto evita la condensación y es normal.
El sistema de iluminación o refrigeración interior no funciona.	El enchufe no está conectado a la toma de corriente.	Conecte el enchufe.
	La fuente de alimentación presenta alguna alteración.	Compruebe el suministro eléctrico a la habitación. Llame a la compañía eléctrica local.
	La lámpara LED no funciona.	Llame al servicio técnico para cambiar la lámpara.
Los lados del frigorífico y la tira de la puerta se calientan.	Esto es normal.	/
No sale agua por la salida del dispensador de agua	El bloqueo no está desactivado.	Desactive el bloqueo.



Interrupción del suministro

- ▶ En caso de un corte de luz, los alimentos deberían permanecer frescos y a salvo durante 13 horas. Siga estos consejos durante una interrupción prolongada del suministro, especialmente en verano.
- ▶ Abra la puerta/cajón lo menos posible.
- ▶ No introduzca más alimentos en el electrodoméstico durante un corte de luz.
- ▶ Si se da el aviso previo de un corte de luz y la duración de la interrupción es superior a 13 horas, fabrique algunos cubitos de hielo y póngalos en un recipiente en el estante superior del compartimento frigorífico.
- ▶ Inmediatamente después de la interrupción, es necesario llevar a cabo una inspección de los alimentos.
- ▶ Como la temperatura del frigorífico subirá durante una interrupción del suministro eléctrico u otro fallo, el período de conservación y la calidad comestible de los alimentos se reducirán. Cualquier alimento que se descongele debe consumirse, o bien cocinarse y volver a congelarse (cuando proceda) rápidamente para evitar riesgos para la salud.



AVISO

Función de memoria durante el corte de luz

En cuanto vuelva la luz, el electrodoméstico restablecerá los ajustes establecidos antes del corte de luz.

Para ponerse en contacto con el servicio de asistencia técnica, visite nuestro sitio web: <https://corporate.haier-eu-ropo.com/en/>

En la sección "website", elija la marca de su producto y su país. Se le redirigirá a la página web específica donde podrá encontrar el número de teléfono y otros modos de ponerse en contacto con el servicio de asistencia técnica.

Desempaquetado



¡ADVERTENCIA!

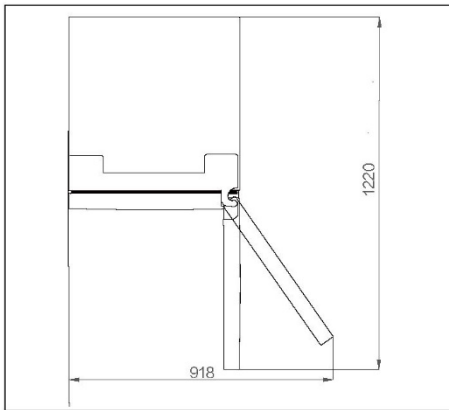
- ▶ Este es un electrodoméstico pesado. Manipúlelo con la ayuda de otra persona.
- ▶ Mantenga todo el material de embalaje fuera del alcance de los niños y deséchelo de forma respetuosa con el medio ambiente.
- ▶ Saque el electrodoméstico de su embalaje.
- ▶ Retire todos los materiales de embalaje.

Condiciones ambientales

La temperatura ambiente debería encontrarse siempre entre 10° C y 43° C, ya que puede influir en la temperatura del interior del frigorífico y en su consumo de energía. No instale el electrodoméstico cerca de otros electrodomésticos emisores de calor (hornos, neveras) sin aislamiento.

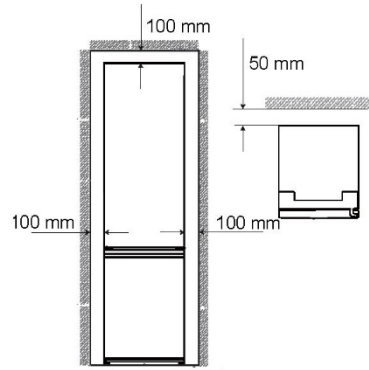
Requisitos de espacio

Espacio requerido con la puerta abierta.



Sección cruzada de ventilación

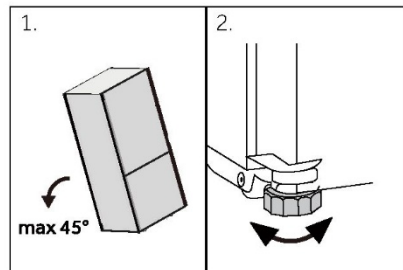
Para lograr una ventilación suficiente del electrodoméstico por razones de seguridad, debe observarse la información de las secciones cruzadas de ventilación requeridas.

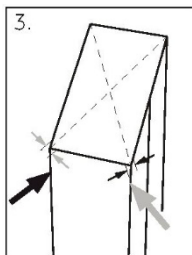


Nivelación del electrodoméstico

Este electrodoméstico debe colocarse sobre una superficie plana y sólida.

1. Incline el frigorífico ligeramente hacia atrás.
2. Ajuste las patas al nivel deseado. Asegúrese de que la distancia a la pared del lado de la bisagra sea de al menos 100 mm para que la puerta se abra correctamente.

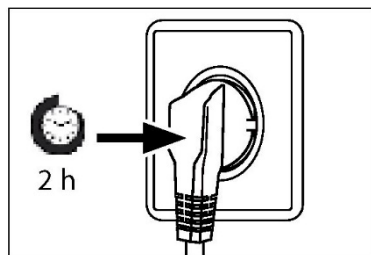




1. Puede comprobarse la estabilidad golpeando alternativamente las diagonales. El ligero bamboleo debe ser el mismo en ambas direcciones. De lo contrario, el marco puede deformarse y resultar en fugas en las juntas de la puerta. Una ligerísima inclinación hacia atrás facilita el cierre de las puertas.

i AVISO

Para un electrodoméstico independiente: este electrodoméstico de refrigeración no está diseñado para ser utilizado como un electrodoméstico integrado.



Tiempo de espera

El aceite de lubricación sin mantenimiento se encuentra en la cápsula del compresor. Este aceite puede pasar por el sistema de tuberías cerradas durante el transporte si el electrodoméstico está inclinado. Antes de conectar el electrodoméstico a la fuente de alimentación, espere al menos 2 horas para que el aceite vuelva a entrar en la cápsula.

Conexión eléctrica

Antes de cada conexión, compruebe si:

- ▶ La fuente de alimentación, la toma de corriente y el fusible son adecuados para la placa de clasificación.
- ▶ La toma de corriente tiene conexión a tierra y no tiene múltiples contactos ni extensiones.
- ▶ El enchufe y la toma de corriente encajan perfectamente.

Conecte el enchufe a una toma de corriente doméstica correctamente instalada.

! ¡ADVERTENCIA!

Para evitar riesgos, solo el servicio de atención al cliente debe reemplazar un cable de alimentación dañado (ver tarjeta de garantía).



Reversibilidad de la puerta

Antes de conectar el electrodoméstico a la fuente de alimentación, debe comprobar si la apertura de la puerta debe cambiar de derecha (por defecto) a izquierda por la ubicación de instalación y la facilidad de uso.



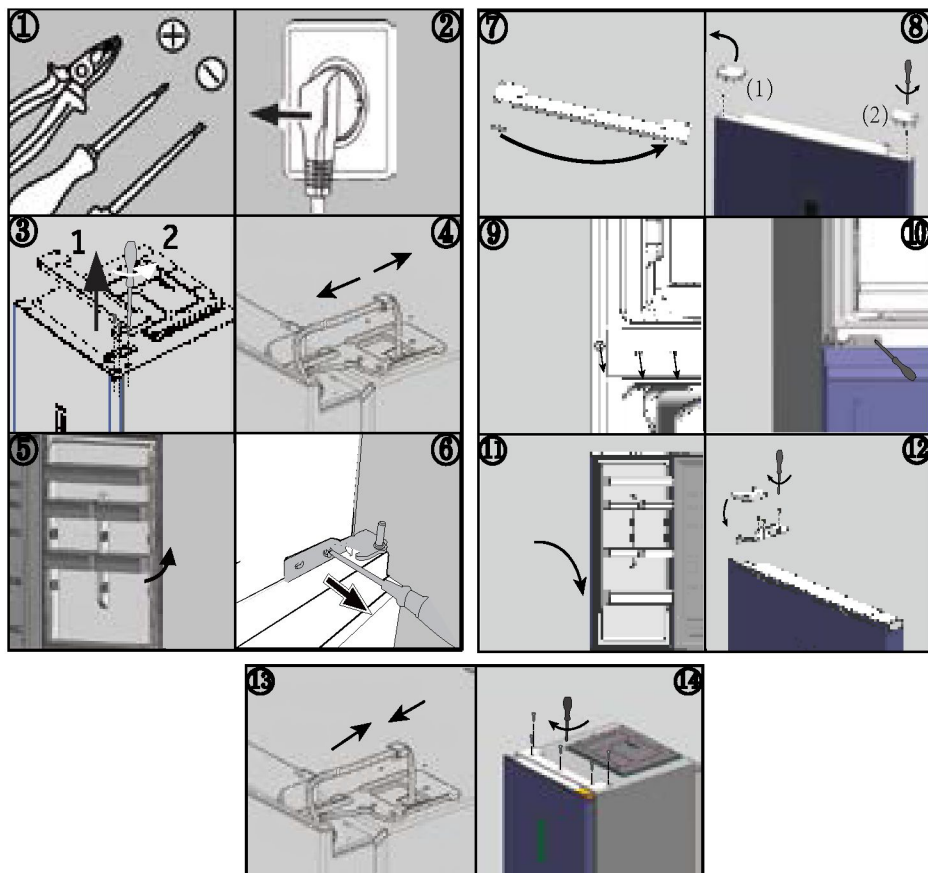
¡ADVERTENCIA!

- ▶ Este es un electrodoméstico pesado. Se necesitan dos personas para cambiar la reversibilidad de la puerta.
- ▶ Antes de realizar cualquier operación, desenchufe el electrodoméstico de la red eléctrica.
- ▶ No incline el electrodoméstico más de 45° para evitar daños en el sistema de refrigeración.

Pasos de montaje

1. Consiga las herramientas necesarias.
2. Desenchufe el electrodoméstico.
3. Retire la tapa superior de la bisagra 1 y desenrosque la bisagra superior (tres tornillos) a la derecha 2.
4. Desenchufe el cable de conexión.
5. Retire cuidadosamente la puerta del frigorífico suelta de la bisagra del medio.
6. Retire la bisagra central.
7. Retire la pequeña tapa del panel frontal de izquierda a derecha.
8. Dé la vuelta a la puerta y desenrosque la tapa (1). Saque la nueva tapa (2) de la bolsa necesaria y atorníllela al lado opuesto.
9. Cambie las posiciones de los tapones y el tornillo en el lateral.
10. Atornille la bisagra del medio al lado izquierdo del aparato. Preste atención a invertir el pivote de la bisagra central, asegurándose de que el lado con la junta quede hacia arriba.
11. Levante con cuidado la puerta superior sobre la bisagra del medio. Asegúrese de que el pivote encaja en el cuerpo de la bisagra de la puerta inferior.
12. Saque la nueva bisagra superior y la cubierta de la bisagra de la bolsa de accesorios. Pase el cable de conexión a través de la bisagra superior y fije la bisagra superior con los tres tornillos en el lado izquierdo del aparato. Ponga cubierta de la bisagra sobre la bisagra.
13. Conecte el cable de conexión.
14. Vuelva a colocar el panel frontal y fíjelo con cinco tornillos.

Después del cambio de la puerta, compruebe si las juntas de la puerta están bien colocadas en la carcasa y todos los tornillos están bien apretados.



Temperaturas ambiente

Templada extendida: este aparato de refrigeración está destinado a ser utilizado a una temperatura ambiente comprendida entre 10 °C y 32 °C.

Templada: este electrodoméstico de refrigeración está destinado a ser utilizado a una temperatura ambiente comprendida entre 16 °C y 32 °C.

Subtropical: este aparato de refrigeración está destinado a ser utilizado a una temperatura ambiente comprendida entre 16 °C y 38 °C.

Tropical: este aparato de refrigeración está destinado a ser utilizado a una temperatura ambiente comprendida entre 16 °C y 43 °C.



Parámetros del producto conforme al Reglamento (UE)2019/2016

Basado en los resultados de la prueba estándar de 24 horas. El consumo de energía real dependerá de la ubicación y del modo de uso del electrodoméstico.

Modelo	HTW5618DN*	HTW5620DN*	HTW5618EN*
Tipo de electrodoméstico frigorífico	Frigorífico-congelador	Frigorífico-congelador	Frigorífico-congelador
Clase de eficiencia energética	D	D	E
Consumo anual de energía (kWh/año)	217	226	271
Volumen del compartimento frigorífico (L)	201	255	201
Volumen del compartimento congelador (L)	125	125	125
Volumen del compartimento de refrigeración (L)	34	34	34
Clase de congelación	4 estrellas	4 estrellas	4 estrellas
Tipo de descongelación	Descongelación automática	Descongelación automática	Descongelación automática
Tiempo de aumento de la temperatura (h)	13	13	11
Capacidad de congelación (kg/24 h)	10,0	10,0	10,0
Clase climática	SN.N.ST.T	SN.N.ST.T	SN.N.ST.T
Clase de emisión de ruido y emisiones de ruido acústico en el aire (dB(A) re 1 pW)	B(35)	B(35)	B(35)



Modelo	HTW5618CN*	HTW5620CN*	HTW5620EN*
Tipo de electrodoméstico frigorífico	Frigorífico-congelador	Frigorífico-congelador	Frigorífico-congelador
Clase de eficiencia energética	C	C	E
Consumo anual de energía (kWh/año)	173	181	283
Volumen del compartimento frigorífico (L)	201	255	255
Volumen del compartimento congelador (L)	125	125	125
Volumen del compartimento de refrigeración (L)	34	34	34
Clase de congelación	4 estrellas	4 estrellas	4 estrellas
Tipo de descongelación	Descongelación automática	Descongelación automática	Descongelación automática
Tiempo de aumento de la temperatura (h)	13	13	11
Capacidad de congelación (kg/24 h)	10,0	10,0	10,0
Clase climática	SN.N.ST.T	SN.N.ST.T	SN.N.ST.T
Clase de emisión de ruido y emisiones de ruido acústico en el aire (dB(A) re 1 pW)	B(35)	B(35)	B(35)



Modelo	HDPW5618DN*	HDPW5620DN* HDPW3620DN*	HTW7620CN*
Tipo de electrodoméstico frigorífico	Frigorífico-congelador	Frigorífico-congelador	Frigorífico-congelador
Clase de eficiencia energética	D	D	C
Consumo anual de energía (kWh/año)	214	220	181
Volumen del compartimento frigorífico (L)	201	255	255
Volumen del compartimento congelador (L)	117	117	125
Volumen del compartimento de refrigeración (L)	34	34	34
Clase de congelación	4 estrellas	4 estrellas	4 estrellas
Tipo de descongelación	Descongelación automática	Descongelación automática	Descongelación automática
Tiempo de aumento de la temperatura (h)	13	13	13
Capacidad de congelación (kg/24 h)	10,0	10,0	10,0
Clase climática	SN.N.ST.T	SN.N.ST.T	SN.N.ST.T
Clase de emisión de ruido y emisiones de ruido acústico en el aire (dB(A) re 1 pW)	B(35)	B(35)	B(35)



Modelo	HDPW3618DN*	HDPW3620CN*	HTW3620DN*
Tipo de electrodoméstico frigorífico	Frigorífico-congelador	Frigorífico-congelador	Frigorífico-congelador
Clase de eficiencia energética	D	C	D
Consumo anual de energía (kWh/año)	214	176	226
Volumen del compartimento frigorífico (L)	201	255	255
Volumen del compartimento congelador (L)	117	117	125
Volumen del compartimento de refrigeración (L)	34	34	34
Clase de congelación	4 estrellas	4 estrellas	4 estrellas
Tipo de descongelación	Descongelación automática	Descongelación automática	Descongelación automática
Tiempo de aumento de la temperatura (h)	13	13	13
Capacidad de congelación (kg/24 h)	10,0	10,0	10,0
Clase climática	SN.N.ST.T	SN.N.ST.T	SN.N.ST.T
Clase de emisión de ruido y emisiones de ruido acústico en el aire (dB(A) re 1 pW)	B(35)	B(35)	B(35)



Modelo	HDPW5618CN*	HDPW5620CN*	HDPW5620AN* HDPW7620AN*
Tipo de electrodoméstico frigorífico	Frigorífico-congelador	Frigorífico-congelador	Frigorífico-congelador
Clase de eficiencia energética	C	C	A
Consumo anual de energía (kWh/año)	171	176	114
Volumen del compartimento frigorífico (L)	201	255	255
Volumen del compartimento congelador (L)	117	117	120
Volumen del compartimento de refrigeración (L)	34	34	34
Clase de congelación	4 estrellas	4 estrellas	4 estrellas
Tipo de descongelación	Descongelación automática	Descongelación automática	Descongelación automática
Tiempo de aumento de la temperatura (h)	13	13	16
Capacidad de congelación (kg/24 h)	10,0	10,0	10,0
Clase climática	SN.N.ST.T	SN.N.ST.T	SN.N.ST.T
Clase de emisión de ruido y emisiones de ruido acústico en el aire (dB(A) re 1 pW)	B(35)	B(35)	B(35)



Modelo	HDPW5620BN*	HTW7620DN*	HDPW7620AAN*
Tipo de electrodoméstico frigorífico	Frigorífico-congelador	Frigorífico-congelador	Frigorífico-congelador
Clase de eficiencia energética	B	D	A
Consumo anual de energía (kWh/año)	142	226	92
Volumen del compartimento frigorífico (L)	255	255	255
Volumen del compartimento congelador (L)	120	125	120
Volumen del compartimento de refrigeración (L)	34	34	34
Clase de congelación	4 estrellas	4 estrellas	4 estrellas
Tipo de descongelación	Descongelación automática	Descongelación automática	Descongelación automática
Tiempo de aumento de la temperatura (h)	13	13	16
Capacidad de congelación (kg/24 h)	10,0	10,0	12,0
Clase climática	SN.N.ST.T	SN.N.ST.T	SN.N.ST.T
Clase de emisión de ruido y emisiones de ruido acústico en el aire (dB(A) re 1 pW)	B(35)	B(35)	B(35)



Modelo	HTW5618DW*		
Tipo de electrodoméstico frigorífico	Frigorífico-congelador		
Clase de eficiencia energética	D		
Consumo anual de energía (kWh/año)	216		
Volumen del compartimento frigorífico (L)	198		
Volumen del compartimento congelador (L)	125		
Volumen del compartimento de refrigeración (L)	34		
Clase de congelación	4 estrellas		
Tipo de descongelación	Descongelación automática		
Tiempo de aumento de la temperatura (h)	13		
Capacidad de congelación (kg/24 h)	10,0		
Clase climática	SN.N.ST.T		
Clase de emisión de ruido y emisiones de ruido acústico en el aire (dB(A) re 1 pW)	B(35)		



Datos técnicos adicionales

Modelo	HTW5618DN*	HTW5618EN*	HTW5620DN*
Volumen total (L)	360	360	414
Voltaje/Frecuencia	220-240V/50Hz	220-240V/50Hz	220-240V/50Hz
Corriente de entrada (A)	1,4	1,4	1,4
Fusible principal (A)	16	16	16
Refrigerante	R600a(53g)	R600a(53g)	R600a(53g)
Dimensiones (A/P/A en mm)	595*667*1850	595*667*1850	595*667*2050

Modelo	HTW5618CN*	HTW5620CN*	HTW5620EN*
Volumen total (L)	360	414	414
Voltaje/Frecuencia	220-240V/50Hz	220-240V/50Hz	220-240V/50Hz
Corriente de entrada (A)	1,4	1,4	1,4
Fusible principal (A)	15	15	16
Refrigerante	R600a (50g)	R600a (50g)	R600a(53g)
Dimensiones (A/P/A en mm)	595*667*1850	595*667*2050	595*667*2050



Modelo	HDPW5618DN*	HDPW5620DN*	HDPW3620DN*
Volumen total (L)	352	406	406
Voltaje/Frecuencia	220-240V/50Hz	220-240V/50Hz	220-240V/50Hz
Corriente de entrada (A)	1,4	1,4	1,4
Fusible principal (A)	16	16	16
Refrigerante	R600a(53g)	R600a(53g)	R600a(53g)
Dimensiones (A/P/A en mm)	595*667*1850	595*667*2050	595*667*2050

Modelo	HDPW5618CN*	HDPW5620CN*	HDPW5620AN*
Volumen total (L)	352	406	409
Voltaje/Frecuencia	220-240V/50Hz	220-240V/50Hz	220-240V/50Hz
Corriente de entrada (A)	1,4	1,4	1,4
Fusible principal (A)	15	15	16
Refrigerante	R600a (50g)	R600a (50g)	R600a (50g)
Dimensiones (A/P/A en mm)	595*667*1850	595*667*2050	595*667*2050



Datos técnicos adicionales

Modelo	HDPW3618DN*	HDPW3620CN*	HTW3620DN*
Volumen total (L)	352	406	414
Voltaje/Frecuencia	220-240V/50Hz	220-240V/50Hz	220-240V/50Hz
Corriente de entrada (A)	1,4	1,4	1,4
Fusible principal (A)	16	15	16
Refrigerante	R600a(53g)	R600a (50g)	R600a(53g)
Dimensiones (A/P/A en mm)	595*667*1850	595*667*2050	595*667*2050

Modelo	HDPW7620AAN*	HDPW5620BN*	HDPW7620AN*
Volumen total (L)	409	409	409
Voltaje/Frecuencia	220-240V/50Hz	220-240V/50Hz	220-240V/50Hz
Corriente de entrada (A)	1,4	1,4	1,4
Fusible principal (A)	16	16	16
Refrigerante	R600a(55g)	R600a (50g)	R600a (50g)
Dimensiones (A/P/A en mm)	595*667*2050	595*667*2050	595*667*2050

**Datos técnicos adicionales**

Modelo	HTW7620DN*	HTW7620CN*	HTW5618DW*
Volumen total (L)	414	414	357
Voltaje/Frecuencia	220~240V/50Hz	220~240V/50Hz	220~240V/50Hz
Corriente de entrada (A)	1,4	1,4	1,4
Fusible principal (A)	16	15	16
Refrigerante	R600a(53g)	R600a (50g)	R600a(53g)
Dimensiones (A/P/A en mm)	595*667*2050	595*667*2050	595*667*1850



Recomendamos nuestro Servicio de atención al cliente Haier y el uso de repuestos originales.

Si tiene algún problema con su electrodoméstico, compruebe primero la sección SOLUCIÓN DE PROBLEMAS.

Si no encuentra una solución allí, póngase en contacto con

- ▶ su distribuidor local o
- ▶ nuestro Centro europeo de atención al cliente (ver números de teléfono listados abajo) o
- ▶ el área de servicio y asistencia en www.haier.com, donde puede activar la
- ▶ solicitud de servicio y encontrar las Preguntas frecuentes.

Para ponerse en contacto con nuestro Servicio, asegúrese de tener los siguientes datos disponibles.

Puede encontrar la información en la placa de datos.

Modelo _____

N.º de serie _____

Compruebe también la tarjeta de garantía suministrada con el producto en caso de garantía.

Centro europeo de atención al cliente		
País*	Número de teléfono	Costes
Haier Italy (IT)	199 100 912	
Haier Spain (ES)	902 509 123	
Haier Germany (DE)	0180 5 39 39 99	<ul style="list-style-type: none"> • 14 ct/min teléfono fijo • máx. 42 ct/min móvil
Haier Austria (AT)	0820 001 205	<ul style="list-style-type: none"> • 14,53 ct/min teléfono fijo • máx. 20 ct/min el resto
Haier United Kingdom (UK)	0333 003 8122	
Haier France (FR)	0980 406 409	



* Para otros países, consulte www.haier.com

Haier Europe Trading S.r.l

Sucursal Reino Unido

Westgate House, Westgate, Ealing

Londres, W5 1YY

*Duración de la garantía del electrodoméstico de refrigeración:

La garantía mínima es de: 2 años para los países de la UE, 3 años para Turquía, 1 año para el Reino Unido, 1 año para Rusia, 3 años para Suecia, 2 años para Serbia, 5 años para Noruega, 1 año para Marruecos, 6 meses para Argelia, Túnez sin garantía legal, al no requerirse.

*El período de piezas de repuesto para la reparación del aparato:

Los termostatos, los sensores de temperatura, las placas de circuito impresas y las fuentes de luz están disponibles durante un período mínimo de 7 años después de la comercialización de la última unidad del modelo.

Las asas, bisagras, bandejas y cestas lo están durante un período mínimo de 7 años, y las juntas durante un período mínimo de 10 años después de la comercialización de la última unidad del modelo.

*Para más información sobre el producto, consulte <https://eprel.ec.europa.eu/> o escanee el código QR en la etiqueta energética suministrada con el electrodoméstico.

5 Informations sur la sécurité

Avant la première utilisation 6

Installation 6

Utilisation quotidienne 7

10 Utilisation prévue**11 Description du produit****22 Panneau de commande****23 Utilisation**

Réglage de la température du réfrigérateur 24

Régler la température du congélateur 24

Réglage de la température de My Zone 24

Fonction Super Cool 25

Fonction Super Freeze 26

31 Matériel**35 Conseils d'économie d'énergie****36 Entretien et nettoyage****39 Dépannage****43 Installation****47 Données techniques****58 Service clientèle**

Veillez cliquer sur le contenu pour obtenir des informations détaillées.



Merci d'avoir acheté un produit Haier.

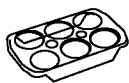
Veuillez lire attentivement ces instructions avant d'utiliser cet appareil. Les instructions contiennent des informations importantes qui vous aideront à tirer le meilleur parti de l'appareil et à assurer l'installation, l'utilisation et l'entretien sûrs et appropriés de celui-ci.

Conservez ce manuel dans un endroit facilement accessible afin que vous puissiez toujours vous y référer pour une utilisation sûre et appropriée de l'appareil.

Si vous vendez l'appareil, si vous le donnez ou si vous le laissez lorsque vous déménagez, assurez-vous que vous transmettez également ce manuel pour que le nouveau propriétaire puisse se familiariser avec l'appareil et les consignes de sécurité.

Accessoires

Vérifiez les accessoires et la littérature conformément à cette liste :



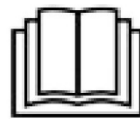
Casier à œufs



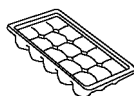
Étiquette
énergétique



Carte de
garantie



Manuel d'utilisation



Bac à glaçons



Charnières
de porte



Couvre
charnière



Cache

**AVERTISSEMENT – Informations importantes
en matière de sécurité****INFORMATION : informations générales et conseils****Informations environnementales****Mise au rebut**

Contribuez à protéger l'environnement et la santé humaine. Jetez l'emballage dans les bacs correspondants pour le recycler. Participez au recyclage des déchets d'appareils électriques et électroniques. Ne jetez pas les appareils marqués de ce symbole avec les déchets ménagers. Ramenez le produit à votre déchetterie locale ou contactez votre bureau municipal.

**AVERTISSEMENT !**

Risque de blessure ou de suffocation !

Les frigorigènes et les gaz doivent être éliminés par un professionnel. Assurez-vous que le tube du circuit réfrigérant n'est pas endommagé avant d'être correctement éliminé. Débranchez l'appareil du secteur. Coupez le câble d'alimentation et jetez-le. Retirez les clayettes et les tiroirs ainsi que le verrou et les joints de la porte, afin d'éviter que les enfants et les animaux domestiques ne se retrouvent enfermés dans l'appareil.

Avant d'allumer l'appareil pour la première fois, lisez les conseils de sécurité suivants :



AVERTISSEMENT !

Avant la première utilisation

- ▶ Assurez-vous qu'il n'a pas été endommagé pendant le transport.
- ▶ Retirez tous les emballages et gardez-les hors de portée des enfants.
- ▶ Attendez au moins deux heures avant d'installer l'appareil afin de vous assurer que le circuit réfrigérant fonctionne parfaitement.
- ▶ Manipulez toujours l'appareil à deux personnes au moins, car il est lourd.

Installation

- ▶ L'appareil doit être placé dans un endroit bien ventilé. Garantissez un espace d'au moins 10 cm au-dessus et autour de l'appareil.
- ▶ Ne placez jamais l'appareil dans un endroit humide ou un endroit où il pourrait être éclaboussé d'eau. Nettoyez et séchez les éclaboussures d'eau et les taches avec un chiffon doux et propre.
- ▶ N'installez pas l'appareil en plein soleil ou à proximité de sources de chaleur (par ex. cuisinières, chauffages).
- ▶ Installez et mettez à niveau l'appareil dans une zone adaptée à sa taille et à son utilisation.
- ▶ Maintenez les ouvertures de ventilation situées dans l'appareil ou dans la structure encastrée libres de toute obstruction.
- ▶ Assurez-vous que les informations électriques figurant sur la plaque signalétique sont conformes à l'alimentation électrique. Si ce n'est pas le cas, contactez un électricien.
- ▶ L'appareil est alimenté par une alimentation de 220-240 VCA/50 Hz. Les variations anormales de tension peuvent provoquer l'arrêt de l'appareil ou endommager le régulateur de température ou le compresseur, ou il peut y avoir un bruit anormal lors du fonctionnement. Dans ce cas, un régulateur automatique doit être monté.
- ▶ N'utilisez pas d'adaptateurs multiprises ni de rallonges.
- ▶ Ne placez pas de systèmes multiprises portatifs ou d'alimentations portatives à l'arrière de l'appareil.
- ▶ Assurez-vous que le câble d'alimentation n'est pas coincé par le réfrigérateur. Ne marchez pas sur le câble d'alimentation.



AVERTISSEMENT !

- ▶ Utilisez une prise de terre séparée pour l'alimentation électrique qui soit facile d'accès. L'appareil doit être mis à la terre.
Uniquement pour le Royaume-Uni : le câble d'alimentation de l'appareil est équipé d'une fiche 3 pôles (de mise à la terre) qui s'adapte à une prise standard 3 pôles (de mise à la terre). Ne coupez jamais ou ne démontez jamais la troisième broche (mise à la terre). Une fois l'appareil installé, la fiche doit être accessible.
- ▶ N'endommagez pas le circuit réfrigérant.

Utilisation quotidienne

- ▶ Cet appareil peut être utilisé par des enfants à partir de 8 ans et par des personnes ayant des capacités physiques, sensorielles ou mentales réduites ou un manque d'expérience et de connaissances, s'ils sont sous surveillance ou si on leur a appris à utiliser l'appareil en toute sécurité et s'ils comprennent les risques courus.
- ▶ Les enfants âgés de 3 à 8 ans sont autorisés à remplir et vider les appareils de réfrigération, mais ne sont pas autorisés à les nettoyer ni à les installer.
- ▶ Gardez les enfants âgés de moins de 3 ans à l'écart de l'appareil à moins qu'ils ne soient constamment surveillés.
- ▶ Les enfants ne doivent pas jouer avec l'appareil.
- ▶ Si du gaz réfrigérant ou tout autre gaz inflammable fuit à proximité de l'appareil, fermez la vanne du gaz qui fuit, ouvrez les portes et les fenêtres et ne débranchez pas le câble d'alimentation du réfrigérateur ou de tout autre appareil.
- ▶ Notez que l'appareil est conçu pour fonctionner dans une plage de température ambiante spécifique comprise entre 10 °C et 43 °C. L'appareil peut ne pas fonctionner correctement s'il est laissé pendant une longue période à une température inférieure ou supérieure à la plage indiquée.
- ▶ Ne placez pas d'objets instables (objets lourds, récipients remplis d'eau) sur le dessus du réfrigérateur, pour éviter les blessures corporelles causées par une chute ou une électrocution causée par le contact avec de l'eau.
- ▶ Ne tirez pas sur les balconnets. La porte peut être tirée en biais, le porte-bouteilles peut être retiré ou l'appareil risque de basculer.
- ▶ Ouvrez et fermez les portes uniquement avec les poignées. L'écart entre les portes et entre les portes et le compartiment est très étroit. Ne mettez pas vos mains dans ces zones pour éviter de vous pincer les doigts. Ouvrez ou fermez les portes du réfrigérateur uniquement lorsqu'il n'y a pas d'enfants dans le rayon de mouvement de la porte.



AVERTISSEMENT !

- ▶ Ne conservez pas et n'utilisez pas de matières corrosives, explosives ou inflammables dans l'appareil ou à proximité.
- ▶ Ne conservez pas de médicaments, de bactéries ou d'agents chimiques dans l'appareil. Cet appareil est un appareil électroménager. Il n'est pas recommandé pour stocker des produits qui nécessitent des températures strictes.
- ▶ Ne conservez jamais des liquides dans des bouteilles ou des canettes (en dehors des spiritueux avec un degré d'alcool très élevé), en particulier les boissons gazeuses, dans le congélateur car ceux-ci pourraient exploser durant la congélation.
- ▶ Vérifiez l'état des aliments si l'intérieur du congélateur s'est réchauffé.
- ▶ Ne réglez pas une température inutilement basse dans le compartiment du réfrigérateur. Des températures inférieures peuvent se produire à des réglages élevés. Attention : les bouteilles peuvent éclater
- ▶ Ne touchez pas les produits surgelés avec les mains mouillées (portez des gants). Ne mangez surtout pas les glaces à l'eau juste après les avoir sorties du compartiment congélateur. Vous risquez de vous blesser ou de vous brûler à cause du froid. Premiers secours : mettez immédiatement sous l'eau froide. Ne retirez pas !
- ▶ Ne touchez pas la surface intérieure du compartiment congélateur lorsqu'il est en fonctionnement, en particulier avec les mains mouillées, car vos mains peuvent geler sur la surface.
- ▶ Débranchez l'appareil en cas de coupure de courant ou avant de le nettoyer. Attendez au moins 7 minutes avant de redémarrer l'appareil, car des démarrages trop fréquents risqueraient d'endommager le compresseur.
- ▶ N'utilisez pas des appareils électriques à l'intérieur des compartiments de conservation des aliments de l'appareil, sauf s'ils correspondent aux modèles recommandés par le fabricant. Entretien/nettoyage
- ▶ Veillez à superviser les enfants s'ils effectuent le nettoyage et l'entretien.
- ▶ Débranchez l'appareil du secteur avant d'effectuer tout entretien courant. Attendez au moins 5 minutes avant de redémarrer l'appareil, car des démarrages trop fréquents risqueraient d'endommager le compresseur.

**AVERTISSEMENT !**

- ▶ Tenez la fiche, pas le câble, lorsque vous débranchez l'appareil.
- ▶ Ne nettoyez pas l'appareil à l'aide de brosses dures, de brosses métalliques, de détergents en poudre, d'essence, d'acétate d'amyle, d'acétone et de solutions organiques similaires, d'acides ou de solutions alcalines. Nettoyez-le avec un détergent spécial pour réfrigérateur afin d'éviter de l'endommager.
- ▶ Ne raclez pas le givre et la glace avec des objets tranchants. N'utilisez pas de pulvérisateurs ni de réchauffeurs électriques comme des nettoyeurs à vapeur, des sèche-cheveux ou d'autres sources de chaleur pour éviter d'endommager les pièces en plastique.
- ▶ N'utilisez pas de dispositifs mécaniques ou d'autres moyens pour accélérer le processus de dégivrage, hormis ceux recommandés par le fabricant.
- ▶ Si le cordon d'alimentation est endommagé, faites-le remplacer par le fabricant, le service clientèle ou un électricien qualifié pour éviter tout risque d'accident.
- ▶ N'essayez pas de réparer, démonter ou modifier l'appareil vous-même. En cas de réparation, veuillez contacter notre service clientèle.
- ▶ Éliminez la poussière à l'arrière de l'appareil au moins une fois par an pour éviter tout risque d'incendie, ainsi que l'augmentation de la consommation d'énergie.
- ▶ Ne pulvérisiez pas et ne rincez pas l'appareil pendant le nettoyage.
- ▶ N'utilisez pas de jet d'eau ou de vapeur pour nettoyer l'appareil.
- ▶ Ne nettoyez pas les clayettes froides en verre à l'eau chaude. Un changement soudain de température peut casser le verre.

Informations sur les gaz réfrigérants**AVERTISSEMENT !**

L'appareil contient de l'ISOBUTANE, un réfrigérant inflammable (R600a). Assurez-vous que le circuit du réfrigérant n'est pas endommagé pendant le transport ou l'installation. Les fuites de frigorigène peuvent provoquer des blessures oculaires ou s'enflammer. Si un dommage s'est produit, gardez les sources de feu ouvert à l'écart, aérez complètement la pièce, ne branchez pas ou ne débranchez pas les cordons d'alimentation de l'appareil ou de tout autre appareil. Informez le service clientèle.

En cas de contact du réfrigérant avec les yeux, rincez-les immédiatement à l'eau courante et appelez immédiatement un oculiste.



Utilisation prévue

Cet appareil est destiné à réfrigérer et à congeler les aliments. Il a été conçu exclusivement pour une utilisation dans les habitations et des applications similaires telles que les espaces de cuisine dans les magasins, bureaux et autres environnements de travail ; les habitations rurales et par les clients dans les hôtels, motels et autres environnements de type résidentiel, ainsi que dans les chambres d'hôtes ou B&B et activités de restauration. Il n'est pas destiné à un usage commercial ou industriel.

Les changements ou modifications apportés à l'appareil ne sont pas autorisés. Une utilisation non prévue peut entraîner des risques et la perte de garantie.

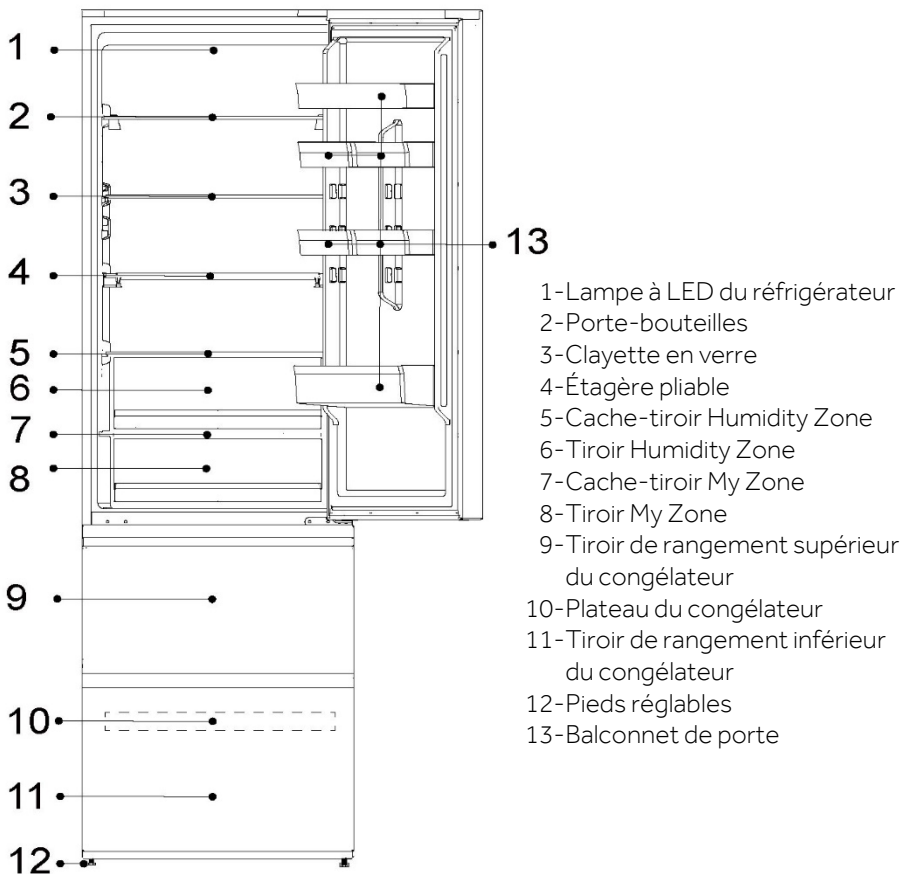
Normes et directives **CE**

Ce produit satisfait aux exigences de toutes les directives CE applicables avec les normes harmonisées correspondantes, qui prévoient le marquage CE.

i INFORMATION

En raison des changements techniques et de différents modèles, certaines des illustrations de ce manuel peuvent différer de votre modèle.

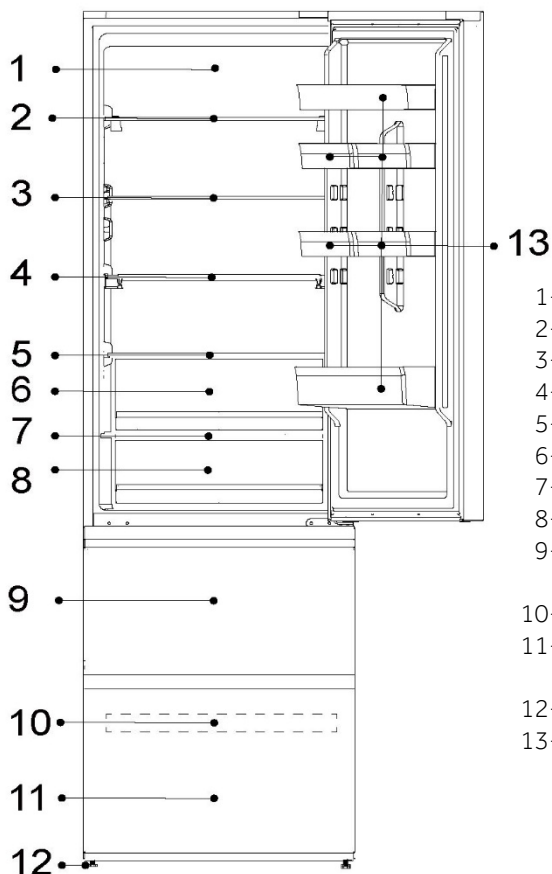
(HTW5620DN*, HTW5620CN*, HTW5620EN*)



i INFORMATION

En raison des changements techniques et de différents modèles, certaines des illustrations de ce manuel peuvent différer de votre modèle.

(HTW7620AN*, HTW7620CN*, HTW7620DN*)



1-Système LED lumière du jour

2-Porte-bouteilles

3-Clayette en verre

4-Étagère pliable

5-Cache-tiroir Humidity Zone

6-Tiroir Humidity Zone

7-Cache-tiroir My Zone

8-Tiroir My Zone

9-Tiroir de rangement supérieur du congélateur

10-Plateau du congélateur

11-Tiroir de rangement inférieur du congélateur

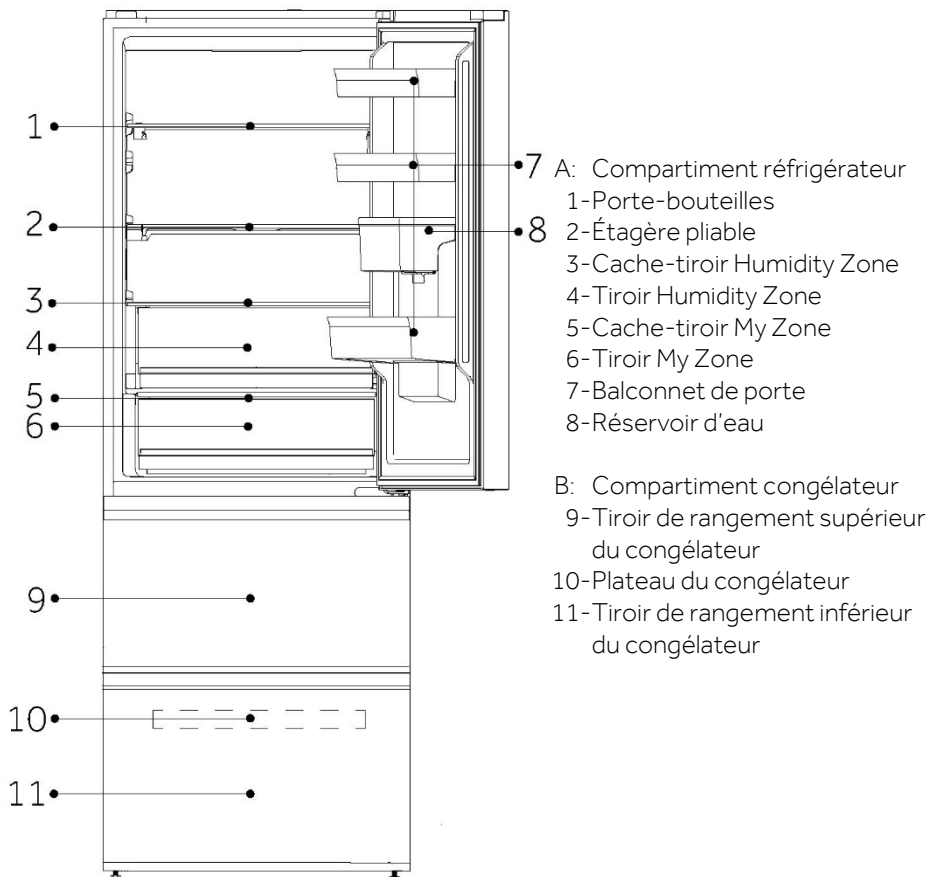
12-Pieds réglables

13-Balconnet de porte

i INFORMATION

En raison des changements techniques et de différents modèles, certaines des illustrations de ce manuel peuvent différer de votre modèle.

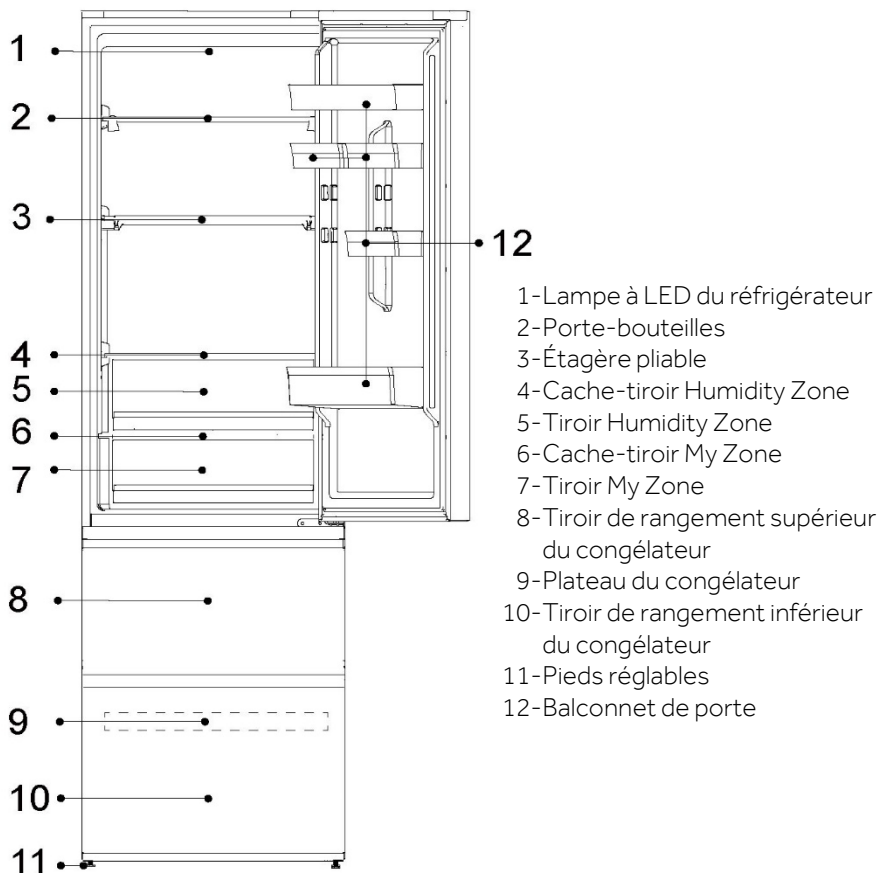
(HTW5618DW*)



i INFORMATION

En raison des changements techniques et de différents modèles, certaines des illustrations de ce manuel peuvent différer de votre modèle.

(HTW5618DN*, HTW5618CN*, HTW5618EN*)

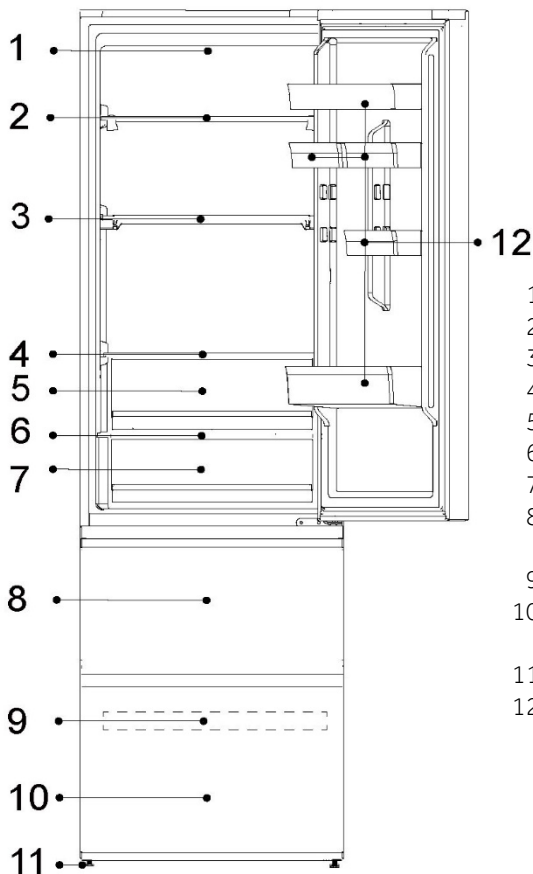


- 1-Lampe à LED du réfrigérateur
- 2-Porte-bouteilles
- 3-Étagère pliable
- 4-Cache-tiroir Humidity Zone
- 5-Tiroir Humidity Zone
- 6-Cache-tiroir My Zone
- 7-Tiroir My Zone
- 8-Tiroir de rangement supérieur du congélateur
- 9-Plateau du congélateur
- 10-Tiroir de rangement inférieur du congélateur
- 11-Pieds réglables
- 12-Balconnet de porte

i INFORMATION

En raison des changements techniques et de différents modèles, certaines des illustrations de ce manuel peuvent différer de votre modèle.

(HTW3620DN*)

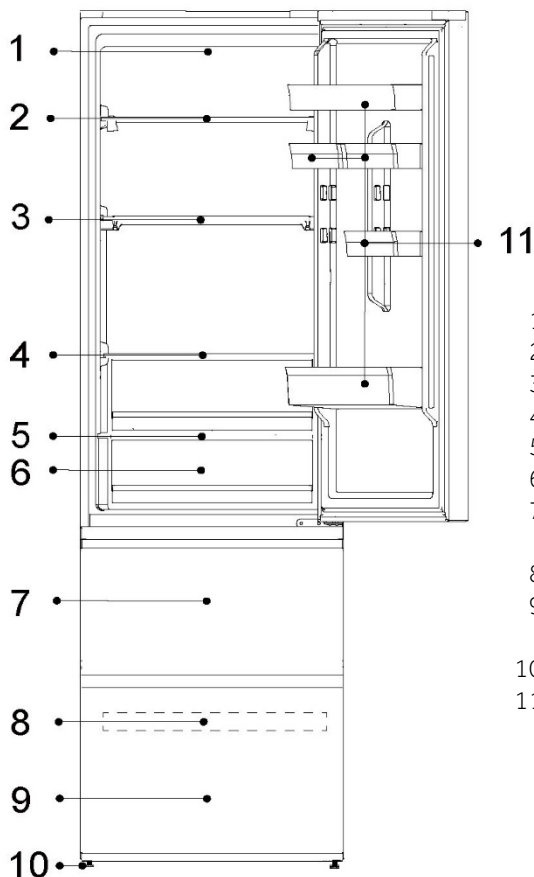


- 1-Lampe à LED du réfrigérateur
- 2-Clayette en verre
- 3-Clayette en verre
- 4-Clayette en verre
- 5-Clayette en verre
- 6-Cache-tiroir My Zone
- 7-Tiroir My Zone
- 8-Tiroir de rangement supérieur du congélateur
- 9-Plateau du congélateur
- 10-Tiroir de rangement inférieur du congélateur
- 11-Pieds réglables
- 12-Balconnet de porte

i INFORMATION

En raison des changements techniques et de différents modèles, certaines des illustrations de ce manuel peuvent différer de votre modèle.

(HTW3618DN*, HTW3618CN*, HTW3618EN*)

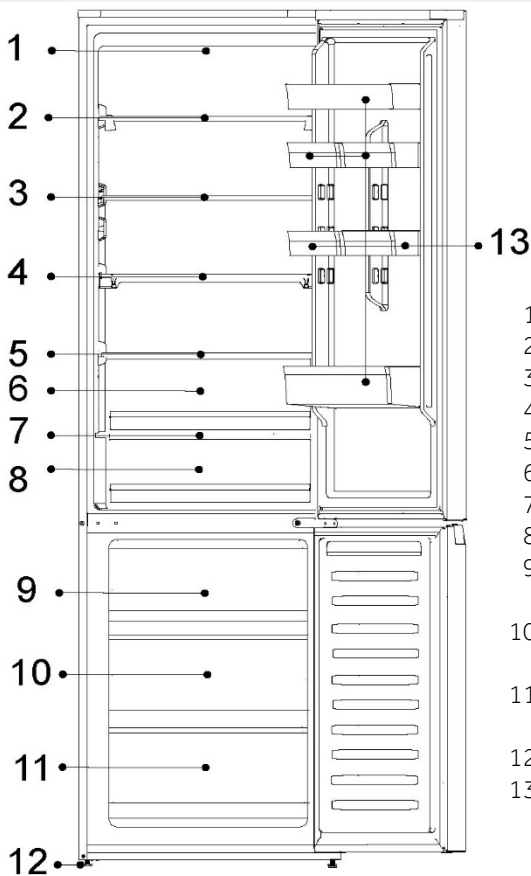


- 1-Lampe à LED du réfrigérateur
- 2-Clayette en verre
- 3-Clayette en verre
- 4-Clayette en verre
- 5-Cache-tiroir My Zone
- 6-Tiroir My Zone
- 7-Tiroir de rangement supérieur du congélateur
- 8-Plateau du congélateur
- 9-Tiroir de rangement inférieur du congélateur
- 10-Pieds réglables
- 11-Balconnet de porte

i INFORMATION

En raison des changements techniques et de différents modèles, certaines des illustrations de ce manuel peuvent différer de votre modèle.

(HDPW5620DN*, HDPW5620CN*, HDPW5620AN*, HDPW5620BN*)

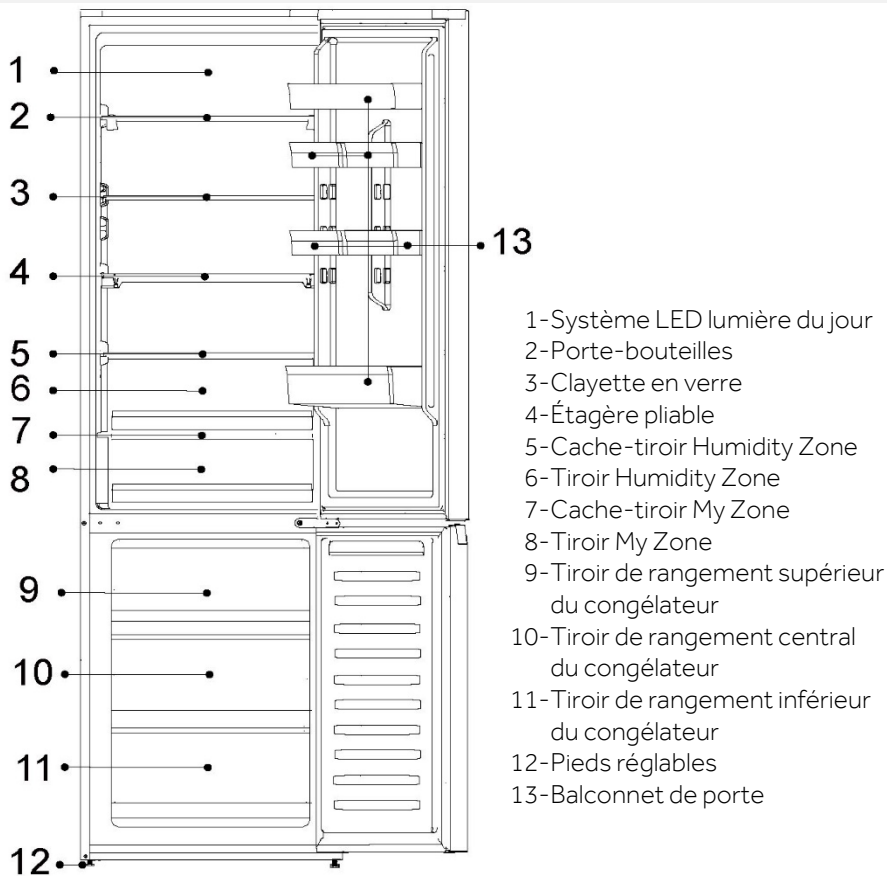


- 1-Lampe à LED du réfrigérateur
- 2-Porte-bouteilles
- 3-Clayette en verre
- 4-Étagère pliable
- 5-Cache-tiroir Humidity Zone
- 6-Tiroir Humidity Zone
- 7-Cache-tiroir My Zone
- 8-Tiroir My Zone
- 9-Tiroir de rangement supérieur du congélateur
- 10-Tiroir de rangement central du congélateur
- 11-Tiroir de rangement inférieur du congélateur
- 12-Pieds réglables
- 13-Balconnet de porte

i INFORMATION

En raison des changements techniques et de différents modèles, certaines des illustrations de ce manuel peuvent différer de votre modèle.

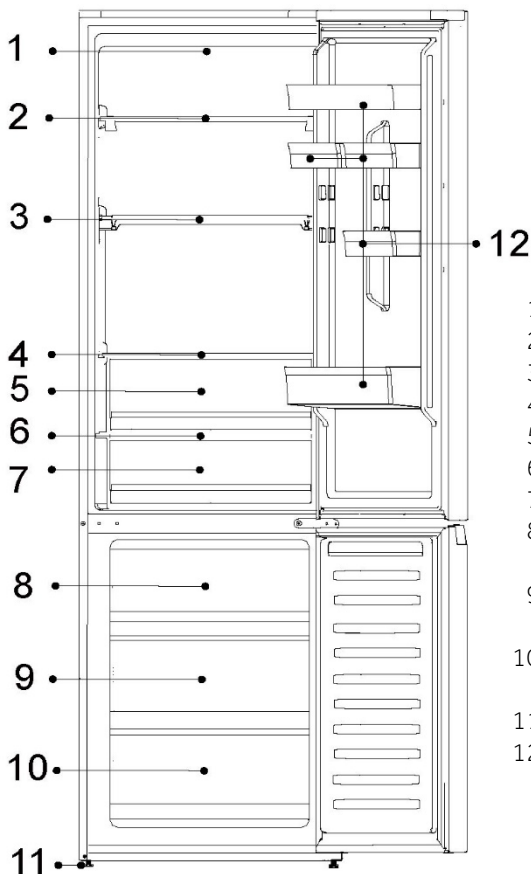
(HDPW7620AN*, HDPW7620AAN*)



i INFORMATION

En raison des changements techniques et de différents modèles, certaines des illustrations de ce manuel peuvent différer de votre modèle.

(HDPW5618DN*, HDPW5618CN*)

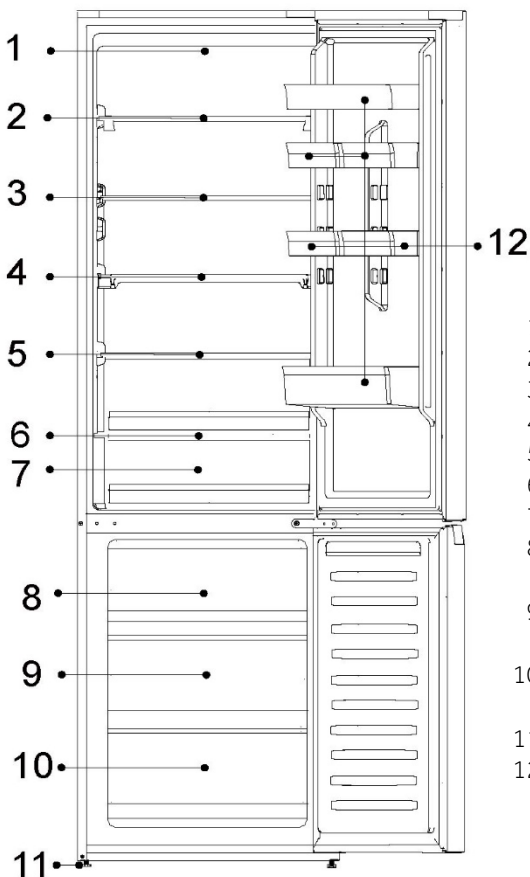


- 1-Lampe à LED du réfrigérateur
- 2-Porte-bouteilles
- 3-Étagère pliable
- 4-Cache-tiroir Humidity Zone
- 5-Tiroir Humidity Zone
- 6-Cache-tiroir My Zone
- 7-Tiroir My Zone
- 8-Tiroir de rangement supérieur du congélateur
- 9-Tiroir de rangement central du congélateur
- 10-Tiroir de rangement inférieur du congélateur
- 11-Pieds réglables
- 12-Balconnet de porte

i INFORMATION

En raison des changements techniques et de différents modèles, certaines des illustrations de ce manuel peuvent différer de votre modèle.

(HDPW3620DN*, HDPW3620CN*)

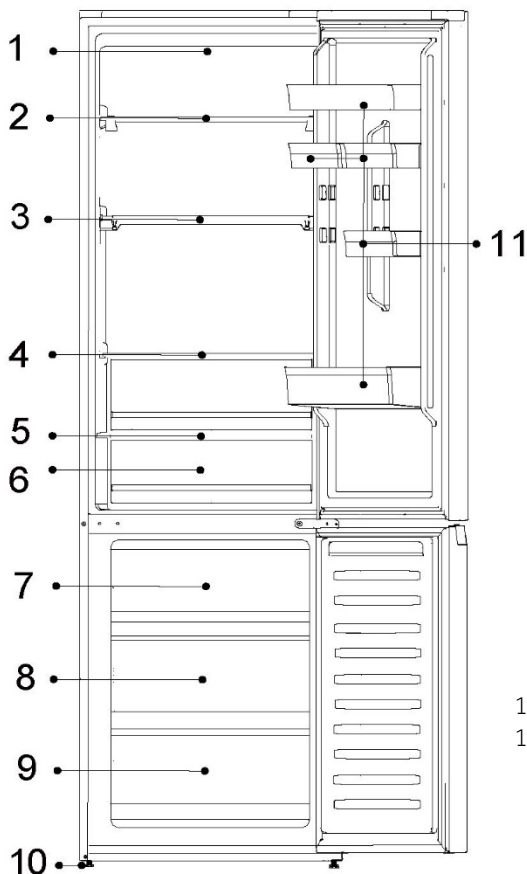


- 1-Lampe à LED du réfrigérateur
- 2-Clayette en verre
- 3-Clayette en verre
- 4-Clayette en verre
- 5-Clayette en verre
- 6-Cache-tiroir My Zone
- 7-Tiroir My Zone
- 8-Tiroir de rangement supérieur du congélateur
- 9-Tiroir de rangement central du congélateur
- 10-Tiroir de rangement inférieur du congélateur
- 11-Pieds réglables
- 12-Balconnet de porte

i INFORMATION

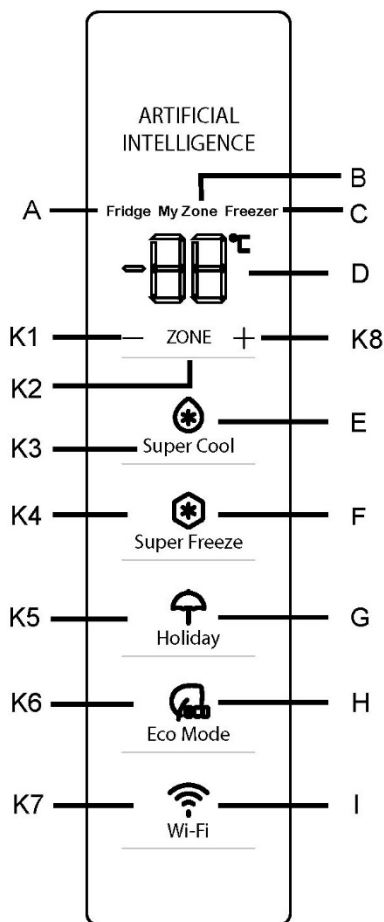
En raison des changements techniques et de différents modèles, certaines des illustrations de ce manuel peuvent différer de votre modèle.

(HDPW3618DN*)



- 1-Lampe à LED du réfrigérateur
- 2-Clayette en verre
- 3-Clayette en verre
- 4-Clayette en verre
- 5-Cache-tiroir My Zone
- 6-Tiroir My Zone
- 7-Tiroir de rangement supérieur du congélateur
- 8-Tiroir de rangement central du congélateur
- 9-Tiroir de rangement inférieur du congélateur
- 10-Pieds réglables
- 11-Balconnet de porte

Panneau de commande



Indicateurs :

- A Compartiment réfrigérateur
- B Compartiment fraîcheur (My Zone)
- C Compartiment congélateur
- D Affichage de la température
- E Fonction Super Cool
- F Fonction Super Freeze
- G Fonction Holiday
- H Fonction Eco Mode I Fonction Wi-Fi

Touches :

- K1 Diminuer la température
- K2 Sélection de Fridge, My Zone et Freezer
- K3 Marche/arrêt de la fonction Super Cool
- K4 Marche/arrêt de la fonction Super Freeze
- K5 Marche/arrêt de la fonction Holiday
- K6 Marche/arrêt de la fonction Eco Mode
- K7 Marche/arrêt de la fonction Wi-Fi
- K8 Augmenter la température

Avant la première utilisation

Retirez tous les emballages, gardez-les hors de la portée des enfants, puis jetez-les d'une manière respectueuse de l'environnement. Nettoyez l'intérieur et l'extérieur de l'appareil ainsi que les accessoires avec de l'eau et un détergent doux, puis séchez-le bien avec un chiffon doux. Une fois l'appareil de niveau et nettoyé, attendez au moins 2 heures avant de le brancher à l'alimentation électrique. Voir la section INSTALLATION. Pré-réfrigérez les compartiments à des réglages élevés avant de les remplir d'aliments. La fonction Super Freeze permet de refroidir rapidement le compartiment congélateur.

Touches tactiles

Les touches du panneau de commande sont des touches tactiles qui réagissent dès que le doigt les touche légèrement.

Allumer / éteindre l'appareil

L'appareil fonctionne dès qu'il est branché sur l'alimentation électrique. Lorsque l'appareil est sous tension pour la première fois, les indicateurs de température « D » indiquent les valeurs de pré réglage (reportez-vous à l'information ci-dessous).

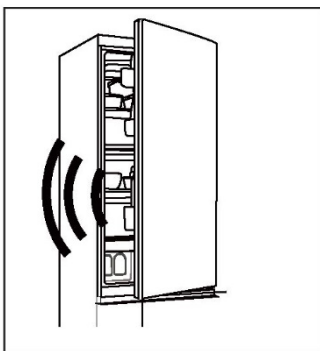
INFORMATION

L'appareil est pré réglé à la température recommandée de 5 °C (réfrigérateur) et de -18 °C (congélateur). La température de My Zone est pré réglée à environ 2 °C. Ce sont les paramètres recommandés. Si vous le souhaitez, vous pouvez modifier ces températures manuellement.

Alarme d'ouverture de porte

Lorsque la porte du réfrigérateur reste ouverte pendant plus de 3 minutes, l'alarme d'ouverture de porte retentit.

L'alarme peut être interrompue en fermant la porte. Si la porte reste ouverte pendant plus de 7 minutes, la lumière à l'intérieur du réfrigérateur et l'éclairage du panneau de commande s'éteignent automatiquement.



Régler la température

Les températures intérieures sont influencées par les facteurs suivants :

- ▶ Température ambiante
- ▶ Fréquence d'ouverture de la porte
- ▶ Quantité d'aliments stockés
- ▶ Installation de l'appareil



Réglage de la température du réfrigérateur

1. Appuyez sur la touche « K2 » (sélection de Fridge/ (My Zone)/ Freezer) pour sélectionner le compartiment du réfrigérateur. Les icônes « A » (compartiment réfrigérateur) et « D » (affichage de la température) s'allument.
2. Appuyez sur la touche « K1/K8 » pour régler la température du réfrigérateur. La température augmente par séquences de 1 °C, allant d'un minimum de 2 °C à un maximum de 8 °C. La température optimale dans le réfrigérateur est de 5 °C. Des températures plus froides entraînent une consommation d'énergie inutile.
3. Après environ 5 secondes, l'icône de température « D » (affichage de la température) s'allume de façon permanente et le réglage est confirmé.

Régler la température du congélateur

1. Appuyez sur la touche « K2 » (sélection de Fridge/ (My Zone)/ Freezer) pour sélectionner la température du compartiment de congélation. Les icônes « C » (compartiment congélateur) et « D » (affichage de la température) s'allument.
2. Appuyez sur la touche « K1/K8 » pour régler la température du congélateur. La température augmente par séquences de 1 °C, allant d'un minimum de -24 °C à un maximum de -16 °C. La température optimale dans le réfrigérateur est de -18 °C. Des températures plus froides entraînent une consommation d'énergie inutile.
3. Après environ 5 secondes, l'indicateur de température « D » (affichage de la température) s'allume de façon permanente et le réglage est confirmé.

Réglage de la température de My Zone

Le compartiment réfrigérateur est équipé d'un tiroir My Zone. En fonction des exigences de conservation des aliments, la température la plus adaptée peut être sélectionnée pour obtenir la valeur nutritive optimale des aliments.

1. Appuyez sur la touche « K2 » (sélection de Fridge/ (My Zone)/ Freezer) pour sélectionner le compartiment My Zone. Les icônes « B » (compartiment My Zone) et « D » (affichage de la température) s'allument.
2. Appuyez sur la touche « K1/K8 » pour régler la température de My Zone. La température augmente par séquences de 1 °C, allant d'un minimum de 0 °C à un maximum de 5 °C.
3. Après environ 5 secondes, l'icône de température « D » (affichage de la température) s'allume de façon permanente et le réglage est confirmé.



i INFORMATION

1. Vous pouvez régler la température du compartiment My Zone au niveau intermédiaire (2 °C), afin de préserver vos aliments dans un environnement de conservation optimal.
2. En raison des différents teneurs en eau de la viande, certaines viandes contenant plus d'humidité seront congelées à des températures inférieures à 0 °C. Ainsi, la viande « tout juste coupée » doit être conservée dans le tiroir My Zone, avec une température minimale de 0 °C.
3. Les fruits sensibles au froid comme l'ananas, l'avocat, la banane, le pamplemousse et les légumes tels que les pommes de terre, les aubergines, les haricots, les concombres, les courgettes et les tomates ainsi que le fromage ne doivent pas être conservés dans le tiroir My Zone.
4. Si la température du réfrigérateur est inférieure à la température de My Zone, il est normal que la température de My Zone soit inférieure à la température de réglage de My Zone.
5. Si la température ambiante est inférieure à 8 °C, la température du tiroir My Zone sera toujours proche de 0 °C.

i INFORMATION

Après avoir réglé la température, si d'autres touches sont enfoncées dans les 5 secondes, le réglage actuel de la température est immédiatement confirmé. Si aucune opération n'est effectuée dans les 5 secondes, la température définie actuelle reste affichée jusqu'à ce que l'écran s'éteigne.

i INFORMATION

Depuis l'application, il est possible de personnaliser la température pour le réfrigérateur, le congélateur et My Zone. La température peut être réglée avec une sensibilité de 1 °C.

Fonction Super Cool

1. Il est suggéré d'activer la fonction Super Cool lorsqu'une grande quantité d'aliments doit être conservée (par exemple après avoir fait les courses). La fonction Super Cool accélère le refroidissement des aliments frais et protège les aliments déjà entreposés du réchauffement indésirable.
2. Appuyez sur la touche « K3 » ou activez la fonction à partir de l'application, l'icône « E » (fonction Super Cool) est allumée et la fonction est activée.



INFORMATION

1. L'appareil quitte la fonction « Super Cool » après avoir passé 6 heures en fonction « Super Cool » ou lorsque vous appuyez sur la touche « K3 » alors que l'icône « E » (fonction Super Cool) est allumée ou lorsque vous la quittez depuis l'application.
2. En mode « Super Cool », si la température du compartiment du réfrigérateur est réglée, l'icône « E » (fonction Super Cool) clignote pour indiquer que cette opération ne peut pas être effectuée.

Fonction Super Freeze

1. Les aliments frais doivent être congelés le plus rapidement possible au cœur. Cela permet de préserver une valeur nutritive, un aspect et un goût optimal. La fonction Super Freeze accélère la congélation des aliments frais et protège les aliments déjà entreposés du réchauffement indésirable. Si vous avez besoin de congeler une grande quantité d'aliments en une fois, il est recommandé de régler la fonction Super Freeze à l'avance pendant 24 h avant d'utiliser la chambre congelée.
2. Appuyez sur la touche « K4 » (réglage de la fonction Super Freeze) ou activez-la depuis l'application. L'icône « F » (fonction Super Freeze) est allumée et la fonction est activée.

INFORMATION

1. L'appareil quitte la fonction « Super Freeze » après avoir passé 50 heures en fonction « Super Freeze » ou lorsque vous appuyez sur la touche « K4 » alors que l'icône « F » (fonction Super Freeze) est allumée ou lorsque vous la quittez depuis l'application.
2. En mode « Super Freeze », si la température du compartiment congélateur est réglée, l'icône « F » (fonction Super Freeze) clignote pour indiquer que cette opération ne peut pas être effectuée.

Fonction Holiday

La fonction Holiday peut être utilisée pour réduire la consommation d'énergie de l'appareil lorsqu'il n'est pas utilisé régulièrement. Lorsque la fonction est activée, le réfrigérateur est éteint, tandis que le congélateur continue de fonctionner normalement. Cette fonction permet de régler la température du réfrigérateur de façon permanente à 17 °C.

Cela permet de garder la porte du réfrigérateur vide fermée sans que des odeurs ou des moisissures se développent pendant une longue absence (p.ex. pendant les vacances). Le compartiment congélateur peut être réglé librement.

1. Appuyez sur la touche « K5 » (marche/arrêt de la fonction Holiday) ou sélectionnez la fonction sur l'application. L'icône « G » (fonction Holiday) s'allume et la fonction est activée.
2. La fonction peut être désactivée en appuyant à nouveau sur la touche « K5 » (marche/arrêt de la fonction Holiday), en réglant la température du réfrigérateur ou en effectuant tout autre réglage, ou en l'éteignant depuis l'application.

INFORMATION

1. En mode Holiday, aucun aliment ne doit être conservé dans le compartiment du réfrigérateur. La température de 17 °C est trop élevée pour conserver les aliments.
2. Lorsque la fonction Holiday est activée, l'icône My Zone s'éteint et la fonction réfrigérateur est verrouillée. Si la température du compartiment réfrigérateur est réglée, l'icône « G » (fonction Holiday) clignote pour indiquer que cette opération ne peut pas être effectuée.

Fonction Eco Mode

L'Eco Mode peut être activé pour optimiser les performances de l'appareil, tout en obtenant la meilleure conservation des aliments. Si vous n'avez pas d'exigences particulières, nous vous recommandons d'utiliser la fonction Eco Mode.

Avec ce mode, la température du réfrigérateur est de 5 °C, la température de congélation est de -18 °C.

1. Appuyez sur la touche « K6 » (marche/arrêt de la fonction Eco Mode) ou sélectionnez la fonction depuis l'application.
2. L'icône « H » (fonction Eco Mode) s'allume et la fonction est activée.

En répétant les étapes ci-dessus ou en sélectionnant une autre fonction ou en l'éteignant depuis l'application, cette fonction peut être désactivée à nouveau. Les niveaux de refroidissement prédéfinis sont rétablis.

INFORMATION

En Eco Mode, si la température du compartiment réfrigérateur/congélateur est réglée, l'icône « H » (fonction Eco Mode) clignote pour indiquer que cette opération ne peut pas être effectuée.

Étape 1 Téléchargez l'application hOn dans les stores.



Étape 2 Créez votre compte sur l'application hOn ou connectez-vous si vous possédez déjà un compte.



Étape 3 Suivez les instructions d'appairage dans l'application hOn.



Fonction Wi-Fi

1. Suivez les instructions de l'application pour configurer le Wi-Fi.
2. Une fois le Wi-Fi configuré et la connexion établie, l'icône Wi-Fi « I » est allumée et fixe.
3. Si le Wi-Fi a déjà été configuré, il se reconnectera automatiquement en fonction des informations de configuration lorsque vous l'allumerez.

INFORMATION

1. Pour désactiver le Wi-Fi, appuyez sur la touche Wi-Fi « K7 » et l'icône Wi-Fi « I » s'éteint.
2. Pour activer le Wi-Fi et démarrer la configuration, appuyez sur la touche Wi-Fi « K7 » et l'icône Wi-Fi « I » commence à clignoter lentement. Si vous souhaitez configurer la fonction Wi-Fi, appuyez sur la touche « K7 » pendant 3 secondes. L'icône Wi-Fi clignote rapidement et passe en mode de configuration. Si vous souhaitez désactiver la fonction Wi-Fi, appuyez une fois sur la touche « K7 ». Répétez les étapes ci-dessus.
3. Si le produit a été configuré et que la fonction Wi-Fi a été désactivée, le réfrigérateur n'entrera pas en mode de configuration une fois reconnecté à l'alimentation.

INFORMATION

1. Ce produit n'est pas destiné à un usage commercial.
2. Puissance de sortie RF maximale : Wi-Fi 2,4 GHz : 16 dBm ;
3. Bluetooth LE : 5 dBm ; Bluetooth (BR/EDR) : 10 dBm.
4. Bande de fréquence de fonctionnement : 2 400-2 483,5 MHz.

Conservation dans le compartiment réfrigérateur

- Conservez la température de votre réfrigérateur en dessous de 5 °C.
- Les aliments chauds doivent avoir refroidi à température ambiante avant d'être placés dans l'appareil.
- Les aliments conservés au réfrigérateur doivent être lavés et essuyés avant de les entreposer.
- Les aliments à conserver doivent être bien emballés hermétiquement pour éviter les odeurs ou l'altération du goût.
- Ne conservez pas des quantités excessives d'aliments. Laissez de la place entre les aliments pour permettre à l'air froid de circuler autour d'eux, pour un refroidissement meilleur et plus homogène.
- Les aliments consommés quotidiennement doivent être conservés à l'avant de la clayette.
- Laissez un espace entre les aliments et les parois intérieures, pour permettre la circulation de l'air. Ne placez en aucun cas d'aliments contre la paroi arrière : les aliments pourraient y geler. Évitez tout contact direct des aliments (en particulier les aliments gras ou acides) avec le revêtement intérieur, car l'huile/l'acide peut éroder le revêtement intérieur. Nettoyez les saletés grasses/acides chaque fois que vous en découvrez.
- Les aliments congelés peuvent être légèrement décongelés dans le compartiment du réfrigérateur. Cela permet d'économiser de l'énergie.
- Le vieillissement des fruits et des légumes comme les courgettes, les melons, la papaye, la banane, l'ananas, etc. peut être accéléré au réfrigérateur. Par conséquent, il n'est pas recommandé de les conserver au réfrigérateur. Cependant, la maturation des fruits très verts peut être favorisée pendant une certaine période. Les oignons, l'ail, le gingembre et les autres légumes-racines doivent également être conservés à température ambiante.
- Les odeurs désagréables à l'intérieur du réfrigérateur sont un signe que quelque chose a été renversé et qu'il faut nettoyer. Voir Entretien et nettoyage.
- Différents aliments doivent être placés dans différents endroits en fonction de leurs propriétés.

Conservation dans le compartiment congélateur

- Maintenez la température du congélateur à -18 °C.
- 24 heures avant la congélation, activez la fonction Super-Freeze. Pour de petites quantités d'aliments, 4-6 heures suffisent.
- Les aliments chauds doivent avoir refroidi à température ambiante avant d'être placés dans le compartiment congélateur.
- Les aliments coupés en petites portions congèleront plus rapidement et seront plus faciles à décongeler et à cuire. Le poids recommandé pour chaque portion est inférieur à 2,5 kg



- Il vaut mieux emballer les aliments avant de les mettre dans le congélateur. L'extérieur de l'emballage doit être sec pour éviter que les sacs ne collent les uns aux autres. Les matériaux d'emballage doivent être exempts d'odeurs, étanches à l'air et non toxiques.
- Afin d'éviter l'expiration des périodes de conservation, veuillez noter la date de congélation, la limite de temps et le nom des aliments présents sur l'emballage en fonction des périodes de conservation des différents aliments.



AVERTISSEMENT !

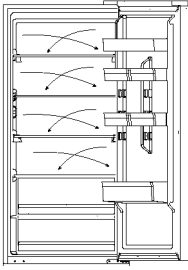
- ▶ Les acides, les alcalis et le sel, etc., pourraient éroder la surface interne du congélateur.
- ▶ Ne placez pas les aliments contenant ces substances (par ex. poissons de mer) directement sur la surface interne. L'eau salée dans le congélateur doit être nettoyée immédiatement.
- ▶ Ne dépassez pas le temps de conservation des aliments recommandé par les fabricants. Ne sortez que la quantité requise d'aliments du congélateur.
- ▶ Consommez rapidement les aliments décongelés. Les aliments décongelés ne peuvent pas être recongelés à moins qu'ils ne soient d'abord cuits, sans quoi ils risqueraient de devenir impropres à la consommation.
- ▶ Ne pas mettre de quantités excessives d'aliments frais dans le compartiment congélateur. Reportez-vous à la capacité de congélation du congélateur – Voir les DONNÉES TECHNIQUES ou les données sur la plaque signalétique.
- ▶ Les aliments peuvent être conservés au congélateur à une température d'au moins -18°C pendant 2 à 12 mois, en fonction de leurs propriétés (par ex. viande : 3-12 mois, légumes : 6-12 mois)
- ▶ Lorsque vous congelez des aliments frais, évitez de les mettre en contact avec des aliments déjà congelés. Risque de décongélation !

Lorsque vous conservez des aliments surgelés achetés dans le commerce, veuillez suivre ces directives :

- Suivez toujours les directives du fabricant pour la durée de conservation des aliments. Ne dépassez pas ces directives !
- Essayez de garder le temps entre l'achat et le stockage le plus court possible pour préserver la qualité des aliments.
- Achetez des aliments surgelés, qui ont été conservés à une température de -18°C ou moins.
- Évitez d'acheter des aliments qui ont de la glace ou du givre sur l'emballage : cela indique que les produits ont pu être partiellement décongelés et recongelés à un certain moment et les hausses de température affectent la qualité des aliments.

i INFORMATION

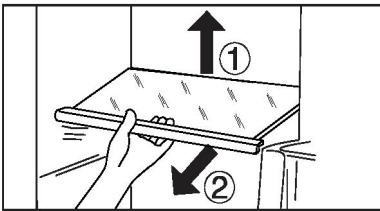
En raison des différents modèles, votre produit peut ne pas avoir toutes les fonctions suivantes. Reportez-vous au chapitre Description du produit.



Flux multi-air

Le réfrigérateur est équipé d'un système à flux multi-air, avec lequel des flux d'air froids se trouvent au niveau de chaque clayette. Cela permet de maintenir une température uniforme afin de garantir que vos aliments conservent leur fraîcheur pendant plus longtemps.

Clayette réglable



1. La hauteur des clayettes peut être réglée en fonction de vos besoins de rangement.
2. Pour déplacer une clayette, retirez-la d'abord en levant son bord arrière ① et en la tirant ②.
3. Pour la remettre en place, placez-la sur les ergots des deux côtés et poussez-la dans la position la plus reculée jusqu'à ce que l'arrière de la clayette soit fixé à l'intérieur des fentes sur les côtés.

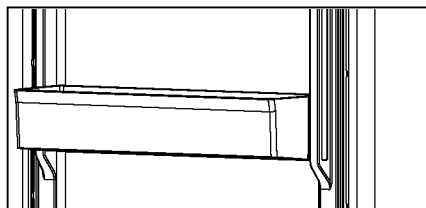
i INFORMATION

Assurez-vous que toutes les extrémités d'une clayette sont au même niveau.

Balcon de porte amovible

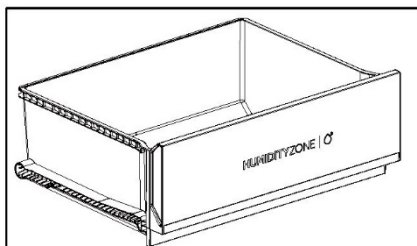
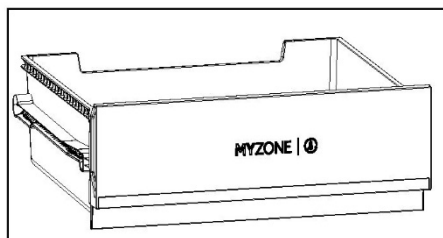
Le balcon de porte peut être enlevé pour le nettoyage :

Placez les mains de chaque côté du balconnet, soulevez-le (1) et tirez-le (2). Pour insérer le balconnet de porte, vous devez suivre les étapes ci-dessus dans l'ordre inverse.



Tiroir My Zone

Pour l'utilisation et le réglage du compartiment My Zone, consultez la section UTILISATION (My Zone).



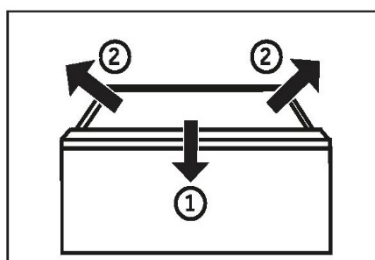
Tiroir Humidity Zone

Dans ce compartiment, le niveau d'humidité est contrôlé automatiquement par le système et permet de stocker fruits, légumes, salades, etc.

Tiroir amovible

Pour retirer le tiroir du réfrigérateur ou du congélateur, tirez-le à fond vers l'extérieur (1), soulevez et retirez le tiroir (2).

Pour réintroduire le tiroir, vous devez effectuer les étapes ci-dessus dans l'ordre inverse.



Tiroir du congélateur

Le tiroir du congélateur peut être sorti entièrement en le gardant bien droit. Ils sont montés sur un rail télescopique à roulettes, afin que vous puissiez stocker et retirer les aliments congelés confortablement. Grâce au mécanisme de fermeture automatique de la porte, la manipulation est facile et vous économisez de l'énergie.



AVERTISSEMENT !

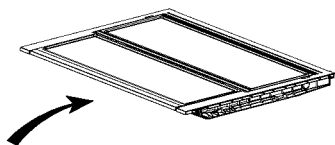
Ne surchargez pas les tiroirs: Charge maximale de chaque tiroir : 35 kg !

La lumière

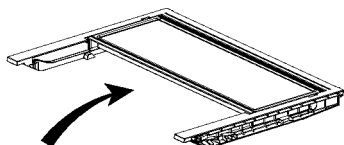
La lumière LED à l'intérieur s'allume lorsque la porte est ouverte.
Le fonctionnement des lumières n'est affecté par aucun des autres réglages de l'appareil.

Étagère pliable

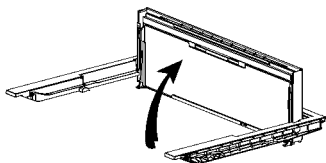
La clayette rabattable permet à l'utilisateur de placer des bouteilles hautes ou des articles sur les clayettes. La clayette peut être rabattue vers l'arrière afin de maximiser l'espace disponible de la clayette inférieure. La clayette peut être rabattue comme indiqué aux étapes 1~3. Pour revenir à la position d'origine, inversez les procédures suivantes.



Étape 1 : Poussez lentement l'avant de la clayette jusqu'à l'extrémité.



Étape 2 : Poussez doucement la clayette vers le haut jusqu'à son emplacement vertical.



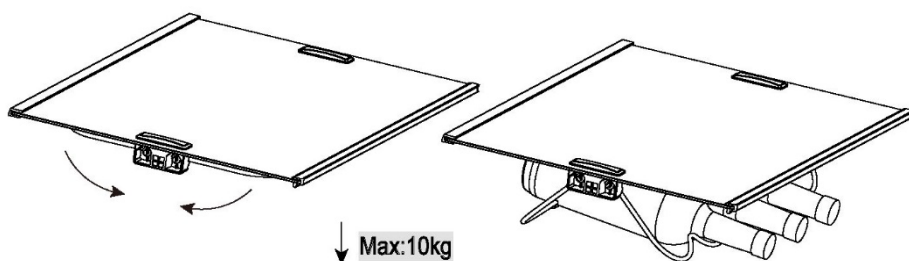
Étape 3 : L'étagère est à la verticale. Cela permet de gagner de la place.

Porte-bouteilles rabattable

Pour une utilisation normale

1. Tirez vers le bas les supports du porte-bouteilles
2. Placez les bouteilles dans le porte-bouteilles

Lorsqu'il n'est pas utilisé, le porte-bouteilles peut être rabattu vers l'arrière afin de gagner de la place.





Conseils d'économie d'énergie

- ▶ Assurez-vous que l'appareil est bien ventilé (voir INSTALLATION).
- ▶ N'installez pas l'appareil en plein soleil ou à proximité de sources de chaleur (par ex. cuisinières, chauffages).
- ▶ Évitez une température inutilement basse dans l'appareil. La consommation d'énergie augmente avec la baisse de la température de réglage de l'appareil.
- ▶ Des fonctions comme SUPER FREEZE consomment plus d'énergie.
- ▶ Laissez les aliments chauds refroidir avant de les mettre dans l'appareil.
- ▶ Ouvrez la porte de l'appareil le moins souvent et le plus brièvement possible.
- ▶ Ne remplissez pas trop l'appareil pour éviter de bloquer la circulation de l'air.
- ▶ Évitez l'air dans l'emballage des aliments.
- ▶ Gardez les joints de la porte propres afin que la porte se ferme toujours correctement.
- ▶ Décongelez les aliments surgelés dans le compartiment de stockage du réfrigérateur ou utilisez la fonction D-Frost dans le tiroir My Zone.
- ▶ La configuration la plus économe en énergie nécessite que le tiroir, le bac de rangement et les clayettes soient positionnés dans l'appareil dans les conditions d'usine, et que les aliments soient placés sans bloquer la sortie d'air du conduit.



AVERTISSEMENT !

Débranchez l'appareil de l'alimentation électrique avant de le nettoyer.

Nettoyage

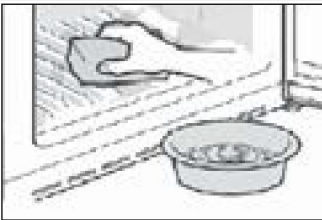
Nettoyez l'appareil lorsqu'il n'y a qu'un peu de nourriture ou qu'il n'y a pas de nourriture à l'intérieur.

L'appareil doit être nettoyé toutes les quatre semaines pour un bon entretien et pour éviter les mauvaises odeurs des aliments conservés à l'intérieur.



AVERTISSEMENT !

- ▶ Ne nettoyez pas l'appareil à l'aide de brosses dures, de brosses métalliques, de détergents en poudre, d'essence, d'acétate d'amyle, d'acétone et de solutions organiques similaires, d'acides ou de solutions alcalines. Nettoyez-le avec un détergent spécial pour réfrigérateur afin d'éviter de l'endommager.
- ▶ Ne pulvérisez pas et ne rincez pas l'appareil pendant le nettoyage.
- ▶ N'utilisez pas de jet d'eau ou de vapeur pour nettoyer l'appareil.
- ▶ Ne nettoyez pas les clayettes froides en verre à l'eau chaude. Un changement soudain de température peut casser le verre.
- ▶ Ne touchez pas la surface intérieure du compartiment de l'appareil, en particulier avec les mains mouillées, car vos mains peuvent geler sur la surface.
- ▶ En cas de réchauffement, vérifiez l'état des produits surgelés.



- ▶ Gardez toujours le joint de la porte propre.
- ▶ Nettoyez l'intérieur et le bâti de l'appareil à l'aide d'une éponge imbibée d'eau tiède et de détergent neutre.
- ▶ 1. Veuillez frotter l'intérieur et l'extérieur du réfrigérateur, y compris le joint de porte, le porte-bouteille, les clayettes en verre, les boîtes, etc., avec un torchon doux ou une éponge imbibée d'eau chaude (vous pouvez ajouter un détergent neutre dans l'eau chaude).
- ▶ 2. S'il y a du liquide renversé, retirez toutes les parties contaminées, rincez-les directement sous l'eau du robinet, séchez-les et remettez-les dans le réfrigérateur.
- ▶ 3. S'il y a de la crème (par exemple de la crème, de la crème glacée qui fond), retirez toutes les parties contaminées, placez-les dans de l'eau chaude à 40 °C pendant un certain temps, puis rincez-les à l'eau courante, séchez-les et remettez-les dans le réfrigérateur.
- ▶ 4. Si une petite pièce ou un élément reste coincé à l'intérieur du réfrigérateur (entre les clayettes ou les tiroirs), utilisez une petite brosse souple pour l'éliminer. Si vous ne pouvez pas atteindre la pièce, veuillez contacter le service clientèle Haier



- ▶ Rincez et séchez avec un chiffon doux.
- ▶ Ne nettoyez aucune des parties de l'appareil au lave-vaisselle.
- ▶ Attendez au moins 5 minutes avant de redémarrer l'appareil, car le démarrage fréquent risque d'endommager le compresseur.

Dégivrage

Le dégivrage du réfrigérateur et du compartiment congélateur se fait automatiquement ; aucune opération manuelle n'est nécessaire.

Remplacement des lampes LED



AVERTISSEMENT !

Ne remplacez pas la lampe LED vous-même, elle ne doit être remplacée que par le fabricant ou l'agent de maintenance agréé.

Les lampes utilisent des LED comme source lumineuse, avec une faible consommation d'énergie et une longue durée de vie. En cas d'anomalie, veuillez contacter le service clientèle. Reportez-vous au paragraphe SERVICE CLIENTÈLE.

Paramètres des lampes :

Pièce	Lampe LED
Tension	12 V
Puissance max.	1,5 W
Spécification LED	Blanc-2835
Classe d'efficacité des LED	G
Température d'utilisation	-40-80 °C

HDPW7620*, HTW7620*

Pièce	Lampe LED
Tension	12 V
Puissance max.	8 W
Spécification LED	Blanc-4014
Classe d'efficacité des LED	G
Température d'utilisation	-30-60 °C

Non-utilisation pendant une période prolongée

Si l'appareil n'est pas utilisé pendant une période prolongée et que vous n'utiliserez pas la fonction Holiday pour le réfrigérateur :

Sortez les aliments.

Débranchez le cordon d'alimentation.

Nettoyez l'appareil selon les instructions ci-dessus.

Gardez les portes ouvertes pour éviter la formation de mauvaises odeurs à l'intérieur.



INFORMATION

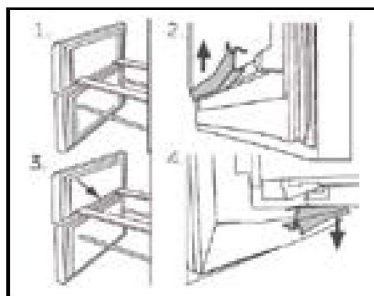
N'éteignez l'appareil que si cela est strictement nécessaire.

Jointes auxiliaires amovibles de la porte

Six joints de porte auxiliaires se trouvent sur les tiroirs supérieur et inférieur du congélateur.

1. Localisez les cinq joints de porte indiqués sur les tiroirs du congélateur supérieur et inférieur.
2. Assurez-vous que les parties courbées des joints sont orientées vers l'intérieur pendant la fixation.
3. Localisez le joint inférieur du tiroir supérieur comme indiqué.
4. Assurez-vous que la partie courbée de ce joint est orientée vers le bas pendant la fixation.

Vous pouvez obtenir ces joints ainsi que les joints de porte tournante/tiroir auprès du service clientèle (voir la carte de garantie).



Déplacement de l'appareil

1. Retirez tous les aliments et débranchez l'appareil.
2. Fixez les clayettes et les autres parties mobiles dans le réfrigérateur et dans le congélateur avec du ruban adhésif.
3. N'inclinez pas le réfrigérateur à plus de 45° pour éviter d'endommager le système de réfrigération.



AVERTISSEMENT !

- ▶ Ne soulevez pas l'appareil par ses poignées.
- ▶ Ne placez jamais l'appareil à l'horizontale sur le sol.

Vous pouvez résoudre de nombreux problèmes vous-même sans expertise spécifique. En cas de problème, veuillez vérifier toutes les possibilités indiquées et suivre les instructions ci-dessous avant de contacter un service clientèle. Reportez-vous au paragraphe SERVICE CLIENTÈLE.



AVERTISSEMENT !

- ▶ Avant l'entretien, désactivez l'appareil et débranchez la fiche secteur de la prise secteur.
- ▶ L'équipement électrique ne doit être entretenu que par des experts en électricité qualifiés, car des réparations inappropriées peuvent causer des dommages consécutifs considérables.
- ▶ Une alimentation endommagée ne devrait être remplacée que par le fabricant, son agent de maintenance ou des personnes avec une qualification similaire de manière à éviter tout danger.

Tableau de dépannage

Problème	Cause possible	Solution possible
Le compresseur ne fonctionne pas.	La fiche secteur n'est pas branchée dans la prise secteur.	Branchez la fiche secteur.
	L'appareil est en cours de dégivrage.	Ceci est normal pour un dégivrage automatique.
L'appareil fonctionne fréquemment ou fonctionne trop longtemps.	La température intérieure ou extérieure est trop élevée.	Dans ce cas, il est normal que l'appareil fonctionne plus longtemps.
	L'appareil a été hors tension pendant un certain temps.	Normalement, il faut 8 à 12 heures pour que l'appareil refroidisse complètement.
	Une porte/un tiroir de l'appareil n'est pas bien fermé(e).	Fermez la porte/le tiroir et assurez-vous que l'appareil est situé sur un sol de niveau et qu'il n'y a pas d'aliment ou de récipient bloquant la porte.
	La porte/le tiroir a été ouvert(e) trop fréquemment ou trop longtemps.	N'ouvrez pas trop souvent la porte / le tiroir.
	Le réglage de la température du compartiment congélateur est trop bas.	Réglez une température plus élevée jusqu'à l'obtention d'une température satisfaisante dans le réfrigérateur. Il faut 24 heures pour que la température du réfrigérateur devienne stable.
	Le joint de la porte/du tiroir est sale, usé, fissuré ou ne correspond pas.	Nettoyez le joint de la porte/du tiroir ou faites-le remplacer par le service clientèle.
	La circulation de l'air requise n'est pas garantie.	Assurez une ventilation adéquate.



Problème	Cause possible	Solution possible
L'intérieur du réfrigérateur est sale et/ou sent mauvais.	L'intérieur du réfrigérateur a besoin de nettoyage.	Nettoyez l'intérieur du réfrigérateur.
	Des aliments à forte odeur sont conservés au réfrigérateur.	Enveloppez soigneusement les aliments.
Il ne fait pas suffisamment froid à l'intérieur de l'appareil.	La température réglée est trop élevée.	Réinitialisez la température.
	Des aliments trop chauds ont été stockés dans l'appareil.	Laissez toujours refroidir les aliments avant de les mettre à l'intérieur.
	Trop d'aliments ont été mis à l'intérieur en même temps.	Conservez toujours de petites quantités d'aliments.
	Les aliments sont trop proches les uns des autres.	Laissez de la place entre plusieurs aliments pour permettre la circulation de l'air.
	Une porte/un tiroir de l'appareil n'est pas bien fermé(e).	Fermez la porte/le tiroir.
	La porte/le tiroir a été ouvert(e) trop fréquemment ou trop longtemps.	N'ouvrez pas trop souvent la porte / le tiroir.
Il fait trop froid à l'intérieur de l'appareil.	La température réglée est trop basse.	Réinitialisez la température.
	La fonction Super Freeze est activée ou fonctionne depuis trop longtemps.	Désactivez la fonction Super Freeze.
De l'humidité se forme à l'intérieur du compartiment du réfrigérateur.	Le climat est trop chaud et trop humide.	Augmentez la température.
	Une porte/un tiroir de l'appareil n'est pas bien fermé(e).	Fermez la porte/le tiroir.
	La porte/le tiroir a été ouvert(e) trop fréquemment ou trop longtemps.	N'ouvrez pas trop souvent la porte / le tiroir.
	Les récipients contenant des aliments ou des liquides sont laissés ouverts.	Laissez refroidir les aliments chauds à température ambiante et couvrez les aliments et les liquides.
L'humidité s'accumule sur le réfrigérateur à l'extérieur de la surface ou entre les portes / la porte et le tiroir.	Le climat est trop chaud et trop humide.	C'est normal dans un climat humide et cela va changer lorsque l'humidité diminuera.
	La porte/le tiroir n'est pas fermé(e) hermétiquement.	Assurez-vous que la porte/le tiroir est bien fermé(e).
Les icônes de l'écran clignotent tour à tour et le système de refroidissement ne fonctionne pas.	Il est en mode démo	Le réfrigérateur est branché sur le secteur. Appuyez sur la touche « ZONE » et maintenez-la enfoncée, puis cliquez cinq fois sur la touche « Eco Mode » ; les icônes cessent alors de clignoter à tour de rôle.



Problème	Cause possible	Solution possible
Glace dure et givre dans le compartiment congélateur.	Les aliments n'étaient pas correctement emballés.	Emballez toujours bien les aliments.
	Une porte/un tiroir de l'appareil n'est pas bien fermé(e).	Fermez la porte/le tiroir.
	La porte/le tiroir a été ouvert(e) trop fréquemment ou trop longtemps.	N'ouvrez pas trop souvent la porte / le tiroir.
	Le joint de la porte/du tiroir est sale, usé, fissuré ou ne correspond pas.	Nettoyez le joint de la porte/du tiroir ou remplacez-les par des joints neufs.
	Quelque chose à l'intérieur empêche la porte/le tiroir de se fermer correctement.	Repositionnez les clayettes, les balconnets de porte ou les récipients à l'intérieur pour permettre à la porte/au tiroir de se fermer.
L'appareil émet des sons anormaux.	L'appareil n'est pas situé sur un sol de niveau.	Réglez le pied pour mettre l'appareil de niveau.
	L'appareil touche un objet situé à proximité.	Retirez les objets autour de l'appareil.
Un léger son doit être entendu comme celui de l'eau courante.	Cela est normal.	/
Un bip d'alarme retentit.	La porte du compartiment de rangement du réfrigérateur est ouverte.	Fermez la porte ou éteignez l'alarme manuellement.
Vous entendrez un léger bourdonnement.	Le système anti-condensation fonctionne.	Cela empêche la condensation et est normal.
Le système d'éclairage ou de refroidissement à l'intérieur ne fonctionne pas.	La fiche secteur n'est pas branchée dans la prise secteur.	Branchez la fiche secteur.
	L'alimentation n'est pas intacte.	Vérifiez l'alimentation électrique de la pièce. Appelez la société d'électricité locale !
	La lampe LED est hors service.	Veuillez appeler le service technique pour faire changer la lampe.
Les côtés de l'appareil et de la bande de la porte se réchauffent.	Cela est normal.	/
Il n'y a pas d'eau qui sort du bec verseur	Le verrouillage n'est pas désactivé.	Désactiver le verrouillage



Coupure de courant

- ▶ En cas de coupure de courant, les aliments devraient rester froids en toute sécurité pendant 13 heures environ. Suivez ces conseils pendant une coupure de courant prolongée, en particulier en été.
- ▶ Ouvrez la porte/le tiroir le moins possible.
- ▶ Ne mettez pas d'aliments supplémentaires dans l'appareil pendant une coupure de courant.
- ▶ Si un préavis de coupure de courant est donné et que la durée de la coupure est supérieure à 13 heures, préparez des glaçons et placez-les dans un récipient en haut du compartiment réfrigérateur.
- ▶ Une inspection des aliments est requise immédiatement après la coupure de courant.
- ▶ Étant donné que la température du réfrigérateur augmentera lors d'une coupure de courant ou d'une autre panne, la durée de conservation et la qualité alimentaire des aliments seront réduites. Tout aliment décongelé doit être consommé ou cuit et recongelé (le cas échéant) peu de temps après afin de prévenir les risques pour la santé.



INFORMATION

Fonction mémoire pendant la coupure de courant

Lorsque le courant revient, l'appareil continue à fonctionner avec les réglages définis avant la panne de courant.

Pour contacter l'assistance technique, visitez notre site Web :

<https://corporate.haier-eu-ropo.com/en/>

Dans la rubrique « site Web », choisissez la marque de votre produit et votre pays. Vous serez redirigé vers le site Internet spécifique où vous trouverez le numéro de téléphone et les autres moyens de contacter l'assistance technique.

Déballage



AVERTISSEMENT !

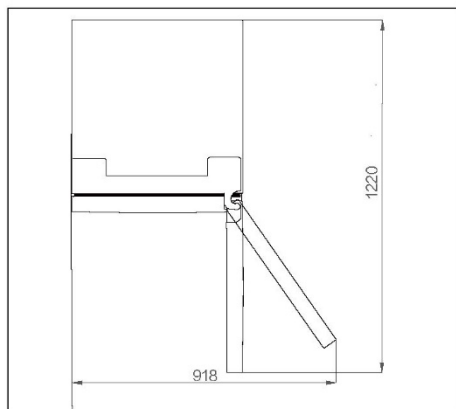
- ▶ L'appareil est lourd. Manipulez-le toujours avec au moins deux personnes.
- ▶ Conservez tous les emballages hors de la portée des enfants, puis jetez-les d'une manière respectueuse de l'environnement.
- ▶ Sortez l'appareil de l'emballage.
- ▶ Retirez tous les matériaux d'emballage.

Conditions environnementales

La température ambiante doit toujours être comprise entre 10 °C et 43 °C, car elle peut influencer la température à l'intérieur de l'appareil et sa consommation d'énergie. N'installez pas l'appareil à proximité d'autres appareils générant de la chaleur (fours, réfrigérateurs) sans isolation.

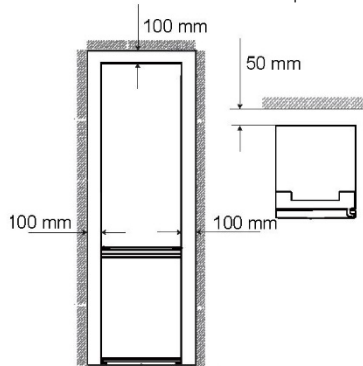
Espace requis

Espace requis lorsque la porte est ouverte.



Coupe transversale de ventilation

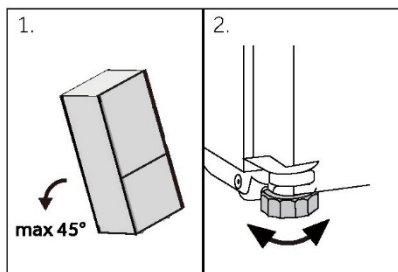
Pour obtenir une ventilation suffisante de l'appareil pour des raisons de sécurité, il convient de respecter les informations relatives aux coupes transversales de ventilation requises.

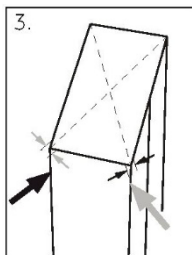


Alignement de l'appareil

L'appareil doit être placé sur une surface plane et solide.

1. Inclinez le réfrigérateur légèrement vers l'arrière.
2. Réglez les pieds au niveau souhaité. Assurez-vous que la distance entre le mur et le côté de la charnière est d'au moins 100 mm pour que la porte s'ouvre correctement.

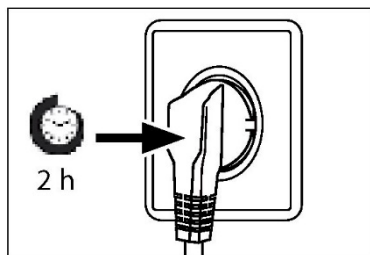




1. La stabilité peut être vérifiée en alternant les diagonales. Le léger flottement doit être le même dans les deux directions. Dans le cas contraire, le cadre peut se déformer ; cela se traduit par des fuites au niveau des joints de la porte. Une faible tendance vers l'arrière facilite la fermeture des portes.

i INFORMATION

Pour un appareil en pose libre : cet appareil de réfrigération n'est pas destiné à être utilisé comme un appareil encastré.



Temps d'attente

L'huile de lubrification sans entretien se trouve dans la capsule du compresseur. Cette huile peut passer par le système fermé de tuyauterie pendant le transport incliné. Avant de brancher l'appareil sur l'alimentation électrique, attendez au moins 2 heures afin que l'huile revienne dans la capsule.

Branchement électrique

Avant chaque branchement, vérifiez si :

- ▶ l'alimentation, la prise et le fusible sont adaptés à la plaque signalétique.
- ▶ la prise de courant est mise à la terre et sans multiprise ni rallonge.
- ▶ la fiche d'alimentation et la prise sont adaptées l'une à l'autre.

Branchez la fiche sur une prise domestique correctement installée.



AVERTISSEMENT !

Pour éviter tout risque, un câble d'alimentation endommagé doit être remplacé par le service à la clientèle (voir carte de garantie).



Réversibilité de la porte

Avant de brancher l'appareil sur l'alimentation électrique, vérifiez si le battant de porte doit passer de droite (tel qu'il est livré) à gauche, lorsque cela est requis par l'emplacement d'installation et l'utilisation.



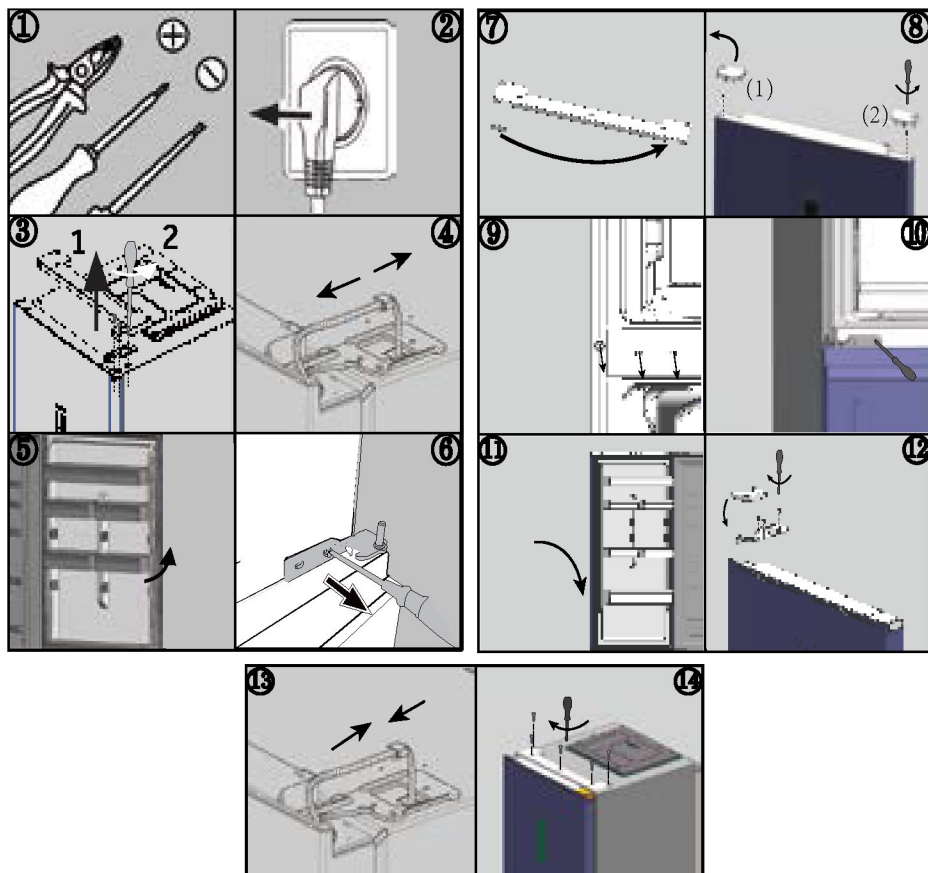
AVERTISSEMENT !

- ▶ L'appareil est lourd. Vous avez besoin de deux personnes pour changer la porte de côté.
- ▶ Avant toute opération, débranchez d'abord l'appareil du secteur.
- ▶ N'inclinez pas l'appareil à plus de 45° pour éviter d'endommager le système de refroidissement.

Étapes du montage

1. Munissez-vous de l'outil nécessaire.
2. Débranchez l'appareil.
3. Retirez le cache de la charnière supérieure 1 et dévissez la charnière supérieure (trois vis) sur le côté droit 2.
4. Débranchez le câble de raccordement.
5. Soulevez soigneusement la porte du réfrigérateur défaite pour la retirer de la charnière centrale.
6. Retirez la charnière centrale.
7. Retirez le petit couvercle du panneau avant de gauche à droite.
8. Retournez la porte et dévissez le couvercle (1). Retirez le nouveau couvercle (2) du sac fourni et vissez-le sur le côté opposé.
9. Changez les positions des bouchons d'obturation et de la vis latérale.
10. Vissez la charnière centrale sur le côté gauche de l'appareil. Inversez le pivot de la charnière centrale, en veillant à ce que le côté avec le joint soit orienté vers le haut.
11. Soulevez avec précaution la porte supérieure sur la charnière centrale. Assurez-vous que le pivot s'insère dans le cylindre de charnière de la porte inférieure.
12. Sortez la nouvelle charnière supérieure et le nouveau couvercle de charnière du sac d'accessoires. Faites passer le câble de connexion à travers la charnière supérieure et fixez la charnière supérieure avec les trois vis du côté gauche de l'appareil. Ensuite, placez le couvercle sur la charnière.
13. Branchez le câble de connexion.
14. Remplacez le panneau avant et fixez-le à l'aide de cinq vis.

Après le changement de porte, vérifiez si les joints de porte sont correctement placés sur le bâti et que toutes les vis sont bien serrées.



Températures ambiantes

Tempéré étendu : « cet appareil de réfrigération est destiné à être utilisé à des températures ambiantes allant de 10 °C à 32 °C » ;

Tempéré : « cet appareil de réfrigération est destiné à être utilisé à des températures ambiantes allant de 16 °C à 32 °C » ;

Subtropical : « cet appareil de réfrigération est destiné à être utilisé à des températures ambiantes allant de 16 °C à 38 °C » ;

Tropical : « cet appareil de réfrigération est destiné à être utilisé à des températures ambiantes allant de 16 °C à 43 °C ».

**Paramètres du produit conformément au règlement (UE)2019/2016**

D'après les résultats des tests standard pendant 24 heures. La consommation d'énergie réelle dépendra des conditions d'utilisation et de l'emplacement de l'appareil

Modèle	HTW5618DN*	HTW5620DN*	HTW5618EN*
Type d'appareil de réfrigération	Réfrigérateur-congélateur	Réfrigérateur-congélateur	Réfrigérateur-congélateur
Classe d'efficacité énergétique	D	D	E
Consommation d'énergie annuelle (kWh/an)	217	226	271
Volume du compartiment réfrigérateur (l)	201	255	201
Volume du compartiment congélateur (l)	125	125	125
Volume du compartiment fraîcheur (l)	34	34	34
Classe de congélation	4 étoiles	4 étoiles	4 étoiles
Type de dégivrage	Dégivrage automatique	Dégivrage automatique	Dégivrage automatique
Temps de montée en température (h)	13	13	11
Capacité de congélation (kg/24h)	10,0	10,0	10,0
Classe climatique	SN.N.ST.T	SN.N.ST.T	SN.N.ST.T
Classe d'émission de bruit et émissions acoustiques dans l'air (dB(A) re 1 pW)	B(35)	B(35)	B(35)



Modèle	HTW5618CN*	HTW5620CN*	HTW5620EN*
Type d'appareil de réfrigération	Réfrigérateur-congélateur	Réfrigérateur-congélateur	Réfrigérateur-congélateur
Classe d'efficacité énergétique	C	C	E
Consommation d'énergie annuelle (kWh/an)	173	181	283
Volume du compartiment réfrigérateur (l)	201	255	255
Volume du compartiment congélateur (l)	125	125	125
Volume du compartiment fraîcheur (l)	34	34	34
Classe de congélation	4 étoiles	4 étoiles	4 étoiles
Type de dégivrage	Dégivrage automatique	Dégivrage automatique	Dégivrage automatique
Temps de montée en température (h)	13	13	11
Capacité de congélation (kg/24h)	10,0	10,0	10,0
Classe climatique	SN.N.ST.T	SN.N.ST.T	SN.N.ST.T
Classe d'émission de bruit et émissions acoustiques dans l'air (dB(A) re 1 pW)	B(35)	B(35)	B(35)



Modèle	HDPW5618DN*	HDPW5620DN* HDPW3620DN*	HTW7620CN*
Type d'appareil de réfrigération	Réfrigérateur-congélateur	Réfrigérateur-congélateur	Réfrigérateur-congélateur
Classe d'efficacité énergétique	D	D	C
Consommation d'énergie annuelle (kWh/an)	214	220	181
Volume du compartiment réfrigérateur (l)	201	255	255
Volume du compartiment congélateur (l)	117	117	125
Volume du compartiment fraîcheur (l)	34	34	34
Classe de congélation	4 étoiles	4 étoiles	4 étoiles
Type de dégivrage	Dégivrage automatique	Dégivrage automatique	Dégivrage automatique
Temps de montée en température (h)	13	13	13
Capacité de congélation (kg/24h)	10,0	10,0	10,0
Classe climatique	SN.N.ST.T	SN.N.ST.T	SN.N.ST.T
Classe d'émission de bruit et émissions acoustiques dans l'air (dB(A) re 1 pW)	B(35)	B(35)	B(35)



Modèle	HDPW3618DN*	HDPW3620CN*	HTW3620DN*
Type d'appareil de réfrigération	Réfrigérateur-congélateur	Réfrigérateur-congélateur	Réfrigérateur-congélateur
Classe d'efficacité énergétique	D	C	D
Consommation d'énergie annuelle (kWh/an)	214	176	226
Volume du compartiment réfrigérateur (l)	201	255	255
Volume du compartiment congélateur (l)	117	117	125
Volume du compartiment fraîcheur (l)	34	34	34
Classe de congélation	4 étoiles	4 étoiles	4 étoiles
Type de dégivrage	Dégivrage automatique	Dégivrage automatique	Dégivrage automatique
Temps de montée en température (h)	13	13	13
Capacité de congélation (kg/24h)	10,0	10,0	10,0
Classe climatique	SN.N.ST.T	SN.N.ST.T	SN.N.ST.T
Classe d'émission de bruit et émissions acoustiques dans l'air (dB(A) re 1 pW)	B(35)	B(35)	B(35)



Modèle	HDPW5618CN*	HDPW5620CN*	HDPW5620AN* HDPW7620AN*
Type d'appareil de réfrigération	Réfrigérateur-congélateur	Réfrigérateur-congélateur	Réfrigérateur-congélateur
Classe d'efficacité énergétique	C	C	A
Consommation d'énergie annuelle (kWh/an)	171	176	114
Volume du compartiment réfrigérateur (l)	201	255	255
Volume du compartiment congélateur (l)	117	117	120
Volume du compartiment fraîcheur (l)	34	34	34
Classe de congélation	4 étoiles	4 étoiles	4 étoiles
Type de dégivrage	Dégivrage automatique	Dégivrage automatique	Dégivrage automatique
Temps de montée en température (h)	13	13	16
Capacité de congélation (kg/24h)	10,0	10,0	10,0
Classe climatique	SN.N.ST.T	SN.N.ST.T	SN.N.ST.T
Classe d'émission de bruit et émissions acoustiques dans l'air (dB(A) re 1 pW)	B(35)	B(35)	B(35)



Modèle	HDPW5620BN*	HTW7620DN*	HDPW7620AAN*
Type d'appareil de réfrigération	Réfrigérateur-congélateur	Réfrigérateur-congélateur	Réfrigérateur-congélateur
Classe d'efficacité énergétique	B	D	A
Consommation d'énergie annuelle (kWh/an)	142	226	92
Volume du compartiment réfrigérateur (l)	255	255	255
Volume du compartiment congélateur (l)	120	125	120
Volume du compartiment fraîcheur (l)	34	34	34
Classe de congélation	4 étoiles	4 étoiles	4 étoiles
Type de dégivrage	Dégivrage automatique	Dégivrage automatique	Dégivrage automatique
Temps de montée en température (h)	13	13	16
Capacité de congélation (kg/24h)	10,0	10,0	12,0
Classe climatique	SN.N.ST.T	SN.N.ST.T	SN.N.ST.T
Classe d'émission de bruit et émissions acoustiques dans l'air (dB(A) re 1 pW)	B(35)	B(35)	B(35)



Modèle	HTW5618DW*		
Type d'appareil de réfrigération	Réfrigérateur-congélateur		
Classe d'efficacité énergétique	D		
Consommation d'énergie annuelle (kWh/an)	216		
Volume du compartiment réfrigérateur (l)	198		
Volume du compartiment congélateur (l)	125		
Volume du compartiment fraîcheur (l)	34		
Classe de congélation	4 étoiles		
Type de dégivrage	Dégivrage automatique		
Temps de montée en température (h)	13		
Capacité de congélation (kg/24h)	10,0		
Classe climatique	SN.N.ST.T		
Classe d'émission de bruit et émissions acoustiques dans l'air (dB(A) re 1 pW)	B(35)		



Données techniques supplémentaires

Modèle	HTW5618DN*	HTW5618EN*	HTW5620DN*
Volume total (l)	360	360	414
Tension/Fréquence	220-240 V ~/50 Hz	220-240 V ~/50 Hz	220-240 V ~/50 Hz
Courant d'entrée (A)	1,4	1,4	1,4
Fusible principal (A)	16	16	16
Réfrigérant	R600a(53g)	R600a(53g)	R600a(53g)
Dimensions (L/P/H en mm)	595*667*1 850	595*667*1 850	595*667*2 050

Modèle	HTW5618CN*	HTW5620CN*	HTW5620EN*
Volume total (l)	360	414	414
Tension/Fréquence	220-240 V ~/50 Hz	220-240 V ~/50 Hz	220-240 V ~/50 Hz
Courant d'entrée (A)	1,4	1,4	1,4
Fusible principal (A)	15	15	16
Réfrigérant	R600a(50g)	R600a(50g)	R600a(53g)
Dimensions (L/P/H en mm)	595*667*1 850	595*667*2 050	595*667*2 050



Modèle	HDPW5618DN*	HDPW5620DN*	HDPW3620DN*
Volume total (l)	352	406	406
Tension/Fréquence	220-240 V ~/50 Hz	220-240 V ~/50 Hz	220-240 V ~/50 Hz
Courant d'entrée (A)	1,4	1,4	1,4
Fusible principal (A)	16	16	16
Réfrigérant	R600a(53g)	R600a(53g)	R600a(53g)
Dimensions (L/P/H en mm)	595*667*1 850	595*667*2 050	595*667*2 050

Modèle	HDPW5618CN*	HDPW5620CN*	HDPW5620AN*
Volume total (l)	352	406	409
Tension/Fréquence	220-240 V ~/50 Hz	220-240 V ~/50 Hz	220-240 V ~/50 Hz
Courant d'entrée (A)	1,4	1,4	1,4
Fusible principal (A)	15	15	16
Réfrigérant	R600a(50g)	R600a(50g)	R600a(50g)
Dimensions (L/P/H en mm)	595*667*1 850	595*667*2 050	595*667*2 050



Données techniques supplémentaires

Modèle	HDPW3618DN*	HDPW3620CN*	HTW3620DN*
Volume total (l)	352	406	414
Tension/Fréquence	220-240 V ~/50 Hz	220-240 V ~/50 Hz	220-240 V ~/50 Hz
Courant d'entrée (A)	1,4	1,4	1,4
Fusible principal (A)	16	15	16
Réfrigérant	R600a(53g)	R600a(50g)	R600a(53g)
Dimensions (L/P/H en mm)	595*667*1 850	595*667*2 050	595*667*2 050

Modèle	HDPW7620AAAN*	HDPW5620BN*	HDPW7620AN*
Volume total (l)	409	409	409
Tension/Fréquence	220-240 V ~/50 Hz	220-240 V ~/50 Hz	220-240 V ~/50 Hz
Courant d'entrée (A)	1,4	1,4	1,4
Fusible principal (A)	16	16	16
Réfrigérant	R600a(55g)	R600a(50g)	R600a(50g)
Dimensions (L/P/H en mm)	595*667*2 050	595*667*2 050	595*667*2 050

**Données techniques supplémentaires**

Modèle	HTW7620DN*	HTW7620CN*	HTW5618DW*
Volume total (l)	414	414	357
Tension/Fréquence	220-240 V ~/50 Hz	220-240 V ~/50 Hz	220-240 V ~/50 Hz
Courant d'entrée (A)	1,4	1,4	1,4
Fusible principal (A)	16	15	16
Réfrigérant	R600a(53g)	R600a(50g)	R600a(53g)
Dimensions (L/P/H en mm)	595*667*2 050	595*667*2 050	595*667*1 850



Nous recommandons notre service clientèle Haier et l'utilisation de pièces détachées d'origine.

Si vous rencontrez un problème avec votre appareil, veuillez d'abord consulter le paragraphe DÉPANNAGE.

Si vous ne trouvez pas de solution, veuillez contacter

- ▶ votre revendeur local ou
- ▶ notre centre de service d'appel européen (voir les numéros de téléphone ci-dessous) ou
- ▶ l'espace Service & Assistance à l'adresse www.haier.com où vous pouvez activer la demande
- ▶ de service et trouver également les FAQ.

Pour contacter notre Service, assurez-vous que vous disposez des données suivantes. Les informations se trouvent sur la plaque signalétique.

Modèle _____

N° de série _____

Vérifiez également la carte de garantie fournie avec le produit en cas de garantie.

Centre de service d'appel européen		
Pays*	Numéro de téléphone	Coûts
Haier Italy (IT)	199 100 912	
Haier Spain (ES)	902 509 123	
Haier Germany (DE)	0180 5 39 39 99	<ul style="list-style-type: none"> • 14 centimes/min ligne fixe • max 42 centimes/min mobile
Haier Austria (AT)	0820 001 205	<ul style="list-style-type: none"> • 14,53 centimes/min ligne fixe • max 20 centimes/min pour tous les autres
Haier United Kingdom (UK)	0333 003 8122	
Haier France (FR)	0980 406 409	



* Pour d'autres pays, veuillez vous référer à www.haier.com

Haier Europe Trading S.r.l
Filiale Royaume-Uni
Westgate House, Westgate, Ealing
Londres, W5 1YY

*Durée de la garantie de l'appareil de réfrigération :

La garantie minimale est : 2 ans pour les pays de l'UE, 3 ans pour la Turquie, 1 an pour le Royaume-Uni, 1 an pour la Russie, 3 ans pour la Suède, 2 ans pour la Serbie, 5 ans pour la Norvège, 1 an pour le Maroc, 6 mois pour l'Algérie, aucune garantie légale pour la Tunisie.

*La période des pièces détachées pour la réparation de l'appareil :

Les thermostats, les capteurs de température, les circuits imprimés et les sources de lumière sont disponibles pendant une période minimale de sept ans après la mise sur le marché de la dernière unité du modèle.

Poignées de porte, charnières de porte, bacs et paniers pendant une période minimale de sept ans et joints de porte pendant une période minimale de 10 ans, après la mise sur le marché de la dernière unité du modèle.

*Pour plus d'informations sur le produit, consultez <https://eprel.ec.europa.eu/> ou scannez le code QR sur l'étiquette énergie fournie avec l'appareil.

<u>5 Biztonsági információk</u>	<u>Első használat előtt</u>	6
	<u>Telepítés</u>	6
	<u>Napi használat</u>	7
<u>10 Rendeltetésszerű használat</u>		
<u>11 Termékleírás</u>		
<u>22 Vezérlőpanel</u>		
<u>23 Használat</u>	<u>Hűtőszekrény hőmérsékletének a beállítása</u>	24
	<u>Fagyasztó hőmérsékletének a beállítása</u>	24
	<u>My Zone hőmérsékletének a beállítása</u>	24
	<u>Super Cool funkció</u>	25
	<u>Super Freeze funkció</u>	26
<u>31 Berendezés</u>		
<u>35 Energiatakarékosági tippek</u>		
<u>36 Ápolás és tisztítás</u>		
<u>39 Hibaelhárítás</u>		
<u>43 Telepítés</u>		
<u>47 Műszaki adatok</u>		
<u>58 Ügyfélszolgálat</u>	Részletes információk megtekintéséhez kattintson a tartalomjegyzékre.	



Köszönjük, hogy Haier terméket vásárolt.

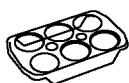
A készülék használata előtt olvassa el figyelmesen ezeket az utasításokat. Az utasítások fontos információkat tartalmaznak, amelyek segítenek abban, hogy a lehető legtöbbet hozza ki a készülékből, és szavatolják a biztonságos és megfelelő telepítést, használatot és karbantartást.

Tartsa ezt a kézikönyvet könnyen elérhető helyen, hogy bármikor fellapozhassa a készülék biztonságos és megfelelő használatához.

Ha eladja a készüléket, elajándékozza, vagy a lakásban hagyja költözéskor, győződjön meg arról, hogy ezt a kézikönyvet is átadja, hogy az új tulajdonos megismerhesse a készüléket és a biztonsági figyelmeztetéseket.

Tartozékok

Ellenőrizze a tartozékokat és a szakirodalmat ennek a listának megfelelően:



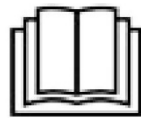
Tojástálca



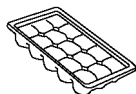
Energiacímke



Jótállási jegy



Felhasználói
kézikönyv



Jégkocka tartó tálca



Ajtózsanerék



Csuklópánt



Kupakbetét

**FIGYELMEZTETÉS – Fontos biztonsági információk****MEGJEGYZÉS - Általános információk és tippek****Környezetvédelmi információk****Ártalmatlanítás**

Járuljon hozzá a környezet és az emberi egészség védelméhez. Az újrahasznosítás érdekében a csomagolást a megfelelő hulladéktárolóba selejtezze ki. Járuljon hozzá az elektromos és elektronikus berendezések hulladékainak az újrahasznosításához. Ne a háztartási hulladékkal együtt dobja ki az ezzel a szimbólummal jelölt készülékeket. Vigye vissza a terméket a helyi újrahasznosító létesítménybe, vagy vegye fel a kapcsolatot a helyi hivattal.

**FIGYELMEZTETÉS!**

Sérülés vagy fulladás veszélye!

A hűtőközegeket és a gázokat szakszerűen kell ártalmatlanítani. Győződjön meg a hűtőkör csövének a sértetlenségéről, mielőtt megfelelően ártalmatlanítaná. Válassza le a készüléket a hálózati tápellátásról. Vágja el a hálózati kábelt és selejtezze ki. Távolítsa el a tálcákat és fiókokat, valamint az ajtóreteszt és a tömítéseket, hogy megakadályozza a gyermekek és háziállatok bezáródását a készülékbe.



A készülék első bekapcsolása előtt olvassa el a következő biztonsági tanácsokat!



FIGYELMEZTETÉS!

Első használat előtt

- ▶ Győződjön meg arról, hogy szállítás során a termék nem sérült.
- ▶ Távolítsa el az összes csomagolóanyagot, és tartsa gyermekektől elzárva.
- ▶ A készülék telepítése előtt várjon legalább két órát a hűtőkör teljes hatékonyságának biztosítása érdekében.
- ▶ Mivel a készülék nehéz, mindig legalább két személy szükséges a kezeléséhez vagy mozgatásához.

Telepítés

- ▶ A készüléket jól szellőző helyre telepítse. Biztosítson legalább 10 cm-es helyet a készülék felett és körül.
- ▶ Soha ne helyezze a készüléket nedves területre vagy olyan helyre, ahol víz fröccsenhet rá. A vízfröccsenéseket és a foltokat törölje le és szárazra puha, tiszta törlőkendővel.
- ▶ Ne szerelje be a készüléket közvetlen napsugárzásnak kitett helyre vagy hőforrások (pl. kályhák, fűtőberendezések) közelébe.
- ▶ A méretének és felhasználásnak megfelelő helyre szerelje be és állítsa szintbe a készüléket.
- ▶ A berendezésen vagy a beépített szerkezetben a szellőzőnyílásokat ne takarja el.
- ▶ Bizonyosodjon meg arról, hogy az adattáblán olvasható elektromos jellemzők megfelelnek az elérhető tápellátás jellemzőinek. Ellenkező esetben forduljon villanyszerelőhöz.
- ▶ A készülék 220–240 V váltóáramú, 50 Hz-es tápellátást igényel. A rendellenes feszültségingadozás nyomán előfordulhat, hogy a készülék nem indul be, károsodhat a hőmérséklet-vezérlő vagy a kompresszor, illetve működés során rendellenes zaj jelentkezhet. Hasonló esetben szereljen fel automatikus feszültség szabályozót.
- ▶ Ne használjon több dugós adaptereket és hosszabbítókábeleket.
- ▶ Ne helyezzen több hordozható csatlakozót vagy hordozható tápegységet a berendezés mögé.
- ▶ Ügyeljen arra, hogy a tápkábel ne szoruljon a hűtőberendezés alá. Ne lépjen a tápkábelre.



FIGYELMEZTETÉS!

- ▶ A tápegységhez külön földelt aljzatot használjon, amely könnyen hozzáférhető. A készülék mindenképpen földelésre szorul.
Csak az Egyesült Királyság esetén: A készülék tápkábele 3 érintkezős (földeléses) dugasszal rendelkezik, amelyik szabványos 3 érintkezős (földeléses) aljzathoz illeszkedik. Soha ne vágja le vagy távolítsa el a harmadik érintkezőt (földelést). A készülék beszerelését követően a dugasznak hozzáférhetőnek kell maradnia.
- ▶ Ne okozza a hűtőközeg kör sérülését.

Napi használat

- ▶ A berendezést 8 évnél idősebb gyermekek vagy csökkent fizikai, érzékszervi vagy mentális képességű, vagy tapasztalattal és ismerettel nem rendelkező személyek akkor használhatják, ha felügyelet alatt állnak vagy ha megfelelő utasításokkal látták el őket a berendezés biztonságos használatát illetően, és megértették a használatból eredő veszélyeket.
- ▶ A 3 és 8 év közötti gyermekek be- és kirakodhatják a hűtőkészülékeket, de a hűtőkészülékek tisztítását és szerelését nem végezhetik.
- ▶ Tartsa távol a 3 évesnél fiatalabb gyermekeket a készüléktől, kivéve, ha biztosítja a folyamatos felügyeletet.
- ▶ Gyermekek nem játszhatnak a berendezéssel.
- ▶ Ha hűtőgáz vagy más gyúlékony gáz szivárog a készülék közelében, zárja el a szivárgó gáz szelepét, nyissa ki az ajtókat és ablakokat, és ne húzza ki a hűtőszekrény/fagyasztó vagy más készülék tápkábelének a dugaszát.
- ▶ Vegye figyelembe, hogy a készülék 10 és 43 °C közötti környezeti hőmérsékletben való működésre készült. Előfordulhat, hogy a készülék nem működik megfelelően, ha hosszabb ideig a jelzett tartomány feletti vagy alatti hőmérsékleten üzemel.
- ▶ Ne helyezzen instabil cikkeket (nehéz tárgyakat, vízzel teli edényeket) a hűtőberendezés tetejére, elkerülve így a személyi sérüléseket, amiket ezen tárgyak leesése vagy a vízzel való érintkezés nyomán bekövetkező áramütés okozhat.
- ▶ Ne húzza meg az ajtópolcokat. Az ajtó elferdülhet, kihúzhatja a helyéről a palacktartót, vagy a készülék felborulhat.
- ▶ Az ajtók nyitását vagy becsukását kizárólag a fogantyúkkal végezze. Az ajtók közötti, ill. az ajtó és a szekrény közötti rés nagyon szűk. Ne nyújtsa a kezét ezekre a területekre, mivel az ujjai becsípődhetnek. Csak akkor nyissa ki vagy csukja be a hűtőszekrény ajtaját, ha nem állnak gyermekek az ajtó mozgási tartományán belül.



FIGYELMEZTETÉS!

- ▶ Ne tároljon, ill. használjon gyúlékony, robbanásveszélyes vagy maró hatású anyagokat a készülékben vagy a közelében.
- ▶ A készülékben ne tároljon gyógyszereket, baktériumokat vagy vegyszereket. Ez a készülék háztartási készülék. Nem javasoljuk olyan anyagok tárolását, amelyek szűk hőmérséklet-tartományban tárolhatók.
- ▶ Soha ne tároljon folyadékokat palackokban vagy kannákban (magas alkoholtartalmú italok kivételével), különösen szénsavas italokat a fagyasztóban, mert ezek szétrobbannak fagyasztás közben.
- ▶ Ellenőrizze az élelmiszer állapotát, ha a fagyasztóban felmelegedett a hőmérséklet.
- ▶ Ne állítson be szükségtelenül alacsony hőmérsékletet a hűtőrekeszben. Magas teljesítménybeállítások esetén mínusz fokok alakulhatnak ki. Figyelem: A palackok szétrobbanhatnak
- ▶ Ne nyúljon fagyott tárgyakhoz nedves kézzel (viseljen kesztyűt). Különösen ne egyen jeges nyalókát közvetlenül a fagyasztóból való kivétel után. Fennáll a fagysérülések vagy a hólyagok kialakulásának veszélye. ELSŐSEGÉLYNYÚJTÁS: tartsa a sérülést azonnal folyó hideg víz alá. Ne húzza el!
- ▶ Működés közben ne érintse meg a fagyasztórekesz belső felületét, különösen nedves kézzel, mert a keze a felülethez fagyhat.
- ▶ Áramszünet esetén vagy tisztítás előtt húzza ki a készüléket az alzatból. A készülék újraindítása előtt várjon legalább 7 percet, mivel a készülék gyakori indítása során károsodhat a kompresszor.
- ▶ Ne használjon elektromos készülékeket a berendezés élelmiszer tároló rekeszében, kivéve a gyártó által jóváhagyott típust. Karbantartás / tisztítás
- ▶ Gondoskodjon a gyermekek felügyeletéről, ha tisztítást vagy karbantartást végeznek.
- ▶ A rutinszerű karbantartás megkezdése előtt húzza ki a készüléket a villanyhálózatból. A készülék újraindítása előtt várjon legalább 5 percet, mivel a készülék gyakori indítása során károsodhat a kompresszor.



FIGYELMEZTETÉS!

- ▶ A készülék aljzatból való leválasztásakor ne a kábelt, hanem a csatlakozódugót húzza.
- ▶ Ne tisztítsa a készüléket keménysörtés kefékkel, drótkefékkel, mosóporral, benzinnel, amil-acetáttal, acetonnal és hasonló szerves oldatokkal, valamint savas vagy lúgos oldatokkal. A károsodások elkerülése érdekében a hűtőszekrény tisztítását speciális, adott célra kialakított tisztítószerrel végezze.
- ▶ Ne kaparja le a fagyot és a jeget éles tárgyakkal. A műanyag alkatrészek károsodásának elkerülése érdekében ne használjon spray-t, elektromos hevítő berendezést, például fűtőberendezést, hajszárítót, gőztisztítót vagy más hőforrást.
- ▶ A kiolvasztási folyamat felgyorsításához csak a gyártó által javasolt mechanikai berendezéseket vagy egyéb eszközöket használja.
- ▶ Ha a tápkábel megsérül, a veszély elkerülése érdekében cseréltesse ki a gyártóval, a gyártó szervizközpontjával vagy más szakemberrel.
- ▶ Ne tegyen kísérletet a készülék saját kezű javítására, szétszerelésére vagy módosítására. Javítás szükségessége esetén vegye fel a kapcsolatot az ügyfélszolgálatunkkal.
- ▶ Évente legalább egyszer távolítsa el a port a készülék hátoldaláról, így elkerülve a tűzveszélyt, valamint a megnövekedett energiafogyasztást.
- ▶ Tisztítás közben ne permetezze vagy öblítse le a készüléket.
- ▶ Ne használjon vízpermetet vagy gőzt a készülék tisztításához.
- ▶ A hideg üvegpolicokat ne tisztítsa forró vízzel. A hirtelen hőmérséklet-változás nyomán az üveg megrepedhet.

Gázalapú hűtőközegre vonatkozó információk



FIGYELMEZTETÉS!

A készülék gyúlékony IZOBUTÁN (R600a) hűtőközeget tartalmaz. Győződjön meg arról, hogy a hűtőközeg köre nem sérült meg szállítás vagy beszerelés közben. A szivárgó hűtőközeg szemsérülést okozhat, vagy belobbanhat. Sérülés esetén tartsa távol a tűzforrásokat, szellőztesse ki alaposan a helyiséget, ne csatlakoztassa, vagy húzza ki a készülék vagy egyéb készülék tápkábelét. Tájékoztassa az ügyfélszolgálatot.

Ha a hűtőközeg szembe kerül, akkor azonnal öblítse ki folyó víz alatt, és azonnal forduljon szemész szakorvoshoz.



Rendeltetésszerű használat

Ez a készülék élelmiszerek hűtésére és fagyasztására szolgál. Kizárólag háztartási és hasonló alkalmazásokra tervezték, mint például az üzletek, irodák és egyéb munkakörnyezetek személyzeti konyháinak területei; tanyasi házakban és szállodák, motelek és egyéb lakókörnyezetben, valamint panziós és vendéglátóipari vállalkozásokban való használatra ügyfelek számára. Tervezéséből adódóan nem alkalmas kereskedelmi vagy ipari használatra.

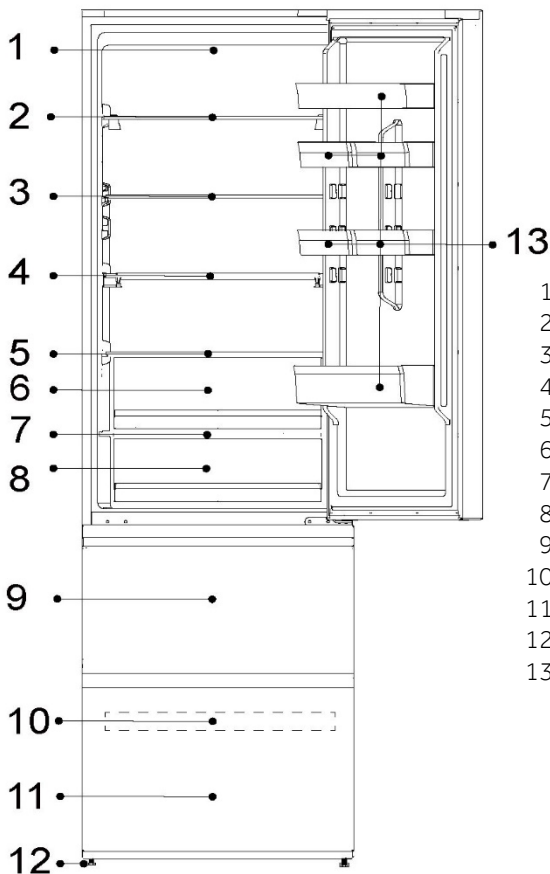
A készüléken változtatások vagy módosítások végrehajtása nem megengedett. A nem rendeltetésszerű használat veszélyeket eredményezhet, illetve a szavatossági igények érvénytelenítésével járhat.

Szabványok és irányelvek **CE**

A termék megfelel az összes vonatkozó EK irányelvben meghatározott követelménynek, illetve a vonatkozó harmonizált szabványoknak, amelyek alapján megilleti a CE-jelölés.

i MEGJEGYZÉS

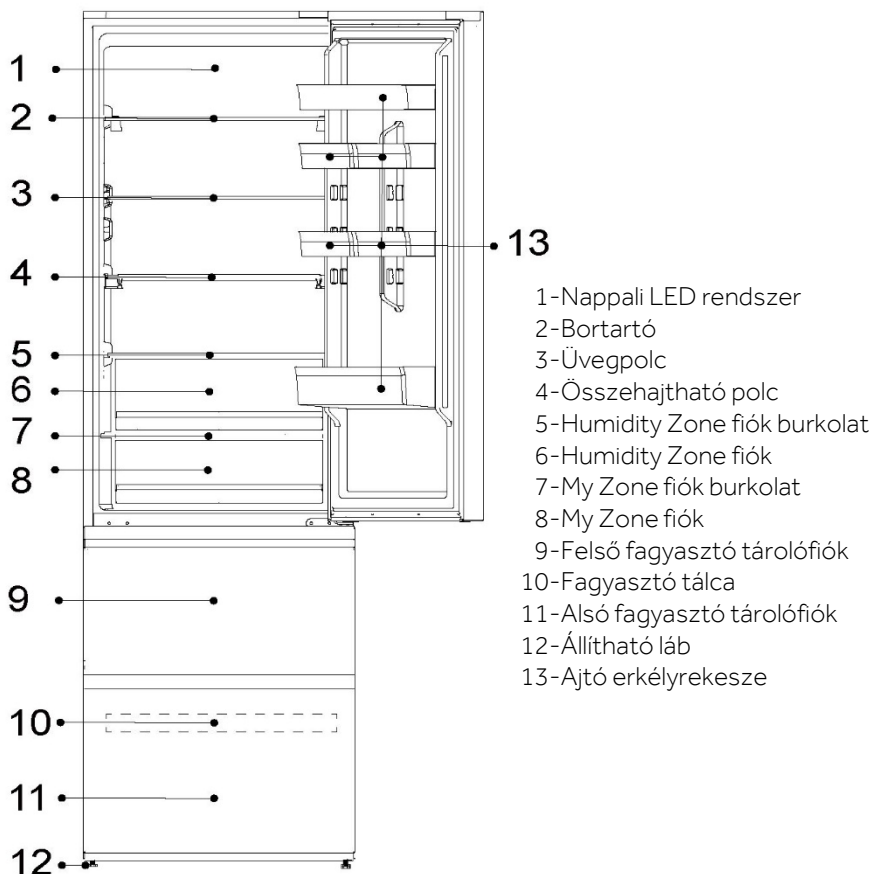
A műszaki módosítások és különböző modellek miatt előfordulhat, hogy a kézikönyvben látható egyes ábrák eltérőek a modelljéhez képest. (HTW5620DN*, HTW5620CN*, HTW5620EN*)



- 1-Hűtőszekrény LED lámpa
- 2-Bortartó
- 3-Üvegpolc
- 4-Összehajtható polc
- 5-Humidity Zone fiók burkolat
- 6-Humidity Zone fiók
- 7-My Zone fiók burkolat
- 8-My Zone fiók
- 9-Felső fagyasztó tárolófiók
- 10-Fagyasztó tálca
- 11-Alsó fagyasztó tárolófiók
- 12-Állítható láb
- 13-Ajtó erkélyrekesze

i MEGJEGYZÉS

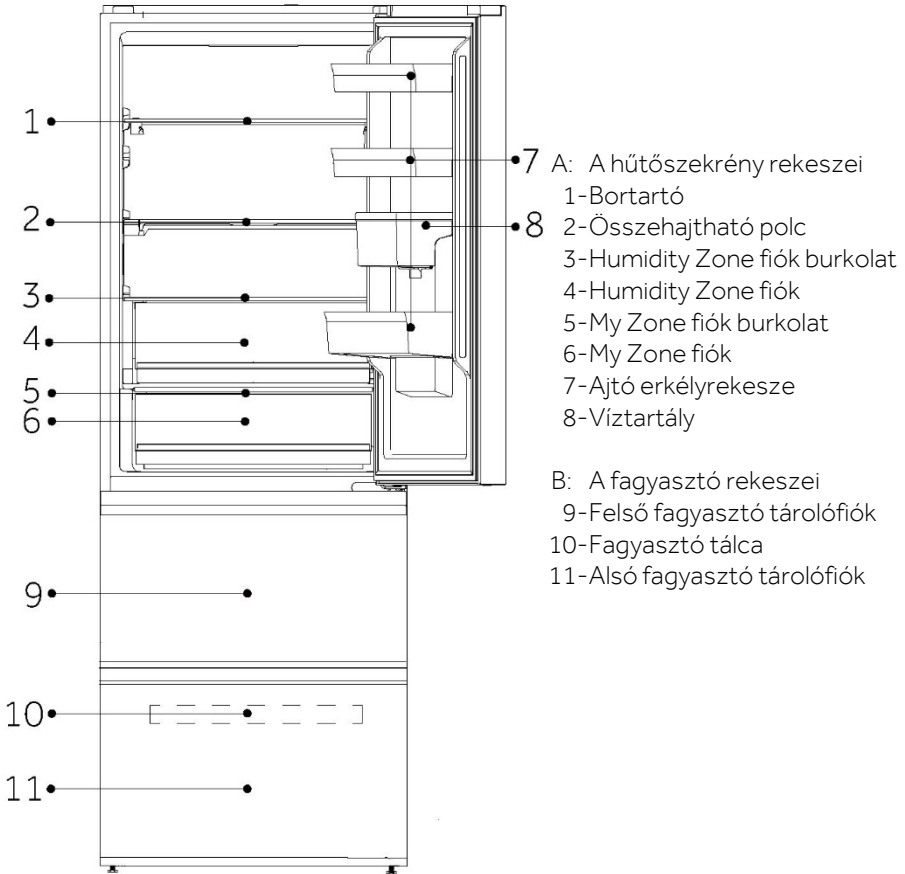
A műszaki módosítások és különböző modellek miatt előfordulhat, hogy a kézikönyvben látható egyes ábrák eltérőek a modelljéhez képest. (HTW7620AN*, HTW7620CN*, HTW7620DN*)



- 1-Nappali LED rendszer
- 2-Bortartó
- 3-Üvegpole
- 4-Összehajtható pole
- 5-Humidity Zone fiók burkolat
- 6-Humidity Zone fiók
- 7-My Zone fiók burkolat
- 8-My Zone fiók
- 9-Felső fagyasztó tárolófiók
- 10-Fagyasztó tálca
- 11-Alsó fagyasztó tárolófiók
- 12-Állítható láb
- 13-Ajtó erkélyrekesze

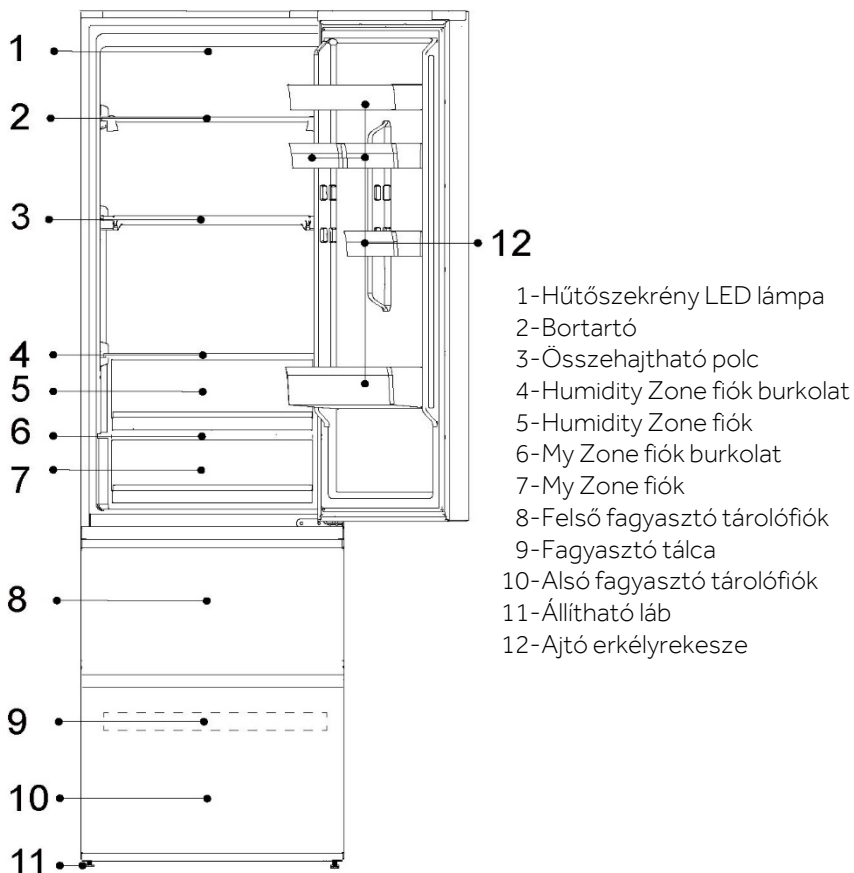
i MEGJEGYZÉS

A műszaki módosítások és különböző modellek miatt előfordulhat, hogy a kézikönyvben látható egyes ábrák eltérőek a modelljéhez képest. (HTW5618DW*)



i MEGJEGYZÉS

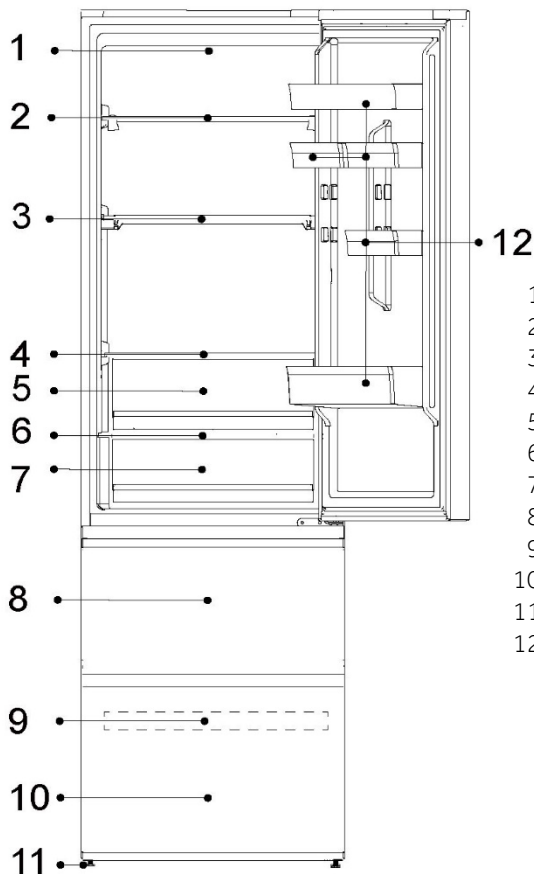
A műszaki módosítások és különböző modellek miatt előfordulhat, hogy a kézikönyvben látható egyes ábrák eltérőek a modelljéhez képest. (HTW5618DN*, HTW5618CN*, HTW5618EN*)





i MEGJEGYZÉS

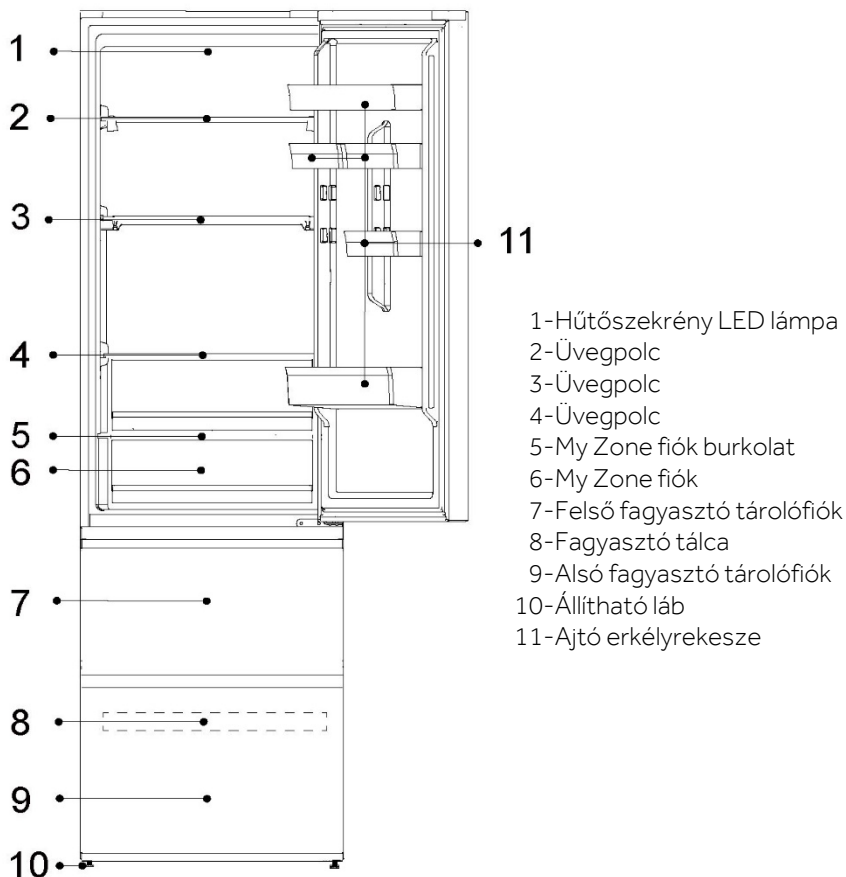
A műszaki módosítások és különböző modellek miatt előfordulhat, hogy a kézikönyvben látható egyes ábrák eltérőek a modelljéhez képest. (HTW3620DN*)



- 1-Hűtőszekrény LED lámpa
- 2-Üvegpolc
- 3-Üvegpolc
- 4-Üvegpolc
- 5-Üvegpolc
- 6-My Zone fiók burkolat
- 7-My Zone fiók
- 8-Felső fagyasztó tárolófiók
- 9-Fagyasztó tálca
- 10-Alsó fagyasztó tárolófiók
- 11-Állítható láb
- 12-Ajtó erkélyrekesze

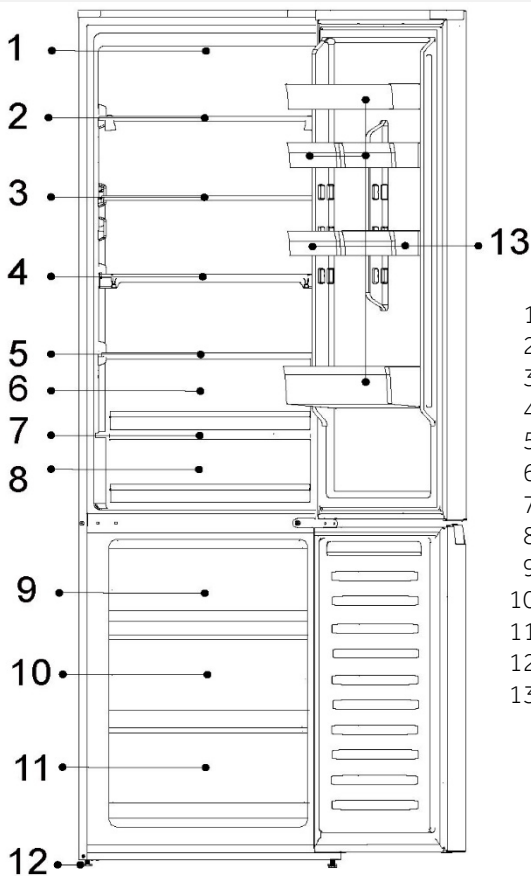
i MEGJEGYZÉS

A műszaki módosítások és különböző modellek miatt előfordulhat, hogy a kézikönyvben látható egyes ábrák eltérőek a modelljéhez képest. (HTW3618DN*, HTW3618CN*, HTW3618EN*)



i MEGJEGYZÉS

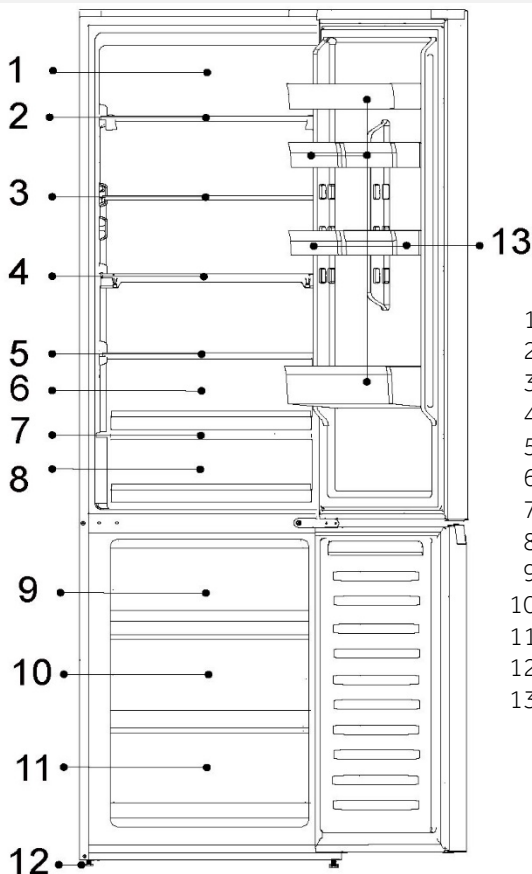
A műszaki módosítások és különböző modellek miatt előfordulhat, hogy a kézikönyvben látható egyes ábrák eltérőek a modelljéhez képest. (HDPW5620DN*, HDPW5620CN*, HDPW5620AN*, HDPW5620BN*)



- 1-Hűtőszekrény LED lámpa
- 2-Bortartó
- 3-Üvegpolc
- 4-Összehajtható polc
- 5-Humidity Zone fiók burkolat
- 6-Humidity Zone fiók
- 7-My Zone fiók burkolat
- 8-My Zone fiók
- 9-Felső fagyasztó tárolófiók
- 10-Középső fagyasztó tárolófiók
- 11-Állítható láb
- 12-Állítható láb
- 13-Ajtó erkélyrekesze

i MEGJEGYZÉS

A műszaki módosítások és különböző modellek miatt előfordulhat, hogy a kézikönyvben látható egyes ábrák eltérőek a modelljéhez képest. (HDPW7620AN*, HDPW7620AAN*)

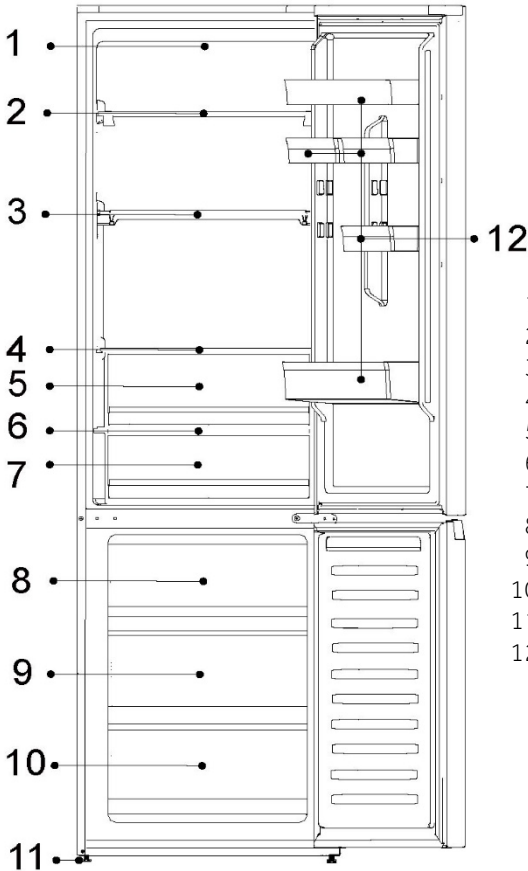


- 1-Nappali LED rendszer
- 2-Bortartó
- 3-Üvegpolc
- 4-Összehajtható polc
- 5-Humidity Zone fiók burkolat
- 6-Humidity Zone fiók
- 7-My Zone fiók burkolat
- 8-My Zone fiók
- 9-Felső fagyasztó tárolófiók
- 10-Középső fagyasztó tárolófiók
- 11-Alsó fagyasztó tárolófiók
- 12-Állítható láb
- 13-Ajtó erkélyrekesze



i MEGJEGYZÉS

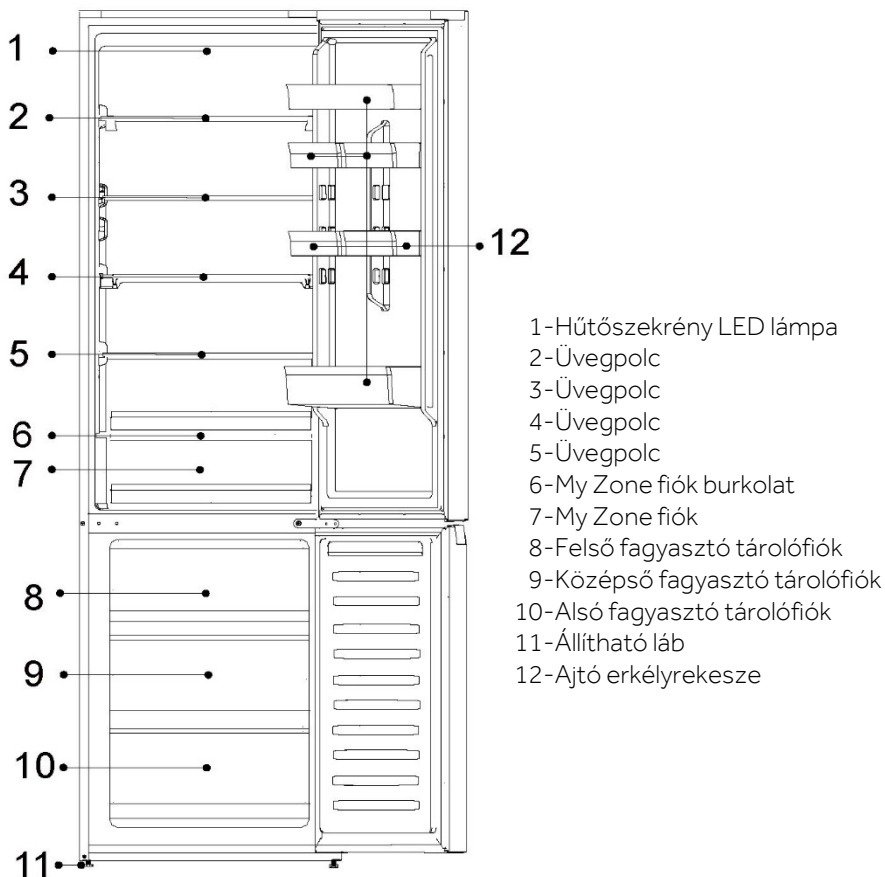
A műszaki módosítások és különböző modellek miatt előfordulhat, hogy a kézikönyvben látható egyes ábrák eltérőek a modelljéhez képest. (HDPW5618DN*, HDPW5618CN*)



- 1-Hűtőszekrény LED lámpa
- 2-Bortartó
- 3-Összehajtható polc
- 4-Humidity Zone fiók burkolat
- 5-Humidity Zone fiók
- 6-My Zone fiók burkolat
- 7-My Zone fiók
- 8-Felső fagyasztó tárolófiók
- 9-Középső fagyasztó tárolófiók
- 10-Alsó fagyasztó tárolófiók
- 11-Állítható láb
- 12-Ajtó erkélyrekesze

i MEGJEGYZÉS

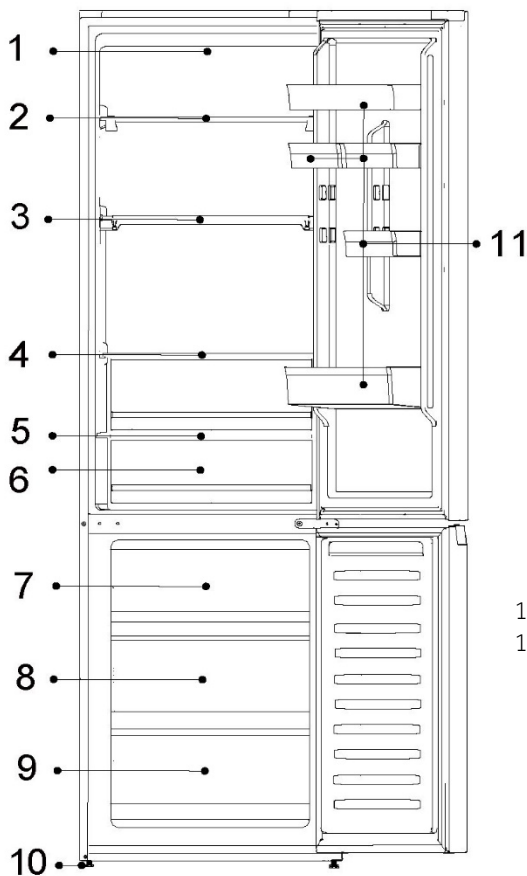
A műszaki módosítások és különböző modellek miatt előfordulhat, hogy a kézikönyvben látható egyes ábrák eltérőek a modelljéhez képest. (HDPW3620DN*, HDPW3620CN*)





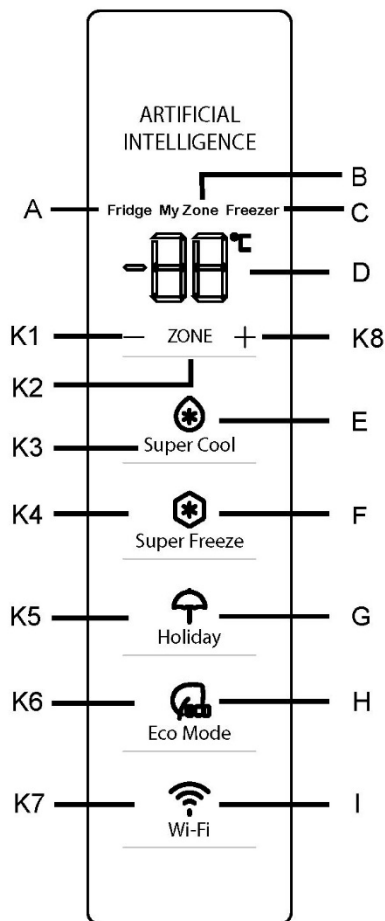
i MEGJEGYZÉS

A műszaki módosítások és különböző modellek miatt előfordulhat, hogy a kézikönyvben látható egyes ábrák eltérőek a modelljéhez képest. (HDPW3618DN*)



- 1-Hűtőszekrény LED lámpa
- 2-Üvegpól
- 3-Üvegpól
- 4-Üvegpól
- 5-My Zone fiók burkolat
- 6-My Zone fiók
- 7-Felső fagyasztó tárolófiók
- 8-Középső fagyasztó tárolófiók
- 9-Álsó fagyasztó tárolófiók
- 10-Állítható láb
- 11-Ajtó erkélyrekesze

Vezérlőpanel



Jelzések:

- A Hűtőtér
- B Hűtőrekesz (My Zone)
- C A fagyasztó rekeszei
- D Hőmérséklet kijelző
- E Super Cool funkció
- F Super Freeze funkció
- G Holiday funkció
- H Eco Mode funkció | Wi-Fi funkció

Gombok:

- K1 Hőmérséklet csökkentése
- K2 Fridge, My Zone és Freezer kiválasztása
- K3 Super Cool funkció be/ki
- K4 Super Freeze funkció be/ki
- K5 Holiday funkció be/ki
- K6 Eco Mode funkció be/ki
- K7 Wi-Fi funkció be/ki
- K8 Hőmérséklet növelése

Első használat előtt

Távolítson el az összes csomagolóanyagot, tartsa azokat gyermekektől elzárva, kiselejtezésükről pedig környezetbarát módon gondoskodjon.

Tisztítsa meg a készülék belsejét és külsejét, valamint a készülék belsejét és tartozékait vízzel és enyhe tisztítószerrel, és törölje alaposan szárazra puha törülközővel.

A készülék szintbeállítását és tisztítását követően, kérjük, várjon legalább 2 órát, mielőtt csatlakoztatná a tápellátáshoz. Lásd a TELEPÍTÉS részt.

Az étellel való feltöltés előtt hűtse le a rekeszeket magas beállítások alkalmazásával. A Super Freeze funkció elősegíti a fagyasztórekesz gyors lehűtését

Érintésérzékeny gombok

A vezérlőpulton található gombok érintésérzékenyek, és már akkor reagálnak, ha enyhén megérinti az ujjával.

A készülék be- és kikapcsolása

A készülék működésbe lép, amint csatlakoztatja tápellátáshoz.

A készülék első bekapcsolásakor a „D” hőmérséklet jelzők mutatják az előre beállított értékeket (lásd az alábbi megjegyzést).

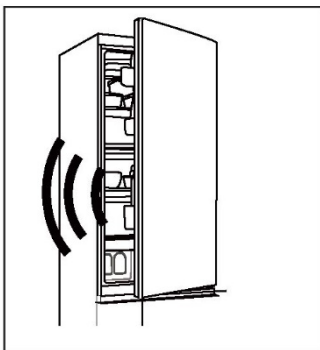
MEGJEGYZÉS

A készülék alapbeállítása gyárilag az ajánlott 5 °C (hűtőszekrény) és -18 °C (fagyasztó) hőmérséklet. A My Zone hőmérséklete kb. 2 °C-ra van beállítva. Ezek a javasolt beállítások. Ha kívánja, ezeket a hőmérsékleteket módosíthatja manuálisan.

Nyitott ajtó riasztás

Amikor a hűtőszekrény ajtaja 3 percnél hosszabb ideig nyitva van, megszólal az ajtónyitási riasztás.

A riasztó elnémítható az ajtó bezárásával. Ha az ajtó 7 percnél hosszabb ideig nyitva marad, a hűtőszekrényben a fény és a kezelőpanel megvilágítása automatikusan kikapcsol.



Hőmérséklet beállítása

A beltéri hőmérsékletet a következő tényezők befolyásolják:

- ▶ Környezeti hőmérséklet
- ▶ Az ajtónyitás gyakorisága
- ▶ A tárolt élelmiszerek mennyisége
- ▶ A berendezés beszerelése



Hűtőszekrény hőmérsékletének a beállítása

1. Nyomja meg a „K2” gombot (Fridge / (My Zone) / Freezer kiválasztása) a hűtőrekesz kiválasztásához. Az „A” ikon (hűtőrekesz) és a „D” ikon (hőmérséklet kijelző) világít.
2. A hűtő hőmérsékletének a beállításához nyomja meg a „K1/K8” gombot.
A hőmérséklet 1 °C-os lépésekben növekszik 2 °C-os minimumról 8 °C-os maximumig. A hűtőszekrényben az optimális hőmérséklet 5 °C. Alacsonyabb hőmérsékletek szükségtelen energiafogyasztást eredményeznek.
3. Körülbelül 5 másodperc elteltével a „D” (Hőmérséklet kijelző) hőmérséklet ikon folyamatosan világít, és a beállítás megerősítést nyer.

Fagyasztó hőmérsékletének a beállítása

1. Nyomja meg a „K2” gombot (Fridge / (My Zone) / Freezer kiválasztása) gombot a fagyasztórekesz °C ikon kiválasztásához. A „C” (fagyasztórekesz) és a „D” (hőmérséklet kijelző) ikonok világítanak.
2. A fagyasztó hőmérsékletének a beállításához nyomja meg a „K1/K8” gombot.
A hőmérséklet 1 °C-os lépésekben növekszik -24 °C-os minimumról -16 °C-os maximumig. A fagyasztóban az optimális hőmérséklet -18 °C. A hidegebb hőmérséklet szükségtelen energiafogyasztást jelent.
3. Körülbelül 5 másodperc elteltével a „D” (Hőmérséklet kijelző) hőmérséklet jelzőfény folyamatosan világít, és a beállítás megerősítést nyer.

My Zone hőmérsékletének a beállítása

A hűtőrekesz My Zone fiókkal rendelkezik. Az élelmiszertárolási igényeknek megfelelően kiválaszthatja a legmegfelelőbb hőmérsékletet az élelmiszerek optimális tápértékének a szavatolásához.

1. Nyomja meg a „K2” gombot (Fridge / (My Zone) / Freezer kiválasztása) a My Zone kiválasztásához. A „B” ikon (My Zone rekesz) és a „D” ikon (hőmérséklet kijelző) világít.
2. A My Zone hőmérsékletének a beállításához nyomja meg a „K1/K8” gombot.
A hőmérséklet 1 °C-os lépésekben növekszik 0 °C-os minimumról 5 °C-os maximumig.
3. Körülbelül 5 másodperc elteltével a „D” (Hőmérséklet kijelző) hőmérséklet ikon folyamatosan világít, és a beállítás megerősítést nyer.

i MEGJEGYZÉS

1. A My Zone rekesz hőmérsékletét beállíthatja a közepső szinten (2 °C), hogy az ételeket optimális tárolási környezetben őrizze meg.
2. A húsok különböző víztartalma miatt néhány nagyobb nedvességtartalmú hús 0 °C-nál alacsonyabb hőmérsékleten fagyasztanak le. Így az „azonnal szeletelt” húst a My Zone fiókban kell tárolni, min. 0 °C hőmérsékleten.
3. A hidegre érzékeny gyümölcsök, így például az ananász, az avokádó, a banán, a grapefruit és a zöldségek, mint például a burgonya, padlizsán, bab, uborka, cukkini, paradicsom és sajt nem tárolható a My Zone fiókban
4. Ha a hűtőszekrény hőmérséklete alacsonyabb, mint a My Zone hőmérséklete, akkor természetes, hogy a My Zone hőmérséklete alacsonyabb, mint a My Zone beállítási hőmérséklete
5. Ha a helyiség hőmérséklete 8 °C-nál alacsonyabb, a My Zone fiók hőmérséklete mindig 0 °C közelében lesz.

i MEGJEGYZÉS

A hőmérséklet beállítása után, ha 5 másodpercen belül megnyom valamilyen egyéb gombot, az aktuális hőmérséklet beállítás azonnal megerősítést nyer. Ha 5 másodpercen belül semmilyen gombművelet nem történik, az aktuális beállított hőmérséklet jelenik meg, amíg a képernyő ki nem kapcsol.

i MEGJEGYZÉS

Az alkalmazásból beállíthat egyéni hőmérsékletet úgy a hűtőszekrényben, mint a fagyasztóban és a My Zone rekeszben. A hőmérséklet beállítása 1 °C-os pontossággal lehetséges.

Super Cool funkció

1. Javasoljuk, hogy kapcsolja be a Super Cool funkciót, ha nagy mennyiségű élelmiszert kíván eltárolni (például vásárlás után). A Super Cool funkció felgyorsítja a friss élelmiszerek lehülését, és megvédi a már lehűtött árukat a nemkívánatos felmelegedéstől.
2. Nyomja meg a „K3” gombot, vagy kapcsolja be az alkalmazásból, az „E” ikon (Super Cool funkció) világít, és ekkor a funkció bekapcsol.



i MEGJEGYZÉS

1. A készülék kikapcsolja a „Super Cool funkciót” 6 órával a „Super Cool funkció” bekapcsolása után, vagy amikor megnyomja a „K3” gombot, amikor az „E” (Super Cool funkció) ikon világít, vagy amikor kikapcsolja a funkciót az alkalmazásból.
2. Super Cool állapotban, amikor a hűtőtér hőmérsékletét kívánja állítani, az „E” ikon (Super Cool funkció) villog, jelezve, hogy ez a művelet nem hajtható végre.

Super Freeze funkció

1. A friss élelmiszereket a lehető leggyorsabban fagyassza le teljes mértékben. Így a lehető legjobban megőrizheti a tápértéküket, megjelenésüket és ízüket. A Super Freeze funkció felgyorsítja a friss élelmiszerek hűtését, és megvédi a már tárolt árukat a nemkívánatos felmelegedéstől. Ha egyszerre nagy mennyiségű ételt kell lefagyasztania, ajánlott a Super Freeze funkciót 24 órával azelőtt bekapcsolni, hogy betenné az élelmiszert a fagyasztórekeszbe.
2. Nyomja meg a „K4” gombot (Super Freeze funkcióbeállítás), vagy kapcsolja be az alkalmazásból, ekkor az „F” ikon (Super Freeze funkció) világít, és ekkor a funkció bekapcsol.

i MEGJEGYZÉS

1. A készülék kikapcsolja a „Super Freeze funkciót” 50 órával a „Super Freeze funkció” bekapcsolása után, vagy amikor megnyomja a „K4” gombot, amikor az „F” (Super Freeze funkció) ikon világít, vagy amikor kikapcsolja a funkciót az alkalmazásból.
2. Super Freeze állapotban, amikor a fagyasztórekesz hőmérsékletét kívánja állítani, az „F” ikon (Super Freeze funkció) villog, jelezve, hogy ez a művelet nem végezhető el.

Holiday funkció

A Holiday funkció a készülék energiafogyasztásának csökkentésére szolgál, amikor a készüléket nem használják a megszokott módon. Amikor a funkció be van kapcsolva, a hűtőszekrény kikapcsol, viszont a fagyasztó továbbra is normálisan működik. A funkció a hűtőszekrény hőmérsékletét tartósan 17 °C-ra állítja.

Ez lehetővé teszi, hogy az üres hűtőszekrény ajtaja zárva maradjon anélkül, hogy szag vagy penész alakulna ki hosszú távollét (pl. nyaralás) alatt. A fagyasztórekesz hőmérséklete szabadon beállítható.



1. Nyomja meg a „K5” gombot (Holiday funkció be/ki), vagy válassza ki a funkciót az alkalmazásból, a „G” ikon (Holiday funkció) világít, és ekkor a funkció bekapcsol.
2. A funkció kikapcsolható a „K5” (Holiday funkció be/ki) gomb ismételt megnyomásával, vagy a hűtő hőmérsékletének a beállításával, vagy bármely más beállítás végrehajtásával, illetve az alkalmazásból való kikapcsolásával.

MEGJEGYZÉS

1. Bekapcsolt Holiday funkció mellett ne tároljon ételt a hűtőrekeszben. A 17 °C-os hőmérséklet túl magas élelmiszerek tárolásához.
2. Bekapcsolt Holiday funkció mellett a My Zone ikon nem világít, és a készülék zárolja a hűtőszekrény funkciót. Amikor a hűtőrekesz hőmérsékletét állítja, az „G” ikon (Holiday funkció) villog, jelezve, hogy ez a művelet nem hajtható végre.

Eco Mode funkció

Az Eco Mode aktiválásával optimalizálhatja a készülék teljesítményét, miközben a készülék optimális körülményeket biztosít az élelmiszer tárolásához. Ha nincsenek különleges követelményei, javasoljuk, hogy használja az Eco Mode funkciót.

Ebben az üzemmódban a hűtő hőmérséklete 5 °C, a fagyasztó hőmérséklete pedig -18 °C.



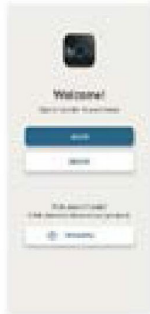

1. Nyomja meg a „K6” gombot (Eco Mode funkció be/ki), vagy válassza ki a funkciót az alkalmazásból.
2. A „H” ikon (Eco Mode funkció) világít, és a funkció be van kapcsolva.

A funkció ismét kikapcsolható a fenti lépések megismétlésével, egy másik funkció kiválasztásával, vagy az alkalmazásból való kikapcsolással. A készülék visszaállítja a korábban beállított hűtési szinteket.

MEGJEGYZÉS

Eco Mode funkció mellett, amikor a hűtő-/fagyasztórekesz hőmérsékletét kívánja állítani, a „H” ikon (Eco Mode funkció) villog, ez jelzi, hogy ez a művelet nem hajtható végre.

1. lépés Töltse le a hOn-App alkalmazást a megfelelő áruházak egyikéből.

   	
<p>2. lépés Hozza létre fiókját a hOn-App alkalmazásban, vagy jelentkezzen be, ha már van fiókja.</p> 	<p>3. lépés Kövesse a hOn-App alkalmazás párosításra vonatkozó utasításait.</p> 

Wi-Fi funkció

1. A Wi-Fi funkció konfigurálásához kövesse az alkalmazás utasításait.
2. A Wi-Fi konfigurálása és a kapcsolat létrehozása után az „I” Wi-Fi ikon bekapcsol és folyamatosan világít.
3. Ha a Wi-Fi funkciót már konfigurálta, ez automatikusan újracsatlakozik a konfigurációs adatoknak megfelelően, amikor bekapcsolja a Wi-Fi funkciót.

MEGJEGYZÉS

1. A Wi-Fi kikapcsolásához nyomja meg a „K7” Wi-Fi gombot, és az „I” Wi-Fi ikon kikapcsol.
2. A Wi-Fi bekapcsolásához és a konfigurálás megkezdéséhez nyomja meg a „K7” Wi-Fi gombot, és az „I” Wi-Fi ikon lassú villogásba kezd. Ha konfigurálni szeretné a Wi-Fi funkciót, nyomja meg a „K7” gombot 3 másodpercig, a Wi-Fi ikon gyorsan villog, és megnyílik a konfigurációs üzemmód. A Wi-Fi funkció kikapcsolásához nyomja meg egyszer a „K7” gombot. A fenti lépéseket meg kell ismételni.
3. Ha a készülék konfigurálása megtörtént, és a Wi-Fi funkció ki van kapcsolva, a hűtőszekrény nem lép konfigurációs üzemmódba a tápellátás visszakapcsolása után.

MEGJEGYZÉS

1. Ez a termék nem kereskedelmi használatra készült.
2. A maximális RF kimeneti teljesítmény: 2,4 GHz Wi-Fi: 16 dBm;
3. Bluetooth LE: 5 dBm; Bluetooth (BR/EDR): 10 dBm.
4. Üzemi frekvenciasáv: 2400-2483,5 MHz.



Tárolás a hűtőrekeszben

- A hűtőszekrényben a hőmérsékletet tartsa 5 °C alatt.
- A forró élelmiszert a készülékbe helyezés előtt mindenképpen hűtse le szobahőmérsékletre.
- A hűtőberendezésben tárolt élelmiszereket előzetesen mossa meg és szárítsa meg.
- A tárolni kívánt élelmiszert helyezze megfelelően zárható edénybe, hogy elkerülje az illatok és ízek módosulását.
- Ne tároljon túlságosan sok élelmiszert a készülékben. Hagyjon területet az élelmiszerek között, hogy a hideg levegő keringhessen mellettük, így jobb hatásfokú és homogénebb lesz a hűtés.
- A napi rendszerességgel fogyasztott élelmiszereket a polc elején tárolja.
- A légáramlás lehetővé tétele érdekében hagyjon némi teret az élelmiszerek és a belső falak között. Semmiképpen ne tároljon élelmiszereket úgy, hogy azok a hátsó fallal érintkezzenek, mivel az élelmiszer megfagyhat. Kerülje az élelmiszer (különösen az olajos vagy savas ételek) közvetlen érintkezését a belső bevonattal, mivel az olaj/sav a belső bevonat károsodását eredményezheti. Távolítsa el az olajos/savas szennyeződések, amint észleli ezeket.
- A fagyasztott élelmiszerek lassan felolvaszthatók a hűtőszekrény rekeszében. Ezzel energiát takaríthat meg.
- Egyes gyümölcsök és zöldségek, mint például a cukkini, dinnye, papaja, banán, ananász stb. érési folyamata felgyorsulhat a hűtőszekrényben. Következésképpen nem javasoljuk ezeknek a hűtőberendezésben való tárolását. Mindazonáltal rendkívül zöld gyümölcsök esetében a hűtőberendezésben adott ideig elősegíthető az érési folyamat. Javasoljuk, hogy a hagymát, fokhagymát, gyömbért és egyéb gyökeres zöldségeket szobahőmérsékleten tárolja.
- A hűtőben érezhető kellemetlen illat megjelenése arra utal, hogy valami kiömlött, és a készülék tisztítást igényel. Lásd az Ápolás és tisztítás részt.
- Különböző élelmiszereket különböző területeken helyezzen el az ételek tulajdonságai szerint.

Tárolás a fagyasztórekeszben

- A fagyasztó hőmérsékletét tartsa -18 °C-on.
- Fagyasztás előtt 24 órával kapcsolja be a Super-Freeze funkciót. Kis mennyiségű étel esetén 4–6 óra is elegendő.
- A forró élelmiszert a fagyasztó rekeszbe helyezés előtt mindenképpen hűtse le szobahőmérsékletre.
- Az apró darabokra szeletelt élelmiszer gyorsabban lefagyasztható, illetve könnyebben kiolvasztható és megfőzhető. Javasoljuk, hogy az egyes darabok tömege ne érje el a 2,5 kg-ot



- Javasoljuk, hogy csomagolja be az élelmiszert, mielőtt a fagyasztoába tenné azt. A zacskók összeragadásának megelőzése érdekében biztosítsa a csomagolások külső felületének a szárazságát. A csomagolásoknak szagmentesnek, légmentesnek, nem mérgezőnek és ártalmatlannak kell lenniük.
- A tárolt élelmiszerek szavatossági idejének a lejártát elkerülendő, kérjük, jegyezze fel a lefagyasztás dátumát, a szavatossági időt és az élelmiszer nevét a csomagolásra, az adott élelmiszerek szavatossági idejének megfelelően.



FIGYELMEZTETÉS!

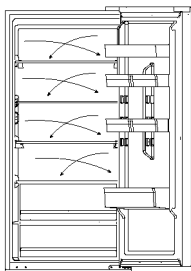
- ▶ A sav, lúg és só stb. károsíthatja a fagyasztoá belső felületét.
- ▶ Ne helyezze el az ilyen anyagokat (pl. tengeri halakat) tartalmazó élelmiszereket úgy, hogy azok hozzáérhessenek a belső felülethez. A fagyasztoában lévő sós vizet azonnal távolítsa el.
- ▶ Ne haladja meg a gyártó által javasolt tárolhatósági időt. Csak a szükséges mennyiségű ételt vegye ki a fagyasztoából.
- ▶ A kiolvasztott ételt gyorsan fogyassza el. A kiolvasztott élelmiszer kizárólag megfőzést követően fagyasztható le ismét, ellenkező esetben kevésbé fagyaszthatóvá válhat.
- ▶ Ne tegyen túl sok friss élelmiszert a fagyasztoá rekeszbe. Lásd a fagyasztoá fagyasztoási kapacitását - Lásd a MŰSZAKI ADATOK részt vagy az adattáblán található adatokat.
- ▶ A fagyasztoában legalább $-18\text{ }^{\circ}\text{C}$ -on 2 és 12 hónap közötti ideig tárolható az élelmiszer a jellemzőitől függően (pl. hús: 3–12 hónap, zöldségek: 6–12 hónap)
- ▶ Friss élelmiszer lefagyasztásakor kerülje a már fagyasztoált élelmiszerral való érintkezést. Kiolvadás veszélye!

A kereskedelmi forgalomban lévő fagyasztoált élelmiszerek tárolásakor kövesse az alábbi irányelveket:

- Mindig kövesse a gyártó utasításait arra vonatkozóan, hogy mennyi ideig tárolhatja az élelmiszert. Ne lépje túl a javasolt értékeket!
- Az élelmiszerek minőségének megőrzése érdekében törekedjen arra, hogy a legrövidebb idő teljen el a vásárlás és a lefagyasztás időpontja között.
- $-18\text{ }^{\circ}\text{C}$ -on vagy annál alacsonyabb hőmérsékleten tárolt fagyasztoált élelmiszereket vásároljon.
- Kerülje az olyan élelmiszereknek a vásárlását, amelyek csomagolásán jég vagy fagy látható. Ez azt jelzi, hogy a termékeket részben kiolvasztották, majd valamikor újrafagyasztoálták; a hőmérséklet-emelkedés befolyásolja az élelmiszerek minőségét.

i MEGJEGYZÉS

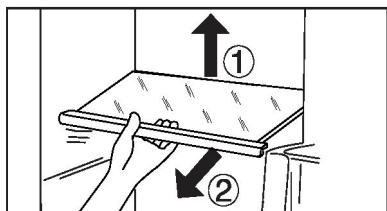
A különböző modellek miatt előfordulhat, hogy a termék nem rendelkezik az összes alábbi funkcióval. Lásd a Termékleírás című fejezetet.



Többirányú légáramlás

A hűtőszekrény többirányú légáramlási rendszerrel van felszerelve, ez hűvös légárammal látja el az összes polcszintet. Ez segít az egységes hőmérséklet megőrzésében a készülékben, így az étel hosszabb ideig frissebb maradhat.

Állítható polc



1. A polcok magasságát az Ön tárolási igényeihez igazíthatja.
2. Egy polc áthelyezéséhez először emelje fel a hátsó szélét ①, majd húzza ki a polcot ②.
3. A visszaszereléshez helyezze mindkét oldalon a fűlekre, és tolja a leghátsó helyzetbe, amíg a polc hátulja nem rögzül az oldalsó nyílásokban.

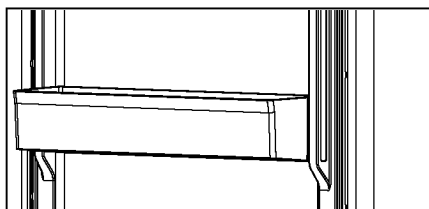
i MEGJEGYZÉS

Győződjön meg arról, hogy a polc mindegyik éle vízszintesen helyezkedik el.

Levehető ajtó erkélyrekesz

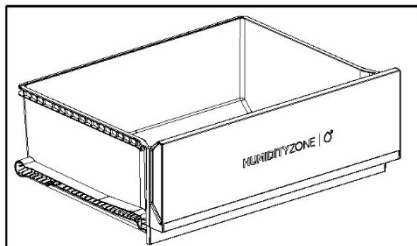
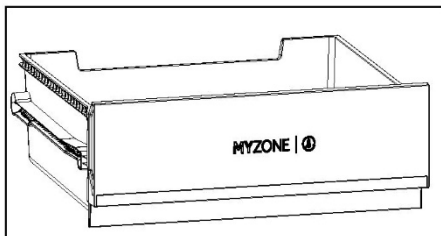
Az ajtó erkélyrekesze tisztítás céljából eltávolítható:

Tegye a kezét az erkélyrekesz két oldalára, emelje fel (1), majd húzza ki a polcot (2). Az ajtó erkélyrekesz behelyezéséhez hajtsa végre a fenti lépéseket fordított sorrendben.



My Zone fiók

A My Zone rekesz használatához és beállításához tájékozódjon a HASZNÁLAT szakaszból (My Zone).



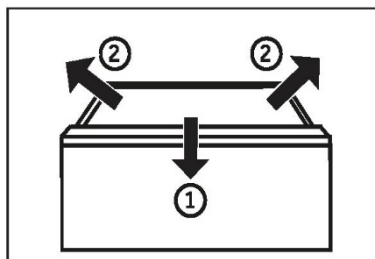
Humidity Zone fiók

Ebben a rekeszben a rendszer automatikusan szabályozza a páratartalmat, és a rekesz alkalmas gyümölcsök, zöldségek, saláták stb. tárolására.

Eltávolítható fiók

Ha ki szeretné venni a fiókot a hűtőszekrényből vagy a fagyasztóból, húzza ki a lehető legnagyobb mértékben (1), emelje meg és vegye ki (2).

A fiók behelyezéséhez fordított sorrendben hajtsa végre a fenti lépéseket.



Fagyasztó fiók

A fagyasztó fiók egyenesen és teljesen kihúzható. Ezek könnyen gördülő teleszkópos sínre vannak szerelve. Így kényelmesen tárolhatja és távolíthatja el a fagyasztott árut. Az automatikus ajtócsukó mechanizmusnak köszönhetően a kezelés egyszerű, és a készülék energiatakarékos.



FIGYELMEZTETÉS!

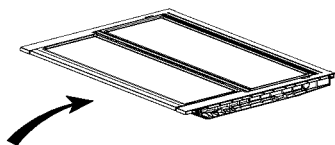
Ne terhelje túl a fiókokat: Az egyes fiókok maximális terhelhetősége: 35 kg!

A világítás

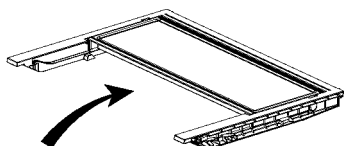
A LED-es belső világítás bekapcsol az ajtónak a nyitásakor. A lámpák teljesítményét a készülék semmilyen egyéb beállítása sem befolyásolja.

Összehajtható polc

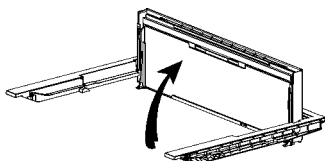
Az összehajtható polc lehetővé teszi a felhasználó számára, hogy magas palackokat vagy tárgyakat tegyen a polcokra. A polc hátul összehajtható, és így az alsó polcon nagyobb szabad hely válik elérhetővé. A polc a 1.–3. ábrák követésével hajtható össze. Ha vissza kívánja tenni az eredeti helyére, fordított sorrendben végezze el az alábbi eljárásokat.



1. lépés: Lassan nyomja a polc elejét ütközésig.



2. lépés: Lassan nyomja fel a polcot függőleges helyzetbe.



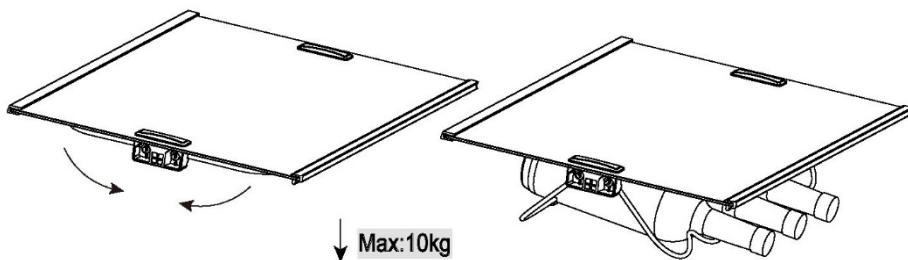
3. lépés: A polc függőleges. Így helyet takarít meg.

Összecsukható bortartó

Normál használat

1. Húzza le a bortartó konzoljait
2. Illessze a palackokat a tartóba

Ha nem használja, a bortartót vissza lehet hajtani, és így helyet takaríthat meg.





Energiatakarékossági tippek

- ▶ Bizonyosodjon meg arról, hogy a készülék megfelelő szellőzéssel rendelkezik (lásd a TELEPÍTÉS részt).
- ▶ Ne telepítse a készüléket közvetlen napsugárzásnak kitett helyre vagy hőforrások közelébe (pl. kályhák, fűtőberendezések).
- ▶ Kerülje a szükségtelenül alacsony hőmérsékletet a készülékben. Az energiafogyasztás növekszik a készülék beállított hőmérsékletének a csökkentésével.
- ▶ Az olyan funkciók, mint a SUPER FREEZE, magasabb energiafogyasztást eredményeznek.
- ▶ Mielőtt a készülékbe tenné, hagyja, hogy a meleg élelmiszer kihűljön.
- ▶ Minél kevésbé és minél rövidebb ideig nyissa ki a készüléknek az ajtaját.
- ▶ Ne töltsé túlságosan meg a készüléket, mivel ez akadályozza a légáramlást.
- ▶ Kerülje, hogy levegő legyen az élelmiszerek csomagolásában.
- ▶ Az ajtóztömítéseket tartsa tisztán, hogy az ajtó mindig megfelelően becsukódhasson.
- ▶ A fagyasztott élelmiszereket olvassza fel a hűtőrekeszben, vagy használja a D-Frost funkciót a My Zone fiókban.
- ▶ A leginkább energiatakarékos működéshez a fióknak, az élelmiszerrekesznek és a polcoknak a készülékben kell lenniük olyan állapotban, ahogyan a gyárat elhagyta a készülék, az élelmiszert pedig úgy kell elhelyezni, hogy a légcsatorna kimenetét ne akadályozza.



FIGYELMEZTETÉS!

Tisztítás előtt válassza le a hálózatról a készüléket.

Tisztítás

Akkor tisztítsa meg a készüléket, amikor kevés vagy semmilyen élelmiszer nem található benne.

A készüléket tisztítsa meg négyhetente a megfelelő karbantartás jegyében, illetve megelőzendő a kellemetlen élelmiszer illatok kialakulását.



FIGYELMEZTETÉS!

- ▶ Ne tisztítsa a készüléket keménysörtés kefékkel, drótkefékkel, mosóporral, benzinnel, amil-acetáttal, acetonnal és hasonló szerves oldatokkal, valamint savas vagy lúgos oldatokkal. A károsodások elkerülése érdekében a hűtőszekrény tisztítását speciális, adott célra kialakított tisztítószerrel végezze.
- ▶ Tisztítás közben ne permetezze vagy öblítse le a készüléket.
- ▶ Ne használjon vízpermetet vagy gőzt a készülék tisztításához.
- ▶ A hideg üvegpolcokat ne tisztítsa forró vízzel. A hirtelen hőmérséklet-változás nyomán az üveg megrepedhet.
- ▶ Ne érintse meg a fagyasztórekesz belső felületét, különösen nedves kézzel, mert a keze a felülethez fagyhat.
- ▶ Felmelegítés esetén ellenőrizze a fagyasztott áruk állapotát.



- ▶ Mindig tartsa tisztán az ajtó tömítést.
- ▶ Tisztítsa meg a készülék belsejét és burkolatát meleg vízzel és semleges tisztítószerrel átnedvesített szivaccsal.
- ▶ 1. Tisztítsa meg a hűtőszekrény belsejét és külsejét, beleértve az ajtó tömítést, az ajtópolcot, az üvegpolcokat, a dobozokat és így tovább, puha törölkendővel vagy meleg vízbe mártott szivaccsal (a művelethez a meleg vízbe elegyíthet semleges tisztítószer).
- ▶ 2. Ha folyadék ömlött ki, távolítsa el az összes szennyezett alkatrészt, öblítse át ezeket közvetlenül folyó víz alatt, majd szárítsa meg és tegye vissza az alkatrészeket a hűtőbe.
- ▶ 3. Krémszerű termékek (például tejszín, olvadó jégkrém) kiömlése esetén, kérjük, távolítsa el az összes szennyezett alkatrészt, helyezze adott időtartamra meleg, kb. 40 °C-os vízbe, majd öblítse át folyó vízzel, szárítsa meg, és tegye vissza a hűtőszekrénybe.
- ▶ 4. Abban az esetben, ha egy kisebb alkatrész vagy alkotóelem reked a hűtőszekrény belsejébe (a polcok vagy fiókok közé), az eltávolításhoz kis puha kefét használjon. Ha az alkatrész nem elérhető, kérjük, vegye fel a kapcsolatot a Haier szervizzel



- ▶ Öblítse le a felületeket, majd törölje szárazra egy puha törlőkendővel.
- ▶ A készülék egyetlen részét vagy tartozékát se tisztítsa mosogatógépben.
- ▶ A készülék újraindítása előtt várjon legalább 5 percet, mivel a készülék gyakori indítása során károsodhat a kompresszor.

Leolvasztás

A hűtőszekrény és a fagyasztórekeszek kiolvasztása automatikusan történik: nincs szükség felhasználói beavatkozásra.

A LED-es lámpák cseréje



FIGYELMEZTETÉS!

Ne tegyen kísérletet a LED-es lámpák saját kezű cseréjére, ezeket csak a gyártó vagy a hivatalos szerviz munkatársa cserélheti ki.

A lámpa fényforrása LED alapú, amely alacsony fogyasztást és hosszú élettartamot szavatol. Bármilyen rendellenesség esetén vegye fel a kapcsolatot az ügyfélszolgálatl. Lásd az ÜGYFÉLSZOLGÁLAT részt.

A lámpák paraméterei:

Alkatrész	LED-es lámpa
Feszültség	12 V
Max. teljesítmény	1,5 W
LED-specifikáció	Fehér-2835
LED hatékonysági osztály	G
Használati hőmérséklet	-40–80 °C

HDPW7620*, HTW7620*

Alkatrész	LED-es lámpa
Feszültség	12 V
Max. teljesítmény	8 W
LED-specifikáció	Fehér-4014
LED hatékonysági osztály	G
Használati hőmérséklet	-30–60 °C

Hosszabb használaton kívüli időszak

Ha a készüléket hosszabb ideig nem használja, és a Holiday funkciót nem használja:

Vegye ki az ételt.

Húzza ki a tápkábelt.

Tisztítsa meg a készüléket a fent leírtak szerint.

A kellemetlen szagok készüléken belüli megjelenésének elkerülése érdekében hagyja nyitva az ajtókat.



MEGJEGYZÉS

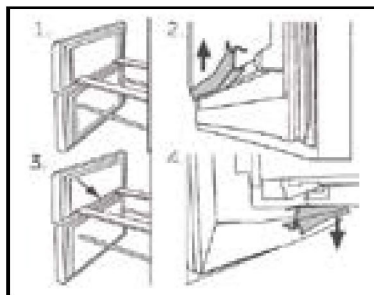
Csak akkor kapcsolja ki a készüléket, ha feltétlenül szükséges.

Eltávolítható kiegészítő ajtó-tömítések

A felső és alsó fagyasztó fiókoknál hat kiegészítő ajtó-tömítést találhat.

1. Keresse meg az öt jelzett ajtó-tömítést a felső és az alsó fagyasztó fiókokon.
2. Ügyeljen arra, hogy rögzítéskor a tömítések hajlított szakaszai befelé mutassanak.
3. Keresse meg a felső fióknak az alsó tömítését a jelzett módon.
4. Ügyeljen arra, hogy rögzítéskor a tömítés hajlított szakasza lefelé nézzen.

Ezeket a tömítéseket, valamint a forgó ajtó/fiók tömítéseit megrendelheti az ügyfélszolgálaton keresztül (lásd a jótállási jegyet).



A készülék mozgatása

1. Távolítsa el az összes élelmiszert, és húzza ki a készülék csatlakozódugóját.
2. Rögzítse a polcokat és az egyéb mozgatható alkatrészeket a hűtőben és a fagyasztóban szigetelőszalaggal.
3. A hűtőrendszer károsodásának az elkerülése érdekében ne döntse meg a hűtőberendezést 45°-nál nagyobb szögben.



FIGYELMEZTETÉS!

- ▶ Ne emelje a készüléket a fogantyútól.
- ▶ Soha ne fektesse a készüléket vízszintesen a földre.

Sok felmerülő problémát saját maga is megoldhat speciális szakértelem nélkül. Probléma felmerülése esetén ellenőrizze az összes felsorolt lehetőséget, és kövesse az alábbi utasításokat, mielőtt felvenné a kapcsolatot egy ügyfélszolgálattal. Lásd az ÜGYFÉLSZOLGÁLAT részt.



FIGYELMEZTETÉS!

- ▶ Karbantartás előtt kapcsolja ki a készüléket, és húzza ki a hálózati dugaszt a hálózati aljzathoz.
- ▶ Az elektromos berendezéseket csak szakképzett villamosági szakemberek szervizelhetik, mert a nem megfelelő javítások jelentős károkat okozhatnak.
- ▶ Sérült tápkábel esetén a veszély elkerülése érdekében cseréltesse ki azt a gyártóval, a gyártó szervizközpontjával vagy más szakemberrel.

Hibaelhárítási táblázat

Probléma	Lehetséges ok	Lehetséges megoldás
A kompresszor nem működik.	A hálózati dugaszt nem csatlakoztatta a hálózati aljzathoz.	Csatlakoztassa a hálózati dugót.
	A készülék leolvasztási ciklust végez.	Ez természetes jelenség automatikus leolvasztásnál.
A készülék gyakran bekapcsol vagy túlságosan hosszú ideig üzemel.	A beltéri vagy kültéri hőmérséklet túl magas.	Ebben az esetben természetes, hogy a készülék üzemideje megnövekedett.
	A készülék hosszabb ideig kikapcsolt állapotban volt.	Normál esetben 8 és 12 óra közötti időtartam szükséges a készülék teljes lehűléséhez.
	Egy ajtó/fiók a készülékben nem záródik megfelelően.	Csukja be az ajtót/fiókot, és bizonyosodjon meg arról, hogy a készülék egyenes felületen található, és hogy élelmiszer vagy tárolóedény nem gátolja az ajtó záródását.
	Az ajtót/fiókot túlságosan gyakran nyitotta ki, vagy túlságosan sokáig tartotta nyitva.	Ne nyissa ki az ajtót/fiókot túl gyakran.
	A fagyasztórekesz hőmérsékletének a beállítása túl alacsony.	Állítsa a hőmérsékletet magasabbra, amíg el nem éri a megfelelő hűtőszekrény hőmérsékletet. A hűtőszekrény hőmérséklete stabilizálása 24 órát vesz igénybe.
	Az ajtó/fiók tömitése szennyezett, kopott, repedt vagy nem megfelelő.	Tisztítsa meg az ajtó/fiók tömitését, vagy cserélje ezt az ügyfélszolgálat bevonásával.
A szükséges szellőzés nem biztosított.	Bizonyosodjon meg arról, hogy megfelelő a szellőzés.	



Probléma	Lehetséges ok	Lehetséges megoldás
A hűtőszekrény belső része szennyezett és/vagy kellemetlen szagú.	A hűtőszekrény belső része tisztítást igényel.	Tisztítsa meg a hűtőszekrény belső részét.
	Erős illatú élelmiszert tárol a hűtőszekrényben.	Alaposan csomagolja be az élelmiszert.
Nincs elég hideg a készülék belsejében.	A beállított hőmérséklet túl magas.	Állítsa vissza a hőmérsékletet.
	Túl meleg ételt helyezett be.	Tárolás előtt mindig hűtse le az ételeket.
	Túl sok ételt helyezett egyszerre a készülékbe.	Az élelmiszereket mindig kis mennyiségben helyezze be.
	Az élelmiszereket egymáshoz túl közel helyezte.	Hagyjon rést az élelmiszerek között, ami lehetővé teszi a levegő áramlását.
	Egy ajtó/fiók a készülékben nem záródik megfelelően.	Csukja be az ajtót/fiókot.
	Az ajtót/fiókot túlságosan gyakran nyitotta ki, vagy túlságosan sokáig tartotta nyitva.	Ne nyissa ki az ajtót/fiókot túl gyakran.
Túl hideg van a készülék belsejében.	A beállított hőmérséklet túl alacsony.	Állítsa vissza a hőmérsékletet.
	A Super Freeze funkciót bekapcsolta, vagy a funkció túl sokáig üzemel.	Kapcsolja ki a Super Freeze funkciót.
Pára csapódik le a hűtőrekesz belső részén.	Az éghajlat túl meleg vagy túl nedves.	Növelje a hőmérsékletet.
	Egy ajtó/fiók a készülékben nem záródik megfelelően.	Csukja be az ajtót/fiókot.
	Az ajtót/fiókot túlságosan gyakran nyitotta ki, vagy túlságosan sokáig tartotta nyitva.	Ne nyissa ki az ajtót/fiókot túl gyakran.
	Étel- vagy folyadékátárolók nyitott állapotban maradtak a hűtőben.	A forró élelmiszereket hagyja szobahőmérsékletre hűlni, illetve fedje le az élelmiszereket és folyadékokat.
Nedvesség gyűlik fel a hűtőberezés külső felületén vagy az ajtó/ajtók és a fiók között.	Az éghajlat túl meleg vagy túl nedves.	Ez természetes jelenség nedves éghajlati viszonyok között, és megszűnik, amint csökken a páratartalom.
	Az ajtó/fiók nincs megfelelően becsukva.	Bizonyosodjon meg arról, hogy megfelelően becsukta az ajtót/fiókot.
A kijelzőn megjelenő ikonok felváltva villognak, és a hűtőrendszer nem működik.	Demo módban van	A hűtőszekrény csatlakozik a tápellátáshoz Nyomja meg és tartsa lenyomva a „ZÓNA” gombot, majd kattintson ötször az „Eco Mode” gombra, ekkor az ikonok felváltva abbahagyják a villogást.



Probléma	Lehetséges ok	Lehetséges megoldás
Vastag jég és zúzmara található a fagyasztróerekben.	Az élelmiszereket nem megfelelően csomagolta be.	Az élelmiszereket mindig jól csomagolja be.
	Egy ajtó/fiók a készülékben nem záródik megfelelően.	Csukja be az ajtót/fiókot.
	Az ajtót/fiókot túlságosan gyakran nyitotta ki, vagy túlságosan sokáig tartotta nyitva.	Ne nyissa ki az ajtót/fiókot túl gyakran.
	Az ajtó/fiók tömítése szennyezett, kopott, repedt vagy nem megfelelő.	Tisztítsa meg az ajtó/fiók tömítését, vagy cserélje ki ezt újjal.
	Valami belülről megakadályozza az ajtónak/fióknak a megfelelő záródását.	Helyezze vissza a polcokat, az ajtópolcokat vagy belső tartályokat úgy, hogy az ajtó/fiók becsukódhasson.
A készülék rendellenes hangokat ad ki.	A készüléket nem vízszintes talajon helyezte el.	Állítsa be a lábakat a készülék szintbe állításához.
	A készülék hozzáér valamilyen körülötte lévő tárgyhoz.	Távolítsa el a készülék mellett lévő tárgyakat.
Az áramló vízhez hasonló halk hang hallható.	Ez természetes jelenség.	/
Riasztó hangjelzése hallható.	A hűtőrekesz ajtója nyitva maradt.	Csukja be az ajtót, vagy némitssa el manuálisan a riasztást.
Egy halvány zúmmogás hallható.	A lecsapódásgátló rendszer üzemel.	Ez megakadályozza a páralecsapódást és normális.
A belső világítás vagy hűtőrendszer nem működik.	A hálózati dugasz nem csatlakozik a hálózati aljzathoz	Csatlakoztassa a hálózati dugót.
	Az áramellátás nem megfelelő.	Ellenőrizze a helyiség áramellátását. Vegye fel a kapcsolatot a helyi áramszolgáltatóval!
	A LED-es lámpa meghibásodott.	Vegye fel a kapcsolatot a szervizzel a lámpa kicseréléséhez.
A szekrény oldalai és az ajtótömítés felmelegedik.	Ez természetes jelenség.	/
Nem távozik víz a vízadagoló csövéből	Nem kapcsolta ki a zárat.	Kapcsolja ki a zárat



Tápellátás megszakadása

- ▶ Tápkimaradás esetén az élelmiszer biztonságos hidegben marad megközelítőleg 13 órán át. Hosszabb tápkimaradás esetén, különösen nyáron, kövesse az alábbi tippeket.
- ▶ Minél kevesebbszer nyissa ki az ajtót/fiókot.
- ▶ Tápkimaradás esetén ne tegyen további élelmiszereket a készülékbe.
- ▶ Ha a szolgáltató előzetesen tájékoztat a várható tápkimaradásról, és ha a tápkimaradás időtartama meghaladja az 13 órát, gyártson pár jégkockát, és helyezze a hűtőrekesz felső polcára.
- ▶ A megszakítást követően azonnal vizsgálja meg az élelmiszereket.
- ▶ Mivel a hűtőszekrényben a hőmérséklet áramkimaradás vagy egyéb meghibásodás esetén emelkedni fog, a tárolási időtartam és az élelmiszer fogyaszthatósági időtartama lecsökken. Röviddel a kimaradást követően a kioldadt élelmiszert fogyassza el, vagy főzze meg, és fagyassza le ismét (ha lehetséges) az egészségügyi kockázatok elkerülése érdekében.



MEGJEGYZÉS

Memória funkció áramkimaradás esetén

Az áramellátás helyreállítása után a készülék az áramkimaradás előtt meghatározott beállításokkal folytatja az üzemet.

A műszaki támogatással való kapcsolatfelvételhez látogasson el a következő webhelyre: <https://corporate.haier-europe.com/en/>

A „webhely” (website) rész alatt válassza ki a termék márkáját és országát. Az oldal átirányítja az adott webhelyre, ahol megtalálható a műszaki támogatás eléréséhez szükséges telefonszám és egyéb kapcsolatfelvételi módok.

Kicsomagolás



FIGYELMEZTETÉS!

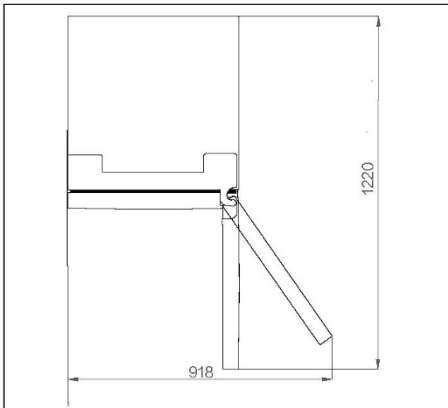
- ▶ A készülék nehéz. A készülék mozgatásához mindig legalább két személy szükséges.
- ▶ Tartson minden csomagolóanyagot gyermekektől elzárva, kiselejtezésüket pedig környezetbarát módon végezze.
- ▶ Vegye ki a készüléket a csomagolásból.
- ▶ Távolítsa el az összes csomagolóanyagot.

Környezeti körülmények

A szobahőmérsékletnek mindig 10 °C és 43 °C között kell lennie, mivel befolyásolhatja a készülék belsejének hőmérsékletét és energiafogyasztását. Szigetelés nélkül ne telepítse a készüléket egyéb hőkibocsátó készülékek (sütők, hűtőgépek) közelébe.

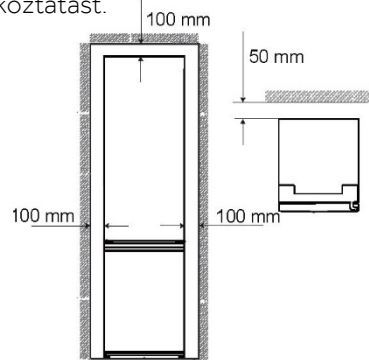
Helyigény

Szükséges hely ajtónyitáshoz.



Szellőzés keresztmetszet

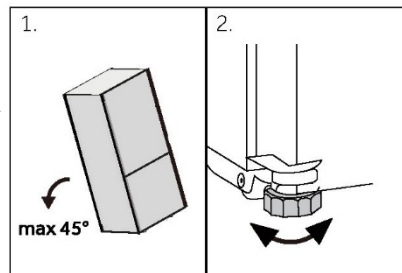
A készülék számára biztonsági okokból szükséges szellőzése érdekében kötelezően vegye figyelembe a szellőzés keresztmetszetére vonatkozó tájékoztatást.

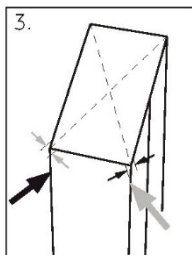


A készülék elhelyezése

A készüléket sík és szilárd felületre telepítse.

1. Döntse a hűtőszekrényt kissé hátrafelé.
 2. Állítsa a lábakat a kívánt szintre.
- Bizonyosodjon meg arról, a zsanér felőli oldalon a fal legalább 100 mm-re található, így biztosítható az ajtó megfelelő nyithatósága.

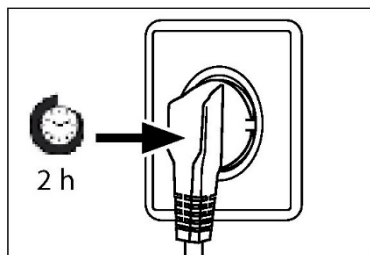




1. A stabilitást ellenőrizheti, ha az átlók mentén nyomást helyez a készülékre. A kis lengésnek mindkét irányban azonosnak kell lennie. Ellenkező esetben a keret görbülhet; ez pedig esetleg szivárgó ajtó tömítéseket eredményezhet. Az enyhe hátradőlés elősegíti az ajtók bezáródását.

i MEGJEGYZÉS

Önálló készülékek esetén: ez a hűtőberendezés kialakításából adódóan nem arra készült, hogy beépíthető készülékként használják



Várakozási idő

Karbantartásmentes kenőolaj található a kompresszorban kialakított gyűjtőedényben. Ferde szállítás esetén ez az olaj a zárt csőrendszerbe juthat. Mielőtt tápellátáshoz csatlakoztatná a készüléket, mindenképpen várjon legalább 2 órát, hogy az olaj visszajusson a gyűjtőedénybe.

Elektromos csatlakoztatás

Minden egyes csatlakoztatás előtt ellenőrizze az alábbiakat:

- ▶ tápellátás, aljzat és biztosíték megfelelősége az adattáblán szereplő adatoknak;
- ▶ a tápaljzat földeléssel rendelkezik, és nem használ többcsatlakozós hosszabbítót a tápellátáshoz;
- ▶ a tápdugasz és az aljzat teljes mértékben illeszkedik egymáshoz.

Csatlakoztassa a csatlakozódugót egy megfelelően beépített háztartási aljzathoz.

! FIGYELMEZTETÉS!

A kockázatok elkerülése érdekében a sérült tápkábelt kötelezően ki kell cserélni, ezt pedig csak az ügyfélszolgálat munkatársa végezheti el (lásd a jótállási jegyet).



Ajtó nyitásának váltása

Mielőtt csatlakoztatná a készüléket az áramforráshoz, ellenőrizze, hogy az ajtó nyitását jobbról (leszállított állapot) balra kell-e fordítani, ha ezt a telepítési hely és a használhatóság megköveteli.



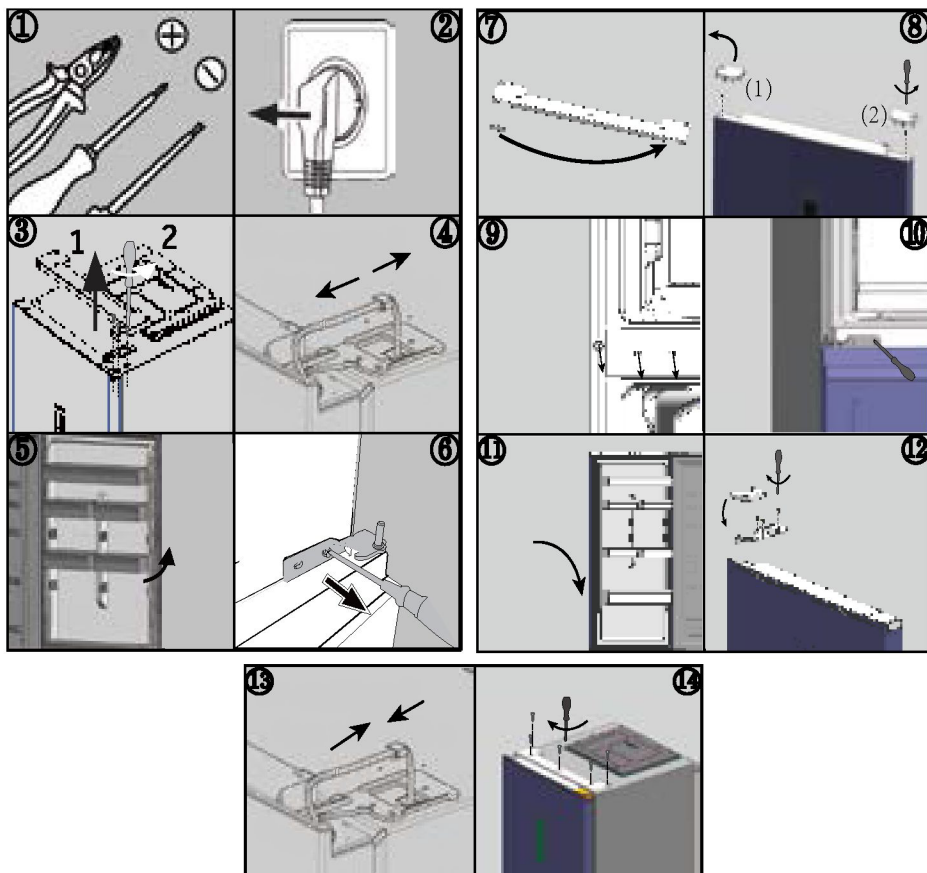
FIGYELMEZTETÉS!

- ▶ A készülék nehéz. Az ajtó megfordítása két embert igényel.
- ▶ Bármilyen művelet előtt először húzza ki a készüléket a hálózati aljzataból
- ▶ A hűtőrendszer károsodásának a megelőzése érdekében ne döntse meg a készüléket 45°-nál nagyobb mértékben.

Összeszerelési lépések

1. Biztosítsa a szükséges szerszámot.
2. Húzza ki a készüléket a hálózati aljzataból.
3. Távolítsa el a felső zsanér burkolatát 1, és csavarozza ki a felső zsanért (három csavar) a jobb oldalon 2.
4. Húzza ki a csatlakozókábelt
5. Óvatosan emelje le a hűtőszekrény meglazított ajtaját a középső zsanérról.
6. Távolítsa el a középső zsanért.
7. Távolítsa el az előlap kis fedelét balról jobbra.
8. Fordítsa fejjel lefelé az ajtót, és csavarja le a fedelet (1). Vegye ki az új fedelet (2) a szükséges alkatrészek tasakjából, és csavarja fel az ellenkező oldalra.
9. Módosítsa a vakdugóknak és az oldalsó csavarnak a helyzetét.
10. Csavarozza fel a középső zsanért a készülék bal oldalára. Ügyeljen a középső zsanér forgócsapjának megfordítására, ügyelve arra, hogy a tömitéssel ellátott oldal felfelé mutasson
11. Óvatosan emelje rá a felső ajtót a középső zsanérra. Majd győződjön meg arról, hogy a forgócsap illeszkedik az alsó ajtó csuklópántjához.
12. Vegye ki az új felső zsanért és a zsanérburkolatot a tartozéktasakból. Vezesse át a csatlakozókábelt a zsanéron keresztül, és rögzítse a felső zsanért a készülék bal oldalán található három csavarral. Majd tegye a zsanérfedelet a zsanérra.
13. Csatlakoztassa a csatlakozókábelt.
14. Szerelje vissza az előlapot, és rögzítse öt csavarral.

Az ajtó nyitási irányának a cseréje után ellenőrizze, hogy az ajtó tömitések megfelelően vannak-e elhelyezve a burkolaton, és hogy az összes csavar megfelelően meg van-e húzva.



Környezeti hőmérsékletek

Kiterjesztett mérsékelt osztály: a hűtőberendezés 10 °C közötti 32 °C környezeti hőmérsékleten való felhasználásra készült

Mérsékelt osztály: a hűtőberendezés 16 °C közötti 32 °C környezeti hőmérsékleten való felhasználásra készült;

Szubtrópusi osztály: a hűtőberendezés 16 °C közötti 38 °C környezeti hőmérsékleten való felhasználásra készült;

Trópusi osztály: a hűtőberendezés 16 °C közötti 43 °C környezeti hőmérsékleten való felhasználásra készült.



Az (EU) 2019/2016 előírásnak megfelelő paraméterek

24 órás szabványos teszteredmények alapján. A valós energiafogyasztás a készülék használati módjának és elhelyezésének függvényében változik

Modell	HTW5618DN*	HTW5620DN*	HTW5618EN*
Hűtőberendezés típusa	Hűtő-fagyasztó	Hűtő-fagyasztó	Hűtő-fagyasztó
Energiahatékonysági osztály	D	D	E
Éves energiafogyasztás (kWh/év)	217	226	271
Hűtőtér térfogata (l)	201	255	201
Fagyasztórekesz térfogata (L)	125	125	125
Hűtőrekesz térfogata (l)	34	34	34
Fagyasztási osztály	4 csillagos	4 csillagos	4 csillagos
Leolvasztás típusa	Automatikus leolvasztás	Automatikus leolvasztás	Automatikus leolvasztás
Hőmérséklet-emelkedési idő (ó)	13	13	11
Fagyasztási kapacitás (kg/24 ó)	10,0	10,0	10,0
Klímaosztály	SN.N.ST.T	SN.N.ST.T	SN.N.ST.T
Zajkibocsátási osztály és levegőben terjedő akusztikus zajkibocsátás (dB(A) re 1 pW)	B(35)	B(35)	B(35)



Modell	HTW5618CN*	HTW5620CN*	HTW5620EN*
Hűtőberendezés típusa	Hűtő-fagyasztó	Hűtő-fagyasztó	Hűtő-fagyasztó
Energiahatékonysági osztály	C	C	E
Éves energiafogyasztás (kWh/év)	173	181	283
Hűtőtér térfogata (l)	201	255	255
Fagyasztórekesz térfogata (L)	125	125	125
Hűtörekesz térfogata (l)	34	34	34
Fagyasztási osztály	4 csillagos	4 csillagos	4 csillagos
Leolvasztás típusa	Automatikus leolvasztás	Automatikus leolvasztás	Automatikus leolvasztás
Hőmérséklet-emelkedési idő (ó)	13	13	11
Fagyasztási kapacitás (kg/24 ó)	10,0	10,0	10,0
Klímaosztály	SN.N.ST.T	SN.N.ST.T	SN.N.ST.T
Zajkibocsátási osztály és levegőben terjedő akusztikus zajkibocsátás (dB(A) re 1 pW)	B(35)	B(35)	B(35)



Modell	HDPW5618DN*	HDPW5620DN* HDPW3620DN*	HTW7620CN*
Hűtőberendezés típusa	Hűtő-fagyasztó	Hűtő-fagyasztó	Hűtő-fagyasztó
Energiahatékonysági osztály	D	D	C
Éves energiafogyasztás (kWh/év)	214	220	181
Hűtőtér térfogata (l)	201	255	255
Fagyasztórekesz térfogata (L)	117	117	125
Hűtörekesz térfogata (l)	34	34	34
Fagyasztási osztály	4 csillagos	4 csillagos	4 csillagos
Leolvasztás típusa	Automatikus leolvasztás	Automatikus leolvasztás	Automatikus leolvasztás
Hőmérséklet- emelkedési idő (ó)	13	13	13
Fagyasztási kapacitás (kg/24 ó)	10,0	10,0	10,0
Klímaosztály	SN.N.ST.T	SN.N.ST.T	SN.N.ST.T
Zajkibocsátási osztály és levegőben terjedő akusztikus zajkibocsátás (dB(A) re 1 pW)	B(35)	B(35)	B(35)



Modell	HDPW3618DN*	HDPW3620CN*	HTW3620DN*
Hűtőberendezés típusa	Hűtő-fagyasztó	Hűtő-fagyasztó	Hűtő-fagyasztó
Energiahatékonysági osztály	D	C	D
Éves energiafogyasztás (kWh/év)	214	176	226
Hűtőtér térfogata (l)	201	255	255
Fagyasztórekesz térfogata (L)	117	117	125
Hűtőrekesz térfogata (l)	34	34	34
Fagyasztási osztály	4 csillagos	4 csillagos	4 csillagos
Leolvasztás típusa	Automatikus leolvasztás	Automatikus leolvasztás	Automatikus leolvasztás
Hőmérséklet-emelkedési idő (ó)	13	13	13
Fagyasztási kapacitás (kg/24 ó)	10,0	10,0	10,0
Klímaosztály	SN.N.ST.T	SN.N.ST.T	SN.N.ST.T
Zajkibocsátási osztály és levegőben terjedő akusztikus zajkibocsátás (dB(A) re 1 pW)	B(35)	B(35)	B(35)



Modell	HDPW5618CN*	HDPW5620CN*	HDPW5620AN* HDPW7620AN*
Hűtőberendezés típusa	Hűtő-fagyasztó	Hűtő-fagyasztó	Hűtő-fagyasztó
Energiatékonyossági osztály	C	C	A
Éves energiafogyasztás (kWh/év)	171	176	114
Hűtőtér térfogata (l)	201	255	255
Fagyasztórekesz térfogata (L)	117	117	120
Hűtörekesz térfogata (l)	34	34	34
Fagyasztási osztály	4 csillagos	4 csillagos	4 csillagos
Leolvasztás típusa	Automatikus leolvasztás	Automatikus leolvasztás	Automatikus leolvasztás
Hőmérséklet- emelkedési idő (ó)	13	13	16
Fagyasztási kapacitás (kg/24 ó)	10,0	10,0	10,0
Klímaosztály	SN.N.ST.T	SN.N.ST.T	SN.N.ST.T
Zajkibocsátási osztály és levegőben terjedő akusztikus zajkibocsátás (dB(A) re 1 pW)	B(35)	B(35)	B(35)



Modell	HDPW5620BN*	HTW7620DN*	HDPW7620AAN*
Hűtőberendezés típusa	Hűtő-fagyasztó	Hűtő-fagyasztó	Hűtő-fagyasztó
Energiahatékonysági osztály	B	D	A
Éves energiafogyasztás (kWh/év)	142	226	92
Hűtőtér térfogata (l)	255	255	255
Fagyasztórekesz térfogata (L)	120	125	120
Hűtőrekesz térfogata (l)	34	34	34
Fagyasztási osztály	4 csillagos	4 csillagos	4 csillagos
Leolvasztás típusa	Automatikus leolvasztás	Automatikus leolvasztás	Automatikus leolvasztás
Hőmérséklet-emelkedési idő (ó)	13	13	16
Fagyasztási kapacitás (kg/24 ó)	10,0	10,0	12,0
Klímaosztály	SN.N.ST.T	SN.N.ST.T	SN.N.ST.T
Zajkibocsátási osztály és levegőben terjedő akusztikus zajkibocsátás (dB(A) re 1 pW)	B(35)	B(35)	B(35)



Modell	HTW5618DW*		
Hűtőberendezés típusa	Hűtő-fagyasztó		
Energiahatékonysági osztály	D		
Éves energiafogyasztás (kWh/év)	216		
Hűtő térfogata (l)	198		
Fagyasztórekesz térfogata (L)	125		
Hűtőrekesz térfogata (l)	34		
Fagyasztási osztály	4 csillagos		
Leolvasztás típusa	Automatikus leolvasztás		
Hőmérséklet-emelkedési idő (ó)	13		
Fagyasztási kapacitás (kg/24 ó)	10,0		
Klímaosztály	SN.N.ST.T		
Zajkibocsátási osztály és levegőben terjedő akusztikus zajkibocsátás (dB(A) re 1 pW)	B(35)		



Kiegészítő műszaki adatok

Modell	HTW5618DN*	HTW5618EN*	HTW5620DN*
Össztérfogat (l)	360	360	414
Feszültség / Frekvencia	220–240 V váltóáram / 50 Hz	220–240 V váltóáram / 50 Hz	220–240 V váltóáram / 50 Hz
Bemeneti áramerősség (A)	1,4	1,4	1,4
Fő biztosíték (A)	16	16	16
Hűtőközeg	R600a (53 g)	R600a (53 g)	R600a (53 g)
Méreték (Sz/Mé/Ma mm-ben)	595*667*1850	595*667*1850	595*667*2050

Modell	HTW5618CN*	HTW5620CN*	HTW5620EN*
Össztérfogat (l)	360	414	414
Feszültség / Frekvencia	220–240 V váltóáram / 50 Hz	220–240 V váltóáram / 50 Hz	220–240 V váltóáram / 50 Hz
Bemeneti áramerősség (A)	1,4	1,4	1,4
Fő biztosíték (A)	15	15	16
Hűtőközeg	R600a (50 g)	R600a (50 g)	R600a (53 g)
Méreték (Sz/Mé/Ma mm-ben)	595*667*1850	595*667*2050	595*667*2050



Modell	HDPW5618DN*	HDPW5620DN*	HDPW3620DN*
Össztérfogat (l)	352	406	406
Feszültség / Frekvencia	220–240 V váltóáram / 50 Hz	220–240 V váltóáram / 50 Hz	220–240 V váltóáram / 50 Hz
Bemeneti áramerősség (A)	1,4	1,4	1,4
Fő biztosíték (A)	16	16	16
Hűtőközeg	R600a (53 g)	R600a (53 g)	R600a (53 g)
Méreték (Sz/Mé/Ma mm-ben)	595*667*1850	595*667*2050	595*667*2050

Modell	HDPW5618CN*	HDPW5620CN*	HDPW5620AN*
Össztérfogat (l)	352	406	409
Feszültség / Frekvencia	220–240 V váltóáram / 50 Hz	220–240 V váltóáram / 50 Hz	220–240 V váltóáram / 50 Hz
Bemeneti áramerősség (A)	1,4	1,4	1,4
Fő biztosíték (A)	15	15	16
Hűtőközeg	R600a (50 g)	R600a (50 g)	R600a (50 g)
Méreték (Sz/Mé/Ma mm-ben)	595*667*1850	595*667*2050	595*667*2050



Kiegészítő műszaki adatok

Modell	HDPW3618DN*	HDPW3620CN*	HTW3620DN*
Össztérfogat (l)	352	406	414
Feszültség / Frekvencia	220–240 V váltóáram / 50 Hz	220–240 V váltóáram / 50 Hz	220–240 V váltóáram / 50 Hz
Bemeneti áramerősség (A)	1,4	1,4	1,4
Fő biztosíték (A)	16	15	16
Hűtőközeg	R600a (53 g)	R600a (50 g)	R600a (53 g)
Méreték (Sz/Mé/Ma mm-ben)	595*667*1850	595*667*2050	595*667*2050

Modell	HDPW7620AAN*	HDPW5620BN*	HDPW7620AN*
Össztérfogat (l)	409	409	409
Feszültség / Frekvencia	220–240 V váltóáram / 50 Hz	220–240 V váltóáram / 50 Hz	220–240 V váltóáram / 50 Hz
Bemeneti áramerősség (A)	1,4	1,4	1,4
Fő biztosíték (A)	16	16	16
Hűtőközeg	R600a (55 g)	R600a (50 g)	R600a (50 g)
Méreték (Sz/Mé/Ma mm-ben)	595*667*2050	595*667*2050	595*667*2050

**Kiegészítő műszaki adatok**

Modell	HTW7620DN*	HTW7620CN*	HTW5618DW*
Össztérfogat (l)	414	414	357
Feszültség / Frekvencia	220–240 V váltóáram / 50 Hz	220–240 V váltóáram / 50 Hz	220–240 V váltóáram / 50 Hz
Bemeneti áramerősség (A)	1,4	1,4	1,4
Fő biztosíték (A)	16	15	16
Hűtőközeg	R600a (53 g)	R600a (50 g)	R600a (53 g)
Méreték (Sz/Mé/Ma mm-ben)	595*667*2050	595*667*2050	595*667*1850



Figyelmébe ajánljuk a Haier ügyfélszolgálat és az eredeti pótalkatrészek igénybe vételét. Ha probléma merül fel a készülékkel, először tekintse át a HIBAELHÁRÍTÁS részt.

Ha ebben nem talál megoldást, lépjen kapcsolatba

- ▶ a helyi márkakereskedővel vagy
- ▶ európai telefonos ügyfélszolgálati központunkkal (lásd alább a felsorolt telefonszámokat) vagy
- ▶ a www.haier.com oldalon található Szerviz és támogatás (Service & Support) területen, ahol aktiválhatja a szervizelési
- ▶ igényt, illetve megtalálhatja a GYIK oldalt.

A szerviz szolgáltatásunkkal való kapcsolatfelvétel előtt bizonyosodjon meg arról, hogy elérhetőek az alábbi adatok.

Az információ az adattáblán található.

Modell _____

Sorozatszám _____

Jótállási igény felmerülése esetén ellenőrizze a termékhez mellékelt jótállási kártyát is.

Európai telefonos ügyfélszolgálati központ		
Ország*	Telefonszám	Költségek
Haier Italy (IT)	199 100 912	
Haier Spain (ES)	902 509 123	
Haier Germany (DE)	0180 5 39 39 99	<ul style="list-style-type: none"> • 14 cent/perc vezetékes • max. 42 cent/perc mobil
Haier Austria (AT)	0820 001 205	<ul style="list-style-type: none"> • 14,53 cent/perc vezetékes • max. 20 cent/perc összes egyéb
Haier United Kingdom (UK)	0333 003 8122	
Haier France (FR)	0980 406 409	



* További országokért látogasson el a www.haier.com oldalra
Haier Europe Trading S.r.l
Branch UK
Westgate House, Westgate, Ealing
London, W5 1YY

*A hűtőszekrény jótállásának időtartama:
Minimális jótállás: 2 év az uniós tagállamokban, 3 év Törökországban, 1 év az Egyesült Királyságban, 1 év Oroszországban, 3 év Svédországban, 2 év Szerbiában, 5 év Norvégiában, 1 év Marokkóban, 6 hónap Algériában, Tunézia nincs kötelező jogi jótállás.

*A készülék javításához szükséges pótalkatrészek rendelkezésre állásának időtartama:
Termosztátok, hőmérséklet érzékelők, nyomtatott áramköri lapok és fényforrások legalább hét évig elérhetők a piacra bocsátott utolsó modelltől számítva.
Ajtófogantyúk, ajtópántok, tálcák és kosarak legalább hét évig, míg ajtó tömítések legalább 10 évig elérhetők a piacra bocsátott utolsó modelltől számítva.

*A termékre vonatkozó további tájékoztatás ügyében tekintse meg az <https://eprel.ec.europa.eu/> oldalt, vagy olvassa be a készüléken elhelyezett, energiafogyasztást jelölő címkén található QR-kódot.

5 Informazioni per la sicurezzaOperazioni preliminari al primo utilizzo 6Installazione 6Utilizzo quotidiano 7**10 Uso previsto****11 Descrizione del prodotto****22 Pannello di controllo****23 Uso**Regolazione della temperatura del frigorifero 24Regolazione della temperatura del congelatore 24Regolazione della temperatura del comparto My Zone 24Funzione Super Cool 25Funzione Super Freeze 26**31 Dotazioni****35 Suggerimenti per il risparmio energetico****36 Cura e pulizia****39 Risoluzione dei problemi****43 Installazione****47 Dati tecnici****58 Assistenza clienti**

Fare clic sui contenuti per visualizzare le informazioni dettagliate.



Grazie per aver acquistato un prodotto Haier.

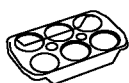
Leggere attentamente queste istruzioni prima di utilizzare l'elettrodomestico. Le istruzioni contengono informazioni importanti per ottimizzare l'uso dell'elettrodomestico e garantire l'installazione, l'uso e la manutenzione sicuri e corretti.

Conservare il presente manuale in un luogo comodo, in modo da poterlo sempre consultare per un uso sicuro e corretto dell'elettrodomestico.

Se l'elettrodomestico viene venduto, ceduto o abbandonato in caso di trasloco, trasferire anche il presente manuale in modo che il nuovo proprietario possa comprendere l'uso dell'elettrodomestico e delle avvertenze di sicurezza.

Accessori

Controllare gli accessori e la documentazione in base al seguente elenco:



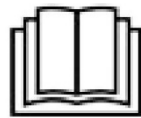
Vassoio per le uova



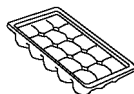
Etichetta energetica



Scheda della garanzia



Manuale per l'utente



Vassoio per ghiaccio in cubetti



Cerniere dello sportello



Coperchio della cerniera



Inserto del cappuccio

**AVVERTENZA – Informazioni importanti sulla sicurezza****AVVISO - Informazioni generali e consigli****Informazioni ambientali****Smaltimento**

Contribuire a proteggere l'ambiente e la salute umana. Collocare l'imballo in appositi contenitori affinché venga riciclato. Contribuire al riciclo dei rifiuti delle apparecchiature elettriche ed elettroniche. Non smaltire gli elettrodomestici contrassegnati con questo simbolo assieme ai rifiuti domestici. Conferire il prodotto presso la struttura di riciclo locale o rivolgersi all'ufficio comunale preposto.

**AVVERTENZA!**

Pericolo di lesioni o soffocamento!

I refrigeranti e i gas devono essere smaltiti in maniera professionale. Accertarsi che la tubazione del circuito del refrigerante non sia danneggiata prima di smaltirla correttamente. Scollegare l'elettrodomestico dalla rete elettrica. Tagliare il cavo di alimentazione e smaltirlo. Rimuovere vassoi e cassette, fermaporte e guarnizioni, per evitare che bambini e animali domestici rimangano chiusi nell'elettrodomestico.



Prima di accendere l'elettrodomestico per la prima volta, leggere i seguenti consigli sulla sicurezza:



AVVERTENZA!

Operazioni preliminari al primo utilizzo

- ▶ Accertarsi dell'assenza di danni dovuti al trasporto.
- ▶ Rimuovere tutti gli elementi di imballo e tenerli fuori dalla portata dei bambini.
- ▶ Per garantire la totale efficienza del circuito del refrigerante, attendere almeno due ore prima di installare l'elettrodomestico.
- ▶ L'elettrodomestico deve essere maneggiato sempre da almeno due persone perché è pesante.

Installazione

- ▶ Installare l'elettrodomestico in un luogo asciutto e ben ventilato. Lasciare uno spazio libero di almeno 10 cm sopra e attorno all'elettrodomestico.
- ▶ Non collocare mai l'elettrodomestico in zone umide o soggette a schizzi d'acqua. Pulire e asciugare schizzi e macchie d'acqua con un panno morbido e pulito.
- ▶ Non installare l'elettrodomestico esposto alla luce diretta del sole o in prossimità di fonti di calore (ad es. stufe o radiatori).
- ▶ Installare l'elettrodomestico a livello in un'area adatta alle dimensioni e all'uso.
- ▶ Le aperture di ventilazione nell'elettrodomestico o nella struttura a incasso devono rimanere sempre libere.
- ▶ Accertarsi che i dati elettrici sulla targhetta siano conformi all'alimentazione elettrica. In caso contrario, rivolgersi a un elettricista.
- ▶ L'elettrodomestico funziona con corrente elettrica 220-240 Vca / 50 Hz. Oscillazioni anomale della tensione possono causare il mancato avvio dell'elettrodomestico, danni al controllo della temperatura o al compressore oppure rumori anomali durante il funzionamento. In tal caso, è opportuno montare un regolatore automatico.
- ▶ Non adoperare prese multiple o cavi di prolunga.
- ▶ Non collocare prese multiple o alimentatori portatili nella parte posteriore dell'elettrodomestico.
- ▶ Accertarsi che il cavo di alimentazione non sia intrappolato dal frigorifero. Non calpestare il cavo di alimentazione.



AVVERTENZA:

- ▶ Per l'alimentazione elettrica utilizzare una presa separata collegata a terra e facilmente accessibile. L'elettrodomestico deve essere collegato a terra. Solo per il Regno Unito: il cavo di alimentazione dell'elettrodomestico è dotato di una spina a 3 conduttori (collegata a terra) adatta a una presa standard a 3 conduttori (collegata a terra). Non tagliare né smontare mai il terzo conduttore (collegamento a terra). Dopo l'installazione dell'elettrodomestico, la spina deve essere accessibile.
- ▶ Non danneggiare il circuito di refrigerazione.

Utilizzo quotidiano

- ▶ Questo elettrodomestico può essere utilizzato da bambini di almeno 8 anni, da persone con ridotte capacità fisiche, sensoriali o mentali e da persone inesperte solo sotto stretta sorveglianza o se hanno appreso le modalità di utilizzo sicuro dell'elettrodomestico e sono consapevoli dei relativi pericoli.
- ▶ I bambini di età da 3 a 8 anni possono introdurre e prelevare alimenti dall'elettrodomestico, ma non devono pulirlo o installarlo.
- ▶ Tenere lontani dall'elettrodomestico i bambini di età inferiore a 3 anni, a meno che non siano costantemente sorvegliati.
- ▶ Impedire ai bambini di giocare con l'elettrodomestico.
- ▶ In caso di perdite di gas refrigerante o altri gas infiammabili in prossimità dell'elettrodomestico, chiudere la valvola del gas che fuoriesce, aprire porte e finestre e non staccare la spina del cavo di alimentazione del frigorifero o di altri elettrodomestici.
- ▶ Si noti che l'elettrodomestico è impostato per il funzionamento in un intervallo di temperatura ambiente specifico compreso tra 10 e 43 °C. L'elettrodomestico potrebbe non funzionare correttamente se lasciato per un lungo periodo a una temperatura superiore o inferiore all'intervallo indicato.
- ▶ Non collocare elementi instabili (oggetti pesanti, contenitori pieni d'acqua) sopra il frigorifero, per evitare lesioni personali dovute a cadute o scosse elettriche causate dal contatto con l'acqua.
- ▶ Non caricare eccessivamente i ripiani dello sportello. Lo sportello potrebbe deformarsi, il portabottiglie potrebbe fuoriuscire o l'elettrodomestico potrebbe rovesciarsi.
- ▶ Aprire e chiudere gli sportelli solo adoperando le maniglie. La distanza tra gli sportelli e tra gli sportelli e il comparto è molto limitata. Non allungare le mani in queste zone per evitare di schiacciarsi le dita. Aprire o chiudere gli sportelli del frigorifero solo quando non ci sono bambini nel raggio di movimento degli sportelli.



AVVERTENZA!

- ▶ Non conservare né utilizzare materiali esplosivi o corrosivi nell'elettrodomestico o nelle vicinanze.
- ▶ Non conservare medicinali, batteri o sostanze chimiche nell'elettrodomestico. Questo apparecchio è un elettrodomestico. Si sconsiglia di conservare materiali che richiedono temperature rigide.
- ▶ Non riporre liquidi in bottiglie o lattine (né alcolici ad elevata gradazione), specialmente bevande gassate, nel congelatore, perché durante il congelamento potrebbero scoppiare.
- ▶ Se la temperatura del congelatore è aumentata, controllare lo stato degli alimenti.
- ▶ Non impostare una temperatura inutilmente bassa nel comparto frigorifero. Con impostazioni elevate possono crearsi temperature sotto zero. Attenzione: le bottiglie possono scoppiare
- ▶ Non toccare i prodotti congelati con le mani bagnate (indossare i guanti). In particolare, non mangiare i ghiaccioli subito dopo averli tolti dal comparto congelatore. In caso contrario, potrebbe congelarsi la bocca e potrebbero formarsi vesciche da gelo. PRONTO SOCCORSO: collocare immediatamente la zona congelata sotto l'acqua fredda corrente. Non tirare via la zona congelata!
- ▶ Non toccare la superficie interna del comparto congelatore durante il funzionamento, soprattutto con le mani bagnate, poiché le mani potrebbero congelarsi sulla superficie.
- ▶ In caso di blackout o prima della pulizia, scollegare l'elettrodomestico. Attendere almeno 7 minuti prima di riavviare l'elettrodomestico, poiché un avvio frequente può danneggiare il compressore.
- ▶ Non adoperare dispositivi elettrici all'interno dei comparti dell'elettrodomestico destinati alla conservazione degli alimenti, a meno che non siano del tipo consigliato dal produttore. Manutenzione / pulizia
- ▶ Accertarsi che i bambini siano sorvegliati se effettuano la pulizia e la manutenzione.
- ▶ Scollegare l'elettrodomestico dalla rete elettrica prima di effettuare operazioni di manutenzione ordinaria. Attendere almeno 5 minuti prima di riavviare l'elettrodomestico, poiché un avvio frequente può danneggiare il compressore.

**AVVERTENZA!**

- ▶ Scollegare l'elettrodomestico tenendo la spina e non il cavo.
- ▶ Non pulire l'elettrodomestico con spazzole rigide, spazzole metalliche, detersivi in polvere, benzina, acetato di pentile, acetone e soluzioni organiche simili, soluzioni acide o alcaline. Per evitare danni, effettuare la pulizia con un detergente speciale per frigoriferi.
- ▶ Non raschiare via ghiaccio e brina con oggetti appuntiti. Non adoperare spray, riscaldatori elettrici (ad es. asciugacapelli) o altre fonti di calore per evitare danni ai componenti in plastica.
- ▶ Non usare oggetti meccanici o utensili diversi da quelli consigliati dal produttore per accelerare lo sbrinamento.
- ▶ Se il cavo di alimentazione è danneggiato, deve essere sostituito dal produttore, da un tecnico dell'assistenza o da una persona con analogha qualifica per evitare rischi.
- ▶ Non cercare di riparare, smontare o modificare personalmente l'elettrodomestico. Per le riparazioni rivolgersi all'assistenza clienti.
- ▶ Eliminare la polvere sul retro dell'unità almeno una volta all'anno per scongiurare il rischio di incendio e limitare i consumi energetici.
- ▶ Non spruzzare o schizzare liquidi sull'elettrodomestico durante la pulizia.
- ▶ Per pulire questo elettrodomestico non utilizzare apparecchi a vapore.
- ▶ Non pulire i ripiani di vetro freddi con acqua calda. Un'improvvisa variazione della temperatura può causare la rottura del vetro.

Informazioni sul gas refrigerante**AVVERTENZA!**

L'elettrodomestico contiene il refrigerante infiammabile ISOBUTANO (R600a). Accertarsi che il circuito del refrigerante non abbia subito danni durante il trasporto o l'installazione. Eventuali perdite di refrigerante possono causare lesioni oculari o incendi. In caso di danni, tenere lontane fonti di fiamme libere, ventilare perfettamente l'ambiente e non collegare o scollegare i cavi di alimentazione dell'elettrodomestico o di altri elettrodomestici. Informare l'assistenza clienti.

In caso di contatto con gli occhi, sciacquare immediatamente con acqua corrente e rivolgersi tempestivamente a un oculista.



Uso previsto

Questo elettrodomestico è destinato al raffreddamento e al congelamento di alimenti. È stato progettato esclusivamente per l'uso in applicazioni domestiche e simili, ad es. zone cucina del personale in negozi, uffici e altri ambienti di lavoro; in fattorie, da clienti in hotel, motel e altri ambienti di tipo residenziale, nonché in bed-and-breakfast e attività di ristorazione. Non è destinato ad usi commerciali o industriali.

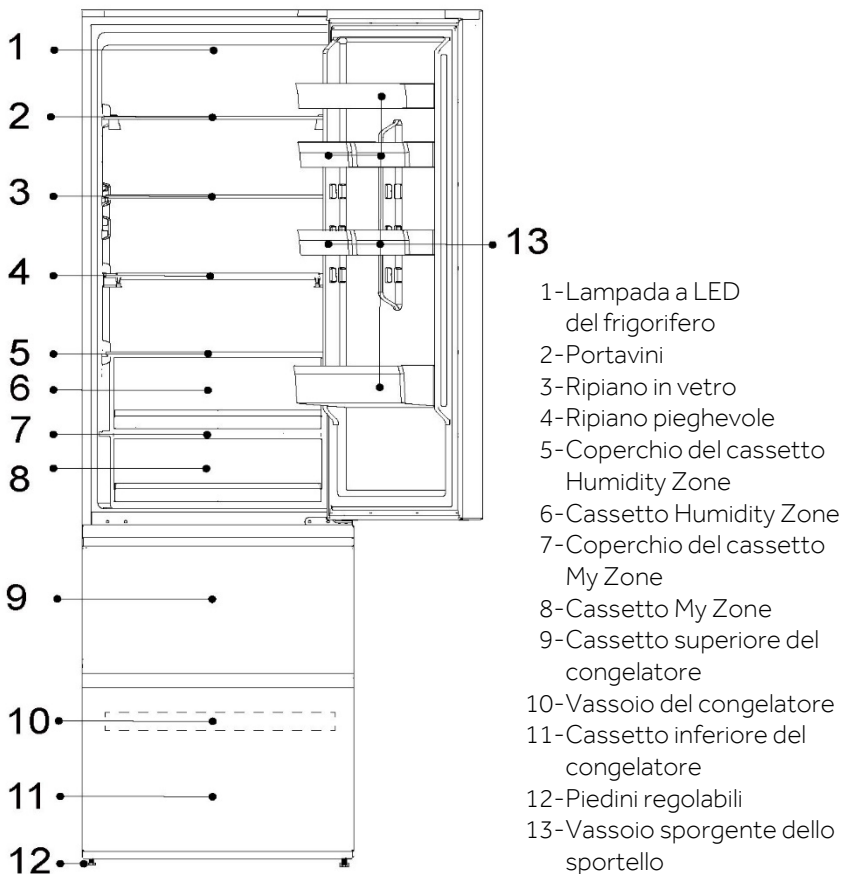
Non sono consentiti cambiamenti o modifiche all'elettrodomestico. Utilizzi errati possono causare pericoli e annullare la garanzia.

Norme e direttive

Questo prodotto è conforme ai requisiti di tutte le direttive CE vigenti con le corrispondenti norme armonizzate che prevedono il marchio CE.

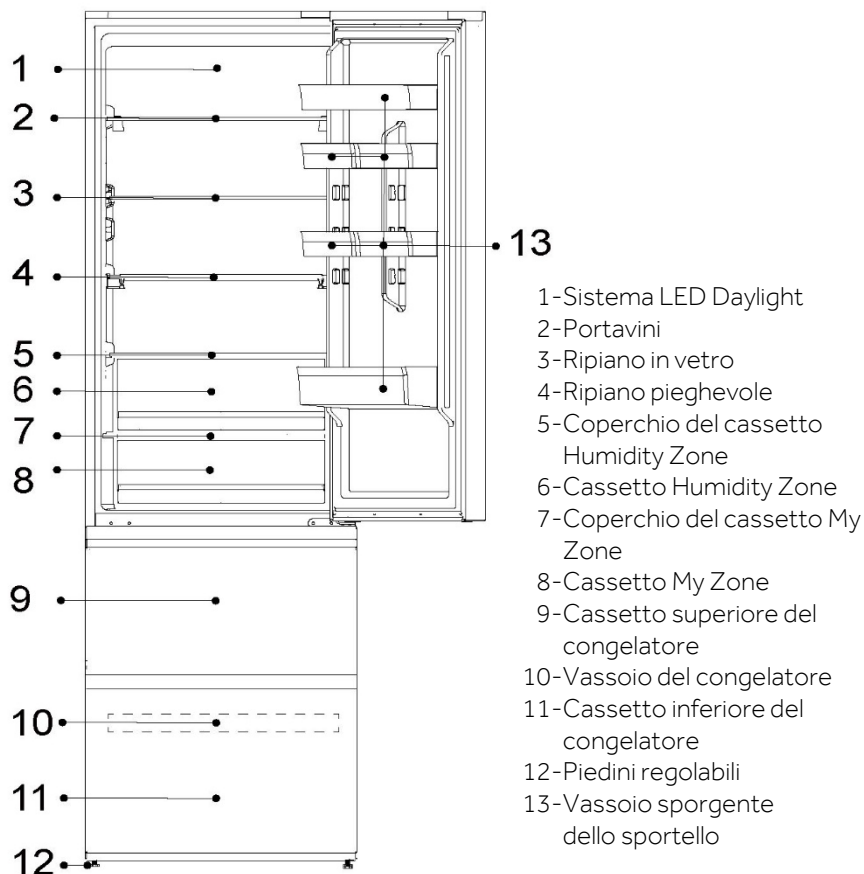
i AVVISO

A causa di modifiche tecniche e della varietà dei modelli, alcune illustrazioni riportate nel presente manuale possono essere diverse dall'aspetto reale del modello.
(HTW5620DN*, HTW5620CN*, HTW5620EN*)



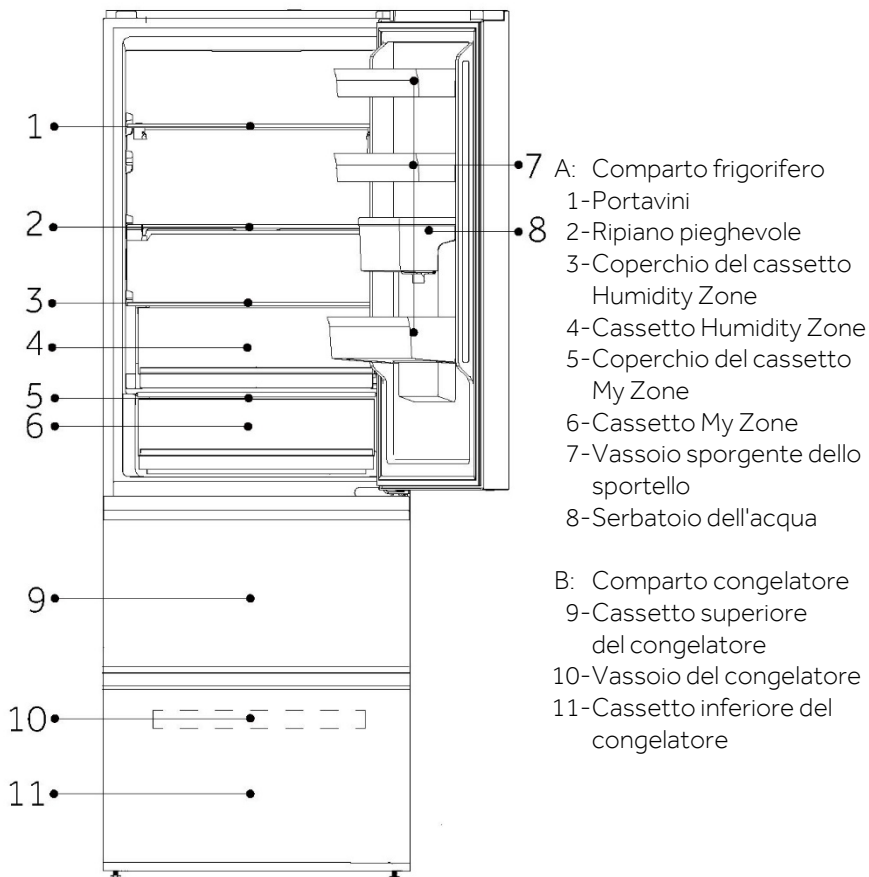
i AVVISO

A causa di modifiche tecniche e della varietà dei modelli, alcune illustrazioni riportate nel presente manuale possono essere diverse dall'aspetto reale del modello. (HTW7620AN*, HTW7620CN*, HTW7620DN*)



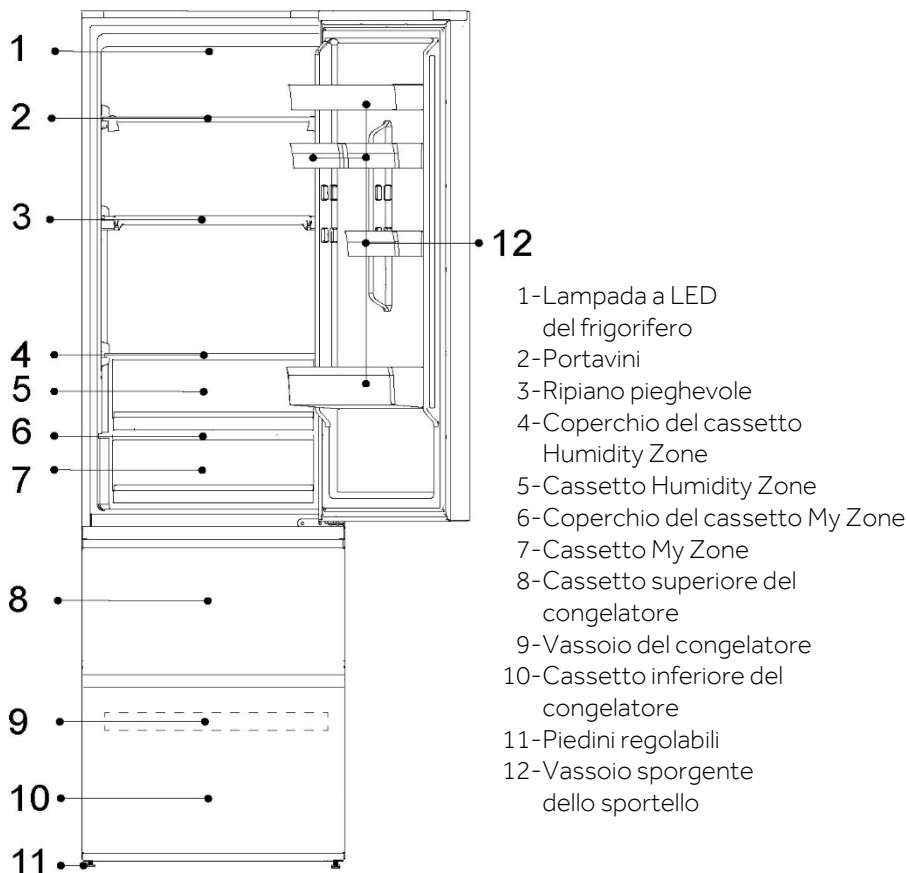
i AVVISO

A causa di modifiche tecniche e della varietà dei modelli, alcune illustrazioni riportate nel presente manuale possono essere diverse dall'aspetto reale del modello. (HTW5618DW*)



i AVVISO

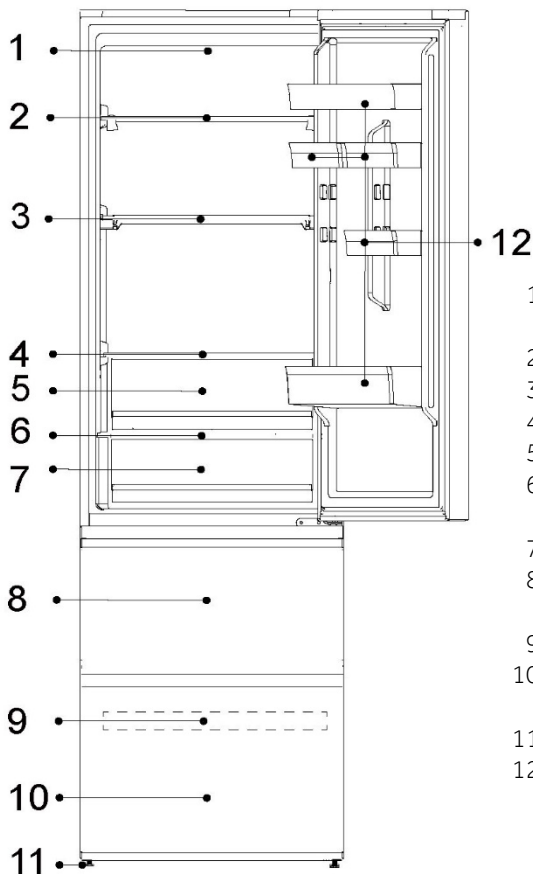
A causa di modifiche tecniche e della varietà dei modelli, alcune illustrazioni riportate nel presente manuale possono essere diverse dall'aspetto reale del modello.
(HTW5618DN*, HTW5618CN*, HTW5618EN*)



- 1-Lampada a LED del frigorifero
- 2-Portavini
- 3-Ripiano pieghevole
- 4-Coperchio del cassetto Humidity Zone
- 5-Cassetto Humidity Zone
- 6-Coperchio del cassetto My Zone
- 7-Cassetto My Zone
- 8-Cassetto superiore del congelatore
- 9-Vassoio del congelatore
- 10-Cassetto inferiore del congelatore
- 11-Piedini regolabili
- 12-Vassoio sporgente dello sportello

i AVVISO

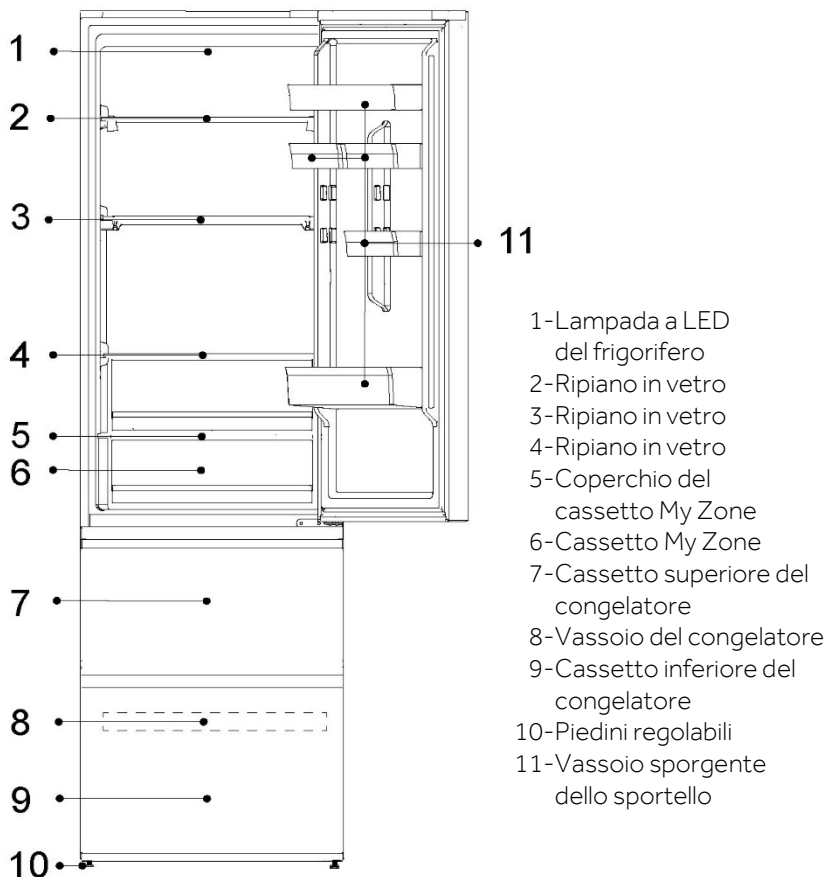
A causa di modifiche tecniche e della varietà dei modelli, alcune illustrazioni riportate nel presente manuale possono essere diverse dall'aspetto reale del modello. (HTW3620DN*)



- 1-Lampada a LED del frigorifero
- 2-Ripiano in vetro
- 3-Ripiano in vetro
- 4-Ripiano in vetro
- 5-Ripiano in vetro
- 6-Coperchio del cassetto My Zone
- 7-Cassetto My Zone
- 8-Cassetto superiore del congelatore
- 9-Vassoio del congelatore
- 10-Cassetto inferiore del congelatore
- 11-Piedini regolabili
- 12-Vassoio sporgente dello sportello

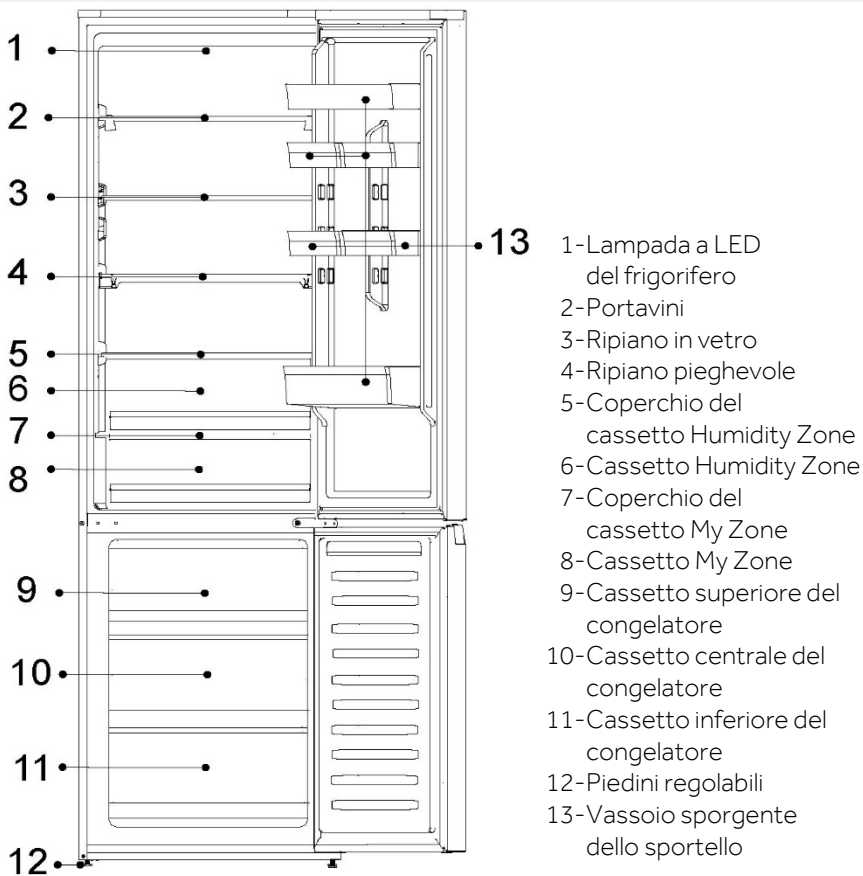
i AVVISO

A causa di modifiche tecniche e della varietà dei modelli, alcune illustrazioni riportate nel presente manuale possono essere diverse dall'aspetto reale del modello. (HTW3618DN*, HTW3618CN*, HTW3618EN*)



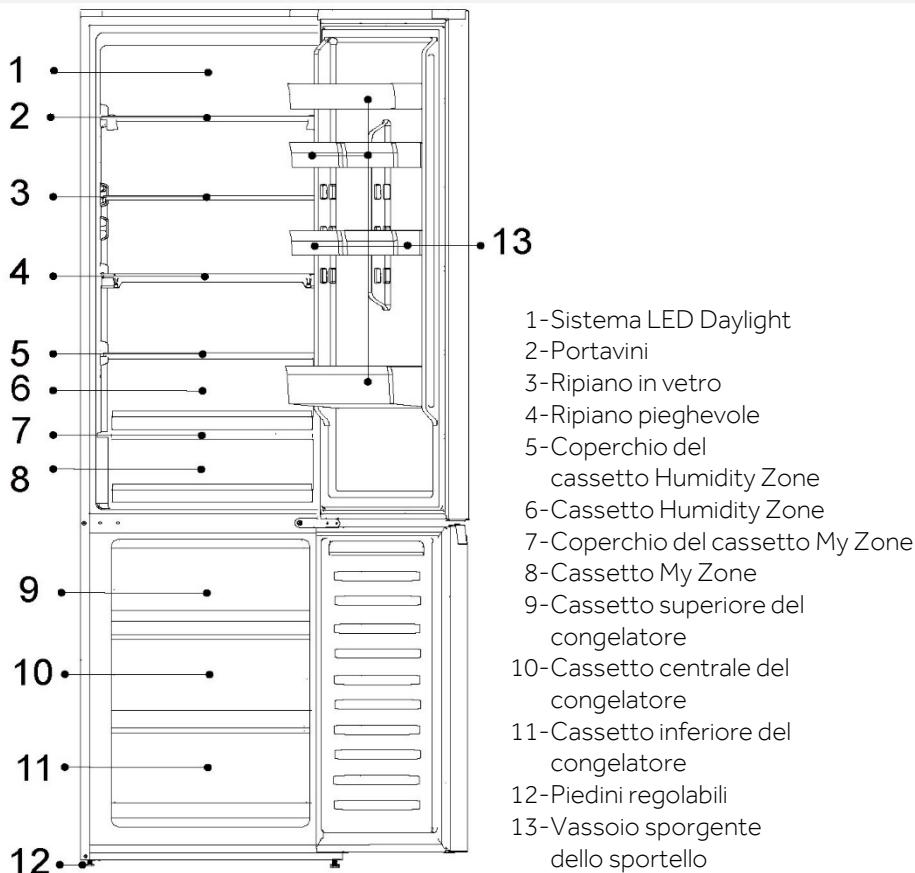
i AVVISO

A causa di modifiche tecniche e della varietà dei modelli, alcune illustrazioni riportate nel presente manuale possono essere diverse dall'aspetto reale del modello.
(HDPW5620DN*, HDPW5620CN*, HDPW5620AN*, HDPW5620BN*)



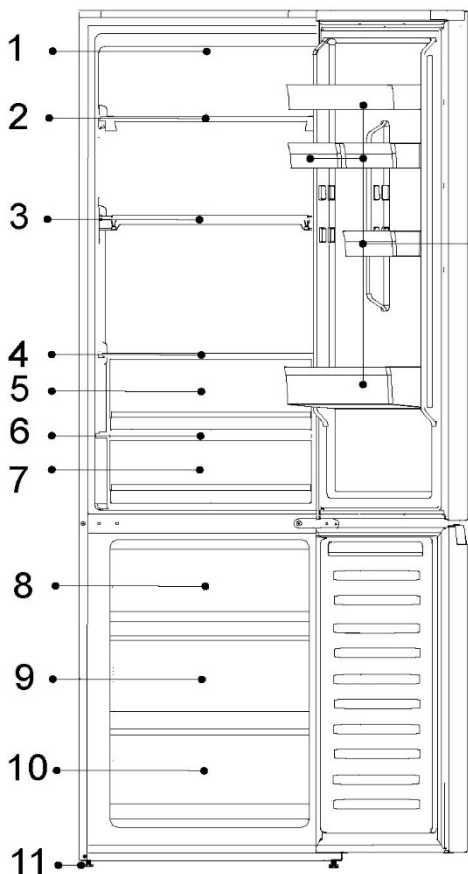
i AVVISO

A causa di modifiche tecniche e della varietà dei modelli, alcune illustrazioni riportate nel presente manuale possono essere diverse dall'aspetto reale del modello.
(HDPW7620AN*, HDPW7620AAN*)



i AVVISO

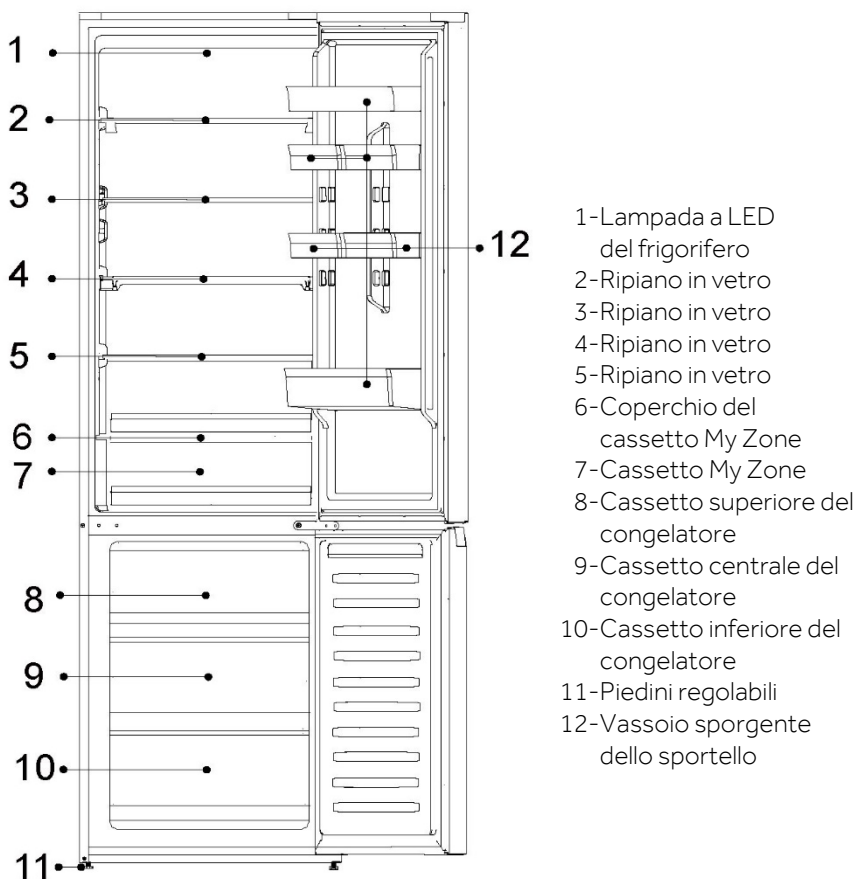
A causa di modifiche tecniche e della varietà dei modelli, alcune illustrazioni riportate nel presente manuale possono essere diverse dall'aspetto reale del modello. (HDPW5618DN*, HDPW5618CN*)



- 1-Lampada a LED del frigorifero
- 2-Portavini
- 3-Ripiano pieghevole
- 4-Coperchio del cassetto Humidity Zone
- 5-Cassetto Humidity Zone
- 6-Coperchio del cassetto My Zone
- 7-Cassetto My Zone
- 8-Cassetto superiore del congelatore
- 9-Cassetto centrale del congelatore
- 10-Cassetto inferiore del congelatore
- 11-Piedini regolabili
- 12-Vassoio sporgente dello sportello

i AVVISO

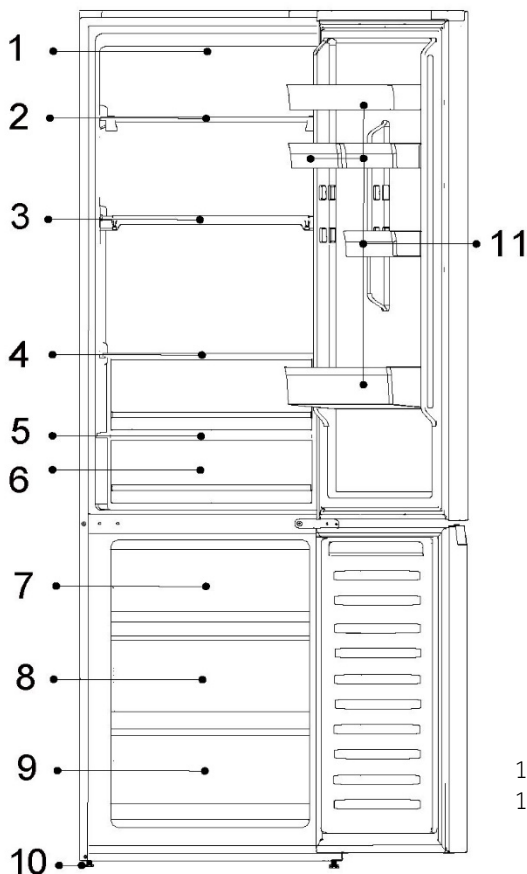
A causa di modifiche tecniche e della varietà dei modelli, alcune illustrazioni riportate nel presente manuale possono essere diverse dall'aspetto reale del modello.
(HDPW3620DN*, HDPW3620CN*)



- 1-Lampada a LED del frigorifero
- 2-Ripiano in vetro
- 3-Ripiano in vetro
- 4-Ripiano in vetro
- 5-Ripiano in vetro
- 6-Coperchio del cassetto My Zone
- 7-Cassetto My Zone
- 8-Cassetto superiore del congelatore
- 9-Cassetto centrale del congelatore
- 10-Cassetto inferiore del congelatore
- 11-Piedini regolabili
- 12-Vassoio sporgente dello sportello

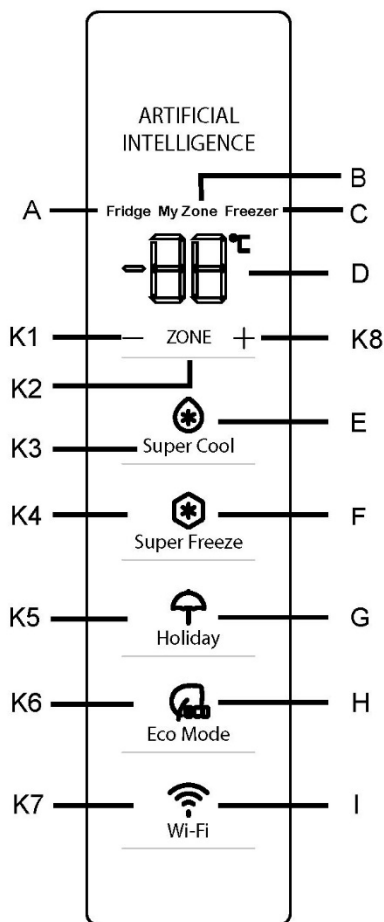
i AVVISO

A causa di modifiche tecniche e della varietà dei modelli, alcune illustrazioni riportate nel presente manuale possono essere diverse dall'aspetto reale del modello. (HDPW3618DN*)



- 1-Lampada a LED del frigorifero
- 2-Ripiano in vetro
- 3-Ripiano in vetro
- 4-Ripiano in vetro
- 5-Coperchio del cassetto My Zone
- 6-Cassetto My Zone
- 7-Cassetto superiore del congelatore
- 8-Cassetto centrale del congelatore
- 9-Cassetto inferiore del congelatore
- 10-Piedini regolabili
- 11-Vassoio sporgente dello sportello

Pannello di controllo



Spie:

- A Scomparto frigo
- B Vano congelatore (My Zone)
- C Comparto congelatore
- D Visualizzazione della temperatura
- E Funzione Super Cool
- F Funzione Super Freeze
- G Funzione Holiday
- H Funzione Eco Mode | Funzione Wi-Fi

Tasti:

- K1 Diminuzione della temperatura
- K2 Selezione Fridge, My Zone e Freezer
- K3 Attivazione/disattivazione della funzione Super Cool
- K4 Attivazione/disattivazione della funzione Super Freeze
- K5 Attivazione/disattivazione della funzione Holiday
- K6 Attivazione/disattivazione della funzione Eco Mode
- K7 Attivazione/disattivazione della funzione Wi-Fi
- K8 Aumento della temperatura

Operazioni preliminari al primo utilizzo

Rimuovere tutti i materiali di imballo, tenerli fuori dalla portata dei bambini e smaltirli nel rispetto dell'ambiente.

Pulire l'interno e l'esterno dell'elettrodomestico, nonché l'interno e gli accessori con acqua e un detergente delicato, quindi asciugarlo bene con un panno morbido.

Dopo l'installazione a livello e la pulizia dell'elettrodomestico, attendere almeno 2 ore prima di collegarlo all'alimentazione elettrica. Vedere la sezione **INSTALLAZIONE**.

Prima di caricare gli alimenti, preraffreddare i vani con impostazioni elevate.

La funzione Super Freeze serve a raffreddare rapidamente il comparto congelatore

Tasti a sensore

I tasti del pannello di controllo sono di tipo a sensore che rispondono toccandoli lievemente con un dito.

Accensione e spegnimento dell'elettrodomestico

L'elettrodomestico entra in funzione non appena viene collegato all'alimentazione elettrica.

Quando l'apparecchio viene acceso per la prima volta, gli indicatori di temperatura "D" mostrano i valori preimpostati (fare riferimento all'Avviso seguente).

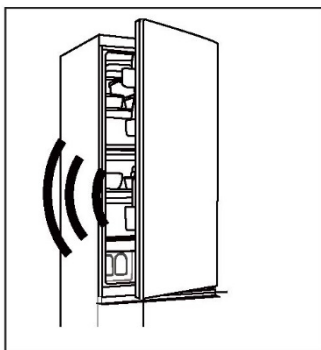
AVVISO

L'elettrodomestico è preimpostato alla temperatura consigliata di 5 °C (frigorifero) e -18 °C (congelatore). La temperatura di My Zone è preimpostata a circa 2°C. Queste impostazioni sono quelle consigliate. È possibile, tuttavia, cambiare manualmente queste temperature.

Allarme sportello aperto

Se lo sportello rimane aperto per oltre 3 minuti, il frigorifero emette un allarme acustico per segnalarlo.

L'allarme può essere tacitato chiudendo lo sportello. Se lo sportello rimane aperto per oltre 7 minuti, l'illuminazione interna del frigorifero e l'illuminazione del pannello di controllo si spengono automaticamente.



Regolazione della temperatura

Le temperature interne dipendono dai seguenti fattori:

- ▶ Temperatura ambiente
- ▶ Frequenza di apertura dello sportello
- ▶ Quantità di alimenti conservati
- ▶ Installazione dell'elettrodomestico



Regolazione della temperatura del frigorifero

1. Premere il tasto "K2" (selezione Fridge/ (My Zone)/ Freezer) per selezionare il comparto frigorifero. Le icone "A" (comparto frigorifero) e "D" (visualizzazione temperatura) sono accese.
2. Premere il tasto "K1/K8" per impostare la temperatura del frigorifero.

La temperatura aumenta in sequenze di 1 °C, da un minimo di 2 °C a un massimo di 8 °C. La temperatura ottimale del frigorifero è di 5 °C. Temperature più basse comportano un consumo di energia superfluo.

3. Dopo circa 5 secondi, l'icona della temperatura "D" (visualizzazione della temperatura) si illumina in modo permanente confermando l'impostazione.

Regolazione della temperatura del congelatore

1. Per selezionare il comparto congelatore, premere il pulsante "K2" (selezione Fridge/ (My Zone)/ Freezer); a questo punto le icone "C" (comparto congelatore) e "D" (visualizzazione temperatura) si accendono.
2. Premere il tasto "K1/K8" per impostare la temperatura del congelatore.

La temperatura aumenta in sequenze di 1°C, da un minimo di -24°C a un massimo di -16°C. La temperatura ottimale del frigorifero è -18°C. Temperature più fredde comportano un consumo di energia non necessario.

3. Dopo circa 5 secondi, l'indicatore della temperatura "D" (visualizzazione della temperatura) si illumina in modo permanente confermando l'impostazione.

Regolazione della temperatura del comparto My Zone

Il vano frigorifero è dotato di un cassetto My Zone. In base alle esigenze di conservazione degli alimenti, è possibile selezionare la temperatura più adatta per preservare i valori nutrizionali ottimali degli alimenti.

1. Premere il tasto "K2" (selezione Fridge/ (My Zone)/ Freezer) per selezionare il comparto My Zone. Le icone "B" (comparto My Zone) e "D" (Visualizzazione temperatura) sono accese.
2. Premere il tasto "K1/K8" per impostare la temperatura My Zone.

La temperatura aumenta in sequenze di 1°C, da un minimo di 0°C a un massimo di 5°C.

3. Dopo circa 5 secondi, l'icona della temperatura "D" (visualizzazione della temperatura) si illumina in modo permanente confermando l'impostazione.



i AVVISO

1. È possibile impostare la temperatura del comparto My Zone al livello medio (2 °C) per proteggere gli alimenti in un ambiente di conservazione ottimale.
2. A causa del diverso contenuto di acqua della carne, alcuni tipi di carne con umidità più elevata si congelano a temperature inferiori a 0 °C. Per tale motivo, la carne di fresco taglio deve essere conservata nel cassetto My Zone a una temperatura minima di 0 °C.
3. I formaggi, la frutta e gli ortaggi sensibili al freddo (ad es. ananas, avocado, banane, pompelmi; patate, melanzane, fagioli, cetrioli, zucchine e pomodori) non devono essere conservati nel cassetto My Zone
4. Se la temperatura del frigorifero è inferiore alla temperatura My Zone, è normale che la temperatura My Zone sia inferiore alla temperatura impostata My Zone
5. Se la temperatura ambiente è inferiore a 8 °C, la temperatura del cassetto My Zone sarà sempre vicina a 0 °C.

i AVVISO

Dopo aver impostato la temperatura, se vengono premuti altri tasti entro 5 secondi, l'impostazione della temperatura corrente verrà confermata immediatamente. Se non viene eseguita alcuna operazione con i tasti entro 5 secondi, viene visualizzata la temperatura impostata corrente finché lo schermo non si spegne.

i AVVISO

Dall'App è possibile personalizzare sia la temperatura del frigorifero, del congelatore e di My Zone. La temperatura può essere impostata con una sensibilità di 1 °C.

Funzione Super Cool

1. È preferibile attivare la funzione Super Cool se occorre conservare una quantità maggiore di alimenti (ad es. dopo l'acquisto). La funzione Super Cool accelera il raffreddamento degli alimenti freschi e protegge quelli già conservati da un riscaldamento indesiderato.
2. Premere il tasto "K3" o attivarlo dall'App, l'icona "E" (funzione Super Cool) si accende e la funzione è attivata.



AVVISO

1. L'elettrodomestico esce dalla "funzione Super Cool" dopo essere rimasto nella "funzione Super Cool" per 6 ore o dopo aver premuto il tasto "K3" quando l'icona "E" (funzione Super Cool) è accesa o spegnendolo dall'App.
2. Nello stato di Super Cool, se si regola la temperatura del comparto frigorifero, l'icona "E" (funzione Super Cool) lampeggia ad indicare che questa operazione non può essere effettuata.

Funzione Super Freeze

1. Gli alimenti freschi devono essere congelati prima possibile fino in profondità. In tal modo, si preservano il più possibile i valori nutrizionali, l'aspetto e il gusto. La funzione Super Freeze accelera il congelamento degli alimenti freschi e protegge quelli già conservati da un riscaldamento indesiderato. Se occorre congelare molti alimenti insieme, è preferibile impostare la funzione Super Freeze 24 ore prima.
2. Premere il tasto "K4" (impostazione funzione Super Freeze) o accenderlo dall'App, l'icona "F" (funzione Super Freeze) si accende e la funzione è attivata.

AVVISO

1. L'elettrodomestico esce dalla "funzione Super Freeze" dopo essere rimasto nella "funzione Super Freeze" per 50 ore o dopo aver premuto il tasto "K4" quando l'icona "F" (funzione Super Freeze) è accesa o spegnendolo dall'App.
2. Nello stato di Super Freeze, se si regola la temperatura del comparto congelatore, l'icona "F" (funzione Super Freeze) lampeggia ad indicare che questa operazione non può essere effettuata.

Funzione Holiday

La funzione Holiday può essere utilizzata per ridurre il consumo energetico dell'elettrodomestico quando non viene utilizzato regolarmente. Quando la funzione è attiva, il frigorifero è spento, mentre il congelatore continuerà a funzionare normalmente. La funzione imposta la temperatura del frigorifero in modo permanente a 17°C.

Consente di mantenere chiuso lo sportello del frigorifero vuoto senza che si sviluppino odori o muffe durante una lunga assenza (es. durante le vacanze). Il comparto congelatore è indipendente da questa impostazione.

1. Premere il tasto "K5" (funzione Holiday on/off) o selezionare la funzione dall'App, l'icona "G" (funzione Holiday) si illumina e la funzione è attivata.



2. La funzione può essere disattivata premendo nuovamente il tasto "K5" (funzione Holiday on/off) o impostando la temperatura del frigorifero oppure eseguendo una qualsiasi altra impostazione o infine spegnendola dall'App.

i AVVISO

1. Con la funzione Holiday attiva non conservare gli alimenti nel comparto frigorifero. La temperatura di 17 °C è eccessiva per la conservazione degli alimenti.
2. Quando la funzione Holiday è attiva, l'icona My Zone rimane spenta e la funzione frigorifero è bloccata. Se si regola la temperatura del comparto frigorifero, l'icona "G" (funzione Holiday) lampeggia a indicare che questa operazione non può essere effettuata.

Funzione Eco Mode

È possibile attivare la Eco Mode per ottimizzare le prestazioni dell'elettrodomestico, garantendo al tempo stesso la migliore conservazione degli alimenti. In assenza di esigenze particolari, è preferibile utilizzare la funzione Eco Mode.

In questa modalità la temperatura del frigorifero è di 5°C, la temperatura del congelatore è di -18°C.

1. Premere il tasto "K6" (funzionamento della Eco Mode on/off) o selezionare la funzione dall'App.
2. L'icona "H" (funzionamento della Eco Mode) è accesa e la funzione è attivata.

Ripetendo la procedura precedente o selezionando un'altra funzione oppure spegnendo dall'App, questa funzione può essere nuovamente disattivata. Vengono ripristinati i livelli di raffreddamento precedentemente impostati.

i AVVISO

Con la funzione Eco Mode, se si regola la temperatura dei comparti frigo/congelatore, l'icona "H" (funzione Eco Mode) lampeggia a indicare che questa operazione non può essere effettuata.

Passo 1 Scaricare l'applicazione hOn dagli store.

   	
<p>Passo 2 Creare un account nell'app hOn o accedere se esiste già un account.</p> 	<p>Passo 3 Per l'accoppiamento, seguire le istruzioni dell'app hOn.</p> 

Funzione Wi-Fi

1. Seguire le istruzioni dell'App per configurare la funzione Wi-Fi.
2. Una volta configurata la funzione Wi-Fi e stabilita la connessione, l'icona Wi-Fi "I" rimane sempre accesa.
3. Se il Wi-Fi è già stato configurato, una volta acceso si riconnette automaticamente in base ai dati di configurazione.

AVVISO

1. Per disattivare il Wi-Fi premere il tasto "K7"; in questo modo l'icona Wi-Fi "I" si spegne.
2. Per attivare il Wi-Fi e avviare la configurazione, premere il tasto "K7"; in questo modo l'icona Wi-Fi "I" inizia a lampeggiare lentamente. Se si desidera configurare la funzione Wi-Fi, tenere premuto il tasto "K7" per 3 secondi; in questo modo l'icona Wi-Fi lampeggia velocemente ed entra in modalità di configurazione. Se si desidera disattivare la funzione Wi-Fi, premere una volta il tasto "K7". I passaggi precedenti vengono ripetuti.
3. Se il prodotto è stato configurato e la funzione Wi-Fi è stata disattivata, il frigorifero non entra in modalità di configurazione dopo aver ricollegato l'alimentazione.



i AVVISO

1. Questo prodotto non è destinato all'uso commerciale.
2. Potenza massima di uscita RF: 2,4 GHz Wi-Fi: 16 dBm;
3. Bluetooth LE: 5 dBm; Bluetooth (BR/EDR): 10 dBm.
4. Banda di frequenza operativa: 2400-2483,5 MHz.

Conservazione nel vano frigorifero

- Mantenere nel frigorifero una temperatura inferiore a 5 °C.
- Lasciare raffreddare gli alimenti caldi fino a quando raggiungono la temperatura ambiente prima di conservarli nell'elettrodomestico.
- Lavare e asciugare gli alimenti prima di conservarli nel frigorifero.
- Per evitare alterazioni dell'odore o del sapore, sigillare adeguatamente gli alimenti da conservare.
- Non conservare alimenti in quantità eccessiva. Per un raffreddamento migliore e più omogeneo, lasciare spazio tra gli alimenti per consentire il passaggio dell'aria fredda.
- È preferibile conservare nella parte anteriore del ripiano gli alimenti consumati quotidianamente.
- Lasciare spazio tra gli alimenti e le pareti interne, per facilitare il passaggio dell'aria. In ogni caso, non riporre gli alimenti a contatto con la parete posteriore, perché potrebbero congelarsi. Evitare il contatto diretto degli alimenti (soprattutto cibi oleosi o acidi) con il rivestimento interno, poiché olio/acido possono erodere il rivestimento interno. Pulire immediatamente lo sporco oleoso o acido.
- Gli alimenti congelati possono essere scongelati gradualmente nello scomparto frigorifero. In questo modo si risparmia energia.
- Il processo di invecchiamento di frutta e verdura come zucchine, meloni, papaia, banane, ananas ecc. può essere accelerato nel frigorifero. Per tale motivo, è sconsigliabile conservare questi alimenti nel frigorifero. Un breve periodo di conservazione in frigorifero, tuttavia, può accelerare la maturazione di frutti molto acerbi. Conservare a temperatura ambiente anche cipolle, aglio, zenzero e altri tuberi.
- Eventuali odori sgradevoli all'interno del frigorifero indicano che qualcosa si è rovesciato ed è necessario pulire l'elettrodomestico. Vedere Cura e pulizia.
- È preferibile collocare alimenti diversi in aree diverse, a seconda delle loro proprietà.

Conservazione nel comparto congelatore

- Nel congelatore mantenere la temperatura di -18 °C.
- 24 ore prima del congelamento, attivare la funzione Super-Freeze. Per piccole quantità di cibo sono sufficienti 4-6 ore.



- Lasciare raffreddare gli alimenti caldi fino a quando raggiungono la temperatura ambiente prima di conservarli nel comparto congelatore.
- Gli alimenti tagliati in piccole porzioni si congelano e si scongelano più rapidamente. Il peso consigliato per ogni porzione è inferiore a 2,5 kg
- È preferibile confezionare gli alimenti prima di collocarli nel congelatore. Per evitare che i sacchetti si attacchino tra loro, la parte esterna della confezione deve essere asciutta. I materiali per il confezionamento devono essere inodori, ermetici, non velenosi e non tossici.
- Per evitare di superare la scadenza dei periodi di conservazione, annotare sulla confezione la data di congelamento, il limite di tempo e il nome dell'alimento in base ai periodi di conservazione dei vari alimenti.



AVVERTENZA!

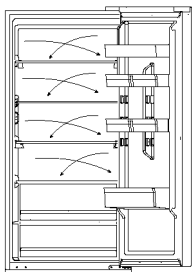
- ▶ Acidi, alcali, sale ecc. potrebbero corrodere la superficie interna del congelatore
- ▶ Non collocare alimenti con tali sostanze (ad es. pesce di mare) a contatto diretto con la superficie interna. Eliminare immediatamente l'acqua salata dal congelatore.
- ▶ Non superare i tempi di conservazione degli alimenti consigliati dai produttori. Estrarre dal congelatore solo la quantità di alimenti necessaria.
- ▶ Consumare rapidamente gli alimenti scongelati. Gli alimenti scongelati non possono essere ricongelati, a meno che non vengano cotti.
- ▶ Non caricare troppi alimenti freschi nel comparto congelatore. Fare riferimento alla capacità di congelamento del congelatore - Vedere DATI TECNICI o controllare i dati sulla targhetta.
- ▶ Gli alimenti possono essere conservati nel congelatore a una temperatura di almeno -18 °C per 2-12 mesi, a seconda delle loro proprietà (ad es. carne): 3-12 mesi, verdure: 6-12 mesi)
- ▶ Quando si congelano alimenti freschi, evitare che entrino a contatto con alimenti già congelati. In caso contrario, potrebbero scongelarsi.

Quando si conservano alimenti surgelati, attenersi alle linee guida indicate di seguito:

- Per il tempo di conservazione degli alimenti, attenersi sempre alle linee guida dei produttori. Non ignorare queste linee guida!
- Ridurre il più possibile il tempo tra l'acquisto e la conservazione per preservare la qualità degli alimenti.
- Acquistare alimenti congelati conservati a una temperatura di -18°C o inferiore.
- Evitare di acquistare alimenti con ghiaccio o brina sulla confezione, in quanto potrebbero essere stati parzialmente scongelati e ricongelati; l'aumento della temperatura riduce la qualità degli alimenti.

i AVVISO

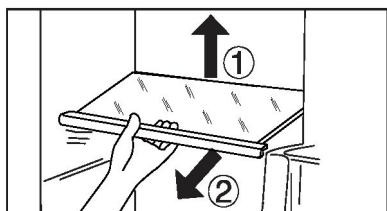
A causa dei diversi modelli, il prodotto potrebbe non essere dotato di tutte le caratteristiche riportate di seguito. Fare riferimento al capitolo relativo alla descrizione del prodotto.



Flusso d'aria multiplo

Il frigorifero è dotato di un sistema con flusso d'aria multiplo, grazie al quale flussi di aria fresca investono tutti i ripiani. Ciò facilita il mantenimento di una temperatura uniforme per garantire la freschezza degli alimenti per un periodo maggiore.

Scaffale regolabile



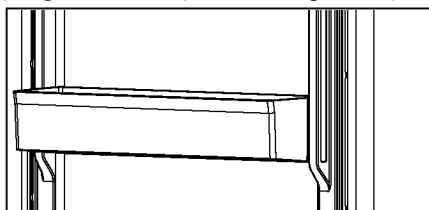
1. L'altezza dei ripiani può essere regolata in base alle esigenze.
2. Per spostare un ripiano, rimuoverlo sollevandone il bordo posteriore ① ed estrarlo ②.
3. Per reinstallarlo, collocarlo sulle alette su entrambi i lati e spingerlo dentro fino in fondo in modo che la parte posteriore del ripiano sia fissata all'interno delle feritoie laterali

i AVVISO

Accertarsi che tutte le estremità del ripiano siano a livello.

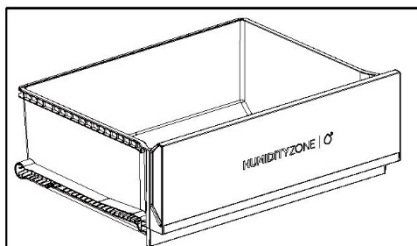
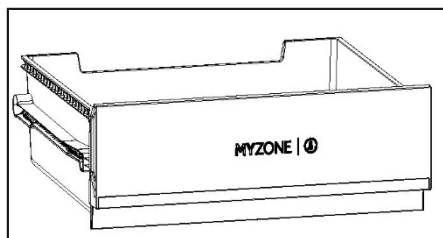
Vassoio sporgente dello sportello rimovibile

Il vassoio sporgente dello sportello porta può essere rimosso per la pulizia: Tenere con le mani entrambi i lati del vassoio sporgente, sollevarlo (1) ed estrarlo (2). Per inserire il vassoio sporgente dello sportello, seguire la procedura inversa



Cassetto My Zone

Per l'utilizzo e l'impostazione del comparto My Zone, consultare la sezione UTILIZZO (My Zone).



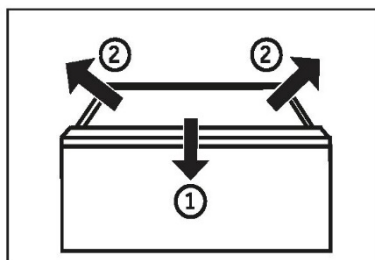
Cassetto Humidity Zone

In questo comparto il livello di umidità viene controllato automaticamente dal sistema ed è adatto alla conservazione di frutta, verdura, insalata ecc.

Cassetto rimovibile

Per rimuovere il cassetto dal comparto frigorifero o congelatore, estrarlo al massimo (1), sollevarlo e toglierlo (2).

Per inserire il cassetto, seguire la procedura inversa.



Cassetto del congelatore

Il cassetto del congelatore può essere estratto orizzontalmente in modo completo. È montato su guida telescopica easy roll, in modo da poter conservare e rimuovere comodamente i prodotti congelati. Grazie al meccanismo di chiusura automatica dello sportello, i cassetti del congelatore sono facili da utilizzare e permettono di risparmiare energia.



AVVERTENZA!

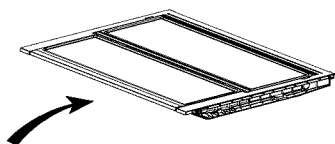
Non sovraccaricare i cassetti: Carico massimo per ciascun cassetto: 35 kg

Illuminazione

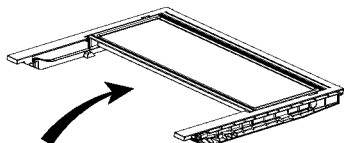
La luce interna a LED si accende quando si apre lo sportello. Le prestazioni delle luci non dipendono da altre impostazioni dell'elettrodomestico.

Ripiano pieghevole

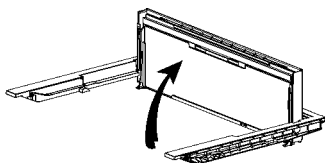
Il ripiano pieghevole consente all'utente di posizionare bottiglie o oggetti alti sugli scaffali. Il ripiano può essere ripiegato sul retro; lo spazio disponibile del ripiano inferiore sarà maggiore. Il ripiano può essere ripiegato seguendo i passaggi 1~3. Se si desidera tornare alla posizione originale, invertire le seguenti procedure.



Passo 1: spingere lentamente la parte anteriore dello scaffale fino in fondo.



Passo 2: spingere lentamente il ripiano verso l'alto fino alla sua posizione verticale.



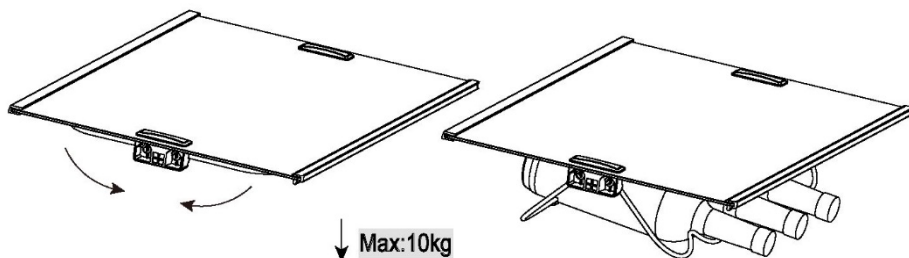
Passo 3: il ripiano è verticale. Consente di risparmiare spazio.

Portavini pieghevole

Uso normale

1. Abbassare le staffe del portavini
2. Sistemare le bottiglie nella rastrelliera

Quando non viene utilizzato, il portavini può essere ripiegato per risparmiare spazio.





Suggerimenti per il risparmio energetico

- ▶ Accertarsi che l'elettrodomestico sia adeguatamente ventilato (v. INSTALLAZIONE).
- ▶ Non installare l'elettrodomestico esposto alla luce diretta del sole o in prossimità di fonti di calore (ad es. stufe o radiatori).
- ▶ Evitare che la temperatura dell'elettrodomestico sia inutilmente bassa. Il consumo energetico aumenta con la diminuzione della temperatura impostata nell'elettrodomestico.
- ▶ Funzioni come SUPER FREEZE consumano più energia.
- ▶ Attendere che gli alimenti caldi si raffreddino prima di collocarli nell'elettrodomestico.
- ▶ Aprire lo sportello dell'elettrodomestico senza spalancarlo e per il più breve tempo possibile.
- ▶ Per evitare ostruzioni del flusso d'aria, non riempire eccessivamente l'elettrodomestico.
- ▶ Evitare l'ingresso di aria nelle confezioni di alimenti.
- ▶ Mantenere pulite le guarnizioni dello sportello in modo che si chiuda sempre perfettamente.
- ▶ Scongelare i cibi congelati nel comparto frigorifero oppure usare la funzione D-Frost nel cassetto My Zone.
- ▶ Per ottimizzare il risparmio energetico, collocare nell'elettrodomestico i cassetti, i contenitori degli alimenti e i ripiani, e riporre gli alimenti senza ostruire l'uscita dell'aria del condotto.



AVVERTENZA:

Prima di effettuare la pulizia, staccare la spina di alimentazione dell'elettrodomestico.

Pulizia

Pulire l'elettrodomestico quando è vuoto o contiene pochi alimenti.

Per una corretta manutenzione e per evitare cattivi odori degli alimenti conservati, pulire l'elettrodomestico ogni quattro settimane.



AVVERTENZA!

- ▶ Non pulire l'elettrodomestico con spazzole rigide, spazzole metalliche, detersivi in polvere, benzina, acetato di pentile, acetone e soluzioni organiche simili, soluzioni acide o alcaline. Per evitare danni, effettuare la pulizia con un detergente speciale per frigoriferi.
- ▶ Non spruzzare o schizzare liquidi sull'elettrodomestico durante la pulizia.
- ▶ Per pulire questo elettrodomestico non utilizzare apparecchi a vapore.
- ▶ Non pulire i ripiani di vetro freddi con acqua calda. Un'improvvisa variazione della temperatura può causare la rottura del vetro.
- ▶ Non toccare la superficie interna del comparto congelatore, soprattutto con le mani bagnate, poiché le mani potrebbero congelarsi sulla superficie.
- ▶ Se la temperatura aumenta, controllare lo stato degli alimenti congelati.



- ▶ Tenere sempre pulita la guarnizione dello sportello.
- ▶ Pulire l'interno e l'alloggiamento dell'elettrodomestico con una spugna imbevuta di acqua calda e detergente neutro.
- ▶ 1. Strofinare l'interno e l'esterno del frigorifero (compresi la guarnizione dello sportello, il cassetto incassato nello sportello, i ripiani di vetro, i comparti ecc.) con un panno morbido o una spugna imbevuta di acqua calda (è possibile aggiungere un detergente neutro).
- ▶ 2. In presenza di liquidi versati, rimuovere tutte le parti contaminate, sciacquarle sotto l'acqua corrente, asciugarle e ricollocarle nel frigorifero.
- ▶ 3. In caso di versamenti di alimenti cremosi (ad es. panna o gelato sciolto), rimuovere tutte le parti contaminate, lasciarle un po' di tempo in acqua calda a circa 40 °C, poi sciacquarle sotto l'acqua corrente, asciugarle e ricollocarle nel frigorifero.
- ▶ 4. Nel caso in cui rimangano intrappolati piccoli oggetti all'interno del frigorifero (tra i ripiani o i cassette), toglierli con una spazzolina morbida. Se non si riesce a raggiungere l'oggetto, rivolgersi all'assistenza Haier



- ▶ Sciacquare e asciugare con un panno morbido.
- ▶ Non lavare i componenti dell'elettrodomestico in lavastoviglie.
- ▶ Attendere almeno 5 minuti prima di riavviare l'elettrodomestico, poiché un avvio frequente può danneggiare il compressore.

Sbrinamento

Lo sbrinamento del frigorifero e del comparto congelatore avviene automaticamente; non è necessaria alcuna operazione manuale.

Sostituzione delle lampade a LED



AVVERTENZA!

La lampada a LED deve essere sostituita solo dal produttore o da un tecnico dell'assistenza autorizzato.

La lampada utilizza una sorgente luminosa a LED che riduce i consumi energetici e garantisce una lunga durata. In caso di anomalie, rivolgersi all'assistenza clienti. V. ASSISTENZA CLIENTI.

Parametri delle lampade:

Parte	Lampada a LED
Tensione	12 V
Potenza massima	1,5 W
Specifiche LED	Bianco-2835
Classe di efficienza LED	G
Temperatura di utilizzo	-40~80°C

HDPW7620*, HTW7620*

Parte	Lampada a LED
Tensione	12 V
Potenza massima	8W
Specifiche LED	Bianco - 4014
Classe di efficienza LED	G
Temperatura di utilizzo	-30~60 °C

Inutilizzo per lunghi periodi

Se l'elettrodomestico non verrà adoperato per lunghi periodi e non verrà utilizzata la funzione Holiday per il frigorifero:

Estrarre gli alimenti.

Scollegare il cavo di alimentazione.

Pulire l'elettrodomestico come descritto in precedenza.

Lasciare aperti gli sportelli per evitare la produzione di cattivi odori all'interno.



AVVISO

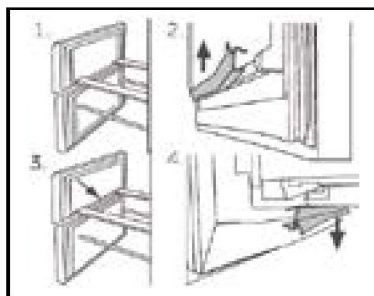
Spegnere l'elettrodomestico solo se è strettamente necessario.

Guarnizioni ausiliarie dello sportello rimovibili

Vi sono sei guarnizioni ausiliarie dello sportello sui cassetti superiore e inferiore del congelatore.

1. Individuare le cinque guarnizioni dello sportello indicate sui cassetti superiore e inferiore del congelatore.
2. Assicurarsi che le fette piegate delle guarnizioni siano rivolte verso l'interno durante il fissaggio.
3. Individuare la guarnizione inferiore del cassetto superiore come indicato.
4. Assicurarsi che la fetta piegata di questa guarnizione sia rivolta verso il basso durante il fissaggio.

È possibile procurarsi queste guarnizioni e le guarnizioni dello sportello/cassetto girevole tramite il servizio clienti (v. scheda della garanzia).



Spostamento dell'elettrodomestico

1. Togliere tutti gli alimenti e staccare la spina dell'elettrodomestico.
2. Fissare con nastro adesivo i ripiani e gli altri componenti mobili presenti nel frigorifero e nel congelatore.
3. Non inclinare il frigorifero oltre 45°, altrimenti il sistema di refrigerazione potrebbe danneggiarsi.



AVVERTENZA!

- ▶ Non sollevare l'elettrodomestico tenendolo per le maniglie dello sportello.
- ▶ Non collocare mai l'elettrodomestico orizzontalmente a terra.

Molti problemi possono essere risolti personalmente senza particolari competenze. In caso di problemi, consultare tutte le soluzioni possibili indicate e attenersi alle seguenti istruzioni prima di contattare l'assistenza post-vendita. V. ASSISTENZA CLIENTI.



AVVERTENZA!

- ▶ Prima di effettuare la manutenzione, spegnere l'elettrodomestico e staccare la spina dalla presa di corrente.
- ▶ La manutenzione delle apparecchiature elettriche deve essere effettuata solo da elettricisti qualificati, dal momento che eventuali riparazioni improprie possono causare danni notevoli.
- ▶ Se il cavo di alimentazione è danneggiato, deve essere sostituito unicamente dal produttore, da un tecnico dell'assistenza o da una persona con analogha qualifica per evitare rischi.

Tabella per la risoluzione dei problemi

Problema	Causa possibile	Soluzione possibile
Il compressore non funziona.	La spina non è collegata alla presa di corrente.	Collegare la spina alla presa di corrente.
	L'elettrodomestico sta effettuando il ciclo di sbrinamento.	Ciò è normale per lo sbrinamento automatico.
L'elettrodomestico si aziona frequentemente o per un periodo di tempo troppo lungo.	La temperatura interna o esterna è troppo elevata.	In questo caso è normale che l'elettrodomestico rimanga in funzione più a lungo.
	L'elettrodomestico è rimasto spento per un certo periodo di tempo.	Il raffreddamento completo dell'elettrodomestico normalmente richiede 8-12 ore.
	Uno sportello o un cassetto dell'elettrodomestico non è chiuso bene.	Chiudere lo sportello o il cassetto e accertarsi che l'elettrodomestico sia a livello e che gli alimenti o i contenitori non urtino lo sportello.
	Lo sportello o il cassetto è stato aperto troppo spesso o troppo a lungo.	Non aprire lo sportello o il cassetto troppo spesso.
	L'impostazione della temperatura del comparto congelatore è troppo bassa.	Scegliere un'impostazione della temperatura più alta fino a quando la temperatura del frigorifero è soddisfacente. Per stabilizzare la temperatura del frigorifero occorrono 24 ore.
	Le guarnizioni dello sportello o del cassetto sono sporche, usurate, danneggiate o inadeguate.	Pulire la guarnizione dello sportello o del cassetto o farla sostituire dall'assistenza clienti.
	Non è garantita la circolazione dell'aria necessaria.	Garantire un'adeguata ventilazione.



Problema	Causa possibile	Soluzione possibile
L'interno del frigorifero è sporco e/o si sentono cattivi odori.	L'interno del frigorifero deve essere pulito.	Pulire la parte interna del frigorifero.
	In frigorifero vengono conservati alimenti che producono un odore intenso.	Avvolgere completamente gli alimenti.
La temperatura nell'elettrodomestico non è sufficientemente bassa.	La temperatura impostata è troppo alta.	Reimpostare la temperatura
	Sono stati conservati cibi troppo caldi.	Gli alimenti devono essere sempre raffreddati prima di conservarli.
	Sono stati collocati troppi alimenti contemporaneamente.	Non conservare troppi alimenti.
	Gli alimenti sono troppo vicini tra loro.	Lasciare spazio tra i vari alimenti per consentire il passaggio del flusso d'aria.
	Uno sportello o un cassetto dell'elettrodomestico non è chiuso bene.	Chiudere lo sportello o il cassetto.
	Lo sportello o il cassetto è stato aperto troppo spesso o troppo a lungo.	Non aprire lo sportello o il cassetto troppo spesso.
La temperatura nell'elettrodomestico è troppo bassa.	La temperatura impostata è troppo bassa.	Reimpostare la temperatura.
	La funzione Super Freeze rimane in funzione troppo a lungo.	Disattivare la funzione Super Freeze.
Formazione di umidità all'interno del comparto frigorifero.	Il clima è troppo caldo e troppo umido.	Aumentare la temperatura.
	Uno sportello o un cassetto dell'elettrodomestico non è chiuso bene.	Chiudere lo sportello o il cassetto.
	Lo sportello o il cassetto è stato aperto troppo spesso o troppo a lungo.	Non aprire lo sportello o il cassetto troppo spesso.
	Contenitori per alimenti o liquidi rimasti aperti.	Lasciare raffreddare gli alimenti caldi a temperatura ambiente e coprire cibi e liquidi.
Accumulo di umidità sulla superficie esterna del frigorifero o tra gli sportelli e il cassetto.	Il clima è troppo caldo e troppo umido.	Ciò è normale in un clima umido; la situazione cambia quando l'umidità diminuisce.
	Lo sportello o il cassetto non è chiuso perfettamente.	Accertarsi che lo sportello o il cassetto sia chiuso bene.
Le icone sul display lampeggiano in successione e il sistema di raffreddamento non funziona.	È in modalità demo	Il frigorifero è collegato all'alimentazione Tenere premuto il pulsante "ZONE" e fare clic cinque volte sul pulsante "Eco Mode"; le icone smetteranno di lampeggiare alternativamente.



Problema	Causa possibile	Soluzione possibile
Presenza di molto ghiaccio e brina nel comparto congelatore.	Gli alimenti non sono stati confezionati adeguatamente.	Confezionare sempre gli alimenti.
	Uno sportello o un cassetto dell'elettrodomestico non è chiuso bene.	Chiudere lo sportello o il cassetto.
	Lo sportello o il cassetto è stato aperto troppo spesso o troppo a lungo.	Non aprire lo sportello o il cassetto troppo spesso.
	Le guarnizioni dello sportello o del cassetto sono sporche, usurate, danneggiate o inadeguate.	Pulire la guarnizione dello sportello o del cassetto oppure sostituirla.
	Qualcosa all'interno impedisce la chiusura corretta dello sportello o del cassetto.	Risistemare i ripiani, i cassetti incassati nello sportello o i contenitori interni per consentire la chiusura dello sportello o del cassetto.
L'elettrodomestico emette suoni anomali.	L'elettrodomestico non è a livello.	Regolare i piedini per collocare l'elettrodomestico a livello.
	L'elettrodomestico urta qualche oggetto vicino.	Rimuovere gli oggetti attorno all'elettrodomestico.
Si sente un lieve rumore, simile a quello dell'acqua che scorre.	È normale.	/
Viene emesso un allarme acustico.	Lo sportello del vano frigorifero è aperto.	Chiudere lo sportello o tacitare manualmente l'allarme.
Viene emesso un lieve sibilo.	È in funzione il sistema anticondensa.	Ciò evita la formazione di condensa ed è normale.
L'illuminazione interna o il sistema di raffreddamento non funziona.	La spina non è collegata alla presa di corrente	Collegare la spina alla presa di corrente.
	Problema della fonte di alimentazione.	Controllare l'alimentazione elettrica. Chiamare l'azienda elettrica locale.
	La lampada a LED è fuori uso.	Chiamare l'assistenza per la sostituzione.
I lati del vano e la striscia dello sportello si riscaldano.	È normale.	/
Non esce acqua dal beccuccio erogatore	Il blocco non è disattivato.	Disattivare il blocco



Interruzione della corrente

- ▶ In caso di interruzione della corrente, gli alimenti dovrebbero rimanere freddi in maniera sicura per circa 13 ore. Durante un'interruzione prolungata della corrente, soprattutto in estate, attenersi ai suggerimenti che seguono.
- ▶ Limitare al massimo l'apertura dello sportello o del cassetto.
- ▶ In caso di interruzione della corrente, non collocare altri alimenti nell'elettrodomestico.
- ▶ Se viene fornito un preavviso di interruzione della corrente di durata superiore a 13 ore, produrre dei cubetti di ghiaccio e collocarli in un contenitore nello scaffale superiore del comparto frigorifero.
- ▶ Dopo l'interruzione della corrente, è indispensabile controllare immediatamente gli alimenti.
- ▶ Siccome la temperatura nel frigorifero aumenta durante un'interruzione della corrente o in caso di altri guasti, il periodo di conservazione e la commestibilità degli alimenti si riducono. Per evitare rischi per la salute, gli alimenti che si scongelano devono essere immediatamente consumati oppure cotti e ricongelati (se possibile).



AVVISO

Funzione di memoria durante un'interruzione di corrente

Al ripristino della corrente, l'elettrodomestico riprende il funzionamento in base alle impostazioni precedenti.

Per rivolgersi all'assistenza tecnica, visitare il nostro sito web:

<https://corporate.haier-europe.com/en/>

Nella sezione "sito Web", scegliere la marca del proprio prodotto e il proprio paese.

Si aprirà il sito Web specifico contenente il numero di telefono e altre modalità per contattare l'assistenza tecnica.

Disimballo



AVVERTENZA:

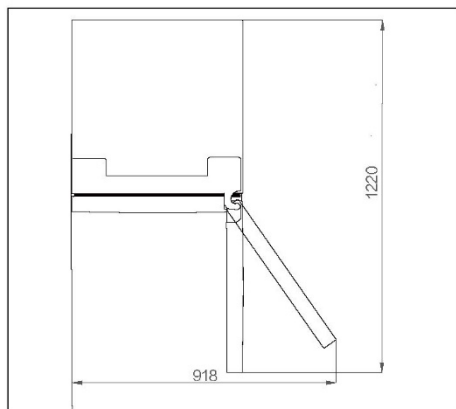
- ▶ L'elettrodomestico è pesante. Per spostarlo occorrono almeno due persone.
- ▶ Tenere fuori dalla portata dei bambini tutti i materiali di imballaggio e smaltirli nel rispetto dell'ambiente.
- ▶ Estrarre l'elettrodomestico dall'imballo.
- ▶ Togliere tutti i materiali di imballo.

Condizioni ambientali

La temperatura ambiente deve essere sempre compresa tra 10 e 43 °C, poiché può influire sulla temperatura interna dell'elettrodomestico e sui consumi energetici. Non installare l'elettrodomestico vicino ad altri elettrodomestici che emettono calore (forni, frigoriferi) senza isolamento.

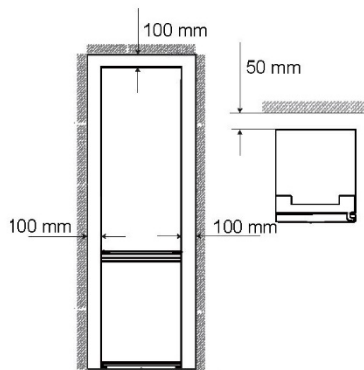
Spazio necessario

Spazio minimo quando lo sportello è aperto.



Sezione di ventilazione

Per ottenere una ventilazione sufficiente dell'elettrodomestico per motivi di sicurezza, attenersi alle indicazioni sulle sezioni di ventilazione.

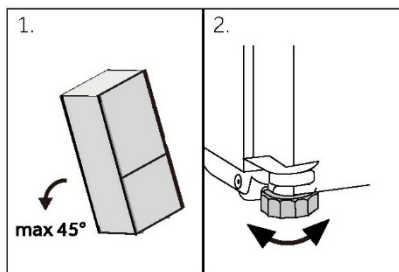


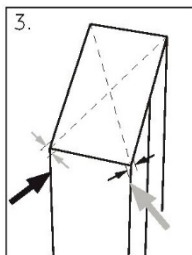
Allineamento dell'elettrodomestico

Installare l'elettrodomestico su una superficie solida e piana.

1. Inclinare leggermente il frigorifero all'indietro.
2. Regolare i piedini all'altezza desiderata.

Accertarsi che la distanza dalla parete lato cerniera sia almeno 100 mm affinché lo sportello possa aprirsi correttamente.

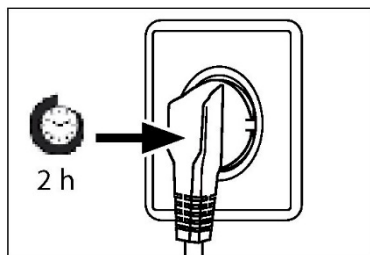




1. La stabilità può essere verificata spingendo diagonalmente l'elettrodomestico a destra e a sinistra. Il lieve ondeggiamento deve essere identico in entrambe le direzioni. In caso contrario, il telaio potrebbe deformarsi e le guarnizioni dello sportello potrebbero perdere. Una lieve inclinazione posteriore facilita la chiusura degli sportelli.

i AVVISO

Per gli elettrodomestici a libera installazione: questo elettrodomestico non è progettato per l'installazione a incasso



Tempo di attesa

L'olio di lubrificazione esente da manutenzione si trova nella capsula del compressore. Questo olio può percorrere il sistema di tubazioni chiuse durante il trasporto. Prima di collegare l'elettrodomestico all'alimentazione elettrica, attendere almeno 2 ore in modo che l'olio torni nella capsula.

Collegamento elettrico

Prima di ogni collegamento, effettuare i seguenti controlli:

- ▶ La fonte di alimentazione, la presa e i fusibili sono conformi ai dati indicati nella targhetta.
- ▶ La presa di corrente è collegata a terra e non sono utilizzate prese multiple o prolunghe.
- ▶ La spina e la presa di corrente sono compatibili.

Collegare la spina a una presa domestica installata correttamente.

! AVVERTENZA!

Per evitare rischi, i cavi di alimentazione danneggiati devono essere sostituiti dall'assistenza clienti (v. scheda di garanzia).



Reversibilità dello sportello

Prima di collegare l'elettrodomestico all'alimentazione elettrica, controllare se l'apertura dello sportello deve essere invertita da destra (come consegnato) verso sinistra per facilitare l'uso.



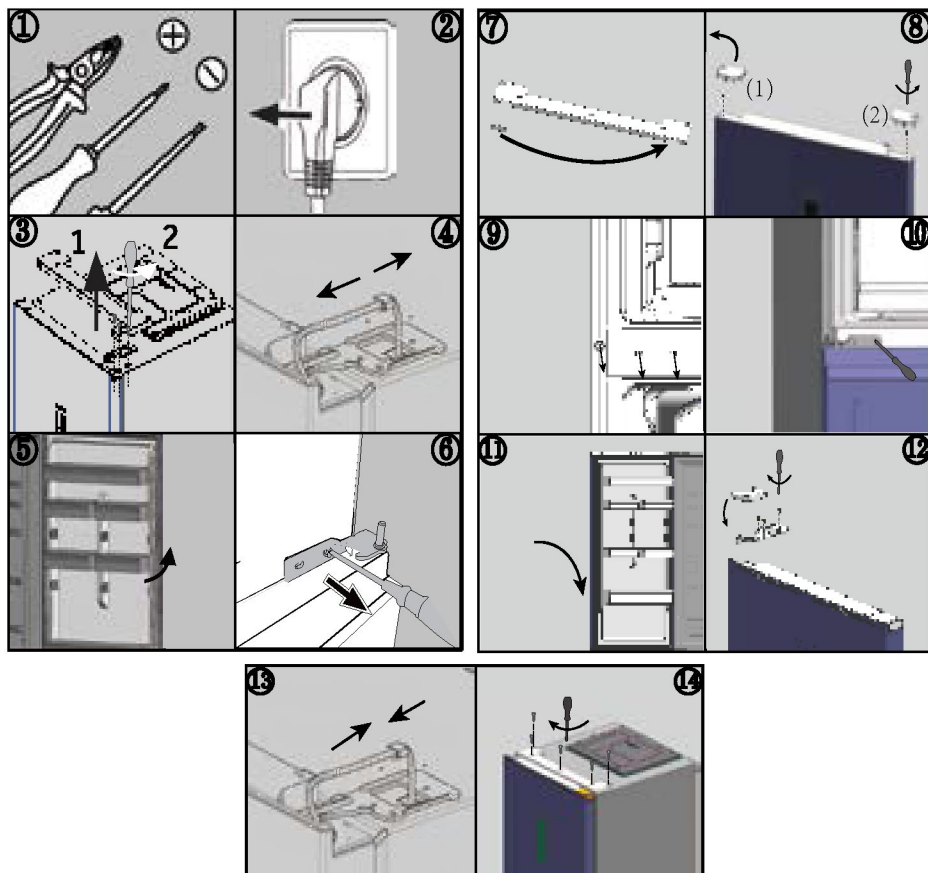
AVVERTENZA!

- ▶ L'elettrodomestico è pesante. Per invertire lo sportello occorrono due persone.
- ▶ Prima di qualunque operazione, scollegare l'elettrodomestico dalla rete elettrica
- ▶ Non inclinare l'elettrodomestico oltre 45° C per evitare danni al sistema di refrigerazione.

Fasi di montaggio

1. Procurarsi gli utensili necessari.
2. Staccare la spina dell'elettrodomestico.
3. Rimuovere il coperchio della cerniera superiore 1 e svitare la cerniera superiore (tre viti) sul lato destro 2.
4. Staccare il cavo di collegamento
5. Sollevare con cautela lo sportello del frigorifero dalla cerniera centrale.
6. Rimuovere la cerniera centrale.
7. Rimuovere il piccolo coperchio del pannello frontale da sinistra a destra.
8. Capovolgere lo sportello e svitare il coperchio (1). Estrarre il nuovo coperchio (2) dal sacchetto degli accessori e avvitare sul lato opposto.
9. Modificare le posizioni dei tappi ciechi e della vite laterale.
10. Avvitare la cerniera centrale sul lato sinistro dell'elettrodomestico. Fare attenzione ad invertire il perno della cerniera centrale, assicurandosi che il lato con la guarnizione sia rivolto verso l'alto
11. Sollevare con cautela lo sportello superiore sulla cerniera centrale. Assicurarsi che il perno si inserisca nel cilindro della cerniera dello sportello inferiore.
12. Estrarre la nuova cerniera superiore e il relativo coperchio dal sacchetto degli accessori. Far passare il cavo di collegamento attraverso la cerniera superiore e fissare quest'ultima con le tre viti sul lato sinistro dell'elettrodomestico. Posizionare il coperchio della cerniera sopra la cerniera.
13. Inserire il cavo di collegamento.
14. Sostituire il pannello frontale e fissarlo con cinque viti.

Dopo la sostituzione dello sportello, verificare che le relative guarnizioni siano posizionate correttamente sull'alloggiamento e che tutte le viti siano ben serrate.



Temperature ambiente

Temperata estesa: questo elettrodomestico è destinato all'uso con temperature ambiente comprese tra 10 °C e 32 °C;

Temperata: questo elettrodomestico è destinato all'uso con temperature ambiente comprese tra 16 °C e 32 °C;

Subtropicale: questo elettrodomestico è destinato all'uso con temperature ambiente comprese tra 16 °C e 38 °C;

Tropicale: questo elettrodomestico è destinato all'uso con temperature ambiente comprese tra 16 °C e 43 °C.

Parametri del prodotto secondo il regolamento (UE)2019/2016

Sulla base dei risultati di test standard per 24 ore. Il consumo energetico effettivo dipende dalla modalità di utilizzo dell'elettrodomestico e dalla sua collocazione

Modello	HTW5618DN*	HTW5620DN*	HTW5618EN*
Tipo di apparecchio di refrigerazione	Frigorifero-congelatore	Frigorifero-congelatore	Frigorifero-congelatore
Classe di efficienza energetica	D	D	E
Consumo energetico annuo (kWh/anno)	217	226	271
Volume comparto frigorifero (litri)	201	255	201
Volume comparto congelatore (litri)	125	125	125
Volume comparto di refrigerazione (litri)	34	34	34
Classe di congelamento	4 stelle	4 stelle	4 stelle
Tipo di scongelamento	Scongelamento automatico	Scongelamento automatico	Scongelamento automatico
Tempo di aumento della temperatura (h)	13	13	11
Capacità di congelamento (kg/24 h)	10,0	10,0	10,0
Classe climatica	SN.N.ST.T	SN.N.ST.T	SN.N.ST.T
Classe di emissione di rumore ed emissioni acustiche aeree (dB(A) re 1pW)	B(35)	B(35)	B(35)



Modello	HTW5618CN*	HTW5620CN*	HTW5620EN*
Tipo di apparecchio di refrigerazione	Frigorifero-congelatore	Frigorifero-congelatore	Frigorifero-congelatore
Classe di efficienza energetica	C	C	E
Consumo energetico annuo (kWh/anno)	173	181	283
Volume comparto frigorifero (litri)	201	255	255
Volume comparto congelatore (litri)	125	125	125
Volume comparto di refrigerazione (litri)	34	34	34
Classe di congelamento	4 stelle	4 stelle	4 stelle
Tipo di scongelamento	Scongelamento automatico	Scongelamento automatico	Scongelamento automatico
Tempo di aumento della temperatura (h)	13	13	11
Capacità di congelamento (kg/24 h)	10,0	10,0	10,0
Classe climatica	SN.N.ST.T	SN.N.ST.T	SN.N.ST.T
Classe di emissione di rumore ed emissioni acustiche aeree (dB(A) re 1pW)	B(35)	B(35)	B(35)



Modello	HDPW5618DN*	HDPW5620DN* HDPW3620DN*	HTW7620CN*
Tipo di apparecchio di refrigerazione	Frigorifero-congelatore	Frigorifero-congelatore	Frigorifero-congelatore
Classe di efficienza energetica	D	D	C
Consumo energetico annuo (kWh/anno)	214	220	181
Volume comparto frigorifero (litri)	201	255	255
Volume comparto congelatore (litri)	117	117	125
Volume comparto di refrigerazione (litri)	34	34	34
Classe di congelamento	4 stelle	4 stelle	4 stelle
Tipo di scongelamento	Scongelamento automatico	Scongelamento automatico	Scongelamento automatico
Tempo di aumento della temperatura (h)	13	13	13
Capacità di congelamento (kg/24 h)	10,0	10,0	10,0
Classe climatica	SN.N.ST.T	SN.N.ST.T	SN.N.ST.T
Classe di emissione di rumore ed emissioni acustiche aeree (dB(A) re 1pW)	B(35)	B(35)	B(35)



Modello	HDPW3618DN*	HDPW3620CN*	HTW3620DN*
Tipo di apparecchio di refrigerazione	Frigorifero-congelatore	Frigorifero-congelatore	Frigorifero-congelatore
Classe di efficienza energetica	D	C	D
Consumo energetico annuo (kWh/anno)	214	176	226
Volume comparto frigorifero (litri)	201	255	255
Volume comparto congelatore (litri)	117	117	125
Volume comparto di refrigerazione (litri)	34	34	34
Classe di congelamento	4 stelle	4 stelle	4 stelle
Tipo di scongelamento	Scongelamento automatico	Scongelamento automatico	Scongelamento automatico
Tempo di aumento della temperatura (h)	13	13	13
Capacità di congelamento (kg/24 h)	10,0	10,0	10,0
Classe climatica	SN.N.ST.T	SN.N.ST.T	SN.N.ST.T
Classe di emissione di rumore ed emissioni acustiche aeree (dB(A) re 1pW)	B(35)	B(35)	B(35)



Modello	HDPW5618CN*	HDPW5620CN*	HDPW5620AN* HDPW7620AN*
Tipo di apparecchio di refrigerazione	Frigorifero-congelatore	Frigorifero-congelatore	Frigorifero-congelatore
Classe di efficienza energetica	C	C	A
Consumo energetico annuo (kWh/anno)	171	176	114
Volume comparto frigorifero (litri)	201	255	255
Volume comparto congelatore (litri)	117	117	120
Volume comparto di refrigerazione (litri)	34	34	34
Classe di congelamento	4 stelle	4 stelle	4 stelle
Tipo di scongelamento	Scongelamento automatico	Scongelamento automatico	Scongelamento automatico
Tempo di aumento della temperatura (h)	13	13	16
Capacità di congelamento (kg/24 h)	10,0	10,0	10,0
Classe climatica	SN.N.ST.T	SN.N.ST.T	SN.N.ST.T
Classe di emissione di rumore ed emissioni acustiche aeree (dB(A) re 1pW)	B(35)	B(35)	B(35)



Modello	HDPW5620BN*	HTW7620DN*	HDPW7620AAN*
Tipo di apparecchio di refrigerazione	Frigorifero-congelatore	Frigorifero-congelatore	Frigorifero-congelatore
Classe di efficienza energetica	B	D	A
Consumo energetico annuo (kWh/anno)	142	226	92
Volume comparto frigorifero (litri)	255	255	255
Volume comparto congelatore (litri)	120	125	120
Volume comparto di refrigerazione (litri)	34	34	34
Classe di congelamento	4 stelle	4 stelle	4 stelle
Tipo di scongelamento	Scongelamento automatico	Scongelamento automatico	Scongelamento automatico
Tempo di aumento della temperatura (h)	13	13	16
Capacità di congelamento (kg/24 h)	10,0	10,0	12,0
Classe climatica	SN.N.ST.T	SN.N.ST.T	SN.N.ST.T
Classe di emissione di rumore ed emissioni acustiche aeree (dB(A) re 1pW)	B(35)	B(35)	B(35)



Modello	HTW5618DW*		
Tipo di apparecchio di refrigerazione	Frigorifero-congelatore		
Classe di efficienza energetica	D		
Consumo energetico annuo (kWh/anno)	216		
Volume comparto frigorifero (litri)	198		
Volume comparto congelatore (litri)	125		
Volume comparto di refrigerazione (litri)	34		
Classe di congelamento	4 stelle		
Tipo di scongelamento	Scongelamento automatico		
Tempo di aumento della temperatura (h)	13		
Capacità di congelamento (kg/24 h)	10,0		
Classe climatica	SN.N.ST.T		
Classe di emissione di rumore ed emissioni acustiche aeree (dB(A) re 1pW)	B(35)		



Dati tecnici supplementari

Modello	HTW5618DN*	HTW5618EN*	HTW5620DN*
Volume totale (litri)	360	360	414
Tensione/Frequenza	220-240V/50Hz	220-240V/50Hz	220-240V/50Hz
Corrente di ingresso (A)	1.4	1.4	1.4
Fusibile principale (A)	16	16	16
Refrigerante	R600a(53g)	R600a(53g)	R600a(53g)
Dimensioni (L/P/A in mm)	595*667*1850	595*667*1850	595*667*2050

Modello	HTW5618CN*	HTW5620CN*	HTW5620EN*
Volume totale (litri)	360	414	414
Tensione/Frequenza	220-240V/50Hz	220-240V/50Hz	220-240V/50Hz
Corrente di ingresso (A)	1.4	1.4	1.4
Fusibile principale (A)	15	15	16
Refrigerante	R600a(50g)	R600a(50g)	R600a(53g)
Dimensioni (L/P/A in mm)	595*667*1850	595*667*2050	595*667*2050



Modello	HDPW5618DN*	HDPW5620DN*	HDPW3620DN*
Volume totale (litri)	352	406	406
Tensione/Frequenza	220-240V/50Hz	220-240V/50Hz	220-240V/50Hz
Corrente di ingresso (A)	1.4	1.4	1.4
Fusibile principale (A)	16	16	16
Refrigerante	R600a(53g)	R600a(53g)	R600a(53g)
Dimensioni (L/P/A in mm)	595*667*1850	595*667*2050	595*667*2050

Modello	HDPW5618CN*	HDPW5620CN*	HDPW5620AN*
Volume totale (litri)	352	406	409
Tensione/Frequenza	220-240V/50Hz	220-240V/50Hz	220-240V/50Hz
Corrente di ingresso (A)	1.4	1.4	1.4
Fusibile principale (A)	15	15	16
Refrigerante	R600a(50g)	R600a(50g)	R600a(50g)
Dimensioni (L/P/A in mm)	595*667*1850	595*667*2050	595*667*2050



Dati tecnici supplementari

Modello	HDPW3618DN*	HDPW3620CN*	HTW3620DN*
Volume totale (litri)	352	406	414
Tensione/Frequenza	220-240V/50Hz	220-240V/50Hz	220-240V/50Hz
Corrente di ingresso (A)	1.4	1.4	1.4
Fusibile principale (A)	16	15	16
Refrigerante	R600a(53g)	R600a(50g)	R600a(53g)
Dimensioni (L/P/A in mm)	595*667*1850	595*667*2050	595*667*2050

Modello	HDPW7620AAN*	HDPW5620BN*	HDPW7620AN*
Volume totale (litri)	409	409	409
Tensione/Frequenza	220-240V/50Hz	220-240V/50Hz	220-240V/50Hz
Corrente di ingresso (A)	1.4	1.4	1.4
Fusibile principale (A)	16	16	16
Refrigerante	R600a(55g)	R600a(50g)	R600a(50g)
Dimensioni (L/P/A in mm)	595*667*2050	595*667*2050	595*667*2050

**Dati tecnici supplementari**

Modello	HTW7620DN*	HTW7620CN*	HTW5618DW*
Volume totale (litri)	414	414	357
Tensione/Frequenza	220~240V/50Hz	220~240V/50Hz	220~240V/50Hz
Corrente di ingresso (A)	1.4	1.4	1.4
Fusibile principale (A)	16	15	16
Refrigerante	R600a(53g)	R600a(50g)	R600a(53g)
Dimensioni (L/P/A in mm)	595*667*2050	595*667*2050	595*667*1850



Si consiglia di rivolgersi all'Assistenza Clienti Haier e di utilizzare ricambi originali. In caso di problemi con l'elettrodomestico, consultare prima la sezione SOLUZIONE DEI PROBLEMI.

Se non si riesce a trovare una soluzione, contattare

- ▶ il rivenditore locale o
- ▶ lo European Call Service-Center (vedere i numeri di telefono elencati di seguito) o
- ▶ l'area Service & Support su www.haier.com dove è possibile chiedere assistenza e trovare risposte a domande frequenti.

Per contattare l'assistenza, procurarsi i dati seguenti. Le informazioni si trovano sulla targhetta.

Modello _____

N. di serie _____

Controllare anche la scheda di garanzia fornita con il prodotto.

European Call Service-Center		
Paese*	Numero di telefono	Costi
Haier Italy (IT)	199 100 912	
Haier Spain (ES)	902 509 123	
Haier Germany (DE)	0180 5 39 39 99	<ul style="list-style-type: none"> • 14 cent/min su linea fissa • max 42 cent/min su linea mobile
Haier Austria (AT)	0820 001 205	<ul style="list-style-type: none"> • 14,53 cent/min su linea fissa • max 20 cent/min su altre linee
Haier United Kingdom (UK)	0333 003 8122	
Haier France (FR)	0980 406 409	



* Per altri paesi fare riferimento al sito www.haier.com

Haier Europe Trading S.r.l
Filiale Regno Unito
Westgate House, Westgate, Ealing
London, W5 1YY

*Durata della garanzia dell'elettrodomestico:

Garanzia minima: 2 anni per i paesi UE, 3 anni per la Turchia, 1 anno per il Regno Unito, 1 anno per la Russia, 3 anni per la Svezia, 2 anni per la Serbia, 5 anni per la Norvegia, 1 anno per il Marocco, 6 mesi per l'Algeria; per la Tunisia non è obbligatoria alcuna garanzia legale.


*Periodo di disponibilità dei pezzi di ricambio per la riparazione dell'elettrodomestico:

termostati, sensori di temperatura, circuiti stampati e lampade rimangono disponibili per almeno sette anni dopo l'immissione sul mercato dell'ultima unità del modello.

Maniglie e cerniere degli sportelli, vassoi e cestelli rimangono disponibili per almeno di sette anni e le guarnizioni degli sportelli per almeno dieci anni dopo l'immissione sul mercato dell'ultima unità del modello.

*Per ulteriori informazioni sul prodotto, consultare <https://eprel.ec.europa.eu/> o effettuare una scansione del codice QR apposto sull'etichetta fornita con l'elettrodomestico.

<u>5 Veiligheidsinformatie</u>	<u>Voor het eerste gebruik</u>	6
	<u>Installatie</u>	6
	<u>Dagelijks gebruik</u>	7
<u>10 Beoogd gebruik</u>		
<u>11 Productbeschrijving</u>		
<u>22 Bedieningspaneel</u>		
<u>23 Gebruik</u>	<u>De koelkasttemperatuur aanpassen</u>	24
	<u>De vriezertemperatuur aanpassen</u>	24
	<u>De temperatuur voor My Zone aanpassen</u>	24
	<u>Super Cool-functie</u>	25
	<u>Super Freeze-functie</u>	26
<u>31 Apparatuur</u>		
<u>35 Tips voor energiebesparing</u>		
<u>36 Onderhoud en reiniging</u>		
<u>39 Problemen oplossen</u>		
<u>43 Installatie</u>		
<u>47 Technische gegevens</u>		
<u>58 Klantenservice</u>		

 Klik op de inhoud om de gedetailleerde informatie te bekijken.



Bedankt voor de aankoop van dit Haier-product.

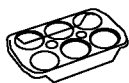
Lees deze instructies zorgvuldig door voordat u dit apparaat gebruikt. De instructies bevatten belangrijke informatie die u helpt het beste uit het apparaat te halen en veilige en correcte installatie, gebruik en onderhoud te waarborgen.

Bewaar deze handleiding op een handige plaats zodat u hem altijd kunt raadplegen voor een veilig en correct gebruik van het apparaat.

Als u het apparaat verkoopt, weggeeft of achterlaat wanneer u verhuist, zorg er dan voor dat u deze handleiding ook overdraagt, zodat de nieuwe eigenaar het apparaat en de veiligheidswaarschuwingen kan leren kennen.

Accessoires

Controleer de accessoires en literatuur in overeenstemming met deze lijst:



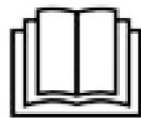
Eierrekje



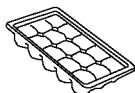
Energietabel



Garantiekaart



Gebruikers-
handleiding



Ijsblokjesbakje



Deurscharnieren



Scharnier-
afdekking



Dop

**WAARSCHUWING – Belangrijke veiligheidsinformatie****LET OP – Algemene informatie en tips****Milieu-informatie****Verwijdering**

Help het milieu en de menselijke gezondheid te beschermen. Doe de verpakking in de daarvoor bestemde containers om deze te recyclen. Help het afval van elektrische en elektronische apparaten te recyclen. Gooi apparaten met dit symbool niet weg bij het huisvuil. Lever het product in bij uw plaatselijke recyclingfaciliteit of neem contact op met uw gemeentekantoor.

**WAARSCHUWING!**

Gevaar voor letsel of verstikking!

Koelmiddelen en gassen moeten professioneel worden verwijderd. Controleer of de leidingen van het koelmiddelcircuit niet zijn beschadigd voordat ze op de juiste manier worden afgevoerd. Koppel het apparaat los van de stroomvoorziening. Knip het netsnoer af en gooi het weg. Verwijder de bakken en laden en de deurvergrendeling en -afdichtingen, om te voorkomen dat kinderen en huisdieren in het apparaat worden opgesloten.



Lees voordat u het apparaat voor het eerst inschakelt de volgende veiligheidstips:



WAARSCHUWING!

Voor het eerste gebruik

- ▶ Controleer of er geen transportschade is.
- ▶ Verwijder alle verpakkingsmaterialen en houd ze buiten het bereik van kinderen.
- ▶ Wacht ten minste twee uur voordat u het apparaat installeert, om er zeker van te zijn dat het koelmiddelcircuit volledig werkt.
- ▶ Verplaats het apparaat altijd met ten minste twee personen, het is namelijk zwaar.

Installatie

- ▶ Het apparaat moet op een goed geventileerde plaats worden geplaatst. Zorg voor een ruimte van ten minste 10 cm boven en rond het apparaat.
- ▶ Plaats het apparaat nooit in een vochtige ruimte of op een plaats waar het met water kan worden bespat. Reinig en droog waterspatten en vlekken met een zachte, schone doek.
- ▶ Installeer het apparaat niet in direct zonlicht of in de buurt van warmtebronnen (bijv. kachels, verwarmingstoestellen).
- ▶ Installeer het apparaat waterpas op een plaats die geschikt is voor de grootte en het gebruik ervan.
- ▶ Zorg ervoor dat de ventilatieopeningen in het apparaat of in de ingebouwde constructie open blijven.
- ▶ Controleer of de elektrische informatie op het typeplaatje overeenkomt met de stroomvoorziening. Als dat niet het geval is, neem dan contact op met een elektricien.
- ▶ Het apparaat wordt gebruikt met een voeding van 220–240 VAC/50 Hz. Abnormale spanningsschommelingen kunnen ertoe leiden dat het apparaat niet start of dat de temperatuurregeling of de compressor beschadigd raakt of dat er tijdens het gebruik een abnormaal geluid optreedt. In dat geval moet er een automatische regelaar worden gemonteerd.
- ▶ Gebruik geen stekkerdozen en verlengkabels.
- ▶ Plaats niet meerdere draagbare stopcontacten of draagbare voedingen op de achterkant van het apparaat.
- ▶ Zorg ervoor dat de stroomkabel niet bekneld zit door de koelkast. Ga niet op de stroomkabel staan.



WAARSCHUWING!

- ▶ Gebruik een apart geaard stopcontact voor de stroomvoorziening, dat gemakkelijk toegankelijk is. Het apparaat moet geaard zijn.
Alleen voor het Verenigd Koninkrijk: Het netsnoer van het apparaat is voorzien van een 3-aderige (geaarde) stekker die past op een standaard 3-aderig (geaard) stopcontact. De derde pin (aarding) mag nooit worden afgesneden of gedemonteerd. Nadat het apparaat is geïnstalleerd, moet de stekker bereikbaar zijn.
- ▶ Beschadig het koelcircuit niet.

Dagelijks gebruik

- ▶ Dit apparaat mag worden gebruikt door kinderen vanaf 8 jaar en door personen met verminderde lichamelijke, zintuiglijke of geestelijke vermogens of met een gebrek aan kennis en ervaring, mits zij onder toezicht worden gehouden of instructies hebben gekregen om het apparaat veilig te kunnen gebruiken en de gevaren begrijpen die ermee gepaard gaan.
- ▶ Kinderen van 3 tot 8 jaar mogen wel inladen en uitladen, maar mogen koelapparatuur niet reinigen of installeren.
- ▶ Houd kinderen onder de 3 jaar uit de buurt van het apparaat, tenzij ze voortdurend onder toezicht staan.
- ▶ Kinderen mogen niet met het apparaat spelen.
- ▶ Als er koelgas of ander brandbaar gas in de buurt van het apparaat lekt, moet u het ventiel van het lekkende gas sluiten, de deuren en ramen openen en mag u de stekker van de koelkast of een ander apparaat niet uit het stopcontact halen of in een stopcontact steken.
- ▶ Let op, het apparaat is ingesteld om te werken bij een specifiek omgevings-temperatuurbereik van 10 tot 43°C. Het apparaat kan gedurende lange tijd bij een temperatuur boven of onder het aangegeven bereik niet goed werken.
- ▶ Plaats geen onstabiele voorwerpen (zware voorwerpen, containers gevuld met water) boven op de koelkast, om persoonlijk letsel door vallen of elektrische schokken door contact met water te voorkomen.
- ▶ Trek niet aan de deurschappen. De deur kan scheefgetrokken worden, het flessenrek kan eruit worden getrokken, of het apparaat kan omvallen.
- ▶ Open en sluit de deuren alleen met de handgrepen. De ruimte tussen de deuren en tussen de deuren en de kast is zeer smal. Steek uw handen niet in deze ruimtes, om te voorkomen dat uw vingers bekneld raken. Open of sluit de koelkastdeuren alleen als er geen kinderen zijn die zich binnen het bewegingsbereik van de deur bevinden.



WAARSCHUWING!

- ▶ Bewaar of gebruik in het apparaat of in de buurt ervan geen brandbare, explosieve of corrosieve materialen.
- ▶ Bewaar geen geneesmiddelen, bacteriën of chemische middelen in het apparaat. Dit is een huishoudelijk apparaat. Het wordt niet aanbevolen om materialen op te slaan die strikte temperaturen vereisen.
- ▶ Bewaar vloeistoffen in flessen of blikjes (met uitzondering van sterke drank), met name koolzuurhoudende dranken, nooit in de vriezer, omdat deze tijdens het invriezen barsten.
- ▶ Controleer de staat van het voedsel als er sprake van opwarming is geweest in de vriezer.
- ▶ Stel de temperatuur in het koelkastgedeelte niet onnodig laag in. Bij een hoge instelling kunnen temperaturen onder nul optreden. Let op: Flessen kunnen barsten
- ▶ Raak geen bevroren producten aan met natte handen (draag handschoenen). Eet vooral ijsjes niet onmiddellijk na verwijdering uit het vriezergedeelte op. Er bestaat het risico op bevroering of vriesblaren. Eerste hulp: houd onmiddellijk onder de koude kraan. Niet lostrekken!
- ▶ Raak het binnenoppervlak van het vriezergedeelte niet aan wanneer het in werking is, vooral niet met natte handen, omdat uw handen aan het oppervlak vast kunnen vriezen.
- ▶ Haal de stekker van het apparaat uit het stopcontact wanneer er een stroomonderbreking optreedt of voordat u het schoonmaakt. Laat het apparaat minstens 7 minuten rusten voordat u het opnieuw opstart, omdat vaak starten de compressor kan beschadigen.
- ▶ Gebruik geen elektrische toestellen in de bewaarruimten voor levensmiddelen van het apparaat, tenzij deze van het type zijn dat door de fabrikant wordt aanbevolen. Onderhoud/reiniging
- ▶ Zorg ervoor dat kinderen onder toezicht staan als ze schoonmaak en onderhoud uitvoeren.
- ▶ Haal de stekker van het apparaat uit het stopcontact voordat u routine-onderhoud uitvoert. Laat het apparaat minstens 5 minuten rusten voordat u het opnieuw opstart, omdat vaak starten de compressor kan beschadigen.

**WAARSCHUWING!**

- ▶ Houd de stekker vast, niet het snoer, wanneer u de stekker uit het stopcontact haalt.
- ▶ Reinig het apparaat niet met harde borstels, draadborstels, waspoeder, benzine, amylicetaat, aceton en soortgelijke organische oplossingen, zure of alkalische oplossingen. Reinig het apparaat met een speciaal reinigingsmiddel voor koelkasten om schade te voorkomen.
- ▶ Schraap vorst en ijs niet af met scherpe voorwerpen. Gebruik geen sprays, elektrische verwarmingstoestellen zoals haardrogers, stoomreinigers of andere warmtebronnen om schade aan de kunststof onderdelen te voorkomen.
- ▶ Gebruik geen mechanische apparaten of andere middelen om het ontdoeien te versnellen, behalve als deze door de fabrikant worden aanbevolen.
- ▶ Als het netsnoer beschadigd is, moet het worden vervangen door de fabrikant, diens servicevertegenwoordiger of vergelijkbaar gekwalificeerde personen om gevaar te voorkomen.
- ▶ Probeer het apparaat niet zelf te repareren, te demonteren of te wijzigen. In geval van reparatie kunt u contact opnemen met onze klantenservice.
- ▶ Verwijder het stof aan de achterkant van het toestel ten minste eenmaal per jaar om brandgevaar en een verhoogd energieverbruik te voorkomen.
- ▶ Spuit niet op het apparaat en spoel het niet af tijdens het reinigen.
- ▶ Gebruik geen waterstraal of stoom om het apparaat schoon te maken.
- ▶ Reinig de koude glazen planken niet met heet water. Door plotselinge temperatuurveranderingen kan het glas breken.

Informatie over koelgas**WAARSCHUWING!**

Het apparaat bevat het brandbare koelmiddel ISOBUTAAN (R600a). Controleer of het koelcircuit tijdens transport of installatie niet is beschadigd. Lekkend koelmiddel kan oogletsel veroorzaken of ontbranden. Als er schade is opgetreden, weghouden van open vuurbronnen, de kamer grondig ventileren, de stekker van het apparaat of enig ander apparaat niet in het stopcontact steken of eruit halen. Informeer de klantenservice.

Als de ogen in contact komen met het koelmiddel, spoel het dan onmiddellijk onder stromend water af en bel onmiddellijk de oogspecialist.



Beoogd gebruik

Dit apparaat is bedoeld voor het koelen en invriezen van voedsel. Het is uitsluitend ontworpen voor gebruik in huishoudelijke en soortgelijke toepassingen, zoals personeelskeukens in winkels, kantoren en andere werkomgevingen; op boerderijen en door gasten in hotels, motels en andere woonomgevingen, maar ook in bed and breakfasts en bij cateringbedrijven. Het is niet bedoeld voor commercieel of industrieel gebruik.

Wijzigingen of aanpassingen aan het apparaat zijn niet toegestaan.
Onbedoeld gebruik kan risico's en verlies van garantieclaims veroorzaken.

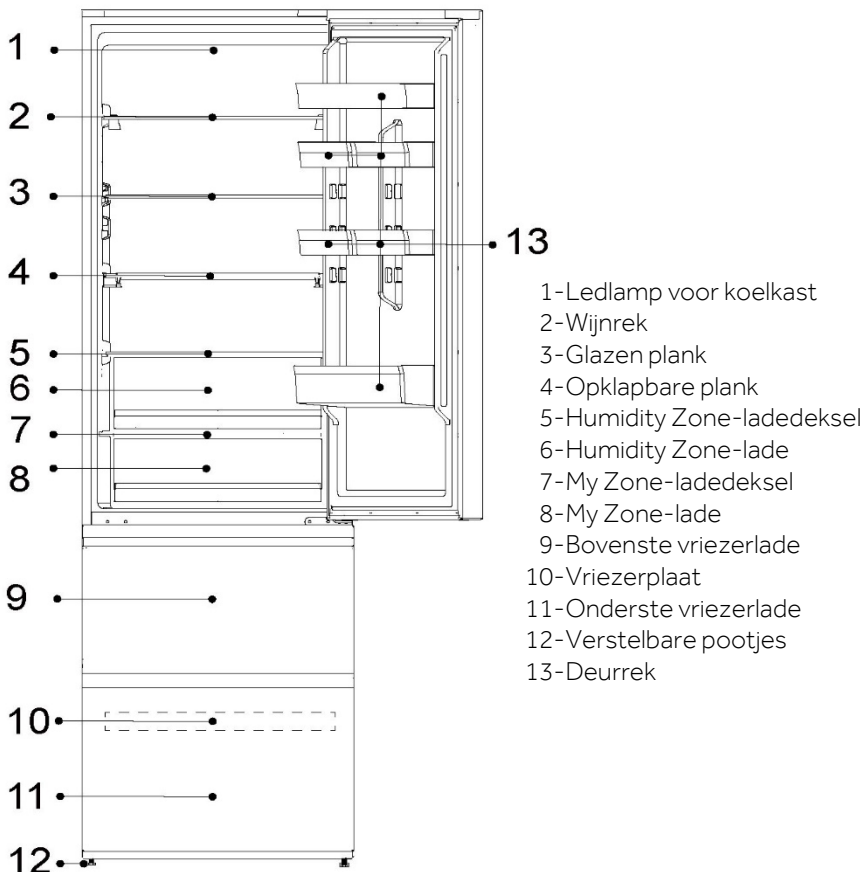
Normen en richtlijnen **CE**

Dit product voldoet aan de eisen van alle toepasselijke EG-richtlijnen met de bijbehorende geharmoniseerde normen die voorzien in een CE-markering.

i OPMERKING

Door technische wijzigingen en verschillende modellen kunnen sommige afbeeldingen in deze handleiding afwijken van uw model.

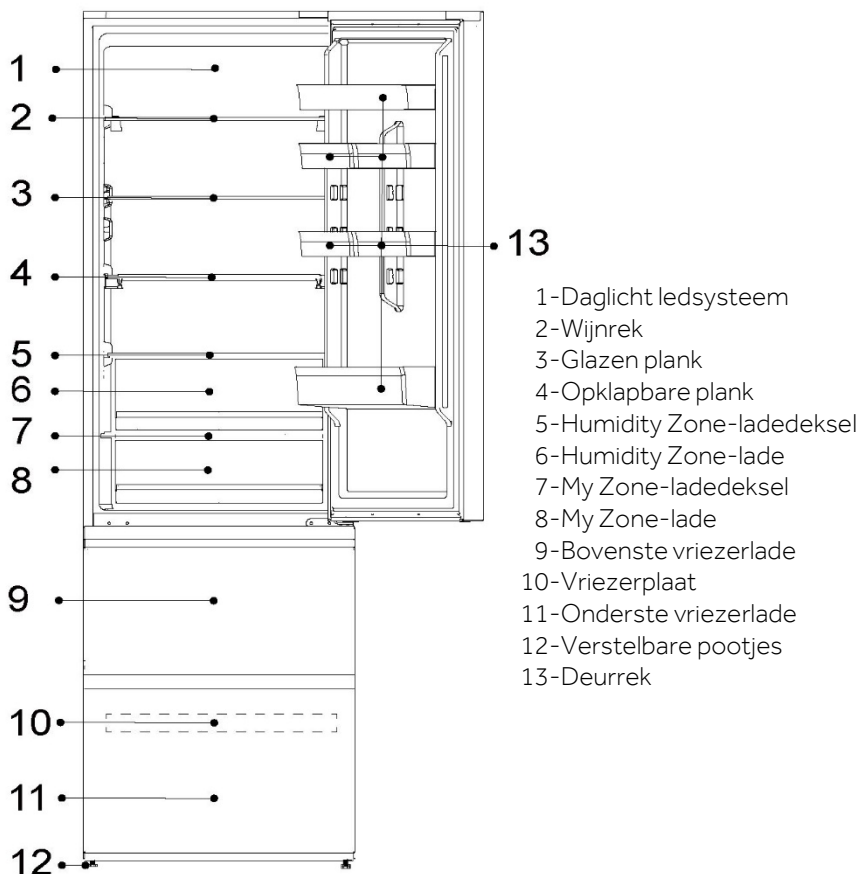
(HTW5620DN*, HTW5620CN*, HTW5620EN*)



i LET OP

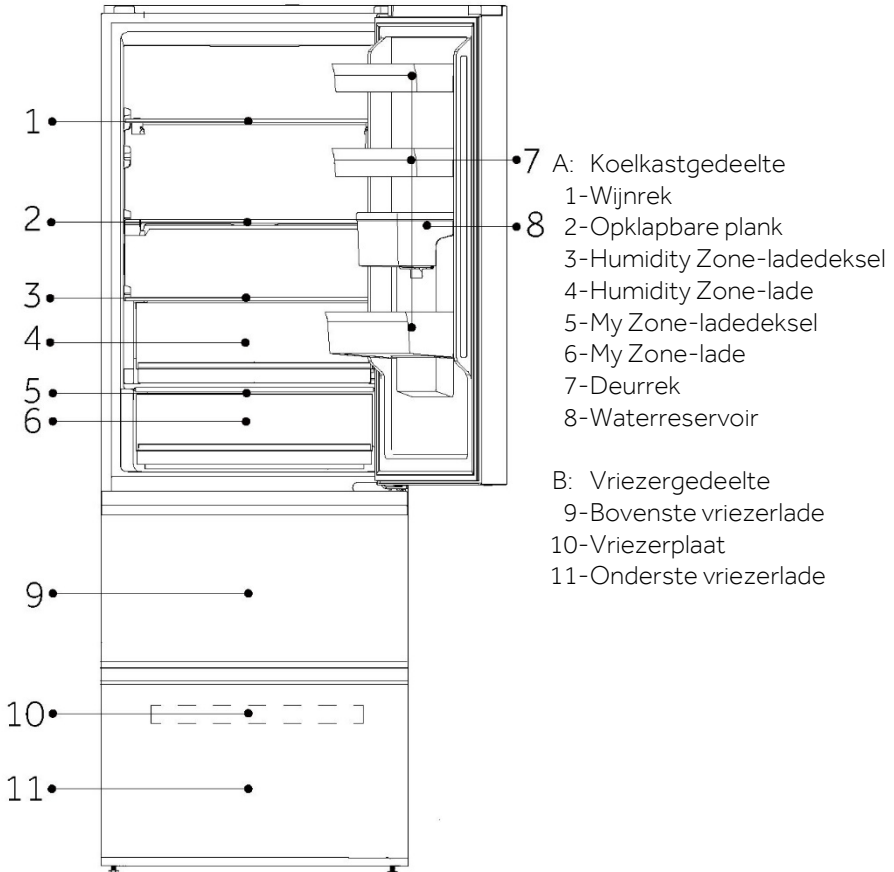
Door technische wijzigingen en verschillende modellen kunnen sommige afbeeldingen in deze handleiding afwijken van uw model.

(HTW7620AN*, HTW7620CN*, HTW7620DN*)



i LET OP

Door technische wijzigingen en verschillende modellen kunnen sommige afbeeldingen in deze handleiding afwijken van uw model.
(HTW5618DW*)



A: Koelkastgedeelte

- 1-Wijnrek
- 2-Opklapbare plank
- 3-Humidity Zone-ladedeksel
- 4-Humidity Zone-lade
- 5-My Zone-ladedeksel
- 6-My Zone-lade
- 7-Deurrek
- 8-Waterreservoir

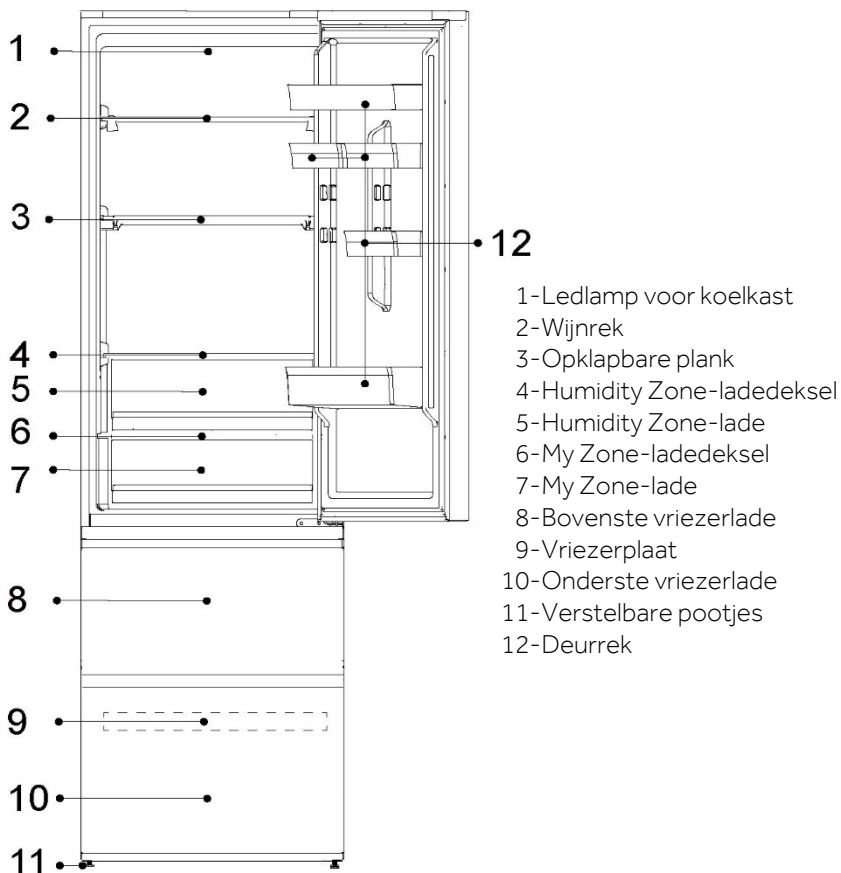
B: Vriezergedeelte

- 9-Bovenste vriezerlade
- 10-Vriezerplaat
- 11-Onderste vriezerlade

i LET OP

Door technische wijzigingen en verschillende modellen kunnen sommige afbeeldingen in deze handleiding afwijken van uw model.

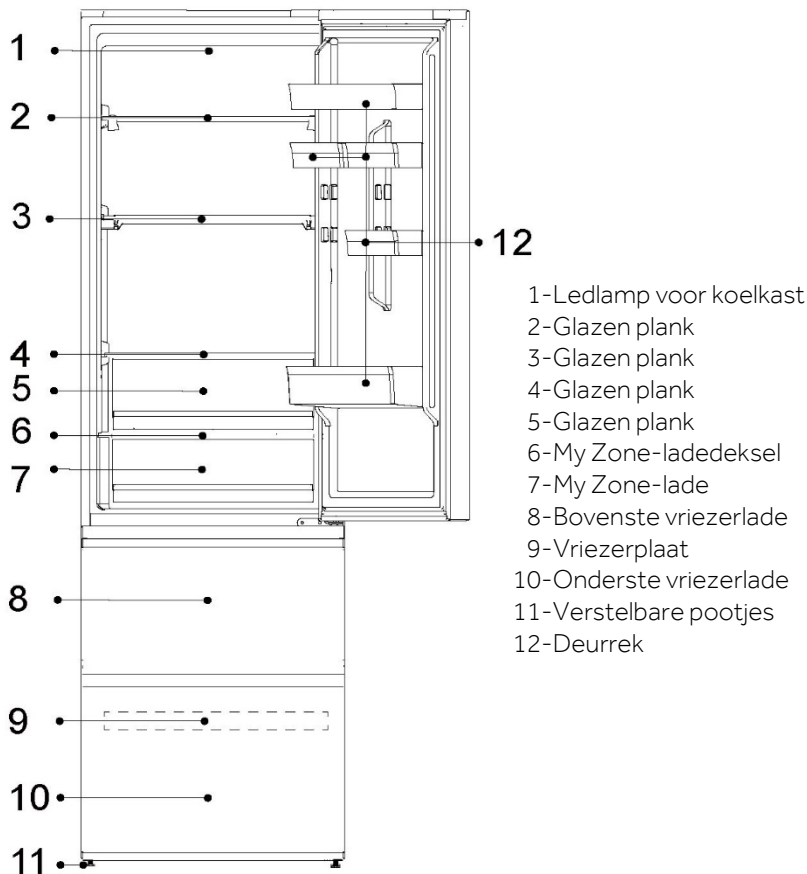
(HTW5618DN*, HTW5618CN*, HTW5618EN*)



i LET OP

Door technische wijzigingen en verschillende modellen kunnen sommige afbeeldingen in deze handleiding afwijken van uw model.

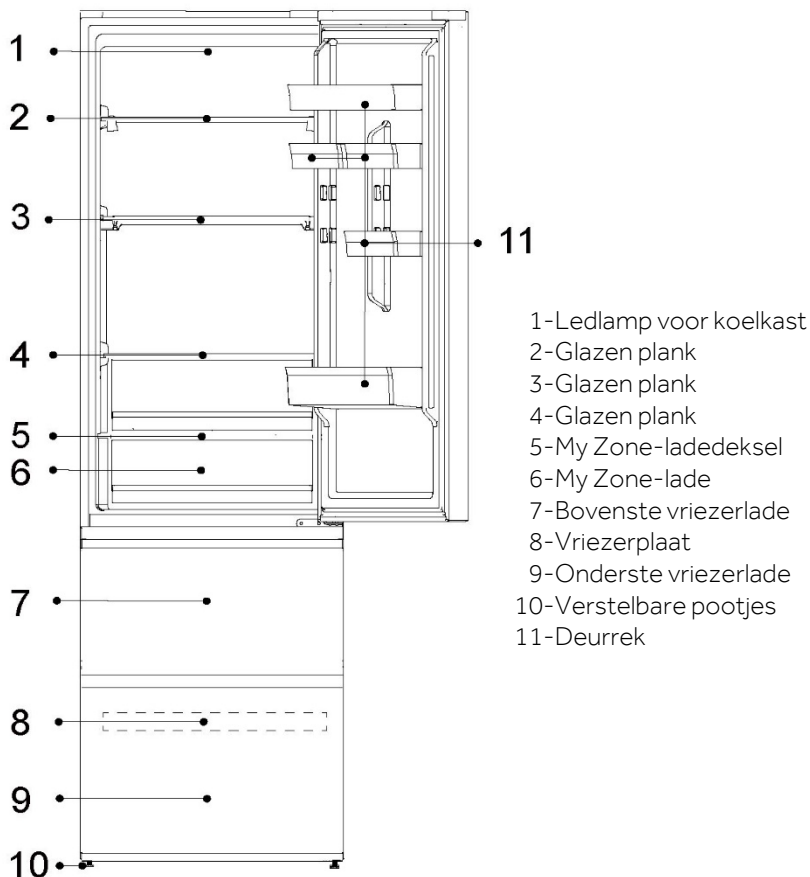
(HTW3620DN*)



i LET OP

Door technische wijzigingen en verschillende modellen kunnen sommige afbeeldingen in deze handleiding afwijken van uw model.

(HTW3618DN*, HTW3618CN*, HTW3618EN*)

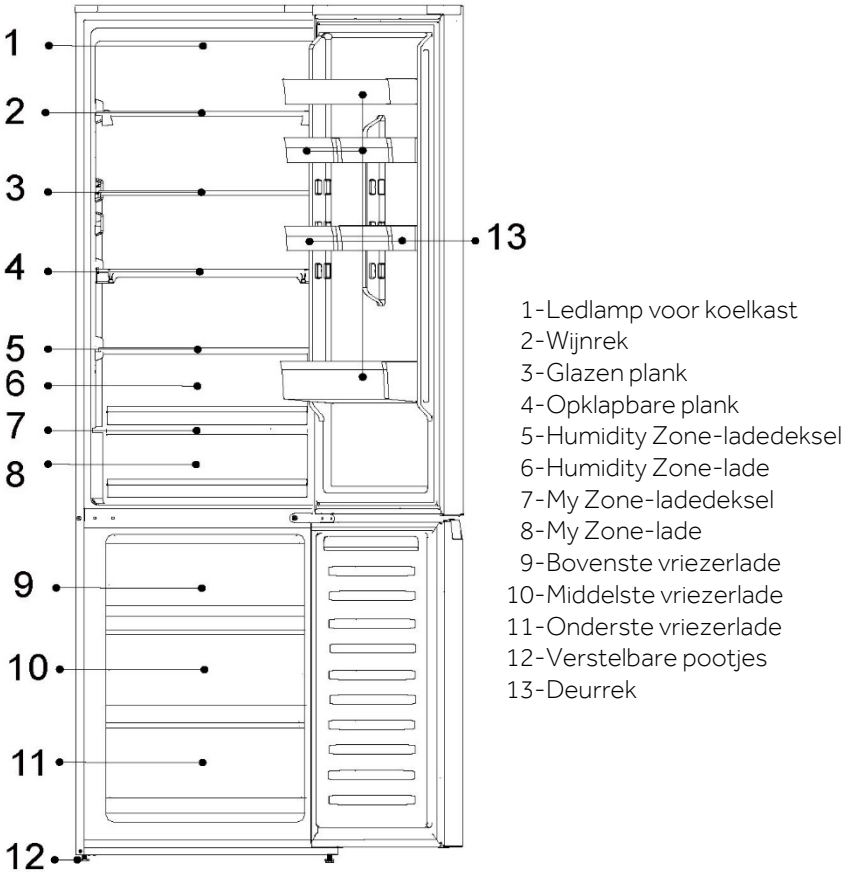




i LET OP

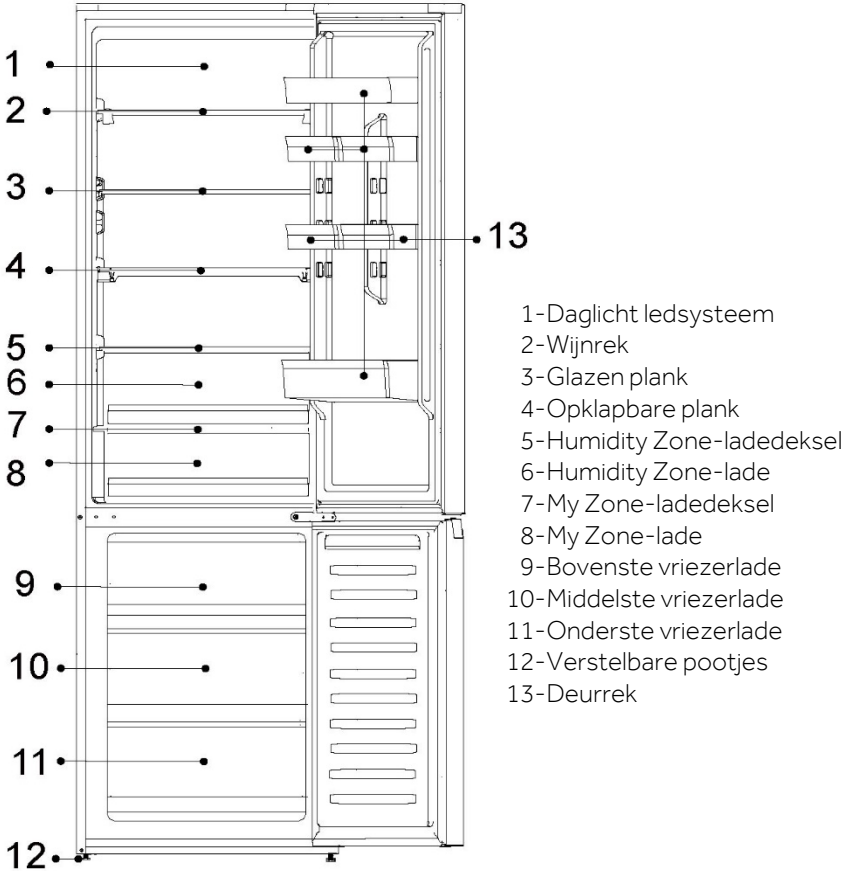
Door technische wijzigingen en verschillende modellen kunnen sommige afbeeldingen in deze handleiding afwijken van uw model.

(HDPW5620DN*, HDPW5620CN*, HDPW5620AN*, HDPW5620BN*)



i LET OP

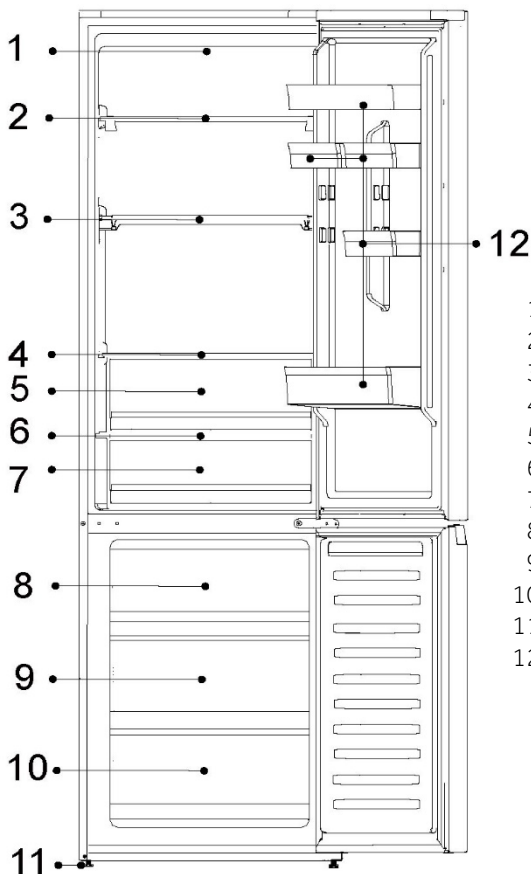
Door technische wijzigingen en verschillende modellen kunnen sommige afbeeldingen in deze handleiding afwijken van uw model.
(HDPW7620AN*, HDPW7620AAN*)



**i LET OP**

Door technische wijzigingen en verschillende modellen kunnen sommige afbeeldingen in deze handleiding afwijken van uw model.

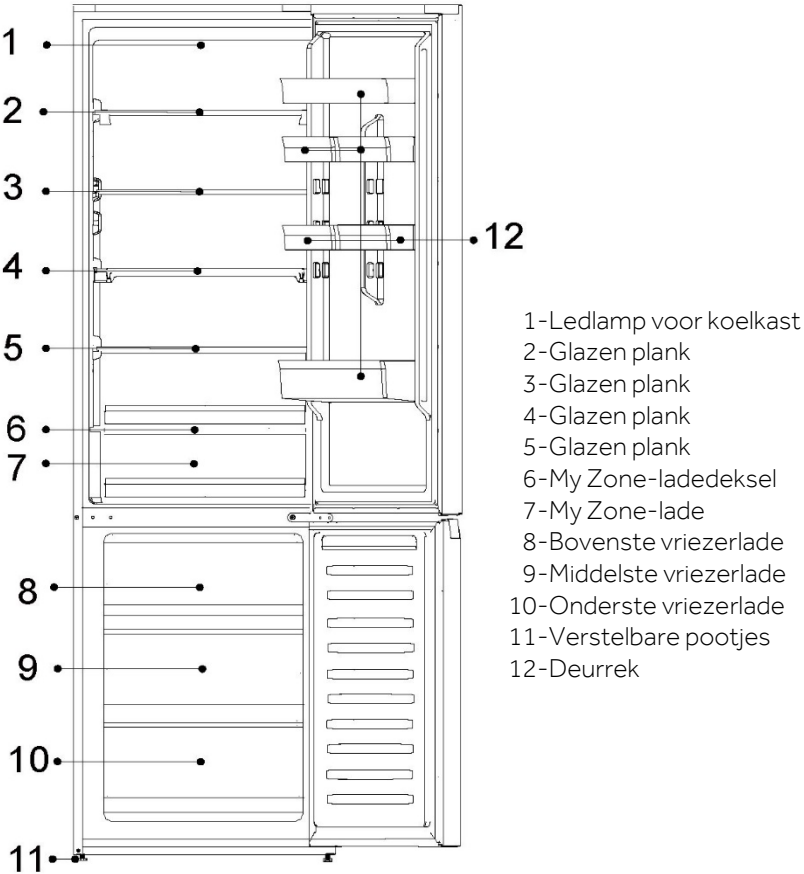
(HDPW5618DN*, HDPW5618CN*)



- 1-Ledlamp voor koelkast
- 2-Wijnrek
- 3-Opklapbare plank
- 4-Humidity Zone-ladedeksel
- 5-Humidity Zone-lade
- 6-My Zone-ladedeksel
- 7-My Zone-lade
- 8-Bovenste vriezerlade
- 9-Middelste vriezerlade
- 10-Onderste vriezerlade
- 11-Verstelbare pootjes
- 12-Deurrek

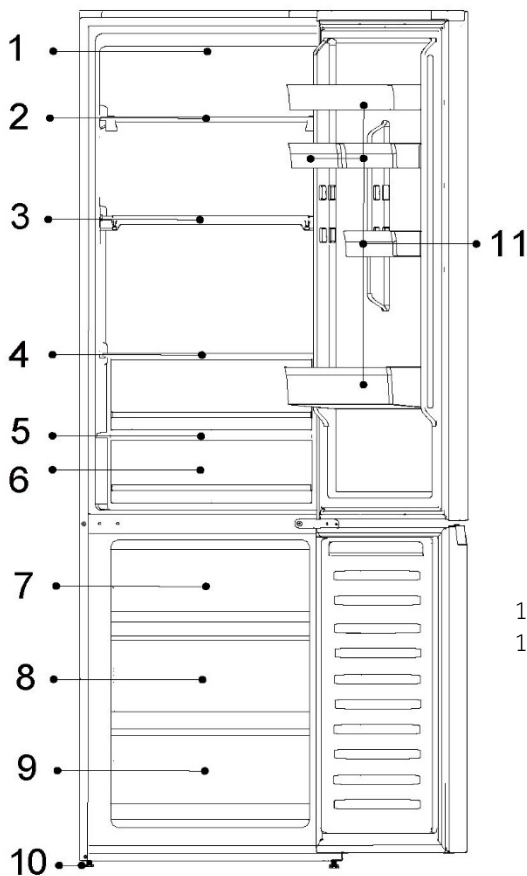
i LET OP

Door technische wijzigingen en verschillende modellen kunnen sommige afbeeldingen in deze handleiding afwijken van uw model.
(HDPW3620DN*, HDPW3620CN*)



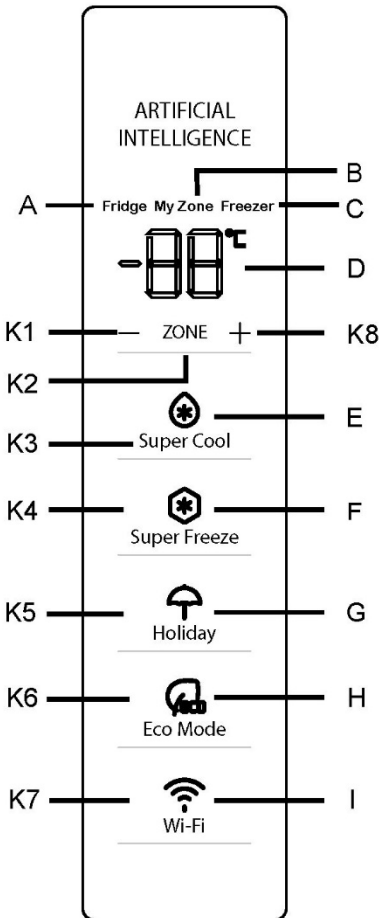
**i LET OP**

Door technische wijzigingen en verschillende modellen kunnen sommige afbeeldingen in deze handleiding afwijken van uw model.
(HDPW3618DN*)



- 1-Ledlamp voor koelkast
- 2-Glazen plank
- 3-Glazen plank
- 4-Glazen plank
- 5-My Zone-ladedeksel
- 6-My Zone-lade
- 7-Bovenste vriezerlade
- 8-Middelste vriezerlade
- 9-Onderste vriezerlade
- 10-Verstelbare pootjes
- 11-Deurrek

Bedieningspaneel



Indicatoren:

- A Koelkastgedeelte
- B Koelcompartiment (My Zone)
- C Vriezergedeelte
- D Temperatuurweergave
- E Super Cool-functie
- F Super Freeze-functie
- G Functie 'Holiday'
- H Eco Mode-functie | Wififunctie

Toetsen:

- K1 Temperatuur verlagen
- K2 Selectie Fridge, My Zone en Freezer
- K3 Super Cool-functie aan/uit
- K4 Super Freeze-functie aan/uit
- K5 Holiday-functie aan/uit
- K6 Eco Mode-functie aan/uit
- K7 Wififunctie aan/uit
- K8 Temperatuur verhogen

Vóór het eerste gebruik

Verwijder alle verpakkingsmaterialen, houd ze buiten bereik van kinderen en gooi ze op een milieuvriendelijke manier weg.

Reinig de binnen- en buitenkant van het apparaat, de binnenkant en de accessoires met water en een mild reinigingsmiddel, en droog deze delen goed af met een zachte doek.

Nadat het apparaat waterpas is gezet en is schoongemaakt, moet u minstens 2 uur wachten voordat u het aansluit op het elektriciteitsnet. Raadpleeg hoofdstuk INSTALLATIE.

Koel de compartimenten op hoge instellingen voor voordat u het voedsel erin zet. De Super Freeze-functie helpt om het vriezergedeelte snel af te koelen.

Sensortoetsen

De toetsen op het bedieningspaneel zijn sensortoetsen, die al reageren als ze licht met de vinger worden aangeraakt.

Het apparaat in-/uitschakelen

Het apparaat werkt zodra het op de voeding is aangesloten.

Wanneer het apparaat voor het eerst wordt ingeschakeld, tonen temperatuurindicatoren 'D' de vooraf ingestelde waarden (zie de onderstaande informatie).

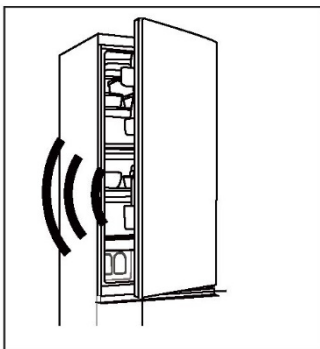
LET OP

Het apparaat is vooraf ingesteld op de aanbevolen temperatuur van 5 °C (koelkast) en -18°C (vriezer). De My Zone-temperatuur is ingesteld op ongeveer 2°C. Dit zijn de aanbevolen instellingen. Als u wilt, kunt u deze temperaturen handmatig veranderen.

Alarm 'Deur open'

Wanneer de deur van de koelkast langer dan 3 minuten open staat, klinkt het alarm voor deur open.

Het alarm kan worden uitgeschakeld door de deur te sluiten. Als de deur langer dan 7 minuten open staat, worden het licht in de koelkast en de verlichting van het bedieningspaneel automatisch uitgeschakeld.



De temperatuur aanpassen

De binnentemperaturen worden beïnvloed door de volgende factoren:

- ▶ Omgevingstemperatuur
- ▶ Frequentie van het openen van de deur
- ▶ Hoeveelheid opgeslagen voedsel
- ▶ Installatie van het apparaat



De koelkasttemperatuur aanpassen

1. Druk op de toets 'K2' (selectie Fridge/(My Zone)/ Freezer) om het koelkastgedeelte te selecteren. De pictogrammen 'A' (koelkast) en 'D' (temperatuurweergave) zijn verlicht.

2. Druk op de toets 'K1/K8' om de koelkasttemperatuur in te stellen.

De temperatuur wordt verhoogd in stappen van 1°C, van een minimum van 2°C tot een maximum van 8°C. De optimale temperatuur in de koelkast is 5°C. Koudere temperaturen betekenen onnodig energieverbruik.

3. Na ongeveer 5 seconden blijft het temperatuurpictogram 'D' (temperatuurweergave) permanent verlicht en is de instelling bevestigd.

De vriezertemperatuur aanpassen

1. Druk op de toets 'K2' (selectie Fridge/(My Zone)/ Freezer) om het vriezergedeelte te selecteren, de pictogrammen 'C' (vriezergedeelte) en 'D' (temperatuurweergave) zijn verlicht.

2. Druk op de knop "K1/K8" om de vriezertemperatuur in te stellen.

De temperatuur wordt verhoogd in stappen van 1°C, van een minimum van -24°C tot een maximum van -16°C. De optimale temperatuur in de vriezer is -18°C. Lagere temperaturen betekenen onnodig energieverbruik.

3. Na ongeveer 5 seconden blijft het temperatuurindicator 'D' (temperatuurweergave) permanent verlicht en is de instelling bevestigd.

De temperatuur voor My Zone aanpassen

Het koelkastgedeelte is voorzien van een My Zone-lade. In overeenstemming met de vereisten voor het bewaren van voedsel kan de meest geschikte temperatuur worden geselecteerd om de optimale voedingswaarde van de voeding te verkrijgen.

1. Druk op de toets 'K2' (selectie Fridge/(My Zone)/ Freezer) om het My Zone-gedeelte te selecteren. De pictogrammen 'B' (My Zone-gedeelte) en 'D' (temperatuurweergave) zijn verlicht.

2. Druk op de knop "K1/K8" om de temperatuur van My Zone in te stellen.

De temperatuur wordt verhoogd in stappen van 1°C, van een minimum van 0°C tot een maximum van 5°C.

3. Na ongeveer 5 seconden blijft het temperatuurpictogram 'D' (temperatuurweergave) permanent verlicht en is de instelling bevestigd.



i OPMERKING

1. U kunt de temperatuur van het My Zone-gedeelte op het middelste niveau (2°C) instellen om uw voedsel in de optimale bewaaromgeving te bewaren.
2. Door verschillende watergehaltes van vlees, bevroren sommige soorten vlees met meer vocht bij temperaturen lager dan 0°C. Dus gebruiksklaar vlees moet in de My Zone-lade worden bewaard bij een minimumtemperatuur van 0°C.
3. Koudegevoelig fruit zoals ananas, avocado's, bananen, grapefruits en groenten zoals aardappelen, aubergines, bonen, komkommers, courgettes en tomaten en kaas mogen niet in de My Zone-lade worden bewaard.
4. Als de koelkasttemperatuur lager is dan de My Zone-temperatuur, is het normaal dat de temperatuur van My Zone lager is dan de ingestelde temperatuur van My Zone.
5. Als de kamertemperatuur lager is dan 8°C, is de temperatuur van de My Zone-lade altijd in de buurt van 0°C.

i LET OP

Als er na het instellen van de temperatuur binnen 5 seconden andere toetsen worden aangeraakt, wordt de huidige temperatuurinstelling onmiddellijk bevestigd. Als er binnen 5 seconden geen toetsen worden aangeraakt, wordt de huidige ingestelde temperatuur weergegeven totdat het scherm uitgaat.

i LET OP

Vanuit de app is het mogelijk om de temperatuur voor de koelkast, de vriezer en My Zone aan te passen. De temperatuur kan worden ingesteld met een gevoeligheid van 1°C.

Super Cool-functie

1. Het wordt aangeraden om de Super Cool-functie in te schakelen als er een grotere hoeveelheid voedsel moet worden opgeslagen (bijvoorbeeld na de aankoop). De Super Cool-functie versnelt het koelen van vers voedsel en beschermt het al opgeslagen voedsel tegen ongewenste opwarming.
2. Druk op de toets 'K3' of schakel de functie in vanuit de app, pictogram 'E' (Super Cool-functie) is verlicht en de functie wordt geactiveerd.



LET OP

1. Het apparaat schakelt de 'Super Cool-functie' uit nadat deze 6 uur ingeschakeld is geweest of als u op de toets 'K3' drukt wanneer het pictogram 'E' (Super Cool-functie) verlicht is of de functie uitschakelt in de app.
2. Als de temperatuur van het koelkastgedeelte wordt veranderd terwijl de Super Cool-functie is ingeschakeld, knippert het pictogram 'E' (Super Cool-functie) om aan te geven dat deze handeling niet kan worden uitgevoerd.

Super Freeze-functie

1. Vers voedsel moet zo snel mogelijk diep worden ingevroren. Hierdoor blijven de voedingswaarde, het uiterlijk en de smaak het best behouden. De Super Freeze-functie versnelt het invriezen van vers voedsel en beschermt de reeds opgeslagen producten tegen ongewenste opwarming. Als u in één keer een grote hoeveelheid voedsel moet invriezen, is het raadzaam de Super Freeze-functie 24 uur vóór het gebruik van het vriezergedeelte in te stellen.
2. Druk op de toets 'K4' (instelling Super Freeze-functie) of schakel de functie in met de app, het pictogram 'F' (Super Freeze-functie) is verlicht en de functie wordt geactiveerd.

LET OP

1. Het apparaat schakelt de Super Freeze-functie uit nadat deze 50 uur ingeschakeld is geweest of als u op de toets 'K4' drukt wanneer het pictogram 'F' (Super Freeze-functie) verlicht is of de functie uitschakelt in de app.
2. Als de temperatuur van het vriezergedeelte wordt veranderd terwijl de Super Freeze-functie is ingeschakeld, knippert het pictogram 'F' (Super Freeze-functie) om aan te geven dat deze handeling niet kan worden uitgevoerd.

Functie 'Holiday'

De Holiday-functie kan worden gebruikt om het energieverbruik van het apparaat te verminderen, als het niet regelmatig wordt gebruikt. Wanneer de functie ingeschakeld is, is de koelkast uitgeschakeld, terwijl de diepvriezer normaal blijft werken. De functie stelt de koelkasttemperatuur permanent in op 17°C.

Hierdoor kan de deur van de lege koelkast gesloten blijven zonder dat er een geur of schimmel ontstaat tijdens een lange afwezigheid (bijv. tijdens vakantie). U kunt het vriezergedeelte naar wens instellen.



1. Druk op de toets 'K5' (Holiday-functie aan/uit) of selecteer de functie in de app, het pictogram 'G' (Holiday-functie) is verlicht en de functie wordt geactiveerd.
2. De functie kan worden uitgeschakeld door opnieuw op de toets 'K5' (Holiday-functie aan/uit) te drukken of door de koelkasttemperatuur in te stellen of door een andere instelling uit te voeren of door de functie uit te schakelen in de app.

LET OP

1. Tijdens de Holiday-functie mag er geen voedsel in het koelkastgedeelte worden bewaard. De temperatuur van 17°C is te hoog voor het bewaren van voedsel.
2. Wanneer de Holiday-functie is ingeschakeld, blijft het My Zone-pictogram uit en is de koelkastfunctie vergrendeld. Als de temperatuur van het koelkastgedeelte wordt veranderd, knippert het pictogram 'G' (Holiday-functie) om aan te geven dat deze handeling niet kan worden uitgevoerd.

Eco Mode-functie

De Eco-Mode kan worden geactiveerd om de prestaties van het apparaat te optimaliseren en tegelijkertijd voedsel het best te bewaren. Als u geen speciale eisen hebt, raden wij u aan om de Eco Mode-functie te gebruiken.

In deze modus is de koelkasttemperatuur 5°C en is de vriezertemperatuur -18°C.





1. Druk op de toets 'K6' (Eco Mode-functie aan/uit) of selecteer de functie in de app.
2. Het pictogram 'H' (Eco Mode-functie) is verlicht en de functie wordt geactiveerd.

Door de bovenstaande stappen te herhalen of een andere functie te selecteren of de functie uit te schakelen in de app, kan deze functie weer worden uitgeschakeld. De eerder ingestelde koelniveaus worden hersteld.

LET OP

Als de temperatuur van het koelkast-/vriezergedeelte wordt veranderd terwijl de Eco Mode-functie is ingeschakeld, knippert het pictogram 'H' (Eco Mode-functie) om aan te geven dat deze handeling niet kan worden uitgevoerd.

Stap 1 Download de hOn-app in de stores.

   	
<p>Stap 2 Maak een account aan in de hOn-app of log in als u al een account heeft.</p> 	<p>Stap 3 Volg de koppelinstructies in de hOn-app.</p> 

Wififunctie

1. Volg de instructies in de app om de wifi te configureren.
2. Zodra de wifi is ingesteld en de verbinding tot stand is gebracht, gaat het wifipictogram 'I' aan en blijft branden.
3. Als de wifi al is geconfigureerd, zal er automatisch opnieuw verbinding worden gemaakt volgens de configuratie-informatie als de wifi wordt ingeschakeld.

LET OP

1. Druk op de wifitoets 'K7' om de wifi uit te schakelen. Het wifipictogram 'I' gaat uit.
2. Druk op de wifitoets 'K7' om de wifi in te schakelen en de configuratie te starten. Het wifipictogram 'I' knippert langzaam. Als u de wifi-functie wilt configureren, houdt u gedurende 3 seconden de toets 'K7' ingedrukt; het wifi-pictogram knippert snel en gaat de configuratiemodus in. Als u de wififunctie wilt uitschakelen, drukt u één keer op de toets 'K7'. De bovenstaande stappen worden herhaald.
3. Als het product is geconfigureerd en de wifi-functie is uitgeschakeld, zal de koelkast de configuratiemodus niet openen wanneer deze weer wordt aangesloten op de voeding.

LET OP

1. Dit product is niet bedoeld voor commercieel gebruik.
2. Het maximale RF-uitgangsvermogen: 2,4 GHz; Wifi: 16dBm.
3. Bluetooth LE: 5dBm; Bluetooth (BR/EDR): 10dBm.
4. Frequentieband: 2400–2483,5 MHz.

Bewaren in het koelkastgedeelte

- Houd de koelkasttemperatuur lager dan 5°C.
- Laat warm voedsel afkoelen tot kamertemperatuur voordat u het in het apparaat opbergt.
- In de koelkast opgeslagen levensmiddelen moeten worden gewassen en afgedroogd voordat zij worden opgeborgen.
- Het te bewaren voedsel moet goed afgesloten zijn om geur- of smaakveranderingen te voorkomen.
- Bewaar geen overmatige hoeveelheden voedsel. Laat ruimtes tussen voedingswaren zodat er koude lucht omheen kan stromen, voor een betere en gelijkmatiger koeling.
- Voedsel dat dagelijks wordt gegeten moet worden bewaard aan de voorkant van de plank.
- Laat ruimte tussen voedingswaren en de binnenwanden, zodat lucht kan stromen. Bewaar met name geen voedsel tegen de achterwand: voedsel kan tegen achterwand bevriezen. Vermijd direct contact van voedsel (vooral olieachtig of zuur voedsel) met de binnenvoering, omdat olie/zuur de binnenvoering kan aantasten. Haal de stekker van het apparaat uit het stopcontact.
- Bevroren voedsel kan voorzichtig worden ontdooid in het koelkastgedeelte. Dit bespaart energie.
- Het rijpingsproces van groenten en fruit zoals courgette, meloen, papaja, banaan, ananas, etc. kan in de koelkast versneld worden. Daarom wordt het niet aanbevolen om deze in de koelkast te bewaren. Het rijpen van onrijp fruit kan echter wel worden versneld gedurende een bepaalde periode. Uien, knoflook, gember en andere wortelgroenten moeten ook bij kamertemperatuur worden bewaard.
- Onaangename geurtjes in de koelkast zijn een teken dat er iets is gemorst en moet worden schoongemaakt. Zie 'Onderhoud en reiniging'.
- Verschillende voedingswaren moeten op verschillende plaatsen worden geplaatst naargelang de eigenschappen ervan.

Bewaren in het vriezergedeelte

- Houd de temperatuur van de vriezer op -18°C.
- Schakel 24 uur voor het invriezen de Super-Freeze functie in. Voor kleine hoeveelheden voedsel is 4–6 uur voldoende.
- Warm voedsel moet eerst worden afgekoeld tot kamertemperatuur voordat het in het vriezergedeelte kan worden bewaard.
- Voedsel dat in kleine porties is gesneden zal sneller bevroren en is gemakkelijker te ontdooien en bereiden. Het aanbevolen gewicht per portie bedraagt minder dan 2,5 kg



- Het is beter om voedsel te verpakken voordat u het in de vriezer plaatst. De buitenkant van de verpakking moet droog zijn om te voorkomen dat zakken aan elkaar kleven. Verpakkingsmaterialen moeten geurvrij, luchtdicht, niet-giftig en niet-toxisch zijn.
- Schrijf om overschrijden van de houdbaarheidstermijnen te voorkomen de invriesdatum, de tijdlimiet en de naam van het voedsel op de verpakking volgens de bewaartermijnen van de verschillende levensmiddelen.



WAARSCHUWING!

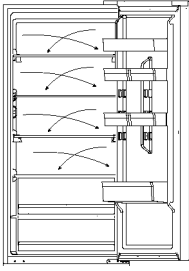
- ▶ Zuren, basen en zout, etc. kunnen het interne oppervlak van de vriezer wegvreten.
- ▶ Plaats voedsel met deze stoffen (bijv. zeevis) niet direct tegen de binnenzijde. Zout water in de diepvriezer moet onmiddellijk worden verwijderd.
- ▶ Overschrijd niet de door de fabrikanten aanbevolen bewaartijd van levensmiddelen. Neem alleen de benodigde hoeveelheid voedsel uit de vriezer.
- ▶ Gebruik ontdooide etenswaren zo snel mogelijk. Ontdooid voedsel mag niet opnieuw worden ingevroren, tenzij het eerst wordt bereid; anders is het mogelijk niet meer eetbaar.
- ▶ Plaats geen overmatige hoeveelheden vers voedsel in het vriezergedeelte. Zie de vriescapaciteit van de diepvriezer – zie TECHNISCHE GEGEVENS of de gegevens op het typeplaatje.
- ▶ Levensmiddelen kunnen bij een temperatuur van ten minste -18°C gedurende 2 tot 12 maanden in de vriezer worden bewaard, afhankelijk van de eigenschappen (bijv. vlees: 3–12 maanden, groenten: 6–12 maanden).
- ▶ Vermijd bij het invriezen van vers voedsel dat het in contact komt met al ingevroren levensmiddelen. Risico op ontdooien!

Volg de volgende richtlijnen bij het opslaan van commercieel ingevroren levensmiddelen:

- Volg altijd de richtlijnen van de fabrikanten voor hoe lang u het voedsel kunt bewaren. Overschrijd deze richtlijnen niet!
- Probeer de tijd tussen aankoop en opslag zo kort mogelijk te houden om de voedselkwaliteit te behouden.
- Koop alleen diepvriesproducten die bij een temperatuur van -18°C of lager zijn bewaard.
- Vermijd het kopen van voedsel dat ijs of rijp op de verpakking heeft. Dit wijst erop dat de producten op een bepaald moment gedeeltelijk ontdooid en opnieuw ingevroren kunnen zijn – temperatuurstijgingen hebben invloed op de kwaliteit van het voedsel.

i OPMERKING

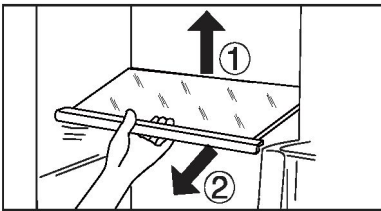
Als gevolg van verschillende modellen, heeft uw product mogelijk niet alle volgende functies. Zie hoofdstuk 'Productbeschrijving'.



Meervoudige luchtstroom

De koelkast is uitgerust met een meervoudige-luchtstroomsysteem, waarmee er op elke plank koele luchtstromen zijn. Dit helpt om een gelijkmatige temperatuur te handhaven om ervoor te zorgen dat uw voedsel langer vers blijft.

Verstelbare plank



1. De hoogte van de planken kan worden aangepast aan uw opslagbehoeften.
2. Om een plank te verplaatsen, verwijdert u hem eerst door de achterrand ① op te tillen en de plank eruit ② te trekken.
3. Om hem weer te installeren, plaatst u hem op de nokjes aan beide kanten en duwt u hem helemaal naar achteren tot de achterkant van de plank vastzit in de gleuven in de zijkanten.

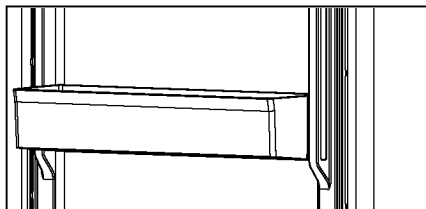
i LET OP

Zorg ervoor dat alle kanten van een plank vlak zijn.

Uitneembaar deurrek

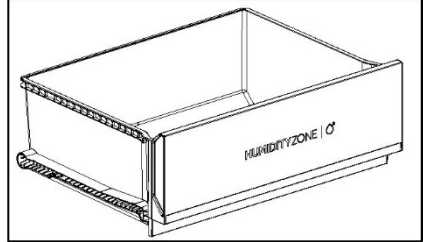
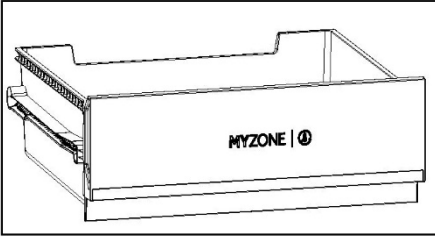
Het deurrek kan worden verwijderd voor het reinigen:

Plaats uw handen aan beide kanten van het rek, til het omhoog (1) en trek het eruit (2). Voer de bovenstaande stappen in omgekeerde volgorde uit om het deurrek weer terug te plaatsen.



My Zone-lade

Zie het gedeelte GEBRUIK (My Zone) voor het gebruik en het instellen van het My Zone-gedeelte.



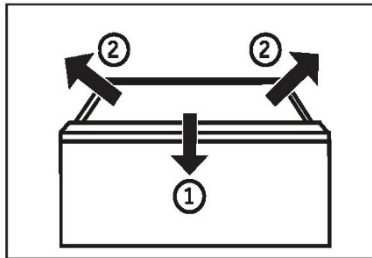
Humidity Zone-lade

In dit gedeelte wordt het vochtigheidsniveau automatisch gereguleerd door het systeem en is geschikt voor het bewaren van fruit, groenten, salades, etc.

Verwijderbare lade

Om de lade uit het koelkast- of vriezergedeelte te verwijderen, trekt u deze zo ver mogelijk naar buiten (1), daarna optillen en verwijderen (2).

Voer de bovenstaande stappen in omgekeerde volgorde uit om de lade weer terug te plaatsen.



Vriezerlade

De vriezerlade kan er rechthoekig volledig worden uitgetrokken. Hij is gemonteerd op gemakkelijk glijdende, uitschuifbare rails, zodat u de diepvriesproducten comfortabel kunt bewaren en uit de lade kunt verwijderen. Door het automatische deursluitmechanisme is de bediening eenvoudig en bespaart u energie.



WAARSCHUWING!

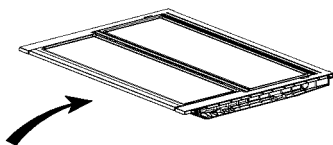
De lades niet overbelasten: Maximale belasting van elke lade: 35 kg!

De verlichting

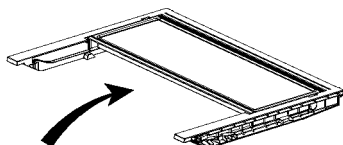
De led-binnenverlichting gaat branden als de deur wordt geopend. De werking van de verlichting wordt niet beïnvloed door een van de andere instellingen van het apparaat.

Opklapbare plank

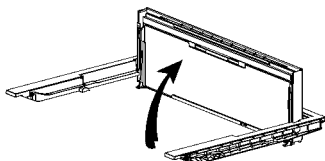
Dankzij de opklapbare plank kan de gebruiker hoge flessen of artikelen op de planken zetten. De plank kan worden opgeklapt aan de achterkant zodat de beschikbare ruimte van het onderste plank groter wordt. De plank kan als volgt worden opgeklapt: stap 1~3. Voer de volgende procedures in omgekeerde volgorde uit als u terug wilt keren naar de oorspronkelijke situatie.



Stap 1: Duw de voorkant van de plank langzaam naar het einde toe.



Stap 2: Duw de plank langzaam omhoog naar de verticale positie.



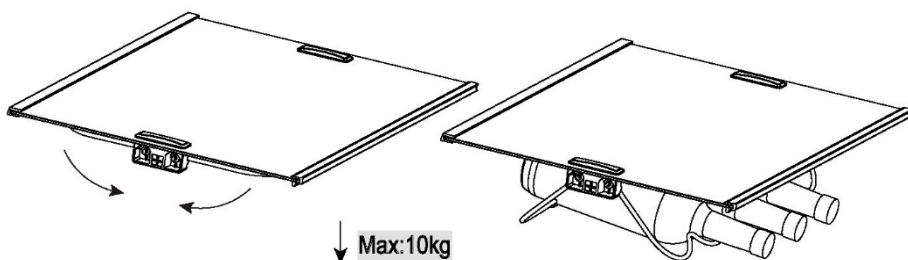
Stap 3: De plank is verticaal. Hierdoor wordt er ruimte bespaard.

Opvouwbaar wijnrek

Voor normaal gebruik

1. Trek de beugels van het wijnrek omlaag.
2. Plaats de flessen in het rek.

Wanneer het niet wordt gebruikt, kan het wijnrek worden teruggeklapt om ruimte te besparen.





Tips voor energiebesparing

- ▶ Zorg ervoor dat het apparaat goed wordt geventileerd (raadpleeg INSTALLATIE).
- ▶ Installeer het apparaat niet in direct zonlicht of in de buurt van warmtebronnen (bijv. kachels, verwarmingstoestellen).
- ▶ Vermijd onnodig lage temperaturen in het apparaat. Het energieverbruik neemt toe naarmate de ingestelde temperatuur in het apparaat daalt.
- ▶ Functies zoals SUPER FREEZE verbruiken meer energie.
- ▶ Laat warm voedsel afkoelen voordat u het in de koelkast plaatst.
- ▶ Open de deur van het apparaat zo weinig en zo kort mogelijk.
- ▶ Vul het apparaat niet te vol om te voorkomen dat de luchtdoorstroming wordt geblokkeerd.
- ▶ Vermijd lucht in de verpakking van het voedsel.
- ▶ Houd de deurpakking schoon, zodat de deur altijd goed sluit.
- ▶ Ontdooi bevroren levensmiddelen in de koelkast of gebruik de D-Frost-functie in de My Zone-lade.
- ▶ De meest energiebesparende configuratie vereist dat de lade, de bak en de planken als nieuw in het apparaat worden geplaatst en dat voedsel zo wordt geplaatst dat het de luchtuitlaat van het luchtkanaal niet blokkeert.



WAARSCHUWING!

Haal de stekker van het apparaat uit het stopcontact voordat u het reinigt.

Reinigen

Reinig het apparaat als er weinig of geen voedsel in is opgeslagen.

Het apparaat moet om de vier weken worden schoongemaakt voor een goed onderhoud en om nare voedselgeuren te voorkomen.



WAARSCHUWING!

- ▶ Reinig het apparaat niet met harde borstels, draadborstels, waspoeder, benzine, amylacetaat, aceton en soortgelijke organische oplossingen, zure of alkalische oplossingen. Reinig het apparaat met een speciaal reinigingsmiddel voor koelkasten om schade te voorkomen.
- ▶ Spuit niet op het apparaat en spoel het niet af tijdens het reinigen.
- ▶ Gebruik geen waterstraal of stoom om het apparaat schoon te maken.
- ▶ Reinig de koude glazen planken niet met heet water. Door plotselinge temperatuurveranderingen kan het glas breken.
- ▶ Raak het binnenoppervlak van het vriezergedeelte niet aan, vooral niet met natte handen, omdat uw handen aan het oppervlak vast kunnen vriezen.
- ▶ Controleer in geval van opwarming de toestand van de ingevroren producten.



- ▶ Houd de deuropakking altijd schoon.
- ▶ Reinig de binnenkant en behuizing van het apparaat met een spons die is bevochtigd in warm water en een neutraal reinigingsmiddel.
- ▶ 1. Was de binnenkant en buitenkant van de koelkast, waaronder deurrubbers, deurrek, glazen planken, bakken enzovoort, met een zachte handdoek of spons die in warm water is gedrenkt (u mag een neutraal schoonmaakmiddel toevoegen aan het warme water).
- ▶ 2. Als er vloeistof is gemorst, verwijder dan alle verontreinigde onderdelen en spoel ze direct af met het stromend water. Daarna afdrogen en terug in de koelkast plaatsen.
- ▶ 3. Als er room (zoals koffiemelk, smeltend ijs) wordt gemorst, moeten alle verontreinigde delen worden verwijderd. Zet ze een tijdje in warm water van ongeveer 40°C en spoel vervolgens af met stromend water. Daarna afdrogen en terug in de koelkast plaatsen.
- ▶ 4. Als een klein deeltje of onderdeel vast komt te zitten in de koelkast (tussen planken of laden), gebruik dan een klein, zacht borsteltje om het weg te halen. Als u het onderdeel niet kan bereiken, neem dan contact op met de klantenservice van Haier.



- ▶ Spoel af en droog af met een zachte doek.
- ▶ Reinig de onderdelen van het apparaat niet in een vaatwasser.
- ▶ Laat het apparaat minstens 5 minuten rusten voordat u het opnieuw opstart, omdat vaak opstarten de compressor kan beschadigen.

Ontdoeien

De koelkast en de vriezer worden automatisch ontdooid; er is geen handmatige bediening nodig.

De ledlampjes vervangen



WAARSCHUWING!

Vervang de ledlamp niet zelf, deze mag alleen worden vervangen door de fabrikant of door de erkende servicevertegenwoordiger.

De lamp heeft een led als lichtbron, met een laag energieverbruik en een lange levensduur. Als er sprake is van een afwijking, neem dan contact op met de klantenservice. Zie KLANTENSERVICE.

Parameters van de lampen:

Deel	Ledlamp
Spanning	12 V
Maximaal vermogen	1,5 W
Led-specificaties	Wit-2835
LED-efficiëntieklasse	G
Gebruikstemperatuur	-40~80°C

HDPW7620*, HTW7620*

Deel	Ledlamp
Spanning	12 V
Maximaal vermogen	8 W
Led-specificaties	Wit-4014
LED-efficiëntieklasse	G
Gebruikstemperatuur	-30~60°C

Geen gebruik voor een langere periode

Als het apparaat gedurende langere tijd niet wordt gebruikt en u gebruikt niet de Holiday-functie bij de koelkast:

Haal het voedsel eruit.

Haal de stekker van het netsnoer uit het stopcontact.

Reinig het apparaat zoals hierboven beschreven.

Houd de deuren open om de vorming van nare geuren binnenin te voorkomen.



LET OP

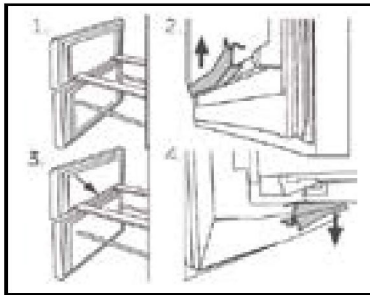
Schakel het apparaat alleen uit als dat echt nodig is.

Afneembare extra deurafdichtingen

Er zijn zes extra deurafdichtingen op de bovenste en onderste vriezerladen.

1. Zoek de vijf aangegeven deurafdichtingen op de bovenste en onderste vriezerladen.
2. Zorg ervoor dat de gebogen gedeelten van de afdichtingen naar binnen wijzen tijdens het aanbrengen.
3. Zoek de onderste afdichting van de bovenste lade op, zoals aangegeven.
4. Zorg ervoor dat het gebogen gedeelte van deze afdichting omlaag wijst tijdens het aanbrengen.

U krijgt deze afdichtingen en de afdichtingen voor de draaideur/-lade via de klantenservice (zie garantietaal).



Het apparaat verplaatsen

1. Verwijder alle etenswaren en haal de stekker van het apparaat uit het stopcontact.
2. Maak planken en andere beweegbare delen in de koelkast en vriezer vast met plakband.
3. Kantel de koelkast niet meer dan 45° om schade aan het koelsysteem te voorkomen.



WAARSCHUWING!

- ▶ Til het apparaat niet op aan de grepen.
- ▶ Plaats het apparaat nooit horizontaal op de grond.

Veel problemen kunnen door uzelf worden opgelost zonder specifieke expertise. Raadpleeg in geval van een probleem alle getoonde mogelijkheden en volg de onderstaande instructies voordat u contact opneemt met de klantenservice. Zie KLANTENSERVICE.



WAARSCHUWING!

- ▶ Schakel het apparaat uit voordat u onderhoud uitvoert en haal de stekker uit het stopcontact.
- ▶ Elektrische apparatuur mag alleen worden onderhouden door gekwalificeerde elektrische experts, omdat onjuiste reparaties aanzienlijke gevolgschade kunnen veroorzaken.
- ▶ Als de voeding beschadigd is, mag deze alleen worden vervangen door de fabrikant, diens servicevertegenwoordiger of vergelijkbaar gekwalificeerde personen om gevaar te voorkomen.

Probleemoplossingstabel

Probleem	Mogelijke oorzaak	Mogelijke oplossing
De compressor werkt niet.	De netstekker is niet aangesloten op het stopcontact.	Steek de stekker in het stopcontact.
	Het apparaat is aan het ontdooien.	Dit is normaal voor automatisch ontdooien.
Het apparaat loopt vaak of te lang.	De binnen- of buitentemperatuur is te hoog.	In dit geval is het normaal dat het apparaat langer werkt.
	Het apparaat is een tijd lang niet ingeschakeld geweest.	Normaal gesproken duurt het 8–12 uur voordat het apparaat volledig is afgekoeld.
	Een deur/lade van het apparaat zit niet goed dicht.	Sluit de deur/lade en zorg ervoor dat het apparaat op een vlakke ondergrond staat en dat er geen etenswaren of voedselbakjes de deur blokkeren.
	De deur/lade is te vaak of te lang geopend.	Open de deur/lade niet te vaak.
	De temperatuurinstelling voor het vriezergedeelte is te laag.	Stel de temperatuur hoger in totdat een toereikende koelkasttemperatuur is bereikt. Het duurt 24 uur voordat de koelkasttemperatuur stabiel wordt.
	De deur-/ladepakkingen zijn vuil, versleten, gebarsten of niet goed op elkaar afgestemd.	Reinig de afdichtingen van de deur/lade of vervang ze via de klantenservice.
De vereiste luchtcirculatie is niet gegarandeerd.	Zorg voor voldoende ventilatie.	



Probleem	Mogelijke oorzaak	Mogelijke oplossing
De binnenkant van de koelkast is vuil en/of stinkt.	De binnenkant van de koelkast moet worden schoongemaakt.	Reinig de binnenkant van de koelkast.
	Er wordt voedsel met een sterke geur bewaard in de koelkast.	Verpak het voedsel goed.
Het is niet koud genoeg in het apparaat.	De temperatuur is te hoog ingesteld.	Stel de temperatuur opnieuw in
	Er zijn te warme gerechten opgeslagen.	Laat de producten altijd afkoelen voordat u ze in de koelkast zet.
	Er is te veel voedsel in één keer bewaard.	Bewaar altijd kleine hoeveelheden voedsel.
	De producten zijn te dicht bij elkaar geplaatst.	Laat een gat tussen verschillende voedingsmiddelen waardoor lucht kan stromen.
	Een deur/lade van het apparaat zit niet goed dicht.	Sluit de deur/lade.
	De deur/lade is te vaak of te lang geopend.	Open de deur/lade niet te vaak.
Het is te koud in het apparaat.	De temperatuur is te laag ingesteld.	Stel de temperatuur opnieuw in.
	De Super Freeze-functie is geactiveerd of staat te lang aan.	Schakel de Super Freeze-functie uit.
Vochtvorming aan de binnenkant van het koelkastgedeelte.	Het klimaat is te warm en te vochtig.	Verhoog de temperatuur.
	Een deur/lade van het apparaat zit niet goed dicht.	Sluit de deur/lade.
	De deur/lade is te vaak of te lang geopend.	Open de deur/lade niet te vaak.
Voedselbakjes of vloeistoffen zijn open gelaten.		Laat warm voedsel afkoelen tot kamertemperatuur en dek voedsel en vloeistoffen af.
Vocht hoopt zich op het oppervlak aan de buitenkant van de koelkast en tussen de deuren/deur en lade op.	Het klimaat is te warm en te vochtig.	Dit is normaal in een vochtig klimaat en zal veranderen wanneer de luchtvochtigheid daalt.
	De deur/lade zit niet goed dicht.	Zorg dat de deur/lade goed dicht zit.
De pictogrammen op het display knippen om beurten en het koelsysteem werkt niet.	Het apparaat is in demomodus.	De koelkast is aangesloten op het stopcontact. Houd de toets 'ZONE' ingedrukt en druk vijf keer op de toets 'Eco Mode', waarna het pictogram niet meer knippert.



Probleem	Mogelijke oorzaak	Mogelijke oplossing
Veel ijs en rijp in het vriezergedeelte.	De etenswaren zijn niet goed verpakt.	De etenswaren altijd goed verpakken.
	Een deur/lade van het apparaat zit niet goed dicht.	Sluit de deur/lade.
	De deur/lade is te vaak of te lang geopend.	Open de deur/lade niet te vaak.
	De deur-/ladepakkingen zijn vuil, versleten, gebarsten of niet goed op elkaar afgestemd.	Reinig de deur-/ladepakkingen of vervang ze door nieuwe.
	Iets aan de binnenkant voorkomt dat de deur/lade goed kan sluiten.	Verplaats de planken, deurrekken of bakken aan de binnenkant zo, dat de deur/lade kan worden gesloten.
Het apparaat maakt afwijkende geluiden.	Het apparaat staat niet op een vlakke ondergrond.	Stel de pootjes af om het apparaat waterpas te zetten.
	Het apparaat raakt voorwerpen rondom.	Verwijder voorwerpen rondom het apparaat.
Er is een licht geluid te horen dat lijkt op dat van stromend water.	Dit is normaal.	/
U hoort een alarm-pieptoon.	De deur van het koelkastgedeelte staat open.	Sluit de deur of zet het alarm handmatig af.
U hoort een zacht gebrom.	Het anticondensatiesysteem is aan het werk.	Dit voorkomt condensatie en is normaal.
De binnenverlichting of het koelsysteem werkt niet.	De netstekker is niet aangesloten op het stopcontact.	Steek de stekker in het stopcontact.
	De voeding is niet intact.	Controleer de elektrische voeding naar de kamer. Bel het plaatselijke elektriciteitsbedrijf!
	Het ledlampje is buiten werking.	Bel de klantenservice om het lampje te laten vervangen.
De zijkanten van de kast en de deurstrip worden warm.	Dit is normaal.	/
Er komt geen water uit de tuit van de waterdispenser.	De vergrendeling is niet gedeactiveerd.	Deactiveer de vergrendeling.



Stroomonderbreking

- ▶ In het geval van een stroomstoring, zou voedsel ongeveer 13 uur lang veilig koud moeten blijven. Volg de volgende tips tijdens een langdurige stroomstoring, vooral in de zomer.
- ▶ Open de deur/lade zo weinig mogelijk.
- ▶ Plaats geen extra voedsel in het apparaat tijdens een stroomstoring.
- ▶ Als een stroomstoring vooraf wordt aangekondigd en de onderbrekingsduur langer is dan 13 uur, maak dan ijsblokjes en zet die in een bak op de bovenste plank van het koelkastgedeelte.
- ▶ Onmiddellijk na de onderbreking is een controle van de producten vereist.
- ▶ Aangezien de temperatuur in de koelkast stijgt tijdens een stroomonderbreking of een andere storing, wordt de bewaarperiode en de eetbare kwaliteit van voedsel nadelig beïnvloedt. Alle levensmiddelen die ontdooien moeten worden gegeten, of worden bereid en daarna zo snel mogelijk opnieuw worden ingevroren (indien van toepassing) om gezondheidsrisico's te voorkomen.



LET OP

Geheugenfunctie tijdens de stroomonderbreking

Na herstel van de stroom gaat het apparaat door met de instellingen die waren ingesteld voor de stroomstoring.

Ga naar onze website om contact op te nemen met de technische ondersteuning:
<https://corporate.haier-eu-rope.com/en/>

Kies onder de kop 'website' het merk van uw product en uw land. U wordt doorgestuurd naar de specifieke website waar u het telefoonnummer en andere manieren kunt vinden om contact op te nemen met de technische dienst.

Uitpakken



WAARSCHUWING!

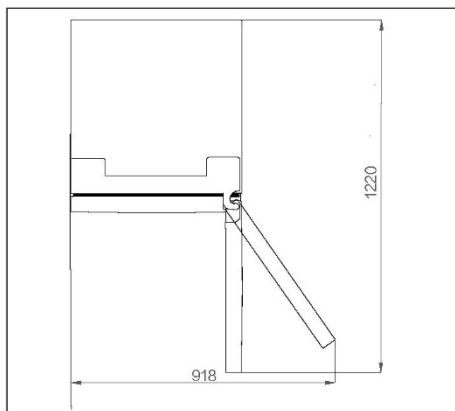
- ▶ Het apparaat is zwaar. Altijd hanteren met ten minste twee personen.
- ▶ Houd alle verpakkingsmaterialen buiten bereik van kinderen en gooi ze op een milieuvriendelijke manier weg.
- ▶ Haal het apparaat uit de verpakking.
- ▶ Verwijder al het verpakkingsmateriaal.

Omgevingsomstandigheden

De kamertemperatuur moet altijd tussen 10°C en 43°C liggen, aangezien het de temperatuur in het apparaat en het energieverbruik kan beïnvloeden. Installeer het apparaat niet in de buurt van andere warmtebronnen (ovens, koelkasten) zonder isolatie.

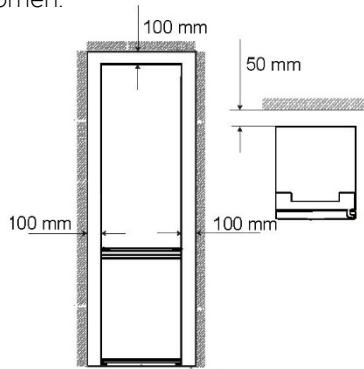
Benodigde ruimte

Vereiste ruimte als de deur open staat:



Doorsnede van ventilatie

Om voor de veiligheid voldoende ventilatie van het apparaat te bereiken, moet de informatie over de vereiste ventilatiedoorsneden in acht worden genomen.

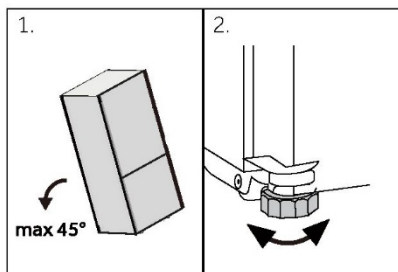


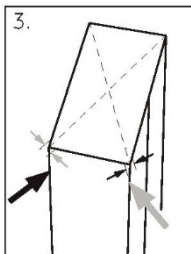
Het apparaat uitlijnen

Plaats het apparaat op een vlakke en stevige ondergrond.

1. Kantel de koelkast iets naar achteren.
2. Stel de voeten in op het gewenste niveau.

Zorg dat de afstand tot de wand aan de scharnierzijde ten minste 100 mm is om de deur goed te kunnen openen.

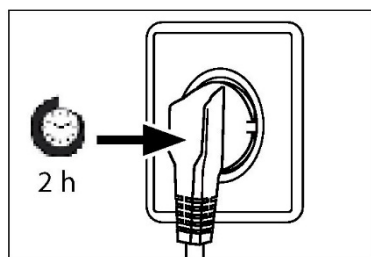




1. De stabiliteit kan worden gecontroleerd door afwisselend op de diagonalen te duwen. De lichte slingering moet in beide richtingen hetzelfde zijn. Anders kan het frame kromtrekken; mogelijk lekkende deurafdichtingen zijn het resultaat. Een kleine helling naar achteren vergemakkelijkt het sluiten van de deuren.

i LET OP

Bij een vrijstaand apparaat: dit koelapparaat is niet bedoeld voor gebruik als inbouwapparaat.



Wachttijd

De onderhoudsvrije smeeroilie bevindt zich in de behuizing van de compressor. Deze olie kan door het gesloten buissysteem komen bij liggend transport. Voordat u het apparaat op de voeding aansluit, moet u ten minste 2 uur wachten zodat de olie weer in de behuizing loopt.

Elektrische aansluiting

Controleer vóór elke aansluiting of:

- ▶ voeding, stopcontact en zekering geschikt zijn volgens het typeplaatje;
- ▶ het stopcontact is geaard en er geen stekkerdoos of verlengsnoer is;
- ▶ de stekker en het stopcontact goed passen.

Sluit de stekker aan op een correct geïnstalleerd huishoudelijk stopcontact.



WAARSCHUWING!

Om risico's te vermijden moet een beschadigd netsnoer worden vervangen door de klantenservice (zie garantiekaart).

Omkeerbaarheid van de deur

Voordat u het apparaat aansluit op de voeding, moet u controleren of de zwaai van de deur moet veranderen van rechts (zoals geleverd) naar links, als dat nodig is voor de installatieplaats en de bruikbaarheid.



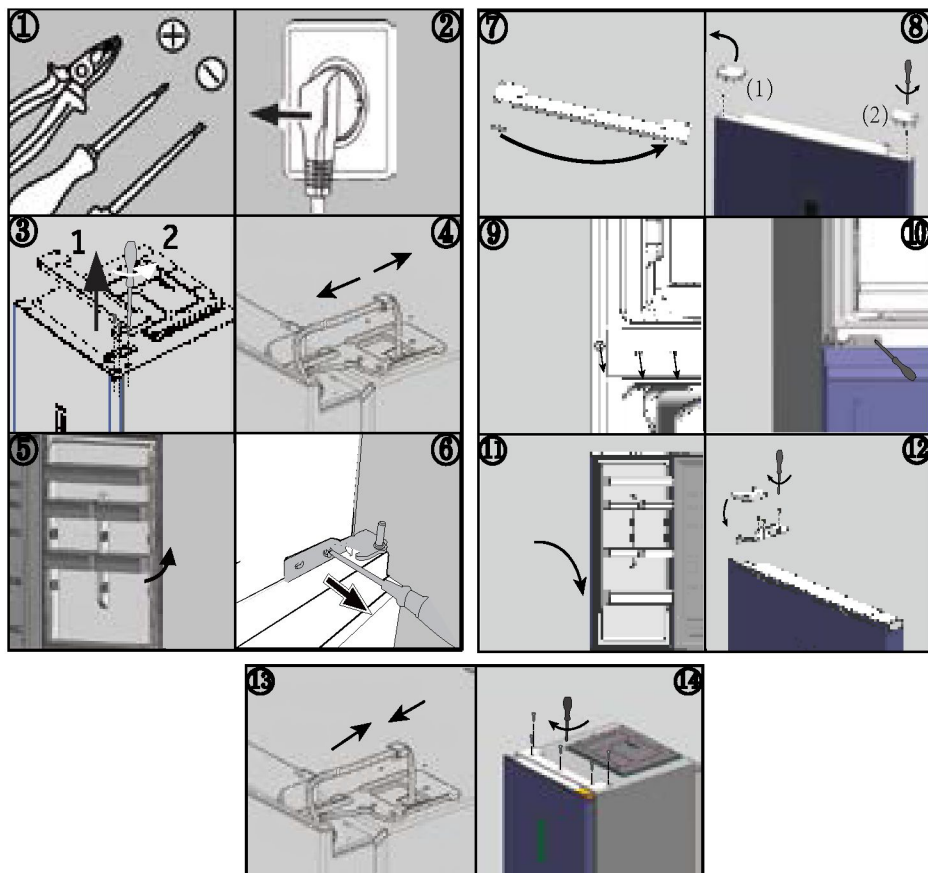
WAARSCHUWING!

- ▶ Het apparaat is zwaar. Er zijn twee personen nodig om de deur om te keren.
- ▶ Haal de stekker van het apparaat uit het stopcontact voordat u eraan gaat werken
- ▶ Kantel het apparaat niet meer dan 45° om schade aan het koelsysteem te voorkomen.

Montagestappen

1. Zorg voor het benodigde gereedschap.
2. Haal de stekker van het apparaat uit het stopcontact.
3. Verwijder de bovenste scharnierafdekking (1) en schroef het bovenste scharnier (drie schroeven) aan de rechterkant los (2).
4. Haal de stekker uit het stopcontact
5. Til de losse koelkastdeur voorzichtig van het middelste scharnier af.
6. Verwijder het middelste scharnier.
7. Verwijder de kleine afdekking van het voorpaneel van links naar rechts.
8. Draai de deur ondersteboven en schroef de afdekking (1) los. Pak de nieuwe afdekking (2) uit het benodigde zakje en schroef het aan de tegenoverliggende zijde vast.
9. Verander de posities van de afdichtpluggen en de schroef aan de zijkant.
10. Schroef het middelste scharnier aan de linkerkant van het apparaat vast. Let op dat u het draaipunt van het middelste scharnier omdraait, zodat de kant met de pakking naar boven wijst.
11. Til de bovenste deur voorzichtig op aan het middelste scharnier. Zorg ervoor dat het draaipunt in de scharnierschacht van de onderste deur past.
12. Neem het nieuwe bovenste scharnier en de scharnierafdekking uit de zak met accessoires. Steek de aansluitkabel door het bovenste scharnier en bevestig het bovenste scharnier met de drie schroeven aan de linkerkant van het apparaat. Plaats de scharnierafdekking over het scharnier.
13. Sluit de aansluitkabel aan.
14. Plaats het voorpaneel terug en zet het vast met vijf schroeven.

Controleer na de vervanging van de deur of de afdichtingen van de deur goed op de behuizing zitten en alle schroeven goed zijn vastgedraaid.



Omgevingstemperatuur

Subnormaal (SN): dit koelapparaat is bedoeld voor gebruik bij een omgevingstemperatuur van 10°C tot 32°C.

Normaal (N): dit koelapparaat is bedoeld voor gebruik bij een omgevingstemperatuur van 16°C tot 32°C.

Subtropisch (ST): dit koelapparaat is bedoeld voor gebruik bij een omgevingstemperatuur van 16°C tot 38°C.

Tropisch (T): dit koelapparaat is bedoeld voor gebruik bij een omgevingstemperatuur van 16°C tot 43°C.



Productparameters volgens verordening (EU)2019/2016

Gebaseerd op de resultaten van de standaardtest gedurende 24 uur. Het werkelijke energieverbruik is afhankelijk van de manier waarop het apparaat wordt gebruikt en de plaats waar het zich bevindt.

Model	HTW5618DN*	HTW5620DN*	HTW5618EN*
Type koelapparaat	Koelvriescombinatie	Koelvriescombinatie	Koelvriescombinatie
Energie-efficiëntieklasse	D	D	E
Jaarlijks energieverbruik (kWh/jaar)	217	226	271
Volume koelkastgedeelte (l)	201	255	201
Volume vriezergedeelte (l)	125	125	125
Volume koelcompartiment (l)	34	34	34
Vriesklasse	4 sterren	4 sterren	4 sterren
Type ontdooien	Automatisch ontdooien	Automatisch ontdooien	Automatisch ontdooien
Temperatuurstijgingstijd (uur)	13	13	11
Vriescapaciteit (kg/24 uur)	10,0	10,0	10,0
Klimaatklasse	SN.N.ST.T.	SN.N.ST.T.	SN.N.ST.T.
Geluidsemisieklassen en geluidsemisies via de lucht (dB(A) re 1 pW)	B(35)	B(35)	B(35)



Model	HTW5618CN*	HTW5620CN*	HTW5620EN*
Type koelapparaat	Koelvriescombinatie	Koelvriescombinatie	Koelvriescombinatie
Energie-efficiëntieklasse	C	C	E
Jaarlijks energieverbruik (kWh/jaar)	173	181	283
Volume koelkastgedeelte (l)	201	255	255
Volume vriezergedeelte (l)	125	125	125
Volume koelcompartiment (l)	34	34	34
Vriesklasse	4 sterren	4 sterren	4 sterren
Type ontdooien	Automatisch ontdooien	Automatisch ontdooien	Automatisch ontdooien
Temperatuurstijgingstijd (uur)	13	13	11
Vriescapaciteit (kg/24 uur)	10,0	10,0	10,0
Klimaatklasse	SN.N.ST.T.	SN.N.ST.T.	SN.N.ST.T.
Geluidsemisatieklasse en geluidsemisatie via de lucht (dB(A) re 1 pW)	B(35)	B(35)	B(35)



Model	HDPW5618DN*	HDPW5620DN* HDPW3620DN*	HTW7620CN*
Type koelapparaat	Koelvriescombinatie	Koelvriescombinatie	Koelvriescombinatie
Energie-efficiëntieklasse	D	D	C
Jaarlijks energieverbruik (kWh/jaar)	214	220	181
Volume koelkastgedeelte (l)	201	255	255
Volume vriezergedeelte (l)	117	117	125
Volume koelcompartiment (l)	34	34	34
Vriesklasse	4 sterren	4 sterren	4 sterren
Type ontdooien	Automatisch ontdooien	Automatisch ontdooien	Automatisch ontdooien
Temperatuurstijgingstijd (uur)	13	13	13
Vriescapaciteit (kg/24 uur)	10,0	10,0	10,0
Klimaatklasse	SN.N.ST.T.	SN.N.ST.T.	SN.N.ST.T.
Geluidsemisatieklasse en geluidsemisatie via de lucht (dB(A) re 1 pW)	B(35)	B(35)	B(35)



Model	HDPW3618DN*	HDPW3620CN*	HTW3620DN*
Type koelapparaat	Koelvriescombinatie	Koelvriescombinatie	Koelvriescombinatie
Energie-efficiëntieklasse	D	C	D
Jaarlijks energieverbruik (kWh/jaar)	214	176	226
Volume koelkastgedeelte (l)	201	255	255
Volume vriezergedeelte (l)	117	117	125
Volume koelcompartiment (l)	34	34	34
Vriesklasse	4 sterren	4 sterren	4 sterren
Type ontdooien	Automatisch ontdooien	Automatisch ontdooien	Automatisch ontdooien
Temperatuurstijgingstijd (uur)	13	13	13
Vriescapaciteit (kg/24 uur)	10,0	10,0	10,0
Klimaatklasse	SN.N.ST.T.	SN.N.ST.T.	SN.N.ST.T.
Geluidsemisatieklasse en geluidsemisatie via de lucht (dB(A) re 1 pW)	B(35)	B(35)	B(35)



Model	HDPW5618CN*	HDPW5620CN*	HDPW5620AN* HDPW7620AN*
Type koelapparaat	Koelvriescombinatie	Koelvriescombinatie	Koelvriescombinatie
Energie-efficiëntieklasse	C	C	A
Jaarlijks energieverbruik (kWh/jaar)	171	176	114
Volume koelkastgedeelte (l)	201	255	255
Volume vriezergedeelte (l)	117	117	120
Volume koelcompartiment (l)	34	34	34
Vriesklasse	4 sterren	4 sterren	4 sterren
Type ontdooien	Automatisch ontdooien	Automatisch ontdooien	Automatisch ontdooien
Temperatuurstijgingstijd (uur)	13	13	16
Vriescapaciteit (kg/24 uur)	10,0	10,0	10,0
Klimaatklasse	SN.N.ST.T.	SN.N.ST.T.	SN.N.ST.T.
Geluidsemisatieklasse en geluidsemisatie via de lucht (dB(A) re 1 pW)	B(35)	B(35)	B(35)



Model	HDPW5620BN*	HTW7620DN*	HDPW7620AAN*
Type koelapparaat	Koelvriescombinatie	Koelvriescombinatie	Koelvriescombinatie
Energie-efficiëntieklasse	B	D	A
Jaarlijks energieverbruik (kWh/jaar)	142	226	92
Volume koelkastgedeelte (l)	255	255	255
Volume vriezergedeelte (l)	120	125	120
Volume koelcompartiment (l)	34	34	34
Vriesklasse	4 sterren	4 sterren	4 sterren
Type ontdooien	Automatisch ontdooien	Automatisch ontdooien	Automatisch ontdooien
Temperatuurstijgingstijd (uur)	13	13	16
Vriescapaciteit (kg/24 uur)	10,0	10,0	12,0
Klimaatklasse	SN.N.ST.T.	SN.N.ST.T.	SN.N.ST.T.
Geluidsemisatieklasse en geluidsemisatie via de lucht (dB(A) re 1 pW)	B(35)	B(35)	B(35)



Model	HTW5618DW*		
Type koelapparaat	Koelvriescombinatie		
Energie-efficiëntieklasse	D		
Jaarlijks energieverbruik (kWh/jaar)	216		
Volume koelkastgedeelte (l)	198		
Volume vriezergedeelte (l)	125		
Volume koelcompartiment (l)	34		
Vriesklasse	4 sterren		
Type ontdooien	Automatisch ontdooien		
Temperatuurstijgingstijd (uur)	13		
Vriescapaciteit (kg/24 uur)	10,0		
Klimaatklasse	SN.N.ST.T.		
Geluidsemisieklassie en geluidsemisie via de lucht (dB(A) re 1 pW)	B(35)		



Aanvullende technische gegevens

Model	HTW5618DN*	HTW5618EN*	HTW5620DN*
Totaal volume (liter)	360	360	414
Spanning/frequentie	220–240 V ~/50 Hz	220–240 V ~/50 Hz	220–240 V ~/50 Hz
Ingangsstroom (A)	1,4	1,4	1,4
Belangrijkste zekering (A)	16	16	16
Koelmiddel	R600a (53 g)	R600a (53 g)	R600a (53 g)
Afmetingen (BxDxH in mm)	595x667x1850	595x667x1850	595x667x2050

Model	HTW5618CN*	HTW5620CN*	HTW5620EN*
Totaal volume (liter)	360	414	414
Spanning/frequentie	220–240 V ~/50 Hz	220–240 V ~/50 Hz	220–240 V ~/50 Hz
Ingangsstroom (A)	1,4	1,4	1,4
Belangrijkste zekering (A)	15	15	16
Koelmiddel	R600a (50 g)	R600a (50 g)	R600a (53 g)
Afmetingen (BxDxH in mm)	595x667x1850	595x667x2050	595x667x2050



Model	HDPW5618DN*	HDPW5620DN*	HDPW3620DN*
Totaal volume (liter)	352	406	406
Spanning/frequentie	220–240 V ~/50 Hz	220–240 V ~/50 Hz	220–240 V ~/50 Hz
Ingangsstroom (A)	1,4	1,4	1,4
Belangrijkste zekering (A)	16	16	16
Koelmiddel	R600a (53 g)	R600a (53 g)	R600a (53 g)
Afmetingen (BxDxH in mm)	595x667x1850	595x667x2050	595x667x2050

Model	HDPW5618CN*	HDPW5620CN*	HDPW5620AN*
Totaal volume (liter)	352	406	409
Spanning/frequentie	220–240 V ~/50 Hz	220–240 V ~/50 Hz	220–240 V ~/50 Hz
Ingangsstroom (A)	1,4	1,4	1,4
Belangrijkste zekering (A)	15	15	16
Koelmiddel	R600a (50 g)	R600a (50 g)	R600a (50 g)
Afmetingen (BxDxH in mm)	595x667x1850	595x667x2050	595x667x2050



Aanvullende technische gegevens

Model	HDPW3618DN*	HDPW3620CN*	HTW3620DN*
Totaal volume (liter)	352	406	414
Spanning/frequentie	220–240 V ~/50 Hz	220–240 V ~/50 Hz	220–240 V ~/50 Hz
Ingangsstroom (A)	1,4	1,4	1,4
Belangrijkste zekering (A)	16	15	16
Koelmiddel	R600a (53 g)	R600a (50 g)	R600a (53 g)
Afmetingen (BxDxH in mm)	595x667x1850	595x667x2050	595x667x2050

Model	HDPW7620AAN*	HDPW5620BN*	HDPW7620AN*
Totaal volume (liter)	409	409	409
Spanning/frequentie	220–240 V ~/50 Hz	220–240 V ~/50 Hz	220–240 V ~/50 Hz
Ingangsstroom (A)	1,4	1,4	1,4
Belangrijkste zekering (A)	16	16	16
Koelmiddel	R600a (55g)	R600a (50 g)	R600a (50 g)
Afmetingen (BxDxH in mm)	595x667x2050	595x667x2050	595x667x2050

**Aanvullende technische gegevens**

Model	HTW7620DN*	HTW7620CN*	HTW5618DW*
Totaal volume (liter)	414	414	357
Spanning/frequentie	220–240 V ~/50 Hz	220–240 V ~/50 Hz	220–240 V ~/50 Hz
Ingangsstroom (A)	1,4	1,4	1,4
Belangrijkste zekering (A)	16	15	16
Koelmiddel	R600a (53 g)	R600a (50 g)	R600a (53 g)
Afmetingen (BxDxH in mm)	595x667x2050	595x667x2050	595x667x1850



Wij adviseren onze Haier-klantenservice en het gebruik van originele onderdelen. Als u een probleem hebt met uw apparaat, controleer dan eerst het hoofdstuk **PROBLEMEN OPLOSSEN**.

Als u daar geen oplossing kunt vinden, neem dan contact op met

- ▶ uw plaatselijke dealer; of
- ▶ ons Europese service-callcentrum (zie onderstaande telefoonnummers); of
- ▶ het gedeelte Service & Support op www.haier.com, waar u de serviceclaim kunt activeren
- ▶ en ook veelgestelde vragen kunt vinden.

Om contact op te nemen met onze klantenservice, moet u ervoor zorgen dat u over de volgende gegevens beschikt.

De informatie is te vinden op het typeplaatje.

Model _____

Serienummer _____

Controleer ook de garantiekaart die met het product is meegeleverd in geval van garantie.

Europees service-callcentrum		
Land*	Telefoonnummer	Kosten
Haier Italy (IT)	199 100 912	
Haier Spain (ES)	902 509 123	
Haier Germany (DE)	0180 5 39 39 99	<ul style="list-style-type: none"> • 14 ct/min – vaste lijn • max. 42 ct/min – mobiel
Haier Austria (AT)	0820 001 205	<ul style="list-style-type: none"> • 14,53 ct/min – vaste lijn • max. 20 ct/min – alle andere
Haier United Kingdom (UK)	0333 003 8122	
Haier France (FR)	0980 406 409	



* Voor andere landen verwijzen wij u naar www.haier.com

Haier Europe Trading S.r.l

Branch UK

Westgate House, Westgate, Ealing

London, W5 1YY, Verenigd Koninkrijk

*Duur van de garantie van het koelapparaat:

De minimumgarantie is: 2 jaar voor EU-landen, 3 jaar voor Turkije, 1 jaar voor het Verenigd Koninkrijk, 1 jaar voor Rusland, 3 jaar voor Zweden, 2 jaar voor Servië, 5 jaar voor Noorwegen, 1 jaar voor Marokko, 6 maanden voor Algerije, Tunesië geen wettelijke garantie vereist.

*De beschikbaarheidsperiode van reserveonderdelen voor reparatie van het apparaat:

Thermostaten, temperatuursensoren, printplaten en lichtbronnen zijn gedurende minimaal zeven jaar na het op de markt brengen van de laatste eenheid van het model beschikbaar.

Deurgrepen, deurscharnieren, bakken en manden voor een minimale periode van zeven jaar en deurpakkingen ten minste 10 jaar na het op de markt brengen van de laatste eenheid van het model.

*Raadpleeg voor meer informatie over het product <https://eprel.ec.europa.eu/> of scan de QR-code op het energielabel dat met het apparaat wordt meegeleverd.

5 Informacje dotyczące bezpieczeństwa

Przed pierwszym użyciem 6

Instalacja 6

Codzienne użytkowanie 7

10 Przeznaczenie**11 Opis produktu****22 Panel sterowania****23 Użytkowanie**

Wyreguluj temperaturę chłodziarki 24

Ustaw temperaturę zamrażarki 24

Ustaw temperaturę My Zone 24

Funkcja Super Cool 25

Funkcja Super Freeze 26

31 Sprzęt**35 Wskazówki dotyczące oszczędzania energii****36 Pielęgnacja i czyszczenie****39 Usuwanie usterek****43 Instalacja****47 Dane techniczne****58 Obsługa klienta**

Aby wyświetlić szczegółowe informacje, kliknij odpowiednią pozycję spisu treści.



Dziękujemy za zakup produktu firmy Haier.

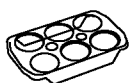
Przed użyciem urządzenia należy dokładnie przeczytać niniejsze instrukcje. Instrukcje zawierają ważne informacje, które pomogą możliwie najlepiej wykorzystać funkcje urządzenia, bezpiecznie i prawidłowo je zainstalować, eksploatować oraz konserwować.

Niniejszą instrukcję obsługi należy przechowywać w dostępnym miejscu, aby móc z niej zawsze skorzystać w celu bezpiecznego i właściwego użytkowania urządzenia.

Przy sprzedaży urządzenia należy do niego dołączyć niniejszą instrukcję obsługi, a w przypadku przeprowadzki przekazać ją nowemu właścicielowi, aby mógł się zapoznać z urządzeniem i ostrzeżeniami dotyczącymi bezpieczeństwa.

Akcesoria

Sprawdź akcesoria i materiały zgodnie z tą listą:



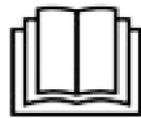
Tacka na jajka



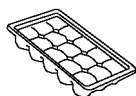
Etykieta
wydajności
energetycznej



Karta
gwarancyjna



Instrukcja obsługi



Tacka na lód



Zawiasy drzwi



Ośłona zawiasu



Wkładka nasadki



OSTRZEŻENIE – Ważne informacje dotyczące bezpieczeństwa



UWAGA - Ogólne informacje i wskazówki



Informacje dotyczące ochrony środowiska

Utylizacja



Pomóż chronić środowisko i ludzkie zdrowie. Wyrzuć opakowanie do odpowiednich pojemników do recyklingu. Pomóż w recyklingu odpadów z urządzeń elektrycznych i elektronicznych. Nie wyrzucaj urządzeń oznaczonych tym symbolem razem z odpadami domowymi. Oddaj produkt do miejscowego zakładu recyklingu lub skontaktuj się z urzędem miejskim.



OSTRZEŻENIE!

Ryzyko obrażeń lub uduszenia!

Czynniki chłodnicze i gazy muszą być utylizowane w profesjonalny sposób. Przed utylizacją upewnij się, że przewody układu chłodniczego nie są uszkodzone. Odłącz urządzenie od zasilania sieciowego. Odetnij przewód zasilający i zutylizuj go. Usuń tace i szuflady oraz zamek drzwi i uszczelki, aby zapobiec zamknięciu się dzieci i zwierząt w urządzeniu.



Przed włączeniem urządzenia po raz pierwszy przeczytaj poniższe wskazówki dotyczące bezpieczeństwa!



OSTRZEŻENIE!

Przed pierwszym użyciem

- ▶ Upewnij się, że nie ma uszkodzeń powstałych podczas transportu.
- ▶ Usuń wszystkie opakowania i przechowuj w miejscu niedostępnym dla dzieci.
- ▶ Odczekaj co najmniej dwie godziny przed zainstalowaniem urządzenia, aby upewnić się, że obwód czynnika chłodniczego jest w pełni efektywny.
- ▶ Zawsze przenoś urządzenie z pomocą co najmniej dwóch osób, ponieważ jest ono ciężkie.

Instalacja

- ▶ Urządzenie powinno być umieszczone w dobrze wentylowanym miejscu. Zapewnij przestrzeń co najmniej 10 cm nad urządzeniem i wokół niego.
- ▶ Nigdy nie umieszczaj urządzenia w wilgotnym miejscu lub w takim, w którym może być ochlapanie wodą. Zetrzyj plamy i zachlapania do sucha miękką i czystą ściereczką.
- ▶ Nie instaluj urządzenia w miejscu, w którym będzie narażone na bezpośrednie działanie słońca lub w pobliżu źródeł ciepła (np. pieców, grzejników).
- ▶ Zainstaluj i wypoziomuj urządzenie w miejscu odpowiednim dla jego wielkości i przeznaczenia.
- ▶ Należy dbać o drożność otworów wentylacyjnych w obudowie urządzenia wolnostojącego lub w konstrukcji do zabudowy.
- ▶ Upewnij się, że informacje dotyczące elektryki na tabliczce znamionowej są zgodne z parametrami zasilania. Jeśli tak nie jest, skontaktuj się z elektrykiem.
- ▶ Urządzenie jest zasilane prądem 220–240 V AC/50 Hz. Odbiegające od normy wahania napięcia mogą spowodować niewłączenie się urządzenia albo uszkodzenie regulatora temperatury lub sprężarki. Mogą też być przyczyną nietypowego hałasu podczas pracy. W takim przypadku powinien zostać zamontowany automatyczny regulator.
- ▶ Nie używaj adapterów wtyczek i przedłużaczy.
- ▶ Za urządzeniem nie należy umieszczać kilku listew zasilających ani przenośnych zasilaczy.
- ▶ Upewnij się, że kabel zasilający nie jest przytrzaśnięty przez chłodziarkę. Nie stawaj na przewodzie zasilającym.



OSTRZEŻENIE!

- ▶ Używaj oddzielnego, łatwo dostępnego i uziemionego gniazdka. Urządzenie musi być uziemione.
Dotyczy tylko Wielkiej Brytanii: Kabel zasilający urządzenie jest wyposażony we wtyczkę z 3 bolcami (z uziemieniem), która pasuje do standardowego gniazda z 3 przewodami (z uziemieniem). Nigdy nie odcinaj ani nie demontuj trzeciego bolca (z uziemieniem). Po zainstalowaniu urządzenia wtyczka powinna być łatwo dostępna.
- ▶ Uważaj, aby nie uszkodzić obwodu chłodniczego.

Codzienne użytkowanie

- ▶ Urządzenie może być obsługiwane przez dzieci powyżej 8 roku życia i przez osoby o ograniczonych możliwościach fizycznych, sensorycznych lub umysłowych lub osoby nieposiadające doświadczenia ani wiedzy pod warunkiem, że są one pod odpowiednim nadzorem lub zostały poinstruowane, jak bezpiecznie obsługiwać urządzenie i rozumieją związane z nim zagrożenia.
- ▶ Dzieciom w wieku od 3 do 8 lat wolno ładować i rozładowywać, ale nie wolno czyścić ani instalować urządzeń chłodniczych.
- ▶ Trzymaj z dala od urządzenia dzieci poniżej 3 roku życia, chyba że są pod stałym nadzorem.
- ▶ Dzieci nie powinny bawić się urządzeniem.
- ▶ Jeśli czynnik chłodniczy lub inny łatwopalny gaz wycieka w pobliżu urządzenia, zamknij zawór wyciekającego gazu, otwórz drzwi oraz okna i nie odłączaj kabla zasilającego chłodziarki lub innego urządzenia.
- ▶ Zwróć uwagę, że urządzenie jest ustawione do pracy w określonym zakresie temperatur pomiędzy 10 a 43°C. Chłodziarka może nie pracować prawidłowo, jeśli pozostanie na dłuższy czas w temperaturze powyżej lub poniżej podanego zakresu.
- ▶ Na chłodziarce nie należy umieszczać niestabilnych przedmiotów (ciężkich przedmiotów, pojemników wypełnionych wodą), aby uniknąć obrażeń ciała spowodowanych upadkiem lub porażeniem prądem elektrycznym w wyniku kontaktu z wodą.
- ▶ Nie ciągnij za półki drzwiowe. Drzwi mogą być pochylone, stojak na butelki może zostać wyciągnięty lub urządzenie może się przewrócić.
- ▶ Otwieraj i zamykaj drzwi tylko za pomocą klamek. Szczelina między drzwiami a obudową jest bardzo wąska. Nie trzymaj rąk w tych obszarach, aby uniknąć przycięcia palców. Otwieraj i zamykaj drzwi chłodziarki tylko wtedy, gdy nie ma dzieci stojących w obrębie ruchu drzwi.



OSTRZEŻENIE!

- ▶ Nie przechowuj ani nie używaj materiałów łatwopalnych, wybuchowych lub żrących w urządzeniu lub w jego sąsiedztwie.
- ▶ Nie należy przechowywać w urządzeniu leków, bakterii lub substancji chemicznych. To urządzenie jest urządzeniem gospodarstwa domowego. Nie zaleca się przechowywania materiałów, które wymagają ściśle określonej temperatury.
- ▶ Nigdy nie przechowuj płynów w butelkach lub puszkach (oprócz alkoholi wysokoprocentowych), zwłaszcza napojów gazowanych w zamrażarce, ponieważ mogą one pęknąć podczas zamrażania.
- ▶ Sprawdź stan żywności, jeśli w zamrażarce miało miejsce zwiększenie temperatury.
- ▶ Nie ustawiaj niepotrzebnie niskiej temperatury w komorze chłodziarki. Ujemne temperatury mogą wystąpić przy wysokich ustawieniach. Uwaga: Butelki mogą wybuchnąć
- ▶ Nie dotykaj zamrożonych towarów mokrymi rękami (załóż rękawiczki). Szczególnie nie należy jeść lizaków lodowych bezpośrednio po wyjęciu z komory zamrażarki. Istnieje ryzyko przymarznięcia naskórka lub powstania pęcherzy. PIERWSZA pomoc: Natychmiast polej miejsce przymarznięcia bieżącą zimną wodą. Nie odrywaj!
- ▶ Nie dotykaj wnętrza komory zamrażarki podczas pracy, zwłaszcza mokrymi rękami, ponieważ mogą one przymarznąć do jej powierzchni.
- ▶ Odłącz urządzenie w przypadku przerwy w zasilaniu lub przed czyszczeniem. Nie uruchamiaj ponownie urządzenia przez co najmniej 7 minut, ponieważ szybkie włączenie może doprowadzić do uszkodzenia sprężarki.
- ▶ Nie używaj urządzeń elektrycznych wewnątrz komór do przechowywania żywności, chyba że są to urządzenia typu zalecanego przez producenta. Konserwacja / czyszczenie
- ▶ Upewnij się, że dzieci są nadzorowane podczas czyszczenia i konserwacji urządzenia.
- ▶ Przed przystąpieniem do rutynowej konserwacji należy odłączyć urządzenie od zasilania elektrycznego. Odczekaj co najmniej 5 minut przed ponownym uruchomieniem urządzenia, ponieważ częste uruchamianie może uszkodzić sprężarkę.

**OSTRZEŻENIE!**

- ▶ Podczas odłączania urządzenia trzymaj za wtyczkę, a nie za przewód.
- ▶ Nie czyść urządzenia za pomocą twardych szczotek, szczotek drucianych, detergentów proszkowych, benzyny, octanu amylu, acetonu i podobnych roztworów organicznych, kwasu lub roztworów alkalicznych. Do czyszczenia należy używać specjalnego detergentu do chłodziarek, aby uniknąć uszkodzenia.
- ▶ Nie zeszkrobuj szronu i lodu ostrymi przedmiotami. Nie używaj rozpylaczy, grzejników elektrycznych, takich jak suszarka do włosów, myjek parowych lub innych źródeł ciepła, aby uniknąć uszkodzenia plastikowych części.
- ▶ Nie używaj urządzeń mechanicznych ani innych środków do przyspieszania procesu rozmrażania, chyba że są one zalecane przez producenta.
- ▶ Jeśli kabel zasilający ulegnie uszkodzeniu, dla bezpieczeństwa należy zlecić jego wymianę producentowi, autoryzowanemu serwisowi lub osobom o podobnych kwalifikacjach.
- ▶ Nie należy próbować samodzielnie naprawiać, demontować ani modyfikować urządzenia. W przypadku konieczności naprawy prosimy o kontakt z naszym działem obsługi klienta.
- ▶ Usuń kurz z tyłu urządzenia co najmniej raz w roku, aby uniknąć zagrożenia ogniem, a także zwiększonego zużycia energii.
- ▶ Nie używaj aerozolu ani nie przepłukuj urządzenia podczas czyszczenia.
- ▶ Nie używaj wody lub pary do czyszczenia urządzenia.
- ▶ Nie czyść zimnych szklanych półek gorącą wodą. Nagła zmiana temperatury może spowodować pęknięcie szkła.

Informacje dotyczące czynnika chłodniczego**OSTRZEŻENIE!**

Urządzenie zawiera łatwopalny czynnik chłodniczy IZOBUTAN (R600a). Upewnij się, że układ chłodniczy nie został uszkodzony podczas transportu lub instalacji. Wyciek czynnika może spowodować uszkodzenie wzroku lub zapalenie. Jeśli wystąpiło uszkodzenie, trzymaj urządzenie z dala od otwartych źródeł ognia, dokładnie przewietrz pomieszczenie, nie podłączaj ani nie odłączaj kabli zasilających tego lub innego urządzenia. Poinformuj obsługę klienta.

W przypadku kontaktu czynnika chłodniczego z oczami natychmiast przepłucz je pod bieżącą wodą i natychmiast skontaktuj się z okulistą.



Przeznaczenie

To urządzenie jest przeznaczone do chłodzenia i zamrażania żywności. Zostało zaprojektowane wyłącznie do użytku w gospodarstwach domowych i podobnych zastosowaniach, takich jak pomieszczenia kuchenne dla personelu w sklepach, biurach i innych środowiskach pracy; w gospodarstwach rolnych oraz przez klientów w hotelach, motelach i innych obiektach mieszkalnych, a także w pensjonatach i gastronomii. Nie jest przeznaczone do użytku komercyjnego ani przemysłowego.

Zmiany lub modyfikacje urządzenia są niedozwolone. Użycie niezgodne z przeznaczeniem może spowodować zagrożenie i utratę roszczeń gwarancyjnych.

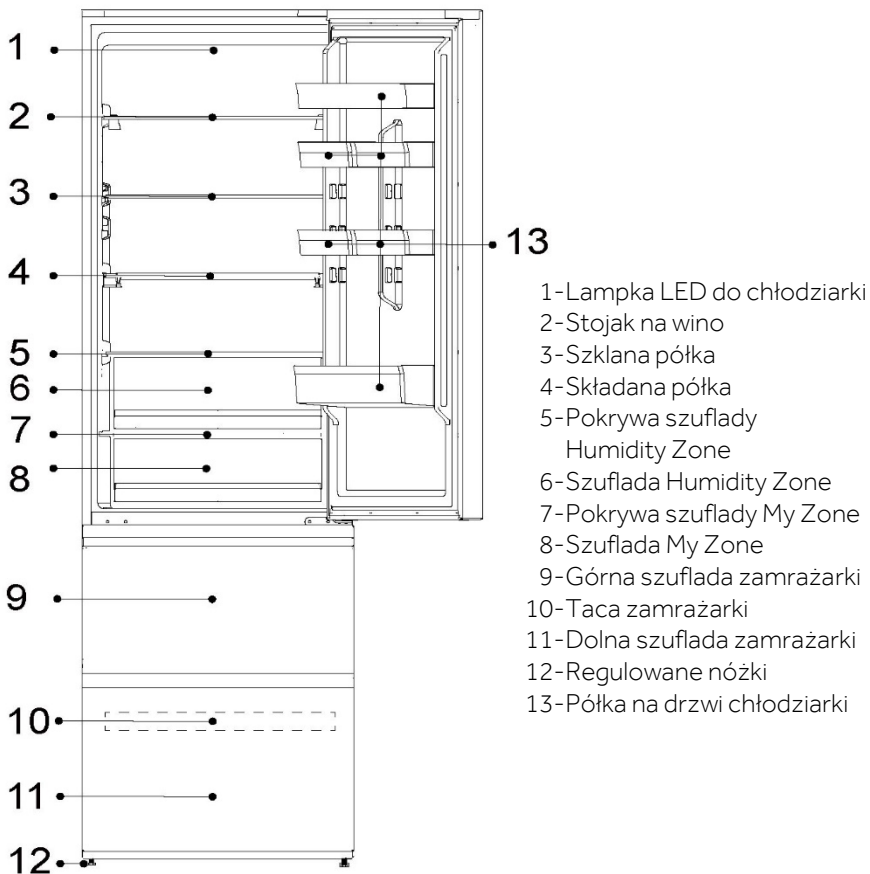
Normy i dyrektywy **CE**

Produkt ten spełnia wymagania wszystkich obowiązujących dyrektyw UE z odpowiednimi normami zharmonizowanymi, które przewidują oznakowanie CE.

i UWAGA

Z powodu zmian technicznych i różnych modeli, niektóre ilustracje w tej instrukcji mogą się różnić od modelu.

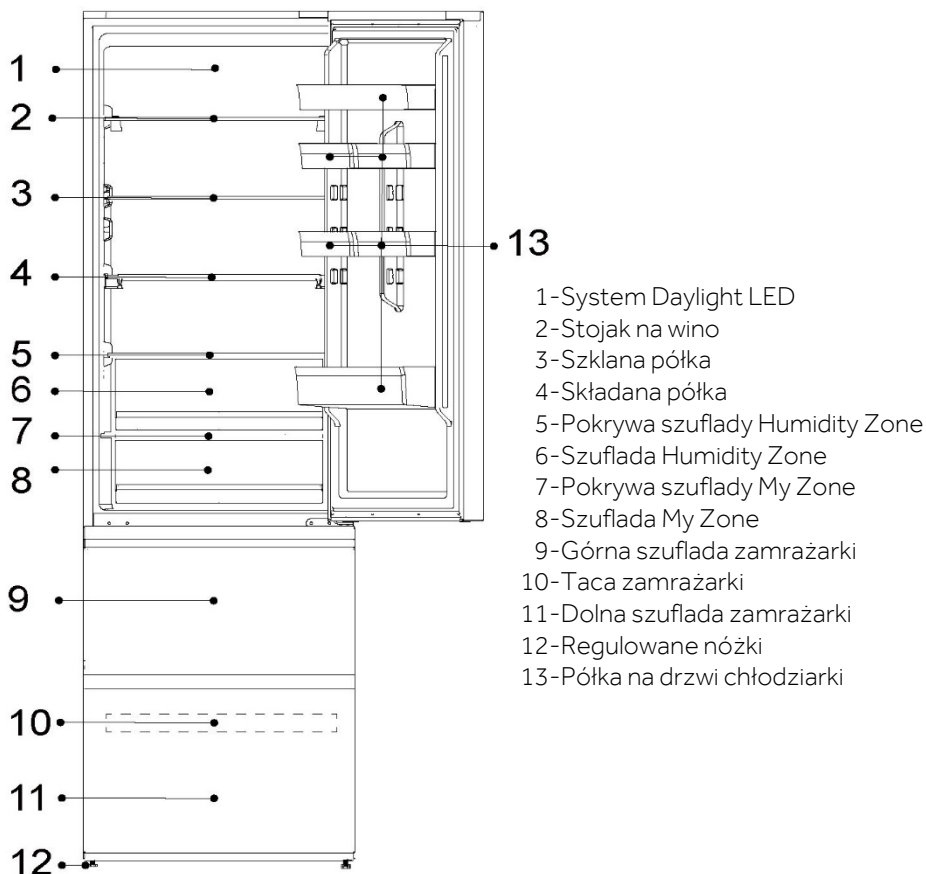
(HTW5620DN*, HTW5620CN*, HTW5620EN*)



i UWAGA

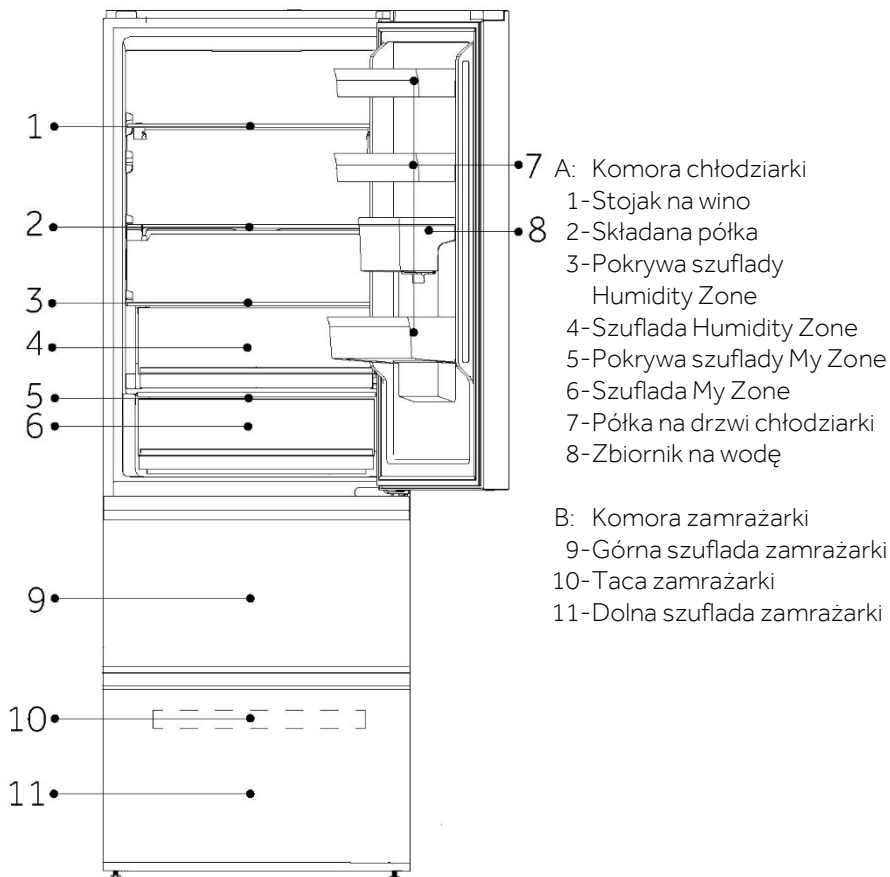
Z powodu zmian technicznych i różnych modeli, niektóre ilustracje w tej instrukcji mogą się różnić od modelu.

(HTW7620AN*, HTW7620CN*, HTW7620DN*)



i UWAGA

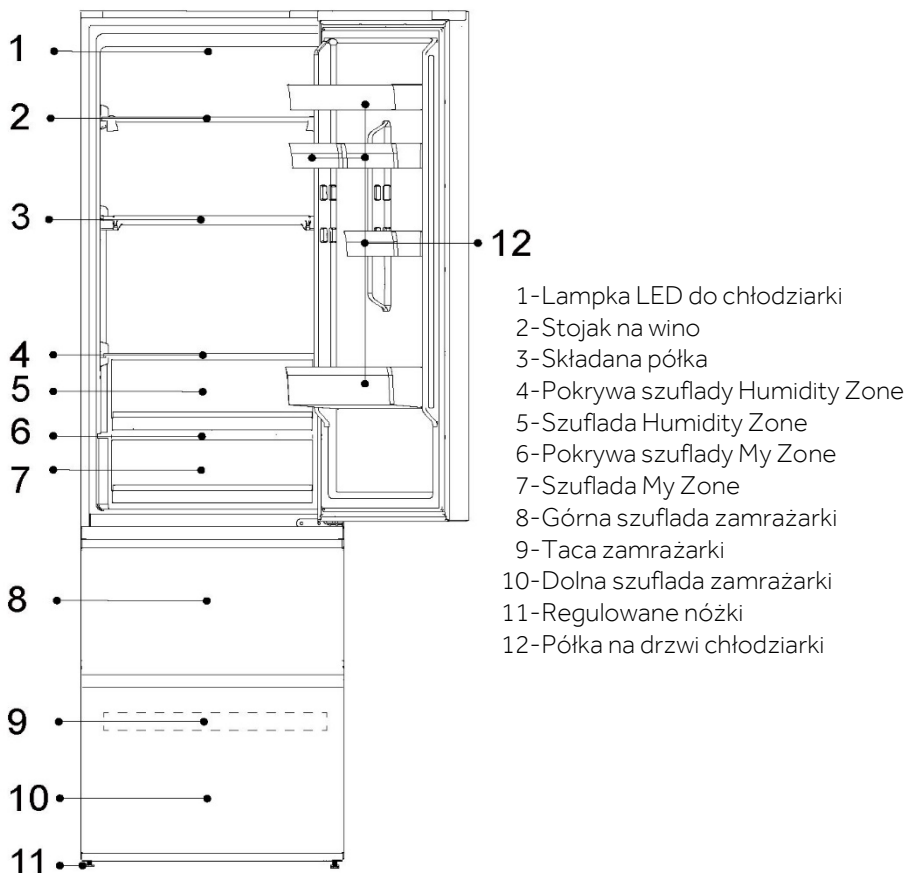
Z powodu zmian technicznych i różnych modeli, niektóre ilustracje w tej instrukcji mogą się różnić od modelu.
(HTW5618DW*)



i UWAGA

Z powodu zmian technicznych i różnych modeli, niektóre ilustracje w tej instrukcji mogą się różnić od modelu.

(HTW5618DN*, HTW5618CN*, HTW5618EN*)

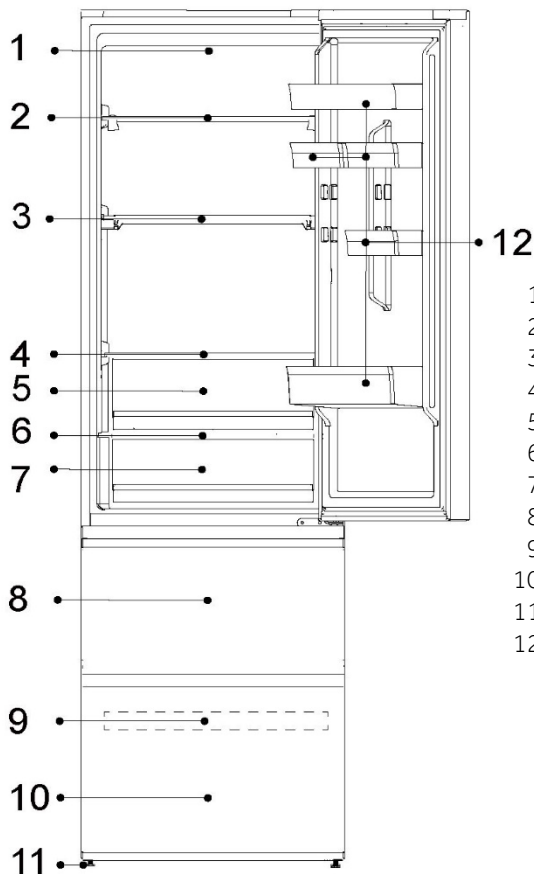


- 1-Lampka LED do chłodziarki
- 2-Stojak na wino
- 3-Składana półka
- 4-Pokrywa szuflady Humidity Zone
- 5-Szuflada Humidity Zone
- 6-Pokrywa szuflady My Zone
- 7-Szuflada My Zone
- 8-Górna szuflada zamrażarki
- 9-Taca zamrażarki
- 10-Dolna szuflada zamrażarki
- 11-Regulowane nóżki
- 12-Półka na drzwi chłodziarki

**i UWAGA**

Z powodu zmian technicznych i różnych modeli, niektóre ilustracje w tej instrukcji mogą się różnić od modelu.

(HTW3620DN*)

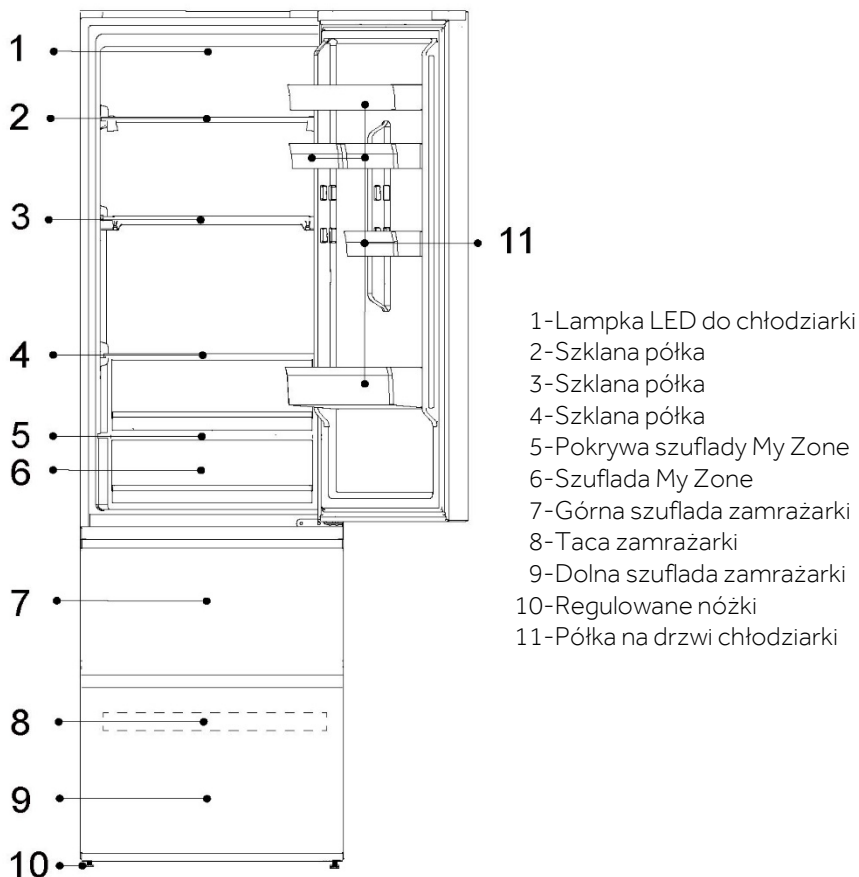


- 1-Lampka LED do chłodziarki
- 2-Szklana półka
- 3-Szklana półka
- 4-Szklana półka
- 5-Szklana półka
- 6-Pokrywa szuflady My Zone
- 7-Szuflada My Zone
- 8-Górna szuflada zamrażarki
- 9-Taca zamrażarki
- 10-Dolna szuflada zamrażarki
- 11-Regulowane nóżki
- 12-Półka na drzwi chłodziarki

i UWAGA

Z powodu zmian technicznych i różnych modeli, niektóre ilustracje w tej instrukcji mogą się różnić od modelu.

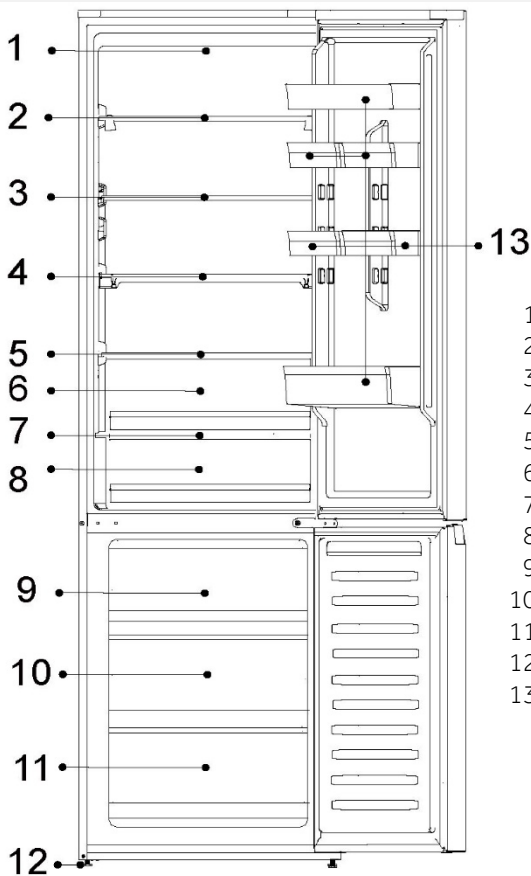
(HTW3618DN*, HTW3618CN*, HTW3618EN*)



i UWAGA

Z powodu zmian technicznych i różnych modeli, niektóre ilustracje w tej instrukcji mogą się różnić od modelu.

(HDPW5620DN*, HDPW5620CN*, HDPW5620AN*, HDPW5620BN*)

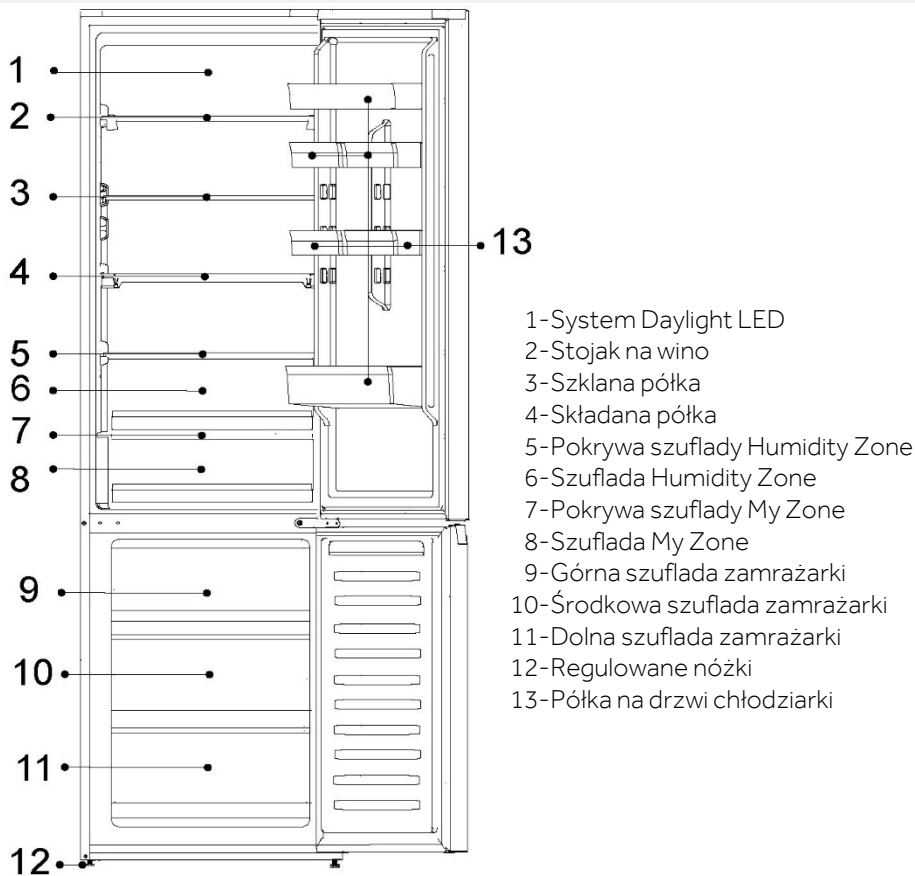


- 1-Lampka LED do chłodziarki
- 2-Stojak na wino
- 3-Szklana półka
- 4-Składana półka
- 5-Pokrywa szuflady Humidity Zone
- 6-Szuflada Humidity Zone
- 7-Pokrywa szuflady My Zone
- 8-Szuflada My Zone
- 9-Górna szuflada zamrażarki
- 10-Środkowa szuflada zamrażarki
- 11-Dolna szuflada zamrażarki
- 12-Regulowane nóżki
- 13-Półka na drzwi chłodziarki

i UWAGA

Z powodu zmian technicznych i różnych modeli, niektóre ilustracje w tej instrukcji mogą się różnić od modelu.

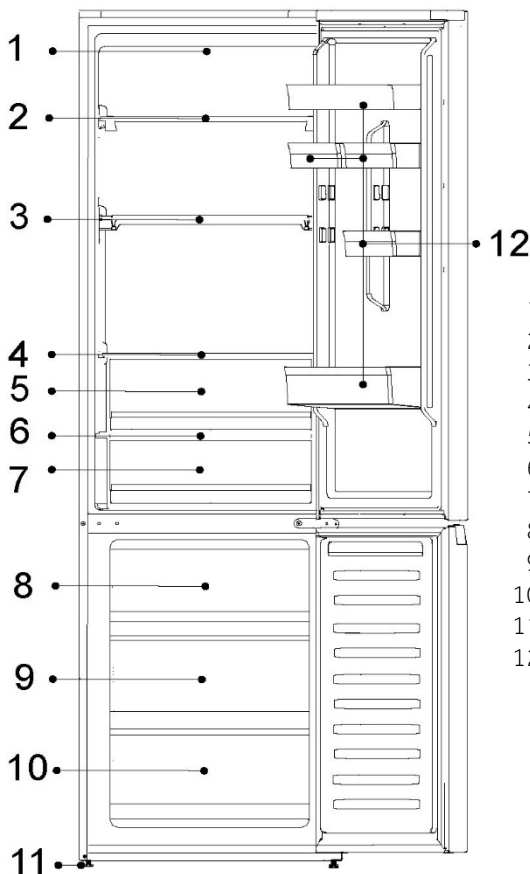
(HDPW7620AN*, HDPW7620AAN*)



i UWAGA

Z powodu zmian technicznych i różnych modeli, niektóre ilustracje w tej instrukcji mogą się różnić od modelu.

(HDPW5618DN*, HDPW5618CN*)

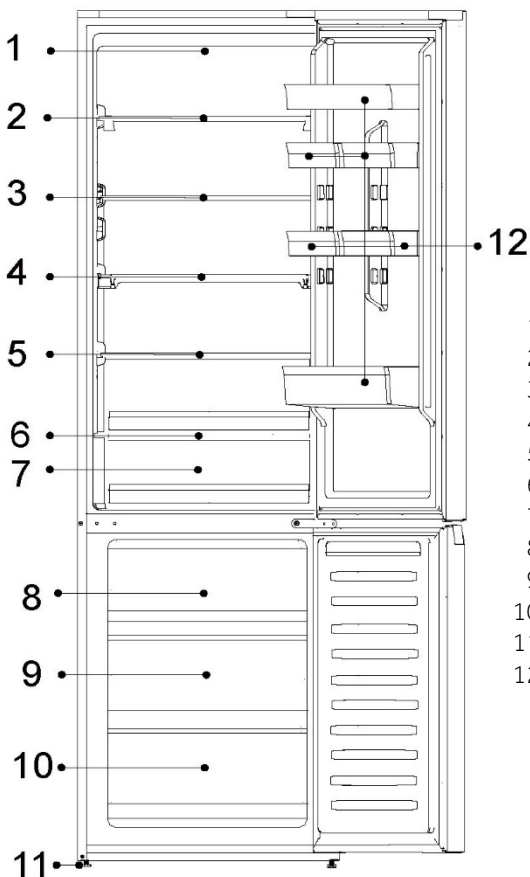


- 1-Lampka LED do chłodziarki
- 2-Stojak na wino
- 3-Składana półka
- 4-Pokrywa szuflady Humidity Zone
- 5-Szuflada Humidity Zone
- 6-Pokrywa szuflady My Zone
- 7-Szuflada My Zone
- 8-Górna szuflada zamrażarki
- 9-Środkowa szuflada zamrażarki
- 10-Dolna szuflada zamrażarki
- 11-Regulowane nóżki
- 12-Półka na drzwi chłodziarki

i UWAGA

Z powodu zmian technicznych i różnych modeli, niektóre ilustracje w tej instrukcji mogą się różnić od modelu.

(HDPW3620DN*, HDPW3620CN*)

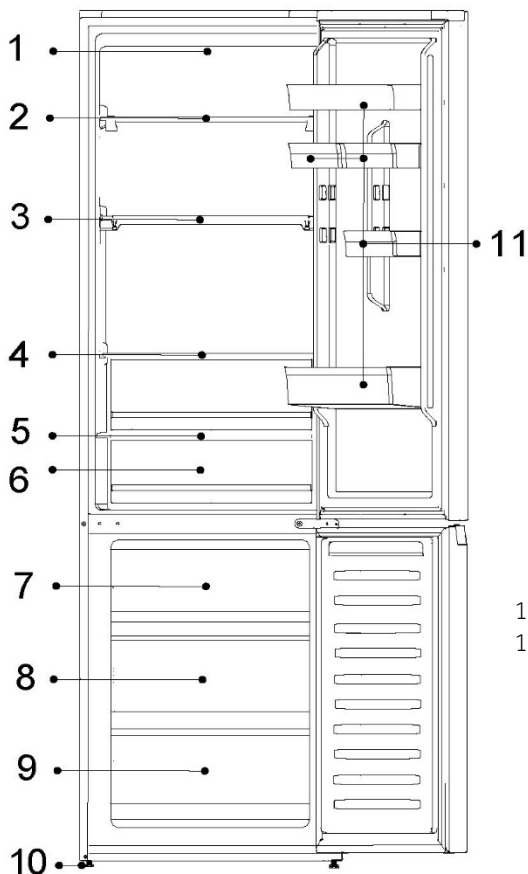


- 1-Lampka LED do chłodziarki
- 2-Szklana półka
- 3-Szklana półka
- 4-Szklana półka
- 5-Szklana półka
- 6-Pokrywa szuflady My Zone
- 7-Szuflada My Zone
- 8-Górna szuflada zamrażarki
- 9-Środkowa szuflada zamrażarki
- 10-Dolna szuflada zamrażarki
- 11-Regulowane nóżki
- 12-Półka na drzwi chłodziarki

i UWAGA

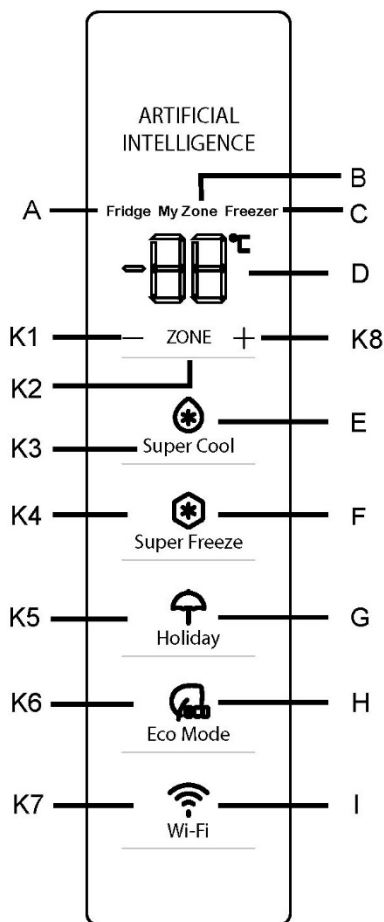
Z powodu zmian technicznych i różnych modeli, niektóre ilustracje w tej instrukcji mogą się różnić od modelu.

(HDPW3618DN*)



- 1-Lampka LED do chłodziarki
- 2-Szklana półka
- 3-Szklana półka
- 4-Szklana półka
- 5-Pokrywa szuflady My Zone
- 6-Szuflada My Zone
- 7-Górna szuflada zamrażarki
- 8-Środkowa szuflada zamrażarki
- 9-Dolna szuflada zamrażarki
- 10-Regulowane nóżki
- 11-Półka na drzwi chłodziarki

Panel sterowania



Wskaźniki:

- A Komora chłodziarki
- B Komora chłodnicza (My Zone)
- C Komora zamrażarki
- D Wyświetlacz temperatury
- E Funkcja Super Cool
- F Funkcja Super Freeze
- G Funkcja Holiday
- H Funkcja Eco Mode | Funkcja Wi-Fi

Przyciski:

- K1 Zmniejszanie temperatury
- K2 Wybór Fridge, My Zone oraz Freezer
- K3 Funkcja Super Cool włączona/wyłączona
- K4 Funkcja Super Freeze włączona/wyłączona
- K5 Funkcja Holiday włączona/wyłączona
- K6 Funkcja Eco Mode włączona/wyłączona
- K7 Funkcja Wi-Fi włączona/wyłączona
- K8 Zwiększanie temperatury

Przed pierwszym użyciem

Usuń wszelkie opakowania, trzymaj je w miejscu niedostępnym dla dzieci i zutylizuj w sposób przyjazny dla środowiska.

Wyczyść urządzenie wewnątrz i na zewnątrz, a także wewnątrz i akcesoria wodą z łagodnym detergentem, a następnie dobrze wysusz miękką ściereczką.

Po wypoziomowaniu i wyczyszczeniu urządzenia odczekaj co najmniej 2 godziny przed podłączeniem go do zasilania. Zob. rozdział INSTALACJA.

Przed włożeniem żywności należy wstępnie schłodzić komory z wysokimi ustawieniami. Funkcja Super Freeze pomaga szybko schłodzić komory zamrażarki

Klawisze czujników

Przyciski na panelu sterowania są klawiszami czujników, które reagują przy delikatnym dotknięciu palcem.

Włącz/Wyłącz urządzenie

Urządzenie zacznie pracę jak tylko zostanie podłączone do źródła energii. Gdy urządzenie jest włączane po raz pierwszy, wskaźniki temperatury „D” pokazują wartości ustawień wstępnych (patrz Uwaga poniżej).

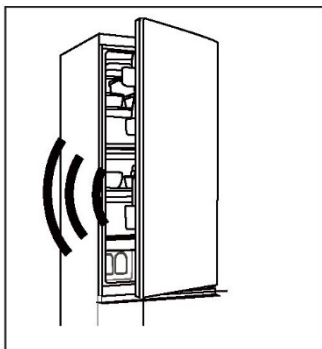
UWAGA

Urządzenie jest wstępnie ustawione na zalecaną temperaturę 5°C (chłodziarka) i -18°C (zamrażarka). Temperatura My Zone jest wstępnie ustawiona na około 2°C. To są zalecane ustawienia. W razie potrzeby można ręcznie zmienić ustawioną temperaturę.

Alarm otwarcia drzwi

Gdy drzwi chłodziarki są otwarte przez ponad 3 minuty, włączy się alarm otwartych drzwi.

Alarm drzwi można także wyłączyć poprzez zamknięcie drzwi. Jeśli drzwi pozostaną otwarte dłużej niż 7 minut, oświetlenie wnętrza chłodziarki i panelu sterowania wyłączy się automatycznie.



Wyreguluj temperaturę

Na temperaturę wewnątrz chłodziarki wpływają następujące czynniki:

- ▶ Temperatura otoczenia
- ▶ Częstotliwość otwierania drzwi
- ▶ Ilość przechowywanej żywności
- ▶ Instalacja urządzenia



Wyreguluj temperaturę chłodziarki

1. Naciśnij przycisk „K2” (wybór Fridge/(My Zone)/Freezer), aby wybrać komorę chłodziarki. Ikona „A” (chłodziarka) i „D” (wyświetlacz temperatury) są podświetlone.

2. Naciśnij przycisk „K1/K8”, aby ustawić temperaturę chłodziarki.

Temperatura wzrasta sekwencyjnie o 1 °C, od minimum 2 °C do maksimum 8 °C. Optymalna temperatura w chłodziarce to 5°C. Niższe temperatury oznaczają niepotrzebne zużycie energii.

3. Po około 5 sekundach ikona temperatury „D” (wyświetlacz temperatury) zaświeci się na stałe, a ustawienie zostanie potwierdzone.

Ustaw temperaturę zamrażarki

1. Naciśnij przycisk „K2” (wybór Fridge/(My Zone)/Freezer), aby wybrać komorę zamrażania. Ikony „C” (komora zamrażarki) i „D” (wyświetlacz temperatury) będą podświetlone.

2. Naciśnij przycisk „K1/K8”, aby ustawić temperaturę zamrażarki.

Temperatura wzrasta sekwencyjnie o 1°C, od minimum -24°C do maksimum -16°C. Optymalna temperatura w chłodziarce to -18 °C. Niższe temperatury oznaczają niepotrzebne zużycie energii.

3. Po około 5 sekundach wskaźnik temperatury „D” (wyświetlacz temperatury) zaświeci się na stałe, a ustawienie zostanie potwierdzone.

Ustaw temperaturę My Zone

Chłodziarka wyposażona jest w szufladę My Zone. Zgodnie z wymaganiami dotyczącymi przechowywania żywności można wybrać najbardziej odpowiednią temperaturę, aby uzyskać optymalną wartość odżywczą żywności.

1. Naciśnij przycisk „K2” (wybór Fridge/(My Zone)/Freezer), aby wybrać komorę My Zone. Ikona „B” (komora My Zone) i „D” (wyświetlacz temperatury) są podświetlone.

2. Naciśnij przycisk „K1/K8”, aby ustawić temperaturę komory My Zone.

Temperatura wzrasta sekwencyjnie o 1°C, od minimum 0°C do maksimum 5°C.

3. Po około 5 sekundach ikona temperatury „D” (wyświetlacz temperatury) zaświeci się na stałe, a ustawienie zostanie potwierdzone.



i UWAGA

1. Możesz ustawić temperaturę w komorze My Zone na średnim poziomie (2°C), aby przechowywać żywność w optymalnych warunkach.
2. Ze względu na różną zawartość wody w mięsie, niektóre mięso o większej wilgotności zostanie zamrożone w temperaturze niższej niż 0°C. Tak więc mięso „natychmiast krojone” należy przechowywać w szufladzie My Zone, w temperaturze min. 0°C.
3. Owoce wrażliwe na zimno, takie jak ananas, awokado, banany, grejpfruty i warzywa, takie jak ziemniaki, bakłażany, fasola, ogórki, cukinia i pomidory oraz ser nie powinny być przechowywane w szufladzie My Zone.
4. Jeśli temperatura chłodziarki jest niższa niż temperatura My Zone, to normalne, że temperatura w My Zone jest niższa niż temperatura ustawienia dla My Zone
5. Jeśli temperatura w pomieszczeniu jest niższa niż 8°C, temperatura szuflady My Zone będzie zawsze bliska 0°C.

i UWAGA

Po ustawieniu temperatury, jeśli w ciągu 5 sekund zostaną naciśnięte inne przyciski, aktualne ustawienie temperatury zostanie natychmiast potwierdzone. Jeśli w ciągu 5 sekund nie zostanie wykonana żadna operacja z użyciem przycisków, aktualna ustawiona temperatura będzie wyświetlana do momentu zgaśnięcia ekranu.

i UWAGA

Z poziomu aplikacji możliwe jest dostosowanie temperatury dla chłodziarki, zamrażarki i komory My Zone. Temperatura może być ustawiona z dokładnością do 1°C.

Funkcja Super Cool

1. Zaleca się włączenie funkcji Super Cool w przypadku przechowywania dużej ilości żywności (np. po zakupie). Funkcja Super Cool przyspiesza chłodzenie świeżej żywności i chroni już przechowywane produkty przed niepożądanym ogrzaniem.
2. Naciśnij przycisk „K3” lub włącz go z poziomu aplikacji, ikona „E” (funkcja Super Cool) zaświeci się i funkcja zostanie aktywowana.



UWAGA

1. Urządzenie wyłącza się z funkcji „Super Cool” po wejściu w funkcję „Super Cool” na 6 godzin lub po naciśnięciu przycisku „K3”, gdy ikona „E” (funkcja Super Cool) jest podświetlona lub po wyłączeniu w aplikacji.
2. W stanie Super Cool, jeśli temperatura komory chłodziarki jest regulowana, ikona „E” (funkcja Super Cool) miga, aby wskazać, że ta operacja nie może być wykonana.

Funkcja Super Freeze

1. Świeża żywność powinna być zamrożona tak szybko, jak to możliwe. To umożliwi zachowanie najlepszej wartości odżywczej, wyglądu i smaku. Funkcja Super Freeze przyspiesza zamrażanie świeżej żywności i chroni już przechowywane produkty przed niepożądanym ogrzaniem. Jeśli konieczne jest jednorazowe zamrożenie dużej ilości żywności, zaleca się włączenie funkcji Super Freeze na 24 godziny przed użyciem zamrożonego pomieszczenia.
2. Naciśnij przycisk „K4” (ustawienie funkcji Super Freeze) lub włącz ją z poziomu aplikacji, ikona „F” (funkcja Super Freeze) zaświeci się i funkcja zostanie aktywowana.

UWAGA

1. Urządzenie wyłącza się z funkcji „Super Freeze” po wejściu w funkcję „Super Freeze” na 50 godzin lub po naciśnięciu przycisku „K4”, gdy ikona „F” (funkcja Super Freeze) jest podświetlona lub wyłącza ją w aplikacji.
2. W stanie Super Freeze, jeśli temperatura komory zamrażarki jest regulowana, miga ikona „F” (funkcja Super Freeze), aby wskazać, że nie można wykonać tej operacji.

Funkcja Holiday

Funkcji Holiday można używać w celu zmniejszenia zużycia energii przez urządzenie, gdy nie jest ono regularnie używane. Po włączeniu tej funkcji chłodziarka zostanie wyłączona, natomiast zamrażarka będzie działać normalnie. Funkcja ustawia na stałe temperaturę chłodziarki na 17°C.

Pozwala to na zamknięcie drzwi pustej chłodziarki, nie powodując przy tym nieprzyjemnego zapachu czy pleśni - podczas dłuższej nieobecności (np. w czasie wakacji). Komora zamrażarki może być dowolnie ustawiana.



1. Naciśnij przycisk „K5” (funkcja Holiday włączona/wyłączona) lub wybierz funkcję z aplikacji, ikona „G” (funkcja Holiday) zaświeci się i funkcja zostanie aktywowana.
2. Funkcję można dezaktywować, ponownie naciskając przycisk „K5” (włączenie/wyłączenie funkcji Holiday) lub ustawiając temperaturę chłodziarki lub wykonując dowolne inne ustawienie lub wyłączając ją z poziomu aplikacji.

UWAGA

1. Podczas korzystania z funkcji Holiday w komorze chłodziarki nie należy przechowywać żadnej żywności. Temperatura + 17°C jest zbyt wysoka, aby przechowywać żywność.
2. Gdy funkcja Holiday jest włączona, ikona My Zone pozostaje wyłączona, a funkcja chłodziarki jest zablokowana. Jeśli temperatura w komorze chłodziarki jest ustawiona, ikona „G” (funkcja Holiday) miga, wskazując, że tej operacji nie można wykonać.

Funkcja Eco Mode

Tryb Eco Mode może być aktywowany w celu optymalizacji wydajności urządzenia, przy jednoczesnym uzyskaniu najlepszego sposobu przechowywania żywności. Jeśli nie masz żadnych specjalnych wymagań, zalecamy użycie trybu Eco Mode.

W tym trybie temperatura chłodziarki wynosi 5°C, temperatura zamrażarki wynosi -18°C.







1. Naciśnij przycisk „K6” (funkcja Eco Mode włączona/wyłączona) lub wybierz funkcję z aplikacji.
2. Ikona „H” (funkcja Eco Mode) jest podświetlona, a funkcja jest włączona.

Powtarzając powyższe kroki lub wybierając inną funkcję lub wyłączając z aplikacji, możesz ponownie wyłączyć tę funkcję. Zostaną przywrócone poprzednio ustawione poziomy chłodzenia.

UWAGA

Podczas działania funkcji Eco Mode, jeśli temperatura komory chłodziarki/zamrażarki jest regulowana, ikona „H” (funkcja Eco Mode) miga, wskazując, że tej operacji nie można wykonać.

Krok 1 Pobierz aplikację hOn ze sklepów.

   	
<p>Krok 2 Załóż konto w aplikacji hOn lub zaloguj się, jeśli masz już konto.</p> 	<p>Krok 3 Postępuj zgodnie z instrukcjami parowania w aplikacji hOn.</p> 

Funkcja Wi-Fi

1. Należy postępować zgodnie z instrukcjami aplikacji, aby skonfigurować sieć Wi-Fi.
2. Po skonfigurowaniu sieci Wi-Fi i nawiązaniu połączenia ikona Wi-Fi „I” jest podświetlona i stała.
3. Jeśli sieć Wi-Fi została już skonfigurowana, po włączeniu sieci Wi-Fi automatycznie połączy się ponownie zgodnie z informacjami konfiguracyjnymi.

UWAGA

1. Aby wyłączyć Wi-Fi, naciśnij przycisk Wi-Fi „K7”, a ikona Wi-Fi „I” zgaśnie.
2. Aby włączyć Wi-Fi i rozpocząć konfigurację, naciśnij przycisk Wi-Fi „K7”, a ikona Wi-Fi „I” zacznie powoli migać. Jeśli chcesz skonfigurować funkcję Wi-Fi, naciśnij przycisk „K7” przez 3 sekundy, ikona Wi-Fi zacznie szybko migać i wejdzie w tryb konfiguracji. Jeśli chcesz wyłączyć funkcję Wi-Fi, naciśnij raz przycisk „K7”. Powyższe kroki są powtarzane.
3. Jeśli produkt został skonfigurowany, a funkcja Wi-Fi została wyłączona, chłodziarka nie wejdzie w tryb konfiguracji po ponownym podłączeniu do zasilania.

UWAGA

1. Ten produkt nie jest przeznaczony do użytku komercyjnego.
2. Maksymalna moc wyjściowa RF: 2,4 GHz Wi-Fi:16 dBm;
3. Bluetooth LE:5dBm; Bluetooth (BR/EDR):10dBm.
4. Pasmo częstotliwości działania: 2400-2483,5 MHz.



Przechowywanie w komorze chłodziarki

- Należy utrzymywać temperaturę w chłodziarce poniżej 5°C.
- Gorące jedzenie musi zostać schłodzone do temperatury pokojowej przed włożeniem go do urządzenia.
- Żywność przechowywana w chłodziarce powinna zostać wcześniej umyta i wysuszona.
- Przechowywana żywność powinna być odpowiednio zamknięta, co pozwoli uniknąć zmiany zapachu lub smaku.
- Nie przechowuj nadmiernych ilości żywności. Należy zachować odstępy pomiędzy produktami spożywczymi, aby umożliwić cyrkulację zimnego powietrza dla zapewnienia lepszego i bardziej jednorodnego chłodzenia.
- Żywność spożywaną codziennie należy przechowywać z przodu półki.
- Pozostaw szczelinę pomiędzy żywnością a wewnętrznymi ściankami, umożliwiającą przepływ powietrza. W żadnym wypadku nie należy przechowywać żywności przy tylnej ścianie: żywność może zamrznąć przy tylnej ścianie. Unikaj bezpośredniego kontaktu żywności (zwłaszcza tłustej lub kwaśnej) z wkładką wewnętrzną, ponieważ olej/kwas może spowodować erozję wkładki wewnętrznej. Usuwać tłuste/kwaśne zabrudzenia, gdy tylko się pojawią.
- Zamrożoną żywność można delikatnie rozmrozić w komorze chłodziarki. To oszczędza energię.
- W chłodziarce występuje szybszy proces starzenia się owoców i warzyw takich jak cukinia, melon, papaja, banan, ananas itp. Dlatego nie zaleca się przechowywania ich w chłodziarce. Jednak przez pewien czas możliwe jest przyspieszenie dojrzewania zielonych owoców. Cebula, czosnek, imbir i inne warzywa korzeniowe również powinny być przechowywane w temperaturze pokojowej.
- Nieprzyjemne zapachy wewnątrz chłodziarki to znak, że coś się rozlało i konieczne jest czyszczenie. Zobacz Pielęgnacja i czyszczenie.
- Różne rodzaje żywności powinny być umieszczane w różnych miejscach w zależności od ich właściwości.

Przechowywanie w komorze zamrażarki

- Należy utrzymywać temperaturę zamrażarki na poziomie - 18°C.
- 24 godziny przed zamrożeniem włącz funkcję Super-Freeze. W przypadku małych ilości jedzenia wystarczy 4-6 godzin.
- Gorące jedzenie musi zostać schłodzone do temperatury pokojowej przed włożeniem go do komory zamrażarki.
- Żywność pokrojona na małe porcje zamraża się szybciej i jest łatwiejsza do rozmrożenia i ugotowania. Zalecana waga każdej porcji wynosi mniej niż 2,5 kg
- Zaleca się zapakowanie żywności przed jej włożeniem do zamrażarki. Zewnętrzna strona opakowania musi być sucha, aby uniknąć sklejania się



worków. Materiały opakowaniowe powinny być bezwonne, hermetyczne, nietrujące i nietoksyczne.

- Aby uniknąć upływu terminu przydatności do spożycia, należy podać na opakowaniu datę zamrożenia, termin i nazwę produktu, zgodnie z okresami przechowywania różnych produktów spożywczych.



OSTRZEŻENIE!

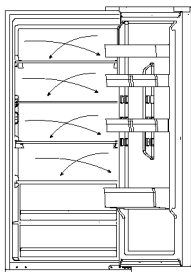
- ▶ Kwas, zasady, sól itp. mogą spowodować erozję wewnętrznej powierzchni zamrażarki
- ▶ Nie należy umieszczać żywności zawierającej te substancje (np. ryb morskich) bezpośrednio na wewnętrznej powierzchni. Słona woda w zamrażarce powinna być natychmiast oczyszczona.
- ▶ Nie należy przekraczać czasu przechowywania żywności zalecanego przez producentów. Należy wyjąć z zamrażarki tylko wymaganą ilość jedzenia.
- ▶ Należy szybko spożyć rozmrożoną żywność. Rozmrożone jedzenie nie może być ponownie zamrożone, chyba że zostanie najpierw ugotowane, w przeciwnym razie może być mniej jadalne.
- ▶ Nie wkładaj nadmiernej ilości świeżej żywności do komory zamrażarki. Patrz pojemność zamrażarki - patrz DANE TECHNICZNE lub dane na tabliczce znamionowej.
- ▶ Żywność może być przechowywana w zamrażarce w temperaturze wynoszącej co najmniej -18°C przez okres od 2 do 12 miesięcy, w zależności od jej rodzaju produktów (np. mięso: 3-12 miesięcy, warzywa: 6-12 miesięcy)
- ▶ Podczas zamrażania świeżej żywności należy unikać kontaktu z już zamrożoną żywnością. Ryzyko rozmrożenia!

Przechowując komercyjnie zamrożoną żywność, należy przestrzegać następujących wytycznych:

- Zawsze postępuj zgodnie z wytycznymi producenta dotyczącymi czasu przechowywania żywności. Nie przekraczaj czasu wskazanego w tych wytycznych!
- Staraj się, aby czas od zakupu do umieszczenia w zamrażarce był jak najkrótszy, aby zachować jakość żywności.
- Kupuj mrożonki, które były przechowywane w temperaturze -18°C lub niższej.
- Unikaj kupowania żywności, której opakowanie jest pokryte lodem lub szronem. Oznacza to, że produkty mogły w pewnym momencie zostać częściowo rozmrożone i ponownie zamrożone. Wzrost temperatury wpływa na jakość żywności.

i UWAGA

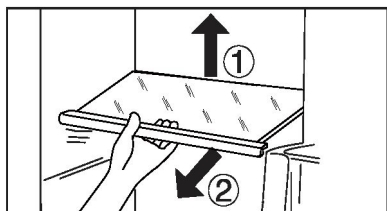
Ze względu na różne modele, Twój produkt może nie mieć wszystkich poniższych funkcji. Patrz rozdział Opis produktu.



System obiegu powietrza

Chłodziarka jest wyposażona w system obiegu powietrza, dzięki któremu chłodne strumienie powietrza znajdują się na każdym poziomie półki. Pomaga to utrzymać jednolitą temperaturę, dzięki czemu żywność jest dłużej świeża.

Regulowana półka



1. Wysokość półek można dostosować do potrzeb przechowywania.
2. Aby przenieść półkę, zdejmij ją najpierw, podnosząc tylną krawędź ① i wyciągając ②.
3. Aby ponownie zamontować półkę, należy nałożyć ją na uchwyty po obu stronach i przesunąć do pozycji najbardziej wysuniętej do tyłu, aż tylna część półki znajdzie się w szczelinach po bokach

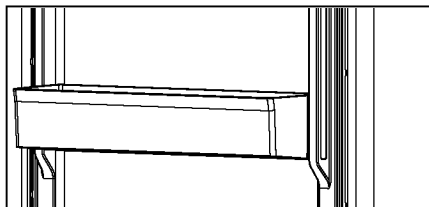
i UWAGA

Upewnij się, że wszystkie końce półki są wypoziomowane.

Zdejmowana półka na drzwiach

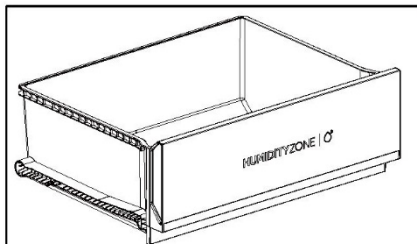
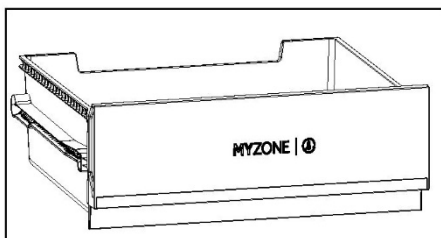
Półkę znajdującą się na drzwiach można zdjąć do czyszczenia:

Położ dłoń po obu stronach półki, podnieś ją do góry (1) i wyciągnij (2). W celu ponownego zamontowania półek znajdujących się na drzwiach powyższe czynności wykonuje się w odwrotnej kolejności



Szuflada My Zone

Informacje na temat korzystania i ustawiania komory My Zone znajdują się w części UŻYTKOWANIE (My Zone).



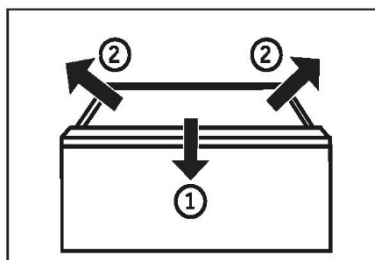
Szuflada Humidity Zone

W tej komorze poziom wilgotności jest kontrolowany automatycznie przez system i nadaje się do przechowywania owoców, warzyw, sałatek itp.

Wymowana szuflada

Aby wyjąć szufladę z komory chłodziarki lub zamrażarki, wyciągnij ją maksymalnie (1), podnieś i wyjmij (2).

W celu ponownego włożenia szuflady powyższe czynności wykonuje się w odwrotnej kolejności.



Szuflada zamrażarki

Szufladę zamrażarki można prosto i kompletnie wysunąć. Montowane są na teleskopowej szynie typu easy roll. Abyś mógł wygodnie przechowywać i wyjmować produkty do zamrażania. Dzięki automatycznemu mechanizmowi zamykania drzwi obsługa jest łatwa i umożliwia oszczędność energii.



OSTRZEŻENIE!

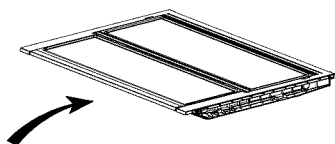
Nie przeciążaj szuflad: Maksymalne obciążenie każdej szuflady: 35 kg!

Światło

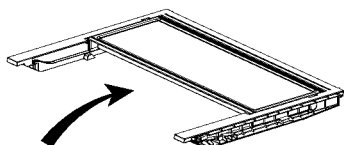
Po otwarciu drzwi zapala się wewnętrzne oświetlenie LED. Na działanie świateł nie mają wpływu żadne inne ustawienia urządzeń.

Składana półka

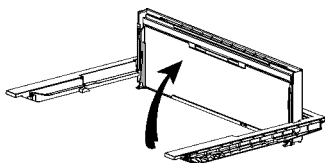
Składana półka pozwoli użytkownikowi umieścić na półkach wysokie butelki lub przedmioty. Półkę można złożyć z tyłu, dzięki czemu dostępna przestrzeń dolnej półki będzie większa. Półkę można złożyć, wykonując kroki 1–3. Jeśli chcesz wrócić do pierwotnej lokalizacji, wykonaj poniższe czynności w odwrotnej kolejności.



Krok 1: Przesuń powoli przód półki do końca.



Krok 2: Przesuń powoli półkę w górę do pozycji pionowej.



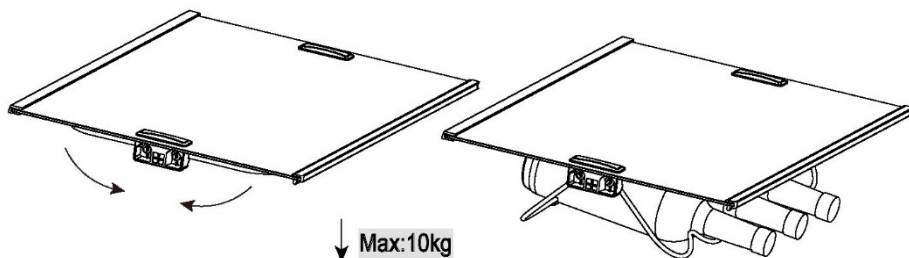
Krok 3: Półka jest pionowa. Pozwoli to zaoszczędzić miejsce.

Składany stojak na wino

Do normalnego użytku

1. Opuść wsporniki stojaka na wino
2. Umieść butelki w stojaku

Gdy nie jest używany, stojak na wino można złożyć, aby zaoszczędzić miejsce.





Wskazówki dotyczące oszczędzania energii

- ▶ Upewnij się, że urządzenie jest właściwie wentylowane (patrz MONTAŻ).
- ▶ Nie instaluj urządzenia w miejscu, w którym będzie narażone na bezpośrednie działanie słońca lub w pobliżu źródeł ciepła (np. pieców, grzejników).
- ▶ Unikaj niepotrzebnie niskiej temperatury w urządzeniu. Zużycie energii wzrasta wraz ze spadkiem ustawionej temperatury w urządzeniu.
- ▶ Funkcje takie jak SUPER FREEZE zwiększają zużycie energii.
- ▶ Przed włożeniem ciepłej żywności do urządzenia należy poczekać, aż ostygnie.
- ▶ Otwieraj drzwi możliwie rzadko i możliwie na krótko.
- ▶ Nie przepelniaj urządzenia, aby nie blokować przepływu powietrza.
- ▶ Unikaj powietrza w opakowaniu z żywnością.
- ▶ Utrzymuj w czystości uszczelki drzwi, aby zapewnić prawidłowe ich zamykanie.
- ▶ Rozmrażaj zamrożoną żywność w komorze chłodziarki lub użyj funkcji D-Frost w szufladzie My Zone.
- ▶ Najbardziej energooszczędna konfiguracja wymaga, aby szuflada, pojemnik na żywność i półki były umieszczone w urządzeniu jak w stanie fabrycznym, a żywność nie blokowała wylotu powietrza z kanału.



OSTRZEŻENIE!

Przed czyszczeniem odłącz urządzenie od zasilania sieciowego.

Czyszczenie

Urządzenie należy czyścić, gdy przechowywana jest niewielka ilość żywności lub nie ma jej wcale.

Urządzenie powinno być czyszczone co cztery tygodnie, aby zapewnić dobrą konserwację i zapobiec nieprzyjemnym zapachom przechowywanej żywności.



OSTRZEŻENIE!

- ▶ Nie czyść urządzenia za pomocą twardych szczotek, szczotek drucianych, detergentów proszkowych, benzyny, octanu amylu, acetonu i podobnych roztworów organicznych, kwasu lub roztworów alkalicznych. Do czyszczenia należy używać specjalnego detergentu do chłodziarek, aby uniknąć uszkodzenia.
- ▶ Nie używaj aerozolu ani nie przepłukuj urządzenia podczas czyszczenia.
- ▶ Nie używaj wody lub pary do czyszczenia urządzenia.
- ▶ Nie czyść zimnych szklanych półek gorącą wodą. Nagła zmiana temperatury może spowodować pęknięcie szkła.
- ▶ Nie dotykaj wnętrza komory, zwłaszcza mokrymi rękami, ponieważ mogą one przymarznąć do jej powierzchni.
- ▶ W przypadku zwiększenia temperatury sprawdzić stan zamrożonych produktów.



- ▶ Uszczelka drzwi powinna być zawsze utrzymywana w czystości.
- ▶ Czyść wnętrze i obudowę urządzenia gąbką zanurzoną w ciepłej wodzie i neutralnym detergentem.
- ▶ 1. Czyść wnętrze i zewnętrzną część chłodziarki, w tym uszczelnienie drzwi, stojak na drzwi, szklane półki, pudełka itd., miękkim ręcznikiem lub gąbką zanurzoną w ciepłej wodzie (można dodać neutralny detergent do ciepłej wody).
- ▶ 2. W przypadku rozlania płynu usuń wszystkie zanieczyszczone elementy, bezpośrednio spłucz bieżącą wodą, osusz i włóż z powrotem do chłodziarki.
- ▶ 3. W przypadku rozlanego kremu (np. śmietany, topniejących lodów), należy wyjąć wszystkie zanieczyszczone części, włożyć je na chwilę do ciepłej wody o temperaturze ok. 40°C, następnie spłukać bieżącą wodą, osuszyć i włożyć z powrotem do chłodziarki.
- ▶ 4. W przypadku, gdy jakaś mała część lub element dostanie się do wnętrza chłodziarki (pomiędzy półki lub szuflady), użyć małego miękkiego pędzelka, aby go wyciągnąć. Jeśli nie udało się dotrzeć do tego elementu, prosimy o kontakt z serwisem Haier



- ▶ Splucz i wysusz miękką ściereczką.
- ▶ Nie należy myć żadnych części urządzenia w zmywarce do naczyń.
- ▶ Odczekaj co najmniej 5 minut przed ponownym uruchomieniem urządzenia, ponieważ częste uruchamianie może uszkodzić sprężarkę.

Rozmrażanie

Rozmrażanie chłodziarki i zamrażarki odbywa się automatycznie; nie jest wymagana ręczna obsługa.

Wymiana lampek LED



OSTRZEŻENIE!

Nie wolno samodzielnie wymieniać lampy LED, może to zrobić tylko producent lub autoryzowany serwis.

Jako źródło światła lampy wykorzystują diody LED, charakteryzujące się niskim zużyciem energii i długą żywotnością. W przypadku wystąpienia jakichkolwiek nieprawidłowości prosimy o kontakt z działem obsługi klienta. Zob. OBSŁUGA KLIENTA.

Parametry lamp:

Część	Lampa LED
Napięcie	12 V
Maksymalna moc:	1,5 W
Specyfikacja LED	Biały-2835
Klasa efektywności LED	G
Temperatura użytkowania	-40~80°C

HDPW7620*, HTW7620*

Część	Lampa LED
Napięcie	12 V
Maksymalna moc:	8W
Specyfikacja LED	Biały-4014
Klasa efektywności LED	G
Temperatura użytkowania	-30~60°C

Nieużytkowanie przez dłuższy okres

Jeżeli urządzenie nie będzie używane przez dłuższy czas i nie będzie wykorzystywana funkcja Holiday chłodziarki:

Wymij żywność.

Odłącz przewód zasilający.

Wyczyść urządzenie jak opisano powyżej.

Zostaw drzwi otwarte, aby zapobiec tworzeniu się wewnątrz nieprzyjemnych zapachów.



UWAGA

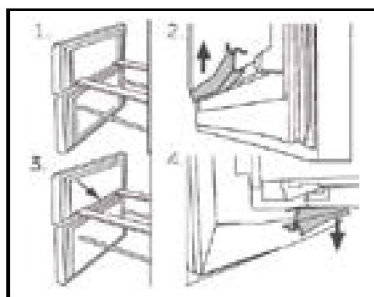
Wyłącz urządzenie tylko wtedy, gdy jest to absolutnie konieczne.

Zdejmowane dodatkowe uszczelki drzwi

Na górnej i dolnej szufladzie zamrażarki znajduje się sześć dodatkowych uszczeltek drzwi.

1. Znajdź pięć wskazanych uszczeltek drzwi na górnej i dolnej szufladzie zamrażarki.
2. Upewnij się, że wygięte plastry uszczeltek są skierowane do wewnątrz podczas mocowania.
3. Zlokalizuj dolną uszczelkę górnej szuflady, jak pokazano.
4. Upewnij się, że wygięty plaster tej uszczelki jest skierowany w dół podczas mocowania.

Uszczelki te, jak również uszczelki do drzwi obrotowych/szuflad, zostaną przekazane za pośrednictwem działu obsługi klienta (patrz karta gwarancyjna).



Przenoszenie urządzenia

1. Wymij wszystkie produkty spożywcze i odłącz urządzenie od zasilania.
2. Zabezpiecz taśmą klejącą półki i inne ruchome części w zamrażarce.
3. Nie przechylaj chłodziarki pod kątem większym niż 45°, aby uniknąć uszkodzenia układu chłodniczego.



OSTRZEŻENIE!

- ▶ Nie podnoś urządzenia za klamki.
- ▶ Nigdy nie należy ustawiać urządzenia poziomo na ziemi.

Wiele problemów można rozwiązać samodzielnie, bez specjalistycznej wiedzy. W przypadku problemów prosimy sprawdzić wszystkie pokazane możliwości i postępować zgodnie z poniższymi instrukcjami przed skontaktowaniem się z obsługą posprzedażową. Zob. OBSŁUGA KLIENTA.



OSTRZEŻENIE!

- ▶ Przed przystąpieniem do konserwacji wyłącz urządzenie i wyjmij wtyczkę z gniazdka sieciowego.
- ▶ Urządzenie elektryczne powinno być serwisowane tylko przez wykwalifikowanych ekspertów, ponieważ niewłaściwe naprawy mogą spowodować znaczne szkody.
- ▶ Jeśli kabel zasilania jest uszkodzony, musi on zostać wymieniony przez producenta, serwisanta lub inną wykwalifikowaną osobę w celu uniknięcia niebezpieczeństwa.

Tabela rozwiązywania problemów

Problem	Potencjalna przyczyna	Możliwe rozwiązanie
Sprężarka nie działa.	Wtyczka sieciowa nie jest podłączona do gniazdka.	Podłącz główną wtyczkę.
	Urządzenie znajduje się w cyklu rozmrażania.	Jest to normalne w przypadku automatycznego odszraniania.
Urządzenie działa często lub przez zbyt długi okres czasu.	Temperatura wewnątrz i na zewnątrz urządzenia jest za wysoka.	W tym przypadku to normalne, że urządzenie będzie pracować dłużej.
	Urządzenie było odłączone od zasilania przez określony czas.	Całkowite schłodzenie urządzenia trwa zazwyczaj od 8 do 12 godzin.
	Drzwi/szuflada urządzenia nie są szczelnie zamknięte.	Zamknij drzwi i upewnij się, że urządzenie jest ustawione na płaskiej powierzchni i żywność lub pojemniki nie blokują drzwi.
	Drzwi/szuflad były za często otwierane lub pozostawały długo otwarte.	Nie otwieraj drzwi/szuflad zbyt często.
	Ustawienie temperatury w komorze zamrażarki jest zbyt niskie.	Ustaw wyższą temperaturę, aż do uzyskania zadowalającej temperatury w chłodzience. Ustabilizowanie się temperatury w chłodzience zajmuje 24 godziny.
	Uszczelki drzwi/szuflady są brudne, zużyte, pęknięte lub niedopasowane.	Wyczyść uszczelki drzwi/szuflady lub wymień je z pomocą serwisu obsługi klienta.
	Wymagany przepływ powietrza nie jest gwarantowany.	Zapewnij odpowiednią wentylację.



Problem	Potencjalna przyczyna	Możliwe rozwiązanie
Wnętrze chłodziarki jest brudne i/lub nieprzyjemnie pachnie.	Wnętrze chłodziarki wymaga czyszczenia.	Wyczyść wnętrze chłodziarki.
	W chłodziarce przechowywana jest żywność o intensywnym zapachu.	Dokładnie owiń żywność.
Wewnątrz urządzenia nie jest wystarczająco zimno.	Ustawiona temperatura jest za wysoka.	Ponownie ustaw temperaturę
	Przechowywano zbyt ciepłą żywność.	Zawsze schładzaj żywność przed jej przechowywaniem.
	W chłodziarce umieszczono zbyt dużą ilość żywności.	Zawsze przechowuj małe ilości żywności.
	Żywność jest zbyt blisko siebie.	Pozostaw przerwę między produktami spożywczymi, umożliwiając przepływ powietrza.
	Drzwi/szuflada urządzenia nie są szczelnie zamknięte.	Zamknij drzwi/szufladę.
Drzwi/szuflad były za często otwierane lub pozostawały długo otwarte.	Nie otwieraj drzwi/szuflad zbyt często.	
Wnętrze urządzenia jest za zimne.	Temperatura jest za niska.	Ponownie ustaw temperaturę.
	Funkcja Super Freeze jest włączona lub działa zbyt długo.	Wyłączyć funkcję Super Freeze.
Powstawanie wilgoci na wewnętrznych ściankach komory.	Klimat jest zbyt ciepły i wilgotny.	Zwiększ temperaturę.
	Drzwi/szuflada urządzenia nie są szczelnie zamknięte.	Zamknij drzwi/szufladę.
	Drzwi/szuflad były za często otwierane lub pozostawały długo otwarte.	Nie otwieraj drzwi/szuflad zbyt często.
	Pojemniki na żywność lub płyny są otwarte.	Pozostaw gorącą żywność do ostygnięcia do temperatury pokojowej i przykryj żywność oraz płyny.
Wilgoć gromadzi się na zewnętrznej powierzchni chłodziarki lub między drzwiami a szufladą.	Klimat jest zbyt ciepły i wilgotny.	Jest to normalne zjawisko w wilgotnym klimacie i zmieni się, gdy wilgotność spadnie.
	Drzwi/szuflada nie są szczelnie zamknięte.	Upewnij się, że drzwi/szuflada są szczelnie zamknięte.
Ikony na wyświetlaczu migają na zmianę, a układ chłodzenia nie działa.	Jest w trybie demonstracyjnym	Lodówka jest zasilana z wtyczki Naciśnij i przytrzymaj przycisk „STREFA”, a następnie pięciokrotnie kliknij przycisk „Tryb Eco”, wówczas ikony przestaną po kolei migać.



Problem	Potencjalna przyczyna	Możliwe rozwiązanie
Nadmierny lód i szron w komorze zamrażarki.	Artykuły spożywcze nie zostały odpowiednio zapakowane/	Zawsze dobrze pakuj żywność.
	Drzwi/szuflada urządzenia nie są szczelnie zamknięte.	Zamknij drzwi/szufladę.
	Drzwi/szuflady były za często otwierane lub pozostawały długo otwarte.	Nie otwieraj drzwi/szuflad zbyt często.
	Uszczelki drzwi/szuflady są brudne, zużyte, pęknięte lub niedopasowane.	Wyczyść uszczelki drzwi lub wymień je na nowe.
	Coś wewnątrz uniemożliwia prawidłowe zamknięcie drzwi/szuflady.	Ponownie umieść półki, półki na drzwi lub pojemniki wewnętrzne, aby umożliwić zamknięcie drzwi/szuflady.
Urządzenie wydaje dziwne dźwięki.	Urządzenie nie znajduje się na wypoziomowanym podłożu.	Wyreguluj nóżki, aby wypoziomować urządzenie.
	Urządzenie dotyka jakiegoś przedmiotu.	Usuń objekty znajdujące się w pobliżu urządzenia.
Słychać delikatny szum podobny do płynącej wody.	To normalne.	/
Usłyszysz sygnał alarmowy.	Drzwi komory chłodziarki są otwarte.	Zamknij drzwi lub wycisz alarm ręcznie.
Będziesz blisko słabego szumu.	Układ antykondensacyjny działa.	Zapobiega to kondensacji i jest normalne.
Oświetlenie wnętrza lub układ chłodzenia nie działa.	Wtyczka sieciowa nie jest podłączona do gniazdka	Podłącz główną wtyczkę.
	Zasilanie nie jest w dobrym stanie.	Sprawdź zasilanie elektryczne w pomieszczeniu. Skontaktuj się z lokalnym dostawcą energii elektrycznej!
	Lampa LED nie działa.	Wezwij serwis w celu wymiany lampki.
Boki obudowy i listwa drzwiowa nagrzewają się.	To normalne.	/
Woda nie wypływa z dozownika wody	Blokada nie jest dezaktywowana.	Dezaktywuj blokadę



Przerwa w zasilaniu

- ▶ W przypadku przerwy w dostawie prądu żywność powinna zachować bezpieczną temperaturę przez około 13 godzin. Podczas dłuższej przerwy w dostawie prądu, zwłaszcza latem, należy stosować się do poniższych wskazówek.
- ▶ Unikaj częstego otwierania drzwi/szuflady.
- ▶ Nie wkładaj do urządzenia dodatkowej żywności podczas przerwy w dostawie prądu.
- ▶ W przypadku wcześniejszego powiadomienia o przerwie w dostawie prądu, a czas trwania przerwy jest dłuższy niż 13 godzin, należy przygotować kilka kostek lodu i umieścić je w pojemniku na górnej półce komory chłodziarki.
- ▶ Kontrola towaru jest wymagana niezwłocznie po przerwie.
- ▶ Ponieważ temperatura w chłodziarce wzrośnie podczas przerwy w zasilaniu lub innej awarii, okres przechowywania i jadalna jakość żywności ulegną skróceniu. Każda żywność, która się rozmraża, powinna zostać spożyta lub ugotowana i ponownie zamrożona (w stosownych przypadkach) wkrótce po tym, aby zapobiec zagrożeniom dla zdrowia.



UWAGA

Funkcja pamięci podczas przerwy w zasilaniu

Po przywróceniu zasilania urządzenie kontynuuje ustawienia ustawione przed awarią zasilania.

Aby skontaktować się z pomocą techniczną, odwiedź naszą stronę internetową: <https://corporate.haier-eu-rope.com/en/>

W sekcji „Strona internetowa” wybierz markę swojego produktu i kraj. Zostaniesz przekierowany/a na konkretną stronę internetową, na której znajdziesz numer telefonu i inne sposoby kontaktu z pomocą techniczną.

Rozpakowanie



OSTRZEŻENIE!

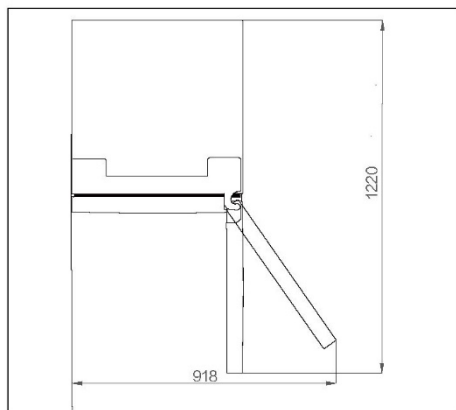
- ▶ Urządzenie jest ciężkie. Prace powinny być wykonywane przez co najmniej dwie osoby.
- ▶ Wszystkie materiały opakowaniowe należy przechowywać poza zasięgiem dzieci i utylizować w sposób przyjazny dla środowiska.
- ▶ Wyjmij urządzenie z opakowania.
- ▶ Usuń całe opakowanie.

Warunki środowiskowe

Temperatura w pomieszczeniu powinna zawsze wynosić od 10°C do 43°C, ponieważ może wpływać na temperaturę wewnątrz urządzenia i zużycie energii. Nie ustawiaj urządzenia w pobliżu innych urządzeń bez izolacji emitujących ciepło (piekarniki, chłodziarki).

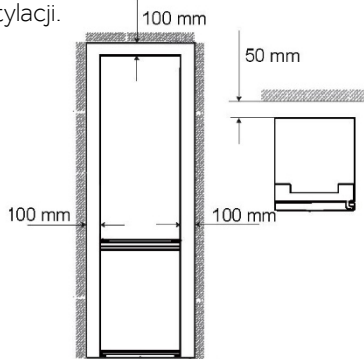
Wymagana przestrzeń

Wymagana przestrzeń przy otwarciu drzwi.



Przekrój wentylatora

Aby zapewnić wystarczającą wentylację urządzenia ze względów bezpieczeństwa, należy przestrzegać informacji o wymaganych przekrojach wentylacji.

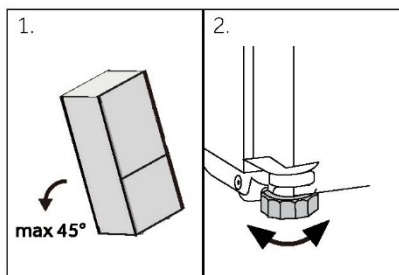


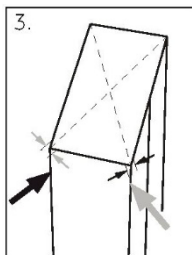
Ustawianie urządzenia

Urządzenie powinno być umieszczone na płaskiej i stabilnej powierzchni.

1. Odchyl chłodziarkę lekko do tyłu.
2. Ustaw nóżki na żądanym poziomie.

Upewnij się, że odległość od ściany po stronie zawiasu wynosi co najmniej 100 mm, aby drzwi mogły się prawidłowo otworzyć.

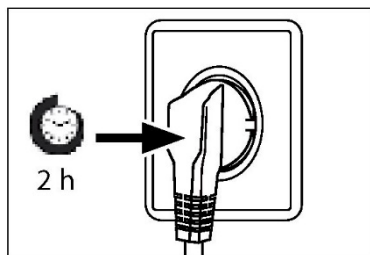




1. Stabilność można sprawdzić, popychając urządzenie naprzemiennie w linii przekątnych. Lekkie kotysanie powinno być takie same w obu kierunkach. W przeciwnym razie rama może się wykrzywić; w rezultacie może dojść do rozszczelnienia drzwi. Niewielki przechył do tyłu pomaga przy zamykaniu drzwi.

UWAGA

Dotyczy urządzenia wolnostojącego: To urządzenie chłodnicze nie jest przeznaczone do zabudowy



Czas oczekiwania

W zbiorniku sprężarki znajduje się olej bezobsługowy. Olej ten może przedostać się poprzez zamknięty system rur podczas transportu w pozycji przechylonej. Przed podłączeniem urządzenia do zasilania trzeba odczekać co najmniej 2 godziny, aby olej spłynął z powrotem do zbiornika.

Podłączenie do prądu

Przed każdym podłączeniem sprawdź, czy:

- ▶ zasilacz, gniazdo i bezpieczniki odpowiadają parametrom podanym na tabliczce znamionowej.
- ▶ gniazdko jest uziemione i nie zastosowano rozgałęźnika lub przedłużacza.
- ▶ wtyczka i gniazdko są ściśle zgodne.

Podłącz wtyczkę do prawidłowo zainstalowanego gniazdka domowego.

OSTRZEŻENIE!

Aby uniknąć ryzyka, uszkodzony przewód zasilający musi być wymieniony przez serwis (zob. karta gwarancyjna).

Zmiana kierunku otwierania drzwi

Przed podłączeniem urządzenia do zasilania należy sprawdzić, czy nie trzeba zmienić kierunku otwierania drzwi z prawego (ustawienie przy odbiorze) na lewy, jeśli jest to konieczne ze względu na miejsce instalacji i użytkowania.



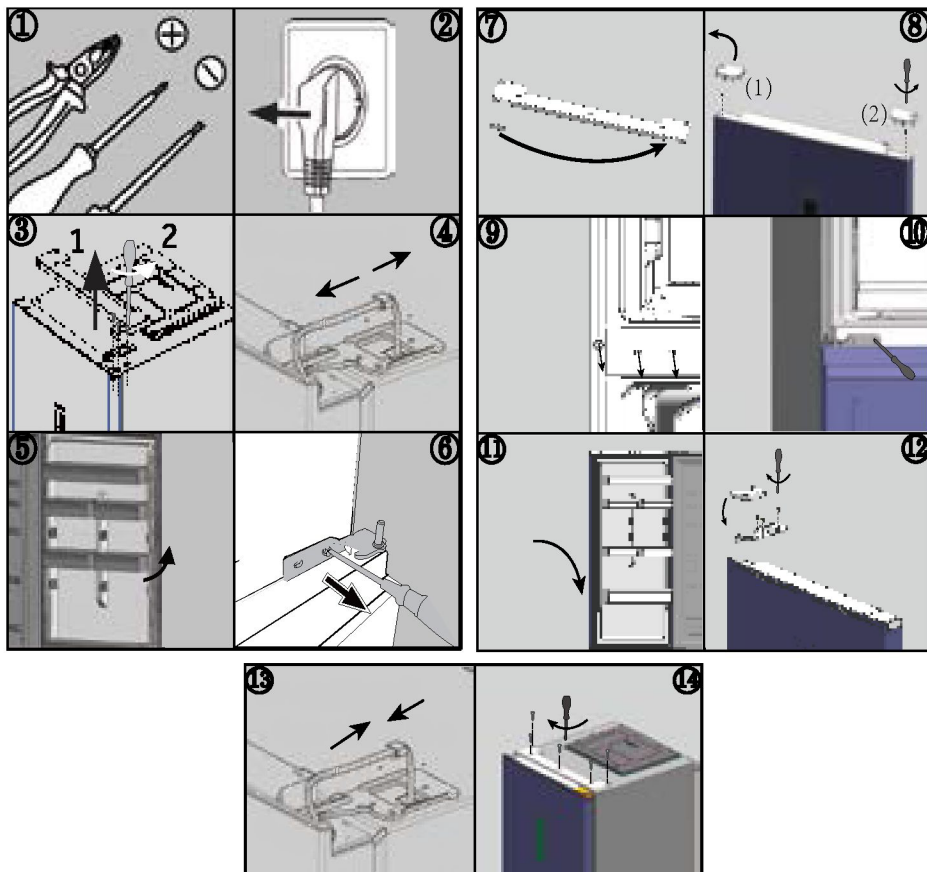
OSTRZEŻENIE!

- ▶ Urządzenie jest ciężkie. Potrzebne są dwie osoby do zmiany kierunku otwierania drzwi.
- ▶ Przed rozpoczęciem jakichkolwiek czynności należy najpierw odłączyć urządzenie od sieci
- ▶ Nie przechylaj chłodziarki bardziej niż 45°, aby uniknąć uszkodzenia układu chłodniczego.

Etapy montażu

1. Używaj odpowiednich narzędzi.
2. Odłącz urządzenie od prądu.
3. Zdejmij osłonę górnego zawiasu 1 i odkręć górny zawias (trzy śruby) po prawej stronie 2.
4. Odłącz kabel przyłączeniowy
5. Ostrożnie zdejmij luźne drzwi chłodziarki ze środkowego zawiasu.
6. Usuń środkowy zawias.
7. Zdejmij małą osłonę panelu przedniego od lewej do prawej strony.
8. Odwróć drzwi do góry nogami i odkręć pokrywę (1). Wyjmij nową osłonę (2) z potrzebnej torby i przykręć ją po przeciwnej stronie.
9. Zmień położenie zaślepek i śruby z boku.
10. Przykręć środkowy zawias do lewej strony urządzenia. Zwróć uwagę na odwrócenie sworznia zawiasu środkowego, tak aby strona z uszczelką była skierowana do góry
11. Ostrożnie podnieś górne drzwi na środkowym zawiasie. Oraz upewnij się, że sworznie pasuje do tulei zawiasu dolnych drzwi.
12. Wyjmij nowy górny zawias i osłonę zawiasu z torby z akcesoriami. Przelóż kabel przyłączeniowy przez górny zawias i zamocuj górny zawias trzema śrubami po lewej stronie urządzenia. I załóż osłonę zawiasu na zawias.
13. Podłącz kabel przyłączeniowy.
14. Załóż panel przedni i przymocuj go pięcioma śrubami.

Po zmianie drzwi należy sprawdzić czy uszczelki drzwi dobrze leżą na obudowie i czy wszystkie śruby są dobrze dokręcone.



Temperatury otoczenia

Rozszerzony zakres temperatur: To urządzenie chłodnicze przeznaczone jest do użytkowania w temperaturze otoczenia od 10°C do 32°C

Strefa umiarkowana: To urządzenie chłodnicze przeznaczone jest do użytkowania w temperaturze otoczenia od 16°C do 32°C;

Strefa subtropikalna: To urządzenie chłodnicze przeznaczone jest do użytkowania w temperaturze otoczenia od 16°C do 38°C;

Strefa tropikalna: To urządzenie chłodnicze przeznaczone jest do użytkowania w temperaturze otoczenia od 16°C do 43°C.

**Parametry produktu zgodnie z rozporządzeniem (UE)2019/2016**

Na podstawie standardowych wyników testów dla okresu 24 godzin. Rzeczywiste zużycie energii zależy od sposobu użytkowania urządzenia i jego lokalizacji

Model	HTW5618DN*	HTW5620DN*	HTW5618EN*
Typ urządzenia chłodniczego	Chłodziarko-zamrażarka	Chłodziarko-zamrażarka	Chłodziarko-zamrażarka
Klasa efektywności energetycznej	D	D	E
Roczne zużycie energii (kWh/rok)	217	226	271
Pojemność komory chłodziarki (L)	201	255	201
Pojemność komory zamrażarki (L)	125	125	125
Pojemność komory chłodzącej (L)	34	34	34
Klasa zamrażania	4 gwiazdki	4 gwiazdki	4 gwiazdki
Rodzaj rozmrażania	Automatyczne rozmrażanie	Automatyczne rozmrażanie	Automatyczne rozmrażanie
Czas wzrostu temperatury (h)	13	13	11
Wydajność zamrażania (kg/24h)	10,0	10,0	10,0
Klasa klimatyczna	SN.N.ST.T	SN.N.ST.T	SN.N.ST.T
Klasa emisji hałasu i emisja hałasu akustycznego w powietrzu (dB(A) re 1 pW)	B(35)	B(35)	B(35)



Model	HTW5618CN*	HTW5620CN*	HTW5620EN*
Typ urządzenia chłodniczego	Chłodziarko-zamrażarka	Chłodziarko-zamrażarka	Chłodziarko-zamrażarka
Klasa efektywności energetycznej	C	C	E
Roczne zużycie energii (kWh/rok)	173	181	283
Pojemność komory chłodziarki (L)	201	255	255
Pojemność komory zamrażarki (L)	125	125	125
Pojemność komory chłodzącej (L)	34	34	34
Klasa zamrażania	4 gwiazdki	4 gwiazdki	4 gwiazdki
Rodzaj rozmrażania	Automatyczne rozmrażanie	Automatyczne rozmrażanie	Automatyczne rozmrażanie
Czas wzrostu temperatury (h)	13	13	11
Wydajność zamrażania (kg/24h)	10,0	10,0	10,0
Klasa klimatyczna	SN.N.ST.T	SN.N.ST.T	SN.N.ST.T
Klasa emisji hałasu i emisja hałasu akustycznego w powietrzu (dB(A) re 1 pW)	B(35)	B(35)	B(35)



Model	HDPW5618DN*	HDPW5620DN* HDPW3620DN*	HTW7620CN*
Typ urządzenia chłodniczego	Chłodziarko-zamrażarka	Chłodziarko-zamrażarka	Chłodziarko-zamrażarka
Klasa efektywności energetycznej	D	D	C
Roczne zużycie energii (kWh/rok)	214	220	181
Pojemność komory chłodziarki (L)	201	255	255
Pojemność komory zamrażarki (L)	117	117	125
Pojemność komory chłodzącej (L)	34	34	34
Klasa zamrażania	4 gwiazdki	4 gwiazdki	4 gwiazdki
Rodzaj rozmrażania	Automatyczne rozmrażanie	Automatyczne rozmrażanie	Automatyczne rozmrażanie
Czas wzrostu temperatury (h)	13	13	13
Wydajność zamrażania (kg/24h)	10,0	10,0	10,0
Klasa klimatyczna	SN.N.ST.T	SN.N.ST.T	SN.N.ST.T
Klasa emisji hałasu i emisja hałasu akustycznego w powietrzu (dB(A) re 1 pW)	B(35)	B(35)	B(35)



Model	HDPW3618DN*	HDPW3620CN*	HTW3620DN*
Typ urządzenia chłodniczego	Chłodziarko-zamrażarka	Chłodziarko-zamrażarka	Chłodziarko-zamrażarka
Klasa efektywności energetycznej	D	C	D
Roczne zużycie energii (kWh/rok)	214	176	226
Pojemność komory chłodziarki (L)	201	255	255
Pojemność komory zamrażarki (L)	117	117	125
Pojemność komory chłodzącej (L)	34	34	34
Klasa zamrażania	4 gwiazdki	4 gwiazdki	4 gwiazdki
Rodzaj rozmrażania	Automatyczne rozmrażanie	Automatyczne rozmrażanie	Automatyczne rozmrażanie
Czas wzrostu temperatury (h)	13	13	13
Wydajność zamrażania (kg/24h)	10,0	10,0	10,0
Klasa klimatyczna	SN.N.ST.T	SN.N.ST.T	SN.N.ST.T
Klasa emisji hałasu i emisja hałasu akustycznego w powietrzu (dB(A) re 1 pW)	B(35)	B(35)	B(35)



Model	HDPW5618CN*	HDPW5620CN*	HDPW5620AN* HDPW7620AN*
Typ urządzenia chłodniczego	Chłodziarko-zamrażarka	Chłodziarko-zamrażarka	Chłodziarko-zamrażarka
Klasa efektywności energetycznej	C	C	A
Roczne zużycie energii (kWh/rok)	171	176	114
Pojemność komory chłodziarki (L)	201	255	255
Pojemność komory zamrażarki (L)	117	117	120
Pojemność komory chłodzącej (L)	34	34	34
Klasa zamrażania	4 gwiazdki	4 gwiazdki	4 gwiazdki
Rodzaj rozmrażania	Automatyczne rozmrażanie	Automatyczne rozmrażanie	Automatyczne rozmrażanie
Czas wzrostu temperatury (h)	13	13	16
Wydajność zamrażania (kg/24h)	10,0	10,0	10,0
Klasa klimatyczna	SN.N.ST.T	SN.N.ST.T	SN.N.ST.T
Klasa emisji hałasu i emisja hałasu akustycznego w powietrzu (dB(A) re 1 pW)	B(35)	B(35)	B(35)



Model	HDPW5620BN*	HTW7620DN*	HDPW7620AAN*
Typ urządzenia chłodniczego	Chłodziarko-zamrażarka	Chłodziarko-zamrażarka	Chłodziarko-zamrażarka
Klasa efektywności energetycznej	B	D	A
Roczne zużycie energii (kWh/rok)	142	226	92
Pojemność komory chłodziarki (L)	255	255	255
Pojemność komory zamrażarki (L)	120	125	120
Pojemność komory chłodzącej (L)	34	34	34
Klasa zamrażania	4 gwiazdki	4 gwiazdki	4 gwiazdki
Rodzaj rozmrażania	Automatyczne rozmrażanie	Automatyczne rozmrażanie	Automatyczne rozmrażanie
Czas wzrostu temperatury (h)	13	13	16
Wydajność zamrażania (kg/24h)	10,0	10,0	12,0
Klasa klimatyczna	SN.N.ST.T	SN.N.ST.T	SN.N.ST.T
Klasa emisji hałasu i emisja hałasu akustycznego w powietrzu (dB(A) re 1 pW)	B(35)	B(35)	B(35)



Model	HTW5618DW*		
Typ urządzenia chłodniczego	Chłodziarko-zamrażarka		
Klasa efektywności energetycznej	D		
Roczne zużycie energii (kWh/rok)	216		
Pojemność komory chłodziarki (L)	198		
Pojemność komory zamrażarki (L)	125		
Pojemność komory chłodzącej (L)	34		
Klasa zamrażania	4 gwiazdki		
Rodzaj rozmrażania	Automatyczne rozmrażanie		
Czas wzrostu temperatury (h)	13		
Wydajność zamrażania (kg/24h)	10,0		
Klasa klimatyczna	SN.N.ST.T		
Klasa emisji hałasu i emisja hałasu akustycznego w powietrzu (dB(A) re 1 pW)	B(35)		



Dodatkowe dane techniczne

Model	HTW5618DN*	HTW5618EN*	HTW5620DN*
Całkowita pojemność (L)	360	360	414
Napięcie / Częstotliwość	220-240 V ~ / 50 Hz	220-240 V ~ / 50 Hz	220-240 V ~ / 50 Hz
Natężenie wejściowe (A)	1,4	1,4	1,4
Bezpiecznik główny (A)	16	16	16
Chłodziwo	R600a(53g)	R600a(53g)	R600a(53g)
Wymiary (szer./gł./wys. w mm)	595*667*1850	595*667*1850	595*667*2050

Model	HTW5618CN*	HTW5620CN*	HTW5620EN*
Całkowita pojemność (L)	360	414	414
Napięcie / Częstotliwość	220-240 V ~ / 50 Hz	220-240 V ~ / 50 Hz	220-240 V ~ / 50 Hz
Natężenie wejściowe (A)	1,4	1,4	1,4
Bezpiecznik główny (A)	15	15	16
Chłodziwo	R600a (50g)	R600a (50g)	R600a(53g)
Wymiary (szer./gł./wys. w mm)	595*667*1850	595*667*2050	595*667*2050



Model	HDPW5618DN*	HDPW5620DN*	HDPW3620DN*
Całkowita pojemność (L)	352	406	406
Napięcie / Częstotliwość	220-240 V ~ / 50 Hz	220-240 V ~ / 50 Hz	220-240 V ~ / 50 Hz
Natężenie wejściowe (A)	1,4	1,4	1,4
Bezpiecznik główny (A)	16	16	16
Chłodziwo	R600a(53g)	R600a(53g)	R600a(53g)
Wymiary (szer./gf./wys. w mm)	595*667*1850	595*667*2050	595*667*2050

Model	HDPW5618CN*	HDPW5620CN*	HDPW5620AN*
Całkowita pojemność (L)	352	406	409
Napięcie / Częstotliwość	220-240 V ~ / 50 Hz	220-240 V ~ / 50 Hz	220-240 V ~ / 50 Hz
Natężenie wejściowe (A)	1,4	1,4	1,4
Bezpiecznik główny (A)	15	15	16
Chłodziwo	R600a (50g)	R600a (50g)	R600a (50g)
Wymiary (szer./gf./wys. w mm)	595*667*1850	595*667*2050	595*667*2050



Dodatkowe dane techniczne

Model	HDPW3618DN*	HDPW3620CN*	HTW3620DN*
Całkowita pojemność (L)	352	406	414
Napięcie / Częstotliwość	220-240 V ~ / 50 Hz	220-240 V ~ / 50 Hz	220-240 V ~ / 50 Hz
Natężenie wejściowe (A)	1,4	1,4	1,4
Bezpiecznik główny (A)	16	15	16
Chłodziwo	R600a(53g)	R600a(50g)	R600a(53g)
Wymiary (szer./gf./wys. w mm)	595*667*1850	595*667*2050	595*667*2050

Model	HDPW7620AAAN*	HDPW5620BN*	HDPW7620AN*
Całkowita pojemność (L)	409	409	409
Napięcie / Częstotliwość	220-240 V ~ / 50 Hz	220-240 V ~ / 50 Hz	220-240 V ~ / 50 Hz
Natężenie wejściowe (A)	1,4	1,4	1,4
Bezpiecznik główny (A)	16	16	16
Chłodziwo	R600a(55g)	R600a(50g)	R600a(50g)
Wymiary (szer./gf./wys. w mm)	595*667*2050	595*667*2050	595*667*2050

**Dodatkowe dane techniczne**

Model	HTW7620DN*	HTW7620CN*	HTW5618DW*
Całkowita pojemność (L)	414	414	357
Napięcie / Częstotliwość	220-240 V ~ / 50 Hz	220-240 V ~ / 50 Hz	220-240 V ~ / 50 Hz
Natężenie wejściowe (A)	1,4	1,4	1,4
Bezpiecznik główny (A)	16	15	16
Chłodziwo	R600a(53g)	R600a(50g)	R600a(53g)
Wymiary (szer./gł./wys. w mm)	595*667*2050	595*667*2050	595*667*1850



Polecamy nasz system Obsługi Klienta Haier i stosowanie oryginalnych części zamiennych.

Jeśli masz problem z urządzeniem, najpierw sprawdź sekcję **ROZWIĄZYWANIE PROBLEMÓW**.

Jeżeli nie możesz znaleźć rozwiązania, skontaktuj się

- ▶ z lokalnym sprzedawcą lub
- ▶ naszym Europejskim Centrum Obsługi Klienta (zob. poniżej wymienione numery telefonów) lub
- ▶ obszarem serwisu i wsparcia na stroniewww.haier.com, gdzie można aktywować zgłoszenie
- ▶ serwisowe i znaleźć odpowiedzi na najczęściej zadawane pytania.

Zanim skontaktujesz się z naszym działem obsługi, upewnij się, że masz następujące dane.

Informacje można znaleźć na tabliczce znamionowej.

Model _____

Nr seryjny _____

Sprawdź także kartę gwarancyjną dostarczoną z produktem.

Europejskie Centrum Obsługi Klienta		
Kraj*	Numer telefonu	Koszty
Haier Italy (IT)	199 100 912	
Haier Spain (ES)	902 509 123	
Haier Germany (DE)	0180 5 39 39 99	<ul style="list-style-type: none"> • 14 centów/min. telefon stacjonarny • maks. 42 centów/min. telefon komórkowy
Haier Austria (AT)	0820 001 205	<ul style="list-style-type: none"> • 14,53 centów/min. telefon stacjonarny • maks. 20 centów/min. wszystkie pozostałe
Haier United Kingdom (UK)	0333 003 8122	
Haier France (FR)	0980 406 409	



* Numery innych krajów można znaleźć na stronie www.haier.com

Haier Europe Trading S.r.l
Oddział Wielka Brytania
Westgate House, Westgate, Ealing
Londyn, W5 1YY

*Okres gwarancji na urządzenie chłodnicze:

Minimalna gwarancja wynosi: 2 lata dla krajów UE, 3 lata dla Turcji, 1 rok dla Wielkiej Brytanii, 1 rok dla Rosji, 3 lata dla Szwecji, 2 lata dla Serbii, 5 lat dla Norwegii, 1 rok dla Maroka, 6 miesięcy dla Algierii, w Tunezji nie jest wymagana gwarancja prawna.

*Okres dla części zamiennych do naprawy urządzenia:

Termostaty, czujniki temperatury, płytki drukowane i źródła światła są dostępne przez okres co najmniej siedem lat od wprowadzenia na rynek ostatniego egzemplarza modelu.

Klamki, zawiasy drzwi, tace i kosze przez okres co najmniej siedem lat, a uszczelki drzwi przez okres co najmniej 10 lat od wprowadzenia na rynek ostatniego egzemplarza modelu.

Aby uzyskać więcej informacji o produkcie, odwiedź stronę internetową <https://eprel.ec.europa.eu/> lub zeskanuj kod QR na etykiecie wydajności energetycznej dołączonej do urządzenia.

<u>5</u> Informações de segurança	<u>Antes da primeira utilização</u>	6
	<u>Instalação</u>	6
	<u>Utilização diária</u>	7
<u>10</u> Utilização prevista		
<u>11</u> Descrição do produto		
<u>22</u> Painel de controlo		
<u>23</u> Utilização	<u>Ajuste a temperatura para o frigorífico</u>	24
	<u>Ajustar a temperatura do congelador</u>	24
	<u>Ajustar a temperatura para My Zone</u>	24
	<u>Função Super Cool</u>	25
	<u>Função Super Freeze</u>	26
<u>31</u> Equipamento		
<u>35</u> Dicas de poupança de energia		
<u>36</u> Cuidados e limpeza		
<u>39</u> Resolução de problemas		
<u>43</u> Instalação		
<u>47</u> Dados técnicos		
<u>58</u> Assistência ao Cliente		



Clique no conteúdo para ver as informações pormenorizadas.



Obrigado por comprar um produto Haier.

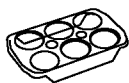
Leia atentamente estas instruções antes de utilizar este aparelho. As instruções contêm informações importantes que irão ajudá-lo a obter o melhor proveito do aparelho e garantir a instalação, o uso e a manutenção seguros e adequados.

Mantenha este manual num local conveniente para que o possa sempre consultar para uma utilização segura e adequada do aparelho.

Se vender, oferecer ou deixar o aparelho para trás, caso mude de casa, certifique-se de que entrega também este manual para que o novo proprietário se possa familiarizar com o aparelho e os avisos de segurança.

Acessórios

Verifique os acessórios e a literatura de acordo com esta lista:



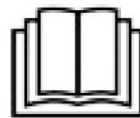
Bandeja
para ovos



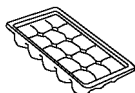
Etiqueta
energética



Cartão
de garantia



Manual
do utilizador



Bandeja
de cubos de gelo



Dobradiças
da porta



Tampa
da dobradiça



Inserção
da tampa

**AVISO - Informações de segurança importantes****NOTA - Informações gerais e dicas****Informação ambiental****Eliminação**

Ajude a proteger o ambiente e a saúde humana. Coloque a embalagem em recipientes adequados para reciclagem. Ajude a reciclar resíduos de aparelhos elétricos e eletrónicos. Não elimine os aparelhos identificados com este símbolo com o lixo doméstico. Entregue o produto na sua unidade de reciclagem local ou entre em contacto com seu gabinete municipal.

**AVISO!**

Risco de lesão ou sufocação!

Os refrigerantes e os gases devem ser eliminados de forma profissional. Certifique-se de que os tubos do circuito refrigerante não estão danificados antes de serem devidamente eliminados. Desligue o aparelho da alimentação elétrica. Corte o cabo de alimentação de rede e elimine-o. Remova as bandejas e gavetas, bem como a pega e vedantes da porta, para evitar que crianças e animais de estimação se fechem no interior do aparelho.



Antes de ligar o aparelho pela primeira vez, leia as seguintes dicas de segurança:



AVISO!

Antes da primeira utilização

- ▶ Certifique-se de que não há danos provocados pelo transporte.
- ▶ Remova todas as embalagens e mantenha-as fora do alcance das crianças.
- ▶ Aguarde no mínimo duas horas antes de instalar o aparelho, de forma a garantir que o circuito refrigerante está com eficiência total.
- ▶ Manuseie o aparelho sempre com pelo menos duas pessoas porque é pesado.

Instalação

- ▶ O aparelho deve ser colocado num local bem ventilado. Certifique-se de que existe um espaço de, pelo menos, 10 cm por cima e ao redor do aparelho.
- ▶ Nunca coloque o aparelho numa área húmida ou num local onde possa ser salpicado com água. Limpe e seque as salpicos de água e manchas com um pano macio limpo.
- ▶ Não instale o aparelho sob luz solar direta ou na proximidade de fontes de calor (por exemplo, fogões, aquecedores).
- ▶ Instale e nivele o aparelho numa área adequada para o seu tamanho e utilização.
- ▶ Mantenha as aberturas de ventilação no aparelho ou na estrutura embutida livres de obstruções.
- ▶ Certifique-se de que as informações elétricas na placa de classificação correspondem à rede elétrica. Se não, entre em contato com um electricista.
- ▶ O aparelho é operado por uma fonte de alimentação de 220-240 VAC/50 Hz. Uma flutuação da tensão anormal pode fazer com que o aparelho não ligue ou danifique o controlo da temperatura ou o compressor, ou pode haver um ruído anormal durante o funcionamento. Nesse caso, deve ser montado um regulador automático.
- ▶ Não use adaptadores de fichas múltiplas nem cabos de extensão.
- ▶ Não coloque tomadas triplas múltiplas portáteis ou fontes de alimentação portáteis na parte traseira do aparelho.
- ▶ Certifique-se de que o cabo de alimentação não fica preso pelo frigorífico. Não pise o cabo de alimentação.



AVISO!

- ▶ Use uma tomada de terra separada para a rede elétrica que seja fácil de aceder. Este aparelho deve ser ligado à terra.
Apenas para o Reino Unido: O cabo de alimentação do aparelho está equipado com uma ficha de 3 cabos (terra) que se encaixa numa tomada standard de 3 cabos (ligada à terra). Nunca corte ou desmonte o terceiro pino (terra). Após a instalação do aparelho, a tomada deve ficar acessível.
- ▶ Não danifique o circuito refrigerante.

Utilização diária

- ▶ Este aparelho pode ser utilizado por crianças de idade igual ou superior a 8 anos e por pessoas com capacidades físicas, sensoriais ou mentais reduzidas ou falta de experiência e conhecimento, caso lhes tenha sido fornecida supervisão ou instruções relativas à utilização do aparelho de forma segura e desde que compreendam os perigos envolvidos.
- ▶ As crianças de 3 a 8 anos são autorizadas a carregar e descarregar, mas não podem limpar e instalar os aparelhos de refrigeração.
- ▶ Mantenha as crianças com menos de 3 anos de idade afastadas do aparelho, a menos que estejam constantemente sob supervisão.
- ▶ As crianças não devem brincar com o aparelho.
- ▶ Se o gás refrigerante ou outro gás inflamável verter perto do aparelho, desligue a válvula do gás de fuga, abra as portas e janelas e não desligue uma ficha no cabo de alimentação do frigorífico ou de qualquer outro aparelho.
- ▶ Notar que o aparelho está definido para funcionar num intervalo de temperatura ambiente específico entre 10 °C e 43 °C. O aparelho não pode funcionar corretamente se for deixado por um longo período a uma temperatura acima ou abaixo do intervalo indicado.
- ▶ Não coloque artigos instáveis (objetos pesados, recipientes cheios de água) em cima do frigorífico, para evitar lesões pessoais causadas por queda ou choque elétrico causado pelo contacto com a água.
- ▶ Não puxe pelas prateleiras da porta. A porta pode inclinar-se, o suporte de garrafas pode sair para fora ou o aparelho pode tombar.
- ▶ Abra e feche as portas apenas pelas pegas. O espaço entre as portas e entre as portas e o armário é muito estreito. Não ponha as mãos nessas áreas para evitar entalar os dedos. Abra ou feche as portas do frigorífico apenas quando não houver crianças dentro do alcance do movimento das portas.



AVISO!

- ▶ Não guarde nem use materiais inflamáveis, explosivos ou corrosivos no aparelho ou nas proximidades.
- ▶ Não guarde medicamentos, bactérias ou agentes químicos no aparelho. Este aparelho é um eletrodoméstico. Não é recomendado armazenar materiais que necessitem de temperaturas rigorosas.
- ▶ Nunca guarde líquidos em garrafas ou latas (exceto bebidas alcoólicas) especialmente bebidas gaseificadas no congelador, porque estas rebentam quando congeladas.
- ▶ Verifique o estado dos alimentos caso ocorra aquecimento no congelador.
- ▶ Não ajuste uma temperatura desnecessariamente baixa no frigorífico. Podem ocorrer temperaturas negativas com altas definições. Atenção: As garrafas podem rebentar
- ▶ Não toque em artigos congelados com as mãos húmidas (use luvas). Especialmente não coma gelados de gelo imediatamente depois de os retirar do congelador. Existe o risco de congelar ou de se formarem bolhas de queimadura por gelo. PRIMEIROS socorros: passar imediatamente por água fria corrente. Não puxe!
- ▶ Não toque na superfície interna do compartimento do congelador, quando em funcionamento, especialmente com as mãos molhadas, pois as mãos podem congelar na superfície.
- ▶ Desligue o aparelho em caso de interrupção da energia ou antes da limpeza. Deixe passar pelo menos 7 minutos antes de reiniciar o aparelho, pois o arranque frequente pode danificar o compressor.
- ▶ Não utilize dispositivos elétricos no interior dos compartimentos para armazenamento de comida do aparelho, a não ser que sejam do tipo recomendado pelo fabricante. Manutenção/limpeza
- ▶ Certifique-se de que as crianças estão vigiadas caso estejam a realizar a limpeza e manutenção.
- ▶ Desligue o aparelho da alimentação elétrica antes de realizar qualquer manutenção de rotina. Deixe passar pelo menos 5 minutos antes de voltar a ligar o aparelho pois o arranque frequente pode danificar o compressor.



AVISO!

- ▶ Segure a ficha, não o cabo, ao desligar o aparelho.
- ▶ Não limpe o aparelho com escovas duras, escovas de arame, detergente em pó, gasolina, acetato de amilo, acetona e soluções orgânicas semelhantes, soluções ácidas ou alcalinas. Limpe com detergente especial do frigorífico para evitar danos.
- ▶ Não raspe o gelo com objetos afiados. Não use sprays, aquecedores elétricos, como secadores de cabelo, dispositivos de limpeza a vapor ou outras fontes de calor, de forma a evitar danos às peças plásticas.
- ▶ Não utilize dispositivos mecânicos ou outros meios para acelerar o processo de descongelação, que não os recomendados pelo fabricante.
- ▶ Se o cabo de alimentação estiver danificado, tem de ser substituído pelo fabricante, pelo agente de serviço ou por pessoas igualmente qualificadas de forma a evitar o perigo.
- ▶ Não tente reparar, desmontar ou modificar o aparelho sozinho. Em caso de reparação, entre em contacto com a nossa assistência ao cliente.
- ▶ Elimine o pó na parte de trás da unidade pelo menos uma vez no ano para evitar perigo de incêndio, bem como o aumento do consumo de energia.
- ▶ Não pulverize ou lave o aparelho durante a limpeza.
- ▶ Não use spray de água ou vapor para limpar o aparelho.
- ▶ Não lave prateleiras de vidro frias com água quente. A mudança súbita de temperatura pode fazer com que o vidro se quebre.

Informações sobre gases refrigerantes



AVISO!

O aparelho contém o refrigerante inflamável ISOBUTANO (R600a). Certifique-se de que o circuito refrigerante não fica danificado durante o transporte ou instalação. A fuga de refrigerante pode causar lesões oculares ou inflamações. Se ocorrer um dano, mantenha afastadas fontes de chama aberta, ventile completamente a sala, não ligue ou desligue os cabos de alimentação do eletrodoméstico ou de qualquer outro aparelho. Informe a assistência ao cliente.

No caso de os olhos entrarem em contacto com o fluido refrigerante, lave-os imediatamente sob água corrente e contacte imediatamente um oftalmologista.



Utilização prevista

Este aparelho destina-se a arrefecer e congelar alimentos. Foi desenhado exclusivamente para uso em aplicações domésticas e semelhantes, como áreas de cozinha para pessoal em lojas, escritórios e outros ambientes de trabalho; casas agrícolas e por clientes em hotéis, motéis e outros ambientes de tipo residencial, bem como em negócios de pousada e de catering.

Não se destina a utilização comercial ou industrial.

Não são permitidas alterações ou modificações no aparelho. Uma utilização indevida pode causar riscos e perda de reivindicações de garantia.

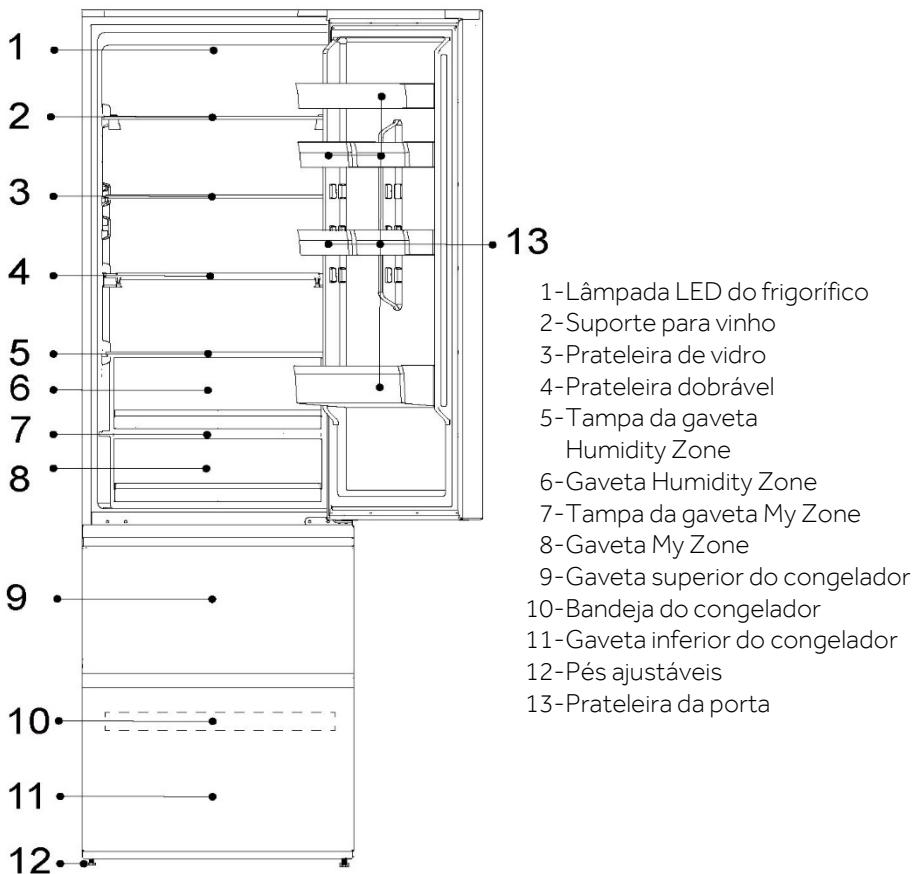
Normas e diretivas

Este produto cumpre os requisitos de todas as diretivas CE aplicáveis com as normas harmonizadas correspondentes, que permitem a marcação CE.

**i** NOTA

Devido a alterações técnicas e a modelos diferentes, algumas das ilustrações neste manual podem ser diferentes do modelo.

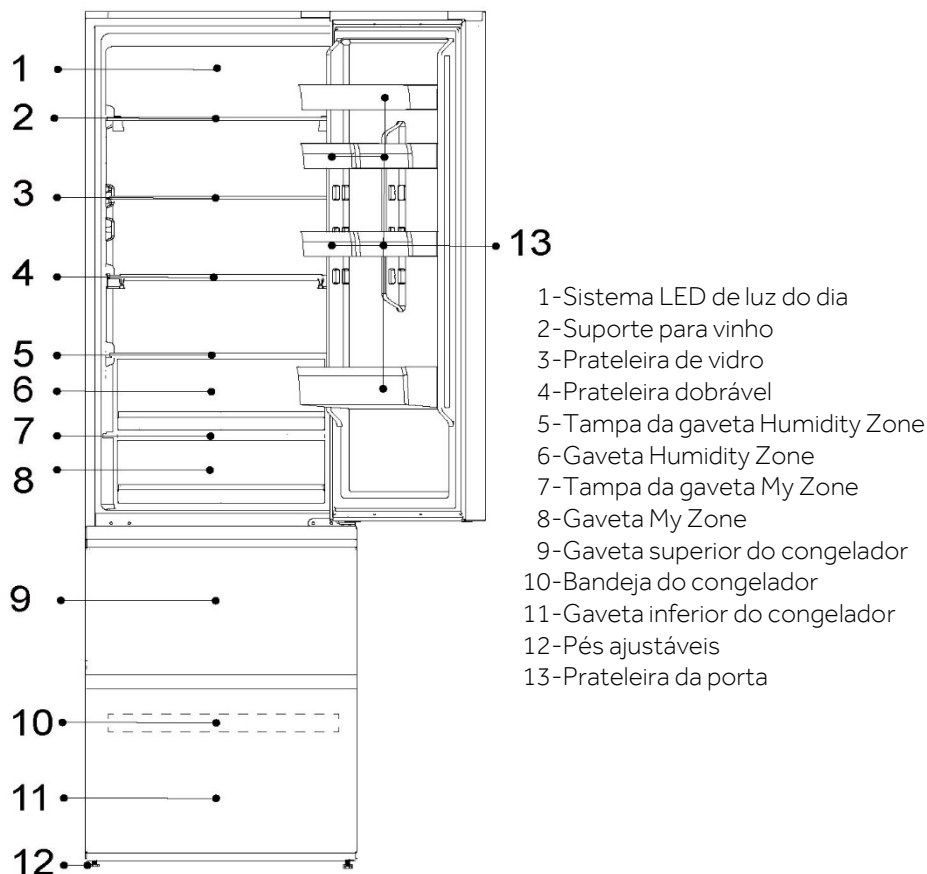
(HTW5620DN*, HTW5620CN*, HTW5620EN*)



i **NOTA**

Devido a alterações técnicas e a modelos diferentes, algumas das ilustrações neste manual podem ser diferentes do modelo.

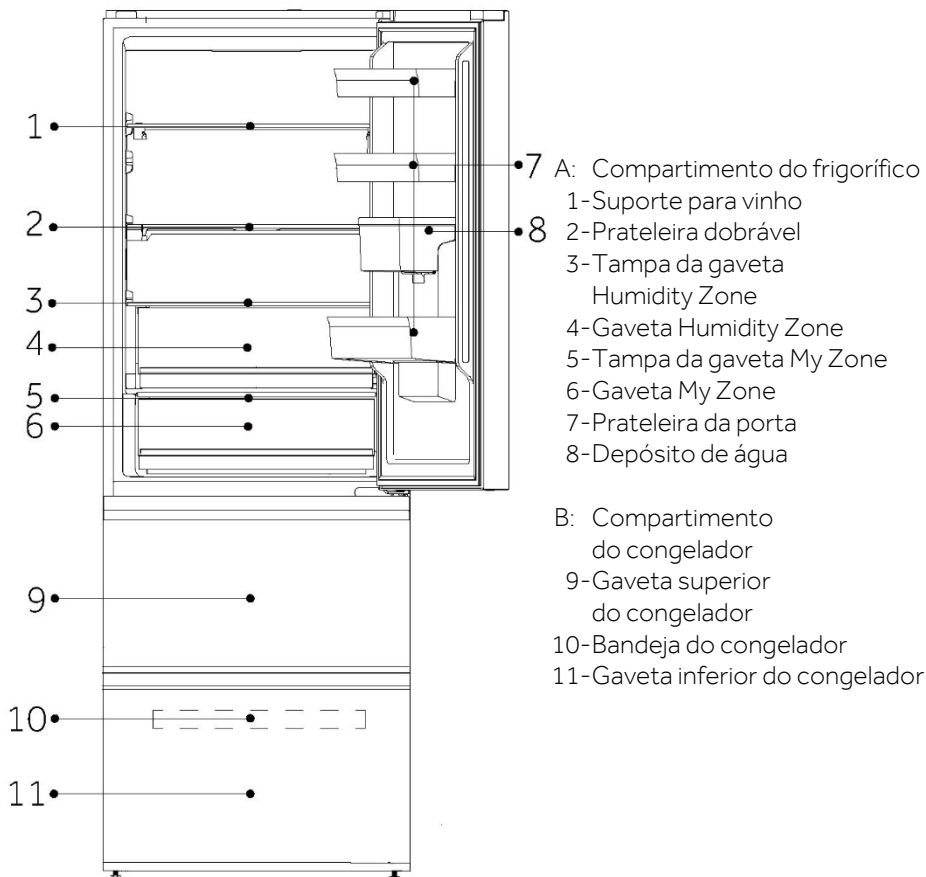
(HTW7620AN*, HTW7620CN*, HTW7620DN*)



**i** NOTA

Devido a alterações técnicas e a modelos diferentes, algumas das ilustrações neste manual podem ser diferentes do modelo.

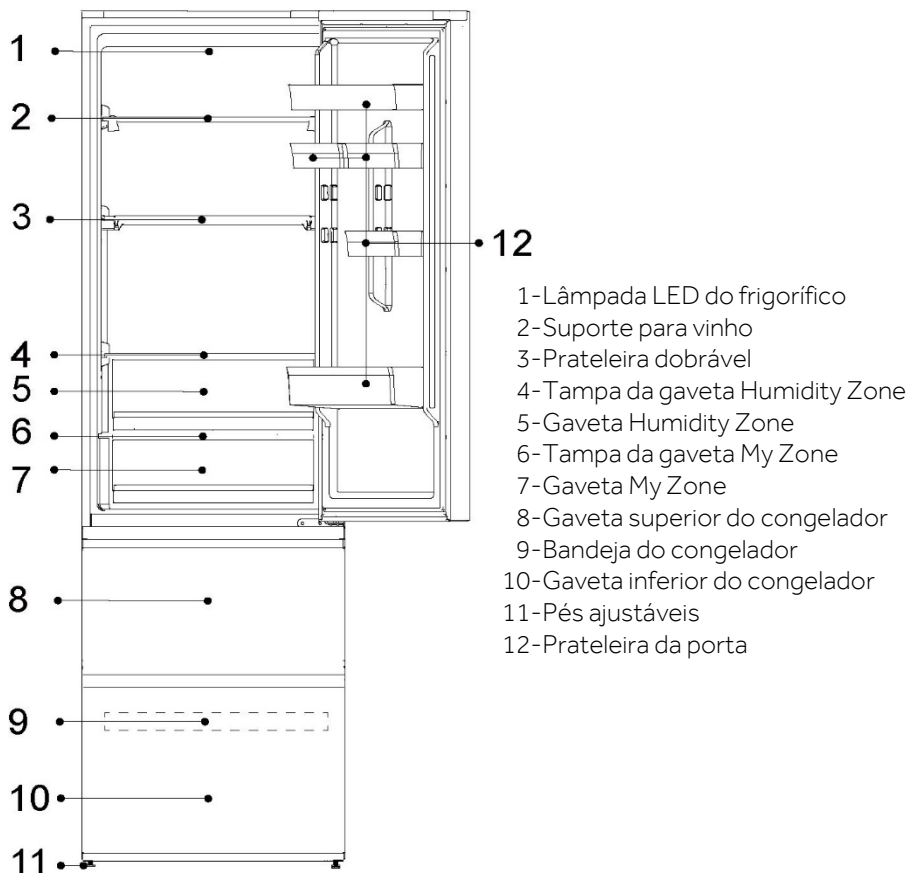
(HTW5618DW*)



i NOTA

Devido a alterações técnicas e a modelos diferentes, algumas das ilustrações neste manual podem ser diferentes do modelo.

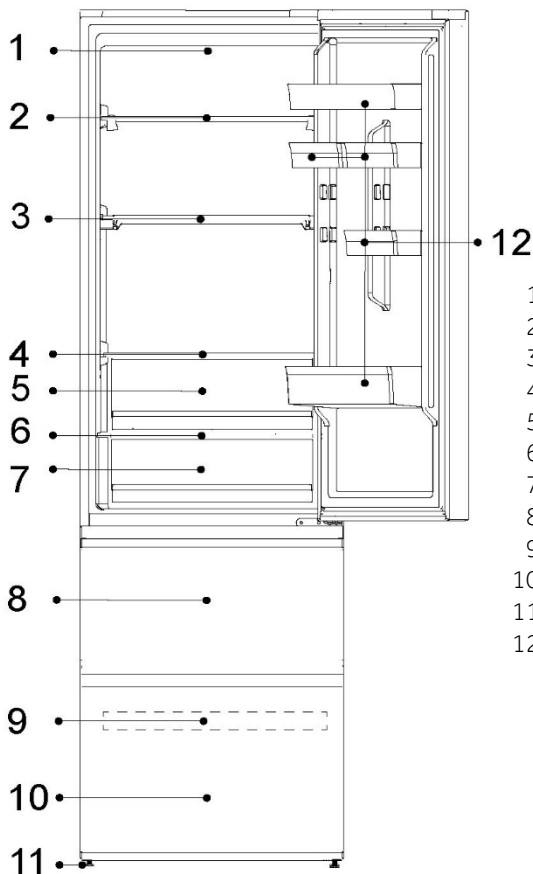
(HTW5618DN*, HTW5618CN*, HTW5618EN*)



**i** NOTA

Devido a alterações técnicas e a modelos diferentes, algumas das ilustrações neste manual podem ser diferentes do modelo.

(HTW3620DN*)

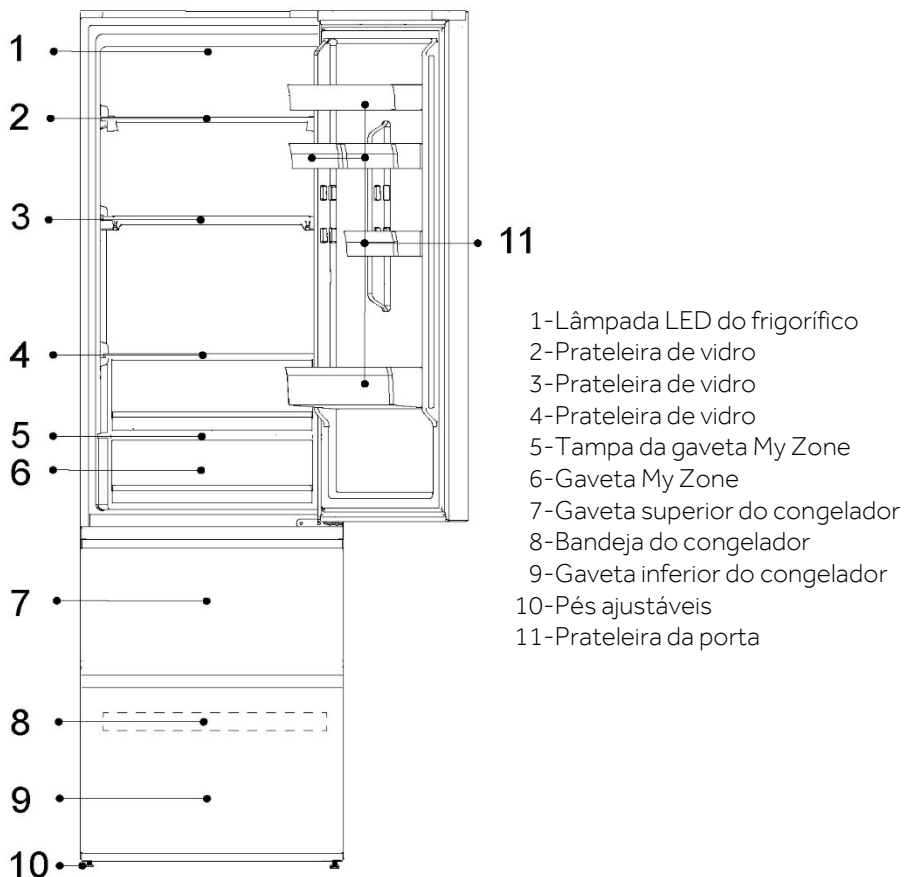


- 1-Lâmpada LED do frigorífico
- 2-Prateleira de vidro
- 3-Prateleira de vidro
- 4-Prateleira de vidro
- 5-Prateleira de vidro
- 6-Tampa da gaveta My Zone
- 7-Gaveta My Zone
- 8-Gaveta superior do congelador
- 9-Bandeja do congelador
- 10-Gaveta inferior do congelador
- 11-Pés ajustáveis
- 12-Prateleira da porta

i **NOTA**

Devido a alterações técnicas e a modelos diferentes, algumas das ilustrações neste manual podem ser diferentes do modelo.

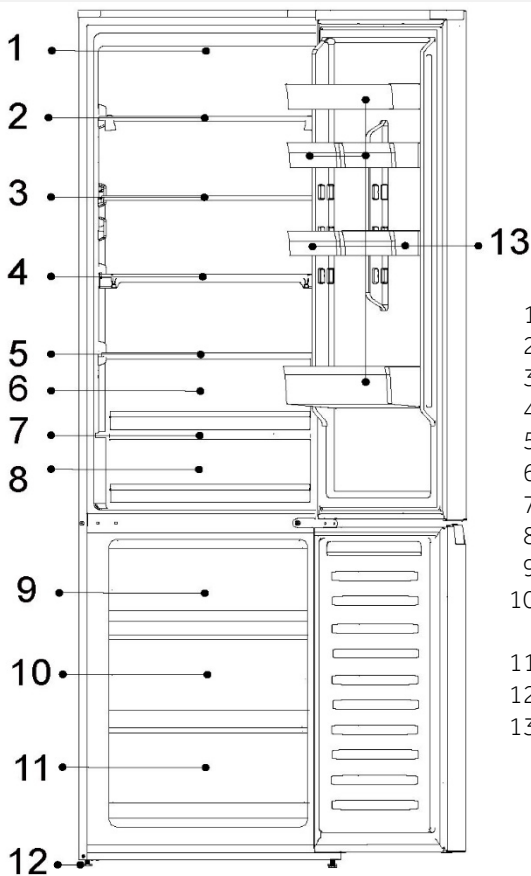
(HTW3618DN*, HTW3618CN*, HTW3618EN*)



i NOTA

Devido a alterações técnicas e a modelos diferentes, algumas das ilustrações neste manual podem ser diferentes do modelo.

(HDPW5620DN*, HDPW5620CN*, HDPW5620AN*, HDPW5620BN*)



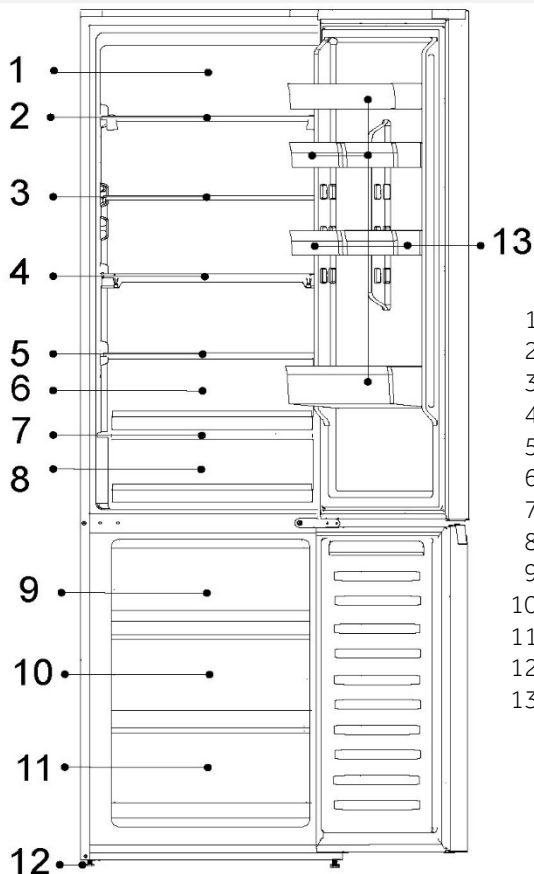
- 1-Lâmpada LED do frigorífico
- 2-Suporte para vinho
- 3-Prateleira de vidro
- 4-Prateleira dobrável
- 5-Tampa da gaveta Humidity Zone
- 6-Gaveta Humidity Zone
- 7-Tampa da gaveta My Zone
- 8-Gaveta My Zone
- 9-Gaveta superior do congelador
- 10-Gaveta intermédia do congelador
- 11-Gaveta inferior do congelador
- 12-Pés ajustáveis
- 13-Prateleira da porta



i NOTA

Devido a alterações técnicas e a modelos diferentes, algumas das ilustrações neste manual podem ser diferentes do modelo.

(HDPW7620AN*, HDPW7620AAN*)

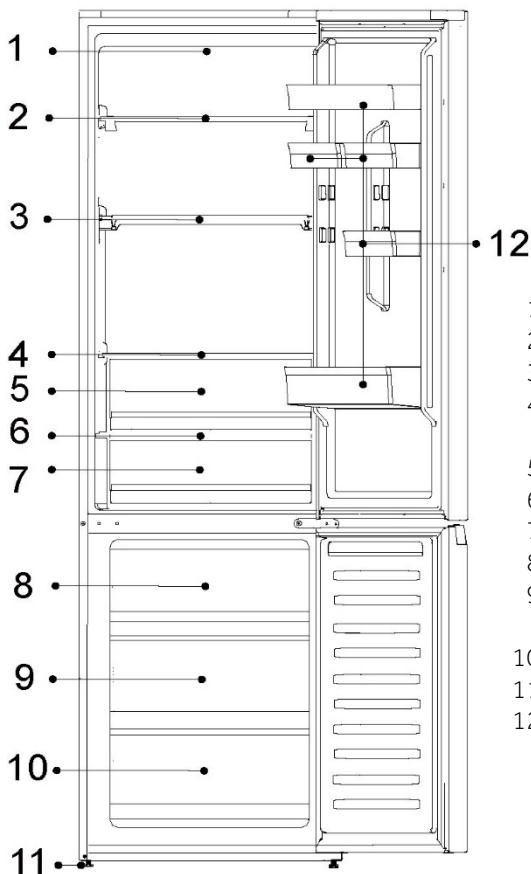


- 1-Sistema LED de luz do dia
- 2-Suporte para vinho
- 3-Prateleira de vidro
- 4-Prateleira dobrável
- 5-Tampa da gaveta Humidity Zone
- 6-Gaveta Humidity Zone
- 7-Tampa da gaveta My Zone
- 8-Gaveta My Zone
- 9-Gaveta superior do congelador
- 10-Gaveta intermédia do congelador
- 11-Gaveta inferior do congelador
- 12-Pés ajustáveis
- 13-Prateleira da porta

**i** NOTA

Devido a alterações técnicas e a modelos diferentes, algumas das ilustrações neste manual podem ser diferentes do modelo.

(HDPW5618DN*, HDPW5618CN*)

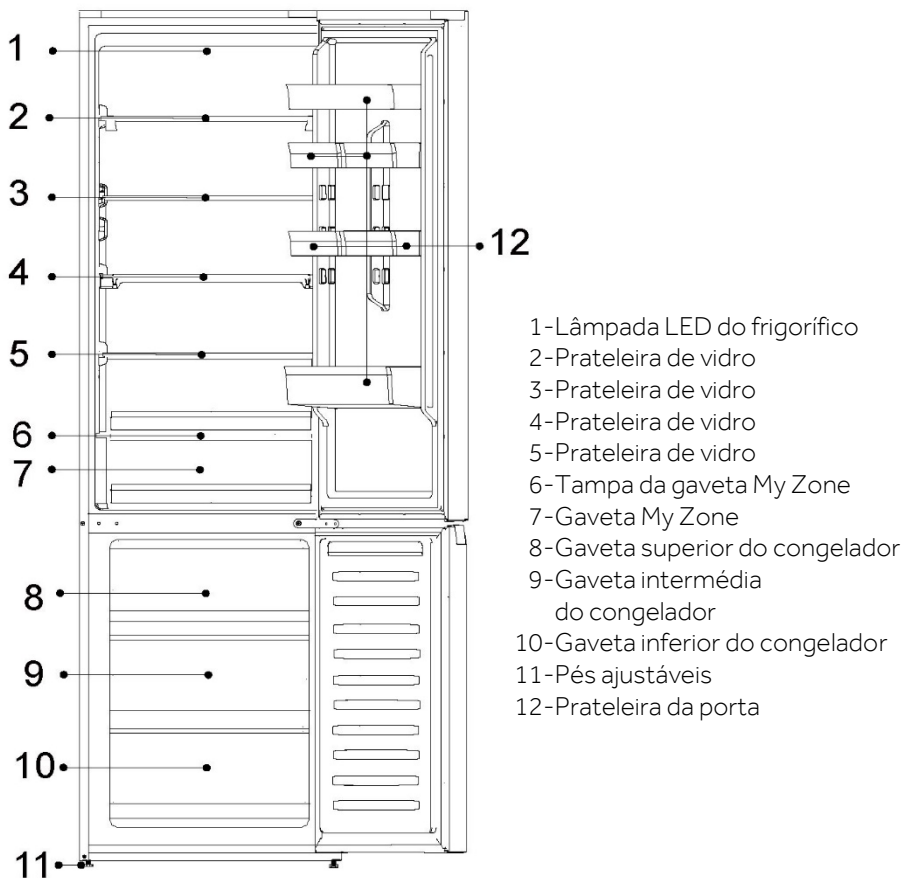


- 1-Lâmpada LED do frigorífico
- 2-Suporte para vinho
- 3-Prateleira dobrável
- 4-Tampa da gaveta Humidity Zone
- 5-Gaveta Humidity Zone
- 6-Tampa da gaveta My Zone
- 7-Gaveta My Zone
- 8-Gaveta superior do congelador
- 9-Gaveta intermédia do congelador
- 10-Gaveta inferior do congelador
- 11-Pés ajustáveis
- 12-Prateleira da porta

i NOTA

Devido a alterações técnicas e a modelos diferentes, algumas das ilustrações neste manual podem ser diferentes do modelo.

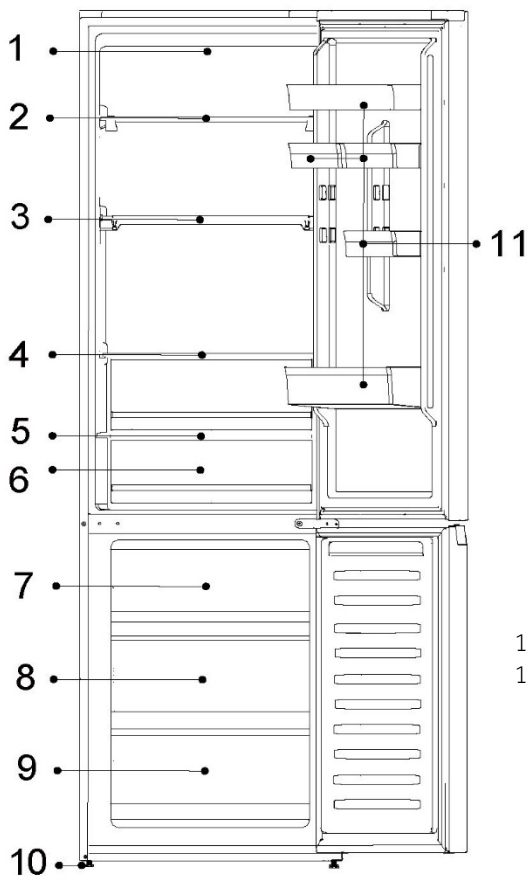
(HDPW3620DN*, HDPW3620CN*)



**i** NOTA

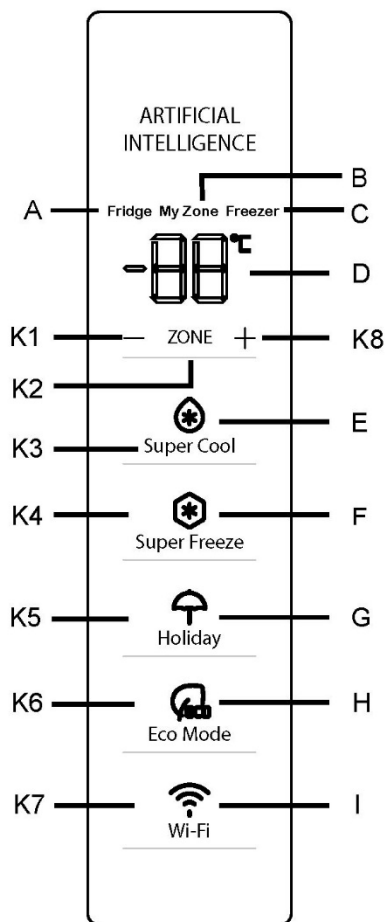
Devido a alterações técnicas e a modelos diferentes, algumas das ilustrações neste manual podem ser diferentes do modelo.

(HDPW3618DN*)



- 1-Lâmpada LED do frigorífico
- 2-Prateleira de vidro
- 3-Prateleira de vidro
- 4-Prateleira de vidro
- 5-Tampa da gaveta My Zone
- 6-Gaveta My Zone
- 7-Gaveta superior do congelador
- 8-Gaveta intermédia do congelador
- 9-Gaveta inferior do congelador
- 10-Pés ajustáveis
- 11-Prateleira da porta

Painel de controlo



Indicadores:

- A Compartimento do frigorífico
- B Compartimento de arrefecimento (My Zone)
- C Compartimento do congelador
- D Indicação da temperatura
- E Função Super Cool
- F Função Super Freeze
- G Função Holiday
- H Função Eco Mode | Função Wi-Fi

Botões:

- K1 Diminuir a temperatura
- K2 Seleção Fridge, My Zone e Freezer
- K3 Ligar/Desligar função Super Cool
- K4 Ligar/Desligar a função Super Freeze
- K5 Ligar/Desligar a função Holiday
- K6 Ligar/Desligar função Eco Mode
- K7 Ligar/Desligar função Wi-Fi
- K8 Aumentar a temperatura

Antes da primeira utilização

Remova todos os materiais de embalagem e mantenha-os fora do alcance das crianças e elimine-os de forma ecológica.

Limpe o interior e o exterior do aparelho, bem como o interior e os acessórios com água e um detergente suave, e seque bem com um pano macio.

Após o aparelho ter sido nivelado e limpo, aguarde pelo menos 2 horas antes de o ligar à rede elétrica. Consulte a secção **INSTALAÇÃO**.

Pré-arrefeça os compartimentos com definições elevadas antes de carregar com alimentos. A função Super Freeze ajuda a arrefecer rapidamente o compartimento do congelador

Teclas do sensor

Os botões no painel de controlo são teclas de sensor que respondem logo quando tocadas levemente com o dedo.

Ligar/Desligar o aparelho

O aparelho fica em funcionamento assim que for ligado à rede elétrica.

Quando o aparelho é ligado pela primeira vez, os indicadores de temperatura "D" mostram os valores de predefinição (consulte o aviso abaixo).

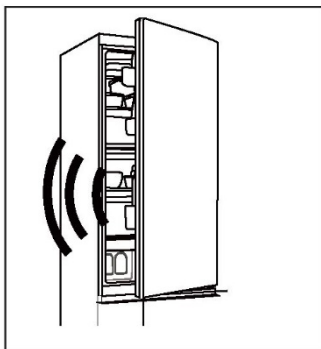
NOTA

O aparelho está predefinido para a temperatura recomendada de 5 °C (frigorífico) e -18 °C (congelador). A temperatura da My Zone está predefinida para cerca de 2 °C. Estas são as definições recomendadas. Se desejar, pode alterar estas temperaturas manualmente.

Alarme de abertura da porta

Quando a porta do frigorífico fica aberta durante mais de 3 minutos, o alarme de abertura da porta soa.

O alarme pode ser silenciado fechando a porta. Se a porta ficar aberta durante mais de 7 minutos, a luz no interior do frigorífico e a iluminação do painel de controlo apagam-se automaticamente.



Ajustar a temperatura

As temperaturas interiores são influenciadas pelos seguintes fatores:

- ▶ Temperatura ambiente
- ▶ Frequência de abertura da porta
- ▶ Quantidade de alimentos armazenados
- ▶ Instalação do aparelho



Ajuste a temperatura para o frigorífico

1. Premir o botão "K2" (seleção Fridge/(My Zone)/Freezer) para selecionar o compartimento do frigorífico. O ícone "A" (compartimento do frigorífico) e "D" (exibição de temperatura) estão luminosos.

2. Prima o botão "K1/K8" para ajustar a temperatura do frigorífico.

A temperatura aumenta em sequências de 1°C, de um mínimo de 2°C a um máximo de 8°C. A temperatura ótima no frigorífico é de 5°C. Temperaturas mais frias significam um consumo desnecessário de energia.

3. Depois de cerca de 5s, o ícone de temperatura "D" (Visor de temperatura) fica aceso permanentemente e a definição está confirmada.

Ajustar a temperatura do congelador

1. Prima o botão "K2" (seleção Fridge/(My Zone)/Freezer) para selecionar a °C do congelador. O ícone "C" (congelador) e "D" (temperatura) estão acesos.

2. Prima o botão "K1/K8" para ajustar a temperatura do congelador.

A temperatura aumenta em sequências de 1°C, de um mínimo de -24°C a um máximo de -16°C. A temperatura ideal no frigorífico é -18. Temperaturas mais frias representam um consumo de energia desnecessário.

3. Depois de cerca de 5s, o indicador de temperatura "D" (Visor de temperatura) fica aceso permanentemente e a definição está confirmada.

Ajustar a temperatura para My Zone

O compartimento do frigorífico está equipado com uma gaveta My Zone. De acordo com as necessidades de armazenamento dos alimentos, a temperatura mais adequada pode ser selecionada para obter o valor nutricional ideal dos alimentos.

1. Premir o botão "K2" (seleção Fridge/(My Zone)/Freezer) para selecionar o compartimento My Zone. O ícone "B" (compartimento My Zone) e "D" (exibição de temperatura) estão acesos.

2. Prima o botão "K1/K8" para ajustar a temperatura My Zone.

A temperatura aumenta em sequências de 1°C, de um mínimo de 0°C a um máximo de 5°C.

3. Depois de cerca de 5s, o ícone de temperatura "D" (Visor de temperatura) fica aceso permanentemente e a definição está confirmada.



i NOTA

1. Pode definir a temperatura do compartimento My Zone para o nível médio (2°C), a fim de preservar os seus alimentos no ambiente de armazenamento ideal.
2. Devido a diferentes conteúdos de água da carne, alguma carne com mais humidade será congelada a temperaturas inferiores a 0°C. Assim, a carne "acabada de cortar" deve ser armazenada na gaveta My Zone, com uma temperatura mínima de 0°C.
3. Frutas sensíveis ao frio como ananases, abacates, bananas, toranjas e legumes como batatas, beringelas, feijão, pepinos, abobrinhas e tomates e queijos não devem ser armazenados na gaveta My Zone
4. Se a temperatura do frigorífico for inferior à temperatura My Zone, é normal a temperatura My Zone ser menor do que a temperatura definida da My Zone
5. Se a temperatura ambiente for inferior a 8°C, a temperatura da gaveta My Zone estará sempre próxima de 0°C.

i NOTA

Após a definição da temperatura, se outros botões forem premidos dentro de 5 segundos, a regulação da temperatura atual será confirmada imediatamente. Se não for premido nenhum botão dentro de 5 segundos, a temperatura atualmente regulada é exibida até o ecrã se apagar.

i NOTA

A partir da aplicação é possível personalizar a temperatura para o frigorífico, o congelador e a My Zone. A temperatura pode ser ajustada com sensibilidade de 1°C.

Função Super Cool

1. Sugere-se ligar a função Super Cool se se tiver de guardar uma grande quantidade de alimentos (por exemplo após uma ida às compras). A função Super Cool acelera o arrefecimento de alimentos frescos e protege os alimentos armazenados de aquecimento indesejável.
2. Prima o botão "K3" ou ative-o a partir da aplicação, o ícone "E" (Função Super Cool) fica aceso e a função é ativada.



i NOTA

1. O aparelho deixa a função "Super Cool" depois de entrar na "função Super Cool" durante 6 horas ou premindo o botão "K3" quando o ícone "E" (função Super Cool) fica aceso ou desligar da aplicação.
2. No estado de Super Cool, se se ajustar a temperatura do compartimento do frigorífico, o ícone "E" (função Super Cool) pisca para indicar que esta operação não pode ser realizada.

Função Super Freeze

1. Os alimentos frescos devem ser congelados o mais rapidamente possível até ao núcleo. Isto ajuda a preservar o melhor valor nutricional, a aparência e o sabor. A função Super Freeze acelera o arrefecimento de alimentos frescos e protege os alimentos já armazenados de aquecimento indesejável. Se precisar de congelar uma grande quantidade de alimentos de uma vez, recomenda-se definir a função Super Freeze atempadamente 24h antes da utilização do congelador.
2. Prima o botão "K4" (definição da função Super Freeze) ou ligue a partir da aplicação, o ícone "F" (função Super Freeze) fica aceso e a função é ativada.

i NOTA

1. O aparelho deixa a função "Super Freeze" depois de entrar na "função Super Freeze" durante 50 horas ou premindo o botão "K4" quando o ícone "F" (função Super Freeze) fica aceso ou desligar da aplicação.
2. No estado de Super Freeze, se se ajustar a temperatura do compartimento do congelador, o ícone "F" (função Super Freeze) pisca para indicar que esta operação não pode ser feita.

Função Holiday

A função Holiday pode ser usada para reduzir o consumo de energia do aparelho, quando não é usado regularmente. Quando a função estiver ligada, o frigorífico está desligado, enquanto o congelador continua a funcionar normalmente. A função ajusta a temperatura do frigorífico permanentemente a 17°C.

Isto permite manter a porta do frigorífico vazia fechada sem causar cheiro ou mofo - durante uma longa ausência (p.ex. durante as férias). O compartimento do congelador pode ser configurado ao seu gosto.

1. Prima o botão "K5" (função Holiday on/off) ou selecione a função da aplicação, o ícone "G" (função Holiday) fica aceso e a função é ativada.



2. A função pode ser desativada premindo novamente o botão "K5" (ligar/desligar função Holiday) ou ajustando a temperatura do frigorífico ou realizando qualquer outra configuração ou desligando-a da aplicação.

i NOTA

1. Durante a função Holiday, nenhum alimento deve ser guardado no compartimento do frigorífico. A temperatura de 17 °C é demasiado elevada para armazenar alimentos.
2. Quando a função Holiday está ligada, o ícone My Zone continua desligado e a função do frigorífico está bloqueada. Se a temperatura do compartimento do frigorífico for ajustada, o ícone "G" (função Holiday) pisca para indicar que esta operação não pode ser feita.

Função Eco Mode

O modo Eco Mode pode ser ativado para otimizar o desempenho do aparelho, obtendo-se simultaneamente o melhor armazenamento de alimentos. Se não tiver quaisquer requisitos especiais, recomendamos que utilize a função Eco Mode.

Neste modo, a temperatura do frigorífico é de 5 °C, a temperatura do congelador é de -18 °C.


1. Prima o botão "K6" (Ligar/Desligar função Eco Mode) ou selecione a função da aplicação.
2. O ícone "H" (função Eco Mode) está aceso e a função é ativada.

Repetindo os passos acima ou selecionando uma outra função, ou desligando da aplicação, esta função pode ser desligada novamente. Os níveis de refrigeração definidos anteriormente são restaurados.

i NOTA

Durante a função Eco Mode, se a temperatura do compartimento frigorífico/congelador for ajustada, o ícone "H" (função Eco Mode) pisca para indicar que esta operação não pode ser feita.


Passo 1 Faça download da aplicação hOn nas lojas.



Passo 2 Crie a sua conta na aplicação hOn ou faça login se já tiver uma conta.



Passo 3 Siga as instruções de emparelhamento na aplicação hOn.



Função Wi-Fi

1. Siga as instruções da aplicação para configurar o Wi-Fi.
2. Logo que o Wi-Fi esteja configurado e a conexão estabelecida, o ícone Wi-Fi "I" fica aceso e fixo.
3. Se o Wi-Fi já estiver configurado, será reconectado automaticamente de acordo com as informações de configuração se se ligar o Wi-Fi.

NOTA

1. Para desligar o Wi-Fi, prima o botão Wi-Fi "K7" e o ícone Wi-Fi "I" desliga-se.
2. Para ativar o Wi-Fi e iniciar a configuração, prima o botão Wi-Fi "K7" e o ícone Wi-Fi "I" começa a piscar lentamente. Se quiser configurar a função Wi-Fi, prima o botão "K7" durante 3 segundos, o ícone Wi-Fi pisca rapidamente e entra no modo de configuração. Se quiser desligar a função Wi-Fi, prima uma vez o botão "K7". Os passos acima são repetidos.
3. Se o produto estiver configurado e a função Wi-Fi tiver sido desligada, o frigorífico não entrará no modo de configuração assim que for novamente conectado à energia elétrica.

NOTA

1. Este produto não se destina a utilização comercial.
2. A potência máxima de saída RF:2.4 GHz Wi-Fi:16dBm;
3. Bluetooth LE:5dBm; Bluetooth (BR/EDR):10dBm.
4. Faixa de frequência de funcionamento: 2400-2483,5 MHz.



Guardar no compartimento do frigorífico

- Mantenha a temperatura do frigorífico inferior a 5°C.
- Os alimentos quentes devem ser arrefecidos até à temperatura ambiente antes de serem armazenados no aparelho.
- Os alimentos armazenados no frigorífico devem ser lavados e secos antes de serem armazenados.
- Os alimentos a armazenar devem estar devidamente selados para evitar alterações no aroma ou no sabor.
- Não guarde quantidades excessivas de alimentos. Deixe espaços entre os alimentos para permitir que o ar frio flua ao seu redor, para um arrefecimento melhor e mais homogéneo.
- Os alimentos consumidos diariamente devem ser guardados na frente da prateleira.
- Deixe um espaço entre os alimentos e as paredes internas, permitindo que o ar flua. Em caso algum, armazene alimentos encostados à parede traseira: os alimentos podem congelar contra a parede traseira. Evite o contacto direto dos alimentos (especialmente os alimentos oleosos ou ácidos) com o revestimento interno, pois o óleo / ácido pode erodir o revestimento interno. Limpe a sujidade oleosa/ácida sempre que for encontrada.
- Os alimentos congelados podem ser delicadamente descongelados no compartimento do frigorífico. Isto economiza energia.
- O processo de envelhecimento da fruta e dos legumes, como curgetes, melões, papaia, banana, ananases, etc. pode ser acelerado no frigorífico. Portanto, não é recomendado armazená-los no frigorífico. No entanto, o amadurecimento de frutas muito verdes pode ser promovido durante um determinado período. Cebolas, alho, gengibre e outros legumes radiculares também devem ser armazenados à temperatura ambiente.
- Odores desagradáveis dentro do frigorífico são um sinal de que algo foi derramado e é necessário limpar. Ver Cuidados e Limpeza.
- Diferentes alimentos devem ser colocados em diferentes áreas, de acordo com as suas propriedades.

Armazenamento no congelador

- Mantenha a temperatura do congelador a -18°C.
- 24 horas antes de congelar, ligue a função Super-Freeze. Para pequenas quantidades de alimentos, 4-6 horas são suficientes.
- Os alimentos quentes devem ser arrefecidos até à temperatura ambiente antes de serem armazenados no congelador.
- Alimentos cortados em pequenas porções irão congelar mais depressa e serão mais fáceis de descongelar e cozinhar. O peso recomendado para cada porção é inferior a 2,5 kg



- É melhor embalar os alimentos antes de os colocar no congelador. O exterior da embalagem deve estar seco para evitar que os sacos se colem uns aos outros. Os materiais de embalagem devem estar isentos de odores, serem herméticos, não serem venenosos nem tóxicos.
- Para evitar a expiração dos períodos de conservação, tome nota da data de congelamento, do prazo e o nome dos alimentos na embalagem, de acordo com os períodos de armazenamento dos diferentes alimentos.



AVISO!

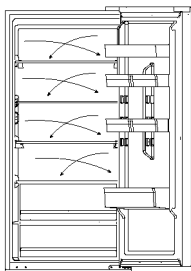
- ▶ Ácido, alcalino e sal, etc. podem erodir a superfície interna do congelador.
- ▶ Não coloque alimentos com estas substâncias (p.ex. peixe de mar) diretamente na superfície interna. A água salgada no congelador deve ser limpa imediatamente.
- ▶ Não exceda o tempo de armazenamento de alimentos recomendado pelos fabricantes. Retire apenas a quantidade necessária de alimentos do congelador.
- ▶ Consuma os alimentos descongelados rapidamente. Os alimentos descongelados não podem ser congelados novamente, a menos que sejam primeiro cozinhados.
- ▶ Não coloque quantidades excessivas de alimentos frescos no congelador. Consulte a capacidade de congelação do congelador - Ver DADOS TÉCNICOS ou dados na placa do tipo.
- ▶ Os alimentos podem ser armazenados no congelador a uma temperatura mínima de -18°C durante 2 a 12 meses, dependendo das suas propriedades (por exemplo, carne: 3-12 meses, legumes: 6-12 meses)
- ▶ Quando congelar alimentos frescos, evite pô-los em contato com alimentos já congelados. Risco de descongelamento!

Ao armazenar alimentos congelados comercialmente, siga estas diretrizes:

- Siga sempre as diretrizes dos fabricantes relativas ao período de tempo que deve armazenar alimentos. Não exceda estas diretrizes!
- Tente manter o tempo entre a compra e o armazenamento o mais curto possível para preservar a qualidade dos alimentos.
- Compre alimentos congelados que tenham sido armazenados a uma temperatura igual ou inferior a -18°C .
- Evite comprar alimentos com gelo ou gelo na embalagem - Isto indica que os produtos podem ter sido parcialmente descongelados e congelados em algum momento - a temperatura afeta a qualidade dos alimentos.

i NOTA

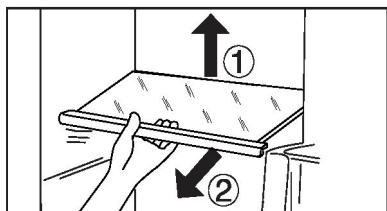
Devido a diferentes modelos, o seu produto pode não ter todas as seguintes características. Consulte o capítulo Descrição do Produto.!



Fluxo de ar múltiplo

O frigorífico está equipado com um sistema de fluxo de ar múltiplo que oferece fluxos de ar frio em cada nível de prateleira. Isso ajuda a manter uma temperatura uniforme para garantir que a sua comida é mantida mais fresca durante mais tempo.

Prateleira ajustável



1. A altura das prateleiras pode ser ajustada para se adaptar às suas necessidades de armazenamento.
2. Para transferir uma prateleira, remova-a primeiro levantando a sua extremidade traseira ① e puxando-a para fora ②.
3. Para a reinstalar, coloque-a sobre as patilhas dos dois lados e empurre-a para a posição mais para trás até que a parte traseira da prateleira fique fixa no interior das ranhuras nos lados

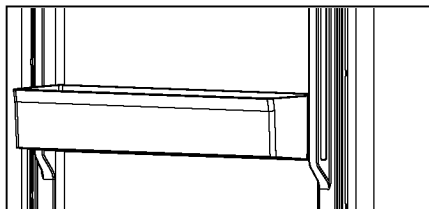
i NOTA

Certifique-se de que todas as extremidades de uma prateleira estão niveladas.

Prateleira da porta removível

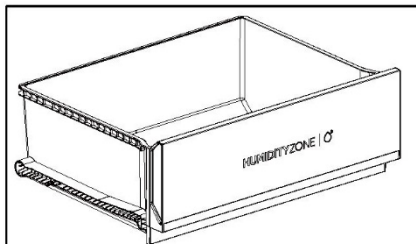
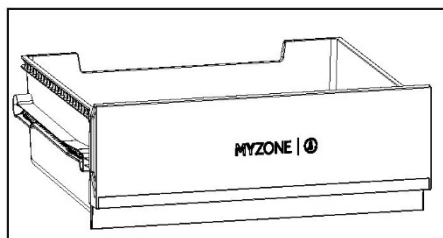
A prateleira da porta pode ser removida para limpeza:

Coloque as mãos de cada lado da prateleira, levante-a para cima (1) e puxe-a para fora (2). Para inserir a prateleira da porta, deve executar os passos acima pela ordem inversa



Gaveta My Zone

Para usar e configurar o compartimento My Zone, por favor verifique a secção USE (My Zone).



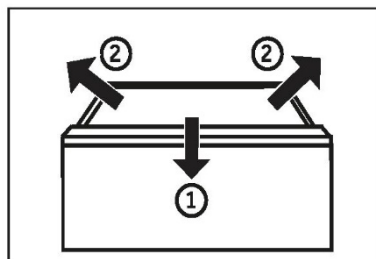
Gaveta Humidity Zone

Neste compartimento, o nível de humidade é controlado automaticamente pelo sistema e é adequado para armazenar frutas, legumes, saladas, etc.

Gaveta amovível

Para retirar a gaveta do compartimento do frigorífico ou do congelador, puxar ao máximo (1), levantar e retirar (2).

Para inserir a gaveta, os passos acima são executados em ordem inversa.



Gaveta do congelador

A gaveta do congelador pode ser estendida a direito e completamente. Estão montadas num carril telescópico que desliza facilmente. Para que possa armazenar e remover os alimentos congelados confortavelmente. Graças ao mecanismo de fecho automático da porta, o manuseamento é fácil e consegue poupar energia.

**AVISO!**

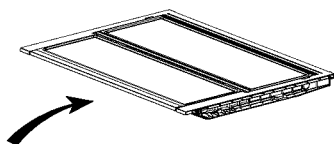
Não sobrecarregue as gavetas: Carga máxima de cada gaveta: 35 kg!

A Luz

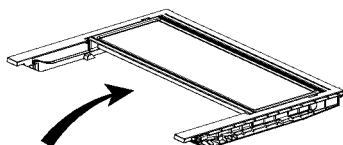
A luz interior LED acende-se quando a porta é aberta. O desempenho das luzes não é afetado por nenhuma das outras definições de aparelhos.

Prateleira dobrável

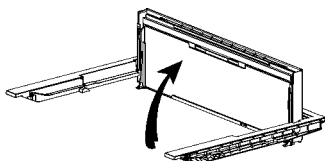
A prateleira dobrável permite ao utilizador colocar garrafas ou itens altos nas prateleiras. A prateleira pode ser dobrada na parte traseira e o espaço disponível da prateleira inferior será maior. A prateleira pode ser dobrada de acordo com o Passo 1-3. Se quiser retornar ao local original, inverta os seguintes procedimentos.



Passo 1: Empurre a dianteira da prateleira lentamente até ao fim.



Passo 2: Empurre a prateleira para cima lentamente até à sua posição vertical.



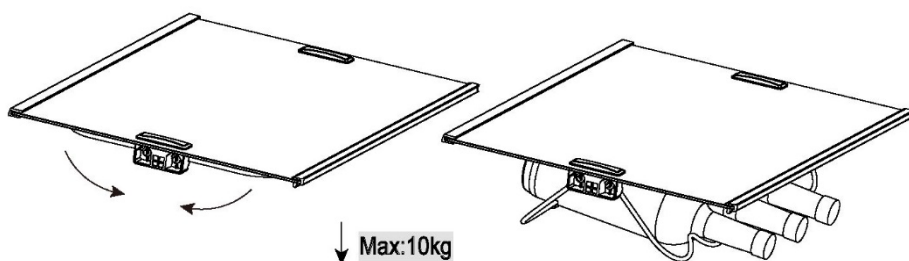
Passo 3: A prateleira fica na vertical. Vai dar mais espaço.

Suporte para vinhos dobrável

Para utilização normal

1. Puxe para baixo os apoios do suporte para vinhos
2. Encaixe as garrafas dentro do suporte

Quando não estiver a usar, o suporte para vinhos pode ser dobrado para trás para poupar espaço.





Dicas de poupança de energia

- ▶ Certifique-se de que o aparelho está devidamente ventilado (ver INSTALAÇÃO).
- ▶ Não instale o aparelho sob luz solar direta ou na proximidade de fontes de calor (por ex., fogões, aquecedores).
- ▶ Evite temperaturas desnecessariamente baixas no aparelho. O consumo de energia aumenta com a diminuição da temperatura de ajuste no aparelho.
- ▶ As funções como SUPER FREEZE consomem mais energia.
- ▶ Deixe os alimentos arrefecer antes de os colocar no aparelho.
- ▶ Abra a porta do aparelho o mínimo e tão brevemente quanto possível.
- ▶ Não encha demasiado o aparelho para evitar obstruir o fluxo de ar.
- ▶ Evite ar dentro das embalagens de alimentos.
- ▶ Mantenha os vedantes da porta limpos para que a porta feche sempre corretamente.
- ▶ Descongele alimentos congelados no compartimento de armazenamento do frigorífico ou utilize a função D-Frost na gaveta My Zone.
- ▶ A configuração mais economizadora de energia implica que a gaveta, caixa de alimentos e prateleiras estejam posicionadas no aparelho tal como vêm de fábrica, e que os alimentos sejam colocados sem bloquear a saída de ar das condutas.

**AVISO!**

Desligue o aparelho da rede elétrica antes de limpar.

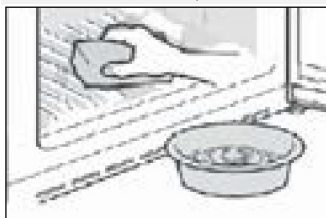
Limpeza

Limpe o aparelho quando apenas tiver armazenado pouca ou nenhuma comida.

O aparelho deve ser limpo a cada quatro semanas para uma boa manutenção e para evitar maus odores de alimentos armazenados.

**AVISO!**

- ▶ Não limpe o aparelho com escovas duras, escovas de arame, detergente em pó, gasolina, acetato de amilo, acetona e soluções orgânicas semelhantes, soluções ácidas ou alcalinas. Limpe com detergente especial do frigorífico para evitar danos.
- ▶ Não pulverize ou lave o aparelho durante a limpeza.
- ▶ Não use spray de água ou vapor para limpar o aparelho.
- ▶ Não lave prateleiras de vidro frias com água quente. A mudança súbita de temperatura pode fazer com que o vidro se quebre.
- ▶ Não toque na superfície interna do compartimento do congelador, especialmente com as mãos molhadas, pois as mãos podem congelar na superfície.
- ▶ No caso de aquecimento, verificar a condição das mercadorias congeladas.



- ▶ Mantenha a junta de vedação da porta sempre limpa.
- ▶ Limpe o interior e a caixa do aparelho com uma esponja molhada em água morna e detergente neutro.
- ▶ 1. Esfregue o interior e o exterior do frigorífico, incluindo junta do vedante da porta, prateleira da porta, prateleiras de vidro, caixas e assim por diante, com uma toalha macia ou esponja embebida em água morna (pode adicionar-se detergente neutro).
- ▶ 2. Se houver líquido derramado, remova todas as partes contaminadas, lave-as diretamente com água corrente, seque e coloque novamente no frigorífico.
- ▶ 3. Se houver derramamento de produtos cremosos (como natas, gelado derretido), remova todas as peças contaminadas, coloque-as em água morna a cerca de 40 °C durante algum tempo, passe por água corrente, seque e volte a colocar no frigorífico.
- ▶ 4. Caso alguma peça ou componente pequeno entre no interior do frigorífico (entre as prateleiras ou gavetas), use uma pequena escova macia para a liberar. Se não conseguir alcançar a peça, entre em contato com a assistência da Haier
- ▶ Enxague e seque com um pano macio.



- ▶ Não limpe nenhuma das peças do aparelho numa máquina de lavar loiça.
- ▶ Deixe passar pelo menos 5 minutos antes de voltar a ligar o aparelho pois o arranque frequente pode danificar o compressor.

Descongelo

O descongelamento do compartimento do frigorífico e do congelador é feito automaticamente; não é necessária qualquer operação manual.

Substituir as lâmpadas LED



AVISO!

Não substitua a luz LED sozinho, esta apenas deve ser substituída pelo fabricante ou por um agente de serviço autorizado.

A lâmpada é do tipo LED com um baixo consumo de energia e longa vida útil.

Se houver alguma anomalia, entre em contacto com a assistência ao cliente.

Consulte a ASSISTÊNCIA AO CLIENTE.

Parâmetros das lâmpadas:

Parte	Lâmpada LED
Tensão	12V
Potência máx.	1.5W
Especif. LED	Branco-2835
Classe de eficiência de LED	G
Temperatura de utilização	-40~80°C

HDPW7620*, HTW7620*

Parte	Lâmpada LED
Tensão	12V
Potência máx.	8W
Especif. LED	Branco-4014
Classe de eficiência de LED	G
Temperatura de utilização	-30~60°C

Não utilizar durante um período prolongado

Se o aparelho não for utilizado durante um período de tempo prolongado e caso não tenha utilizado a função Holiday para o frigorífico:

Retire os alimentos.

Desligue o cabo de alimentação.

Limpe o aparelho conforme descrito acima.

Mantenha as portas abertas para evitar a criação de maus odores no interior.



NOTA

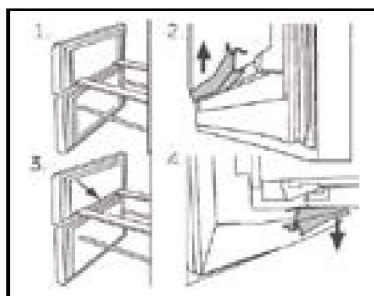
Desligue o aparelho apenas se estritamente necessário.



Juntas de porta auxiliares amovíveis

Existem seis juntas de porta auxiliares nas gavetas superiores e inferiores do congelador.

1. Localize as cinco juntas de porta indicadas nas gavetas superiores e inferiores do congelador.
2. Certifique-se de que as partes dobradas das juntas ficam voltadas para dentro ao prender.
3. Localize a juntar inferior da gaveta superior conforme indicado.
4. Certifique-se de que a parte dobrada desta junta aponta para baixo ao prender. Pode obter essas juntas, bem como as juntas rotativas da porta/gaveta através do serviço de atendimento ao cliente (ver cartão de garantia).



Mover o aparelho

1. Remova todos os alimentos e desligue o aparelho.
2. Fixe as prateleiras e outras peças móveis no frigorífico e no congelador com fita adesiva.
3. Não incline o frigorífico mais de 45° para evitar danificar o sistema de refrigeração.



AVISO!

- ▶ Não levante o aparelho pelas suas pegas.
- ▶ Nunca coloque o aparelho na horizontal no chão.

Muitos problemas que ocorrem podem ser resolvidos por si mesmo sem experiência específica. Em caso de problema, por favor verifique todas as possibilidades apresentadas e siga as instruções abaixo antes de contactar um serviço pós-venda. Consulte a ASSISTÊNCIA AO CLIENTE.



AVISO!

- ▶ Antes da manutenção, desative o aparelho e desligue a ficha da tomada.
- ▶ Os equipamentos elétricos devem ser reparados apenas por eletricitistas qualificados, uma vez que reparações inadequadas podem causar danos consequenciais consideráveis.
- ▶ Se o cabo de alimentação estiver danificado, este apenas pode ser substituído pelo fabricante, pelo agente de serviço ou por pessoas igualmente qualificadas de forma a evitar o perigo.

Tabela de resolução de problemas

Problema	Causa possível	Possível solução
O compressor não funciona.	A ficha de alimentação não está ligada na tomada de alimentação.	Conecte a ficha principal.
	O aparelho está no ciclo de descongelação.	Isto é normal para um descongelamento automático.
O aparelho funciona frequentemente ou funciona por um período de tempo demasiado longo.	A temperatura interior ou exterior é muito alta.	Neste caso, é normal que o aparelho funcione mais tempo.
	O aparelho foi desligado da alimentação por um período de tempo.	Normalmente, demora 8 a 12 horas até o aparelho arrefecer completamente.
	Uma porta/gaveta do aparelho não está bem fechada.	Feche a porta/gaveta e certifique-se de que o aparelho está colocado num piso plano e de que não existe qualquer alimento ou recipiente a obstruir a porta.
	A porta/gaveta foi aberta com muita frequência ou durante muito tempo.	Não abra a porta/gaveta com muita frequência.
	A temperatura regulada para o congelador é muito baixa.	Regule uma temperatura mais elevada até obter uma temperatura satisfatória do frigorífico. Demora 24 horas até a temperatura do frigorífico se tornar estável.
	A junta de vedação da porta/gaveta está suja, gasta, fissurada ou não é adequada.	Limpe a junta da porta/gaveta ou peça à assistência ao cliente que a substitua.
A circulação de ar necessária não é garantida.	Assegure uma ventilação adequada.	



Problema	Causa possível	Possível solução
O interior do frigorífico está sujo e/ou com cheiro.	O interior do frigorífico precisa de ser limpo. Alimentos com forte odor estão armazenados no frigorífico.	Limpe o interior do frigorífico. Embrulhe os alimentos completamente.
Não está frio o suficiente dentro do aparelho.	A temperatura definida é demasiado alta.	Volte a regular a temperatura
	Alimentos muito quentes foram armazenados.	Arrefeça sempre os alimentos antes de os guardar.
	Foram armazenados demasiados alimentos de uma vez.	Guarde sempre pequenas quantidades de alimentos.
	Os alimentos estão demasiado próximos uns dos outros.	Deixe um intervalo entre os vários alimentos permitindo o fluxo de ar.
	Uma porta/gaveta do aparelho não está bem fechada.	Feche a porta/gaveta.
	A porta/gaveta foi aberta com muita frequência ou durante muito tempo.	Não abra a porta/gaveta com muita frequência.
Está demasiado frio no interior do aparelho.	A temperatura é demasiado baixa.	Repor a temperatura.
	A função Super Freeze está ativada ou está a funcionar há demasiado tempo.	Desligue a função Super Freeze.
Formação de humidade no interior do compartimento do frigorífico.	O clima é demasiado quente e demasiado húmido.	Aumente a temperatura.
	Uma porta/gaveta do aparelho não está bem fechada.	Feche a porta/gaveta.
	A porta/gaveta foi aberta com muita frequência ou durante muito tempo.	Não abra a porta/gaveta com muita frequência.
	Recipientes para alimentos ou líquidos foram deixados abertos.	Deixe os alimentos quentes arrefecerem até à temperatura ambiente e cubra os alimentos e líquidos.
A humidade acumula-se nos frigoríficos fora da superfície ou entre as portas/porta e gaveta.	O clima é demasiado quente e demasiado húmido.	Isso é normal num clima húmido e mudará quando a humidade diminuir.
	A porta/gaveta não está totalmente fechada.	Certifique-se de que a porta/gaveta está bem fechada.
Os ícones no ecrã piscam sucessivamente e o sistema de arrefecimento não funciona.	Está em modo de demonstração	O frigorífico está ligado à corrente elétrica Prima e mantenha premido o botão "ZONE" e clique no botão "Eco Mode" cinco vezes e, em seguida, os ícones deixam de piscar sucessivamente.



Problema	Causa possível	Possível solução
Gelo forte e geada no compartimento do congelador.	Os alimentos não foram devidamente embalados.	Embale sempre bem os alimentos.
	Uma porta/gaveta do aparelho não está bem fechada.	Fechete a porta/gaveta.
	A porta/gaveta foi aberta com muita frequência ou durante muito tempo.	Não abra a porta/gaveta com muita frequência.
	A junta de vedação da porta/gaveta está suja, gasta, fissurada ou não é adequada.	Limpe a junta de vedação da porta/gaveta ou substitua por novas.
	Algo no interior está a impedir que a porta/gaveta feche corretamente.	Reposicione as prateleiras, prateleiras das portas ou recipientes internos para permitir que a porta/gaveta feche.
O aparelho faz ruídos fora do normal.	O aparelho não está colocado sobre um piso nivelado.	Ajuste os pés para nivelar o aparelho.
	O aparelho toca em algum objeto em seu redor.	Remova objetos em redor do aparelho.
Deve ouvir-se um som leve semelhante ao de água a correr.	Isto é normal.	/
Irã ouvir um sinal sonoro de alarme.	A porta do frigorífico está aberta.	Fechete a porta ou silencie o alarme manualmente.
Irã ouvir um som abafado.	O sistema anti condensação está a funcionar.	Isto impede a condensação e é normal.
O sistema de iluminação interior ou de arrefecimento não funciona.	A ficha de alimentação não está ligada na tomada de alimentação	Conecte a ficha principal.
	A rede elétrica não está intacta.	Verifique a alimentação elétrica da divisão. Ligue para a companhia de eletricidade local!
	A lâmpada LED está avariada.	Por favor, ligue para a assistência para substituir a lâmpada.
Os lados do armário e a tira da porta ficam quentes.	Isto é normal.	/
Não está a sair água do bico dispensador de água	O trinco não está desativado.	Para desativar o trinco



Falha de energia

- ▶ Em caso de falha de energia, os alimentos permanecem arrefecidos de forma segura durante cerca de 13 horas. Siga estas dicas durante uma falha de energia prolongada, especialmente no verão.
- ▶ Abra a porta/gaveta o mínimo de vezes possível.
- ▶ Não coloque mais alimentos no aparelho durante uma falha de energia.
- ▶ Se for dada uma notificação prévia de interrupção da energia e a duração da interrupção for superior a 13 horas, faça alguns cubos de gelo e coloque-os num recipiente na prateleira superior do compartimento do frigorífico.
- ▶ É necessária uma inspeção dos alimentos imediatamente após a interrupção.
- ▶ Como a temperatura no frigorífico irá subir durante uma interrupção da energia ou outra falha, o período de armazenamento e a qualidade dos alimentos serão reduzidos. Qualquer alimento que descongele deve ser consumido, cozido e novamente congelado (se for caso disso) imediatamente, a fim de evitar riscos para a saúde.

NOTA

Função de memória durante a falha de energia

Depois de restabelecida a energia elétrica, o aparelho continua com as definições feitas antes da falha de energia.

Para contactar a assistência técnica, consulte o nosso website:

<https://corporate.haier-europe.com/en/>

Na seção "website", escolha a marca do seu produto e o seu país.

Será redirecionado para o website específico onde pode encontrar o número de telefone e outras formas de contactar a assistência técnica.

Desembalar



AVISO!

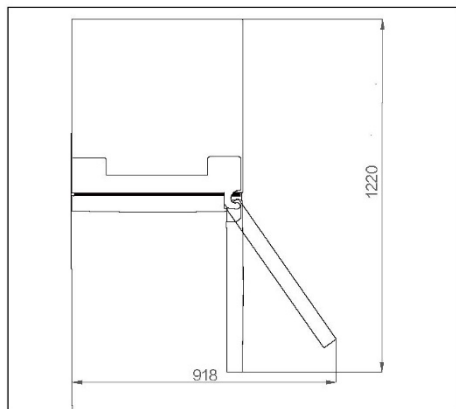
- ▶ O aparelho é pesado. Deve ser manuseado sempre por, pelo menos, duas pessoas.
- ▶ Mantenha todos os materiais de embalagem fora do alcance das crianças e elimine-os de forma ecológica.
- ▶ Retire o aparelho da embalagem.
- ▶ Remova todos os materiais de embalagem.

Condições ambientais

A temperatura ambiente deve estar sempre entre 10° C e 43° C, uma vez que pode influenciar a temperatura no interior do aparelho e o seu consumo de energia. Não instale o aparelho perto de outros aparelhos emissores de calor (fornos, frigoríficos) sem isolamento.

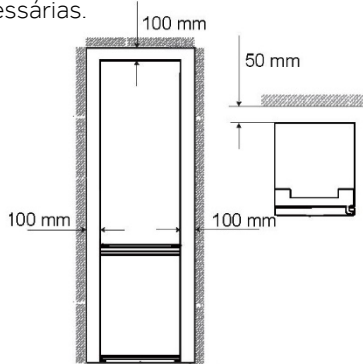
Requisitos de espaço

Espaço necessário quando a porta é aberta.



Ventilação transversal

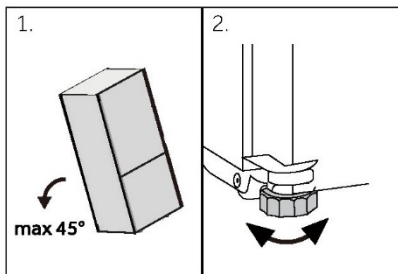
Para obter uma ventilação suficiente do aparelho por motivos de segurança, deve observar-se a informação das secções de ventilação transversal necessárias.

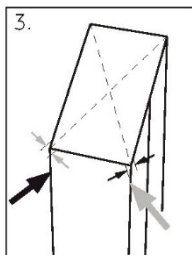


Alinhar o aparelho

O aparelho deve ser colocado sobre uma superfície plana e sólida.

1. Incline o frigorífico ligeiramente para trás.
2. Coloque os pés na altura desejada. Certifique-se de que a distância à parede do lado da dobradiça é de, pelo menos, 100 mm para que a porta se abra corretamente.

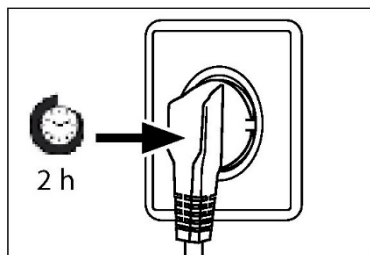




1. A estabilidade pode ser verificada empurrando alternadamente as diagonais. Uma ligeira oscilação deve ser a mesma em ambas as direções. Caso contrário, a estrutura pode empenar; a consequência pode ser fugas dos vedantes da porta. Uma leve inclinação para a traseira facilita o fecho das portas.

NOTA

Para um aparelho independente: este frigorífico não se destina a ser utilizado como eletrodoméstico de encastrar



Tempo de espera

O óleo de lubrificação sem manutenção está localizado na cápsula do compressor. Este óleo pode atravessar o sistema de tubagem fechada durante o transporte inclinado. Antes de ligar o aparelho à rede elétrica, tem de esperar pelo menos 2 horas para que o óleo volte à cápsula.

Ligação elétrica

Antes de cada conexão verificar se:

- ▶ a rede elétrica, tomada e fusíveis são adequados à placa de classificação.
- ▶ a tomada de alimentação está ligada à terra sem fichas múltiplas nem extensão.
- ▶ a ficha de alimentação e a tomada estão de acordo com as especificações.

Ligam a ficha a uma tomada doméstica instalada corretamente.



AVISO!

Para evitar riscos, um cabo de alimentação danificado deve ser substituído pela assistência ao cliente (ver cartão de garantia).



Reversibilidade da porta

Antes de ligar o aparelho à rede elétrica, deve verificar se a rotação da porta deve ser mudada da direita (como fornecida) para a esquerda, se tal for exigido pelo local de instalação e pela usabilidade.



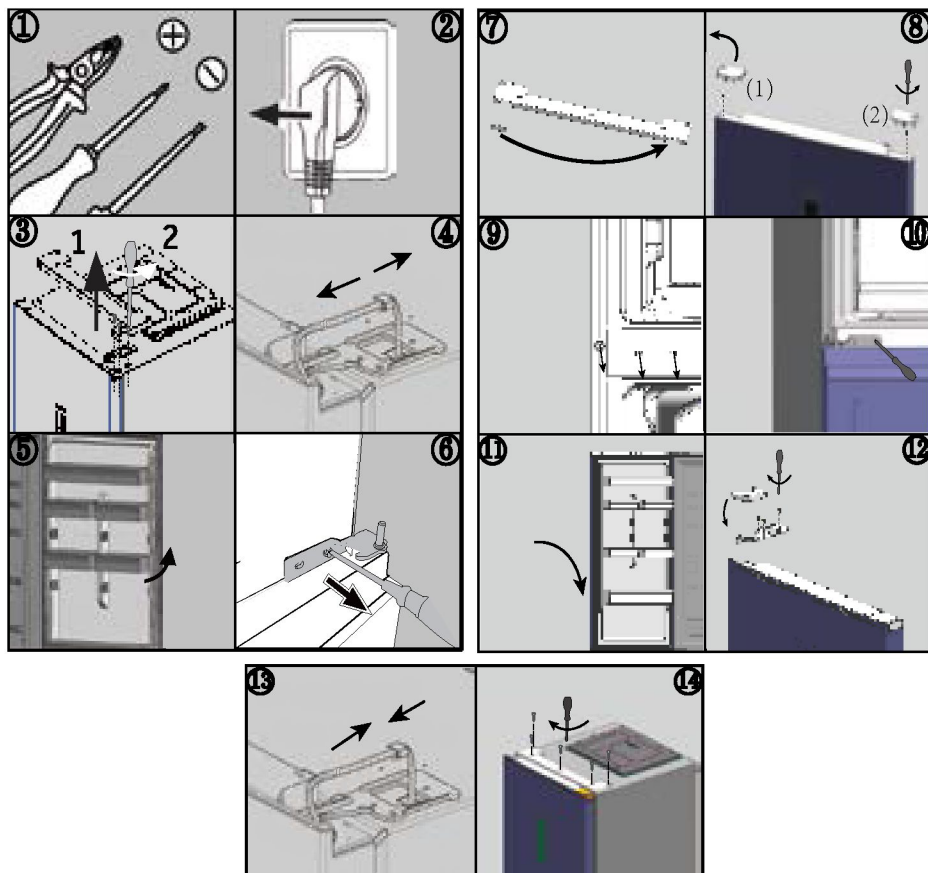
AVISO!

- ▶ O aparelho é pesado. Precisa de duas pessoas para reverter o sentido de abertura da porta.
- ▶ Antes de qualquer operação, desligue primeiro o aparelho da rede elétrica
- ▶ Não incline o aparelho mais de 45 ° para evitar danos ao sistema de refrigeração.

Passos de montagem

1. Arranje a ferramenta necessária.
2. Desligue o aparelho.
3. Remova a tampa da dobradiça superior 1 e desenrosque a dobradiça superior (três parafusos) no lado direito 2.
4. Desligue o cabo de conexão
5. Levante a porta do frigorífico cuidadosamente para fora da dobradiça intermédia.
6. Remova a dobradiça do meio.
7. Retire a pequena tampa do painel frontal do lado esquerdo para o lado direito.
8. Vire a porta de cabeça para baixo e desaperte a tampa (1). Retire a nova tampa (2) do saco necessário e aparafuse-a no lado oposto.
9. Altere as posições das buchas de espaçamento e o parafuso no lado.
10. Aparafuse a dobradiça média no lado esquerdo do aparelho. Tenha em atenção a inversão do pivot da dobradiça central, assegurando que o lado com a junta está virado para cima
11. Levante cuidadosamente a porta superior na dobradiça média. E certifique-se de que o pivô encaixa no cilindro da dobradiça da porta inferior.
12. Tire a nova dobradiça superior e a tampa da dobradiça do saco de acessórios. Coloque o cabo de conexão através da dobradiça superior e fixe a dobradiça superior com três parafusos no lado esquerdo do aparelho. E coloque a tampa da dobradiça sobre a dobradiça.
13. Conecte o cabo de conexão.
14. Substitua o painel frontal e fixe-o com cinco parafusos.

Após a mudança da porta, verifique se os vedantes da porta estão corretamente colocados na estrutura e todos os parafusos são bem apertados.



Temperaturas ambiente

Temperado alargado: este aparelho de refrigeração destina-se a ser utilizado a uma temperatura ambiente entre 10 °C e 32 °C

Temperado: este aparelho de refrigeração destina-se a ser utilizado a uma temperatura ambiente entre 16 °C e 32 °C;

Subtropical: este aparelho de refrigeração destina-se a ser utilizado a uma temperatura ambiente entre 16 °C e 38 °C;

Tropical: este aparelho de refrigeração destina-se a ser utilizado a uma temperatura ambiente entre 16 °C e 43 °C.

**Parâmetros do produto de acordo com o Regulamento (UE) 2019/2016**

Baseado nos resultados do teste padrão durante 24 horas. O consumo de energia real irá depender da forma como o aparelho é usado e onde está localizado

Modelo	HTW5618DN*	HTW5620DN*	HTW5618EN*
Tipo de aparelho de refrigeração	Frigorífico-congelador	Frigorífico-congelador	Frigorífico-congelador
Classe de eficiência energética	D	D	E
Consumo anual de energia (kWh/ano)	217	226	271
Volume do compartimento do frigorífico (L)	201	255	201
Volume do compartimento do congelador (L)	125	125	125
Volume Compartimento de refrigeração (L)	34	34	34
Classe de congelação	4 estrelas	4 estrelas	4 estrelas
Tipo de descongelação	Descongelação automática	Descongelação automática	Descongelação automática
Tempo de subida da temperatura (h)	13	13	11
Capacidade de congelação (kg/24h)	10.0	10.0	10.0
Classe climática	SN.N.ST.T	SN.N.ST.T	SN.N.ST.T
Classe de emissão de ruído e emissões de ruído aéreo (dB(A) re 1 pW)	B(35)	B(35)	B(35)



Modelo	HTW5618CN*	HTW5620CN*	HTW5620EN*
Tipo de aparelho de refrigeração	Frigorífico-congelador	Frigorífico-congelador	Frigorífico-congelador
Classe de eficiência energética	C	C	E
Consumo anual de energia (kWh/ano)	173	181	283
Volume do compartimento do frigorífico (L)	201	255	255
Volume do compartimento do congelador (L)	125	125	125
Volume Compartimento de refrigeração (L)	34	34	34
Classe de congelação	4 estrelas	4 estrelas	4 estrelas
Tipo de descongelação	Descongelação automática	Descongelação automática	Descongelação automática
Tempo de subida da temperatura (h)	13	13	11
Capacidade de congelação (kg/24h)	10.0	10.0	10.0
Classe climática	SN.N.ST.T	SN.N.ST.T	SN.N.ST.T
Classe de emissão de ruído e emissões de ruído aéreo (dB(A) re 1 pW)	B(35)	B(35)	B(35)



Modelo	HDPW5618DN*	HDPW5620DN* HDPW3620DN*	HTW7620CN*
Tipo de aparelho de refrigeração	Frigorífico-congelador	Frigorífico-congelador	Frigorífico-congelador
Classe de eficiência energética	D	D	C
Consumo anual de energia (kWh/ano)	214	220	181
Volume do compartimento do frigorífico (L)	201	255	255
Volume do compartimento do congelador (L)	117	117	125
Volume Compartimento de refrigeração (L)	34	34	34
Classe de congelação	4 estrelas	4 estrelas	4 estrelas
Tipo de descongelação	Descongelação automática	Descongelação automática	Descongelação automática
Tempo de subida da temperatura (h)	13	13	13
Capacidade de congelação (kg/24h)	10.0	10.0	10.0
Classe climática	SN.N.ST.T	SN.N.ST.T	SN.N.ST.T
Classe de emissão de ruído e emissões de ruído aéreo (dB(A) re 1 pW)	B(35)	B(35)	B(35)



Modelo	HDPW3618DN*	HDPW3620CN*	HTW3620DN*
Tipo de aparelho de refrigeração	Frigorífico-congelador	Frigorífico-congelador	Frigorífico-congelador
Classe de eficiência energética	D	C	D
Consumo anual de energia (kWh/ano)	214	176	226
Volume do compartimento do frigorífico (L)	201	255	255
Volume do compartimento do congelador (L)	117	117	125
Volume Compartimento de refrigeração (L)	34	34	34
Classe de congelação	4 estrelas	4 estrelas	4 estrelas
Tipo de descongelação	Descongelação automática	Descongelação automática	Descongelação automática
Tempo de subida da temperatura (h)	13	13	13
Capacidade de congelação (kg/24h)	10.0	10.0	10.0
Classe climática	SN.N.ST.T	SN.N.ST.T	SN.N.ST.T
Classe de emissão de ruído e emissões de ruído aéreo (dB(A) re 1 pW)	B(35)	B(35)	B(35)



Modelo	HDPW5618CN*	HDPW5620CN*	HDPW5620AN* HDPW7620AN*
Tipo de aparelho de refrigeração	Frigorífico-congelador	Frigorífico-congelador	Frigorífico-congelador
Classe de eficiência energética	C	C	A
Consumo anual de energia (kWh/ano)	171	176	114
Volume do compartimento do frigorífico (L)	201	255	255
Volume do compartimento do congelador (L)	117	117	120
Volume Compartimento de refrigeração (L)	34	34	34
Classe de congelação	4 estrelas	4 estrelas	4 estrelas
Tipo de descongelação	Descongelação automática	Descongelação automática	Descongelação automática
Tempo de subida da temperatura (h)	13	13	16
Capacidade de congelação (kg/24h)	10.0	10.0	10.0
Classe climática	SN.N.ST.T	SN.N.ST.T	SN.N.ST.T
Classe de emissão de ruído e emissões de ruído aéreo (dB(A) re 1 pW)	B(35)	B(35)	B(35)



Modelo	HDPW5620BN*	HTW7620DN*	HDPW7620AAN*
Tipo de aparelho de refrigeração	Frigorífico-congelador	Frigorífico-congelador	Frigorífico-congelador
Classe de eficiência energética	B	D	A
Consumo anual de energia (kWh/ano)	142	226	92
Volume do compartimento do frigorífico (L)	255	255	255
Volume do compartimento do congelador (L)	120	125	120
Volume Compartimento de refrigeração (L)	34	34	34
Classe de congelação	4 estrelas	4 estrelas	4 estrelas
Tipo de descongelação	Descongelação automática	Descongelação automática	Descongelação automática
Tempo de subida da temperatura (h)	13	13	16
Capacidade de congelação (kg/24h)	10.0	10.0	12.0
Classe climática	SN.N.ST.T	SN.N.ST.T	SN.N.ST.T
Classe de emissão de ruído e emissões de ruído aéreo (dB(A) re 1 pW)	B(35)	B(35)	B(35)



Modelo	HTW5618DW*		
Tipo de aparelho de refrigeração	Frigorífico-congelador		
Classe de eficiência energética	D		
Consumo anual de energia (kWh/ano)	216		
Volume do compartimento do frigorífico (L)	198		
Volume do compartimento do congelador (L)	125		
Volume Compartimento de refrigeração (L)	34		
Classe de congelação	4 estrelas		
Tipo de descongelação	Descongelação automática		
Tempo de subida da temperatura (h)	13		
Capacidade de congelação (kg/24h)	10.0		
Classe climática	SN.N.ST.T		
Classe de emissão de ruído e emissões de ruído aéreo (dB(A) re 1 pW)	B(35)		



Dados técnicos adicionais

Modelo	HTW5618DN*	HTW5618EN*	HTW5620DN*
Volume total (L)	360	360	414
Tensão/Frequência	220-240V/50Hz	220-240V/50Hz	220-240V/50Hz
Corrente de entrada (A)	1.4	1.4	1.4
Fusível principal (A)	16	16	16
Fluido refrigerante	R600a(53g)	R600a(53g)	R600a(53g)
Dimensões (L/P/A em mm)	595*667*1850	595*667*1850	595*667*2050

Modelo	HTW5618CN*	HTW5620CN*	HTW5620EN*
Volume total (L)	360	414	414
Tensão/Frequência	220-240V/50Hz	220-240V/50Hz	220-240V/50Hz
Corrente de entrada (A)	1.4	1.4	1.4
Fusível principal (A)	15	15	16
Fluido refrigerante	R600a(50g)	R600a(50g)	R600a(53g)
Dimensões (L/P/A em mm)	595*667*1850	595*667*2050	595*667*2050



Modelo	HDPW5618DN*	HDPW5620DN*	HDPW3620DN*
Volume total (L)	352	406	406
Tensão/Frequência	220-240V/50Hz	220-240V/50Hz	220-240V/50Hz
Corrente de entrada (A)	1.4	1.4	1.4
Fusível principal (A)	16	16	16
Fluido refrigerante	R600a(53g)	R600a(53g)	R600a(53g)
Dimensões (L/P/A em mm)	595*667*1850	595*667*2050	595*667*2050

Modelo	HDPW5618CN*	HDPW5620CN*	HDPW5620AN*
Volume total (L)	352	406	409
Tensão/Frequência	220-240V/50Hz	220-240V/50Hz	220-240V/50Hz
Corrente de entrada (A)	1.4	1.4	1.4
Fusível principal (A)	15	15	16
Fluido refrigerante	R600a(50g)	R600a(50g)	R600a(50g)
Dimensões (L/P/A em mm)	595*667*1850	595*667*2050	595*667*2050



Dados técnicos adicionais

Modelo	HDPW3618DN*	HDPW3620CN*	HTW3620DN*
Volume total (L)	352	406	414
Tensão/Frequência	220~240V/50Hz	220~240V/50Hz	220~240V/50Hz
Corrente de entrada (A)	1.4	1.4	1.4
Fusível principal (A)	16	15	16
Fluido refrigerante	R600a(53g)	R600a(50g)	R600a(53g)
Dimensões (L/P/A em mm)	595*667*1850	595*667*2050	595*667*2050

Modelo	HDPW7620AAN*	HDPW5620BN*	HDPW7620AN*
Volume total (L)	409	409	409
Tensão/Frequência	220~240V/50Hz	220~240V/50Hz	220~240V/50Hz
Corrente de entrada (A)	1.4	1.4	1.4
Fusível principal (A)	16	16	16
Fluido refrigerante	R600a(55g)	R600a(50g)	R600a(50g)
Dimensões (L/P/A em mm)	595*667*2050	595*667*2050	595*667*2050

**Dados técnicos adicionais**

Modelo	HTW7620DN*	HTW7620CN*	HTW5618DW*
Volume total (L)	414	414	357
Tensão/Frequência	220~240V/50Hz	220~240V/50Hz	220~240V/50Hz
Corrente de entrada (A)	1.4	1.4	1.4
Fusível principal (A)	16	15	16
Fluido refrigerante	R600a(53g)	R600a(50g)	R600a(53g)
Dimensões (L/P/A em mm)	595*667*2050	595*667*2050	595*667*1850



Recomendamos o nosso Serviço de Assistência ao Cliente da Haier e a utilização de peça sobressalentes originais.

Se tiver algum problema com o seu aparelho, consulte primeiro a secção RESOLUÇÃO DE PROBLEMAS.

Se não conseguir encontrar uma solução nesta secção, entre em contacto

- ▶ com o seu revendedor local ou
- ▶ o nosso Serviço de Assistência Europeu (veja números de telefone listados abaixo) ou
- ▶ a área de Serviço e Suporte em www.haier.com onde pode ativar a reclamação de serviço
- ▶ e também encontrar FAQs.

Para contactar a nossa Assistência, certifique-se de que tem os seguintes dados disponíveis.

As informações encontram-se na placa de classificação.

Modelo _____

N.º de série _____

Verifique também o cartão de garantia fornecido com o produto em caso de garantia.

Centro de Assistência Europeu		
País*	Número de telefone	Custos
Haier Italy (IT)	199 100 912	
Haier Spain (ES)	902 509 123	
Haier Germany (DE)	0180 5 39 39 99	<ul style="list-style-type: none"> • 14 CT/Min telefone fixo • Max 42 Ct/Min móvel
Haier Austria (AT)	0820 001 205	<ul style="list-style-type: none"> • 14,53 CT/Min telefone fixo • máx. 20 Ct/Min todos os outros
Haier United Kingdom (UK)	0333 003 8122	
Haier France (FR)	0980 406 409	



* Para outros países, consulte www.haier.com

Haier Europe Trading S.r.l

Branch UK

Westgate House, Westgate, Ealing

London, W5 1YY

*Duração da garantia do aparelho de refrigeração:

A garantia mínima é: 2 anos para os países da UE, 3 anos para a Turquia, 1 ano para o Reino Unido, 1 ano para a Rússia, 3 anos para a Suécia, 2 anos para a Sérvia, 5 anos para a Noruega, 1 ano para Marrocos, 6 meses para a Argélia, Tunísia nenhuma garantia legal necessária.

*O período de peças sobressalentes para a reparação do aparelho:

Termostatos, sensores de temperatura, placas de circuitos impressos e fontes de luz estão disponíveis durante um período mínimo de sete anos após a colocação da última unidade do modelo no mercado.

Puxadores da porta, dobradiças da porta, bandejas e cestos durante um período mínimo de sete anos e juntas da porta durante um período mínimo de 10 anos, depois de colocada a última unidade do modelo no mercado.

*Para mais informações sobre o produto, consulte <https://eprel.ec.europa.eu/> ou digitalize o código QR na etiqueta energética fornecida com o aparelho.

<u>5 Informații de siguranță</u>	Înainte de prima utilizare	6
	Instalare	6
	Utilizarea cotidiană	7
<u>10 Utilizarea preconizată</u>		
<u>11 Descrierea produsului</u>		
<u>22 Panou de control</u>		
<u>23 Utilizarea</u>	Reglarea temperaturii frigiderului	24
	Ajustarea temperaturii congelatorului	24
	Ajustarea temperaturii My Zone	24
	Functia Super Cool	25
	Functia Super Freeze	26
<u>31 Echipament</u>		
<u>35 Sfaturi de economisire a energiei</u>		
<u>36 Îngrijire și curățare</u>		
<u>39 Depanare</u>		
<u>43 Instalare</u>		
<u>47 Date tehnice</u>		
<u>58 Serviciul pentru clienți</u>		



Faceți clic pe conținut, pentru a vedea informațiile detaliate.

Vă mulțumim că ați achiziționat un produs Haier.

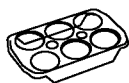
Citiți aceste instrucțiuni cu atenție înainte de a utiliza acest aparat. Instrucțiunile conțin informații importante care vă vor ajuta să folosiți aparatul la capacitate maximă și să asigurați instalarea, utilizarea și întreținerea sigure și corespunzătoare.

Păstrați manualul de față la îndemână astfel încât să îl puteți consulta pentru utilizarea sigură și corectă a aparatului.

Dacă vindeți, oferiți sau lăsați aparatul în vechea locuință când vă mutați, asigurați-vă că lăsați și manualul de utilizare, astfel încât noul proprietar să se poată familiariza cu aparatul și cu avertismentele de siguranță.

Accesorii

Verificați accesoriile și documentația în conformitate cu această listă:



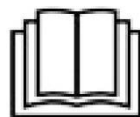
Tavă pentru ouă



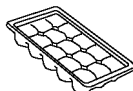
Eticheta de energie



Fișa de garanție



Manualul de utilizare



Tavă pentru cuburi de gheață



Balamale ușă



Capac balama



Insertie capac

**AVERTISMENT - Informații importante privind siguranța****OBSERVAȚIE - Informații și sfaturi generale****Informații legate de mediu****Eliminare**

Ajutați la protejarea mediului și sănătății omului. Puneți ambalajul în containerele corespunzătoare în vederea reciclării.

Ajutați la reciclarea deșeurilor de aparate electrice și electronice. Nu aruncați electronicele marcate cu acest simbol în același loc cu deșeurile menajere. Returnați produsul la centrul local de reciclare sau contactați agenția municipală.

**AVERTISMENT!**

Risc de vătămare sau sufocare!

Agenții frigorifici și gazele trebuie eliminate profesionist. Asigurați-vă că tubulatura circuitului de agent frigorific nu este deteriorată înainte de eliminarea corespunzătoare a acesteia. Deconectați aparatul de la rețeaua de curent. Tăiați cablul de alimentare de la rețeaua de curent și eliminați-l. Scoateți tăvile și sertarele, dar și opritorul și garniturile ușii, pentru a preveni închiderea copiilor și a animalelor în aparat.

Înainte de pornirea aparatului pentru prima dată, citiți următoarele sfaturi legate de siguranță!



AVERTISMENT!

Înainte de prima utilizare

- ▶ Asigurați-vă că nu există deteriorări provocate de transport.
- ▶ Eliminați toate ambalajele și păstrați-le la distanță de copii.
- ▶ Așteptați cel puțin două ore înainte de a instala aparatul pentru a lăsa timp circuitului frigorific să devină perfect eficient.
- ▶ Manevrați întotdeauna dispozitivul cu cel puțin încă două persoane, pentru că este greu.

Instalare

- ▶ Aparatul trebuie amplasat într-un loc bine ventilat. Asigurați un spațiu de cel puțin 10 cm deasupra aparatului și în jurul acestuia.
- ▶ Nu amplasați niciodată aparatul într-o zonă cu umezeală sau într-un loc în care acesta poate fi stropit cu apă. Curățați și uscați urmele de apă și petele cu o cârpă curată, moale.
- ▶ Nu instalați aparatul în lumina directă a soarelui sau în apropierea surselor de căldură (de ex., cuptoare, radiatoare).
- ▶ Instalați și poziționați dispozitivul într-o zonă potrivită dimensiunilor și destinației sale.
- ▶ Mențineți fantele de aerisire ale aparatului sau pe cele încorporate în structură fără obstrucții.
- ▶ Asigurați-vă că informațiile electrice de pe plăcuța cu date tehnice se potrivesc cu sursa de electricitate. Dacă nu se potrivesc, contactați un electrician.
- ▶ Dispozitivul este operat de o sursă de electricitate de 220-240 V c.a./50 Hz. Fluctuațiile anormale de tensiune pot face dispozitivul să nu pornească sau pot deteriora controlul temperaturii sau compresorul sau pot provoca un zgomot anormal în timpul utilizării. În acest caz, ar trebui să fie montat un regulator automat.
- ▶ Nu utilizați adaptoare cu ștecăre multiple și prelungitoare.
- ▶ Nu amplasați prizele portabile multiple sau alimentările portabile în spatele aparatului.
- ▶ Evitați prinderea cablului de alimentare în frigider. Nu călcați pe cablul de alimentare.



AVERTISMENT!

- ▶ Folosiți o priză separată cu împământare pentru alimentarea cu energie electrică, care să fie ușor accesibilă. Aparatul trebuie legat la împământare. Doar pentru Regatul Unit: Cablul de alimentare al dispozitivului este prevăzut cu ștecăr cu 3 pini (împământare) care se potrivește cu o priză standard cu 3 găuri (împământată). Nu demontați și nu tăiați niciodată cel de-al treilea pin (împământarea). După instalarea dispozitivului, ștecărul ar trebui să fie accesibil.
- ▶ Nu deteriorați circuitul frigorific.

Utilizarea cotidiană

- ▶ Acest aparat poate fi utilizat de către copiii cu vârste de minim 8 ani și de către persoanele cu abilități fizice, senzoriale sau mentale reduse sau cu lipsă de experiență sau cunoștințe, cu condiția să fie supravegheate sau instruite corespunzător privind modul de utilizare a acestui aparat în siguranță și să înțeleagă pericolele implicate.
- ▶ Copiii cu vârsta cuprinsă între 3 și 8 ani pot încărca și descărca aparate frigorifice, dar nu li se permite să curețe și să instaleze aparatele frigorifice.
- ▶ Țineți copiii mai mici de 3 ani la distanță de aparat, cu excepția cazului în care aceștia sunt supravegheați constant.
- ▶ Nu lăsați copiii să se joace cu aparatul.
- ▶ În cazul scurgerii gazului de răcire sau a altor gaze inflamabile în vecinătatea aparatului, închideți valva gazului care curge, deschideți ușile și ferestrele și nu deconectați niciun ștecăr al cablului de alimentare al frigiderului sau al oricărui alt aparat.
- ▶ Observați că aparatul este setat să funcționeze într-un interval de mediu specific, între 10 și 43 °C. Este posibil ca aparatul să nu funcționeze corect dacă este lăsat pentru o perioadă lungă de timp la o temperatură superioară sau inferioară intervalului indicat.
- ▶ Nu puneți articole instabile (obiecte grele, recipiente umplute cu apă) deasupra frigiderului, pentru a evita vătămarea cauzată de cădere sau de electrocutarea cauzată de contactul cu apa.
- ▶ Nu trageți de rafturile ușii. În caz contrar, ușa poate fi înclinată, raftul pentru sticle se poate desprinde sau aparatul se poate răsturna.
- ▶ Deschideți și închideți ușile numai cu ajutorul mânerelor. Spațiul liber dintre uși și dintre uși și dulap este foarte îngust. Nu întindeți mâinile în zonele respective, pentru a evita ciupirea degetelor. Deschideți sau închideți ușile frigiderului numai atunci când nu se află niciun copil în raza de deplasare a ușii.



AVERTISMENT!

- ▶ Nu depozitați materiale inflamabile, explozive sau corozive în aparat sau în vecinătatea acestuia.
- ▶ Nu depozitați medicamente, bacterii sau agenți chimici în dispozitiv. Acest dispozitiv este un aparat electrocasnic. Nu este recomandat pentru depozitarea materialelor care necesită temperaturi stricte.
- ▶ Nu depozitați niciodată în congelator lichide în sticle sau doze (cu excepția băuturilor cu conținut ridicat de alcool), în special băuturi carbogazoase, deoarece acestea se vor sparge în timpul înghețării.
- ▶ Verificați starea alimentelor în cazul în care a avut loc încălzirea congelatorului.
- ▶ Nu setați o temperatură nenecesar de joasă în compartimentul frigiderului. În cazul setărilor ridicate, pot apărea temperaturi sub punctul de îngheț. Atenție: Sticlele se pot sparge
- ▶ Nu atingeți produsele înghețate cu mâinile ude (purtați mănuși). În special, nu consumați înghețată pe băț imediat după scoaterea din compartimentul congelatorului. Există riscul de îngheț sau de producere a leziunilor provocate de îngheț. PRIMUL ajutor: puneți imediat sub jet de apă rece. Nu trageți!
- ▶ Nu atingeți suprafața interioară a compartimentului de depozitare al congelatorului atunci când este în funcțiune, în special cu mâinile ude, deoarece mâinile pot îngheța pe suprafață.
- ▶ Deconectați aparatul de la energia electrică în cazul unei pene de curent sau înainte de curățare. Așteptați cel puțin 7 minute înainte de repornirea aparatului, deoarece pornirea frecventă poate deteriora compresorul.
- ▶ Nu utilizați dispozitive electrice în interiorul compartimentelor de depozitare a alimentelor ale aparatului decât dacă acestea sunt de tipul recomandat de către producător. Întreținere/curățare
- ▶ Asigurați-vă că supravegheați copiii dacă aceștia se ocupă de curățare și întreținere.
- ▶ Deconectați aparatul de la rețeaua de alimentare înainte de efectuarea întreținerii de rutină. Așteptați cel puțin 5 minute înainte de repornirea aparatului, deoarece pornirea frecventă poate deteriora compresorul.



AVERTISMENT!

- ▶ Țineți de ștecăr, nu de cablu, atunci când deconectați aparatul.
- ▶ Nu curățați aparatul cu perii aspre, cu perii de sârmă, cu detergent pulbere, benzină, acetat de amil, acetonă sau soluții organice similare, soluții acide sau alcaline. Curățați cu detergent special pentru frigider pentru a evita deteriorările.
- ▶ Nu răzuți gheața cu obiecte ascuțite. Nu folosiți pulverizatoare, dispozitive electrice de încălzire precum radiatoare, uscătoare de păr, aparate de curățat cu abur sau alte surse de căldură, pentru a evita deteriorarea pieselor din plastic.
- ▶ Nu utilizați dispozitive mecanice sau alte mijloace de a accelera procesul de decongelare, în afara celor recomandate de producător.
- ▶ În cazul în care cablul de alimentare este deteriorat, acesta trebuie înlocuit de către producător, agentul său de service sau persoane calificate similare, pentru a evita orice pericol.
- ▶ Nu încercați să reparați, să dezamblați sau să modificați dispozitivul pe cont propriu. În cazul în care este necesară o reparație, contactați serviciul de relații cu clienții.
- ▶ Eliminați praful din spatele unității cel puțin o dată pe an, pentru a evita riscul de incendiu, dar și consumul mărit de energie.
- ▶ Nu pulverizați și nu spălați aparatul în timpul curățării.
- ▶ Nu folosiți pulverizarea cu apă sau aburi de apă în timpul curățării aparatului.
- ▶ Nu curățați rafturile reci din sticlă cu apă fierbinte. Schimbarea bruscă de temperatură poate face ca sticla să se spargă.

Informații privind gazul refrigerant



AVERTISMENT!

Aparatul conține agentul frigorific inflamabil IZOBUTAN (R600a). Asigurați-vă că circuitul frigorific nu este deteriorat în timpul transportării sau instalării. Scurgerile de agent frigorific pot cauza vătămări ale ochilor sau se pot aprinde. Dacă s-a produs o deteriorare a aparatului, țineți la distanță de sursele de flăcări deschise, ventilați bine camera, nu conectați și nu deconectați cablurile de alimentare ale aparatului sau ale oricărui alt aparat. Informați serviciul de asistență pentru clienți.

În cazul în care agentul frigorific intră în contact cu ochii, spălați imediat în jet de apă și contactați imediat un specialist oftalmolog.



Utilizarea preconizată

Acest aparat este proiectat pentru răcirea și congelarea alimentelor. Acesta a fost conceput exclusiv pentru utilizarea în aplicații casnice și similare, precum în zona de bucătărie pentru personalul din magazine, în birouri și în alte medii de lucru; ferme și clienți din hoteluri, moteluri și alte tipuri de medii rezidențiale, precum și în pensiunile de tip bed-and-breakfast și catering. Nu este destinat utilizării comerciale sau industriale.

Nu este permisă aducerea schimbărilor sau modificărilor dispozitivului. Utilizarea necorespunzătoare poate duce la apariția pericolelor și la pierderea garanției.

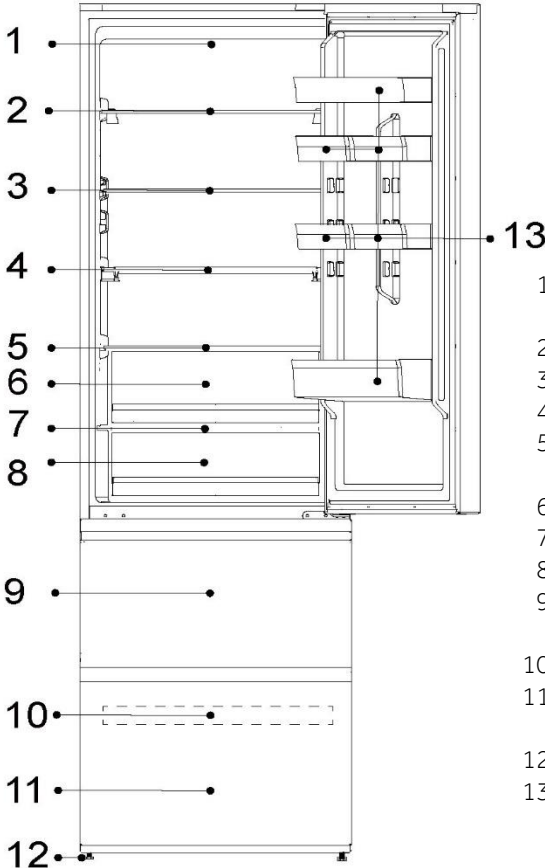
Standarde și directive **CE**

Acest produs respectă cerințele tuturor directivelor CE aplicabile, cu standardele corespondente armonizate, care asigură marcajul CE.

i AVERTISMENT

Ca urmare a modificărilor tehnice și a diferitelor modele, unele ilustrații din acest manual pot diferi de modelul dvs.

(HTW5620DN*, HTW5620CN*, HTW5620EN*)

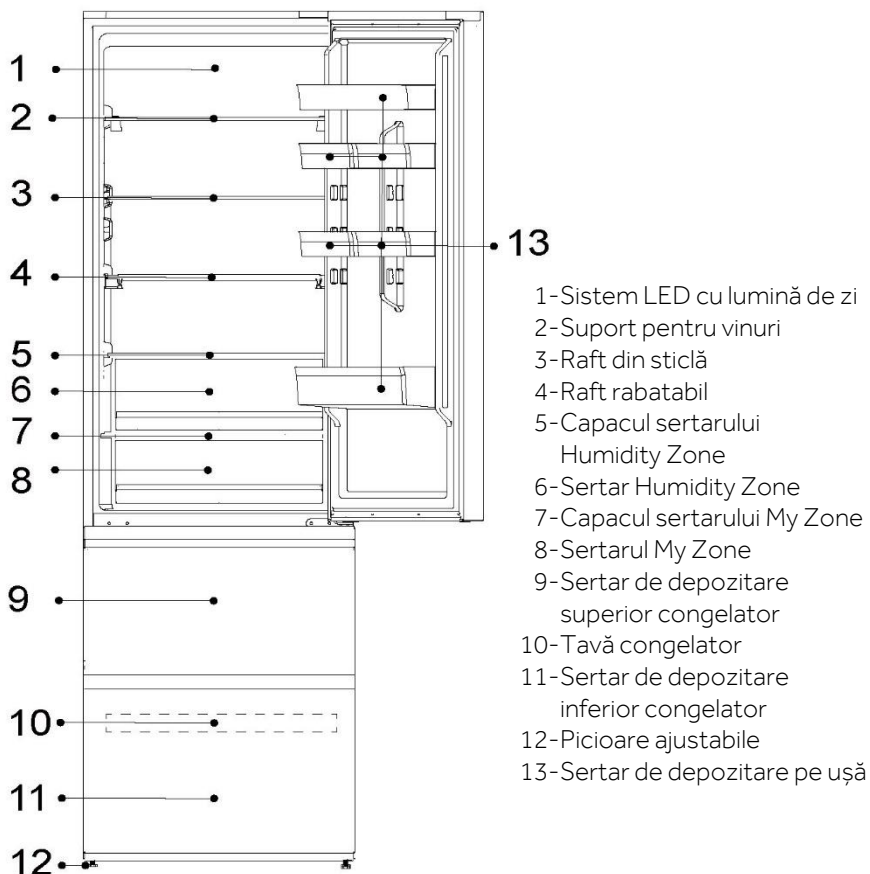


- 1-Lampă cu LED-uri pentru frigider
- 2-Suport pentru vinuri
- 3-Raft din sticlă
- 4-Raft rabatabil
- 5-Capacul sertarului Humidity Zone
- 6-Sertar Humidity Zone
- 7-Capacul sertarului My Zone
- 8-Sertarul My Zone
- 9-Sertar de depozitare superior congelator
- 10-Tavă congelator
- 11-Sertar de depozitare inferior congelator
- 12-Picioare ajustabile
- 13-Sertar de depozitare pe ușă

i OBSERVAȚIE

Ca urmare a modificărilor tehnice și a diferitelor modele, unele ilustrații din acest manual pot diferi de modelul dvs.

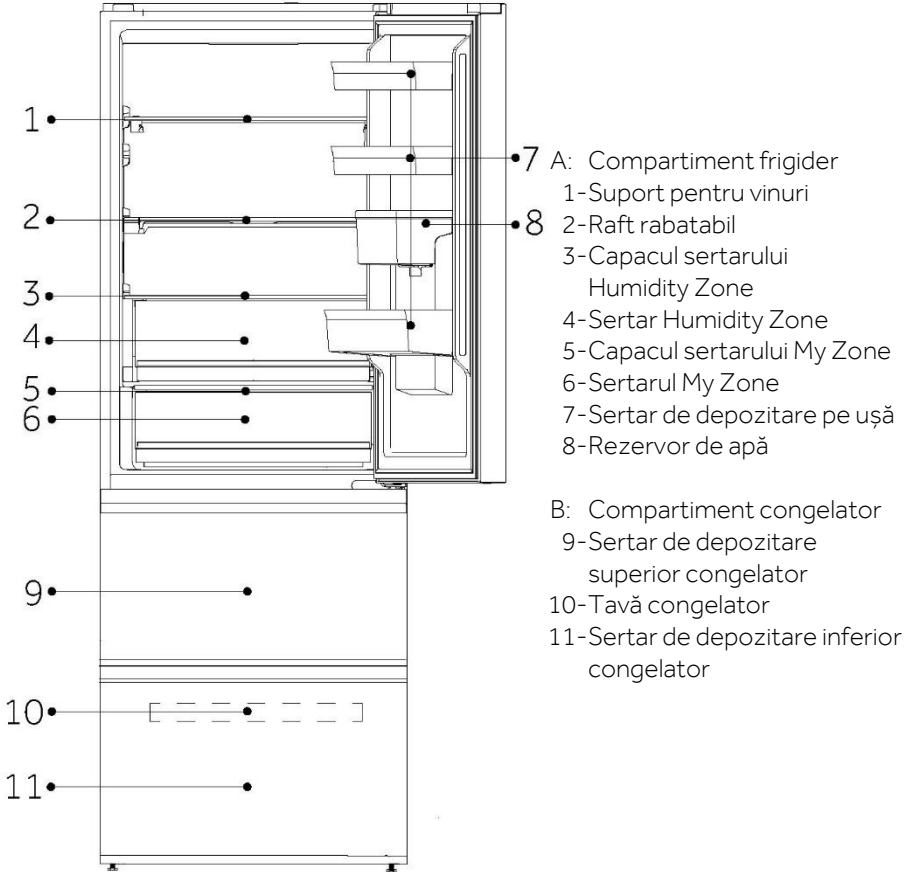
(HTW7620AN*, HTW7620CN*, HTW7620DN*)



i OBSERVAȚIE

Ca urmare a modificărilor tehnice și a diferitelor modele, unele ilustrații din acest manual pot diferi de modelul dvs.

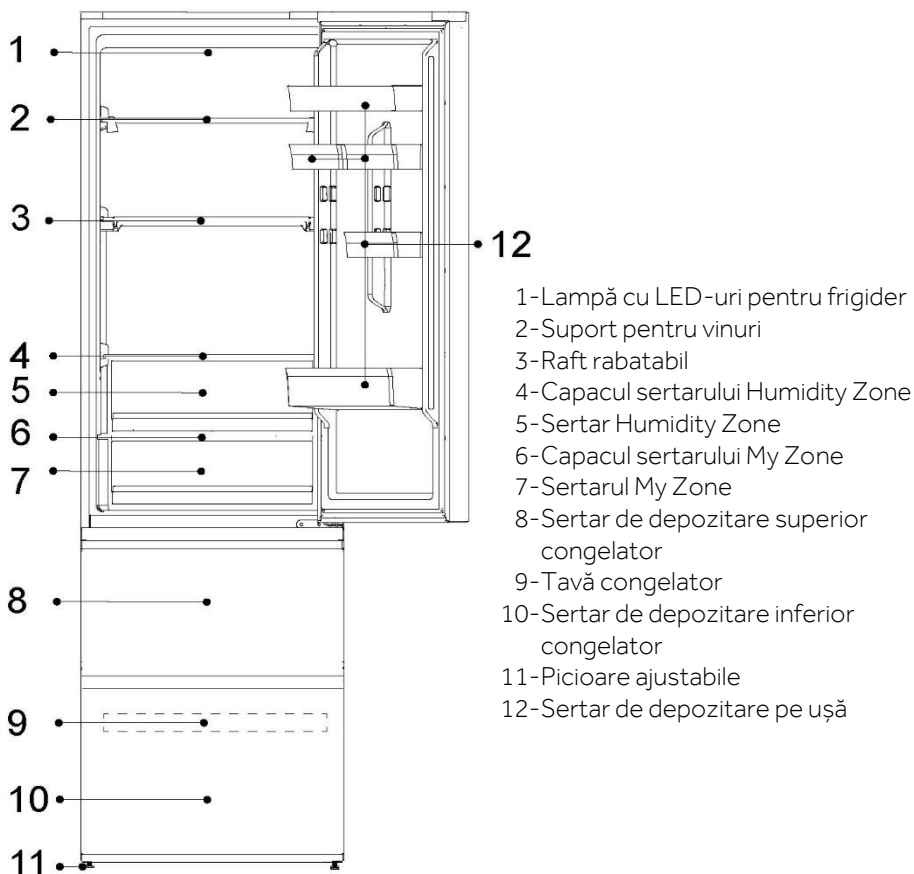
(HTW5618DW*)



i OBSERVAȚIE

Ca urmare a modificărilor tehnice și a diferitelor modele, unele ilustrații din acest manual pot diferi de modelul dvs.

(HTW5618DN*, HTW5618CN*, HTW5618EN*)

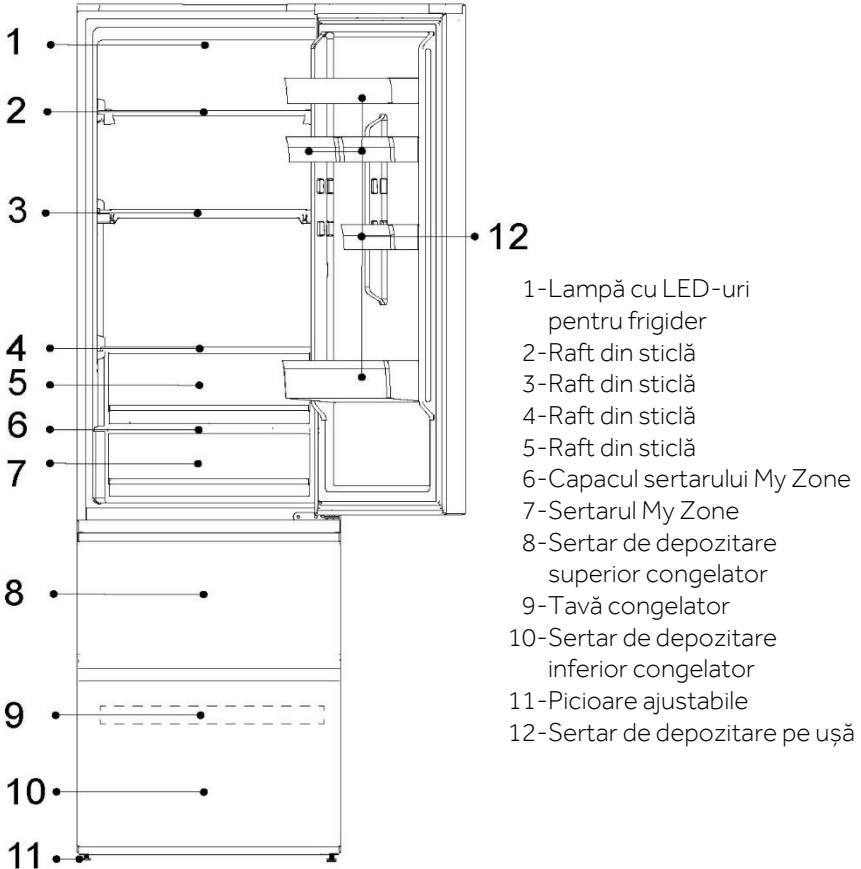


- 1-Lampă cu LED-uri pentru frigider
- 2-Suport pentru vinuri
- 3-Raft rabatabil
- 4-Capacul sertarului Humidity Zone
- 5-Sertar Humidity Zone
- 6-Capacul sertarului My Zone
- 7-Sertarul My Zone
- 8-Sertar de depozitare superior congelator
- 9-Tavă congelator
- 10-Sertar de depozitare inferior congelator
- 11-Picioare ajustabile
- 12-Sertar de depozitare pe ușă

i OBSERVAȚIE

Ca urmare a modificărilor tehnice și a diferitelor modele, unele ilustrații din acest manual pot diferi de modelul dvs.

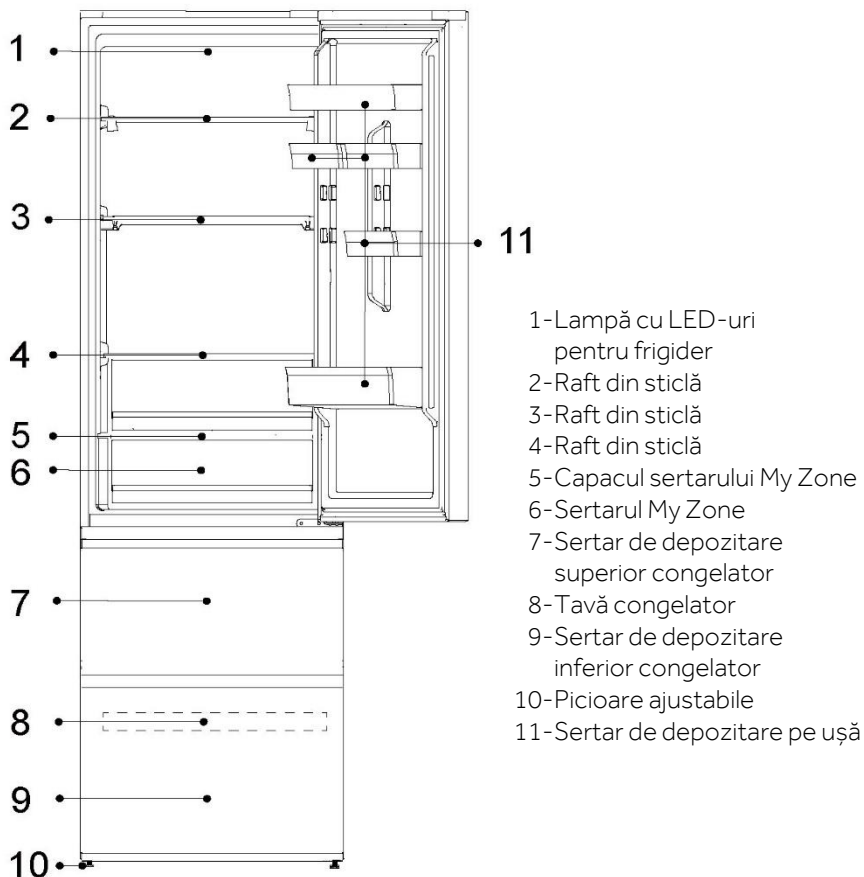
(HTW3620DN*)



i OBSERVAȚIE

Ca urmare a modificărilor tehnice și a diferitelor modele, unele ilustrații din acest manual pot diferi de modelul dvs.

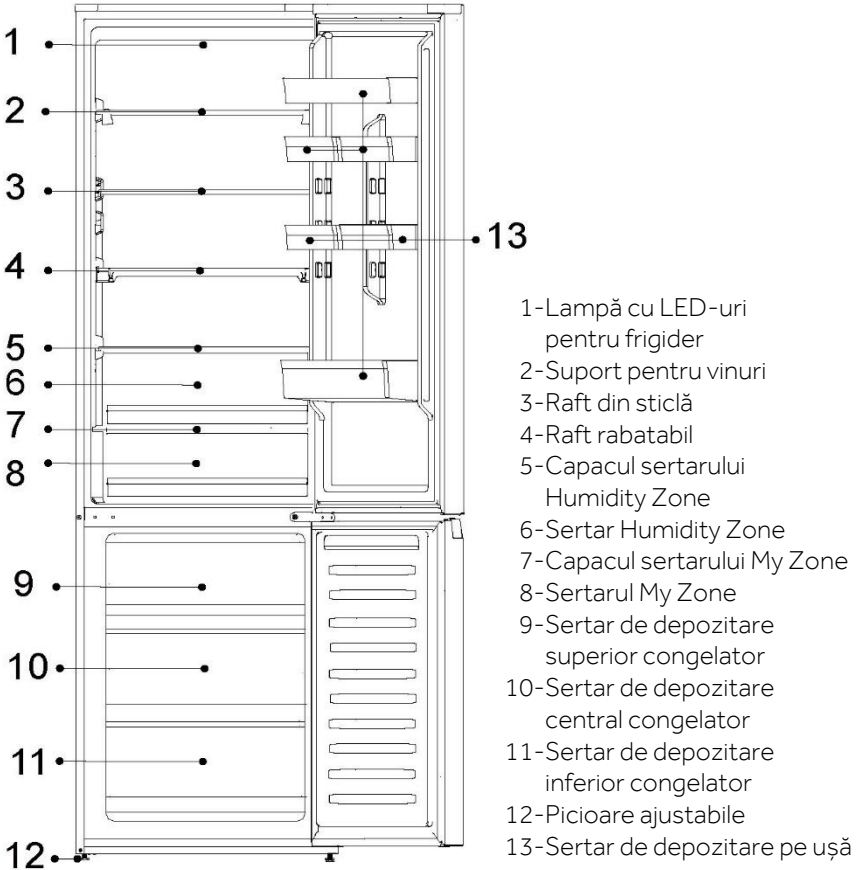
(HTW3618DN*, HTW3618CN*, HTW3618EN*)



i OBSERVAȚIE

Ca urmare a modificărilor tehnice și a diferitelor modele, unele ilustrații din acest manual pot diferi de modelul dvs.

(HDPW5620DN*, HDPW5620CN*, HDPW5620AN*, HDPW5620BN*)

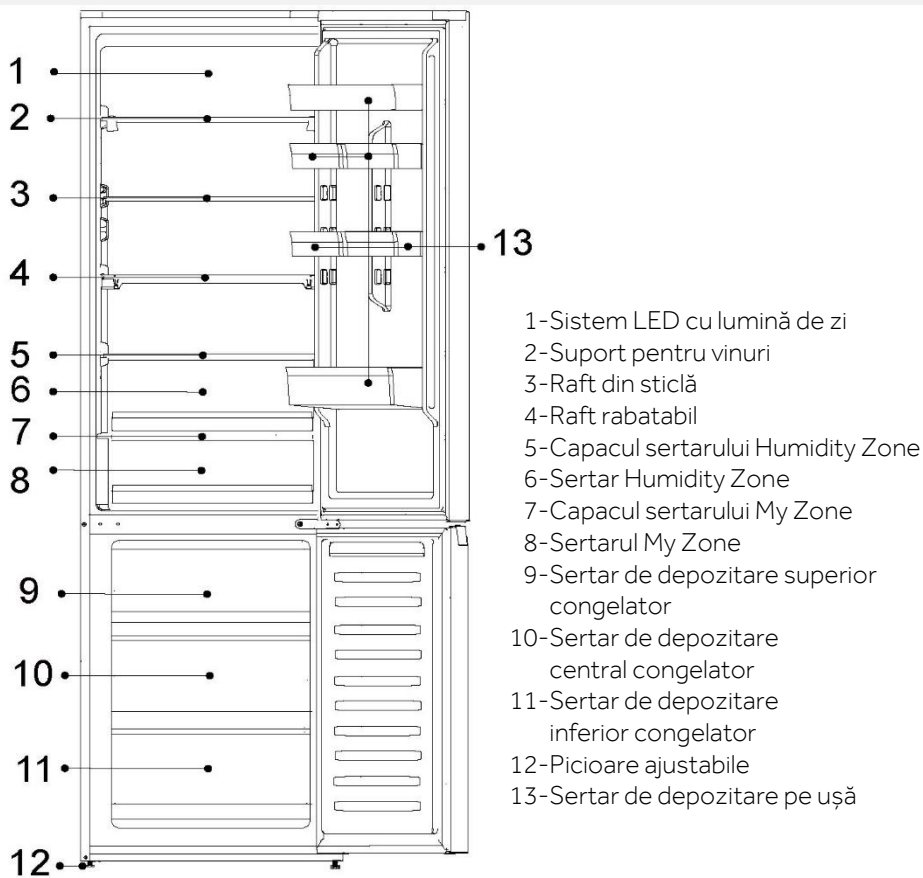


- 1-Lampă cu LED-uri pentru frigider
- 2-Suport pentru vinuri
- 3-Raft din sticlă
- 4-Raft rabatabil
- 5-Capacul sertarului Humidity Zone
- 6-Sertar Humidity Zone
- 7-Capacul sertarului My Zone
- 8-Sertarul My Zone
- 9-Sertar de depozitare superior congelator
- 10-Sertar de depozitare central congelator
- 11-Sertar de depozitare inferior congelator
- 12-Picioare ajustabile
- 13-Sertar de depozitare pe ușă

i OBSERVAȚIE

Ca urmare a modificărilor tehnice și a diferitelor modele, unele ilustrații din acest manual pot diferi de modelul dvs.

(HDPW7620AN*, HDPW7620AAN*)

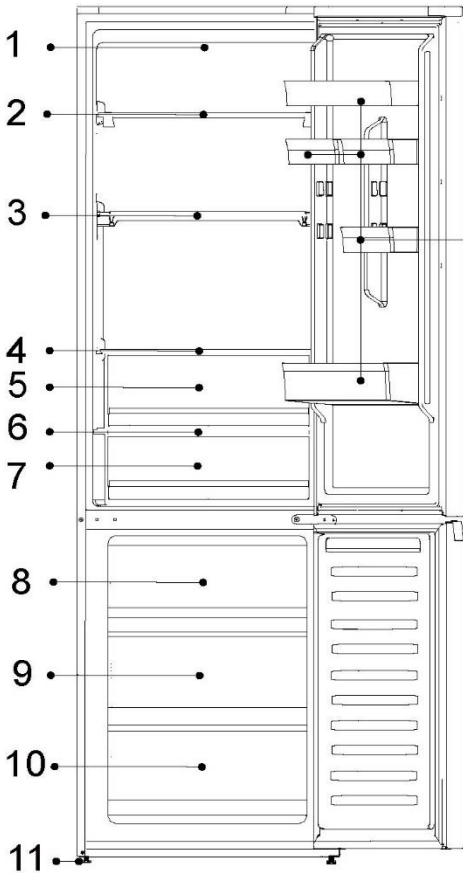


- 1-Sistem LED cu lumină de zi
- 2-Suport pentru vinuri
- 3-Raft din sticlă
- 4-Raft rabatabil
- 5-Capacul sertarului Humidity Zone
- 6-Sertar Humidity Zone
- 7-Capacul sertarului My Zone
- 8-Sertarul My Zone
- 9-Sertar de depozitare superior congelator
- 10-Sertar de depozitare central congelator
- 11-Sertar de depozitare inferior congelator
- 12-Picioare ajustabile
- 13-Sertar de depozitare pe ușă

i OBSERVAȚIE

Ca urmare a modificărilor tehnice și a diferitelor modele, unele ilustrații din acest manual pot diferi de modelul dvs.

(HDPW5618DN*, HDPW5618CN*)

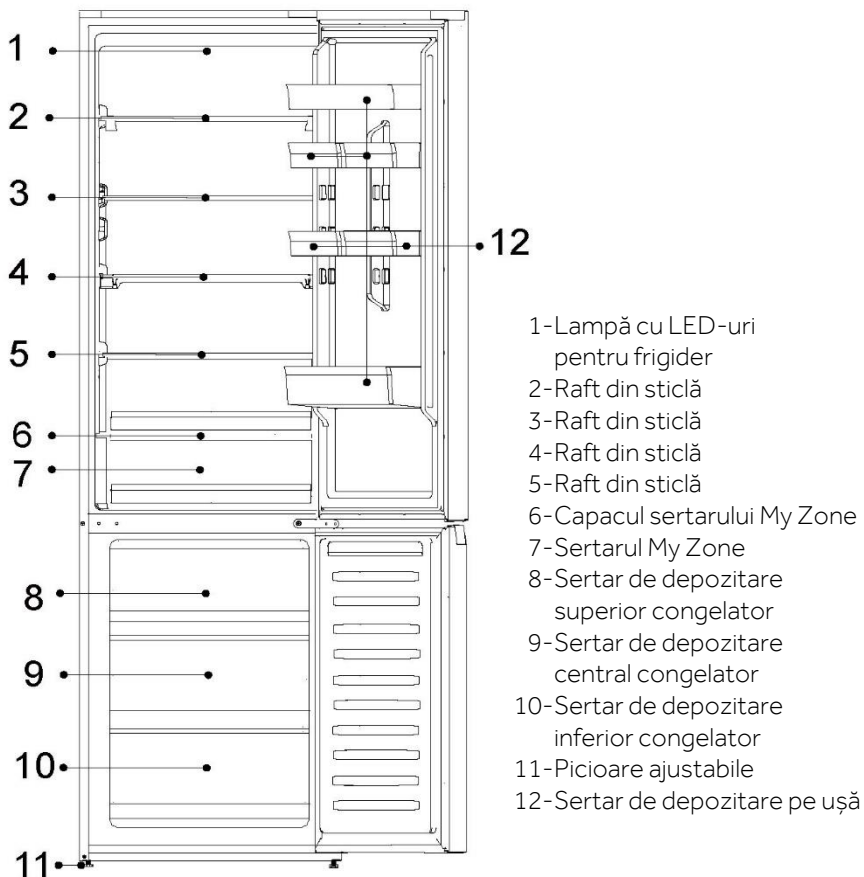


- 1-Lampă cu LED-uri pentru frigider
- 2-Suport pentru vinuri
- 3-Raft rabatabil
- 4-Capacul sertarului Humidity Zone
- 5-Sertar Humidity Zone
- 6-Capacul sertarului My Zone
- 7-Sertarul My Zone
- 8-Sertar de depozitare superior congelator
- 9-Sertar de depozitare central congelator
- 10-Sertar de depozitare inferior congelator
- 11-Picioare ajustabile
- 12-Sertar de depozitare pe ușă

i OBSERVAȚIE

Ca urmare a modificărilor tehnice și a diferitelor modele, unele ilustrații din acest manual pot diferi de modelul dvs.

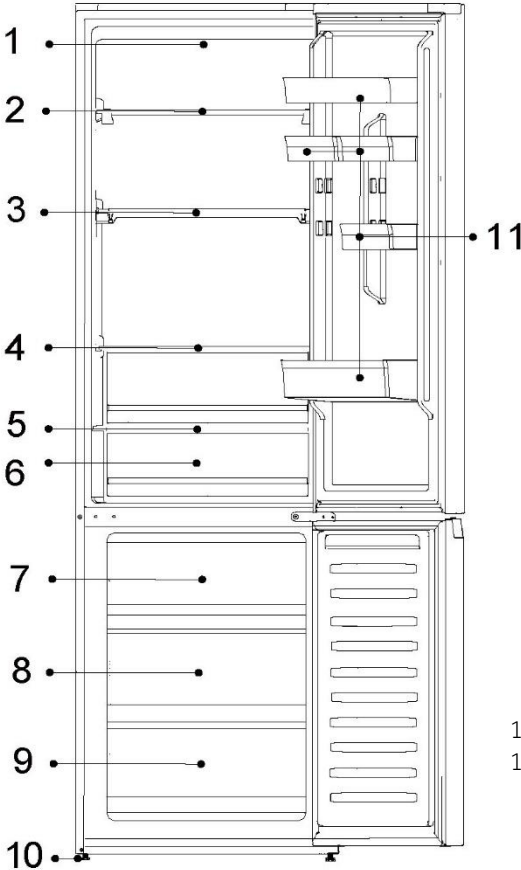
(HDPW3620DN*, HDPW3620CN*)



i **OBSERVAȚIE**

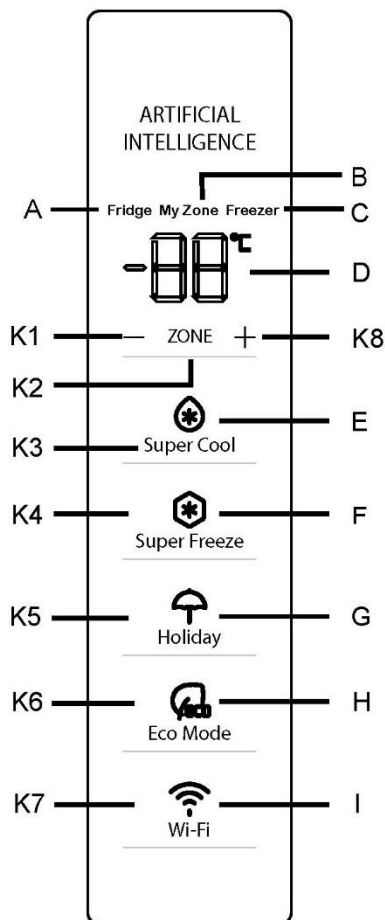
Ca urmare a modificărilor tehnice și a diferitelor modele, unele ilustrații din acest manual pot diferi de modelul dvs.

(HDPW3618DN*)



- 1-Lampă cu LED-uri pentru frigider
- 2-Raft din sticlă
- 3-Raft din sticlă
- 4-Raft din sticlă
- 5-Capacul sertarului My Zone
- 6-Sertarul My Zone
- 7-Sertar de depozitare superior congelator
- 8-Sertar de depozitare central congelator
- 9-Sertar de depozitare inferior congelator
- 10-Picioare ajustabile
- 11-Sertar de depozitare pe ușă

Panou de control



Indicatori:

- A Compartiment frigider
- B Compartiment răcitor (My Zone)
- C Compartiment congelator
- D Afișaj temperatură
- E Funcția Super Cool
- F Funcția Super Freeze
- G Funcția Holiday
- H Funcția Eco Mode I Funcția Wi-Fi

Butoane:

- K1 Scădere temperatură
- K2 Selectare Fridge, My Zone și Freezer
- K3 Pornire/oprire funcție Super Cool
- K4 Pornire/oprire funcție Super Freeze
- K5 Pornire/oprire funcție Holiday
- K6 Pornire/oprire funcție Eco Mode
- K7 Pornire/oprire funcție Wi-Fi
- K8 Creștere temperatură

Înainte de prima utilizare

Scoateți toate materialele de ambalare, nu le lăsați la îndemâna copiilor și eliminați-le într-un mod ecologic.

Curățați interiorul și exteriorul aparatului, precum și interiorul și accesoriile cu apă și un detergent moale și uscați-l bine cu o cârpă moale.

După echilibrarea și curățarea aparatului, așteptați cel puțin 2 ore înainte de a-l conecta la rețeaua de alimentare. Consultați secțiunea INSTALARE.

Răciți în prealabil compartimentele cu setări ridicate înainte de ale umple cu alimente. Funcția Super Freeze ajută la răcirea rapidă a compartimentului congelatorului.

Taste cu senzor

Butoanele de pe panoul de comenzi sunt taste cu senzori, care răspund imediat ce sunt apăsată ușor cu degetul.

Pornire/oprire aparat

Aparatul intră în funcțiune imediat ce este conectat la rețeaua de alimentare.

Când aparatul este pornit pentru prima dată, indicatorii de temperatură „D” indică valorile presetate (consultați observația de mai jos).

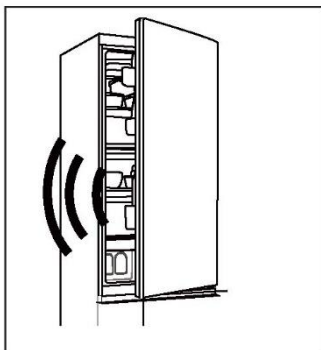
OBSERVAȚIE

Aparatul este presetat la temperatura recomandată de 5 °C (frigider) și -18°C (congelator). Temperatura My Zone este presetată la aproximativ 2 °C. Acestea sunt setările recomandate. Dacă doriți, puteți modifica manual aceste temperaturi.

Alarmă deschidere ușă

Atunci când este deschisă ușa frigiderului timp de peste 3 minute, se va declanșa alarma sonoră pentru deschiderea ușii.

Alarma poate fi oprită prin închiderea ușii. Dacă ușa este deschisă timp de peste 7 minute, lumina din interiorul frigiderului și iluminarea panoului de comenzi se sting automat.



Reglarea temperaturii

Temperaturile din interior sunt influențate de următorii factori:

- ▶ Temperatura ambientală
- ▶ Frecvența de deschidere a ușii
- ▶ Cantitatea de alimente depozitate
- ▶ Instalarea aparatului



Reglarea temperaturii frigiderului

1. Apăsați butonul „K2” (Selectare Fridge / (My Zone) / Freezer) pentru a selecta compartimentul frigider. Pictogramele „A” (compartimentul frigider) și „D” (afișajul temperaturii) se aprind.

2. Apăsați butonul „K1/K8” pentru a seta temperatura frigiderului.

Temperatura crește în trepte de 1 °C, de la un minim de 2 °C la maxim de 8 °C. Temperatura optimă în congelator este de 5°C. Temperaturile mai scăzute înseamnă consum inutil de energie.

3. După aproximativ 5 secunde, pictograma de temperatură „D” (afișajul temperaturii) va rămâne aprinsă și setarea este confirmată.

Ajustarea temperaturii congelatorului

1. Apăsați butonul „K2” (Selectare Fridge / (My Zone) / Freezer) pentru a selecta temperatura din compartimentul congelatorului; pictograma „C” (compartiment congelator) și „D” (afișajul temperaturii) se aprind.

2. Apăsați butonul "K1/K8" pentru a seta temperatura congelatorului.

Temperatura crește în trepte de 1 °C, de la un minim de -24 °C la maxim de -16 °C. Temperatura optimă a congelatorului este de -18. Temperaturile mai scăzute înseamnă un consum inutil de energie.

3. După aproximativ 5 secunde, indicatorul de temperatură „D” (afișajul temperaturii) va rămâne aprins și setarea este confirmată.

Ajustarea temperaturii My Zone

Compartimentul frigiderului este prevăzut cu un sertar My Zone. În conformitate cu cerințele de depozitare a alimentelor, poate fi selectată temperatura cea mai potrivită pentru a obține valoarea nutritivă optimă a alimentelor.

1. Apăsați butonul „K2” (Selectare Fridge / (My Zone) / Freezer) pentru a selecta compartimentul My Zone. Pictograma „B” (compartimentul My Zone) și „D” (Afișajul temperaturii) se aprind.

2. Apăsați butonul "K1/K8" pentru a seta temperatura compartimentului My Zone.

Temperatura crește în trepte de 1 °C, de la un minim de 0 °C la maxim de 5 °C.

3. După aproximativ 5 secunde, pictograma de temperatură „D” (afișajul temperaturii) va rămâne aprinsă și setarea este confirmată.



i AVERTISMENT

1. Puteți seta temperatura compartimentului My Zone la nivelul mediu (2 °C), pentru a vă păstra alimentele în mediul optim de depozitare.
2. Ca urmare a conținutului diferit de apă din carne, unele cărnuri cu umezeală mai ridicată vor fi înghețate la temperaturi mai mici de 0 °C. Prin urmare, carnea „proaspăt tăiată” trebuie depozitată în sertarul My Zone, la temperatura minimă de 0 °C.
3. Fructele sensibile la temperaturile scăzute, precum ananasul, avocado, bananele, grepfruturile și legumele precum cartofii, vinetele, fasolea, castraveții, dovleceii și roșiile, dar și brânza, nu trebuie depozitate în sertarul My Zone.
4. Dacă temperatura frigiderului este mai mică decât temperatura My Zone, este normal ca temperatura My Zone să fie mai mică decât temperatura sa setată.
5. Dacă temperatura camerei este sub 8°C, temperatura sertarului My Zone va fi întotdeauna aproape de 0°C.

i OBSERVAȚIE

După setarea temperaturii, dacă alte butoane sunt apășate în decurs de 5 secunde, setarea curentă a temperaturii va fi confirmată imediat. Dacă nu se efectuează nicio operațiune asupra butoanelor în decurs de 5 secunde, temperatura setată curent este afișată până când ecranul se stinge.

i OBSERVAȚIE

Aplicația permite personalizarea temperaturii pentru frigider, congelator și My Zone. Temperatura poate fi setată cu sensibilitate de 1 °C.

Funcția Super Cool

1. Este recomandat să activați funcția Super Cool dacă trebuie depozitată o cantitate mare de alimente (de exemplu, după cumpărare). Funcția Super Cool accelerează răcirea alimentelor proaspete și protejează alimentele deja depozitate împotriva încălzirii nedorite.
2. Apăsați butonul „K3” sau porniți-o din aplicație, pictograma „E” (funcția Super Cool) se aprinde și funcția este activată.



i OBSERVAȚIE

1. Aparatul iese din „funcția Super Cool” după ce ați accesat „funcția Super Cool” timp de 6 ore sau apăsați butonul „K3” când pictograma „E” (funcția Super Cool) este aprinsă sau dezactivați-o din aplicație.
2. În starea Super Cool, dacă temperatura compartimentului frigider este setată, pictograma „E” (funcția Super Cool) luminează intermitent pentru a indica că această operațiune nu poate fi efectuată.

Funcția Super Freeze

1. Alimentele proaspete trebuie congelate complet cât mai rapid posibil. Acest lucru poate păstra cele mai bune valori nutriționale, aspectul și gustul. Funcția Super Freeze accelerează congelarea alimentelor proaspete și protejează alimentele deja depozitate împotriva încălzirii nedorite. Dacă trebuie să congelați o cantitate mare de alimente pe loc, este recomandat să activați funcția Super Freeze cu 24 de ore înainte de utilizarea spațiului de congelare.
2. Apăsați butonul „K4” (setarea funcției Super Freeze) sau porniți-o din aplicație, pictograma „F” (funcția Super Freeze) se aprinde și funcția este activată.

i OBSERVAȚIE

1. Aparatul iese din „funcția Super Freeze” după ce a intrat în „funcția Super Freeze” timp de 50 de ore sau după apăsarea butonului „K4”, atunci când pictograma „F” (funcția Super Freeze) este aprinsă sau opriți-o din aplicație.
2. În starea Super Freeze, dacă temperatura compartimentului congelatorului este setată, pictograma „F” (funcția Super Freeze) luminează intermitent pentru a indica faptul că această operațiune nu poate fi efectuată.

Funcția Holiday

Funcția Holiday poate fi utilizată pentru a reduce consumul de energie al aparatului, atunci când acesta nu este utilizat în mod regulat. Când funcția este activată, frigiderul este oprit, în timp ce congelatorul va continua să funcționeze normal. Această funcție setează temperatura frigiderului permanent la 17 °C.

Acest lucru permite menținerea închisă a ușii frigiderului gol, fără să se formeze mirosuri neplăcute sau mucegai, în timpul unei absențe de durată (de ex. în timpul concediului). Compartimentul congelatorului este liber pentru setarea de către dvs.

1. Apăsați butonul „K5” (Pornire/oprire funcție Holiday) sau selectați funcția din aplicație, pictograma „G” (funcția Holiday) se aprinde și funcția este activată.

2. Funcția poate fi dezactivată apăsând din nou butonul „K5” (Pornire/oprire funcție Holiday), prin setarea temperaturii frigiderului sau prin efectuarea oricărei alte setări ori oprirea acestei funcții din aplicație.

OBSERVAȚIE

1. Atunci când funcția Holiday este activă, nu trebuie să păstrați alimente în compartimentul frigider. Temperatura de 17 °C este prea ridicată pentru depozitarea alimentelor.
2. Când funcția Holiday este activată, pictograma My Zone rămâne oprită, iar funcția frigiderului este blocată. Dacă se reglează temperatura compartimentului frigider, pictograma „G” (funcția Holiday) luminează intermitent pentru a indica faptul că această operațiune nu poate fi efectuată.

Funcția Eco Mode

Modul Eco Mode poate fi activat pentru a optimiza performanța aparatului, în timp ce oferă cel mai bun loc de depozitare a alimentelor. Dacă nu aveți cerințe speciale, vă recomandăm să utilizați funcția Eco Mode.

În acest mod temperatura frigiderului este de 5 °C, temperatura congelatorului este de -18 °C.

1. Apăsați butonul „K6” (Pornire/oprire funcție Eco Mode) sau selectați funcția din aplicație.
2. Pictograma „H” (funcția Eco Mode) este aprinsă și funcția este activată.

Dacă repetați pașii de mai sus, selectați o altă funcție sau o opriți din aplicație, această funcție se va dezactiva. Nivelurile de răcire setate anterior sunt restabilite.

OBSERVAȚIE

În timpul funcției Eco Mode, dacă temperatura compartimentului frigider/congelator este ajustată, pictograma „H” (funcția Eco Mode) luminează intermitent pentru a indica faptul că această operațiune nu poate fi efectuată.

Pasul 1 Descărcați aplicația hOn din magazinele digitale.

	
<p>Pasul 2 Creați-vă contul în aplicația hOn sau conectați-vă dacă aveți deja un cont.</p> 	<p>Pasul 3 Uurmați instrucțiunile de asociere în aplicația hOn.</p> 

Funcția Wi-Fi

1. Uurmați instrucțiunile aplicației pentru a configura Wi-Fi.
2. După configurarea Wi-Fi și stabilirea conexiunii, pictograma Wi-Fi „I” rămâne aprinsă.
3. Dacă Wi-Fi-ul este deja configurat, acesta se va reconecta automat în funcție de informațiile de configurare, dacă se activează conexiunea Wi-Fi.

OBSERVAȚIE

1. Pentru a opri Wi-Fi, apăsați butonul Wi-Fi „K7”, iar pictograma Wi-Fi „I” se oprește.
2. Pentru a porni Wi-Fi și a începe configurarea, apăsați butonul Wi-Fi „K7”, iar pictograma Wi-Fi „I” începe să lumineze intermitent ușor. Dacă doriți să configurați funcția Wi-Fi, apăsați butonul „K7” timp de 3 secunde, pictograma Wi-Fi se aprinde intermitent rapid și intră în modul de configurare. Dacă doriți să dezactivați funcția Wi-Fi, apăsați butonul „K7” o dată. Repetați pașii de mai sus.
3. Dacă produsul a fost configurat și funcția Wi-Fi a fost dezactivată, frigiderul nu va intra în modul de configurare, după ce acesta este din nou conectat la curent.

OBSERVAȚIE

1. Acest produs nu este destinat utilizării comerciale.
2. Puterea maximă de ieșire RF: 2,4 GHz Wi-Fi: 16dBm;
3. Bluetooth LE:5dBm; Bluetooth (BR/EDR):10dBm.
4. Banda de frecvență de funcționare: 2400-2483,5 MHz.

Depozitarea în compartimentul frigiderului

- Mențineți temperatura frigiderului sub 5 °C.
- Alimentele fierbinți trebuie răcite la temperatura camerei înainte de a fi depozitate în aparat.
- Alimentele depozitate în frigider trebuie spălate și uscate înainte de depozitare.
- Alimentele care vor fi depozitate trebuie sigilate corespunzător pentru a evita modificarea mirosului sau a gustului.
- Nu depozitați cantități excesive de alimente. Lăsați spații între alimente pentru a permite trecerea fluxului de aer rece în jurul acestora, pentru o răcire mai bună și mai omogenă.
- Alimentele consumate zilnic trebuie depozitate în partea din față a raftului.
- Lăsați un spațiu între alimente și pereții interior, pentru a permite trecerea aerului. În orice caz, nu depozitați alimente lipite de peretele din spate: alimentele pot îngheța pe peretele din spate. Evitați contactul direct al alimentelor (în special al alimentelor uleioase sau acide) cu căptușeala interioară, deoarece uleiul/acidul poate eroda căptușeala interioară. Curățați reziduurile de ulei/acid atunci când le depistați.
- Alimentele congelate pot fi dezghețate încet în compartimentul frigiderului. Astfel, economisiți energie.
- Procesul de îmbătrânire a fructelor și legumelor precum dovlecei, pepene, papaya, banane, ananas etc. poate fi accelerat în frigider. Prin urmare, nu este recomandată depozitarea lor în frigider. Totuși, coacerea fructelor foarte verzi poate fi accelerată pentru o anumită perioadă. Și ceapa, usturoiul, ghimbirul și alte legume rădăcinoase trebuie depozitate la temperatura camerei.
- Mirosurile neplăcute din interiorul frigiderului reprezintă un semn că ceva s-a vărsat și este necesară curățarea. Consultați secțiunea Îngrijire și curățare.
- Alimentele diferite trebuie amplasate în zone diferite, în funcție de proprietățile acestora.

Depozitarea în compartimentul congelatorului

- Mențineți temperatura congelatorului la -18 °C.
- Cu 24 de ore înainte de congelare, porniți funcția Super-Freeze. Pentru cantități mici de mâncare sunt suficiente 4-6 ore.
- Alimentele fierbinți trebuie răcite la temperatura camerei înainte de a fi depozitate în compartimentul congelatorului.
- Alimentele tăiate în bucăți mici vor congela mai repede și vor fi mai ușor de decongelat și gătit. Greutatea recomandată pentru fiecare bucată este de sub 2,5 kg.
- Este recomandată ambalarea alimentelor înainte de amplasarea lor în congelator. Exteriorul ambalajului trebuie să fie uscat pentru a evita lipirea pungilor între ele.



Materialele folosite pentru ambalare trebuie să nu aibă miros, să fie etanșe, să nu fie otrăvitoare sau toxice.

- Pentru a evita expirarea perioadelor de depozitare, notați data congelării, limita în timp și denumirea alimentelor pe ambalaj în funcție de perioadele de depozitare ale diferitelor alimente.



AVERTISMENT!

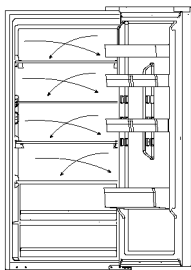
- ▶ Produsele acide, alcaline și sarea etc. pot eroda suprafața interioară a congelatorului.
- ▶ Nu puneți alimentele care conțin aceste substanțe (de exemplu, pește marin) direct pe suprafața interioară. Apa sărată din interiorul congelatorului trebuie curățată imediat.
- ▶ Nu depășiți perioada de depozitare a alimentelor recomandate de producători. Scoateți din congelator numai cantitatea necesară de alimente.
- ▶ Consumați rapid alimentele decongelate. Alimentele decongelate nu pot fi recongelate decât dacă sunt gătite, mai întâi. În caz contrar, acestea pot fi mai puțin comestibile.
- ▶ Nu încărcăți cantități excesive de alimente proaspete în compartimentul congelatorului. Consultați capacitatea de congelare a congelatorului - Vedeți DATELE TEHNICE sau datele de pe plăcuța de identificare.
- ▶ Alimentele pot fi depozitate în congelator la o temperatură de cel puțin -18 °C timp de 2-12 luni funcție de proprietăți (de ex., carnea: 3-12 luni, legumele: 6-12 luni)
- ▶ Atunci când congelați alimente proaspete, evitați contactul dintre acestea și alimentele deja congelate. Risc de decongelare!

În cazul depozitării alimentelor congelate comercial, urmați următoarele indicații:

- Urmați întotdeauna instrucțiunile producătorilor privind durata de timp în care puteți depozita alimentele. Nu depășiți aceste indicații!
- Încercați să păstrați durata de timp dintre cumpărare și depozitare cât mai mică posibil pentru a menține calitatea alimentelor.
- Cumpărați alimente congelate care au fost depozitate la o temperatură de -18 °C sau mai joasă.
- Evitați să cumpărați alimente care au gheață pe ambalaj - acest lucru indică faptul că produsele pot să fi fost decongelate parțial și recongelate într-un anumit moment; creșterile de temperatură afectează calitatea alimentelor.

i AVERTISMENT

Ca urmare a modelelor diferite, produsul dvs. poate să nu aibă toate funcțiile următoare. Vă rugăm să consultați capitolul Descrierea produsului.



Flux de aer multiplu

Frigiderul este prevăzut cu un sistem cu flux de aer multiplu, prin care fluxurile de aer rece sunt asigurate la nivelul fiecărui raft. Acest lucru ajută la păstrarea unei temperaturi uniforme pentru a asigura faptul că alimentele dvs. sunt menținute proaspete pentru mai mult timp.

Raft ajustabil



1. Înălțimea rafturilor poate fi ajustată pentru a se potrivi nevoilor dvs. de depozitare.
2. Pentru re poziționarea unui raft, scoateți-l mai întâi ridicând marginea din spate ① și trăgându-l afară ②.
3. Pentru montarea la loc, așezați-l pe canalele de pe ambele părți și împingeți-l în cea mai din spate poziție, până când partea din spate a raftului este fixată în interiorul fantelor laterale.

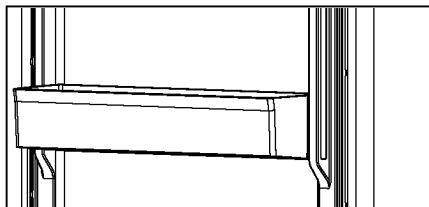
i OBSERVAȚIE

Asigurați-vă că toate capetele unui raft sunt drepte.

Sertar detașabil de depozitare pe ușă

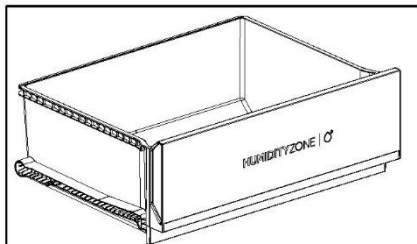
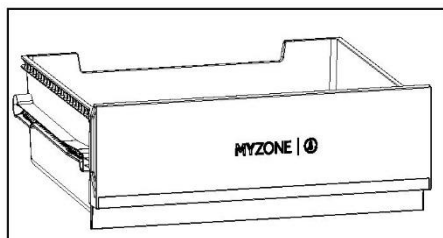
Sertarul de depozitare pe ușă poate fi îndepărtat pentru a fi curățat:

Puneți mâinile pe fiecare parte a sertarului de depozitare pe ușă, ridicați-l (1) și trageți-l în afară (2). Pentru introducerea sertarului de depozitare pe ușă, urmați pașii de mai sus în ordine inversă.



Sertarul My Zone

Pentru utilizarea și setarea compartimentului My Zone, consultați secțiunea UTILIZARE (My Zone).



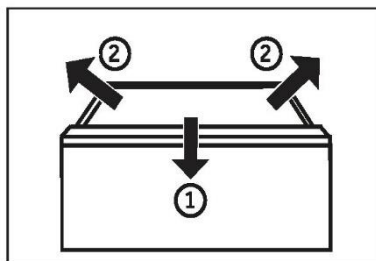
Sertar Humidity Zone

În acest compartiment nivelul de umiditate este controlat automat de sistem și este potrivit pentru depozitarea fructelor, legumelor, salatelor etc.

Sertar demontabil

Pentru a scoate sertarul din compartimentul frigider sau congelator, trageți sertarul maxim în afară (1), ridicăți-l și scoateți-l (2).

Pentru introducerea sertarului, urmați pașii de mai sus în ordine inversă.



Sertar congelator

Sertarele congelatorului pot fi extinse drept și complet. Ele sunt montate pe o șină telescopică care se derulează ușor. Acestea vă permit să depozitați și să îndepărtați cu ușurință sertarul congelatorului. Datorită mecanismului de închidere automată a ușii, manipularea este ușoară și economisiți energie.



AVERTISMENT!

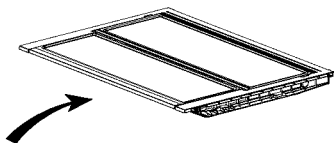
Nu încărcați excesiv sertarele: Sarcina maximă a fiecărui sertar: 35 kg!

Becul

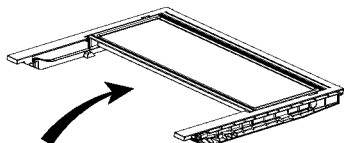
Becul interior cu LED se aprinde la deschiderea ușii. Performanța luminilor nu este afectată de nicio altă setare a aparatului.

Raft rabatabil

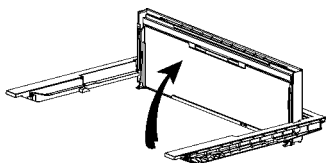
Raftul rabatabil va permite utilizatorului să depoziteze sticle sau articole înalte pe rafturi. Raftul pot fi pliat în spate, iar spațiul disponibil pentru raftul inferior va fi mai mare. Raftul poate fi pliat urmând indicațiile din Pașii 1~3. Dacă doriți ca el să revină la poziția inițială, efectuați următoarele proceduri în ordine inversă.



Pasul 1: Împingeți încet partea din față a raftului până la capăt.



Pasul 2: Împingeți încet raftul în sus până la poziția sa verticală.



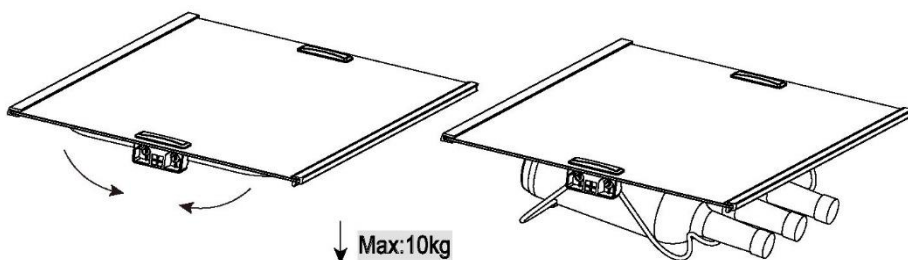
Pasul 3: Raftul este vertical.
Va economisi spațiu.

Raft rabatabil pentru vinuri

Pentru utilizare obișnuită

1. Trageți în jos suporturile raftului pentru vinuri
2. Puneți sticlele pe raft

Atunci când nu este utilizat, raftul pentru vinuri poate fi pliat la loc pentru a economisi spațiu.





Sfaturi de economisire a energiei

- ▶ Asigurați-vă că aparatul este ventilat corespunzător (consultați secțiunea INSTALARE).
- ▶ Nu instalați aparatul în lumina directă a razelor soarelui sau în apropierea surselor de căldură (de ex. aragaze, radiatoare).
- ▶ Evitați setarea temperaturilor nenecesare de scăzute în aparat. Consumul de energie crește odată cu scăderea temperaturii setate în aparat.
- ▶ Funcții precum SUPER FREEZE consumă mai multă energie.
- ▶ Lăsați alimentele calde să se răcească înainte de a le amplasa în aparat.
- ▶ Deschideți ușa aparatului cât mai puțin și pentru o perioadă cât mai scurtă posibil.
- ▶ Nu umpleți excesiv aparatul, pentru a evita obstrucționarea fluxului de aer.
- ▶ Evitați prezența aerului în ambalajul alimentelor.
- ▶ Mențineți garniturile ușii curate astfel încât ușa să se închidă corect întotdeauna.
- ▶ Decongelați alimentele congelate în compartimentul de depozitare al frigiderului sau utilizați funcția D-Frost din sertarul My Zone.
- ▶ Cea mai economică configurație necesită poziționarea sertarului, cutiei de alimente și a rafturilor în aparat în starea din fabrică, iar alimentele trebuie poziționate astfel încât să nu blocheze evacuarea aerului.



AVERTISMENT!

Deconectați aparatul de la rețeaua de alimentare înainte de curățare.

Curățare

Curățați aparatul atunci când sunt depozitate puține alimente sau când acesta este gol. Aparatul trebuie curățat o dată la patru săptămâni pentru o întreținere corectă și pentru a preveni mirosurile neplăcute cauzate de mâncarea depozitată.



AVERTISMENT!

- ▶ Nu curățați aparatul cu perii aspre, cu perii de sârmă, cu detergent pulbere, benzină, acetat de amil, acetonă sau soluții organice similare, soluții acide sau alcaline. Curățați cu detergent special pentru frigider pentru a evita deteriorările.
- ▶ Nu pulverizați și nu spălați aparatul în timpul curățării.
- ▶ Nu folosiți pulverizarea cu apă sau aburi de apă în timpul curățării aparatului.
- ▶ Nu curățați rafturile reci din sticlă cu apă fierbinte. Schimbarea bruscă de temperatură poate face ca sticla să se spargă.
- ▶ Nu atingeți suprafața interioară a compartimentului de depozitare al congelatorului, în special cu mâinile ude, deoarece mâinile pot îngheța pe suprafață.
- ▶ În cazul încălzirii, verificați starea produselor congelate.



- ▶ Asigurați întotdeauna curățenia garniturii ușii.
- ▶ Curățați interiorul și carcasa aparatului cu un burete înmuiat în apă caldă și detergent neutru.
- ▶ 1. Este indicat să ștergeți interiorul și exteriorul frigiderului, inclusiv garniturile ușilor, raftul de pe ușă, rafturile din sticlă, cutiile și celelalte elemente, cu un prosop moale sau cu un burete înmuiat în apă caldă (puteți adăuga detergent neutru în apa caldă).
- ▶ 2. Dacă se varsă lichid, îndepărtați toate părțile contaminate, clătiți direct cu jet de apă, uscați-le și puneți-le înapoi în frigider.
- ▶ 3. Dacă se varsă alimente cu consistență cremoasă (cum ar fi smântâna, înghețata topită), vă rugăm să îndepărtați toate părțile contaminate, puneți-le în apă caldă la aproximativ 40 °C pentru o perioadă de timp, apoi clătiți-le cu jet de apă, uscați-le și puneți-le înapoi în frigider.
- ▶ 4. În cazul în care o parte mică sau o componentă este blocată în interiorul frigiderului (între rafturi sau sertare), utilizați o perie mică și moale pentru a o elibera. Dacă nu ați putut ajunge la piesa respectivă, contactați serviciul Haier
- ▶ Clătiți și uscați cu o cârpă moale.
- ▶ Nu curățați nicio parte a aparatului în mașina de spălat vase.



- Așteptați cel puțin 5 minute înainte de repornirea aparatului, deoarece pornirea frecventă poate deteriora compresorul.

Decongelarea

Decongelarea compartimentului frigiderului și congelatorului are loc automat, nefiind necesară intervenția manuală.

Înlocuirea becului LED



AVERTISMENT!

Nu înlocuiți becul LED de unul singur. Acesta trebuie înlocuit de producător sau de un agent de service autorizat.

Becul are un LED ca sursă de lumină a acestuia au un consum redus de energie și o durată mare de viață. În cazul în care există anormalități, contactați serviciul pentru clienți. Consultați secțiunea SERVICIU PENTRU CLIEŢI.

Parametrii becurilor:

Piesă	Bec cu LED
Tensiune	12V
Putere maximă	1,5 W
Spec. LED	Alb-2835
Clasa de eficiență LED	G
Temperatura de utilizare	-40~80 °C

HDPW7620*, HTW7620*

Piesă	Bec cu LED
Tensiune	12V
Putere maximă	8W
Spec. LED	Alb-4014
Clasa de eficiență LED	G
Temperatura de utilizare	-30~60°C

Neutilizare pentru o perioadă lungă de timp

Dacă aparatul nu este utilizat pe o perioadă extinsă de timp și nu veți folosi funcția Holiday pentru frigider:

Scoateți alimentele.

Deconectați cablul de alimentare.

Curățați aparatul conform descrierii de mai sus.

Țineți ușile congelatorului deschise pentru a preveni apariția mirosurilor neplăcute în interior.



OBSERVAȚIE

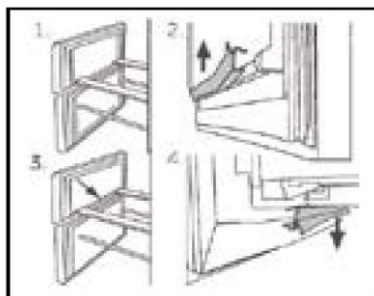
Opriiți aparatul numai dacă este strict necesar.

Garnituri auxiliare demontabile ușă

Există șase garnituri auxiliare pentru ușă la sertarele superioare și inferioare ale congelatorului.

1. Localizați cele cinci garnituri de ușă indicate la sertarul superior și cel inferior ale congelatorului.
2. Asigurați-vă că părțile îndoite ale garniturilor sunt îndreptate spre interior în timpul montării lor.
3. Localizați garnitura inferioară a sertarului superior, după cum se indică.
4. Asigurați-vă că partea îndoită a acestei garnituri este îndreptată în jos în timpul montării.

Puteți obține aceste garnituri și garniturile pentru ușa turnantă/sertar prin intermediul serviciului pentru clienți (consultați fișa de garanție).



Mutarea aparatului

1. Scoateți toate alimentele și deconectați aparatul.
2. Securizați rafturile și restul părților mobile din frigider și congelator cu bandă adezivă.
3. Nu înclinați frigiderul la mai mult de 45°, pentru a evita deteriorarea sistemului frigorific.



AVERTISMENT!

- ▶ Nu ridicați aparatul de mânăre.
- ▶ Nu poziționați niciodată aparatul orizontal pe sol.

Multe probleme care pot apărea pot fi rezolvate de dvs., fără a fi necesare cunoștințe specifice. În cazul unei probleme verificați toate posibilitățile afișate și urmați instrucțiunile de mai jos înainte de a apela la un serviciu post-vânzare. Consultați secțiunea **SERVICIU PENTRU CLIEŢI**.



AVERTISMENT!

- ▶ Înainte de întreținere, dezactivați aparatul și deconectați ștecărul de la rețeaua de alimentare.
- ▶ Echipamentele electrice trebuie depanate numai de către specialiști calificați în domeniul electric, deoarece reparațiile necorespunzătoare pot provoca daune indirecte considerabile.
- ▶ Un articol furnizat deteriorat trebuie înlocuit numai de către producător, agentul său de service sau persoane calificate similare, pentru a evita orice pericol.

Tabel de depanare

Problemă	Cauză posibilă	Soluție posibilă
Compresorul nu funcționează.	Ștecărul de alimentare nu este conectat la priza de alimentare.	Conectați ștecărul de alimentare.
	Aparatul este în ciclul de decongelare.	Acest lucru este normal în cazul unei decongelări automate.
Aparatul pornește frecvent sau pentru o perioadă prea mare de timp.	Temperatura interioară sau exterioară este prea ridicată.	În acest caz, este normal ca aparatul să funcționeze mai mult timp.
	Aparatul a fost deconectat de la energia electrică pentru o perioadă de timp.	În mod normal, durează între 8 și 12 ore ca aparatul să se răcească complet.
	O ușă/un sertar al aparatului nu este închis etanș.	Închideți ușa/sertarul și asigurați-vă că aparatul este amplasat pe o suprafață dreaptă și că nu există vreun aliment sau recipient care să deranjeze ușa.
	Ușa/sertarul a fost deschis prea des sau pentru o perioadă prea mare de timp.	Nu deschideți ușa/sertarul prea des.
	Setarea temperaturii pentru compartimentul congelatorului este prea joasă.	Setați temperatura la un valoare mai ridicată până când este obținută o temperatură satisfăcătoare a frigiderului. Este nevoie de 24 de ore pentru ca temperatura frigiderului să se stabilizeze.
	Garnitura ușii/sertarului este murdară, uzată, crăpată sau așezată incorect.	Curățați garnitura ușii/sertarului sau înlocuiți-o prin serviciul pentru clienți.
Circulația necesară a aerului nu este garantată.	Asigurați o ventilare adecvată.	



Problemă	Cauză posibilă	Soluție posibilă
Interiorul frigiderului este murdar și/sau miroase.	Interiorul frigiderului necesită curățare.	Curățați interiorul frigiderului.
	Sunt depozitate alimente cu miros puternic în frigider.	Ambalați bine alimentele.
În interiorul aparatului nu este suficient de rece.	Temperatura setată este prea ridicată.	Resetați temperatura.
	S-au păstrat alimente prea calde.	Răciți întotdeauna alimentele înainte de a le depozita.
	Au fost depozitate prea multe alimente în același timp.	Depozitați întotdeauna cantități mici de alimente.
	Produsele sunt prea apropiate unul de altul.	Lăsați un spațiu liber între mai multe alimente pentru a permite trecerea aerului.
	O ușă/un sertar al aparatului nu este închis etanș.	Închideți ușa/sertarul.
	Ușa/sertarul a fost deschis prea des sau pentru o perioadă prea mare de timp.	Nu deschideți ușa/sertarul prea des.
În interiorul aparatului este prea rece.	Temperatura setată este prea joasă.	Resetați temperatura.
	Funcția Super Freeze este activată sau este activă de prea mult timp.	Opriți funcția Super Freeze.
Se formează umezeală în interiorul compartimentului frigiderului.	Climatul este prea călduros și prea umed.	Creșteți temperatura.
	O ușă/un sertar al aparatului nu este închis etanș.	Închideți ușa/sertarul.
	Ușa/sertarul a fost deschis prea des sau pentru o perioadă prea mare de timp.	Nu deschideți ușa/sertarul prea des.
	Recipientele cu alimente sau lichide sunt lăsate deschise.	Lăsați alimentele fierbinți să se răcească la temperatura camerei și acoperiți alimentele și lichidele.
Umezeala se acumulează pe suprafața exterioară a frigiderului sau între uși/ușă și sertar.	Climatul este prea călduros și prea umed.	Acest lucru este normal într-un climat umed și se va modifica atunci când umiditatea va scădea.
	Ușa/sertarul nu este închis etanș.	Asigurați-vă că ușa/sertarul este închis etanș.
Pictogramele de pe afișaj luminează intermitent succesiv, iar sistemul de răcire nu funcționează.	Este în modul demo	Frigiderul este conectat la priză Țineți apăsat butonul „ZONĂ” și faceți clic pe butonul „Eco Mode” de cinci ori, apoi pictogramele vor înceta să mai lumineze intermitent succesiv.



Problemă	Cauză posibilă	Soluție posibilă
Gheață solidă în compartimentul congelatorului.	Produsele nu au fost ambalate corespunzător.	Împachetați întotdeauna bine alimentele.
	O ușă/un sertar al aparatului nu este închis etanș.	Închideți ușa/sertarul.
	Ușa/sertarul a fost deschis prea des sau pentru o perioadă prea mare de timp.	Nu deschideți ușa/sertarul prea des.
	Garnitura ușii/sertarului este murdară, uzată, crăpată sau așezată incorect.	Curățați garnitura ușii/sertarului sau înlocuiți-o cu una nouă.
Aparatul emite sunete anormale.	Ceva din interior împiedică închiderea corespunzătoare a ușii/sertarului.	Repoziționați rafturile, rafturile de ușă sau recipientele interne pentru a permite închiderea ușii/sertarului.
	Aparatul nu se află pe o suprafață dreaptă.	Reglați suportul pentru a aduce aparatul la același nivel.
Se aude un sunet similar cu cel al apei care curge.	Aparatul atinge unele obiecte din jurul acestuia.	Îndepărtați obiectele din jurul aparatului.
	Acest lucru este normal.	/
Veți auzi o alarmă sonoră.	Ușa compartimentului de depozitare al frigiderului este deschisă.	Închideți ușa sau opriți alarma manual.
Veți auzi un zumzet slab care vine din apropiere.	Sistemul anticondens este în funcțiune.	Acesta împiedică formarea condensului și este normal.
Iluminarea interioară sau sistemul de răcire nu funcționează.	Ștecărul de alimentare nu este conectat la priza de alimentare.	Conectați ștecărul de alimentare.
	Sursa de alimentare nu este intactă.	Verificați sursa de alimentare cu energie electrică din cameră. Contactați compania locală de electricitate!
	Becul cu LED este defect.	Contactați serviciul de depanare pentru înlocuirea becului.
Lateralele dulapului și garnitura ușii se încălzesc.	Acest lucru este normal.	/
Nu curge apă din robinetul dozatorului de apă	Încuietoarea nu este dezactivată.	Dezactivați încuietoarea.



Pană de curent

- ▶ În cazul unei pene de curent, alimentele ar trebui să rămână reci timp de aproximativ 13 ore. Urmați aceste sfaturi în cazul unei pene de curent prelungite, în special pe timpul verii.
- ▶ Deschideți ușa/serarul de cât mai puține ori posibil.
- ▶ Nu puneți alimente adiționale în aparat în timpul unei pene de curent.
- ▶ În cazul în care știți că se va produce o pană de curent, iar durata acesteia va fi mai mare de 13 ore, faceți cuburi de gheață și puneți-le într-un recipient pe raftul de sus din compartimentul frigiderului.
- ▶ Imediat după întreruperea energiei electrice este necesară inspectarea produselor.
- ▶ Dat fiind faptul că temperatura din frigider va crește în timpul unei pene de curent sau în cazul altei defecțiuni, perioada de depozitare și calitatea alimentelor comestibile vor fi reduse. Alimentele care se decongelează trebuie consumate sau gătite și recongelate (unde este cazul) cât mai curând după aceea, pentru a preveni apariția riscurilor pentru sănătate.

OBSERVAȚIE

Funcția de memorare în timpul penei de curent

După restabilirea alimentării cu energie electrică, aparatul continuă să funcționeze cu setările stabilite înaintea penei de curent.

Pentru contactarea asistenței tehnice, vizitați site-ul nostru web:

<https://corporate.haier-europe.com/en/>

La secțiunea „website” alegeți marca produsului dvs. și țara dvs. Veți fi redirectionat către website-ul specific unde puteți găsi numărul de telefon și alte modalități de contactare a asistenței tehnice.

Despachetare



AVERTISMENT!

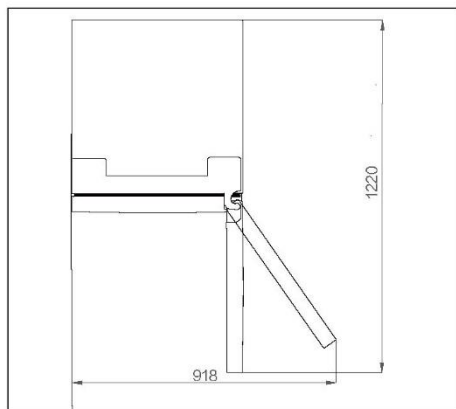
- ▶ Aparatul este greu. Manevrați-l întotdeauna cu cel puțin două persoane.
- ▶ Țineți toate materialele de ambalare la distanță de copii și eliminați-le într-un mod ecologic.
- ▶ Scoateți aparatul din ambalaj.
- ▶ Îndepărtați toate materialele de ambalare.

Condiții ambientale

Temperatura camerei trebuie să fie cuprinsă întotdeauna între 10 °C și 43 °C, deoarece poate influența temperatura din interiorul aparatului și consumul de energie al acestuia. Nu instalați aparatul în apropierea altor aparate care emit căldură (cuptoare, frigider) fără izolare.

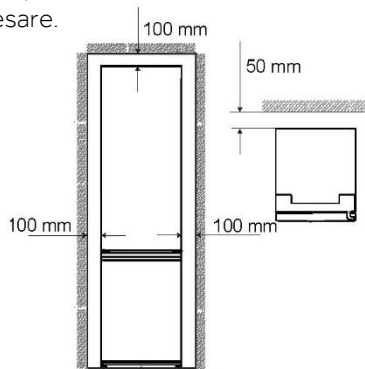
Cerințe legate de spațiu

Spațiul necesar atunci când ușa este deschisă.



Secțiune transversală ventilare

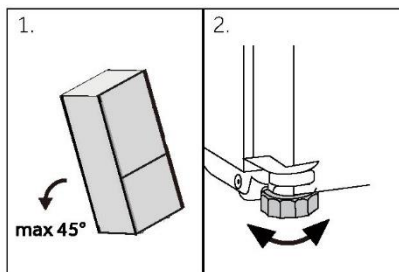
Pentru a obține o ventilare suficientă a aparatului din motive de siguranță, trebuie respectate informațiile legate de secțiunile transversale ale ventilării necesare.

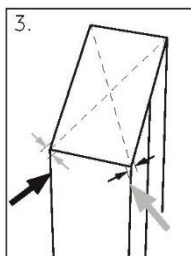


Alinierea aparatului

Aparatul trebuie amplasat pe o suprafață dreaptă și solidă.

1. Înclinați frigiderul ușor înapoi.
 2. Reglați picioarele la nivelul dorit.
- Asigurați-vă că distanța până la peretele de pe partea balamalei este de cel puțin 100 mm pentru ca ușa să se deschidă corect.

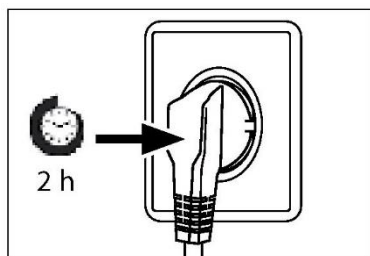




1. Stabilitatea poate fi verificată împingând alternativ pe diagonală. Balansarea ușoară trebuie să fie aceeași în ambele direcții. În caz contrar, cadrul se poate încovoia; drept rezultat pot apărea pierderi pe la garniturile ușii. Înclinarea ușoară spre spate favorizează închiderea ușilor.

i OBSERVAȚIE

Aparat de sine stătător: acest aparat frigorific nu este destinat utilizării ca aparat încorporabil



Timul de așteptare

Uleiul de ungere fără întreținere este amplasat în capsula compresorului. Uleiul respectiv poate trece prin sistemul cu țevi închis în timpul transportării înclinate. Înainte de conectarea aparatului la sursa de alimentare, trebuie să așteptați cel puțin 2 ore pentru ca uleiul să curgă înapoi în capsulă.

Conexiunea electrică

Înainte de fiecare conexiune verificați dacă:

- ▶ sursa de alimentare, priza și siguranța sunt conforme cu plăcuța cu date tehnice.
- ▶ priza de alimentare este legată la împământare și nu este de tip prize multiple sau prelungitor.
- ▶ ștecărul și priza de alimentare sunt strict conforme.

Conectați ștecărul la o priză de la domiciliu instalată corespunzător.



AVERTISMENT!

Pentru evitarea riscurilor, cablul de alimentare deteriorat trebuie înlocuit prin serviciul pentru clienți (consultați fișa de garanție).

Reversibilitatea uşii

Înainte de conectarea aparatului la sursa de alimentare, trebuie să verificați dacă modul de deschidere a uşii trebuie schimbat de la dreapta (cum este livrat) la stânga, dacă acest lucru este necesar ca urmare a locului de instalare și a utilizării.



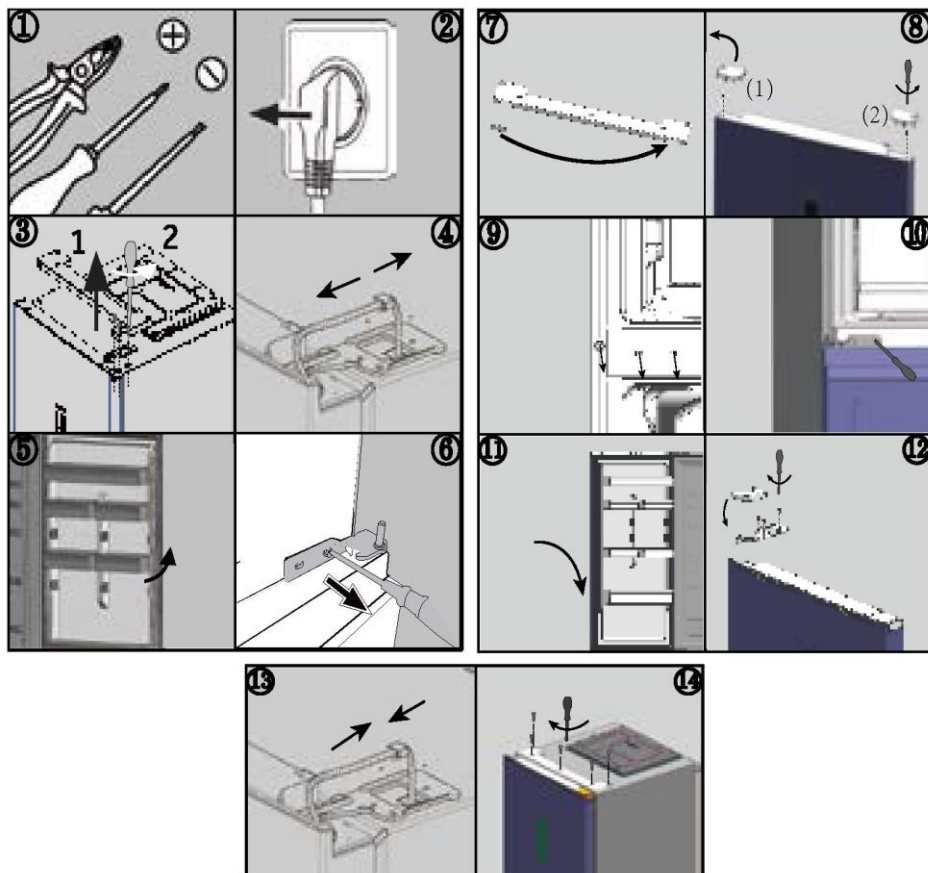
AVERTISMENT!

- ▶ Aparatul este greu. Sunt necesare două persoane pentru efectuarea operației de reversibilitate a uşii.
- ▶ Înainte de orice operațiune, deconectați aparatul de la rețeaua de alimentare
- ▶ Nu înclinați aparatul la un unghi mai mare de 45°, pentru a împiedica deteriorarea sistemului frigorific.

Etapele de asamblare

1. Asigurați instrumentele necesare.
2. Deconectați aparatul.
3. Scoateți capacul balamalei superioare (1) și deșurubați balamaua superioară (trei șuruburi) de pe partea dreaptă (2).
4. Deconectați cablul de conectare.
5. Ridicați cu atenție ușa slăbită a frigiderului de pe balamaua din mijloc.
6. Îndepărtați balamaua din mijloc.
7. Scoateți capacul mic din panoul frontal de la stânga la dreapta.
8. Întoarceți ușa cu susul în jos și deșurubați capacul (1). Scoateți noul capac (2) din punga necesară și înșurubați-l pe partea opusă.
9. Schimbați pozițiile dopurilor de acoperire și a șurubului lateral.
10. Înșurubați balamaua din mijloc pe partea stângă a aparatului. Acordați atenție inversării pivotului balamalei din mijloc, asigurându-vă că partea cu garnitura este orientată în sus.
11. Ridicați cu grijă ușa superioară de pe balamaua din mijloc. Și asigurați-vă că pivotul se potrivește în cilindrul balamalei uşii inferioare.
12. Scoateți noua balama superioară și capacul balamalei din punga cu accesorii. Treceți cablul de conectare prin balamaua superioară și prindeți balamaua superioară cu cele trei șuruburi de partea stângă a aparatului. Apoi, puneți capacul balamalei peste balama.
13. Conectați cablul de conectare.
14. Puneți la loc panoul frontal și fixați-l cu cinci șuruburi.

După schimbarea poziției uşii, verificați dacă garniturile uşii sunt amplasate corect pe carcasă și toate șuruburile sunt bine strânse.



Temperaturi ambientale

Temperată extinsă: acest aparat frigorific este proiectat pentru utilizarea la temperaturi ambientale cuprinse între 10 °C și 32 °C;

Temperată: acest aparat frigorific este proiectat pentru utilizarea la temperaturi ambientale cuprinse între 16 °C și 32 °C;

Subtropicală: acest aparat frigorific este proiectat pentru utilizarea la temperaturi ambientale cuprinse între 16 °C și 38 °C;

Tropicală: acest aparat frigorific este proiectat pentru utilizarea la temperaturi ambientale cuprinse între 16 °C și 43 °C;

**Parametrii produsului în conformitate cu Regulamentul (UE) 2019/2016**

Pe baza rezultatelor testului standard timp de 24 de ore. Consumul efectiv de energie va depinde de modul de utilizare a aparatului și de amplasarea acestuia

Model	HTW5618DN*	HTW5620DN*	HTW5618EN*
Tipul de aparat frigorific	Combină frigorifică	Combină frigorifică	Combină frigorifică
Clasa de eficiență energetică	D	D	E
Consumul anual de energie (kWh/an)	217	226	271
Volumul compartimentului frigiderului (l)	201	255	201
Volumul compartimentului congelatorului (l)	125	125	125
Volumul compartimentului de răcire (l)	34	34	34
Clasa de congelare	4-star	4-star	4-star
Tipul de dezghețare	Dezghețare automată	Dezghețare automată	Dezghețare automată
Timpul necesar creșterii temperaturii (h)	13	13	11
Capacitatea de congelare (kg/24 h)	10,0	10,0	10,0
Clasa de climat	SN.N.ST.T	SN.N.ST.T	SN.N.ST.T
Clasa de emisii sonore și emisii de zgomote acustice aeropurtate (dB(A) re 1pW)	B(35)	B(35)	B(35)



Model	HTW5618CN*	HTW5620CN*	HTW5620EN*
Tipul de aparat frigorific	Combină frigorifică	Combină frigorifică	Combină frigorifică
Clasa de eficiență energetică	C	C	E
Consumul anual de energie (kWh/an)	173	181	283
Volumul compartimentului frigiderului (l)	201	255	255
Volumul compartimentului congelatorului (l)	125	125	125
Volumul compartimentului de răcire (l)	34	34	34
Clasa de congelare	4-star	4-star	4-star
Tipul de dezghețare	Dezghețare automată	Dezghețare automată	Dezghețare automată
Timpul necesar creșterii temperaturii (h)	13	13	11
Capacitatea de congelare (kg/24 h)	10,0	10,0	10,0
Clasa de climat	SN.N.ST.T	SN.N.ST.T	SN.N.ST.T
Clasa de emisii sonore și emisii de zgomote acustice aeropurtate (dB(A) re 1pW)	B(35)	B(35)	B(35)



Model	HDPW5618DN*	HDPW5620DN* HDPW3620DN*	HTW7620CN*
Tipul de aparat frigorific	Combină frigorifică	Combină frigorifică	Combină frigorifică
Clasa de eficiență energetică	D	D	C
Consumul anual de energie (kWh/an)	214	220	181
Volumul compartimentului frigiderului (l)	201	255	255
Volumul compartimentului congelatorului (l)	117	117	125
Volumul compartimentului de răcire (l)	34	34	34
Clasa de congelare	4-star	4-star	4-star
Tipul de dezghețare	Dezghețare automată	Dezghețare automată	Dezghețare automată
Timpul necesar creșterii temperaturii (h)	13	13	13
Capacitatea de congelare (kg/24 h)	10,0	10,0	10,0
Clasa de climat	SN.N.ST.T	SN.N.ST.T	SN.N.ST.T
Clasa de emisii sonore și emisii de zgomote acustice aeropurtate (dB(A) re 1pW)	B(35)	B(35)	B(35)



Model	HDPW3618DN*	HDPW3620CN*	HTW3620DN*
Tipul de aparat frigorific	Combină frigorifică	Combină frigorifică	Combină frigorifică
Clasa de eficiență energetică	D	C	D
Consumul anual de energie (kWh/an)	214	176	226
Volumul compartimentului frigiderului (l)	201	255	255
Volumul compartimentului congelatorului (l)	117	117	125
Volumul compartimentului de răcire (l)	34	34	34
Clasa de congelare	4-star	4-star	4-star
Tipul de dezghețare	Dezghețare automată	Dezghețare automată	Dezghețare automată
Timpu necesar creșterii temperaturii (h)	13	13	13
Capacitatea de congelare (kg/24 h)	10,0	10,0	10,0
Clasa de climat	SN.N.ST.T	SN.N.ST.T	SN.N.ST.T
Clasa de emisii sonore și emisii de zgomote acustice aeropurtate (dB(A) re 1pW)	B(35)	B(35)	B(35)



Model	HDPW5618CN*	HDPW5620CN*	HDPW5620AN* HDPW7620AN*
Tipul de aparat frigorific	Combină frigorifică	Combină frigorifică	Combină frigorifică
Clasa de eficiență energetică	C	C	A
Consumul anual de energie (kWh/an)	171	176	114
Volumul compartimentului frigiderului (l)	201	255	255
Volumul compartimentului congelatorului (l)	117	117	120
Volumul compartimentului de răcire (l)	34	34	34
Clasa de congelare	4-star	4-star	4-star
Tipul de dezghețare	Dezghețare automată	Dezghețare automată	Dezghețare automată
Timpul necesar creșterii temperaturii (h)	13	13	16
Capacitatea de congelare (kg/24 h)	10,0	10,0	10,0
Clasa de climat	SN.N.ST.T	SN.N.ST.T	SN.N.ST.T
Clasa de emisii sonore și emisii de zgomote acustice aeropurtate (dB(A) re 1pW)	B(35)	B(35)	B(35)



Model	HDPW5620BN*	HTW7620DN*	HDPW7620AAN*
Tipul de aparat frigorific	Combină frigorifică	Combină frigorifică	Combină frigorifică
Clasa de eficiență energetică	B	D	A
Consumul anual de energie (kWh/an)	142	226	92
Volumul compartimentului frigiderului (l)	255	255	255
Volumul compartimentului congelatorului (l)	120	125	120
Volumul compartimentului de răcire (l)	34	34	34
Clasa de congelare	4-star	4-star	4-star
Tipul de dezghețare	Dezghețare automată	Dezghețare automată	Dezghețare automată
Timpu necesar creșterii temperaturii (h)	13	13	16
Capacitatea de congelare (kg/24 h)	10,0	10,0	12,0
Clasa de climat	SN.N.ST.T	SN.N.ST.T	SN.N.ST.T
Clasa de emisii sonore și emisii de zgomote acustice aeropurtate (dB(A) re 1pW)	B(35)	B(35)	B(35)



Model	HTW5618DW*		
Tipul de aparat frigorific	Combină frigorifică		
Clasa de eficiență energetică	D		
Consumul anual de energie (kWh/an)	216		
Volumul compartimentului frigiderului (l)	198		
Volumul compartimentului congelatorului (l)	125		
Volumul compartimentului de răcire (l)	34		
Clasa de congelare	4-star		
Tipul de dezghețare	Dezghețare automată		
Timpul necesar creșterii temperaturii (h)	13		
Capacitatea de congelare (kg/24 h)	10,0		
Clasa de climat	SN.N.ST.T		
Clasa de emisii sonore și emisii de zgomote acustice aeropurtate (dB(A) re 1pW)	B(35)		



Date tehnice suplimentare

Model	HTW5618DN*	HTW5618EN*	HTW5620DN*
Volumul total (l)	360	360	414
Tensiune/Frecvență	220-240V/50Hz	220-240V/50Hz	220-240V/50Hz
curentul de intrare (A)	1,4	1,4	1,4
Siguranța principală (A)	16	16	16
Agent frigorific	R600a(53g)	R600a(53g)	R600a(53g)
Dimensiuni (L/A/Î în mm)	595*667*1850	595*667*1850	595*667*2050

Model	HTW5618CN*	HTW5620CN*	HTW5620EN*
Volumul total (l)	360	414	414
Tensiune/Frecvență	220-240V/50Hz	220-240V/50Hz	220-240V/50Hz
curentul de intrare (A)	1,4	1,4	1,4
Siguranța principală (A)	15	15	16
Agent frigorific	R600a(50g)	R600a(50g)	R600a(53g)
Dimensiuni (L/A/Î în mm)	595*667*1850	595*667*2050	595*667*2050



Model	HDPW5618DN*	HDPW5620DN*	HDPW3620DN*
Volumul total (l)	352	406	406
Tensiune/Frecvență	220-240V/50Hz	220-240V/50Hz	220-240V/50Hz
curentul de intrare (A)	1,4	1,4	1,4
Siguranța principală (A)	16	16	16
Agent frigorific	R600a(53g)	R600a(53g)	R600a(53g)
Dimensiuni (L/A/Î în mm)	595*667*1850	595*667*2050	595*667*2050

Model	HDPW5618CN*	HDPW5620CN*	HDPW5620AN*
Volumul total (l)	352	406	409
Tensiune/Frecvență	220-240V/50Hz	220-240V/50Hz	220-240V/50Hz
curentul de intrare (A)	1,4	1,4	1,4
Siguranța principală (A)	15	15	16
Agent frigorific	R600a(50g)	R600a(50g)	R600a(50g)
Dimensiuni (L/A/Î în mm)	595*667*1850	595*667*2050	595*667*2050



Date tehnice suplimentare

Model	HDPW3618DN*	HDPW3620CN*	HTW3620DN*
Volumul total (l)	352	406	414
Tensiune/Frecvență	220-240V/50Hz	220-240V/50Hz	220-240V/50Hz
curentul de intrare (A)	1,4	1,4	1,4
Siguranța principală (A)	16	15	16
Agent frigorific	R600a(53g)	R600a(50g)	R600a(53g)
Dimensiuni (L/A/Î în mm)	595*667*1850	595*667*2050	595*667*2050

Model	HDPW7620AAN*	HDPW5620BN*	HDPW7620AN*
Volumul total (l)	409	409	409
Tensiune/Frecvență	220-240V/50Hz	220-240V/50Hz	220-240V/50Hz
curentul de intrare (A)	1,4	1,4	1,4
Siguranța principală (A)	16	16	16
Agent frigorific	R600a(55g)	R600a(50g)	R600a(50g)
Dimensiuni (L/A/Î în mm)	595*667*2050	595*667*2050	595*667*2050

**Date tehnice suplimentare**

Model	HTW7620DN*	HTW7620CN*	HTW5618DW*
Volumul total (l)	414	414	357
Tensiune/Frecvență	220~240V/50Hz	220~240V/50Hz	220~240V/50Hz
curentul de intrare (A)	1,4	1,4	1,4
Siguranța principală (A)	16	15	16
Agent frigorific	R600a(53g)	R600a(50g)	R600a(53g)
Dimensiuni (L/A/Î în mm)	595*667*2050	595*667*2050	595*667*1850



Vă recomandăm să apelați la serviciul pentru clienți Haier și să utilizați piese de schimb originale.

Dacă aveți o problemă cu aparatul, consultați mai întâi secțiunea DEPANARE.

Dacă nu găsiți nicio soluție acolo, contactați

- ▶ distribuitorul local sau
- ▶ Centrul nostru european de servicii telefonice (vedeți numerele de telefon enumerate mai jos) sau
- ▶ zona Service și Asistență pe www.haier.com, unde puteți activa cererea de service
- ▶ și găsi, de asemenea, întrebări frecvente.

Pentru contactarea serviciului nostru, asigurați-vă că aveți următoarele date. Informațiile pot fi găsite pe plăcuța cu date tehnice.

Model _____

Nr. serie _____

De asemenea, verificați și fișa de garanție furnizată cu produsul, în cazul garanției.

Centrul european de servicii telefonice		
Țara*	Număr de telefon	Costuri
Haier Italy (IT)	199 100 912	
Haier Spain (ES)	902 509 123	
Haier Germany (DE)	0180 5 39 39 99	<ul style="list-style-type: none"> • 14 Ct/min de pe telefon fix • max 42 Ct/Min de pe mobil
Haier Austria (AT)	0820 001 205	<ul style="list-style-type: none"> • 14,53 Ct/min de pe telefon fix • max 20 Ct/Min de pe toate celelalte
Haier United Kingdom (UK)	0333 003 8122	
Haier France (FR)	0980 406 409	



* Pentru alte țări, consultați www.haier.com

Haier Europe Trading S.r.l

Filiala Marea Britanie

Westgate House, Westgate, Ealing

Londra, W5 1YY

*Durata garanției aparatului frigorific:

Garanția minimă este de: 2 ani pentru țările din UE, 3 ani pentru Turcia, 1 an pentru Marea Britanie, 1 an pentru Rusia, 3 ani pentru Suedia, 2 ani pentru Serbia, 5 ani pentru Norvegia, 1 an pentru Maroc, 6 luni pentru Algeria, Tunisia nu necesită nicio garanție legală.

* Perioada de piese de schimb pentru repararea aparatului:

Termostatele, senzorii de temperatură, plăcile cu circuite imprimate și sursele de lumină sunt disponibile timp de o perioadă minimă de șapte ani de la punerea pe piață a ultimei unități a modelului.

Mânerele de uși, balamalele de uși, tăvile și coșurile, timp de o perioadă minimă de șapte ani, iar garniturile de uși timp de o perioadă minimă de 10 ani de la punerea pe piață a ultimei unități a modelului.

*Pentru mai multe informații despre produs, consultați <https://eprel.ec.europa.eu/> sau scanați codul QR de pe eticheta energetică furnizată cu aparatul.

5 Bezpečnostné informácie

Pred prvým použitím 6

Inštalácia 6

Každodenné používanie 7

10 Určené použitie**11 Opis výrobku****22 Ovládací panel****23 Použite**

Úprava teploty chladničky 24

Úprava teploty mrazničky 24

Úprava teploty priestoru My Zone 24

Funkcia Super Cool 25

Funkcia Super Freeze 26

31 Vybavenie**35 Tipy na úsporu energie****36 Starostlivosť a čistenie****39 Riešenie problémov****43 Inštalácia****47 Technické údaje****58 Zákaznícky servis**

Kliknutím na obsah zobrazíte podrobné informácie.

Ďakujeme za zakúpenie produktu Haier.

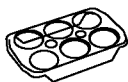
Pred použitím tohto spotrebiča si pozorne prečítajte tieto pokyny. Pokyny obsahujú dôležité informácie, ktoré vám pomôžu vyťažiť zo spotrebiča maximum a zaistia bezpečnú a správnu inštaláciu, používanie a údržbu.

Túto príručku uschovajte na vhodnom mieste, aby ste si mohli kedykoľvek prečítať pokyny na bezpečné a správne používanie spotrebiča.

Ak spotrebič predávate, darujete alebo ho nechávate v domácnosti po odťahovaní, nezabudnite s ním novému vlastníkovi odovzdať aj túto príručku, aby sa mohol oboznámiť so spotrebičom a bezpečnostnými upozorneniami.

Príslušenstvo

Skontrolujte príslušenstvo a dokumentáciu podľa tohto zoznamu:



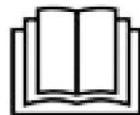
Zásobník na vajcia



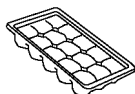
Energetický štítok



Záručný list



Príručka používateľa



Forma na kocky ľadu



Závesy dverí



Kryt závesu



Vložka uzáveru

**VAROVANIE – Dôležité bezpečnostné informácie****POZNÁMKA – Všeobecné informácie a tipy****Informácie o životnom prostredí****Likvidácia**

Pomáhajte chrániť životné prostredie a zdravie ľudí. Obal vyhodte do vhodných nádob na recykláciu. Pomáhajte recyklovať odpad z elektrických a elektronických prístrojov. Spotrebiče označené týmto symbolom nelikvidujte s domácim odpadom. Výrobok odneste do miestneho recyklačného strediska alebo kontaktujte mestský úrad.

**VAROVANIE!**

Nebezpečenstvo poranenia alebo zadusenia!

Chladivá a plyny sa musia likvidovať profesionálnym spôsobom. Pred správnu likvidáciou sa uistite, že nie je poškodené potrubie okruhu chladiva. Spotrebič odpojte od elektrickej siete. Odrežte a zlikvidujte napájací kábel. Vyberte podnosy a zásuvky, ako aj západku a tesnenie dverí, aby ste zabránili zatvoreniu detí a domácich zvierat vnútri spotrebiča.

Pred prvým zapnutím spotrebiča si prečítajte nasledujúce bezpečnostné pokyny!:



VAROVANIE!

Pred prvým použitím

- ▶ Uistite sa, že sa spotrebič pri preprave nepoškodil.
- ▶ Odstráňte všetky obaly a uložte ich mimo dosahu detí.
- ▶ Pred inštaláciou spotrebiča počkajte najmenej dve hodiny, aby sa zabezpečila plná účinnosť chladiaceho okruhu.
- ▶ Pri premiestňovaní spotrebiča musia spolupracovať aspoň dve osoby, pretože je ťažký.

Inštalácia

- ▶ Spotrebič musí byť umiestnený na dobre vetranom mieste. Nad spotrebičom a v jeho okolí musíte zabezpečiť minimálne 10 cm priestor.
- ▶ Spotrebič nikdy neumiestňujte na vlhké miesto ani na miesto, kde by mohla striekať voda. Postriekania vodou a škvrny vyčistite a osušte mäkkou čistou handričkou.
- ▶ Spotrebič neinštalujte na priame slnečné svetlo ani do blízkosti zdrojov tepla (napr. kachle, ohrievače).
- ▶ Spotrebič nainštalujte a vyrovnajte na mieste, ktoré je vhodné svojou veľkosťou a využitím.
- ▶ Vetracie otvory v spotrebiči alebo v zabudovanej konštrukcii udržiajte bez prekážok.
- ▶ Uistite sa, že elektrické údaje na typovom štítku sa zhodujú s údajmi pre vašu sieť. V opačnom prípade kontaktujte elektrikára.
- ▶ Spotrebič je napájaný zo siete 220-240 VAC/50 Hz. Abnormálne kolísanie napätia môže spôsobiť, že sa spotrebič nezapne, poškodí sa regulátor teploty alebo kompresor alebo sa môže pri prevádzke vyskytnúť neobvyklý hluk. V takom prípade musíte namontovať automatický regulátor.
- ▶ Nepoužívajte adaptéry s viacerými zásuvkami ani predlžovacie káble.
- ▶ Na zadnú stranu spotrebiča neumiestňujte rozvodné prenosné zásuvky ani prenosné zdroje napájania.
- ▶ Uistite sa, že napájací kábel nie je zachytený v chladničke. Na napájací kábel nestúpajte.



VAROVANIE!

- ▶ Na elektrické napájanie použite samostatnú uzemnenú zásuvku, aby k nej bol zabezpečený jednoduchý prístup. Spotrebič musí byť uzemnený.
Len pre Spojené kráľovstvo: Napájací kábel spotrebiča je vybavený 3-vodičovou (uzemňovacou) zástrčkou, ktorá sa vsúva do štandardnej 3-vodičovej (uzemnenej) zásuvky. Tretí kolík (uzemnenie) nikdy neodrezávajte ani neodstraňujte. Po inštalácii spotrebiča musí byť zástrčka prístupná.
- ▶ Nepoškodte chladiaci okruh.

Každodenné používanie

- ▶ Deti staršie ako 8 rokov a osoby s obmedzenými fyzickými, zmyslovými alebo duševnými schopnosťami alebo nedostatkom skúseností či vedomostí môžu tento spotrebič používať pod dohľadom, resp. po poučení a oboznámení sa s bezpečným spôsobom používania a porozumení možným nebezpečenstvám.
- ▶ Deti vo veku od 3 do 8 rokov môžu do chladiacich spotrebičov nakladať a vykladať potraviny, nesmú ich však čistiť ani inštalovať.
- ▶ Deťom do 3 rokov nedovoľte, aby sa priblížili ku spotrebiču, pokiaľ nie sú pod neustálym dohľadom.
- ▶ Deti sa so spotrebičom nesmú hrať.
- ▶ Ak do blízkosti spotrebiča uniká studený plyn alebo iný horľavý plyn, zatvorte ventil unikajúceho plynu, otvorte dvere a okná a neodpájajte zástrčku napájacieho kábla chladničky ani iného zariadenia.
- ▶ Všimnite si, že spotrebič je nastavený na prevádzku v špecifickom klimatickom pásme 10 až 43 °C. Spotrebič možno nebude fungovať správne, ak sa ponechá dlho v prostredí s teplotou, ktorá je vyššia alebo nižšia než je uvedený rozsah.
- ▶ Na chladničku neumiestňujte nestabilné predmety (ťažké predmety, nádoby naplnené vodou), aby nedošlo k zraneniu osôb následkom pádu alebo úrazu elektrickým prúdom po kontakte s vodou.
- ▶ Neťahajte za police vo dverách. Dvere by sa mohli skriviť, stojan na fľaše odtrhnúť alebo by sa spotrebič mohol prevrátiť.
- ▶ Dvere otvárajte a zatvárajte iba pomocou rukovätí. Medzera medzi dverami a medzi dverami a skrinkou je veľmi úzka. Do týchto priestorov nesiahajte, aby nedošlo k pricviknutiu prstov. Dvere chladničky otvárajte alebo zatvárajte iba vtedy, ak v rozsahu pohybu dverí nestoja žiadne deti.



VAROVANIE!

- ▶ V spotrebiči ani v jeho blízkosti neskladujte a nepoužívajte horľavé, výbušné alebo korozívne materiály.
- ▶ V spotrebiči neskladujte lieky, baktérie ani chemické látky. Tento spotrebič je spotrebič pre domácnosť. Neodporúča sa skladovať materiály, ktoré vyžadujú presné teploty.
- ▶ V mrazničke nikdy neskladujte tekutiny vo fľašiach alebo v plechovkách (okrem liehovín s vysokým obsahom alkoholu), najmä sýtené nápoje, pretože tieto počas mrazenia prasknú.
- ▶ Ak došlo v mrazničke k ohrevu, skontrolujte stav potravín.
- ▶ V chladiacom priestore nenastavujte zbytočne nízku teplotu. Pri vysokých nastaveniach sa môžu vyskytnúť mínusové teploty. Pozor: Fľaše môžu prasknúť
- ▶ Zmrazených potravín sa nedotýkajte mokkými rukami (nasadte si rukavice). Najmä nekonzumujte nanuky ihneď po vybratí z mrazničky. Existuje riziko primrznutia alebo vytvorenia pľuzgierov z mrazu. PRVÁ pomoc: ihneď umiestnite pod tečúcu studenú vodu. Neodstraňujte ťahaním!
- ▶ Počas prevádzky sa nedotýkajte vnútorného povrchu priestoru mrazničky, najmä nie mokkými rukami, pretože by vám mohli ruky primrznúť k povrchu.
- ▶ V prípade prerušenia napájania alebo pred čistením odpojte spotrebič zo zásuvky. Pred opätovným zapnutím spotrebiča počkajte najmenej 7 minút, pretože časté štartovanie môže poškodiť kompresor.
- ▶ Vo vnútri boxov spotrebiča, ktoré slúžia na skladovanie potravín, nepoužívajte elektrické zariadenia, pokiaľ ich používanie neschválil výrobca. Údržba/čistenie
- ▶ Keď čistenie a údržbu vykonávajú deti, nenechávajte ich bez dozoru.
- ▶ Pred vykonávaním akejkoľvek bežnej údržby odpojte spotrebič od elektrickej siete. Pred opätovným zapnutím spotrebiča počkajte najmenej 5 minút, pretože časté štartovanie môže poškodiť kompresor.

**VAROVANIE!**

- ▶ Pri odpájaní spotrebiča chyťte zástrčku, nie kábel.
- ▶ Spotrebič nečistite tvrdými kefami, drôtenými kefami, čistiacim práškom, benzínom, amlacetátom, acetónom ani podobnými organickými roztokmi, kyselinami ani zásadami. Čistite pomocou špeciálneho čistiaceho prostriedku na chladničky, aby ste zabránili poškodeniu.
- ▶ Námrazu a ľad nezoškrabávajte ostrými predmetmi. Nepoužívajte spreje, elektrické ohrievače ako ohrievač, sušič vlasov, parné čističe alebo iné zdroje tepla, aby nedošlo k poškodeniu plastových častí.
- ▶ Na urýchlenie odmrazovania nepoužívajte mechanické nástroje ani iné prostriedky s výnimkou tých, ktoré odporúča výrobca.
- ▶ Ak je poškodený vonkajší napájací kábel, v záujme eliminácie akéhokoľvek rizika ho musí vymeniť výrobca, jeho servisný zástupca alebo rovnako kvalifikovaná osoba.
- ▶ Spotrebič sa nepokúšajte sami opravovať, rozoberať alebo upravovať. V prípade opravy kontaktujte náš zákaznícky servis.
- ▶ Aspoň raz za rok odstráňte prach zo zadnej strany jednotky, aby ste predišli nebezpečenstvu požiaru a zvýšenej spotrebe energie.
- ▶ Počas čistenia na spotrebič nestriekajte ani ho neoplachujte.
- ▶ Na čistenie spotrebiča nepoužívajte prúd vody ani paru.
- ▶ Studené sklenené poličky neumývajte horúcou vodou. Náhla zmena teploty môže spôsobiť rozbitie skla.

Informácie o chladiacom plyne**VAROVANIE!**

Spotrebič obsahuje horľavé chladivo IZOBUTÁN (R600a). Uistite sa, že sa počas prepravy alebo inštalácie nepoškodil chladiaci okruh. Unikajúce chladivo môže spôsobiť poranenie očí alebo vznietenie. Ak došlo k poškodeniu, udržujte zdroje otvoreného ohňa mimo dosahu, dôkladne vyvetrajte miestnosť a nepripájajte ani neodpájajte napájacie káble spotrebiča alebo akéhokoľvek iného spotrebiča. Informujte zákaznícky servis.

V prípade, že sa dostane chladivo do kontaktu s očami, ihneď ich vypláchnite pod tečúcou vodou a okamžite kontaktujte očného lekára.



Určené použitie

Tento spotrebič je určený na chladenie a mrazenie potravín. Bol navrhnutý výhradne na použitie v domácnostiach a podobných aplikáciách, ako sú kuchynské priestory pre zamestnancov v obchodoch, kanceláriách a iných pracovných prostrediach; vo farmárskych domoch, pre zákazníkov v hoteloch, motelloch a iných obytných priestoroch, ako aj pre zákazníkov ubytovacích a stravovacích služieb.

Nie je určený na komerčné ani priemyselné použitie.

Zmeny alebo úpravy spotrebiča nie sú povolené. Neúmyselné použitie môže spôsobiť nebezpečenstvo a stratu nárokov na záruku.

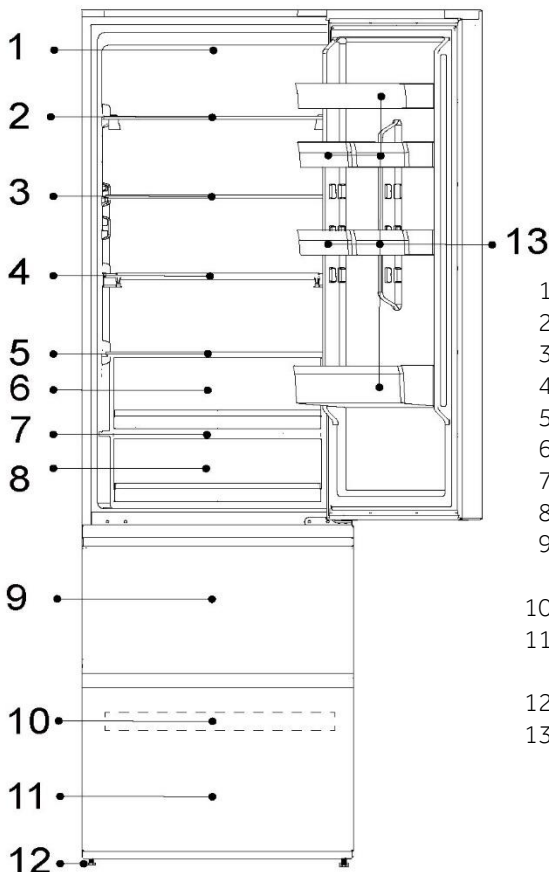
Normy a smernice **CE**

Tento výrobok spĺňa požiadavky všetkých príslušných smerníc ES s príslušnými harmonizovanými normami, ktoré ustanovujú označenie CE.

i OZNÁMENIE

Z dôvodu technických zmien a rôznych modelov sa niektoré ilustrácie v tejto príručke môžu líšiť od vášho modelu.

(HTW5620DN*, HTW5620CN*, HTW5620EN*)

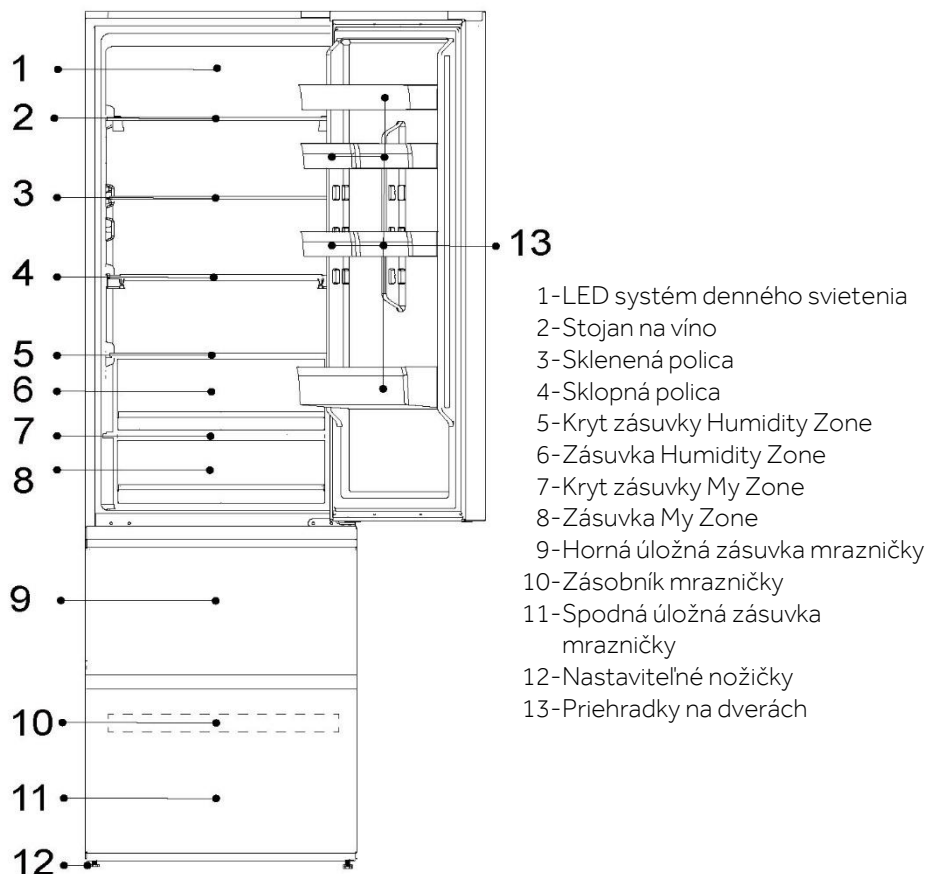


- 1-LED žiarovka chladničky
- 2-Stojan na víno
- 3-Sklenená polica
- 4-Sklopná polica
- 5-Kryt zásuvky Humidity Zone
- 6-Zásuvka Humidity Zone
- 7-Kryt zásuvky My Zone
- 8-Zásuvka My Zone
- 9-Horná úložná zásuvka mrazničky
- 10-Zásobník mrazničky
- 11-Spodná úložná zásuvka mrazničky
- 12-Nastaviteľné nožičky
- 13-Priehradky na dverách

i POZNÁMKA

Z dôvodu technických zmien a rôznych modelov sa niektoré ilustrácie v tejto príručke môžu líšiť od vášho modelu.

(HTW7620AN*, HTW7620CN*, HTW7620DN*)



1-LED systém denného svietenia

2-Stojan na víno

3-Sklenená polica

4-Sklopná polica

5-Kryt zásuvky Humidity Zone

6-Zásuvka Humidity Zone

7-Kryt zásuvky My Zone

8-Zásuvka My Zone

9-Horná úložná zásuvka mrazničky

10-Zásobník mrazničky

11-Spodná úložná zásuvka mrazničky

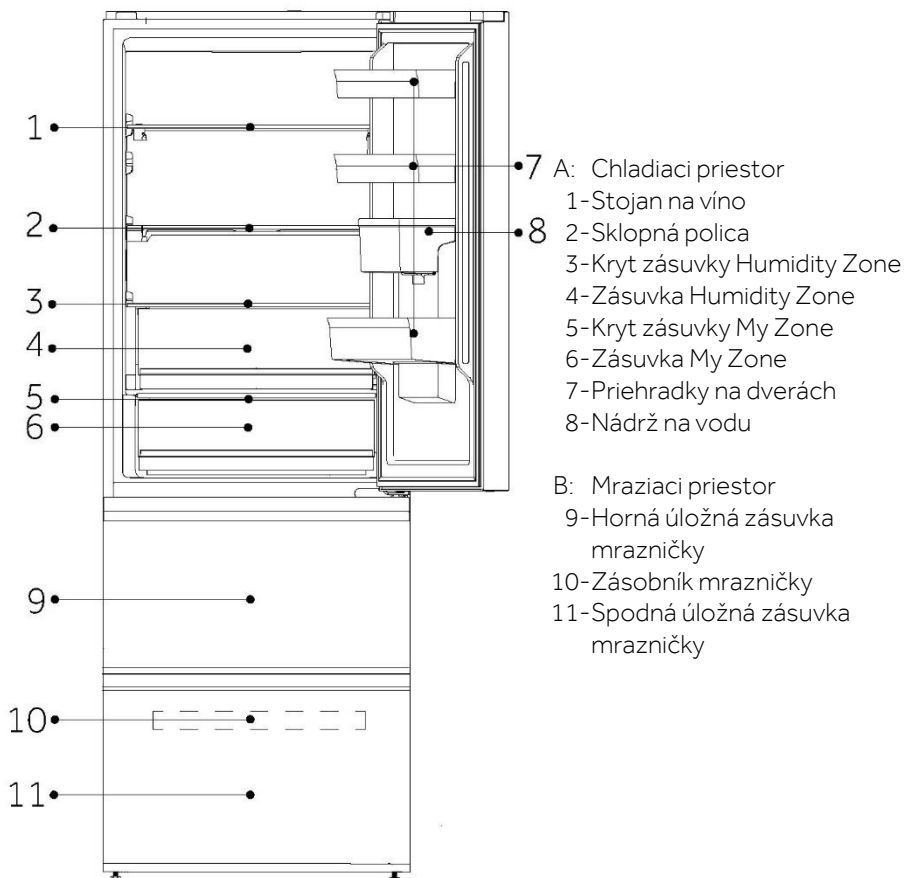
12-Nastaviteľné nožičky

13-Priehradky na dverách

i POZNÁMKA

Z dôvodu technických zmien a rôznych modelov sa niektoré ilustrácie v tejto príručke môžu líšiť od vášho modelu.

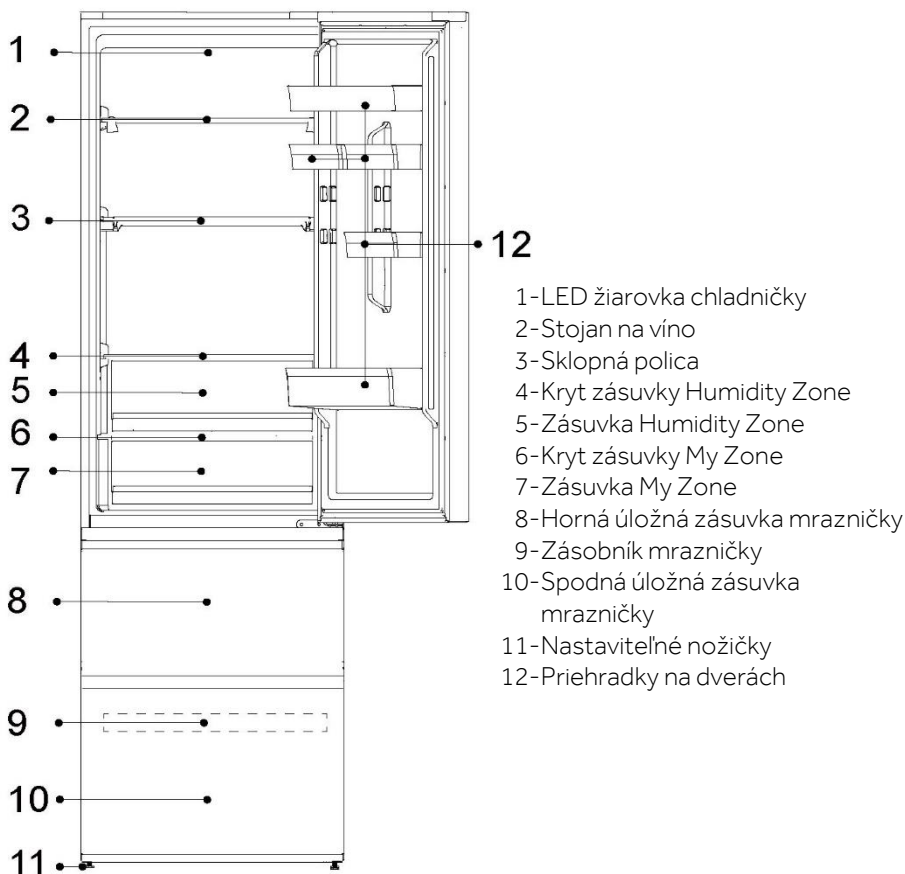
(HTW5618DW*)



i POZNÁMKA

Z dôvodu technických zmien a rôznych modelov sa niektoré ilustrácie v tejto príručke môžu líšiť od vášho modelu.

(HTW5618DN*, HTW5618CN*, HTW5618EN*)

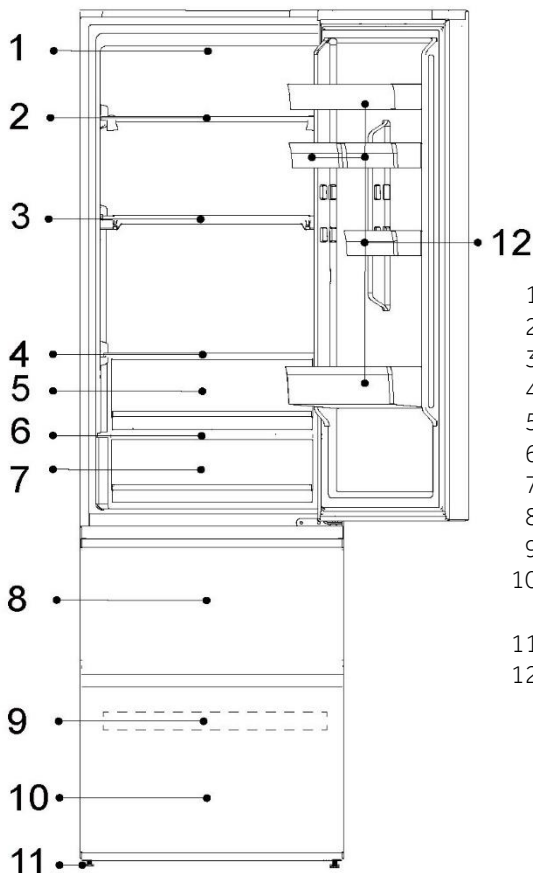


- 1-LED žiarovka chladničky
- 2-Stojan na víno
- 3-Sklopná polica
- 4-Kryt zásuvky Humidity Zone
- 5-Zásuvka Humidity Zone
- 6-Kryt zásuvky My Zone
- 7-Zásuvka My Zone
- 8-Horná úložná zásuvka mrazničky
- 9-Zásobník mrazničky
- 10-Spodná úložná zásuvka mrazničky
- 11-Nastavitelné nožičky
- 12-Priehradky na dverách

i POZNÁMKA

Z dôvodu technických zmien a rôznych modelov sa niektoré ilustrácie v tejto príručke môžu líšiť od vášho modelu.

(HTW3620DN*)

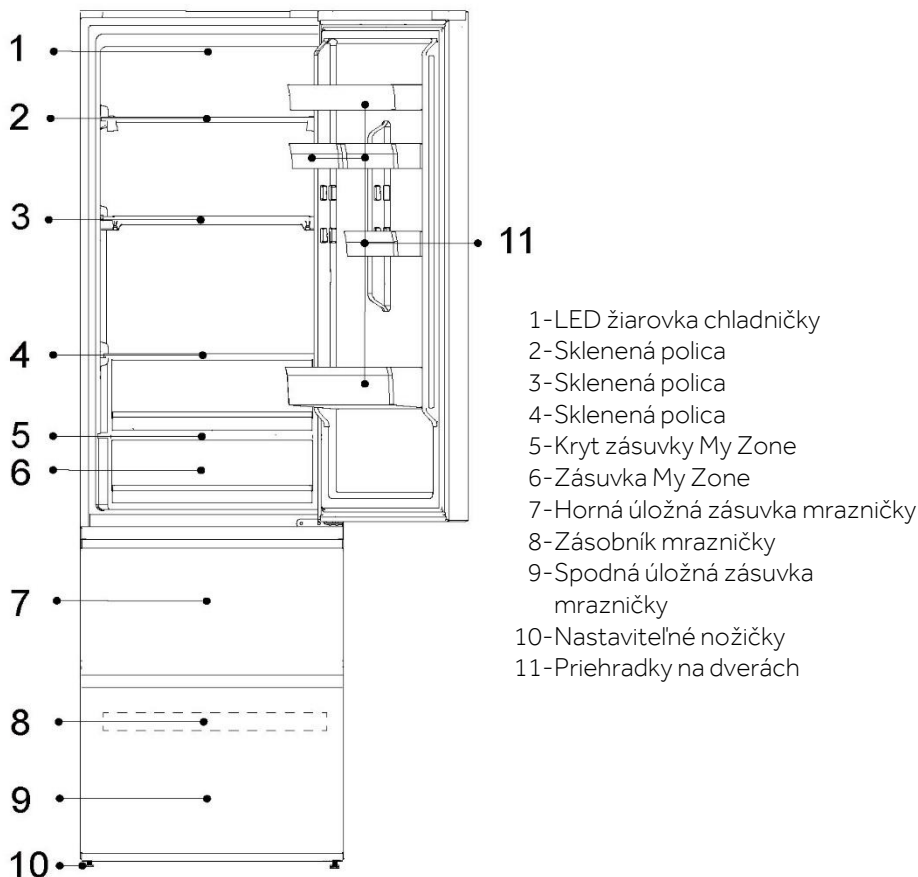


- 1-LED žiarovka chladničky
- 2-Sklenená polica
- 3-Sklenená polica
- 4-Sklenená polica
- 5-Sklenená polica
- 6-Kryt zásuvky My Zone
- 7-Zásuvka My Zone
- 8-Horná úložná zásuvka mrazničky
- 9-Zásobník mrazničky
- 10-Spodná úložná zásuvka mrazničky
- 11-Nastaviteľné nožičky
- 12-Priehradky na dverách

i POZNÁMKA

Z dôvodu technických zmien a rôznych modelov sa niektoré ilustrácie v tejto príručke môžu líšiť od vášho modelu.

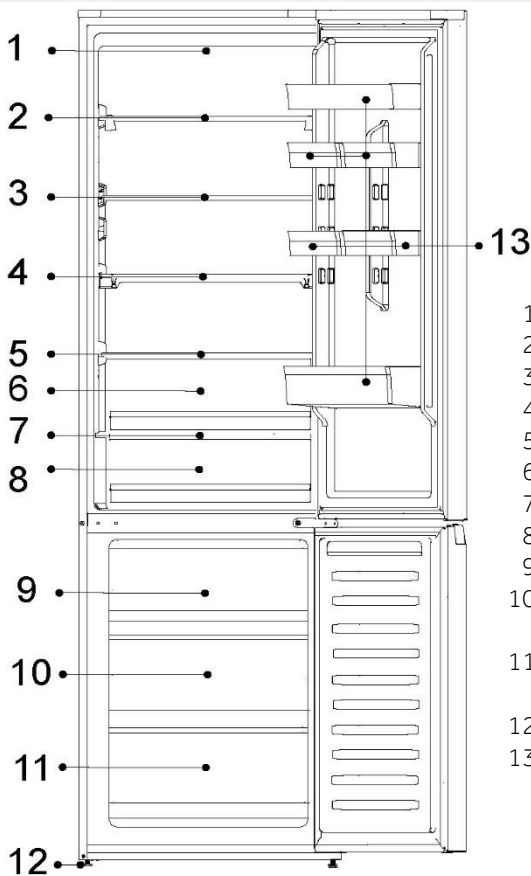
(HTW3618DN*, HTW3618CN*, HTW3618EN*)



i POZNÁMKA

Z dôvodu technických zmien a rôznych modelov sa niektoré ilustrácie v tejto príručke môžu líšiť od vášho modelu.

(HDPW5620DN*, HDPW5620CN*, HDPW5620AN*, HDPW5620BN*)

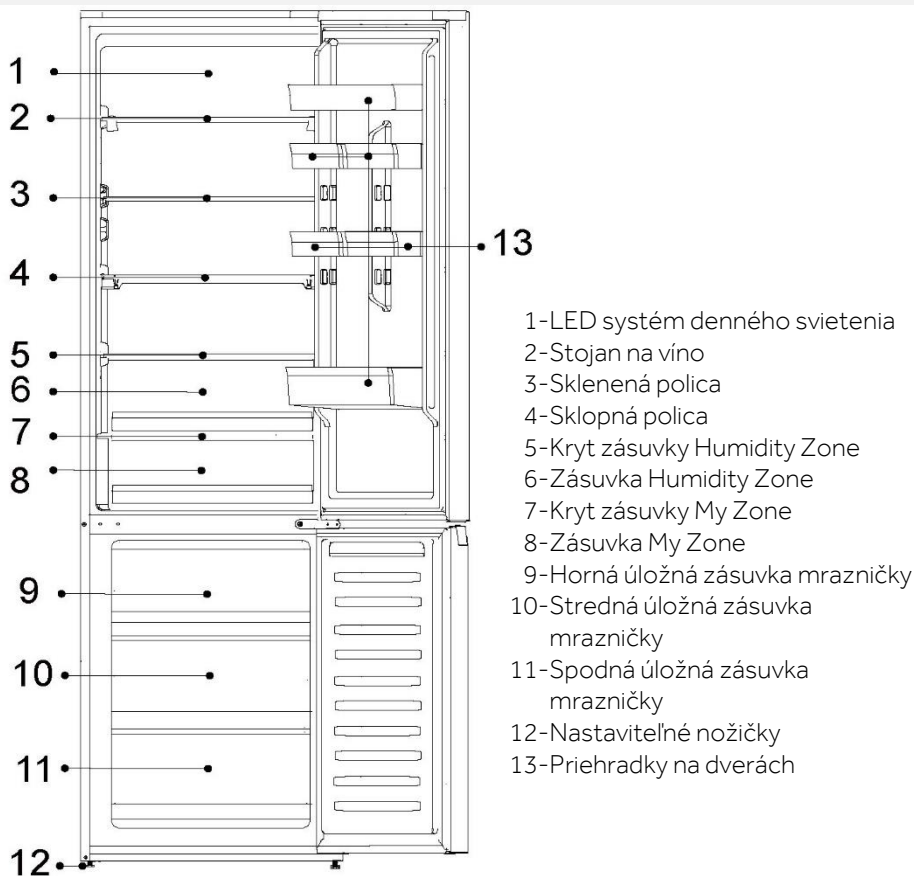


- 1-LED žiarovka chladničky
- 2-Stojan na víno
- 3-Sklenná polica
- 4-Sklopná polica
- 5-Kryt zásuvky Humidity Zone
- 6-Zásuvka Humidity Zone
- 7-Kryt zásuvky My Zone
- 8-Zásuvka My Zone
- 9-Horná úložná zásuvka mrazničky
- 10-Stredná úložná zásuvka mrazničky
- 11-Spodná úložná zásuvka mrazničky
- 12-Nastaviteľné nožičky
- 13-Priehradky na dverách

i POZNÁMKA

Z dôvodu technických zmien a rôznych modelov sa niektoré ilustrácie v tejto príručke môžu líšiť od vášho modelu.

(HDPW7620AN*, HDPW7620AAN*)

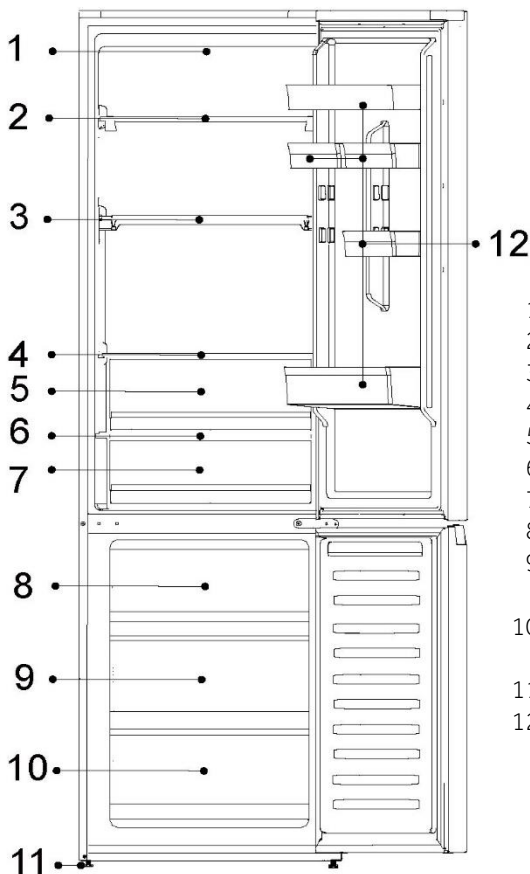


- 1-LED systém denného svietenia
- 2-Stojan na víno
- 3-Sklenená polica
- 4-Sklpná polica
- 5-Kryt zásuvky Humidity Zone
- 6-Zásuvka Humidity Zone
- 7-Kryt zásuvky My Zone
- 8-Zásuvka My Zone
- 9-Horná úložná zásuvka mrazničky
- 10-Stredná úložná zásuvka mrazničky
- 11-Spodná úložná zásuvka mrazničky
- 12-Nastavitelné nožičky
- 13-Priehradky na dverách

i POZNÁMKA

Z dôvodu technických zmien a rôznych modelov sa niektoré ilustrácie v tejto príručke môžu líšiť od vášho modelu.

(HDPW5618DN*, HDPW5618CN*)

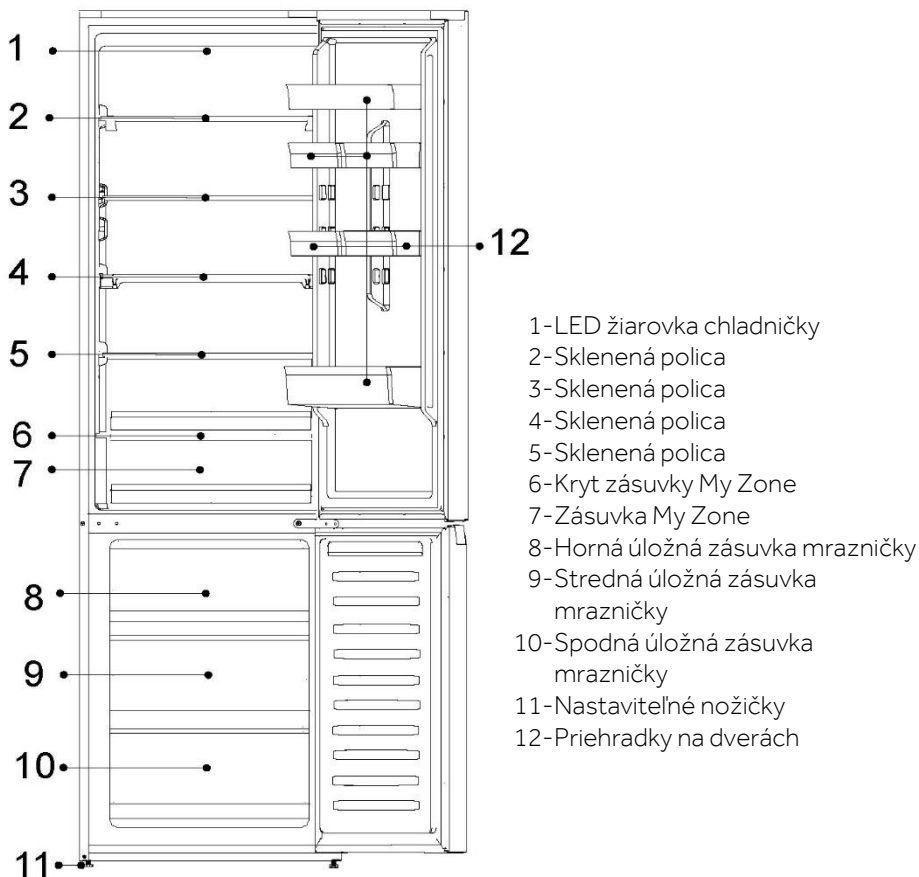


- 1-LED žiarovka chladničky
- 2-Stojan na víno
- 3-Sklopná polica
- 4-Kryt zásuvky Humidity Zone
- 5-Zásuvka Humidity Zone
- 6-Kryt zásuvky My Zone
- 7-Zásuvka My Zone
- 8-Horná úložná zásuvka mrazničky
- 9-Stredná úložná zásuvka mrazničky
- 10-Spodná úložná zásuvka mrazničky
- 11-Nastaviteľné nožičky
- 12-Priehradky na dverách

i POZNÁMKA

Z dôvodu technických zmien a rôznych modelov sa niektoré ilustrácie v tejto príručke môžu líšiť od vášho modelu.

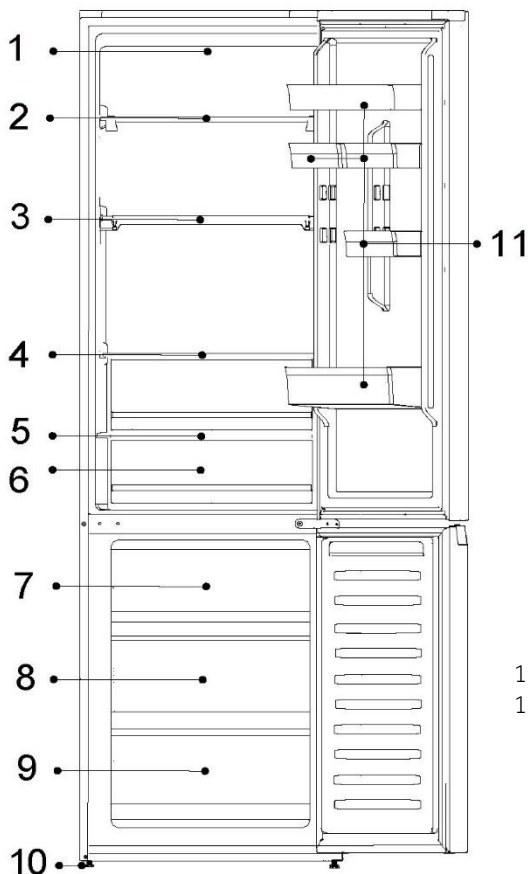
(HDPW3620DN*, HDPW3620CN*)



i POZNÁMKA

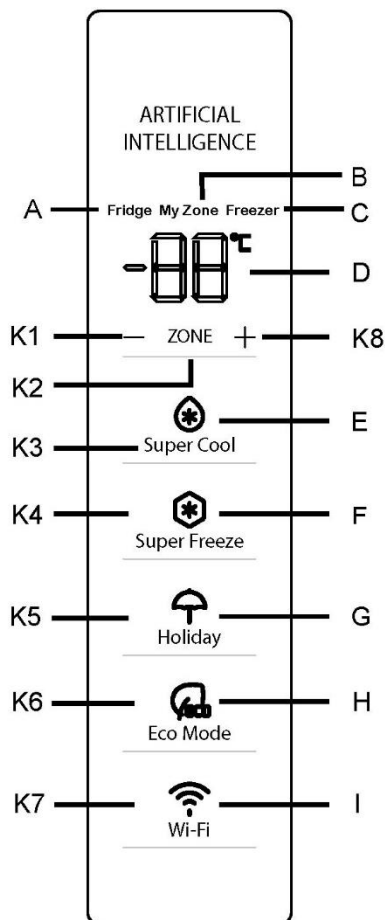
Z dôvodu technických zmien a rôznych modelov sa niektoré ilustrácie v tejto príručke môžu líšiť od vášho modelu.

(HDPW3618DN*)



- 1-LED žiarovka chladničky
- 2-Sklenená polica
- 3-Sklenená polica
- 4-Sklenená polica
- 5-Kryt zásuvky My Zone
- 6-Zásuvka My Zone
- 7-Horná úložná zásuvka mrazničky
- 8-Stredná úložná zásuvka mrazničky
- 9-Spodná úložná zásuvka mrazničky
- 10-Nastaviteľné nožičky
- 11-Priehradky na dverách

Ovládací panel



Indikátory:

- A Chladiaci priestor
- B Chladiaci priestor (My Zone)
- C Mraziaci priestor
- D Displej teploty
- E Funkcia Super Cool
- F Funkcia Super Freeze
- G Funkcia Holiday
- H Funkcia Eco Mode I Funkcia Wi-Fi

Tlačidlá:

- K1 Zníženie teploty
- K2 Výber Fridge, My Zone a Freezer
- K3 Funkcia Super Cool zapnutá/vypnutá
- K4 Funkcia Super Freeze zapnutá/vypnutá
- K5 Zapnutie/Vypnutie funkcie Holiday
- K6 Zapnutie/Vypnutie funkcie režimu Eco
- K7 Zapnutie/Vypnutie funkcie Wi-Fi
- K8 Zvýšenie teploty

Pred prvým použitím

Odstráňte všetky obalové materiály a odložte ich mimo dosahu detí. Zlikvidujte ich za dodržania predpisov na ochranu životného prostredia.

Vyčistite vnútornú a vonkajšiu časť spotrebiča, ako aj interiér a príslušenstvo vodou a jemným čistiacim prostriedkom a dobre ich osušte mäkkou handričkou.

Po vyrovnaní a vyčistení spotrebiča počkajte pred pripojením k elektrickej sieti minimálne 2 hodiny. Pozrite časť INŠTALÁCIA.

Pred vložením potravín nechajte priehradky vychladiť nastavením na nízku teplotu. Funkcia Super Freeze pomáha rýchlo ochladiť mraziaci priestor.

Tlačidlá snímača

Tlačidlá na ovládacom paneli sú dotykové tlačidlá, ktoré reagujú na ľahký dotyk prsta.

Zapnutie a vypnutie spotrebiča

Spotrebič sa zapne ihneď po pripojení k zdroju elektrického napájania.

Pri prvom zapnutí spotrebiča ukazovatele teploty „D“ zobrazujú prednastavené hodnoty (pozri nižšie uvedené upozornenie).

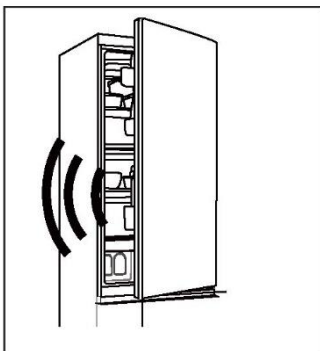
POZNÁMKA

Spotrebič je prednastavený na odporúčanú teplotu 5 °C (chladnička) a -18 °C (mraznička). Teplota priestoru My Zone je prednastavená na približne 2 °C. Sú to odporúčané nastavenia. Ak je to potrebné, tieto teploty môžete manuálne zmeniť.

Alarm otvorenia dverí

Keď sú dvere chladničky otvorené dlhšie než 3 minúty, zaznie alarm otvorenia dverí.

Alarm je možné zrušiť zatvorením dverí. Ak sú dvierka otvorené dlhšie ako 7 minút, svetlo vo vnútri chladničky a osvetlenie ovládacieho panela sa automaticky vypne.



Nastavenie teploty

Teploty vo vnútri spotrebiča sú ovplyvnené nasledujúcimi faktormi:

- ▶ Teplota prostredia
- ▶ Frekvencia otvárania dverí
- ▶ Množstvo uskladnených potravín
- ▶ Inštalácia spotrebiča



Úprava teploty chladničky

1. Stlačením tlačidla „K2” (možnosti výberu Fridge/(My Zone)/Freezer) vyberte priestor Chladnička. Ikona „A” (chladiaci priestor) a „D” (zobrazenie teploty) sú rozsvietené.

2. Stlačením tlačidla „K1/K8” nastavíte teplotu v chladničke.

Teplota sa zvyšuje po krokoch 1 °C z minima 2 °C na maximum 8 °C. Optimálna teplota v chladničke je 5 °C. Teplota chladiča znamená zbytočnú spotrebu energie.

3. Po približne 5 s ostane ikona teploty „D” (zobrazenie teploty) svietiť nepretržite a nastavenie sa potvrdí.

Úprava teploty mrazničky

1. Stlačením tlačidla „K2” (možnosti výberu Fridge/(My Zone)/Freezer) vyberte °C pre mraziaci priestor. Ikona „C” (mraziaci priestor) a „D” (zobrazenie teploty) svietia.

2. Stlačením tlačidla „K1/K8” nastavte teplotu mrazničky.

Teplota sa zvyšuje po krokoch 1 °C z minima -24 °C na maximum -16 °C. Optimálna teplota v chladničke je -18°C. Nižšie teploty znamenajú zbytočnú spotrebu energie.

3. Po približne 5 s ostane indikátor teploty „D” (zobrazenie teploty) svietiť nepretržite a nastavenie sa potvrdí.

Úprava teploty priestoru My Zone

Chladiaci priestor je vybavený zásuvkou My Zone. V súlade s požiadavkami na skladovanie potravín je možné zvoliť najvhodnejšiu teplotu, aby sa zachovala optimálna nutričná hodnota potravín.

1. Stlačením tlačidla „K2” (možnosti výberu Fridge/(My Zone)/Freezer) vyberte priestor My Zone. Ikona „B” (priestor My Zone) a „D” (zobrazenie teploty) sú rozsvietené.

2. Stlačením tlačidla „K1/K8” nastavte teplotu pre My Zone.

Teplota sa zvyšuje po krokoch 1 °C z minima 0 °C na maximum 5 °C.

3. Po približne 5 s ostane ikona teploty „D” (zobrazenie teploty) svietiť nepretržite a nastavenie sa potvrdí.



i OZNÁMENIE

1. Teplotu priehradky My Zone môžete nastaviť na strednú úroveň (2 °C), aby sa potraviny a jedlá uchovávali v optimálnom prostredí na skladovanie.
2. Vzhľadom na rozdielny obsah vody v mäse sa niektoré druhy mäsa s vyššou vlhkosťou pri teplotách nižších ako 0 °C zmrazia, preto práve narezané mäso a mäsové nárezy treba skladovať v zásuvke My Zone s minimálnou teplotou 0 °C.
3. Ovocie citlivé na chlad, ako je ananás, avokádo, banány, grapefruit, a zelenina, ako sú zemiaky, baklažány, fazuľa, uhorky, cuketa a paradajky, ako aj syr, by sa v zásuvke My Zone nemali skladovať.
4. Ak je teplota chladničky nižšia ako teplota v My Zone, je normálne, že teplota v priehradke My Zone bude nižšia než je nastavená teplota pre My Zone.
5. Ak je teplota v miestnosti nižšia ako 8 °C, teplota zásuvky My Zone bude vždy blízko 0 °C.

i POZNÁMKA

Ak po nastavení teploty do 5 sekúnd stlačíte nejaké iné tlačidlá, aktuálne nastavenie teploty sa okamžite potvrdí. Ak do 5 sekúnd nestlačíte žiadne iné tlačidlo, zobrazí sa aktuálna nastavená teplota, kým obrazovka nezhasne.

i POZNÁMKA

Pomocou aplikácie môžete prispôsobiť teplotu chladničky, mrazničky aj My Zone. Teplota sa dá nastaviť s citlivosťou 1 °C.

Funkcia Super Cool

1. Funkciu Super Cool vám odporúčame zapnúť vtedy, keď sa chystáte uskladniť väčšie množstvo potravín (napríklad po nákupe). Funkcia Super Cool urýchľuje chladenie čerstvých potravín a chráni už uskladnené potraviny pred nežiaducim ohriatím.
2. Stlačte tlačidlo „K3“ alebo funkciu zapnite prostredníctvom aplikácie. Rozsvieti sa ikona „E“ (funkcia Super Cool) a funkcia je aktivovaná.



POZNÁMKA

1. Spotrebič ukončí funkciu „Super Cool“ po uplynutí 6 hodín od zadania funkcie „Super Cool“ alebo stlačením tlačidla „K3“, keď svieti ikona „E“ (funkcia Super Cool), alebo funkciu vypnete prostredníctvom aplikácie.
2. Ak pri úprave teploty chladiaceho priestoru v stave Super Cool bliká ikona „E“ (funkcia Super Cool), znamená to, že tento úkon sa nedá vykonať.

Funkcia Super Freeze

1. Čerstvé potraviny by sa mali zmraziť čo najrýchlejšie a až do jadra. Najlepšie sa tak zachová nutričná hodnota, vzhľad a chuť. Funkcia Super Freeze urýchľuje zmrazenie čerstvých potravín a chráni už uskladnené potraviny pred nežiaducim ohriatím. Ak potrebujete naraz zmraziť veľké množstvo potravín, odporúča sa pred použitím mrazenej miestnosti nastaviť funkciu Super Freeze na 24 hodín dopredu.
2. Stlačte tlačidlo „K4“ (nastavenie funkcie Super Freeze) alebo funkciu zapnete prostredníctvom aplikácie. Rozsvieti sa ikona „F“ (funkcia Super Freeze) a funkcia je aktivovaná.

POZNÁMKA

1. Spotrebič ukončí funkciu „Super Freeze“ po uplynutí 50 hodín od zadania funkcie „Super Freeze“ alebo stlačením tlačidla „K4“, keď svieti ikona „F“ (funkcia Super Freeze), alebo funkciu vypnete prostredníctvom aplikácie.
2. Ak pri úprave teploty chladiaceho priestoru v stave Super Freeze bliká ikona „F“ (funkcia Super Freeze), znamená to, že tento úkon sa nedá vykonať.

Funkcia Holiday

Funkciu Holiday môžete použiť na zníženie spotreby energie spotrebiča, ak ho nepoužívate pravidelne. Keď je funkcia zapnutá, chladnička je vypnutá, zatiaľ čo mraznička bude fungovať normálne. Táto funkcia natrvalo nastaví teplotu chladničky na 17 °C.

To umožňuje ponechať dvere prázdnej chladničky zatvorené bez spôsobenia zápachu alebo plesne aj počas dlhej neprítomnosti (napr. počas dovolenky). Priehradka na mrazničku je voľná pre vaše nastavenie.

1. Stlačte tlačidlo „K5“ (zapnutie/vypnutie funkcie Holiday) alebo vyberte funkciu prostredníctvom aplikácie. Rozsvieti sa ikona „G“ (funkcia Holiday) a funkcia je aktivovaná.
2. Funkciu je možné vypnúť opätovným stlačením tlačidla „K5“ (zapnutie/vypnutie funkcie Holiday) alebo nastavením teploty chladničky,

prípadne vykonaním akéhokolvek iného nastavenia alebo vypnutím prostredníctvom aplikácie.

POZNÁMKA

1. Počas funkcie Holiday by sa v chladničke nemali skladovať žiadne potraviny. Teplota 17 °C je príliš vysoká na skladovanie potravín.
2. Keď je funkcia Holiday zapnutá, ikona My Zone zostáva vypnutá a funkcia chladničky je uzamknutá. Ak pri úprave teploty chladiaceho priestoru bliká ikona „G“ (funkcia Holiday), znamená to, že tento úkon sa nedá vykonať.

Funkcia režimu Eco

Režim Eco môžete aktivovať na optimalizáciu výkonu spotrebiča pri dosiahnutí najlepšieho uskladnenia potravín. Ak nemáte žiadne špeciálne požiadavky, odporúčame použiť režim Eco.

V tomto režime je teplota chladničky 5 °C, teplota mrazničky -18 °C.

1. Stlačte tlačidlo „K6“ (zapnutie/vypnutie funkcie režim Eco) alebo vyberte funkciu prostredníctvom aplikácie.
2. Ikona „H“ (funkcia režim Eco) svieti a funkcia je aktivovaná.

Opakovaním vyššie uvedených krokov alebo výberom inej funkcie, prípadne vypnutím prostredníctvom aplikácie je možné túto funkciu znova vypnúť. Obnovia sa predtým nastavené úrovne chladenia.

POZNÁMKA

Ak pri úprave teploty chladničky/mrazničky počas režimu Eco bliká ikona „H“ (funkcia režim Eco), znamená to, že tento úkon sa nedá vykonať.

Krok 1 Z obchodu s aplikáciami si stiahnete aplikáciu hOn.

   	
<p>Krok 2 Vytvorte si účet v aplikácii hOn alebo, ak už máte účet, prihláste sa.</p> 	<p>Krok 3 Postupujte podľa pokynov o párovaní v aplikácii hOn.</p> 

Funkcia Wi-Fi

1. Postupujte podľa pokynov v aplikácii a nakonfigurujte Wi-Fi.
2. Po nakonfigurovaní Wi-Fi a vytvorení pripojenia sa ikona „I“ pre Wi-Fi zapne a zostane svietiť.
3. Ak už bola sieť Wi-Fi nakonfigurovaná, Wi-Fi sa automaticky znova pripojí podľa informácií o konfigurácii.

POZNÁMKA

1. Ak chcete Wi-Fi vypnúť, stlačte tlačidlo Wi-Fi „K7“, ikona „I“ pre Wi-Fi zhasne.
2. Ak chcete zapnúť Wi-Fi a spustiť konfiguráciu, stlačte tlačidlo Wi-Fi „K7“, ikona „I“ pre Wi-Fi začne pomaly blikať. Ak chcete nakonfigurovať funkciu Wi-Fi, stlačte tlačidlo „K7“ na 3 sekundy, ikona Wi-Fi začne blikať rýchlo a prepne sa do režimu konfigurácie. Ak chcete funkciu Wi-Fi vypnúť, raz stlačte tlačidlo „K7“.

Vyššie uvedené kroky sa opakujú.

3. Ak bol výrobok nakonfigurovaný a funkcia Wi-Fi bola vypnutá, chladnička sa po opätovnom pripojení k napájaniu neprepne do režimu konfigurácie.

POZNÁMKA

1. Tento výrobok nie je určený na komerčné použitie.
2. Maximálny RF výstupný výkon: 2,4 GHz Wi-Fi: 16 dBm;
3. Bluetooth LE: 5 dBm; Bluetooth(BR/EDR): 10 dBm.
4. Frekvenčné pásmo prevádzky: 2400 – 2483,5 MHz.



Uchovávanie v chladiacom priestore

- Teplotu v chladničke udržiajte pod 5 °C.
- Horúce jedlá musíte pred uložením do spotrebiča ochladiť na izbovú teplotu.
- Potraviny skladované v chladničke by ste mali pred uložením umyť a vysušiť.
- Potraviny, ktoré sa majú skladovať, by mali byť riadne uzavreté, aby sa zabránilo prenosu zápachu alebo chuti.
- Neskladujte nadmerné množstvo potravín. Medzi potravinami nechajte voľný priestor, aby okolo nich mohol prúdiť studený vzduch, aby sa dosiahlo lepšie a rovnomernejšie ochladenie.
- Potraviny konzumované denne by sa mali skladovať v prednej časti police.
- Medzi potravinami a vnútornými stenami nechajte dostatočne veľký voľný priestor na prúdenie vzduchu. Predovšetkým neskladujte potraviny opreté o zadnú stenu: potraviny by mohli primrznúť ku zadnej stene. Zabráňte priamemu kontaktu potravín (predovšetkým mastných alebo kyslých potravín) s vnútorným povrchom, pretože olej/kyselina môže narušiť vnútorný povrch. Zvyšky oleja/kyslé nečistoty vždy ihneď utrite.
- Mrazené potraviny sa môžu v chladiacom priestore šetrne rozmraziť. To šetrí energiu.
- Proces dozrievania ovocia a zeleniny, ako sú cukety, melóny, papája, banán, ananás atď. sa môže v chladničke urýchliť. Preto sa neodporúča skladovať ich v chladničke. Zrenie veľmi nezrelých plodov však môže byť počas určitej doby prospešné. Cibuľu, cesnak, zázvor a inú koreňovú zeleninu by ste tiež mali skladovať pri izbovej teplote.
- Neprijemný zápach vo vnútri chladničky je znakom toho, že sa niečo rozlialo a treba priestor vyčistiť. Pozrite Starostlivosť a čistenie.
- Rôzne potraviny je potrebné umiestniť do rôznych oblastí podľa ich vlastností.

Skladovanie v mraziacom priestore

- Teplotu v mrazničke udržiajte na -18 °C.
- 24 hodín pred mrazením zapnite funkciu Super-Freeze. Pre malé množstvá potravín stačí 4-6 hodín.
- Horúce jedlá musíte pred uložením do mraziaceho boxu ochladiť na izbovú teplotu.



- Potraviny nakrájané na malé porcie sa zmrazia rýchlejšie a ľahšie sa rozmrazia a uvaria. Odporúčaná hmotnosť pre každú porciu je menej ako 2,5 kg
- Pred vložením do mrazničky je lepšie potraviny zabaliť. Vonkajšia strana obalu musí byť suchá, aby sa zabránilo zlepeniu vreciek. Obalové materiály by mali byť bez zápachu, vzduchotesné, nejedovaté a netoxické.
- Aby sa predišlo uplynutiu doby skladovania, všimnite si dátum zmrzenia, trvanlivosť a názov potraviny na obale a podľa toho skladujte rôzne potraviny.



VAROVANIE!

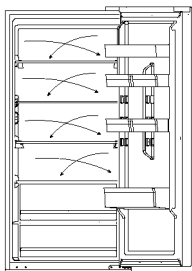
- ▶ Kyselina, zásady a soľ atď. by mohli narušiť vnútorný povrch mrazničky.
- ▶ Nekladte potraviny s týmito látkami (napr. morské ryby) priamo na vnútorný povrch. Slanú vodu je treba z mrazničky okamžite utrieť.
- ▶ Neprekračujte dobu skladovania potravín odporúčanú výrobcami. Z mrazničky vyberte len požadované množstvo potravín.
- ▶ Rozmrazené potraviny rýchlo skonzumujte. Aby jedli ostali jedlé, rozmrazené potraviny sa nesmú opäť zmraziť, pokiaľ ich najprv neuvaríte.
- ▶ Do mraziaceho priestoru nekladajte nadmerné množstvo čerstvých potravín. Pozrite si mraziacu kapacitu mrazničky - pozrite si TECHNICKÉ ÚDAJE alebo údaje na typovom štítku.
- ▶ Potraviny je možné skladovať v mrazničke pri teplote najmenej -18°C 2 až 12 mesiacov, v závislosti od ich vlastností (napr. mäso: 3 – 12 mesiacov, zelenina: 6 – 12 mesiacov)
- ▶ Pri mrazení čerstvých potravín sa vyhýbajte ich kontaktu s už zmrazenými potravinami. Riziko rozmrazenia!

Pri skladovaní komerčne mrazených potravín dodržiavajte tieto pokyny:

- Vždy dodržiavajte pokyny výrobcov o dobe skladovania potravín. Usmernenia neporušujte!
- Snažte sa čas medzi nákupom a uložením potravín čo najviac skrátiť, aby ste zachovali kvalitu potravín.
- Kupujte mrazené potraviny, ktoré boli skladované pri teplote -18°C alebo nižšej.
- Vyhnite sa nákupu potravín, ktoré majú na obale ľad alebo námrazu – to znamená, že výrobky mohli byť čiastočne rozmrazené a opätovne zmrazené pri určitom náraste teploty, čo mohlo znížiť ich kvalitu.

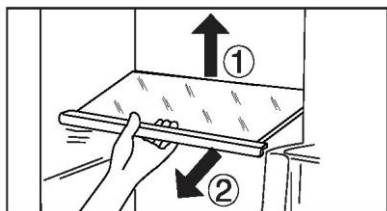
i OZNÁMENIE

Vzhľadom na ponuku rôznych modelov nemusí mať spotrebič k dispozícii všetky nasledujúce funkcie. Pozrite si kapitolu Opis produktu.



Viacnásobné prúdenie vzduchu

Chladnička je vybavená systémom s viacnásobným prúdením vzduchu, v ktorom sú prívody chladného vzduchu umiestnené na každej úrovni police. To pomáha udržiavať rovnomernú teplotu, aby sa vaše jedlo udržalo dlhšie čerstvé.



Nastaviteľná polica

1. Výška políc sa môže nastaviť tak, aby vyhovovala vašim potrebám skladovania.
2. Ak chcete policu premiestniť, najprv nadvihnite jej zadný okraj ① a potom ju vytiahnite ②.
3. Ak ju chcete znovu nainštalovať, položte ju na výstupky na oboch stranách a zatlačte do najzadnejšej polohy, kým nezapadne do drážok na bokoch

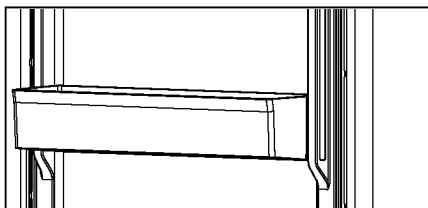
i POZNÁMKA

Uistite sa, že všetky konce police sú v jednej rovine.

Vyberateľné poličky na dverách

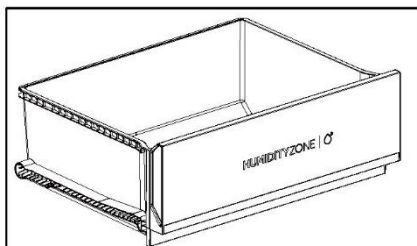
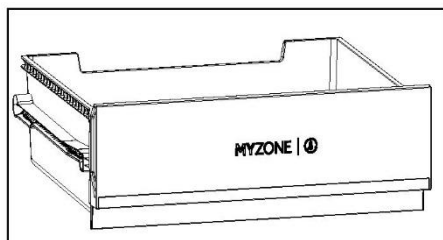
Poličky na dverách sa dajú vybrať na čistenie:

Uchopte poličku oboma rukami, nadvihnite ju (1) a vytiahnite (2). Ak chcete poličku vložiť späť do dverí, vykonajte vyššie uvedené kroky v opačnom poradí.



Zásuvka My Zone

Pri používaní a nastavovaní zásuvky My Zone skontrolujte časť POUŽITIE (My Zone).



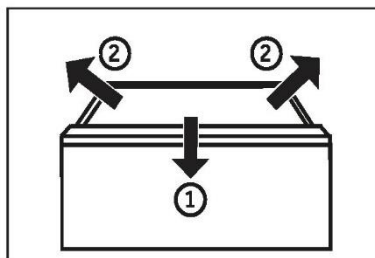
Zásuvka Humidity Zone

V tomto priestore je úroveň vlhkosti ovládaná automaticky systémom a je vhodná na skladovanie ovocia, zeleniny, šalátov atď.

Vyberateľná zásuvka

Ak chcete vybrať zásuvku chladničky alebo mrazničky, úplne ju vytiahnite (1), nadvihnite a vyberte (2).

Ak chcete poličku znovu vsunúť, vykonajte vyššie uvedené kroky v opačnom poradí.



Zásuvka mrazničky

Zásuvky mrazničky sa dajú vysunúť rovno a úplne. Sú namontované na teleskopickkej koľajničke easy roll. Umožňujú jednoduché uloženie a vyberanie zmrazených potravín. Vďaka automatickému mechanizmu zatvárania dverí je manipulácia jednoduchá a šetrí energiu.



VAROVANIE!

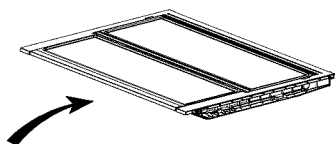
Zásuvky nezatažujte nadmerne: Maximálna nosnosť každej zásuvky: 35 kg!

Osvetlenie

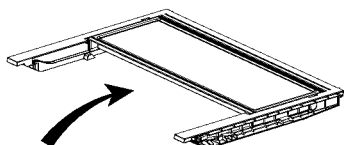
Interiérové LED osvetlenie sa rozsvieti po otvorení dverí. Výkon svetiel nie je ovplyvnený žiadnym iným nastavením spotrebiča.

Sklopná polica

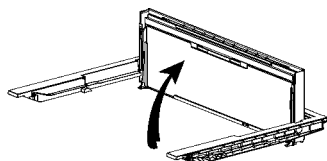
Sklopná polica umožní používateľovi umiestniť na police vysoké fľaše alebo predmety. Polica sa dá sklopiť k zadnej stene, čím sa zväčší dostupný priestor na spodnej polici. Polica sa sklopí vykonaním krokov 1 – 3. Ak ju chcete vrátiť do pôvodnej polohy, vykonajte postup v opačnom postupe.



Krok 1: Pomaly zatlačte prednú časť police až na koniec.



Krok 2: Pomaly zatlačte policu nahor do vertikálnej polohy.



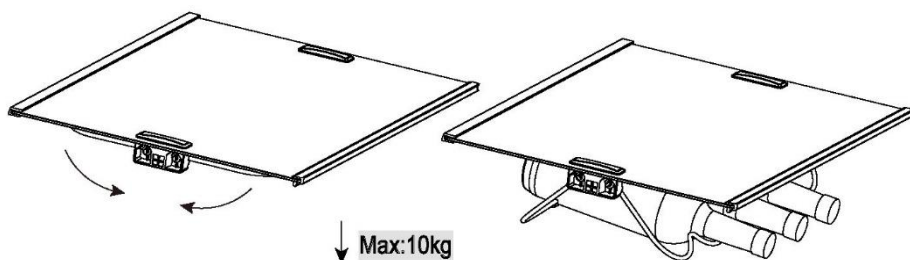
Krok 3: Polica je vo vertikálnej polohe. Ušetrí sa tým priestor.

Skladací stojan na víno

Na bežné použitie

1. Stiahnite konzoly stojana na fľaše
2. Vložte fľaše do stojana

Ak sa stojan na víno nepoužíva, možno ho sklopit' späť, aby sa ušetrilo miesto.





Tipy na úsporu energie

- ▶ Uistite sa, že je spotrebič správne vetraný (pozrite časť INŠTALÁCIA).
- ▶ Spotrebič neinštalujte na priame slnečné svetlo ani do blízkosti zdrojov tepla (napr. kachle, ohrievače).
- ▶ Zabráňte zbytočne nízkej teplote v spotrebiči. Spotreba energie sa zvyšuje so znižovaním nastavenej teploty v spotrebiči.
- ▶ Funkcie ako SUPER FREEZE zvyšujú spotrebu energie.
- ▶ Pred vložením do spotrebiča nechajte teplé jedlo vychladnúť.
- ▶ Dvere spotrebiča otvárajte čo najmenej a na čo najkratšiu dobu.
- ▶ Spotrebič nepreplňujte, aby ste nebránili prúdeniu vzduchu.
- ▶ Vyhybajte sa vzduchu v obale potravín.
- ▶ Tesnenia dverí udržiavajte čisté, aby boli dvere vždy správne zatvorené.
- ▶ Zmrazené potraviny rozmrazte v úložnom priestore chladničky alebo použite funkciu D-Frost v zásuvke My Zone.
- ▶ Konfigurácia s najvyššou úsporou energie vyžaduje, aby bola zásuvka, box na potraviny a police umiestnené v spotrebiči na mieste, v akom boli dodané z výroby a aby boli potraviny umiestnené bez blokovania výstupu vzduchu z potrubia.



VAROVANIE!

Spotrebič pred čistením odpojte od elektrickej siete.

Čistenie

Spotrebič čistite, keď je v ňom uskladnené len malé množstvo alebo žiadne potraviny. Spotrebič by ste mali čistiť každé štyri týždne, aby sa zaistila dobrá starostlivosť a zabránilo pachu z nesprávne uskladnených potravín.



VAROVANIE!

- ▶ Spotrebič nečistite tvrdými kefami, drôtenými kefami, čistiacim práškom, benzínom, amylocetátom, acetónom ani podobnými organickými roztokmi, kyselinami ani zásadami. Čistite pomocou špeciálneho čistiaceho prostriedku na chladničky, aby ste zabránili poškodeniu.
- ▶ Počas čistenia na spotrebič nestriekajte ani ho neoplachujte.
- ▶ Na čistenie spotrebiča nepoužívajte prúd vody ani paru.
- ▶ Studené sklenené poličky neumývajte horúcou vodou. Náhla zmena teploty môže spôsobiť rozbitie skla.
- ▶ Nedotýkajte sa vnútorného povrchu priestoru mrazničky, najmä nie mokrými rukami, pretože by vám mohli k povrchu primrznúť.
- ▶ Ak dôjde k zahriatiu, skontrolujte stav zmrazených potravín.



- ▶ Tesnenie na dverách musí byť vždy čisté.
- ▶ Vnútro a plášť spotrebiča čistite špongiou navlhčenou v teplej vode s prídavkom neutrálneho saponátu.
- ▶ 1. Mäkkou handričkou alebo špongiou namočenou v teplej vode utrite interiér a exteriér chladničky, vrátane tesnenia dverí, dverovej poličky, sklenených políc, boxov atď. (do teplej vody môžete pridať neutrálny čistiaci prostriedok).
- ▶ 2. Ak sa rozleje nejaká kvapalina, vyberte všetky znečistené diely, opláchnite ich prúdom vody, vysušte a vložte späť do chladničky.
- ▶ 3. Ak dôjde k rozliatiu krému (napríklad smotana, roztopená zmrzlina), odstráňte všetky znečistené časti, vložte ich na nejaký čas do teplej vody s teplotou približne 40 °C, potom ich opláchnite prúdom vody, vysušte a vložte späť do chladničky.
- ▶ 4. V prípade, že v chladničke (medzi policami alebo zásuvkami) ostane nejaká malá usadenina alebo komponent, použite na uvoľnenie mäkkú kefku. Ak sa k tejto časti nedostanete, kontaktujte servis Haier
- ▶ Opláchnite a osušte mäkkou handričkou.
- ▶ Žiadne časti spotrebiča nečistite v umývačke riadu.
- ▶ Pred opätovným zapnutím spotrebiča počkajte najmenej 5 minút, pretože časté spúšťanie môže poškodiť kompresor.



Odmrazovanie

Odmrazovanie chladničky a mrazničky sa vykonáva automaticky; nie je potrebný žiadny manuálny úkon.

Výmena LED žiaroviek



VAROVANIE!

LED žiarovku nevymieňajte sami, musí ju vymeniť iba výrobca alebo autorizovaný servisný pracovník.

Osvetlenie využíva ako zdroj svetla LED, ktoré sa vyznačujú nízkou spotrebou energie a dlhou životnosťou. Ak sa vyskytnú nejaké abnormality, kontaktujte zákaznícky servis. Pozrite časť ZÁKAZNÍCKY SERVIS.

Parametre žiarovky:

Časť	LED žiarovka
Napätie	12 V
Maximálny výkon	1,5 W
LED Spec	White-2835
Trieda účinnosti LED	G
Teplota pri používaní	-40 ~ 80 °C

HDPW7620*, HTW7620*

Časť	LED žiarovka
Napätie	12 V
Maximálny výkon	8 W
LED Spec	White-4014
Trieda účinnosti LED	G
Teplota pri používaní	-30~60°C

Dlhodobé vyradenie z prevádzky

Ak nebudete spotrebič dlhšiu dobu používať a pre chladničku nepoužijete funkciu Holiday:

Vyberte potraviny.

Odpojte napájací kábel.

Spotrebič vyčistite podľa vyššie uvedeného návodu.

Dvere nechajte otvorené, aby sa vo vnútri nevytvárali nepríjemné pachy.



POZNÁMKA

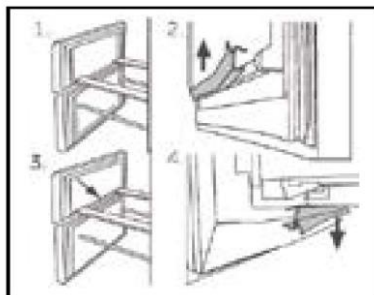
Spotrebič vypnite, len ak je to nevyhnutne potrebné.

Odnímateľné prídavné tesnenia dverí

Na hornej a dolnej zásuvke mrazničky je šesť pomocných tesnení dverí.

1. Na hornej a dolnej zásuvke mrazničky vyhľadajte šesť pomocných tesnení dverí.
2. Pri pripájaní sa uistite, že ohnuté rezy tesnení smerujú dovnútra.
3. Umiestnite spodné tesnenie hornej zásuvky podľa pokynov.
4. Pri pripájaní sa uistite, že ohnutý rez tohto tesnenia smeruje nadol.

Tieto tesnenia, ako aj tesnenia otočných dverí/zásuvky získate prostredníctvom zákazníckeho servisu (pozri záručný list).



Premiestňovanie spotrebiča

1. Vyberte všetky potraviny a odpojte spotrebič od elektrickej siete.
2. Police a ďalšie vyberateľné diely chladničky a mrazničky zaistite lepiacou páskou.
3. Chladničku nenakláňajte o viac ako 45°, aby nedošlo k poškodeniu chladiaceho systému.



VAROVANIE!

- ▶ Spotrebič nezdvíhajte za rukoväti dverí.
- ▶ Spotrebič nikdy neukladajte na podlahu v horizontálnej polohe.

Mnoho vyskytujúcich sa problémov môžete vyriešiť sami bez osobitných odborných znalostí. V prípade problému skontrolujte všetky zobrazené možnosti a pred kontaktovaním zákazníckeho servisu postupujte podľa nasledujúcich pokynov. Pozrite časť ZÁKAZNÍCKY SERVIS.



VAROVANIE!

- ▶ Pred údržbou spotrebič vypnite a vytiahnite zástrčku zo zásuvky.
- ▶ Údržbu elektrického zariadenia môže vykonávať iba kvalifikovaný elektrikár, pretože neodborné opravy môžu spôsobiť značné následné škody.
- ▶ Poškodený prívod môže v záujme eliminácie akéhokolvek rizika vymeniť len výrobca, jeho servisný zástupca alebo rovnako kvalifikovaná osoba.

Tabuľka na riešenie problémov

Problém	Možná príčina	Možné riešenie
Kompresor nefunguje.	Zástrčka nie je zapojená do zásuvky elektrickej siete.	Pripojte hlavnú zástrčku.
	Spotrebič je v cykle odmrazovania.	To je normálne pri automatickom odmrazovaní.
Spotrebič sa zapína často alebo ostáva zapnutý príliš dlho.	Príliš vysoká vnútorná alebo vonkajšia teplota.	V takom prípade je normálne, že kompresor spotrebiča ostane zapnutý dlhšie.
	Spotrebič bol dlhšie vypnutý.	Zvyčajne trvá 8 až 12 hodín, kým spotrebič úplne ochladne.
	Netesne zatvorené dvere/zásuvka spotrebiča.	Zatvorte dvere/zásuvku a uistite sa, že je spotrebič umiestnený na rovnom povrchu a že sa v ňom nenachádzajú potraviny alebo nádoba, ktoré by blokovali dvere.
	Dvere/zásuvka boli otvorené príliš často alebo príliš dlho.	Neotvárajte dvere/zásuvku príliš často.
	Nastavenie teploty mraziacej časti je príliš nízke.	Nastavujte vyššiu teplotu, kým nedosiahnete uspokojivú teplotu chladničky. Ustálenie teploty chladničky trvá 24 hodín.
	Tesnenie dverí/zásuvky je znečistené, opotrebované, prasknuté alebo nevhodné.	Vyčistite tesnenie dverí/zásuvky alebo ich dajte vymeniť v servise zákazníka.
	Nie je zabezpečené požadované prúdenie vzduchu.	Zaistite dostatočnú ventiláciu.



Problém	Možná príčina	Možné riešenie
Vnútro chladničky je špinavé a/alebo zápacha.	Vnútro chladničky treba vyčistiť.	Vyčistite vnútro chladničky.
	V chladničke sú uložené potraviny so silnou arómou.	Potraviny dôkladne zabaľte.
V spotrebiči nie je dostatočne nízka teplota.	Nastavená teplota je príliš vysoká.	Resetujte teplotu
	Do spotrebiča boli vložené príliš teplé potraviny.	Pred uložením potraviny vždy ochladte.
	Vložili ste príliš veľa potravín naraz.	Vždy vkladajte malé množstvo potravín.
	Potraviny sú príliš blízko seba.	Medzi potravinami nechávajte medzeru, aby mohol vzduch voľne prúdiť.
	Netesne zatvorené dvere/zásuvka spotrebiča.	Zatvorte dvere/zásuvku.
	Dvere/zásuvka boli otvorené príliš často alebo príliš dlho.	Neotvárajte dvere/zásuvku príliš často.
V spotrebiči je príliš nízka teplota.	Nastavená teplota je príliš nízka.	Resetujte teplotu.
	Funkcia Super Freeze je aktivovaná alebo je zapnutá príliš dlho.	Funkciu Super Freeze vypnite.
Vytváranie kondenzátu na vnútornej strane chladiaceho priestoru.	Ovzdušie je príliš teplé a príliš vlhké.	Zvýšte teplotu.
	Netesne zatvorené dvere/zásuvka spotrebiča.	Zatvorte dvere/zásuvku.
	Dvere/zásuvka boli otvorené príliš často alebo príliš dlho.	Neotvárajte dvere/zásuvku príliš často.
	Otvorené nádoby na potraviny alebo kvapaliny.	Horúce jedlá nechajte vychladnúť na izbovú teplotu a jedlá a kvapaliny zakryte.
Hromadenie vlhkosti na vonkajšom povrchu chladničky alebo medzi dverami/dverami a zásuvkou.	Ovzdušie je príliš teplé a príliš vlhké.	Vo vlhkom podnebí je to normálne a zmení sa to po poklese vlhkosti.
	Dvere/zásuvka nie sú tesne zatvorené.	Dbajte na to, aby boli dvere/zásuvka tesne zatvorené.
Ikony na displeji striedavo blikajú a chladiaci systém nefunguje.	Je v režime ukážky	Chladnička je zapojená do elektrickej siete Stlačte a podržte tlačidlo „ZONE“ a päťkrát kliknite na tlačidlo „Eco Mode“, potom ikony postupne prestanú blikáť.



Problém	Možná príčina	Možné riešenie
V mrazničke je silná vrstva ľadu a námrazy.	Potraviny neboli dostatočne zabalené.	Potraviny vždy dobre zabalte.
	Netesne zatvorené dvere/zásuvka spotrebiča.	Zatvorte dvere/zásuvku.
	Dvere/zásuvka boli otvorené príliš často alebo príliš dlho.	Neotvárajte dvere/zásuvku príliš často.
	Tesnenie dveri/zásuvky je znečistené, opotrebované, prasknuté alebo nevhodné.	Vyčistite tesnenie dveri/zásuvky alebo ich vymeňte za nové.
Spotrebič vydáva neobvyklé zvuky.	Niečo na vnútornej strane bráni správne zatvoreniu dvierok/zásuvky.	Premiestnite police, priehradky na dverách alebo vnútorné zásobníky tak, aby sa dali dvere/zásuvka zatvoriť.
	Spotrebič nie je umiestnený na rovnom povrchu.	Nastavte nožičky a vyrovajte spotrebič do vodorovnej polohy.
Počut tichý zvuk podobný tečúcej vode.	Spotrebič sa dotýka nejakého predmetu v jeho okolí.	Odstráňte predmety v okolí spotrebiča.
Počut tichý zvuk podobný tečúcej vode.	Je to normálne.	/
Budete počut pípnutie alarmu.	Dvere chladničky ostali otvorené.	Zatvorte dvere alebo alarm vypnite manuálne.
Budete sa blížiť k slabému hučaniu.	Funguje systém proti kondenzácii.	To zabraňuje kondenzácii a je to normálne.
Nefunguje osvetlenie interiéru alebo chladiaci systém.	Zástrčka nie je zapojená do zásuvky elektrickej siete	Pripojte hlavnú zástrčku.
	Porucha zdroja napájania.	Kontrolujte elektrické napájanie v miestnosti. Kontaktujte miestnu elektrárenskú spoločnosť!
	LED žiarovka nie je v poriadku.	Kontaktujte servis kvôli výmene žiarovky.
Boky skrinky a lišty dveri sa zahrievajú.	Je to normálne.	/
Z výtoku dávkovača vody nevyteká žiadna voda	Zámka nie je vypnutá.	Vypnite zámku



Prerušenie elektrického napájania

- ▶ V prípade výpadku elektrického prúdu by mali potraviny zostať bezpečne vychladené približne 13 hodín. V prípade dlhšieho výpadku elektrického napájania, najmä v lete, postupujte podľa nasledujúcich pokynov.
- ▶ Dvere/zásuvku otvárajte čo najmenej.
- ▶ Počas prerušenia napájania nekladajte do spotrebiča ďalšie potraviny.
- ▶ Ak vám výpadok prúdu oznámia vopred, a predpokladaná doba výpadku presahuje 13 hodín, pripravte kocky ľadu a vložte ich do zásobníka v hornej časti chladničky.
- ▶ Ihneď po prerušení musíte potraviny skontrolovať.
- ▶ V dôsledku zvýšenia teploty v chladničke počas výpadku elektrického prúdu alebo inej poruchy dôjde k skráteniu trvanlivosti potravín a tiež sa zníži ich kvalita. Potraviny, ktoré sa rozmrazili, by ste mali buď rýchlo skonzumovať alebo uvariť a znovu zmraziť (ak je to vhodné), aby sa predišlo zdravotným rizikám.

POZNÁMKA

Funkcia pamäte pri prerušení napájania

Po obnovení napájania sa obnovia nastavenia spotrebiča, ktoré boli nastavené pred výpadkom elektrického napájania.

Ak chcete kontaktovať technický servis, navštívte našu webovú stránku:

<https://corporate.haier-europe.com/en/>

V sekcii „webová stránka“ vyberte značku svojho produktu a svoju krajinu.

Stránka vás presmeruje na konkrétnu webovú stránku, kde nájdete telefónne číslo a formulár na kontaktovanie technického servisu.

Vybalenie



VAROVANIE!

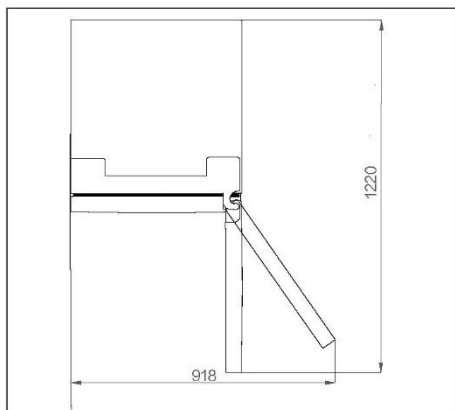
- ▶ Spotrebič je ťažký. Musia s ním vždy manipulovať dve osoby.
- ▶ Všetky obalové materiály udržiajte mimo dosahu detí a zlikvidujte ich spôsobom, ktorý je šetrný k životnému prostrediu.
- ▶ Vyberte spotrebič z obalu.
- ▶ Odstráňte všetok obalový materiál.

Podmienky prostredia

Teplota v miestnosti musí byť vždy v rozsahu 10 °C až 43 °C, pretože môže mať vplyv na teplotu vnútri spotrebiča a na jeho spotrebu energie. Spotrebič neinštalujte v blízkosti iných spotrebičov vyžarujúcich teplo (rúry, chladničky) bez izolácie.

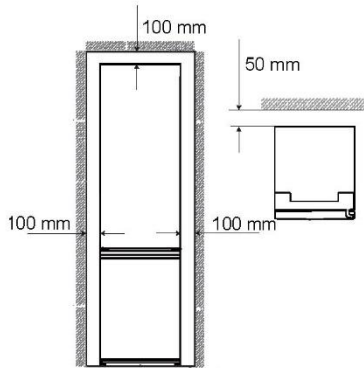
Požiadavky na priestor

Požadovaný priestor pri otvorení dverí.



Požiadavky na ventiláciu

Na dosiahnutie dostatočnej ventilácie spotrebiča z bezpečnostných dôvodov je potrebné dodržiavať požiadavky pre správne vetranie.

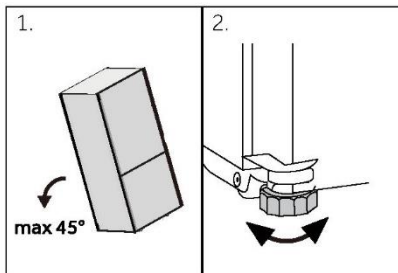


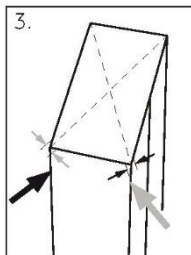
Zarovnanie spotrebiča

Zariadenie musí byť umiestnené na rovnom a pevnom povrchu.

1. Nakloňte chladničku mierne dozadu.
2. Nastavte nožičky na požadovanú úroveň.

Uistite sa, že vzdialenosť od steny na strane závesu je aspoň 100 mm, aby sa dali dvere správne otvoriť.

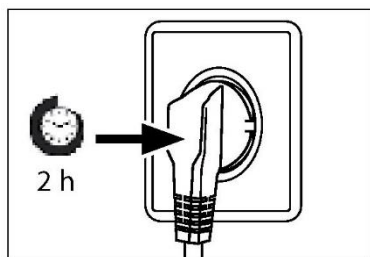




1. Stabilitu môžete skontrolovať striedavým potlačením v smere uhlopriečky. Spotrebič sa môže mierne vykloniť v oboch smeroch. V opačnom prípade môže dôjsť k zdeformovaniu rámu, výsledkom čoho môže byť aj nedostatočné tesnenie dverí. Mierne naklonenia dozadu uľahčuje zatváranie dverí.

i POZNÁMKA

Pre samostatne stojaci spotrebič: tento chladiaci spotrebič nie je určený na použitie ako zabudovaný spotrebič.



Doba čakania

V puzdre kompresora sa nachádza bezúdržbový mazací olej. Pri nakláňaní spotrebiča počas prevozu sa tento olej môže dostať cez uzatvorený systém rúrok. Pred pripojením spotrebiča ku zdroju napájania musíte počkať aspoň 2 hodiny, aby olej stiekol späť do puzdra.

Elektrické zapojenie

Pred každým pripojením skontrolujte, či:

- ▶ napájanie, zásuvka a istenie zodpovedajú typovému štítku.
- ▶ je sieťová zásuvka uzemnená a nie je pripojený žiadny adaptér s viacerými zásuvkami ani predlžovací kábel.
- ▶ sa zástrčka a zásuvka presne zhodujú.

Zástrčku pripojte k správne nainštalovanej domácej zásuvke.



VAROVANIE!

Poškodený napájací kábel musia vymeniť v zákaznickom servise, aby sa zabránilo nebezpečenstvu (pozrite záručný list).

Zmena smeru otvárania dverí

Pred pripojením spotrebiča ku zdroju napájania musíte skontrolovať, či netreba zmeniť smer otvárania dverí z pravej strany (pri dodaní) na ľavú, pokiaľ to vyžaduje miesto inštalácie a pohodlie pri otváraní.



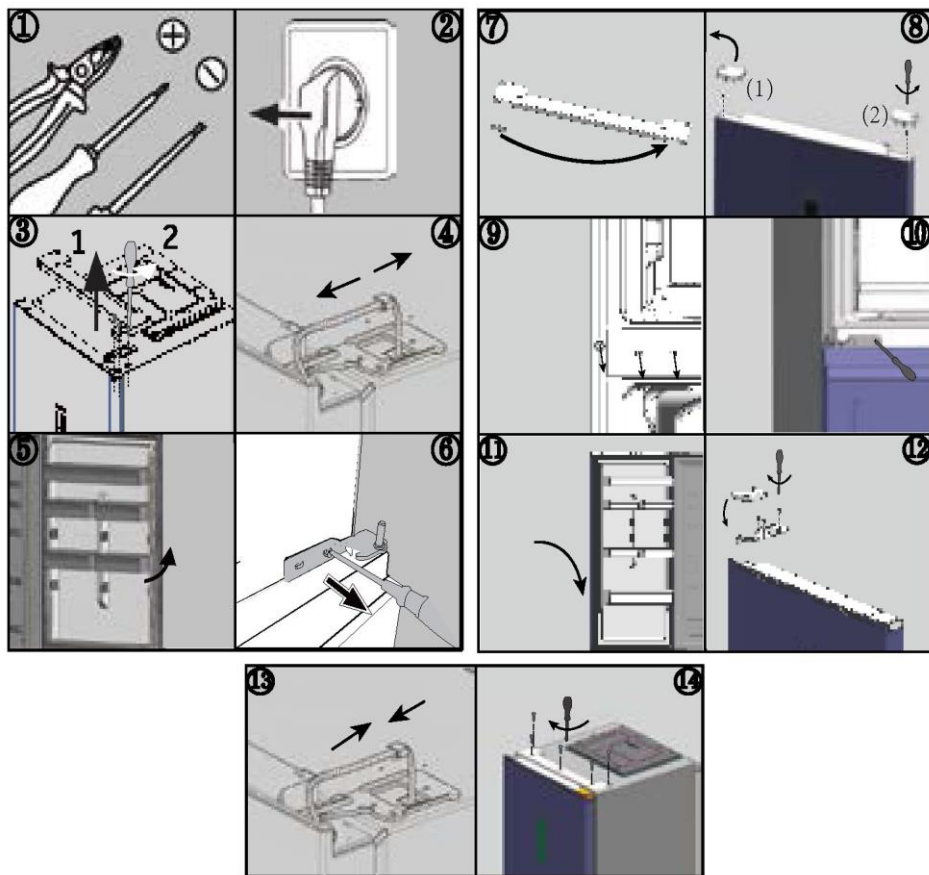
VAROVANIE!

- ▶ Spotrebič je ťažký. Zmenu smeru zatvárania dverí musia vykonávať dve osoby.
- ▶ Pred akýmkoľvek úkonom najskôr odpojte spotrebič od elektrickej siete
- ▶ Spotrebič nenakláňajte o viac ako 45 °C, aby ste predišli poškodeniu chladiaceho systému.

Montážne kroky

1. Zabezpečte si potrebné náradie.
2. Spotrebič odpojte od elektrického napájania.
3. Odstráňte kryt horného závesu 1 a odskrutkujte horný záves (tri skrutky) na pravej strane 2.
4. Odpojte pripojovací kábel
5. Uvoľnené dvere chladničky opatrne zdvihnite zo stredného závesu.
6. Odstráňte stredný záves.
7. Odstráňte malý kryt predného panelu zľava doprava.
8. Obráťte dvere zhora nadol a odskrutkujte kryt (1). Vyberte nový kryt (2) z príslušného vrečka a naskrutkujte na opačnú stranu.
9. Zmeňte polohy záslepiek a skrutky na boku.
10. Naskrutkujte stredný záves na ľavú stranu spotrebiča. Dávajte pozor na prevrátenie otočného čapu stredného závesu a uistite sa, že strana s tesnením smeruje nahor
11. Opatrne zdvihnite horné dvere na stredný záves. Uistite sa, že otočný čap zapadá do náboja závesu spodných dverí.
12. Z vrečka s príslušenstvom vyberte nový horný záves a kryt závesu. Prepojovací kábel prevlečte cez horný záves a upevnite horný záves tromi skrutkami na ľavej strane spotrebiča. Nasadte kryt závesu na záves.
13. Pripojte pripojovací kábel.
14. Vymeňte predný panel a upevnite ho piatimi skrutkami.

Po zmene dverí skontrolujte, či sú tesnenia dverí správne umiestnené na kryte a či sú všetky skrutky dobre utiahnuté.



Teplota okolitého prostredia

Rozšírené mierne pásmo: tento chladiaci spotrebič je určený na použitie pri teplotách okolia od 10 °C do 32 °C

Mierne pásmo: tento chladiaci spotrebič je určený na použitie pri teplotách okolia od 16 °C do 32 °C;

Subtropické pásmo: tento chladiaci spotrebič je určený na použitie pri teplotách okolia od 16 °C do 38 °C;

Tropické pásmo: tento chladiaci spotrebič je určený na použitie pri teplotách okolia od 16 °C do 43 °C.

**Parametre výrobku podľa nariadenia (EÚ) 2019/2016**

Na základe výsledkov štandardného testovania po dobu 24 hodín.

Skutočná spotreba energie bude závisieť od používania a umiestnenia spotrebiča.

Model	HTW5618DN*	HTW5620DN*	HTW5618EN*
Typ chladiaceho spotrebiča	Chladnička s mrazničkou	Chladnička s mrazničkou	Chladnička s mrazničkou
Trieda energetickej účinnosti	D	D	E
Ročná spotreba energie (kWh/rok)	217	226	271
Objem chladiaceho priestoru (l)	201	255	201
Objem mraziaceho priestoru (l)	125	125	125
Objem chladiaceho priestoru Chill (l)	34	34	34
Trieda mrazenia	4-hviezdičky	4-hviezdičky	4-hviezdičky
Typ odmrazovania	Automatické rozmrazovanie	Automatické rozmrazovanie	Automatické rozmrazovanie
Doba nábehu teploty (h)	13	13	11
Kapacita zmrazovania (kg/24 h)	10,0	10,0	10,0
Klimatická trieda	SN.N.ST.T	SN.N.ST.T	SN.N.ST.T
Trieda emisie hluku a emisie hluku prenášané vzduchom (dB(A) re 1pW)	B(35)	B(35)	B(35)



Model	HTW5618CN*	HTW5620CN*	HTW5620EN*
Typ chladiaceho spotrebiča	Chladnička s mrazničkou	Chladnička s mrazničkou	Chladnička s mrazničkou
Trieda energetickej účinnosti	C	C	E
Ročná spotreba energie (kWh/rok)	173	181	283
Objem chladiaceho priestoru (l)	201	255	255
Objem mraziaceho priestoru (l)	125	125	125
Objem chladiaceho priestoru Chill (l)	34	34	34
Trieda mrazenia	4-hviezdičky	4-hviezdičky	4-hviezdičky
Typ odmrazovania	Automatické rozmrazovanie	Automatické rozmrazovanie	Automatické rozmrazovanie
Doba nábehu teploty (h)	13	13	11
Kapacita zmrazovania (kg/24 h)	10,0	10,0	10,0
Klimatická trieda	SN.N.ST.T	SN.N.ST.T	SN.N.ST.T
Trieda emisie hluku a emisie hluku prenášané vzduchom (dB(A) re 1pW)	B(35)	B(35)	B(35)



Model	HDPW5618DN*	HDPW5620DN* HDPW3620DN*	HTW7620CN*
Typ chladiaceho spotrebiča	Chladnička s mrazničkou	Chladnička s mrazničkou	Chladnička s mrazničkou
Trieda energetickej účinnosti	D	D	C
Ročná spotreba energie (kWh/rok)	214	220	181
Objem chladiaceho priestoru (l)	201	255	255
Objem mraziaceho priestoru (l)	117	117	125
Objem chladiaceho priestoru Chill (l)	34	34	34
Trieda mrazenia	4-hviezdičky	4-hviezdičky	4-hviezdičky
Typ odmrazovania	Automatické rozmrazovanie	Automatické rozmrazovanie	Automatické rozmrazovanie
Doba nábehu teploty (h)	13	13	13
Kapacita zmrazovania (kg/24 h)	10,0	10,0	10,0
Klimatická trieda	SN.N.ST.T	SN.N.ST.T	SN.N.ST.T
Trieda emisie hluku a emisie hluku prenášané vzduchom (dB(A) re 1pW)	B(35)	B(35)	B(35)



Model	HDPW3618DN*	HDPW3620CN*	HTW3620DN*
Typ chladiaceho spotrebiča	Chladnička s mrazničkou	Chladnička s mrazničkou	Chladnička s mrazničkou
Trieda energetickej účinnosti	D	C	D
Ročná spotreba energie (kWh/rok)	214	176	226
Objem chladiaceho priestoru (l)	201	255	255
Objem mraziaceho priestoru (l)	117	117	125
Objem chladiaceho priestoru Chill (l)	34	34	34
Trieda mrazenia	4-hviezdičky	4-hviezdičky	4-hviezdičky
Typ odmrazovania	Automatické rozmrazovanie	Automatické rozmrazovanie	Automatické rozmrazovanie
Doba nábehu teploty (h)	13	13	13
Kapacita zmrazovania (kg/24 h)	10,0	10,0	10,0
Klimatická trieda	SN.N.ST.T	SN.N.ST.T	SN.N.ST.T
Trieda emisie hluku a emisie hluku prenášané vzduchom (dB(A) re 1pW)	B(35)	B(35)	B(35)



Model	HDPW5618CN*	HDPW5620CN*	HDPW5620AN* HDPW7620AN*
Typ chladiaceho spotrebiča	Chladnička s mrazničkou	Chladnička s mrazničkou	Chladnička s mrazničkou
Trieda energetickej účinnosti	C	C	A
Ročná spotreba energie (kWh/rok)	171	176	114
Objem chladiaceho priestoru (l)	201	255	255
Objem mraziaceho priestoru (l)	117	117	120
Objem chladiaceho priestoru Chill (l)	34	34	34
Trieda mrazenia	4-hviezdičky	4-hviezdičky	4-hviezdičky
Typ odmrazovania	Automatické rozmrazovanie	Automatické rozmrazovanie	Automatické rozmrazovanie
Doba nábehu teploty (h)	13	13	16
Kapacita zmrazovania (kg/24 h)	10,0	10,0	10,0
Klimatická trieda	SN.N.ST.T	SN.N.ST.T	SN.N.ST.T
Trieda emisie hluku a emisie hluku prenášané vzduchom (dB(A) re 1pW)	B(35)	B(35)	B(35)



Model	HDPW5620BN*	HTW7620DN*	HDPW7620AAN*
Typ chladiaceho spotrebiča	Chladnička s mrazničkou	Chladnička s mrazničkou	Chladnička s mrazničkou
Trieda energetickej účinnosti	B	D	A
Ročná spotreba energie (kWh/rok)	142	226	92
Objem chladiaceho priestoru (l)	255	255	255
Objem mraziaceho priestoru (l)	120	125	120
Objem chladiaceho priestoru Chill (l)	34	34	34
Trieda mrazenia	4-hviezdičky	4-hviezdičky	4-hviezdičky
Typ odmrazovania	Automatické rozmrazovanie	Automatické rozmrazovanie	Automatické rozmrazovanie
Doba nábehu teploty (h)	13	13	16
Kapacita zmrazovania (kg/24 h)	10,0	10,0	12,0
Klimatická trieda	SN.N.ST.T	SN.N.ST.T	SN.N.ST.T
Trieda emisie hluku a emisie hluku prenášané vzduchom (dB(A) re 1pW)	B(35)	B(35)	B(35)



Model	HTW5618DW*		
Typ chladiaceho spotrebiča	Chladnička s mrazničkou		
Trieda energetickej účinnosti	D		
Ročná spotreba energie (kWh/rok)	216		
Objem chladiaceho priestoru (l)	198		
Objem mraziaceho priestoru (l)	125		
Objem chladiaceho priestoru Chill (l)	34		
Trieda mrazenia	4-hviezdičky		
Typ odmrazovania	Automatické rozmrazovanie		
Doba nábehu teploty (h)	13		
Kapacita zmrazovania (kg/24 h)	10,0		
Klimatická trieda	SN.N.ST.T		
Trieda emisie hluku a emisie hluku prenášané vzduchom (dB(A) re 1pW)	B(35)		



Doplňujúce technické údaje

Model	HTW5618DN*	HTW5618EN*	HTW5620DN*
Celkový objem (l)	360	360	414
Napätie/Frekvencia	220-240V/50Hz	220-240V/50Hz	220-240V/50Hz
vstupný prúd (A)	1,4	1,4	1,4
Hlavná poistka (A)	16	16	16
Chladivo	R600a(53g)	R600a(53g)	R600a(53g)
Rozmery (Š/H/V v mm)	595*667*1850	595*667*1850	595*667*2050

Model	HTW5618CN*	HTW5620CN*	HTW5620EN*
Celkový objem (l)	360	414	414
Napätie/Frekvencia	220-240V/50Hz	220-240V/50Hz	220-240V/50Hz
vstupný prúd (A)	1,4	1,4	1,4
Hlavná poistka (A)	15	15	16
Chladivo	R600a(50 g)	R600a(50 g)	R600a(53g)
Rozmery (Š/H/V v mm)	595*667*1850	595*667*2050	595*667*2050



Model	HDPW5618DN*	HDPW5620DN*	HDPW3620DN*
Celkový objem (l)	352	406	406
Napätie/Frekvencia	220-240V/50Hz	220-240V/50Hz	220-240V/50Hz
vstupný prúd (A)	1,4	1,4	1,4
Hlavná poistka (A)	16	16	16
Chladivo	R600a(53g)	R600a(53g)	R600a(53g)
Rozmery (Š/H/V v mm)	595*667*1850	595*667*2050	595*667*2050

Model	HDPW5618CN*	HDPW5620CN*	HDPW5620AN*
Celkový objem (l)	352	406	409
Napätie/Frekvencia	220-240V/50Hz	220-240V/50Hz	220-240V/50Hz
vstupný prúd (A)	1,4	1,4	1,4
Hlavná poistka (A)	15	15	16
Chladivo	R600a(50 g)	R600a(50 g)	R600a(50 g)
Rozmery (Š/H/V v mm)	595*667*1850	595*667*2050	595*667*2050



Doplňujúce technické údaje

Model	HDPW3618DN*	HDPW3620CN*	HTW3620DN*
Celkový objem (l)	352	406	414
Napätie/Frekvencia	220-240V/50Hz	220-240V/50Hz	220-240V/50Hz
vstupný prúd (A)	1,4	1,4	1,4
Hlavná poistka (A)	16	15	16
Chladivo	R600a(53g)	R600a(50 g)	R600a(53g)
Rozmery (Š/H/V v mm)	595*667*1850	595*667*2050	595*667*2050

Model	HDPW7620AAAN*	HDPW5620BN*	HDPW7620AN*
Celkový objem (l)	409	409	409
Napätie/Frekvencia	220-240V/50Hz	220-240V/50Hz	220-240V/50Hz
vstupný prúd (A)	1,4	1,4	1,4
Hlavná poistka (A)	16	16	16
Chladivo	R600a (55 g)	R600a(50 g)	R600a(50 g)
Rozmery (Š/H/V v mm)	595*667*2050	595*667*2050	595*667*2050

**Doplňujúce technické údaje**

Model	HTW7620DN*	HTW7620CN*	HTW5618DW*
Celkový objem (l)	414	414	357
Napätie/Frekvencia	220-240V/50Hz	220-240V/50Hz	220-240V/50Hz
vstupný prúd (A)	1,4	1,4	1,4
Hlavná poistka (A)	16	15	16
Chladivo	R600a(53g)	R600a(50 g)	R600a(53g)
Rozmery (Š/H/V v mm)	595*667*2050	595*667*2050	595*667*1850



Odporúčame vám náš zákaznícky servis Haier a použitie originálnych náhradných dielov. Ak máte problém so svojim spotrebičom, najskôr si pozrite časť RIEŠENIE PROBLÉMOV.

Ak tam nenájdete riešenie, kontaktujte

- ▶ svojho miestneho predajcu alebo
- ▶ naše európske stredisko European Call Service-Center (pozri nižšie uvedené telefónne čísla) alebo
- ▶ oblasť Service & Support na stránke www.haier.com, kde môžete požiadať o servis
- ▶ a nájsť odpovede na najčastejšie otázky.

Ak chcete kontaktovať náš servis, uistite sa, že máte k dispozícii nasledujúce údaje. Informácie nájdete na typovom štítku.

Model _____

Sériové č. _____

V prípade záruky skontrolujte aj záručný list dodaný s výrobkom.

European Call Service-Center		
Krajina*	Telefónne číslo	Náklady
Haier Italy (IT)	199 100 912	
Haier Spain (ES)	902 509 123	
Haier Germany (DE)	0180 5 39 39 99	<ul style="list-style-type: none"> • 14 centov/min. pevná linka • max. 42 centov/min. mobil
Haier Austria (AT)	0820 001 205	<ul style="list-style-type: none"> • 14,53 centov/min. pevná linka • max. 20 centov/min. všetky ostatné
Haier United Kingdom (UK)	0333 003 8122	
Haier France (FR)	0980 406 409	



* Ďalšie krajiny nájdete na stránke www.haier.com

Haier Europe Trading S.r.l

Pobočka UK

Westgate House, Westgate, Ealing

London, W5 1YY

*Trvanie záruky na chladiaci spotrebič:

Minimálna záruka je: 2 roky pre krajiny EÚ, 3 roky pre Turecko, 1 rok pre Spojené kráľovstvo, 1 rok pre Rusko, 3 roky pre Švédsko, 2 roky pre Srbsko, 5 rokov pre Nórsko, 1 rok pre Maroko, 6 mesiacov pre Alžírsko, Tunisko nevyžaduje žiadnu zákonnú záruku.

*Obdobie poskytovania náhradných dielov na opravu spotrebiča:

Termostaty, snímače teploty, dosky plošných spojov a svetelné zdroje sú k dispozícii minimálne sedem rokov po uvedení poslednej jednotky modelu na trh. Kľučky, závesy dverí, podnosy a koše minimálne na obdobie siedmich rokov a tesnenia dverí na minimálne 10 rokov po uvedení poslednej jednotky modelu na trh.

*Ďalšie informácie o výrobku nájdete na stránke <https://eprel.ec.europa.eu/> alebo si naskenujte QR kód na štítku s údajmi o elektrickej spotrebe spotrebiča.

<u>5 Varnostne informacije</u>	<u>Pred prvo uporabo</u>	6
	<u>Namestitev</u>	6
	<u>Vsakodnevna uporaba</u>	7
<u>10 Predvidena uporaba</u>		
<u>11 Opis izdelka</u>		
<u>22 Nadzorna plošča</u>		
<u>23 Uporaba</u>	<u>Prilagoditev temperature hladilnika</u>	24
	<u>Prilagoditev temperature zamrzovalnika</u>	24
	<u>Prilagoditev temperature v My Zone</u>	24
	<u>Funkcija Super Cool</u>	25
	<u>Funkcija Super Freeze</u>	26
<u>31 Oprema</u>		
<u>35 Nasveti za varčevanje z energijo</u>		
<u>36 Nega in čiščenje</u>		
<u>39 Odpravljanje težav</u>		
<u>43 Namestitve</u>		
<u>47 Tehnični podatki</u>		
<u>58 Služba za pomoč strankam</u>		



Kliknite na vsebino, da si ogledate podrobne informacije.

Zahvaljujemo se vam za nakup izdelka Haier.

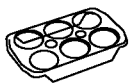
Pred uporabo aparata skrbno preberite ta navodila. Navodila vsebujejo pomembne informacije, ki vam bodo pomagale čim boljše izkoristiti aparat ter zagotoviti varno in pravilno namestitvev, uporabo in vzdrževanje.

Ta priročnik hranite na priročnem mestu, da je vedno na dosegu roke za varno in pravilno uporabo aparata.

Če aparat prodate, ga podarite ali pustite za sabo, ko se selite, poskrbite, da boste ta priročnik predali novemu lastniku, da se bo lahko seznanil z aparatom in varnostnimi opozorili.

Dodatki

Preverite dodatke in literaturo v skladu s tem seznamom:



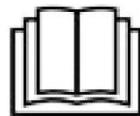
Pladenj za jajca



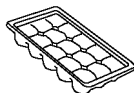
Energijska nalepka



Garancijska kartica



Navodila za uporabo



Pladenj za ledene kocke



Tečaji vrat



Pokrov tečaja



Vložek pokrovčka

**OPOZORILO – Pomembne varnostne informacije****OBVESTILO – Splošne informacije in nasveti****Okoljske informacije****Odstranjevanje**

Pomagajte varovati okolje in zdravje ljudi. Embalažo odložite v ustrezne zbiralnike za recikliranje. Pomagajte pri recikliranju električnih in elektronskih odpadnih naprav. Aparatov, označenih s tem simbolom, ne odlagajte med gospodinjske odpadke.

Vrnite izdelek vašemu lokalnemu obratu za recikliranje ali se obrnite na občinski urad.

**OPOZORILO!**

Nevarnost telesnih poškodb ali zadužitve!

Hladilna sredstva in pline je treba odstraniti profesionalno. Prepričajte se, da cevi hladilnega tokokroga niso poškodovane, preden jih ustrezno zavržete. Aparat pred čiščenjem odklopite z napajanja. Odsluženemu aparatu odrežite električni kabel in ga zavržite. Odstranite pladnje in predale ter zatič in tesnila vrat, da preprečite zapiranje otrok in hišnih ljubljencev v aparat.



Pred prvim vklopom aparata preberite naslednje varnostne nasvete!:



OPOZORILO!

Pred prvo uporabo

- ▶ Prepričajte se, da med prevozom ni prišlo do poškodb.
- ▶ Odstranite vso embalažo in shranjujte izven dosega otrok.
- ▶ Pred namestitvijo aparata počakajte vsaj dve uri, da zagotovite polno učinkovitost hladilnega krogotoka.
- ▶ Aparat naj prenašata vsaj dve osebi, ker je težek.

Namestitev

- ▶ Aparat naj bo postavljen v dobro prezračevan prostor. Poskrbite, da bo nad aparatom in okoli njega vsaj 10 cm prostora.
- ▶ Aparata nikoli ne postavljajte na vlažno mesto ali mesto, kjer bi lahko po njem brizgala voda. Očistite in pobrišite vodne kapljice in madeže z mehko čisto krpo.
- ▶ Aparata ne postavljajte neposredno na sonce ali blizu virov toplote (npr. štedilnikov, grelcev).
- ▶ Aparat namestite na mestu, ki je primerno njegovi velikosti in namenu.
- ▶ Poskrbite, da bodo prezračevalne odprtine aparata ali vgradnih elementov proste in neovirane.
- ▶ Prepričajte se, da se podatki o električnem toku na ploščici s tehničnimi navedbami ujemajo z napajanjem. V nasprotnem primeru se obrnite na električarja.
- ▶ Aparat deluje z izmeničnim napajanjem 220–240 VAC/50 Hz. Nenormalno nihanje napetosti lahko povzroči, da se aparat ne zažene, poškoduje regulator temperature ali kompresor ali pa se med delovanjem pojavi nenavaden hrup. V tem primeru se namesti samodejni regulator.
- ▶ Ne uporabljajte adapterjev z več vtiči in podaljškov.
- ▶ Prenosnih vtičnic ali prenosnega električnega napajanja ne postavljajte za aparat.
- ▶ Prepričajte se, da se napajalni kabel ni zataknil pod hladilnikom. Ne stopajte na napajalni kabel.



OPOZORILO!

- ▶ Uporabite ločeno ozemljeno vtičnico za napajanje, ki je lahko dostopna. Aparat mora biti ustrezno ozemljen.
Samo za Združeno kraljestvo: Napajalni kabel aparata je opremljen s 3-žilnim (ozemljitvenim) vtičem, ki ustreza standardni 3-žilni (ozemljeni) vtičnici. Nikoli ne odrežite in ne odstranjujte tretjega zatiča (ozemljitev). Po namestitvi aparata mora biti vtič dostopen.
- ▶ Ne poškodujte hladilne napeljave.

Vsakodnevna uporaba

- ▶ Ta aparat lahko uporabljajo otroci, starejši od 8 let, ter osebe z zmanjšanimi fizičnimi, senzoričnimi ali umskimi zmožnostmi ali s pomanjkanjem izkušenj in znanja, pod ustreznim nadzorom, ali če imajo navodila za varno uporabo aparata ter če razumejo s tem povezana tveganja.
- ▶ Otrokom, starim od 3 do 8 let, je dovoljeno polnjenje in praznjenje, vendar jim ni dovoljeno čiščenje in nameščanje hladilnih aparatov.
- ▶ Otroci, mlajši od 3 let, naj se zadržujejo stran od aparata, razen če so pod stalnim nadzorom.
- ▶ Otroci naj se z aparatom ne igrajo.
- ▶ Če v bližini aparata pušča hladilni plin ali drug vnetljiv plin, izklopite ventil uhajajočega plina, odprite vrata in okna ter ne odklopite napajalnega kabla hladilnika ali drugega aparata.
- ▶ Upoštevajte, da je aparat nastavljen za delovanje v določenem območju temperature okolja med 10 in 43 °C. Aparat morda ne bo deloval pravilno, če je dlje časa izpostavljen temperaturi, ki je višja ali nižja od navedene.
- ▶ Na hladilnik ne postavljajte nestabilnih predmetov (težkih predmetov, posod, napolnjenih z vodo), da se izognete poškodbam zaradi padca ali električnega udara zaradi stika z vodo.
- ▶ Ne vlecite vratnih polic. Vrata se lahko potegnejo poševno, stojalo za steklenice se lahko izvleče ali pa se aparat prevrne.
- ▶ Vrata odpirajte in zapirajte samo z ročaji. Razmik med vrati ter vrati in omaro je zelo ozek. Ne segajte z rokami v te predele, da se izognete priprtju prstov. Vrata hladilnika odprite ali zaprite le, če v območju premikanja vrat ni otrok.



OPOZORILO!

- ▶ Ne shranjujte ali uporabljajte vnetljivih, eksplozivnih ali jedkih snovi v aparatu ali njegovi bližini.
- ▶ V aparatu ne shranjujte zdravil, bakterij ali kemičnih snovi. Ta aparat je gospodinjiski aparat, zato ni priporočljivo hraniti materialov, ki zahtevajo strogo določene temperature.
- ▶ V zamrzovalniku nikoli ne shranjujte tekočin v steklenicah ali pločevinkah (razen močnih žganih pijač), zlasti gaziranih pijač, saj jih bo med zamrzovanjem razneslo.
- ▶ Preverite stanje hrane, če je prišlo do segrevanja v zamrzovalniku.
- ▶ Ne nastavite nepotrebno nizke temperature v predelu hladilnika. Pri visokih nastavitvah lahko pride do temperatur pod ničlo. Pozor: Steklenice lahko počijo
- ▶ Zamrznjenih živil se ne dotikajte z mokrimi rokami (uporabite rokavice). Še posebej ne jejte ledenk takoj, ko jih vzamete iz zamrzovalnika. Obstaja tveganje za zamrznitev ali nastanek mehurjev zaradi zmrzali. PRVA pomoč: takoj postavite pod tekočo mrzlo vodo. Ne vlecite proč!
- ▶ Med delovanjem se ne dotikajte notranjosti zamrzovalnega dela, zlasti z mokrimi rokami, saj lahko vaše roke primrznejo na površino.
- ▶ V primeru prekinitve napajanja ali pred čiščenjem aparat izklopite. Pred ponovnim zagonom aparata počakajte vsaj 7 minut, saj lahko pogosto zaganjanje poškoduje kompresor.
- ▶ Ne uporabljajte električnih naprav v predalih za shranjevanje živil v aparatu, razen če njihovo uporabo priporoča proizvajalec. Vzdrževanje/čiščenje
- ▶ Poskrbite, da bodo otroci pod nadzorom, če bodo opravljali čiščenje in vzdrževanje.
- ▶ Pred vsakim rednim vzdrževanjem aparat odklopite iz električnega napajanja. Pred ponovnim zagonom aparata počakajte vsaj 5 minut, saj lahko pogosto zaganjanje poškoduje kompresor.

**OPOZORILO!**

- ▶ Pri izklopu aparata primite vtič kabla, ne vlecite kabla.
- ▶ Aparata ne čistite s trdimi ščetkami, žičnimi krtačami, detergentom v prahu, bencinom, amil acetatom, acetonom in podobnimi organskimi raztopinami, kislimi ali alkalnimi raztopinami. Čistite ga s posebnim detergentom za hladilnik, da se izognete poškodbam.
- ▶ Zmrzali in ledu ne strgajte z ostrimi predmeti. Ne uporabljajte razpršil in električnih grelnikov, kot so grelnik, sušilec za lase, parni čistilniki ali drugi viri toplote, da se izognete poškodbam plastičnih delov.
- ▶ Ne uporabljajte mehanskih sredstev za pospešitev odmrzovanja oziroma sredstev, ki jih ne priporoča proizvajalec.
- ▶ Če je priključni kabel poškodovan, morate preprečiti morebitna tveganja, zato ga sme nadomestiti samo proizvajalec, njegov servisni agent ali drug kvalificiran serviser.
- ▶ Aparata ne poskušajte popravljati, razstavljati ali spreminjati sami. V primeru popravila se obrnite na našo službo za stranke.
- ▶ Vsaj enkrat letno odstranite prah na hrbtni strani enote, da se izognete nevarnosti požara in povečani porabi energije.
- ▶ Med čiščenjem aparata ne škropite ali spirajte.
- ▶ Aparata ne čistite s pršenjem vode ali paro.
- ▶ Hladnih steklenih polic ne čistite z vročo vodo. Zaradi nenadne spremembe temperature se lahko steklo zlomi.

Informacije o hladilnih plinih**OPOZORILO!**

Aparat vsebuje vnetljivo hladilno sredstvo IZOBUTAN (R600a). Prepričajte se, da hladilni tokokrog med transportom ali namestitvijo ni poškodovan. Puščanje hladilnega sredstva lahko povzroči poškodbe oči ali pa se sredstvo vname.

Če je prišlo do poškodbe, aparatu ne približujte odprtih virov ognja, temeljito prezračite prostor, ne priključujte ali odklapljajte napajalnih kablov aparata ali katere koli druge naprave. Obvestite službo za pomoč strankam.

Če oči pridejo v stik s hladilnim sredstvom, jih takoj sperite pod tekočo vodo in pokličite očesnega specialista.



Predvidena uporaba

Ta aparat je namenjen hlajenju in zamrzovanju hrane. Zasnovan je bil izključno za uporabo v gospodinjstvih in prostorih, kot so kuhinjski prostori za osebe v trgovinah, pisarne in druga delovna okolja; na kmetijah in za uporabo strank v hotelih, motelih in drugih bivalnih objektih ter v prenočitvenih in gostinskih dejavnostih. Ni primeren za komercialno ali industrijsko uporabo.

Spreminjanje aparata je prepovedano. Nenamenska uporaba lahko povzroči nevarnosti in izgubo garancijskih zahtevkov.

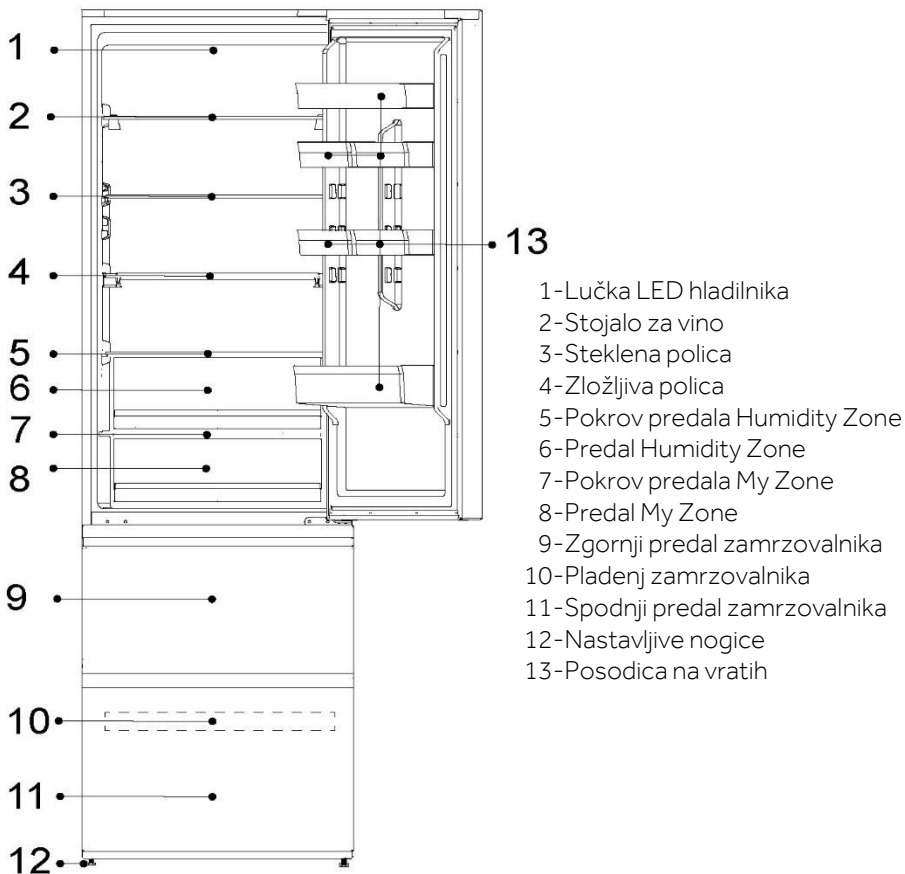
Standardi in direktive **CE**

Ta izdelek izpolnjuje zahteve vseh veljavnih direktiv ES z ustreznimi usklajenimi standardi, ki določajo oznako CE.

i OBVESTILO

Zaradi tehničnih sprememb in različnih modelov se lahko nekatere ilustracije v tem priročniku razlikujejo od zadevnega modela.

(HTW5620DN*, HTW5620CN*, HTW5620EN*)

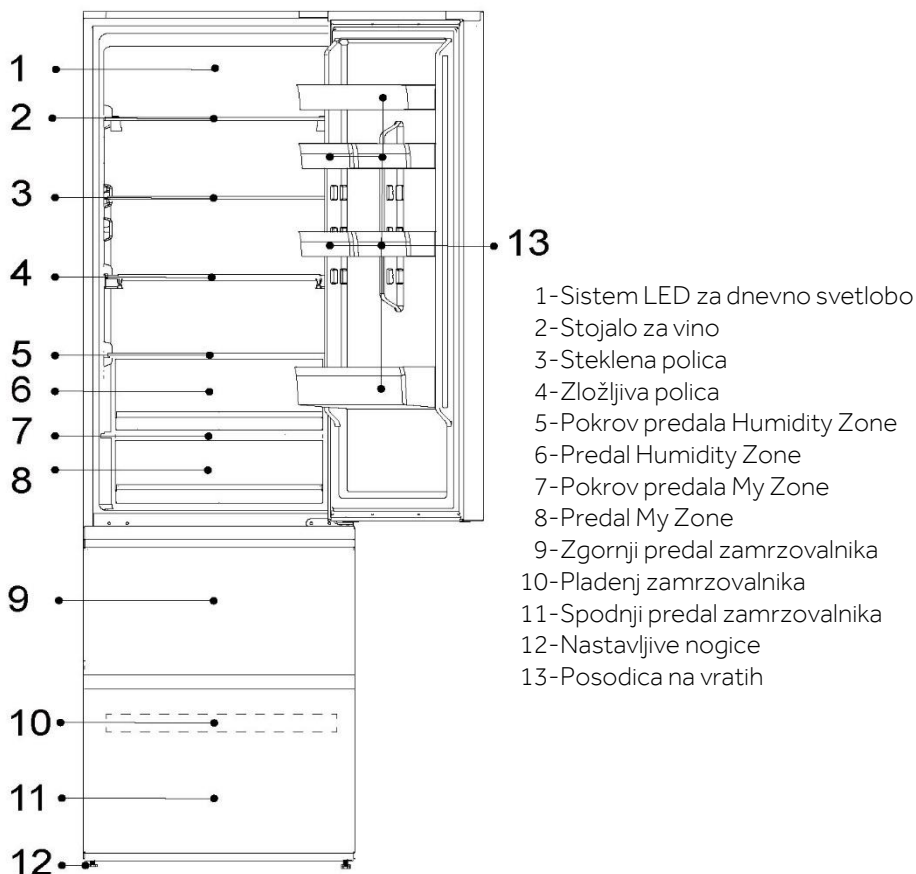


- 1-Lučka LED hladilnika
- 2-Stojalo za vino
- 3-Steklena polica
- 4-Zložljiva polica
- 5-Pokrov predala Humidity Zone
- 6-Predal Humidity Zone
- 7-Pokrov predala My Zone
- 8-Predal My Zone
- 9-Zgornji predal zamrzovalnika
- 10-Pladenj zamrzovalnika
- 11-Spodnji predal zamrzovalnika
- 12-Nastavljive nogice
- 13-Posodica na vratih

i OBVESTILO

Zaradi tehničnih sprememb in različnih modelov se lahko nekatere ilustracije v tem priročniku razlikujejo od zadevnega modela.

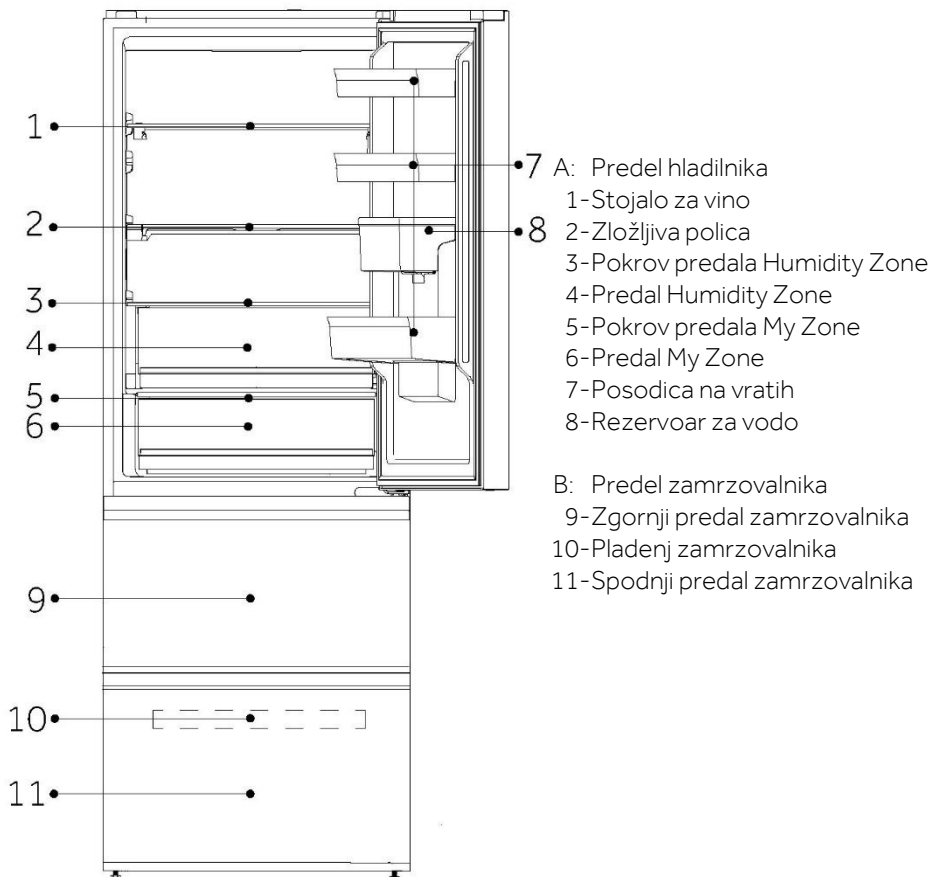
(HTW7620AN*, HTW7620CN*, HTW7620DN*)



- 1-Sistem LED za dnevno svetlobo
- 2-Stojalo za vino
- 3-Steklena polica
- 4-Zložljiva polica
- 5-Pokrov predala Humidity Zone
- 6-Predal Humidity Zone
- 7-Pokrov predala My Zone
- 8-Predal My Zone
- 9-Zgornji predal zamrzovalnika
- 10-Pladenj zamrzovalnika
- 11-Spodnji predal zamrzovalnika
- 12-Nastavljive nogice
- 13-Posodica na vratih

i OBVESTILO

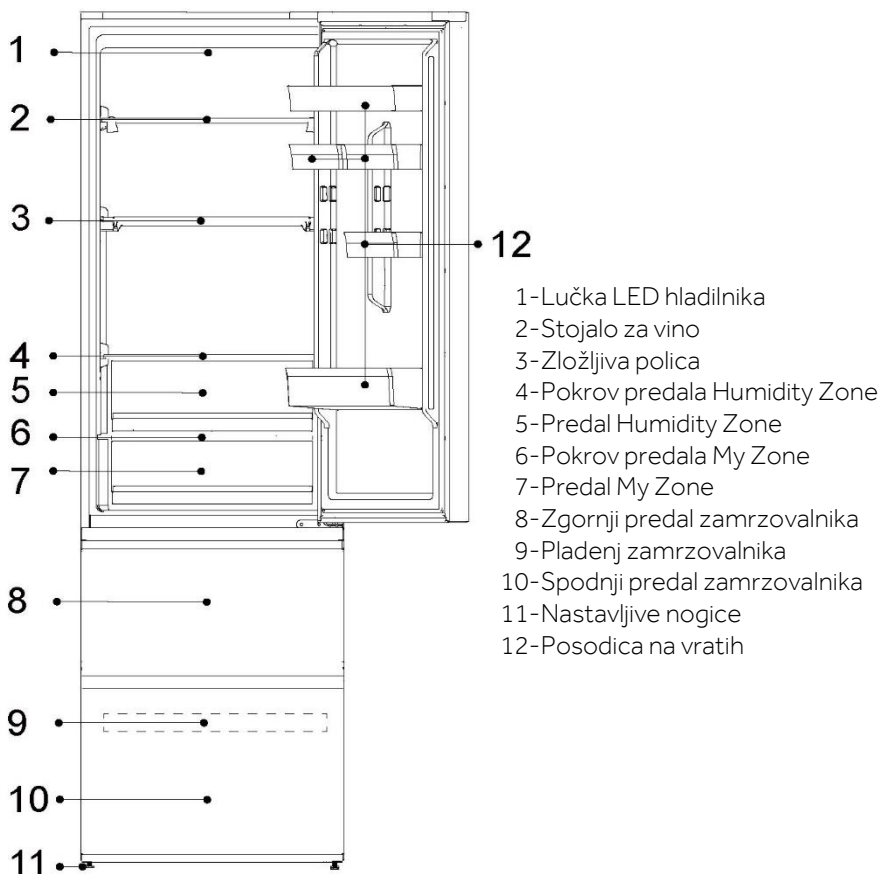
Zaradi tehničnih sprememb in različnih modelov se lahko nekatere ilustracije v tem priročniku razlikujejo od zadevnega modela.
(HTW5618DW*)



i OBVESTILO

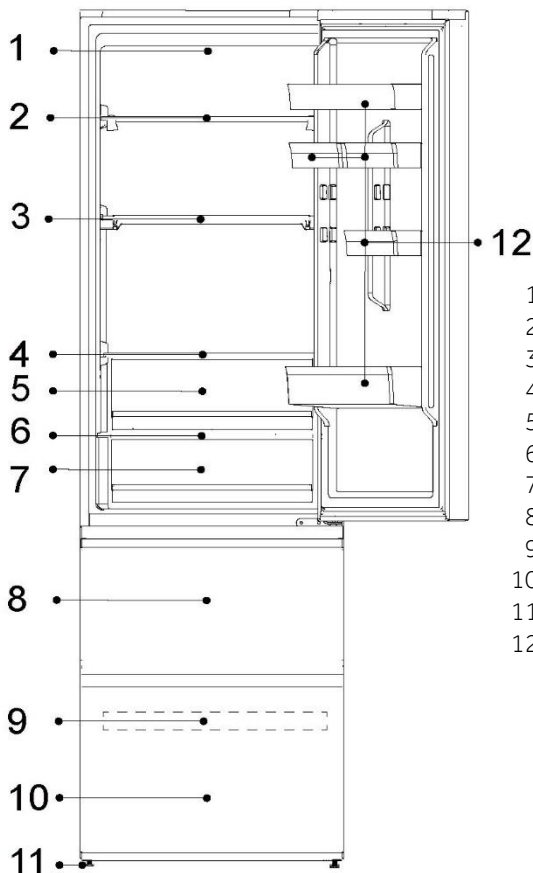
Zaradi tehničnih sprememb in različnih modelov se lahko nekatere ilustracije v tem priročniku razlikujejo od zadevnega modela.

(HTW5618DN*, HTW5618CN*, HTW5618EN*)



i OBVESTILO

Zaradi tehničnih sprememb in različnih modelov se lahko nekatere ilustracije v tem priročniku razlikujejo od zadevnega modela.
(HTW3620DN*)

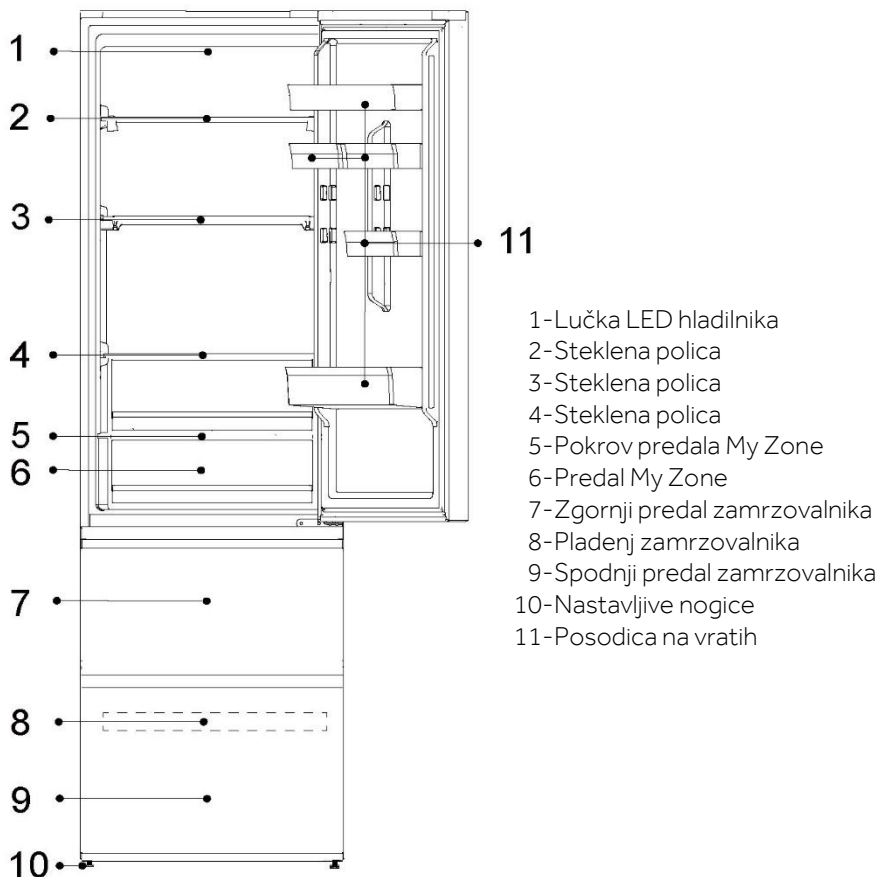


- 1 - Lučka LED hladilnika
- 2 - Steklena polica
- 3 - Steklena polica
- 4 - Steklena polica
- 5 - Steklena polica
- 6 - Pokrov predala My Zone
- 7 - Predal My Zone
- 8 - Zgornji predal zamrzovalnika
- 9 - Pladenj zamrzovalnika
- 10 - Spodnji predal zamrzovalnika
- 11 - Nastavljive nogice
- 12 - Posodica na vratih

i OBVESTILO

Zaradi tehničnih sprememb in različnih modelov se lahko nekatere ilustracije v tem priročniku razlikujejo od zadevnega modela.

(HTW3618DN*, HTW3618CN*, HTW3618EN*)

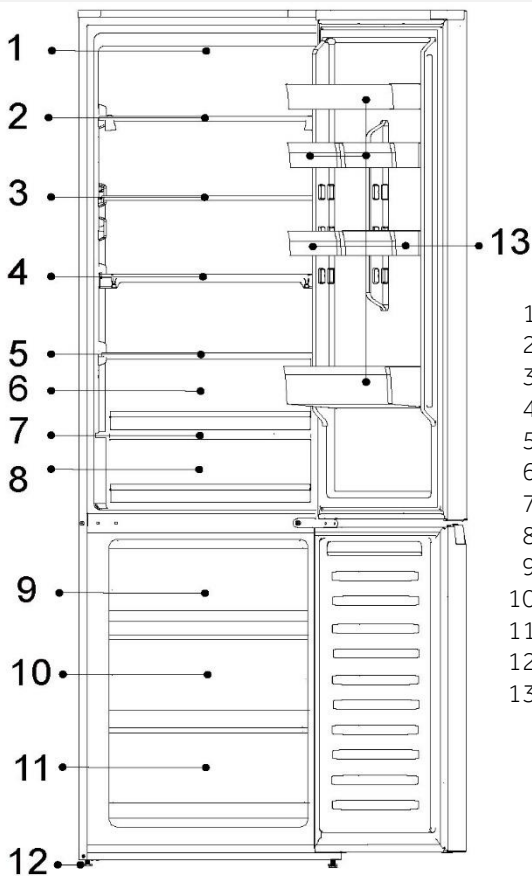


- 1-Lučka LED hladilnika
- 2-Steklena polica
- 3-Steklena polica
- 4-Steklena polica
- 5-Pokrov predala My Zone
- 6-Predal My Zone
- 7-Zgornji predal zamrzovalnika
- 8-Pladenj zamrzovalnika
- 9-Spodnji predal zamrzovalnika
- 10-Nastavljive nogice
- 11-Posodica na vratih

i **OBVESTILO**

Zaradi tehničnih sprememb in različnih modelov se lahko nekatere ilustracije v tem priročniku razlikujejo od zadevnega modela.

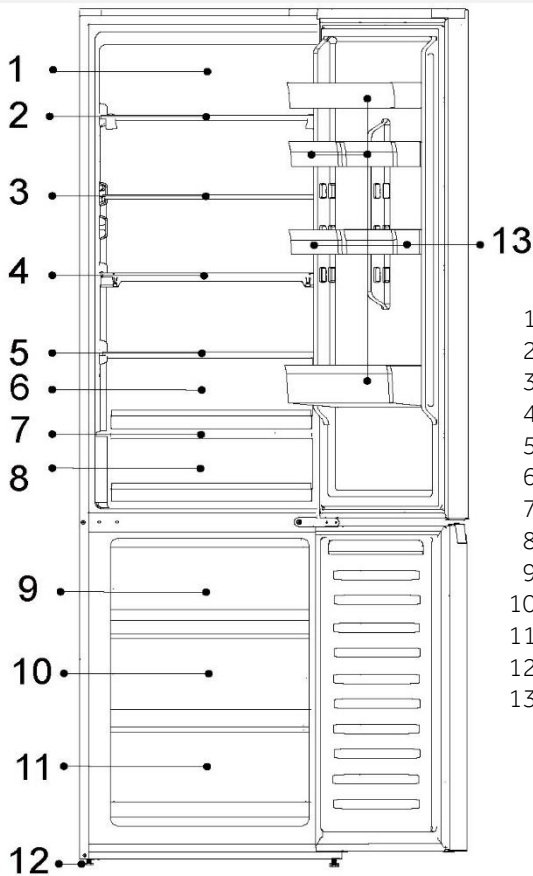
(HDPW5620DN*, HDPW5620CN*, HDPW5620AN*, HDPW5620BN*)



- 1-Lučka LED hladilnika
- 2-Stojalo za vino
- 3-Steklena polica
- 4-Zložljiva polica
- 5-Pokrov predala Humidity Zone
- 6-Predal Humidity Zone
- 7-Pokrov predala My Zone
- 8-Predal My Zone
- 9-Zgornji predal zamrzovalnika
- 10-Srednji predal zamrzovalnika
- 11-Spodnji predal zamrzovalnika
- 12-Nastavljive nogice
- 13-Posodica na vratih

i OBVESTILO

Zaradi tehničnih sprememb in različnih modelov se lahko nekatere ilustracije v tem priročniku razlikujejo od zadevnega modela.
(HDPW7620AN*, HDPW7620AAN*)

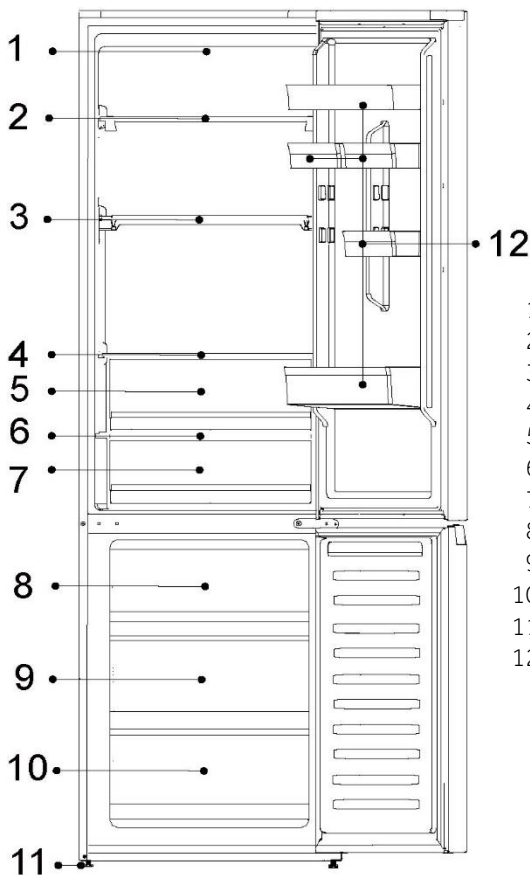


- 1-Sistem LED za dnevno svetlobo
- 2-Stojalo za vino
- 3-Steklena polica
- 4-Zložljiva polica
- 5-Pokrov predala Humidity Zone
- 6-Predal Humidity Zone
- 7-Pokrov predala My Zone
- 8-Predal My Zone
- 9-Zgornji predal zamrzovalnika
- 10-Srednji predal zamrzovalnika
- 11-Spodnji predal zamrzovalnika
- 12-Nastavljive nogice
- 13-Posodica na vratih

i **OBVESTILO**

Zaradi tehničnih sprememb in različnih modelov se lahko nekatere ilustracije v tem priročniku razlikujejo od zadevnega modela.

(HDPW5618DN*, HDPW5618CN*)

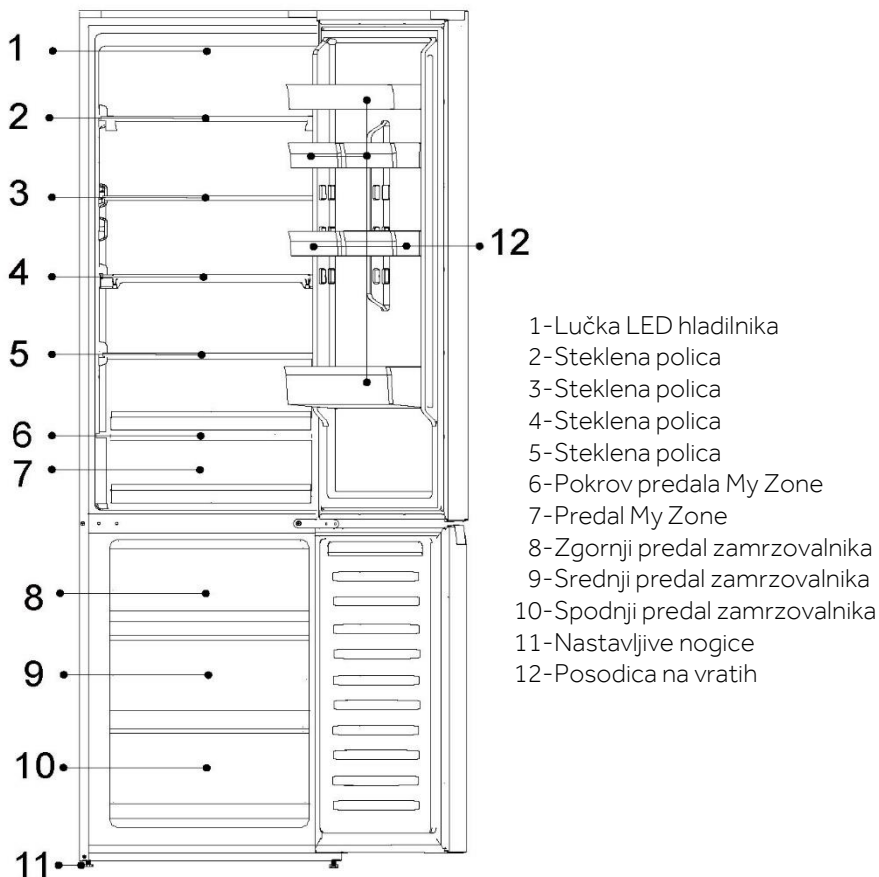


- 1-Lučka LED hladilnika
- 2-Stojalo za vino
- 3-Zložljiva polica
- 4-Pokrov predala Humidity Zone
- 5-Predal Humidity Zone
- 6-Pokrov predala My Zone
- 7-Predal My Zone
- 8-Zgornji predal zamrzovalnika
- 9-Srednji predal zamrzovalnika
- 10-Spodnji predal zamrzovalnika
- 11-Nastavljive nogice
- 12-Posodica na vratih

i OBVESTILO

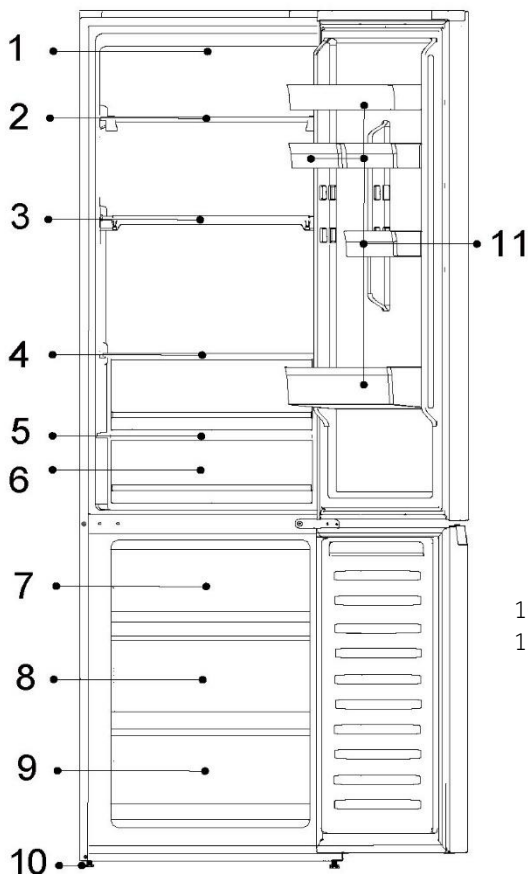
Zaradi tehničnih sprememb in različnih modelov se lahko nekatere ilustracije v tem priročniku razlikujejo od zadevnega modela.

(HDPW3620DN*, HDPW3620CN*)



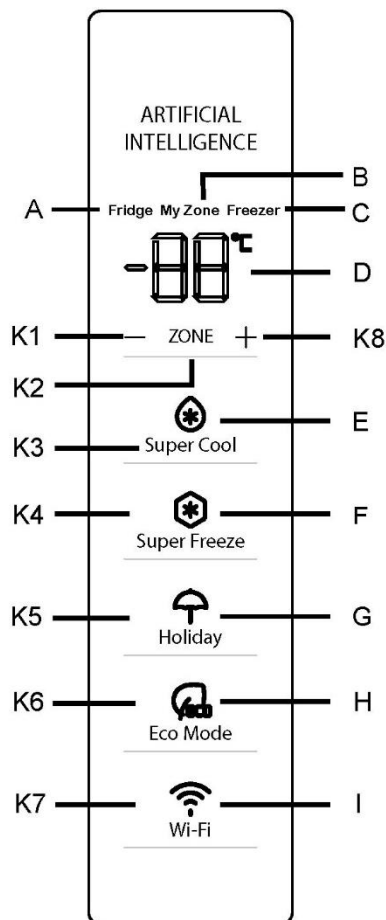
i OBVESTILO

Zaradi tehničnih sprememb in različnih modelov se lahko nekatere ilustracije v tem priročniku razlikujejo od zadevnega modela.
(HDPW3618DN*)



- 1-Lučka LED hladilnika
- 2-Steklena polica
- 3-Steklena polica
- 4-Steklena polica
- 5-Pokrov predala My Zone
- 6-Predal My Zone
- 7-Zgornji predal zamrzovalnika
- 8-Srednji predal zamrzovalnika
- 9-Spodnji predal zamrzovalnika
- 10-Nastavljive nogice
- 11-Posodica na vratih

Nadzorna plošča



Kazalniki:

- A Hladilnik
- B Predel za hlajenje (My Zone)
- C Predel zamrzovalnika
- D Prikaz temperature
- E Funkcija Super Cool
- F Funkcija Super Freeze
- G Funkcija Holiday
- H Funkcija Eco Mode | Funkcija Wi-Fi

Gumbi:

- K1 Znižanje temperature
- K2 Izbira Fridge, My Zone in Freezer
- K3 Vklp/izklop funkcije Super Cool
- K4 Vklp/izklop funkcije Super Freeze
- K5 Vklp/izklop funkcije Holiday
- K6 Vklp/izklop funkcije Eco Mode
- K7 Vklp/izklop funkcije Wi-Fi
- K8 Povišanje temperature

Pred prvo uporabo

Odstranite vso embalažo in jo hranite izven dosega otrok ter jo zavržite na okolju prijazen način.

Očistite notranjost in zunanost aparata kakor tudi notranjost in dodatke z vodo ter blagim detergentom ter jih posušite z mehko krpo.

Ko je aparat poravnan in očiščen, počakajte vsaj 2 uri, preden ga priključite na napajanje. Glejte poglavje NAMESTITEV.

Predem aparat napolnite s hrano, predhodno ohladite predele pri visokih nastavitvah. Funkcija Super Freeze pomaga hitro ohladiti predel zamrzovalnika.

Tipke senzorja

Gumbi na nadzorni plošči so senzorske tipke, ki se odzovejo, ko se jih rahlo dotaknete s prstom.

Vklop/izklop aparata

Aparat začne delovati takoj, ko ga priključite na napajanje.

Ko je aparat prvič vklopjen, indikatorji temperature »D« prikazujejo prednastavljene vrednosti (glejte spodnje obvestilo).



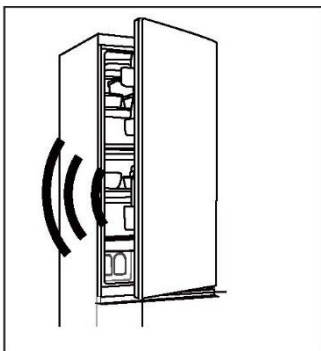
OBVESTILO

Aparat je predhodno nastavljen na priporočeno temperaturo 5 °C (hladilnik) in -18 °C (zamrzovalnik). Temperatura My Zone je vnaprej nastavljena na približno 2 °C. To so priporočene nastavitve. Če želite, lahko te temperature ročno spremenite.

Alarm odprtih vrat

Ko so vrata hladilnika odprta več kot 3 minute, se oglasi alarm za odprta vrata.

Alarm lahko izklopite tako, da zaprete vrata. Če vrata ostanejo odprta več kot 7 minut, se luč v hladilniku in osvetlitev nadzorne plošče samodejno izklopita.



Nastavitev temperature

Na notranjo temperaturo vplivajo naslednji dejavniki:

- ▶ Temperatura prostora
- ▶ Pogostost odpiranja vrat
- ▶ Količina shranjenih živil
- ▶ Namestitev aparata



Prilagoditev temperature hladilnika

1. Pritisnite gumb »K2« (izbira Fridge / (My Zone) / Freezer), da izberete predel hladilnika. Ikoni »A« (predel hladilnika) in »D« (prikaz temperature) svetita.

2. Pritisnite gumb »K1/K8«, da nastavite temperaturo hladilnika.

Temperatura narašča v intervalih po 1 °C, od najmanj 2 °C do največ 8 °C. Idealna temperatura v hladilniku je 5 °C. Nižje temperature povzročijo nepotrebno porabo energije.

3. Po približno 5 sekundah bo ikona temperature »D« (prikaz temperature) trajno svetila, s čimer je nastavitev potrjena.

Prilagoditev temperature zamrzovalnika

1. Pritisnite gumb »K2« (izbira Fridge / (My Zone) / Freezer), da izberete predel za zamrzovanje. Svetita ikoni °C »C« (predel zamrzovalnika) in »D« (prikaz temperature).

2. Pritisnite gumb »K1/K8«, da nastavite temperaturo zamrzovalnika.

Temperatura narašča v intervalih po 1 °C, od najmanj –24 °C do največ –16 °C. Idealna temperatura v zamrzovalniku je –18. Nižje temperature povzročijo nepotrebno porabo energije.

3. Po približno 5 sekundah bo indikator temperature »D« (prikaz temperature) trajno svetil, s čimer je nastavitev potrjena.

Prilagoditev temperature v My Zone

Hladilnik je opremljen s predalom My Zone. V skladu s potrebami po shranjevanju živil lahko izberete najprimernejšo temperaturo, da zagotovite optimalno hranilno vrednost živil.

1. Pritisnite gumb »K2« (izbira Fridge / (My Zone) / Freezer), da izberete predel My Zone. Ikoni »B« (predel My Zone) in »D« (prikaz temperature) svetita.

2. Pritisnite gumb »K1/K8«, da nastavite temperaturo v My Zone.

Temperatura narašča po 1 °C, od najmanj 0 °C do največ 5 °C.

3. Po približno 5 sekundah bo ikona temperature »D« (prikaz temperature) trajno svetila, s čimer je nastavitev potrjena.

i OBVESTILO

1. Temperaturo v predelu My Zone lahko nastavite na srednjo raven (2 °C), da bo hrana v optimalnem okolju za shranjevanje.
2. Zaradi različne vsebnosti vode v mesu bo nekatero meso z več vlage zamrznilo pri temperaturah, nižjih od 0 °C, zato je treba vnaprej narezano meso shraniti v predal My Zone pri najnižji temperaturi 0 °C.
3. V predalu My Zone ne shranjujte sadja, občutljivega na mraz, kot so ananas, avokado, banane, grenivke, in zelenjave, kot so krompir, jajčevci, fižol, kumare, bučke in paradižnik, ter sira.
4. Če je temperatura hladilnika nižja od temperature v My Zone, je normalno, da je temperatura v My Zone nižja od nastavljene temperature My Zone.
5. Če je sobna temperatura nižja od 8 °C, bo temperatura predala My Zone vedno približno 0 °C.

i OBVESTILO

Če po nastavitvi temperature v 5 sekundah pritisnete druge gumba, se trenutna nastavev temperature takoj potrdi. Če v 5 sekundah ne pritisnete nobenega gumba, se trenutno nastavljena temperatura prikazuje, dokler zaslon ne ugasne.

i OBVESTILO

V aplikaciji je mogoče prilagoditi temperaturo hladilnika, zamrzovalnika in My Zone. Temperaturo lahko nastavite z natančnostjo 1 °C.

Funkcija Super Cool

1. Priporočamo, da funkcijo Super Cool vklopite, ko morate shraniti večjo količino hrane (na primer po nakupovanju). Funkcija Super Cool pospeši hlajenje sveže hrane in zaščiti hrano, ki je že shranjena, pred neželenim segrevanjem.
2. Pritisnite gumb »K3« ali ta način vklopite prek aplikacije; zasveti ikona »E« (funkcija Super Cool), kar pomeni, da je funkcija vklopljena.

OBVESTILO

1. Aparat funkcijo »Super Cool« ugasne po 6 urah od vklopa te funkcije ali po pritisku na gumb »K3«, ko sveti ikona »E« (funkcija Super Cool) ali ko jo izklopite prek aplikacije.
2. Če medtem, ko je aparat v stanju Super Cool, poskusite prilagoditi temperaturo predela hladilnika, ikona »E« (funkcija Super Cool« utripa, kar označuje, da tega dejanja ni mogoče izvesti.

Funkcija Super Freeze

1. Svežo hrano je treba čim prej povsem zamrzniti. To omogoča ohranitev najboljše hranilne vrednosti, videza in okusa. Funkcija Super Freeze pospeši zamrzovanje svežih živil in ščiti živila, ki so že shranjena, pred neželenim segrevanjem. Če morate naenkrat zamrzniti veliko količino hrane, priporočamo, da predhodno nastavite funkcijo Super Freeze 24 ur pred uporabo zamrzovalnega prostora.
2. Pritisnite gumb »K4« (nastavitev funkcije Super Freeze) ali jo vklopite prek aplikacije; zasveti ikona »F« (funkcija Super Freeze), kar pomeni, da je funkcija vklopljena.

OBVESTILO

1. Aparat funkcijo »Super Freeze« ugasne po 50 urah od vklopa te funkcije ali po pritisku na gumb »K4«, ko sveti ikona »F« (funkcija Super Freeze) ali ko jo izklopite prek aplikacije.
2. Če medtem, ko je aparat v stanju Super Freeze, poskusite prilagoditi temperaturo predela zamrzovalnika, ikona »F« (funkcija Super Freeze) utripa, kar označuje, da tega dejanja ni mogoče izvesti.

Funkcija Holiday

Funkcijo Holiday lahko uporabite za zmanjšanje porabe energije aparata, kadar je ne uporabljate redno. Ko je funkcija vklopljena, je hladilnik izklopljen, zamrzovalnik pa še naprej normalno deluje. Ta funkcija temperaturo hladilnika trajno nastavi na 17 °C.

To omogoča, da so vrata praznega hladilnika lahko zaprta, ne da bi povzročala razvoj vonja ali plesni med dolgo odsotnostjo (npr. med dopustom). Zamrzovalnik lahko nastavljate po želji.

1. Pritisnite gumb »K5« (vklop/izklop funkcije Holiday) ali izberite funkcijo v aplikaciji; zasveti ikona »G« (funkcija Holiday), kar pomeni, da je funkcija vklopljena.
2. Funkcijo lahko izklopite s ponovnim pritiskom na gumb »K5« (vklop/izklop funkcije Holiday) ali z nastavitvijo temperature hladilnika ali z izvedbo katere koli druge nastavitve, ali pa jo izklopite prek aplikacije.

OBVESTILO

1. Ko je vklopljena funkcija Holiday, v predelu hladilnika ni dovoljeno shranjevati hrane. Temperatura + 17 °C je previsoka za shranjevanje hrane.
2. Ko je funkcija Holiady vklopljena, ikona My Zone ne sveti in funkcija hladilnika je zaklenjena. Če poskusite prilagoditi temperaturo predela hladilnika, ikona »G« (funkcija Holiday) utripa, kar pomeni, da tega dejanja ni mogoče izvesti.

Funkcija Eco Mode

Eco Mode lahko aktivirate, da optimizirate delovanje aparata ob sočasni zagotovitvi najboljšega shranjevanja hrane. Če nimate posebnih zahtev, priporočamo, da uporabljate funkcijo Eco Mode.

V tem načinu je temperatura hladilnika 5 °C, temperatura zamrzovalnika pa –18 °C.





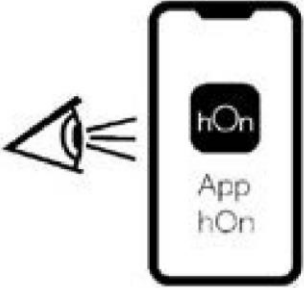
1. Pritisnite gumb »K6« (vklop/izklop funkcije Eco Mode) ali jo izberite v aplikaciji.
2. Zasveti ikona »H« (funkcija Eco Mode) in funkcija se aktivira.

S ponovitvijo zgornjih korakov ali izbiro druge funkcije ali izklopom funkcije prek aplikacije lahko to funkcijo izklopite. Obnovijo se prej nastavljene ravni hlajenja.

OBVESTILO

Če med delovanjem funkcije Eco Mode poskušate prilagoditi temperaturo predela hladilnika/zamrzovalnika, ikona »H« (funkcija Eco Mode) utripa, kar pomeni, da tega dejanja ni mogoče izvesti.

1. korak Prenesite aplikacijo hOn iz spletnih trgovin z aplikacijami.

   	
<p>2. korak Ustvarite račun v aplikaciji hOn ali pa se prijavite, če račun že imate</p> 	<p>3. korak Sledite navodilom za seznanjanje v aplikaciji hOn</p> 

Funkcija Wi-Fi

1. Če želite konfigurirati Wi-Fi, sledite navodilom v aplikaciji.
2. Ko je Wi-Fi konfiguriran in povezava vzpostavljena, ikona Wi-Fi »I« neprekinjeno sveti.
3. Če je bil Wi-Fi že konfiguriran, se bo ob vklopu Wi-Fi povezava ponovno samodejno vzpostavila na podlagi obstoječe konfiguracije.

i OBVESTILO

1. Če želite izklopiti Wi-Fi, pritisnite gumb Wi-Fi »K7« in ikona Wi-Fi »I« bo ugasnila.
2. Če želite vklopiti Wi-Fi in zagnati konfiguracijo, pritisnite gumb Wi-Fi »K7« in ikona Wi-Fi »I« bo začela počasi utripati. Če želite konfigurirati funkcijo Wi-Fi, pridržite gumb »K7« 3 sekunde. Ikona Wi-Fi bo hitro utripala in vklopil se bo način konfiguracije. Če želite funkcijo Wi-Fi izklopiti, enkrat pritisnite gumb »K7«. Zgornji koraki se ponovijo.
3. Če je bil izdelek konfiguriran in je bila funkcija Wi-Fi izklopljena, hladilnik po ponovni priključitvi napajanja ne bo prešel v način konfiguracije.

i OBVESTILO

1. Ta izdelek ni predviden za komercialno uporabo.
2. Največja RF izhodna moč: 2,4 GHz Wi-Fi: 16 dBm;
3. Bluetooth LE: 5 dBm; Bluetooth (BR/EDR): 10 dBm.
4. Frekvenčni pas delovanja: 2400-2483,5 MHz.



Shranjevanje v hladilnik

- Temperatura v hladilniku naj bo manj kot 5 °C.
- Vročo hrano je treba pred shranjevanjem v aparatu ohladiti na sobno temperaturo.
- Živila, ki jih želite shranjevati v hladilniku, je treba pred shranjevanjem oprati in posušiti.
- Živila, ki jih želite shranjevati, morajo biti pravilno zaprta, da preprečite vonjave ali spremembe okusa.
- Ne shranjujte prevelikih količin hrane. Med posameznimi živili pustite nekaj mesta, da jih obda hladen zrak, s čimer dosežete boljše in bolj homogeno hlajenje.
- Živila, ki jih uporabljate vsak dan, je treba hraniti na sprednji strani police.
- Med posameznimi živili in notranjimi stenami pustite nekaj mesta, s čimer omogočite pretok zraka. Predvsem pa ne shranjujte živil ob zadnji steni: hrana lahko primrzne na zadnjo steno. Izogibajte se neposrednemu stiku hrane (zlasti mastne ali kisle hrane) z notranjo oblogo, saj lahko olje/kislina uniči notranjo oblogo. Očistite mastno/kislo umazanijo, kadarkoli jo odkrijete.
- Zamrznjena živila lahko nežno odmrznete v hladilniku. Tako prihranite energijo.
- Postopek staranja sadja in zelenjave, kot so bučke, melone, papaja, banana, ananas itd., se lahko v hladilniku pospeši. Zato jih ni priporočljivo shranjevati v hladilniku. Zorenje močno zelenih plodov pa za nekaj časa lahko pospešite. Tudi čebulo, česen, ingver in drugo korenovko je treba hraniti pri sobni temperaturi.
- Neprijetni vonji v hladilniku so znak, da se je nekaj razlilo in da je potrebno čiščenje. Glejte poglavje Nega in čiščenje
- Različna živila je treba postaviti v različna območja glede na njihove lastnosti.

Shranjevanje v predelu zamrzovalnika

- Temperaturo zamrzovalnika pustite na -18 °C.
- 24 ur pred zamrzovanjem vklopite funkcijo Super-Freeze. Za majhne količine hrane zadostuje 4-6 ur.
- Vročo hrano je treba pred shranjevanjem v zamrzovalnem predelu ohladiti na sobno temperaturo.
- Hrana, razrezana na majhne porcije, bo hitreje zmrznila in lažje jo boste odtalili ter kuhali. Priporočena teža vsakega obroka je manjša od 2,5 kg



- Bolje je, da hrano spravite v embalažo, preden jo shranite v zamrzovalnik. Zunanost embalaže mora biti suha, da se prepreči lepljenje vrečk. Embalažni materiali morajo biti brez vonja, nepredušni, nestrupeni in netoksični.
- Da bi se izognili izteku obdobja shranjevanja, si zabeležite datum zamrznitve, rok in ime živila na embalaži glede na obdobja shranjevanja različnih živil.



OPOZORILO!

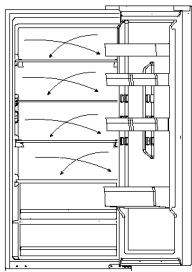
- ▶ Kislina, alkalije in sol itd. lahko poškodujejo notranjo površino zamrzovalnika.
- ▶ Živil, ki vsebujejo te snovi (npr. morske ribe), ne polagajte neposredno na notranjo površino. Slano vodo v zamrzovalniku je treba takoj očistiti.
- ▶ Ne prekoračite časa shranjevanja živil, ki ga priporočajo proizvajalci. Iz zamrzovalnika vzemite samo potrebno količino hrane.
- ▶ Odmrznjena živila hitro zaužijte. Odmrznjene hrane ni mogoče znova zamrzniti, če je najprej ne skuhate, sicer je manj užitna.
- ▶ V hladilnik ne nalagajte prevelikih količin sveže hrane. Glejte zamrzovalno zmogljivost zamrzovalnika - glejte TEHNIČNE PODATKE ali podatke na tipski tablici.
- ▶ Živila lahko hranite v zamrzovalniku pri temperaturi najmanj -18°C 2 do 12 mesecev, odvisno od njegovih lastnosti (npr. meso: 3–12 mesecev, zelenjavo: 6–12 mesecev)
- ▶ Pri zamrzovanju sveže hrane se izogibajte stiku z že zamrznjeno hrano. Nevarnost odmrzovanja!

Pri shranjevanju komercialno zamrznjenih živil upoštevajte ta navodila:

- Vedno upoštevajte proizvajalčeve smernice glede dolžine za shranjevanje živil. Ne prekoračite teh smernic!
- Naj bo čas med nakupom in shranjevanjem čim krajši, da ohranite kakovost hrane.
- Kupite zamrznjena živila, ki so bila shranjena pri temperaturi -18°C ali nižji.
- Izogibajte se nakupu hrane z ledom ali zmrzaljo na embalaži – to pomeni, da so bili izdelki v določenem trenutku morda delno odmrznjeni in znova zamrznjeni – dvig temperature vpliva na kakovost hrane.

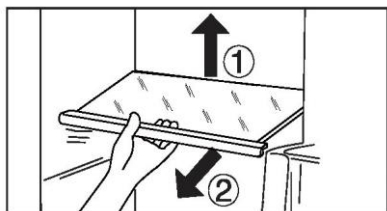
i OBVESTILO

Zaradi različnih modelov vaš izdelek morda nima vseh naslednjih funkcij. Glejte poglavje Opis izdelka.I.



Več pretokov zraka

Hladilnik je opremljen s sistemom z več pretoki zraka, s katerim se hladni pretoki zraka nahajajo na vsaki ravni police. To pomaga ohraniti enotno temperaturo, da ostane hrana dlje časa sveža.



Nastavljiva polica

1. Višino polic lahko prilagodite tako, da ustrezajo vašim potrebam po shranjevanju.
2. Za premik police jo najprej odstranite tako, da dvignete njen zadnji rob ① in jo izvlečete ②.
3. Če jo želite znova namestiti, jo postavite na vodila na obeh straneh in potisnite do konca nazaj, dokler zadnji del police ni pritrjen v reže na strani.

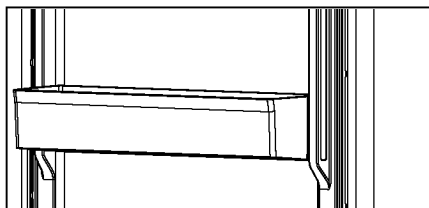
i OBVESTILO

Prepričajte se, da so vsi konci police poravnani.

Odstranljiva posoda na vratih

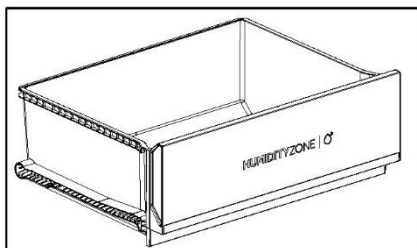
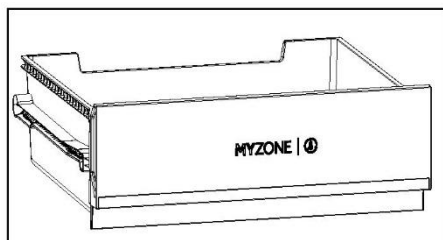
Posodo na vratih lahko odstranite za čiščenje:

Položite roke na vsako stran posode ter jo dvignete navzgor (1) in povlecite navzven (2). Za vstavev posode v vrata izvedite zgornje korake v obratnem vrstnem redu.



Predal My Zone

Za uporabo in nastavitve predela My Zone preverite poglavje UPORABA (My Zone).



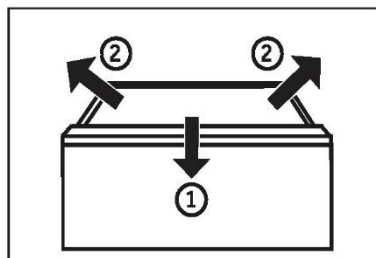
Predal Humidity Zone

V tem predelu sistem samodejno nadzoruje stopnjo vlažnosti in je primeren za shranjevanje sadja, zelenjave, solate itd.

Odstranljiv predal

Če želite predal izvleči iz predela hladilnika ali zamrzovalnika, ga v največji možni meri izvlecite (1), dvignite in odstranite (2).

Za vstavev predala zgornje korake izvedite v obratnem vrstnem redu.



Predal zamrzovalnika

Predale zamrzovalnika lahko naravnost in povsem izvlečete. Nameščeni so na gladko tekočem teleskopskem vodilu. Omogočajo udobno shranjevanje in odstranjevanje zamrznjene hrane. Zaradi mehanizma samodejnega zapiranja vrat je rokovanje enostavno in lahko prihranite energijo



OPOZORILO!

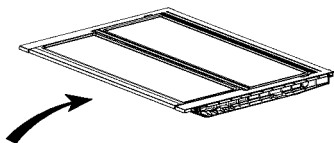
Predalov ne preobremenjujte: Največja obremenitev posameznega predala: 35 kg!

Luč

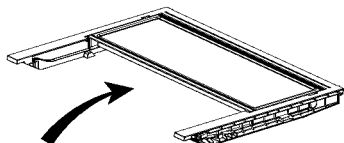
Notranja luč LED se prižge, ko odprete vrata. Na delovanje luči ne vpliva nobena druga nastavitev aparata.

Zložljiva polica

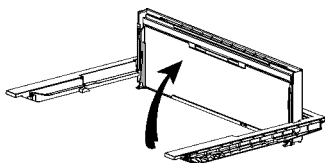
Zložljiva polica uporabniku omogoča, da na police postavi visoke steklenice ali predmete. Polico lahko zložite nazaj, da povečate prostor, ki je na voljo na nižji polici. Polico lahko zložite po korakih 1~3. Če jih želite vrniti na prvotno mesto, izvedite postopek v obratnem vrstnem redu.



1. korak: Sprednji del police počasi potisnite do konca.



2. korak: Polico počasi potisnite navzgor v navpični položaj.



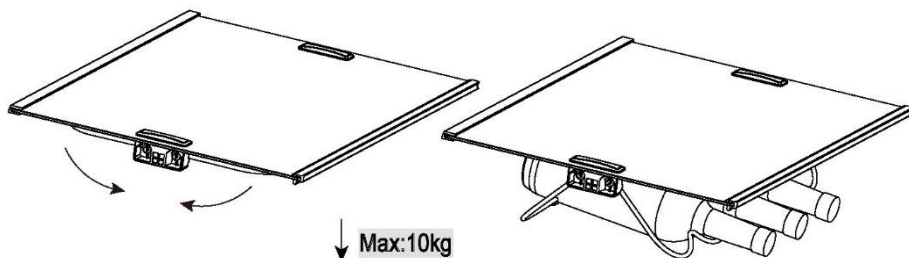
3. korak: Polica je v navpičnem položaju. S tem prihrani prostor.

Zložljivo stojalo za vino

Za običajno uporabo

1. Nosilce stojala za vino povlecite navzdol.
2. Namestite steklenice na stojalo.

Ko stojalo ni v uporabi, ga lahko zložite, da prihranite prostor.





Nasveti za varčevanje z energijo

- ▶ Prepričajte se, da je aparat pravilno prezračen (glejte NAMESTITEV).
- ▶ Aparata ne nameščajte na neposredno sončno svetlobo ali v bližino toplotnih virov (npr. štedilnikov, grelcev).
- ▶ Izogibajte se nepotrebno nizki temperaturi v aparatu. Poraba energije se povečuje z zniževanjem nastavljene temperature v aparatu.
- ▶ Funkcije, kot je SUPER FREEZE, porabijo več energije.
- ▶ Počakajte, da se toplotno obdelana živila ohladijo in jih šele nato postavite v aparat.
- ▶ Vrata aparata odprite čim manjkrat in za čim krajši čas.
- ▶ Aparata ne polnite preveč, da se izognete oviranju pretoka zraka.
- ▶ Izogibajte se zraku v embalaži živil.
- ▶ Tesnila vrat naj bodo čista, da se bodo vrata vedno pravilno zaprla.
- ▶ Zamrznjeno hrano odmrznite v predelu hladilnika ali uporabite funkcijo D-Frost v predalu My Zone.
- ▶ Pri konfiguraciji, ki najbolj varčuje z energijo, morajo biti predali in police v aparatu nameščeni v tovarniškem stanju, hrano pa je treba položiti tako, da ne ovira odvoda zraka iz kanala.



OPOZORILO!

Aparat pred čiščenjem izključite iz napajanja.

Čiščenje

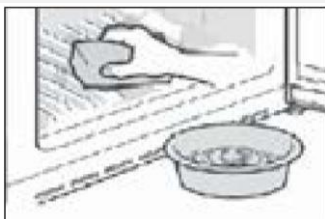
Aparat očistite, ko hranite le malo živil ali nič.

Aparat je treba očistiti vsake štiri tedne za dobro vzdrževanje in za preprečevanje neprijetnega vonja hrane.



OPOZORILO!

- ▶ Aparata ne čistite s trdimi ščetkami, žičnimi krtačami, detergentom v prahu, bencinom, amil acetatom, acetonom in podobnimi organskimi raztopinami, kislimi ali alkalnimi raztopinami. Čistite ga s posebnim detergentom za hladilnik, da se izognete poškodbam.
- ▶ Med čiščenjem aparata ne škropite ali spirajte.
- ▶ Aparata ne čistite s pršenjem vode ali paro.
- ▶ Hladnih steklenih polic ne čistite z vročo vodo. Zaradi nenadne spremembe temperature se lahko steklo zlomi.
- ▶ Ne dotikajte se notranjosti zamrzovalnega predela, zlasti z mokrimi rokami, saj lahko vaše roke primrznejo na površino.
- ▶ V primeru ogrevanja preverite stanje zamrznjenega blaga.



- ▶ Tesnilo na vratih naj bo vedno čisto.
- ▶ Očistite notranjost in ohišje aparata z gobo, navlaženo v topli vodi in nevtralnem čistilu.
- ▶ 1. Z mehko brisačo ali gobico, namočeno v toplo vodo (v toplo vodo lahko dodate nevtralen detergent), obrišite notranjost in zunanost hladilnika, vključno s tesnilom na vratih, stojalom za vrata, steklenimi policami, posodami in podobno.
- ▶ 2. Če pride do razlitja tekočine, odstranite vse kontaminirane dele, neposredno jih sperite s tekočo vodo, posušite in vrnite v hladilnik.
- ▶ 3. Če pride do razlitja kremaste snovi (na primer smetana, stopljeni sladoled), odstranite vse kontaminirane dele, za nekaj časa postavite v toplo vodo s temperaturo približno 40 °C, nato sperite s tekočo vodo, posušite in vrnite nazaj v hladilnik.
- ▶ 4. Če se majhen del ali komponenta zatakne v hladilniku (med policami ali predali), ga odstranite z majhno mehko krtačo. Če dela ne dosežete, se obrnite na servis Haier.
- ▶ Sperite in posušite z mehko krpo.
- ▶ Nobenega dela aparata ne čistite v pomivalnem stroju.
- ▶ Pred ponovnim zagonom aparata počakajte vsaj 5 minut, saj lahko pogosto zaganjanje poškoduje kompresor.



Odmrzovanje

Odmrzovanje hladilnika in zamrzovalnega predela se opravi samodejno; ročno poseganje ni potrebno.

Menjava luči LED



OPOZORILO!

LED-lučke ne smete zamenjati sami, zamenjati jo sme le proizvajalec ali pooblaščen servisier.

Luči kot vir svetlobe uporabljajo sijalke LED z nizko porabo energije in dolgo življenjsko dobo. Če pride do kakršnih koli nepravilnosti, se obrnite na službo za pomoč strankam. Glejte SLUŽBA ZA POMOČ STRANKAM.

Parametri luči:

Del	Lučka LED
Napetost	12 V
Največja moč	1,5 W
Specifikacije LED	White-2835
Razred učinkovitosti LED	G
Temperatura uporabe	-40~80 °C

HDPW7620*, HTW7620*

Del	Lučka LED
Napetost	12 V
Največja moč	8 W
Specifikacije LED	White-4014
Razred učinkovitosti LED	G
Temperatura uporabe	-30~60 °C

Dolgotrajna neuporaba

Če aparata ne uporabljate dalj časa in ne boste uporabljali načina Holiday za hladilnik: vso hrano odstranite; izklopite napajalni kabel; očistite aparat, kot je opisano zgoraj; vrata naj ostanejo odprta, da preprečite nastanek neprijetnega vonja.



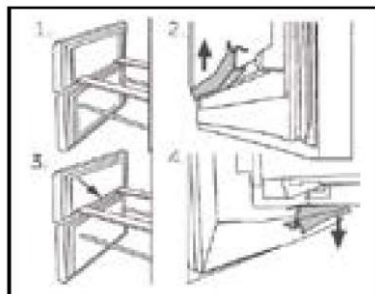
OBVESTILO

Aparat izklopite le, če je to nujno potrebno.

Odstranljiva pomožna tesnila vrat

Na zgornjem in spodnjem predalu zamrzovalnika je šest pomožnih tesnil vrat.

1. Poiščite pet označenih tesnil vrat na zgornjem in spodnjem predalu zamrzovalnika.
 2. Pri pritrdjevanju zagotovite, da so upognjeni kosi tesnil usmerjeni navznoter.
 3. Poiščite spodnje tesnilo zgornjega predala, kot je označeno.
 4. Pri pritrdjevanju zagotovite, da je upognjeni kos tesnila usmerjen navzdol.
- Ta tesnila in tesnila vrtljivih vrat/predalov dobite prek službe za pomoč strankam (glejte garancijski list).



Premikanje aparata

1. Odstranite vso hrano in izključite aparat.
2. Police in druge premične dele v hladilniku in zamrzovalniku pritrdite z lepilnim trakom.
3. Hladilnika ne nagibajte za več kot 45°, da ne poškodujete hladilnega sistema.



OPOZORILO!

- ▶ Aparata ne dvigujte za ročaje.
- ▶ Aparata nikoli ne postavljajte vodoravno na tla.

Številne težave, do katerih prihaja, bi lahko rešili sami brez posebnega strokovnega znanja. V primeru težav preverite vse prikazane možnosti in sledite spodnjim navodilom, preden se obrnete na servisno službo. Glejte SLUŽBA ZA POMOČ STRANKAM.



OPOZORILO!

- ▶ Pred vzdrževanjem izklopite aparat in odklopite vtič iz vtičnice.
- ▶ Električno opremo lahko servisirajo samo usposobljeni električarji, saj lahko nepravilna popravila povzročijo znatno posledično škodo.
- ▶ Če je napajalni kabel poškodovan, ga sme zamenjati samo proizvajalec, njegov servisni agent ali drug kvalificiran serviser, da preprečite morebitne nevarnosti.

Razpredelnica za odpravljanje težav

Težava	Možen vzrok	Možna rešitev
Kompresor ne deluje.	Omrežni vtič ni priključen v omrežno vtičnico.	Priključite glavni vtič.
	Aparat je v ciklu odmrzovanja.	To je normalno za avtomatsko odmrzovanje.
Aparat deluje prepogosto ali deluje predolgo.	Notranja ali zunanja temperatura je previsoka.	V tem primeru je običajno, da aparat deluje dlje.
	Aparat že nekaj časa ni vklopljen.	Običajno traja od 8 do 12 ur, da se aparat popolnoma ohladi.
	Vrata/predal aparata ni(so) tesno zaprt(a).	Zaprte vrata/predal in se prepričajte, da je aparat nameščen na ravni podlagi ter da hrana ali posoda ne ovira vrat.
	Vrata/predal je bil odprt prepogosto ali predolgo.	Vrat/predala ne odpirajte prepogosto.
	Nastavitev temperature v zamrzovalnem prostoru je prenizka.	Nastavite višjo temperaturo, dokler ni dosežena zadovoljiva temperatura hladilnika. Temperatura hladilnika postane stabilna po 24 urah delovanja.
	Tesnila vrat/predala so umazana, obrabljena, razpokana ali neustrezna.	Očistite tesnilo vrat/predala ali prosite službo za pomoč strankam, da ga zamenja.
Zahtevano kroženje zraka ni zagotovljeno.	Zagotovite ustrezno prezračevanje.	



Težava	Možen vzrok	Možna rešitev
Notranjost hladilnika je umazana in/ali ima neprijeten vonj.	Notranjost hladilnika je potrebno očistiti.	Očistite notranjost hladilnika.
	V hladilniku je shranjena hrana močnega vonja.	Hrano temeljito zavijte.
Znotraj aparata ni dovolj hladno.	Temperatura je nastavljena previsoko.	Ponastavite temperaturo.
	Shranjena je bila preveč topla hrana.	Živila pred shranjevanjem vedno ohladite.
	Naenkrat ste spravili preveč hrane.	Vedno shranjujte manjše količine hrane.
	Živila so preblizu skupaj.	Pustite razmik med živili, ki omogoča pretok zraka.
	Vrata/predal aparata ni(so) tesno zaprt(a).	Zaprte vrata/predal.
Znotraj aparata je prehladno.	Vrata/predal je bil odprt prepogosto ali predolgo.	Vrat/predala ne odpirajte prepogosto.
	Temperatura je nastavljena prenizko.	Ponastavite temperaturo.
Na notranji strani predela hladilnika nastaja vlaga.	Vklopljena je funkcija Super Freeze ali deluje predolgo.	Izklopite funkcijo Super Freeze.
	Zunanje okolje je pretoplo in prevlažno.	Povečajte temperaturo.
	Vrata/predal aparata ni(so) tesno zaprt(a).	Zaprte vrata/predal.
	Vrata/predal je bil odprt prepogosto ali predolgo.	Vrat/predala ne odpirajte prepogosto.
Vlaga se nabira na zunanji površini hladilnika ali med vrati in predalom.	Posode s hrano ali tekočine so ostale odprte.	Vročna hrana naj se ohladi na sobno temperaturo, hrano in tekočine pa zaprite.
	Zunanje okolje je pretoplo in prevlažno.	To je normalno v vlažnem podnebju in se bo spremenilo, ko se vlažnost zmanjša.
Ikone na zaslonu izmenično utripajo in hladilni sistem ne deluje.	Vrata/predal ni tesno zaprt.	Prepričajte se, da so/je vrata/predal tesno zaprt(a).
	Je v demo načinu	Hladilnik je priključen na napajanje Pritisnite in držite gumb »ZONE« ter petkrat kliknite gumb »Eco Mode«. Ikone bodo prenehale utripati.



Težava	Možen vzrok	Možna rešitev
Močan led in zmrzal v zamrzovalnem prostoru.	Živila niso bila ustrezno zapakirana.	Živila vedno dobro zapakirajte.
	Vrata/predal aparata ni(so) tesno zaprt(a).	Zaprite vrata/predal.
	Vrata/predal je bil odprt prepogosto ali predolgo.	Vrat/predala ne odpirajte prepogosto.
	Tesnila vrat/predala so umazana, obrabljena, razpokana ali neustrezna.	Očistite tesnilo vrat/predala ali ga zamenjajte z novim.
Aparat proizvaja nenormalne zvoke.	Nekaj na notranji strani preprečuje pravilno zapiranje vrat/predala.	Premaknite police, stojala na vratih ali notranje posode, da omogočite zapiranje vrat/predala.
	Aparat ni na ravni podlagi.	Nastavite noge, da poravnate aparat.
Slišati je mogoče rahel zvok, podoben zvoku pretakanja vode.	Aparat se dotika predmeta v njeni bližini.	Odstranite predmete okoli aparata.
	To je običajno.	/
Zaslišali boste pisk alarma.	Vrata hladilnega prostora so odprta.	Zaprite vrata ali ročno utišajte alarm.
Slišali boste rahlo brnenje.	Sistem proti kondenzaciji deluje.	To preprečuje kondenzacijo in je normalno.
Notranja razsvetljava ali hladilni sistem ne deluje.	Glavni vtič ni priključen v električni vtičnico.	Priključite glavni vtič.
	Napajanje ne deluje pravilno.	Preverite električno napajanje prostora. Pokličite lokalno elektro podjetje!
	Lučka LED ne deluje.	Za zamenjavo lučke pokličite servisno službo.
Strani hladilnika in trak na vratih se segrejejo.	To je običajno.	/
Iz lija dozirnika za vodo voda ne teče	Ključavnica ni izklopljena.	Izklopite ključavnico.



Prekinitev napajanja

- ▶ V primeru izpada električne energije naj bi hrana ostala varno hladna približno 13 ur. Upoštevajte te nasvete, če pride do daljše prekinitve napajanja, zlasti poleti:
- ▶ Čim manjkrat odprite vrata/predal.
- ▶ Med prekinitvijo napajanja v aparat ne vstavljajte dodatnih živil.
- ▶ Če ste predhodno obveščeni o prekinitvi napajanja in je trajanje prekinitve daljše od 13 ur, naredite nekaj ledenih kock in jih postavite v posodo na zgornji polico predela hladilnika.
- ▶ Takoj po prekinitvi je treba živila pregledati.
- ▶ Ker bo temperatura v hladilniku med prekinitvijo napajanja ali drugo okvaro narasla, se obdobje shranjevanja in užitnosti hrane skrajša. Takoj za tem je vsako hrano, ki se odtaja, treba zaužiti ali skuhati in znova zamrzniti (kjer je to primerno), da se prepreči tveganje za zdravje.



OBVESTILO

Funkcija pomnilnika med prekinitvijo napajanja

Po ponovni vzpostavitvi napajanja aparat deluje z nastavitvami, ki so bile nastavljene pred izpadom napajanja.

Če se želite obrniti na tehnično pomoč, obiščite naše spletno mesto:

<https://corporate.haier-eu-roe.com/en/>

V razdelku »spletno mesto« izberite blagovno znamko izdelka in državo.

Preusmerjeni boste na določeno spletno mesto, kjer lahko poiščete telefonsko številko in druge načine za stik s tehnično pomočjo.

Razpakiranje



OPOZORILO!

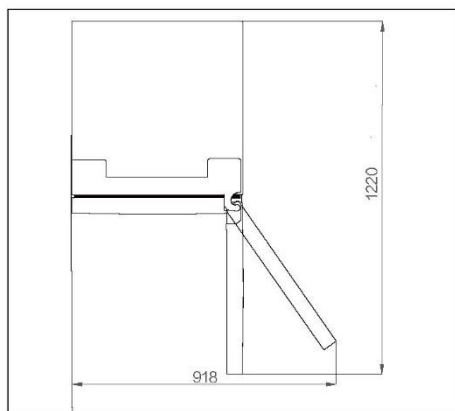
- ▶ Aparat je težak. Prenašata ga naj vsaj dve osebi.
- ▶ Vso embalažo hranite izven dosega otrok in jo zavržite na okolju prijazen način.
- ▶ Vzemite aparat iz embalaže.
- ▶ Odstranite vso embalažo.

Okoljski pogoji

Temperatura v prostoru mora biti vedno med 10 °C in 43 °C, saj lahko vpliva na temperaturo v napravi in porabo energije. Aparata ne nameščajte brez izolacije v bližini drugih naprav, ki oddajajo toploto (pečice, hladilniki).

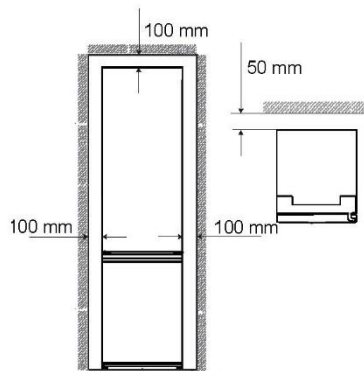
Prostorske zahteve

Potreben prostor ob odpiranju vrat.



Prezračevanje v prerezu

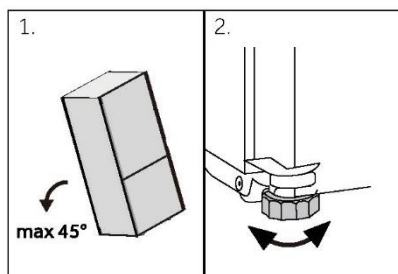
Da bi iz varnostnih razlogov dosegli zadostno prezračevanje naprave, je treba upoštevati informacije o zahtevanih normah prezračevanja.

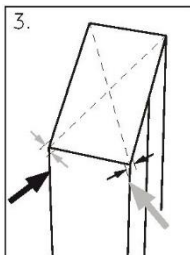


Poravnava aparata

Aparat naj bo postavljen na ravno in trdno površino.

1. Hladilnik rahlo nagnite nazaj.
 2. Noge nastavite na želeno raven.
- Prepričajte se, da je razdalja do stene na strani tečaja vsaj 100 mm, da se lahko vrata normalno odprejo.

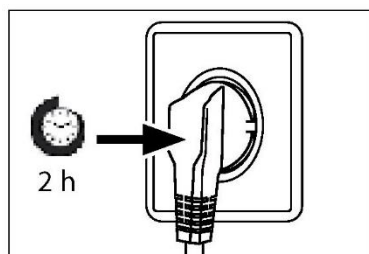




1. Stabilnost lahko preverite z izmeničnim pomikanjem po diagonalah. Rahlo zibanje mora biti enako v obe smeri. V nasprotnem primeru se okvir lahko deformira; rezultat je morebitno puščanje tesnil vrat. Rahel nagib nazaj olajša zapiranje vrat.

i OBVESTILO

Za prostostoječi aparat: ta hladilnik ni namenjen uporabi kot vgradni hladilnik



Čas čakanja

Mazalno olje, ki ga ni treba vzdrževati, je v kapsuli kompresorja. Če je aparat nagnjen, lahko to olje med transportom steče skozi zaprt cevni sistem. Preden aparat priključite na napajanje, počakajte vsaj 2 uri, da olje priteče nazaj v kapsulo.

Priključitev v električno omrežje

Pred vsako priključitvijo preverite, ali:

- ▶ so napajanje, vtičnica in varovalke skladni s tipsko tablico,
- ▶ je vtičnica ozemljena in da v bližini ni podaljška z več vtičnicami ali kablskega podaljška,
- ▶ sta vtič in vtičnica pravilno nameščena.

Vtič priključite v pravilno nameščeno gospodinjsko vtičnico.



OPOZORILO!

Da bi se izognili tveganju, mora servis zamenjati poškodovan napajalni kabel (glejte garancijski list).

Sprememba smeri odpiranja vrat

Pred priključitvijo aparata na napajanje preverite, ali je treba nihanje vrat zamenjati z desne (stanje ob dobavi) na levo, če je to potrebno zaradi mesta namestitve in uporabnosti.



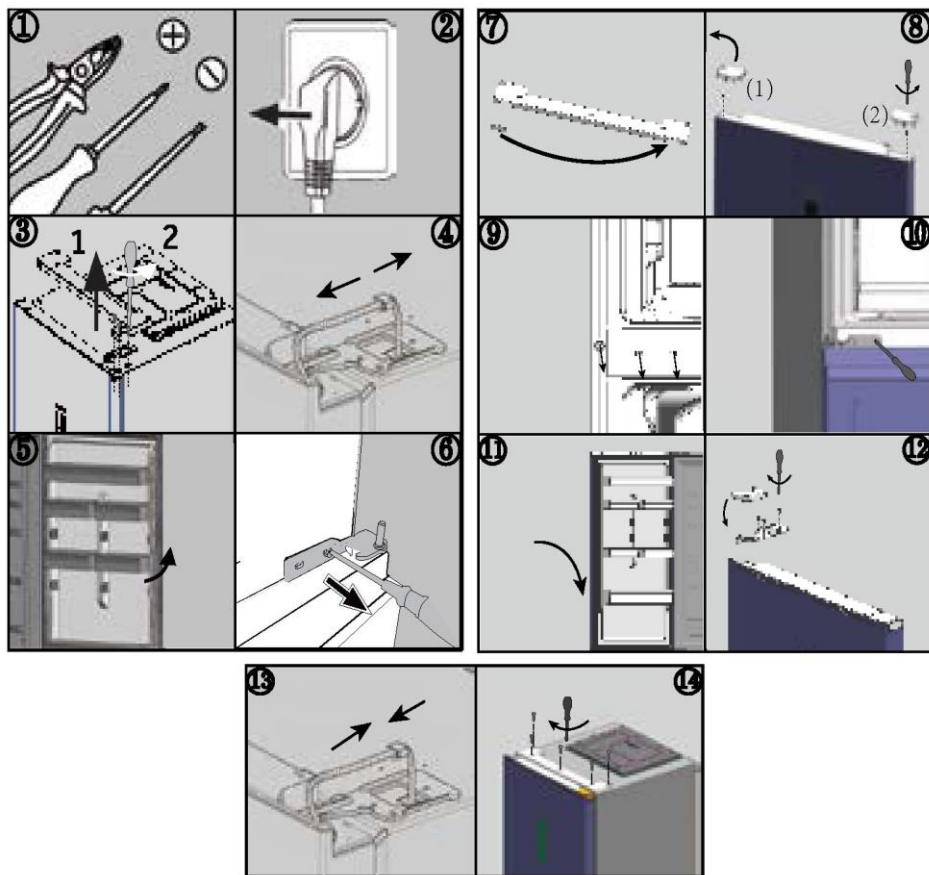
OPOZORILO!

- ▶ Aparat je težak. Za spremembo smeri odpiranja vrat sta potrebni dve osebi.
- ▶ Pred kakršnim koli delom najprej izklopite aparat iz električnega omrežja.
- ▶ Aparata ne nagibajte za več kot 45 °C, da preprečite poškodbe hladilnega sistema.

Koraki sestavljanja

1. Zagotovite potrebno orodje.
2. Izklopite aparat.
3. Odstranite pokrov zgornjega tečaja 1 in odvijte zgornji tečaj (trije vijaki) na desni strani 2.
4. Izklopite priključni kabel.
5. Previdno dvignite vrata hladilnika s srednjega tečaja.
6. Odstranite srednji tečaj.
7. Premaknite majhen pokrov sprednje plošče z leve na desno stran.
8. Obrnite vrata na glavo in odvijte pokrov (1). Iz vrečke z dodatki vzemite nov pokrov (2) in ga privijte na nasprotno stran.
9. Zamenjajte položaje slepih čepov in vijaka na strani.
10. Privijte srednji tečaj na levo stran aparata. Bodite pozorni na obračanje vrtenja srednjega tečaja in se prepričajte, da je stran s tesnilom obrnjena navzgor.
11. Previdno dvignite zgornja vrata s srednjega tečaja. Prepričajte se, da se vrtljiva os prilega cevi tečaja spodnjih vrat.
12. Iz vrečke z dodatki vzemite nov zgornji tečaj in pokrov tečaja. Priključni kabel speljite skozi zgornji tečaj in pritrdite zgornji tečaj s tremi vijaki na levi strani aparata. Namestite pokrov tečaja na tečaj.
13. Priključite priključni kabel.
14. Namestite sprednjo ploščo in jo pritrdite s petimi vijaki.

Po menjavi vrat preverite, ali so tesnila vrat pravilno nameščena na ohišju in so vsi vijaki dobro priviti.



Sobne temperature

Razširjeno zmerno: ta hladilni aparat je namenjen uporabi pri sobni temperaturi od 10 do 32 °C.

Zmerno: ta hladilni aparat je namenjen uporabi pri sobni temperaturi od 16 do 32 °C.

Subtropsko: ta hladilni aparat je namenjen uporabi pri sobni temperaturi od 16 do 38 °C.

Tropsko: ta hladilni aparat je namenjen za uporabo pri sobni temperaturi od 16 °C do 43 °C.

**Parametri izdelka v skladu z Uredbo (EU) 2019/2016**

Na podlagi 24-urnih standardnih testnih rezultatov. Dejanska poraba energije bo odvisna od načina uporabe aparata in njenegove lokacije

Model	HTW5618DN*	HTW5620DN*	HTW5618EN*
Vrsta hladilnega aparata	Hladilnik-zamrzovalnik	Hladilnik-zamrzovalnik	Hladilnik-zamrzovalnik
Razred energijske učinkovitosti	D	D	E
Letna poraba energije (kWh/leto)	217	226	271
Prostornina predela hladilnika (L)	201	255	201
Prostornina predela zamrzovalnika (L)	125	125	125
Prostornina hladilnega prostora (L)	34	34	34
Razred zamrzovanja	4 zvezdice	4 zvezdice	4 zvezdice
Vrsta odtajanja	Samodejno odtajanje	Samodejno odtajanje	Samodejno odtajanje
Čas dviga temperature (h)	13	13	11
Zmogljivost zamrzovanja (kg/24h)	10,0	10,0	10,0
Klimatski razred	SN.N.ST.T	SN.N.ST.T	SN.N.ST.T
Razred emisij hrupa in emisije akustičnega hrupa v zraku (dB(A) re 1 pW)	B(35)	B(35)	B(35)



Model	HTW5618CN*	HTW5620CN*	HTW5620EN*
Vrsta hladilnega aparata	Hladilnik-zamrzovalnik	Hladilnik-zamrzovalnik	Hladilnik-zamrzovalnik
Razred energijske učinkovitosti	C	C	E
Letna poraba energije (kWh/leto)	173	181	283
Prostornina predela hladilnika (L)	201	255	255
Prostornina predela zamrzovalnika (L)	125	125	125
Prostornina hladilnega prostora (L)	34	34	34
Razred zamrzovanja	4 zvezdice	4 zvezdice	4 zvezdice
Vrsta odtajanja	Samodejno odtajanje	Samodejno odtajanje	Samodejno odtajanje
Čas dviga temperature (h)	13	13	11
Zmogljivost zamrzovanja (kg/24h)	10,0	10,0	10,0
Klimatski razred	SN.N.ST.T	SN.N.ST.T	SN.N.ST.T
Razred emisij hrupa in emisije akustičnega hrupa v zraku (dB(A) re 1 pW)	B(35)	B(35)	B(35)



Model	HDPW5618DN*	HDPW5620DN* HDPW3620DN*	HTW7620CN*
Vrsta hladilnega aparata	Hladilnik-zamrzovalnik	Hladilnik-zamrzovalnik	Hladilnik-zamrzovalnik
Razred energijske učinkovitosti	D	D	C
Letna poraba energije (kWh/leto)	214	220	181
Prostornina predela hladilnika (L)	201	255	255
Prostornina predela zamrzovalnika (L)	117	117	125
Prostornina hladilnega prostora (L)	34	34	34
Razred zamrzovanja	4 zvezdice	4 zvezdice	4 zvezdice
Vrsta odtajanja	Samodejno odtajanje	Samodejno odtajanje	Samodejno odtajanje
Čas dviga temperature (h)	13	13	13
Zmogljivost zamrzovanja (kg/24h)	10,0	10,0	10,0
Klimatski razred	SN.N.ST.T	SN.N.ST.T	SN.N.ST.T
Razred emisij hrupa in emisije akustičnega hrupa v zraku (dB(A) re 1 pW)	B(35)	B(35)	B(35)



Model	HDPW3618DN*	HDPW3620CN*	HTW3620DN*
Vrsta hladilnega aparata	Hladilnik-zamrzovalnik	Hladilnik-zamrzovalnik	Hladilnik-zamrzovalnik
Razred energijske učinkovitosti	D	C	D
Letna poraba energije (kWh/leto)	214	176	226
Prostornina predela hladilnika (L)	201	255	255
Prostornina predela zamrzovalnika (L)	117	117	125
Prostornina hladilnega prostora (L)	34	34	34
Razred zamrzovanja	4 zvezdice	4 zvezdice	4 zvezdice
Vrsta odtajanja	Samodejno odtajanje	Samodejno odtajanje	Samodejno odtajanje
Čas dviga temperature (h)	13	13	13
Zmogljivost zamrzovanja (kg/24h)	10,0	10,0	10,0
Klimatski razred	SN.N.ST.T	SN.N.ST.T	SN.N.ST.T
Razred emisij hrupa in emisije akustičnega hrupa v zraku (dB(A) re 1 pW)	B(35)	B(35)	B(35)



Model	HDPW5618CN*	HDPW5620CN*	HDPW5620AN* HDPW7620AN*
Vrsta hladilnega aparata	Hladilnik-zamrzovalnik	Hladilnik-zamrzovalnik	Hladilnik-zamrzovalnik
Razred energijske učinkovitosti	C	C	A
Letna poraba energije (kWh/leto)	171	176	114
Prostornina predela hladilnika (L)	201	255	255
Prostornina predela zamrzovalnika (L)	117	117	120
Prostornina hladilnega prostora (L)	34	34	34
Razred zamrzovanja	4 zvezdice	4 zvezdice	4 zvezdice
Vrsta odtajanja	Samodejno odtajanje	Samodejno odtajanje	Samodejno odtajanje
Čas dviga temperature (h)	13	13	16
Zmogljivost zamrzovanja (kg/24h)	10,0	10,0	10,0
Klimatski razred	SN.N.ST.T	SN.N.ST.T	SN.N.ST.T
Razred emisij hrupa in emisije akustičnega hrupa v zraku (dB(A) re 1 pW)	B(35)	B(35)	B(35)



Model	HDPW5620BN*	HTW7620DN*	HDPW7620AAN*
Vrsta hladilnega aparata	Hladilnik-zamrzovalnik	Hladilnik-zamrzovalnik	Hladilnik-zamrzovalnik
Razred energijske učinkovitosti	B	D	A
Letna poraba energije (kWh/leto)	142	226	92
Prostornina predela hladilnika (L)	255	255	255
Prostornina predela zamrzovalnika (L)	120	125	120
Prostornina hladilnega prostora (L)	34	34	34
Razred zamrzovanja	4 zvezdice	4 zvezdice	4 zvezdice
Vrsta odtajanja	Samodejno odtajanje	Samodejno odtajanje	Samodejno odtajanje
Čas dviga temperature (h)	13	13	16
Zmogljivost zamrzovanja (kg/24h)	10,0	10,0	12,0
Klimatski razred	SN.N.ST.T	SN.N.ST.T	SN.N.ST.T
Razred emisij hrupa in emisije akustičnega hrupa v zraku (dB(A) re 1 pW)	B(35)	B(35)	B(35)



Model	HTW5618DW*		
Vrsta hladilnega aparata	Hladilnik-zamrzovalnik		
Razred energijske učinkovitosti	D		
Letna poraba energije (kWh/leto)	216		
Prostornina predela hladilnika (L)	198		
Prostornina predela zamrzovalnika (L)	125		
Prostornina hladilnega prostora (L)	34		
Razred zamrzovanja	4 zvezdice		
Vrsta odtajanja	Samodejno odtajanje		
Čas dviga temperature (h)	13		
Zmogljivost zamrzovanja (kg/24h)	10,0		
Klimatski razred	SN.N.ST.T		
Razred emisij hrupa in emisije akustičnega hrupa v zraku (dB(A) re 1 pW)	B(35)		



Dodatni tehnični podatki

Model	HTW5618DN*	HTW5618EN*	HTW5620DN*
Skupna prostornina (L)	360	360	414
Napetost/frekvenca	220-240 V / 50 Hz	220-240 V / 50 Hz	220-240 V / 50 Hz
priključni tok (A)	1,4	1,4	1,4
Glavna varovalka (A)	16	16	16
Hladilno sredstvo	R600a(53g)	R600a(53g)	R600a(53g)
Mere (Š/G/V v mm)	595*667*1850	595*667*1850	595*667*2050

Model	HTW5618CN*	HTW5620CN*	HTW5620EN*
Skupna prostornina (L)	360	414	414
Napetost/frekvenca	220-240 V / 50 Hz	220-240 V / 50 Hz	220-240 V / 50 Hz
priključni tok (A)	1,4	1,4	1,4
Glavna varovalka (A)	15	15	16
Hladilno sredstvo	R600a(50g)	R600a(50g)	R600a(53g)
Mere (Š/G/V v mm)	595*667*1850	595*667*2050	595*667*2050



Model	HDPW5618DN*	HDPW5620DN*	HDPW3620DN*
Skupna prostornina (L)	352	406	406
Napetost/frekvenca	220-240 V / 50 Hz	220-240 V / 50 Hz	220-240 V / 50 Hz
priključni tok (A)	1,4	1,4	1,4
Glavna varovalka (A)	16	16	16
Hladilno sredstvo	R600a(53g)	R600a(53g)	R600a(53g)
Mere (Š/G/V v mm)	595*667*1850	595*667*2050	595*667*2050

Model	HDPW5618CN*	HDPW5620CN*	HDPW5620AN*
Skupna prostornina (L)	352	406	409
Napetost/frekvenca	220-240 V / 50 Hz	220-240 V / 50 Hz	220-240 V / 50 Hz
priključni tok (A)	1,4	1,4	1,4
Glavna varovalka (A)	15	15	16
Hladilno sredstvo	R600a(50g)	R600a(50g)	R600a(50g)
Mere (Š/G/V v mm)	595*667*1850	595*667*2050	595*667*2050



Dodatni tehnični podatki

Model	HDPW3618DN*	HDPW3620CN*	HTW3620DN*
Skupna prostornina (L)	352	406	414
Napetost/frekvenca	220-240 V / 50 Hz	220-240 V / 50 Hz	220-240 V / 50 Hz
priključni tok (A)	1,4	1,4	1,4
Glavna varovalka (A)	16	15	16
Hladilno sredstvo	R600a(53g)	R600a(50g)	R600a(53g)
Mere (Š/G/V v mm)	595*667*1850	595*667*2050	595*667*2050

Model	HDPW7620AAN*	HDPW5620BN*	HDPW7620AN*
Skupna prostornina (L)	409	409	409
Napetost/frekvenca	220-240 V / 50 Hz	220-240 V / 50 Hz	220-240 V / 50 Hz
priključni tok (A)	1,4	1,4	1,4
Glavna varovalka (A)	16	16	16
Hladilno sredstvo	R600a(55g)	R600a(50g)	R600a(50g)
Mere (Š/G/V v mm)	595*667*2050	595*667*2050	595*667*2050

**Dodatni tehnični podatki**

Model	HTW7620DN*	HTW7620CN*	HTW5618DW*
Skupna prostornina (L)	414	414	357
Napetost/frekvenca	220-240 V / 50 Hz	220-240 V / 50 Hz	220-240 V / 50 Hz
priključni tok (A)	1,4	1,4	1,4
Glavna varovalka (A)	16	15	16
Hladilno sredstvo	R600a(53g)	R600a(50g)	R600a(53g)
Mere (Š/G/V v mm)	595*667*2050	595*667*2050	595*667*1850



Priporočamo našo službo za pomoč strankam Haier in uporabo originalnih nadomestnih delov.

Če imate težave z aparatom, najprej preverite poglavje ODPRAVLJANJE TEŽAV.

Če tam ne najdete rešitve, se obrnite na

- ▶ lokalnega prodajalca ali
- ▶ naš evropski klicni servisni center (glejte spodaj navedene telefonske številke) ali
- ▶ razdelek Servis in podpora na spletnem mestu www.haier.com, kjer lahko oddate zahtevek
- ▶ za servis in poiščete odgovore na pogosto postavljena vprašanja.

Če se želite obrniti na naš servis, se prepričajte, da imate na voljo naslednje podatke. Podatke najdete na tipski tablici.

Model _____

Serijska št. _____

V primeru uveljavljanja garancije preverite tudi garancijsko kartico, ki je priložena izdelku.

Evropski center za klicne storitve		
Država*	Telefonska številka	Stroški
Haier Italy (IT)	199 100 912	
Haier Spain (ES)	902 509 123	
Haier Germany (DE)	0180 5 39 39 99	<ul style="list-style-type: none"> • 14 centov/min, stacionarno omrežje • največ 42 centov/min, mobilno omrežje
Haier Austria (AT)	0820 001 205	<ul style="list-style-type: none"> • 14,53 centa/min, stacionarno omrežje • največ 20 centov/min, vsa ostala omrežja
Haier United Kingdom (UK)	0333 003 8122	
Haier France (FR)	0980 406 409	



* Za druge države glejte www.haier.com

Haier Europe Trading S.r.l

Branch UK

Westgate House, Westgate, Ealing

London, W5 1YY

*Trajanje garancije hladilnega aparata:

Minimalno garancijsko obdobje je: 2 leti za države EU, 3 leta za Turčijo, 1 leto za Združeno kraljestvo, 1 leto za Rusijo, 3 leta za Švedsko, 2 leti za Srbijo, 5 let za Norveško, 1 leto za Maroko, 6 mesecev za Alžirijo, za Tunizijo pravna garancija ni potrebna.

*Obdobje razpoložljivosti rezervnih delov za popravilo aparata:

Termostati, temperaturni senzorji, tiskana vezja in svetlobni viri so na voljo najmanj sedem let po tem, ko je bila na trg dostavljena zadnja enota modela.

Ključavnice, tečaji vrat, pladnji in košare najmanj sedem let, tesnila vrat pa najmanj 10 let po tem, ko je bila na trg dostavljena zadnja enota modela.

*Za dodatne informacije o izdelku obiščite spletno mesto

<https://eprel.ec.europa.eu/> ali optično preberite kodo QR na energijski nalepki, priloženi aparatu.



Haier

2023 Version A



0060534356