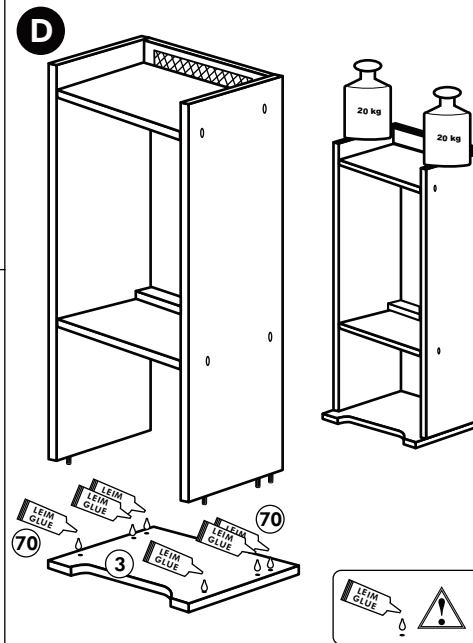
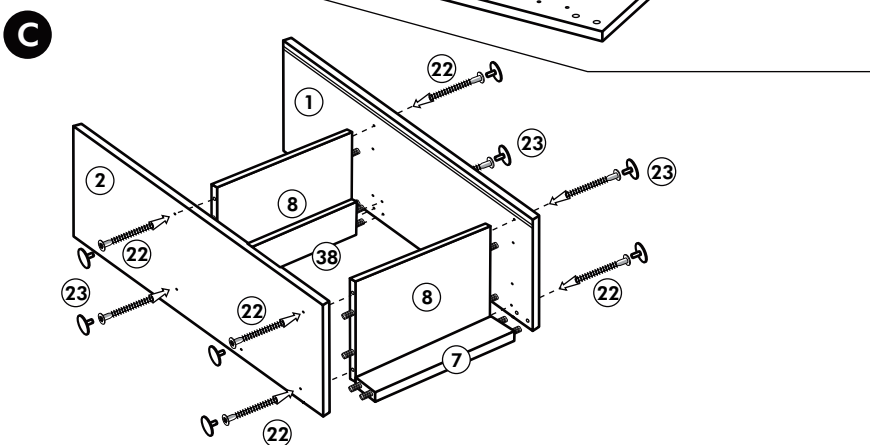
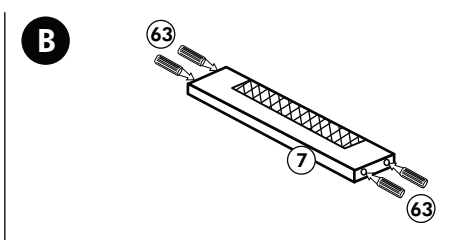
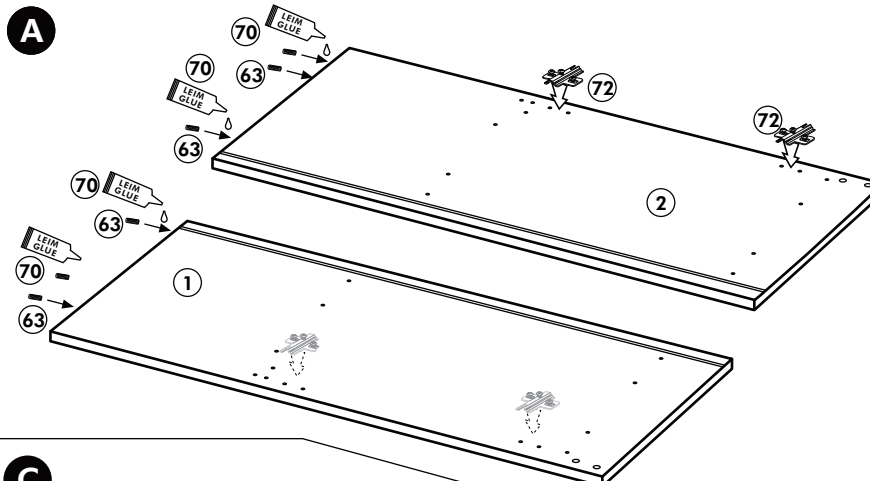
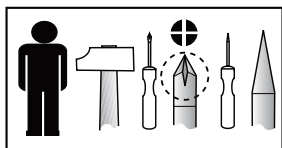
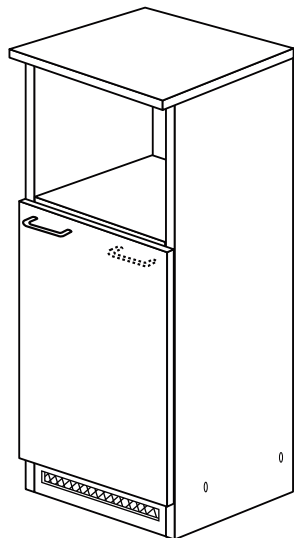
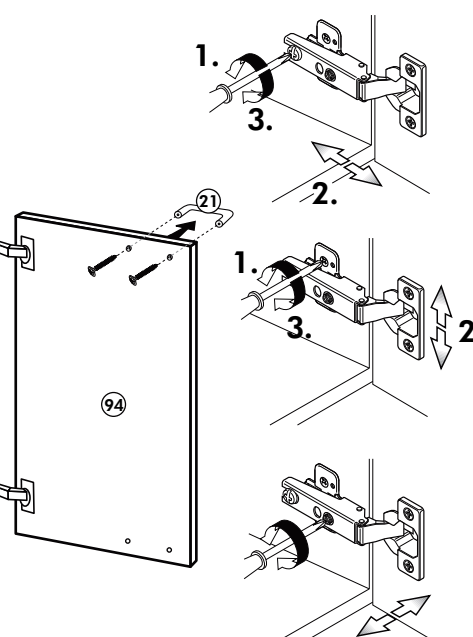
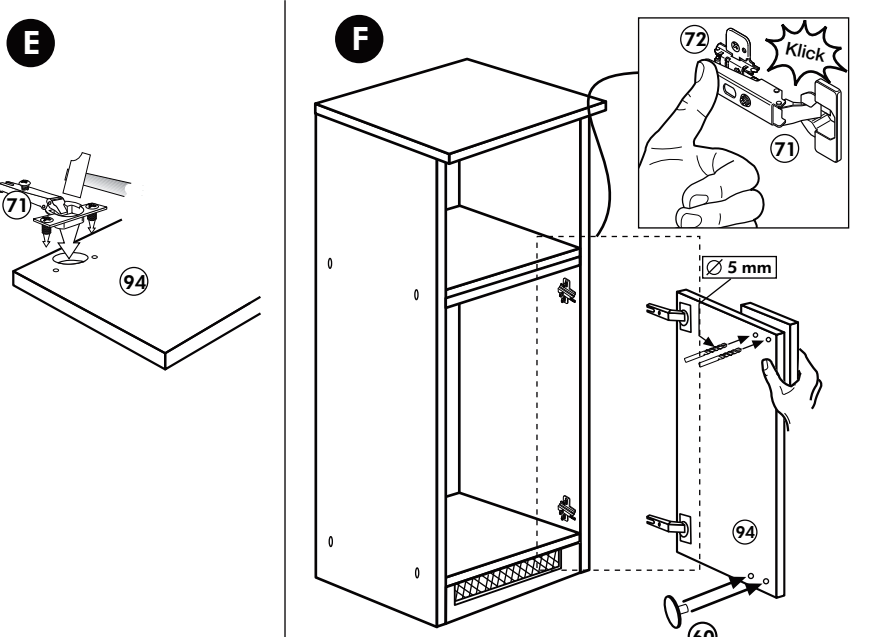


# Back-/Kühlumbau 165cm

Nr. 318 Rev.00

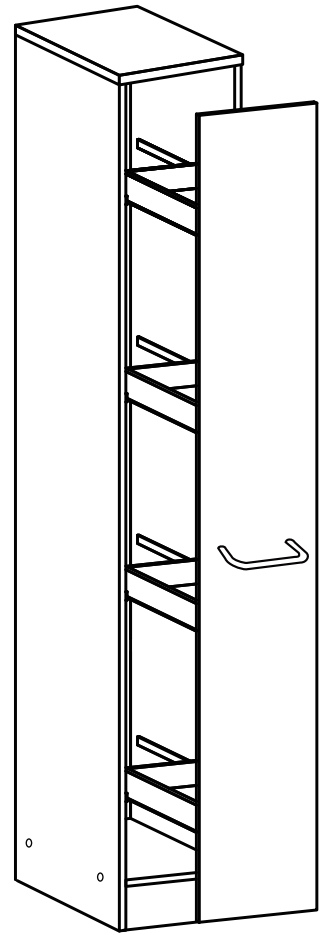
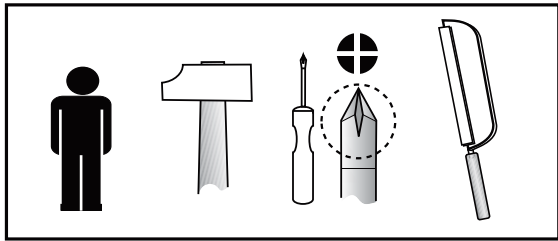


|       |       |      |                |
|-------|-------|------|----------------|
| 1x 1  | 1x 2  | 1x 7 | 22             |
| 1x 3  | 1x 38 | 26   | 8x             |
| 1x 94 | 2x 8  | 60   | 2x 4,0 x 30 M4 |
|       |       | 72   | 2x Ø 3         |
|       |       | 21   | 2x Ø 5         |
|       |       | 70   | 1x LEIM GLUE   |
|       |       | 71   | 2x             |
|       |       | 63   | 10x 8 x 30     |



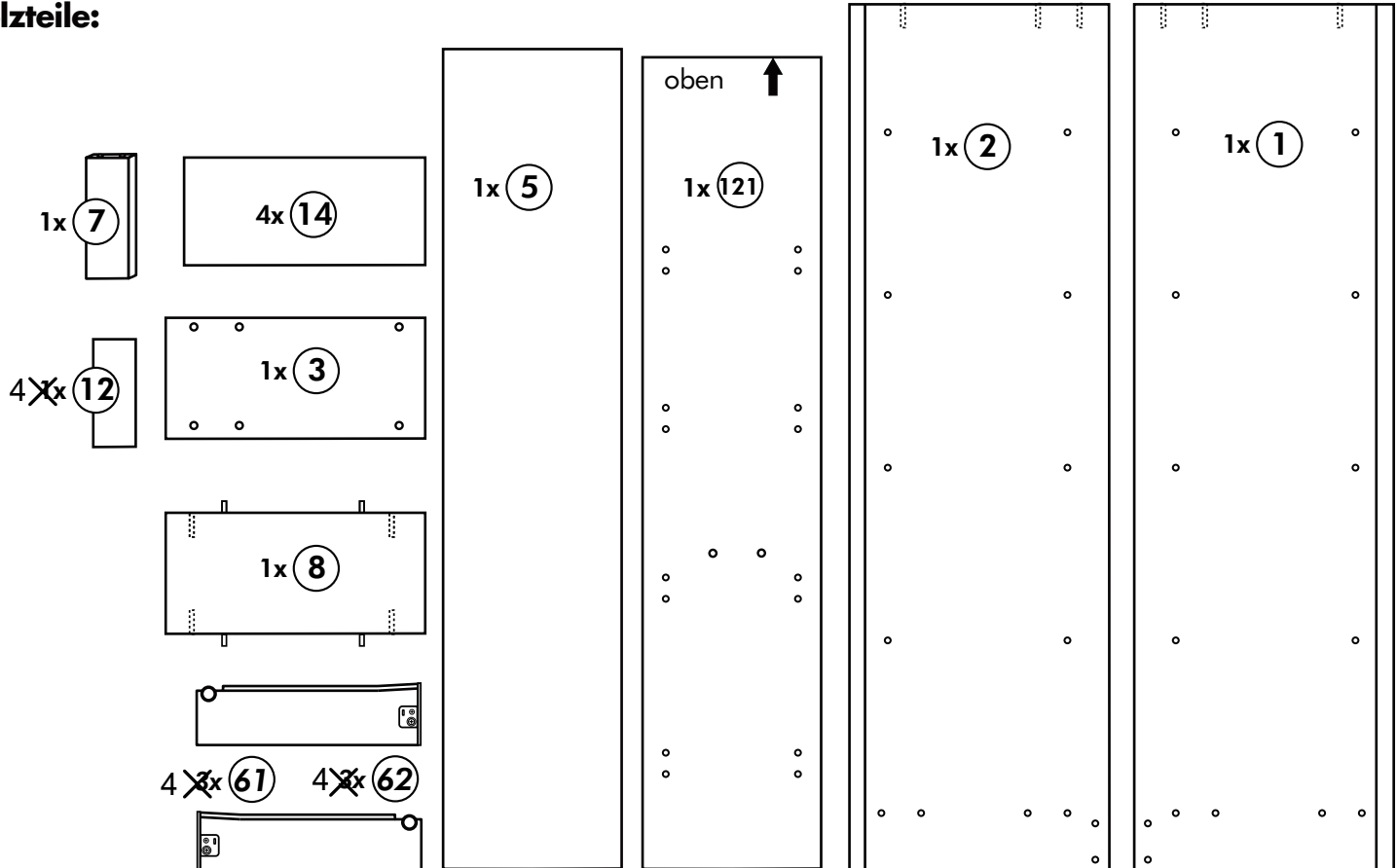
# Apothekerschrank 165 cm

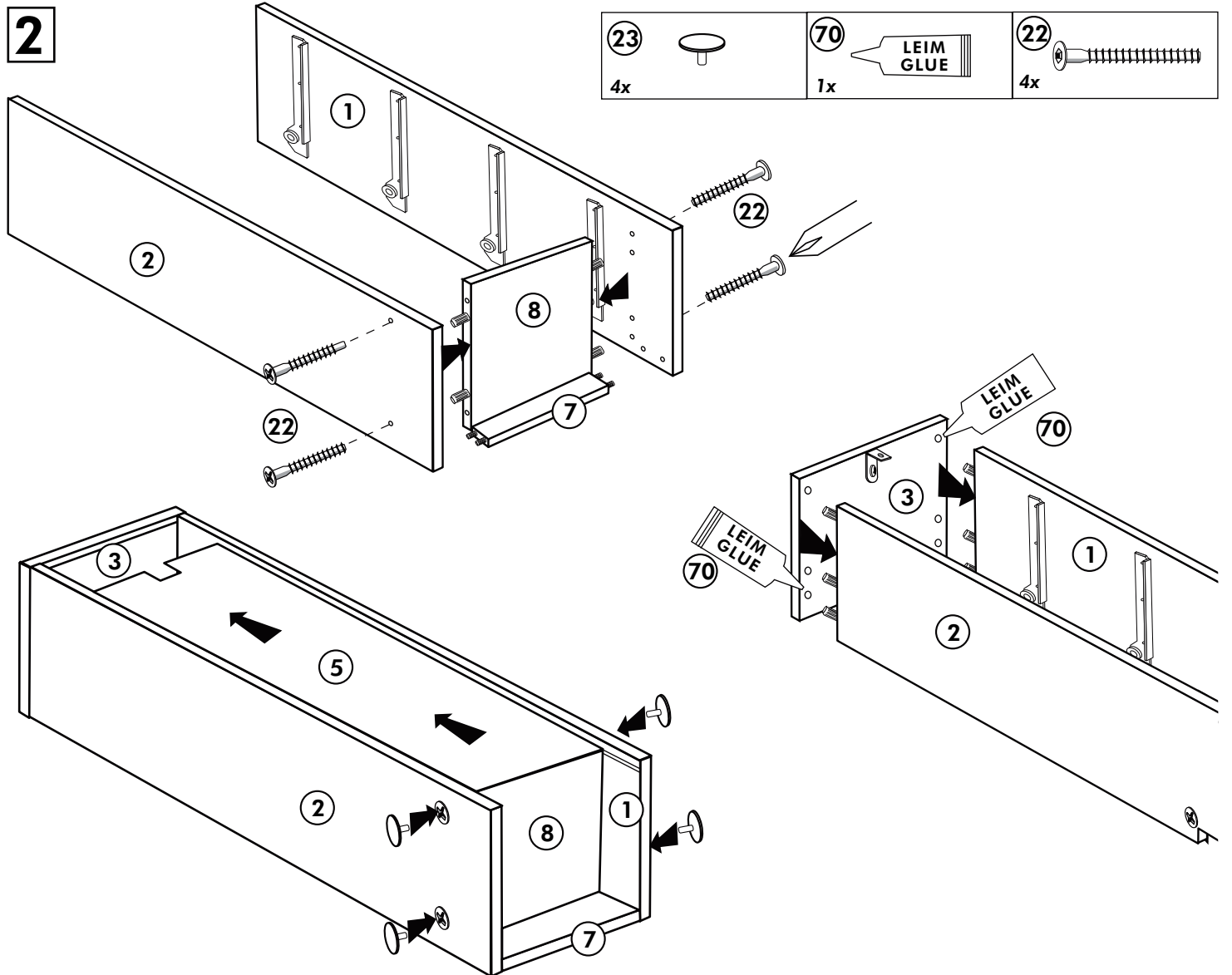
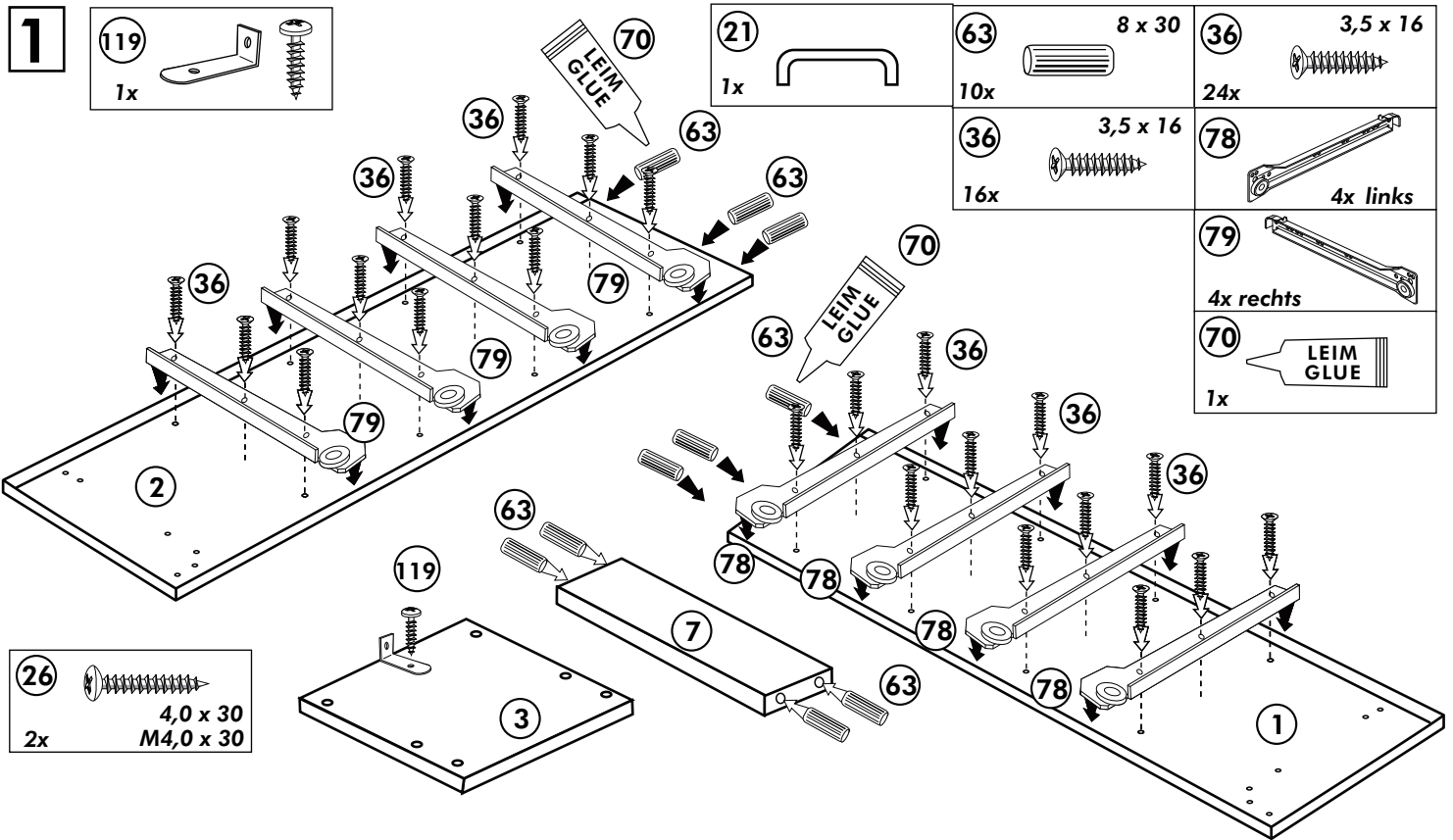
Nr. 306 Rev.01



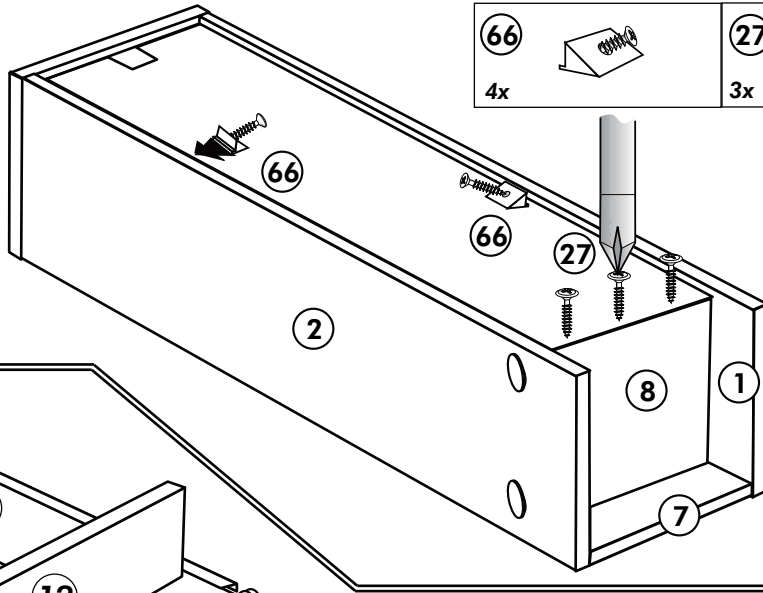
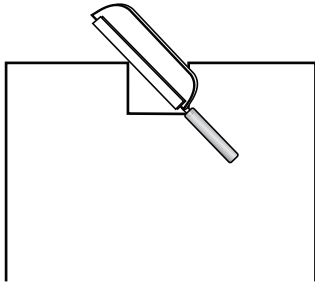
|                                 |                                   |                             |                        |                            |                              |
|---------------------------------|-----------------------------------|-----------------------------|------------------------|----------------------------|------------------------------|
| <b>70</b><br>LEIM<br>GLUE<br>1x | <b>26</b><br>4,0 x 30<br>M4<br>2x | <b>78</b><br>4x links       | <b>79</b><br>4x rechts | <b>22</b><br>4x            | <b>36</b><br>3,5 x 16<br>64x |
| <b>23</b><br>4x                 | <b>21</b><br>1x                   | <b>27</b><br>3,0 x 20<br>3x | <b>119</b><br>1x       | <b>63</b><br>8 x 30<br>10x | <b>66</b><br>4x              |

## Holzteile:





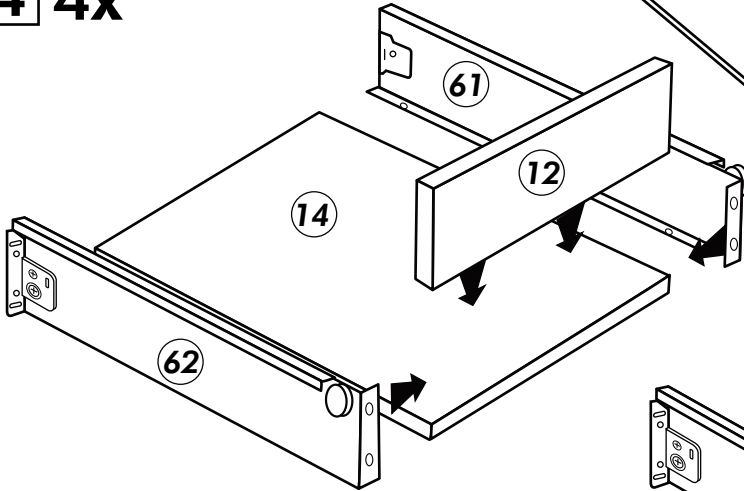
3



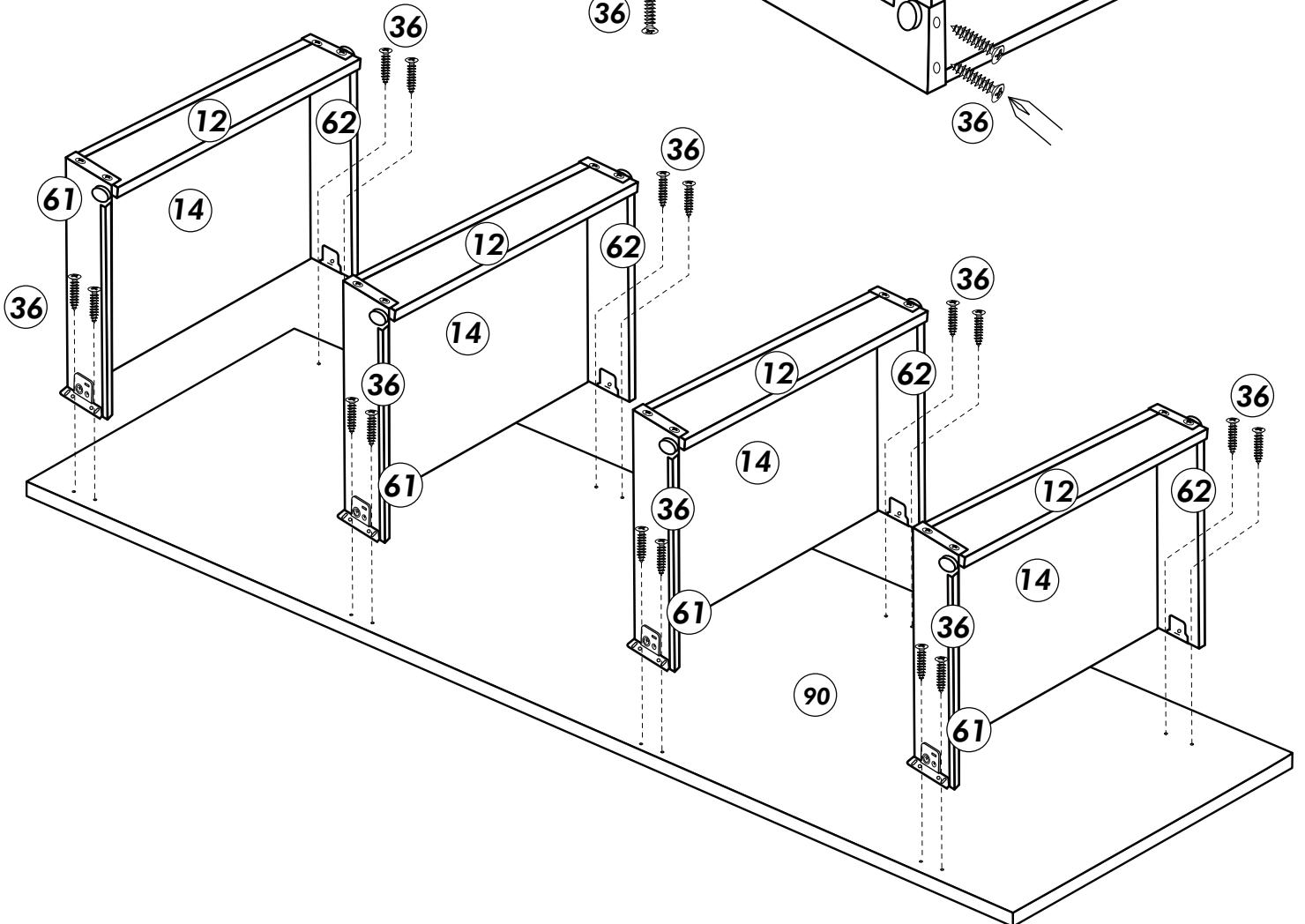
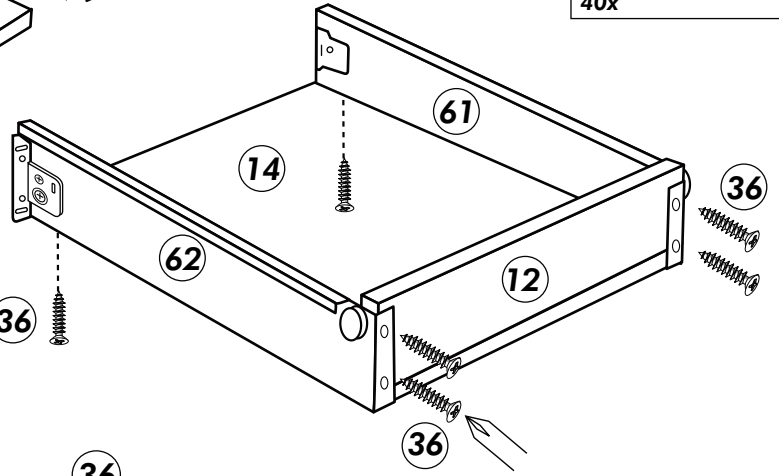
66  
4x

27 3,0 x 20  
3x

4 4x



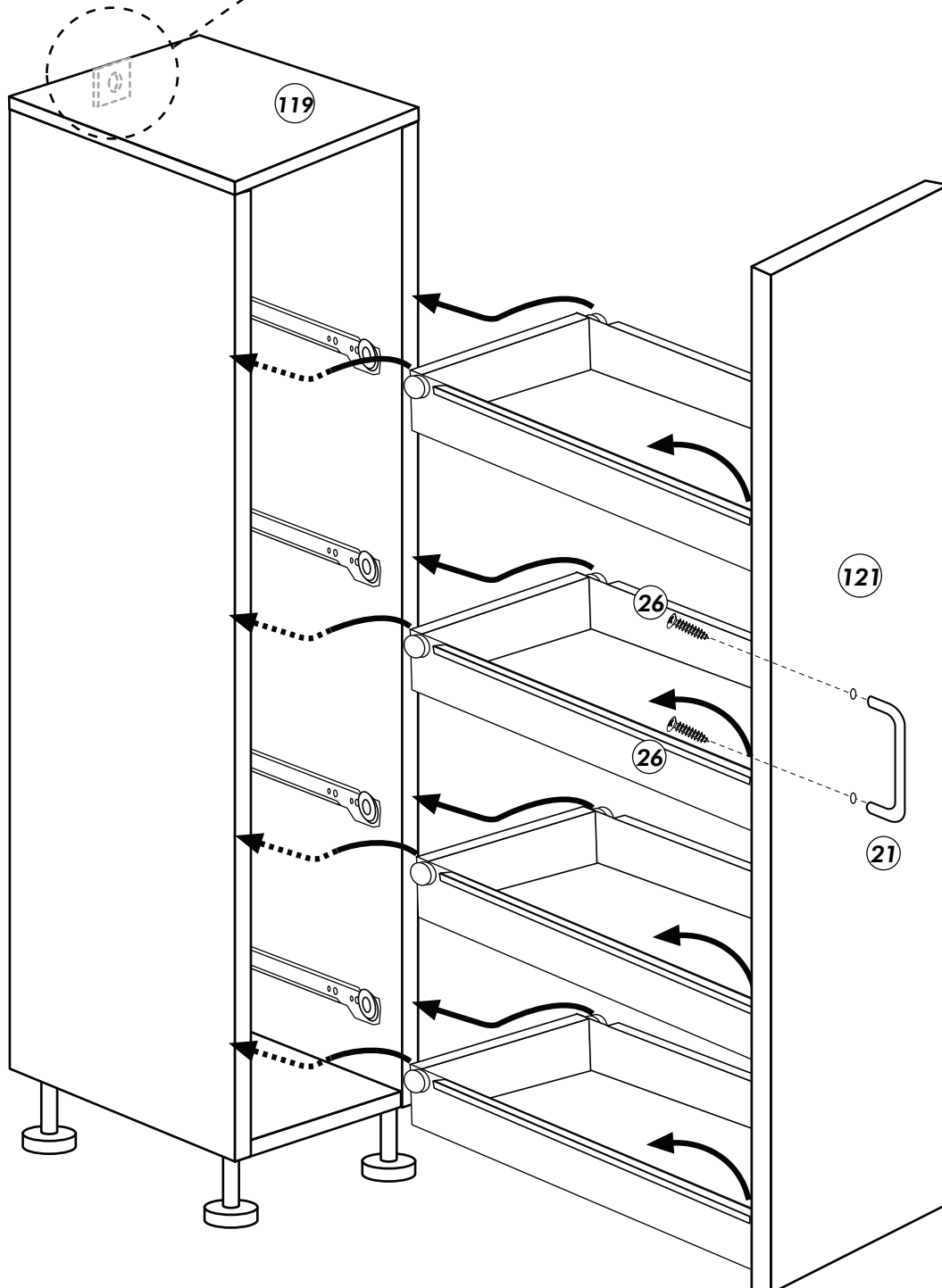
36 3,5 x 16  
40x

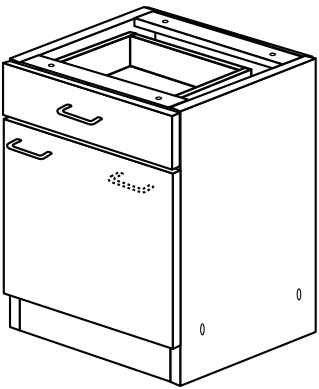


5



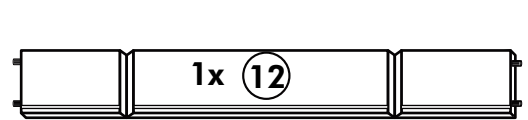
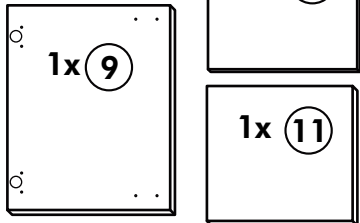
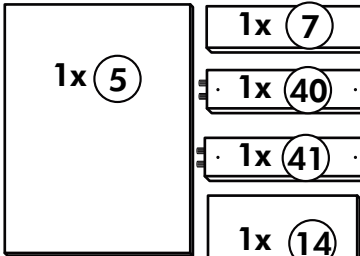
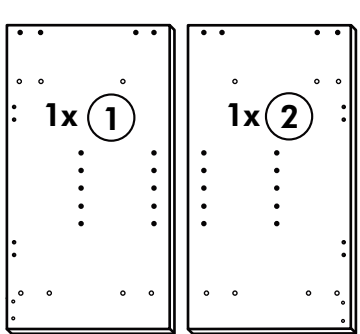
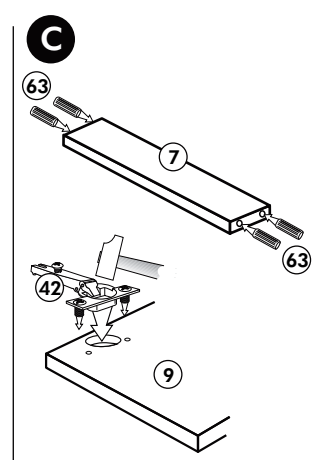
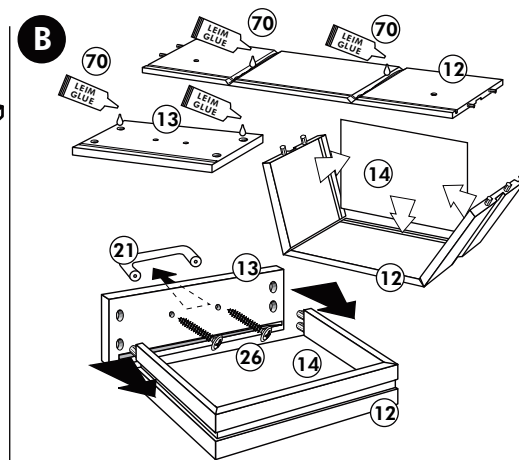
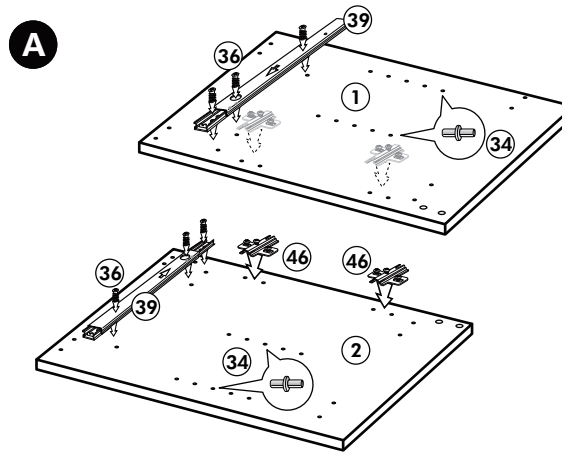
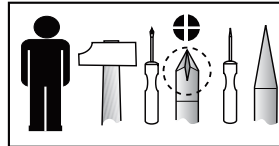
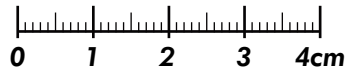
**Achtung!**  
Der Schrank muß mit dem Winkel  
von innen an der Wand befestigt werden,  
weil der Schrank bei geöffnetem Auszug  
nach vorne kippen kann.





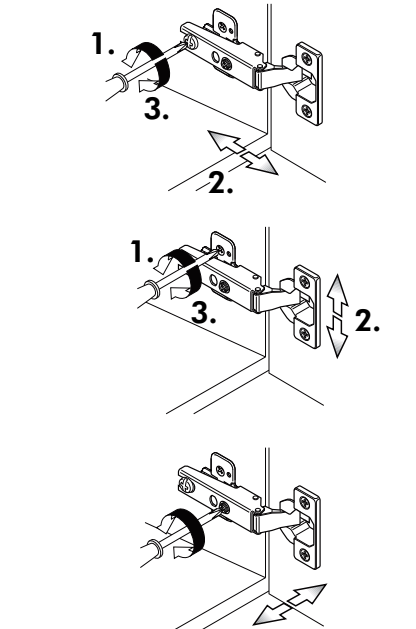
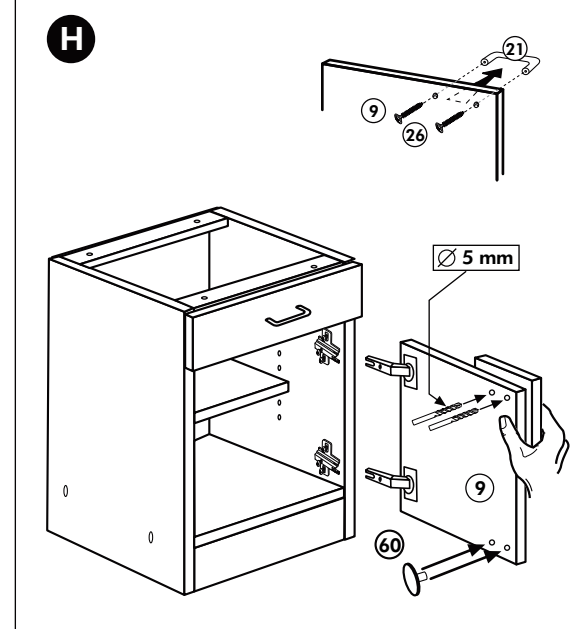
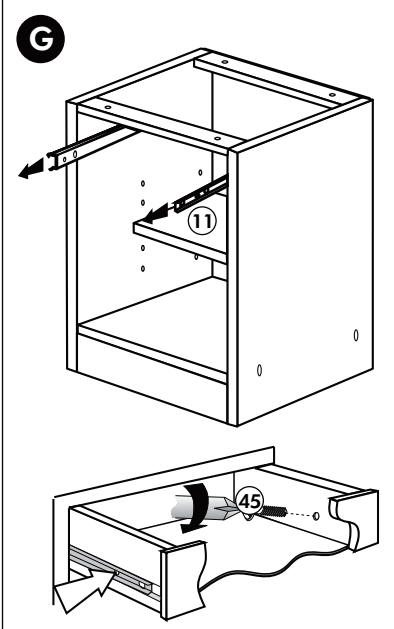
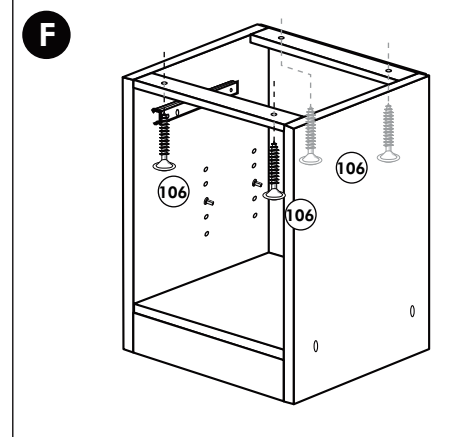
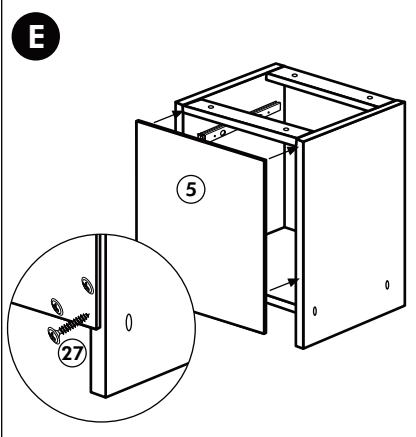
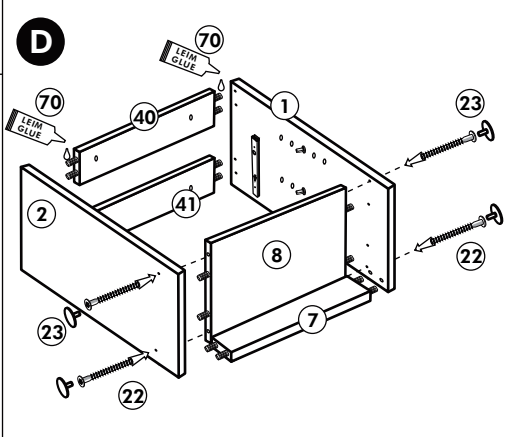
# Unterschrank ohne AP

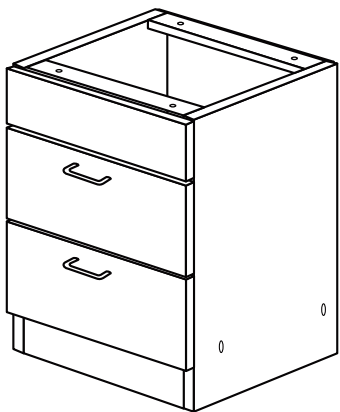
Nr. 003 Rev.00



|                 |  |                  |  |
|-----------------|--|------------------|--|
| <b>34</b><br>4x |  | <b>22</b><br>4x  |  |
| <b>36</b><br>6x |  | <b>23</b><br>4x  |  |
| <b>39</b><br>2x |  | <b>27</b><br>24x |  |
| <b>70</b><br>1x |  | <b>26</b><br>4x  |  |

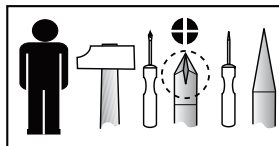
|                  |  |                 |  |
|------------------|--|-----------------|--|
| <b>106</b><br>4x |  | <b>63</b><br>4x |  |
| <b>45</b><br>2x  |  | <b>45</b><br>2x |  |
| <b>42</b><br>2x  |  | <b>46</b><br>2x |  |
| <b>21</b><br>2x  |  | <b>60</b><br>2x |  |



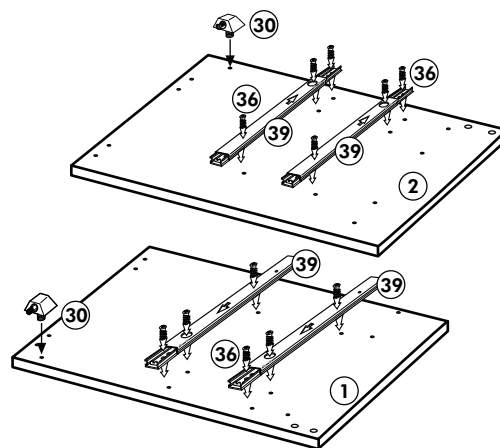


# Unterschrank für Kochfeld mit Auszug

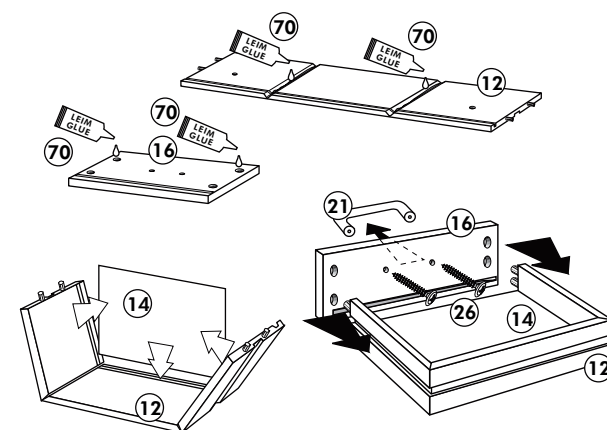
Nr. 012 Rev.00



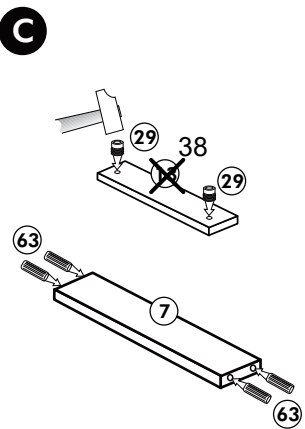
**A**



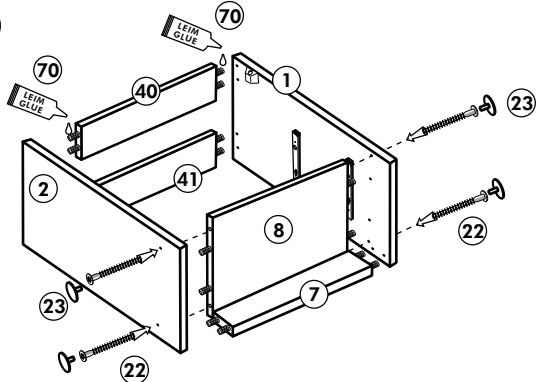
**B 2x**



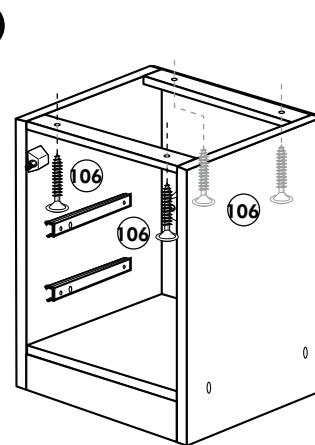
**C**



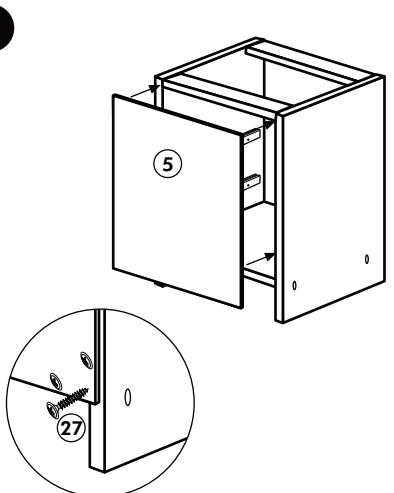
**D**



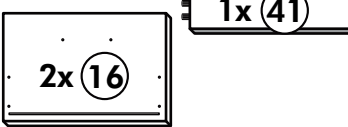
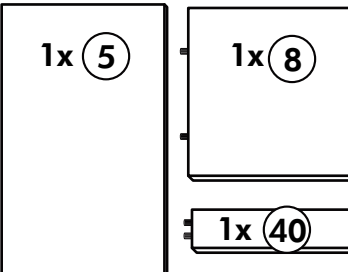
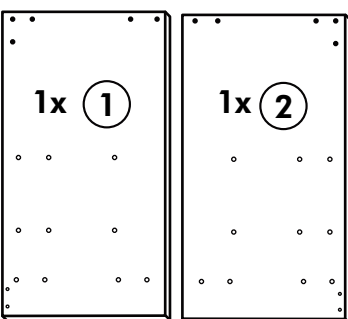
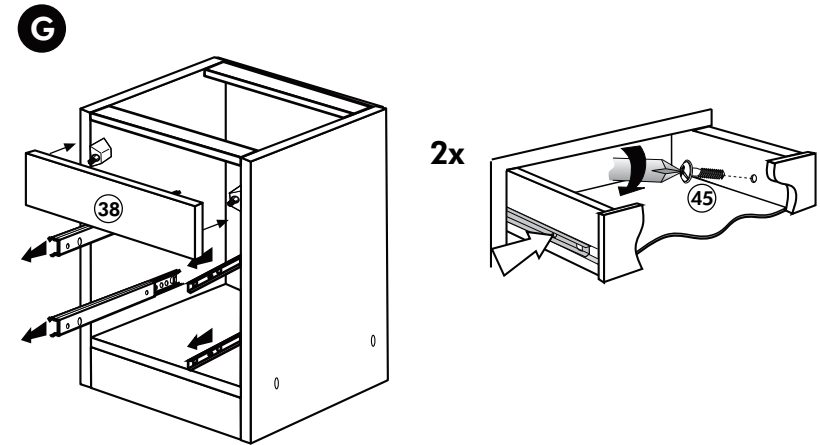
**E**



**F**



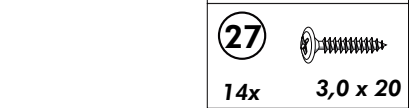
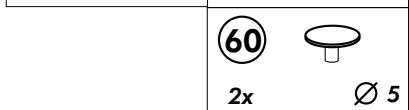
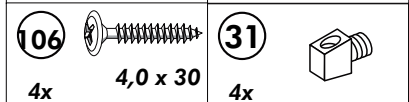
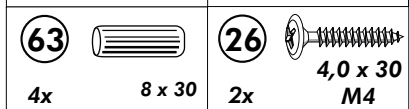
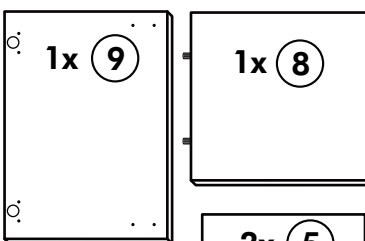
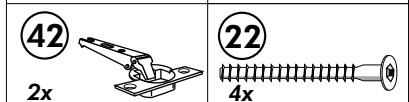
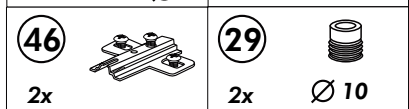
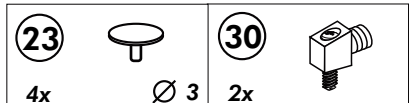
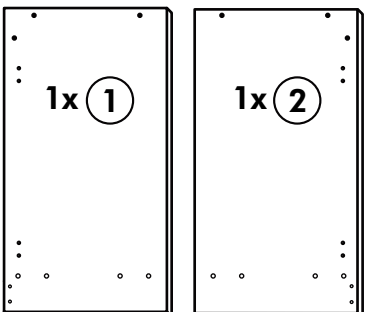
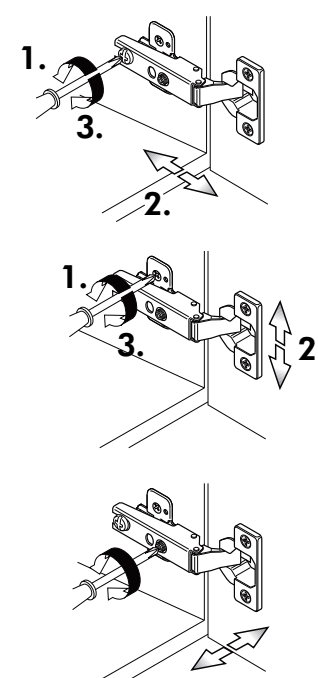
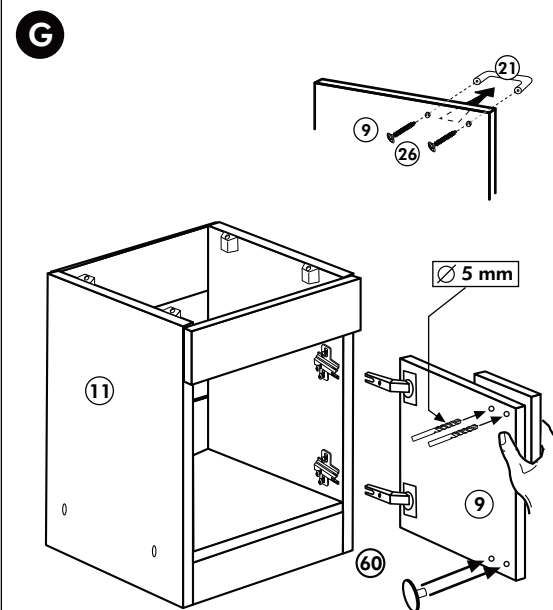
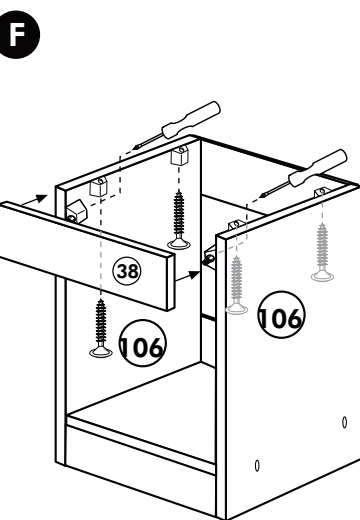
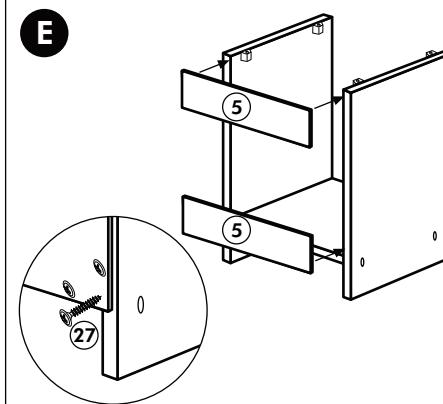
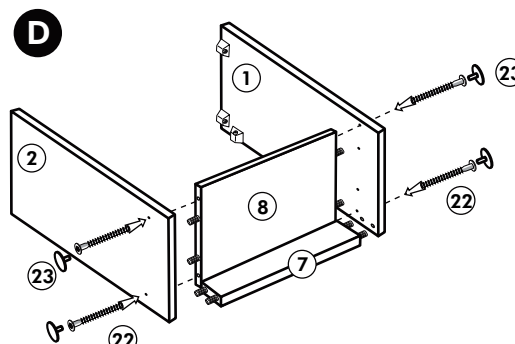
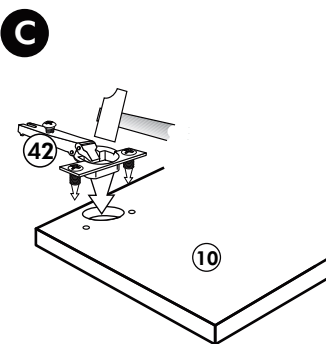
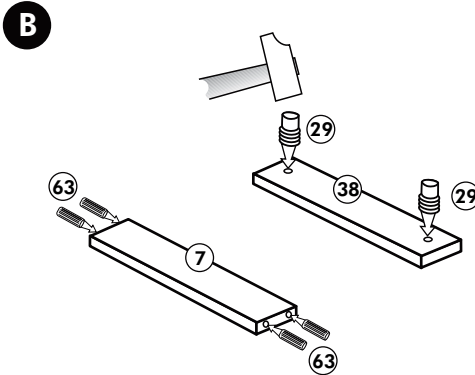
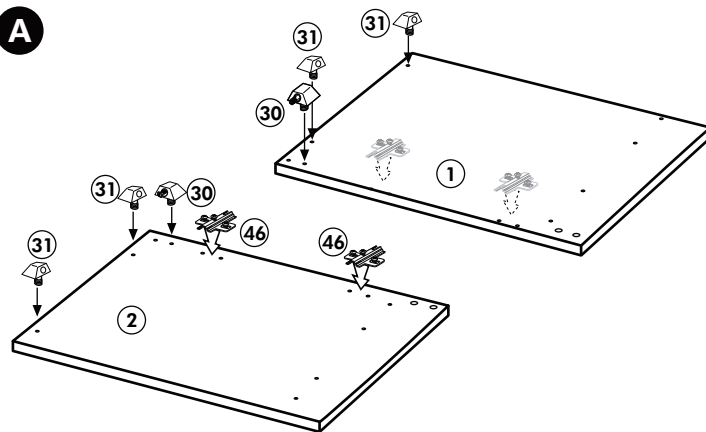
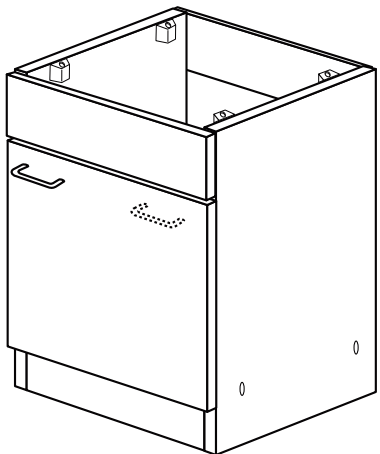
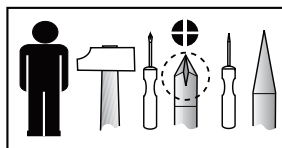
**G**



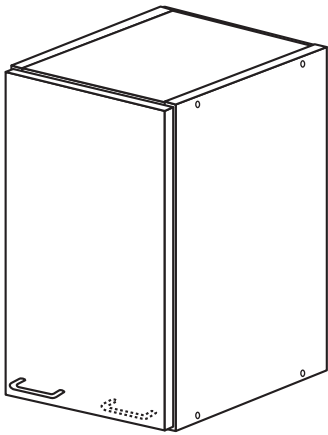
|                                  |                                       |
|----------------------------------|---------------------------------------|
| <b>21</b><br>2x<br>              | <b>22</b><br>4x<br>                   |
| <b>36</b><br>12x<br>3,5 x 15<br> | <b>23</b><br>4x<br>Ø 3<br>            |
| <b>39</b><br>4x<br>              | <b>27</b><br>24x<br>3,0 x 20<br>      |
| <b>70</b><br>1x<br>LEIM GLUE<br> | <b>26</b><br>4x<br>4,0 x 30<br>M4<br> |
| <b>2x 14</b><br>                 | <b>30</b><br>2x<br>                   |
| <b>1x 40</b><br>                 | <b>29</b><br>2x<br>Ø 10<br>           |
| <b>1x 41</b><br>                 | <b>45</b><br>4x<br>M4 x 10<br>        |
| <b>1x 7</b><br>                  | <b>106</b><br>4x<br>4,0 x 30<br>      |
| <b>1x 38</b><br>                 | <b>63</b><br>4x<br>8 x 30<br>         |

# Spüle-Unterschrank ohne AP

Nr. 400 Rev.00

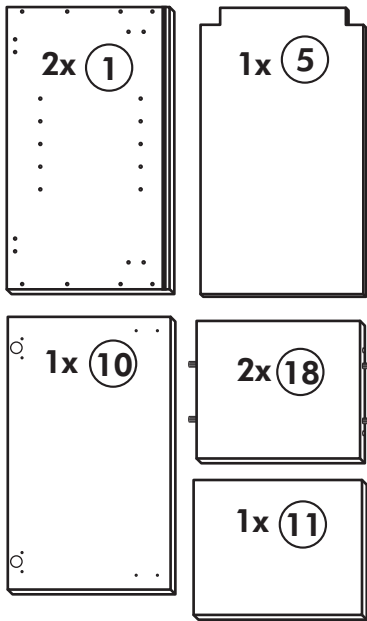
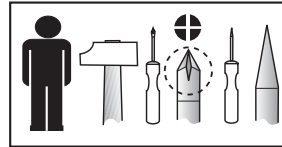




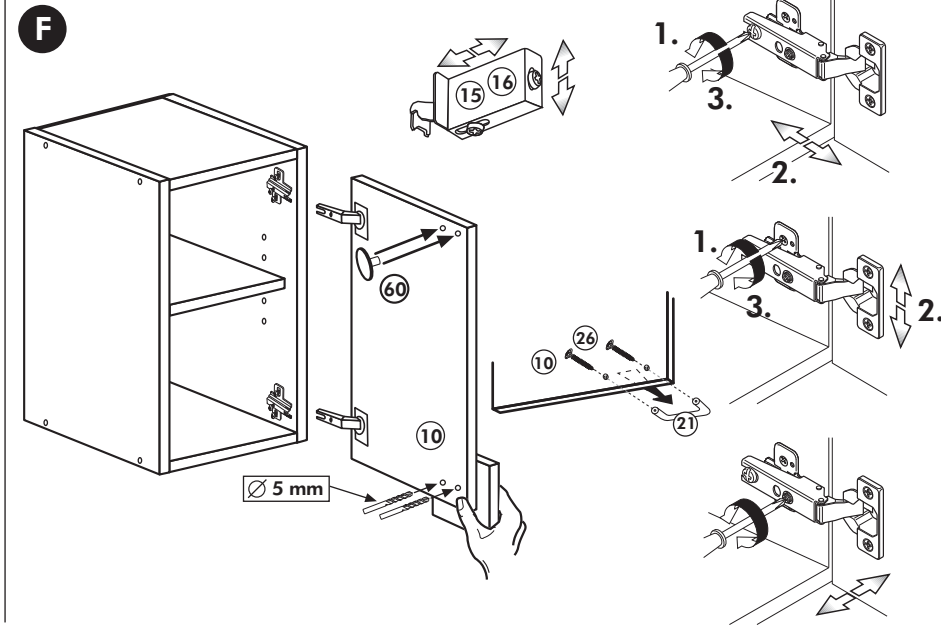
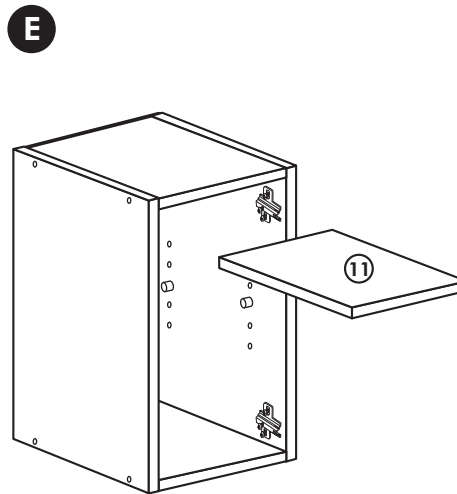
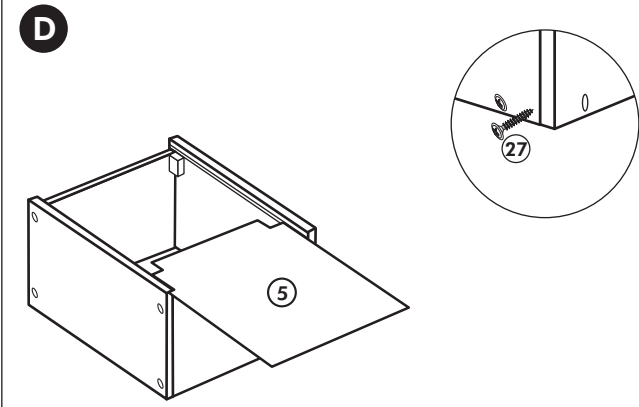
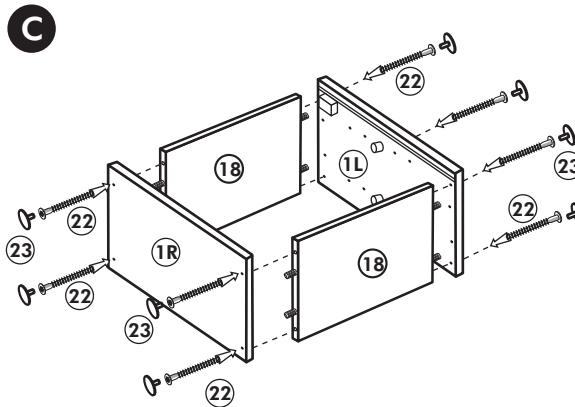
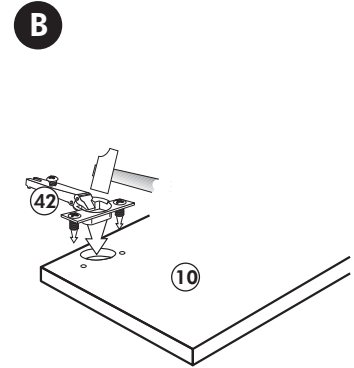
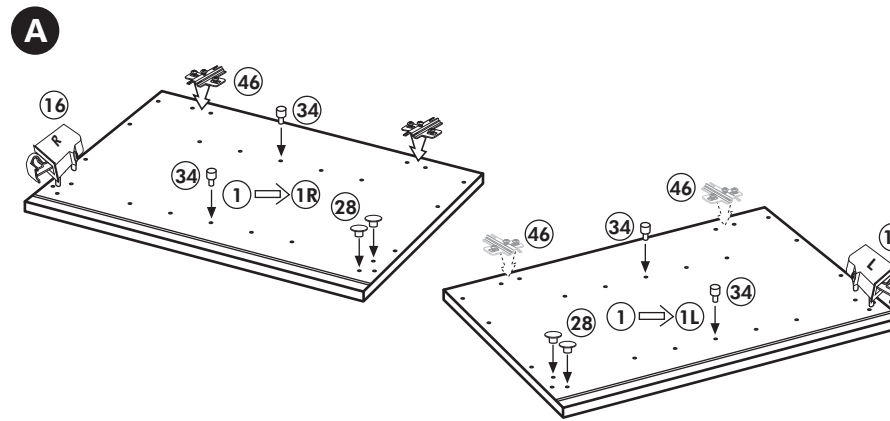


# Hängeschrank

Nr. 101 Rev.00

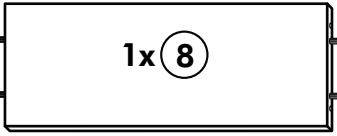
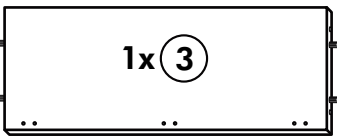
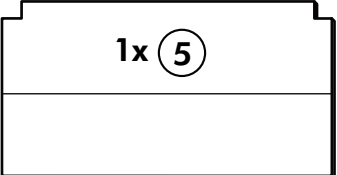
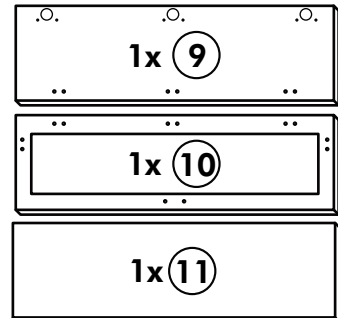
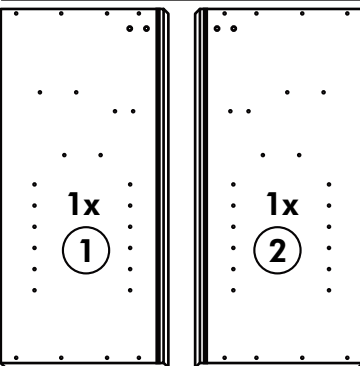
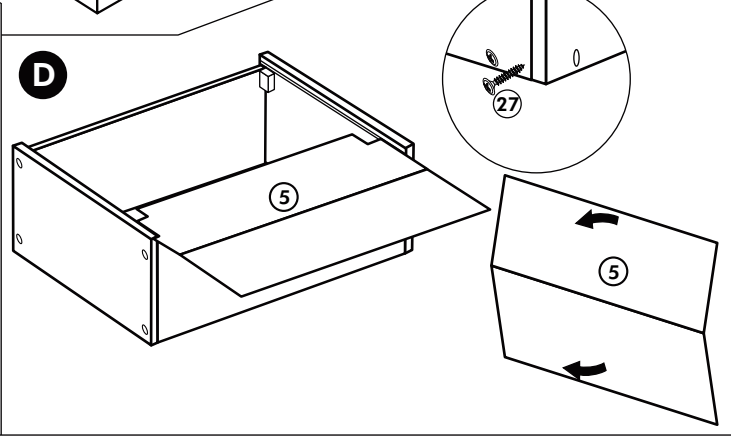
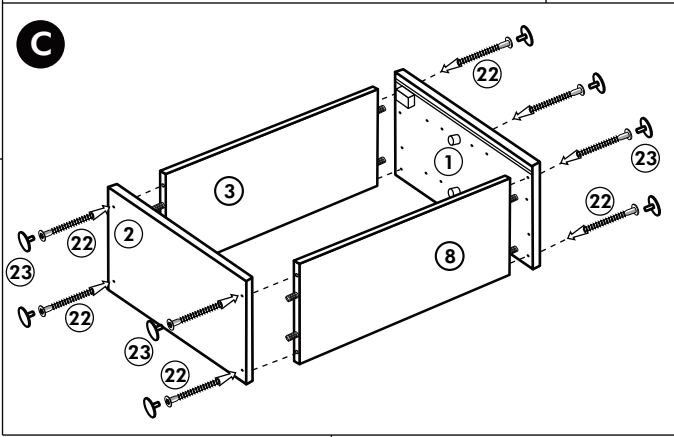
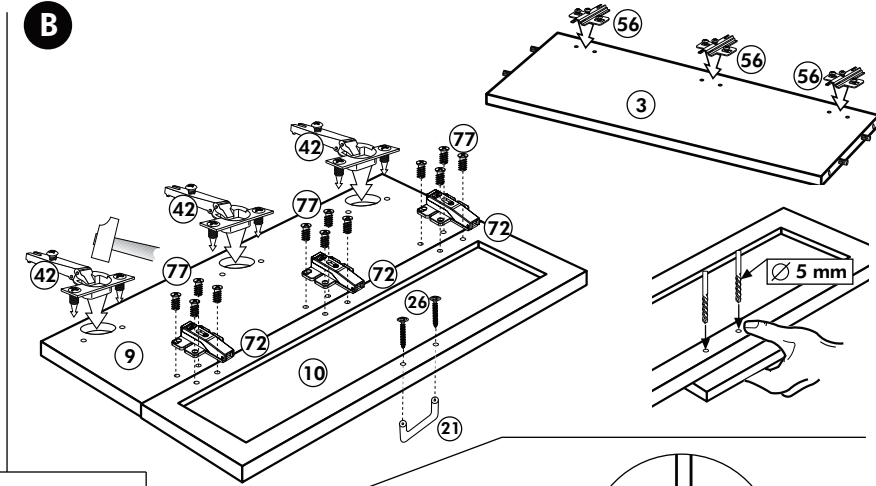
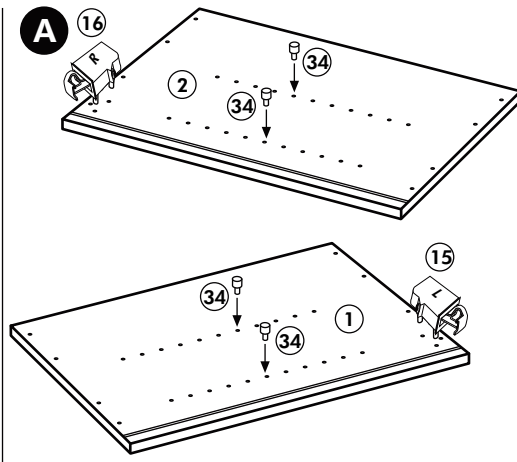
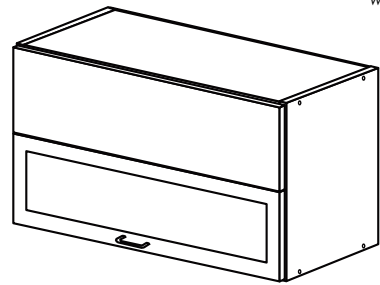
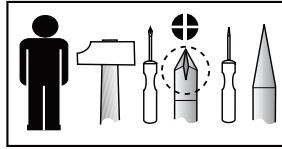


|                             |  |
|-----------------------------|--|
| <b>68</b><br>2x<br>         | <b>23</b><br>8x<br>                        |
| <b>34</b><br>4x<br>         | <b>27</b><br>8x<br>3,0 x 20<br>            |
| <b>28</b><br>4x<br>Ø 10<br> | <b>26</b><br>2x<br>4,0 x 30<br>M4 x 30<br> |
| <b>60</b><br>2x<br>Ø 5<br>  | <b>15</b><br>1x<br>                        |
| <b>22</b><br>8x<br>         | <b>16</b><br>1x<br>                        |
| <b>46</b><br>2x<br>         | <b>69</b><br>2x<br>                        |
| <b>21</b><br>1x<br>         | <b>42</b><br>2x<br>                        |



# Klapplift Hängeschrank

Nr. 111 Rev.00



|                                   |                 |                              |                |
|-----------------------------------|-----------------|------------------------------|----------------|
| <b>23</b><br>8x<br>Ø 3            | <b>42</b><br>3x | <b>77</b><br>16x<br>6,3 x 11 | 2x<br><b>E</b> |
| <b>27</b><br>18x<br>3,0 x 20      | <b>56</b><br>3x | <b>72</b><br>3x              |                |
| <b>26</b><br>2x<br>4,0 x 30<br>M4 | <b>21</b><br>1x | <b>A</b><br>1x               |                |
| <b>15</b><br>1x                   | <b>68</b><br>2x | <b>B</b><br>1x               |                |
| <b>16</b><br>1x                   | <b>34</b><br>4x | <b>C</b><br>1x               |                |
| <b>69</b><br>2x                   | <b>22</b><br>8x | <b>D</b><br>1x               |                |

