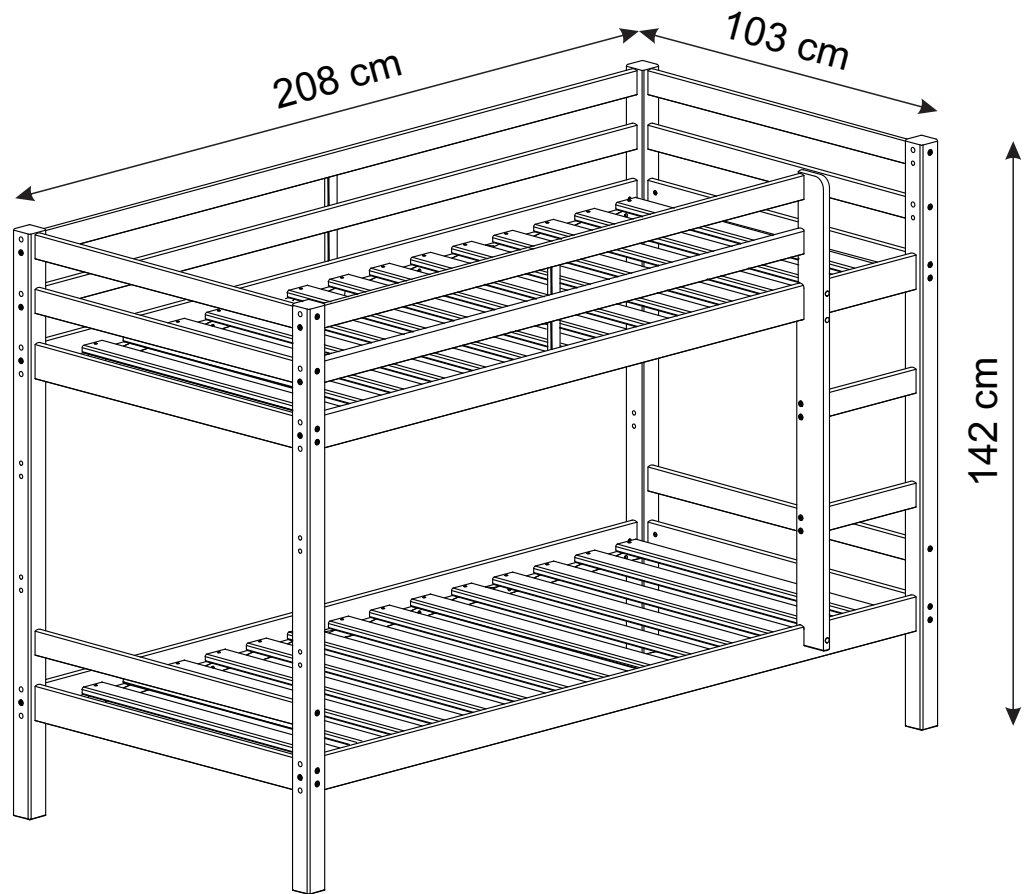


Alpi 3200



D Montageanleitung
3200

FR Notice de montage
3200

NL Handleiding voor de montage
3200

CZ Montážní návod
3200

HU Szerelési útmutató
3200

TR Montaj talimatı
3200

GB Assembly instructions
3200

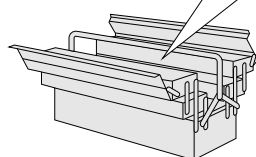
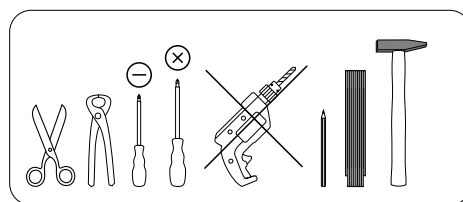
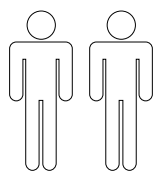
IT Istruzioni di montaggio
3200

PL Instrukcja montażu
3200


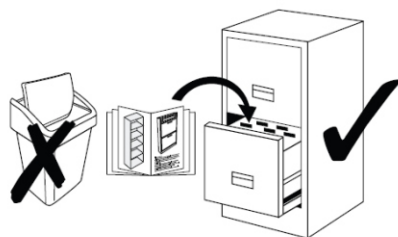
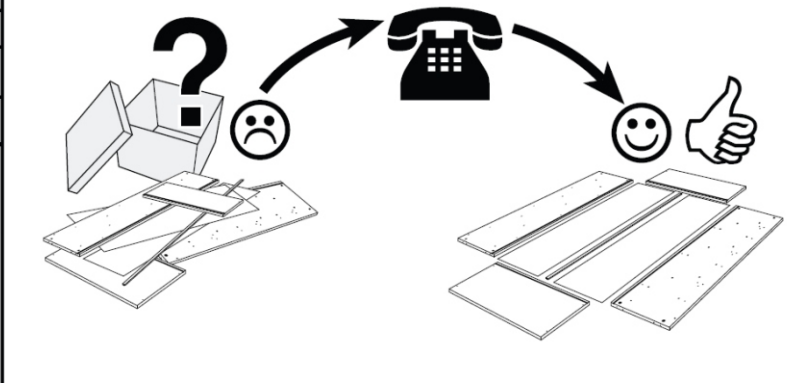
SK Návod na montáž
3200

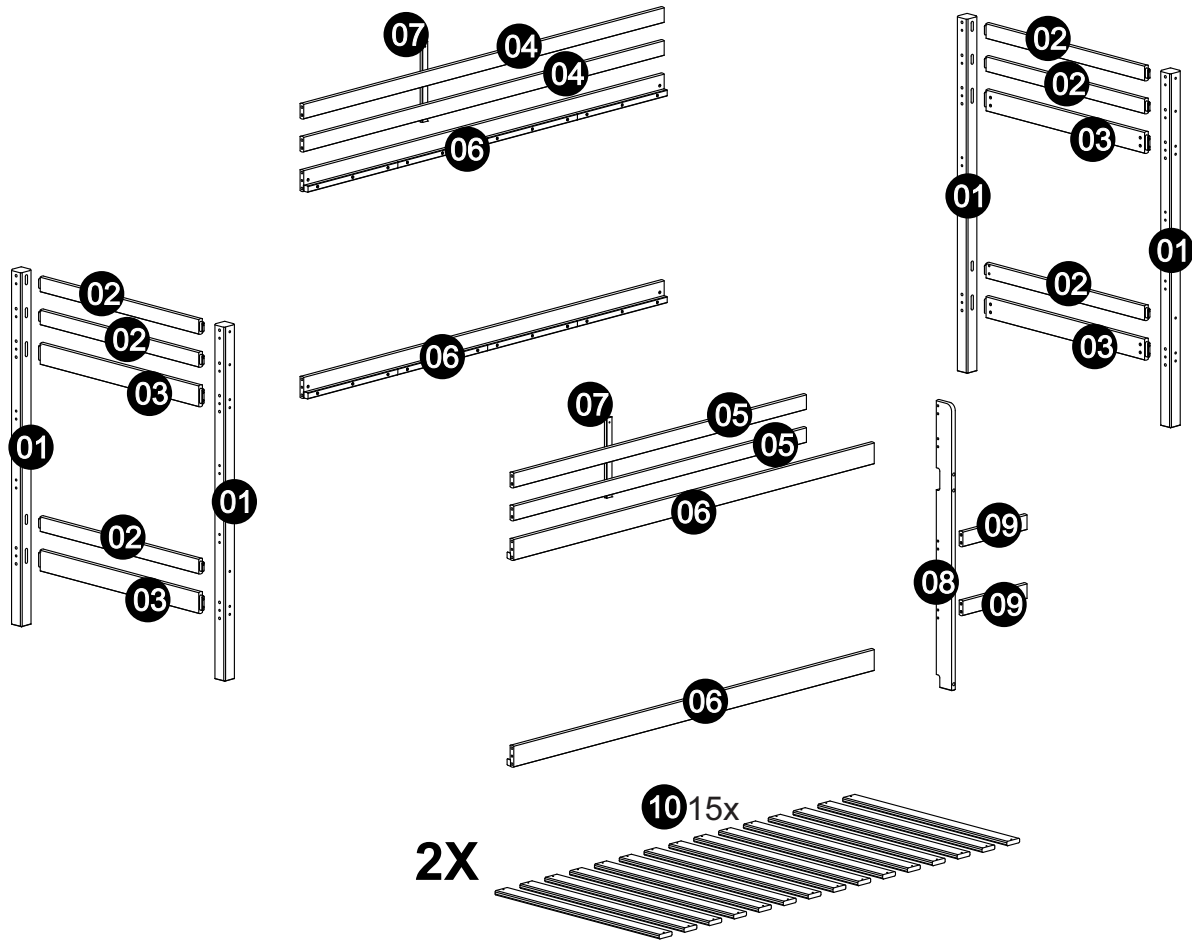
RO Instrucțiuni de montaj
3200

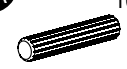


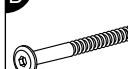


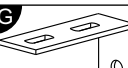





RU Инструкция по монтажу
3200



0
10
20
30
40
50
60
70
80
90
100
110
120
130
140
150
160
170
180
190
200

| Service • Assistenza • Dienstverlening • Serwis Servis • Szerviz • Сервисная служба | |
|---|--|
| Name • Nom • Nome • Naam • Nazwa • Jméno • Názov • Név • Denumire • Ísim • Название | |
| Nr. • No. • N° • Номер • Č • Sz | |
| Typ • Type • Tip • Típus • Tipo • Тип | |
|  | |
|  |  |

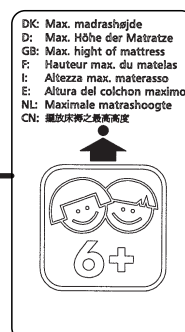
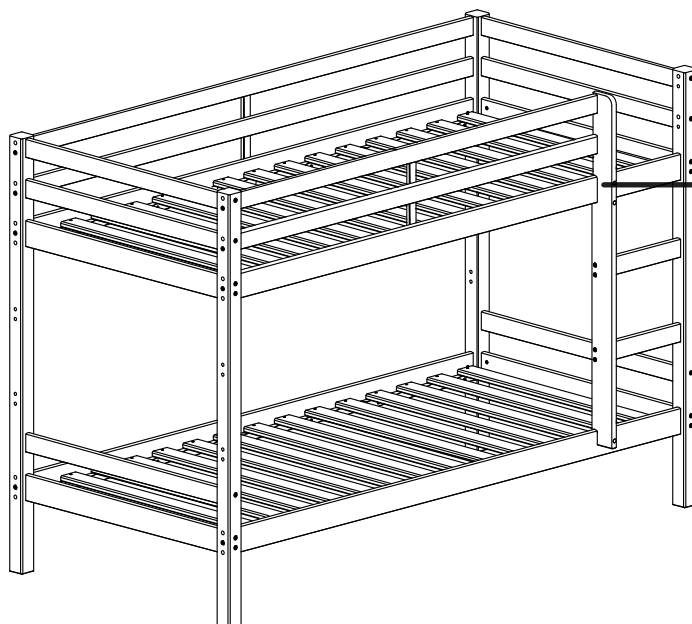


- | | | | | |
|---|--|---|---|--|
| A  10x50 22x | B  4,0x30 72x | C  4,5x60 3x | D  7,0x90 22x | E  1/4x90 24x |
| F  7,0x60 8x | G  2x | H  24x | I  3x | J  28x |
| K  26x | L  1x | | | |

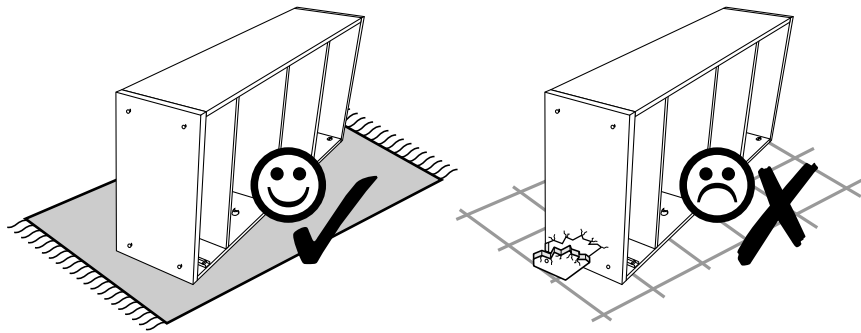
INSTRUCTIONS

IMPORTANT - READ CAREFULLY - KEEP FOR FUTURE REFERENCE

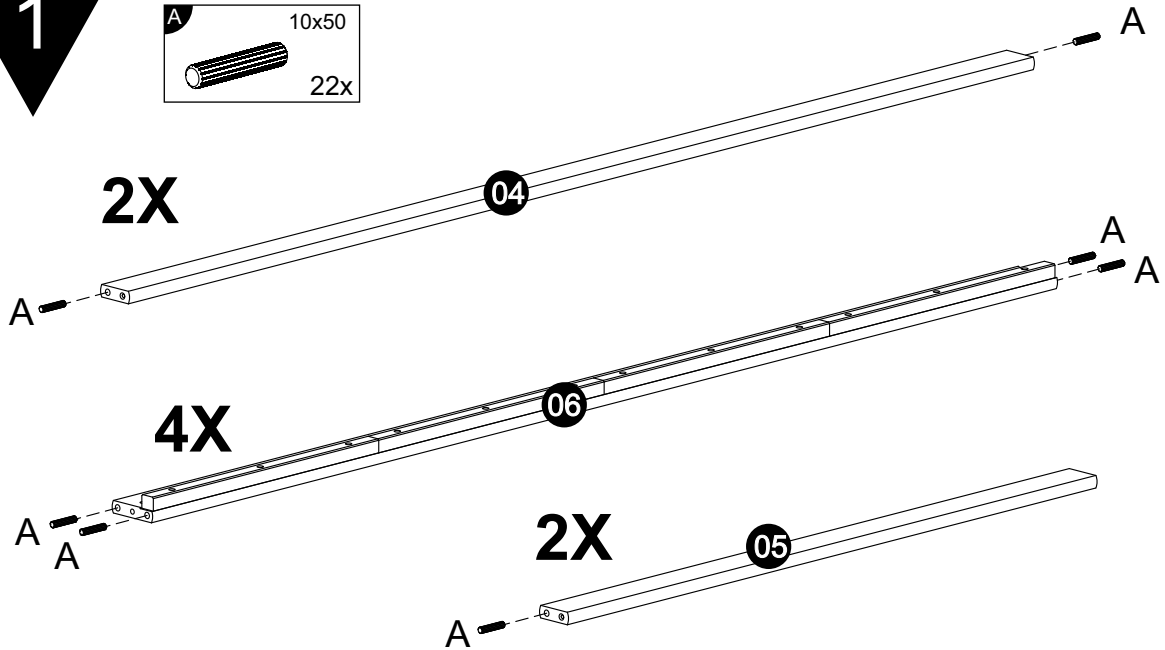
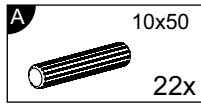
- a) **WARNING** - High beds and the upper bed of bunk beds are not suitable for children under six years due to the risk of injury from falls;
- b) **WARNING** - Bunk beds and high beds can present a serious risk of injury from strangulation if not used correctly. Never attach or hang items to any part of the bunk bed that are not designed to be used with the bed, for example, but not limited to ropes, strings, cords, hooks, belts and bags.
- c) **WARNING** - Children can become trapped between the bed and the wall, a roof pitch the ceiling adjoining pieces of furniture (e.g. cupboards) and the like. To avoid risk of serious injury the distance between the top safety barrier and the adjoining structure shall not exceed 75 mm or shall be more than 230 mm.
- d) **WARNING** - Do not use the bunk bed/high bed if any structural part is broken or missing; Replacement parts are between requested from the manufacturer or the store.
- e) it is imperative to always follow the installation instructions and manufacturer's use.
- f) The recommended size of the mattress to be used with the bed is 200cm x90cm, **maximum thickness mattress: 15cm.**
- g) It is necessary to ventilate the room in order to maintain a low level moisture and prevent mold growth in the bed and its periphery.
- h) Joining devices should always be tightened properly and regularly verified. Tighten if necessary.
- i) Meets European standard requirements NC safety EN 747-1:2012+A1:2015.



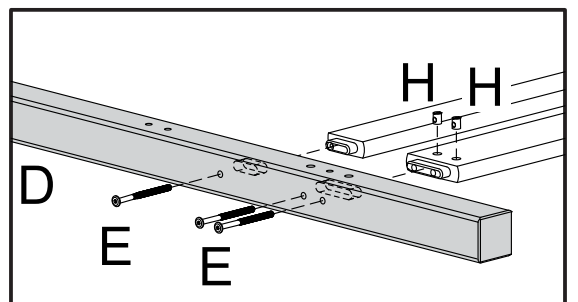
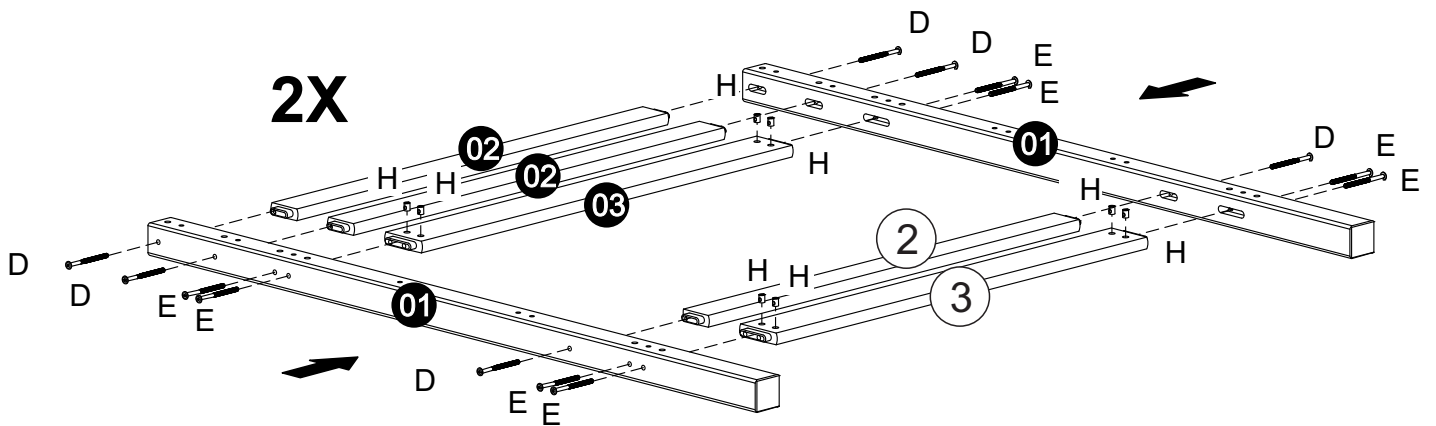
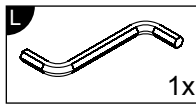
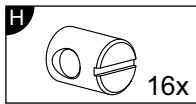
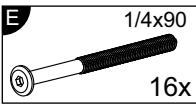
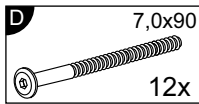
All bunk beds and high beds intended to be assembled by other than the manufacturer of any representative shall include assembly instructions including a list of the parts supplied and details F2 tools required to assemble the bed;



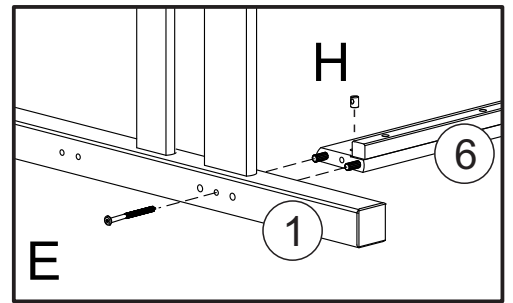
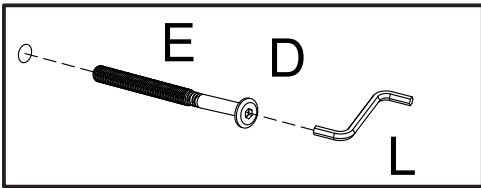
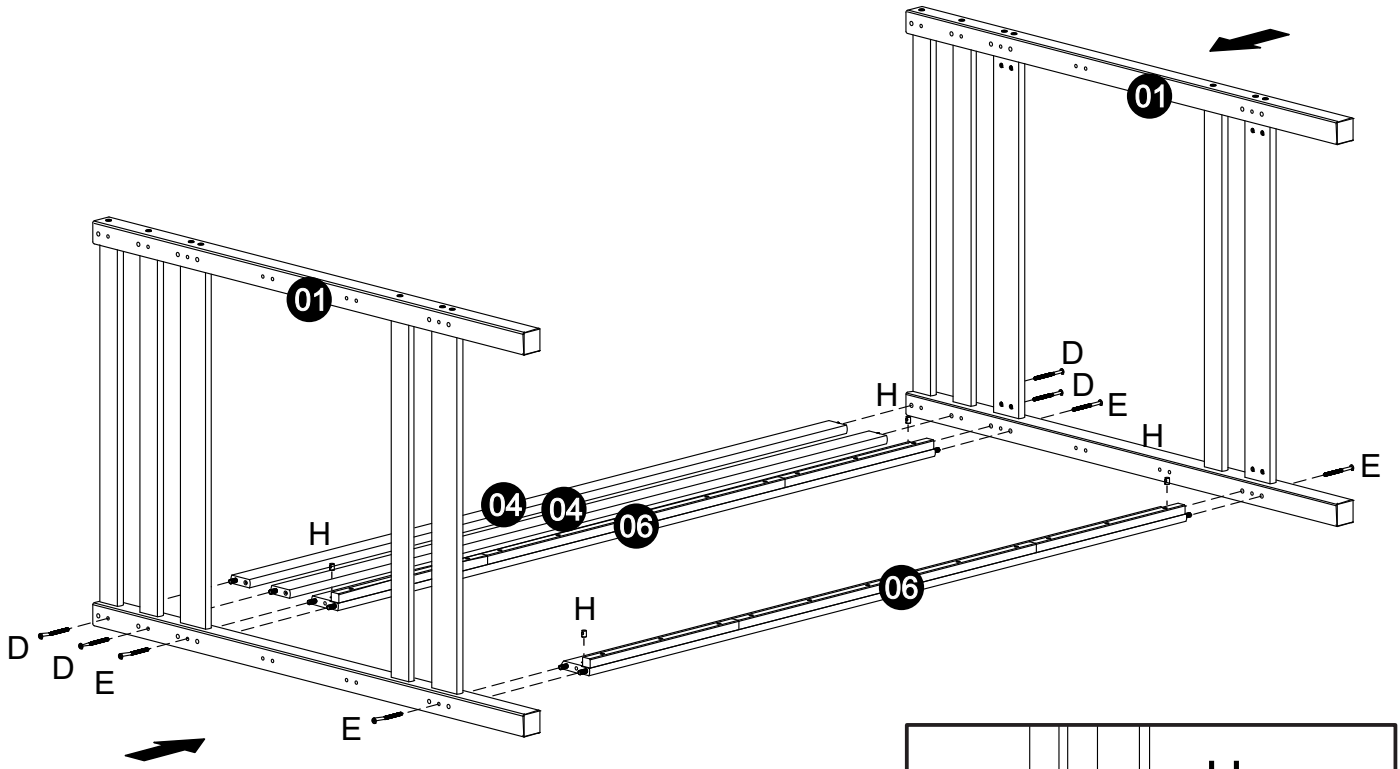
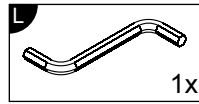
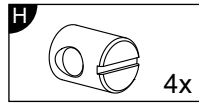
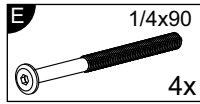
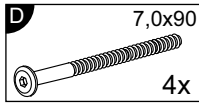
1



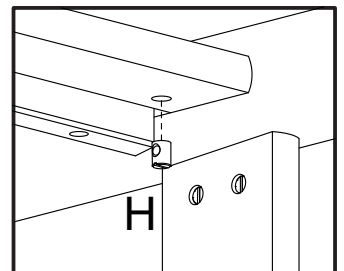
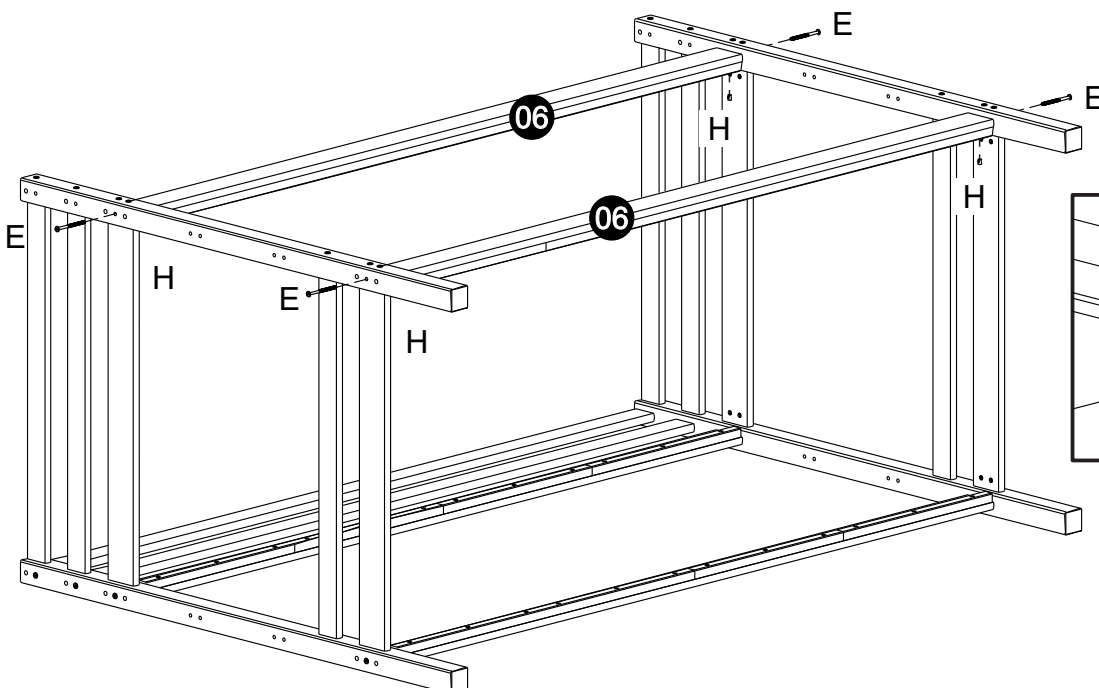
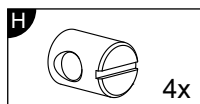
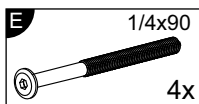
2



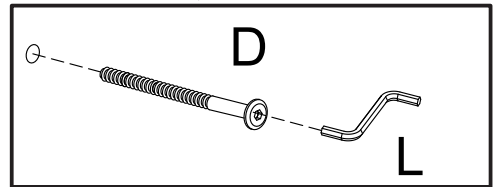
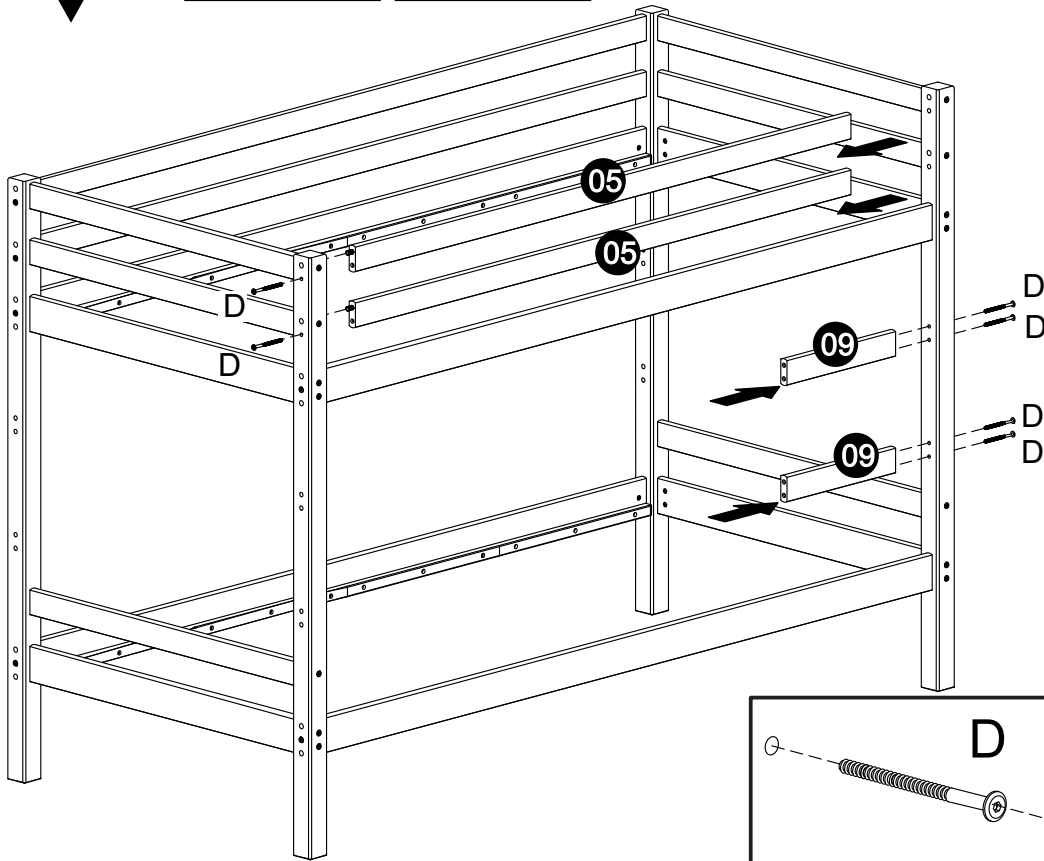
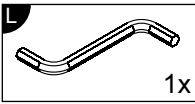
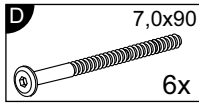
3



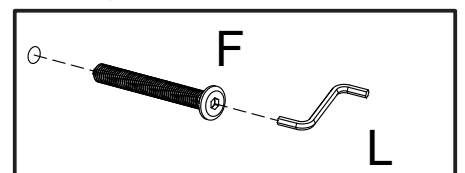
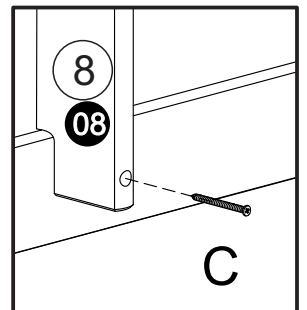
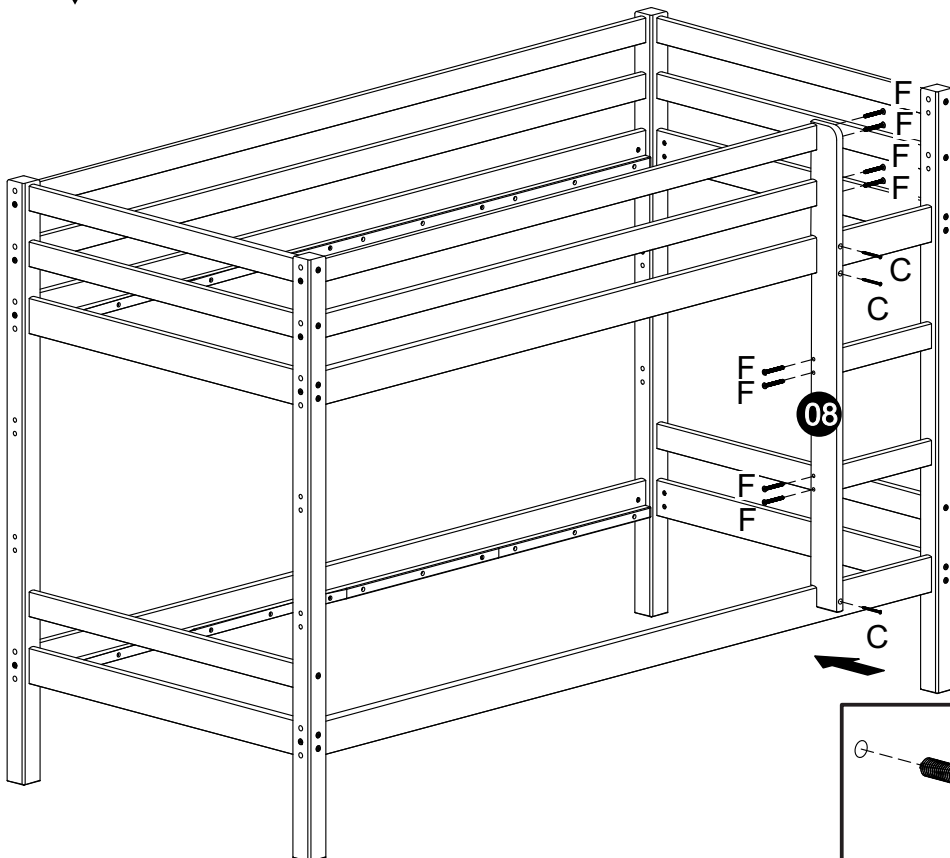
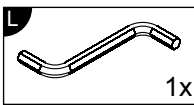
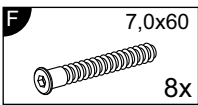
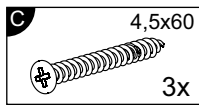
4



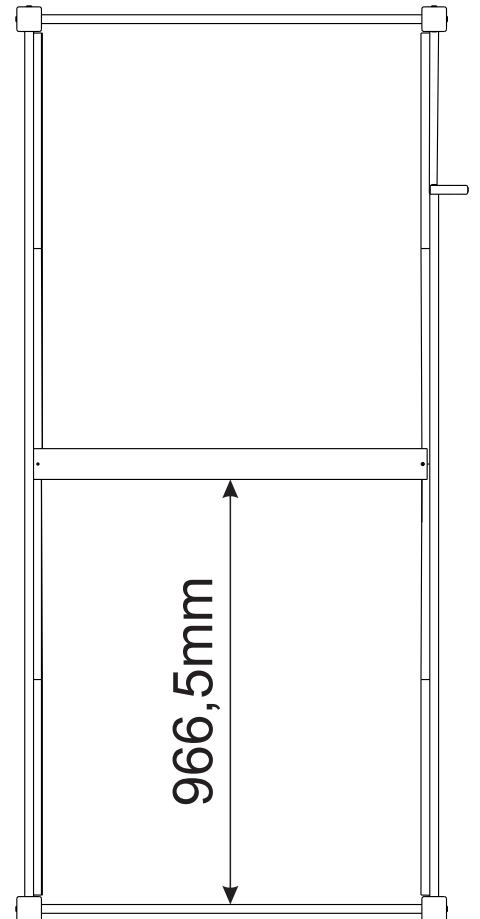
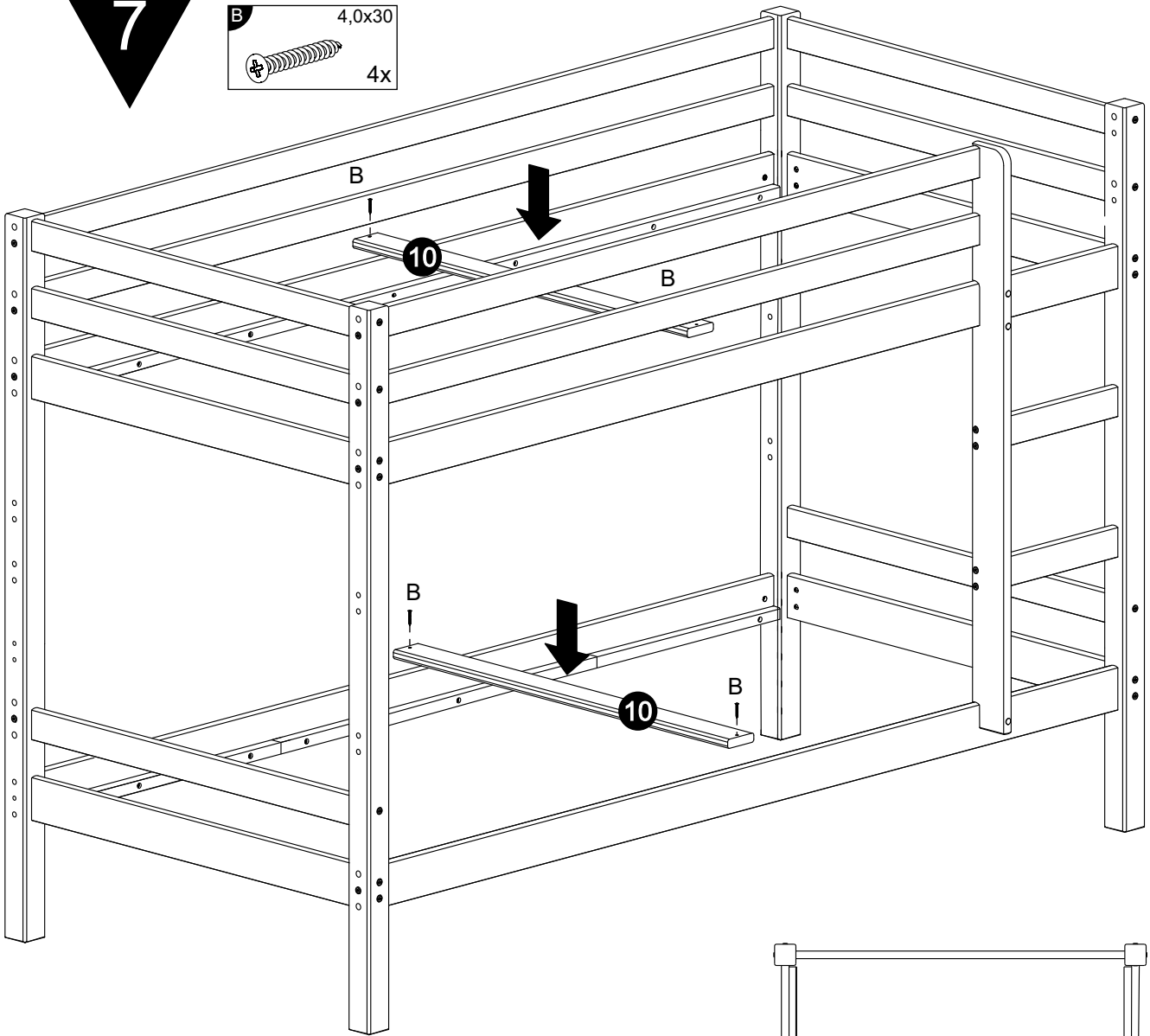
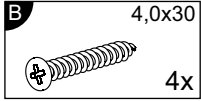
5



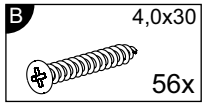
6



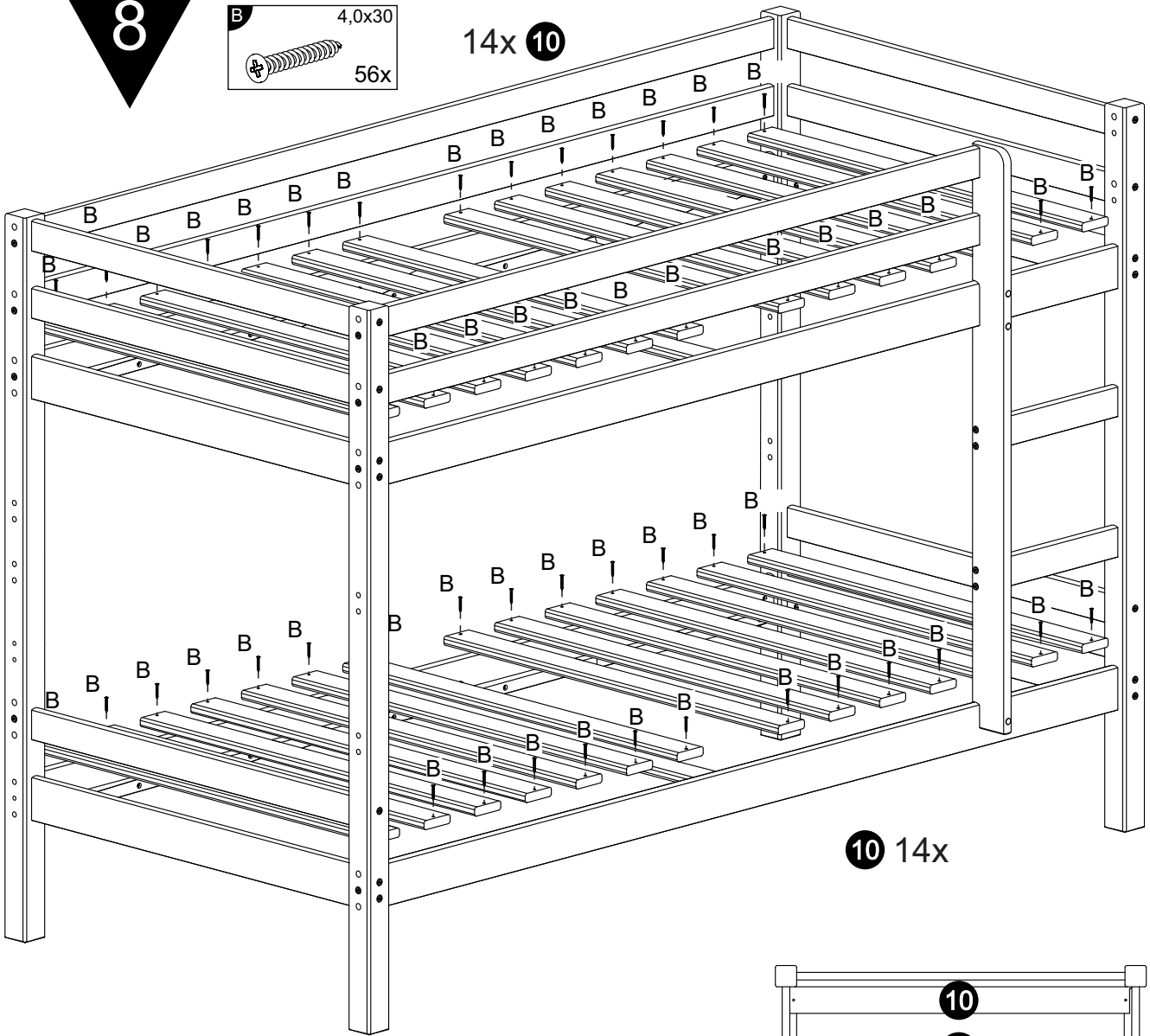
7



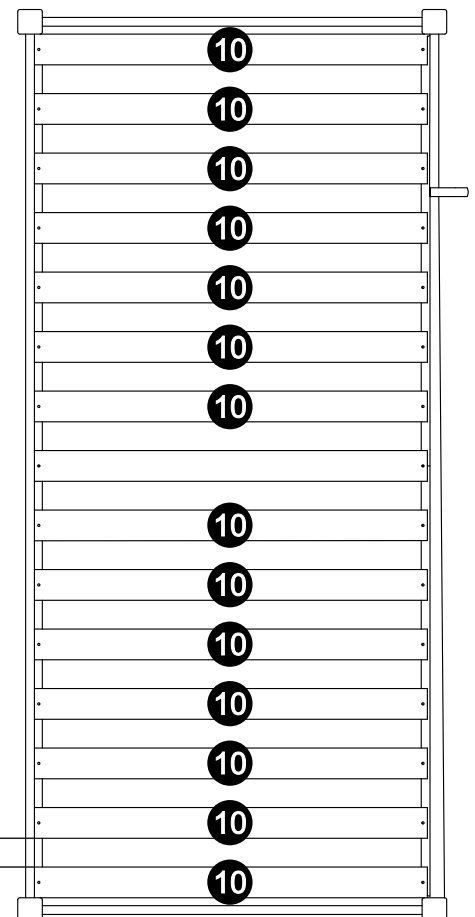
8



14x 10

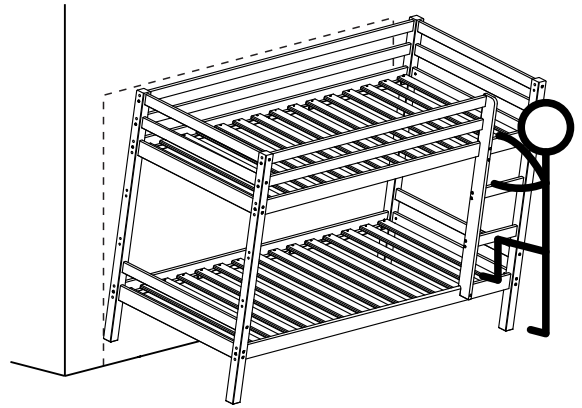
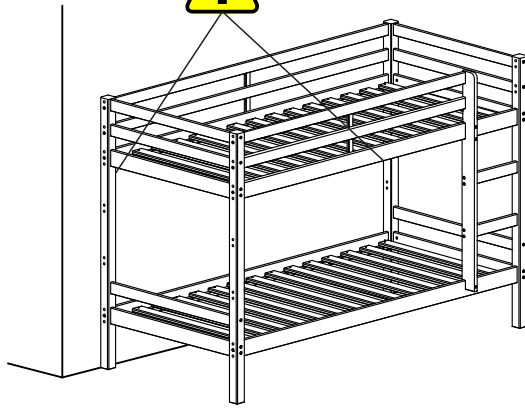
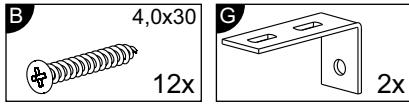


10 14x



66mm

9



DK: Max. madrashøjde
 D: Max. Höhe der Matratze
 GB: Max. height of mattress
 F: Hauteur max. du matelas
 I: Altezza max. materasso
 E: Altura del colchon maximo
 NL: Maximale matrashoogte
 CN: 擺放床褥之最高高度

