




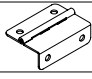










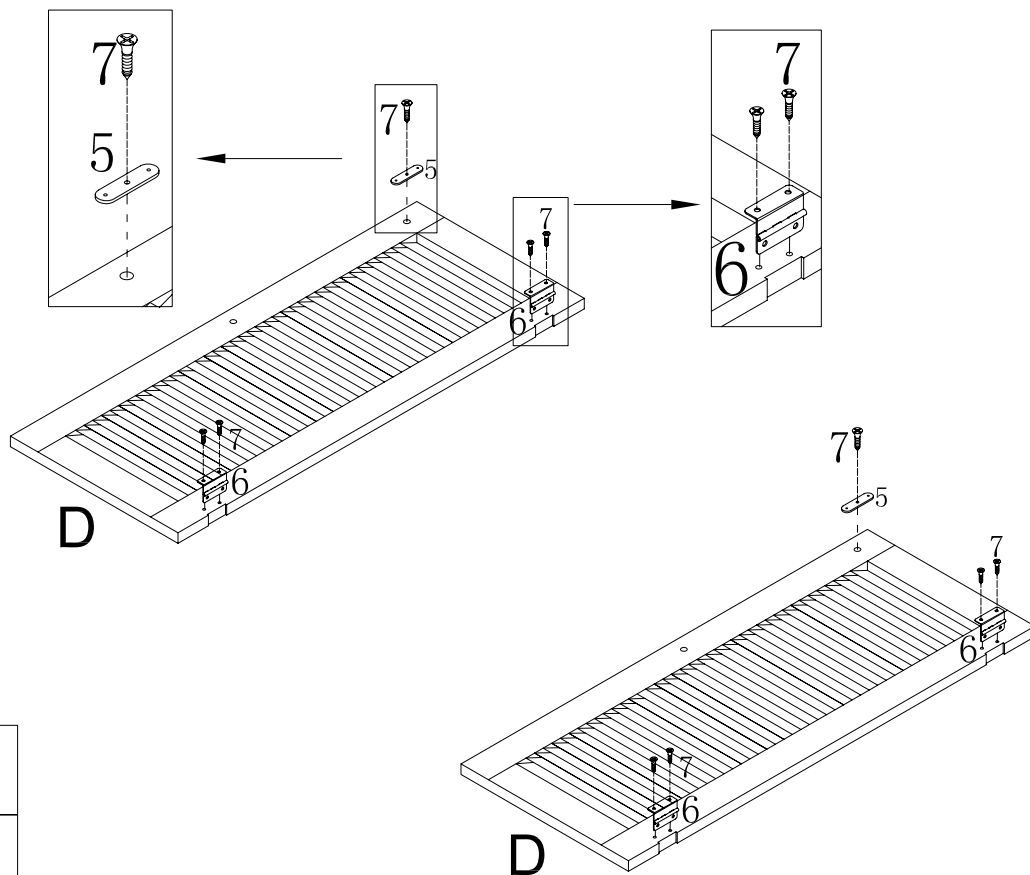
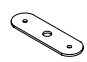
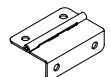



1		24pcs
2		16pcs
3	 $\phi 15 \times 12 \text{mm}$	8pcs
4	 $\phi 15 \times 9.5 \text{mm}$	8pcs
5		2pcs
6		4pcs
7	 $\phi 3 \times 12 \text{mm}$	18pcs
8	 $\phi 4 \times 30 \text{mm}$	4pcs
9	 $\phi 2.2 \times 10 \text{mm}$	30pcs
10		2pcs
11		2pcs
12		2pcs
13		8pcs
14	 $\phi 2.5 \times 12 \text{mm}$	4pcs
15		1pc
16		1pc

Step 1

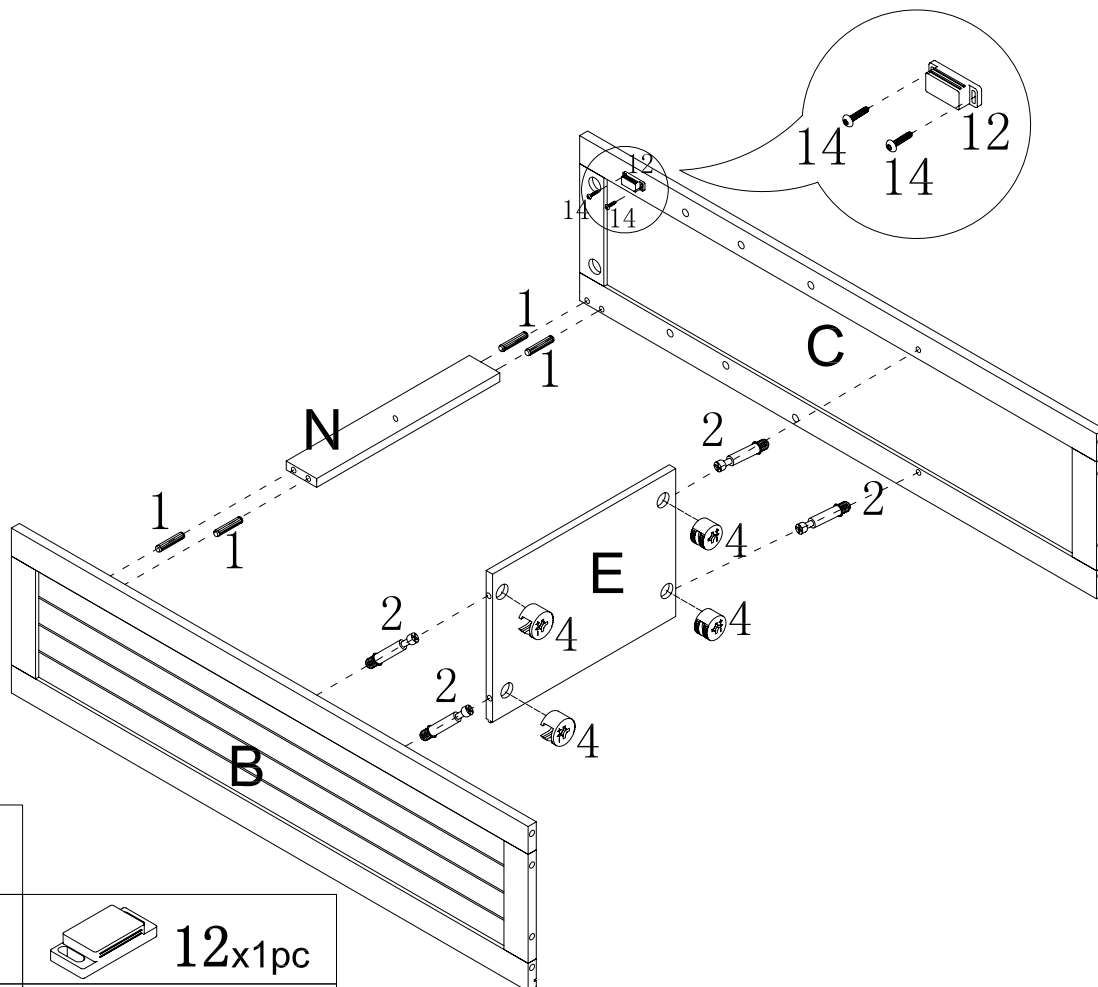


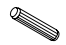
 5x2pcs


 6x4pcs


 7x10pcs

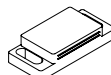
Step 2




 1x4pcs

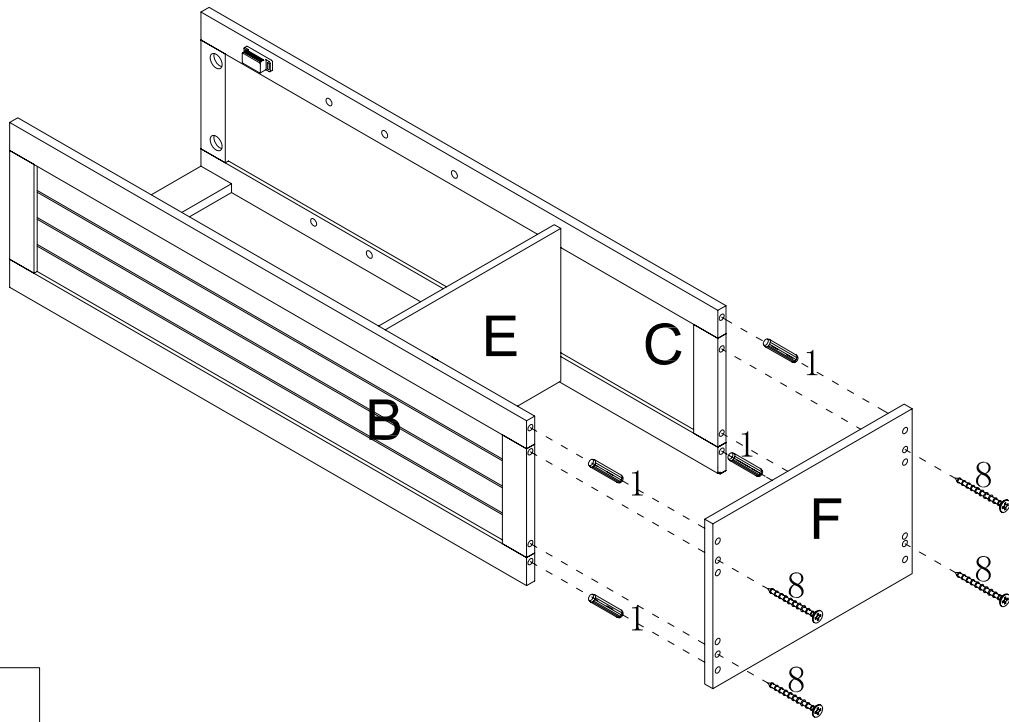
 2x4pcs


 4x4pcs


 12x1pc

 14x2pcs

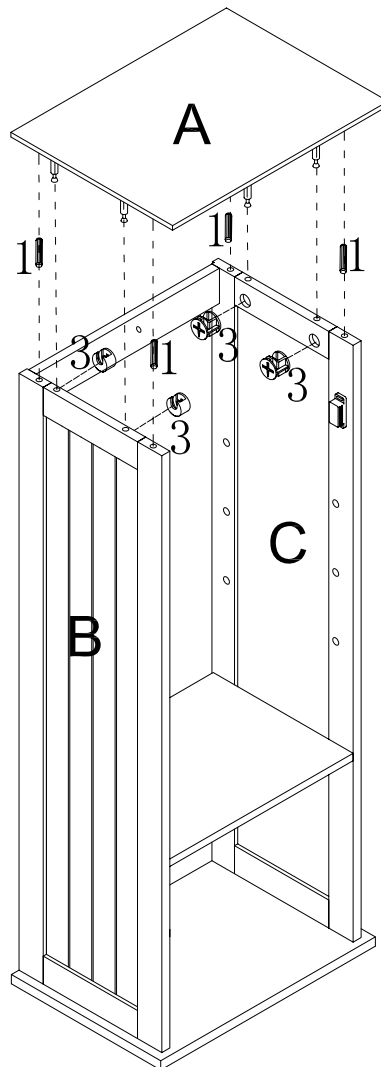
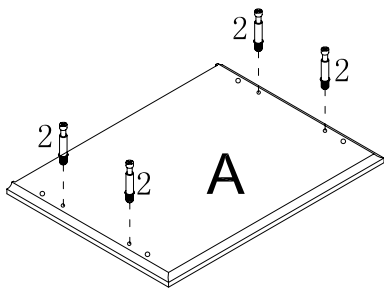
Step 3





 1x4pcs


 8x4pcs

Step 4

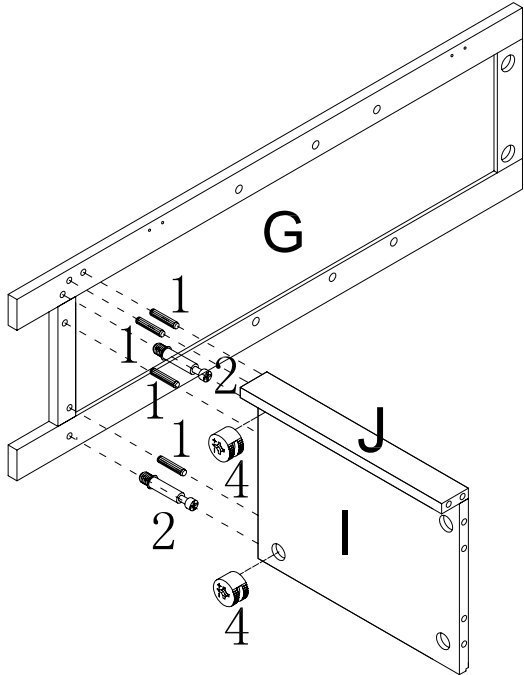





 1x4pcs

 2x4pcs

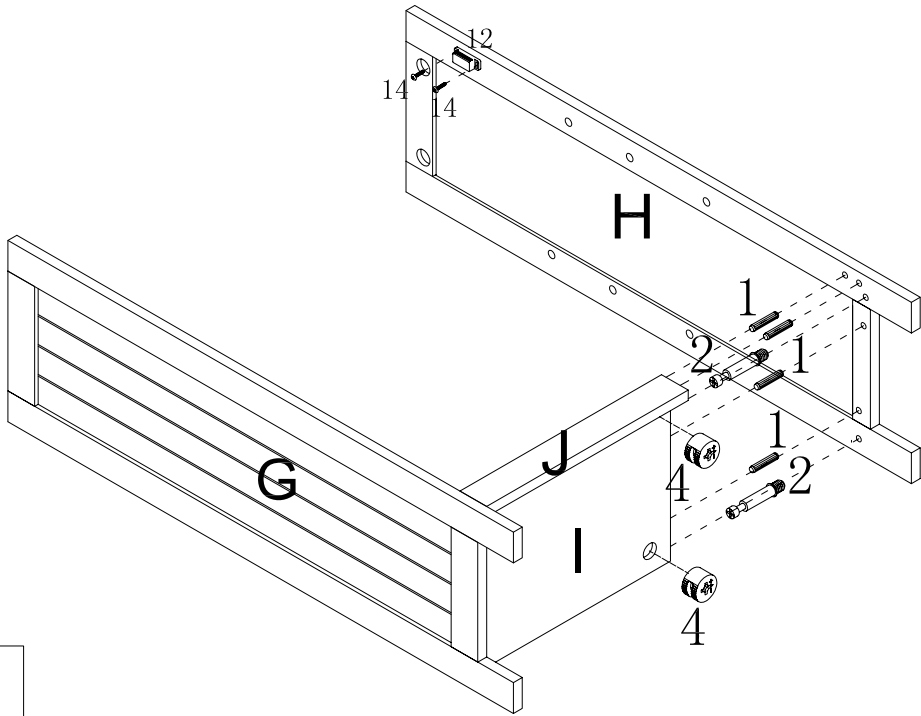
 3x4pcs



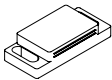


Step 5



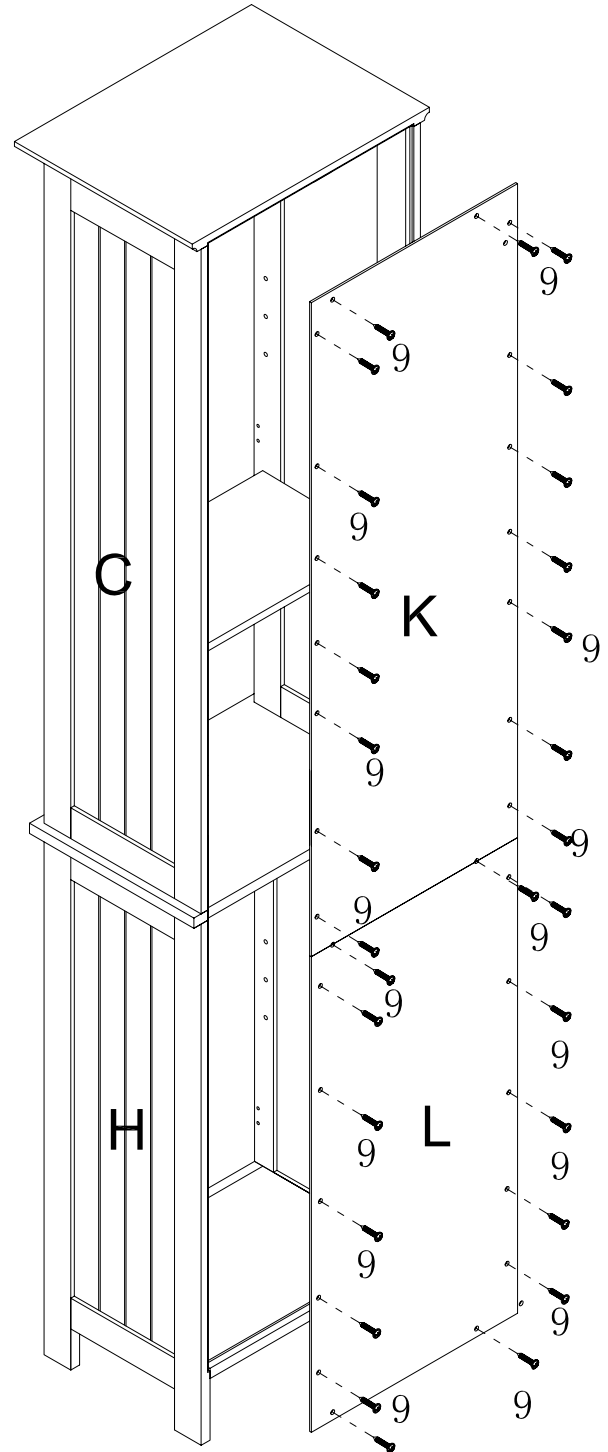
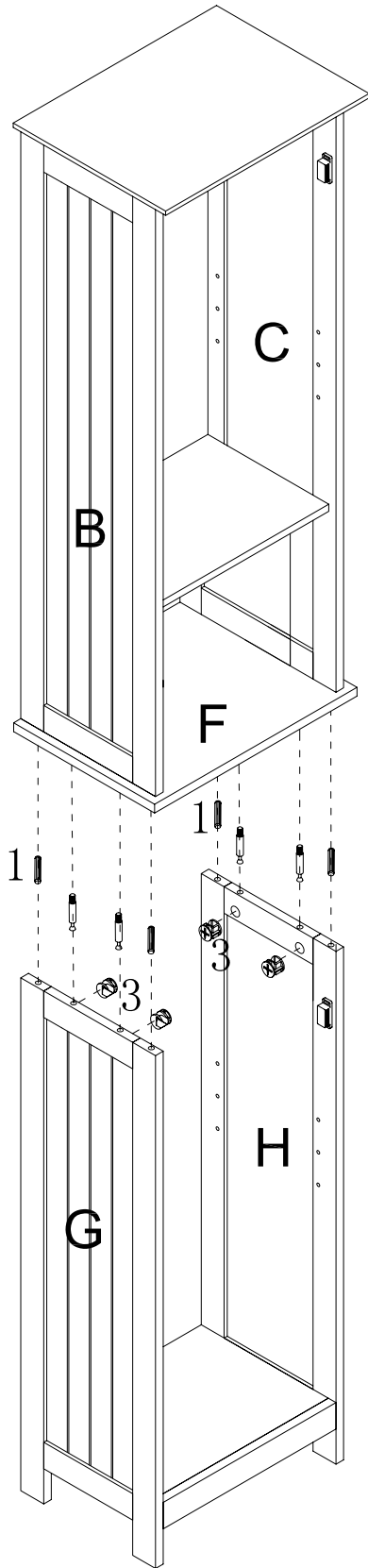
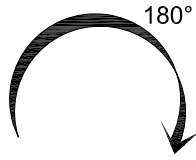
	1x4pcs
	2x2pcs
	4x2pcs





Step 6



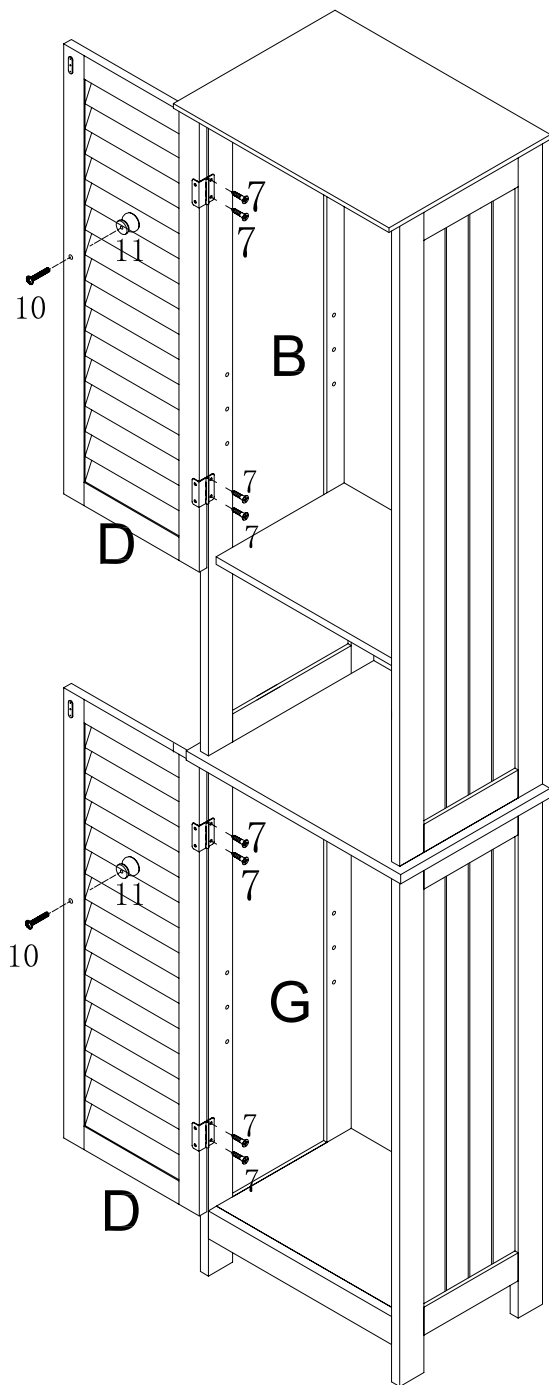
	1x4pcs	
	2x2pcs	 12x1pc
	4x2pcs	 14x2pcs

Step 7



	1x4pcs		3x4pcs
	2x4pcs		9x30pcs

Step 8



7x8pcs

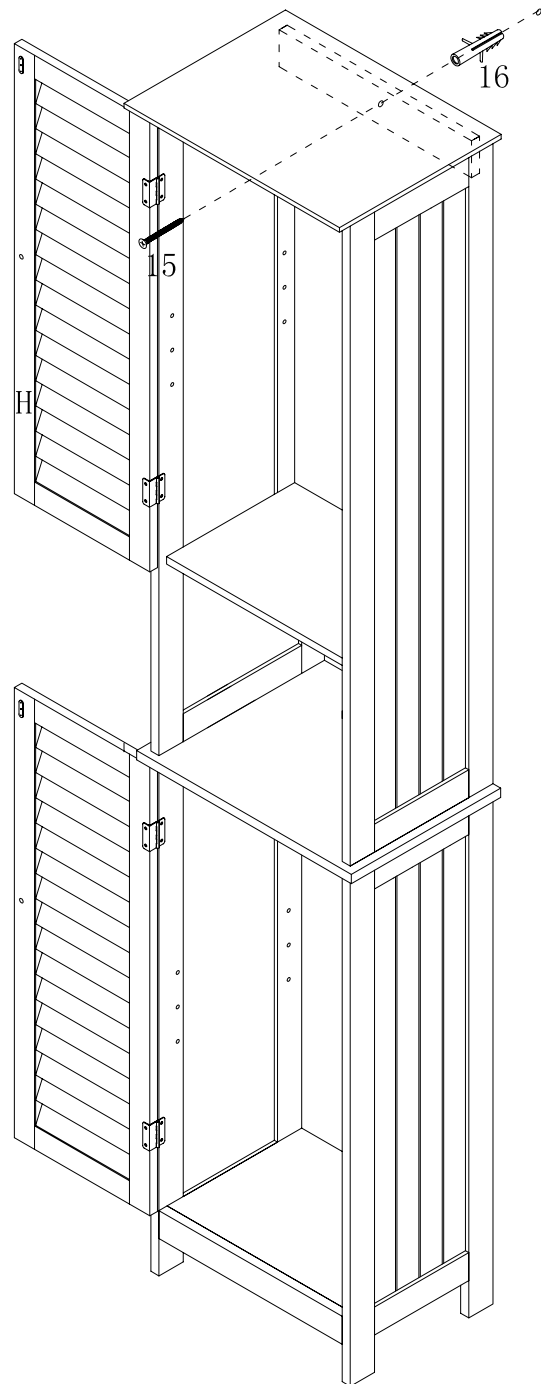


10x2pcs



11x2pcs

Step 9

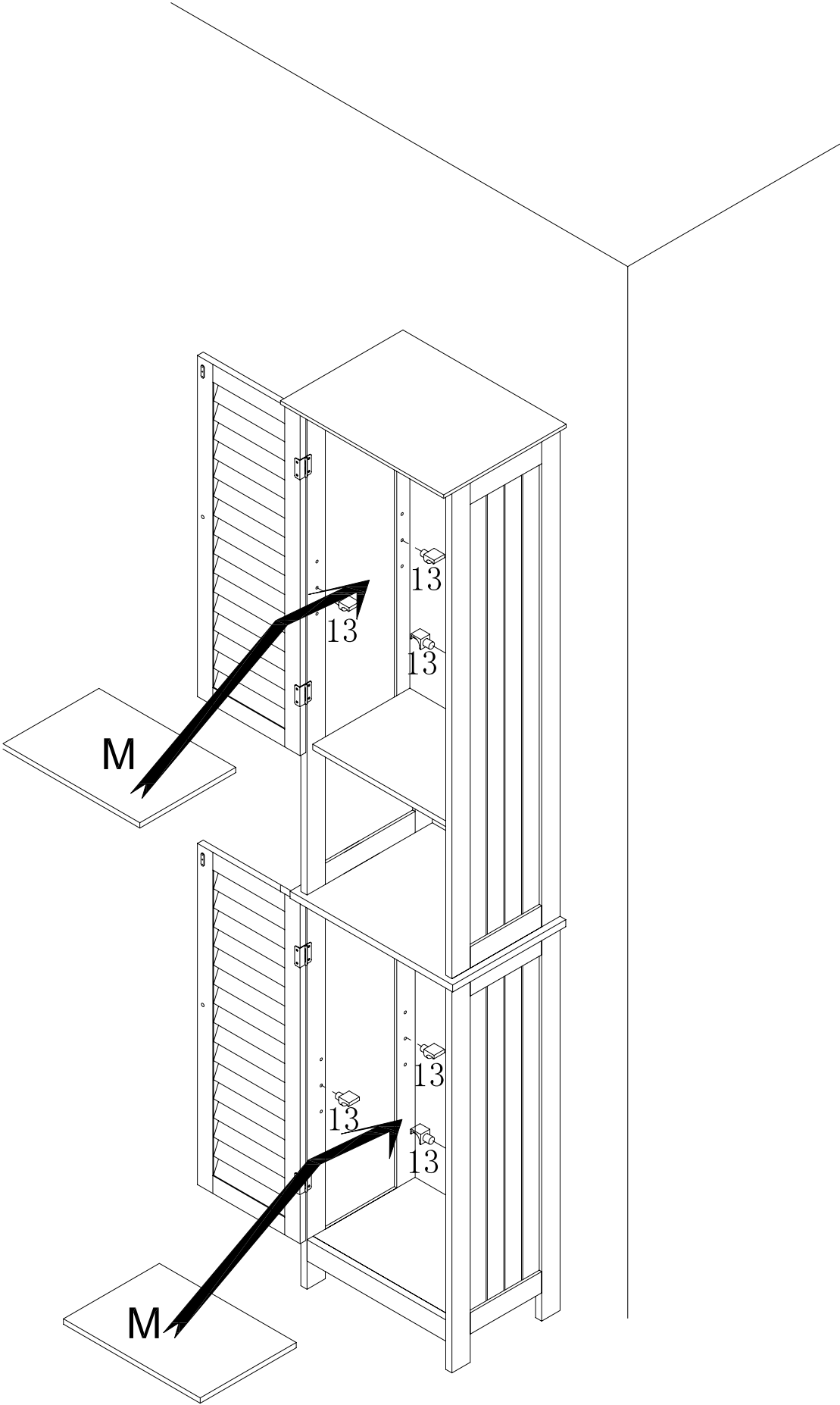


15x1pc



16x1pc

Step 10



13x8pcs