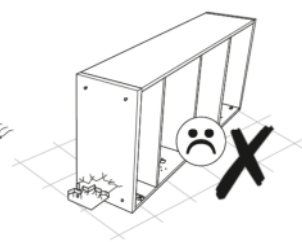
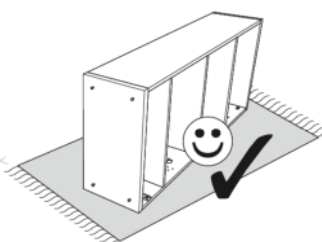
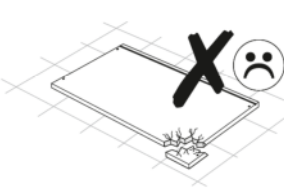
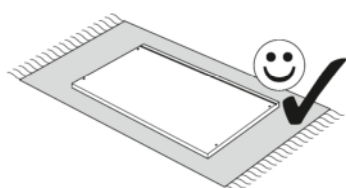
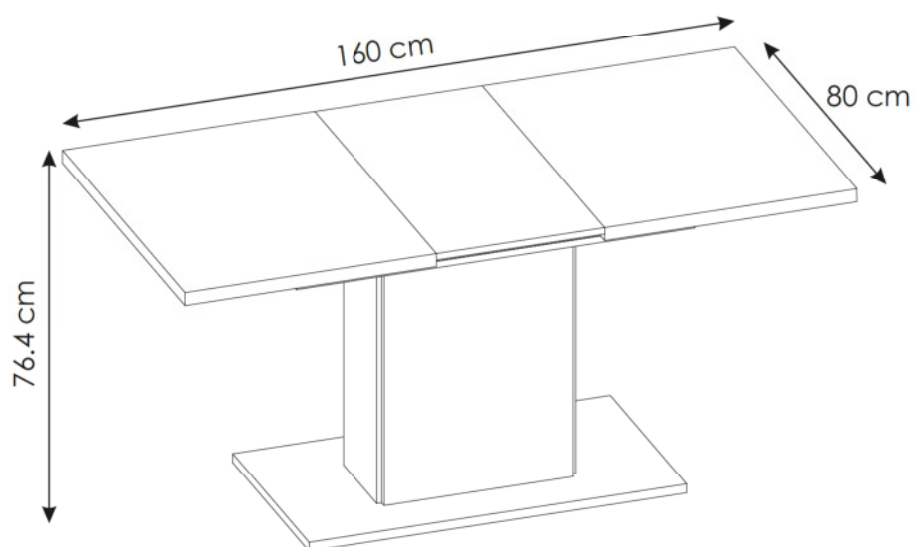
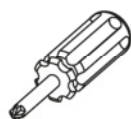
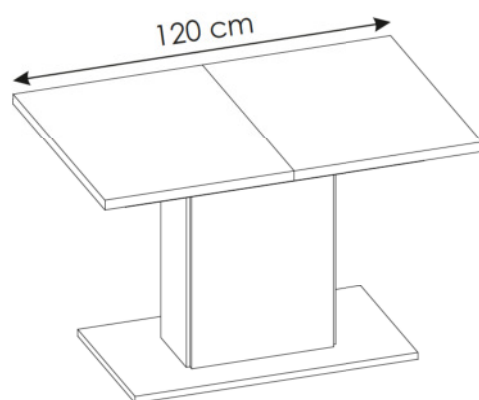
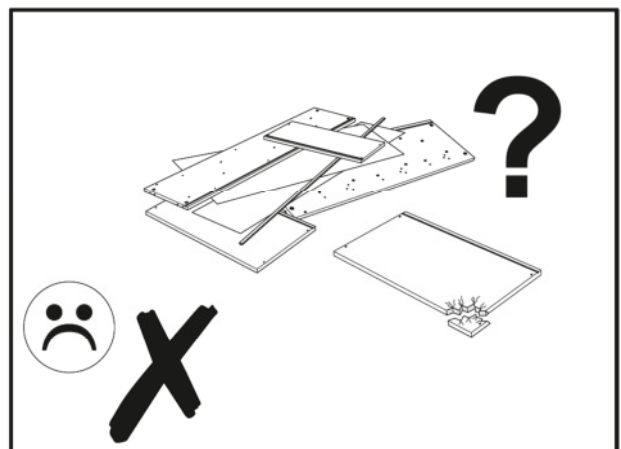
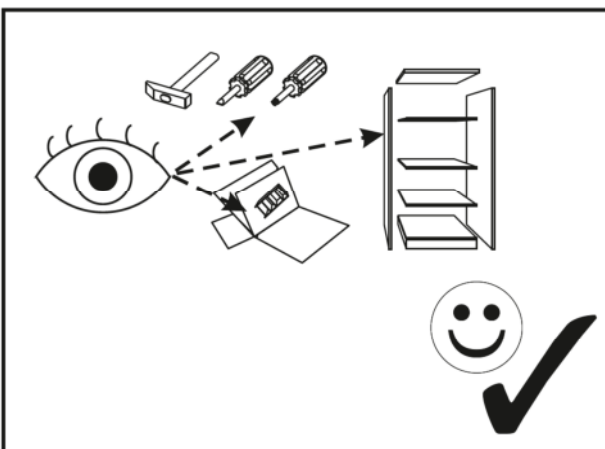
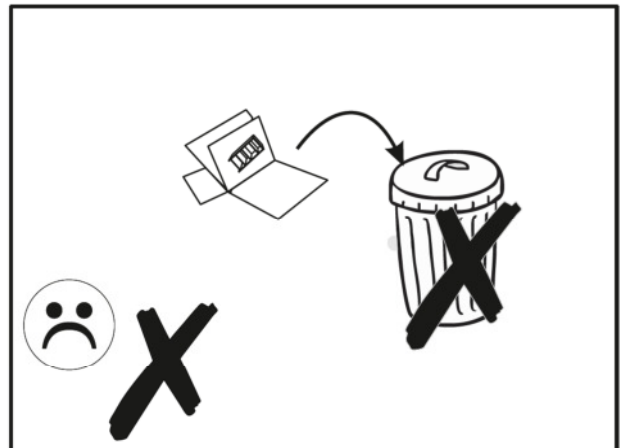
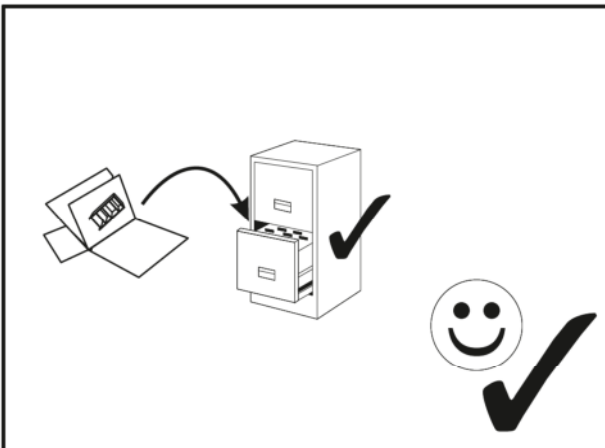
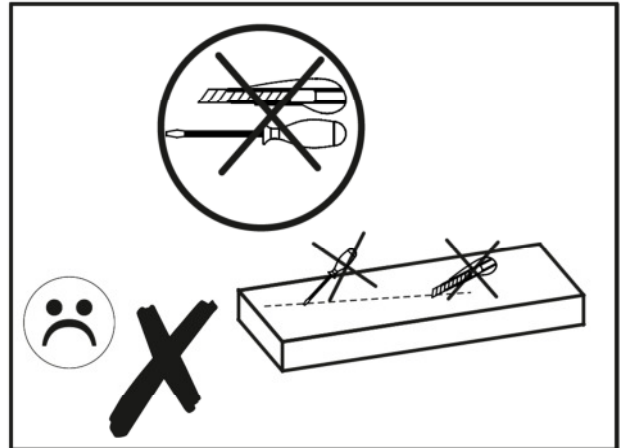
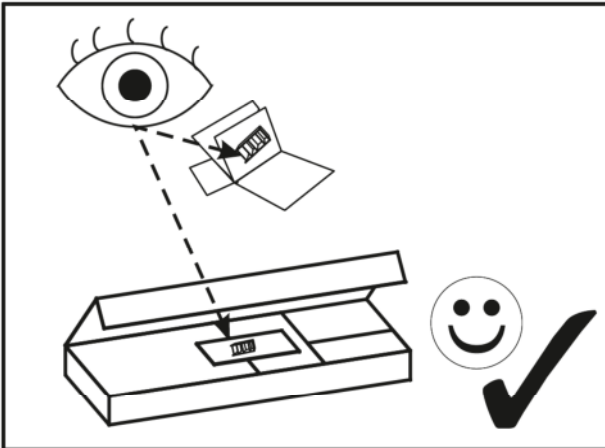


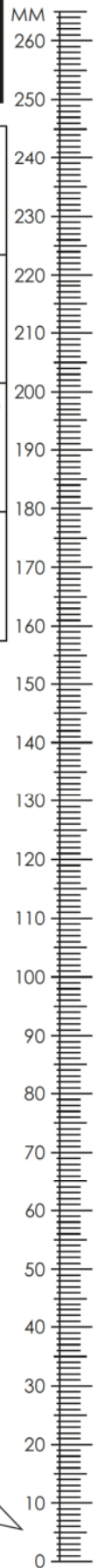
# ARIANA xxx-548



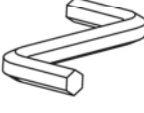


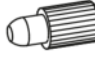


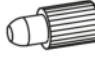



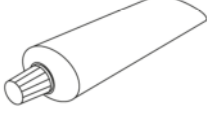


HELA Tische Möbel Vertriebs GmbH  
Scheidkamp 14  
D - 32584 Löhne

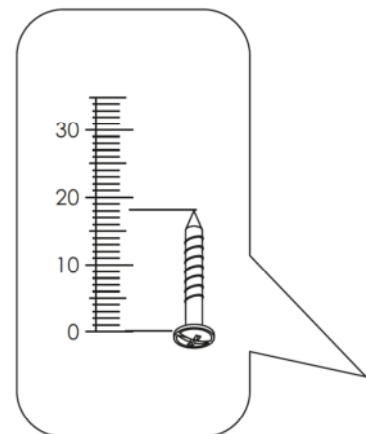




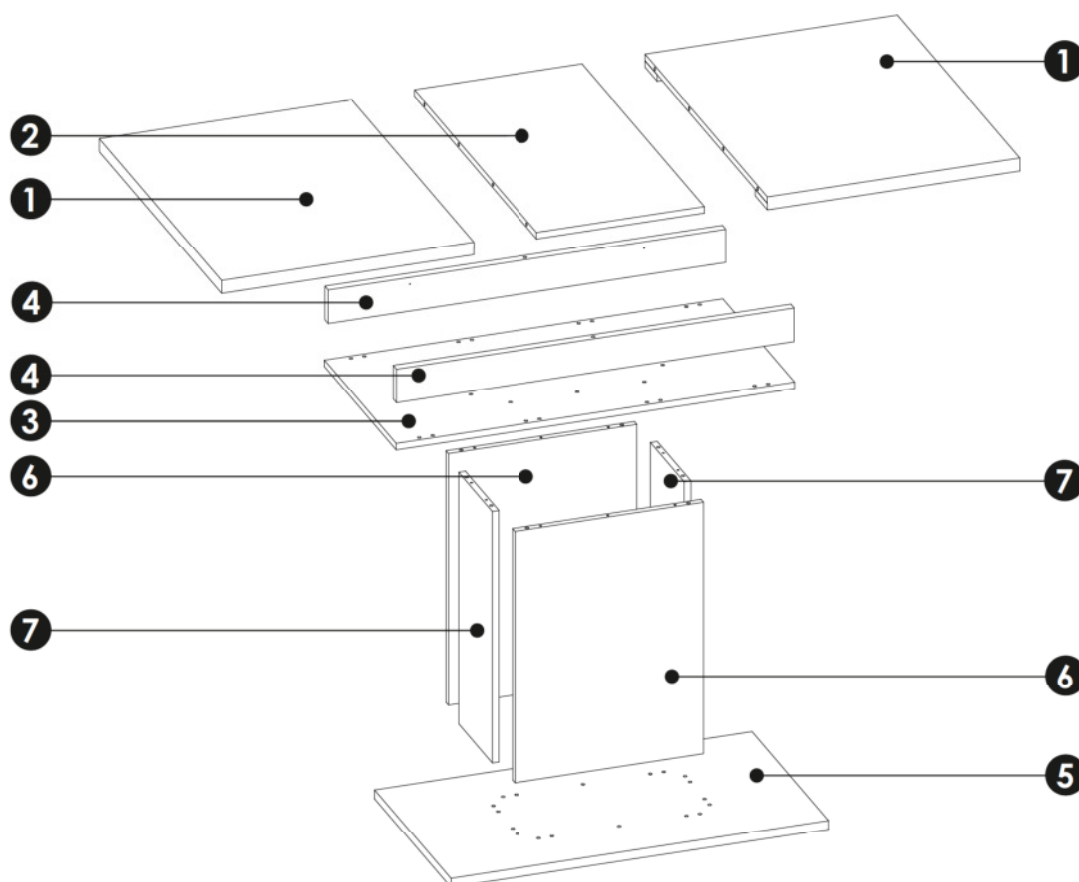
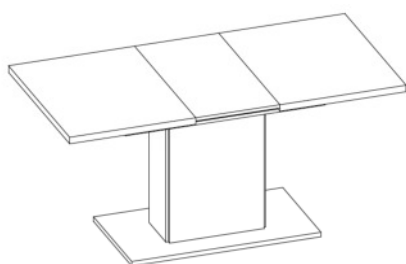
# ARIANA xxx-548



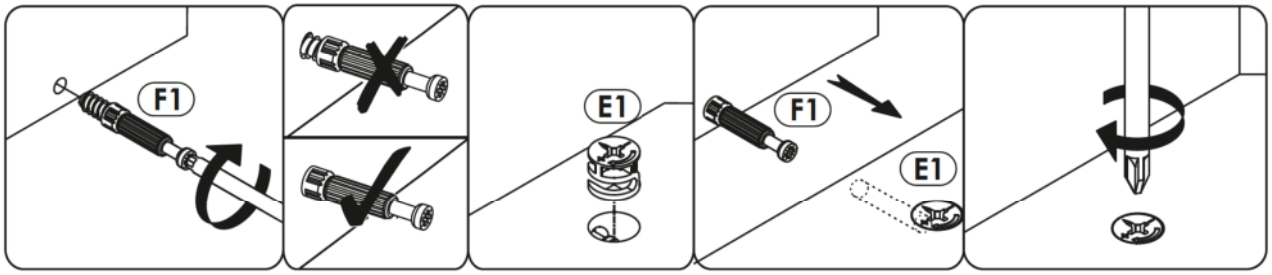
<b>A1</b>	8 x 35 mm	x24	<b>G0</b>		x18	<b>G2</b>	7 x 60 mm	x28
<b>I3</b>			<b>I4</b>	4 x 12 mm	x24	<b>M</b>		x1
<b>O2</b>	4 x 20 mm	x12	<b>O2A</b>			<b>R8</b>	 	x10
<b>O2</b>		x6	<b>O2A</b>	ø20	x8	<b>R8</b>	 	x10
<b>S</b>		x1	<b>S19</b>		x4	<b>T12</b>		x2
<b>S</b>		x1	<b>S19</b>		x4	<b>T12</b>		x2



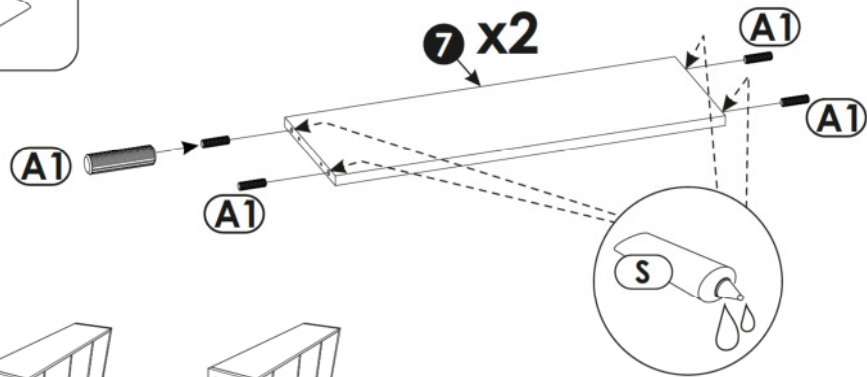
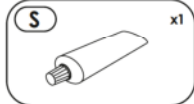
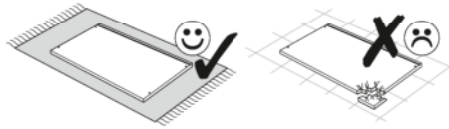
# ARIANA xxx-548



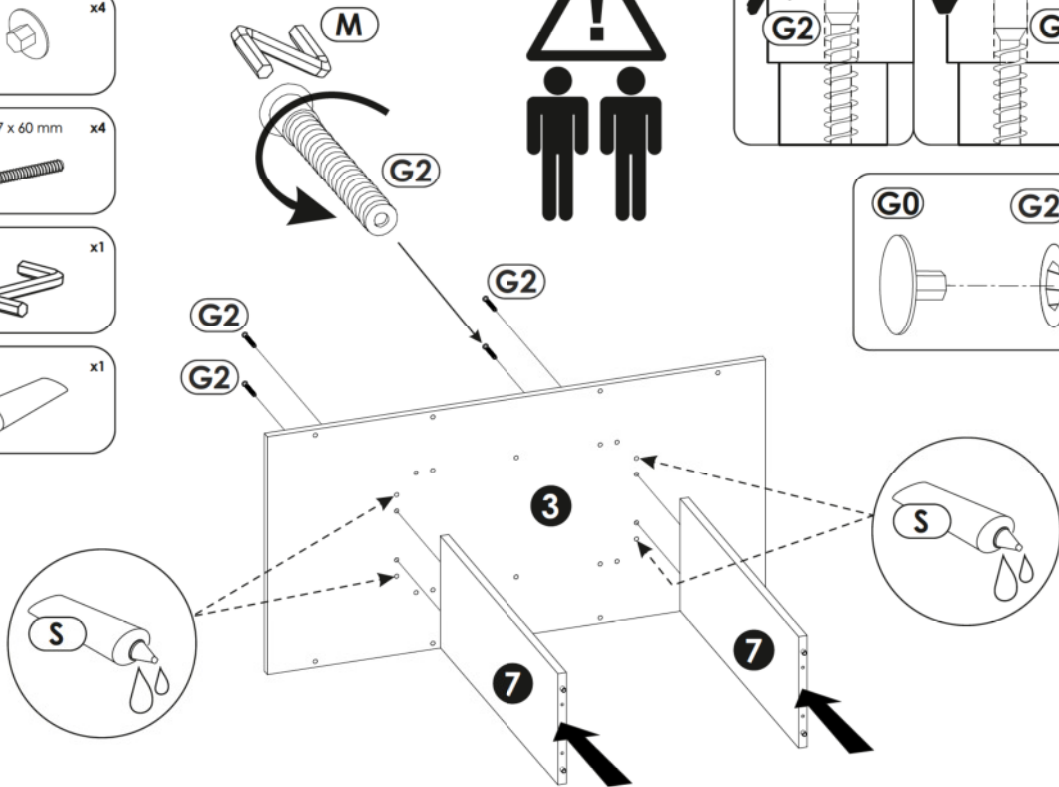
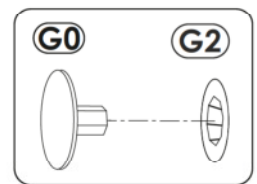
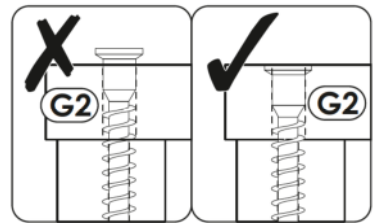
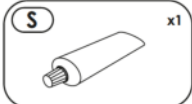
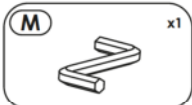
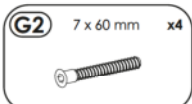
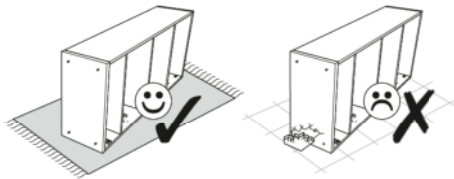
<b>1</b>	800	600	32	x2	2/2
<b>2</b>	800	400	16	x1	2/2
<b>3</b>	470	950	16	x1	1/2
<b>4</b>	83	948	22	x2	1/2
<b>5</b>	900	500	22	x1	1/2
<b>6</b>	620	450	16	x2	1/2
<b>7</b>	620	220	16	x2	1/2



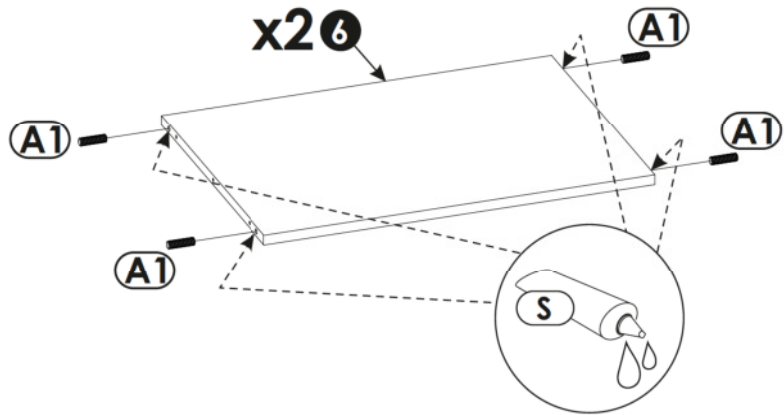
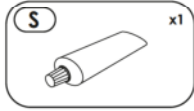
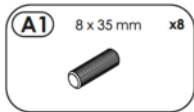
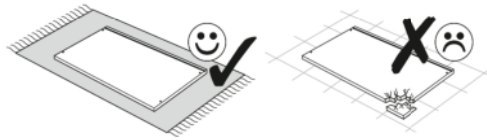
1 ▶



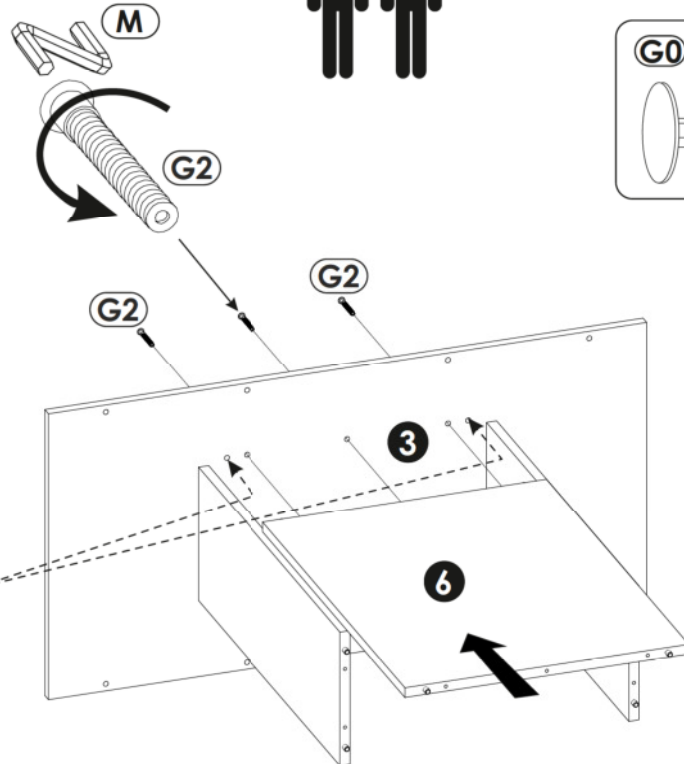
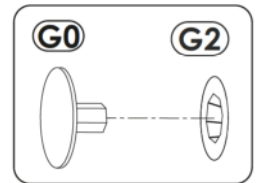
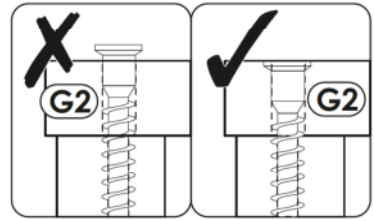
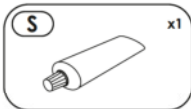
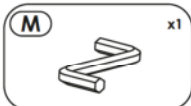
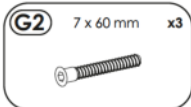
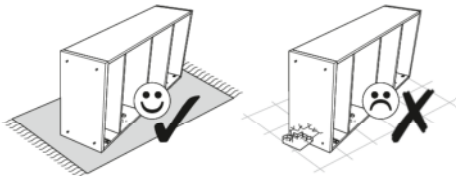
2 ▶



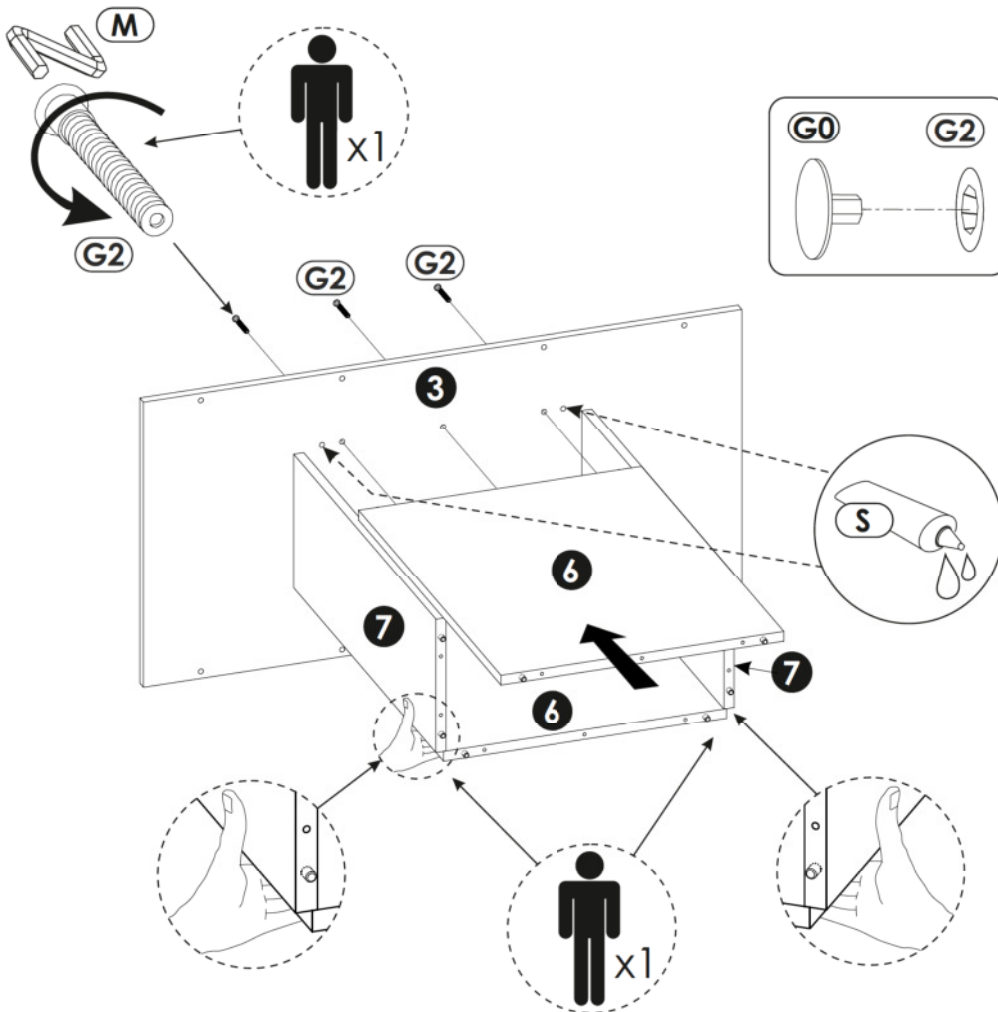
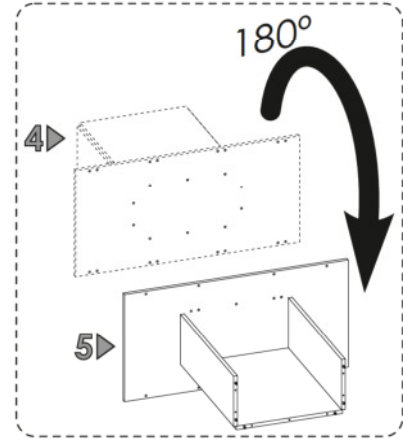
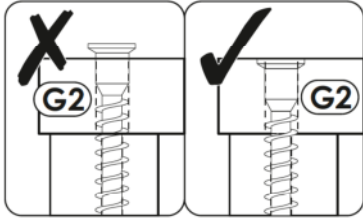
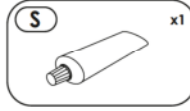
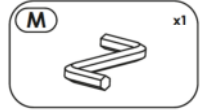
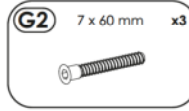
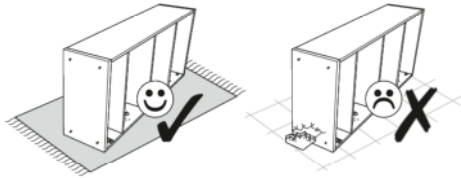
3 ▶



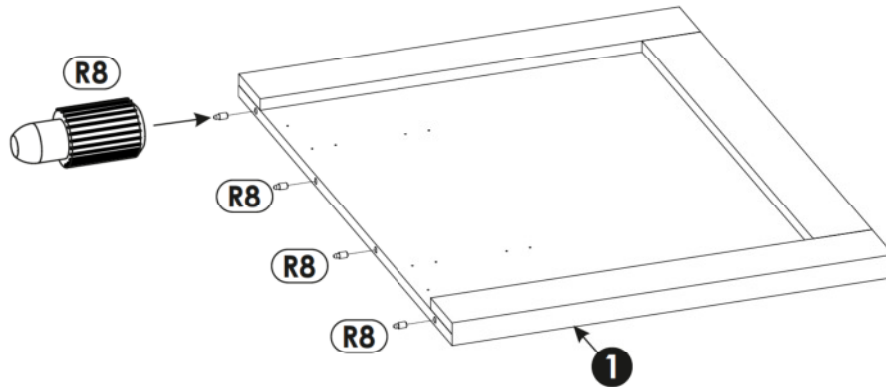
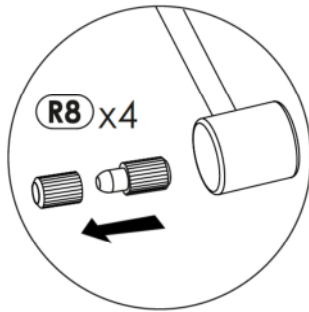
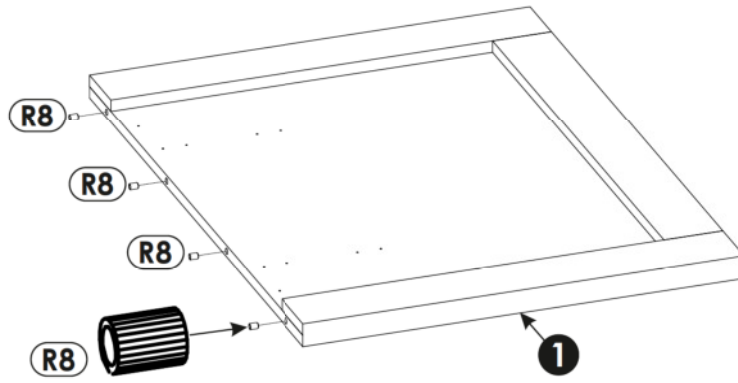
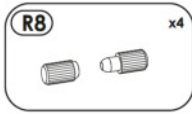
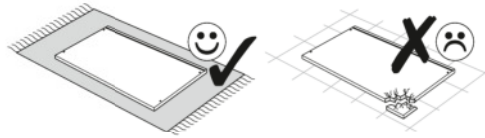
4 ▶



5 ▶

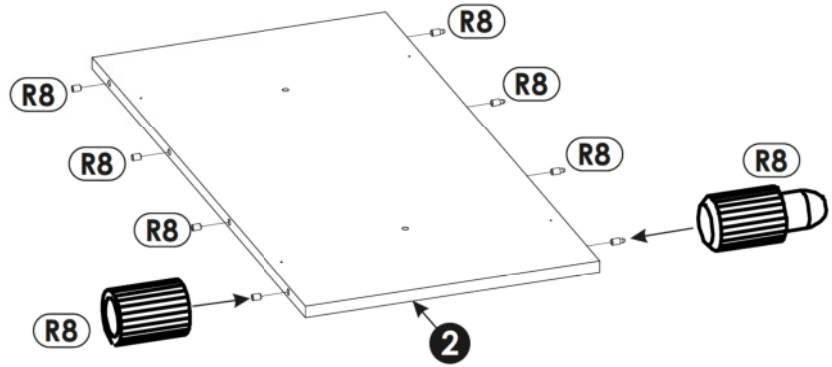
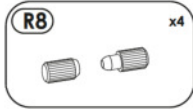
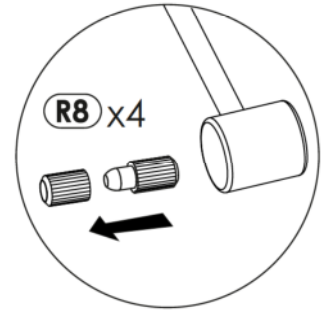
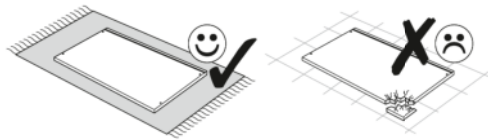


6▶

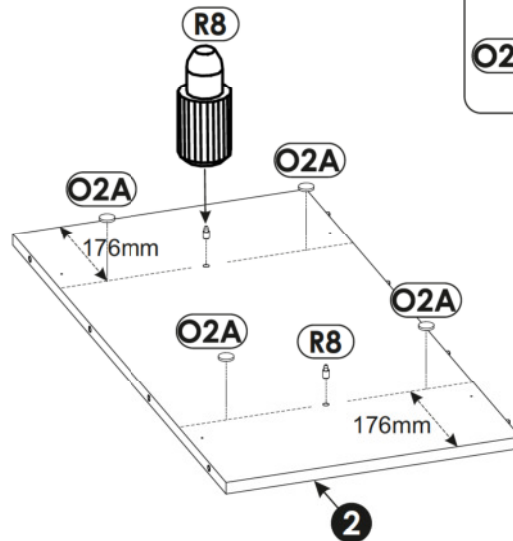
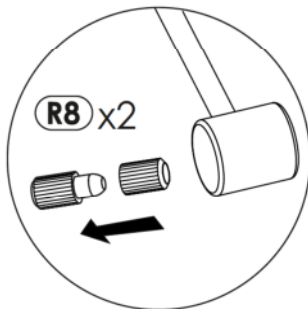
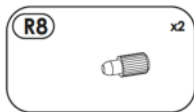
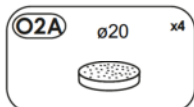
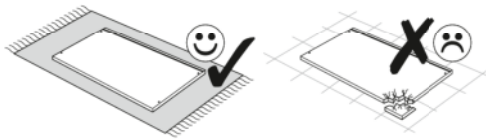




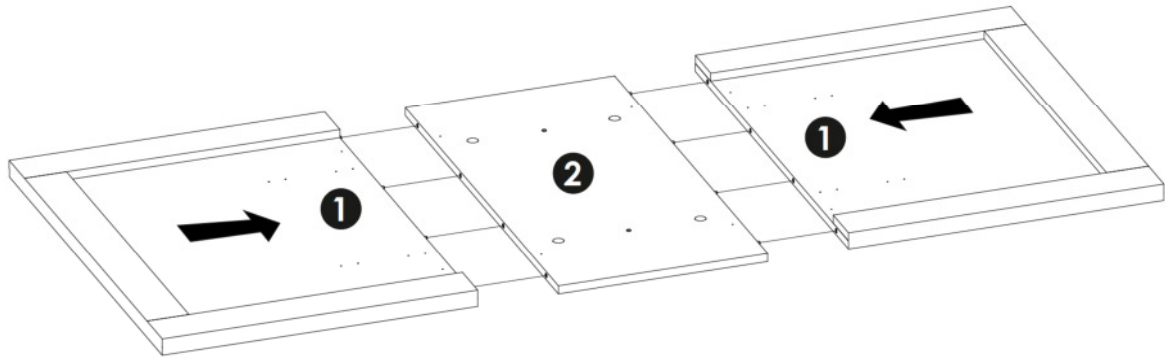
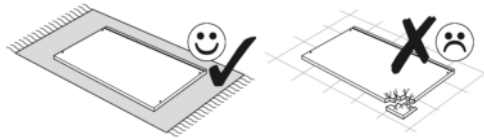
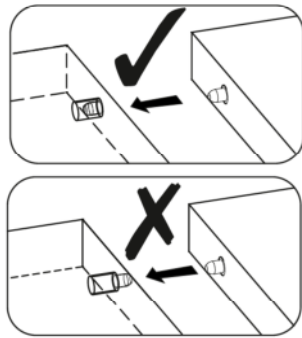
7 ▶



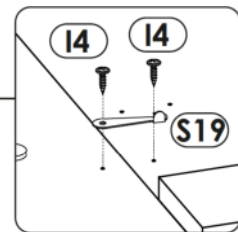
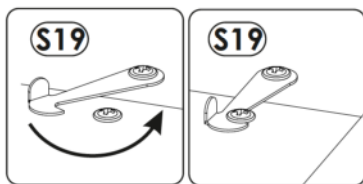
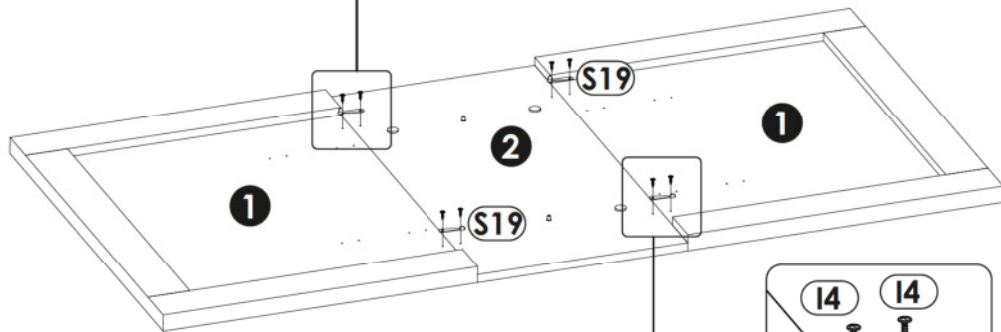
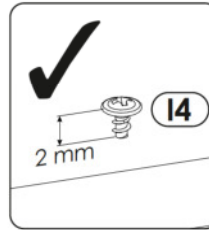
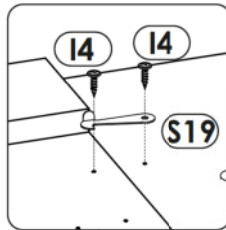
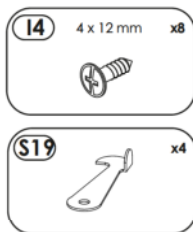
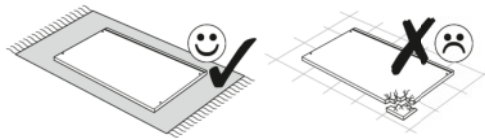
8 ▶



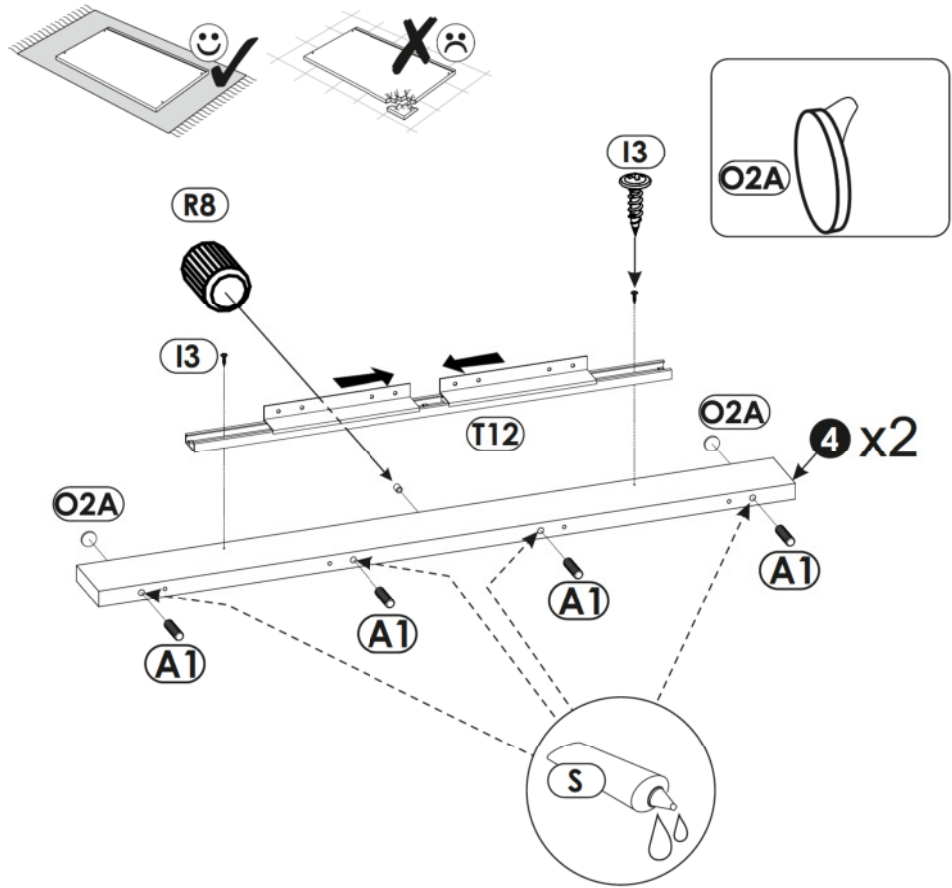
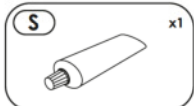
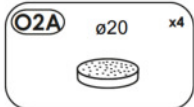
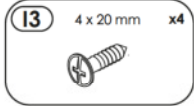
9 ▶



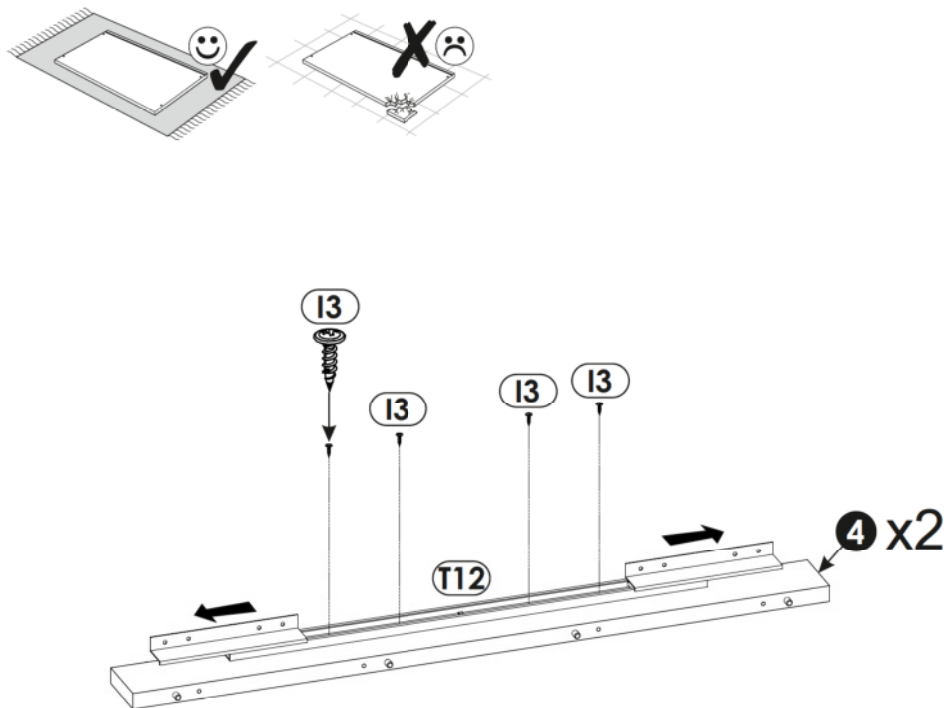
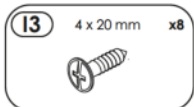
10 ▶



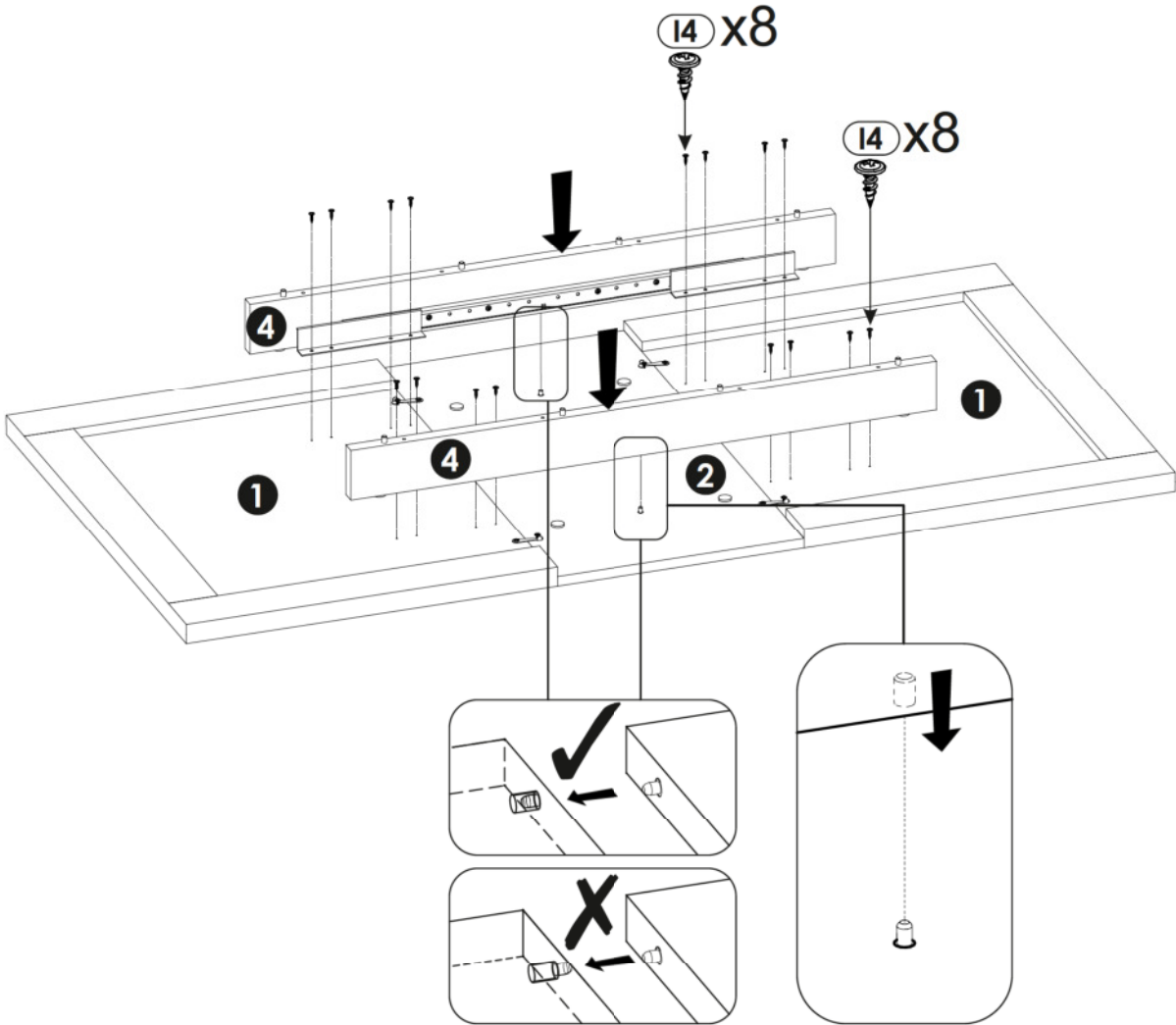
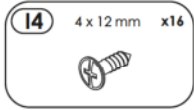
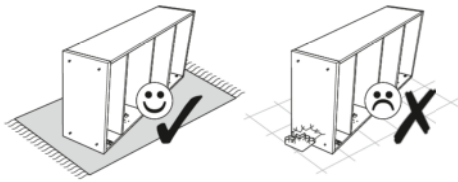
# 11 ▶



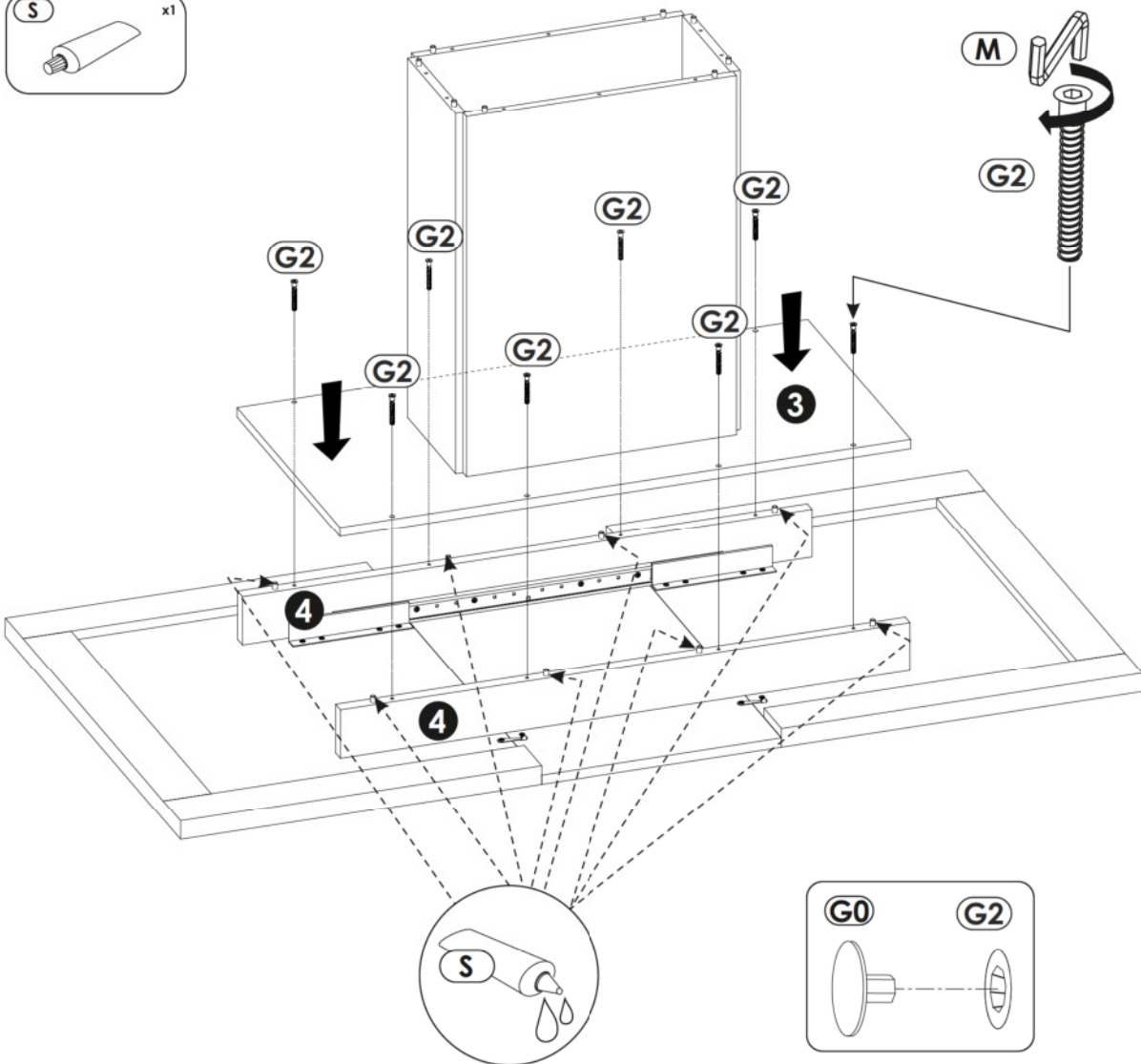
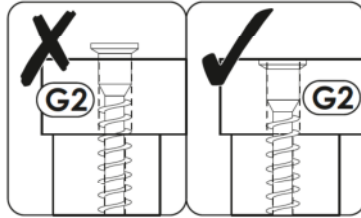
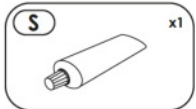
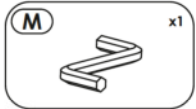
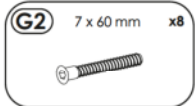
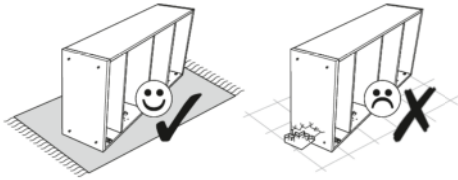
# 12 ▶



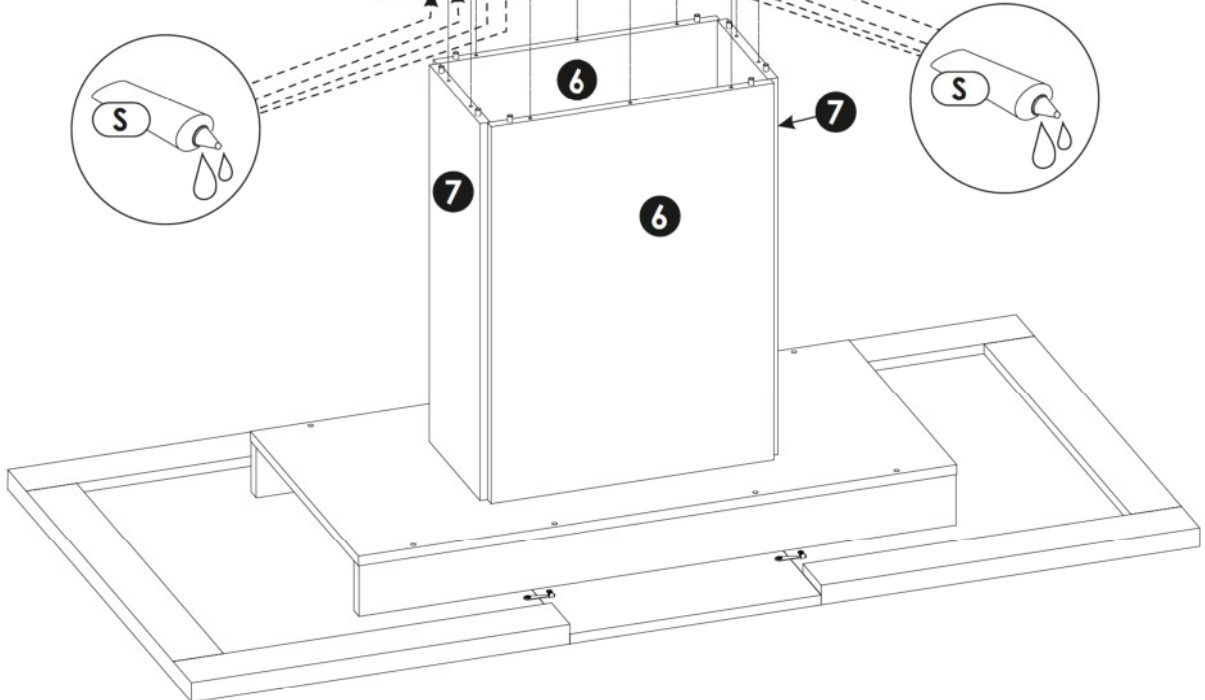
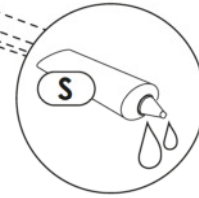
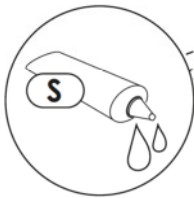
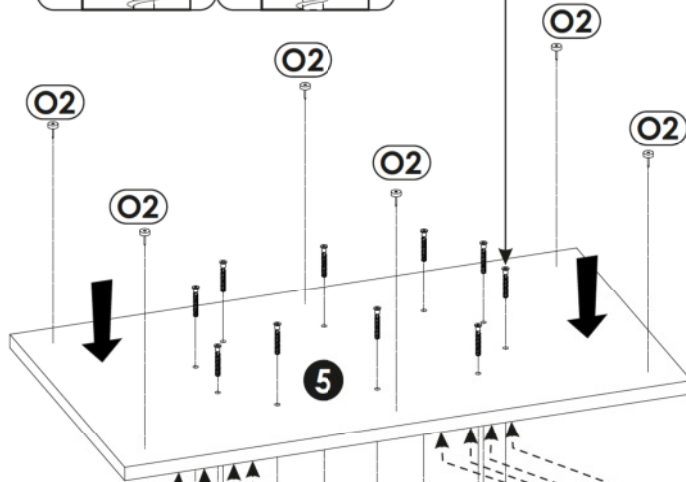
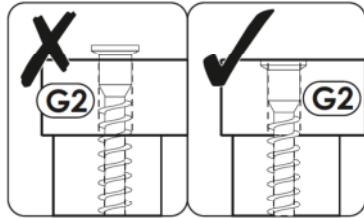
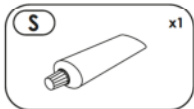
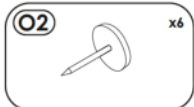
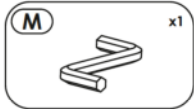
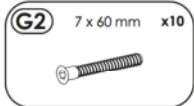
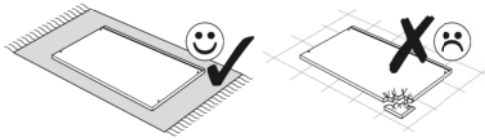
13 ▶



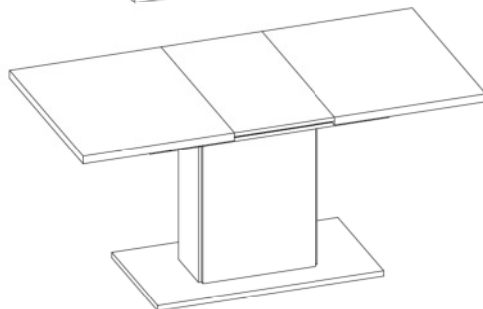
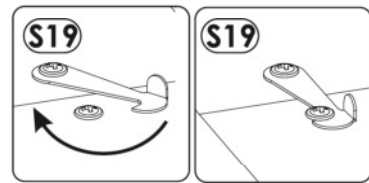
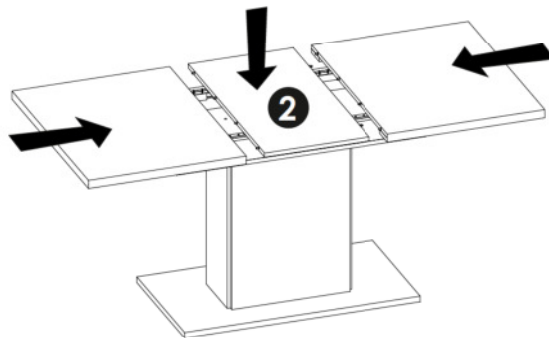
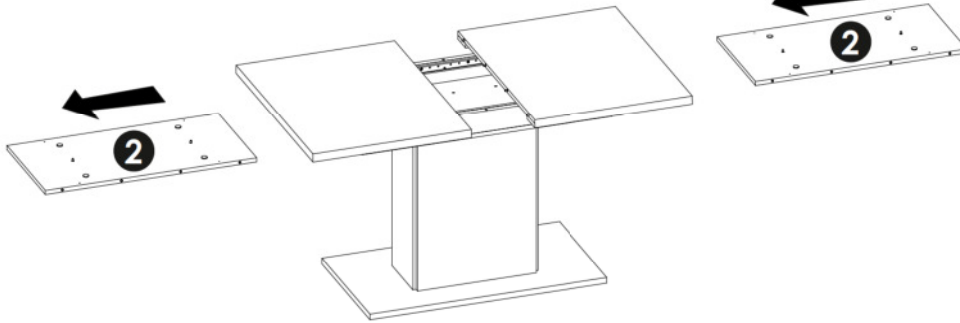
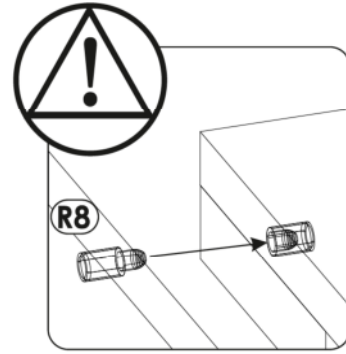
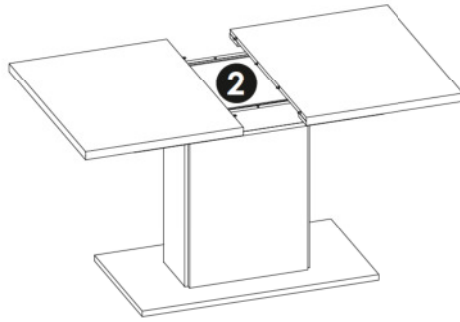
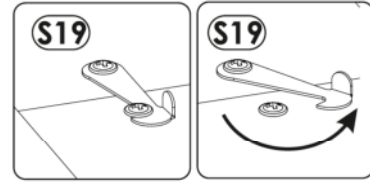
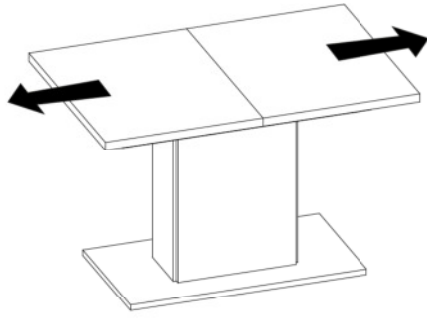
14▶



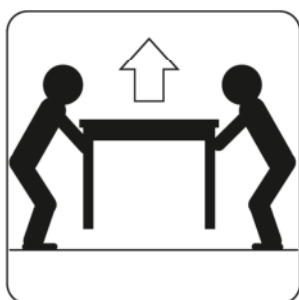
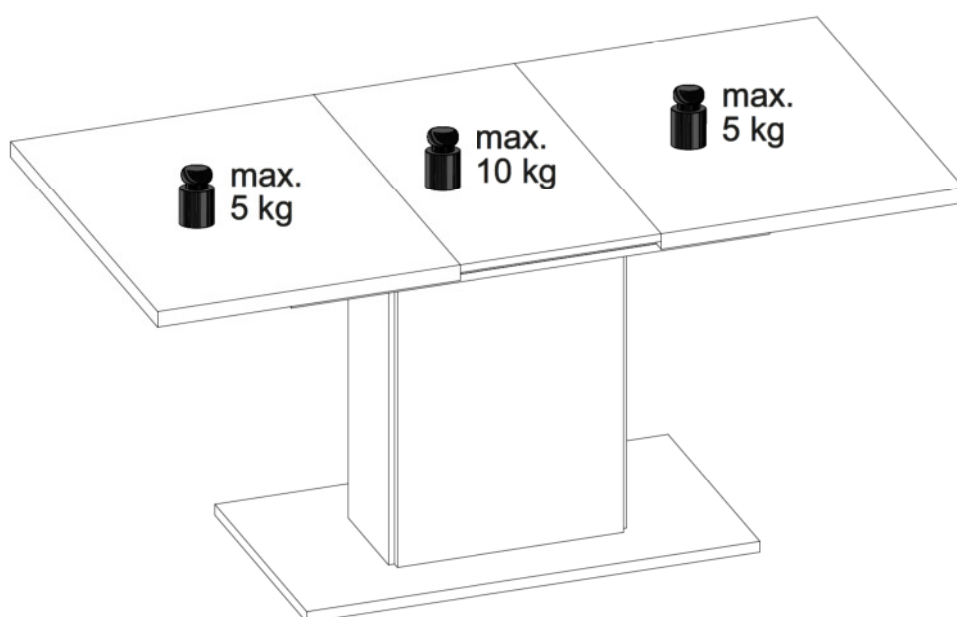
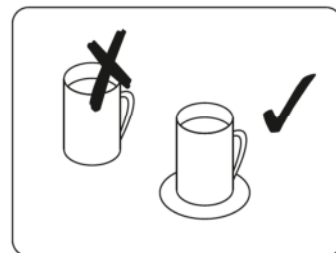
15 ▶



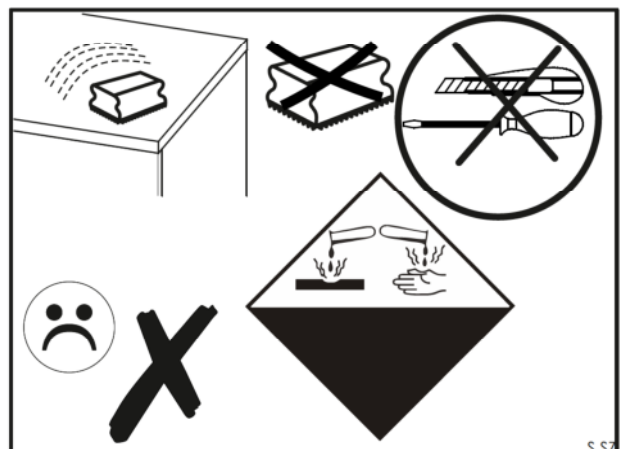
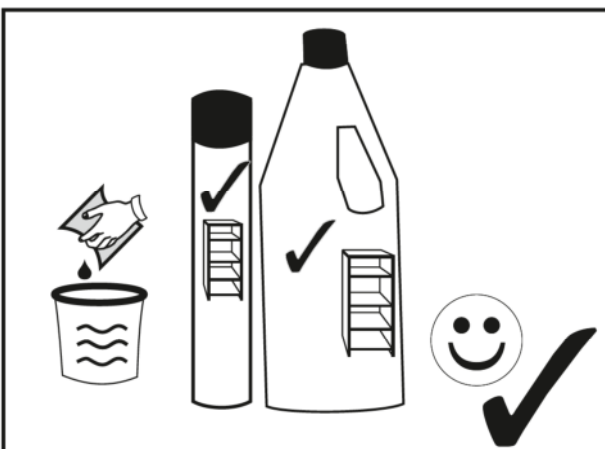
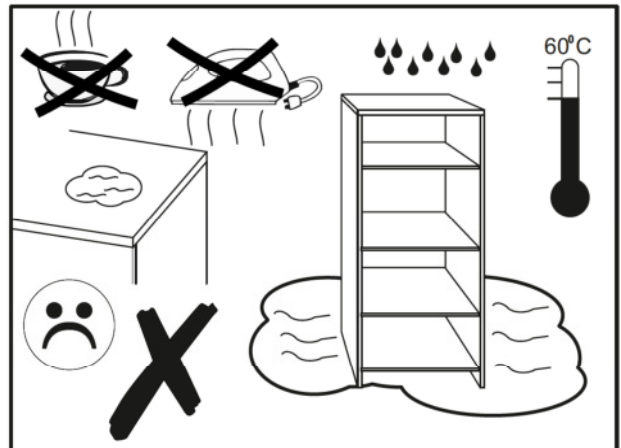
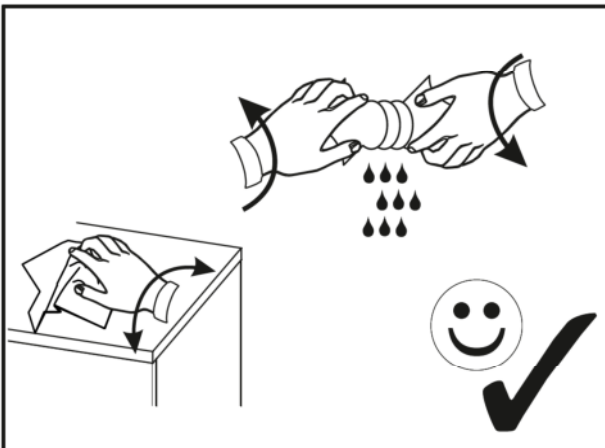
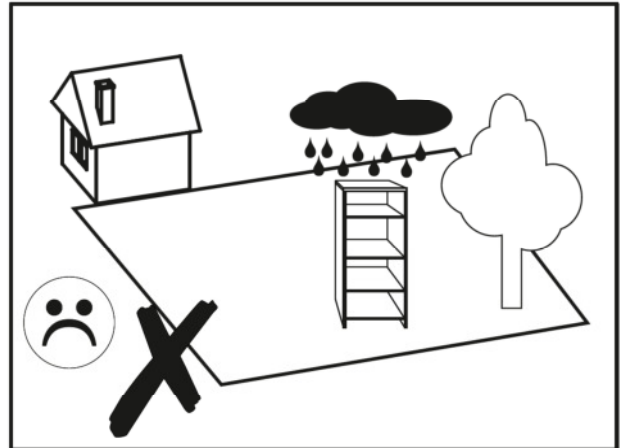
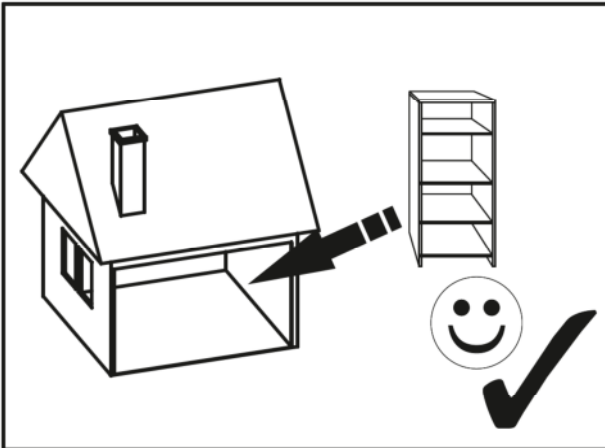
16▶



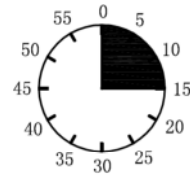
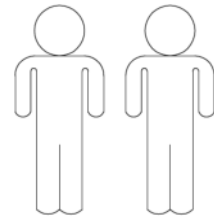
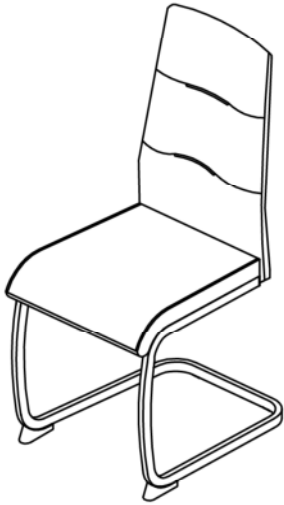
17▶







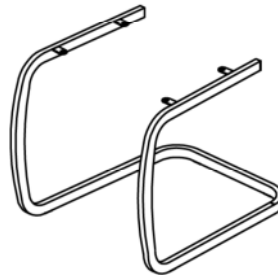
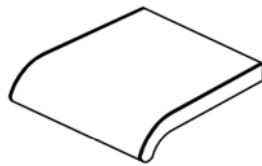
# Ria




1


2


3





1	1X
2	1X
3	1X


**A** M6\*12  
  
 4X

**B** M6\*18  
  
 4X

**C** Ø18\*Ø6.5\*1.5  
  
 4X

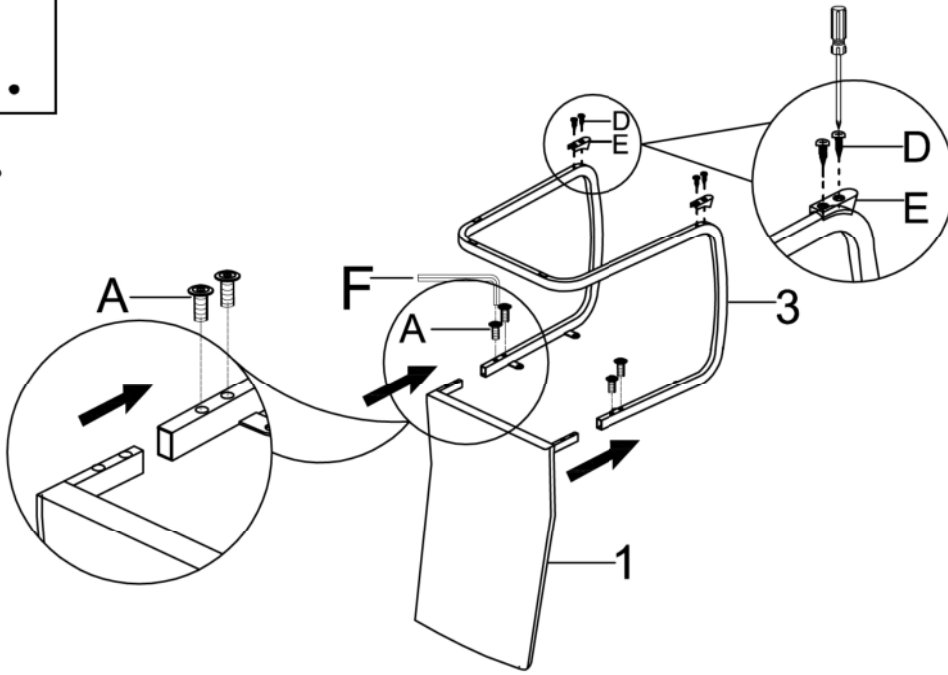
**D** M4\*20  
  
 4X

**E**  
  
 2X

**F** 4mm  
  
 1X

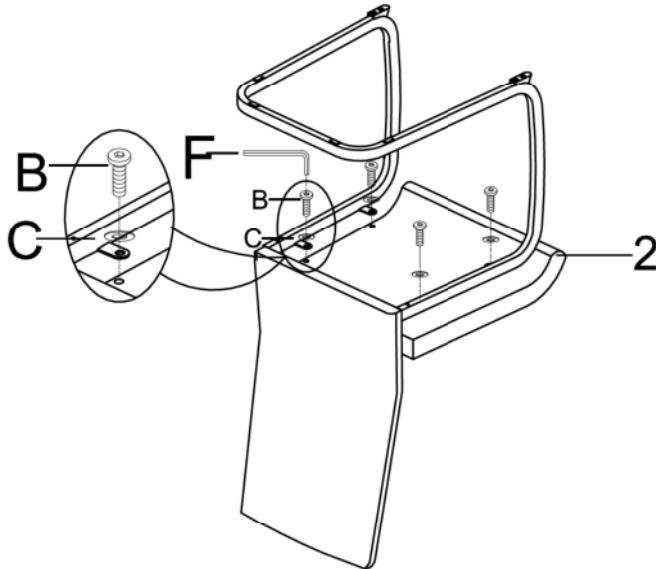
I.

1.



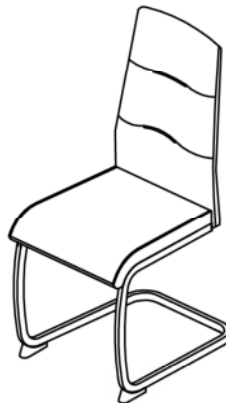
A	M6*12	4X
D	M4*20	4X
E		2X
F	4mm	1X

2.



B	M6*18	4X
C	Ø18*Ø6.5*1.5	4X
F	4mm	1X

3.



F	4mm	1X

