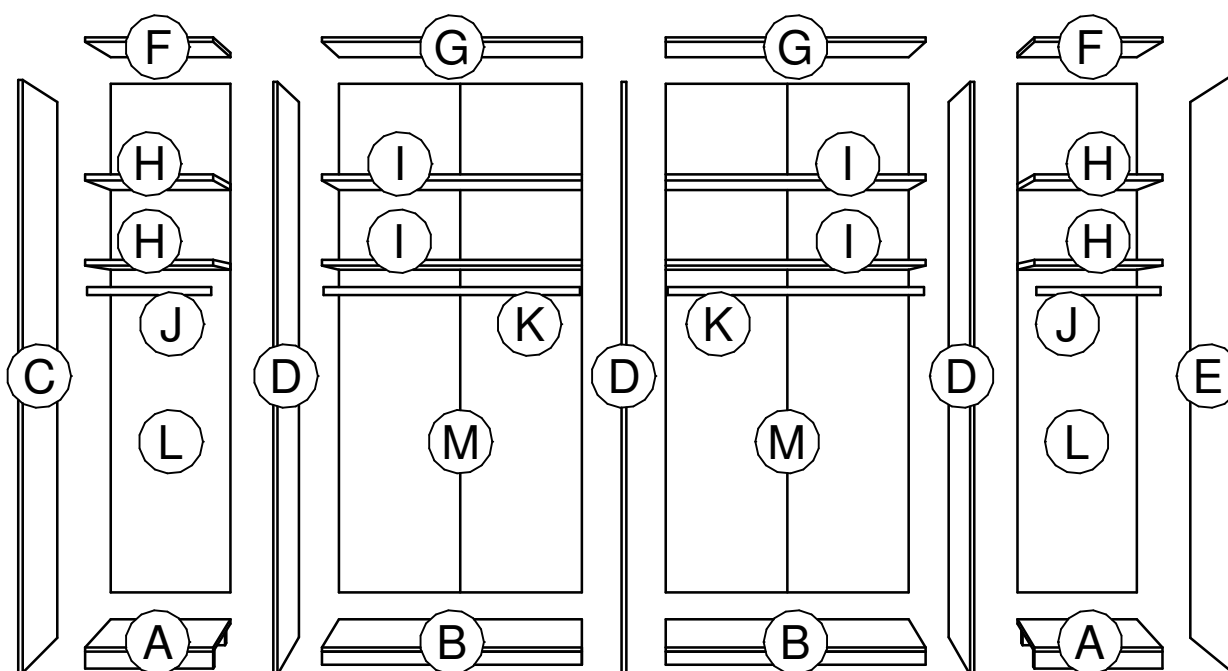
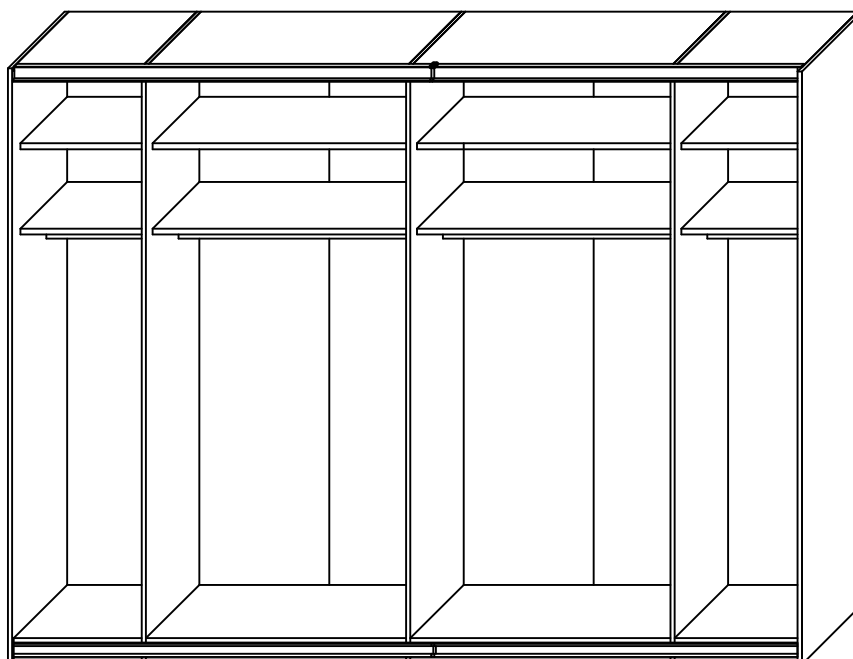


300er



260er

480	784	784	480
-----	-----	-----	-----



280er

576	784	784	576
-----	-----	-----	-----

880	976	880
-----	-----	-----

300er

480	976	976	480
-----	-----	-----	-----

976	976	976
-----	-----	-----

320er

576	976	976	576
-----	-----	-----	-----

976	1168	976
-----	------	-----

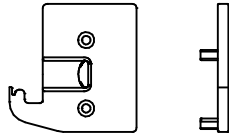
340er

480	1168	1168	480
-----	------	------	-----

1168	976	1168
------	-----	------

1.

660.4671.000



①

1 x

632.0038.000

4 x 14 mm

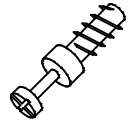


②

2 x

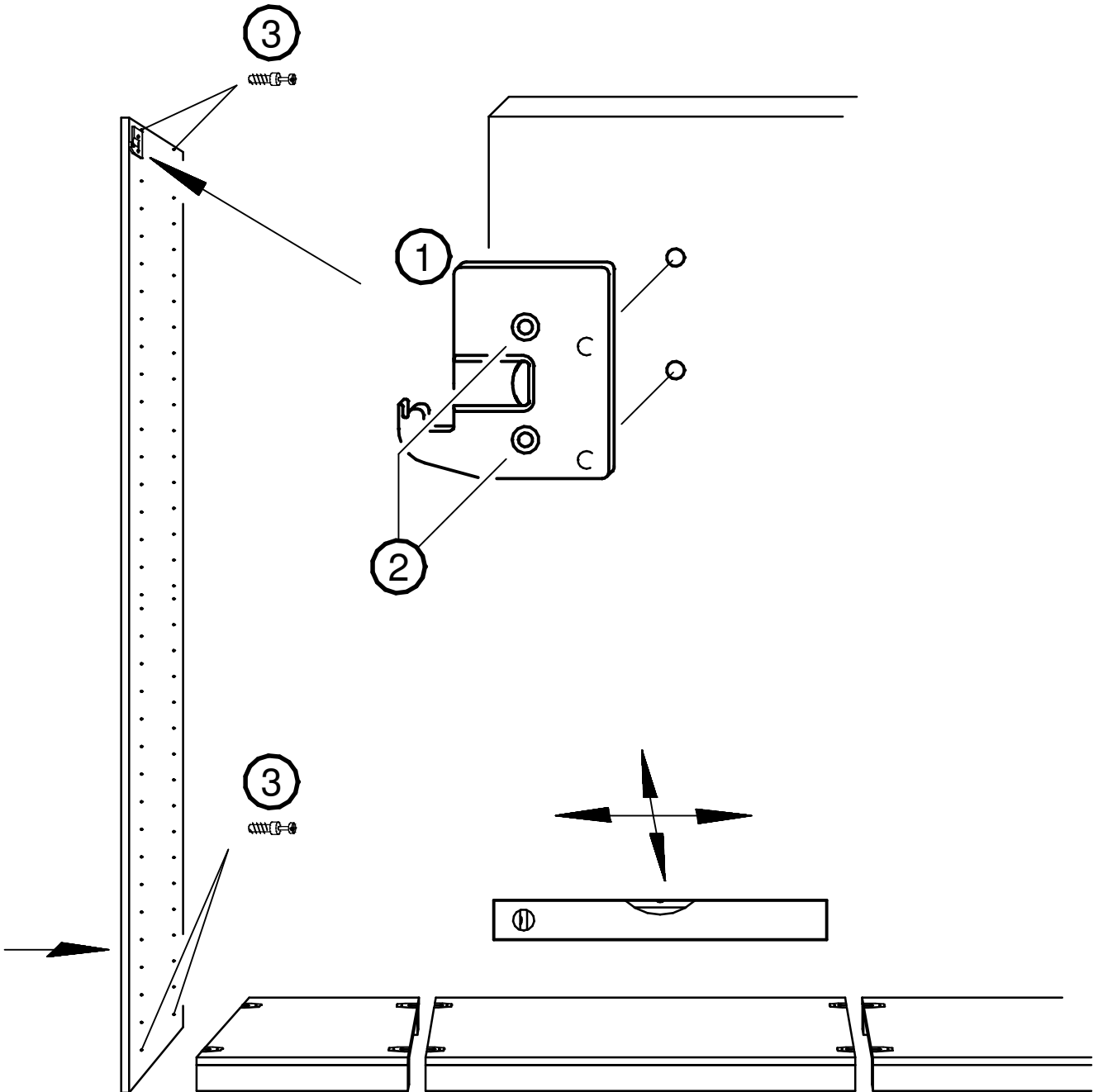
641.0227.000

12 mm

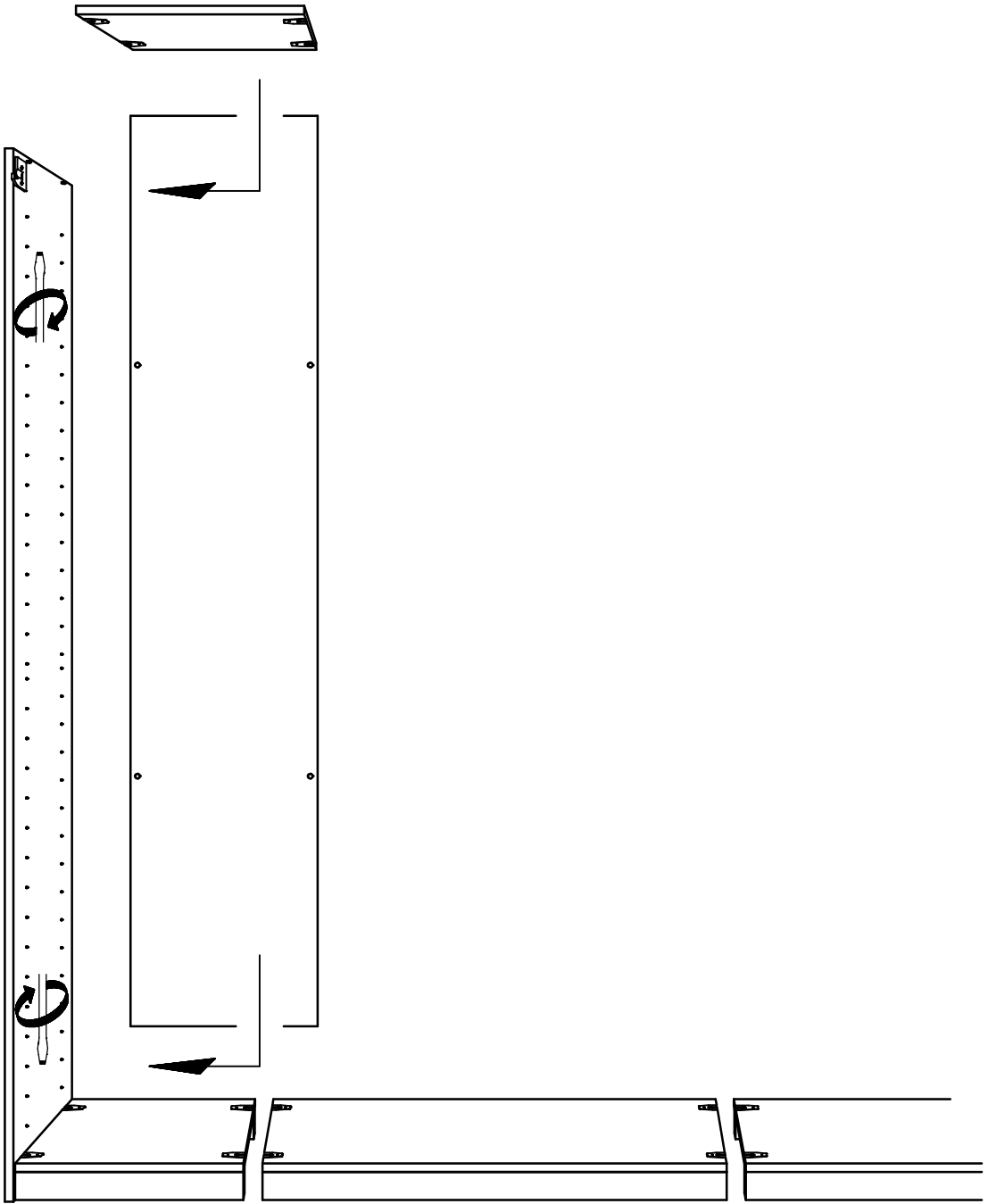


③

4 x



2.



621.2930.000

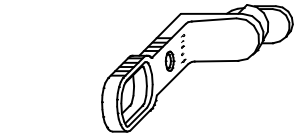
631.1266.000

6,3 x 11 mm

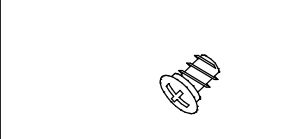
631.1472.000

3,5 x 15 mm

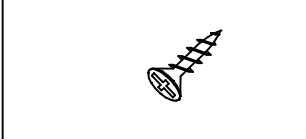
641.0226.000



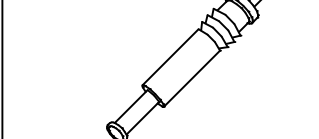
④



⑤

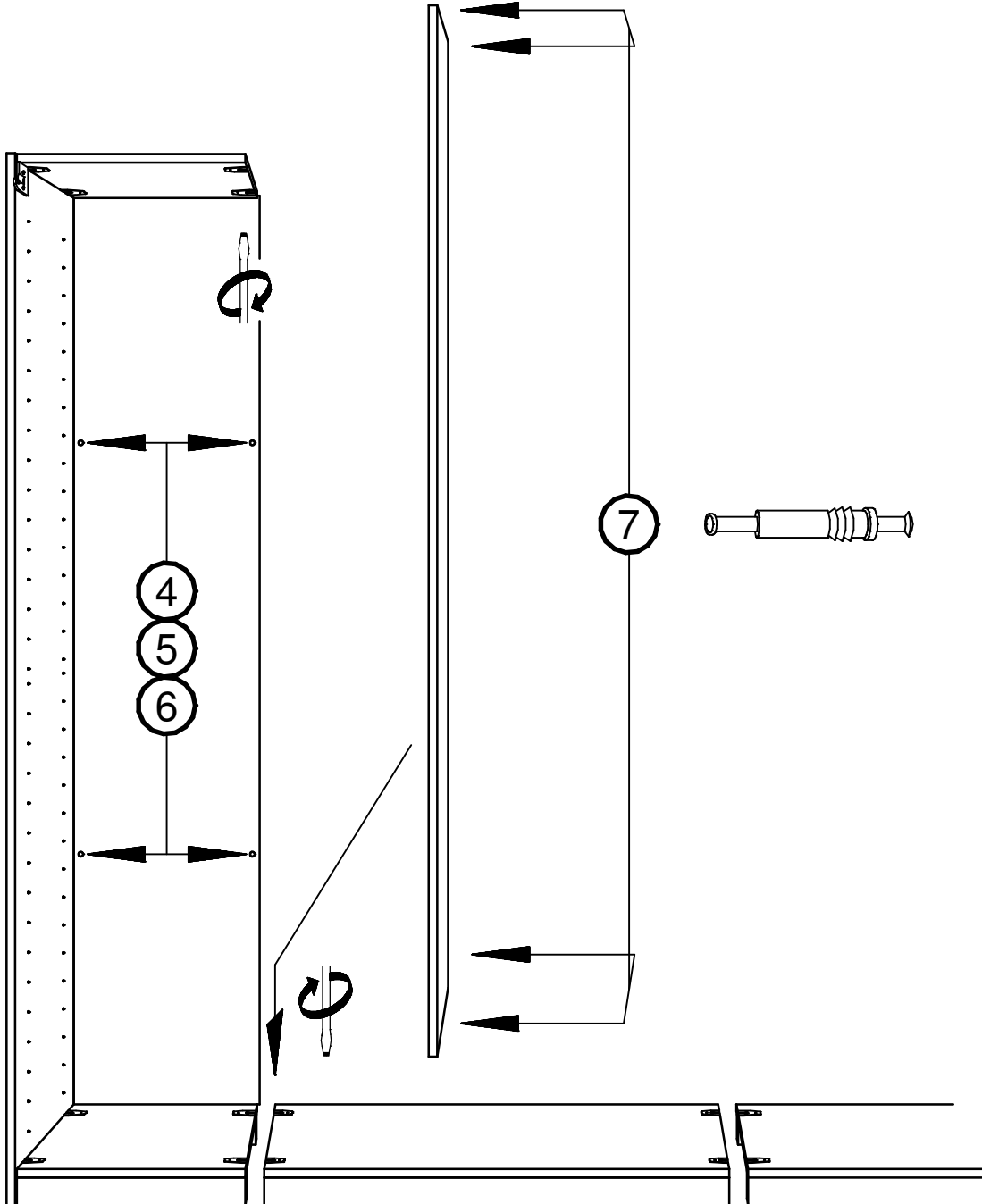


⑥

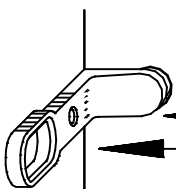


⑦

3.

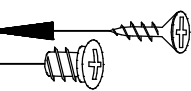





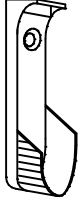
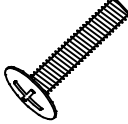
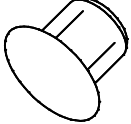
④

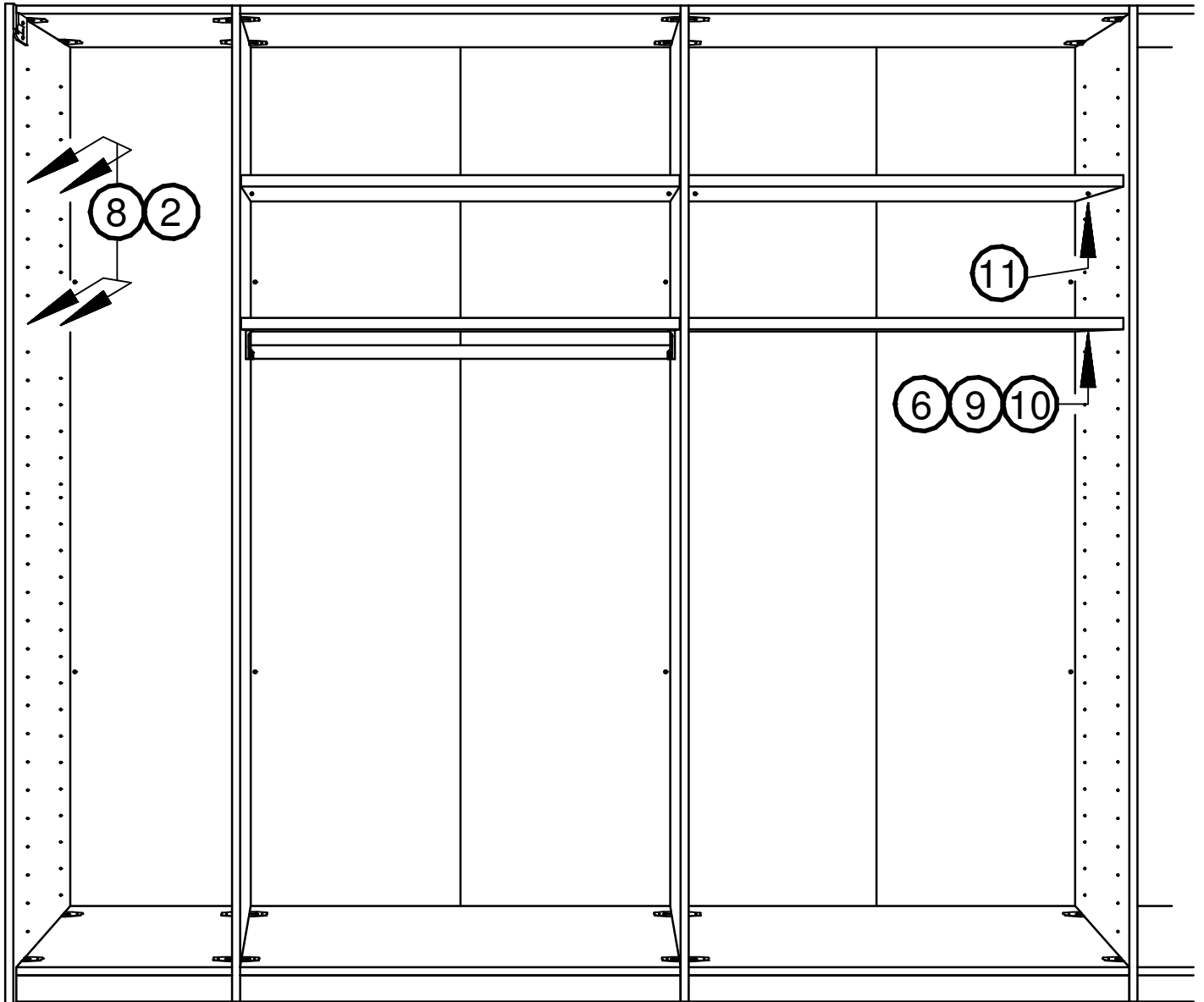


⑥

⑤



<p>641.0204.000</p>  <p>⑧</p>	<p>632.0038.000 4 x 14 mm</p>  <p>②</p>	<p>631.1472.000 3,5 x 15 mm</p>  <p>⑥</p>	<p>621.0067.000</p>  <p>⑨</p>
<p>4.</p>	<p>632.0517.000 M6 x 30 mm</p>  <p>⑩</p>		 <p>⑪</p>



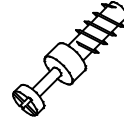
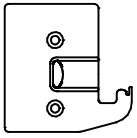
660.4670.000

632.0038.000

4 x 14 mm

641.0227.000

12 mm



⑫

1 x

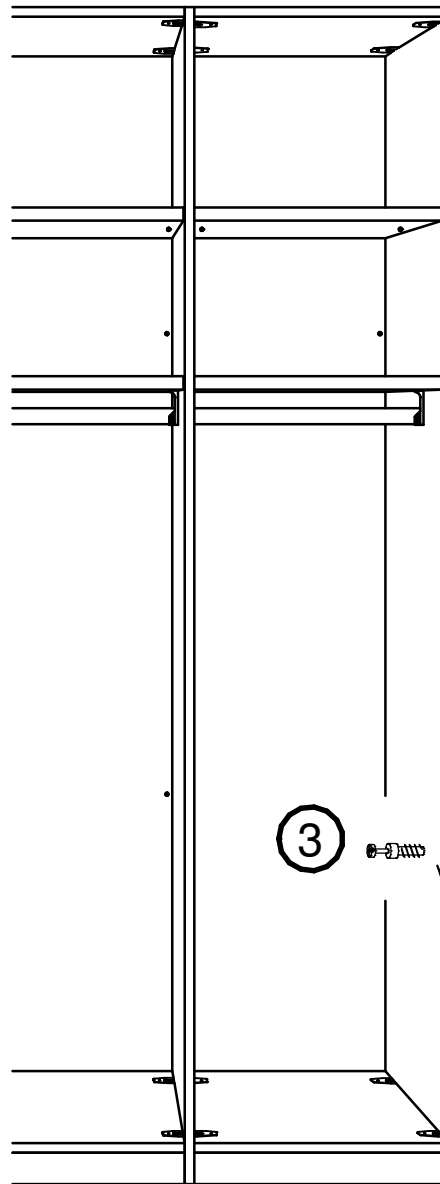
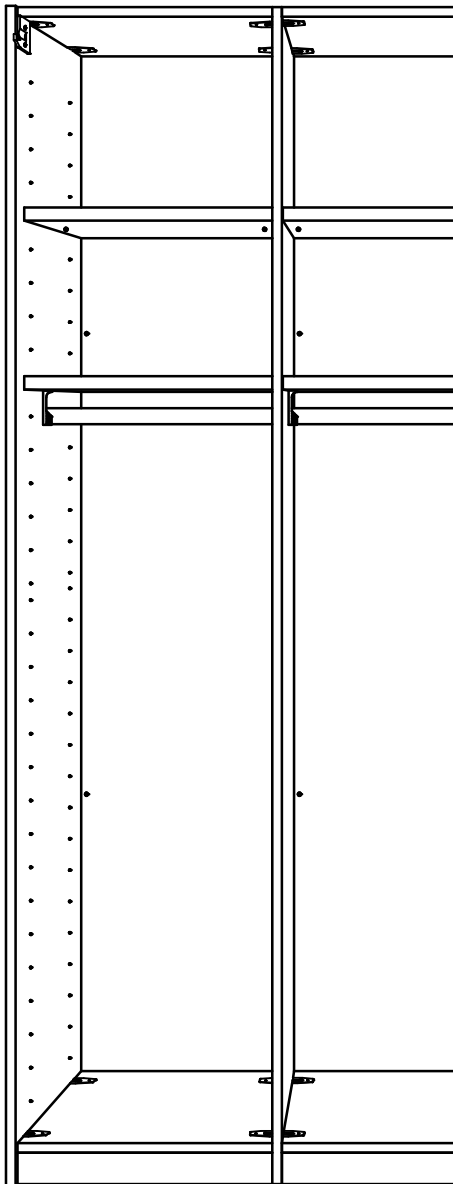
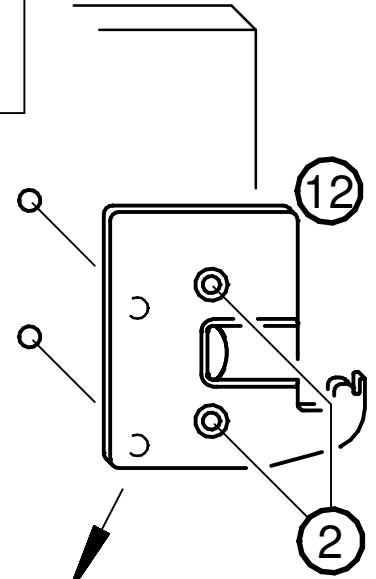
②

2 x

③

4 x

5.



660.4676.000



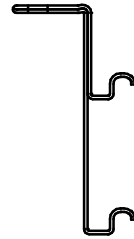
13

660.4677.000

M4x12

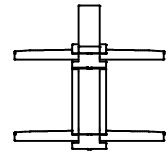


14



15

660.4668.000

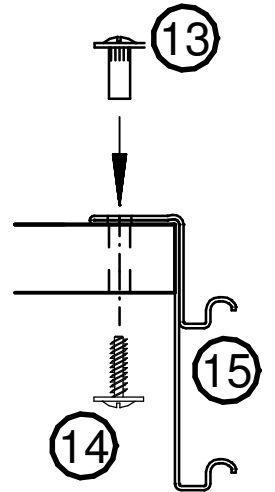
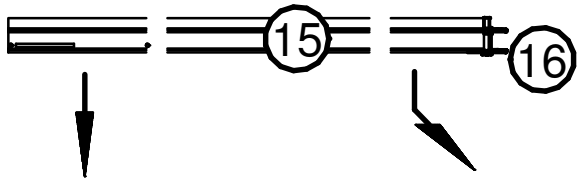
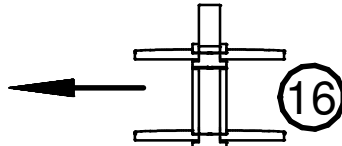
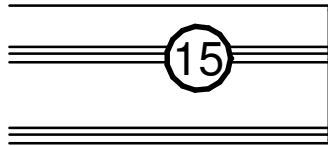


16

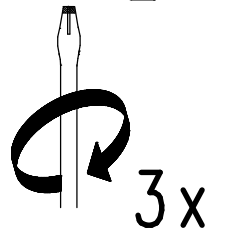
1 x

1 x

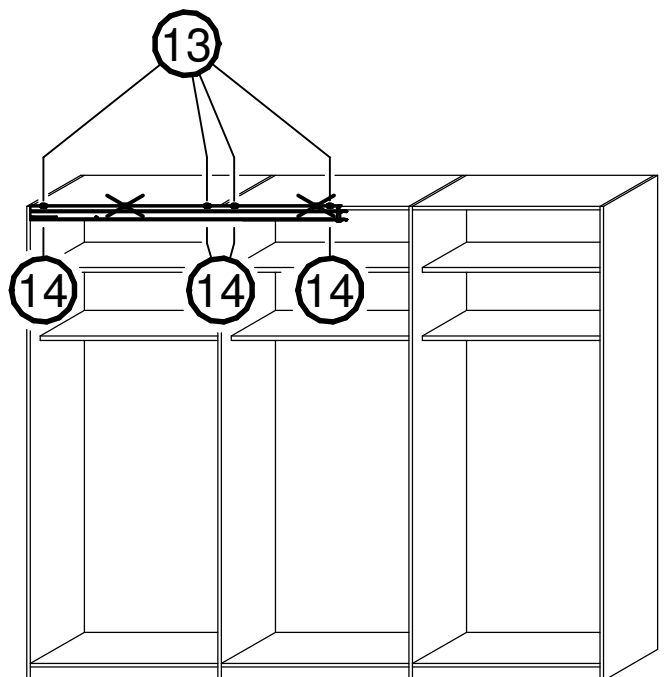
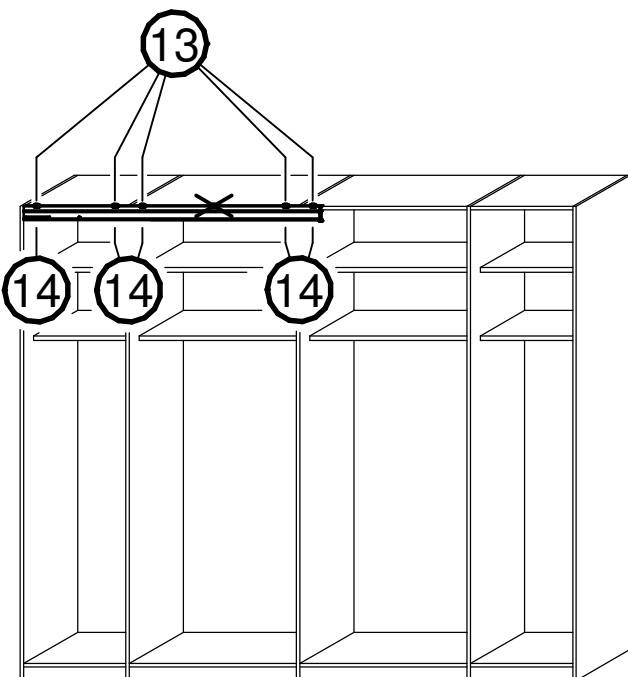
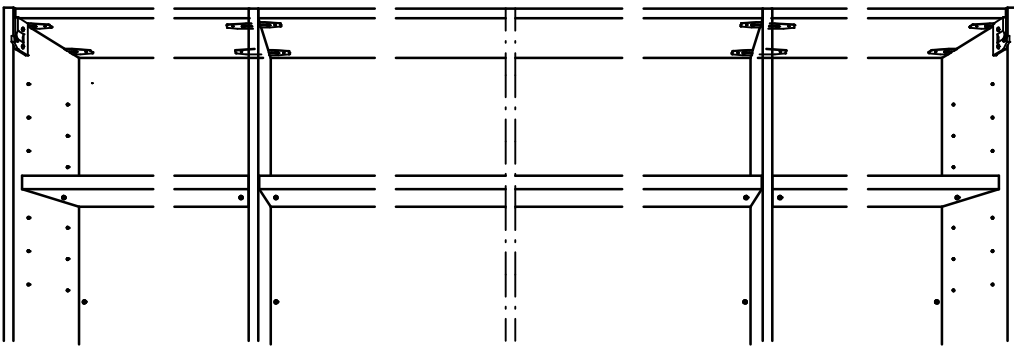
6.



14



3x



7.

660.4676.000



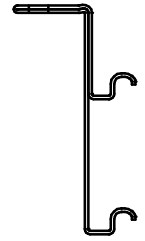
13

660.4677.000

M4x12

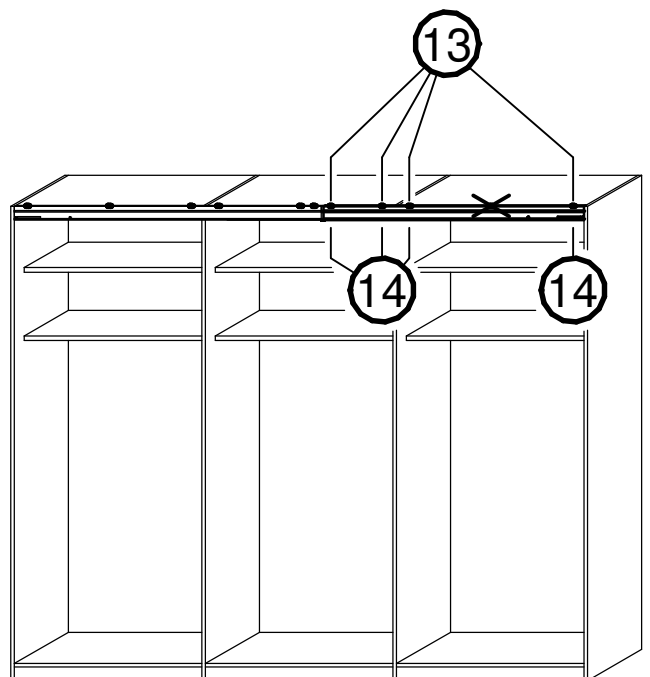
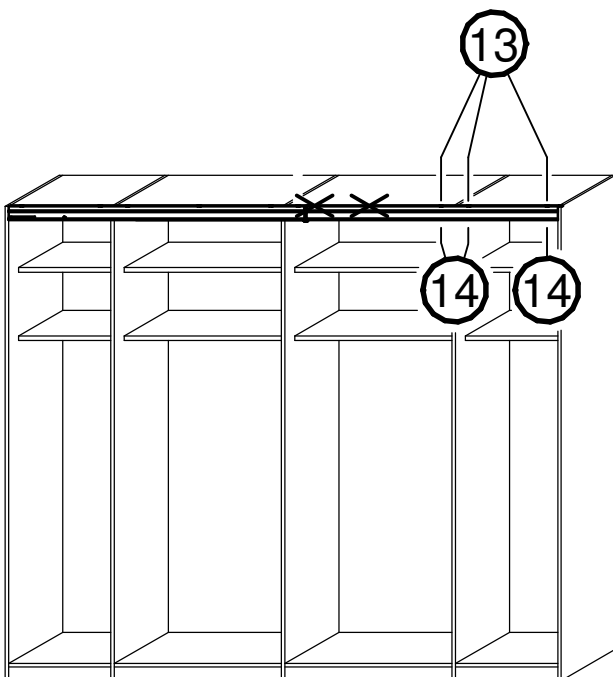
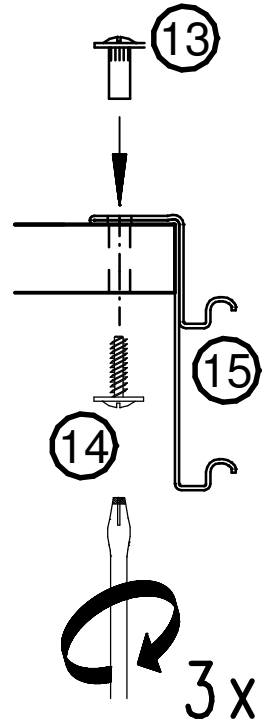
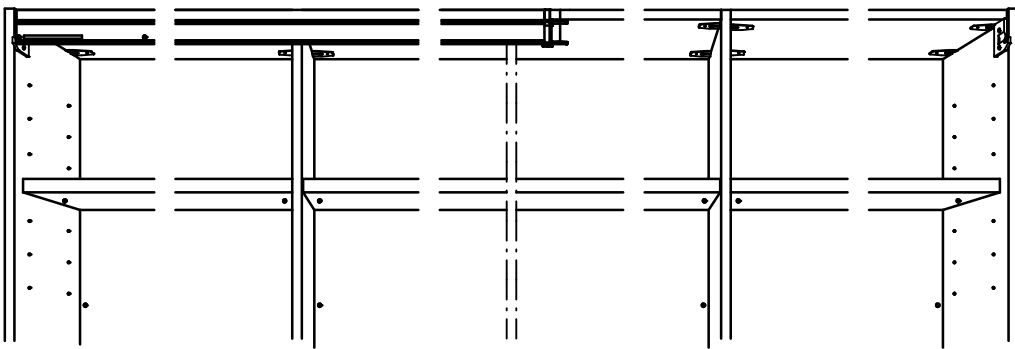
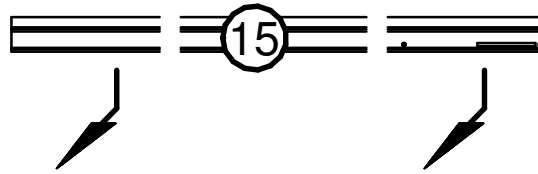
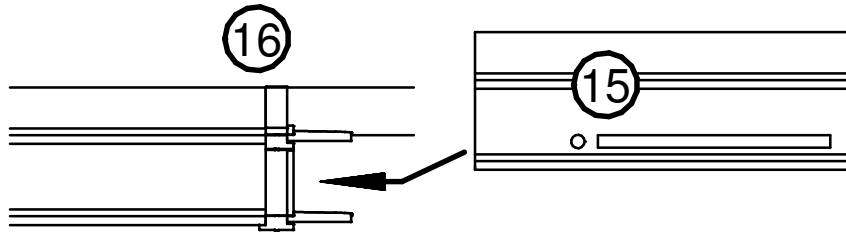


14

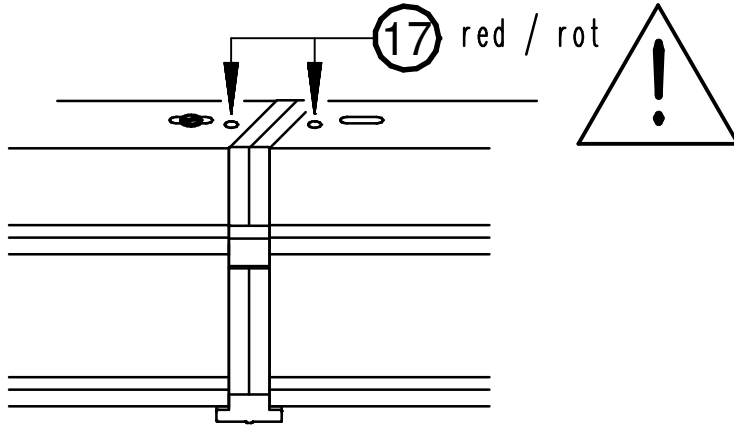


15

1 x



8.



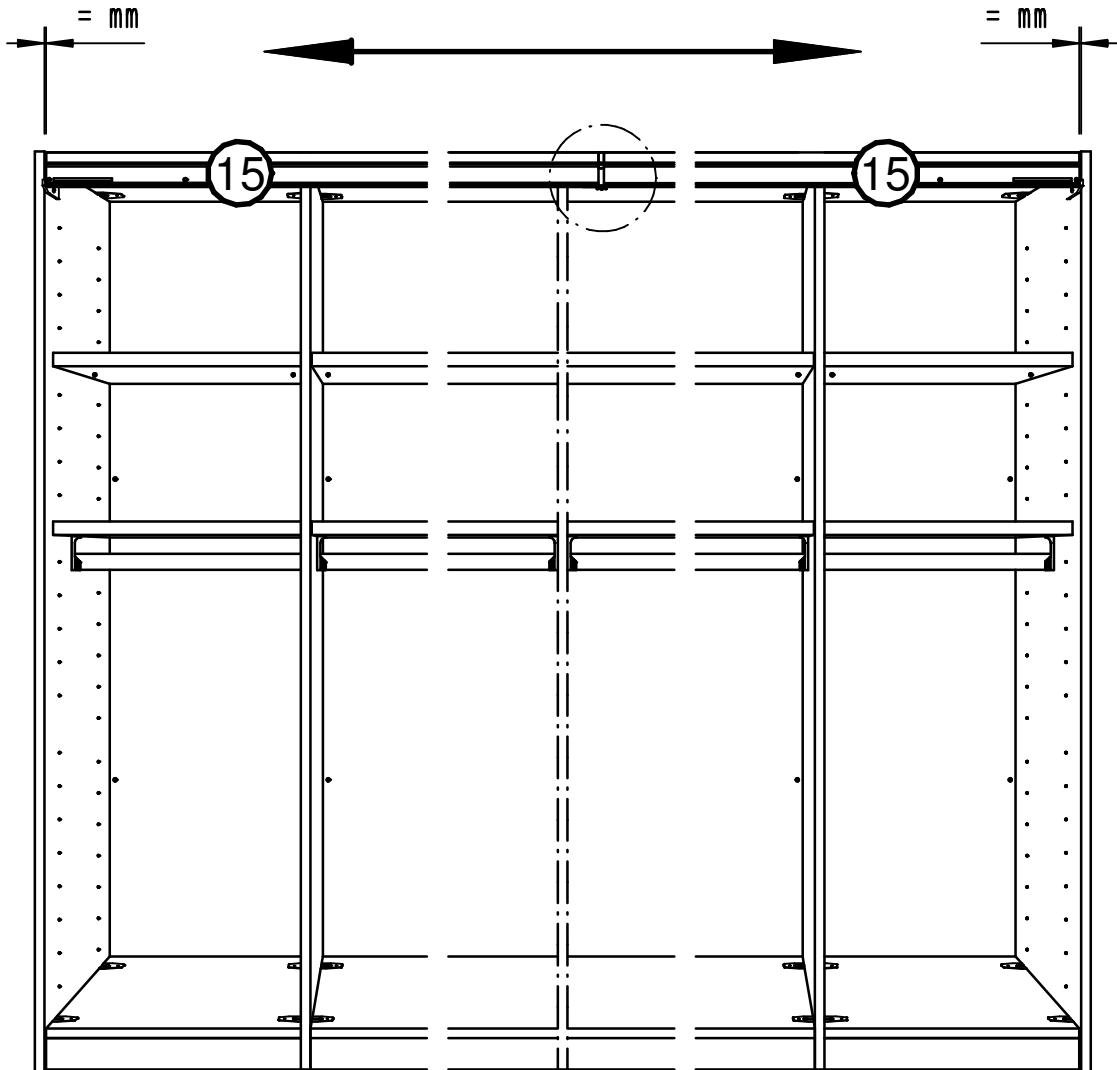
631.1101.000
4 x 15 mm

red / rot

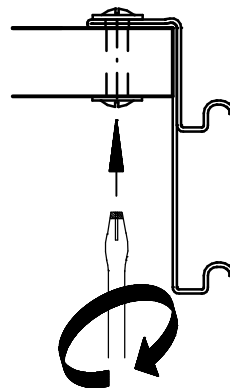
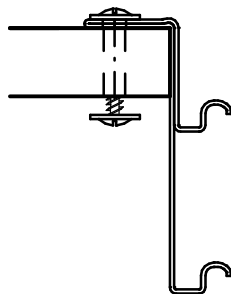


17

2 x



9.



10.

660.4676.000



13

660.4677.000

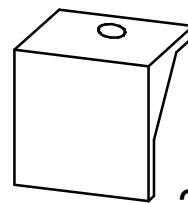
M4x12



14

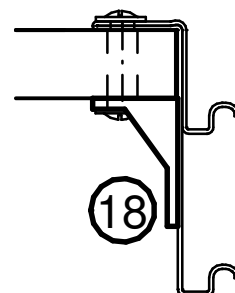
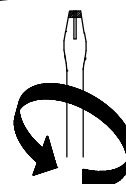
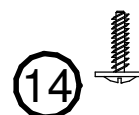
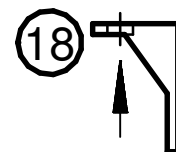
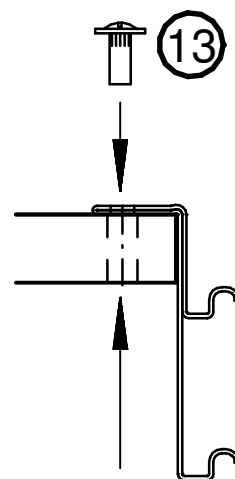
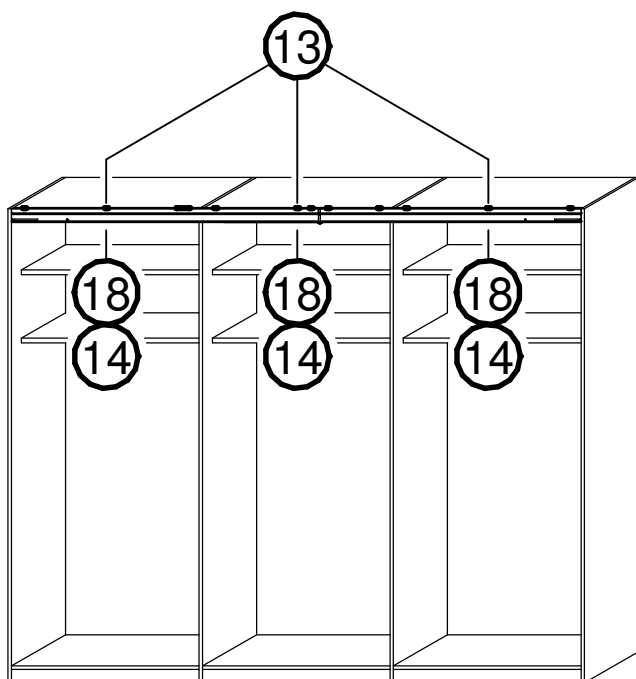
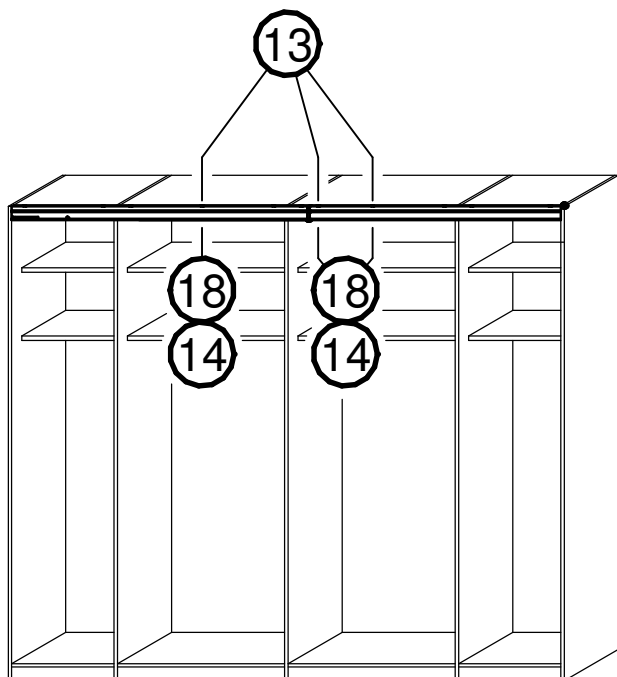
632.3173.000

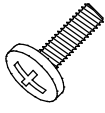

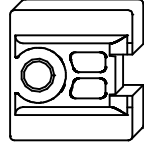
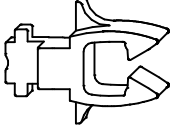
(5K26908)



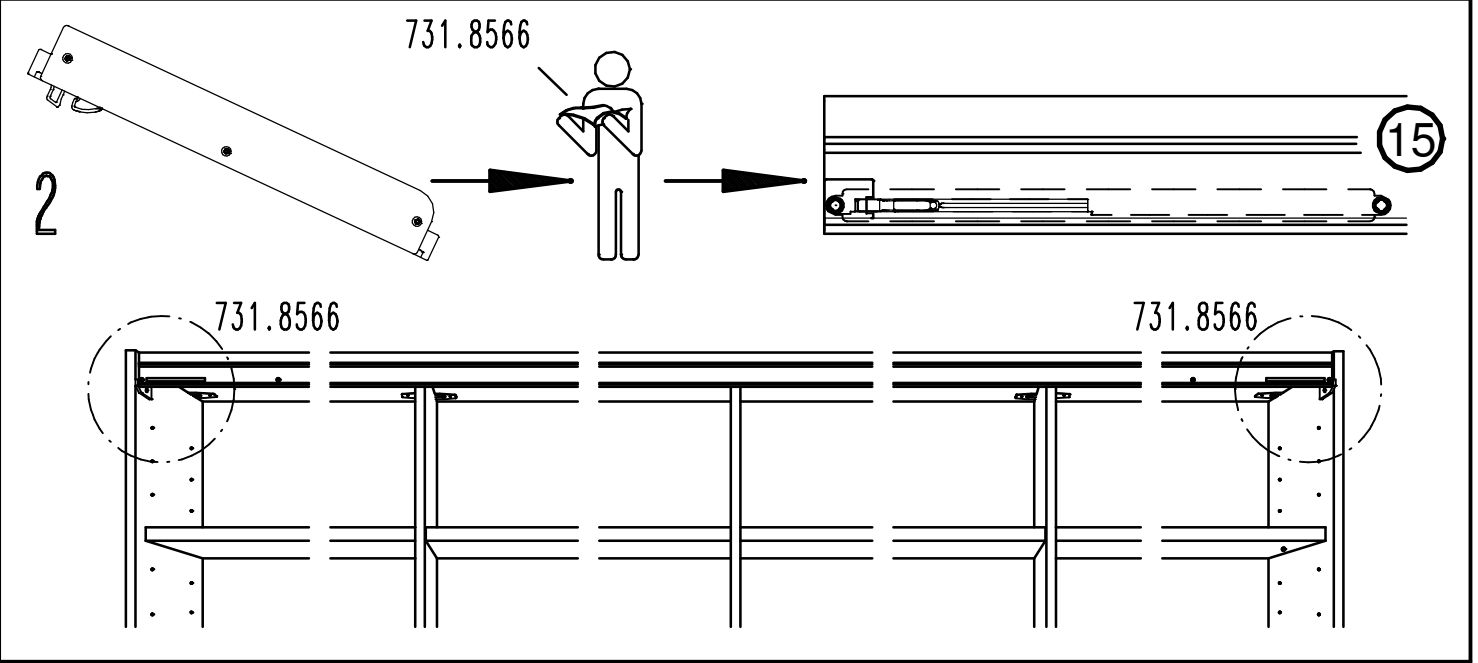
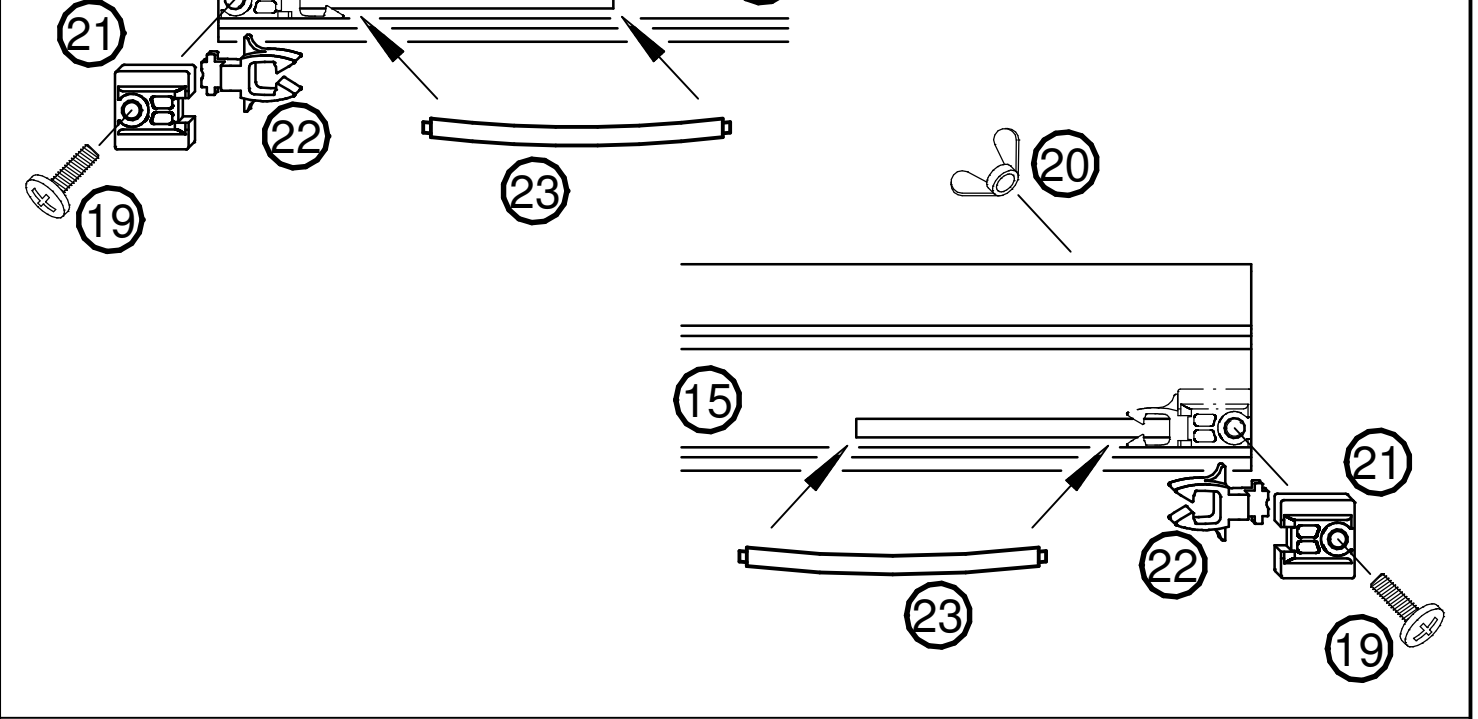
18

3 x



<p>M5 x 12 mm</p>  <p>(19) 2 x</p>	<p>632.0548.000 M 5</p>  <p>(20) 2 x</p>	<p>660.4666.000</p>  <p>(21) 2 x</p>	<p>660.4667.000</p>  <p>(22) 2 x</p>
---------------------------------------------------------------------------------------------------------------------	-------------------------------------------------------------------------------------------------------------------------------	------------------------------------------------------------------------------------------------------------------------	-------------------------------------------------------------------------------------------------------------------------

<p>11.</p>	<p>1</p> 	<p>660.4686.000</p>  <p>(23) 2 x</p>
------------	--------------------------------------------------------------------------------------------	-------------------------------------------------------------------------------------------------------------------------

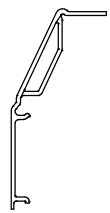


12.

660.4742.000

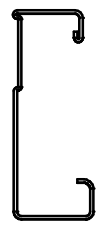
660.4669.000

24



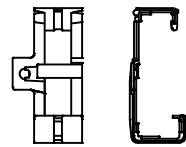
2 x

25

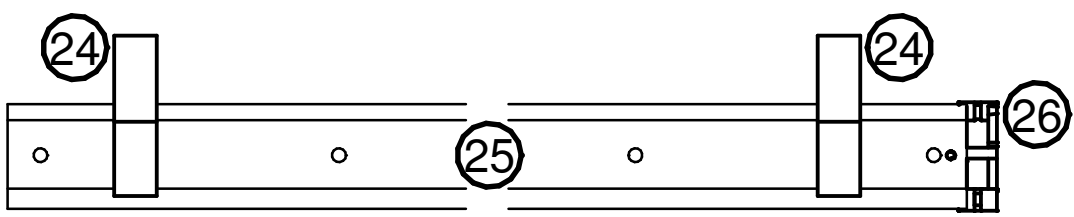
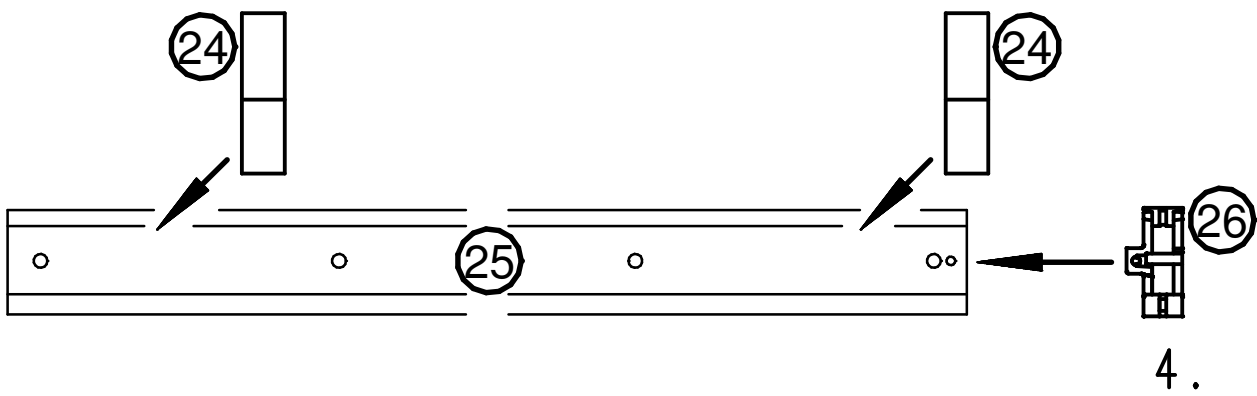
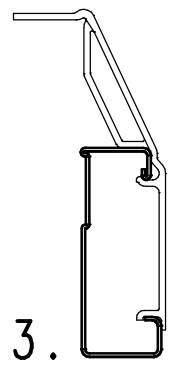
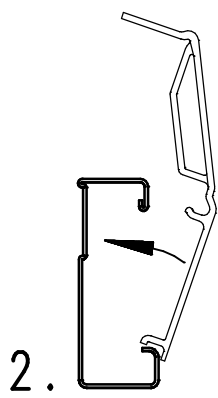
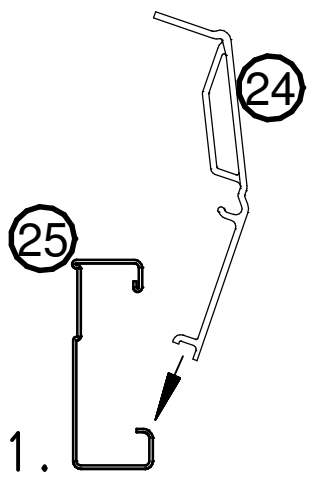


1 x

26

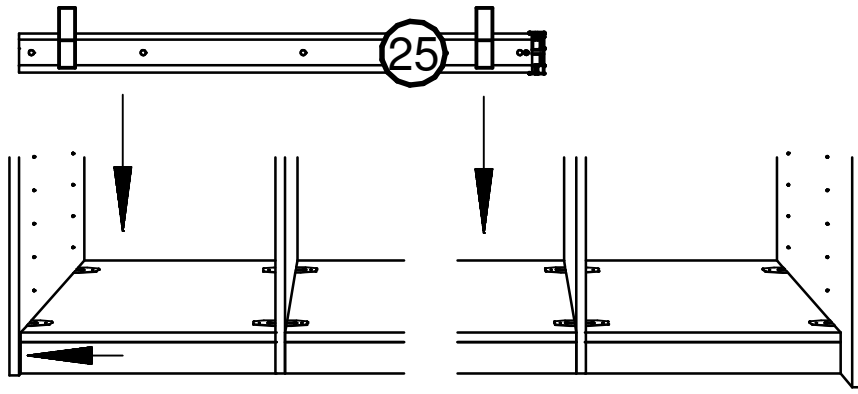


1 x

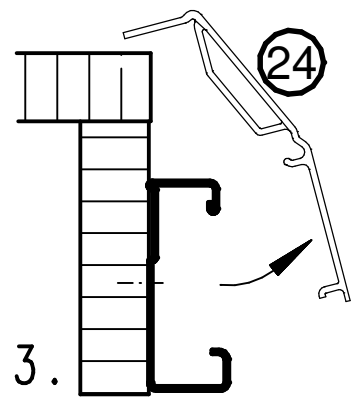
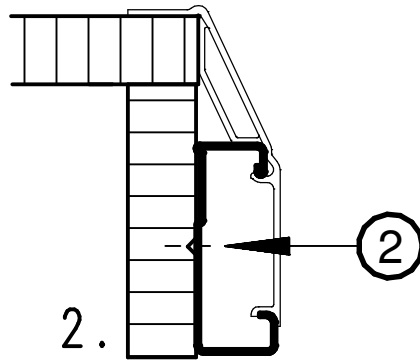
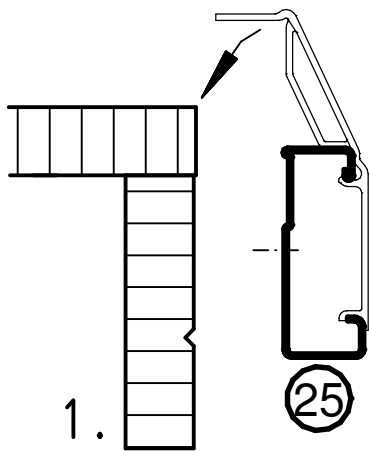


13.

632.0038.000
4 x 14 mm

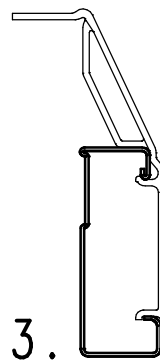
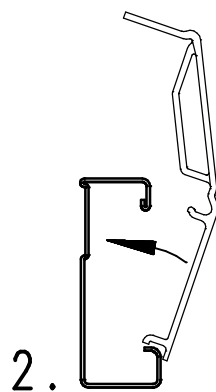
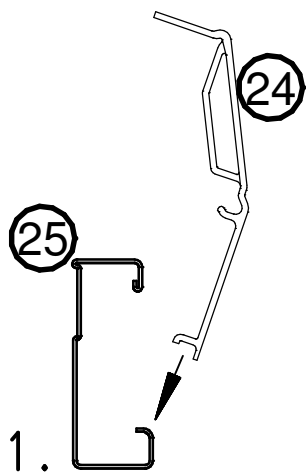


②



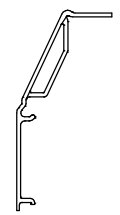
14.

660.4742.000



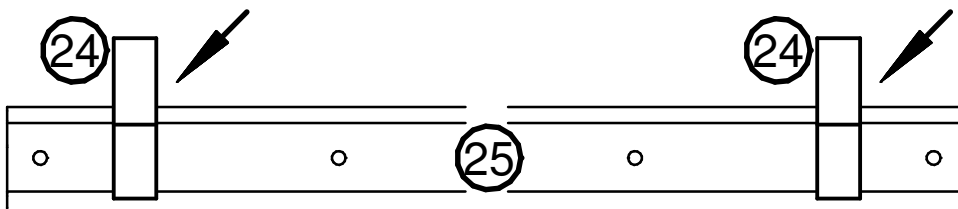
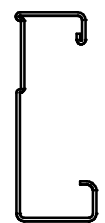
②

2 x



②

1 x

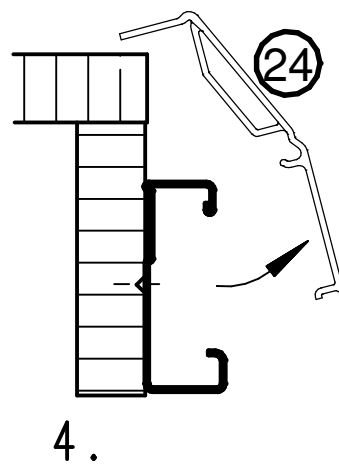
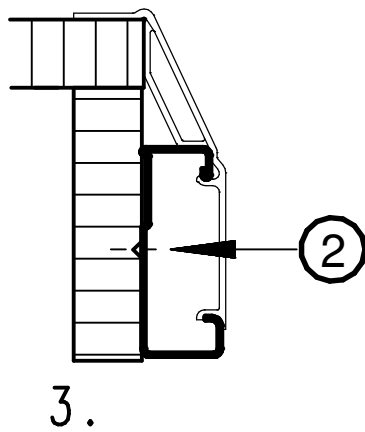
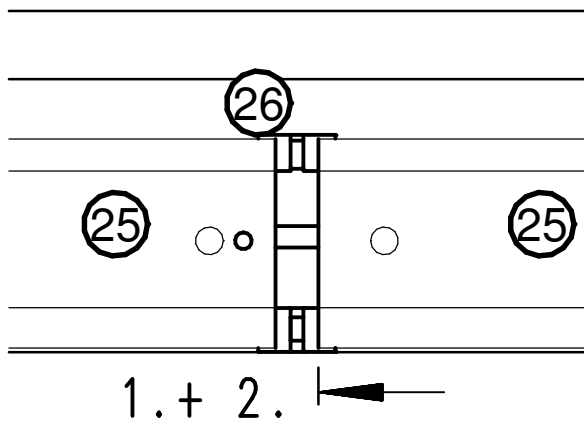
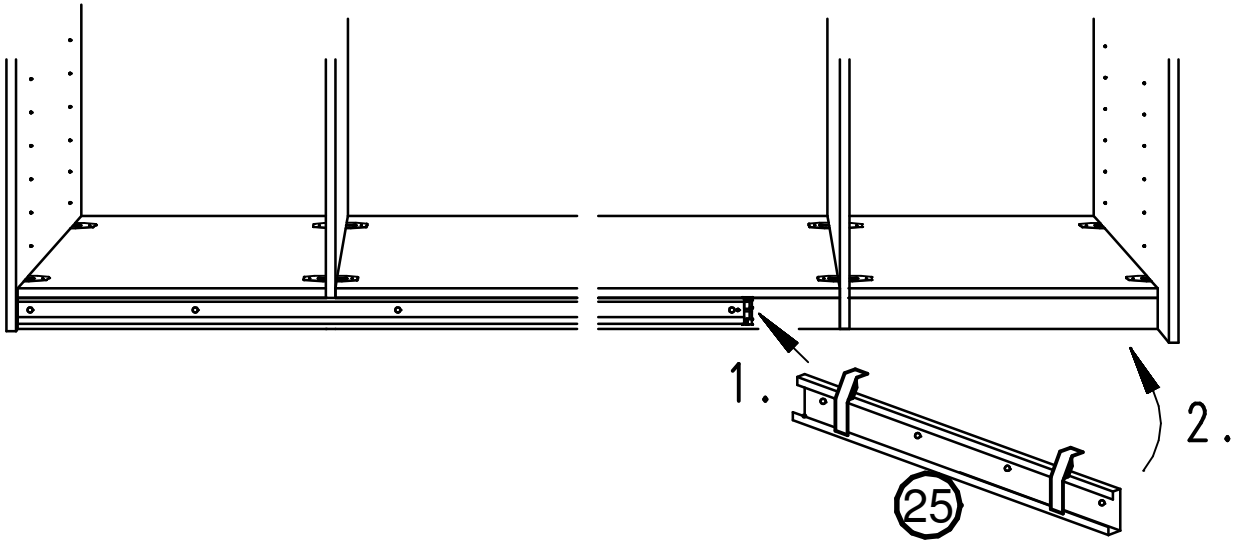


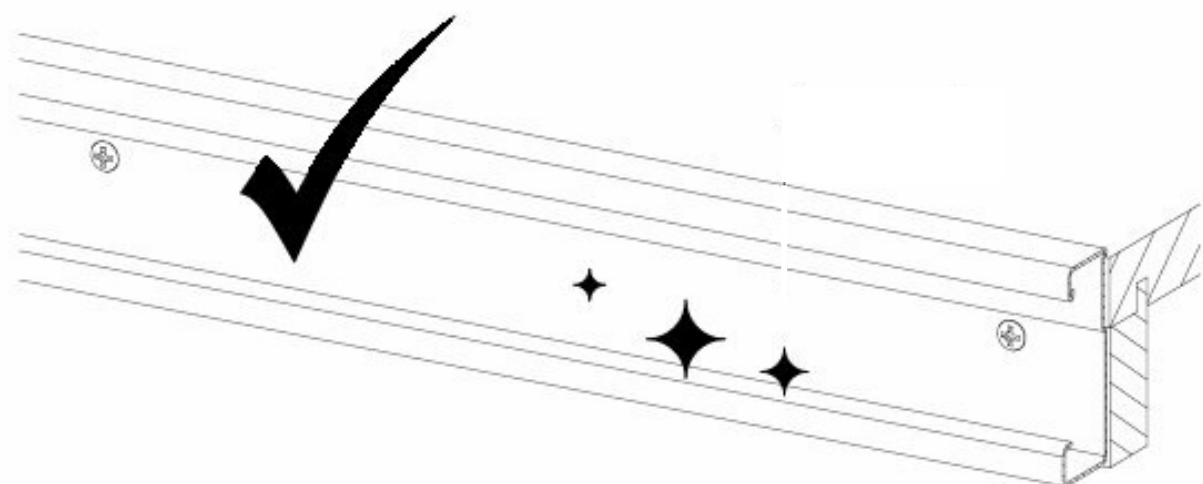
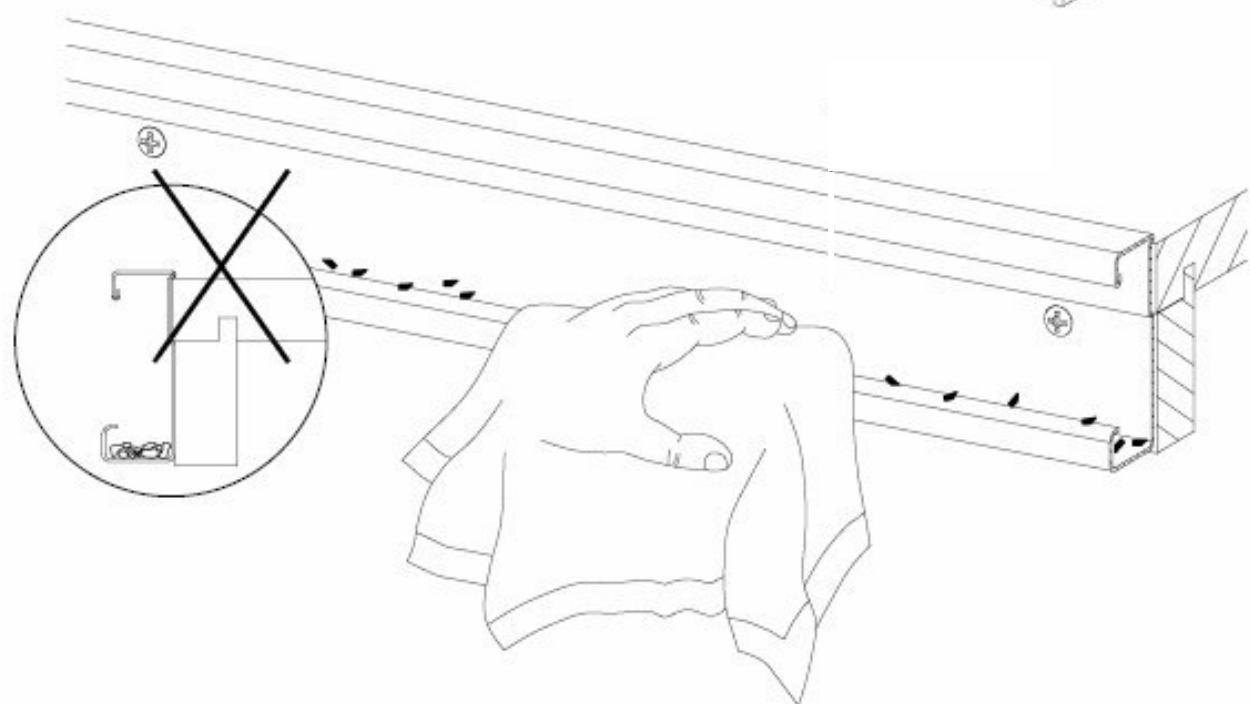
15.

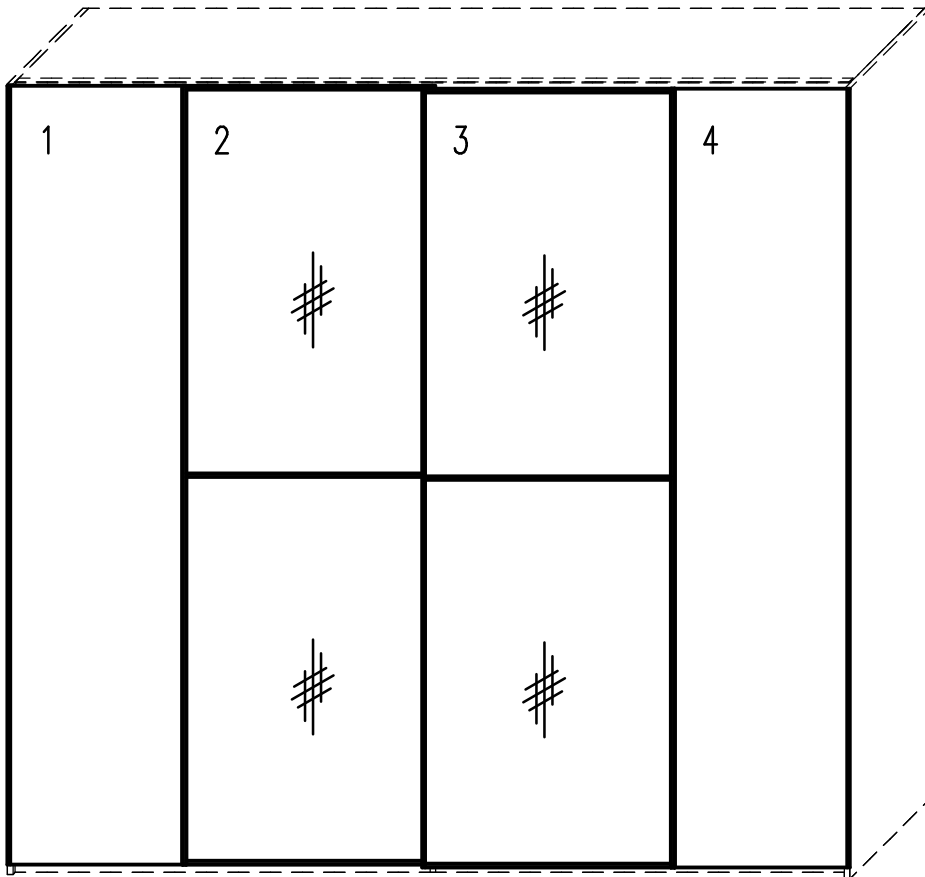
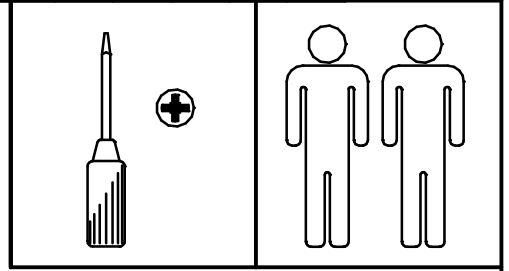
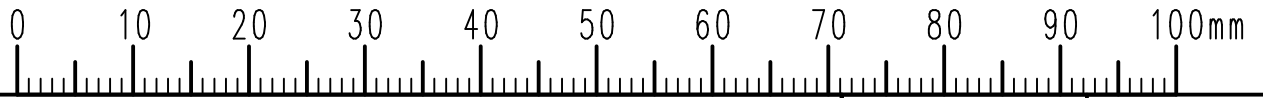
632.0038.000
4 x 14 mm



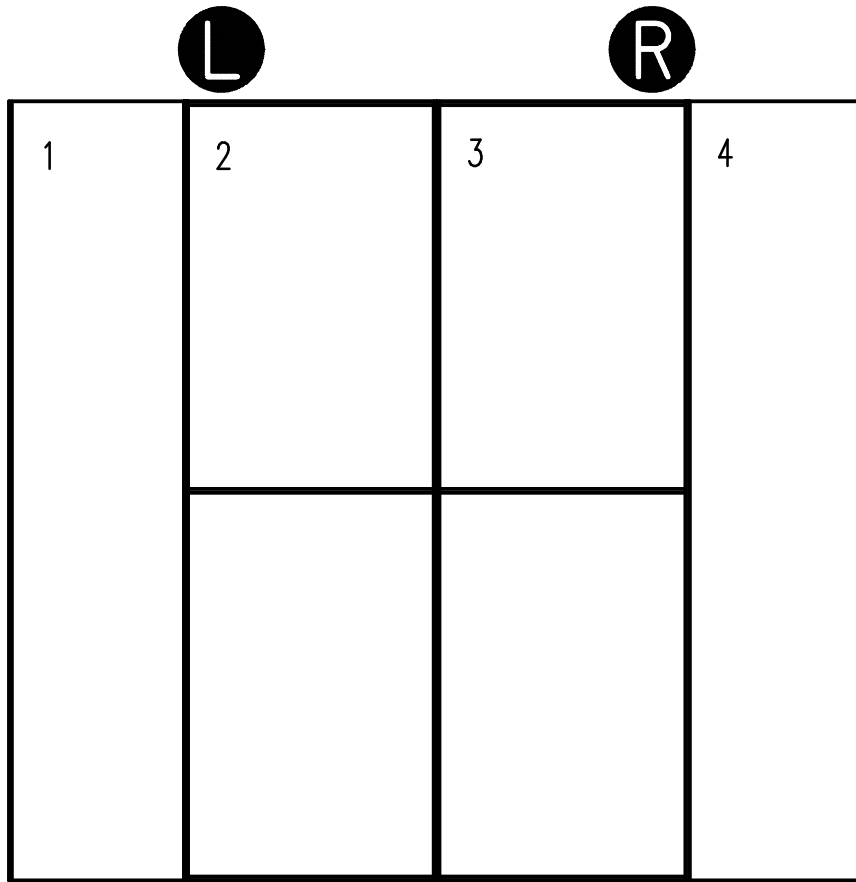
②



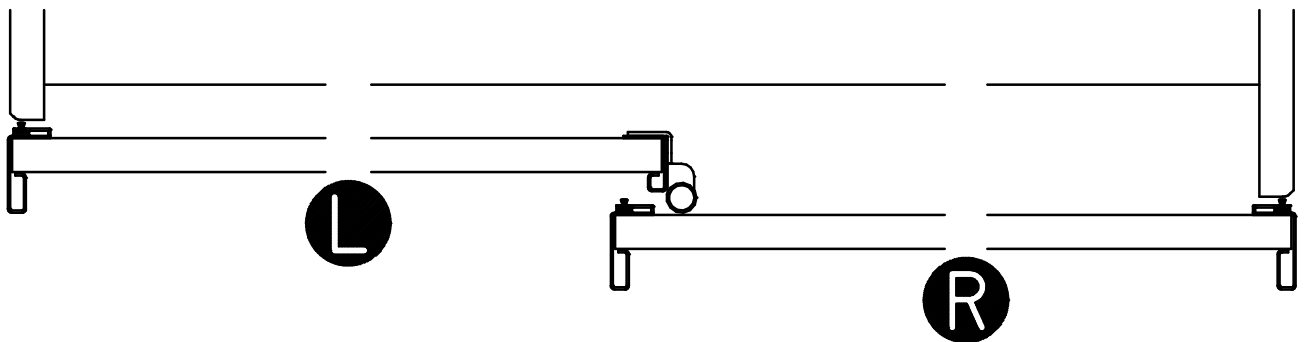




1.

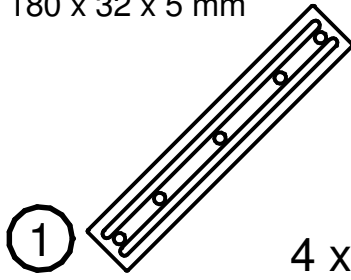


160 - 340



2.

644.0267.000
180 x 32 x 5 mm



4 x

632.0038.000
4 x 14 mm

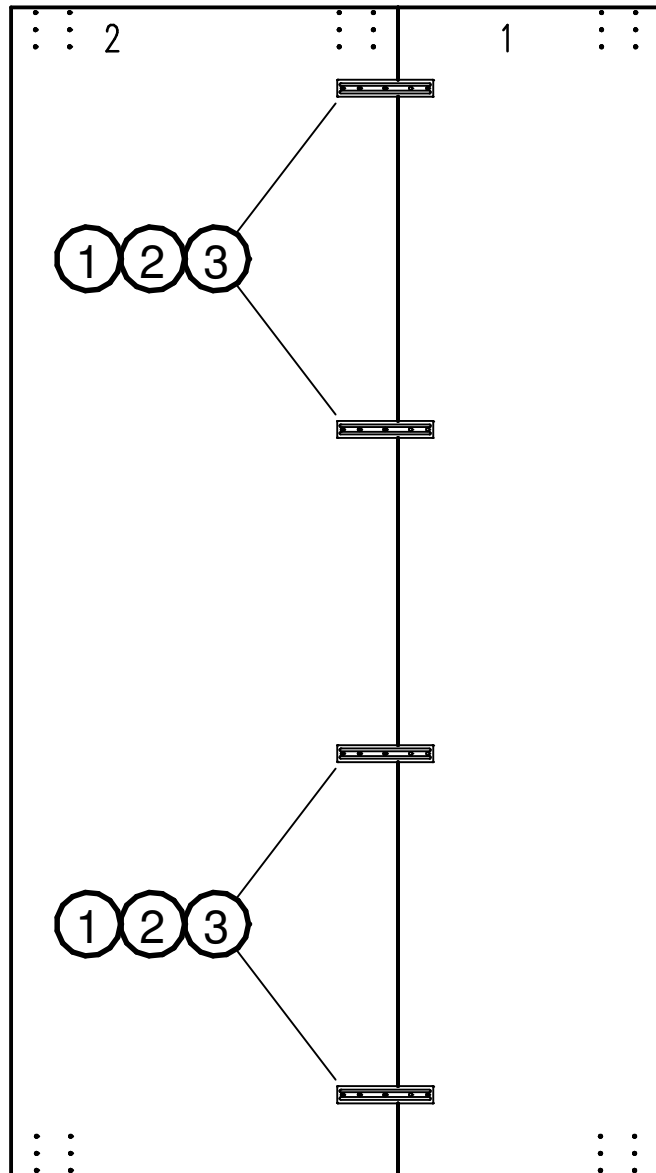
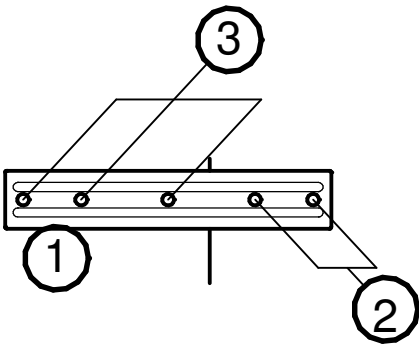


8 x

632.0574.000
6,3 x 14 mm



12 x



1	2	3	4

3.

632.0038.000
4 x 14 mm

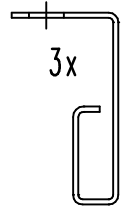


②



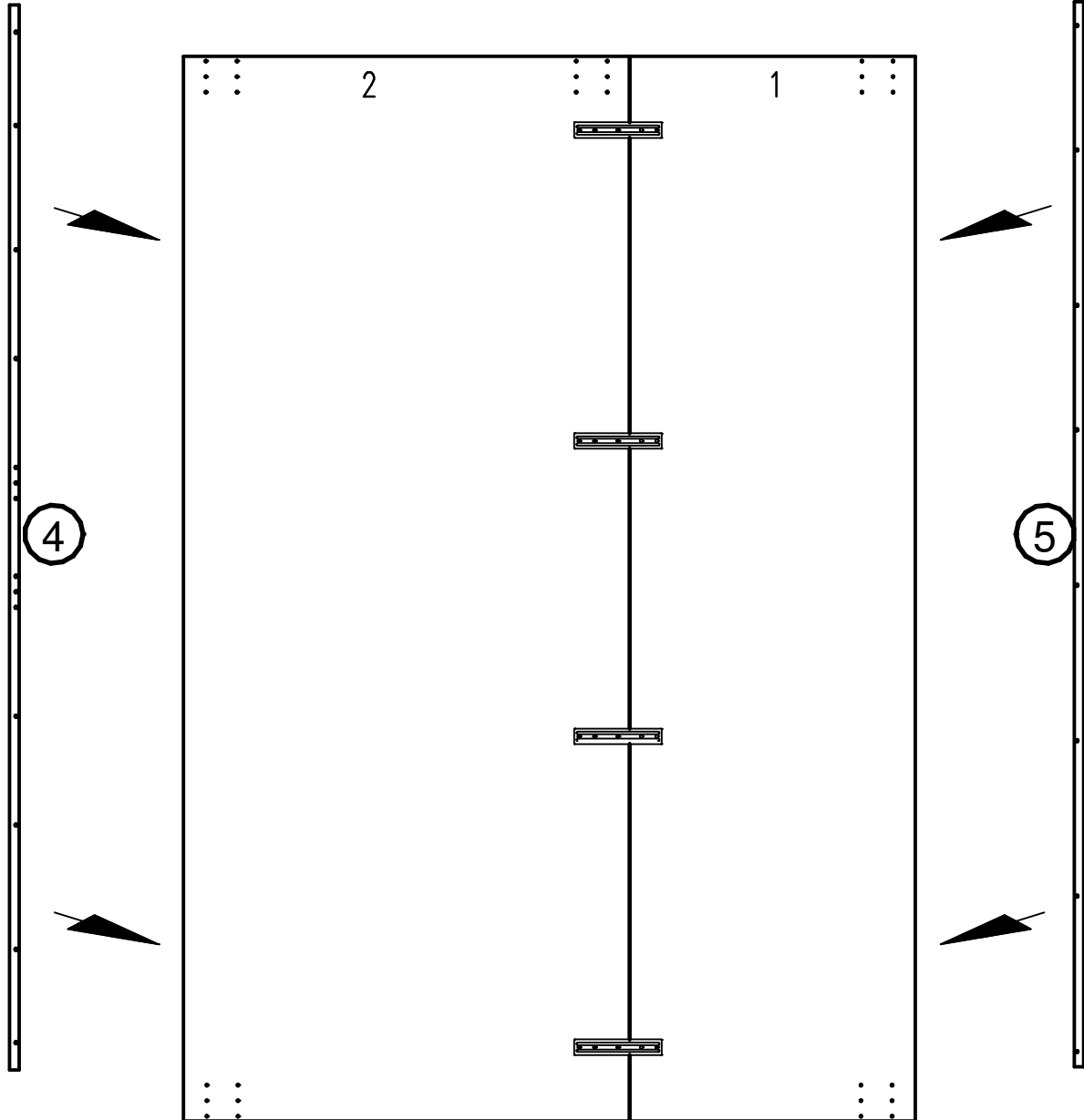
④

1 x

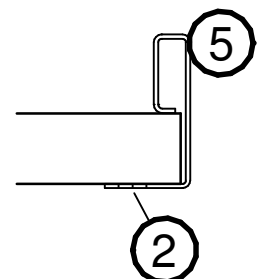
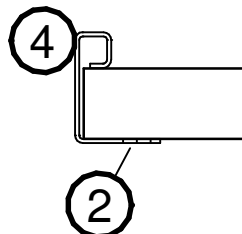
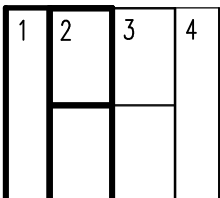


⑤

1 x



L



4.

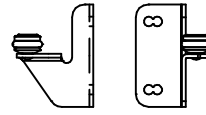
632.0038.000
4 x 14 mm



②

2 x

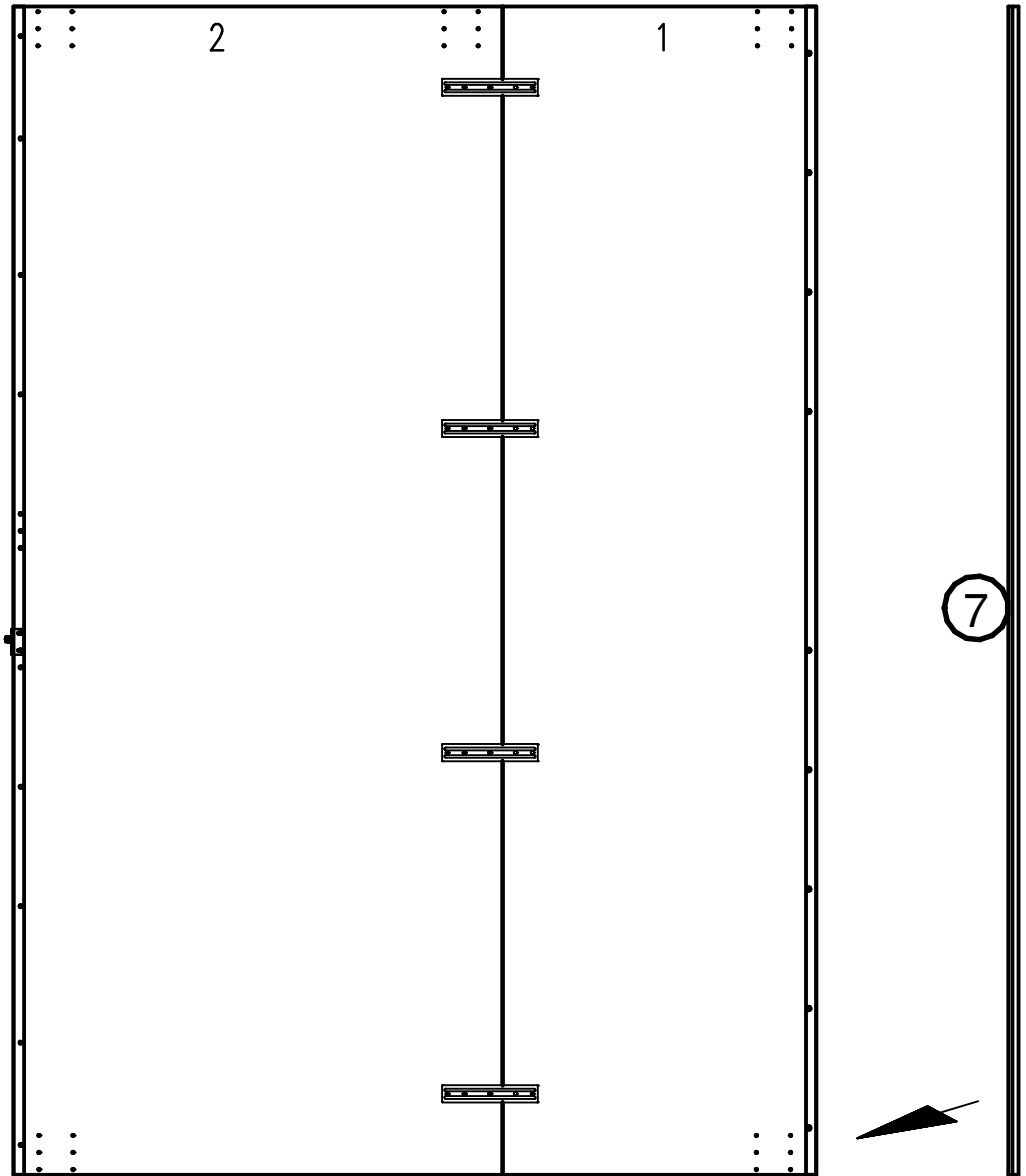
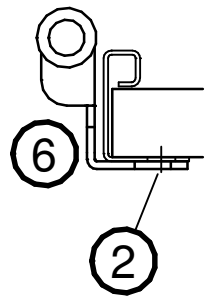
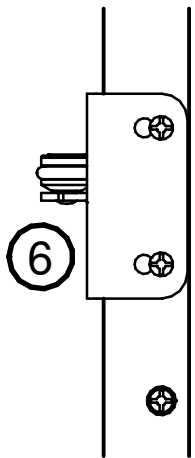
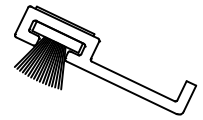
⑥



1 x

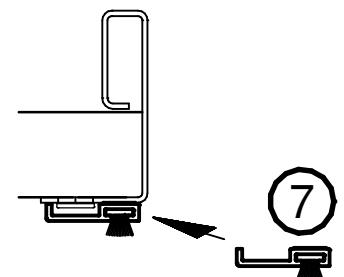
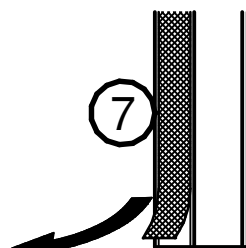
⑦


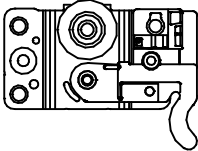
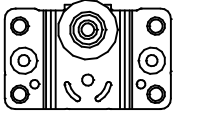
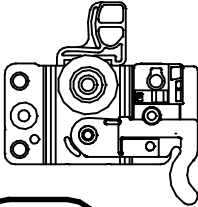
1 x

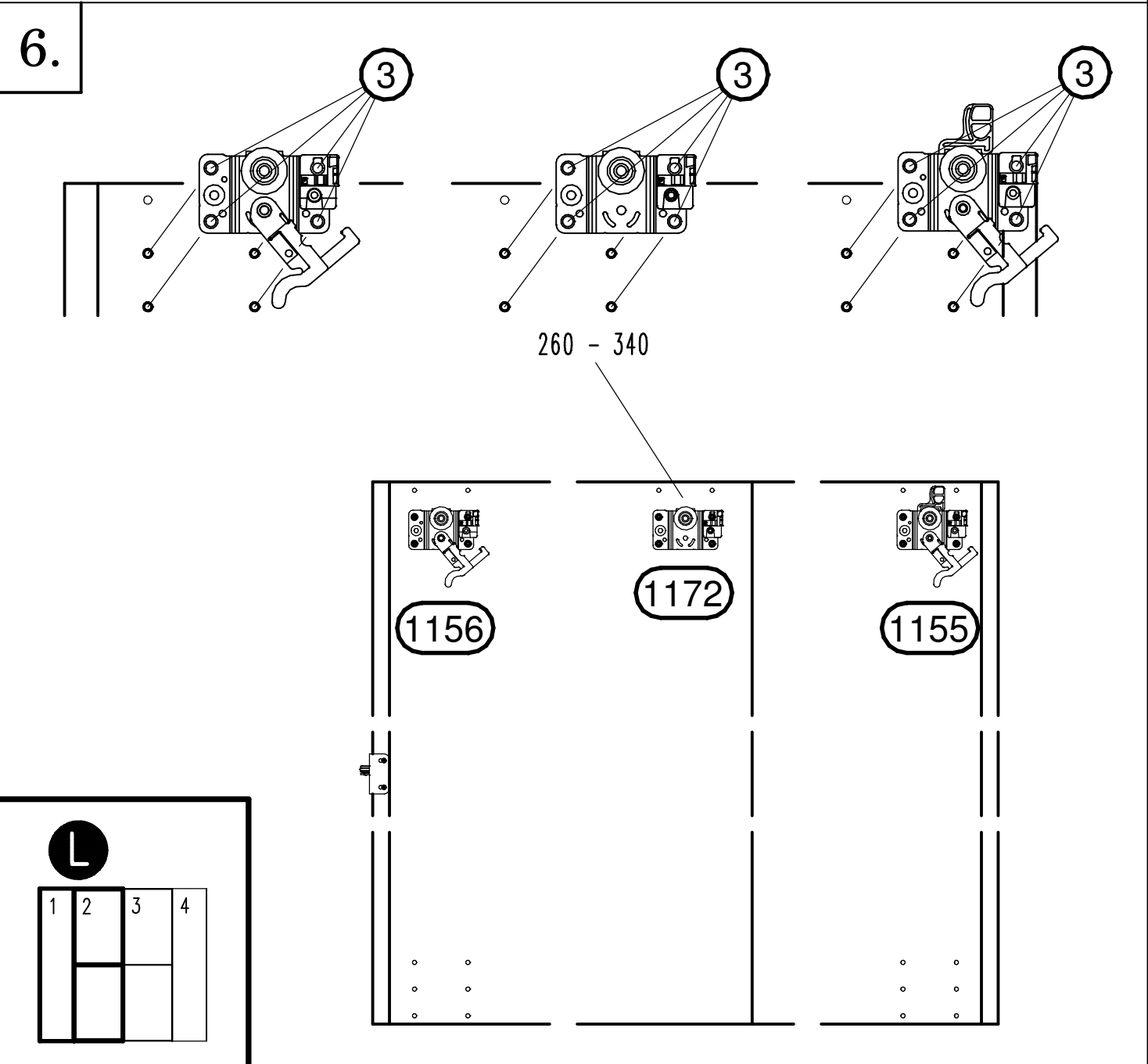
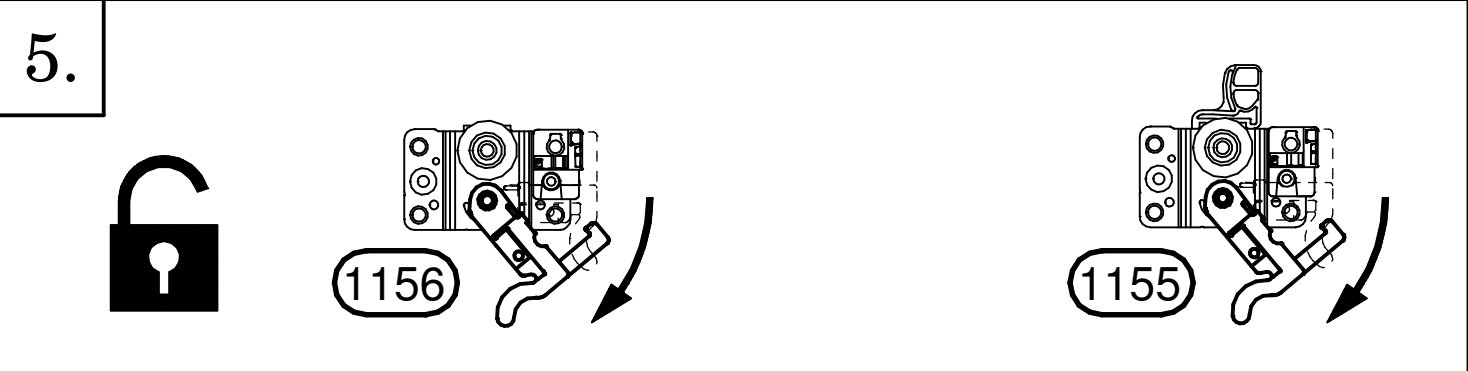


L

1	2	3	4



<p>632.0574.000 6,3 x 14 mm</p>  <p>③ 8-12 x</p>	<p>660.4656.000</p>  <p>① 1156</p> <p>1 x</p>	<p>660.4660.000</p>  <p>① 1172</p> <p>(1 x)</p>	<p>660.4654.000</p>  <p>① 1155</p> <p>1 x</p>
---------------------------------------------------------------------------------------------------------------------------------------	--------------------------------------------------------------------------------------------------------------------------------	-----------------------------------------------------------------------------------------------------------------------------------	----------------------------------------------------------------------------------------------------------------------------------



L			
1	2	3	4

7.

632.0038.000
4 x 14 mm



2

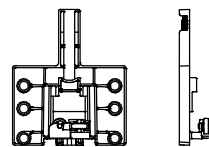
632.0574.000
6,3 x 14 mm



3

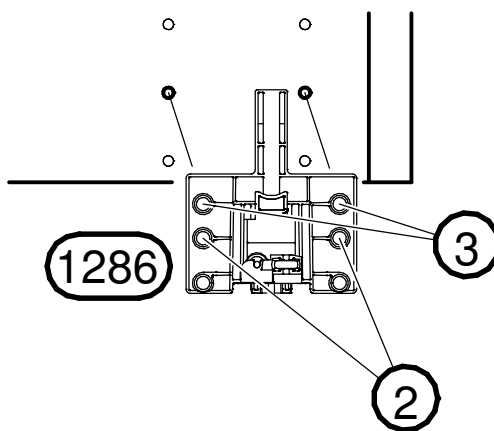
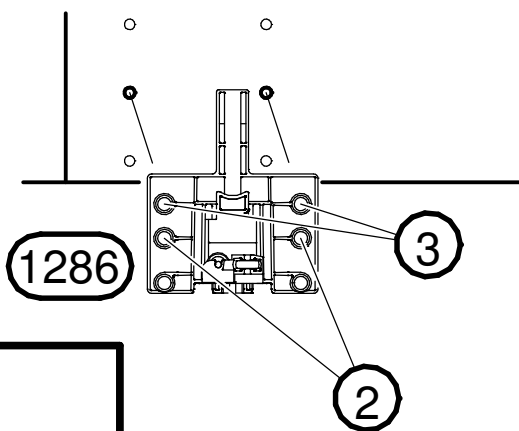
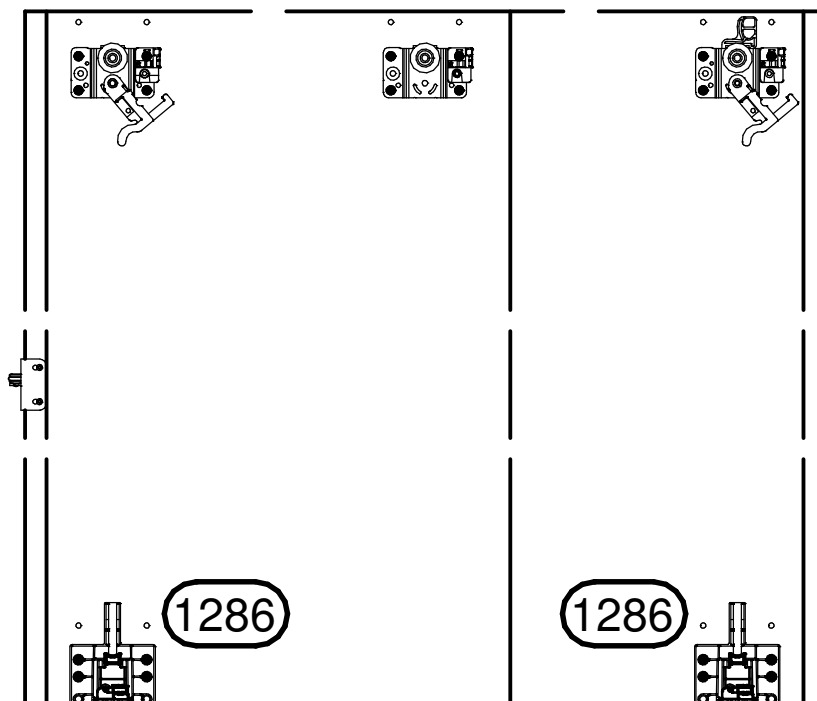
4 x

660.4684.000



1286

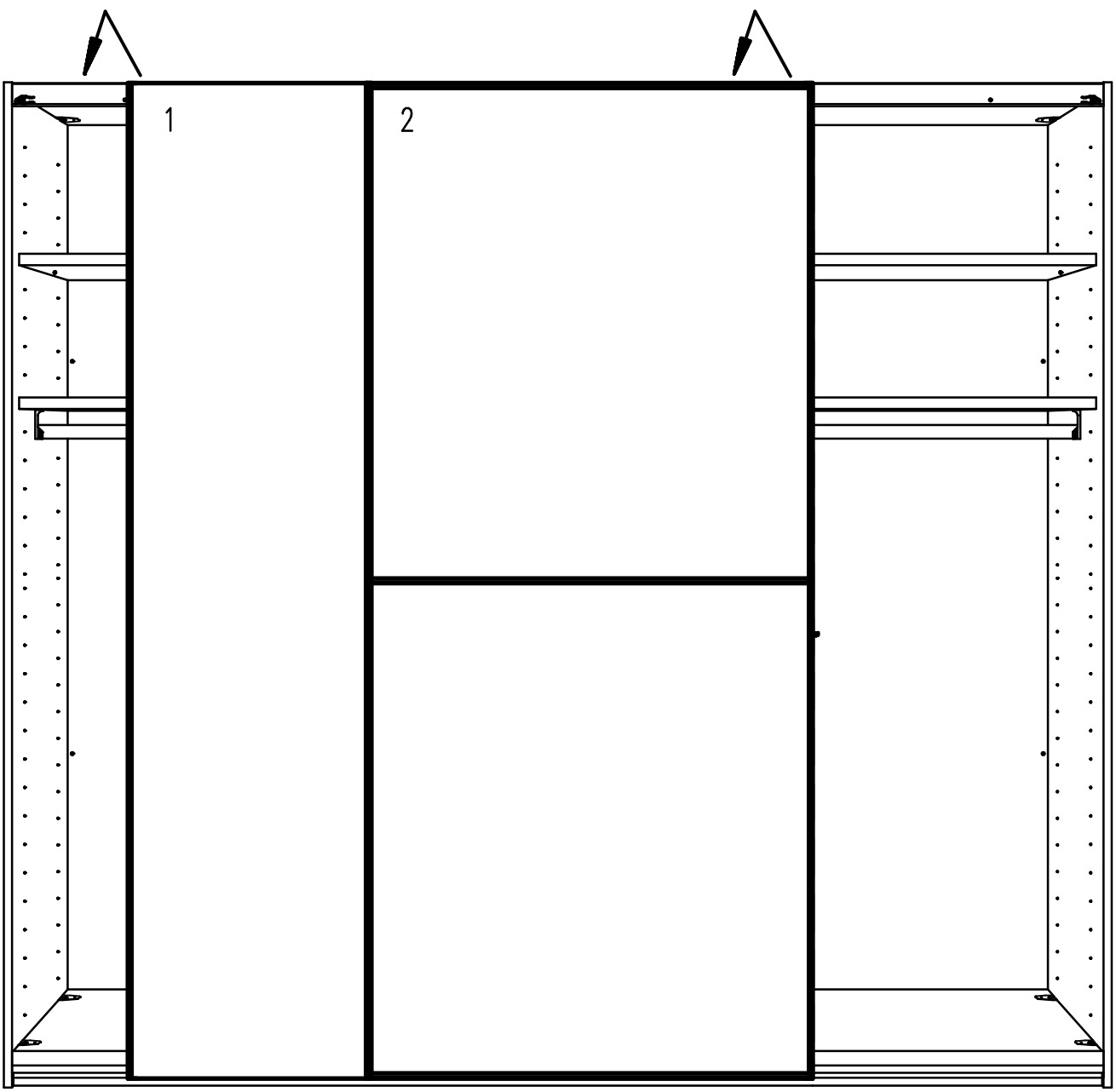
2 x



L

1	2	3	4

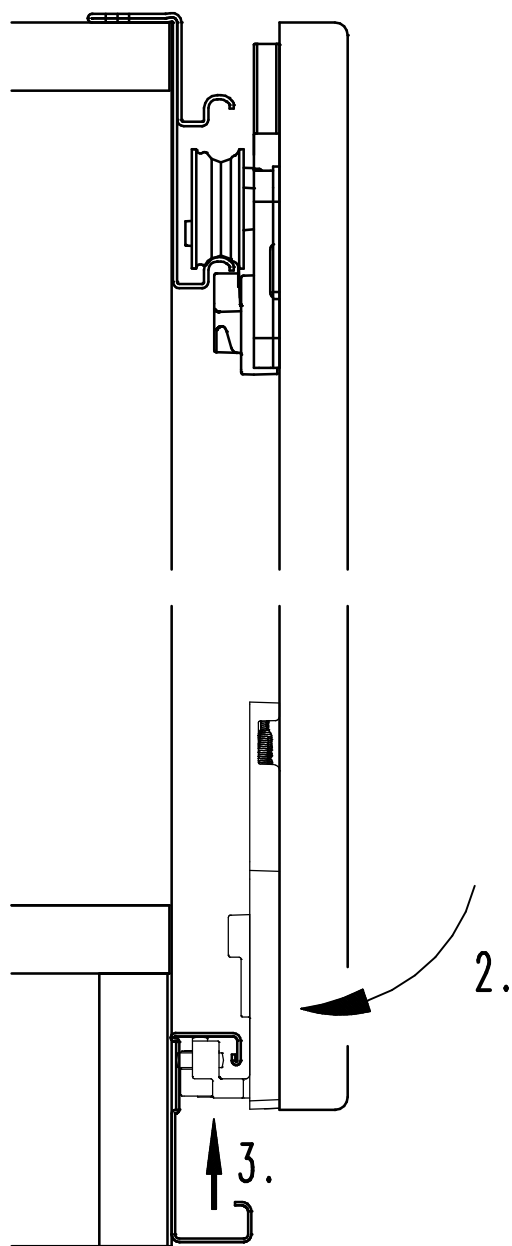
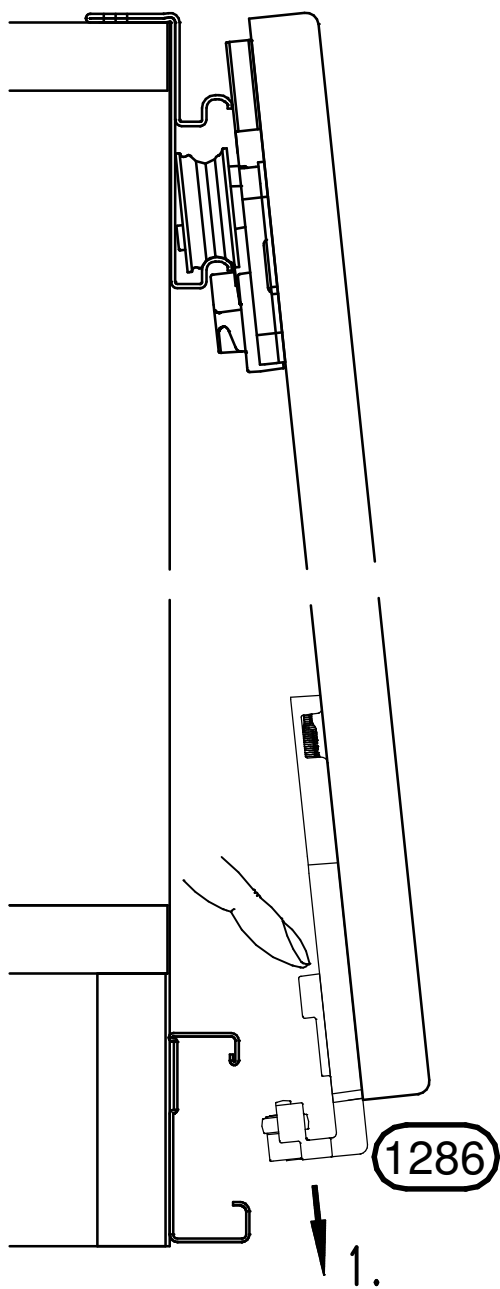
8.



L

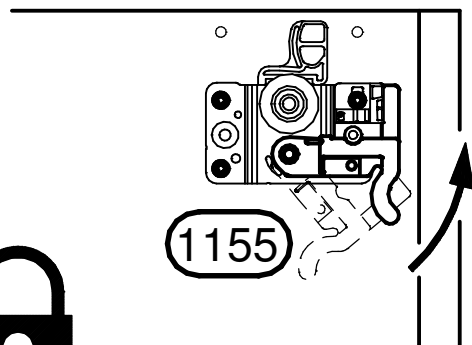
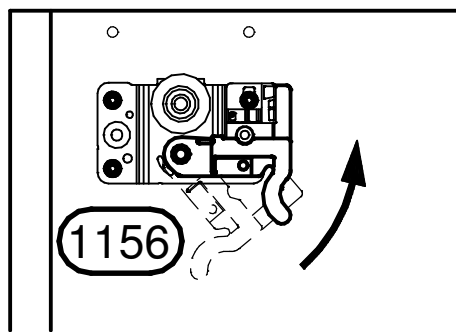
1	2	3	4

9.



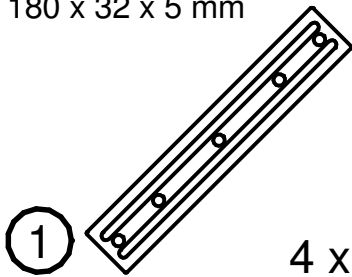
10.

L			
1	2	3	4



11.

644.0267.000
180 x 32 x 5 mm



4 x

632.0038.000
4 x 14 mm

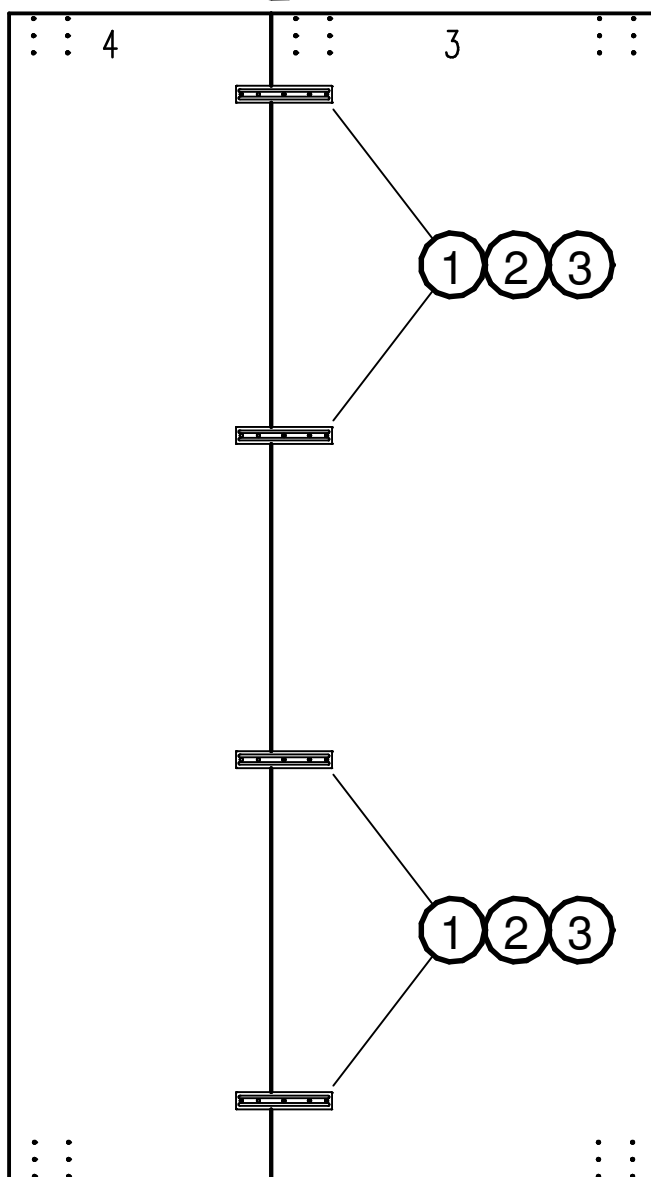
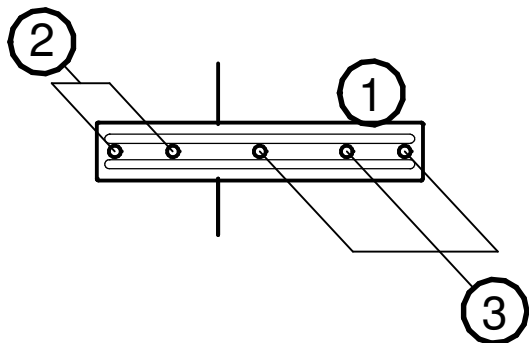


8 x

632.0574.000
6,3 x 14 mm



12 x



R

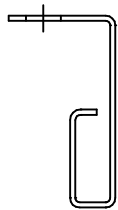
1	2	3	4

12.

632.0038.000
4 x 14 mm

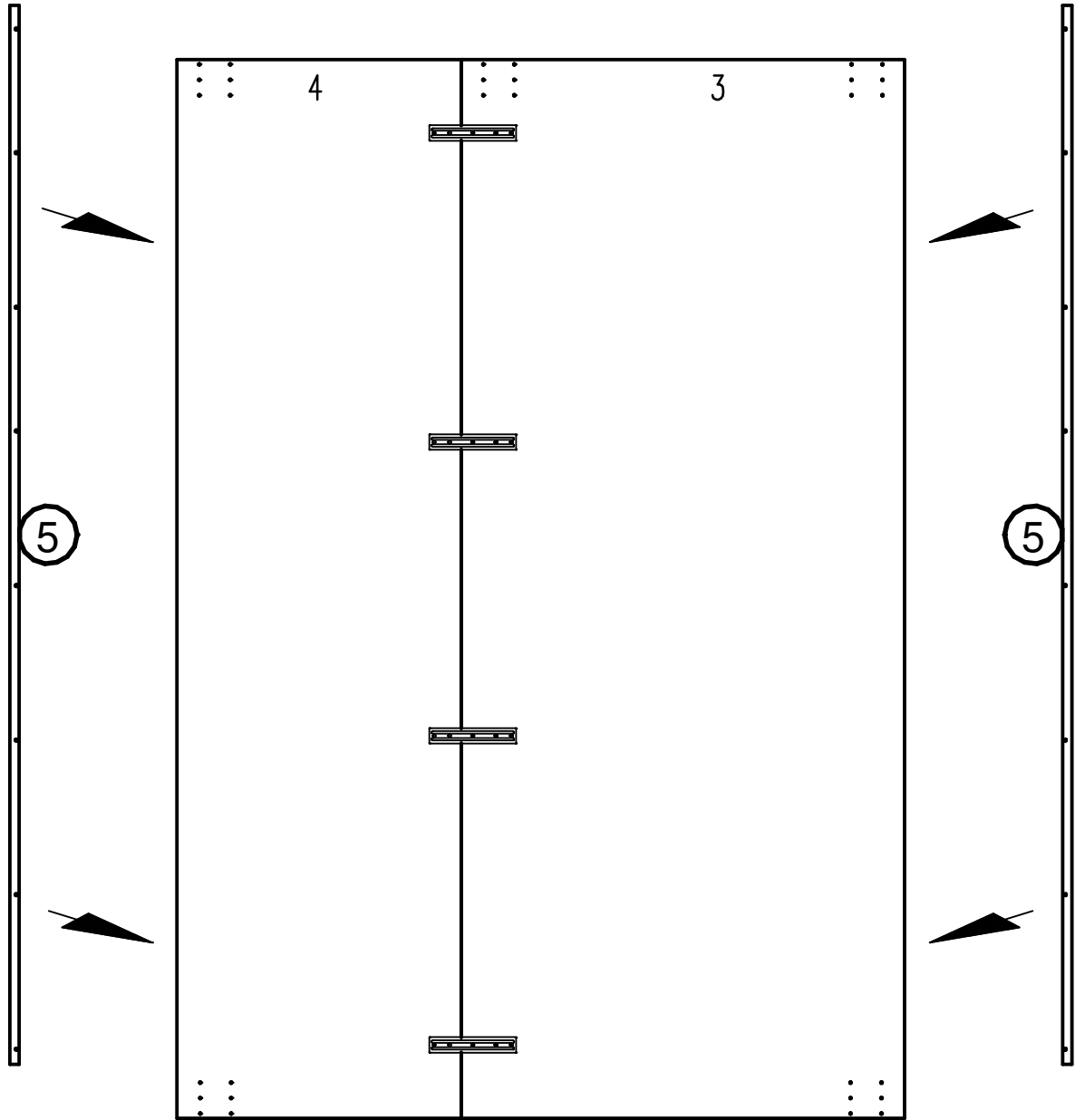


2



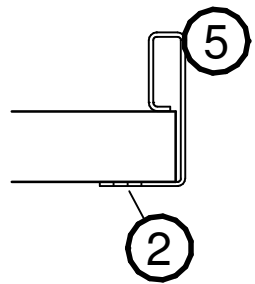
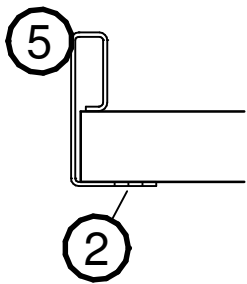
5

2 x

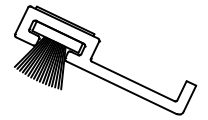


R

1	2	3	4

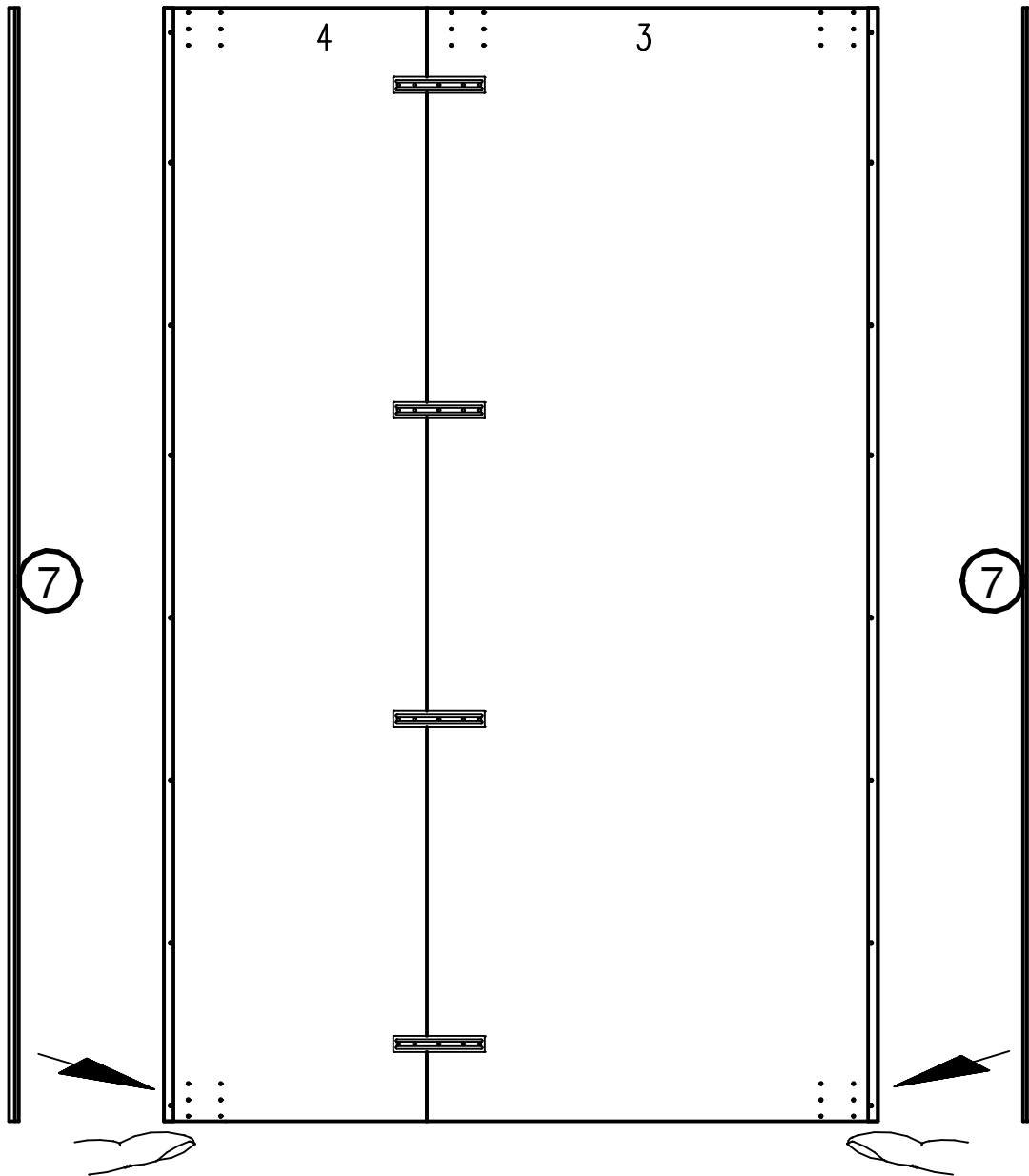


13.

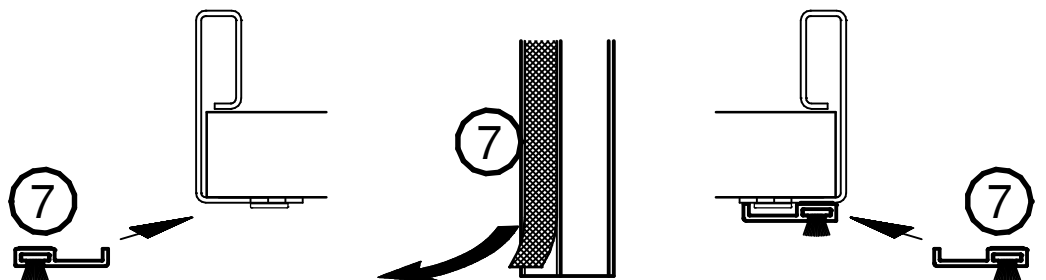
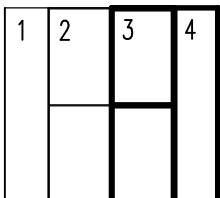


7

2 x



R



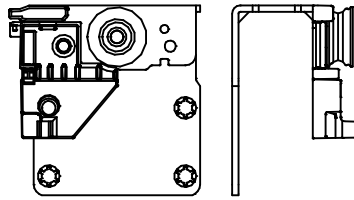
632.0574.000
6,3 x 14 mm



③

8-12 x

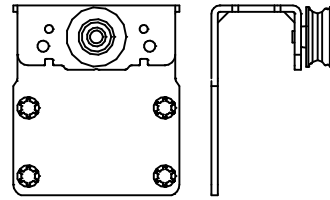
660.4651.000



⑪152

1 x

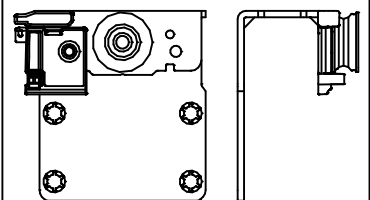
660.4652.000



⑪153

(1 x)

660.4650.000



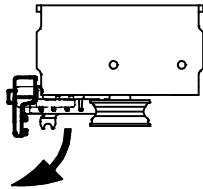
⑪151

1 x

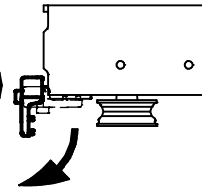
14.



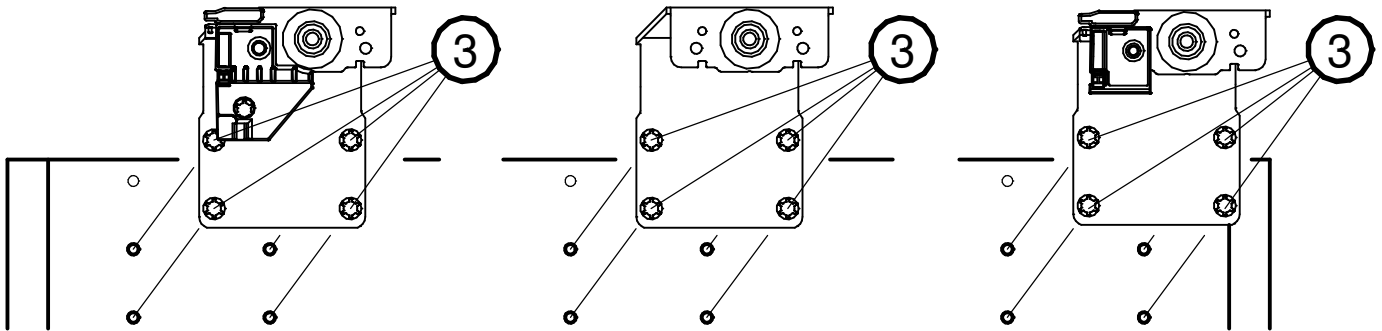
⑪152



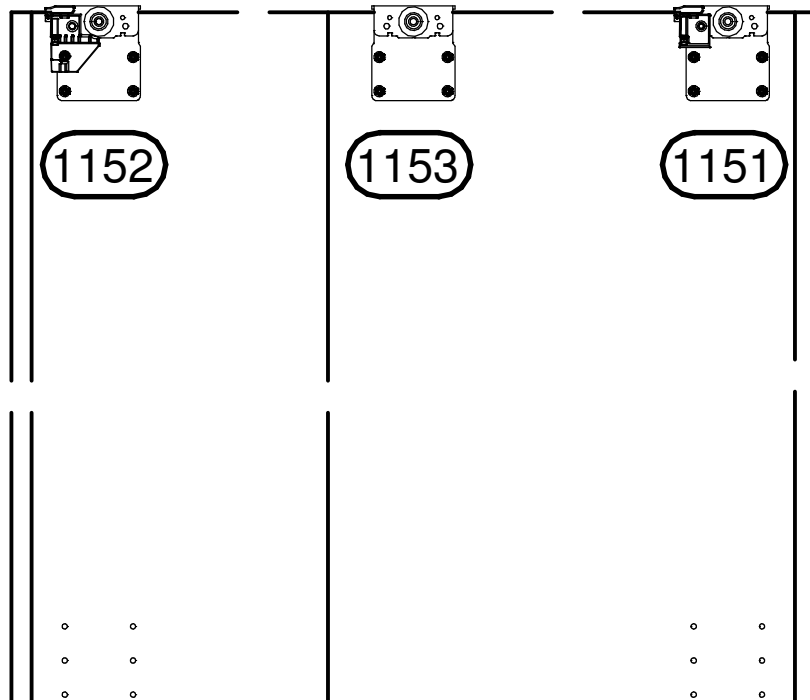
⑪151



15.



260 - 340




R

1	2	3	4

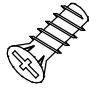
18.

632.0038.000
4 x 14 mm



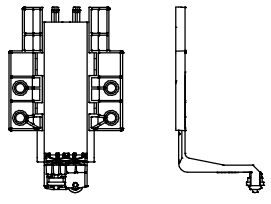
(2) 4 x

632.0574.000
6,3 x 14 mm

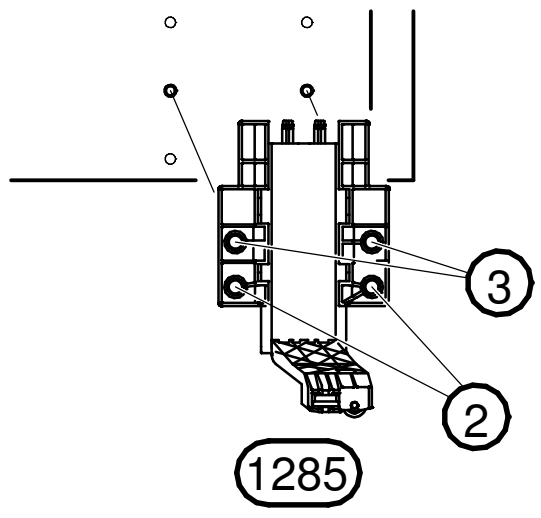
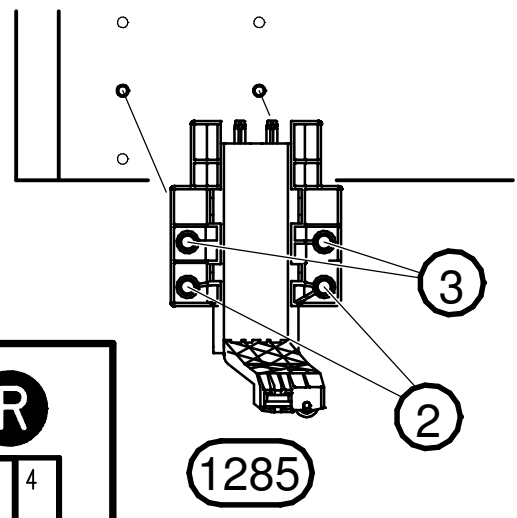
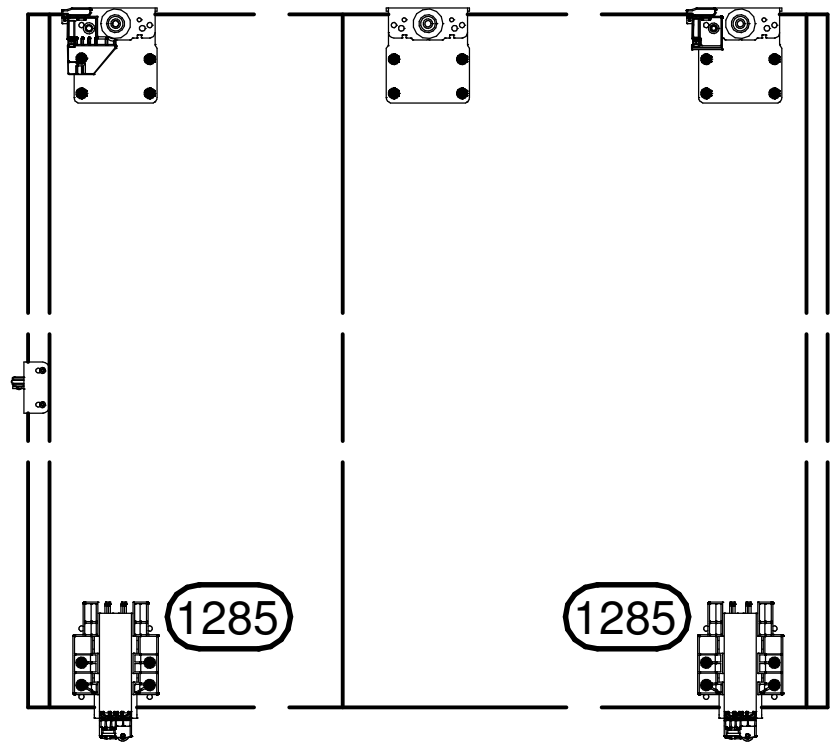


(3) 4 x

660.4685.000

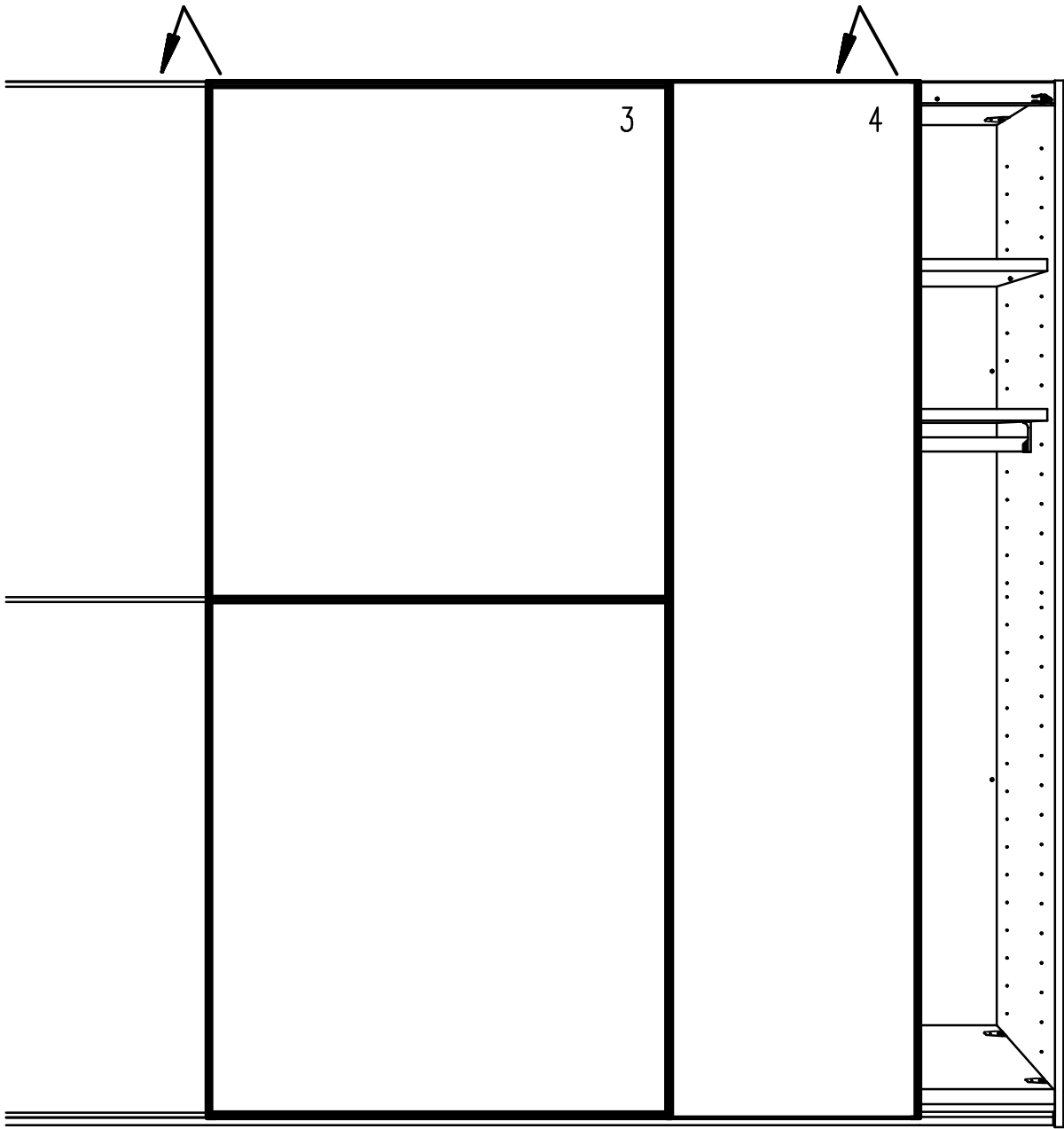


(1285) 2 x

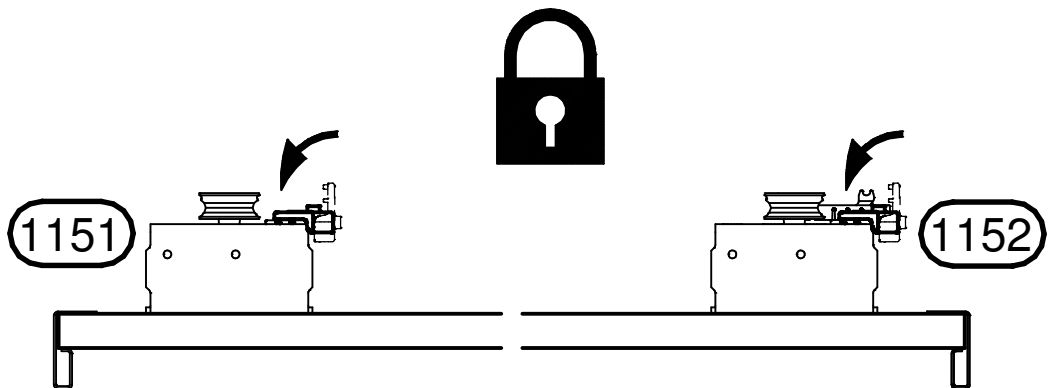
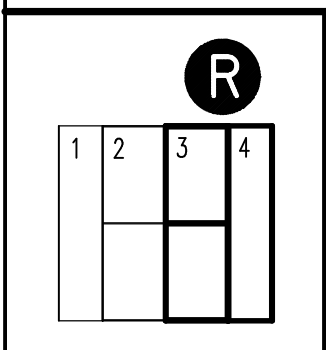


R			
1	2	3	4

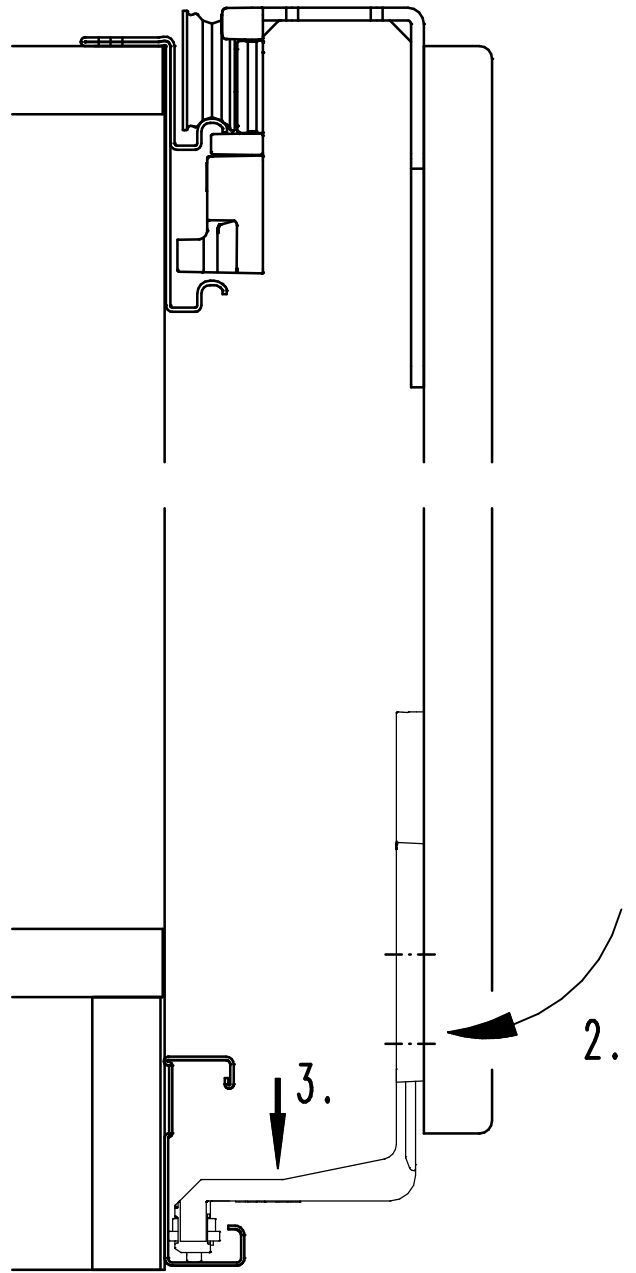
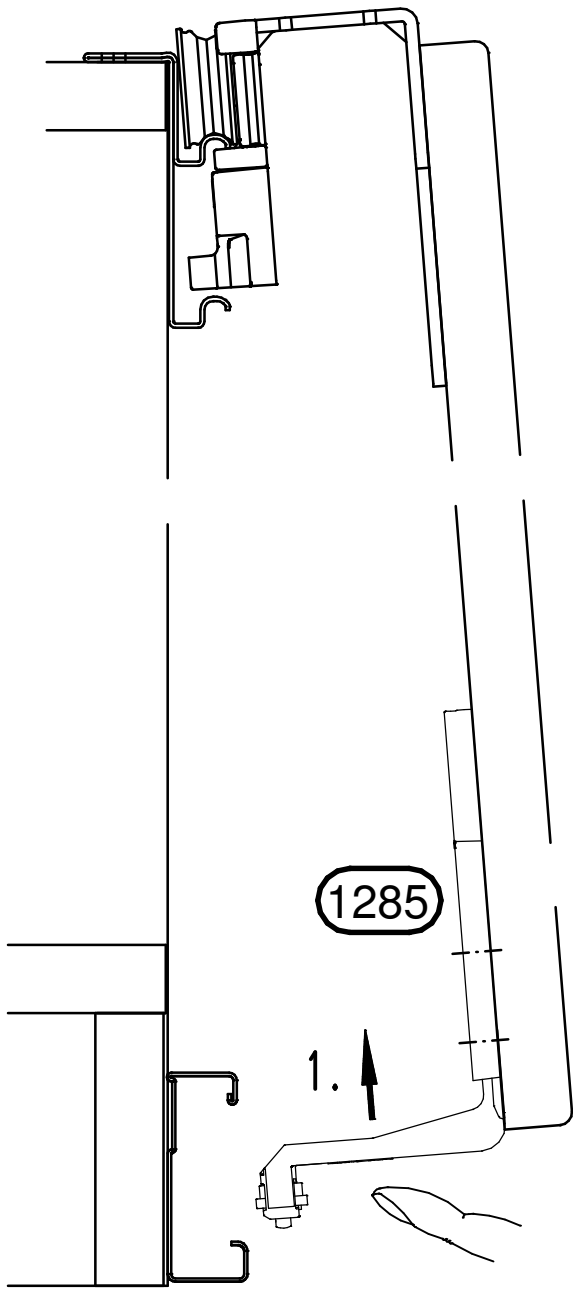
17.



18.



19.

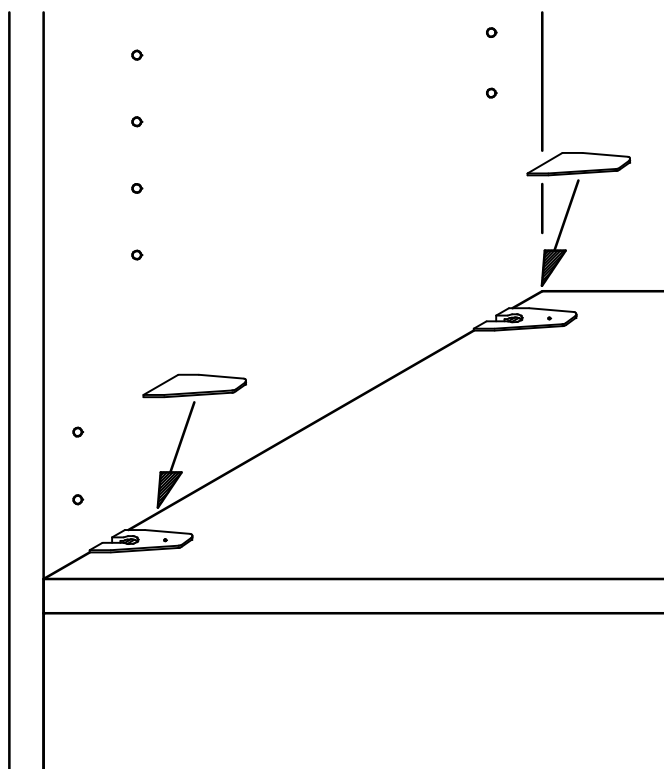
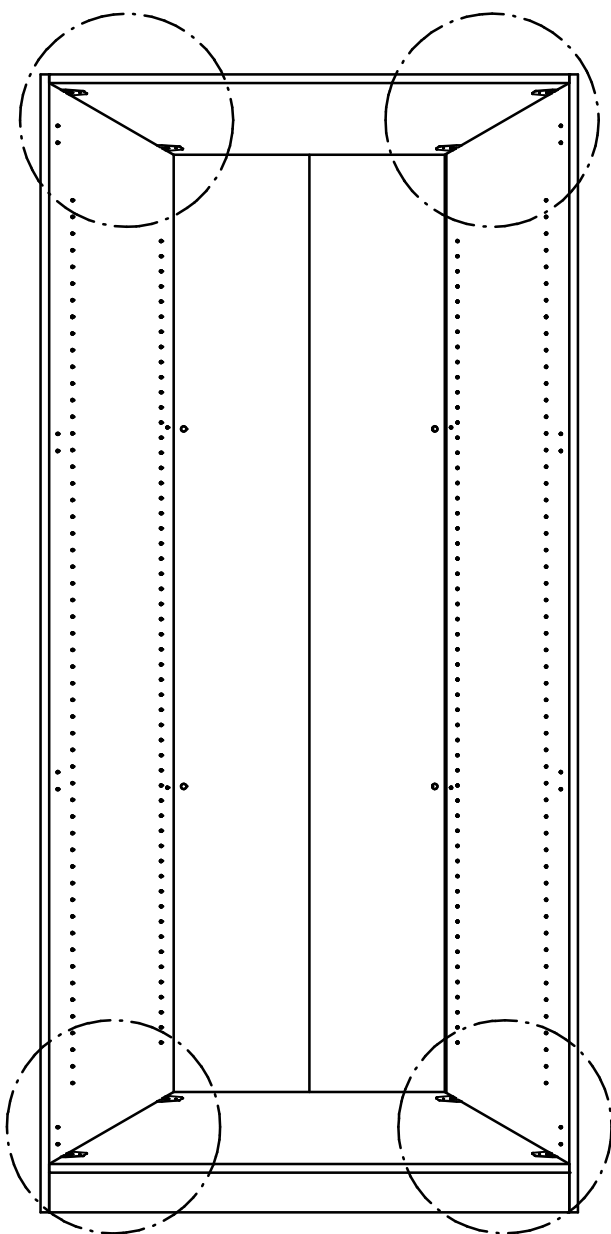
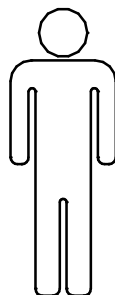
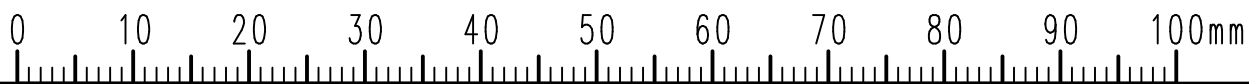


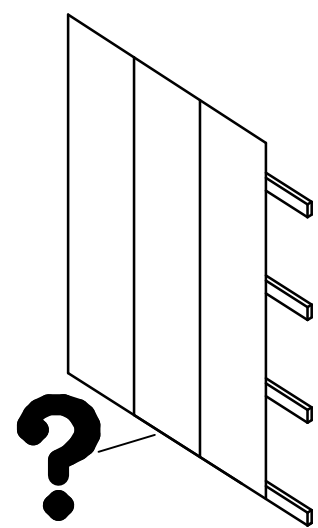
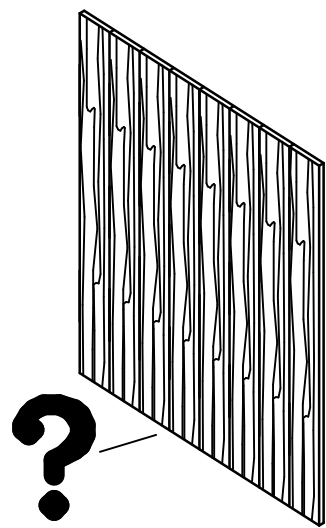
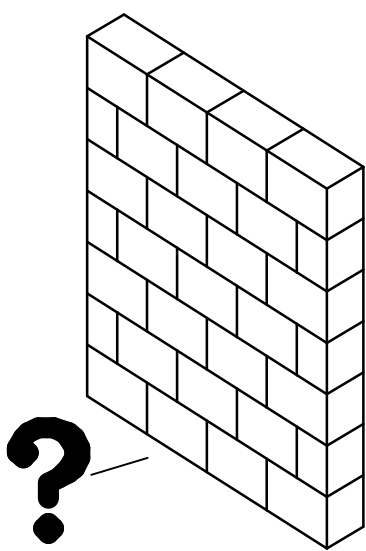
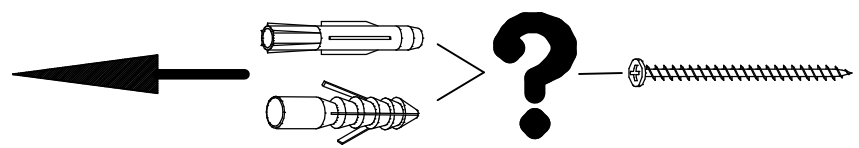
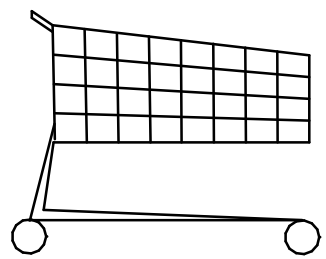
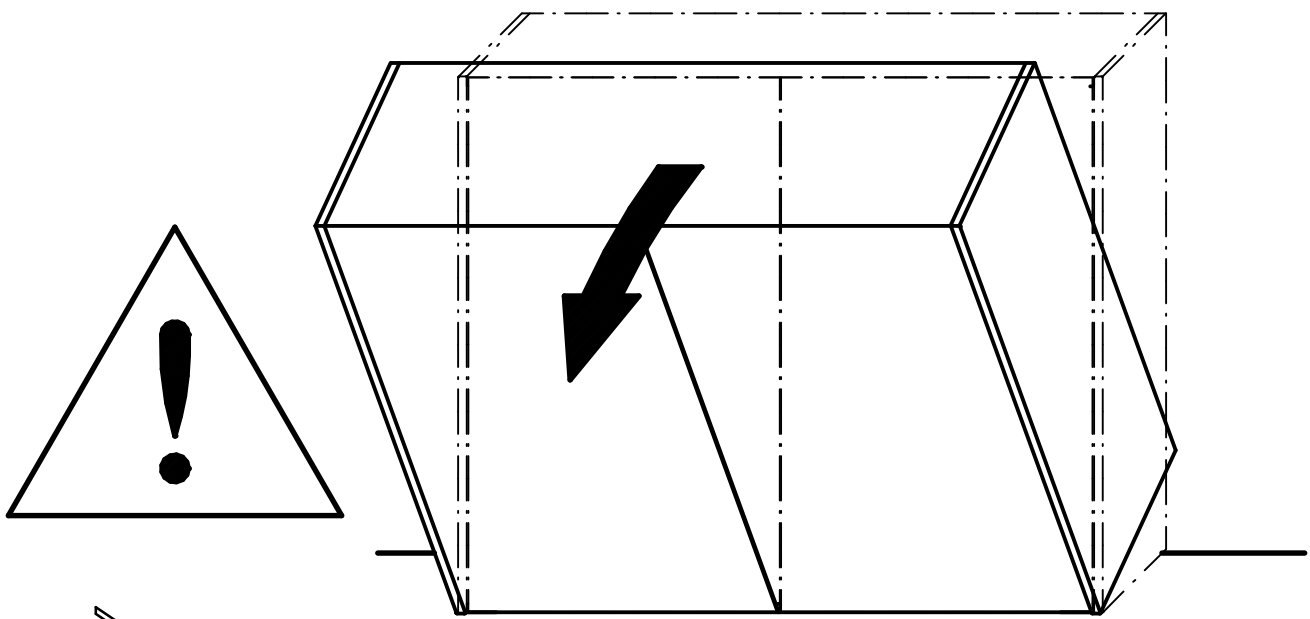
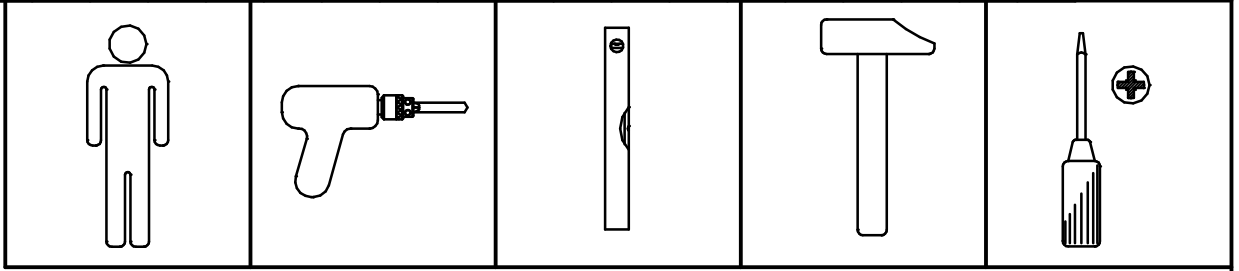
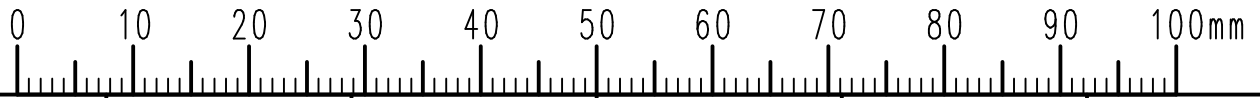
R

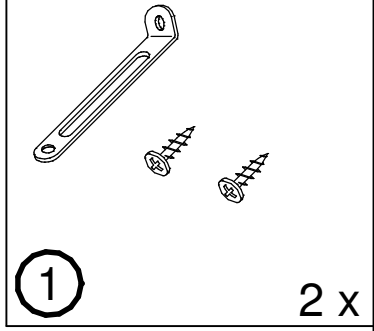
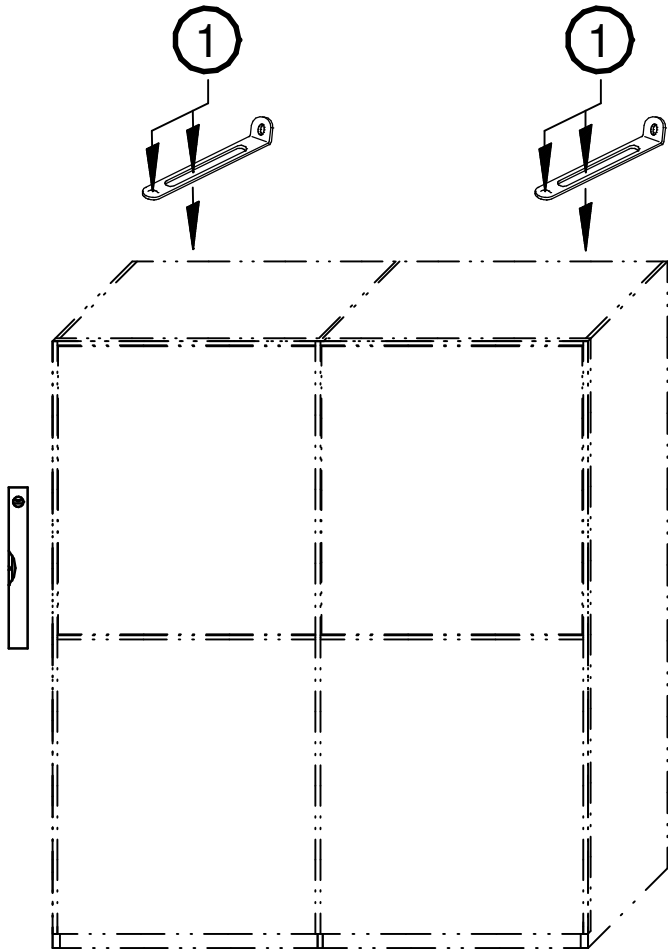
1	2	3	4

Montageanleitung

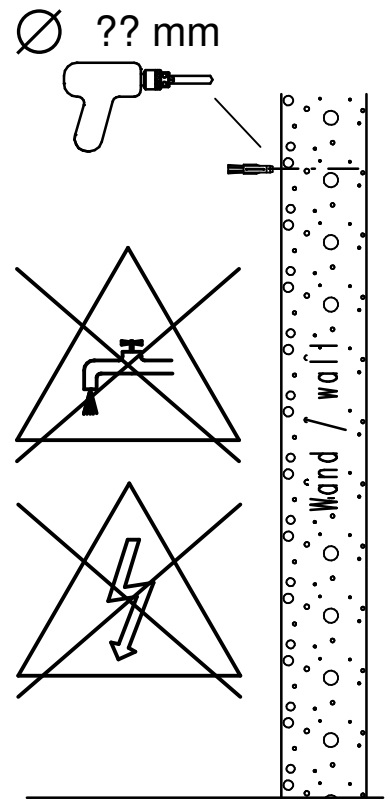
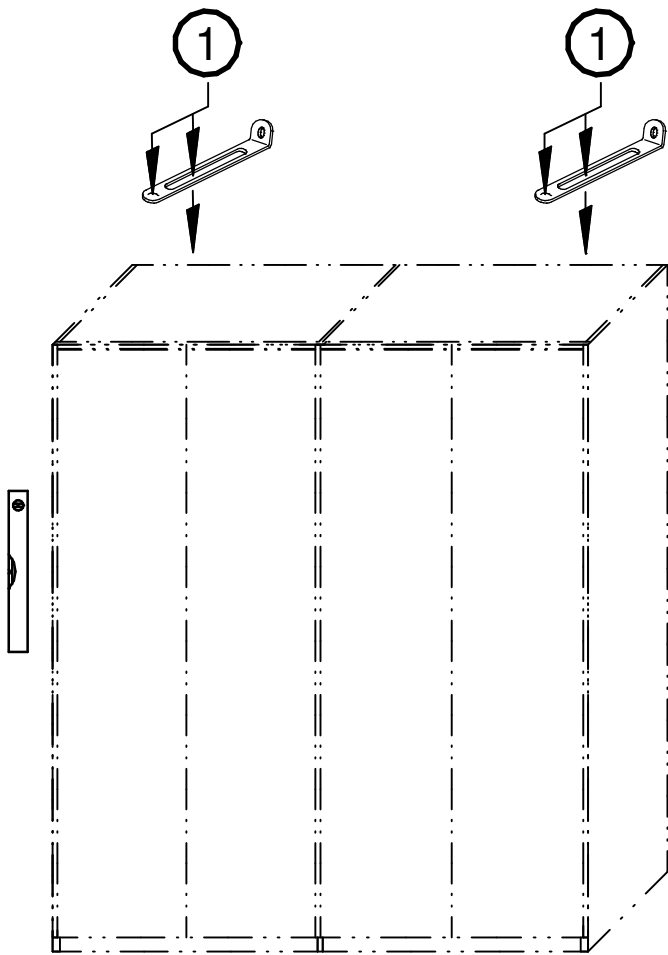
Assembly Instructions







VERSION 1



VERSION 2