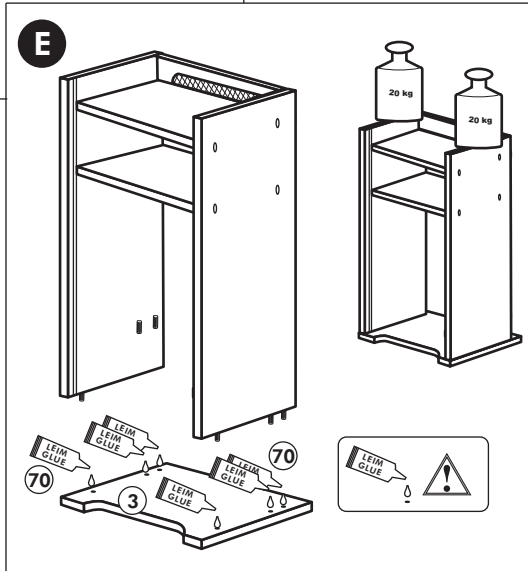
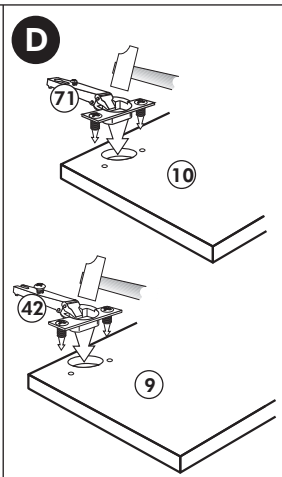
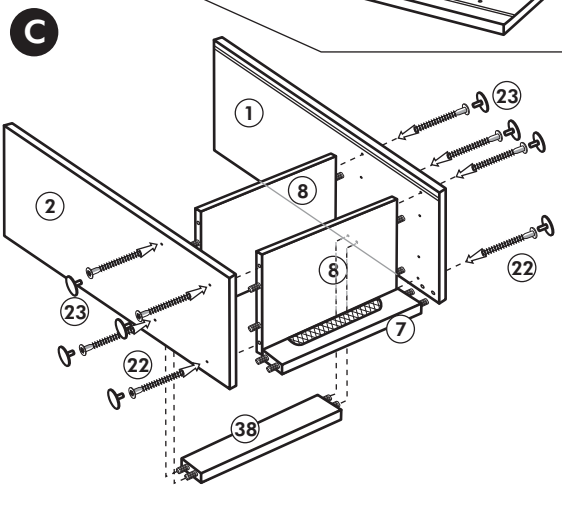
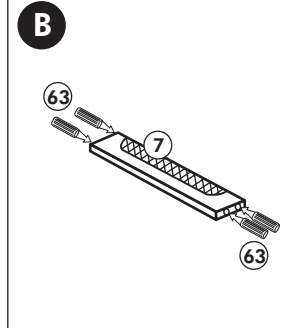
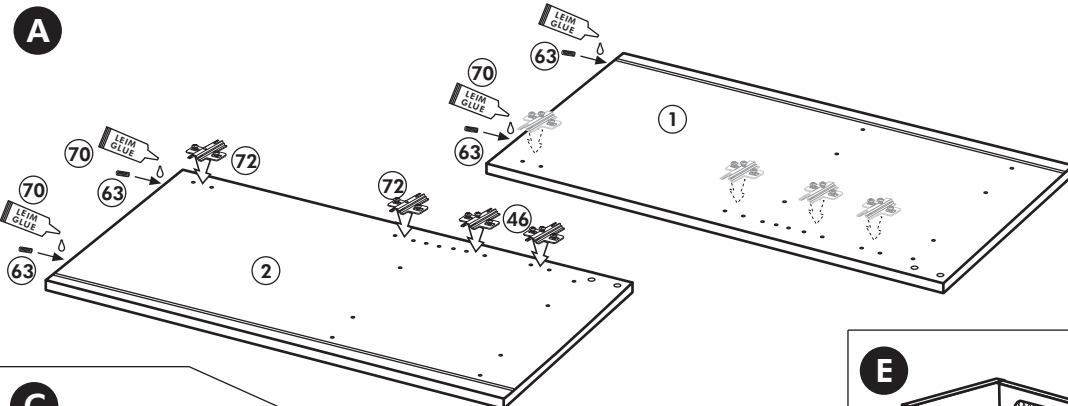
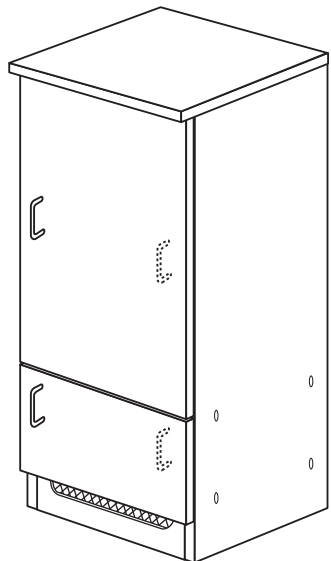
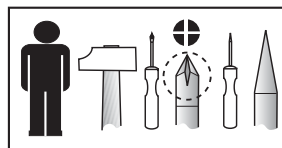


# Kühlschranksbau 145cm

Nr. 308 Rev.00



- |      |       |       |                   |
|------|-------|-------|-------------------|
| 1x 1 | 1x 2  | 1x 10 | 26 4x 4,0 x 30 M4 |
| 1x 3 | 2x 8  | 1x 9  | 23 8x Ø 3         |
| 1x 5 | 1x 38 |       | 72 2x             |
|      | 1x 7  |       | 63 10x 8 x 30     |
|      |       |       | 22 8x             |
|      |       |       | 71 2x             |
|      |       |       | 70 1x LEIM GLUE   |
|      |       |       | 42 2x             |
|      |       |       | 27 10x 3,0 x 20   |
|      |       |       | 46 2x             |
|      |       |       | 60 2x Ø 5         |
|      |       |       | 21 2x             |

