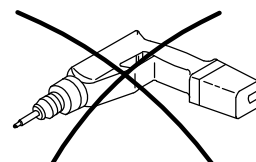
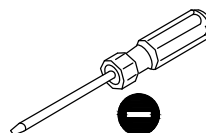
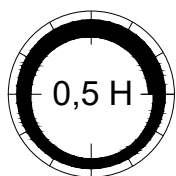
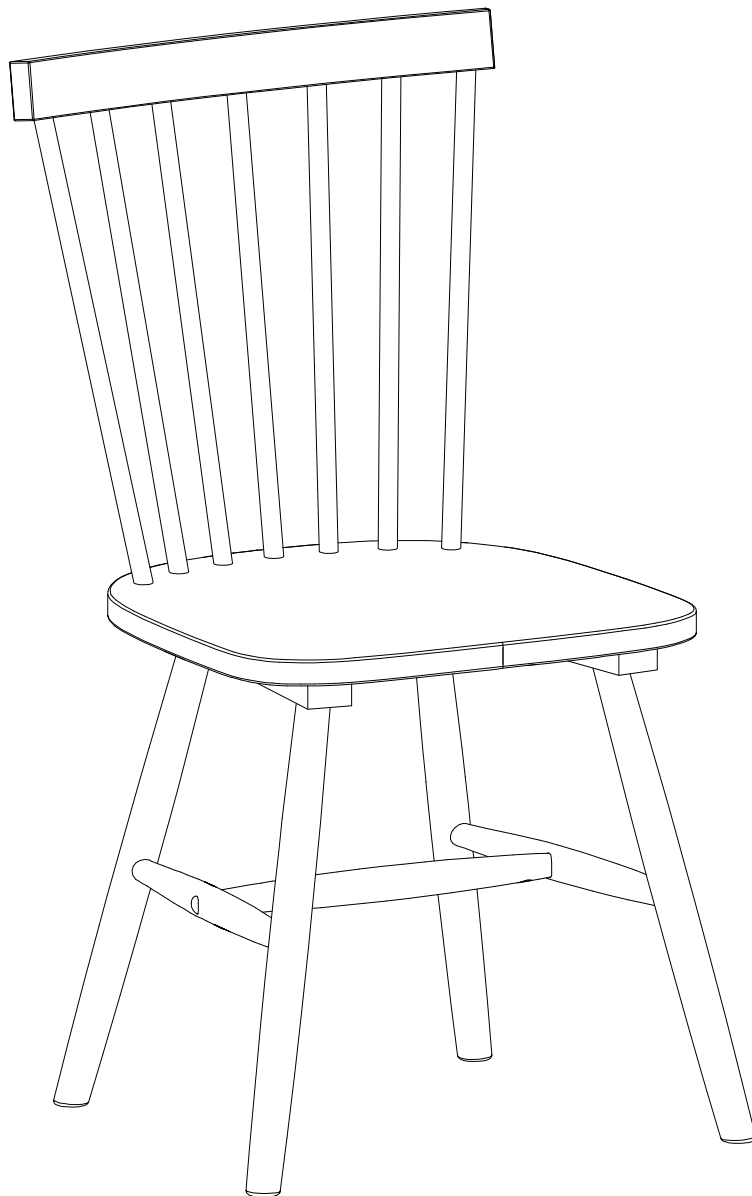
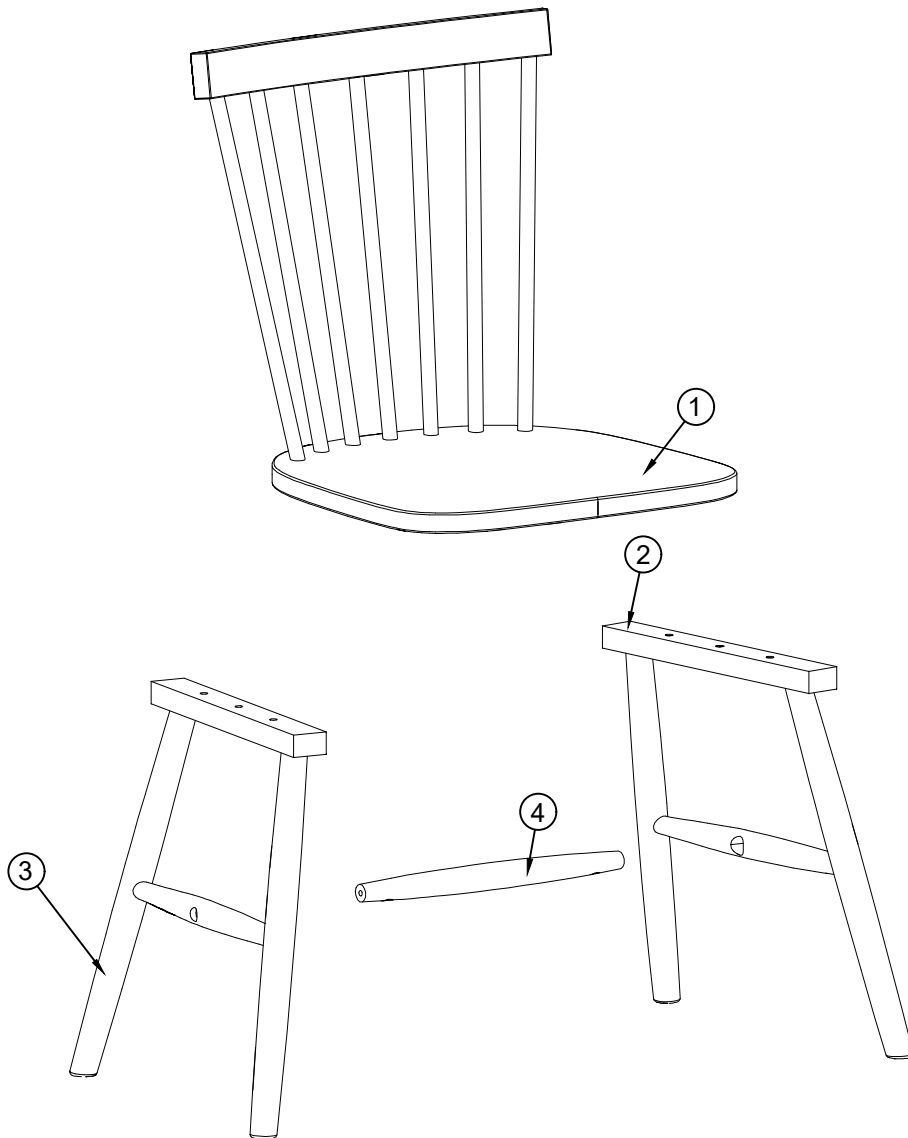
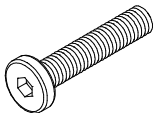
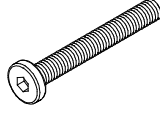
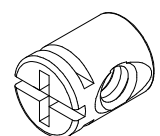
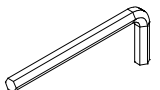
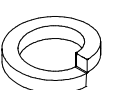
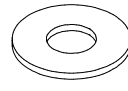

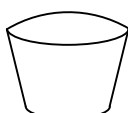


# RIANO

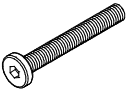
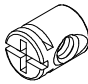



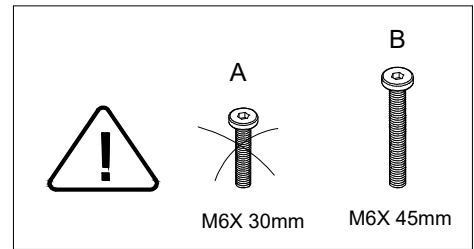
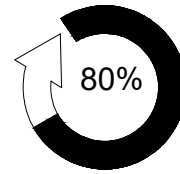
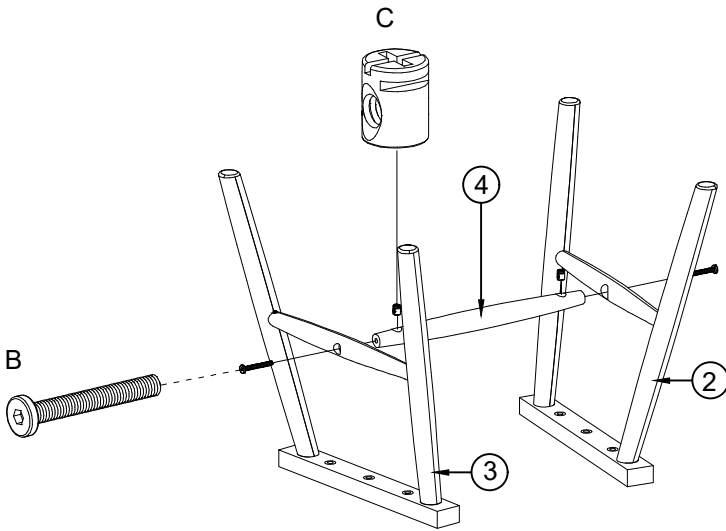
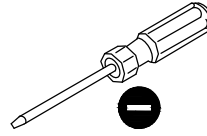
			✓
①	1	448X450X470	
②	1	452X435X39	
③	1	452X435X39	
④	1	330XØ30	



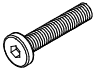

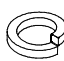

<p>AX6</p>  <p>M6X30 mm</p>	<p>BX2</p>  <p>M6X45 mm</p>	<p>CX2</p>  <p>Ø10X13 mm</p>	<p>DX1</p>  <p>4mm</p>	<p>EX6</p>  <p>Ø6/Ø12 mm</p>
<p>FX6</p>  <p>Ø6/Ø13 mm</p>	<p>GX4</p>  <p>Ø20X3 mm</p>	<p>HX2</p>  <p>Ø13.5X9 mm</p>		

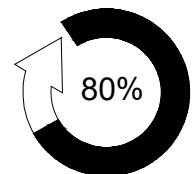
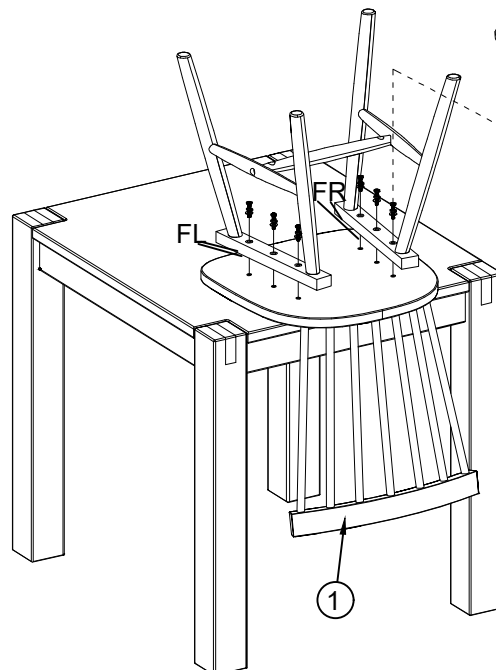
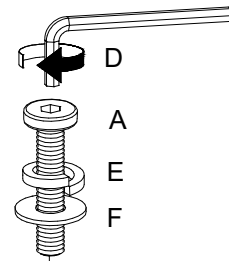
# 1

<b>BX2</b>  M6X45 mm	<b>CX2</b>  Ø10X13 mm	<b>DX1</b>  4mm
---	--	--

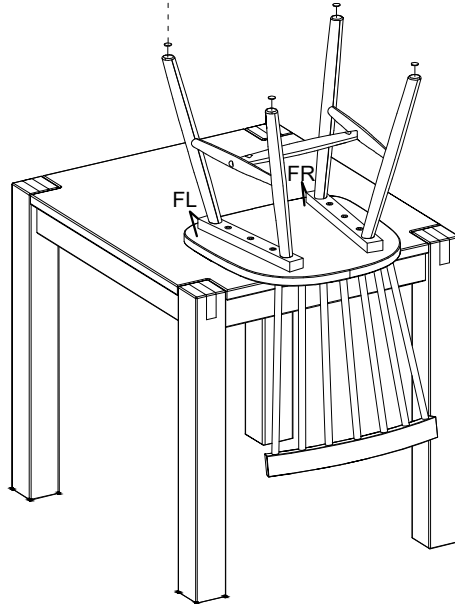
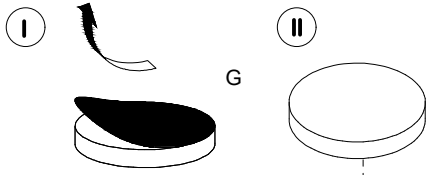
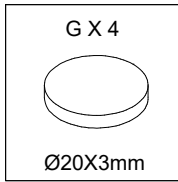


# 2

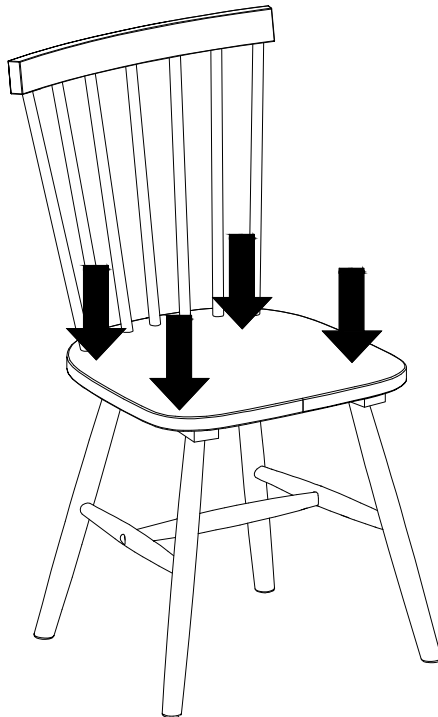
<b>AX6</b>  M6X30 mm	<b>DX1</b>  4mm	<b>EX6</b>  Ø6/Ø12 mm	<b>FX6</b>  Ø6/Ø13 mm
---	--	--	--



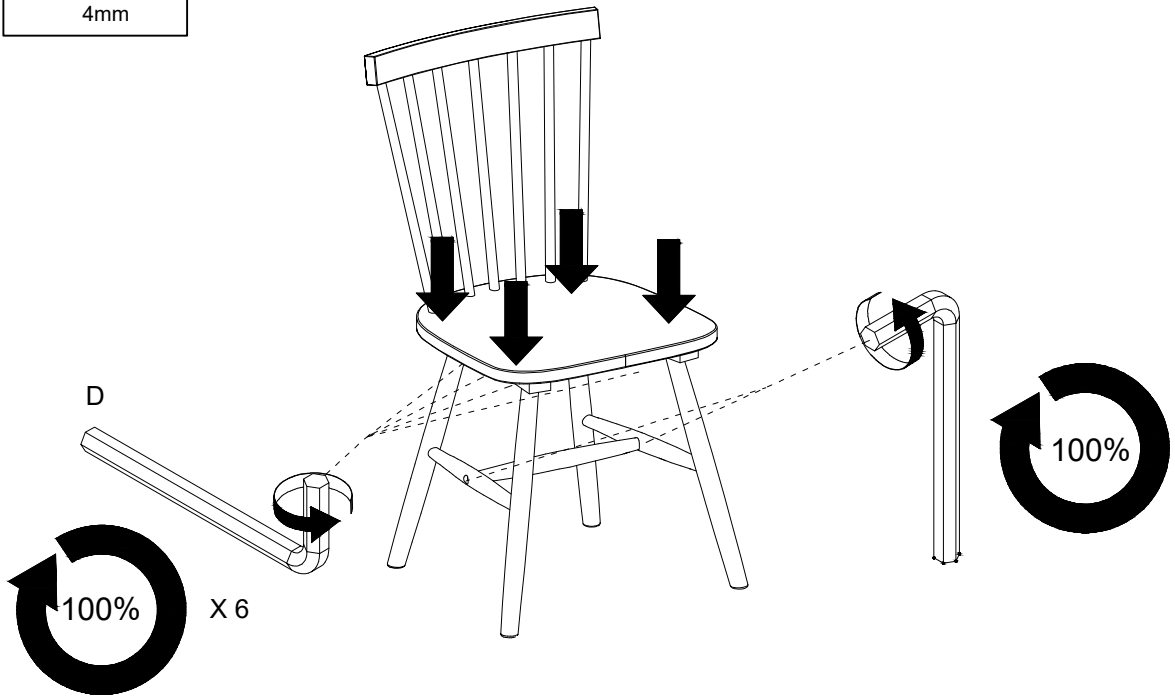
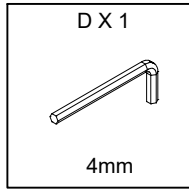
# 3



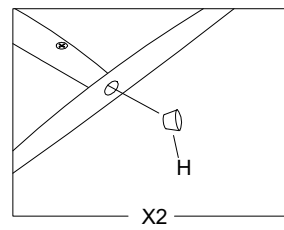
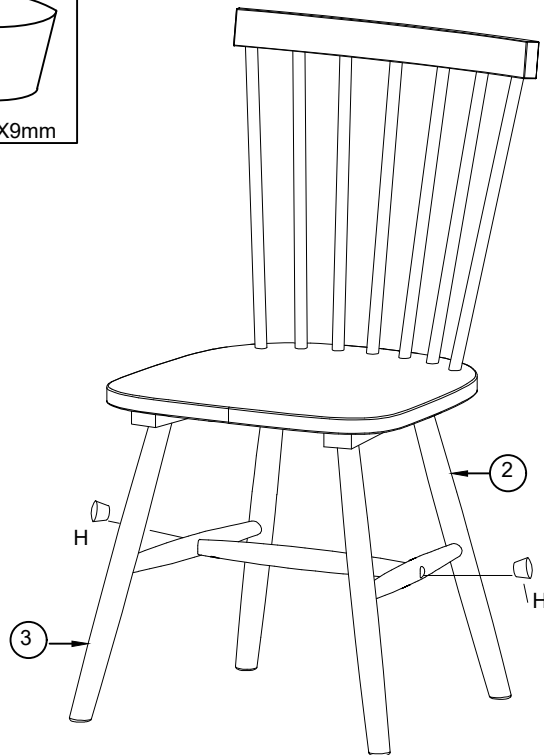
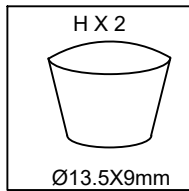
# 4



5



6



7

