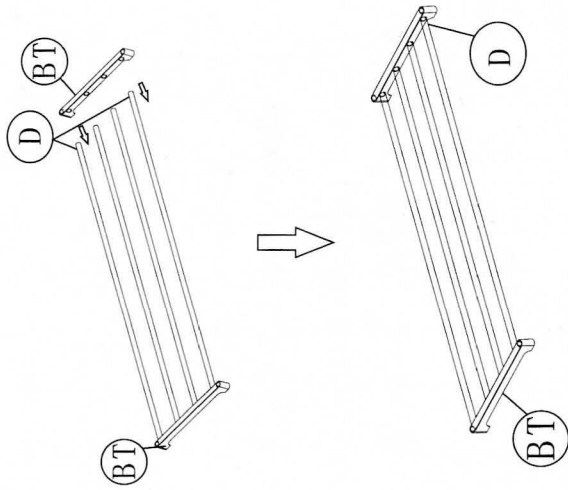


22571

NO.	Qty	Length mm	Sketch
A	4	100	
B	12	198	
C	2	260	
D	16	645	
BT	8		
2X	4		

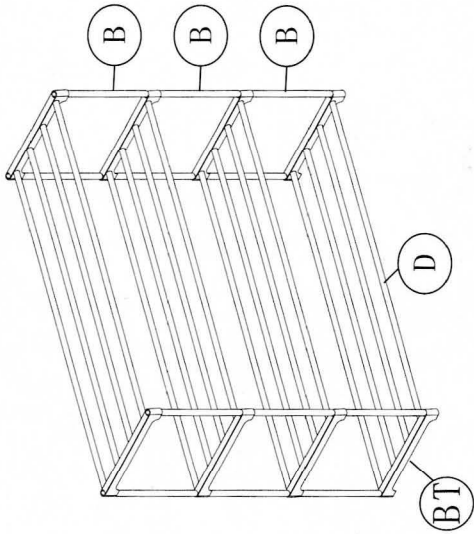
1

BTx2
Dx4



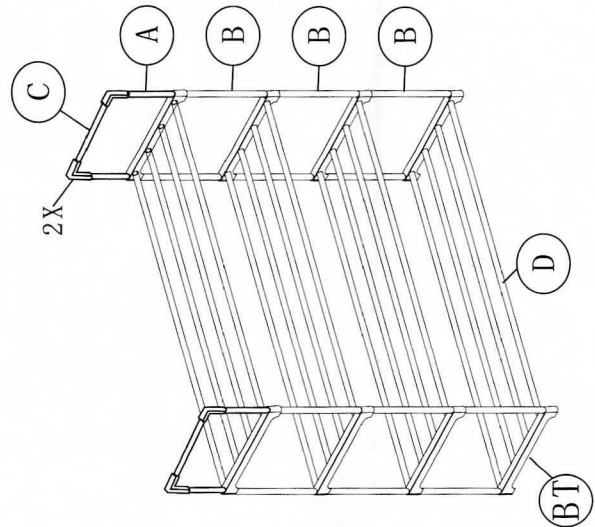
2

BTx6
Dx12
Bx12



3

2Xx4
Ax4
Cx2



4

