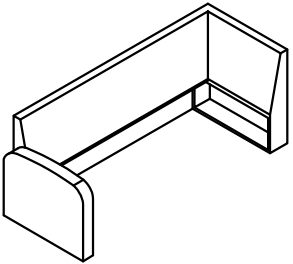
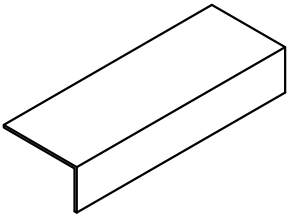







ASSEMBLY INSTRUCTIONS - THE RIGHT ARM CHAIR

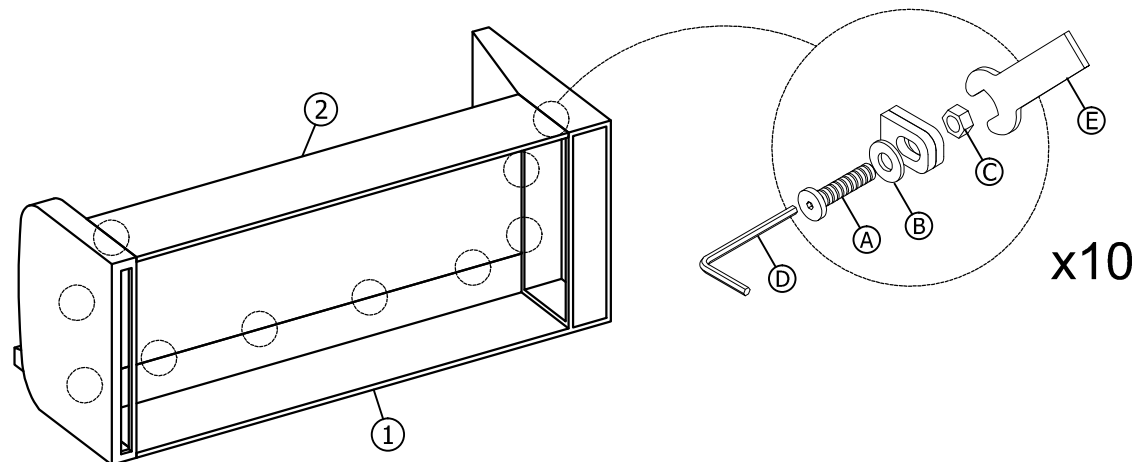
PART LIST

1		x1
1		x1

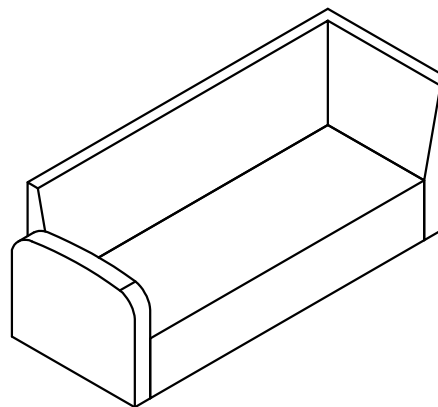
HARDWARE LIST

NO.	DESCRIPTION	SKETCH	Q.TY
A	Allen Bolt M6x30		10
B	Flat Washer Ø6		10
C	Nut ØM6		10
D	Allen Wrench M4		1
E	Key wrench		1

STEP 1

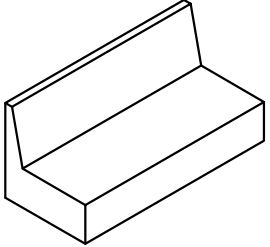
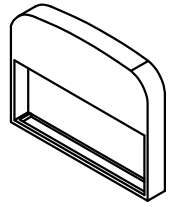


STEP 2








ASSEMBLY INSTRUCTIONS - THE LEFT ARM CHAIR

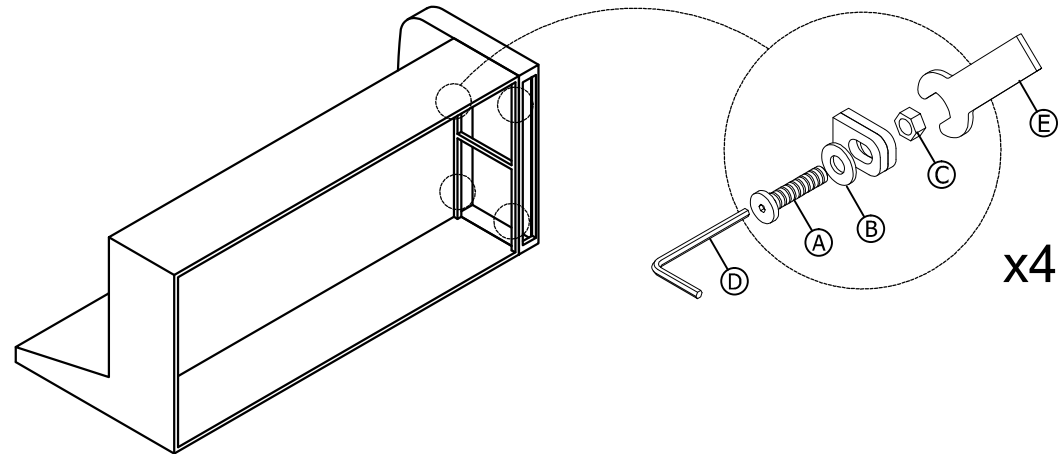
PART LIST

1		x1
1		x1

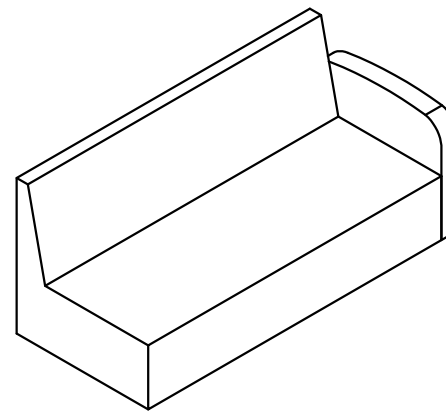
HARDWARE LIST

NO.	DESCRIPTION	SKETCH	Q.TY
A	Allen Bolt M6x30		4
B	Flat Washer Ø6		4
C	Nut ØM6		4
D	Allen Wrench M4		1
E	Key wrench		1

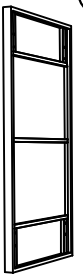
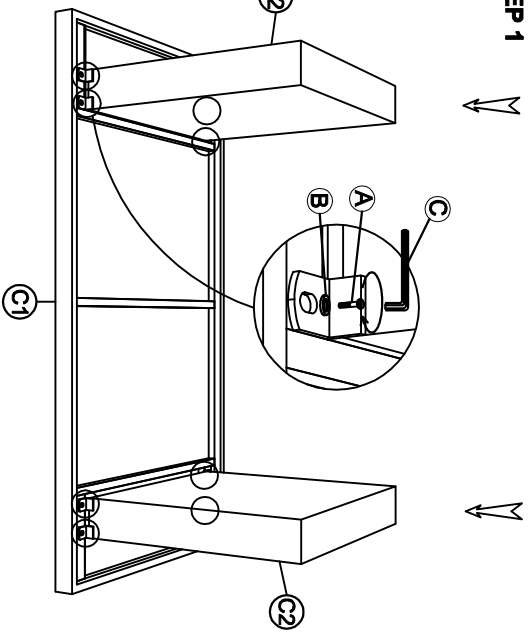
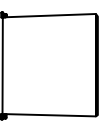
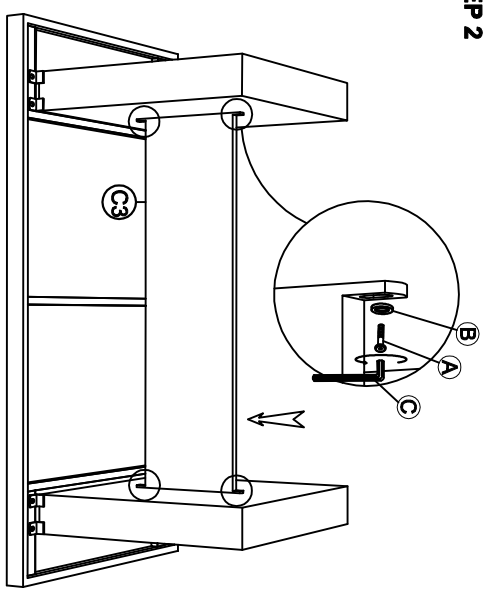


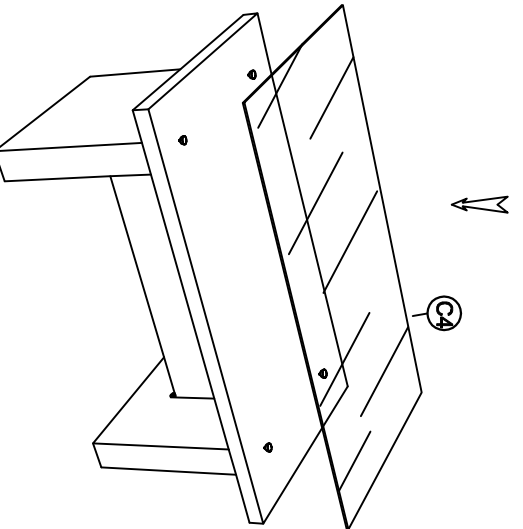


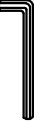
STEP 1



STEP 2



ASSEMBLY INSTRUCTIONS - THE TABLE

NO	DESCRIPTION	QTY		
1	 (C1)	1PC	STEP 1 	
2	 (C2)	2PCS	STEP 2 	
3	 (C3)	1PC		
4	 (C4)	1PC	STEP 3 	
5	(A) M6 X25(mm) 	12PCS		
6	(B) Ø6 /16(mm) 	12PCS		
7	(C) 	1PC	STEP 4 