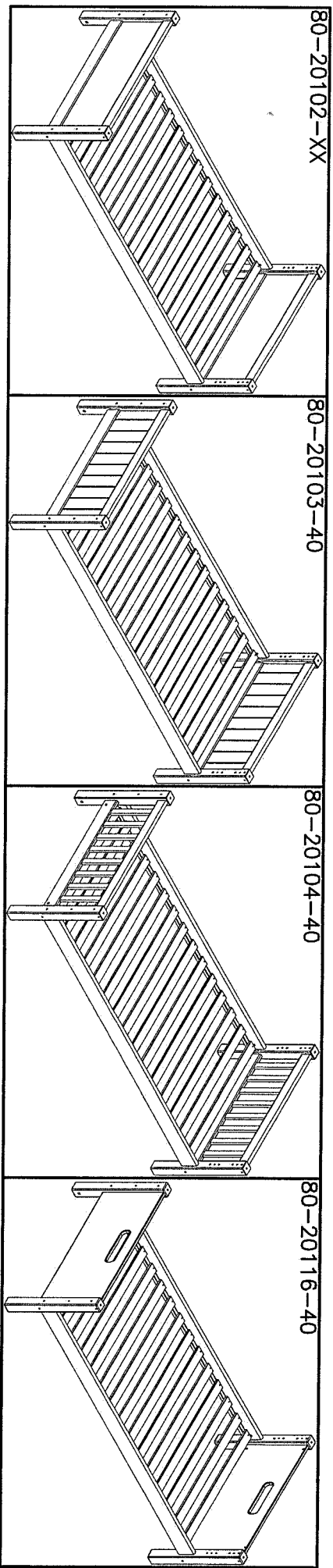


# 80-20101-40



See assembly instruction in box no.  
 Voir notice de montage dans la caisse no.  
 Siehe Aufbauanleitung im Karton no.  
 Zie voor de montage-instructie pakketnr.

Before assembling this product, please ensure that all the components supplied comply with the list on this page. All Screw-type fittings can be tightened with the tool.

Avant de commencer l'assemblage, veuillez contrôler si tous les objets indiqués sont présents. Tous les vis peuvent être serrés par cet outil.

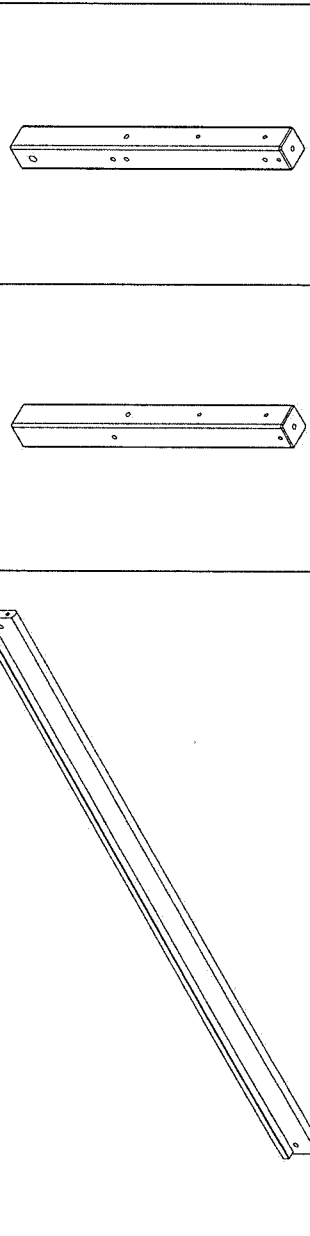
Bevor Sie mit dem Aufbau beginnen, kontrollieren Sie ob alle auf der Zeichnung angegebenen Teile vorhanden sind. Bitte verwenden Sie zur Montage einen Kreuzschraubzieher und den beiliegenden Inmensechskantschlüssel.

Note-nr. Part no. Ref. No. **Stück. Qty. Qte.**

Siehe Bild-nr. See picture no. **Mass Dim.**



|                |              |                |              |               |              |
|----------------|--------------|----------------|--------------|---------------|--------------|
| 12-06306473-40 | 2 stick/pcs. | 12-06306474-40 | 2 stick/pcs. | 1305-19672-40 | 2 stick/pcs. |
|----------------|--------------|----------------|--------------|---------------|--------------|

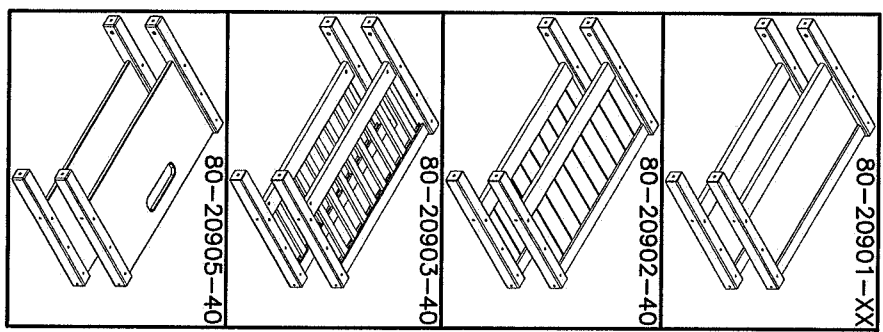


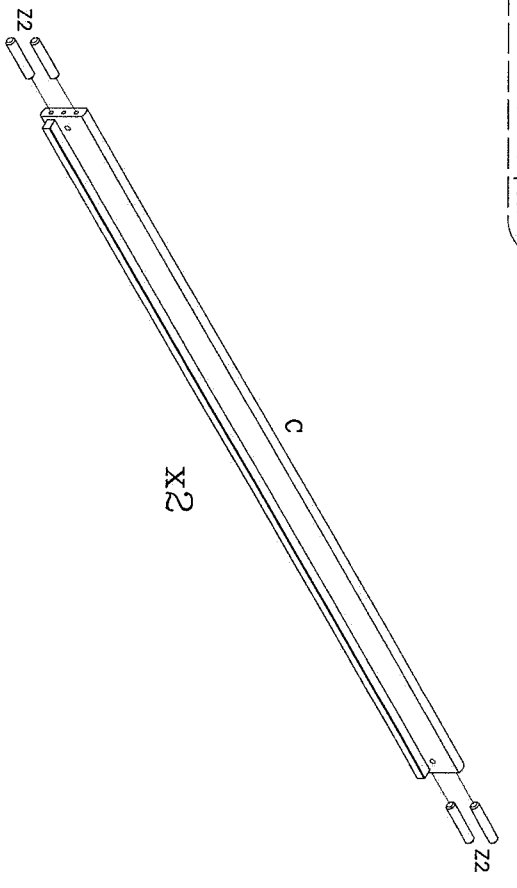
|            |              |           |   |           |   |             |
|------------|--------------|-----------|---|-----------|---|-------------|
| 3922-08018 | 8 stick/pcs. | 647x63x63 | B | 647x63x63 | C | 1967x115x26 |
|------------|--------------|-----------|---|-----------|---|-------------|

|    |                  |               |    |           |          |
|----|------------------|---------------|----|-----------|----------|
| Z1 | M6/ø12x18 mm, Z2 | ø10x50 mm, Z3 | Z4 | ø4x30 mm, | 4033-005 |
|----|------------------|---------------|----|-----------|----------|

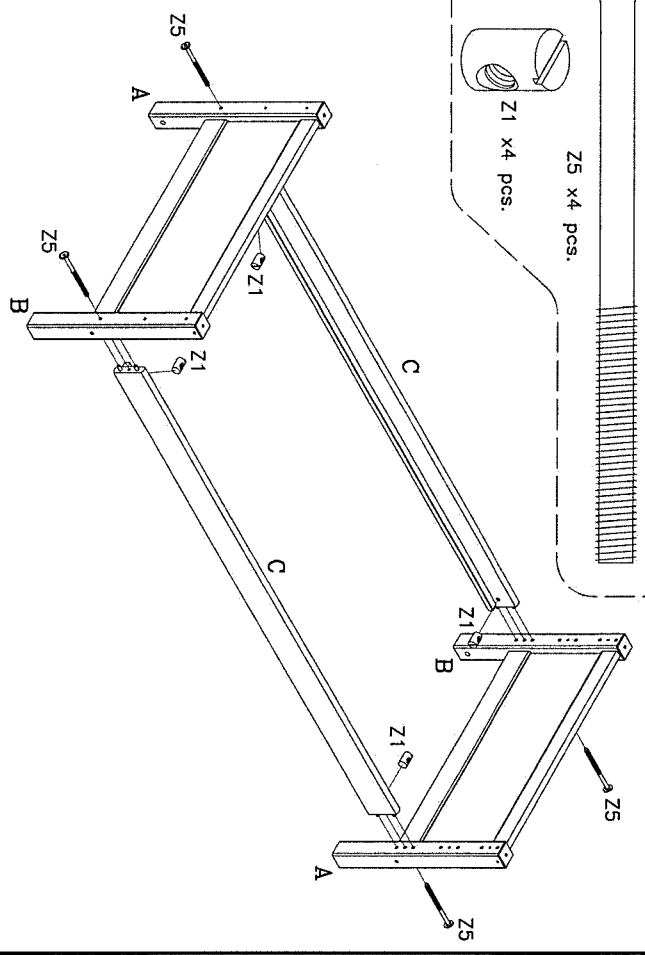
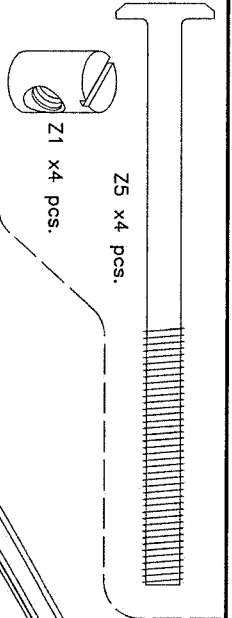
|    |               |           |    |         |  |
|----|---------------|-----------|----|---------|--|
| Z5 | M8x110 mm, Z6 | ø8 mm, Z7 | Z8 | ø18 mm, |  |
|----|---------------|-----------|----|---------|--|

|            |              |               |               |              |               |              |              |   |            |
|------------|--------------|---------------|---------------|--------------|---------------|--------------|--------------|---|------------|
| 3913-08110 | 8 stick/pcs. | 3938-000081-2 | 16 stick/pcs. | 3938-00010-2 | 20 stick/pcs. | 3938-00016-2 | 4 stick/pcs. | 1 | stick/pcs. |
|------------|--------------|---------------|---------------|--------------|---------------|--------------|--------------|---|------------|

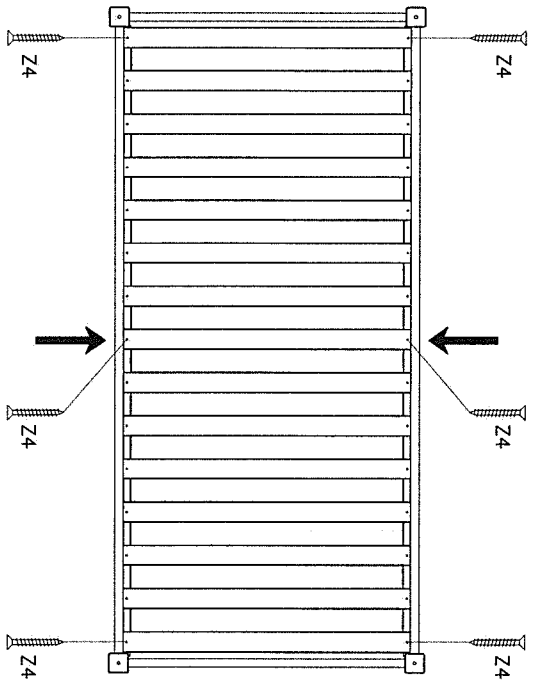




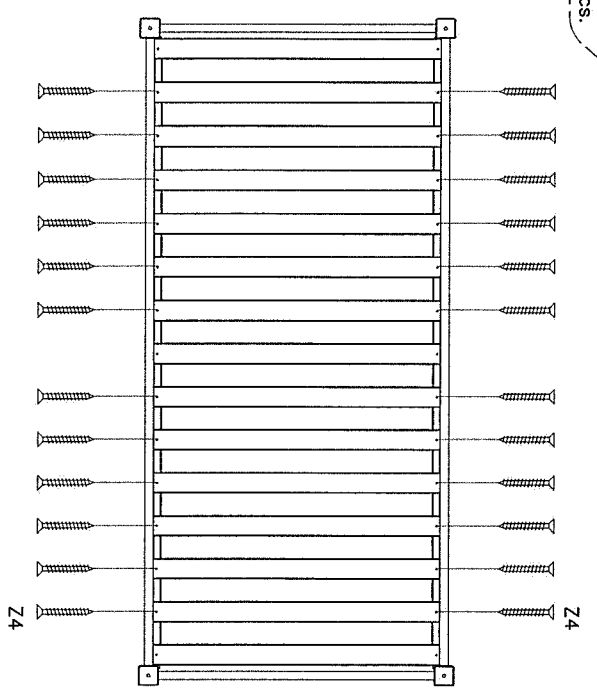
2



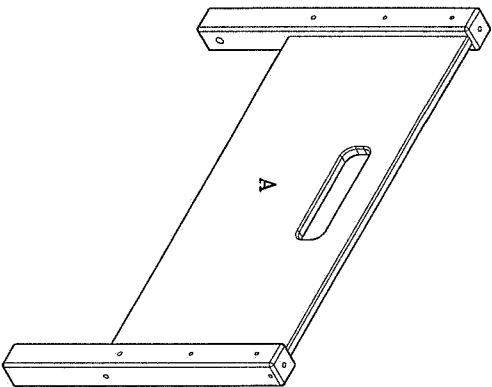
3



4



# 80-20905-40 White



|   |   |  |   |                              |
|---|---|--|---|------------------------------|
| <p>Before assembling this product, please ensure that all the components supplied on the back of this page. All screws and fittings to be tightened with this tool.</p> | <p>Avant de commencer l'assemblage, veuillez contrôler si tous les objets indiqués sont présents, tous les vis peuvent être serrés par cet outil.</p> | <p>Bevor Sie mit dem Aufbau beginnen, kontrollieren Sie ob alle auf der Zeichnung angegebenen Teile vorhanden sind. Bitte verwenden Sie zur Montage den mitgelieferten Inbenschlüssel.</p> | <p>Ware-nr. Part no. Réf. No. See picture no. Image no.</p> | <p>Stück. Qty. Dim. Mass</p> |
|---|---|--|---|------------------------------|

|                 |              |             |              |              |
|-----------------|--------------|-------------|--------------|--------------|
| 4301-2209631-40 | 2 stick/pcs. |             |              |              |
|                 |              | 3922-060181 | 4 stick/pcs. |              |
|                 |              | Z28         | M6/Ø10x18mm  |              |
|                 |              | 3913-06110  | 4 stick/pcs. | 4033-004     |
|                 |              | Z29         | M6x110 mm.   | 1 stick/pcs. |
|                 |              |             |              | 4 mm.        |

Z1, Z2, Z5 Fittings in single / bunk bed box.  
 Z1, Z2, Z5 Beschläge im Einzel- / Etagenbett Karton.  
 Z1, Z2, Z5 Raccords en lit simple / lit superposé.  
 Z1, Z2, Z5 Fittings in het enkelespel / stapelbed boxen.

**1**

Z2 x8 pcs.

Z29 x2 pcs.  
Z5 x2 pcs.  
Z1 x2 pcs.  
Z28 x2 pcs.

**2a**

Bunk bed only. Nur Etagen Bett.  
 Lits superposés seulement. Alleen stapelbed

**2b**

Z29 x2 pcs.  
Z5 x2 pcs.  
Z1 x2 pcs.  
Z28 x2 pcs.

**3a**

Z29 x2 pcs.  
Z5 x2 pcs.  
Z1 x2 pcs.  
Z28 x2 pcs.

Z29 x2 pcs.  
Z5 x2 pcs.  
Z1 x2 pcs.  
Z28 x2 pcs.

**3b**

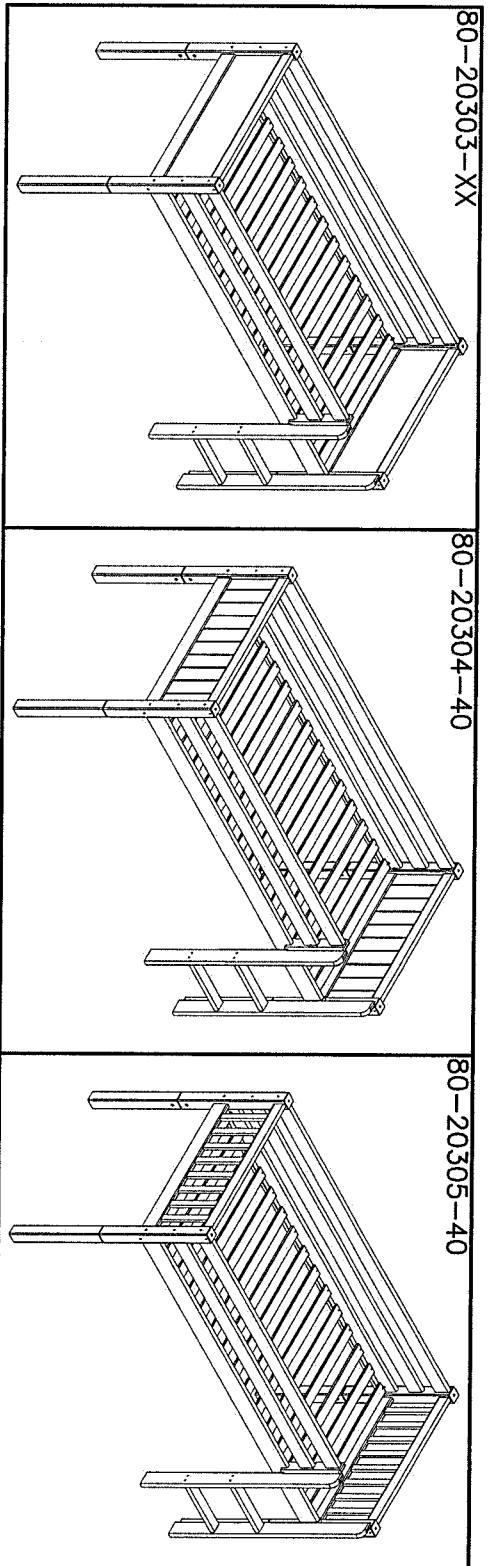
Z29 x2 pcs.  
Z5 x2 pcs.  
Z1 x2 pcs.  
Z28 x2 pcs.

**3a**

Z29 x2 pcs.  
Z5 x2 pcs.  
Z1 x2 pcs.  
Z28 x2 pcs.

**3b**

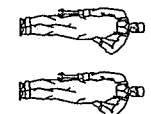
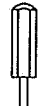
# 80-20301-40



Before assembling this product, please ensure that all the components supplied comply with the list on this page. All Screw-type fittings can be tightened with this tool.

Avant de commencer l'assemblage, veuillez vous assurer que tous les objets inclus sont présents. Tous les vis peuvent être serrés par cet outil.

Bevor Sie mit dem Aufbau beginnen, kontrollieren Sie ob alle auf der Zeichnung angegebenen Teile vorhanden sind. Bitte verwenden Sie zur Montage einen Kreuzschraub-zähler und den halbierten Inmenschenschlüssel.



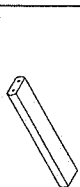
Ware-nr.  
Part no.  
Ref. No.

Stück.  
Qty.  
Qte.

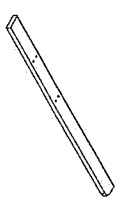
Mess  
Dim.

Siehe Bild-nr.  
See picture no.  
Image no.

12-02603182-40 2 stick./pcs. 12-02611821-40 2 stick./pcs. 12-02619676-40 2 stick./pcs.



A  
12-02603611-40 1 stick./pcs.  
318x65x26



D  
12-02615712-40 2 stick./pcs.  
1182x89x26

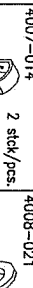
B  
12-06306363-40 4 stick./pcs.  
361x65x26



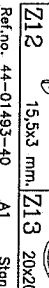
C  
3930-10050 16 stick./pcs. 3909-70100 535x63x63  
1571x89x26



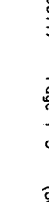
E  
3903-40025 3 stick./pcs. 3907-63022 3 stick./pcs. 3917-10012 4 stick./pcs.



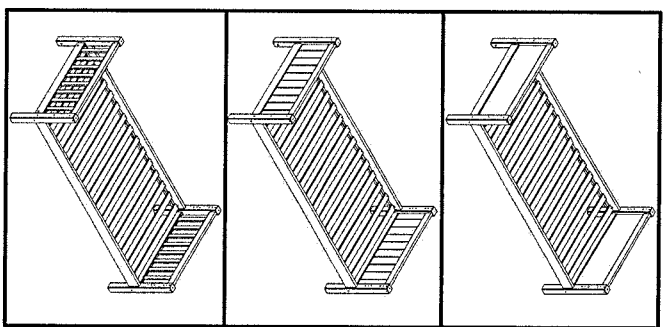
F  
3903-40025 3 stick./pcs. 3907-63022 3 stick./pcs. 3917-10012 4 stick./pcs.

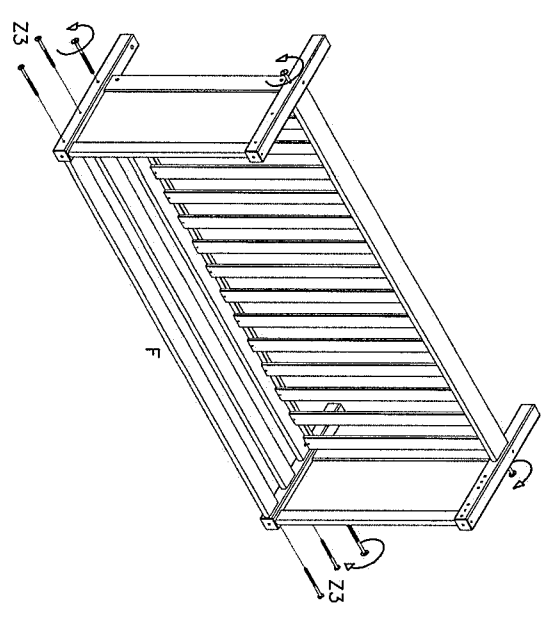
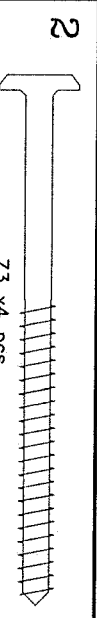
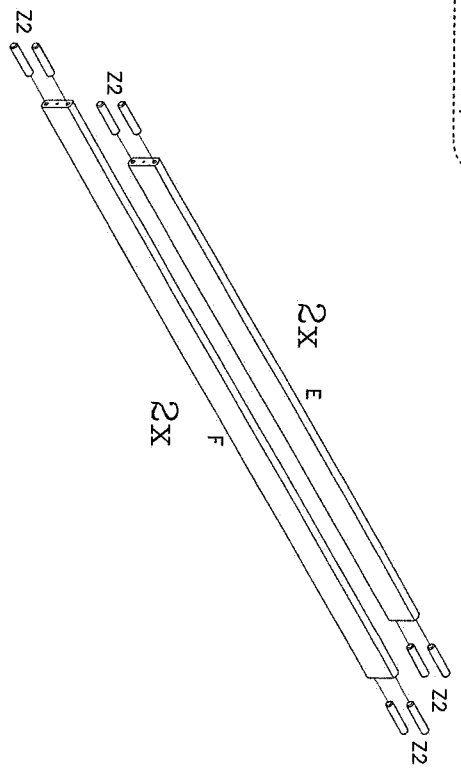
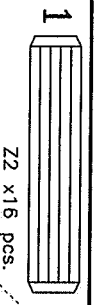


Z2  
4007-014 2 stick./pcs. 4008-021 3 stick./pcs. 3922-10028 4 stick./pcs. 3909-70060 6 stick./pcs. 3938-00016-2 4 stick./pcs. 3903-40025 3 stick./pcs. 3907-63022 3 stick./pcs. 3917-10012 4 stick./pcs.

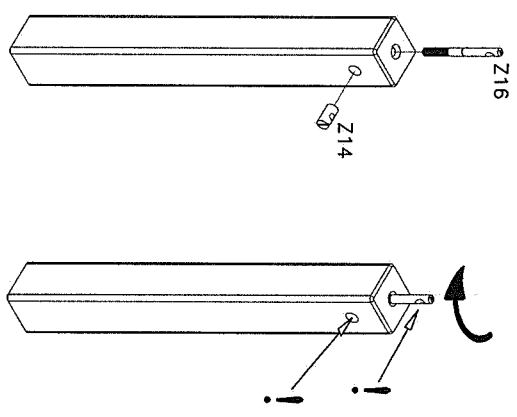
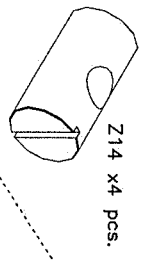
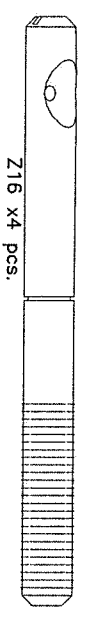


See assembly instruction in box no. 80-20101-40  
 Voir notice de montage dans la caisse no. 80-20101-40  
 Siehe Aufbauanleitung im Karton no. 80-20101-40  
 Zie voor de montage-instructie pakketnr. 80-20101-40



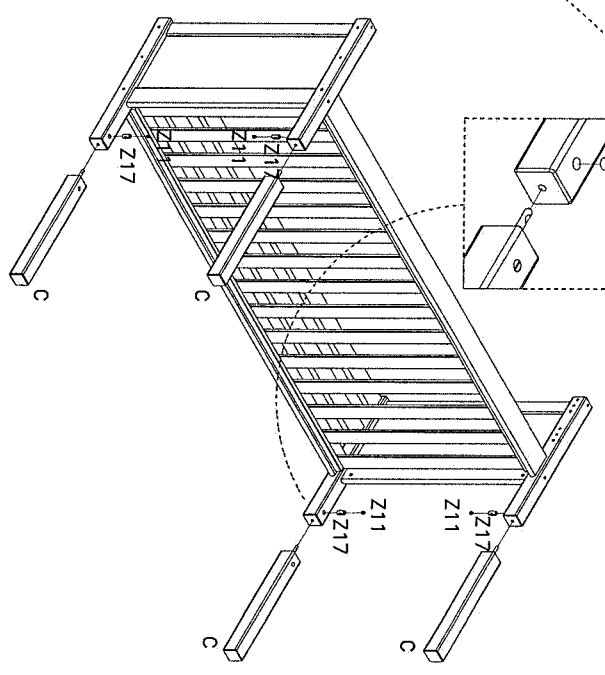
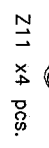
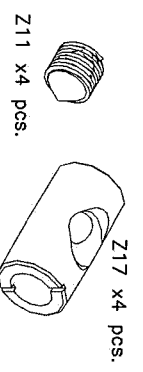


3



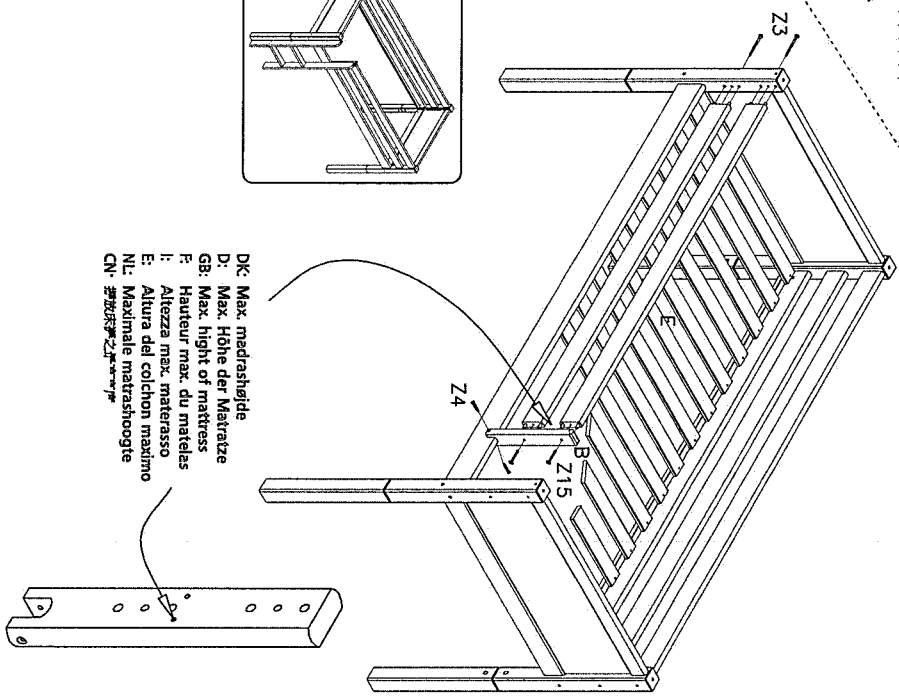
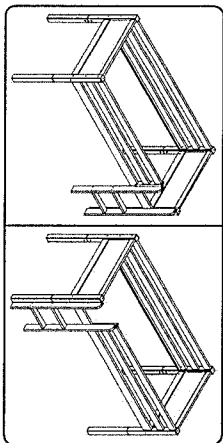
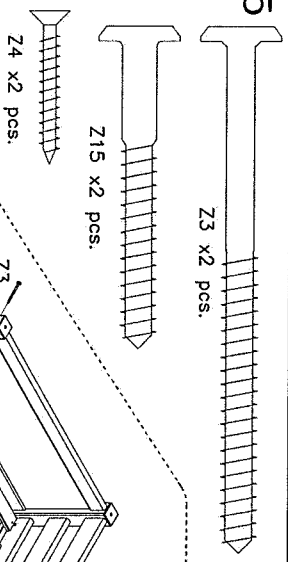
Screw the bolt Z16 into the leg, until the ring on the bolt is flush with the end of the leg.  
 Schroef de bout Z16 in de poot, tot de ringmarkering op de bout gelijkvalt met de bovenzijde van de poot.  
 Der Verbindungsbolzen Z16 wird eingeschraubt, bis der markierte Ring mit der Oberkante des Pfostens bündig ist.  
 Visser le goujon dans le pied jusqu'à ce que l'anneau gravé soit à fleur avec le bois.

4

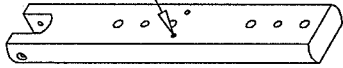


If the leg is loose after assembly, loosen the screw Z11 slightly, until the lower leg can be turned 1 time around clockwise. Then tighten the Z11 screw again.  
 Indien de poot na montage niet vast genoeg zit, dient u schroef Z11 iets los te draaien, tot de onderste poot 1 keer rechtsom gedraaid kan worden. Daarna kunt u schroef Z11 weer vastschroeven.  
 Wenn die Pfosten nicht fest genug angezogen sind, muss die Schraube Z11 leicht gelöst werden, bis der untere Pfosten 1 Mal rechts herum gedreht werden kann. Dann muss die Schraube Z11 wieder gespartet werden.  
 Si les deux montants de pied ne sont pas suffisamment serrés, il convient de desserrer légèrement la vis Z11, jusqu'à pouvoir tourner la partie inférieure du pied 1 fois dans le sens des aiguilles d'une montre. Ensuite resserrer la vis Z11.

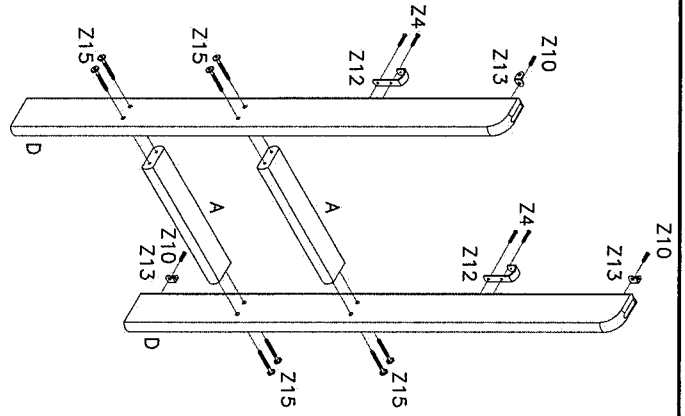
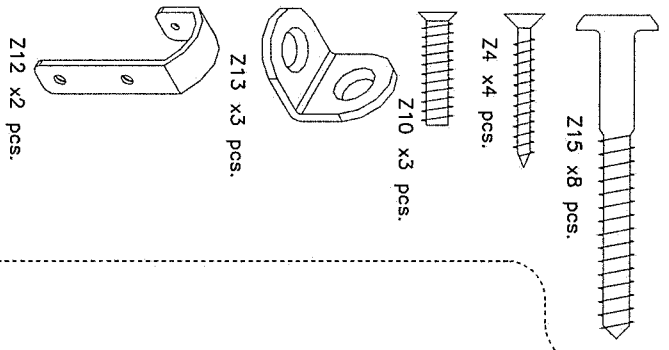
5



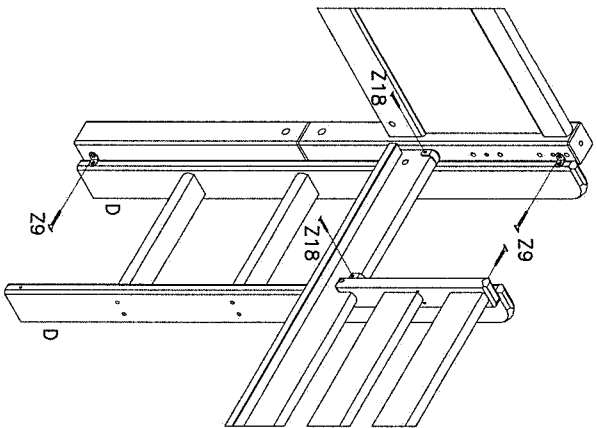
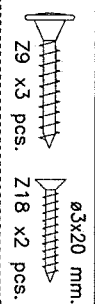
- Dk: Max. madrashögje
- D: Max. Höhe der Matratze
- Gb: Max. height of mattress
- F: Hauteur max. du matelas
- I: Altezza max. materasso
- E: Altura del colchon maximo
- Nl: Maximale matrashoogte
- Cn: 最大床厚



6



7



IMPORTANT - READ CAREFULLY - RETAIN FOR FUTURE REFERENCE

Assembly: Assembles following the instructions. Current legislation requires that the high bed, bunk bed must be fitted with the high bed, hand bed / platform on the upper bunk.

MAINTENANCE: Check regularly that all assembly fastenings are properly tightened. Washdown of the room as necessary in order to prevent bedbug infestations.

CLEANING: Washdown and cleaned as well as laminated surfaces should be wiped over with a cloth and a mild soap. Avoid solvents.

Important information - please read before leaving the assembly site: Must be assembled by a qualified person. Current legislation requires that the high bed, bunk bed must be fitted with the high bed, hand bed / platform on the upper bunk.

MAINTENANCE: Check regularly that all assembly fastenings are properly tightened. Washdown of the room as necessary in order to prevent bedbug infestations.

CLEANING: Washdown and cleaned as well as laminated surfaces should be wiped over with a cloth and a mild soap. Avoid solvents.

Important information - please read before leaving the assembly site: Must be assembled by a qualified person. Current legislation requires that the high bed, bunk bed must be fitted with the high bed, hand bed / platform on the upper bunk.

MAINTENANCE: Check regularly that all assembly fastenings are properly tightened. Washdown of the room as necessary in order to prevent bedbug infestations.

CLEANING: Washdown and cleaned as well as laminated surfaces should be wiped over with a cloth and a mild soap. Avoid solvents.

Important information - please read before leaving the assembly site: Must be assembled by a qualified person. Current legislation requires that the high bed, bunk bed must be fitted with the high bed, hand bed / platform on the upper bunk.

MAINTENANCE: Check regularly that all assembly fastenings are properly tightened. Washdown of the room as necessary in order to prevent bedbug infestations.

CLEANING: Washdown and cleaned as well as laminated surfaces should be wiped over with a cloth and a mild soap. Avoid solvents.

Important information - please read before leaving the assembly site: Must be assembled by a qualified person. Current legislation requires that the high bed, bunk bed must be fitted with the high bed, hand bed / platform on the upper bunk.

MAINTENANCE: Check regularly that all assembly fastenings are properly tightened. Washdown of the room as necessary in order to prevent bedbug infestations.

CLEANING: Washdown and cleaned as well as laminated surfaces should be wiped over with a cloth and a mild soap. Avoid solvents.

Important information - please read before leaving the assembly site: Must be assembled by a qualified person. Current legislation requires that the high bed, bunk bed must be fitted with the high bed, hand bed / platform on the upper bunk.

MAINTENANCE: Check regularly that all assembly fastenings are properly tightened. Washdown of the room as necessary in order to prevent bedbug infestations.

CLEANING: Washdown and cleaned as well as laminated surfaces should be wiped over with a cloth and a mild soap. Avoid solvents.

Important information - please read before leaving the assembly site: Must be assembled by a qualified person. Current legislation requires that the high bed, bunk bed must be fitted with the high bed, hand bed / platform on the upper bunk.

MAINTENANCE: Check regularly that all assembly fastenings are properly tightened. Washdown of the room as necessary in order to prevent bedbug infestations.

CLEANING: Washdown and cleaned as well as laminated surfaces should be wiped over with a cloth and a mild soap. Avoid solvents.

Important information - please read before leaving the assembly site: Must be assembled by a qualified person. Current legislation requires that the high bed, bunk bed must be fitted with the high bed, hand bed / platform on the upper bunk.

MAINTENANCE: Check regularly that all assembly fastenings are properly tightened. Washdown of the room as necessary in order to prevent bedbug infestations.

CLEANING: Washdown and cleaned as well as laminated surfaces should be wiped over with a cloth and a mild soap. Avoid solvents.

Important information - please read before leaving the assembly site: Must be assembled by a qualified person. Current legislation requires that the high bed, bunk bed must be fitted with the high bed, hand bed / platform on the upper bunk.

MAINTENANCE: Check regularly that all assembly fastenings are properly tightened. Washdown of the room as necessary in order to prevent bedbug infestations.

CLEANING: Washdown and cleaned as well as laminated surfaces should be wiped over with a cloth and a mild soap. Avoid solvents.

Important information - please read before leaving the assembly site: Must be assembled by a qualified person. Current legislation requires that the high bed, bunk bed must be fitted with the high bed, hand bed / platform on the upper bunk.

MAINTENANCE: Check regularly that all assembly fastenings are properly tightened. Washdown of the room as necessary in order to prevent bedbug infestations.

CLEANING: Washdown and cleaned as well as laminated surfaces should be wiped over with a cloth and a mild soap. Avoid solvents.

Important information - please read before leaving the assembly site: Must be assembled by a qualified person. Current legislation requires that the high bed, bunk bed must be fitted with the high bed, hand bed / platform on the upper bunk.

MAINTENANCE: Check regularly that all assembly fastenings are properly tightened. Washdown of the room as necessary in order to prevent bedbug infestations.

CLEANING: Washdown and cleaned as well as laminated surfaces should be wiped over with a cloth and a mild soap. Avoid solvents.

Important information - please read before leaving the assembly site: Must be assembled by a qualified person. Current legislation requires that the high bed, bunk bed must be fitted with the high bed, hand bed / platform on the upper bunk.

MAINTENANCE: Check regularly that all assembly fastenings are properly tightened. Washdown of the room as necessary in order to prevent bedbug infestations.

CLEANING: Washdown and cleaned as well as laminated surfaces should be wiped over with a cloth and a mild soap. Avoid solvents.

Important information - please read before leaving the assembly site: Must be assembled by a qualified person. Current legislation requires that the high bed, bunk bed must be fitted with the high bed, hand bed / platform on the upper bunk.

MAINTENANCE: Check regularly that all assembly fastenings are properly tightened. Washdown of the room as necessary in order to prevent bedbug infestations.

CLEANING: Washdown and cleaned as well as laminated surfaces should be wiped over with a cloth and a mild soap. Avoid solvents.

Important information - please read before leaving the assembly site: Must be assembled by a qualified person. Current legislation requires that the high bed, bunk bed must be fitted with the high bed, hand bed / platform on the upper bunk.

MAINTENANCE: Check regularly that all assembly fastenings are properly tightened. Washdown of the room as necessary in order to prevent bedbug infestations.

CLEANING: Washdown and cleaned as well as laminated surfaces should be wiped over with a cloth and a mild soap. Avoid solvents.

Important information - please read before leaving the assembly site: Must be assembled by a qualified person. Current legislation requires that the high bed, bunk bed must be fitted with the high bed, hand bed / platform on the upper bunk.

MAINTENANCE: Check regularly that all assembly fastenings are properly tightened. Washdown of the room as necessary in order to prevent bedbug infestations.

DE: Wichtigste - sorgfältig lesen - für spätere referenzen aufbewahren. Bitte lesen Sie die Anweisungen. Aufpassen auf die Anweisungen. Die Anweisungen sind in mehreren Sprachen verfügbar. Die Anweisungen sind in mehreren Sprachen verfügbar. Die Anweisungen sind in mehreren Sprachen verfügbar.

FR: Important - lire attentivement à l'avance pour toute consultation ultérieure. Veuillez lire attentivement les instructions. La lecture des instructions est obligatoire. Les instructions sont disponibles dans plusieurs langues.

ES: Importante: leer detenidamente el manual antes de comenzar a montar. Lea detenidamente las instrucciones. La lectura de las instrucciones es obligatoria. Las instrucciones están disponibles en varios idiomas.

EN: Important - read carefully before starting assembly. Please read the instructions. The instructions are available in several languages. The instructions are available in several languages. The instructions are available in several languages.

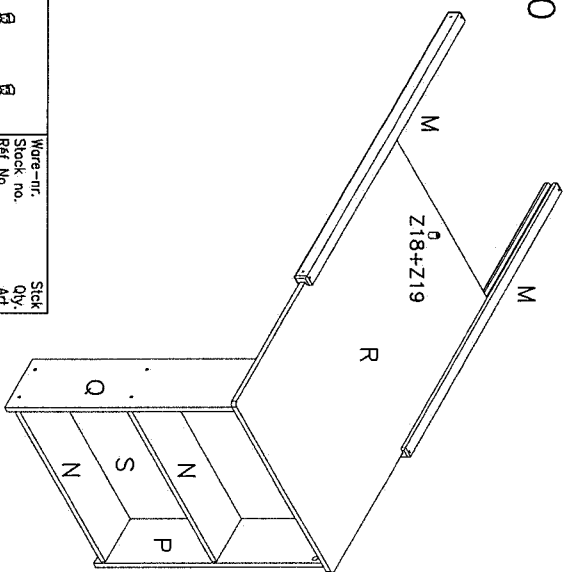
ES: Vazão - pažljivo pročitajte - sačuvajte za buduću referencu. Pročitajte pažljivo upute za montažu. Pročitajte pažljivo upute za montažu. Pročitajte pažljivo upute za montažu.

HR: Važno - pažljivo pročitajte - spremite za buduću referencu. Pročitajte pažljivo upute za montažu. Pročitajte pažljivo upute za montažu. Pročitajte pažljivo upute za montažu.

EN: Important - read carefully before starting assembly. Please read the instructions. The instructions are available in several languages. The instructions are available in several languages. The instructions are available in several languages.







Before assembling this furniture, please ensure that all the screws are applied correctly with the help of this page. All Screw-type fittings can be tightened with these tools.

Avant de commencer l'assemblage, veuillez vous assurer que toutes les vis sont appliquées correctement. Tous les articles de type vis peuvent être serrés avec ces outils.

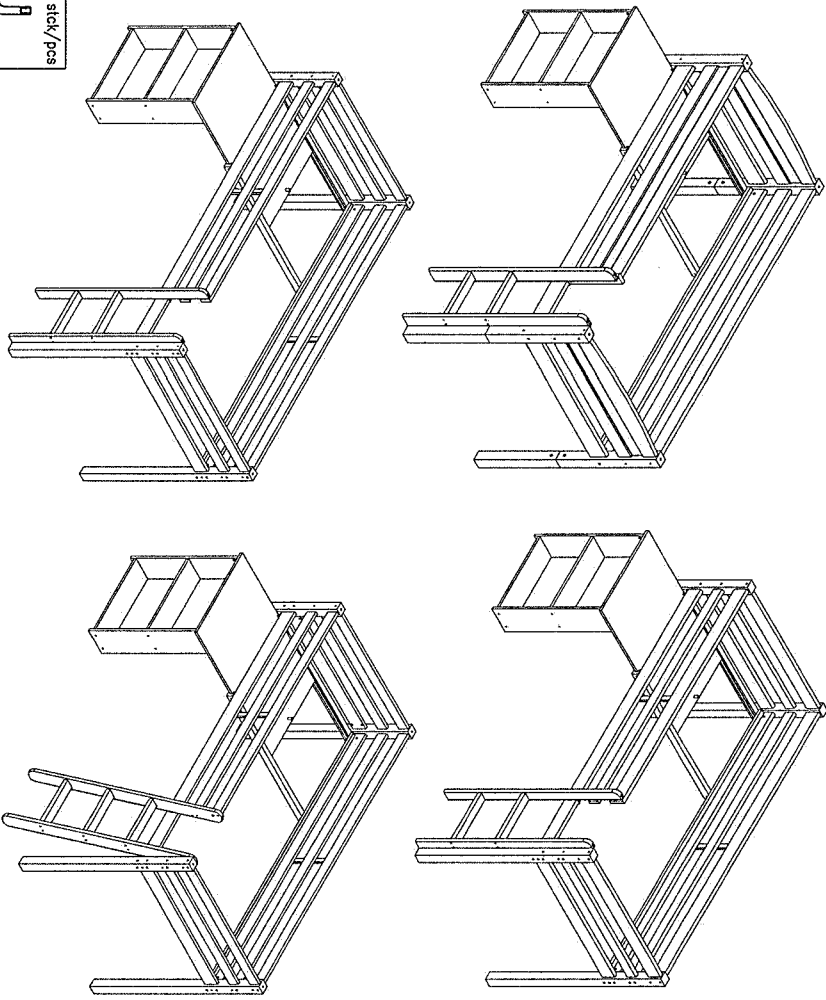
Bevor Sie mit dem Aufbau beginnen, kontrollieren Sie bitte, ob alle Schrauben ordnungsgemäß angebracht sind. Alle Schrauben können mit den beigefügten Innensechskantschlüsseln.

Bitte Bild-nr. / See picture nr. / Image no.

Stück QTY. / Qty. / Dim.

|                |            |            |                |   |            |                |           |            |                |   |            |
|----------------|------------|------------|----------------|---|------------|----------------|-----------|------------|----------------|---|------------|
| 12-03209422-40 | 2          | stick/pcs. | 15-01505341-40 | 2 | stick/pcs. | 12-01905101    | 1         | stick/pcs. | 12-01905101-40 | 1 | stick/pcs. |
| M              | 942x40x32  | N          | 534x152x15     | O | 510x28x19  | T              | 510x28x19 | S          | 690x546x2.7    |   |            |
| 15-01507091-40 | 1          | stick/pcs. | 15-01507093-40 | 1 | stick/pcs. | 15-01509592-40 | 1         | stick/pcs. | 4309-030690    | 1 | stick/pcs. |
| P              | 709x170x15 | Q          | 709x170x15     | R | 959x600x15 |                |           |            |                |   |            |

|            |            |            |             |     |            |            |          |            |            |     |            |
|------------|------------|------------|-------------|-----|------------|------------|----------|------------|------------|-----|------------|
| 3901-45060 | 4          | stick/pcs. | 3901-40040  | 8   | stick/pcs. | 3902-40015 | 4        | stick/pcs. |            |     |            |
| Z13        | 4.5x60 mm. | Z14        | 4x40 mm.    | Z15 | 4x15 mm.   |            |          |            |            |     |            |
| 3908-70040 | 8          | stick/pcs. | 4022-006    | 25  | stick/pcs. | 3930-05030 | 4        | stick/pcs. |            |     |            |
| Z16        | 7x40 mm.   | Z5         | 20 mm.      | Z3  | 5x30 mm.   |            |          |            |            |     |            |
| 4003-002   | 2          | stick/pcs. | 3940-000241 | 1   | stick/pcs. | 4020-005   | 6        | stick/pcs. | 3933-15010 | 6   | stick/pcs. |
| Z17        | 26 H:29    | Z18        | 15x24 mm.   | Z19 | 4x40 mm.   | Z1         | 5x34 mm. | Z2         | 5x9.5 mm.  | Z20 | 4 mm.      |



(GB): MAINTENANCE INSTRUCTIONS:

Screws and bolts should from time to time be retightened.

CLEANING: WOODEN, lacquered and painted as well as laminated surfaces should be wiped over with a cloth and a mild soap. Do not use abrasive cleaners or scouring pads. To maintain the natural luster of the furniture which is provided by the oil treatment, we recommend an oil aftercare of the furniture 1-2 times a year. The colourless natural oil for maintenance of oil-treated furniture is available at your local furniture store.

(D): PFLEGEHINWEIS:

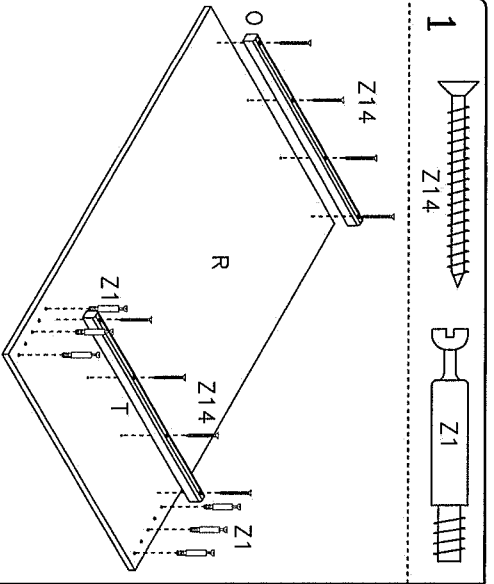
Schrauben und Bolzen sollten regelmäßig nachgezogen werden.

REINIGUNG: Lackierte Holzoberflächen können mit einem sauberen Lappen und mildes Seifenwasser gereinigt werden. Verwenden Sie keine Scheuermittel oder Schleifmittel. Um den natürlichen Glanz der Möbel zu erhalten, empfehlen wir eine jährliche Nachbehandlung der Möbel. Das farblose Öl für die Nachbehandlung der Möbel kann in Ihrem Möbelgeschäft gekauft werden.

(F): CONSEILS D'ENTRETIEN:

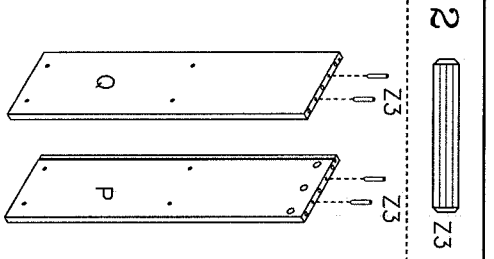
Votre lit doit être vérifié périodiquement afin de resserrer les vis.

NETTOYAGE: Les surfaces bois, laquées, peintes et laminées peuvent être essuyées avec un chiffon et un savon doux. N'utilisez pas de produits abrasifs ou de produits à base de solvant. Pour maintenir l'aspect naturel du bois, nous vous recommandons de traiter avec une huile d'entretien 1-2 fois par an. L'huile naturelle sans colorant peut être achetée dans votre magasin de meubles.

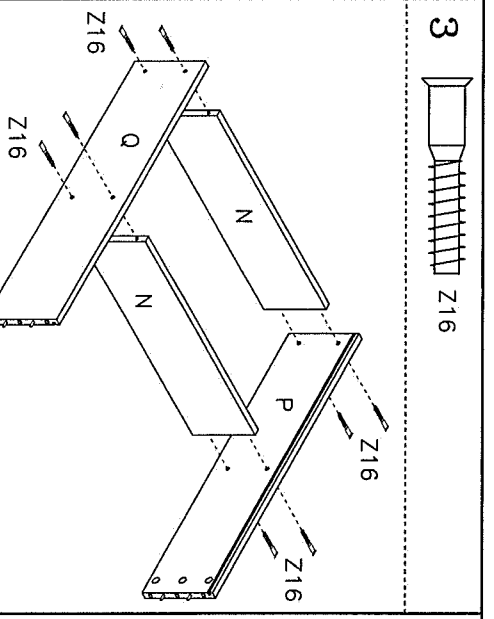


1 Z14

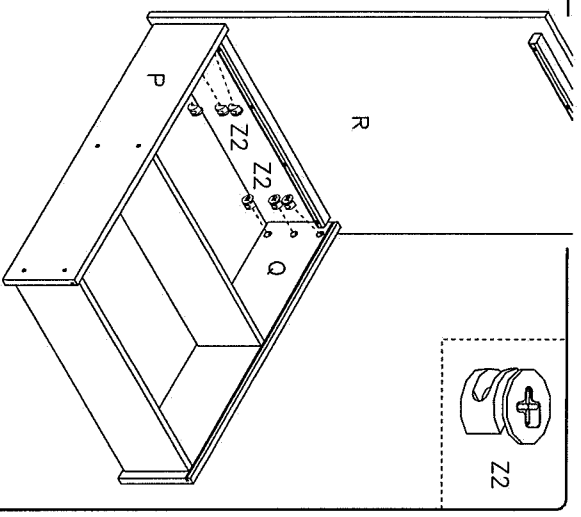
Z1



2 Z3

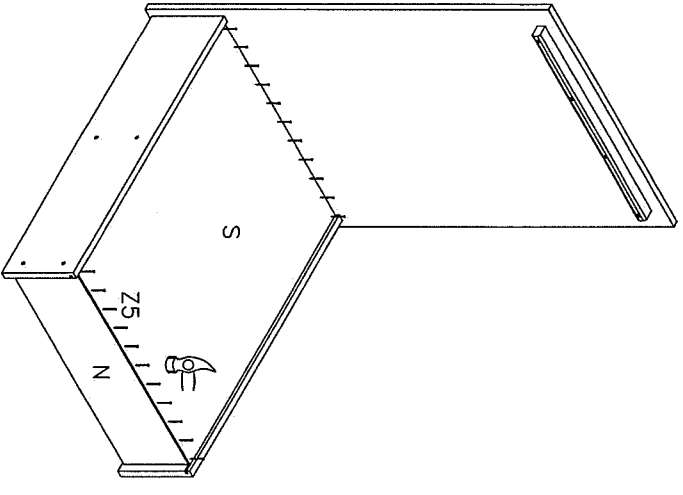


3 Z16

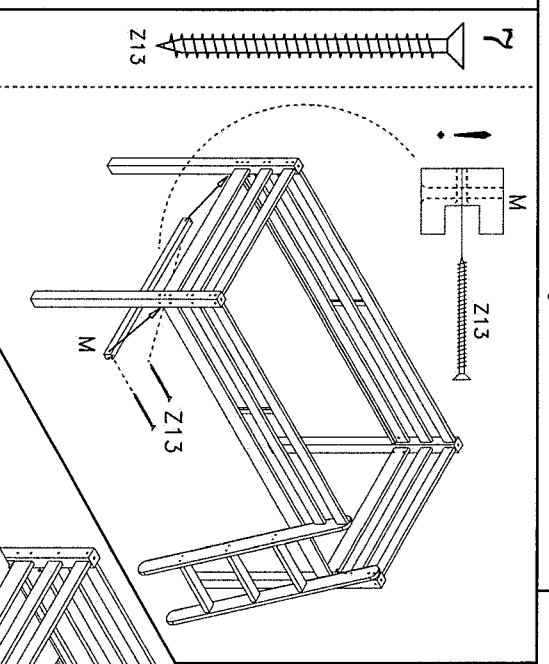
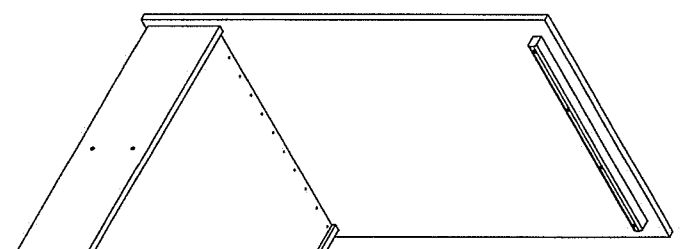


Z2

5 Z5



6 Z15



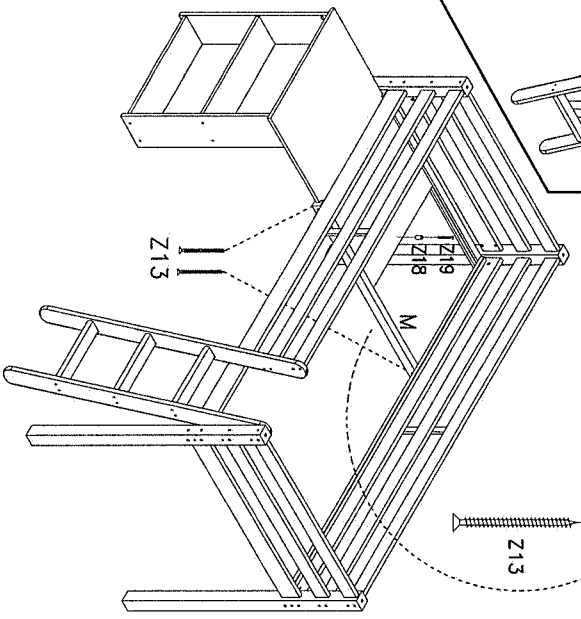
M

Z13

Z13

Z19

Z18



8 Z19

M

Z18

Z13