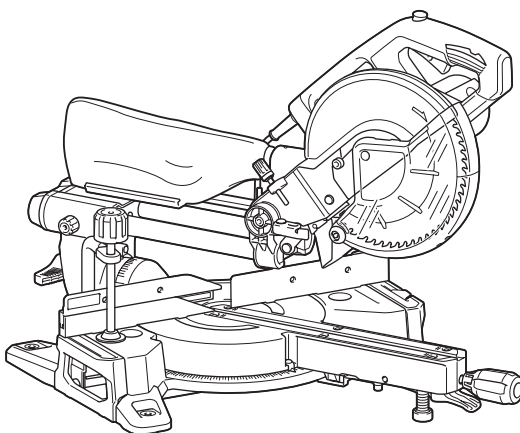




<b>EN</b>	Slide Compound Miter Saw	<b>INSTRUCTION MANUAL</b>	<b>13</b>
<b>FR</b>	Scie à Onglet Radiale	<b>MANUEL D'INSTRUCTIONS</b>	<b>27</b>
<b>DE</b>	Kapp- und Gehrungssäge	<b>BETRIEBSANLEITUNG</b>	<b>43</b>
<b>IT</b>	Troncatrice composita a slitta	<b>ISTRUZIONI PER L'USO</b>	<b>60</b>
<b>NL</b>	Schuifbare afkortverstekzaag	<b>GEBRUIKSAANWIJZING</b>	<b>77</b>
<b>ES</b>	Sierra de Inglete Telescópica	<b>MANUAL DE INSTRUCCIONES</b>	<b>93</b>
<b>PT</b>	Serra de Esquadria c/ Braço Telescópico	<b>MANUAL DE INSTRUÇÕES</b>	<b>109</b>
<b>EL</b>	Ολισθαίνον πριόνι σύνθετης λοξότμησης	<b>ΕΓΧΕΙΡΙΔΙΟ ΟΔΗΓΙΩΝ</b>	<b>125</b>
<b>TR</b>	Kızaklı Birleşik Gönyeburun Testere	<b>KULLANMA KILAVUZU</b>	<b>142</b>

# LS0816F



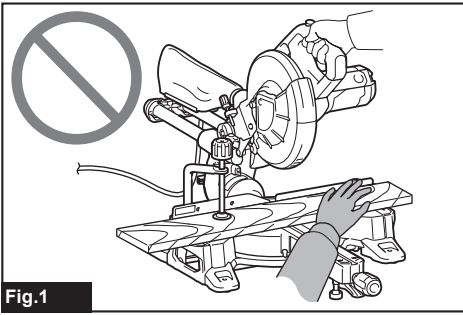


Fig.1

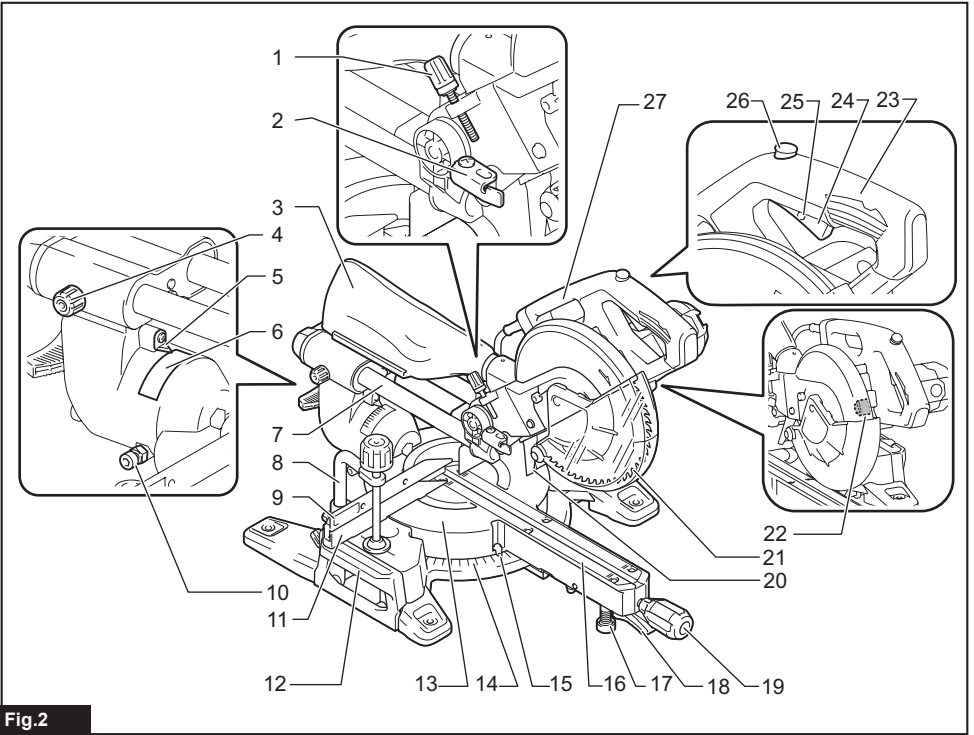
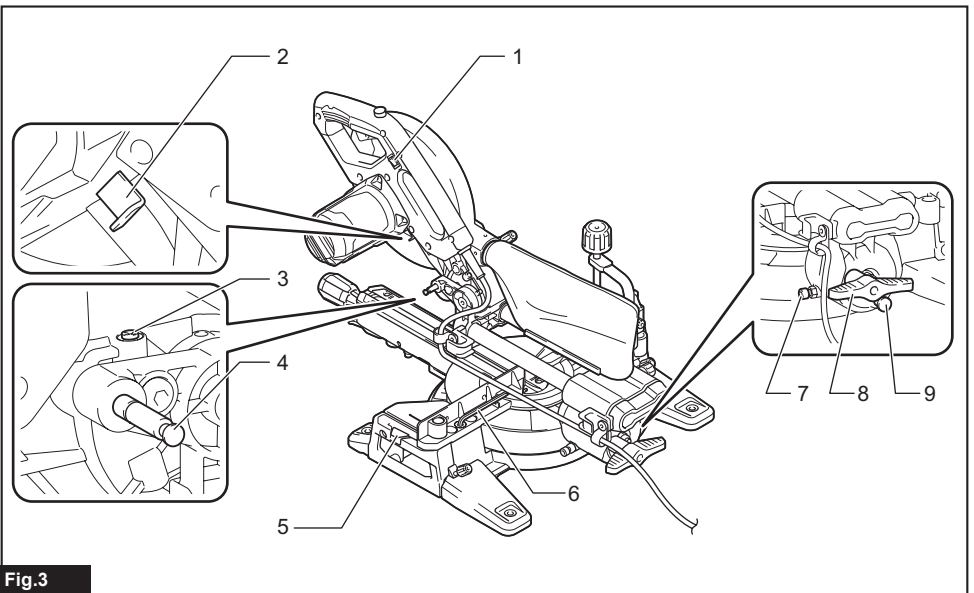
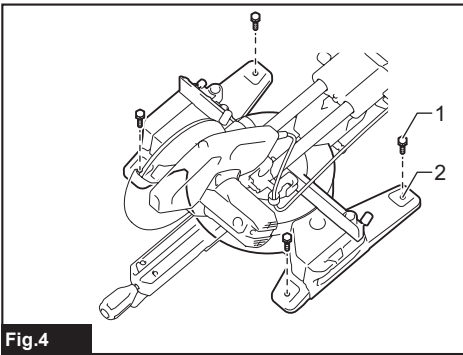


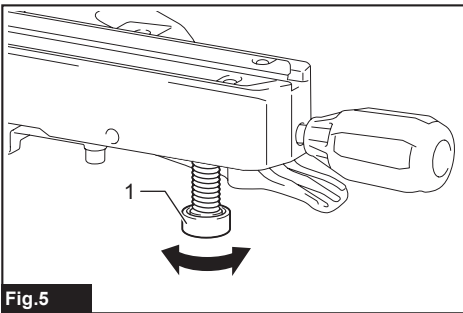
Fig.2



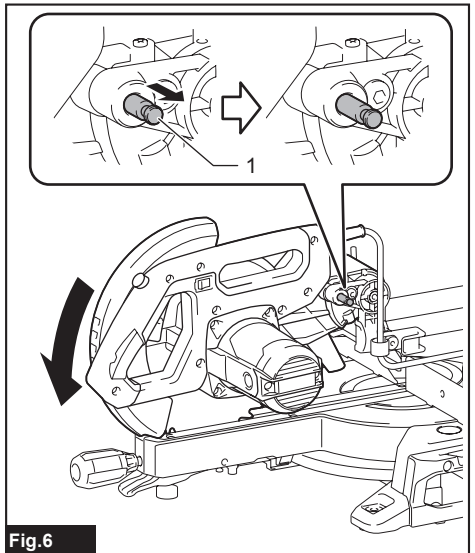
**Fig. 3**



**Fig. 4**



**Fig. 5**



**Fig. 6**

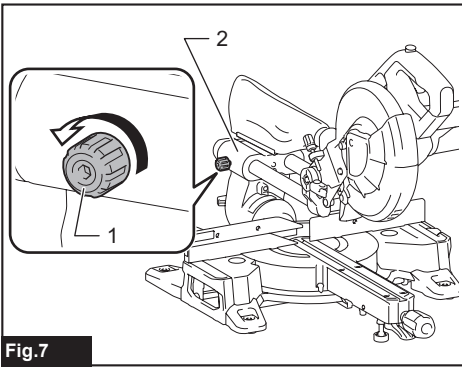


Fig.7

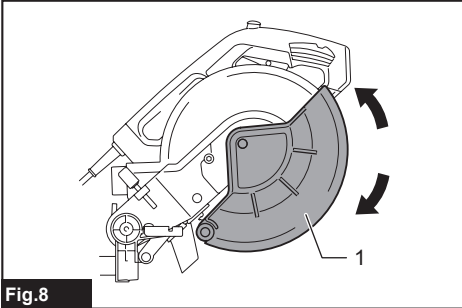


Fig.8

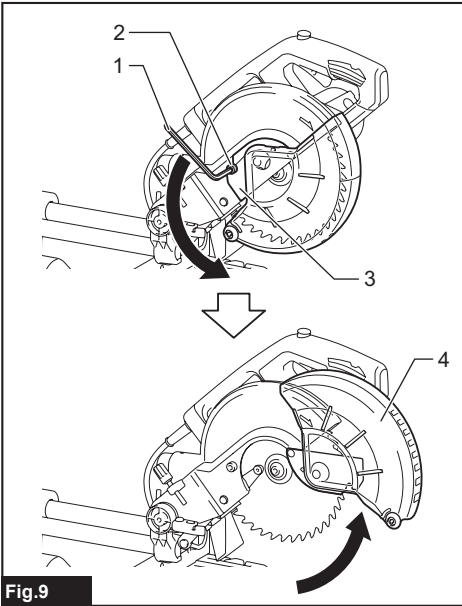


Fig.9

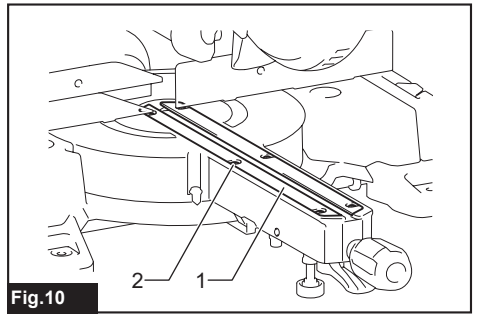


Fig.10

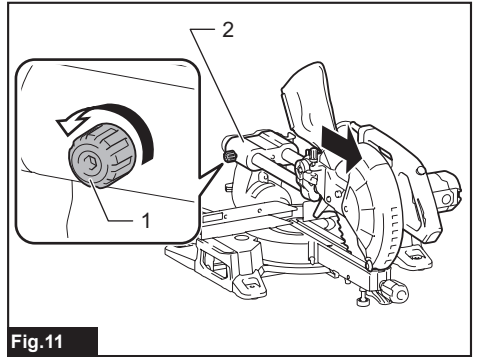


Fig.11

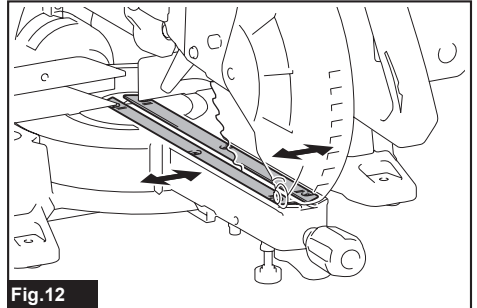


Fig.12

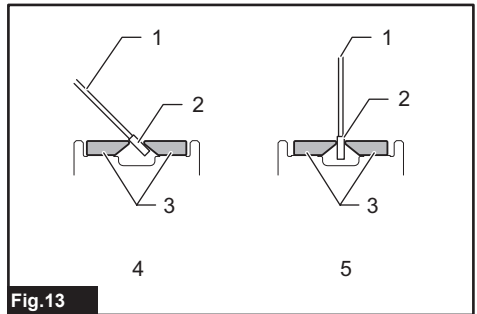


Fig.13

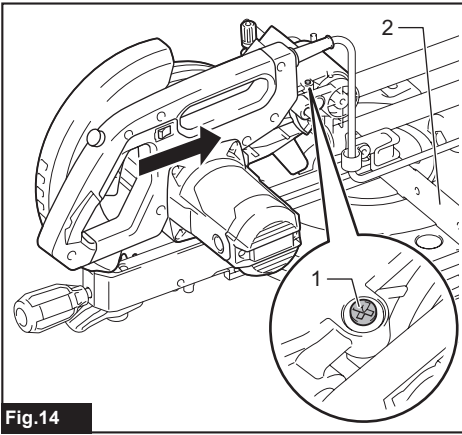


Fig. 14

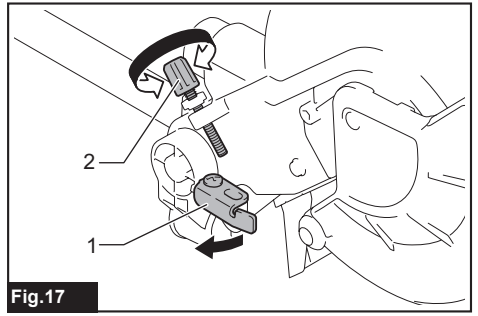


Fig. 17

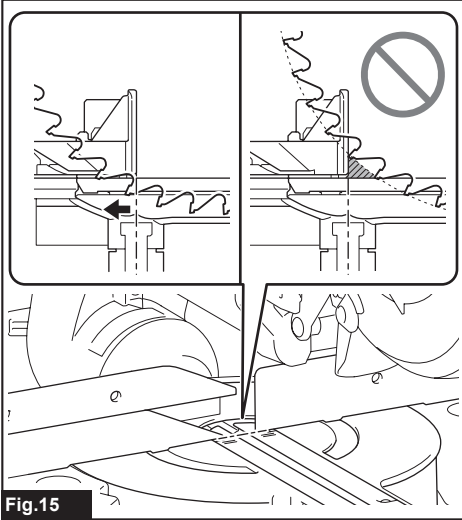


Fig. 15

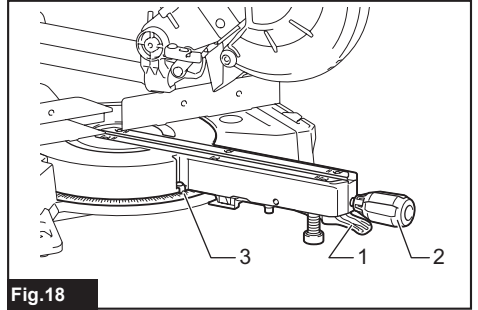


Fig. 18



Fig. 16

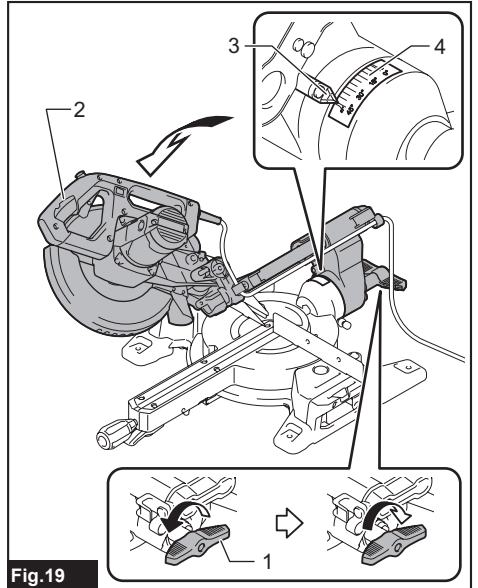


Fig. 19

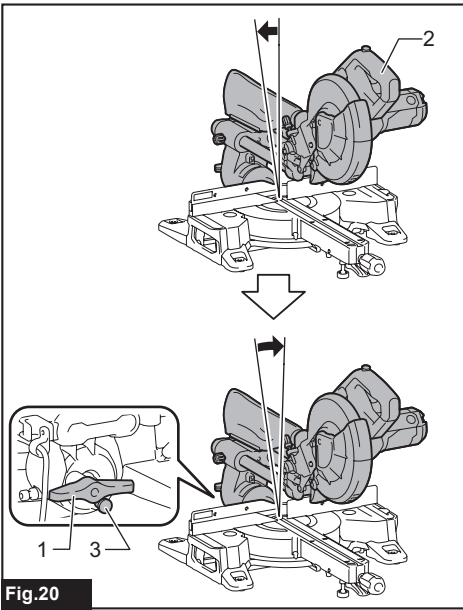


Fig.20

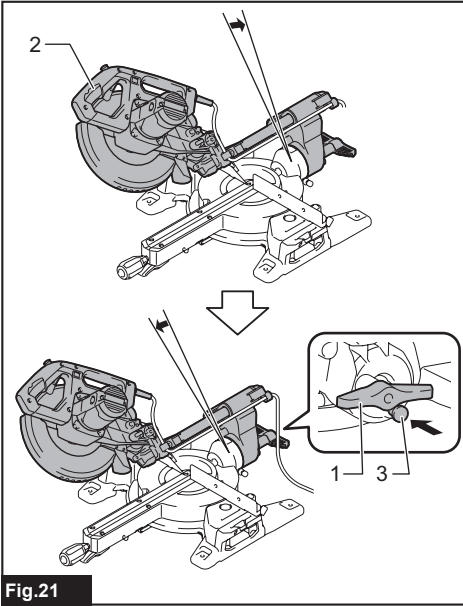


Fig.21

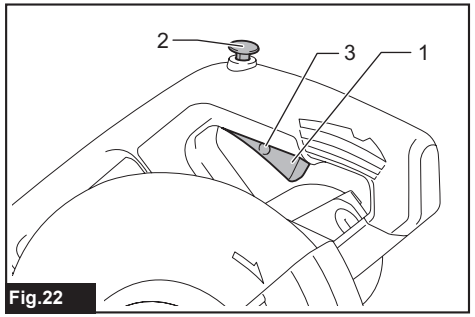


Fig.22

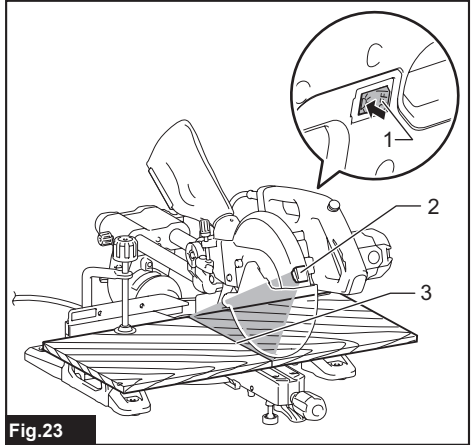


Fig.23

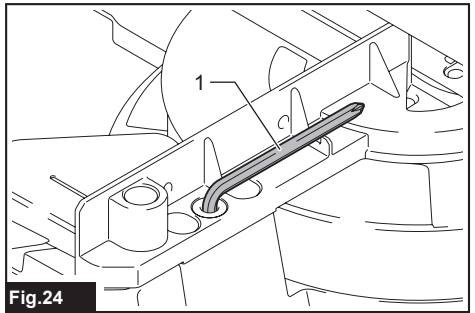


Fig.24

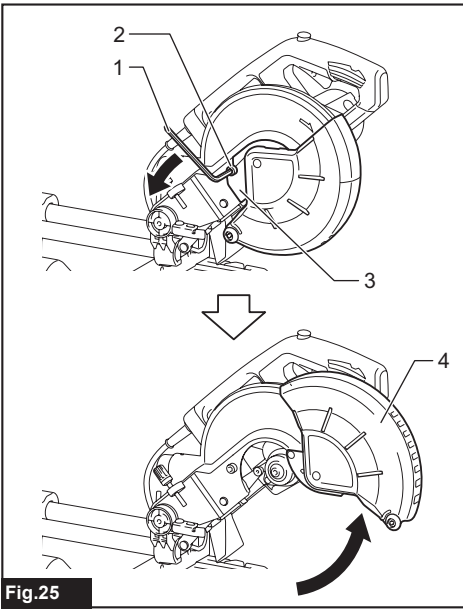


Fig. 25

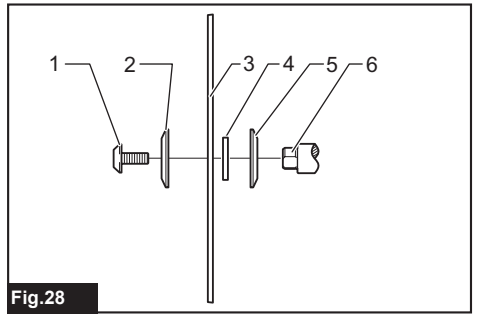


Fig. 28

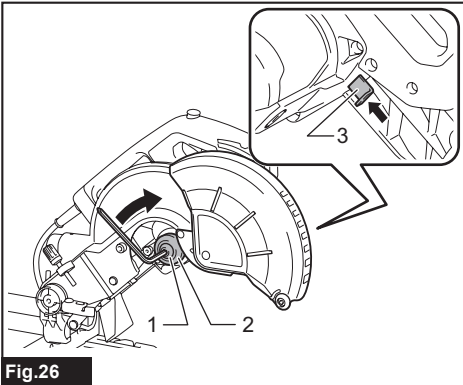


Fig. 26

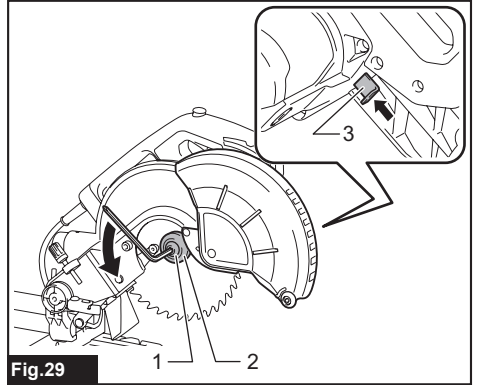


Fig. 29

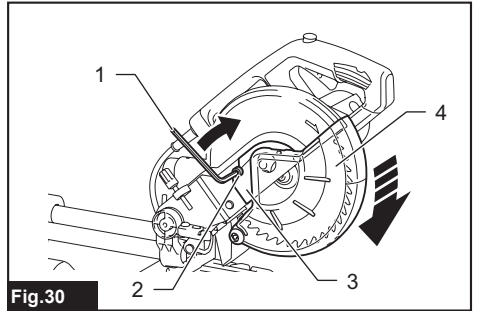


Fig. 30

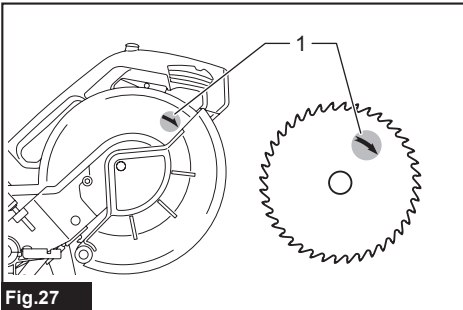


Fig. 27

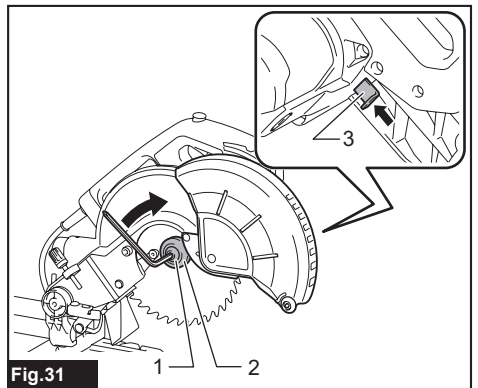


Fig. 31

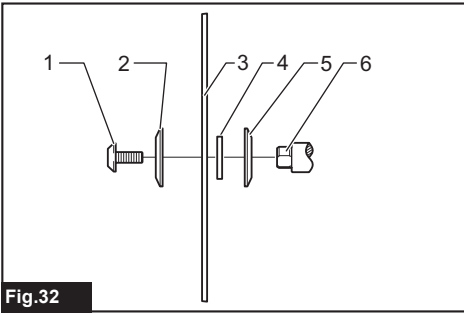


Fig.32

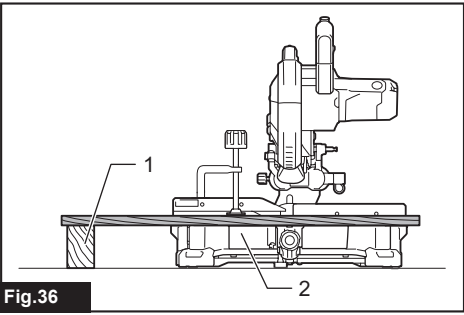


Fig.36

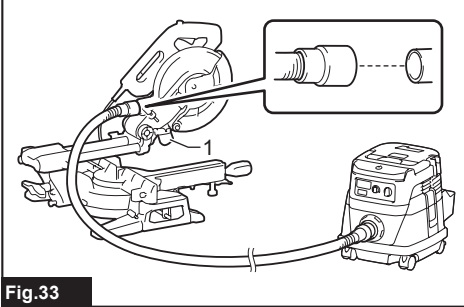


Fig.33

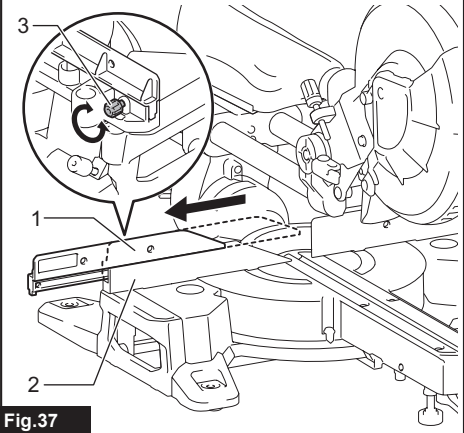


Fig.37

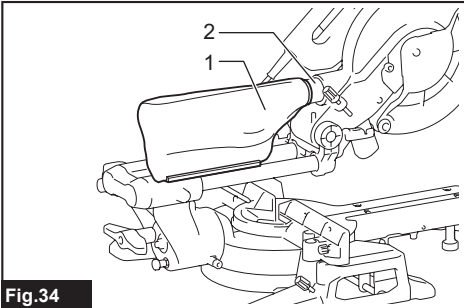


Fig.34

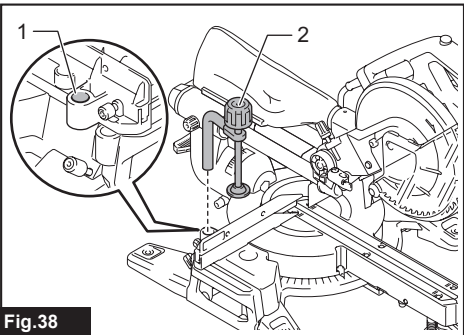


Fig.38

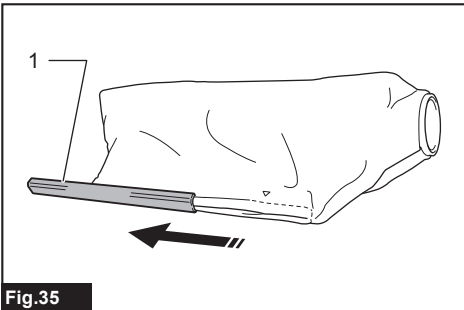


Fig.35

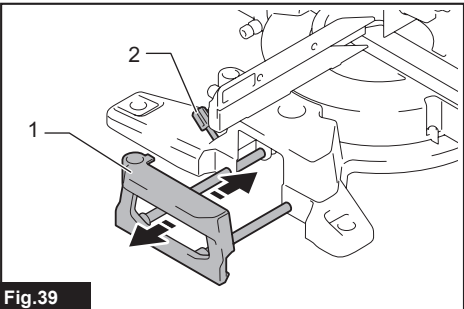


Fig.39



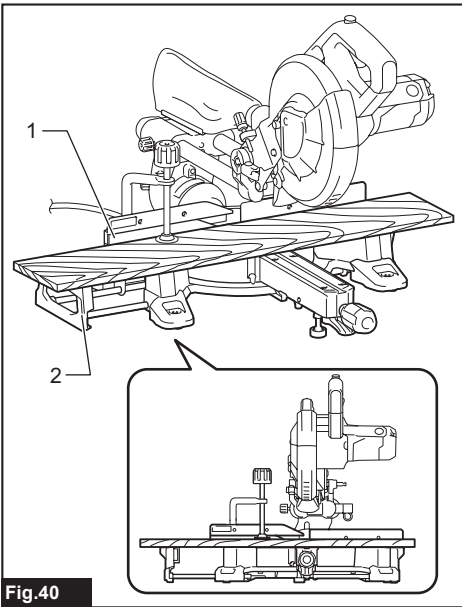


Fig.40

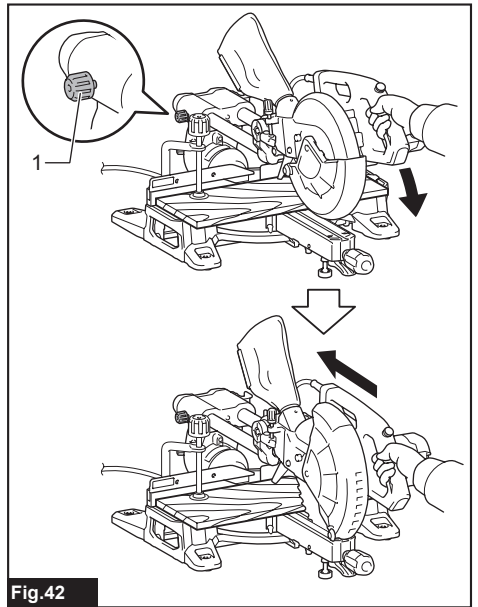


Fig.42

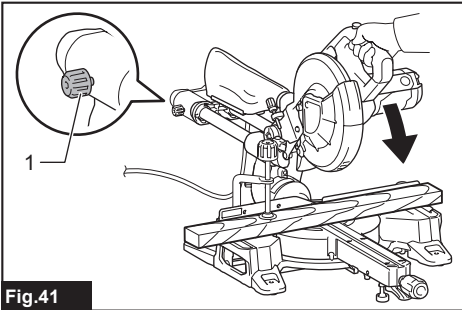


Fig.41

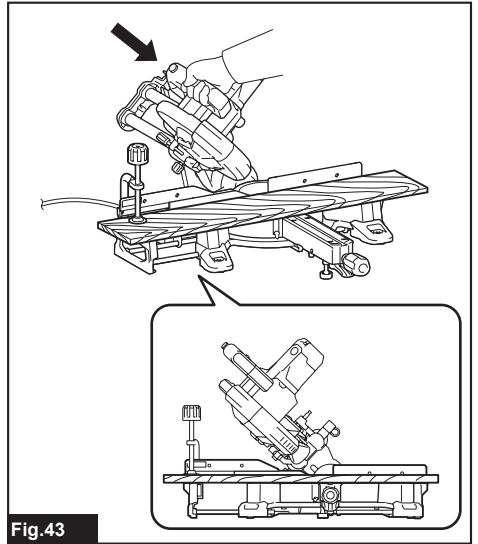
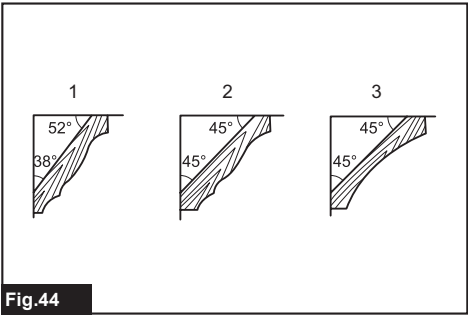
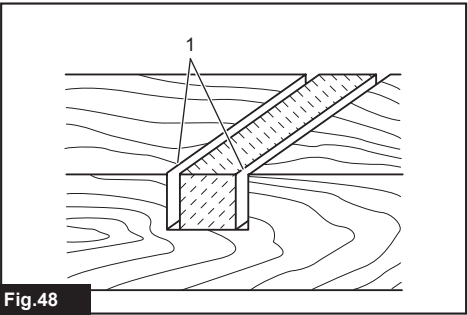


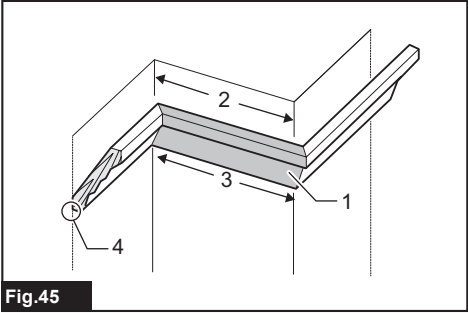
Fig.43



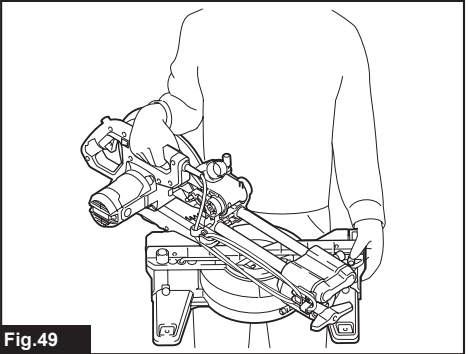
**Fig.44**



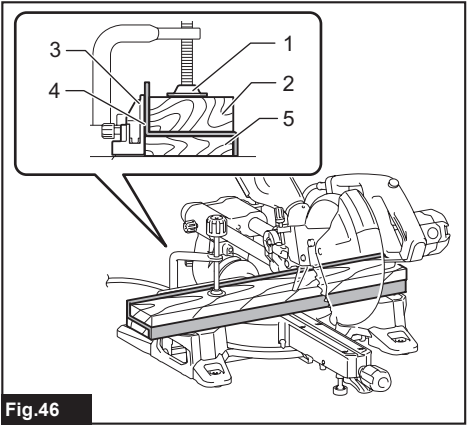
**Fig.48**



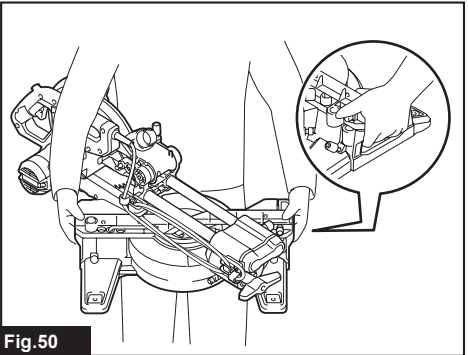
**Fig.45**



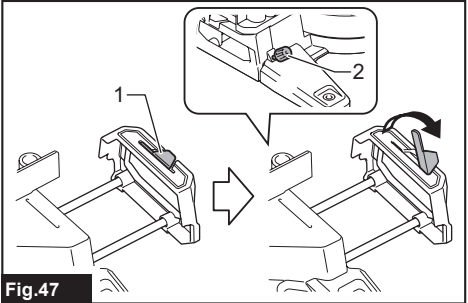
**Fig.49**



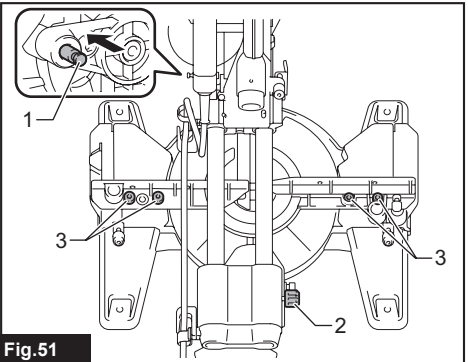
**Fig.46**



**Fig.50**



**Fig.47**



**Fig.51**

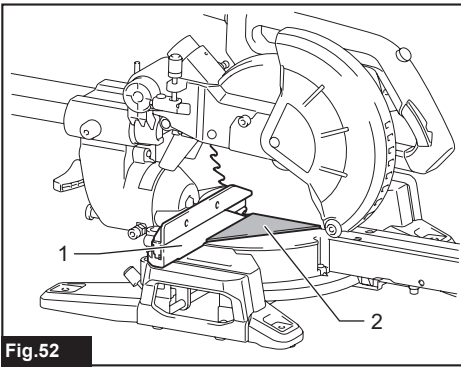


Fig. 52

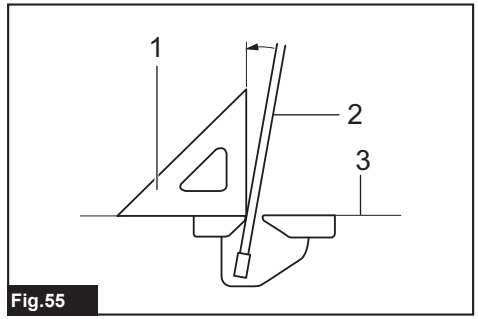


Fig. 55

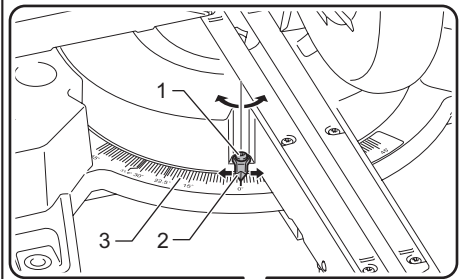


Fig. 53

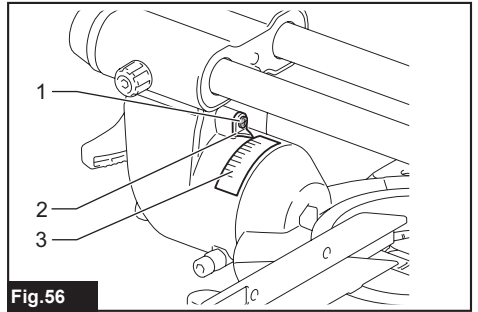


Fig. 56

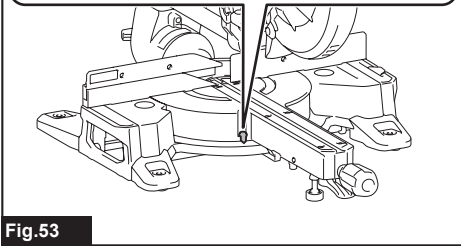


Fig. 54

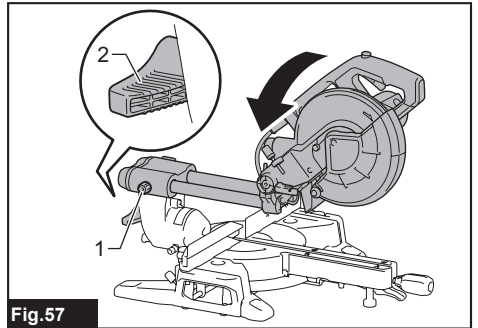


Fig. 57

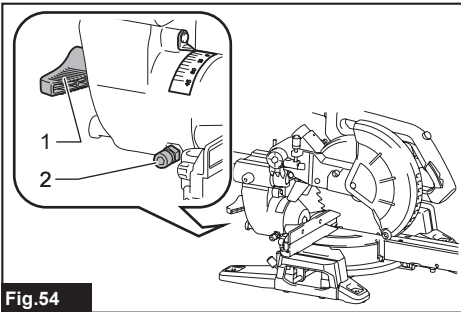
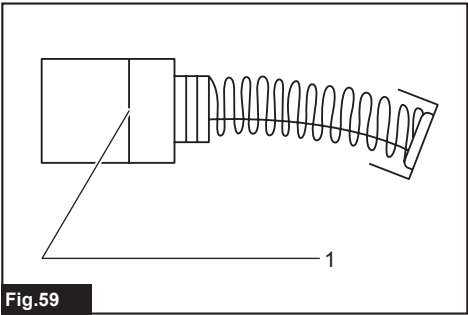
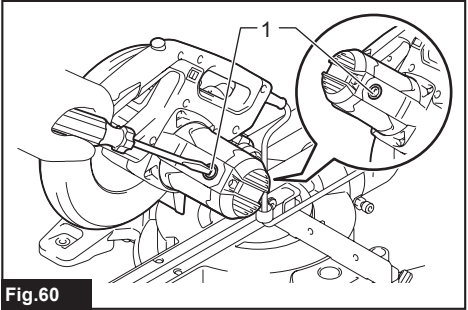


Fig. 58



**Fig.59**



**Fig.60**

# SPECIFICATIONS

<b>Model:</b>		<b>LS0816F</b>
Blade diameter		216 mm
Hole diameter	European countries	30 mm
	Countries other than Europe	25,4 mm or 30 mm (country specific)
Max. kerf thickness of the saw blade		2,8 mm
Max. miter angle		Left 47°, Right 47°
Max. bevel angle		Left 47°, Right 2°
No load speed (RPM)		5,000 min <sup>-1</sup>
Dimensions (L x W x H)		476 mm x 705 mm x 521 mm
Net weight		13,9 kg
Safety class		□/II









- Due to our continuing program of research and development, the specifications herein are subject to change without notice.
- Specifications may differ from country to country.
- Weight according to EPTA-Procedure 01/2014

## Cutting capacities (H x W) with ø 216 mm saw blade

Miter angle	Bevel angle		
	45° (left)	0°	2° (right)
0°	36 mm x 305 mm	65 mm x 305 mm	60 mm x 305 mm
45° (left and right)	36 mm x 215 mm	65 mm x 215 mm	-

## Symbols

The followings show the symbols which may be used for the equipment. Be sure that you understand their meaning before use.

	Read instruction manual.
	DOUBLE INSULATION
	Wear safety glasses.
	To avoid injury from flying debris, keep holding the saw head down, after making cuts, until the saw blade has come to a complete stop.
	When performing slide cut, first pull carriage fully and press down handle, then push carriage toward the guide fence.
	Do not place hand or fingers close to the saw blade.
	Adjust sliding fences clear of saw blade and blade guard properly.
	Do not stare at operating lamp.



Only for EU countries  
Due to the presence of hazardous components in the equipment, used electrical and electronic equipment may have a negative impact on the environment and human health. Do not dispose of electrical and electronic appliances with household waste!  
In accordance with the European Directive on waste electrical and electronic equipment and its adaptation to national law, used electrical and electronic equipment should be collected separately and delivered to a separate collection point for municipal waste, operating in accordance with the environmental protection regulations.  
This is indicated by the symbol of the crossed-out wheeled bin placed on the equipment.

## Intended use

The tool is intended for accurate straight and miter cutting in wood. With appropriate saw blades, aluminum can also be sawed. For details, according to the section for OPERATION.

## Power supply

The tool should be connected only to a power supply of the same voltage as indicated on the nameplate, and can only be operated on single-phase AC supply. They are double-insulated and can, therefore, also be used from sockets without earth wire.

## Noise

The typical A-weighted noise level determined according to EN62841-3-9:

Sound pressure level ( $L_{pA}$ ): 91 dB (A)

Sound power level ( $L_{WA}$ ): 102 dB (A)

Uncertainty (K): 3 dB (A)

**NOTE:** The declared noise emission value(s) has been measured in accordance with a standard test method and may be used for comparing one tool with another.

**NOTE:** The declared noise emission value(s) may also be used in a preliminary assessment of exposure.

**⚠ WARNING:** Wear ear protection.

**⚠ WARNING:** The noise emission during actual use of the power tool can differ from the declared value(s) depending on the ways in which the tool is used especially what kind of workpiece is processed.

**⚠ WARNING:** Be sure to identify safety measures to protect the operator that are based on an estimation of exposure in the actual conditions of use (taking account of all parts of the operating cycle such as the times when the tool is switched off and when it is running idle in addition to the trigger time).

## Declarations of Conformity

### For European countries only

The Declarations of conformity are included in Annex A to this instruction manual.

## SAFETY WARNINGS

### General power tool safety warnings

**⚠ WARNING** Read all safety warnings, instructions, illustrations and specifications provided with this power tool. Failure to follow all instructions listed below may result in electric shock, fire and/or serious injury.

### Save all warnings and instructions for future reference.

The term "power tool" in the warnings refers to your mains-operated (corded) power tool or battery-operated (cordless) power tool.

#### Work area safety

1. **Keep work area clean and well lit.** Cluttered or dark areas invite accidents.
2. **Do not operate power tools in explosive atmospheres, such as in the presence of flammable liquids, gases or dust.** Power tools create sparks which may ignite the dust or fumes.
3. **Keep children and bystanders away while operating a power tool.** Distractions can cause you to lose control.

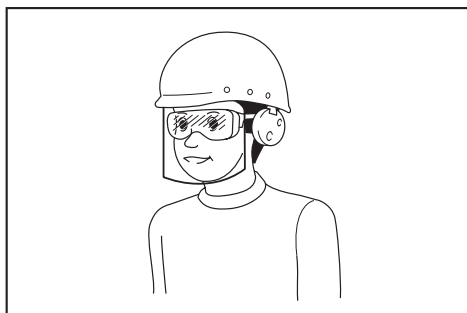
#### Electrical safety

1. **Power tool plugs must match the outlet. Never modify the plug in any way. Do not use any adapter plugs with earthed (grounded) power tools.** Unmodified plugs and matching outlets will reduce risk of electric shock.
2. **Avoid body contact with earthed or grounded surfaces, such as pipes, radiators, ranges and refrigerators.** There is an increased risk of electric shock if your body is earthed or grounded.
3. **Do not expose power tools to rain or wet conditions.** Water entering a power tool will increase the risk of electric shock.
4. **Do not abuse the cord. Never use the cord for carrying, pulling or unplugging the power tool. Keep cord away from heat, oil, sharp edges or moving parts.** Damaged or entangled cords increase the risk of electric shock.
5. **When operating a power tool outdoors, use an extension cord suitable for outdoor use.** Use of a cord suitable for outdoor use reduces the risk of electric shock.
6. **If operating a power tool in a damp location is unavoidable, use a residual current device (RCD) protected supply.** Use of an RCD reduces the risk of electric shock.
7. **Use of power supply via an RCD with a rated residual current of 30 mA or less is always recommended.**
8. **Power tools can produce electromagnetic fields (EMF) that are not harmful to the user.** However, users of pacemakers and other similar medical devices should contact the maker of their device and/or doctor for advice before operating this power tool.
9. **Do not touch the power plug with wet hands.**
10. **If the cord is damaged, have it replaced by the manufacturer or his agent in order to avoid a safety hazard.**

#### Personal safety

1. **Stay alert, watch what you are doing and use common sense when operating a power tool. Do not use a power tool while you are tired or under the influence of drugs, alcohol or medication.** A moment of inattention while operating power tools may result in serious personal injury.
2. **Use personal protective equipment. Always wear eye protection.** Protective equipment such as a dust mask, non-skid safety shoes, hard hat or hearing protection used for appropriate conditions will reduce personal injuries.
3. **Prevent unintentional starting. Ensure the switch is in the off-position before connecting to power source and/or battery pack, picking up or carrying the tool.** Carrying power tools with your finger on the switch or energising power tools that have the switch on invites accidents.
4. **Remove any adjusting key or wrench before turning the power tool on.** A wrench or a key left attached to a rotating part of the power tool may result in personal injury.
5. **Do not overreach. Keep proper footing and balance at all times.** This enables better control of the power tool in unexpected situations.

6. **Dress properly. Do not wear loose clothing or jewellery. Keep your hair and clothing away from moving parts.** Loose clothes, jewellery or long hair can be caught in moving parts.
7. **If devices are provided for the connection of dust extraction and collection facilities, ensure these are connected and properly used.** Use of dust collection can reduce dust-related hazards.
8. **Do not let familiarity gained from frequent use of tools allow you to become complacent and ignore tool safety principles.** A careless action can cause severe injury within a fraction of a second.
9. **Always wear protective goggles to protect your eyes from injury when using power tools. The goggles must comply with ANSI Z87.1 in the USA, EN 166 in Europe, or AS/NZS 1336 in Australia/New Zealand. In Australia/New Zealand, it is legally required to wear a face shield to protect your face, too.**



It is an employer's responsibility to enforce the use of appropriate safety protective equipments by the tool operators and by other persons in the immediate working area.

#### Power tool use and care

1. **Do not force the power tool. Use the correct power tool for your application.** The correct power tool will do the job better and safer at the rate for which it was designed.
2. **Do not use the power tool if the switch does not turn it on and off.** Any power tool that cannot be controlled with the switch is dangerous and must be repaired.
3. **Disconnect the plug from the power source and/or remove the battery pack, if detachable, from the power tool before making any adjustments, changing accessories, or storing power tools.** Such preventive safety measures reduce the risk of starting the power tool accidentally.
4. **Store idle power tools out of the reach of children and do not allow persons unfamiliar with the power tool or these instructions to operate the power tool.** Power tools are dangerous in the hands of untrained users.
5. **Maintain power tools and accessories. Check for misalignment or binding of moving parts, breakage of parts and any other condition that may affect the power tool's operation. If damaged, have the power tool repaired before use.** Many accidents are caused by poorly maintained power tools.

#### Service

1. **Have your power tool serviced by a qualified repair person using only identical replacement parts.** This will ensure that the safety of the power tool is maintained.
2. **Follow instruction for lubricating and changing accessories.**

### Safety instructions for mitre saws

1. **Mitre saws are intended to cut wood or wood-like products, they cannot be used with abrasive cut-off wheels for cutting ferrous material such as bars, rods, studs, etc.** Abrasive dust causes moving parts such as the lower guard to jam. Sparks from abrasive cutting will burn the lower guard, the kerf insert and other plastic parts.
2. **Use clamps to support the workpiece whenever possible. If supporting the workpiece by hand, you must always keep your hand at least 100 mm from either side of the saw blade. Do not use this saw to cut pieces that are too small to be securely clamped or held by hand.** If your hand is placed too close to the saw blade, there is an increased risk of injury from blade contact.
3. **The workpiece must be stationary and clamped or held against both the fence and the table. Do not feed the workpiece into the blade or cut "freehand" in any way.** Unrestrained or moving workpieces could be thrown at high speeds, causing injury.
4. **Push the saw through the workpiece. Do not pull the saw through the workpiece. To make a cut, raise the saw head and pull it out over the workpiece without cutting, start the motor, press the saw head down and push the saw through the workpiece.** Cutting on the pull stroke is likely to cause the saw blade to climb on top of the workpiece and violently throw the blade assembly towards the operator.
5. **Never cross your hand over the intended line of cutting either in front or behind the saw blade.** Supporting the workpiece "cross handed" i.e. holding the workpiece to the right of the saw blade with your left hand or vice versa is very dangerous.

► Fig.1



6. **Do not reach behind the fence with either hand closer than 100 mm from either side of the saw blade, to remove wood scraps, or for any other reason while the blade is spinning.** The proximity of the spinning saw blade to your hand may not be obvious and you may be seriously injured.
  7. **Inspect your workpiece before cutting. If the workpiece is bowed or warped, clamp it with the outside bowed face toward the fence. Always make certain that there is no gap between the workpiece, fence and table along the line of the cut.** Bent or warped workpieces can twist or shift and may cause binding on the spinning saw blade while cutting. There should be no nails or foreign objects in the workpiece.
  8. **Do not use the saw until the table is clear of all tools, wood scraps, etc., except for the workpiece.** Small debris or loose pieces of wood or other objects that contact the revolving blade can be thrown with high speed.
  9. **Cut only one workpiece at a time.** Stacked multiple workpieces cannot be adequately clamped or braced and may bind on the blade or shift during cutting.
  10. **Ensure the mitre saw is mounted or placed on a level, firm work surface before use.** A level and firm work surface reduces the risk of the mitre saw becoming unstable.
  11. **Plan your work. Every time you change the bevel or mitre angle setting, make sure the adjustable fence is set correctly to support the workpiece and will not interfere with the blade or the guarding system.** Without turning the tool "ON" and with no workpiece on the table, move the saw blade through a complete simulated cut to assure there will be no interference or danger of cutting the fence.
  12. **Provide adequate support such as table extensions, saw horses, etc. for a workpiece that is wider or longer than the table top.** Workpieces longer or wider than the mitre saw table can tip if not securely supported. If the cut-off piece or workpiece tips, it can lift the lower guard or be thrown by the spinning blade.
  13. **Do not use another person as a substitute for a table extension or as additional support.** Unstable support for the workpiece can cause the blade to bind or the workpiece to shift during the cutting operation pulling you and the helper into the spinning blade.
  14. **The cut-off piece must not be jammed or pressed by any means against the spinning saw blade.** If confined, i.e. using length stops, the cut-off piece could get wedged against the blade and thrown violently.
  15. **Always use a clamp or a fixture designed to properly support round material such as rods or tubing.** Rods have a tendency to roll while being cut, causing the blade to "bite" and pull the work with your hand into the blade.
  16. **Let the blade reach full speed before contacting the workpiece.** This will reduce the risk of the workpiece being thrown.
  17. **If the workpiece or blade becomes jammed, turn the mitre saw off. Wait for all moving parts to stop and disconnect the plug from the power source and/or remove the battery pack. Then work to free the jammed material.** Continued sawing with a jammed workpiece could cause loss of control or damage to the mitre saw.
  18. **After finishing the cut, release the switch, hold the saw head down and wait for the blade to stop before removing the cut-off piece.** Reaching with your hand near the coasting blade is dangerous.
  19. **Only use the saw blade with the diameter that is marked on the tool or specified in the manual.** Use of an incorrectly sized saw blade may affect the proper guarding of the saw blade or guard operation which could result in serious personal injury.
  20. **Only use the saw blades that are marked with a speed equal or higher than the speed marked on the tool.**
  21. **Do not use the saw to cut materials other than specified.**
  22. **(For European countries only)**  
**Always use the blade which conforms to EN847-1, if intended for wood and analogous materials.**
- Additional instructions**
1. **Make workshop kid proof with padlocks.**
  2. **Never stand on the tool.** Serious injury could occur if the tool is tipped or if the cutting tool is unintentionally contacted.
  3. **Never leave the tool running unattended. Turn the power off. Do not leave tool until it comes to a complete stop.**
  4. **Do not operate saw without guards in place. Check blade guard for proper closing before each use. Do not operate saw if blade guard does not move freely and close instantly. Never clamp or tie the blade guard into the open position.**
  5. **Keep hands out of path of saw blade. Avoid contact with any coasting saw blade. It can still cause severe injury.**
  6. **To reduce the risk of injury, return carriage to the full rear position after each crosscut operation.**
  7. **Always secure all moving portions before carrying the tool.**
  8. **Stopper pin or stopper lever which locks the saw head down is for carrying and storage purposes only and not for any cutting operations.**
  9. **Check the saw blade carefully for cracks or damage before operation. Replace cracked or damaged saw blade immediately. Gum and wood pitch hardened on saw blades slows saw and increases potential for kickback. Keep saw blade clean by first removing it from tool, then cleaning it with gum and pitch remover, hot water or kerosene. Never use gasoline to clean saw blade.**
  10. **While making a slide cut, KICKBACK can occur. KICKBACK occurs when the saw blade binds in the workpiece during a cutting operation and the saw blade is driven rapidly towards the operator. Loss of control and serious personal injury can result. If saw blade begins to bind during a cutting operation, do not continue to cut and release switch immediately.**



11. Use only flanges specified for this tool.
12. Be careful not to damage the arbor, flanges (especially the installing surface) or bolt. Damage to these parts could result in saw blade breakage.
13. Make sure that the turn base is properly secured so it will not move during operation. Use the holes in the base to fasten the saw to a stable work platform or bench. NEVER use tool where operator positioning would be awkward.
14. Make sure the shaft lock is released before the switch is turned on.
15. Be sure that the saw blade does not contact the turn base in the lowest position.
16. Hold the handle firmly. Be aware that the saw moves up or down slightly during start-up and stopping.
17. Make sure the saw blade is not contacting the workpiece before the switch is turned on.
18. Before using the tool on an actual workpiece, let it run for a while. Watch for vibration or wobbling that could indicate poor installation or a poorly balanced saw blade.
19. Stop operation immediately if you notice anything abnormal.
20. Do not attempt to lock the trigger in the "ON" position.
21. Always use accessories recommended in this manual. Use of improper accessories such as abrasive wheels may cause an injury.
22. Some material contains chemicals which may be toxic. Take caution to prevent dust inhalation and skin contact. Follow material supplier safety data.

**Additional safety rules for operating lamp**

1. Do not look in the light or see the source of light directly.

**SAVE THESE INSTRUCTIONS.**

**⚠WARNING:** DO NOT let comfort or familiarity with product (gained from repeated use) replace strict adherence to safety rules for the subject product. MISUSE or failure to follow the safety rules stated in this instruction manual may cause serious personal injury.

## PARTS DESCRIPTION

► Fig.2

1	Adjusting screw (for lower limit position)	2	Stopper arm	3	Dust bag	4	Thumb screw (for carriage sliding)
5	Pointer (for bevel angle)	6	Bevel angle scale	7	Slide pole	8	Vertical vise
9	Sliding fence	10	0° adjusting bolt (for bevel angle)	11	Guide fence	12	Sub base
13	Turn base	14	Miter angle scale	15	Pointer (for miter angle)	16	Kerf board
17	Adjusting bolt (for turn base)	18	Lock lever (for turn base)	19	Grip (for turn base)	20	Dust collecting guard
21	Blade guard	22	Lamp	23	Handle (for operation)	24	Switch trigger
25	Hole for padlock	26	Lock-off button	27	Carry handle	-	-

► Fig.3

1	Lamp switch	2	Shaft lock	3	Adjusting bolt (for maximum cutting capacity)	4	Stopper pin (for carriage elevation)
5	Set plate	6	Hex wrench	7	45° adjusting bolt (for bevel angle)	8	Lever (for bevel angle)
9	Releasing button (for bevel angle)	-	-	-	-	-	-

## INSTALLATION

### Bench mounting

**⚠WARNING:** Ensure that the tool does not move on the supporting surface. Movement of the miter saw on the supporting surface while cutting may result in loss of control and serious personal injury.

1. Fix the base to a level and stable surface, screwing with the bolts. This helps to prevent from tipping and possible injury.

► Fig.4: 1. Bolt 2. Mounting hole

2. Turn the adjusting bolt clockwise or counterclockwise so that it comes into a contact with the floor surface to keep the tool stable.

► Fig.5: 1. Adjusting bolt

## FUNCTIONAL DESCRIPTION

**⚠ WARNING:** Always be sure that the tool is switched off and unplugged before adjusting or checking function on the tool. Failure to switch off and unplug the tool may result in serious personal injury from accidental start-up.

### Handle lock

**⚠ CAUTION:** Always hold the handle when releasing the stopper pin. Otherwise the handle springs up and it may result in personal injury.

When the tool is shipped, the handle is locked in the lowered position with the stopper pin. To unlock the handle, pull the stopper pin while lowering the handle slightly.

► **Fig.6:** 1. Stopper pin

### Slide lock

To allow the sliding movement of the carriage, loosen thumb screw on the arm. To lock the sliding movement of the carriage, move the carriage to your desired position, and then tighten the thumb screw securely.

► **Fig.7:** 1. Thumb screw 2. Arm

### Blade guard

**⚠ WARNING:** Never defeat or remove the blade guard or the spring which is attached to the guard. An exposed circular saw blade as a result of defeated guarding may result in serious personal injury during operation.

**⚠ WARNING:** Never use the tool if the blade guard or spring is damaged, faulty or removed. Operation of the tool with a damaged, faulty or removed guard may result in serious personal injury.

**⚠ CAUTION:** Always maintain the blade guard in good condition for safe operation. Stop the operation immediately if there are any irregularity of the blade guard. Check to assure spring loaded return action of guard.

When lowering the handle, the blade guard raises automatically. The guard is spring loaded so it returns to its original position when the cut is completed and the handle is raised.

► **Fig.8:** 1. Blade guard

## Cleaning

If the transparent blade guard becomes dirty, or sawdust adheres to the transparent blade guard in such a way that the circular saw blade and/or workpiece is no longer easily visible, unplug the tool and clean the guard carefully with a damp cloth. Do not use solvents or any petroleum-based cleaners on the plastic guard because this may cause damage to the guard. Follow the step-by-step instructions listed on how to prepare for cleaning.

1. Make sure that the tool is switched off and unplugged.
2. Turn the hex socket bolt counterclockwise using the supplied hex wrench with holding the center cover.
3. Raise the blade guard and center cover.
4. When cleaning is complete, return the center cover and tighten the hex socket bolt by performing the steps above in reverse.

► **Fig.9:** 1. Hex wrench 2. Hex socket bolt 3. Center cover 4. Blade guard

**⚠ WARNING:** Do not remove spring holding blade guard. If guard becomes damaged in course of time or UV light exposure, contact a Makita service center for replacement. **DO NOT DEFEAT OR REMOVE GUARD.**

## Positioning kerf boards

This tool is provided with the kerf boards in the turn base to minimize tearing on the exit side of a cut. The kerf boards are factory adjusted so that the circular saw blade does not contact the kerf boards. Before use, adjust the kerf boards as follows:

1. Make sure that the tool is unplugged. Then, loosen all the screws (three each on left and right) securing the kerf boards.
2. Re-tighten them only to the extent that the kerf boards can still be easily moved by hand.
3. Lower the handle fully, then lock the handle in the lowered position with the stopper pin.
4. Loosen thumb screw on the arm which secures the sliding movement of the carriage.

Pull the carriage toward you fully.

► **Fig.11:** 1. Thumb screw 2. Arm

5. Adjust the kerf boards so that they are close to the sides of the saw blade teeth.

► **Fig.12**

► **Fig.13:** 1. Circular saw blade 2. Blade teeth 3. Kerf board 4. Left bevel cut 5. Straight cut

6. Tighten the front screws (do not tighten firmly).
7. Slide the carriage to the position between the front end of the kerf boards and guide fences. Adjust the kerf boards so that they are close to the sides of the saw blade teeth.
8. Tighten the center screws (do not tighten firmly).
9. Push the carriage toward the guide fences fully and then adjust the kerf boards so that they are close to the sides of the saw blade teeth.

10. Tighten the rear screws (do not tighten firmly).
11. Release the stopper pin for handle lock and raise the handle. Then tighten all the screws securely.

**NOTICE:** After setting the bevel angle, ensure that the kerf boards are adjusted properly. Correct adjustment of the kerf boards helps to provide proper support of the workpiece and minimizing workpiece tear out.

## Maintaining maximum cutting capacity

This tool is factory adjusted to provide the maximum cutting capacity for a 216 mm circular saw blade. When installing a new circular saw blade, always check the lower limit position of the circular saw blade, and if necessary, adjust it as follows:

1. Unplug the tool. Then, push the carriage toward the guide fence fully and lower the handle completely.
2. Use the hex wrench (screwdriver side) to turn the adjusting bolt until the circular saw blade comes slightly below the cross section of the guide fence and the top surface of the turn base.

► **Fig.14:** 1. Adjusting bolt 2. Guide fence

► **Fig.15**

3. Rotate the circular saw blade by hand while holding the handle all the way down to be sure that the circular saw blade does not contact any part of the lower base. Re-adjust the maximum cutting capacity, if necessary.

**⚠ WARNING:** After installing a new circular saw blade and with the tool is unplugged, always be sure that the circular saw blade does not contact any part of the lower base when the handle is lowered completely. If the circular saw blade contacts with the base, it may cause kickback and result in serious personal injury.

► **Fig.16**

## Stopper arm

The lower limit position of the saw blade can be easily adjusted with the stopper arm. To adjust the lower limit, turn the stopper arm in the direction of the arrow as shown in the figure. Turn the adjusting screw so that the saw blade stops at the desired position when lowering the handle fully.

► **Fig.17:** 1. Stopper arm 2. Adjusting screw

## Adjusting the miter angle

**⚠ CAUTION:** After changing the miter angle, always secure the turn base by tightening the grip firmly.

**NOTICE:** When turning the turn base, be sure to raise the handle fully.

Rotate the grip counterclockwise to unlock the turn base. Turn the grip while holding up the lock lever to move the turn base. Align the pointer with your desired angle in the miter angle scale then tighten the grip.

► **Fig.18:** 1. Lock lever 2. Grip 3. Pointer

## Positive stop function

This miter saw employs positive stop function. You can set 0°, 15°, 22.5°, 31.6°, and 45° right/left miter angle quickly. To use this function, move the turn base close to your desired positive stop angle while holding up the lock lever. Then release the lock lever and move the turn base to your desired positive stop angle until the turn base is locked.

## Adjusting the bevel angle

**⚠ CAUTION:** After changing the bevel angle, always secure the arm by tightening the lever clockwise.

**NOTICE:** Always remove vertical vise before adjusting the bevel angle.

**NOTICE:** When tilting the circular saw blade, be sure that the carriage is fully raised.

**NOTICE:** When changing bevel angles, be sure to reposition the kerf boards appropriately as explained in the section for positioning kerf boards.

**NOTICE:** Do not tighten the lever too hard. Doing so may cause malfunction of the locking mechanism of the bevel angle.

## Tilting the circular saw blade to the left 0° - 45°

1. Rotate the lever counterclockwise.
  2. Hold the handle and tilt the carriage to the left.
  3. Align the pointer with your desired angle in the bevel angle scale.
  4. Tighten the lever clockwise to secure the arm.
- **Fig.19:** 1. Lever 2. Handle 3. Pointer 4. Bevel angle scale

## Tilting the circular saw blade beyond the left 0° - 45°

1. Rotate the lever counterclockwise.
2. Hold the handle and set the carriage at 0° for right 2° side, or 45° for left 47° side.
3. Tilt the carriage slightly to opposite side.
4. Push the releasing button.
5. Tilt the carriage to the desired position beyond the range 0° - 45°.
6. Tighten the lever clockwise to secure the arm.

**When tilting the carriage to the right 2°**

► **Fig.20:** 1. Lever 2. Handle 3. Releasing button

**When tilting the carriage to the left 47°**

► **Fig.21:** 1. Lever 2. Handle 3. Releasing button

## Switch action

**⚠ WARNING:** Before plugging in the tool, always check to see that the switch trigger actuates properly and returns to the "OFF" position when released. Do not pull the switch trigger hard without pressing in the lock-off button. This can cause switch breakage. Operating a tool with a switch that does not actuate properly can lead to loss of control and serious personal injury.

**⚠ WARNING:** NEVER use tool without a fully operative switch trigger. Any tool with an inoperative switch is HIGHLY DANGEROUS and must be repaired before further usage or serious personal injury may occur.

**⚠ WARNING:** NEVER defeat the lock-off button by taping down or some other means. A switch with a negated lock-off button may result in unintentional operation and serious personal injury.

**⚠ WARNING:** NEVER use the tool if it runs when you simply pull the switch trigger without pressing the lock-off button. A switch in need of repair may result in unintentional operation and serious personal injury. Return tool to a Makita service center for proper repairs BEFORE further usage.

To prevent the switch trigger from being accidentally pulled, a lock-off button is provided. To start the tool, press in the lock-off button and pull the switch trigger. Release the switch trigger to stop.

A hole is provided in the switch trigger for insertion of a padlock to lock the tool off.

► **Fig.22:** 1. Switch trigger 2. Lock-off button 3. Hole for padlock

**⚠ WARNING:** Do not use a lock with a shank or cable any smaller than 6.35 mm in diameter. A smaller shank or cable may not properly lock the tool in the off position and unintentional operation may occur resulting in serious personal injury.

## Casting a cutting line

**⚠ CAUTION:** The lamp is not a rainproof. Do not wash the lamp in water or use it in a rain or a wet area. Such a conduct can cause an electric shock and fume.

**⚠ CAUTION:** Do not touch the lens of the lamp as it is very hot while it is lighted or shortly after it is turned off. This may cause burns.

**⚠ CAUTION:** Do not apply impact to the lamp, which may cause damage or shortened service time to it.

**⚠ CAUTION:** Do not look in the light or see the source of light directly.

The LED lamp casts a light over the circular saw blade, and a shadow of the saw blade falls onto a workpiece serving as a calibration-free cutting line indicator. Press the lamp switch to shed a light. A line appears in which the saw blade will meet the surface of the workpiece, becoming deepened as the saw blade gets lowered.

► **Fig.23:** 1. Lamp switch 2. Lamp 3. Cutting line

The indicator helps cut through an existing cut-off line penciled on a workpiece.

1. Hold the handle and lower the circular saw blade so a dense shadow of the saw blade is thrown against a workpiece.

2. Align a cut-off line drawn on the workpiece with the shadowed cutting line.

3. Adjust the miter angles and bevel angles if necessary.

**NOTE:** Be sure to turn off the lamp switch after use. Otherwise the lamp stays hot.

## ASSEMBLY

**⚠ WARNING:** Always be sure that the tool is switched off and unplugged before working on the tool. Failure to switch off and unplug the tool may result in serious personal injury.

## Hex wrench storage

When not in use, store the hex wrench as shown in the figure to keep it from being lost.

► **Fig.24:** 1. Hex wrench

## Installing or removing circular saw blade

**⚠ WARNING:** Always be sure that the tool is switched off and unplugged before removing and installing the circular saw blade. Accidental startup of the tool may result in serious personal injury.

**⚠ WARNING:** Use only the Makita wrench provided to remove and install the circular saw blade. Failure to use the wrench may result in overtightening or insufficient tightening of the hex socket bolt and serious personal injury.

**⚠ WARNING:** Never use or substitute the parts which are not supplied with this tool. Using such parts can cause serious personal injury.

**⚠ WARNING:** After installing the circular saw blade, always make sure that it is securely installed. Loose attachment of the circular saw blade can cause serious personal injury.

## Common preparations for installing or removing the circular saw blade

1. Unlock the carriage by pulling the stopper pin, then move the carriage to the raised position.

2. Loosen the hex socket bolt holding the center cover using the hex wrench. Then, raise the blade guard and center cover.

► **Fig.25:** 1. Hex wrench 2. Hex socket bolt 3. Center cover 4. Blade guard

## Installing the circular saw blade

**CAUTION:** Make sure to install the circular saw blade so that the direction of the arrow on the circular saw blade matches that on the blade case. Failure to do so may result in personal injury and cause damage to the tool and/or the workpiece.

1. Complete the steps in the "Common preparations for installing or removing the circular saw blade".
2. Press the shaft lock to lock the spindle and use the hex wrench to loosen the hex socket bolt clockwise. Then remove the hex socket bolt and outer flange.  
▶ **Fig.26:** 1. Hex socket bolt (left-handed) 2. Outer flange 3. Shaft lock
3. Mount the circular saw blade carefully onto the inner flange. Make sure that the direction of the arrow on the circular saw blade matches the direction of the arrow on the blade case.  
▶ **Fig.27:** 1. Arrow
4. Install the outer flange and hex socket bolt. Tighten the hex socket bolt (left-handed) counterclockwise securely using the hex wrench while pressing the shaft lock.  
▶ **Fig.28:** 1. Hex socket bolt (left-handed) 2. Outer flange 3. Circular saw blade 4. Ring 5. Inner flange 6. Spindle  
▶ **Fig.29:** 1. Hex socket bolt (left-handed) 2. Outer flange 3. Shaft lock
5. Return the blade guard and center cover to its original position. Then tighten the hex socket bolt of the center cover to secure it.  
Lower the carriage and check that the blade guard moves properly.  
▶ **Fig.30:** 1. Hex wrench 2. Hex socket bolt 3. Center cover 4. Blade guard

## Removing the circular saw blade

1. Complete the steps in the "Common preparations for installing or removing the circular saw blade".
2. Press the shaft lock to lock the spindle. Loosen the hex socket bolt clockwise using the hex wrench. Then remove the hex socket bolt, outer flange and circular saw blade.  
▶ **Fig.31:** 1. Hex socket bolt (left-handed) 2. Outer flange 3. Shaft lock
3. If the inner flange is removed, install it on the spindle with its blade mounting part facing the circular saw blade. If the flange is installed incorrectly, the flange will rub against the machine.  
▶ **Fig.32:** 1. Hex socket bolt (left-handed) 2. Outer flange 3. Circular saw blade 4. Ring 5. Inner flange 6. Spindle

**NOTICE:** Be careful not to lose the removed outer flange and hex socket bolt.

## Connecting a vacuum cleaner

When you wish to perform clean cutting operation, connect a Makita vacuum cleaner.

**NOTICE:** Depending on the type of vacuum cleaner and hose used, the dust collecting port may be blocked by the dust collecting guard, making it impossible to collect dust. In that case, weaken the suction power of the vacuum cleaner.

▶ **Fig.33:** 1. Dust collecting guard

## Dust bag

**CAUTION:** When performing a cutting, always attach the dust bag or connect a vacuum cleaner to prevent dust-related hazards.

The use of the dust bag makes cutting operations clean and dust collection easy. To attach the dust bag, connect the dust bag to the dust nozzle.

▶ **Fig.34:** 1. Dust bag 2. Dust nozzle

When the dust bag is about half full, remove the dust bag from the tool and pull the fastener out. Empty the dust bag of its contents, tapping it lightly so as to remove particles adhering to the insides which might hamper further collection.

▶ **Fig.35:** 1. Fastener

## Securing workpiece

**WARNING:** It is extremely important to always secure the workpiece correctly with the proper type of vise. Failure to do so may result in serious personal injury and cause damage to the tool and/or the workpiece.

**WARNING:** After a cutting operation, do not raise the saw blade until it has come to a complete stop. The raising of a coasting saw blade may result in serious personal injury and damage to the workpiece.

**WARNING:** When cutting a workpiece that is longer than the support base of the miter saw, the material should be supported the entire length beyond the support base and at the same height to keep the material level. Proper workpiece support will help avoid blade pinch and possible kickback which may result in serious personal injury. Do not rely solely on the vertical vise to secure the workpiece. Thin material tends to sag. Support workpiece over its entire length to avoid blade pinch and possible KICKBACK.

▶ **Fig.36:** 1. Support 2. Turn base

## Guide fences

**⚠ WARNING:** Before operating the tool, make sure that the sliding fence is secured with the clamping screw firmly.

**⚠ WARNING:** Before bevel-cutting, make sure that no part of the tool, especially the circular saw blade, contacts the fences when fully lowering and raising the handle in any position and while moving the carriage through its full range of travel. If the tool or circular saw blade makes contact with the fence, this may result in kickback or unexpected movement of the material and serious personal injury.

This tool is equipped with the sliding fence. When performing left bevel cuts, loosen the clamping screw and move the sliding fence so that it does not hinder the carriage movement. Secure the sliding fence by tightening the clamping screw.

► **Fig.37:** 1. Sliding fence 2. Guide fence 3. Clamping screw

## Vertical vise

**⚠ WARNING:** The workpiece must be secured firmly against the turn base and guide fence with the vise during all operations. If the workpiece is not properly secured against the fence, the material may move during the cutting operation causing possible damage to the saw blade, causing the material to be thrown and loss of control resulting in serious personal injury.

The vertical vise can be installed into the holes on the left side of the base, right side of the base, or left side of the sub base.

Press the workpiece flat against the guide fence and the turn base. Position the workpiece at the desired cutting position and secure it firmly by tightening the vise knob. Make sure that no part of the tool contacts the vertical vise when lowering the handle all the way. If some part contacts the vertical vise, re-position the vertical vise.

► **Fig.38:** 1. Hole 2. Vise knob

## Sub base

**⚠ WARNING:** Always support a long workpiece so it is level with the top surface of the turn base for an accurate cut and to prevent dangerous loss of tool control. Proper workpiece support will help avoid blade pinch and possible kickback which may result in serious personal injury.

**⚠ WARNING:** Before the cutting operation, always be sure that the sub bases are secured by the thumb screws.

To hold long workpieces horizontally, sub bases are provided on both sides of the tool. Loosen the thumb screws and extend the sub bases to the appropriate length for holding the workpiece. Then tighten the thumb screws.

► **Fig.39:** 1. Sub base 2. Thumb screw

When cutting, place the workpiece flat against the guide fences.

► **Fig.40:** 1. Guide fence 2. Sub base

## OPERATION

This tool is intended to cut wood products. With appropriate Makita genuine saw blades, following materials can also be sawed :

— Aluminum products

Refer to our website or contact your local Makita dealer for the correct circular saw blades to be used for the material to be cut.

**⚠ WARNING:** Make sure the saw blade is not contacting the workpiece, etc. before the switch is turned on. Turning the tool on with the saw blade in contact with the workpiece may result in kickback and serious personal injury.

**⚠ WARNING:** After a cutting operation, do not raise the saw blade until it has come to a complete stop. The raising of a coasting saw blade may result in serious personal injury and damage to the workpiece.

**⚠ WARNING:** Do not perform any adjustment such as turning grip, knob, and levers on the tool while the saw blade is rotating. Adjustment while the saw blade is rotating may result in serious personal injury.

**⚠ CAUTION:** Do not release the saw head uncontrolled from the fully down position. Uncontrolled saw head may hit you and it will result in personal injury.

**NOTICE:** Before use, be sure to unlock the stopper pin and release the handle from the lowered position.

**NOTICE:** Do not apply excessive pressure on the handle when cutting. Too much force may result in overload of the motor and/or decreased cutting efficiency. Press down handle with only as much force as necessary for smooth cutting and without significant decrease in blade speed.

**NOTICE:** Gently press down the handle to perform the cut. If the handle is pressed down with force or if lateral force is applied, the saw blade may vibrate and leave a mark (saw mark) in the workpiece and the precision of the cut may be impaired.

**NOTICE:** During a slide cut, gently push the carriage toward the guide fence without stopping. If the carriage movement is stopped during the cut, a mark will be left in the workpiece and the precision of the cut will be impaired.



## Press cutting

**⚠ WARNING:** Always lock the sliding movement of the carriage when performing a press cutting. Cutting without lock may cause possible kickback which may result in serious personal injury.

Workpieces up to 65 mm high and 80 mm wide can be cut in the following manner.

1. Push the carriage toward the guide fence until it stops and lock it with the thumb screw.
2. Secure the workpiece with the proper type of vise.
3. Switch on the tool without the circular saw blade making any contact and wait until the circular saw blade attains full speed before lowering.
4. Gently lower the handle to the fully lowered position to cut the workpiece.
5. When the cut is completed, switch off the tool and wait until the circular saw blade has come to a complete stop before returning the circular saw blade to its fully elevated position.

► Fig.41: 1. Thumb screw

## Slide (push) cutting (cutting wide workpieces)

**⚠ WARNING:** Whenever performing a slide cut, first pull the carriage full towards you and press the handle all the way down, then push the carriage toward the guide fence. Never start the cut with the carriage not pulled fully toward you. If you perform the slide cut without the carriage pulled fully toward you, unexpected kickback may occur and serious personal injury may result.

**⚠ WARNING:** Never attempt to perform a slide cut by pulling the carriage towards you. Pulling the carriage towards you while cutting may cause unexpected kickback resulting in possible serious personal injury.

**⚠ WARNING:** Never perform the slide cut with the handle locked in the lowered position.

1. Loosen the thumb screw so that the carriage can slide freely.
2. Secure the workpiece with the proper type of vise.
3. Pull the carriage toward you fully.
4. Switch on the tool without the circular saw blade making any contact and wait until the saw blade attains full speed.
5. Press the handle down and push the carriage toward the guide fence and through the workpiece.
6. When the cut is completed, switch off the tool and wait until the saw blade has come to a complete stop before returning the saw blade to its fully elevated position.

► Fig.42: 1. Thumb screw

## Miter cutting

Refer to the section for adjusting the miter angle.

## Bevel cut

**⚠ WARNING:** After setting the saw blade for a bevel cut, ensure that the carriage and saw blade will have free travel throughout the entire range of the intended cut before operating the tool. Interruption of the carriage or blade travel during the cutting operation may result in kickback and serious personal injury.

**⚠ WARNING:** While making a bevel cut, keep hands out of the path of the saw blade. The angle of the saw blade may confuse the operator as to the actual blade path while cutting and contact with the saw blade will result in serious personal injury.

**⚠ WARNING:** The saw blade should not be raised until it has come to a complete stop. During a bevel cut, the piece cut off may come to rest against the saw blade. If the saw blade is raised while it is rotating, the cut-off piece may be ejected by the saw blade causing the material to fragment which may result in serious personal injury.

**NOTICE:** When pressing down the handle, apply pressure in parallel with the saw blade. If a force is applied perpendicularly to the turn base or if the pressure direction is changed during a cut, the precision of the cut will be impaired.

1. Set the sliding fence on the left to prevent the carriage from contacting.
2. Unlock the stopper pin and loosen thumb screw on the arm so that the carriage can be elevated and slid freely.
3. Adjust the bevel angle according to the procedure explained in the section for bevel angle adjustment. Then tighten the grip.
4. Secure the workpiece with a vise.
5. Pull the carriage toward you fully.
6. Switch on the tool without the circular saw blade making any contact and wait until the circular saw blade attains full speed.
7. Gently lower the handle to the fully lowered position while applying pressure in parallel with the circular saw blade and push the carriage toward the guide fence to cut the workpiece.
8. When the cut is completed, switch off the tool and wait until the circular saw blade has come to a complete stop before returning the saw blade to its fully elevated position.

► Fig.43

## Compound cutting

Compound cutting is the process in which a bevel angle is made at the same time in which a miter angle is being cut on a workpiece. Compound cutting can be performed at the angle shown in the table.

Miter angle	Bevel angle
Left and Right 0° - 45°	Left 0° - 45°

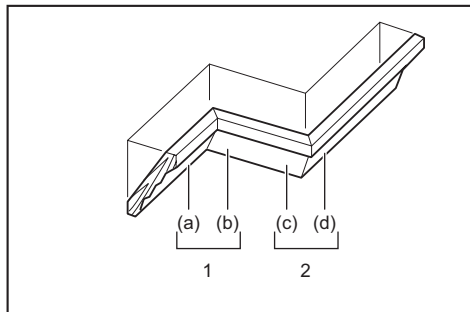
When performing compound cutting, refer to the section for press cutting, slide (push) cutting, miter cutting and bevel cut.

## Cutting crown and cove moldings

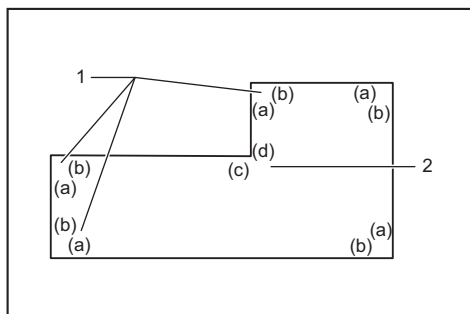
Crown and cove moldings can be cut on a compound miter saw with the moldings laid flat on the turn base. There are two common types of crown moldings and one type of cove moldings; 52/38° wall angle crown molding, 45° wall angle crown molding and 45° wall angle cove molding.

► **Fig.44:** 1. 52/38° type crown molding 2. 45° type crown molding 3. 45° type cove molding

There are crown and cove molding joints which are made to fit "Inside" 90° corners ((a) and (b) in the figure) and "Outside" 90° corners ((c) and (d) in the figure.)



1. Inside corner 2. Outside corner



1. Inside corner 2. Outside corner

## Measuring

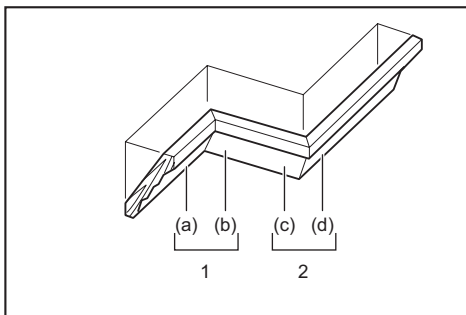
Measure the wall width, and adjust the width of the workpiece according to it. Always make sure that width of the workpiece's wall contact edge is the same as wall length.

► **Fig.45:** 1. Workpiece 2. Wall width 3. Width of the workpiece 4. Wall contact edge

Always use several pieces for test cuts to check the saw angles.

When cutting crown and cove moldings, set the bevel angle and miter angle as indicated in the table (A) and position the moldings on the top surface of the saw base as indicated in the table (B).

## In the case of left bevel cut



1. Inside corner 2. Outside corner

**Table (A)**

-	Molding position in the figure	Bevel angle		Miter angle	
		52/38° type	45° type	52/38° type	45° type
For inside corner	(a)	Left 33.9°	Left 30°	Right 31.6°	Right 35.3°
	(b)			Left 31.6°	Left 35.3°
For outside corner	(c)			Right 31.6°	Right 35.3°
	(d)				

**Table (B)**

-	Molding position in the figure	Molding edge against guide fence	Finished piece
For inside corner	(a)	Ceiling contact edge should be against guide fence.	Finished piece will be on the Left side of the circular saw blade.
	(b)	Wall contact edge should be against guide fence.	
For outside corner	(c)	Wall contact edge should be against guide fence.	Finished piece will be on the Right side of the circular saw blade.
	(d)	Ceiling contact edge should be against guide fence.	

Example:

In the case of cutting 52/38° type crown molding for position (a) in the above figure:

- Tilt and secure bevel angle setting to 33.9° LEFT.
- Adjust and secure miter angle setting to 31.6° RIGHT.
- Lay crown molding with its broad back (hidden) surface down on the turn base with its CEILING CONTACT EDGE against the guide fence on the saw.
- The finished piece to be used will always be on the LEFT side of the circular saw blade after the cut has been made.



## Cutting aluminum extrusion

When securing aluminum extrusions, use spacer blocks or pieces of scrap as shown in the figure to prevent deformation of the aluminum. Use a cutting lubricant when cutting the aluminum extrusion to prevent build-up of the aluminum material on the circular saw blade.

**⚠ WARNING: Never attempt to cut thick or round aluminum extrusions.** Thick or round aluminum extrusions can be difficult to secure and the work may loosen during the cutting operation which may result in loss of control and serious personal injury.

- **Fig.46:** 1. Vise 2. Spacer block 3. Guide fence  
4. Aluminum extrusion 5. Spacer block

## Cutting repetitive lengths

When cutting several pieces of stock to the same length, ranging from 225 mm to 350 mm, pull up the set plate as shown in the figure.

Secure the workpiece in the position for cutting. Slide the right sub base so that the set plate flushes against the end of the workpiece. Then secure the sub base with the thumb screw.

- **Fig.47:** 1. Set plate 2. Thumb screw

## Groove cutting

**⚠ WARNING: Do not attempt to perform this type of cut by using a wider type blade or dado blade.** Attempting to make a groove cut with a wider blade or dado blade could lead to unexpected cutting results and kickback which may result in serious personal injury.

**⚠ WARNING: Be sure to return the stopper arm to the original position when performing other than groove cutting.** Attempting to make cuts with the stopper arm in the incorrect position could lead to unexpected cutting results and kickback which may result in serious personal injury.

For a dado type cut, perform as follows:

1. Adjust the lower limit position of the circular saw blade using the adjusting screw and the stopper arm to limit the cutting depth of the circular saw blade. Refer to the section for stopper arm.

2. After adjusting the lower limit position of the circular saw blade, cut parallel grooves across the width of the workpiece using a slide (push) cut.

- **Fig.48:** 1. Cut grooves with saw blade

3. Remove the workpiece material between the grooves with a chisel.

## Carrying tool

Before carrying the tool, be sure to unplug the tool and all movable parts of the tool are secured. Always check the following:

- The tool is unplugged.
- The carriage is at 0° bevel angle position and secured.
- The carriage is lowered and locked.
- The carriage is slid toward you fully and locked.
- The turn base is at the full right miter angle position and secured.

Carry the tool by holding the carry handle and one side of the tool base or by holding both sides of the tool base.

- **Fig.49**

- **Fig.50**

**⚠ WARNING: Stopper pin for carriage elevation is for carrying, storage, and adjustment purposes only and not for any cutting operations.** The use of the stopper pin for cutting operations may cause unexpected movement of the circular saw blade resulting in kickback and serious personal injury.

**⚠ CAUTION: Always secure all moving portions before carrying the tool.** If portions of the tool move or slide while being carried, loss of control or balance may occur and result in personal injury.

**⚠ CAUTION: Be sure that the carriage elevation is properly locked at its bottom by the stopper pin.** If the stopper pin is not engaged properly, the carriage may jump up suddenly and cause personal injury.

## MAINTENANCE

**⚠ WARNING: Always be sure that the tool is switched off and unplugged before attempting to perform inspection or maintenance.** Failure to unplug and switch off the tool may result in accidental startup of the tool which may result in serious personal injury.

**⚠ WARNING: Always be sure that the saw blade is sharp and clean for the best and safest performance.** Attempting a cut with a dull and /or dirty saw blade may cause kickback and result in a serious personal injury.

**NOTICE: Never use gasoline, benzine, thinner, alcohol or the like. Discoloration, deformation or cracks may result.**

To maintain product SAFETY and RELIABILITY, repairs, any other maintenance or adjustment should be performed by Makita Authorized or Factory Service Centers, always using Makita replacement parts.

## Adjusting the cutting angle

This tool is carefully adjusted and aligned at the factory, but rough handling may have affected the alignment. If your tool is not aligned properly, perform the following:

### Miter angle

1. Lock the carriage in the lowered position by the stopper pin. Push the carriage toward the guide fence and tighten the thumb screw to secure the carriage.
2. Set the turn base to the 0° position using the positive stop function. (Leave as it is if the pointer does not point to 0°.)

3. Loosen the hex socket bolts securing the guide fence using the hex wrench.

► **Fig.51:** 1. Stopper pin 2. Thumb screw 3. Hex socket bolts

4. Square the side of the saw blade with the face of the guide fence using a triangular rule or try-square. Then securely tighten the hex socket bolts on the guide fence in order from the right side.

► **Fig.52:** 1. Guide fence 2. Triangular rule

5. If the pointer does not point to 0°, loosen the screw which secures the pointer and adjust the pointer so that it points 0°.

► **Fig.53:** 1. Screw 2. Pointer 3. Miter scale

### Bevel angle

#### 0° bevel angle

1. Lock the carriage in the lowered position by the stopper pin. Push the carriage toward the guide fence and tighten the thumb screw to secure the carriage.

2. Loosen the lever. Then turn the 0° adjusting bolt two or three revolutions counterclockwise to tilt the circular saw blade to the right.

► **Fig.54:** 1. Lever 2. 0° Adjusting bolt

3. Carefully square the side of the saw blade with the top surface of the turn base using the triangular rule, try-square, etc. by turning the 0° adjusting bolt clockwise. Then tighten the lever firmly to secure the 0° angle you have set.

► **Fig.55:** 1. Triangular rule 2. Saw blade 3. Top surface of turn base

4. If the pointer does not point 0°, loosen the screw which secure the pointer and adjust it so that it points 0°.

► **Fig.56:** 1. Screw 2. Pointer 3. Bevel scale

#### 45° bevel angle

**NOTICE:** Before adjusting the 45° bevel angle, finish 0° bevel angle adjustment.

1. Tighten the thumb screw to secure the carriage.

2. Loosen the lever. Then fully tilt the carriage to the left.

► **Fig.57:** 1. Thumb screw 2. Lever

3. Check if the pointer indicates the 45° position in the bevel angle scale.

If the pointer does not indicate the 45° position, align it with 45° position by turning the 45° adjusting bolt.

► **Fig.58:** 1. 45° adjusting bolt

## Replacing carbon brushes

Remove and check the carbon brushes regularly. Replace when they wear down to the limit mark. Keep the carbon brushes clean and free to slip in the holders. Both carbon brushes should be replaced at the same time. Use only identical carbon brushes.

► **Fig.59:** 1. Limit mark

Use a screwdriver to remove the brush holder caps. Take out the worn carbon brushes, insert the new ones and secure the brush holder caps.

► **Fig.60:** 1. Brush holder cap

## After use

After use, wipe off chips and dust adhering to the tool with a cloth or the like. Keep the blade guard clean according to the directions in the previously covered section titled "Blade guard". Lubricate the sliding portions with machine oil to prevent rust.

## OPTIONAL ACCESSORIES

**⚠WARNING:** These Makita accessories or attachments are recommended for use with your Makita tool specified in this manual. The use of any other accessories or attachments may result in serious personal injury.

**⚠WARNING:** Only use the Makita accessory or attachment for its stated purpose. Misuse of an accessory or attachment may result in serious personal injury.

If you need any assistance for more details regarding these accessories, ask your local Makita Service Center.

- Steel & Carbide-tipped saw blade
- Vertical vise
- Dust bag
- Triangular rule
- Hex wrench
- Stand set

**NOTE:** Some items in the list may be included in the tool package as standard accessories. They may differ from country to country.

# SPÉCIFICATIONS

<b>Modèle :</b>		<b>LS0816F</b>
Diamètre de lame		216 mm
Diamètre d'orifice	Pays européens	30 mm
	Pays en dehors de l'Europe	25,4 mm ou 30 mm (selon le pays)
Épaisseur max. du trait de la lame de scie		2,8 mm
Angle de coupe d'onglet max.		Gauche 47°, droite 47°
Angle de coupe en biseau max.		Gauche 47°, droite 2°
Vitesse à vide (tr/min)		5 000 min <sup>-1</sup>
Dimensions (L x l x H)		476 mm x 705 mm x 521 mm
Poids net		13,9 kg
Catégorie de sécurité		☐/II

- Étant donné l'évolution constante de notre programme de recherche et de développement, les spécifications contenues dans ce manuel sont sujettes à modification sans préavis.
- Les spécifications peuvent varier suivant les pays.
- Poids selon la procédure EPTA 01/2014

## Capacités de coupe (H x l) avec une lame de scie de ø 216 mm

Angle de coupe d'onglet	Angle de coupe en biseau		
	45° (gauche)	0°	2° (droite)
0°	36 mm x 305 mm	65 mm x 305 mm	60 mm x 305 mm
45° (gauche et droite)	36 mm x 215 mm	65 mm x 215 mm	-

## Symboles

Vous trouverez ci-dessous les symboles susceptibles d'être utilisés pour l'appareil. Veuillez à comprendre leur signification avant toute utilisation.

	Lire le mode d'emploi.
	DOUBLE ISOLATION
	Portez des lunettes de sécurité.
	Pour éviter les blessures provoquées par les objets projetés, maintenir la tête de la scie en position basse une fois la coupe terminée, jusqu'à ce que la lame de scie soit complètement arrêtée.
	Lorsqu'on effectue une coupe en glissière, tirer d'abord complètement le chariot et enfoncer la poignée, puis pousser le chariot vers le guide.
	Ne pas placer les mains ou les doigts près de la lame de scie.
	Ajuster correctement les guides coulissants loin de la lame de scie et du protecteur de lame.



Ne pas fixer la lampe en fonctionnement.



Pour les pays de l'Union européenne uniquement  
En raison de la présence de composants dangereux dans l'équipement, les équipements électriques et électroniques usagés peuvent avoir un impact négatif sur l'environnement et la santé humaine.  
Ne jetez pas les appareils électriques et électroniques avec les ordures ménagères !  
Conformément à la directive européenne relative aux déchets d'équipements électriques et électroniques et à son adaptation à la législation nationale, les équipements électriques et électroniques usagés doivent être collectés séparément et déposés dans un point de collecte distinct pour déchets urbains, conformément aux réglementations en matière de protection de l'environnement.  
Cela est indiqué par le symbole de la poubelle à roulettes barrée sur l'équipement.

## Utilisations

L'outil est conçu pour effectuer des coupes rectilignes et des coupes d'onglet dans le bois, avec précision. En utilisant des lames de scie appropriées, l'aluminium peut également être scié. Pour en savoir plus, consultez la section UTILISATION.

## Alimentation

L'outil ne devra être raccordé qu'à une alimentation de la même tension que celle qui figure sur la plaque signalétique, et il ne pourra fonctionner que sur un courant secteur monophasé. Réalisé avec une double isolation, il peut de ce fait être alimenté par une prise sans mise à la terre.

## Bruit

Niveau de bruit pondéré A typique, déterminé selon EN62841-3-9 :

Niveau de pression sonore ( $L_{pA}$ ) : 91 dB (A)

Niveau de puissance sonore ( $L_{WA}$ ) : 102 dB (A)

Incertitude (K) : 3 dB (A)

**NOTE** : La ou les valeurs d'émission de bruit déclarées ont été mesurées conformément à la méthode de test standard et peuvent être utilisées pour comparer les outils entre eux.

**NOTE** : La ou les valeurs d'émission de bruit déclarées peuvent aussi être utilisées pour l'évaluation préliminaire de l'exposition.

**AVERTISSEMENT** : Portez un serre-tête antibruit.

**AVERTISSEMENT** : L'émission de bruit lors de l'usage réel de l'outil électrique peut être différente de la ou des valeurs déclarées, suivant la façon dont l'outil est utilisé, particulièrement selon le type de pièce usinée.

**AVERTISSEMENT** : Les mesures de sécurité à prendre pour protéger l'utilisateur doivent être basées sur une estimation de l'exposition dans des conditions réelles d'utilisation (en tenant compte de toutes les composantes du cycle d'utilisation, comme par exemple le moment de sa mise hors tension, lorsqu'il tourne à vide et le moment de son déclenchement).

## Déclarations de conformité

*Pour les pays européens uniquement*

Les déclarations de conformité sont fournies en Annexe A à ce mode d'emploi.

## CONSIGNES DE SÉCURITÉ

### Consignes de sécurité générales pour outils électriques

**AVERTISSEMENT** Veuillez lire toutes les consignes de sécurité, instructions, illustrations et spécifications qui accompagnent cet outil électrique. Le non-respect de toutes les instructions indiquées ci-dessous peut entraîner une électrocution, un incendie et/ou de graves blessures.

## Conservez toutes les mises en garde et instructions pour référence ultérieure.

Le terme « outil électrique » dans les avertissements fait référence à l'outil électrique alimenté par le secteur (avec cordon d'alimentation) ou à l'outil électrique fonctionnant sur batterie (sans cordon d'alimentation).

### Sécurité de l'aire de travail

1. **Maintenez l'aire de travail propre et bien éclairée.** Les aires de travail en désordre ou mal éclairées sont propices aux accidents.
2. **N'utilisez pas un outil électrique dans un environnement explosif, en présence de liquides, gaz ou poussières inflammables par exemple.** Les outils électriques produisent des étincelles qui peuvent enflammer la poussière ou les émanations.
3. **Tenez à distance enfants et passants pendant que vous opérez un outil électrique.** Les distractions peuvent vous faire perdre le contrôle de l'outil.

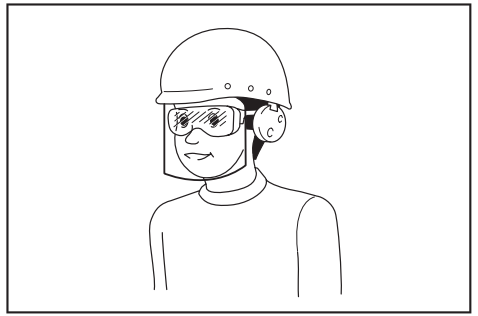
### Sécurité électrique

1. **La fiche de l'outil électrique doit correspondre avec la prise de courant. Ne modifiez en aucun cas la fiche. N'utilisez pas de fiches adaptatrices avec des outils électriques reliés à la terre (masse).** Les fiches non modifiées et les prises de courant adaptées réduisent les risques d'électrocution.
2. **Évitez tout contact physique avec des surfaces reliées à la terre ou à la masse, tels que tuyaux, radiateurs, cuisinières électriques et réfrigérateurs.** Le risque d'électrocution augmente si votre corps est relié à la terre ou à la masse.
3. **N'exposez pas les outils électriques à la pluie ou à l'humidité.** Le risque d'électrocution augmente si de l'eau pénètre dans un outil électrique.
4. **Ne maltraitez pas le cordon d'alimentation. N'utilisez jamais le cordon pour transporter, tirer ou débrancher l'outil électrique. Tenez le cordon à l'écart de sources de chaleur, huile, bords tranchants ou pièces en mouvement.** Le risque d'électrocution augmente si le cordon est endommagé ou entortillé.
5. **Utilisez une rallonge convenant pour l'utilisation à l'air libre si vous utilisez l'outil électrique à l'extérieur.** Le risque d'électrocution diminue si vous utilisez un cordon convenant pour l'utilisation à l'air libre.
6. **Si l'utilisation d'un outil électrique dans un emplacement humide est inévitable, servez-vous d'une alimentation protégée par un dispositif différentiel à courant résiduel (DDR).** Le risque d'électrocution diminue si vous utilisez un DDR.
7. **Il est recommandé d'utiliser un DDR dont le courant résiduel nominal ne dépasse pas 30 mA en tout temps.**
8. **Les outils électriques peuvent produire des champs électromagnétiques (CEM) qui ne sont pas dangereux pour l'utilisateur.** Toutefois, les porteurs de stimulateurs cardiaques et autres appareils médicaux semblables doivent demander conseil au fabricant de leur appareil et/ou à leur médecin avant d'utiliser cet outil électrique.

9. **Ne touchez pas la prise d'alimentation avec des mains humides.**
10. **Si le cordon est endommagé, confiez son remplacement au fabricant ou à son représentant pour éviter tout risque pour la sécurité.**

#### Sécurité personnelle

1. **Restez vigilant, surveillez vos gestes et faites preuve de bon sens lorsque vous utilisez un outil électrique. N'utilisez pas un outil électrique lorsque vous êtes fatigué ou sous l'emprise de drogues, d'alcool ou de médicaments.** Un moment d'inattention durant l'utilisation d'un outil électrique peut entraîner de graves blessures.
2. **Utilisez un équipement de protection individuelle. Portez toujours une protection oculaire.** Les équipements de sécurité tels que les masques contre les poussières, les chaussures de sécurité antidérapantes, les casques ou les protecteurs d'oreilles utilisés pour les conditions appropriées réduiront les blessures.
3. **Évitez les démarrages intempestifs. Assurez-vous que l'interrupteur est en position d'arrêt avant de brancher l'outil au secteur et/ou sur la batterie, de le ramasser ou de le porter.**  
Porter un outil électrique en ayant le doigt sur l'interrupteur ou brancher un outil électrique dont l'interrupteur est en position de marche est source d'accidents.
4. **Retirez toute clé de réglage ou autre avant de mettre l'outil électrique sous tension.** Une clé laissée en place sur une pièce rotative de l'outil électrique peut entraîner des blessures.
5. **Ne vous penchez pas trop loin. Tenez-vous toujours bien campé, en position d'équilibre.** Vous aurez ainsi une meilleure maîtrise de l'outil électrique en cas de situations imprévues.
6. **Portez des vêtements adéquats. Ne portez pas de vêtements amples ni de bijoux. Maintenez vos cheveux et vos vêtements à l'écart des pièces en mouvement.** Les pièces en mouvement peuvent happer les vêtements amples, les bijoux ou les cheveux longs.
7. **Si des accessoires sont fournis pour raccorder des dispositifs d'aspiration et de collecte de la poussière, vérifiez qu'ils sont raccordés et utilisés correctement.** L'utilisation de collecteurs de poussière permet de réduire les risques liés à la présence de poussière.
8. **Ne vous laissez pas tromper au fil d'une utilisation fréquente par un sentiment de familiarité vous faisant baisser la garde et ignorer les principes de sécurité de l'outil.** Des actions imprudentes peuvent provoquer de graves blessures en une fraction de seconde.
9. **Pour protéger vos yeux des blessures lorsque vous utilisez un outil électrique, portez toujours des lunettes de protection, lesquelles doivent être conformes à ANSI Z87.1 aux États-Unis, EN 166 en Europe ou AS/NZS 1336 en Australie/Nouvelle-Zélande. En Australie/Nouvelle-Zélande, la loi exige également le port d'un écran facial pour se protéger le visage.**



**L'employeur est responsable d'imposer le port d'équipements de sécurité appropriés par les utilisateurs de l'outil et par les autres personnes se trouvant à proximité de la zone de travail.**

#### Utilisation et entretien des outils électriques

1. **Ne forcez pas l'outil électrique. Utilisez l'outil électrique adapté à l'application souhaitée.** Si vous utilisez l'outil électrique adéquat et respectez le régime pour lequel il a été conçu, il réalisera un travail de meilleure qualité et plus sûr.
2. **N'utilisez pas l'outil électrique s'il est impossible de l'allumer ou de l'éteindre avec l'interrupteur.** Un outil électrique ne pouvant être contrôlé par l'interrupteur représente un danger et doit être réparé.
3. **Débranchez la fiche de la source d'alimentation et/ou retirez la batterie (si elle est amovible) de l'outil électrique avant de procéder à des réglages, de changer d'accessoire ou de ranger l'outil électrique.** Ces mesures de sécurité préventives réduiront les risques de démarrage accidentel de l'outil électrique.
4. **Rangez les outils électriques non utilisés hors de portée des enfants et ne laissez aucune personne les utiliser si elle n'est pas familiarisée avec les outils électriques ou ces instructions.** Les outils électriques représentent un danger entre des mains inexpertes.
5. **Entretenez les outils électriques et les accessoires. Assurez-vous que les pièces en mouvement ne sont pas désalignées ou coincées, qu'aucune pièce n'est cassée ou que l'outil électrique n'a subi aucun dommage pouvant affecter son bon fonctionnement.** Si l'outil électrique est endommagé, faites-le réparer avant de le réutiliser. De nombreux accidents sont dus à des outils électriques mal entretenus.
6. **Maintenez vos outils de coupe affûtés et propres.** Un outil de coupe bien entretenu aux bords bien affûtés risquera moins de se coincer et sera plus facile à maîtriser.
7. **Utilisez l'outil électrique, ses accessoires et ses embouts, etc. conformément aux instructions, en tenant compte des conditions de travail et de la tâche à effectuer.** L'utilisation d'un outil électrique à des fins autres que celles prévues est potentiellement dangereuse.

8. **Gardez toutes les poignées et surfaces de prise sèches, propres et sans trace d'huile ou de graisse.** Des poignées et des surfaces de prise glissantes ne permettent pas une manipulation et une maîtrise sûres de l'outil dans les situations imprévues.
9. **Lorsque vous utilisez l'outil, ne portez pas de gants de travail en tissu qui pourraient s'enchevêtrer.** L'enchevêtrement de gants de travail en tissu dans les pièces en mouvement peut provoquer des blessures corporelles.
6. **Ne tendez pas les mains derrière le guide plus près que 100 mm d'un côté ou de l'autre de la lame de scie pour retirer les chutes de bois ou pour tout autre motif pendant que la lame tourne.** La proximité de la lame de scie en rotation avec votre main pourrait ne pas être évidente et vous pourriez gravement vous blesser.
7. **Inspectez votre pièce avant la coupe. Si la pièce est arquée ou tordue, serrez-la en place avec la face externe arquée tournée vers le guide. Assurez-vous toujours qu'il n'y a pas d'espace entre la pièce, le guide et la table le long de la ligne de coupe.** Les pièces courbées ou tordues peuvent se tordre ou bouger et pincer la lame de scie en rotation pendant la coupe. La pièce ne doit pas avoir de clous ou corps étrangers.

### Dépannage

1. **Confiez la réparation de votre outil électrique à un réparateur qualifié qui utilise des pièces de rechange identiques.** La sécurité de l'outil électrique sera ainsi préservée.
2. **Suivez les instructions pour la lubrification et le remplacement des accessoires.**

## Consignes de sécurité pour scies radiales

1. **Les scies radiales sont conçues pour couper le bois ou des produits similaires au bois ; elles ne peuvent pas être utilisées avec des meules à tronçonner pour couper des matériaux ferreux comme des barres, des tiges, des goujons, etc.** La poussière abrasive provoque le blocage des pièces mobiles comme le protecteur inférieur. Les étincelles produites par le tronçonnage abrasif brûleront le protecteur inférieur, le pare-éclats et les autres pièces en plastique.
2. **Utilisez des dispositifs de serrage pour soutenir la pièce si possible. Si vous soutenez la pièce avec la main, vous devez toujours tenir votre main à au moins 100 mm des côtés de la lame de scie. N'utilisez pas cette scie pour découper des morceaux trop petits pour être solidement bloqués ou tenus avec la main.** Si votre main est placée trop près de la lame de scie, cela présente un risque accru de blessures en cas de contact avec la lame.
3. **La pièce doit être immobile et bloquée ou maintenue à la fois contre le guide et la table. En aucun cas, ne poussez la pièce dans la lame, ni ne coupez « à main levée ».** Les pièces non retenues ou en mouvement pourraient être projetées à grande vitesse et vous blesser.
4. **Poussez la scie à travers la pièce. Ne tirez pas la scie à travers la pièce. Pour faire une coupe, soulevez la tête de scie et placez-la au-dessus de la pièce sans couper, démarrez le moteur, appuyez la tête de scie vers le bas et poussez la scie à travers la pièce.** Couper en tirant peut faire que la lame de scie monte sur le haut de la pièce et projette violemment l'ensemble de la lame en direction de l'utilisateur.
5. **Ne croisez jamais les mains sur la ligne de coupe prévue devant ou derrière la lame de scie.** Soutenir la pièce les « mains croisées », à savoir en tenant la pièce à droite de la lame de scie avec la main gauche et inversement, est très dangereux.
6. **Ne tendez pas les mains derrière le guide plus près que 100 mm d'un côté ou de l'autre de la lame de scie pour retirer les chutes de bois ou pour tout autre motif pendant que la lame tourne.** La proximité de la lame de scie en rotation avec votre main pourrait ne pas être évidente et vous pourriez gravement vous blesser.
7. **Inspectez votre pièce avant la coupe. Si la pièce est arquée ou tordue, serrez-la en place avec la face externe arquée tournée vers le guide. Assurez-vous toujours qu'il n'y a pas d'espace entre la pièce, le guide et la table le long de la ligne de coupe.** Les pièces courbées ou tordues peuvent se tordre ou bouger et pincer la lame de scie en rotation pendant la coupe. La pièce ne doit pas avoir de clous ou corps étrangers.
8. **N'utilisez pas la scie tant que la table n'est pas dégagée de tous les outils, chutes de bois, etc., à l'exception de la pièce.** Les petits débris, les morceaux de bois détachés ou d'autres objets entrant en contact avec la lame en rotation peuvent être projetés à grande vitesse.
9. **Coupez uniquement une pièce à la fois.** Plusieurs pièces empilées ne peuvent pas être correctement serrées ou attachées et risquent de pincer la lame ou de bouger pendant la coupe.
10. **Avant utilisation, assurez-vous que la scie radiale est installée ou posée sur un plan de travail plat et solide.** Un plan de travail plat et solide réduit le risque d'instabilité de la scie radiale.
11. **Planifiez votre travail. Chaque fois que vous changez le réglage de l'angle de coupe en biseau ou l'angle de coupe d'onglet, assurez-vous que le guide réglable est placé correctement pour soutenir la pièce et qu'il ne gênera pas la lame ou le dispositif de protection.** Sans mettre l'outil sous tension (ON) et sans pièce sur la table, déplacez la lame de scie pour une simulation de coupe complète afin de vous assurer qu'il n'y aura pas d'interférence ou de risque de couper le guide.
12. **Prévoyez des supports adéquats comme des rallonges de table, un chevalet de sciage, etc., pour les pièces plus larges ou plus longues que la table.** Les pièces plus longues ou plus larges que la table d'appui de la scie radiale peuvent basculer si elles ne sont pas solidement soutenues. Si la partie coupée de la pièce ou la pièce elle-même bascule, elle peut soulever le protecteur inférieur ou être projetée par la lame en rotation.
13. **Ne vous servez pas d'une autre personne à la place d'une rallonge de table ou d'un support supplémentaire.** Un soutien instable de la pièce peut pincer la lame ou faire bouger la pièce pendant la coupe vous entraînant vous et votre assistant vers la lame en rotation.
14. **La partie coupée de la pièce ne doit pas être coincée ou appuyée par quelque moyen que ce soit contre la lame de scie en rotation.** Si elle est emprisonnée, au moyen de butées longitudinales par exemple, la partie coupée de la pièce risque de se coincer contre la lame et d'être violemment projetée.

► Fig.1



15. **Utilisez toujours un dispositif de serrage ou de fixation conçu pour soutenir adéquatement les pièces rondes comme les barres ou les tuyaux.** Les barres ont tendance à rouler pendant la coupe, faisant « mordre » la lame et entraînant la pièce et votre main sur la lame.
16. **Attendez que la lame ait atteint sa pleine vitesse avant de la mettre en contact avec la pièce.** Vous réduirez ainsi le risque de projection de la pièce.
17. **Si la pièce ou la lame se coince, mettez la scie radiale hors tension. Attendez que toutes les pièces en mouvement s'arrêtent et débranchez la fiche du cordon d'alimentation de la prise secteur et/ou retirez la batterie. Puis essayez de libérer la pièce coincée.** Si vous continuez à scier avec une pièce coincée, vous risquez de perdre le contrôle de la scie radiale ou de l'endommager.
18. **Une fois la coupe terminée, relâchez l'interrupteur, tenez la tête de scie vers le bas et attendez l'arrêt de la lame avant de retirer la partie coupée de la pièce.** Approcher votre main de la lame « en roue libre » est dangereux.
19. **Utilisez uniquement une lame de scie ayant le diamètre indiqué sur l'outil ou spécifié dans le mode d'emploi.** L'utilisation d'une taille incorrecte de lame de scie peut affecter la protection de la lame de scie ou le fonctionnement du protecteur, ce qui pourrait provoquer de graves blessures.
20. **Utilisez uniquement des lames de scie sur lesquelles est indiquée une vitesse égale ou supérieure à la vitesse figurant sur l'outil.**
21. **N'utilisez pas la scie pour couper des matériaux autres que ceux spécifiés.**
22. **(Pour les pays européens uniquement) Utilisez toujours une lame de scie conforme à la norme EN847-1 si vous prévoyez de couper du bois et des matériaux similaires.**
7. **Immobilisez toujours toutes les pièces mobiles de l'outil avant de le transporter.**
8. **La broche d'arrêt ou le frein de blocage qui verrouille en position basse la tête de scie sert uniquement à des fins de transport et de rangement et pas pour les opérations de coupe.**
9. **Vérifiez soigneusement l'absence de fissures ou de dommages sur la lame de scie avant l'utilisation. Remplacez immédiatement une lame de scie fissurée ou abîmée.** Les dépôts de colle et les copeaux de bois qui durcissent contre la lame de scie ralentissent la scie et entraînent une augmentation des risques de choc en retour. Pour nettoyer la lame de scie, retirez-la d'abord de l'outil, puis nettoyez-la avec un décapant spécial résine et colle, de l'eau chaude ou du kérosène. N'utilisez jamais d'essence pour nettoyer la lame de scie.
10. **Les coupes en glissière peuvent entraîner un CHOC EN RETOUR. UN CHOC EN RETOUR survient lorsque la lame de scie se pince dans la pièce pendant la coupe et que la lame de scie est entraînée rapidement vers l'utilisateur.** Cela présente un risque de perte de contrôle et de graves blessures. Si la lame de scie commence à accrocher pendant la coupe, ne continuez pas à couper et relâchez immédiatement l'interrupteur.
11. **N'utilisez que les flasques spécifiés pour cet outil.**
12. **Prenez garde de ne pas endommager l'alésage, les flasques (tout particulièrement leur surface d'installation) ou le boulon.** Si ces pièces sont endommagées, la lame de scie peut se casser.
13. **Assurez-vous que le socle rotatif est bien immobilisé, afin qu'il ne risque pas de se déplacer pendant l'opération.** Utilisez les orifices sur le socle pour fixer la scie sur une plateforme de travail ou un établi stable. N'utilisez JAMAIS l'outil si vous vous trouvez dans une position incommode.

#### Instructions supplémentaires

1. **Faites en sorte que l'atelier ne présente pas de dangers pour les enfants en plaçant des cadenas.**
2. **Ne vous tenez jamais debout sur l'outil.** Vous risqueriez de gravement vous blesser si l'outil bascule ou si vous touchez par inadvertance l'outil de coupe.
3. **Ne laissez jamais sans surveillance un outil en marche.** Mettez-le hors tension. Attendez que l'outil soit complètement arrêté avant de vous éloigner.
4. **N'utilisez jamais la scie sans les protecteurs en place.** Vérifiez le bon fonctionnement du protecteur de lame avant chaque utilisation. N'utilisez pas la scie si le protecteur de lame ne se déplace pas librement et ne se referme pas instantanément. N'immobilisez jamais le protecteur de lame en position ouverte.
5. **Gardez bien les mains à l'écart de la lame de scie.** Évitez tout contact avec une lame de scie « en roue libre ». Vous pourriez gravement vous blesser.
6. **Pour réduire le risque de blessure, ramenez le chariot à la position arrière complète après chaque coupe transversale.**
14. **Assurez-vous que le blocage de l'arbre est relâché avant de mettre la sous tension.**
15. **Assurez-vous que la lame de scie ne touche pas le socle rotatif quand elle est abaissée au maximum.**
16. **Tenez la poignée fermement.** N'oubliez pas que la scie se déplace légèrement de haut en bas au démarrage et à l'arrêt.
17. **Assurez-vous que la lame de scie ne touche pas la pièce avant de mettre l'outil sous tension.**
18. **Avant d'utiliser l'outil sur la pièce à travailler, faites-le tourner un instant à vide.** Vérifiez que la lame de scie ne présente ni balourd ni shimmy qui pourraient résulter d'un montage incorrect ou d'un déséquilibre.
19. **Arrêtez immédiatement si vous remarquez quoi que ce soit d'anormal.**
20. **Ne tenez pas de bloquer la gâchette sur la position de marche (ON).**
21. **N'utilisez que les accessoires recommandés dans ce manuel.** L'utilisation d'accessoires différents, disques à tronçonner notamment, peut entraîner des blessures.

22. Certains matériaux contiennent des produits chimiques qui peuvent être toxiques. Prenez garde de ne pas avaler la poussière et évitez tout contact avec la peau. Suivez les données de sécurité du fournisseur du matériau.

Consignes de sécurité supplémentaires pour la lampe en fonctionnement

1. Évitez de regarder directement le faisceau lumineux ou sa source.

**⚠️ AVERTISSEMENT : NE vous laissez PAS tromper (au fil d'une utilisation répétée) par un sentiment d'aisance et de familiarité avec le produit, en négligeant le respect rigoureux des consignes de sécurité qui accompagnent le produit en question. La MAUVAISE UTILISATION de l'outil ou l'ignorance des consignes de sécurité indiquées dans ce mode d'emploi peut entraîner de graves blessures.**

## CONSERVEZ CES INSTRUCTIONS.

## DESCRIPTION DES PIÈCES

► Fig.2

1	Vis de réglage (pour la position limite inférieure)	2	Bras de blocage	3	Sac à poussière	4	Vis à oreilles (pour le coulisement du chariot)
5	Index (pour l'angle de coupe en biseau)	6	Graduation d'angles de coupe en biseau	7	Tige de glissement	8	Étau vertical
9	Guide coulissant	10	Boulon de réglage à 0° (pour l'angle de coupe en biseau)	11	Guide	12	Socle secondaire
13	Socle rotatif	14	Graduation d'angles de coupe d'onglet	15	Index (pour l'angle de coupe d'onglet)	16	Plateau de découpe
17	Boulon de réglage (pour le socle rotatif)	18	Levier de verrouillage (pour le socle rotatif)	19	Manche (pour le socle rotatif)	20	Protecteur de collecte de la poussière
21	Protecteur de lame	22	Lampe	23	Poignée (pour le fonctionnement)	24	Gâchette
25	Orifice pour cadenas	26	Bouton de sécurité	27	Poignée de transport	-	-

► Fig.3

1	Interrupteur de la lampe	2	Blocage de l'arbre	3	Boulon de réglage (pour la capacité de coupe maximale)	4	Broche d'arrêt (pour le soulèvement du chariot)
5	Plaque de fixation	6	Clé hexagonale	7	Boulon de réglage à 45° (pour l'angle de coupe en biseau)	8	Levier (pour l'angle de coupe en biseau)
9	Bouton de libération (pour l'angle de coupe en biseau)	-	-	-	-	-	-

## INSTALLATION

### Montage sur établi

**⚠️ AVERTISSEMENT : Assurez-vous que l'outil ne bouge pas sur la surface de soutien.** Si la scie radiale bouge sur la surface de soutien pendant la coupe, il y a risque de perte de contrôle et de graves blessures.

1. Fixez le socle sur une surface plane et stable en vissant avec les boulons. Ceci permet d'éviter tout risque de renversement et de blessure.

► Fig.4: 1. Boulon 2. Orifice de montage

2. Tournez le boulon de réglage vers la droite ou la gauche de sorte qu'il entre en contact avec la surface du plancher pour assurer la stabilité de l'outil.

► Fig.5: 1. Boulon de réglage



## DESCRIPTION DU FONCTIONNEMENT

**⚠ AVERTISSEMENT : Assurez-vous toujours que l'outil est hors tension et débranché avant de l'ajuster ou de vérifier son fonctionnement.**

Si vous ne mettez pas l'outil hors tension et ne le débranchez pas, cela présente un risque de graves blessures en cas de démarrage accidentel.

### Verrouillage de la poignée

**⚠ ATTENTION : Tenez toujours la poignée lorsque vous libérez la broche d'arrêt.** Autrement, la poignée peut sauter et provoquer des blessures.

À la sortie d'usine, la poignée est verrouillée en position abaissée avec la broche d'arrêt. Pour déverrouiller la poignée, tirez sur la broche d'arrêt tout en abaissant légèrement la poignée.

► **Fig.6:** 1. Broche d'arrêt

### Verrouillage du coulissement

Pour permettre le mouvement de coulissement du chariot, desserrez la vis à oreilles sur le bras. Pour verrouiller le mouvement de coulissement du chariot, déplacez le chariot sur la position souhaitée, puis serrez fermement la vis à oreilles.

► **Fig.7:** 1. Vis à oreilles 2. Bras

### Protecteur de lame

**⚠ AVERTISSEMENT : Ne modifiez ni ne retirez le protecteur de lame ou son ressort.** Une lame de scie circulaire exposée suite à la modification du protecteur peut entraîner de graves blessures lors de l'utilisation.

**⚠ AVERTISSEMENT : N'utilisez jamais l'outil si le protecteur de lame ou le ressort est endommagé, défectueux ou retiré.** L'utilisation de l'outil avec un protecteur endommagé, défectueux ou retiré peut entraîner de graves blessures.

**⚠ ATTENTION : Maintenez toujours le protecteur de lame en bon état pour un fonctionnement sécuritaire. Arrêtez immédiatement le fonctionnement en présence d'anomalies du protecteur de lame. Vérifiez que le mécanisme de rappel par ressort du protecteur fonctionne correctement.**

Le protecteur de lame s'élève automatiquement lorsque vous abaissez la poignée. Le protecteur étant équipé d'un ressort de rappel, il revient à sa position d'origine une fois la coupe terminée et la poignée relevée.

► **Fig.8:** 1. Protecteur de lame

## Nettoyage

Si le protecteur de lame transparent devient sale ou si la sciure de bois y adhère au point que la lame de scie circulaire et/ou la pièce à travailler ne soient plus bien visibles, débranchez l'outil et nettoyez soigneusement le protecteur avec un chiffon humide. N'utilisez aucun solvant ou nettoyant à base de pétrole sur le protecteur en plastique, car cela risquerait de l'abîmer. Suivez les instructions détaillées fournies sur les préparatifs du nettoyage.

1. Assurez-vous que l'outil est éteint et débranché.
  2. Tournez le boulon à tête cylindrique à six pans creux vers la gauche à l'aide de la clé hexagonale fournie tout en tenant le capot central.
  3. Soulevez le protecteur de lame et le capot central.
  4. Une fois que le nettoyage est terminé, remettez le capot central en place et serrez le boulon à tête cylindrique à six pans creux en suivant les étapes ci-dessus dans l'ordre inverse.
- **Fig.9:** 1. Clé hexagonale 2. Boulon à tête cylindrique à six pans creux 3. Capot central 4. Protecteur de lame

**⚠ AVERTISSEMENT : Ne retirez pas le ressort du protecteur de lame.** Si le protecteur se détériore avec le temps ou sous l'effet des rayons ultraviolets, contactez un centre d'entretien Makita pour le remplacer. **NE NEUTRALISEZ NI NE RETIREZ LE PROTECTEUR.**

## Positionnement des plateaux de découpe

Le socle rotatif de cet outil est équipé de plateaux de découpe pour minimiser la déchirure du côté de sortie de la coupe. Les plateaux de découpe sont réglés en usine de sorte que la lame de scie circulaire n'entre pas en contact avec les plateaux de découpe. Avant l'utilisation, ajustez les plateaux de découpe comme suit :

1. Assurez-vous que l'outil est débranché. Desserrez ensuite toutes les vis (trois à droite et à gauche) qui retiennent les plateaux de découpe.
- **Fig.10:** 1. Plateau de découpe 2. Vis
2. Ne les resserrez que partiellement, de sorte qu'il soit facile de déplacer manuellement les plateaux de découpe.
  3. Abaissez complètement la poignée, puis verrouillez la poignée en position abaissée avec la broche d'arrêt.
  4. Desserrez la vis à oreilles sur le bras qui assure le mouvement de coulissement du chariot.

Tirez complètement le chariot vers vous.

► **Fig.11:** 1. Vis à oreilles 2. Bras

5. Ajustez les plateaux de découpe de sorte qu'ils soient proches des côtés des dents de la lame de scie.
- **Fig.12**

► **Fig.13:** 1. Lame de scie circulaire 2. Dents de lame 3. Plateau de découpe 4. Coupe en biseau sur la gauche 5. Coupe rectiligne

6. Serrez les vis à l'avant (ne serrez pas fermement).
7. Faites glisser le chariot sur la position entre l'extrémité avant des plateaux de découpe et des guides. Ajustez les plateaux de découpe de sorte qu'ils soient proches des côtés des dents de la lame de scie.
8. Serrez les vis centrales (ne serrez pas fermement).
9. Poussez complètement le chariot vers les guides puis ajustez les plateaux de découpe de sorte qu'ils soient proches des côtés des dents de la lame de scie.
10. Serrez les vis à l'arrière (ne serrez pas fermement).
11. Dégagez la broche d'arrêt pour le verrouillage de la poignée et soulevez la poignée. Serrez ensuite toutes les vis fermement.

**REMARQUE :** Après avoir réglé l'angle de coupe en biseau, assurez-vous que les plateaux de découpe sont bien ajustés. Des plateaux de découpe bien ajustés contribuent au soutien adéquat de la pièce et réduisent l'effet d'arrachement sur la pièce.

## Maintien de la capacité de coupe maximale

Cet outil est réglé en usine pour offrir la capacité de coupe maximale avec une lame de scie circulaire de 216 mm.

Lorsque vous installez une nouvelle lame de scie circulaire, vérifiez toujours la position limite inférieure de la lame de scie circulaire, et réglez-la comme suit si nécessaire :

1. Débranchez l'outil. Poussez ensuite le chariot à fond vers le guide et abaissez complètement la poignée.
2. Avec la clé hexagonale (côté tournevis), tournez le boulon de réglage jusqu'à ce que la lame de scie circulaire se trouve légèrement sous la section transversale du guide et de la surface supérieure du socle rotatif.
  - Fig.14: 1. Boulon de réglage 2. Guide
  - Fig.15
3. Faites tourner la lame de scie circulaire manuellement en maintenant la poignée en position complètement abaissée, afin d'être certain que la lame de scie circulaire n'entre en contact avec aucune partie du plateau inférieur. Réajustez la capacité de coupe maximale, au besoin.

**⚠ AVERTISSEMENT :** Après avoir installé une nouvelle lame de scie circulaire et avec l'outil débranché, assurez-vous toujours que la lame de scie circulaire ne touche aucune partie du plateau inférieur lorsque la poignée est complètement abaissée. Si la lame de scie circulaire touche le plateau, elle risque de provoquer un choc en retour et d'entraîner de graves blessures.

► Fig.16

## Bras de blocage

Le bras de blocage permet de régler facilement la position limite inférieure de la lame de scie. Pour régler la limite inférieure, tournez le bras de blocage dans le sens de la flèche comme indiqué sur la figure. Tournez la vis de réglage de sorte que la lame de scie s'arrête sur la position souhaitée lorsque la poignée est complètement abaissée.

► Fig.17: 1. Bras de blocage 2. Vis de réglage

## Réglage de l'angle de coupe d'onglet

**⚠ ATTENTION :** Après avoir modifié l'angle de coupe d'onglet, fixez toujours le socle rotatif en serrant le manche à fond.

**REMARQUE :** Lorsque vous tournez le socle rotatif, veillez à relever complètement la poignée.

Tournez le manche dans le sens inverse des aiguilles d'une montre pour déverrouiller le socle rotatif. Tournez le manche tout en maintenant levé le levier de verrouillage pour déplacer le socle rotatif. Alignez l'index avec l'angle souhaité sur la graduation d'angles de coupe d'onglet, puis serrez le manche.

► Fig.18: 1. Levier de verrouillage 2. Manche 3. Index

## Fonction de butée fixe

Cette scie radiale utilise la fonction de butée fixe. Vous pouvez régler rapidement les angles de coupe d'onglet droit/gauche à 0°, 15°, 22,5°, 31,6° et 45°. Pour utiliser cette fonction, approchez le socle rotatif de l'angle de butée fixe souhaité tout en maintenant levé le levier de verrouillage. Puis dégagez le levier de verrouillage et déplacez le socle rotatif vers l'angle de butée fixe souhaité jusqu'à ce que le socle rotatif soit verrouillé.

## Réglage de l'angle de coupe en biseau

**⚠ ATTENTION :** Après avoir modifié l'angle de coupe en biseau, fixez toujours le bras en serrant le levier dans le sens des aiguilles d'une montre.

**REMARQUE :** Retirez toujours l'étau vertical avant de régler l'angle de coupe en biseau.

**REMARQUE :** Quand vous inclinez la lame de scie circulaire, assurez-vous que le chariot est complètement relevé.

**REMARQUE :** Lorsque vous changez d'angle de coupe en biseau, veillez à replacer les plateaux de découpe correctement comme expliqué dans la section sur le positionnement des plateaux de découpe.

**REMARQUE :** Ne serrez pas le levier trop fort. Vous risqueriez de provoquer un dysfonctionnement du mécanisme de verrouillage de l'angle de coupe en biseau.

## Inclinaison de la lame de scie circulaire vers la gauche 0° - 45°

1. Tournez le levier dans le sens inverse des aiguilles d'une montre.
  2. Tenez la poignée et inclinez le chariot vers la gauche.
  3. Alignez l'index avec l'angle souhaité dans la graduation d'angles de coupe en biseau.
  4. Resserrez le levier en le tournant dans le sens des aiguilles d'une montre pour fixer le bras.
- **Fig.19:** 1. Levier 2. Poignée 3. Index 4. Graduation d'angles de coupe en biseau

## Inclinaison de la lame de scie circulaire au-delà de la gauche 0° - 45°

1. Tournez le levier dans le sens inverse des aiguilles d'une montre.
2. Tenez la poignée et réglez le chariot à 0° pour le côté droit 2° ou à 45° pour le côté gauche 47°.
3. Inclinez légèrement le chariot vers le côté opposé.
4. Poussez le bouton de libération.
5. Inclinez le chariot sur la position souhaitée au-delà de la plage comprise entre 0° et 45°.
6. Resserrez le levier en le tournant dans le sens des aiguilles d'une montre pour fixer le bras.

Lors de l'inclinaison du chariot vers la droite 2°

- **Fig.20:** 1. Levier 2. Poignée 3. Bouton de libération

Lors de l'inclinaison du chariot vers la gauche 47°

- **Fig.21:** 1. Levier 2. Poignée 3. Bouton de libération

## Interrupteur

**AVERTISSEMENT :** Avant de brancher l'outil, assurez-vous toujours que la gâchette fonctionne correctement et revient en position d'arrêt une fois relâchée. Évitez d'appuyer sur la gâchette avec force lorsque le bouton de sécurité n'est pas enfoncé. Vous risqueriez de briser l'interrupteur. L'utilisation d'un outil dont l'interrupteur est défectueux comporte un risque de perte de contrôle et de graves blessures.

**AVERTISSEMENT :** N'utilisez JAMAIS un outil dont le fonctionnement de la gâchette est défectueux. Tout outil dont la gâchette est défectueuse est EXTRÊMEMENT DANGEREUX et doit être réparé avant toute nouvelle utilisation, autrement cela présente un risque de graves blessures.

**AVERTISSEMENT :** NE bloquez JAMAIS le bouton de sécurité avec du ruban ou de toute autre manière. Une gâchette dont le bouton de sécurité est bloqué comporte un risque d'activation accidentelle pouvant entraîner de graves blessures.

**AVERTISSEMENT :** N'utilisez JAMAIS l'outil s'il se met en marche lorsque vous enclenchez simplement la gâchette sans avoir enfoncé le bouton de sécurité. Une gâchette devant être réparée comporte un risque d'activation accidentelle pouvant entraîner de graves blessures. Confiez l'outil à un centre d'entretien Makita pour le faire réparer AVANT de poursuivre l'utilisation.

Pour éviter tout déclenchement accidentel de la gâchette, l'outil est muni d'un bouton de sécurité. Pour démarrer l'outil, enfoncez le bouton de sécurité puis appuyez sur la gâchette. Pour l'arrêter, relâchez la gâchette.

Un orifice a été prévu sur la gâchette pour insérer un cadenas afin de verrouiller l'outil.

- **Fig.22:** 1. Gâchette 2. Bouton de sécurité 3. Orifice pour cadenas

**AVERTISSEMENT :** N'utilisez pas un cadenas dont la tige ou le câble a un diamètre inférieur à 6,35 mm. Une tige ou un câble plus mince risquerait de ne pas verrouiller correctement l'outil en position d'arrêt, ce qui comporte un risque d'activation accidentelle pouvant entraîner de graves blessures.

## Projection d'une ligne de coupe

**ATTENTION :** La lampe n'est pas étanche à la pluie. Ne lavez pas la lampe avec de l'eau, et ne l'utilisez sous la pluie ou dans un endroit mouillé. Une telle action pourrait provoquer une décharge électrique et de la fumée.

**ATTENTION :** Ne touchez pas la lentille de la lampe, car elle est très chaude lorsqu'elle est allumée ou juste après l'avoir éteinte. Vous risqueriez de vous brûler.

**ATTENTION :** N'exercez aucun impact sur la lampe sous peine de l'endommager ou de réduire sa durée de service.

**ATTENTION :** Évitez de regarder directement le faisceau lumineux ou sa source.

La lampe LED projette une lumière sur la lame de scie circulaire tandis qu'une ombre de la lame de scie est projetée sur une pièce servant d'indicateur de ligne de coupe sans étalonnage. Appuyez sur l'interrupteur de la lampe pour éclairer. Apparaît alors une ligne sur laquelle la lame de scie rencontre la surface de la pièce, s'approfondissant au fur et à mesure de l'abaissement de la lame de scie.

- **Fig.23:** 1. Interrupteur de la lampe 2. Lampe 3. Ligne de coupe

L'indicateur aide à découper une ligne de découpe existante tracée au crayon sur une pièce.

1. Tenez la poignée et abaissez la lame de scie circulaire de sorte qu'une ombre dense de la lame de scie soit projetée contre une pièce.
2. Alignez une ligne de découpe tracée sur la pièce avec la ligne de coupe sous l'ombre.
3. Ajustez les angles de coupe d'onglet et les angles de coupe en biseau si nécessaire.

**NOTE :** Veillez à éteindre la lampe avec son interrupteur après utilisation. Autrement, la lampe est toujours chaude.

# ASSEMBLAGE

**⚠ AVERTISSEMENT :** Avant toute intervention sur l'outil, assurez-vous toujours que l'outil est hors tension et débranché. Si vous ne mettez pas l'outil hors tension et ne le débranchez pas, cela présente un risque de graves blessures.

## Rangement de la clé hexagonale

Lorsque vous n'utilisez pas la clé hexagonale, rangez-la tel qu'indiqué sur l'illustration pour éviter de la perdre.

► **Fig.24:** 1. Clé hexagonale

## Pose et dépose de la lame de scie circulaire

**⚠ AVERTISSEMENT :** Avant de déposer et de poser la lame de scie circulaire, veillez à ce que l'outil soit toujours hors tension et débranché. Le démarrage accidentel de l'outil peut entraîner de graves blessures.

**⚠ AVERTISSEMENT :** Utilisez exclusivement la clé Makita fournie pour déposer ou poser la lame de scie circulaire. Si vous n'utilisez pas la clé, le boulon à tête cylindrique à six pans creux risque d'être trop ou pas assez serré, ce qui pourrait entraîner de graves blessures.

**⚠ AVERTISSEMENT :** N'utilisez jamais des pièces qui ne sont pas fournies avec cet outil même en remplacement. Vous risqueriez de vous blesser grièvement.

**⚠ AVERTISSEMENT :** Après avoir installé la lame de scie circulaire, assurez-vous toujours qu'elle est solidement installée. Une lame de scie circulaire mal serrée peut entraîner de graves blessures corporelles.

## Préparatifs communs pour la pose et la dépose de la lame de scie circulaire

1. Déverrouillez le chariot en tirant la broche d'arrêt, puis déplacez le chariot sur la position relevée.
2. Desserrez le boulon à tête cylindrique à six pans creux maintenant le capot central au moyen de la clé hexagonale. Soulevez ensuite le protecteur de lame et le capot central.  
► **Fig.25:** 1. Clé hexagonale 2. Boulon à tête cylindrique à six pans creux 3. Capot central 4. Protecteur de lame

## Pose de la lame de scie circulaire

**⚠ ATTENTION :** Assurez-vous de poser la lame de scie circulaire de sorte que le sens de la flèche sur la lame de scie circulaire corresponde à celui sur le porte-lame. Autrement, vous risquez de vous blesser et d'abîmer l'outil et/ou la pièce à travailler.

1. Effectuez les opérations des étapes dans « Préparatifs communs pour la pose et la dépose de la lame de scie circulaire ».

2. Appuyez sur le blocage de l'arbre pour verrouiller l'axe et desserrez le boulon à tête cylindrique à six pans creux à l'aide de la clé hexagonale, en tournant vers la droite. Retirez ensuite le boulon à tête cylindrique à six pans creux, le flasque extérieur et la lame de scie circulaire.

► **Fig.26:** 1. Boulon à tête cylindrique à six pans creux (filetage à gauche) 2. Flasque extérieur 3. Blocage de l'arbre

3. Montez la lame de scie circulaire avec soin sur le flasque intérieur. Assurez-vous que le sens de la flèche sur la lame de scie circulaire correspond au sens de la flèche sur le porte-lame.

► **Fig.27:** 1. Flèche

4. Installez le flasque extérieur et le boulon à tête cylindrique à six pans creux. Serrez solidement le boulon à tête cylindrique à six pans creux (filetage à gauche) dans le sens inverse des aiguilles d'une montre au moyen de la clé hexagonale tout en enfonçant le blocage de l'arbre.

► **Fig.28:** 1. Boulon à tête cylindrique à six pans creux (filetage à gauche) 2. Flasque extérieur 3. Lame de scie circulaire 4. Anneau 5. Flasque intérieur 6. Axe

► **Fig.29:** 1. Boulon à tête cylindrique à six pans creux (filetage à gauche) 2. Flasque extérieur 3. Blocage de l'arbre

5. Remettez le protecteur de lame et le capot central en position initiale. Serrez ensuite le boulon à tête cylindrique à six pans creux du capot central pour le fixer.

Abaissez le chariot et vérifiez que le protecteur de lame se déplace adéquatement.

► **Fig.30:** 1. Clé hexagonale 2. Boulon à tête cylindrique à six pans creux 3. Capot central 4. Protecteur de lame

## Retrait de la lame de scie circulaire

1. Effectuez les opérations des étapes dans « Préparatifs communs pour la pose et la dépose de la lame de scie circulaire ».
2. Appuyez sur le blocage de l'arbre pour verrouiller l'axe. Desserrez le boulon à tête cylindrique à six pans creux dans le sens des aiguilles d'une montre au moyen de la clé hexagonale. Retirez ensuite le boulon à tête cylindrique à six pans creux, le flasque extérieur et la lame de scie circulaire.

► **Fig.31:** 1. Boulon à tête cylindrique à six pans creux (filetage à gauche) 2. Flasque extérieur 3. Blocage de l'arbre

3. Si le flasque intérieur a été retiré, posez-le sur l'axe avec la pièce de fixation de la lame tournée vers la lame de scie circulaire. Si le flasque n'est pas posé correctement, il frottera contre la machine.

► **Fig.32:** 1. Boulon à tête cylindrique à six pans creux (filetage à gauche) 2. Flasque extérieur 3. Lame de scie circulaire 4. Anneau 5. Flasque intérieur 6. Axe

**REMARQUE :** Veillez à ne pas perdre le flasque extérieur et le boulon à tête cylindrique à six pans creux déposés.

## Raccordement à un aspirateur

Pour effectuer une opération de coupe propre, raccordez un aspirateur Makita.

**REMARQUE :** Selon le type d'aspirateur et de tuyau utilisés, l'orifice de collecte de la poussière peut être bloqué par le protecteur de collecte de la poussière, rendant impossible la collecte de la poussière. Le cas échéant, diminuez la puissance d'aspiration de l'aspirateur.

► Fig.33: 1. Protecteur de collecte de la poussière

## Sac à poussière

**ATTENTION :** Lors d'une coupe, fixez toujours le sac à poussière ou raccordez un aspirateur afin d'éviter les risques liés à la poussière.

L'utilisation du sac à poussière garantit une coupe propre et facilite la collecte de la poussière. Pour fixer le sac à poussière, raccordez le sac à poussière au raccord à poussière.

► Fig.34: 1. Sac à poussière 2. Raccord à poussière

Lorsque le sac à poussière est environ à moitié plein, retirez-le de l'outil et tirez sur la barrette. Videz le sac à poussière en le tapotant légèrement pour retirer les particules qui adhèrent à sa surface intérieure et risqueraient de faire obstacle à la collecte de la poussière par la suite.

► Fig.35: 1. Barrette

## Fixation de la pièce de travail

**AVERTISSEMENT :** Il est très important de toujours immobiliser fermement la pièce à travailler au moyen d'un étau d'un type adéquat.

Autrement, vous risquez de gravement vous blesser et d'abîmer l'outil et/ou la pièce à travailler.

**AVERTISSEMENT :** Après une opération de coupe, ne soulevez pas la lame de scie tant qu'elle n'est pas complètement arrêtée. Vous risquez de gravement vous blesser et d'abîmer la pièce si vous soulevez la lame de scie alors qu'elle tourne encore.

**AVERTISSEMENT :** Lorsque vous coupez une pièce plus longue que la base du support de la scie radiale, la pièce doit être soutenue sur toute sa longueur au-delà de la base du support et au même niveau pour la maintenir à plat. Une pièce bien soutenue réduit les risques de coincements de la lame de scie et de chocs en retour, qui peuvent entraîner de graves blessures. Ne vous fiez pas uniquement à un étau vertical pour immobiliser la pièce. Les matériaux minces ont tendance à s'affaisser. Soutenez la pièce sur toute sa longueur, pour éviter que la lame de scie ne se coince et provoque un éventuel CHOC EN RETOUR.

► Fig.36: 1. Support 2. Socle rotatif

## Guides

**AVERTISSEMENT :** Avant d'utiliser l'outil, assurez-vous que le guide coulissant est fixé solidement avec la vis de serrage.

**AVERTISSEMENT :** Avant la coupe en biseau, assurez-vous qu'aucune partie de l'outil, particulièrement la lame de scie circulaire, n'entre en contact avec les guides lors de l'abaissement et du soulèvement complets de la poignée sur n'importe quelle position et pendant le déplacement du chariot sur toute sa course. Si l'outil ou la lame de scie circulaire entre en contact avec le guide, cela peut provoquer un choc en retour ou le déplacement inattendu de la pièce et de graves blessures.

Cet outil est équipé d'un guide coulissant. Lorsque vous effectuez des coupes en biseau vers la gauche, desserrez la vis de serrage et déplacez le guide coulissant de sorte qu'il n'entrave pas le mouvement du chariot. Fixez le guide coulissant en serrant la vis de serrage.

► Fig.37: 1. Guide coulissant 2. Guide 3. Vis de serrage

## Étau vertical

**AVERTISSEMENT :** La pièce doit être fixée fermement sur le socle rotatif et le guide avec l'étau pendant toutes les opérations. Si la pièce n'est pas correctement fixée contre le guide, elle peut bouger pendant l'opération de coupe endommageant potentiellement la lame de scie, provoquant la projection de la pièce et la perte de contrôle, ce qui présente un risque de graves blessures.

L'étau vertical peut être installé dans les orifices sur le côté gauche du socle, sur le côté droit du socle ou sur le côté gauche du socle secondaire.

Appuyez la pièce à plat contre le guide et le socle rotatif. Placez la pièce sur la position de coupe désirée et maintenez-la en place en serrant à fond la poignée de l'étau.

Assurez-vous qu'aucune partie de l'outil n'entre en contact avec l'étau vertical lorsque vous abaissez complètement la poignée. Si une quelconque partie de l'outil entre en contact avec l'étau vertical, modifiez son emplacement.

► Fig.38: 1. Orifice 2. Poignée de l'étau

## Socle secondaire

**AVERTISSEMENT :** Soutenez toujours une pièce de grande longueur de sorte qu'elle se trouve au même niveau que la surface supérieure du socle rotatif pour effectuer une coupe de précision et prévenir la perte de contrôle de l'outil.

Une pièce bien soutenue réduit les risques de coincements de la lame et de chocs en retour, qui peuvent entraîner de graves blessures.

**AVERTISSEMENT :** Avant la coupe, veillez toujours à ce que les socles secondaires soient fixés en place avec les vis à oreilles.

Pour soutenir horizontalement les longues pièces, des socles secondaires sont prévus de chaque côté de l'outil. Desserrez les vis à oreilles et étendez les socles secondaires à la longueur appropriée pour soutenir la pièce. Serrez ensuite les vis à oreille.

► **Fig.39:** 1. Socle secondaire 2. Vis à oreilles

Lors de la découpe, posez la pièce à plat contre les guides.

► **Fig.40:** 1. Guide 2. Socle secondaire

## UTILISATION

Cet outil est conçu pour couper des produits en bois. Si vous utilisez des lames de scie de marque Makita appropriées, vous pouvez également scier les matériaux suivants :

— Produits en aluminium

Consultez notre site Web ou contactez votre revendeur Makita local pour connaître les bonnes lames de scie circulaire à utiliser selon le matériau à couper.

**⚠ AVERTISSEMENT :** Avant de mettre l'outil sous tension, assurez-vous que la lame de scie ne touche pas la pièce, etc. Il y a un risque de choc en retour et de graves blessures si vous mettez l'outil sous tension alors que la lame de scie est en contact avec la pièce à travailler.

**⚠ AVERTISSEMENT :** Après une opération de coupe, ne soulevez pas la lame de scie tant qu'elle n'est pas complètement arrêtée. Vous risquez de gravement vous blesser et d'abîmer la pièce si vous soulevez la lame de scie alors qu'elle tourne encore.

**⚠ AVERTISSEMENT :** Ne procédez à aucun réglage comme tourner la manivelle et les leviers sur l'outil pendant la rotation de la lame de scie. Tout réglage pendant la rotation de la lame de scie présente un risque de graves blessures.

**⚠ ATTENTION :** Ne relâchez pas la tête de scie incontrôlée de la position complètement abaissée. Une tête de scie incontrôlée peut vous frapper et vous blesser.

**REMARQUE :** Avant utilisation, veillez à déverrouiller la broche d'arrêt et à dégager la poignée de la position abaissée.

**REMARQUE :** Pendant la coupe, n'appliquez pas une pression excessive sur la poignée. Une force excessive risquerait de provoquer une surcharge du moteur et/ou une diminution de la capacité de coupe. Appuyez sur la poignée en appliquant uniquement la force nécessaire pour obtenir une coupe en douceur sans diminuer de façon significative la vitesse de la lame.

**REMARQUE :** Appuyez doucement sur la poignée pour effectuer la coupe. Si vous appuyez trop fort sur la poignée ou appuyez latéralement, la lame de scie risque de vibrer et de laisser une marque (marque de sciage) sur la pièce ; la précision de coupe sera également affectée.

**REMARQUE :** Lors d'une coupe en glissière, poussez doucement le chariot vers le guide, sans arrêter. Si le mouvement du chariot est arrêté pendant la coupe, cela risque de laisser une marque sur la pièce et la précision de la coupe pourrait en souffrir.

## Coupe sous presse

**⚠ AVERTISSEMENT :** Verrouillez toujours le mouvement de coulissement du chariot lorsque vous effectuez une coupe sous presse. Couper sans verrouiller peut provoquer un choc en retour, ce qui présente un risque de graves blessures.

Vous pouvez couper des pièces pouvant atteindre 65 mm de haut et 80 mm de large, en procédant comme suit.

1. Poussez le chariot vers le guide jusqu'à ce qu'il s'arrête et verrouillez-le avec la vis à oreilles.
2. Immobilisez la pièce à travailler avec un étau du bon type.
3. Mettez l'outil en marche alors que la lame de scie circulaire ne touche à rien et attendez qu'elle ait atteint sa pleine vitesse avant de l'abaisser.
4. Abaissez doucement la poignée sur la position la plus basse pour couper la pièce.

5. Lorsque la coupe est terminée, mettez l'outil hors tension et attendez que la lame de scie circulaire se soit complètement arrêtée avant de ramener la lame de scie circulaire en position complètement relevée.

► **Fig.41:** 1. Vis à oreilles

## Coupe en glissière (poussée) (coupe de grandes pièces)

**⚠ AVERTISSEMENT :** Chaque fois que vous effectuez une coupe en glissière, tirez d'abord le chariot complètement vers vous et abaissez complètement la poignée, puis poussez le chariot vers le guide. Ne commencez jamais la coupe alors que le chariot n'est pas complètement tiré vers vous. Si vous effectuez une coupe en glissière sans avoir tiré complètement le chariot vers vous, il se peut que la lame effectue un soudain choc en retour pouvant entraîner de graves blessures.

**⚠ AVERTISSEMENT :** N'essayez jamais d'effectuer une coupe en glissière en tirant le chariot vers vous. Si vous tirez le chariot vers vous pendant la coupe, il se peut que la lame effectue un soudain choc en retour pouvant entraîner de graves blessures.

**⚠ AVERTISSEMENT :** N'effectuez jamais une coupe en glissière alors que la poignée a été verrouillée en position abaissée.

1. Desserrez la vis à oreilles de sorte que le chariot puisse coulisser librement.
2. Immobilisez la pièce à travailler avec un étau du bon type.
3. Tirez complètement le chariot vers vous.
4. Mettez l'outil sous tension alors que la lame de scie circulaire ne touche à rien et attendez qu'elle ait atteint sa pleine vitesse.
5. Appuyez sur la poignée et poussez le chariot vers le guide et tout au long de la pièce.
6. Lorsque la coupe est terminée, mettez l'outil hors tension et attendez que la lame de scie se soit complètement arrêtée avant de ramener la lame de scie en position complètement relevée.

► **Fig.42:** 1. Vis à oreilles



## Coupe d'onglet

Reportez-vous à la section de réglage de l'angle de coupe d'onglet.

## Coupe en biseau

**⚠ AVERTISSEMENT :** Après avoir réglé la lame de scie pour une coupe en biseau, assurez-vous que le chariot et la lame de scie pourront se déplacer librement sur toute l'étendue prévue pour la coupe avant d'utiliser l'outil. L'interruption du chariot ou de la lame de scie en cours de déplacement lors de la coupe peut causer un choc en retour et entraîner de graves blessures.

**⚠ AVERTISSEMENT :** Lors de l'exécution d'une coupe en biseau, gardez les mains hors de la trajectoire de la lame de scie. L'angle de la lame de scie peut induire l'utilisateur en erreur concernant la véritable trajectoire de la lame de scie pendant la coupe, ce qui comporte un risque de graves blessures au contact de la lame de scie.

**⚠ AVERTISSEMENT :** La lame de scie ne doit être soulevée qu'une fois complètement arrêtée. Lors d'une coupe en biseau, il se peut que la partie coupée de la pièce vienne s'appuyer contre la lame de scie. Si vous soulevez la lame de scie alors qu'elle tourne encore, la partie coupée de la pièce risquera d'être éjectée par la lame de scie, et ce fragment éjecté peut provoquer de graves blessures.

**REMARQUE :** En appuyant sur la poignée, exercez une pression en parallèle à la lame de scie. Si vous appuyez perpendiculairement au socle rotatif, ou si la pression change de sens pendant la coupe, la précision de coupe en souffrira.

1. Placez le guide coulissant sur la gauche afin d'empêcher le chariot de le toucher.
2. Déverrouillez la broche d'arrêt et desserrez la vis à oreilles sur le bras de sorte que le chariot puisse être soulevé et coulissé librement.
3. Ajustez l'angle de coupe en biseau selon la procédure expliquée dans la section de réglage de l'angle de coupe en biseau. Puis serrez le manche.
4. Assurez la pièce avec un étau.
5. Tirez complètement le chariot vers vous.
6. Mettez l'outil sous tension alors que la lame de scie circulaire ne touche à rien et attendez qu'elle ait atteint sa pleine vitesse.
7. Abaissez doucement la poignée sur la position la plus basse tout en appliquant une pression parallèle à la lame de scie circulaire et **poussez le chariot vers le guide pour couper la pièce.**
8. Lorsque la coupe est terminée, mettez l'outil hors tension et attendez que la lame de scie circulaire se soit complètement arrêtée avant de ramener la lame de scie en position complètement relevée.

► Fig.43

## Coupe mixte

La coupe mixte consiste à appliquer un angle de coupe en biseau tout en effectuant une coupe d'onglet sur une pièce. La coupe mixte est possible à l'angle indiqué dans le tableau.

Angle de coupe d'onglet	Angle de coupe en biseau
Gauche et droite 0° - 45°	Gauche 0° - 45°

Lors de la coupe mixte, consultez la section de la coupe sous presse, de la coupe en glissière (poussée), de la coupe d'onglet et de la coupe en biseau.

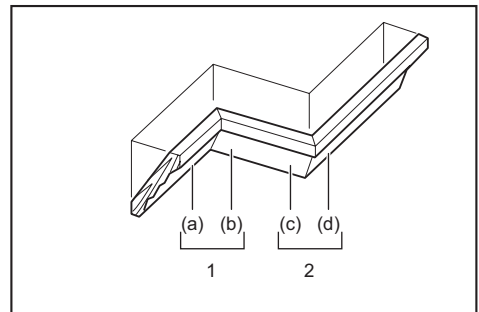
## Coupe de moulures couronnées et concaves

Les moulures couronnées et concaves peuvent être coupées avec une scie radiale combinée, en les déposant sur le socle rotatif.

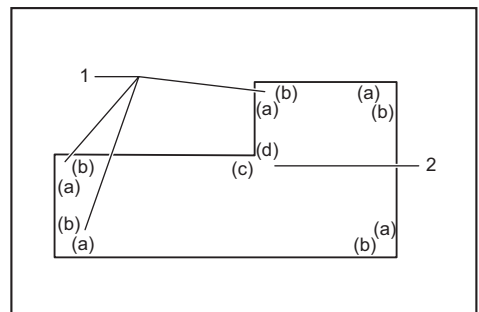
Il existe deux types courants de moulures couronnées et un type de moulure concave, à savoir : les moulures couronnées pour angles de murs respectifs de 52/38° et 45°, et les moulures concaves pour angle de mur de 45°.

- Fig.44:
1. Moulure couronnée du type 52/38°
  2. Moulure couronnée du type 45°
  3. Moulure concave du type 45°

Il existe des joints de moulures couronnées et concaves qui s'adaptent aux coins « intérieurs » de 90° ((a) et (b) sur la figure), et aux coins « extérieurs » de 90° ((c) et (d) sur la figure).



1. Coin intérieur 2. Coin extérieur



1. Coin intérieur 2. Coin extérieur

## Mesure

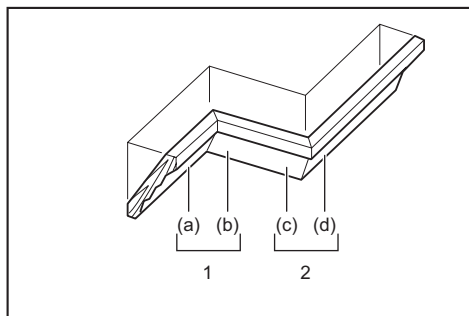
Mesurez la largeur du mur et ajustez la largeur de la pièce conformément. Assurez-vous toujours que la largeur du bord de contact avec le mur de la pièce est identique à la longueur du mur.

► **Fig.45:** 1. Pièce 2. Largeur du mur 3. Largeur de la pièce 4. Bord de contact avec le mur

Vérifiez toujours les angles de coupe de la scie en effectuant des tests sur quelques morceaux.

Pour couper des moulures couronnées et concaves, réglez l'angle de coupe en biseau et l'angle de coupe d'onglet tel qu'indiqué dans le tableau (A), et placez les moulures sur la face supérieure du socle de la scie, tel qu'indiqué dans le tableau (B).

## Dans le cas d'une coupe en biseau sur la gauche



1. Coin intérieur 2. Coin extérieur

Tableau (A)

-	Position de moulure sur la figure	Angle de coupe en biseau		Angle de coupe d'onglet	
		Type 52/38°	Type 45°	Type 52/38°	Type 45°
Pour coin intérieur	(a)	Gauche 33,9°	Gauche 30°	Droite 31,6°	Droite 35,3°
	(b)			Gauche 31,6°	Gauche 35,3°
Pour coin extérieur	(c)			Droite 31,6°	Droite 35,3°
	(d)				

Tableau (B)

-	Position de moulure sur la figure	Bord de moulure contre le guide	Partie de la pièce à utiliser
Pour coin intérieur	(a)	Le bord de contact avec le plafond doit être contre le guide.	La partie de la pièce à utiliser sera du côté gauche de la lame de scie circulaire.
	(b)	Le bord de contact avec le mur doit être contre le guide.	La partie de la pièce à utiliser sera du côté droit de la lame de scie circulaire.
Pour coin extérieur	(c)	Le bord de contact avec le plafond doit être contre le guide.	
	(d)	Le bord de contact avec le plafond doit être contre le guide.	

Exemple :

Dans le cas d'une coupe de moulure couronnée du type 52/38° pour la position (a) sur la figure ci-dessus :

- Réglez l'angle de coupe en biseau et immobilisez-le sur 33,9° vers la GAUCHE.
- Réglez l'angle de coupe d'onglet et immobilisez-le sur 31,6° vers la DROITE.
- Déposez sur le socle rotatif la moulure couronnée, face arrière large (cachée) orientée vers le bas, et en plaçant le BORD DE CONTACT AVEC LE PLAFOND contre le guide de la scie.
- La partie de la pièce à utiliser doit toujours être du côté GAUCHE de la lame de scie circulaire une fois la coupe terminée.

## Coupe d'aluminium extrudé

Pour immobiliser des pièces en aluminium extrudé, utilisez des blocs espaceurs ou des morceaux de ferraille comme illustré sur la figure pour éviter une déformation de l'aluminium. Utilisez un lubrifiant de coupe pour couper de l'aluminium extrudé afin d'éviter l'accumulation de matériau en aluminium sur la lame de scie circulaire.

**AVERTISSEMENT :** N'essayez jamais de couper des morceaux épais ou arrondis d'aluminium extrudé. Les morceaux épais ou arrondis d'aluminium extrudé peuvent être difficiles à maintenir en place et la pièce peut se desserrer pendant l'opération de coupe, ce qui peut provoquer une perte de contrôle et de graves blessures.

► **Fig.46:** 1. Étau 2. Bloc espaceur 3. Guide 4. Aluminium extrudé 5. Bloc espaceur

## Coupes répétées de longueur identique

Pour couper plusieurs morceaux de matériau à la même longueur, qui peut être comprise entre 225 mm et 350 mm, soulevez la plaque de fixation comme illustré sur la figure.

Fixez la pièce sur la position de coupe. Faites coulisser le socle secondaire droit de sorte que la plaque de fixation soit au ras de l'extrémité de la pièce. Fixez ensuite le socle secondaire avec la vis à oreilles.

► **Fig.47:** 1. Plaque de fixation 2. Vis à oreilles

## Rainurage

**AVERTISSEMENT :** Ne tentez pas d'effectuer ce type de coupe au moyen d'une lame plus large ou d'une lame à rainer. La coupe risque de donner des résultats décevants si vous tentez d'effectuer le rainurage avec une lame plus large ou une lame à rainer, et il y a risque de choc en retour pouvant provoquer de graves blessures.

**AVERTISSEMENT :** Assurez-vous d'avoir remis le bras de blocage en position initiale avant d'effectuer un autre type de coupe que le rainurage. La coupe risque de donner des résultats décevants si vous tentez de l'effectuer avec le bras de blocage en position incorrecte, et il y a risque de choc en retour pouvant provoquer de graves blessures.



Des rainures peuvent être effectuées en procédant comme suit :

1. Ajustez la position limite inférieure de la lame de scie circulaire au moyen de la vis de réglage et du bras de blocage pour limiter la profondeur de coupe de la lame de scie circulaire. Consultez la section sur le bras de blocage.
2. Après avoir ajusté la position limite inférieure de la lame de scie circulaire, coupez des rainures parallèles sur la largeur de la pièce, en procédant par coupe en glissière (poussée).  
► **Fig.48:** 1. Couper des rainures avec la lame de scie
3. Retirez le matériau de la pièce entre les rainures, au moyen d'un ciseau.

## Transport de l'outil

Avant de transporter l'outil, assurez-vous que l'outil est débranché et que toutes les pièces mobiles de l'outil sont maintenues en place. Vérifiez toujours les points suivants :

- L'outil est débranché.
- Le chariot est à un angle de coupe en biseau de 0° et fixé.
- Le chariot est abaissé et verrouillé.
- Le chariot est complètement couléssé vers vous et verrouillé.
- Le socle rotatif est dans la position d'angle de coupe d'onglet complètement à droite et fixé.

Transportez l'outil en tenant la poignée de transport et un côté du socle de l'outil ou en tenant les deux côtés du socle de l'outil.

► **Fig.49**

► **Fig.50**

**⚠AVERTISSEMENT :** La broche d'arrêt pour le soulèvement du chariot sert à des fins de transport, de rangement et de réglage uniquement et pas pour les opérations de coupe. L'utilisation de la broche d'arrêt pour les opérations de coupe peut causer le déplacement inattendu de la lame de scie circulaire et provoquer un choc en retour et de graves blessures.

**⚠ATTENTION :** Immobilisez toujours toutes les pièces mobiles de l'outil avant de le transporter. Si des pièces de l'outil bougent ou glissent pendant que vous le transportez, vous risquerez d'en perdre le contrôle ou de perdre l'équilibre, ce qui comporte un risque de blessure.

**⚠ATTENTION :** Veillez à ce que l'élévation du chariot soit correctement verrouillée à sa base par la broche d'arrêt. Si la broche d'arrêt est mal engagée, le chariot risque de se dégager soudainement et de provoquer des blessures.

## ENTRETIEN

**⚠AVERTISSEMENT :** Assurez-vous toujours que l'outil est hors tension et débranché avant d'y effectuer tout travail d'inspection ou d'entretien.

Si vous ne mettez pas l'outil hors tension et ne le débranchez pas, cela présente un risque de graves blessures en cas de démarrage accidentel.

**⚠AVERTISSEMENT :** Pour obtenir de l'outil une performance optimale et une sécurité maximale, assurez-vous toujours que la lame de scie est affûtée et propre. Si vous tentez d'effectuer la coupe avec une lame de scie émoussée et/ou sale, cela présente un risque de choc en retour et de graves blessures.

**REMARQUE :** N'utilisez jamais d'essence, benzine, diluant, alcool ou autre produit similaire. Cela risquerait de provoquer la décoloration, la déformation ou la fissuration de l'outil.

Pour assurer la SÉCURITÉ et la FIABILITÉ du produit, toute réparation, tout travail d'entretien ou de réglage doivent être effectués par un centre d'entretien Makita agréé, avec des pièces de rechange Makita.

## Réglage de l'angle de coupe

L'outil a été soigneusement réglé et aligné en usine, mais une manipulation maladroite a pu dérégler l'alignement. Si l'outil n'est pas aligné correctement, effectuez les opérations suivantes :

### Angle de coupe d'onglet

1. Verrouillez le chariot sur la position abaissée par la broche d'arrêt. Poussez le chariot vers le guide, puis serrez la vis à oreilles pour fixer le chariot.
2. Réglez le socle rotatif sur la position 0° au moyen de la fonction de butée fixe. (Laissez-le tel quel si l'index n'indique pas 0°.)
3. Avec la clé hexagonale, desserrez les boulons à tête cylindrique à six pans creux qui retiennent le guide.  
► **Fig.51:** 1. Broche d'arrêt 2. Vis à oreilles 3. Boulons à tête cylindrique à six pans creux
4. Redressez le côté de la lame de scie avec la face du guide à l'aide d'une règle triangulaire ou d'une équerre de menuisier. Serrez ensuite fermement les boulons à tête cylindrique à six pans creux sur le guide en ordre à partir du côté droit.  
► **Fig.52:** 1. Guide 2. Règle triangulaire
5. Si l'index n'indique pas 0°, desserrez la vis qui retient l'index et réglez ce dernier de sorte qu'il indique 0°.  
► **Fig.53:** 1. Vis 2. Index 3. Graduation d'onglet

## Angle de coupe en biseau

### Angle de coupe en biseau 0°

1. Verrouillez le chariot sur la position abaissée par la broche d'arrêt. Poussez le chariot vers le guide, puis serrez la vis à oreilles pour fixer le chariot.

2. Desserrez le levier. Tournez ensuite le boulon de réglage à 0° de deux ou trois tours dans le sens inverse des aiguilles d'une montre pour incliner la lame de scie circulaire vers la droite.

► **Fig.54:** 1. Levier 2. Boulon de réglage à 0°

3. Redressez soigneusement le côté de la lame de scie avec la surface supérieure du socle rotatif à l'aide d'une règle triangulaire, d'une équerre de menuisier, etc. en tournant le boulon de réglage à 0° dans le sens des aiguilles d'une montre. Serrez ensuite fermement le levier pour fixer l'angle de 0° que vous avez réglé.

► **Fig.55:** 1. Règle triangulaire 2. Lame de scie  
3. Surface supérieure du socle rotatif

4. Si l'index n'indique pas 0°, desserrez la vis qui retient l'index et réglez ce dernier de sorte qu'il indique 0°.

► **Fig.56:** 1. Vis 2. Index 3. Échelle

### Angle de coupe en biseau 45°

**REMARQUE :** Avant de régler l'angle de coupe en biseau de 45°, terminez le réglage de l'angle de coupe en biseau de 0°.

1. Serrez la vis à oreilles pour maintenir en place le chariot.

2. Desserrez le levier. Inclinez ensuite complètement le chariot vers la gauche.

► **Fig.57:** 1. Vis à oreilles 2. Levier

3. Vérifiez si l'index indique la position 45° sur la graduation d'angles de coupe en biseau.

Si l'index n'indique pas la position 45°, alignez-le sur la position 45° en tournant le boulon de réglage à 45°.

► **Fig.58:** 1. Boulon de réglage à 45°

## Remplacement d'un balai en carbone

Retirez et vérifiez régulièrement les balais en carbone. Remplacez-les lorsqu'ils sont usés jusqu'au trait du repère d'usure. Maintenez les balais en carbone propres et en état de glisser aisément dans les porte-charbons. Les deux balais en carbone doivent être remplacés en même temps. N'utilisez que des balais en carbone identiques.

► **Fig.59:** 1. Repère d'usure

Retirez les bouchons de porte-charbon à l'aide d'un tournevis. Enlevez les balais en carbone usés, insérez les neufs et revissez solidement les bouchons de porte-charbon.

► **Fig.60:** 1. Bouchon de porte-charbon

## Après l'utilisation

Après l'utilisation, essuyez les copeaux et poussières qui adhèrent à l'outil à l'aide d'un chiffon ou d'un objet similaire. Gardez le protecteur de lame propre, conformément aux instructions fournies dans la section précédente intitulée « Protecteur de lame ». Lubrifiez les parties coulissantes avec de l'huile machine pour prévenir la formation de rouille.

## ACCESSOIRES EN OPTION

**⚠ AVERTISSEMENT :** Les accessoires ou pièces supplémentaires Makita qui suivent sont recommandés pour l'utilisation avec l'outil Makita spécifié dans ce manuel. L'utilisation de tout autre accessoire ou pièce supplémentaire peut entraîner de graves blessures.

**⚠ AVERTISSEMENT :** Utilisez l'accessoire ou la pièce supplémentaire Makita uniquement dans le but spécifié. La mauvaise utilisation d'un accessoire ou d'une pièce supplémentaire peut entraîner de graves blessures.

Pour obtenir plus de détails sur ces accessoires, contactez votre centre d'entretien local Makita.

- Lame de scie en acier à dents de carbure
- Étau vertical
- Sac à poussière
- Règle triangulaire
- Clé hexagonale
- Jeu de supports

**NOTE :** Il se peut que certains éléments de la liste soient compris dans l'emballage de l'outil en tant qu'accessoires standard. Ils peuvent varier d'un pays à l'autre.

# TECHNISCHE DATEN

<b>Modell:</b>		<b>LS0816F</b>
Sägeblattdurchmesser		216 mm
Lochdurchmesser	Europäische Länder	30 mm
	Länder außerhalb Europas	25,4 mm oder 30 mm (länderspezifisch)
Max. Schnittfugenbreite des Sägeblatts		2,8 mm
Max. Gehrungswinkel		Links 47°, Rechts 47°
Max. Neigungswinkel		Links 47°, Rechts 2°
Leerlaufdrehzahl (U/min)		5.000 min <sup>-1</sup>
Abmessungen (L x B x H)		476 mm x 705 mm x 521 mm
Nettogewicht		13,9 kg
Sicherheitsklasse		II/III

- Wir behalten uns vor, Änderungen der technischen Daten im Zuge der Entwicklung und des technischen Fortschritts ohne vorherige Ankündigung vorzunehmen.
- Die technischen Daten können von Land zu Land unterschiedlich sein.
- Gewicht nach EPTA-Verfahren 01/2014

## Schnittleistung (H x B) mit ø 216-mm-Sägeblatt

Gehrungswinkel	Neigungswinkel		
	45° (links)	0°	2° (rechts)
0°	36 mm x 305 mm	65 mm x 305 mm	60 mm x 305 mm
45° (links und rechts)	36 mm x 215 mm	65 mm x 215 mm	-

## Symbole

Nachfolgend werden Symbole beschrieben, die für das Gerät verwendet werden können. Machen Sie sich unbedingt vor der Benutzung mit ihrer Bedeutung vertraut.

	Betriebsanleitung lesen.
	DOPPELTE ISOLIERUNG
	Schutzbrille tragen.
	Um Verletzungen durch herausgeschleuderte Teile zu vermeiden, halten Sie den Sägekopf nach Ausführung von Schnitten abgesehen, bis das Sägeblatt völlig zum Stillstand gekommen ist.
	Ziehen Sie den Schlitten zur Ausführung von Schiebeschnitten zunächst ganz vor, drücken Sie den Handgriff nach unten, und schieben Sie dann den Schlitten zum Gehrungsanschlag.
	Halten Sie Hände oder Finger vom Sägeblatt fern.



Stellen Sie die Gehrungsansläge ordnungsgemäß von Sägeblatt und Sägeblattschutzhaube entfernt ein.



Starren Sie nicht auf die Betriebslampe.



Nur für EU-Länder  
Aufgrund des Vorhandenseins gefährlicher Komponenten in der Ausrüstung können Elektro- und Elektronik-Altgeräte sich negativ auf die Umwelt und die menschliche Gesundheit auswirken. Entsorgen Sie Elektro- und Elektronikgeräte nicht mit dem Hausmüll! In Übereinstimmung mit der Europäischen Richtlinie über Elektro- und Elektronik-Altgeräte und ihrer Anpassung an nationales Recht sollten Elektro- und Elektronik-Altgeräte gemäß den Umweltschutzbestimmungen getrennt gesammelt und zu einer getrennten Sammelstelle für Siedlungsabfälle geliefert werden.  
Dies wird durch das am Gerät angebrachte Symbol der durchgestrichenen Abfalltonne auf Rädern angezeigt.

## Vorgesehene Verwendung

Das Werkzeug ist für genaue Gerad- und Gehrungsschnitte in Holz vorgesehen. Mit geeigneten Sägeblättern kann auch Aluminium gesägt werden. Einzelheiten dazu finden Sie im Abschnitt BETRIEB.

## Stromversorgung

Das Werkzeug sollte nur an eine Stromquelle angeschlossen werden, deren Spannung mit der Angabe auf dem Typenschild übereinstimmt, und kann nur mit Einphasen-Wechselstrom betrieben werden. Diese sind doppelt schutzisoliert und können daher auch an Steckdosen ohne Erdleiter verwendet werden.

## Geräusch

Typischer A-bewerteter Geräuschpegel ermittelt gemäß EN62841-3-9:

Schalldruckpegel ( $L_{pA}$ ): 91 dB (A)  
Schalleistungspegel ( $L_{WA}$ ): 102 dB (A)  
Messunsicherheit (K): 3 dB (A)

**HINWEIS:** Der (Die) angegebene(n) Schallemissionswert(e) wurde(n) im Einklang mit der Standardprüfmethode gemessen und kann (können) für den Vergleich zwischen Werkzeugen herangezogen werden.

**HINWEIS:** Der (Die) angegebene(n) Schallemissionswert(e) kann (können) auch für eine Vorbewertung des Gefährdungsgrads verwendet werden.

**⚠️ WARNUNG:** Einen Gehörschutz tragen.

**⚠️ WARNUNG:** Die Schallemission während der tatsächlichen Benutzung des Elektrowerkzeugs kann je nach der Benutzungsweise des Werkzeugs, und speziell je nach der Art des bearbeiteten Werkstücks, von dem (den) angegebenen Wert(en) abweichen.

**⚠️ WARNUNG:** Identifizieren Sie Sicherheitsmaßnahmen zum Schutz des Benutzers anhand einer Schätzung des Gefährdungsgrads unter den tatsächlichen Benutzungsbedingungen (unter Berücksichtigung aller Phasen des Arbeitszyklus, wie z. B. Ausschalt- und Leerlaufzeiten des Werkzeugs zusätzlich zur Betriebszeit).

## Konformitätserklärungen

*Nur für europäische Länder*

Die Konformitätserklärungen sind in Anhang A dieser Betriebsanleitung enthalten.

## SICHERHEITSWARNUNGEN

### Allgemeine Sicherheitswarnungen für Elektrowerkzeuge

**⚠️ WARNUNG** Lesen Sie alle Sicherheitshinweise, Anweisungen, Abbildungen und Spezifikationen, die diesem Elektrowerkzeug beiliegen. Eine Missachtung der unten aufgeführten Anweisungen kann zu einem elektrischen Schlag, Brand und/oder schweren Verletzungen führen.

## Bewahren Sie alle Warnungen und Anweisungen für spätere Bezugnahme auf.

Der Ausdruck „Elektrowerkzeug“ in den Warnhinweisen bezieht sich auf Ihr mit Netzstrom (mit Kabel) oder Akku (ohne Kabel) betriebenes Elektrowerkzeug.

### Sicherheit im Arbeitsbereich

1. **Halten Sie den Arbeitsbereich sauber und gut beleuchtet.** Unaufgeräumte oder dunkle Bereiche führen zu Unfällen.
2. **Betreiben Sie Elektrowerkzeuge nicht in explosiven Umgebungen, wie z. B. in Gegenwart von brennbaren Flüssigkeiten, Gasen oder Staub.** Elektrowerkzeuge erzeugen Funken, die den Staub oder die Dämpfe entzünden können.
3. **Halten Sie Kinder und Umstehende während der Benutzung eines Elektrowerkzeugs vom Arbeitsbereich fern.** Ablenkungen können dazu führen, dass Sie die Kontrolle verlieren.

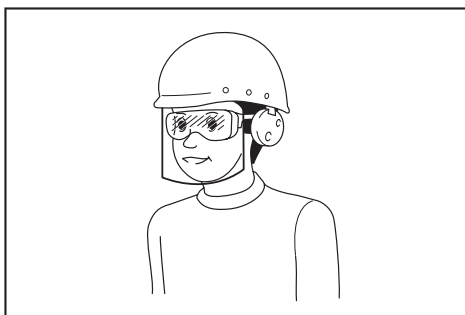
### Elektrische Sicherheit

1. **Der Stecker des Elektrowerkzeugs muss an die Steckdose angepasst sein. Der Stecker darf auf keinen Fall in irgendeiner Form abgeändert werden. Verwenden Sie keine Adapterstecker mit geerdeten Elektrowerkzeugen.** Vorschriftsmäßige Stecker und passende Steckdosen reduzieren die Stromschlaggefahr.
2. **Vermeiden Sie Körperkontakt mit geerdeten Gegenständen (z. B. Rohre, Kühler, Herde, Kühlschränke).** Es besteht erhöhte Stromschlaggefahr, falls Ihr Körper Erdkontakt hat.
3. **Setzen Sie Elektrowerkzeuge keinem Regen oder Nässe aus.** Wasser, das in ein Elektrowerkzeug eindringt, erhöht die Stromschlaggefahr.
4. **Behandeln Sie das Kabel sorgfältig. Benutzen Sie das Kabel niemals zum Tragen, Ziehen oder Abtrennen des Elektrowerkzeugs. Halten Sie das Kabel von Hitze, Öl, scharfen Kanten oder beweglichen Teilen fern.** Ein beschädigtes oder verheddertes Kabel erhöht die Stromschlaggefahr.
5. **Wenn Sie ein Elektrowerkzeug im Freien betreiben, verwenden Sie ein für Freiluftbenutzung geeignetes Verlängerungskabel.** Die Verwendung eines für Freiluftbenutzung geeigneten Kabels reduziert die Stromschlaggefahr.
6. **Lässt sich der Einsatz eines Elektrowerkzeugs in feuchter Umgebung nicht vermeiden, verwenden Sie eine Stromversorgung, die mit einem Fehlerstrom-Schutzschalter (RCD) geschützt ist.** Der RCD verringert die Stromschlaggefahr.
7. **Die Verwendung einer Stromversorgung über einen RCD mit einem Nennreststrom von maximal 30 mA ist stets zu empfehlen.**
8. **Elektrowerkzeuge können elektromagnetische Felder (EMF) erzeugen, die für den Benutzer nicht gesundheitsschädlich sind.** Personen mit Herzschrittmachern und anderen ähnlichen medizinischen Geräten sollten jedoch vor der Benutzung dieses Elektrowerkzeugs den Hersteller ihres Gerätes und/oder ihren Arzt um Rat fragen.
9. **Fassen Sie den Netzstecker nicht mit nassen Händen an.**

10. Falls das Kabel beschädigt ist, lassen Sie es vom Hersteller oder seinem Vertreter auswechseln, um eine Sicherheitsgefahr zu vermeiden.

### Persönliche Sicherheit

1. **Blieben Sie wachsam, und lassen Sie beim Umgang mit einem Elektrowerkzeug Vorsicht und gesunden Menschenverstand walten. Benutzen Sie keine Elektrowerkzeuge, wenn Sie müde sind oder unter dem Einfluss von Drogen, Alkohol oder Medikamenten stehen.** Ein Augenblick der Unachtsamkeit während der Benutzung von Elektrowerkzeugen kann zu schweren Verletzungen führen.
2. **Benutzen Sie persönliche Schutzausrüstung. Tragen Sie stets einen Augenschutz.** Sachgemäßer Gebrauch von Schutzausrüstung (z. B. Staubmaske, rutschfeste Sicherheitsschuhe, Helm und Gehörschutz) trägt zu einer Reduzierung der Verletzungsgefahr bei.
3. **Unbeabsichtigtes Einschalten verhüten. Vergewissern Sie sich, dass sich der Ein-Aus-Schalter in der Aus-Stellung befindet, bevor Sie die Stromquelle und/oder den Akku anschließen bzw. das Werkzeug aufheben oder tragen.** Das Tragen von Elektrowerkzeugen mit dem Finger am Ein-Aus-Schalter oder das Anschließen bei eingeschaltetem Ein-Aus-Schalter führt zu Unfällen.
4. **Etwaige Einstell- oder Schraubenschlüssel sind vor dem Einschalten des Elektrowerkzeugs zu entfernen.** Ein Schrauben- oder Einstellschlüssel, der auf einem rotierenden Teil des Elektrowerkzeugs stecken gelassen wird, kann zu einer Verletzung führen.
5. **Übernehmen Sie sich nicht. Achten Sie stets auf sicheren Stand und gute Balance.** Sie haben dann in unerwarteten Situationen eine bessere Kontrolle über das Elektrowerkzeug.
6. **Zweckmäßige Kleidung tragen. Tragen Sie keine lose Kleidung oder Schmuck. Halten Sie Haare und Kleidung von beweglichen Teilen fern.** Lose Kleidung, Schmuck oder langes Haar kann sich in beweglichen Teilen verfangen.
7. **Wenn Anschlussvorrichtungen für Staubabsaug- und Staubsammelgeräte vorhanden sind, sollten diese montiert und sachgerecht verwendet werden.** Durch Staubabsaugung können staubbezogene Gefahren reduziert werden.
8. **Lassen Sie nicht zu, dass Sie aufgrund der Vertrautheit, die Sie durch häufigen Gebrauch von Werkzeugen erworben haben, selbstzufrieden werden und die Sicherheitsprinzipien der Werkzeuge missachten.** Eine achtlose Handlung kann innerhalb von Sekundenbruchteilen schwere Verletzungen verursachen.
9. **Tragen Sie stets eine Schutzbrille, um Ihre Augen bei Verwendung von Elektrowerkzeugen vor Verletzung zu schützen.** Die Brille muss den Vorschriften ANSI Z87.1 in den USA, EN 166 in Europa oder AS/NZS 1336 in Australien/Neuseeland entsprechen. In Australien/Neuseeland ist das Tragen eines Gesichtsschutzes gesetzlich vorgeschrieben, um auch Ihr Gesicht zu schützen.



**Der Arbeitgeber ist dafür verantwortlich, den Gebrauch von angemessener Schutzausrüstung für die Werkzeugbenutzer und andere Personen im unmittelbaren Arbeitsbereich durchzusetzen.**

### Gebrauch und Pflege von Elektrowerkzeugen

1. **Setzen Sie Elektrowerkzeuge keiner Gewaltanwendung aus. Verwenden Sie das korrekte Elektrowerkzeug für Ihre Anwendung.** Ein korrektes Elektrowerkzeug verrichtet die anstehende Arbeit bei sachgemäßer Handhabung besser und sicherer.
2. **Benutzen Sie das Elektrowerkzeug nicht, wenn es sich nicht mit dem Ein-Aus-Schalter ein- und ausschalten lässt.** Ein Elektrowerkzeug, das nicht auf die Schalterbetätigung reagiert, ist gefährlich und muss repariert werden.
3. **Trennen Sie den Stecker von der Stromquelle, und/oder entfernen Sie den Akku vom Elektrowerkzeug, falls er abnehmbar ist, bevor Sie Einstellungen durchführen, Zubehör auswechseln oder das Elektrowerkzeug lagern.** Solche vorbeugenden Sicherheitsmaßnahmen reduzieren die Gefahr eines versehentlichen Einschaltens des Elektrowerkzeugs.
4. **Bewahren Sie unbenutzte Elektrowerkzeuge außer Reichweite von Kindern auf, und lassen Sie nicht zu, dass Personen, die nicht mit dem Elektrowerkzeug oder diesen Anweisungen vertraut sind, das Elektrowerkzeug benutzen.** Elektrowerkzeuge in den Händen unerfahrener Benutzer sind gefährlich.
5. **Halten Sie Elektrowerkzeuge und Zubehörteile instand. Klemmen Sie Elektrowerkzeuge auf Fehlausrichtung oder Schleifen beweglicher Teile, Beschädigung von Teilen und andere Zustände, die ihren Betrieb beeinträchtigen können. Lassen Sie das Elektrowerkzeug bei Beschädigung vor Gebrauch reparieren.** Viele Unfälle werden durch schlecht gewartete Elektrowerkzeuge verursacht.
6. **Halten Sie Schneidwerkzeuge scharf und sauber.** Gut instand gehaltene Schneidwerkzeuge mit scharfen Schneiden sind weniger anfällig für Klemmen und lassen sich leichter handhaben.
7. **Benutzen Sie das Elektrowerkzeug, das Zubehör und die Werkzeugeinsätze usw. gemäß diesen Anweisungen unter Berücksichtigung der Arbeitsbedingungen und der durchzuführenden Arbeit.** Unsachgemäßer Gebrauch des Elektrowerkzeugs kann zu einer Gefahrensituation führen.

8. **Halten Sie Handgriffe und Griffflächen trocken, sauber und frei von Öl und Fett.** Rutschige Handgriffe und Griffflächen gestatten keine sichere Handhabung und Kontrolle des Werkzeugs in unerwarteten Situationen.
9. **Tragen Sie bei der Benutzung des Werkzeugs keine Arbeitshandschuhe aus Stoff, weil diese sich verfangen können.** Das Verfangen von Arbeitshandschuhen aus Stoff in den beweglichen Teilen kann zu Personenschäden führen.

#### Wartung

1. **Lassen Sie Ihr Elektrowerkzeug nur unter Verwendung identischer Ersatzteile von einem qualifizierten Wartungstechniker warten.** Dadurch wird die Aufrechterhaltung der Sicherheit des Elektrowerkzeugs gewährleistet.
2. **Befolgen Sie die Anweisungen für die Schmierung und den Austausch von Zubehör.**

### Sicherheitsanweisungen für Gehrungssägen

1. **Gehrungssägen sind zum Schneiden von Holz oder holzähnlichen Produkten vorgesehen. Sie können nicht mit Trennschleifscheiben zum Schneiden von Eisenmaterial, wie z. B. Stäben, Stangen, Bolzen usw., verwendet werden.** Schleifstaub kann Klemmen von beweglichen Teilen, wie z. B. der unteren Schutzhaube, verursachen. Beim Trennschleifen entstehende Funken verbrennen die untere Schutzhaube, den Schnittfugeneinsatz und andere Kunststoffteile.
2. **Stützen Sie das Werkstück nach Möglichkeit immer mit Klemmen ab. Wenn Sie das Werkstück mit der Hand abstützen, müssen Sie Ihre Hand immer mindestens 100 mm von beiden Seiten des Sägeblatts entfernt halten. Verwenden Sie diese Säge nicht zum Schneiden von Werkstücken, die zu klein sind, um sicher eingespannt oder von Hand gehalten zu werden.** Wenn Sie Ihre Hand zu nah an das Sägeblatt halten, besteht erhöhte Verletzungsgefahr durch Kontakt mit dem Sägeblatt.
3. **Das Werkstück muss stationär sein und sowohl gegen den Gehrungsanschlag als auch den Tisch geklemmt oder gehalten werden. Schieben Sie das Werkstück nicht in das Sägeblatt, und schneiden Sie auch nicht „freihändig“ in irgendeiner Weise.** Nicht gesicherte oder bewegliche Werkstücke könnten mit hoher Geschwindigkeit herausgeschleudert werden und Verletzungen verursachen.
4. **Schieben Sie die Säge durch das Werkstück. Ziehen Sie die Säge nicht durch das Werkstück. Um einen Schnitt auszuführen, heben Sie den Sägekopf an, ziehen Sie ihn über das Werkstück heraus, ohne es zu schneiden, starten Sie den Motor, drücken Sie den Sägekopf nach unten, und schieben Sie die Säge durch das Werkstück.** Beim Schneiden in Zugrichtung ist die Wahrscheinlichkeit groß, dass das Sägeblatt am Werkstück hoch klettert und die Sägeblatteinheit heftig gegen den Bediener schleudert.
5. **Halten Sie niemals Ihre Hand über die beabsichtigte Schnittlinie, weder vor noch hinter dem Sägeblatt.** Abstützen des Werkstücks mit „überkreuzter Hand“, d. h. Halten des Werkstücks rechts vom Sägeblatt mit der linken Hand oder umgekehrt, ist sehr gefährlich.
  - **Abb.1**
6. **Reichen Sie bei rotierendem Sägeblatt nicht hinter den Gehrungsanschlag, so dass sich eine Ihrer Hände näher als 100 mm links oder rechts des Sägeblatts befindet, um Holzabfälle zu entfernen, oder aus anderen Gründen.** Es mag nicht offensichtlich sein, wie nah sich Ihre Hand am Sägeblatt befindet, und Sie können sich ernsthaft verletzen.
7. **Überprüfen Sie Ihr Werkstück vor dem Schneiden. Falls das Werkstück verbogen oder verzogen ist, spannen Sie es mit der äußeren gebogenen Seite zum Gehrungsanschlag gerichtet ein. Vergewissern Sie sich stets, dass keine Lücke zwischen Werkstück, Gehrungsanschlag und Tisch entlang der Schnittlinie vorhanden ist.** Verbogene oder verzogene Werkstücke neigen zum Drehen oder Verlagern und können beim Schneiden Klemmen am rotierenden Sägeblatt verursachen. Es dürfen keine Nägel oder Fremdkörper im Werkstück vorhanden sein.
8. **Benutzen Sie die Säge nicht eher, bis sämtliche Werkzeuge, Holzabfälle usw. außer dem Werkstück vom Tisch weggeräumt sind.** Kleine Bruchstücke, lose Holzstücke oder andere Objekte, die das rotierende Sägeblatt berühren, können mit hoher Geschwindigkeit herausgeschleudert werden.
9. **Schneiden Sie nur jeweils ein Werkstück.** Mehrere übereinander gestapelte Werkstücke lassen sich nicht angemessen einspannen oder abstützen und können am Sägeblatt klemmen oder sich während des Schneidens verlagern.
10. **Vergewissern Sie sich vor Gebrauch, dass die Gehrungssäge auf einer ebenen, stabilen Arbeitsfläche montiert oder platziert ist.** Eine ebene und stabile Arbeitsfläche verringert die Gefahr, dass die Gehrungssäge instabil wird.
11. **Planen Sie Ihre Arbeit. Stellen Sie bei jeder Änderung der Neigungs- oder Gehrungswinkeleinstellung sicher, dass der verstellbare Gehrungsanschlag korrekt eingestellt ist, um das Werkstück abzustützen, und dass er nicht mit dem Sägeblatt oder dem Schutzsystem in Berührung kommt.** Bewegen Sie das Sägeblatt durch einen vollständigen simulierten Schnitt, ohne das Werkzeug einzuschalten und ein Werkstück auf den Tisch zu legen, um zu gewährleisten, dass es nicht zu einer Berührung oder der Gefahr des Schneidens in den Gehrungsanschlag kommt.
12. **Sorgen Sie für angemessene Abstützung eines Werkstücks, das breiter oder länger als die Tischplatte ist, z. B. durch Tischverlängerungen, Sägeböcke usw.** Werkstücke, die länger oder breiter als der Tisch der Gehrungssäge sind, können kippen, wenn sie nicht sicher abgestützt werden. Falls das abgeschnittene Stück oder Werkstück kippt, kann es die untere Schutzhaube anheben oder vom rotierenden Sägeblatt weggeschleudert werden.



13. **Verwenden Sie keine zweite Person als Ersatz für eine Tischverlängerung oder zur zusätzlichen Abstützung.** Instabile Abstützung des Werkstücks kann dazu führen, dass das Sägeblatt klemmt oder das Werkstück sich während des Schneidvorgangs verlagert, so dass Sie und der Helfer in das rotierende Sägeblatt gezogen werden.
14. **Das abgeschnittene Stücke darf nicht in irgendeiner Weise gegen das rotierende Sägeblatt geklemmt oder gedrückt werden.** Bei Einengung, z. B. durch Längenanschläge, könnte sich das abgeschnittene Stück gegen das Sägeblatt verkeilen und heftig herausgeschleudert werden.
15. **Verwenden Sie stets eine Klemme oder eine Einspannvorrichtung, um Rundmaterial, wie z. B. Stangen oder Rohre, einwandfrei abzustützen.** Stangen neigen beim Schneiden zum Rollen, so dass das Sägeblatt „beißt“ und das Werkstück mit Ihrer Hand in das Sägeblatt zieht.
16. **Warten Sie, bis das Sägeblatt die volle Drehzahl erreicht, bevor es das Werkstück kontaktiert.** Dadurch wird die Gefahr des Herausschleuderns des Werkstücks verringert.
17. **Falls das Werkstück oder das Sägeblatt eingeklemmt wird, schalten Sie die Gehrungssäge aus. Warten Sie, bis alle beweglichen Teile zum Stillstand gekommen sind, und ziehen Sie dann den Stecker von der Stromquelle ab und/oder nehmen Sie den Akku ab. Befreien Sie dann das eingeklemmte Material.** Fortgesetztes Sägen mit einem eingeklemmten Werkstück könnte zum Verlust der Kontrolle oder zu einer Beschädigung der Gehrungssäge führen.
18. **Nachdem Sie den Schnitt vollendet haben, lassen Sie den Schalter los, halten Sie den Sägekopf nach unten, und warten Sie, bis das Sägeblatt zum Stillstand kommt, bevor Sie das abgeschnittene Stück entfernen.** Es ist gefährlich, mit Ihrer Hand in die Nähe des auslaufenden Sägeblatts zu reichen.
19. **Verwenden Sie nur Sägeblätter mit einem Durchmesser, der am Werkzeug markiert oder im Handbuch angegeben ist.** Die Verwendung eines Sägeblatts mit falscher Größe kann den einwandfreien Schutz des Sägeblatts oder den Schutzbetrieb beeinträchtigen, was ernsthaften Personenschaden zur Folge haben kann.
20. **Verwenden Sie nur Sägeblätter, die mit einer Drehzahl markiert sind, die der am Werkzeug angegebenen Drehzahl entspricht oder diese übertrifft.**
21. **Verwenden Sie die Säge nicht zum Schneiden von anderen als den angegebenen Materialien.**
22. **(Nur für europäische Länder)**  
Falls Sie Holz und ähnliche Materialien bearbeiten, verwenden Sie immer ein Sägeblatt, das der Norm EN847-1 entspricht.
3. **Lassen Sie das Werkzeug niemals unbeaufsichtigt laufen. Schalten Sie die Stromversorgung aus. Verlassen Sie das Werkzeug nicht eher, bis es zu einem vollständigen Stillstand gekommen ist.**
4. **Betreiben Sie die Säge nicht ohne Schutzhauben. Überprüfen Sie die Sägeblattschutzhaube vor jeder Benutzung auf einwandfreies Schließen. Betreiben Sie die Säge nicht, wenn sich die Schutzhaube nicht ungehindert bewegt und sich nicht sofort schließt. Die Schutzhaube darf auf keinen Fall in der geöffneten Stellung festgeklemmt oder festgebunden werden.**
5. **Halten Sie Ihre Hände von der Schnittlinie des Sägeblatts fern. Vermeiden Sie die Berührung eines auslaufenden Sägeblatts. Es kann auch in diesem Zustand noch schwere Verletzungen verursachen.**
6. **Um die Verletzungsgefahr zu verringern, führen Sie den Schlitten nach jedem Ablängschnittvorgang auf seine hintere Anschlagstellung zurück.**
7. **Sichern Sie stets alle beweglichen Teile, bevor Sie das Werkzeug tragen.**
8. **Der Anschlagstift oder Anschlaghebel, der den Sägekopf verriegelt, ist nur zum Tragen und zur Lagerung, nicht für irgendwelche Schneidarbeiten, vorgesehen.**
9. **Überprüfen Sie das Sägeblatt vor dem Betrieb sorgfältig auf Risse oder Beschädigung. Wechseln Sie ein gerissenes oder beschädigtes Sägeblatt unverzüglich aus. An Sägeblättern haftendes und verhärtetes Gummi und Harz verlangsamen die Säge und erhöhen die Rückschlaggefahr. Halten Sie das Sägeblatt sauber, indem Sie es vom Werkzeug abmontieren und dann mit Gummi- und Harzentferner, heißem Wasser oder Petroleum reinigen. Verwenden Sie niemals Benzin zum Reinigen des Sägeblatts.**
10. **Bei der Durchführung eines Schiebesschnitts kann RÜCKSCHLAG auftreten. RÜCKSCHLAG tritt auf, wenn das Sägeblatt während eines Schneidvorgangs im Werkstück klemmt und plötzlich auf den Bediener zu getrieben wird. Es kann zum Verlust der Kontrolle und zu ernsthaften Personenschäden kommen. Falls das Sägeblatt während eines Schneidvorgangs zu klemmen beginnt, brechen Sie den Schnitt ab und lassen Sie den Schalter unverzüglich los.**
11. **Verwenden Sie nur die für dieses Werkzeug vorgeschriebenen Flansche.**
12. **Achten Sie sorgfältig darauf, dass die Spindel, die Flansche (insbesondere die Ansatzfläche) oder die Schraube nicht beschädigt werden. Eine Beschädigung dieser Teile kann zu einem Sägeblattbruch führen.**
13. **Vergewissern Sie sich, dass der Drehteller einwandfrei gesichert ist, damit er sich während des Betriebs nicht bewegt. Verwenden Sie die Löcher in der Grundplatte, um die Säge an einer stabilen Arbeitsbühne oder Werkbank zu befestigen. Benutzen Sie das Werkzeug NIEMALS in Situationen, bei denen der Bediener gezwungen wäre, eine ungünstige Position einzunehmen.**

#### **Zusätzliche Anweisungen**

1. **Machen Sie die Werkstatt mit Vorhängeschlössern kindersicher.**
2. **Stellen Sie sich niemals auf das Werkzeug.** Durch Kippen des Werkzeugs oder versehentliche Berührung mit dem Schneidwerkzeug könnten ernsthafte Verletzungen auftreten.



14. Vergewissern Sie sich vor dem Einschalten des Werkzeugs, dass die Spindelarretierung freigegeben ist.
15. Vergewissern Sie sich, dass das Sägeblatt in der tiefsten Position nicht mit dem Drehteller in Berührung kommt.
16. Halten Sie den Handgriff sicher fest. Beachten Sie, dass sich die Säge beim Anlaufen und Abstellen geringfügig nach oben oder unten bewegt.
17. Vergewissern Sie sich vor dem Einschalten des Schalters, dass das Sägeblatt nicht das Werkstück berührt.
18. Lassen Sie das Werkzeug vor der eigentlichen Bearbeitung eines Werkstücks eine Weile laufen. Achten Sie auf Vibrationen oder Taumelbewegungen, die Anzeichen für schlechte Montage oder ein schlecht ausgewuchtetes Sägeblatt sein können.
19. Brechen Sie sofort den Betrieb ab, wenn Sie irgend etwas Ungewöhnliches bemerken.
20. Versuchen Sie nicht, den Auslöser in der EIN-Stellung zu verriegeln.
21. Verwenden Sie stets das in dieser Anleitung empfohlene Zubehör. Der Gebrauch ungeeigneten Zubehörs, wie z. B. Schleifscheiben, kann Verletzungen zur Folge haben.
22. Manche Materialien können giftige Chemikalien enthalten. Treffen Sie Vorsichtsmaßnahmen, um das Einatmen von Arbeitsstaub und Hautkontakt zu verhüten. Befolgen Sie die Sicherheitsdaten des Materialherstellers.

**Zusätzliche Sicherheitsregeln für die Betriebslampe**

1. Blicken Sie nicht direkt in das Licht oder die Lichtquelle.

**BEWAHREN SIE DIESE ANLEITUNG AUF.**

**⚠️ WARNUNG:** Lassen Sie sich NICHT durch Bequemlichkeit oder Vertrautheit mit dem Produkt (durch wiederholten Gebrauch erworben) von der strikten Einhaltung der Sicherheitsregeln für das vorliegende Produkt abhalten. MISSBRAUCH oder Missachtung der Sicherheitsvorschriften in dieser Anleitung können schwere Personenschäden verursachen.

**BEZEICHNUNG DER TEILE**

► Abb.2

1	Einstellschraube (für Minimalgrenzposition)	2	Anschlagarm	3	Staubsack	4	Rändelschraube (für Schlittenverschiebung)
5	Zeiger (für Neigungswinkel)	6	Neigungswinkelskala	7	Gleitstange	8	Vertikal-Schraubstock
9	Schiebeanschlag	10	0°-Einstellschraube (für Neigungswinkel)	11	Gehrungsanschlag	12	Zusatzauflage
13	Drehteller	14	Gehrungswinkelskala	15	Zeiger (für Gehrungswinkel)	16	Schlitzplatte
17	Einstellschraube (für Drehteller)	18	Verriegelungshebel (für Drehteller)	19	Griff (für Drehteller)	20	Staubabsaughaube
21	Sägeblattschutzhaube	22	Lampe	23	Handgriff (für Betrieb)	24	Auslöseschalter
25	Loch für Vorhängeschloss	26	Einschaltperrknopf	27	Tragegriff	-	-

► Abb.3

1	Lampenschalter	2	Spindelarretierung	3	Einstellschraube (für maximale Schnittleistung)	4	Anschlagstift (für Schlittenanhebung)
5	Anschlagplatte	6	Inbusschlüssel	7	45°-Einstellschraube (für Neigungswinkel)	8	Hebel (für Neigungswinkel)
9	Entriegelungsknopf (für Neigungswinkel)	-	-	-	-	-	-

**INSTALLATION**

**Werkbankmontage**

**⚠️ WARNUNG:** Stellen Sie sicher, dass sich das Werkzeug auf der Stützfläche nicht verschiebt. Eine Verschiebung der Gehrungssäge auf der Stützfläche während des Schneidbetriebs kann zu einem Verlust der Kontrolle und schweren Verletzungen führen.

1. Befestigen Sie den Auflagetisch mit den Schrauben auf einer ebenen und stabilen Oberfläche. Dadurch werden Umkippen und mögliche Verletzungen vermieden.

► Abb.4: 1. Schraube 2. Montageloch

2. Drehen Sie die Einstellschraube im oder entgegen dem Uhrzeigersinn, so dass sie mit der Bodenfläche in Berührung kommt, um das Werkzeug stabil zu halten.

► Abb.5: 1. Einstellschraube

# FUNKTIONSBESCHREIBUNG

**⚠️ WARNUNG:** Vergewissern Sie sich vor jeder Einstellung oder Funktionsprüfung des Werkzeugs stets, dass es ausgeschaltet und vom Stromnetz getrennt ist. Wird das Werkzeug nicht ausgeschaltet und vom Stromnetz getrennt, kann es zu schweren Verletzungen durch versehentliches Anlaufen kommen.

## Handgriffverriegelung

**⚠️ VORSICHT:** Halten Sie stets den Handgriff fest, wenn Sie den Anschlagstift freigeben. Andernfalls kann der Handgriff hochschnellen und Personenschaden verursachen.

Der Handgriff wurde werkseitig vor dem Versand des Werkzeugs mit dem Anschlagstift in der Tiefstellung verriegelt. Um den Handgriff zu entriegeln, ziehen Sie den Anschlagstift, während Sie den Handgriff geringfügig absenken.

► **Abb.6:** 1. Anschlagstift

## Gleitsperre

Um die Schiebebewegung des Schlittens zu ermöglichen, lösen Sie die Rändelschraube am Arm. Um die Schiebebewegung des Schlittens zu arretieren, bewegen Sie den Schlitten zu Ihrer gewünschten Position, und ziehen Sie dann die Rändelschraube fest an.

► **Abb.7:** 1. Rändelschraube 2. Arm

## Sägeblattschutzhaube

**⚠️ WARNUNG:** Die Sägeblattschutzhaube oder die an der Schutzhaube angebrachte Feder darf niemals unwirksam gemacht oder entfernt werden. Ein wegen fehlender Schutzhaube freiliegendes Kreissägeblatt kann schwere Personenschäden während des Betriebs verursachen.

**⚠️ WARNUNG:** Benutzen Sie dieses Werkzeug niemals, falls die Sägeblattschutzhaube oder die Feder beschädigt, defekt oder entfernt ist. Der Betrieb des Werkzeugs mit beschädigter, defekter oder entfernter Schutzhaube kann zu schweren Personenschäden führen.

**⚠️ VORSICHT:** Halten Sie die Schutzhaube stets in gutem Zustand, um sicheren Betrieb zu gewährleisten. Halten Sie den Betrieb sofort an, falls Sie irgendeine Unregelmäßigkeit an der Sägeblattschutzhaube feststellen. Überprüfen Sie die gefederte Rückkehrbewegung der Schutzhaube.

Wird der Handgriff abgesenkt, hebt sich die Sägeblattschutzhaube automatisch. Die Schutzhaube ist gefedert, so dass sie in ihre Ausgangsstellung zurückkehrt, wenn der Schnitt vollendet ist und der Handgriff angehoben wird.

► **Abb.8:** 1. Sägeblattschutzhaube

## Reinigen

Falls die transparente Sägeblattschutzhaube verschmutzt ist oder Sägespäne an der transparenten Sägeblattschutzhaube so anhaften, dass das Kreissägeblatt und/oder das Werkstück nicht mehr gut sichtbar sind, ziehen Sie den Stecker des Werkzeugs heraus und reinigen Sie die Sägeblattschutzhaube sorgfältig mit einem feuchten Tuch. Verwenden Sie keine Lösungsmittel oder Reinigungsmittel auf Petroleumbasis zum Reinigen der Kunststoff-Schutzhaube, weil sie dadurch beschädigt werden kann.

Befolgen Sie die aufgelisteten Anweisungen zur Vorbereitung für eine Reinigung Schritt für Schritt.

1. Vergewissern Sie sich, dass das Werkzeug ausgeschaltet und vom Stromnetz getrennt ist.
2. Drehen Sie die Innensechskantschraube mit dem mitgelieferten Inbusschlüssel gegen den Uhrzeigersinn, während Sie die Mittenabdeckung festhalten.
3. Heben Sie die Sägeblattschutzhaube und die Mittenabdeckung an.

4. Wenn die Reinigung abgeschlossen ist, bringen Sie die Mittenabdeckung wieder an, und ziehen Sie die Innensechskantschraube an, indem Sie die obigen Schritte umgekehrt anwenden.

- **Abb.9:**
1. Inbusschlüssel
  2. Innensechskantschraube
  3. Mittenabdeckung
  4. Sägeblattschutzhaube

**⚠️ WARNUNG:** Entfernen Sie nicht die Feder, welche die Sägeblattschutzhaube hält. Falls die Schutzhaube im Laufe der Zeit oder durch UV-Strahlung beschädigt wird, wenden Sie sich für ein Ersatzteil an eine Makita-Kundendienststelle. **DIE SCHUTZHAUBE DARF NICHT FUNKTIONSUNFÄHIG GEMACHT ODER ENTFERNT WERDEN.**

## Positionieren von Schlitzplatten

Dieses Werkzeug ist mit Schlitzplatten im Drehteller versehen, um Reißen am Austrittsende eines Schnitts auf ein Minimum zu reduzieren. Die Schlitzplatten sind werkseitig so eingestellt, dass das Kreissägeblatt nicht mit ihnen in Berührung kommt. Stellen Sie die Schlitzplatten vor dem Gebrauch wie folgt ein:

1. Vergewissern Sie sich, dass das Werkzeug vom Stromnetz getrennt ist. Lösen Sie dann alle Befestigungsschrauben der Schlitzplatten (jeweils drei auf der linken und rechten Seite).
- **Abb.10:** 1. Schlitzplatte 2. Schraube
2. Ziehen Sie die Schrauben nur so weit an, dass sich die Schlitzplatten noch leicht von Hand bewegen lassen.
3. Senken Sie den Handgriff vollständig ab und verriegeln Sie ihn dann in der abgesenkten Position mit dem Anschlagstift.
4. Lösen Sie die Rändelschraube am Arm, der die Gleitbewegung des Schlittens sichert.

Ziehen Sie den Schlitten ganz auf sich zu.

► **Abb.11:** 1. Rändelschraube 2. Arm

5. Stellen Sie die Schlitzplatten so ein, dass sie nahe an den Seiten der Sägeblattzähne liegen.

► **Abb.12**

► **Abb.13:** 1. Kreissägeblatt 2. Sägeblattzähne  
3. Schlitzplatte 4. Linksseitiger  
Neigungsschnitt 5. Geradschnitt

6. Ziehen Sie die vorderen Schrauben an (nicht festziehen).

7. Schieben Sie den Schlitten in die Position zwischen dem vorderen Ende der Schlitzplatten und den Gehrungsanschlügen. Stellen Sie die Schlitzplatten so ein, dass sie nahe an den Seiten der Sägeblattzähne liegen.

8. Ziehen Sie die mittleren Schrauben an (nicht festziehen).

9. Schieben Sie den Schlitten ganz in Richtung der Gehrungsanschlüge und stellen Sie dann die Schlitzplatten so ein, dass sie nahe an den Seiten der Sägeblattzähne liegen.

10. Ziehen Sie die hinteren Schrauben an (nicht festziehen).

11. Lassen Sie den Anschlagstift für die Handgriffverriegelung los, und heben Sie den Handgriff an. Ziehen Sie dann alle Schrauben fest.

**ANMERKUNG:** Nachdem Sie den Neigungswinkel eingestellt haben, vergewissern Sie sich, dass die Schlitzplatten korrekt eingestellt sind. Die korrekte Einstellung der Schlitzplatten trägt zu einwandfreier Abstützung des Werkstücks und Minimieren von Ausreißen des Werkstücks bei.

## Aufrechterhaltung der maximalen Schnittleistung

Dieses Werkzeug wurde werksseitig so eingestellt, dass die maximale Schnittleistung mit einem Kreissägeblatt von 216 mm erreicht wird.

Wenn Sie ein neues Kreissägeblatt montieren, überprüfen Sie immer die untere Grenzposition des Kreissägeblatts, und nehmen Sie nötigenfalls eine Einstellung vor, wie folgt:

1. Trennen Sie das Werkzeug vom Stromnetz.

Schieben Sie dann den Schlitten ganz bis zum Gehrungsanschlag, und senken Sie den Handgriff vollständig ab.

2. Drehen Sie die Einstellschraube mit dem Inbusschlüssel (Schraubendreherseite), bis das Kreissägeblatt geringfügig unter dem Querschnitt des Gehrungsanschlages und der Oberfläche des Drehtellers liegt.

► **Abb.14:** 1. Einstellschraube 2. Gehrungsanschlag

► **Abb.15**

3. Drehen Sie das Kreissägeblatt von Hand, während Sie den Handgriff in der Tiefstellung halten, um sicherzugehen, dass das Kreissägeblatt keinen Teil des Auflagetisches berührt. Stellen Sie gegebenenfalls die maximale Schnittleistung neu ein.

**⚠️ WARNUNG:** Nachdem Sie ein neues Kreissägeblatt installiert haben und das Werkzeug vom Stromnetz getrennt ist, achten Sie immer darauf, dass das Kreissägeblatt bei vollständig abgesenktem Handgriff keinen Teil des Auflagetisches berührt. Falls das Kreissägeblatt mit dem Auflagetisch in Berührung kommt, kann es Rückschlag verursachen, was zu schweren Personenschäden führen kann.

► **Abb.16**

## Anschlagarm

Die untere Grenzposition des Sägeblatts kann mit dem Anschlagarm leicht eingestellt werden. Um die untere Grenze einzustellen, drehen Sie den Anschlagarm in Richtung des Pfeils, wie in der Abbildung gezeigt. Drehen Sie die Einstellschraube so, dass das Sägeblatt an der gewünschten Position anhält, wenn der Handgriff ganz abgesenkt wird.

► **Abb.17:** 1. Anschlagarm 2. Einstellschraube

## Einstellen des Gehrungswinkels

**⚠️ VORSICHT:** Sichern Sie den Drehteller nach jeder Änderung des Gehrungswinkels stets durch Anziehen des Griffs gegen Verdrehen.

**ANMERKUNG:** Heben Sie den Handgriff vollständig an, bevor Sie den Drehteller drehen.

Drehen Sie den Griff entgegen dem Uhrzeigersinn, um den Drehteller zu entriegeln. Drehen Sie den Griff, während Sie den Verriegelungshebel hoch halten, um den Drehteller zu bewegen. Richten Sie den Zeiger auf den gewünschten Winkel auf der Gehrungswinkelskala aus, und ziehen Sie dann den Griff fest.

► **Abb.18:** 1. Verriegelungshebel 2. Griff 3. Zeiger

## Festanschlagfunktion

Diese Gehrungssäge verwendet die Festanschlagfunktion. Damit können Sie den rechten/ linken Gehrungswinkel schnell auf 0°, 15°, 22,5°, 31,6° und 45° einstellen. Um diese Funktion zu benutzen, bewegen Sie den Drehteller in die Nähe des gewünschten Festanschlagwinkels, während Sie den Verriegelungshebel hoch halten. Lassen Sie dann den Verriegelungshebel los, und bewegen Sie den Drehteller zu Ihrem gewünschten Festanschlagwinkel, bis er einrastet.

## Einstellen des Neigungswinkels

**⚠ VORSICHT:** Sichern Sie den Arm nach jeder Änderung des Neigungswinkels stets durch Anziehen des Hebels im Uhrzeigersinn.

**ANMERKUNG:** Entfernen Sie immer den Vertikal-Schraubstock, bevor Sie den Neigungswinkel einstellen.

**ANMERKUNG:** Achten Sie beim Neigen des Kreissägeblatts darauf, dass der Schlitten vollständig angehoben ist.

**ANMERKUNG:** Wenn die Neigungswinkel geändert werden, müssen die Schlitzplatten gemäß der Beschreibung im Abschnitt zum Positionieren der Schlitzplatten entsprechend neu positioniert werden.

**ANMERKUNG:** Ziehen Sie den Hebel nicht zu fest an. Anderenfalls kann eine Funktionsstörung des Neigungswinkel-Verriegelungsmechanismus verursacht werden.

### Neigen des Kreissägeblatts nach links 0° - 45°

1. Drehen Sie den Hebel entgegen dem Uhrzeigersinn.
2. Halten Sie den Handgriff fest, und neigen Sie den Schlitten nach links.
3. Richten Sie den Zeiger auf Ihren gewünschten Winkel auf der Neigungswinkelskala aus.
4. Ziehen Sie den Hebel durch Rechtsdrehen fest, um den Arm einwandfrei zu sichern.  
▶ **Abb.19:** 1. Hebel 2. Handgriff 3. Zeiger  
4. Neigungswinkelskala

### Neigen des Kreissägeblatts über den linken Bereich von 0° - 45° hinaus

1. Drehen Sie den Hebel entgegen dem Uhrzeigersinn.
2. Halten Sie den Handgriff, und stellen Sie den Schlitten auf 0° für die rechte 2°-Seite bzw. 45° für die linke 47°-Seite.
3. Neigen Sie den Schlitten leicht zur entgegengesetzten Seite.
4. Drücken Sie den Entriegelungsknopf.
5. Neigen Sie den Schlitten in die gewünschte Position außerhalb des Bereichs 0° - 45°.
6. Ziehen Sie den Hebel durch Rechtsdrehen fest, um den Arm einwandfrei zu sichern.

**Beim Neigen des Schlittens nach rechts um 2°**

▶ **Abb.20:** 1. Hebel 2. Handgriff 3. Entriegelungsknopf

**Beim Neigen des Schlittens nach links um 47°**

▶ **Abb.21:** 1. Hebel 2. Handgriff 3. Entriegelungsknopf

## Schalterfunktion

**⚠ WARNUNG:** Vergewissern Sie sich vor dem Anschließen des Werkzeugs an das Stromnetz stets, dass der Auslöseschalter ordnungsgemäß funktioniert und beim Loslassen in die AUS-Stellung zurückkehrt. Betätigen Sie den Auslöseschalter nicht gewaltsam, ohne den Einschaltsperrknopf hineinzudrücken. Dies kann zu Beschädigung des Schalters führen. Der Betrieb des Werkzeugs mit fehlerhaftem Schalter kann zum Verlust der Kontrolle und zu schweren Verletzungen führen.

**⚠ WARNUNG:** Benutzen Sie das Werkzeug NIEMALS, wenn der Ein-Aus-Schalter nicht voll funktionsfähig ist. Ein Werkzeug mit funktionsunfähigem Schalter ist AUSSERST GEFÄHRLICH und muss vor weiterem Gebrauch repariert werden. Anderenfalls kann es zu schweren Verletzungen kommen.

**⚠ WARNUNG:** Versuchen Sie NIEMALS, den Einschaltsperrknopf mit Klebeband oder anderen Mitteln unwirksam zu machen. Ein Schalter mit unwirksamem Einschaltsperrknopf kann zu ungewolltem Betrieb und daraus resultierenden schweren Personenschäden führen.

**⚠ WARNUNG:** Betreiben Sie das Werkzeug NIEMALS, wenn es durch einfache Betätigung des Ein-Aus-Schalters eingeschaltet werden kann, ohne den Einschaltsperrknopf zu drücken. Ein reparaturbedürftiger Schalter kann zu ungewolltem Betrieb und daraus resultierenden schweren Personenschäden führen. Lassen Sie das Werkzeug von einer Makita-Kundendienststelle ordnungsgemäß reparieren, BEVOR Sie es weiter benutzen.

Um versehentliche Betätigung des Auslöseschalters zu verhüten, ist das Werkzeug mit einem Einschaltsperrknopf ausgestattet. Betätigen Sie zum Starten des Werkzeugs den Auslöseschalter bei gedrücktem Einschaltsperrknopf. Lassen Sie zum Ausschalten den Auslöseschalter los. Der Auslöseschalter ist mit einem Loch für ein Vorhängeschloss versehen, um das Werkzeug zu verriegeln.

▶ **Abb.22:** 1. Auslöseschalter 2. Einschaltsperrknopf  
3. Loch für Vorhängeschloss

**⚠ WARNUNG:** Verwenden Sie kein Schloss, dessen Schaft oder Kabel einen kleineren Durchmesser als 6,35 mm hat. Ein kleinerer Schaft oder ein kleineres Kabel verriegelt das Werkzeug möglicherweise nicht richtig in der Aus-Stellung, so dass es zu ungewolltem Betrieb mit daraus resultierenden schweren Verletzungen kommen kann.

## Projizieren einer Schnittlinie

**⚠ VORSICHT:** Die Lampe ist nicht regenfest. Waschen Sie die Lampe nicht mit Wasser, und benutzen Sie sie auch nicht bei Regen oder in nasser Umgebung. Anderenfalls kann es zu einem elektrischen Schlag oder Rauchentwicklung kommen.

**⚠ VORSICHT:** Berühren Sie nicht die Linse der Lampe, da sie während des Betriebs oder unmittelbar nach dem Ausschalten sehr heiß ist. Dies kann Verbrennungen verursachen.

**⚠ VORSICHT:** Setzen Sie die Lampe keinen Erschütterungen aus, weil sie sonst beschädigt werden oder ihre Lebensdauer sich verkürzen kann.

**⚠ VORSICHT:** Blicken Sie nicht direkt in die Lampe oder die Lichtquelle.

Die LED-Lampe wirft ein Licht auf das Kreissägeblatt, und ein Schatten des Sägeblatts fällt auf ein Werkstück, das als ein kalibrierungsfreier Schnittlinienindikator dient. Drücken Sie den Lampenschalter, um ein Licht zu werfen. Eine Linie erscheint, auf der das Sägeblatt die Oberfläche des Werkstücks trifft, die vertieft wird, je weiter das Sägeblatt abgesenkt wird.

► **Abb.23:** 1. Lampenschalter 2. Lampe 3. Schnittlinie

Der Indikator hilft beim Schneiden durch eine existierende Trennlinie, die auf ein Werkstück angezeichnet wurde.

1. Halten Sie den Handgriff, und senken Sie das Kreissägeblatt ab, so dass ein dichter Schatten des Sägeblatts auf ein Werkstück geworfen wird.
2. Richten Sie eine auf das Werkstück angezeichnete Trennlinie auf die schattierte Schnittlinie aus.
3. Stellen Sie gegebenenfalls Gehrungs- und Neigungswinkel ein.

**HINWEIS:** Achten Sie darauf, den Lampenschalter nach der Benutzung auszuschalten. Andernfalls bleibt die Lampe heiß.

## MONTAGE

**⚠ WARNUNG:** Vergewissern Sie sich vor der Ausführung von Arbeiten am Werkzeug stets, dass es ausgeschaltet und vom Stromnetz getrennt ist. Das Versäumnis, das Werkzeug auszuschnalten und vom Stromnetz zu trennen, kann zu schweren Verletzungen führen.

## Aufbewahrung des Inbusschlüssels

Der Inbusschlüssel kann an der in der Abbildung gezeigten Stelle aufbewahrt werden, damit er nicht verloren geht.

► **Abb.24:** 1. Inbusschlüssel

## Montieren und Demontieren des Kreissägeblatts

**⚠ WARNUNG:** Vergewissern Sie sich immer, dass das Werkzeug ausgeschaltet und vom Stromnetz getrennt ist, bevor Sie das Kreissägeblatt entfernen und installieren. Versehentliches Anlaufen des Werkzeugs kann zu schweren Personenschäden führen.

**⚠ WARNUNG:** Verwenden Sie nur den mitgelieferten Makita-Schraubenschlüssel zum Demontieren und Montieren des Kreissägeblatts. Wird der Schraubenschlüssel nicht benutzt, kann es zu übermäßigem oder unzureichendem Anziehen der Innensechskantschraube mit daraus resultierenden schweren Verletzungen kommen.

**⚠ WARNUNG:** Verwenden oder ersetzen Sie niemals Teile, die nicht im Lieferumfang dieses Werkzeugs enthalten sind. Die Verwendung solcher Teile kann ernsthafte Personenschäden verursachen.

**⚠ WARNUNG:** Stellen Sie außerdem nach der Montage des Kreissägeblatts sicher, dass es sicher montiert ist. Lockere Anbringung des Kreissägeblatts kann schwere Personenschäden verursachen.

## Allgemeine Vorbereitungen zum Installieren oder Entfernen des Kreissägeblatts

1. Entriegeln Sie den Schlitten, indem Sie den Anschlagstift betätigen, und bringen Sie den Schlitten dann in die angehobene Stellung.
2. Lösen Sie die Innensechskantschraube, die die Mittenabdeckung hält, mit dem Inbusschlüssel. Heben Sie dann die Sägeblattschutzhaube und die Mittenabdeckung an.

► **Abb.25:** 1. Inbusschlüssel  
2. Innensechskantschraube  
3. Mittenabdeckung  
4. Sägeblattschutzhaube

## Montieren des Kreissägeblatts

**⚠ VORSICHT:** Montieren Sie das Kreissägeblatt unbedingt so, dass die Richtung des Pfeils auf dem Kreissägeblatt mit derjenigen am Sägeblattgehäuse übereinstimmt. Anderenfalls kann es zu Personenschäden und einer Beschädigung des Werkzeugs und/oder des Werkstücks kommen.

1. Führen Sie die Schritte im Abschnitt „Allgemeine Vorbereitungen zum Installieren oder Entfernen des Kreissägeblatts“ aus.
  2. Blockieren Sie die Spindel durch Drücken der Spindelarreterierung, und lösen Sie die Innensechskantschraube (linksgängig) durch Rechtsdrehung des Inbusschlüssels. Nehmen Sie dann Innensechskantschraube, Außenflansch und Kreissägeblatt ab.
- **Abb.26:** 1. Innensechskantschraube (Linksgewinde) 2. Außenflansch  
3. Spindelarreterierung

3. Montieren Sie das Kreissägeblatt sorgfältig am Innenflansch. Achten Sie darauf, dass die Richtung des Pfeils auf dem Kreissägeblatt mit der Richtung des Pfeils auf dem Sägeblattgehäuse übereinstimmt.

► **Abb.27:** 1. Pfeil

4. Montieren Sie den Außenflansch und die Innensechskantschraube. Ziehen Sie die Innensechskantschraube (Linksgewinde) entgegen dem Uhrzeigersinn sicher an, indem Sie den Inbusschlüssel benutzen und dabei die Spindelarretierung drücken.

► **Abb.28:** 1. Innensechskantschraube (Linksgewinde) 2. Außenflansch 3. Kreissägeblatt 4. Ring 5. Innenflansch 6. Spindel

► **Abb.29:** 1. Innensechskantschraube (Linksgewinde) 2. Außenflansch 3. Spindelarretierung

5. Bringen Sie die Sägeblattschutzhaube und die Mittenabdeckung wieder in ihre Ausgangsstellung. Ziehen Sie dann die Innensechskantschraube zur Sicherung der Mittenabdeckung an.

Senken Sie den Schlitten ab, um zu prüfen, ob sich die Sägeblattschutzhaube einwandfrei bewegt.

► **Abb.30:** 1. Inbusschlüssel 2. Innensechskantschraube 3. Mittenabdeckung 4. Sägeblattschutzhaube

## Demontieren des Kreissägeblatts

1. Führen Sie die Schritte im Abschnitt „Allgemeine Vorbereitungen zum Installieren oder Entfernen des Kreissägeblatts“ aus.

2. Drücken Sie die Spindelarretierung, um die Spindel zu verriegeln. Lösen Sie die Innensechskantschraube im Uhrzeigersinn mit dem Inbusschlüssel. Nehmen Sie dann Innensechskantschraube, Außenflansch und Kreissägeblatt ab.

► **Abb.31:** 1. Innensechskantschraube (Linksgewinde) 2. Außenflansch 3. Spindelarretierung

3. Falls der Innenflansch entfernt wird, bringen Sie ihn so an der Spindel an, dass sein Sägeblatt-Montageteil zum Kreissägeblatt gerichtet ist. Wird der Flansch falsch montiert, schleift er an der Maschine.

► **Abb.32:** 1. Innensechskantschraube (Linksgewinde) 2. Außenflansch 3. Kreissägeblatt 4. Ring 5. Innenflansch 6. Spindel

**ANMERKUNG:** Achten Sie darauf, dass Sie den entfernten Außenflansch und die Innensechskantschraube nicht verlieren.

## Anschließen eines Sauggeräts

Um saubere Schneidarbeiten durchzuführen, schließen Sie ein Makita-Sauggerät an.

**ANMERKUNG:** Je nach Art des benutzten Sauggeräts und des Schlauchs kann die Staubsammelöffnung durch die Staubabsaughaube blockiert werden, so dass es unmöglich ist, Staub zu sammeln. Schwächen Sie in diesem Fall die Saugkraft des Sauggeräts.

► **Abb.33:** 1. Staubabsaughaube

## Staubsack

**⚠ VORSICHT:** Wenn Sie Schnitte ausführen, bringen Sie immer den Staubsack an, oder schließen Sie ein Sauggerät an, um staubbezogene Gefahren zu verhindern.

Der Staubsack ermöglicht sauberes Arbeiten und einfaches Staubsammeln. Um den Staubsack anzubringen, verbinden Sie ihn mit dem Absaugstutzen.

► **Abb.34:** 1. Staubsack 2. Absaugstutzen

Wenn der Staubsack etwa halb voll ist, nehmen Sie ihn vom Werkzeug ab und ziehen den Verschluss heraus. Entleeren Sie den Staubsack, indem Sie ihn leicht abklopfen, um die an den Innenflächen haftenden Staubpartikel, die den Durchlass behindern können, zu lösen.

► **Abb.35:** 1. Verschluss

## Sicherung von Werkstücken

**⚠ WARNUNG:** Es ist äußerst wichtig, das Werkstück stets mit dem geeigneten Schraubstocktyp korrekt zu sichern. Andernfalls kann es zu schweren Personenschäden und Beschädigung des Werkzeugs und/oder Werkstücks kommen.

**⚠ WARNUNG:** Heben Sie das Sägeblatt nach erfolgtem Schnitt erst an, nachdem es zum völligen Stillstand gekommen ist. Das Anheben eines noch rotierenden Sägeblatts kann zu schweren Personenschäden und Beschädigung des Werkstücks führen.

**⚠ WARNUNG:** Wenn Sie ein Werkstück schneiden, das länger als der Auflagetisch der Gehrungssäge ist, sollte das Material auf der gesamten Länge außerhalb des Auflagetisches und auf derselben Höhe abgestützt werden, um es waagrecht zu halten. Korrekte Werkstückabstützung trägt zur Vermeidung von Sägeblattklemmen und möglichem Rückschlag bei, was zu schweren Verletzungen führen kann. Verlassen Sie sich nicht allein auf den Vertikal-Schraubstock zur Sicherung des Werkstücks. Dünnes Material neigt zum Durchhängen. Stützen Sie das Werkstück auf seiner gesamten Länge ab, um Klemmen des Sägeblatts und möglichen RÜCKSCHLAG zu vermeiden.

► **Abb.36:** 1. Stütze 2. Drehteller



## Gehrungsanschlage

**⚠️ WARNUNG:** Vergewissern Sie sich vor dem Betrieb dieses Werkzeugs, dass der Schiebeanschlag mit der Klemmschraube fest gesichert ist.

**⚠️ WARNUNG:** Vergewissern Sie sich vor der Ausfuhrung von Neigungsschnitten, dass kein Teil des Werkzeugs, besonders das Kreissageblatt, mit den Anschlagen in Beruhung kommt, wenn der Handgriff aus jeder beliebigen Position vollstandig abgesenkt und angehoben und der Schlitten bis zum Anschlag gezogen oder geschoben wird. Falls das Werkzeug oder das Kreissageblatt mit dem Anschlag in Beruhung kommt, kann es zu Ruckschlag oder unerwarteter Verschiebung des Materials mit daraus resultierenden schweren Personenschaden kommen.

Dieses Werkzeug ist mit einem Schiebeanschlag ausgestattet. Wenn Sie linksseitige Neigungsschnitte durchfuhren, losen Sie die Klemmschraube und verschieben Sie den Schiebeanschlag so, dass er die Bewegung des Schlittens nicht behindert. Sichern Sie den Schiebeanschlag, indem Sie die Klemmschraube anziehen.

► **Abb.37:** 1. Schiebeanschlag 2. Gehrungsanschlag  
3. Klemmschraube

## Vertikal-Schraubstock

**⚠️ WARNUNG:** Das Werkstuck muss bei allen Operationen mit dem Schraubstock fest gegen Dreheller und Gehrungsanschlag gesichert werden. Wird das Werkstuck nicht einwandfrei am Anschlag gesichert, kann sich das Material wahrend des Schneidbetriebs verschieben und eine mogliche Beschadigung des Sageblatts verursachen, was zu Herausschleudern des Materials und Verlust der Kontrolle mit daraus resultierenden schweren Personenschaden fuhren kann.

Der Vertikal-Schraubstock kann in die Locher auf der linken Seite des Auflagetisches, auf der rechten Seite des Auflagetisches oder auf der linken Seite der Zusatzauflage installiert werden.

Drucken Sie das Werkstuck flach gegen Gehrungsanschlag und Dreheller. Bringen Sie das Werkstuck in die gewunschte Schnittposition, und sichern Sie es einwandfrei durch Anziehen des Schraubstockknopfes.

Vergewissern Sie sich, dass keine Werkzeugteile mit dem Vertikal-Schraubstock in Beruhung kommen, wenn der Handgriff bis zum Anschlag abgesenkt wird. Falls irgendwelche Teile mit dem Vertikal-Schraubstock in Beruhung kommen, ist der Vertikal-Schraubstock zu versetzen.

► **Abb.38:** 1. Loch 2. Schraubstockknopf

## Zusatzauflage

**⚠️ WARNUNG:** Stutzen Sie ein langes Werkstuck stets so ab, dass es waagrecht zur Oberseite des Drehellers liegt, um akkurate Schnitte auszufuhren und gefahrlichen Verlust der Kontrolle uber das Werkzeug zu verhuten. Korrekte Werkstuckabstutzung tragt zur Vermeidung von Sageblattklemmen und moglichem Ruckschlag bei, was zu schweren Verletzungen fuhren kann.

**⚠️ WARNUNG:** Vergewissern Sie sich vor dem Schneidbetrieb immer, dass die Zusatzauflagen mit den Randelschrauben gesichert sind.

Um lange Werkstucke horizontal zu halten, sind Zusatzauflagen auf beiden Seiten des Werkzeugs vorhanden. Losen Sie die Randelschrauben, und ziehen Sie die Zusatzauflagen auf die entsprechende Lange zum Abstutzen des Werkstucks aus. Ziehen Sie dann die Randelschrauben an.

► **Abb.39:** 1. Zusatzauflage 2. Randelschraube

Platzieren Sie das Werkstuck beim Schneiden flach gegen die Gehrungsanschlage.

► **Abb.40:** 1. Gehrungsanschlag 2. Zusatzauflage

## BETRIEB

Dieses Werkzeug ist zum Schneiden von Holzprodukten vorgesehen. Mit geeigneten Original-Makita-Sageblattern konnen auch die folgenden Materialien gesagt werden:

— Aluminiumprodukte

Besuchen Sie unsere Website, oder wenden Sie sich an Ihren Makita-Handler vor Ort, um zu erfahren, welche Sageblatter fur das zu schneidende Material korrekt sind.

**⚠️ WARNUNG:** Vergewissern Sie sich vor dem Einschalten des Werkzeugs, dass das Sageblatt nicht das Werkstuck usw. beruhrt. Wird das Werkzeug eingeschaltet, wahrend das Kreissageblatt mit dem Werkstuck in Beruhung ist, kann es zu Ruckschlag mit daraus resultierenden schweren Personenschaden kommen.

**⚠️ WARNUNG:** Heben Sie das Sageblatt nach erfolgtem Schnitt erst an, nachdem es zum volligen Stillstand gekommen ist. Das Anheben eines noch rotierenden Sageblatts kann zu schweren Personenschaden und Beschadigung des Werkstucks fuhren.

**⚠️ WARNUNG:** Fuhren Sie keine Einstellungen, wie z. B. Drehen von Griff, Knopf und Hebeln, am Werkzeug durch, wahrend das Sageblatt rotiert. Einstellungen bei rotierendem Sageblatt konnen zu ernsthaften Personenschaden fuhren.

**⚠️ VORSICHT:** Losen Sie den Sagekopf nicht unkontrolliert aus der vollstandig abgesenkten Position. Der unkontrollierte Sagekopf konnte Sie treffen und Personenschaden verursachen.



**ANMERKUNG:** Vor der Benutzung sollten Sie unbedingt den Anschlagstift entriegeln und den Handgriff aus der abgesenkten Position freigeben.

**ANMERKUNG:** Üben Sie beim Schneiden keinen übermäßigen Druck auf den Handgriff aus. Zu starker Druck kann zu Überlastung des Motors und/oder verminderter Schnittleistung führen. Drücken Sie den Handgriff nur mit so viel Kraft nieder, wie für reibungslosen Sägebetrieb notwendig ist, ohne einen beträchtlichen Abfall der Sägeblatt Drehzahl zu verursachen.

**ANMERKUNG:** Drücken Sie den Handgriff zur Ausführung des Schnitts sachte nieder. Bei zu großer oder seitlicher Kraftausübung kann das Sägeblatt in Schwingung versetzt werden, wodurch zusätzliche Sägespuren im Werkstück erzeugt werden und die Schnittgenauigkeit beeinträchtigt werden kann.

**ANMERKUNG:** Schieben Sie den Schlitten bei Schiebesschnitten sachte und ohne anzuhalten zum Gehrungsanschlag. Wird die Schlittenbewegung während des Schnitts unterbrochen, hinterlässt das Sägeblatt eine Markierung im Werkstück, und die Schnittgenauigkeit wird beeinträchtigt.

## Kappschnitt

**⚠️ WARNUNG:** Sperren Sie stets die Gleitbewegung des Schlittens, wenn Sie Kappschnitte durchführen. Schneiden ohne Sperre kann möglichen Rückschlag verursachen, der zu ernsthaften Personenschäden führen kann.

Werkstücke bis zu 65 mm Höhe und 80 mm Breite können auf die folgende Weise geschnitten werden.

1. Schieben Sie den Schlitten bis zum Anschlag gegen den Gehrungsanschlag, und verriegeln Sie ihn mit der Rändelschraube.
2. Sichern Sie das Werkstück mit einem geeigneten Schraubstocktyp.
3. Schalten Sie das Werkzeug ein, ohne dass das Kreissägeblatt Kontakt hat, und warten Sie, bis das Kreissägeblatt seine volle Drehzahl erreicht, bevor Sie es absenken.
4. Senken Sie den Handgriff zum Schneiden des Werkstücks sachte vollständig ab.
5. Wenn der Schnitt ausgeführt ist, schalten Sie das Werkzeug aus, und warten Sie, bis das Kreissägeblatt zum vollständigen Stillstand gekommen ist, bevor Sie das Kreissägeblatt auf seine vollständig angehobene Position zurückführen.

► **Abb.41:** 1. Rändelschraube

## Schiebeschnitt (Schneiden breiter Werkstücke)

**⚠️ WARNUNG:** Ziehen Sie bei jeder Durchführung eines Schiebesschnitts zuerst den Schlitten ganz auf sich zu, und drücken Sie den Handgriff ganz nach unten, bevor Sie den Schlitten auf den Gehrungsanschlag zu schieben. Starten Sie den Schnitt niemals, ohne den Schlitten ganz auf sich zu gezogen zu haben. Wenn Sie den Schiebesschnitt durchführen, ohne den Schlitten ganz auf sich zu gezogen zu haben, kann ein unerwarteter Rückschlag auftreten, der zu schweren Personenschäden führen kann.

**⚠️ WARNUNG:** Versuchen Sie niemals, einen Schiebesschnitt durchzuführen, indem Sie den Schlitten auf sich zu ziehen. Wenn Sie den Schlitten während des Schneidbetriebs auf sich zu ziehen, kann ein unerwarteter Rückschlag verursacht werden, der zu schweren Personenschäden führen kann.

**⚠️ WARNUNG:** Führen Sie niemals einen Schiebesschnitt aus, wenn der Handgriff in der Tiefstellung verriegelt ist.

1. Lösen Sie die Rändelschraube, damit der Schlitten ungehindert gleiten kann.
  2. Sichern Sie das Werkstück mit einem geeigneten Schraubstocktyp.
  3. Ziehen Sie den Schlitten ganz auf sich zu.
  4. Schalten Sie das Werkzeug ein, ohne dass das Kreissägeblatt Kontakt hat, und warten Sie, bis das Sägeblatt seine volle Drehzahl erreicht.
  5. Drücken Sie den Handgriff nach unten, und schieben Sie den Schlitten auf den Gehrungsanschlag zu und durch das Werkstück.
  6. Wenn der Schnitt ausgeführt ist, schalten Sie das Werkzeug aus, und warten Sie, bis das Sägeblatt zum vollständigen Stillstand gekommen ist, bevor Sie das Sägeblatt auf seine vollständig angehobene Position zurückführen.
- **Abb.42:** 1. Rändelschraube

## Gehrungsschnitt

Nehmen Sie auf den Abschnitt zum Einstellen des Gehrungswinkels Bezug.

## Neigungsschnitt

**⚠️ WARNUNG:** Nachdem Sie das Sägeblatt für einen Neigungsschnitt eingestellt haben, vergewissern Sie sich, dass Schlitten und Sägeblatt über den gesamten Bereich des beabsichtigten Schnitts Freigang haben, bevor Sie das Werkzeug in Betrieb nehmen. Eine Unterbrechung des Schlitten- oder Sägeblattwegs während des Schneidbetriebs kann zu einem Rückschlag mit daraus resultierenden schweren Personenschäden führen.

**⚠️ WARNUNG:** Halten Sie Ihre Hände während der Ausführung eines Neigungsschnitts aus dem Weg des Sägeblatts. Der Winkel des Sägeblatts kann den Bediener hinsichtlich des tatsächlichen Sägeblattwegs während des Schneidbetriebs verwirren, und Kontakt mit dem Sägeblatt kann zu schweren Personenschäden führen.

**⚠️ WARNUNG:** Heben Sie das Sägeblatt erst an, nachdem es zum völligen Stillstand gekommen ist. Während eines Neigungsschnitts kann das abgesägte Stück am Sägeblatt anliegen. Wird das Sägeblatt in rotierendem Zustand angehoben, kann das abgesägte Stück vom Sägeblatt herausgeschleudert werden, so dass das Material zersplittert, was zu schweren Personenschäden führen kann.

**ANMERKUNG:** Wenn Sie den Handgriff niederdrücken, üben Sie den Druck parallel zum Sägeblatt aus. Falls eine Kraft senkrecht zum Drehteller ausgeübt oder die Druckrichtung während eines Schnitts geändert wird, kann die Genauigkeit des Schnitts beeinträchtigt werden.

1. Stellen Sie den Schiebeanschlag links ein, um ein Anschlagen des Schlittens zu verhindern.
2. Entriegeln Sie den Anschlagstift und lösen Sie die Rändelschraube am Arm, damit der Schlitten angehoben und frei geschoben werden kann.
3. Stellen Sie den Neigungswinkel nach dem im Abschnitt zum Einstellen des Neigungswinkels erläuterten Verfahren ein. Ziehen Sie dann den Griff fest.
4. Spannen Sie das Werkstück mit einem Schraubstock ein.
5. Ziehen Sie den Schlitten ganz auf sich zu.
6. Schalten Sie das Werkzeug ein, ohne dass das Kreissägeblatt Kontakt hat, und warten Sie, bis das Kreissägeblatt seine volle Drehzahl erreicht.
7. Senken Sie dann den Handgriff sachte auf die vollständig abgesenkte Stellung ab, während Sie Druck parallel zum Kreissägeblatt ausüben, und **schieben Sie den Schlitten auf den Gehruganschlagnag zu, um das Werkstück zu schneiden.**
8. Wenn der Schnitt ausgeführt ist, schalten Sie das Werkzeug aus, und **warten Sie, bis das Kreissägeblatt zum vollständigen Stillstand gekommen ist**, bevor Sie das Sägeblatt auf seine vollständig angehobene Position zurückführen.

► **Abb.43**

## Compoundschnitt

Unter Compoundschnitt versteht man das Schneiden eines Werkstücks mit gleichzeitiger Gehrug- und Neigungswinkleinstellung. Compoundschnitte können in dem in der nachstehenden Tabelle angegebenen Winkel durchgeführt werden.

Gehrugswinkel	Neigungswinkel
Links und Rechts 0° - 45°	Links 0° - 45°

Nehmen Sie zur Durchführung von Compoundschnitten auf den Abschnitt für Kappschnitt, Schiebeschnitt, Gehrugsschnitt und Neigungsschnitt Bezug.

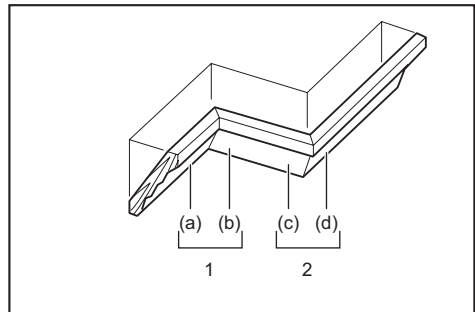
## Schneiden von Decken- und Hohlleisten

Decken- und Hohlleisten können flach auf dem Drehteller liegend mit einer Kapp- und Gehrugssäge geschnitten werden.

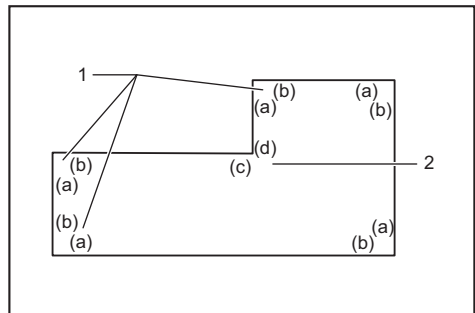
Es gibt zwei allgemeine Deckenleistentypen und einen Hohlleistentyp: Deckenleiste mit 52/38° Wandwinkel, Deckenleiste mit 45° Wandwinkel und Hohlleiste mit 45° Wandwinkel.

- **Abb.44:**
1. 52/38°-Deckenleistentyp
  2. 45°-Deckenleistentyp
  3. 45°-Hohlleistentyp

Es gibt Decken- und Hohlleistenstöße, die in 90°-Innenecken ((a) und (b) in der Abbildung) und 90°-Außenecken ((c) und (d) in der Abbildung) passen.



1. Innenecke 2. Außenecke



1. Innenecke 2. Außenecke

## Messen

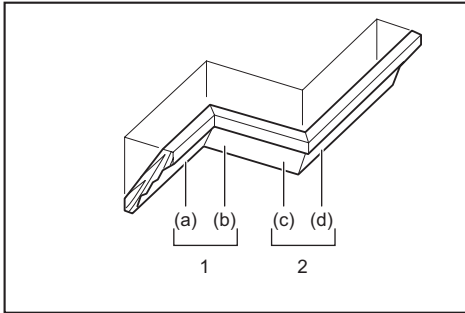
Messen Sie die Wandbreite, und stellen Sie die Breite des Werkstücks dementsprechend ein. Vergewissern Sie sich stets, dass die Breite der Wandkontaktkante des Werkstücks der Wandlänge entspricht.

► **Abb.45:** 1. Werkstück 2. Wandbreite 3. Breite des Werkstücks 4. Wandkontaktkante

Verwenden Sie stets mehrere Stücke für Probeschnitte, um die Sägewinkel zu überprüfen.

Wenn Sie Decken- und Hohlleisten schneiden, stellen Sie den Neigungs- und Gehrungswinkel gemäß den Angaben in Tabelle (A) ein, und legen Sie die Leisten auf die Oberseite der Grundplatte, wie in Tabelle (B) angegeben.

## Im Falle eines Linksneigungschnitts



1. Innenecke 2. Außenecke

Tabelle (A)

–	Leistenposition in der Abbildung	Neigungswinkel		Gehrungswinkel	
		52/38°-Typ	45°-Typ	52/38°-Typ	45°-Typ
Für Innenecke	(a)	Links 33,9°	Links 30°	Rechts 31,6°	Rechts 35,3°
	(b)			Links 31,6°	Links 35,3°
Für Außenecke	(c)			Rechts 31,6°	Rechts 35,3°
	(d)				

Tabelle (B)

–	Leistenposition in der Abbildung	Leistenkante gegen Gehrungsanschlag	Fertiges Stück
Für Innenecke	(a)	Die Deckenkontaktkante muss am Gehrungsanschlag anliegen.	Das fertige Stück befindet sich auf der linken Seite des Kreissägeblatts.
	(b)	Die Wandkontaktkante muss am Gehrungsanschlag anliegen.	
Für Außenecke	(c)	Die Deckenkontaktkante muss am Gehrungsanschlag anliegen.	Das fertige Stück befindet sich auf der rechten Seite des Kreissägeblatts.
	(d)	Die Deckenkontaktkante muss am Gehrungsanschlag anliegen.	

Beispiel:

Schneiden einer 52/38°-Deckenleiste für Position (a) in der obigen Abbildung:

- Neigungswinkel auf 33,9° LINKS einstellen und sichern.
- Gehrungswinkel auf 31,6° RECHTS einstellen und sichern.
- Legen Sie die Deckenleiste mit ihrer breiten (verborgenen) Rückseite auf den Drehteller, so dass ihre DECKENKONTAKTKANTE am Gehrungsanschlag der Säge anliegt.
- Das zu verwendende fertige Stück befindet sich nach der Ausführung des Schnitts immer auf der LINKEN Seite des Kreissägeblatts.

## Schneiden von Aluminium-Strangpressprofilen

Verwenden Sie zum Einspannen von Aluminium-Strangpressprofilen Distanzblöcke oder Abfallholzstücke, wie in der Abbildung gezeigt, um eine Verformung des Aluminiums zu vermeiden. Verwenden Sie Schneidschmiermittel zum Schneiden von Aluminium-Strangpressprofilen, um die Ablagerung von Aluminium-Rückständen am Kreissägeblatt zu verhüten.

**⚠️ WARNUNG:** Versuchen Sie niemals, dicke oder runde Aluminium-Strangpressprofile zu schneiden. Dicke oder runde Aluminium-Strangpressprofile können schwierig zu sichern sein. Sie können sich während des Schneidbetriebs lockern, was zu Verlust der Kontrolle und ernsthaften Personenschäden führen kann.

► **Abb.46:** 1. Schraubstock 2. Distanzblock 3. Gehrungsanschlag 4. Aluminium-Strangpressprofil 5. Distanzblock

## Wiederholtes Schneiden auf gleiche Länge

Wenn Sie mehrere Materialstücke auf die gleiche Länge von 225 mm bis 350 mm schneiden, ziehen Sie die Anschlagplatte wie in der Abbildung gezeigt hoch. Sichern Sie das Werkstück in der Position, in der es geschnitten werden soll. Schieben Sie die rechte Zusatzauflage so, dass die Anschlagplatte bündig mit dem Ende des Werkstücks abschließt. Sichern Sie dann die Zusatzauflage mit der Rändelschraube.

► **Abb.47:** 1. Anschlagplatte 2. Rändelschraube

## Nutenschneiden

**⚠️ WARNUNG:** Versuchen Sie nicht, derartige Schnitte mit einem breiteren Sägeblatt oder einem Dado-Sägeblatt auszuführen. Der Versuch, einen Nutenschnitt mit einem breiteren Sägeblatt oder Dado-Sägeblatt durchzuführen, könnte zu unerwarteten Schnittergebnissen und Rückschlag führen, was schwere Personenschäden zur Folge haben könnte.

**⚠️ WARNUNG:** Stellen Sie den Anschlagarm unbedingt wieder auf die Ausgangsstellung zurück, wenn Sie andere Schnitte als Nutenschnitte ausführen. Der Versuch, Schnitte mit dem Anschlagarm in der falschen Position durchzuführen, könnte zu unerwarteten Schnittergebnissen und Rückschlag führen, was schwere Personenschäden zur Folge haben könnte.

Führen Sie Dado-Schnitte wie folgt aus:

1. Stellen Sie die untere Grenzposition des Kreissägeblatts mit der Einstellschraube und dem Anschlagarm ein, um die Schnitttiefe des Kreissägeblatts zu begrenzen. Nehmen Sie auf den Abschnitt für den Anschlagarm Bezug.
2. Nachdem Sie die untere Grenzposition des Kreissägeblatts eingestellt haben, schneiden Sie mittels Schiebesschnitt parallele Nuten über die Breite des Werkstücks.  
▶ **Abb.48:** 1. Nuten mit dem Sägeblatt schneiden
3. Heben Sie dann das Werkstückmaterial zwischen den Nuten mit einem Stemmeisen aus.

## Tragen des Werkzeugs

Bevor Sie das Werkzeug tragen, stellen Sie sicher, dass das Werkzeug vom Stromnetz getrennt ist und alle beweglichen Teile des Werkzeugs gesichert sind. Überprüfen Sie stets Folgendes:

- Das Werkzeug ist vom Stromnetz getrennt.
- Der Schlitten befindet sich in der 0°-Neigungswinkelposition und ist gesichert.
- Der Schlitten ist abgesenkt und verriegelt.
- Der Schlitten ist vollständig zu Ihnen geschoben und verriegelt.
- Der Drehteller befindet sich an der rechten Gehrungswinkel-Anschlagposition und ist gesichert.

Tragen Sie das Werkzeug, indem Sie den Tragegriff und eine Seite des Auflagetisches halten oder indem Sie beide Seiten des Auflagetisches halten.

▶ **Abb.49**

▶ **Abb.50**

**⚠️ WARNUNG:** Der Anschlagstift für die Schlitterhöhung dient nur zu Trage-, Lager- und Einstellzwecken und nicht für Schneidoperationen. Der Gebrauch des Anschlagstifts für Schneidarbeiten kann eine unerwartete Bewegung des Kreissägeblatts verursachen, die zu Rückschlag und schweren Personenschäden führen kann.

**⚠️ VORSICHT:** Sichern Sie stets alle beweglichen Teile, bevor Sie das Werkzeug tragen. Falls Teile des Werkzeugs sich beim Tragen bewegen oder verschieben, kann es zu Verlust der Kontrolle oder Balance kommen, was Personenschäden zur Folge haben kann.

**⚠️ VORSICHT:** Vergewissern Sie sich, dass die Schlittenanhebung an ihrer Unterseite durch den Anschlagstift ordnungsgemäß verriegelt ist. Falls der Anschlagstift nicht ordnungsgemäß eingerückt ist, kann der Schlitten plötzlich hoch springen und Personenschäden verursachen.

## WARTUNG

**⚠️ WARNUNG:** Vergewissern Sie sich vor der Durchführung von Überprüfungen oder Wartungsarbeiten stets, dass das Werkzeug ausgeschaltet und vom Stromnetz getrennt ist. Das Versäumnis, das Werkzeug vom Stromnetz zu trennen und auszuschalten, kann versehentliches Anlaufen und schwere Verletzungen verursachen.

**⚠️ WARNUNG:** Achten Sie stets darauf, dass das Sägeblatt scharf und sauber ist, um die bestmögliche und sicherste Leistung zu erzielen. Der Versuch, einen Schnitt mit einem stumpfen und/oder verschmutzten Sägeblatt auszuführen, kann Rückschlag verursachen und zu schweren Personenschäden führen.

**ANMERKUNG:** Verwenden Sie auf keinen Fall Benzin, Waschbenzin, Verdünner, Alkohol oder dergleichen. Solche Mittel können Verfärbung, Verformung oder Rissbildung verursachen.

Um die SICHERHEIT und ZUVERLÄSSIGKEIT dieses Produkts zu gewährleisten, sollten Reparaturen und andere Wartungs- oder Einstellarbeiten nur von Makita-Vertragswerkstätten oder Makita-Kundendienstzentren unter ausschließlicher Verwendung von Makita-Originalersatzteilen ausgeführt werden.

## Einstellen des Schnittwinkels

Dieses Werkzeug wurde werksseitig sorgfältig eingestellt und justiert, doch grobe Behandlung kann die Justierung beeinträchtigen. Sollte Ihr Werkzeug einer Nachjustierung bedürfen, gehen Sie folgendermaßen vor:

### Gehrungswinkel

1. Verriegeln Sie den Schlitten in der abgesenkten Position mit dem Anschlagstift. Schieben Sie den Schlitten an den Gehrungsanschlag heran, und sichern Sie ihn durch Anziehen der Rändelschraube.
2. Stellen Sie den Drehteller mit der Festanschlagfunktion auf die 0°-Position. (Falls der Zeiger nicht auf 0° zeigt, belassen Sie ihn so, wie er ist.)
3. Lösen Sie die Innensechskantschrauben, die den Gehrungsanschlag halten, mit dem Inbusschlüssel.  
▶ **Abb.51:** 1. Anschlagstift 2. Rändelschraube 3. Innensechskantschrauben

4. Bringen Sie die Seitenfläche des Sägeblatts mit Hilfe eines Einstelldreiecks oder Anschlagwinkels in den rechten Winkel mit der Fläche des Gehrungsanschlags. Ziehen Sie dann die Innensechskantschrauben am Gehrungsanschlag von der rechten Seite her sicher an.  
► **Abb.52:** 1. Gehrungsanschlag 2. Einstelldreieck

5. Falls der Zeiger nicht auf 0° zeigt, lösen Sie die Schraube, die den Zeiger sichert, und stellen Sie den Zeiger so ein, dass er auf 0° zeigt.  
► **Abb.53:** 1. Schraube 2. Zeiger  
3. Gehrungswinkelskala

## Neigungswinkel

### 0°-Neigungswinkel

1. Verriegeln Sie den Schlitten in der abgesehenen Position mit dem Anschlagstift. Schieben Sie den Schlitten an den Gehrungsanschlag heran, und sichern Sie ihn durch Anziehen der Rändelschraube.

2. Lösen Sie den Hebel. Drehen Sie dann die 0°-Einstellschraube um zwei oder drei Umdrehungen entgegen dem Uhrzeigersinn, um das Kreissägeblatt nach rechts zu neigen.  
► **Abb.54:** 1. Hebel 2. 0°-Einstellschraube

3. Bringen Sie die Seitenfläche des Sägeblatts mit Hilfe eines Einstelldreiecks, Anschlagwinkels usw. in den rechten Winkel mit der Drehtelleroberfläche, indem Sie die 0°-Einstellschraube im Uhrzeigersinn drehen. Ziehen Sie dann den Hebel sicher fest, um den eingestellten 0°-Winkel zu sichern.  
► **Abb.55:** 1. Einstelldreieck 2. Sägeblatt  
3. Drehteller-Oberfläche

4. Falls der Zeiger nicht auf 0° zeigt, lösen Sie die Schraube, die den Zeiger sichert, und stellen Sie den Zeiger so ein, dass er auf 0° zeigt.  
► **Abb.56:** 1. Schraube 2. Zeiger  
3. Neigungswinkelskala

### 45°-Neigungswinkel

**ANMERKUNG:** Bevor Sie den 45°-Neigungswinkel einstellen, beenden Sie die 0°-Neigungswinkeleinstellung.

1. Ziehen Sie die Rändelschraube an, um den Schlitten zu sichern.
2. Lösen Sie den Hebel. Neigen Sie dann den Schlitten vollständig nach links.  
► **Abb.57:** 1. Rändelschraube 2. Hebel
3. Prüfen Sie, ob der Zeiger die 45°-Position auf der Neigungswinkelskala anzeigt.

Falls der Zeiger nicht die 45°-Position anzeigt, richten Sie ihn durch Drehen der 45°-Einstellschraube auf die 45°-Position aus.

- **Abb.58:** 1. 45°-Einstellschraube

## Auswechseln der Kohlebürsten

Die Kohlebürsten müssen regelmäßig entfernt und überprüft werden. Wenn sie bis zur Verschleißgrenze abgenutzt sind, müssen sie erneuert werden. Halten Sie die Kohlebürsten stets sauber, damit sie ungehindert in den Haltern gleiten können. Beide Kohlebürsten sollten gleichzeitig ausgewechselt werden. Verwenden Sie nur identische Kohlebürsten.

- **Abb.59:** 1. Verschleißgrenze

Drehen Sie die Bürstenhalterkappen mit einem Schraubendreher heraus. Nehmen Sie die abgenutzten Kohlebürsten heraus, setzen Sie die neuen ein, und drehen Sie dann die Bürstenhalterkappen wieder ein.

- **Abb.60:** 1. Bürstenhalterkappe

## Nach dem Gebrauch

Wischen Sie nach dem Gebrauch am Werkzeug haftende Späne und Staub mit einem Tuch oder dergleichen ab. Halten Sie die Sägeblattschutzhaube gemäß den Anweisungen im vorhergehenden Abschnitt „Sägeblattschutzhaube“ sauber. Schmieren Sie die Gleitteile des Werkzeugs mit Öl, um Rostbildung zu verhindern.

## SONDERZUBEHÖR

**⚠️ WARNUNG:** Die folgenden Makita-Zubehöerteile oder Vorrichtungen werden für den Einsatz mit dem in dieser Anleitung beschriebenen Makita-Werkzeug empfohlen. Der Gebrauch anderer Zubehöerteile oder Vorrichtungen kann zu schweren Personenschäden führen.

**⚠️ WARNUNG:** Verwenden Sie die Makita-Zubehöerteile oder -Vorrichtungen nur für ihren vorgesehenen Zweck. Fehlgebrauch eines Zubehöerteils oder einer Vorrichtung kann zu schweren Verletzungen führen.

Wenn Sie weitere Einzelheiten bezüglich dieser Zubehöerteile benötigen, wenden Sie sich bitte an Ihre Makita-Kundendienststelle.

- Hartmetallbestücktes Stahlsägeblatt
- Vertikal-Schraubstock
- Staubsack
- Einstelldreieck
- Inbusschlüssel
- Ständersatz

**HINWEIS:** Manche Teile in der Liste können als Standardzubehör im Werkzeugsatz enthalten sein. Sie können von Land zu Land unterschiedlich sein.

## DATI TECNICI

<b>Modello:</b>		<b>LS0816F</b>
Diametro lama		216 mm
Diametro foro	Nazioni europee	30 mm
	Nazioni diverse dall'Europa	25,4 mm o 30 mm (a seconda della nazione)
Spessore max. di taglio della lama		2,8 mm
Angolo di taglio obliquo max.		A sinistra 47°, a destra 47°
Angolo di taglio a unghia max.		A sinistra 47°, a destra 2°
Velocità a vuoto (giri/min)		5.000 min <sup>-1</sup>
Dimensioni (L x P x A)		476 mm x 705 mm x 521 mm
Peso netto		13,9 kg
Classe di sicurezza		□/II

- In conseguenza del nostro programma di ricerca e sviluppo continui, i dati tecnici nel presente manuale sono soggetti a modifiche senza preavviso.
- I dati tecnici possono variare da nazione a nazione.
- Peso in base alla procedura EPTA 01/2014

### Capacità di taglio (A x P) con lama da ø 216 mm

Angolo di taglio obliquo	Angolo di taglio a unghia		
	45° (a sinistra)	0°	2° (a destra)
0°	36 mm x 305 mm	65 mm x 305 mm	60 mm x 305 mm
45° (a sinistra e a destra)	36 mm x 215 mm	65 mm x 215 mm	-

## Simboli

Le figure seguenti mostrano i simboli utilizzati per l'apparecchio. Accertarsi di comprenderne il significato prima dell'uso.



Leggere il manuale d'uso.



DOPPIO ISOLAMENTO



Indossare occhiali di sicurezza.



Per evitare lesioni personali causate da frammenti volanti, dopo aver effettuato dei tagli, mantenere la testa della sega rivolta verso il basso fino all'arresto completo della lama.



Quando si intende eseguire un taglio a scorrimento, innanzitutto tirare completamente il carrello e premere verso il basso la maniglia, quindi spingere il carrello verso la guida pezzo.



Non posizionare la mano o le dita in prossimità della lama.



Regolare le guide scorrevoli correttamente affinché non entrino in contatto con la lama e la protezione lama.



Non fissare lo sguardo sulla lampada accesa.



Solo per le nazioni dell'EU  
A causa della presenza di componenti pericolosi nelle apparecchiature, le apparecchiature elettriche ed elettroniche usate potrebbero produrre un impatto negativo sull'ambiente e sulla salute umana. Non smaltire elettrodomestici elettrici ed elettronici insieme ai rifiuti domestici! In conformità alla direttiva europea sui rifiuti di apparecchiature elettriche ed elettroniche (RAEE), e al suo adattamento alle normative nazionali, le apparecchiature elettriche ed elettroniche usate vanno sottoposte a raccolta differenziata e conferite a un punto di raccolta separato per i rifiuti comunali, operando in conformità alle normative per la protezione dell'ambiente. Tale requisito viene indicato mediante il simbolo del bidone della spazzatura con ruote barrato apposto sull'apparecchio.

## Utilizzo previsto

Questo utensile va utilizzato per eseguire tagli di precisione diritti e obliqui nel legno. Con le lame appropriate, è possibile segare anche l'alluminio. Per i dettagli, fare riferimento alla sezione FUNZIONAMENTO.

## Alimentazione

L'utensile deve essere collegato a una fonte di alimentazione con la stessa tensione indicata sulla targhetta del nome, e può funzionare solo a corrente alternata monofase. L'utensile è dotato di doppio isolamento, per cui può essere utilizzato con prese elettriche sprovviste di messa a terra.

## Rumore

Livello tipico di rumore pesato A determinato in base allo standard EN62841-3-9:

Livello di pressione sonora ( $L_{pA}$ ): 91 dB (A)

Livello di potenza sonora ( $L_{WA}$ ): 102 dB (A)

Incertezza (K): 3 dB (A)

**NOTA:** Il valore o i valori dichiarati delle emissioni di rumori sono stati misurati in conformità a un metodo standard di verifica, e possono essere utilizzati per confrontare un utensile con un altro.

**NOTA:** Il valore o i valori dichiarati delle emissioni di rumori possono venire utilizzati anche per una valutazione preliminare dell'esposizione.

**⚠AVVERTIMENTO:** Indossare protezioni per le orecchie.

**⚠AVVERTIMENTO:** L'emissione di rumori durante l'utilizzo effettivo dell'utensile elettrico può variare rispetto al valore o ai valori dichiarati, a seconda dei modi in cui viene utilizzato l'utensile e specialmente a seconda di che tipo di pezzo venga lavorato.

**⚠AVVERTIMENTO:** Accertarsi di identificare misure di sicurezza per la protezione dell'operatore che siano basate su una stima dell'esposizione nelle condizioni effettive di utilizzo (tenendo conto di tutte le parti del ciclo operativo, ad esempio del numero di spegnimenti dell'utensile e di quando giri a vuoto, oltre al tempo di attivazione).

## Dichiarazioni di conformità

*Solo per i paesi europei*

Le Dichiarazioni di conformità sono incluse nell'Allegato A al presente manuale d'uso.

## AVVERTENZE DI SICUREZZA

### Avvertenze generali relative alla sicurezza dell'utensile elettrico

**⚠AVVERTIMENTO** Leggere tutte le avvertenze di sicurezza, le istruzioni, le illustrazioni e i dati tecnici forniti insieme a questo utensile elettrico. La mancata osservanza di tutte le istruzioni seguenti potrebbe risultare in scosse elettriche, incendi e/o gravi lesioni personali.

## Conservare tutte le avvertenze e le istruzioni come riferimento futuro.

Il termine "utensile elettrico" nelle avvertenze si riferisce sia all'utensile elettrico (cablato) nel funzionamento alimentato da rete elettrica che all'utensile elettrico (a batteria) nel funzionamento alimentato a batteria.

### Sicurezza dell'area di lavoro

1. **Mantenere l'area di lavoro pulita e ben illuminata.** Aree ingombre o scarsamente illuminate provocano incidenti.
2. **Non utilizzare utensili elettrici in atmosfere esplosive, ad esempio in presenza di liquidi, gas o polveri infiammabili.** Gli utensili elettrici creano scintille che potrebbero incendiare le polveri o i fumi.
3. **Tenere bambini e persone di passaggio lontani durante l'utilizzo di un utensile elettrico.** Le distrazioni possono causare la perdita del controllo da parte dell'operatore.

### Sicurezza elettrica

1. **Le spine degli utensili elettrici devono essere del tipo corrispondente alla presa elettrica. Non modificare mai la spina in alcun modo. Non utilizzare spinotti adattatori di alcun genere con strumenti elettrici collegati a massa (messi a terra).** Spine non modificate e prese elettriche che siano del tipo corrispondente riducono il rischio di scosse elettriche.
2. **Evitare il contatto del corpo con superfici collegate a massa o messe a terra quali tubazioni, radiatori, cucine e frigoriferi.** Qualora il corpo dell'operatore sia collegato a massa o messo a terra sussiste un maggior rischio di scosse elettriche.
3. **Non esporre gli utensili elettrici alla pioggia o a condizioni di bagnato.** La penetrazione dell'acqua in un utensile elettrico incrementa il rischio di scosse elettriche.
4. **Non sottoporre il cavo a utilizzi impropri. Non utilizzare mai il cavo per trasportare, tirare o scollegare dall'alimentazione l'utensile elettrico. Tenere il cavo lontano da fonti di calore, bordi affilati o parti in movimento.** Cavi danneggiati o attorcigliati incrementano il rischio di scosse elettriche.
5. **Durante l'utilizzo di un utensile elettrico all'aperto, utilizzare un cavo di prolunga appropriato per l'utilizzo all'aperto.** L'uso di un cavo appropriato per l'utilizzo all'aperto riduce il rischio di scosse elettriche.
6. **Qualora non sia possibile evitare di utilizzare un utensile elettrico in un'ubicazione umida, utilizzare una fonte di alimentazione dotata di dispositivo di protezione dalle correnti di guasto (RCD - Residual Current Device).** L'uso di un RCD riduce il rischio di scosse elettriche.
7. **È sempre consigliato l'utilizzo di un'alimentazione attraverso un dispositivo di protezione dalle correnti di guasto (RCD - Residual Current Device) con corrente residua nominale di 30 mA o inferiore.**

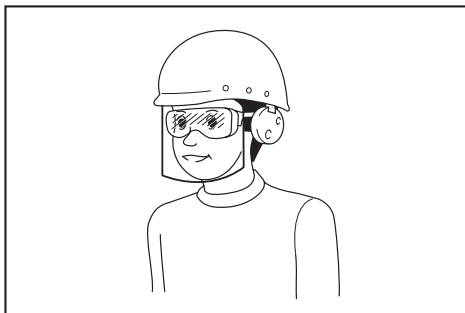


8. **Gli utensili elettrici possono produrre campi elettromagnetici (EMF) che non sono dannosi per l'utente.** Tuttavia, chi utilizza pacemaker e altri dispositivi medici simili dovrebbe contattare il produttore del dispositivo in questione utilizzato e/o un medico per chiedere consigli, prima di utilizzare il presente utensile elettrico.
9. **Non toccare la spina dell'alimentazione elettrica con le mani bagnate.**
10. **Qualora il cavo elettrico sia danneggiato, farlo riparare dal produttore o da un suo rappresentante per evitare pericoli relativi alla sicurezza.**

#### Sicurezza personale

1. **Restare ben attenti, fare attenzione a cosa si sta facendo e utilizzare il buon senso durante l'uso di un utensile elettrico. Non utilizzare un utensile elettrico quando si è stanchi o sotto l'influenza di droghe, alcolici o farmaci.** Un attimo di disattenzione durante l'utilizzo di utensili elettrici può risultare in gravi lesioni personali.
2. **Utilizzare attrezzature di protezione personale. Indossare sempre occhiali di protezione.**  
Attrezzature di protezione quali maschere anti-polvere, scarpe di sicurezza antiscivolo, elmetti o protezioni per le orecchie utilizzati per le condizioni appropriate riducono le lesioni personali.
3. **Evitare l'avvio accidentale. Assicurarsi che l'interruttore sia sulla posizione di spento (off) prima di collegare la fonte di alimentazione elettrica e/o la batteria e prima di sollevare o trasportare l'utensile.** Il trasporto di utensili elettrici con il dito appoggiato sull'interruttore o il collegamento all'alimentazione elettrica di utensili elettrici con l'interruttore di accensione attivato provoca incidenti.
4. **Rimuovere qualsiasi brugola o chiave di regolazione prima di accendere l'utensile elettrico.** Una chiave o una brugola lasciate agganciate a una parte rotante dell'utensile elettrico potrebbero risultare in lesioni personali.
5. **Non allungarsi eccessivamente. Mantenere sempre un punto d'appoggio e un equilibrio appropriati.** Ciò consente un miglior controllo dell'utensile elettrico in situazioni impreviste.
6. **Vestirsi in modo adeguato. Non indossare indumenti abbondanti o gioielli. Tenere i capelli e gli indumenti lontani dalle parti in movimento.** Indumenti abbondanti, gioielli o capelli lunghi possono restare impigliati nelle parti in movimento.
7. **Qualora vengano forniti dispositivi per il collegamento di strumenti di estrazione e raccolta delle polveri, assicurarsi che tali strumenti siano collegati e utilizzati correttamente.** L'utilizzo della raccolta delle polveri può ridurre i pericoli relativi alle polveri.
8. **Non lasciare che la familiarità acquisita mediante l'uso frequente degli utensili porti a un eccesso di fiducia e a ignorare i principi di sicurezza relativi agli utensili stessi.** Un'operazione incauta potrebbe causare gravi lesioni personali in una frazione di secondo.

9. **Indossare sempre occhiali protettivi per proteggere gli occhi da lesioni personali, quando si utilizzano utensili elettrici. Gli occhiali devono essere conformi allo standard ANSI Z87.1 negli Stati Uniti, allo standard EN 166 in Europa o allo standard AS/NZS 1336 in Australia/Nuova Zelanda. In Australia/Nuova Zelanda, è obbligatorio per legge indossare anche una visiera per proteggere il volto.**



È responsabilità del datore di lavoro far rispettare l'utilizzo delle attrezzature protettive di sicurezza appropriate da parte degli operatori degli utensili e di altre persone nell'area di lavoro e nelle immediate vicinanze.

#### Uso e manutenzione dell'utensile elettrico

1. **Non forzare l'utensile elettrico. Utilizzare l'utensile elettrico appropriato per la propria applicazione.** L'utensile elettrico appropriato consente di svolgere il lavoro in modo migliore e più sicuro alla velocità per la quale è stato progettato.
2. **Non utilizzare l'utensile elettrico qualora l'interruttore non consenta di accenderlo e spegnerlo.** Qualsiasi utensile elettrico che non possa essere controllato mediante l'interruttore è pericoloso deve essere riparato.
3. **Prima di effettuare qualsiasi regolazione, sostituire gli accessori o riporre gli utensili elettrici, scollegare la presa elettrica dalla fonte di alimentazione e/o rimuovere la batteria, se rimovibile, dall'utensile elettrico.** Tali misure di sicurezza preventive riducono il rischio di avviare accidentalmente l'utensile elettrico.
4. **Conservare gli utensili elettrici inutilizzati fuori dalla portata dei bambini, e non consentire a persone che non abbiano familiarità con l'utensile elettrico o con il presente manuale di utilizzare l'utensile elettrico.** Gli utensili elettrici sono pericolosi nelle mani di utenti inesperti.
5. **Sottoporre a manutenzione gli utensili elettrici e i relativi accessori. Verificare l'eventuale presenza di disallineamenti o inceppamenti delle parti mobili, rottura delle parti e di qualsiasi altra condizione che potrebbe influenzare negativamente il funzionamento dell'utensile elettrico. Qualora l'utensile elettrico sia danneggiato, farlo riparare prima dell'uso.** Molti incidenti sono causati da utensili elettrici sottoposti a manutenzione insufficiente.
6. **Mantenere gli utensili da taglio affilati e puliti.** Gli utensili da taglio sottoposti a manutenzione corretta e con lame affilate hanno una minore probabilità di gripparsi e sono più facili da controllare.

7. **Utilizzare l'utensile elettrico, gli accessori, le punte degli utensili, e così via, in conformità alle presenti istruzioni, tenendo conto delle condizioni di lavoro e del lavoro da eseguire.** L'utilizzo dell'utensile elettrico per operazioni diverse da quelle previste può risultare in una situazione di pericolo.
  8. **Tenere le maniglie e le superfici di impugnatura asciutte, pulite e prive di olio e grasso.** Maniglie e superfici di impugnatura scivolose non consentono di maneggiare e controllare in sicurezza l'utensile in situazioni impreviste.
  9. **Quando si utilizza l'utensile, non indossare guanti da lavoro in stoffa, che potrebbero restare impigliati.** Qualora dei guanti da lavoro in stoffa restino impigliati nelle parti mobili, si potrebbero causare lesioni personali.
5. **Non attraversare mai con la mano la linea di taglio stabilita, né davanti né dietro la lama.** È molto pericoloso sostenere il pezzo in lavorazione "con la mano incrociata", vale a dire mantenendo il pezzo in lavorazione a destra della lama con la mano sinistra o viceversa.

► Fig.1

6. **Non allungare le mani dietro la guida a una distanza inferiore a 100 mm da entrambi i lati della lama, per rimuovere sfridi di legno o per qualsiasi altro motivo, mentre la lama sta ruotando.** La prossimità della lama in rotazione alla mano potrebbe non risultare evidente, e si potrebbero subire gravi lesioni personali.
7. **Ispezionare il pezzo in lavorazione prima di effettuare il taglio.** Qualora il pezzo in lavorazione sia curvato o distorto, fissarlo con una morsa con il lato esterno curvato rivolto verso la guida. Accertarsi sempre che non vi siano spazi tra il pezzo in lavorazione, la guida e il tavolo lungo la linea di taglio. Pezzi in lavorazione piegati o distorti possono torcersi o spostarsi, e potrebbero causare l'inceppamento della lama in rotazione durante il taglio. Nel pezzo in lavorazione non devono essere presenti chiodi o corpi estranei.

#### Assistenza tecnica

1. **Per l'assistenza tecnica relativa all'utensile elettrico, rivolgersi a un riparatore qualificato che utilizzi solo pezzi di ricambio identici.** In tal modo, si garantisce che la sicurezza dell'utensile elettrico venga preservata.
2. **Seguire le istruzioni per la lubrificazione e la sostituzione degli accessori.**

### Istruzioni di sicurezza relative alle troncatrici

1. **Le troncatrici sono destinate a tagliare legno o prodotti simili al legno, non possono essere utilizzate con mole abrasive per il taglio di materiali ferrosi quali barre, aste, montanti, e così via.** La polvere abrasiva causa l'inceppamento delle parti mobili, ad esempio della protezione inferiore. Le scintille dovute al taglio abrasivo bruciano la protezione inferiore, la placchetta di taglio e altre parti in plastica.
2. **Utilizzare sempre delle morse per sostenere il pezzo in lavorazione, se possibile. Qualora si mantenga il pezzo in lavorazione con le mani, è necessario sempre tenere la mano ad almeno 100 mm da entrambi i lati della lama. Non utilizzare questa sega per tagliare pezzi che siano troppo piccoli per poter essere fissati saldamente con delle morse o mantenuti in mano.** Qualora si posizioni la mano troppo vicina alla lama, sussiste un maggior rischio di lesioni personali dovute al contatto con la lama.
3. **Il pezzo in lavorazione deve essere immobile e fissato con delle morse o tenuto fermo appoggiandolo sia contro la guida che contro il tavolo. Non passare il pezzo in lavorazione nella lama né tagliarlo "a mani libere" in alcun modo.** Pezzi in lavorazione non bloccati o in movimento potrebbero venire scagliati ad alte velocità, causando lesioni personali.
4. **Spingere la sega attraverso il pezzo in lavorazione. Non tirare la sega attraverso il pezzo in lavorazione. Per effettuare un taglio, sollevare la testa della sega e tirarla verso l'esterno sopra il pezzo in lavorazione senza tagliare, avviare il motore, premere la testa della sega verso il basso e spingere la sega attraverso il pezzo in lavorazione.** Qualora si tagli durante il movimento per tirare la sega, è probabile che la lama fuoriesca al di sopra del pezzo in lavorazione e che il gruppo lama venga scagliato con violenza verso l'operatore.
5. **Non attraversare mai con la mano la linea di taglio stabilita, né davanti né dietro la lama.** È molto pericoloso sostenere il pezzo in lavorazione "con la mano incrociata", vale a dire mantenendo il pezzo in lavorazione a destra della lama con la mano sinistra o viceversa.
6. **Non allungare le mani dietro la guida a una distanza inferiore a 100 mm da entrambi i lati della lama, per rimuovere sfridi di legno o per qualsiasi altro motivo, mentre la lama sta ruotando.** La prossimità della lama in rotazione alla mano potrebbe non risultare evidente, e si potrebbero subire gravi lesioni personali.
7. **Ispezionare il pezzo in lavorazione prima di effettuare il taglio. Qualora il pezzo in lavorazione sia curvato o distorto, fissarlo con una morsa con il lato esterno curvato rivolto verso la guida. Accertarsi sempre che non vi siano spazi tra il pezzo in lavorazione, la guida e il tavolo lungo la linea di taglio.** Pezzi in lavorazione piegati o distorti possono torcersi o spostarsi, e potrebbero causare l'inceppamento della lama in rotazione durante il taglio. Nel pezzo in lavorazione non devono essere presenti chiodi o corpi estranei.
8. **Non utilizzare la sega fino a quando il tavolo è libero da tutti gli utensili, gli sfridi di legno, e così via, tranne il pezzo in lavorazione.** Piccoli detriti o pezzi allentati di legno o altri oggetti che entrano in contatto con la lama in rotazione possono venire scagliati ad alta velocità.
9. **Tagliare un solo pezzo in lavorazione alla volta.** Non è possibile fissare con una morsa o supportare in modo adeguato più pezzi in lavorazione impiati, e questi ultimi potrebbero incepparsi nella lama o spostarsi durante il taglio.
10. **Accertarsi che la troncatrice venga montata o posizionata su una superficie di lavoro piana e stabile prima dell'uso.** Una superficie di lavoro piana e stabile riduce il rischio che la troncatrice diventi instabile.
11. **Pianificare il lavoro. Ogni volta che si cambia l'impostazione dell'angolo di taglio a unghia od obliquo, accertarsi che la guida regolabile sia impostata correttamente per sostenere il pezzo in lavorazione e che non interferisca con la lama o il sistema di protezione.** Senza accendere l'utensile e senza alcun pezzo in lavorazione sul tavolo, spostare la lama attraverso un taglio simulato completo per accertarsi che non vi siano interferenze o pericolo di tagliare la guida.
12. **Fornire un supporto adeguato, ad esempio prolungamenti del tavolo, cavalletti per segare la legna, e così via, per un pezzo in lavorazione che sia più largo o più lungo della superficie del tavolo.** I pezzi in lavorazione più lunghi o più larghi del tavolo della troncatrice possono rovesciarsi, se non vengono supportati saldamente. Qualora il pezzo tagliato o il pezzo in lavorazione si rovesci, può sollevare la protezione inferiore o venire scagliato dalla lama in rotazione.
13. **Non utilizzare un'altra persona come supporto aggiuntivo. Il supporto instabile per il pezzo in lavorazione può causare l'inceppamento della lama o lo spostamento del pezzo in lavorazione durante l'operazione di taglio, tirando sia l'operatore che l'aiutante verso la lama in rotazione.**

14. **Il pezzo tagliato non deve venire spinto con forza né premuto in alcun modo contro la lama in rotazione.** Il pezzo tagliato, qualora sia confinato, ad esempio mediante l'uso di battute longitudinali, potrebbe incunearsi contro la lama e venire scagliato con violenza.
15. **Utilizzare sempre una morsa o un dispositivo di fissaggio progettato per sostenere correttamente materiali tondi, quali aste o tubazioni.** Le aste tendono a rotolare mentre vengono tagliate, facendo sì che la lama "morda" e tiri il pezzo in lavorazione insieme alla mano verso la lama.
16. **Lasciar raggiungere la massima velocità alla lama, prima di mettere quest'ultima in contatto con il pezzo in lavorazione.** In tal modo si riduce il rischio che il pezzo in lavorazione venga scagliato.
17. **Qualora il pezzo in lavorazione o la lama si inceppino, spegnere la troncatrice. Attendere che tutte le parti mobili si arrestino, scollegare la spina dalla fonte di alimentazione, e/o rimuovere la cartuccia della batteria. Quindi, intervenire per liberare il materiale inceppato.** Qualora si continui a segare con un pezzo in lavorazione inceppato, si potrebbe causare la perdita di controllo o il danneggiamento della troncatrice.
18. **Dopo aver terminato il taglio, rilasciare l'interruttore, mantenere la testa della sega abbassata e attendere che la lama si arresti, prima di rimuovere il pezzo tagliato.** È pericoloso allungare una mano dietro la lama che si sta arrestando.
19. **Utilizzare esclusivamente una lama che abbia il diametro indicato sull'utensile o specificato nel manuale.** L'uso di una lama di dimensioni errate potrebbe influire sulla corretta protezione della lama o sul funzionamento della protezione, il che potrebbe risultare in gravi lesioni personali.
20. **Utilizzare solo lame che siano contrassegnate con una velocità pari o superiore a quella contrassegnata sull'utensile.**
21. **Non utilizzare la sega per tagliare materiali diversi da quelli specificati.**
22. **(Solo per le nazioni europee) Utilizzare sempre una lama conforme allo standard EN847-1, quando si intende tagliare legno o materiali simili.**

#### Istruzioni aggiuntive

1. **Rendere le officine a prova di bambino utilizzando lucchetti.**
2. **Non salire mai sull'utensile.** Qualora l'utensile si rovesci o si entri accidentalmente in contatto con l'utensile da taglio, si potrebbero verificare gravi lesioni personali.
3. **Non lasciare mai l'utensile in funzione incustodito. Spegnerlo. Non abbandonare l'utensile fino al suo arresto completo.**
4. **Non utilizzare la sega senza le protezioni in posizione. Controllare che la protezione lama si chiuda correttamente prima di ciascun utilizzo. Non utilizzare la sega qualora la protezione lama non si muova liberamente e non si chiuda istantaneamente. Non bloccare o legare mai la protezione lama in posizione di apertura.**
5. **Tenere le mani fuori dal percorso della lama. Evitare il contatto con la lama durante il moto inerziale. La lama può ancora causare gravi lesioni personali.**
6. **Per ridurre il rischio di lesioni personali, ripor- tare il carrello nella posizione più arretrata dopo ciascuna operazione di taglio di testa.**
7. **Fissare sempre tutte le parti mobili prima di trasportare l'utensile.**
8. **Il perno di fermo o la leva del fermo che bloccano verso il basso la testa della sega vanno utilizzati solo per trasportare o riporre l'utensile, non per operazioni di taglio di alcun genere.**
9. **Prima dell'uso, controllare con cura che la lama non presenti spaccature o danneggiamenti. Sostituire immediatamente una lama spaccata o danneggiata. Gomma e pece nera indurite sulle lame rallentano la sega e fanno aumentare il rischio di contraccolpi. Mantenere la lama pulita rimuovendola innanzitutto dall'utensile, e quindi pulendola con sostanze di rimozione della gomma e della pece, acqua calda o cherosene. Non utilizzare mai benzina per pulire la lama.**
10. **Mentre si effettua un taglio a scorrimento, può verificarsi un CONTRACCOLPO. Il CONTRACCOLPO si verifica quando la lama si inceppa nel pezzo in lavorazione durante un'operazione di taglio, e la lama viene spinta rapidamente verso l'operatore. Di conseguenza, si possono verificare la perdita di controllo e gravi lesioni personali. Qualora la lama inizi a incepparsi durante un'operazione di taglio, non proseguire il taglio e rilasciare immediatamente l'interruttore.**
11. **Utilizzare esclusivamente le flange specificate per il presente utensile.**
12. **Fare attenzione a non danneggiare l'albero, le flange (soprattutto la superficie di installazione) o il bullone. Eventuali danni a queste parti potrebbero risultare nella rottura della lama.**
13. **Accertarsi che la base girevole sia fissata saldamente, affinché non si muova durante l'uso dell'utensile. Utilizzare i fori presenti nella base per fissare la sega a una piattaforma di lavoro o un banco stabili. Non utilizzare MAI l'utensile qualora il posizionamento dell'operatore risulti scomodo.**
14. **Prima di accendere l'utensile, accertarsi di aver rilasciato il blocco albero.**
15. **Accertarsi che la lama non sia a contatto con la base girevole nella posizione più bassa.**
16. **Tenere saldamente l'utensile per il manico. Tenere presente che la sega si muove leggermente verso l'alto o verso il basso durante l'avvio e l'arresto.**
17. **Prima di accendere l'utensile, accertarsi che la lama non sia in contatto con il pezzo in lavorazione.**
18. **Prima di utilizzare l'utensile su un pezzo in lavorazione effettivo, lasciarlo girare per qualche momento. Accertarsi che non siano presenti vibrazioni oppure oscillazioni che potrebbero indicare un'installazione inadeguata o un bilanciamento imperfetto della lama.**

19. **Interrompere immediatamente l'uso qualora si noti qualcosa di anomalo.**
20. **Non tentare di bloccare l'interruttore a grilletto nella posizione di accensione.**
21. **Utilizzare sempre gli accessori consigliati nel presente manuale. L'uso di accessori inadeguati, ad esempio ruote abrasive, potrebbe causare lesioni personali.**
22. **Alcuni materiali contengono sostanze chimiche che potrebbero essere tossiche. Adottare delle precauzioni per evitare l'inalazione delle polveri e il contatto con la pelle. Attenersi ai dati sulla sicurezza del fornitore del materiale.**

**Regole di sicurezza aggiuntive per l'utilizzo della lampada**

1. **Non osservare né guardare direttamente la fonte di luce.**

## CONSERVARE LE PRESENTI ISTRUZIONI.

**⚠AVVERTIMENTO:** NON lasciare che comodità o la familiarità d'utilizzo con il prodotto (acquisita con l'uso ripetuto) sostituisca la stretta osservanza delle norme di sicurezza per il prodotto in questione. L'USO IMPROPRIO o la mancata osservanza delle norme di sicurezza indicate nel presente manuale di istruzioni potrebbero causare gravi lesioni personali.

## DESCRIZIONE DELLE PARTI

► Fig.2

1	Vite di regolazione (per la posizione limite inferiore)	2	Braccio di fermo	3	Sacchetto polveri	4	Vite a testa zigrinata (per lo scorrimento del carrello)
5	Indice (per l'angolo di taglio a unghia)	6	Scala dell'angolo di taglio a unghia	7	Polo di scorrimento	8	Morsa verticale
9	Guida scorrevole	10	Bullone di regolazione di 0° (per l'angolo di taglio a unghia)	11	Guida pezzo	12	Base secondaria
13	Base girevole	14	Scala dell'angolo di taglio obliquo	15	Indice (per l'angolo di taglio obliquo)	16	Piano di taglio
17	Bullone di regolazione (per la base girevole)	18	Leva di blocco (per la base girevole)	19	Impugnatura (per la base girevole)	20	Protezione per raccolta polveri
21	Protezione lama	22	Lampada	23	Maniglia (per l'uso)	24	Interruttore a grilletto
25	Foro per lucchetto	26	Pulsante di sblocco	27	Maniglia da trasporto	-	-

► Fig.3

1	Interruttore della lampada	2	Blocco albero	3	Bullone di regolazione (per la capacità massima di taglio)	4	Perno di fermo (per l'altezza del carrello)
5	Piastra di fissaggio	6	Chiave esagonale	7	Bullone di regolazione di 45° (per l'angolo di taglio a unghia)	8	Leva (per l'angolo di taglio a unghia)
9	Pulsante di sblocco (per l'angolo di taglio a unghia)	-	-	-	-	-	-

## INSTALLAZIONE

### Montaggio su banco

**⚠AVVERTIMENTO:** Accertarsi che l'utensile non si sposti sul piano di appoggio. Il movimento della sega circolare sul piano di appoggio durante il taglio potrebbe causare la perdita del controllo della medesima e provocare gravi lesioni personali.

1. Fissare la base a una superficie piana e stabile, avvitandola con i bulloni. Ciò impedisce il rovesciamento dell'utensile e le eventuali lesioni personali conseguenti.

► Fig.4: 1. Bullone 2. Foro di montaggio

2. Ruotare il bullone di regolazione in senso orario o antiorario in modo che entri in contatto con la superficie del pavimento, per mantenere stabile l'utensile.

► Fig.5: 1. Bullone di regolazione

## DESCRIZIONE DELLE FUNZIONI

**⚠AVVERTIMENTO:** Accertarsi sempre che l'utensile sia spento e scollegato dall'alimentazione elettrica prima di regolare o controllare le funzioni sull'utensile. Qualora non si spenga l'utensile e non lo si scolleghi dall'alimentazione elettrica, si potrebbero verificare gravi lesioni personali causate dal suo avvio accidentale.

### Blocco della maniglia

**⚠ATTENZIONE:** Mantenere sempre ferma la maniglia quando si intende sbloccare il perno di fermo. In caso contrario, il manico scatta verso l'alto, e questo potrebbe risultare in lesioni personali.

Quando l'utensile viene consegnato, la maniglia è bloccata nella posizione abbassata mediante il perno di fermo. Per sbloccare la maniglia, tirare il perno di fermo mentre si abbassa leggermente la maniglia.

► Fig.6: 1. Perno di fermo

### Blocco dello scorrimento

Per consentire il movimento di scorrimento del carrello, allentare la vite a testa zigrinata sul braccio. Per bloccare il movimento di scorrimento del carrello, spostare il carrello sul punto in cui verrà fissato, quindi serrare saldamente la vite a testa zigrinata.

► Fig.7: 1. Vite con testa ad alette 2. Braccio

### Protezione lama

**⚠AVVERTIMENTO:** Non rendere mai inoperante né rimuovere la protezione lama o la molla agganciata alla protezione. Una lama per sega circolare esposta a causa di una protezione resa inoperante potrebbe risultare in gravi lesioni personali durante il funzionamento.

**⚠AVVERTIMENTO:** Non utilizzare mai l'utensile se la protezione lama o la molla sono danneggiate, diftose o sono state rimosse. L'uso dell'utensile con una protezione danneggiata, diftosa o rimossa potrebbe risultare in gravi lesioni personali.

**⚠ATTENZIONE:** Per un funzionamento sicuro, mantenere sempre la protezione lama in buone condizioni. In presenza di qualsiasi irregolarità nella protezione lama, arrestare immediatamente l'utilizzo. Accertarsi che l'azione della carica della molla faccia tornare la protezione in posizione.

Quando si abbassa il manico, la protezione lama si solleva automaticamente. La protezione è caricata da una molla, per cui torna sulla sua posizione originale quando si solleva il manico al completamento del taglio.

► Fig.8: 1. Protezione lama

## Pulizia

Qualora la protezione trasparente della lama si sporchi, oppure qualora le polveri si depositino sulla protezione trasparente della lama in modo tale da non rendere più visibili la lama per sega circolare e/o il pezzo in lavorazione, scollegare l'utensile dall'alimentazione elettrica e pulire con cura la protezione con un panno umido. Non utilizzare sulla protezione in plastica solventi o prodotti di pulizia a base di petrolio, poiché potrebbero danneggiarla. Per informazioni su come prepararsi per la pulizia, attenersi alle istruzioni passo-passo indicate.

1. Accertarsi che l'utensile sia spento e scollegato dall'alimentazione elettrica.
  2. Ruotare il bullone a esagono incassato in senso antiorario utilizzando la chiave esagonale in dotazione, mentre si mantiene fermo il coperchio centrale.
  3. Sollevare la protezione lama e il coperchio centrale.
  4. Al completamento della pulizia, riportare in posizione il coperchio centrale e serrare il bullone a esagono incassato eseguendo al contrario la procedura indicata sopra.
- Fig.9: 1. Chiave esagonale 2. Bullone a esagono incassato 3. Coperchio centrale 4. Protezione lama

**⚠AVVERTIMENTO:** Non rimuovere la molla che fissa la protezione lama. Qualora la protezione venga danneggiata con il passare del tempo o a causa dell'esposizione alla luce ultravioletta, contattare un centro di assistenza Makita per la sostituzione. **NON RENDERE INOPERANTE NÉ RIMUOVERE LA PROTEZIONE.**

### Posizionamento dei piani di taglio

Questo utensile è dotato di piani di taglio nella base girevole, per minimizzare la frammentazione sul lato d'uscita del taglio. I piani di taglio sono stati regolati in fabbrica in modo che la lama per sega circolare non entri in contatto con questi ultimi. Prima di procedere, regolare i piani di taglio come segue:

1. Accertarsi che l'utensile sia scollegato dall'alimentazione elettrica. Quindi, allentare tutte le viti (tre su ciascun lato, a sinistra e a destra) che fissano i piani di taglio.
- Fig.10: 1. Piano di taglio 2. Vite
2. Serrarle di nuovo solo entro un limite che consenta comunque di poter spostare facilmente i piani di taglio a mano.
  3. Abbassare completamente la maniglia, quindi bloccarla nella posizione abbassata con il perno di fermo.
  4. Allentare la vite a testa zigrinata sul braccio che fissa il movimento di scorrimento del carrello.

Tirare completamente il carrello verso di sé.

► Fig.11: 1. Vite con testa ad alette 2. Braccio

5. Regolare i piani di taglio in modo che siano vicini ai fianchi dei denti della lama.

► Fig.12

- Fig.13: 1. Lama per sega circolare 2. Denti lama 3. Piano di taglio 4. Taglio a unghia sinistro 5. Taglio diritto

6. Serrare le viti anteriori (non serrarle saldamente).
7. Far scorrere il carrello fino alla posizione situata tra l'estremità anteriore dei piani di taglio e le guide pezzo. Regolare i piani di taglio in modo che siano vicini ai fianchi dei denti della lama.
8. Serrare le viti centrali (non serrarle saldamente).
9. Spingere completamente il carrello verso le guide pezzo, quindi regolare i piani di taglio in modo che questi ultimi siano vicini ai fianchi dei denti della lama.
10. Serrare le viti posteriori (non serrarle saldamente).
11. Rilasciare il perno di fermo per il blocco della maniglia e sollevare quest'ultima. Quindi, serrare saldamente tutte le viti.

**AVVISO:** Dopo aver impostato l'angolo di taglio a unghia, accertarsi che i piani di taglio siano regolati correttamente. La corretta regolazione dei piani di taglio contribuisce a fornire un sostegno appropriato al pezzo e a ridurne al minimo la frammentazione.

## Mantenimento della capacità massima di taglio

Questo utensile è stato regolato in fabbrica in modo da fornire la capacità massima di taglio per una lama per sega circolare da 216 mm.

Quando si intende installare una nuova lama per sega circolare, controllare sempre la posizione del limite inferiore della lama per sega circolare e, se necessario, regolarla nel modo seguente:

1. Scollegare l'utensile dall'alimentazione elettrica. Quindi, spingere completamente il carrello verso la guida pezzo e abbassare completamente la maniglia.
  2. Utilizzare la chiave esagonale (dal lato a cacciavite) per ruotare il bullone di regolazione fino a quando la lama per sega circolare viene a trovarsi leggermente al di sotto della sezione trasversale della guida pezzo della superficie superiore della base girevole.
- Fig.14: 1. Bullone di regolazione 2. Guida pezzo
- Fig.15

3. Ruotare la lama per sega circolare con la mano, tenendo al tempo stesso la maniglia completamente abbassata, per assicurare che la lama per sega circolare non entri in contatto con alcuna parte della base inferiore. Se necessario, regolare di nuovo la capacità massima di taglio.

**AVVERTIMENTO:** Dopo aver installato una nuova lama per sega circolare e con l'utensile scollegato dall'alimentazione elettrica, verificare sempre che la lama per sega circolare non entri in contatto con alcuna parte della base inferiore, quando la maniglia viene abbassata completamente. Qualora la lama per sega circolare entri in contatto con la base, potrebbe causare un contraccolpo e risultare in gravi lesioni personali.

► Fig.16

## Braccio di fermo

È possibile regolare facilmente la posizione del limite inferiore della lama con il braccio di fermo. Per regolare il limite inferiore, ruotare il braccio di fermo nella direzione della freccia, come mostrato nella figura. Ruotare le viti di regolazione in modo che la lama si arresti nella posizione desiderata quando si abbassa completamente la maniglia.

► Fig.17: 1. Braccio di fermo 2. Vite di regolazione

## Regolazione dell'angolo di taglio obliquo

**ATTENZIONE:** Dopo aver modificato l'angolo di taglio obliquo, fissare sempre la base girevole serrando saldamente l'impugnatura.

**AVVISO:** Quando si intende ruotare la base girevole, accertarsi di sollevare completamente il manico.

Ruotare l'impugnatura in senso antiorario per sbloccare la base girevole. Per spostare la base girevole, ruotare l'impugnatura mentre si mantiene alzata la leva di blocco. Allineare l'indice con l'angolo desiderato sulla scala dell'angolo di taglio obliquo, quindi serrare l'impugnatura.

► Fig.18: 1. Leva di blocco 2. Impugnatura 3. Indice

## Funzione di arresto meccanico

Questa troncatrice utilizza una funzione di arresto meccanico. È possibile impostare rapidamente un angolo di taglio obliquo di 0°, 15°, 22,5°, 31,6° e 45° a destra o a sinistra. Per utilizzare questa funzione, avvicinare la base girevole all'angolo desiderato di arresto meccanico, mentre si mantiene alzata la leva di blocco. Quindi, sbloccare la leva di blocco e spostare la base girevole sull'angolo di arresto meccanico desiderato, fino a quando la base girevole viene bloccata.

## Regolazione dell'angolo di taglio a unghia

**ATTENZIONE:** Dopo aver cambiato l'angolo di taglio a unghia, fissare sempre il braccio serrando la leva in senso orario.

**AVVISO:** Rimuovere sempre la morsa verticale prima di regolare l'angolo di taglio a unghia.

**AVVISO:** Quando si intende inclinare la lama per sega circolare, accertarsi che il carrello sia rialzato completamente.

**AVVISO:** Quando si intende modificare gli angoli di taglio a unghia, accertarsi di riposizionare in modo appropriato i piani di taglio, come illustrato nella sezione relativa al posizionamento dei piani di taglio.

**AVVISO:** Non serrare eccessivamente la leva. In caso contrario, si potrebbe causare un malfunzionamento del meccanismo di blocco dell'angolo di taglio a unghia.



## Inclinazione della lama per sega circolare da 0° a 45° a sinistra

1. Ruotare la leva in senso antiorario.
2. Afferrare la maniglia e inclinare il carrello verso sinistra.
3. Allineare l'indice con l'angolo desiderato sulla scala dell'angolo di taglio a unghia.
4. Serrare la leva in senso orario per fissare il braccio.

► **Fig.19:** 1. Leva 2. Maniglia 3. Indice 4. Scala dell'angolo di taglio a unghia

## Inclinazione della lama per sega circolare a sinistra oltre l'angolazione da 0° a 45°

1. Ruotare la leva in senso antiorario.
2. Mantenere la maniglia e impostare il carrello a 0° per l'estremità a 2° a destra, oppure a 45° per l'estremità a 47° a sinistra.
3. Inclinare leggermente il carrello verso il lato opposto.
4. Premere il pulsante di sblocco.
5. Inclinare il carrello sulla posizione desiderata oltre l'escursione da 0° a 45°.
6. Serrare la leva in senso orario per fissare il braccio.

**Quando si inclina il carrello verso i 2° a destra**

► **Fig.20:** 1. Leva 2. Maniglia 3. Pulsante di sblocco

**Quando si inclina il carrello verso i 47° a sinistra**

► **Fig.21:** 1. Leva 2. Maniglia 3. Pulsante di sblocco

## Utilizzo dell'interruttore

**AVVERTIMENTO:** Prima di collegare l'utensile all'alimentazione elettrica, accertarsi sempre che l'interruttore a grilletto funzioni correttamente e che torni sulla posizione di spegnimento quando viene rilasciato. Non premere con forza l'interruttore a grilletto senza aver fatto rientrare il pulsante di sblocco premendolo. In caso contrario, si potrebbe causare la rottura dell'interruttore. L'uso dell'utensile con un interruttore che non funzioni correttamente potrebbe causare la perdita del controllo e gravi lesioni personali.

**AVVERTIMENTO:** Non utilizzare MAI l'utensile quando l'interruttore a grilletto non è perfettamente funzionante. Qualsiasi utensile con un interruttore non funzionante è ESTREMAMENTE PERICOLOSO e deve essere riparato prima di un ulteriore utilizzo; in caso contrario, si potrebbero verificare gravi lesioni personali.

**AVVERTIMENTO:** Non rendere MAI inefficace il pulsante di sblocco tenendolo premuto con nastro adesivo o in altri modi. Un interruttore con un pulsante di sblocco che sia stato reso inefficace potrebbe risultare in un funzionamento accidentale e in gravi lesioni personali.

**AVVERTIMENTO:** Non utilizzare MAI l'utensile qualora si avvii semplicemente premendo l'interruttore a grilletto senza tenere premuto il pulsante di sblocco. Un interruttore che necessiti di riparazione potrebbe risultare in un funzionamento accidentale e in gravi lesioni personali. Riportare l'utensile a un centro di assistenza Makita per le riparazioni necessarie PRIMA di un ulteriore utilizzo.

L'interruttore è dotato di un pulsante di sblocco, per evitare che l'interruttore a grilletto venga premuto accidentalmente. Per avviare l'utensile, far rientrare il pulsante di sblocco premendolo e premere l'interruttore a grilletto. Per arrestare l'utensile, rilasciare l'interruttore a grilletto. Nell'interruttore a grilletto è presente un foro per l'inserimento di un lucchetto, in modo da bloccare lo strumento in condizione di spegnimento.

► **Fig.22:** 1. Interruttore a grilletto 2. Pulsante di sblocco 3. Foro per lucchetto

**AVVERTIMENTO:** Non utilizzare un lucchetto con diametro del gambo o del cavo inferiore a 6,35 mm. Un gambo o un cavo più piccolo potrebbe non bloccare correttamente l'utensile nella posizione di spento, e potrebbe verificarsi un funzionamento accidentale che potrebbe risultare in gravi lesioni personali.



## Proiezione di una linea di taglio

**⚠ATTENZIONE:** La lampada non è impermeabile alla pioggia. Non lavare la lampada in acqua né utilizzarla sotto la pioggia o in un'area bagnata. Tale comportamento potrebbe causare scosse elettriche e fumi.

**⚠ATTENZIONE:** Non toccare la lente della lampada, in quanto è estremamente calda mentre la lampada è accesa o subito dopo il suo spegnimento. In caso contrario, si potrebbero causare ustioni.

**⚠ATTENZIONE:** Non sottoporre la lampada a impatti, che potrebbero danneggiarla o ridurre la vita utile.

**⚠ATTENZIONE:** Non osservare né guardare direttamente la fonte di luce.

La lampada a LED proietta una luce sulla lama per sega circolare, e un'ombra della lama cade sul pezzo in lavorazione, fungendo da indicatore della linea di taglio, senza necessità di calibrazione. Premere l'interruttore della lampada per proiettare la luce. Appare una linea in cui la lama incontra la superficie del pezzo in lavorazione, e tale linea diventa più profonda man mano che si abbassa la lama.

► **Fig.23:** 1. Interruttore della lampada 2. Lampada  
3. Linea di taglio

L'indicatore aiuta a tagliare attraverso una linea di troncatura esistente tracciata a matita su un pezzo in lavorazione.

1. Afferrare la maniglia e abbassare la lama per sega circolare in modo che un'ombra densa della lama venga proiettata contro un pezzo in lavorazione.

2. Allineare una linea di troncatura disegnata sul pezzo in lavorazione con la linea di taglio dell'ombreggiatura.

3. Regolare gli angoli di taglio obliquo e di taglio a unghia, se necessario.

**NOTA:** Accertarsi di disattivare l'interruttore della lampada dopo l'uso. In caso contrario, la lampada rimane molto calda.

## MONTAGGIO

**⚠AVVERTIMENTO:** Accertarsi sempre che l'utensile sia spento e scollegato dall'alimentazione elettrica prima di effettuare interventi sull'utensile. Qualora non si spenga l'utensile e non lo si scollegi dall'alimentazione elettrica, si potrebbero verificare gravi lesioni personali.

## Conservazione della chiave esagonale

Quando non si utilizza la chiave esagonale, riporla come mostrato nella figura per evitare di perderla.

► **Fig.24:** 1. Chiave esagonale

## Installazione o rimozione della lama per sega circolare

**⚠AVVERTIMENTO:** Accertarsi sempre che l'utensile sia spento e scollegato dall'alimentazione elettrica, prima di rimuovere e installare la lama per sega circolare. L'avvio accidentale dell'utensile potrebbe risultare in gravi lesioni personali.

**⚠AVVERTIMENTO:** Utilizzare esclusivamente la chiave Makita in dotazione per rimuovere e installare la lama per sega circolare. Il mancato utilizzo della chiave potrebbe causare il serraggio eccessivo o insufficiente del bullone a esagono incassato e gravi lesioni personali.

**⚠AVVERTIMENTO:** Non utilizzare né applicare in sostituzione pezzi che non siano in dotazione con questo utensile. L'utilizzo di tali pezzi può causare gravi lesioni personali.

**⚠AVVERTIMENTO:** Dopo aver installato la lama per sega circolare, accertarsi sempre che sia installata saldamente. Un fissaggio allentato della lama per sega circolare può causare gravi lesioni personali.

## Preparativi in comune per l'installazione o la rimozione della lama per sega circolare

1. Sbloccare il carrello premendo il perno di fermo, quindi spostare il carrello verso la posizione sollevata.

2. Allentare il bullone a esagono incassato che fissa il coperchio centrale utilizzando la chiave esagonale. Quindi, sollevare la protezione lama e il coperchio centrale.

► **Fig.25:** 1. Chiave esagonale 2. Bullone a esagono incassato 3. Coperchio centrale  
4. Protezione lama

## Installazione della lama per sega circolare

**⚠ATTENZIONE:** Accertarsi di installare la lama per sega circolare in modo che la direzione della freccia sulla lama per sega circolare coincida con quella sulla cassa della lama. La mancata osservanza di questa indicazione potrebbe risultare in gravi lesioni personali e causare il danneggiamento dell'utensile e/o del pezzo in lavorazione.

1. Completare i passi della procedura "Preparativi in comune per l'installazione o la rimozione della lama per sega circolare".

2. Premere il blocco albero per bloccare il mandrino e utilizzare la chiave esagonale per allentare il bullone a esagono incassato in senso orario. Quindi, rimuovere il bullone a esagono incassato, la flangia esterna e la lama per sega circolare.

► **Fig.26:** 1. Bullone a esagono incassato (sinistrorso)  
2. Flangia esterna 3. Blocco albero

3. Montare con cautela la lama per sega circolare sulla flangia interna. Accertarsi che la direzione della freccia sulla lama per sega circolare coincida con la direzione della freccia sulla cassa della lama.

► **Fig.27:** 1. Freccia

4. Installare la flangia esterna e il bullone a esagono incassato. Serrare saldamente il bullone a esagono incassato (sinistrorso) in senso antiorario utilizzando la chiave esagonale, mentre si tiene premuto il blocco albero.

► **Fig.28:** 1. Bullone a esagono incassato (sinistrorso) 2. Flangia esterna 3. Lama per sega circolare 4. Anello 5. Flangia interna 6. Mandrino

► **Fig.29:** 1. Bullone a esagono incassato (sinistrorso) 2. Flangia esterna 3. Blocco albero

5. Riportare la protezione lama e il coperchio centrale sulla loro posizione originale. Quindi, serrare il bullone a esagono incassato del coperchio centrale per fissare quest'ultimo.

Abbassare il carrello e verificare che la protezione lama si muova correttamente.

► **Fig.30:** 1. Chiave esagonale 2. Bullone a esagono incassato 3. Coperchio centrale 4. Protezione lama

## Rimozione della lama per sega circolare

1. Completare i passi della procedura "Preparativi in comune per l'installazione o la rimozione della lama per sega circolare".

2. Premere il blocco albero per bloccare il mandrino. Allentare il bullone a esagono incassato in senso orario utilizzando la chiave esagonale. Quindi, rimuovere il bullone a esagono incassato, la flangia esterna e la lama per sega circolare.

► **Fig.31:** 1. Bullone a esagono incassato (sinistrorso) 2. Flangia esterna 3. Blocco albero

3. Se la flangia interna è stata rimossa, installarla sul mandrino con la parte di montaggio della lama rivolta verso la lama per sega circolare. Se la flangia viene installata in modo errato, verrà sfregata contro la macchina.

► **Fig.32:** 1. Bullone a esagono incassato (sinistrorso) 2. Flangia esterna 3. Lama per sega circolare 4. Anello 5. Flangia interna 6. Mandrino

**AVVISO:** Fare attenzione a non perdere la flangia esterna e il bullone a esagono incassato rimossi.

## Collegamento di un aspiratore

Quando si desidera eseguire operazioni di taglio pulite, collegare un aspirapolvere Makita.

**AVVISO:** A seconda del tipo di aspirapolvere e di tubo flessibile utilizzati, l'apertura per la raccolta delle polveri potrebbe venire ostacolata dalla protezione per raccolta polveri, rendendo impossibile la raccolta delle polveri. In tal caso, ridurre la forza di aspirazione dell'aspirapolvere.

► **Fig.33:** 1. Protezione per raccolta polveri

## Sacchetto segatura

**ATTENZIONE:** Quando si intende eseguire un taglio, montare sempre il sacchetto segatura o collegare un aspirapolvere per evitare pericoli correlati alle polveri.

L'utilizzo del sacchetto segatura consente operazioni di taglio pulite e facilita la raccolta della segatura. Per montare il sacchetto segatura, collegarlo al bocchettone segatura.

► **Fig.34:** 1. Sacchetto segatura 2. Bocchettone segatura

Quando il sacchetto segatura è quasi pieno a metà, rimuoverlo dall'utensile ed estrarre la chiusura.

Svuotare il sacchetto segatura dandogli dei leggeri colpi, in modo da rimuovere le particelle attaccate all'interno che potrebbero ostacolare l'ulteriore raccolta della segatura.

► **Fig.35:** 1. Chiusura

## Fissaggio del pezzo

**AVVERTIMENTO:** È estremamente importante fissare sempre correttamente il pezzo utilizzando una morsa di tipo adatto. La mancata osservanza di questa indicazione potrebbe risultare in gravi lesioni personali e causare il danneggiamento dell'utensile e/o del pezzo.

**AVVERTIMENTO:** Dopo un'operazione di taglio, non sollevare la lama fino al suo arresto completo. Il sollevamento di una lama che sia in moto inerte potrebbe risultare in gravi lesioni personali e nel danneggiamento del pezzo in lavorazione.

**AVVERTIMENTO:** Quando si intende tagliare un pezzo in lavorazione più lungo della base di supporto della troncatrice, il materiale va supportato per l'intera lunghezza che sporge dalla base di supporto e alla stessa altezza, in modo da mantenere il materiale in piano. Un sostegno corretto del pezzo in lavorazione contribuisce a evitare inceppamenti della lama e potenziali contraccolpi, che potrebbero risultare in gravi lesioni personali. Per fissare il pezzo in lavorazione, non fare affidamento solo sulla morsa verticale. I materiali sottili tendono a incurvarsi. Sostenere il pezzo in lavorazione per la sua intera lunghezza, al fine di evitare inceppamenti della lama e potenziali CONTRACCOLPI.

► **Fig.36:** 1. Sostegno 2. Base girevole

## Guide pezzo

**⚠AVVERTIMENTO:** Prima di utilizzare l'utensile, accertarsi che la guida scorrevole sia fissata saldamente con la vite di fissaggio.

**⚠AVVERTIMENTO:** Prima di effettuare un taglio a unghia, accertarsi che nessuna parte dell'utensile, specialmente la lama per sega circolare, sia in contatto con le guide quando si intende abbassare e sollevare completamente la maniglia in qualsiasi posizione, nonché durante lo spostamento del carrello per l'intera lunghezza della sua corsa. Qualora l'utensile o la lama per sega circolare entrino in contatto con la guida, si potrebbe causare un contraccolpo o un movimento imprevisto del materiale e gravi lesioni personali.

Il presente utensile è dotato di una guida scorrevole. Quando si intende eseguire tagli a unghia a sinistra, allentare le viti di fissaggio e spostare la guida scorrevole in modo che non ostacoli il movimento del carrello. Fissare la guida scorrevole serrando la vite di fissaggio.

► Fig.37: 1. Guida scorrevole 2. Guida pezzo 3. Vite di fissaggio

## Morsa verticale

**⚠AVVERTIMENTO:** Il pezzo in lavorazione deve essere fissato saldamente contro la base girevole e la guida pezzo con la morsa durante tutte le operazioni. Qualora il pezzo in lavorazione non sia fissato saldamente contro la guida, il materiale potrebbe spostarsi durante l'operazione di taglio, con la possibilità di causare danni alla lama, scagliare il materiale e provocare una perdita di controllo, risultando in gravi lesioni personali.

È possibile installare la morsa verticale nei fori sul lato sinistro della base, sul lato destro della base o sul lato sinistro della base secondaria.

Premere il pezzo appoggiato di piatto contro la guida pezzo e la base girevole. Posizionare il pezzo sulla posizione di taglio desiderata e fissarlo saldamente serrando la manopola morsa.

Accertarsi che nessuna parte dell'utensile entri in contatto con la morsa verticale, quando si intende abbassare completamente la maniglia. Qualora una qualsiasi parte sia in contatto con la morsa verticale, riposizionare quest'ultima.

► Fig.38: 1. Foro 2. Manopola morsa

## Base secondaria

**⚠AVVERTIMENTO:** Sostenere sempre i pezzi lunghi in modo che siano paralleli alla superficie superiore della base girevole, per effettuare tagli di precisione ed evitare pericolose perdite di controllo dell'utensile. Un sostegno corretto del pezzo in lavorazione contribuisce a evitare inceppamenti della lama e potenziali contraccolpi, che potrebbero risultare in gravi lesioni personali.

**⚠AVVERTIMENTO:** Prima dell'operazione di taglio, accertarsi sempre che le basi secondarie siano fissate saldamente mediante le viti a testa zigrinata.

Per mantenere orizzontalmente i pezzi in lavorazione lunghi, sono fornite delle basi secondarie su entrambi i lati dell'utensile. Allentare le viti a testa zigrinata ed estendere le basi secondarie sulla lunghezza appropriata per mantenere il pezzo in lavorazione. Quindi, serrare le viti a testa zigrinata.

► Fig.39: 1. Base secondaria 2. Vite a testa zigrinata

Durante il taglio, appoggiare il pezzo in lavorazione di piatto contro le guide pezzo.

► Fig.40: 1. Guida pezzo 2. Base secondaria

## FUNZIONAMENTO

Questo utensile è destinato al taglio di prodotti in legno. Utilizzando lame appropriate Makita originali, è possibile segare anche i materiali seguenti:

— Prodotti in alluminio

Per informazioni sulle lame circolari corrette da utilizzare per il materiale da tagliare, consultare il nostro sito web o contattare il proprio rivenditore locale Makita.

**⚠AVVERTIMENTO:** Prima di attivare l'interruttore, accertarsi che la lama non sia in contatto con il pezzo in lavorazione, e così via. L'accensione dell'utensile con la lama in contatto con il pezzo in lavorazione potrebbe risultare in un contraccolpo e in gravi lesioni personali.

**⚠AVVERTIMENTO:** Dopo un'operazione di taglio, non sollevare la lama fino al suo arresto completo. Il sollevamento di una lama che sia in moto inerziale potrebbe risultare in gravi lesioni personali e nel danneggiamento del pezzo in lavorazione.

**⚠AVVERTIMENTO:** Mentre la lama è in rotazione, non effettuare alcuna regolazione quali la rotazione dell'impugnatura, della manopola e delle leve sull'utensile. La regolazione mentre la lama è in rotazione potrebbe risultare in gravi lesioni personali.

**⚠ATTENZIONE:** Non rilasciare la testa della sega incontrollata dalla posizione completamente abbassata. Una testa della sega incontrollata potrebbe colpire l'utilizzatore causando lesioni personali.

**AVVISO:** Prima dell'uso, accertarsi di sbloccare il perno di fermo e di sbloccare il manico dalla posizione abbassata.

**AVVISO:** Non esercitare una pressione eccessiva sul manico durante il taglio. Una forza eccessiva può risultare nel sovraccarico del motore e/o in una diminuzione dell'efficienza di taglio. Premere verso il basso il manico solo con la forza necessaria a un taglio uniforme e senza una notevole riduzione della velocità della lama.

**AVVISO:** Premere delicatamente verso il basso la maniglia per eseguire il taglio. Qualora si prema con forza verso il basso la maniglia o si applichi una forza laterale, la lama potrebbe vibrare lasciando un segno sul pezzo in lavorazione (segno della lama), e la precisione del taglio potrebbe venire compromessa.

**AVVISO:** Durante un taglio a scorrimento, spingere delicatamente il carrello verso la guida pezzo senza fermarsi. Qualora il movimento del carrello venga arrestato durante il taglio, sul pezzo in lavorazione viene lasciato un segno e la precisione del taglio viene compromessa.

## Taglio con pressione

**AVVERTIMENTO:** Bloccare sempre il movimento di scorrimento del carrello, quando si intende eseguire un taglio con pressione. Un taglio senza blocco potrebbe causare un potenziale contraccolpo, che potrebbe risultare in gravi lesioni personali.

È possibile tagliare pezzi fino a 65 mm di altezza e 80 mm di larghezza nel modo seguente.

1. Spingere il carrello verso la guida pezzo fino al suo arresto e bloccarlo con la vite a testa zigrinata.
2. Fissare il pezzo utilizzando una morsa di tipo appropriato.
3. Accendere l'utensile senza mettere in contatto la lama per sega circolare con il pezzo in lavorazione, e attendere che la lama per sega circolare raggiunga la piena velocità, prima di abbassarla.
4. Abbassare delicatamente il manico nella posizione completamente abbassata per tagliare il pezzo.
5. Al completamento del taglio, spegnere l'utensile e attendere che la lama per sega circolare si arresti completamente, prima di riportarla alla posizione di elevazione massima.

► **Fig.41:** 1. Vite a testa zigrinata

## Taglio a scorrimento (spinta) (taglio di pezzi larghi)

**AVVERTIMENTO:** Durante il taglio con scorrimento, innanzitutto tirare completamente verso di sé il carrello e premere completamente verso il basso il manico, quindi spingere il carrello verso la guida pezzo. Non iniziare mai a tagliare se il carrello non è completamente tirato verso di sé. Se si effettua il taglio con scorrimento senza aver tirato completamente verso di sé il carrello, potrebbe verificarsi un contraccolpo imprevisto, e potrebbero risultare gravi lesioni personali.

**AVVERTIMENTO:** Non tentare mai di effettuare un taglio con scorrimento tirando il carrello verso di sé. Qualora si tiri il carrello verso di sé durante il taglio, si potrebbe causare un contraccolpo imprevisto che potrebbe risultare in gravi lesioni personali.

**AVVERTIMENTO:** Non eseguire mai tagli con scorrimento con il manico bloccato in posizione abbassata.

1. Allentare la vite a testa zigrinata in modo che il carrello possa scorrere liberamente.
  2. Fissare il pezzo utilizzando una morsa di tipo appropriato.
  3. Tirare completamente il carrello verso di sé.
  4. Accendere l'utensile senza mettere in contatto la lama per sega circolare con il pezzo in lavorazione, e attendere che la lama raggiunga la piena velocità.
  5. Premere il manico verso il basso e **spingere il carrello verso la guida pezzo e attraverso il pezzo.**
  6. Al completamento del taglio, spegnere l'utensile e attendere che la lama si arresti completamente prima di riportarla alla posizione di elevazione massima.
- **Fig.42:** 1. Vite a testa zigrinata

## Taglio obliquo

Fare riferimento alla sezione relativa alla regolazione dell'angolo di taglio obliquo.

## Taglio a unghia

**⚠AVVERTIMENTO:** Dopo aver regolato la lama per un taglio a unghia, accertarsi che il carrello e la lama abbiano corsa libera per tutta la lunghezza del taglio che si intende effettuare prima di utilizzare l'utensile. L'arresto della corsa del carrello o della lama durante l'operazione di taglio potrebbe risultare in un contraccolpo e in gravi lesioni personali.

**⚠AVVERTIMENTO:** Mentre si effettua un taglio a unghia, tenere le mani lontane dal percorso della lama. L'angolo della lama potrebbe ingannare l'operatore per quanto riguarda l'effettivo percorso della lama durante il taglio, e il contatto con la lama risulterebbe in gravi lesioni personali.

**⚠AVVERTIMENTO:** La lama non va sollevata fino al suo arresto completo. Durante un taglio a unghia, la parte di materiale troncata potrebbe restare appoggiata contro la lama. Qualora la lama venga sollevata mentre sta girando, la parte troncata potrebbe venire espulsa dalla lama causando la frammentazione del materiale, il che potrebbe risultare in gravi lesioni personali.

**AVVISO:** Quando si preme la maniglia verso il basso, applicare la pressione parallelamente alla lama. Qualora si applichi una forza perpendicolarmente alla base girevole, o qualora si cambi la direzione della pressione durante un taglio, la precisione del taglio viene compromessa.

1. Posizionare la guida scorrevole a sinistra, per evitare che il carrello entri in contatto.
2. Sbloccare il perno di fermo e allentare la vite a testa zigrinata sul braccio, in modo che sia possibile sollevare e far scorrere il carrello liberamente.
3. Regolare l'angolo di taglio a unghia in base alla procedura illustrata nella sezione relativa alla regolazione dell'angolo di taglio a unghia. Quindi, serrare l'impugnatura.
4. Fissare il pezzo con una morsa.
5. Tirare completamente il carrello verso di sé.
6. Accendere l'utensile senza mettere in contatto la lama per sega circolare con il pezzo in lavorazione, e attendere che la lama per sega circolare raggiunga la piena velocità.
7. Abbassare delicatamente la maniglia sulla posizione completamente abbassata esercitando una pressione parallelamente alla lama per sega circolare, quindi **spingere il carrello verso la guida pezzo per tagliare il pezzo in lavorazione.**
8. Al completamento del taglio, spegnere l'utensile e attendere che la lama per sega circolare si arresti completamente, prima di riportarla alla posizione di elevazione massima.

► Fig.43

## Taglio composito

Il taglio composito è una procedura in cui sul pezzo viene realizzato un taglio a unghia contemporaneamente a un taglio obliquo. Il taglio composito può venire eseguito all'angolazione indicata nella tabella.

Angolo di taglio obliquo	Angolo di taglio a unghia
Da 0° a 45° a sinistra e a destra	0° - 45° a sinistra

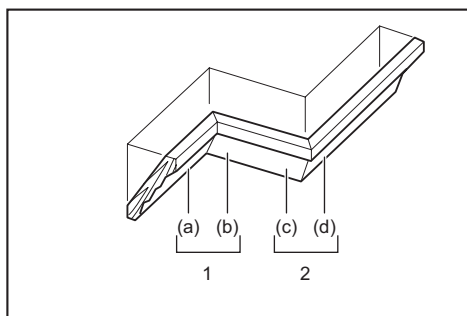
Quando si intende eseguire un taglio composito, fare riferimento alle sezioni relative al taglio con pressione, al taglio a scorrimento (spinta), al taglio obliquo e al taglio a unghia.

## Tagli di modanature a corona e concave

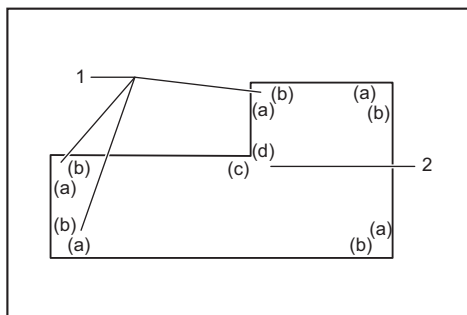
È possibile eseguire tagli con modanatura a corona e concava su una sega composta a slitta, con le modanature disposte orizzontalmente sulla base girevole. Esistono due tipi comuni di modanature a corona e un tipo di modanatura concava: modanatura a corona con angolo della parete a 52/38°, modanatura a corona con angolo della parete a 45° e modanatura concava con angolo della parete a 45°.

- Fig.44: 1. Modanatura a corona a 52/38°  
2. Modanatura a corona a 45°  
3. Modanatura concava a 45°

Esistono commesure di modanature a corona e concave che sono fatte per adattarsi ad angoli a 90° "interni" ((a) e (b) nella figura) e ad angoli a 90° "esterni" ((c) e (d) nella figura).



1. Angolo interno 2. Angolo esterno



1. Angolo interno 2. Angolo esterno

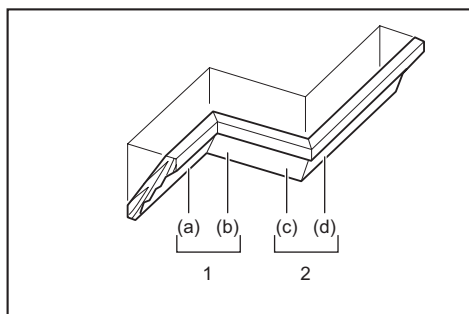
## Misurazioni

Misurare la larghezza della parete e regolare in base ad essa la larghezza del pezzo. Accertarsi sempre che la larghezza del bordo di contatto del pezzo con la parete sia identica alla lunghezza della parete.

- **Fig.45:** 1. Pezzo 2. Larghezza della parete  
3. Larghezza del pezzo 4. Bordo di contatto con la parete

Utilizzare sempre svariati pezzi per tagli di prova, in modo da controllare gli angoli della sega. Quando si eseguono tagli per modanature a corona e concave, impostare l'angolo di taglio a unghia e l'angolo di taglio obliquo come indicato nella tabella (A), quindi posizionare le modanature sulla superficie superiore della base della sega, come indicato nella tabella (B).

## Nel caso di taglio a unghia a sinistra



1. Angolo interno 2. Angolo esterno

## Tabella (A)

-	Posizione della modanatura nella figura	Angolo di taglio a unghia		Angolo di taglio obliquo	
		Tipo a 52/38°	Tipo a 45°	Tipo a 52/38°	Tipo a 45°
Per l'angolo interno	(a)	33,9° a sinistra	30° a sinistra	31,6° a destra	35,3° a destra
	(b)			31,6° a sinistra	35,3° a sinistra
Per l'angolo esterno	(c)	33,9° a sinistra	30° a sinistra	31,6° a destra	35,3° a destra
	(d)			31,6° a sinistra	35,3° a sinistra

## Tabella (B)

-	Posizione della modanatura nella figura	Bordo della modanatura appoggiato contro la guida pezzo	Pezzo finito
Per l'angolo interno	(a)	Il bordo di contatto con il soffitto deve essere appoggiato contro la guida pezzo.	Il pezzo finito si troverà sul lato sinistro della lama per sega circolare.
	(b)	Il bordo di contatto con la parete deve essere appoggiato contro la guida pezzo.	
Per l'angolo esterno	(c)	Il bordo di contatto con il soffitto deve essere appoggiato contro la guida pezzo.	Il pezzo finito si troverà sul lato destro della lama per sega circolare.
	(d)	Il bordo di contatto con la parete deve essere appoggiato contro la guida pezzo.	

Esempio:

Nel caso del taglio di una modanatura di tipo a corona a 52/38° per la posizione (a) nella figura sopra:

- Inclinare e fissare l'impostazione dell'angolo di taglio a unghia su 33,9° a SINISTRA.
- Regolare e fissare l'impostazione dell'angolo di taglio obliquo su 31,6° a DESTRA.
- Disporre la modanatura a corona con la sua superficie posteriore ampia (nascosta) appoggiata sulla base girevole con il suo BORDO DI CONTATTO CON IL SOFFITTO appoggiato contro la guida pezzo sulla sega.
- Il pezzo finito da utilizzare si troverà sempre sul lato SINISTRO della lama per sega circolare, dopo aver effettuato il taglio.

## Taglio di estrusioni di alluminio

Quando si intende fissare estrusioni di alluminio, utilizzare dei cubetti distanziatori o degli sfridi come indicato nella figura, per evitare la deformazione dell'alluminio. Quando si intende tagliare l'estrusione di alluminio, utilizzare un lubrificante da taglio per evitare l'accumulo di materiale in alluminio sulla lama per sega circolare.

**⚠AVVERTIMENTO:** Non tentare mai di tagliare estrusioni di alluminio spesse o rotonde. Estrusioni di alluminio spesse o rotonde possono risultare difficili da fissare, e il pezzo in lavorazione potrebbe allentarsi durante l'operazione di taglio, il che potrebbe risultare in una perdita di controllo e in gravi lesioni personali.

- **Fig.46:** 1. Morsa 2. Cubetto distanziatore 3. Guida pezzo 4. Estrusione di alluminio 5. Cubetto distanziatore

## Taglio di lunghezze ripetitive

Quando si intende tagliare numerosi pezzi di materiale della stessa lunghezza, dai 225 mm ai 350 mm, tirare verso l'alto la piastra di fissaggio come indicato nella figura.

Fissare il pezzo in lavorazione nella posizione per il taglio. Far scorrere la base secondaria destra in modo che la piastra di fissaggio sia a filo contro l'estremità del pezzo in lavorazione. Quindi, fissare la base secondaria con la vite a testa zigrinata.

► **Fig.47:** 1. Piastra di regolazione 2. Vite a testa zigrinata

## Taglio scanalato

**AVVERTIMENTO:** Non tentare di effettuare questo tipo di taglio utilizzando una lama di tipo più largo o una lama per zoccoli. Il tentativo di effettuare un taglio scanalato con una lama più larga o una lama per zoccoli potrebbe portare a risultati imprevisti e contraccolpi, che potrebbero risultare in gravi lesioni personali.

**AVVERTIMENTO:** Riportare il braccio di fermo sulla sua posizione originale quando si intende eseguire tagli diversi da quelli scanalati. Il tentativo di tagliare con il braccio di fermo in posizione errata potrebbe portare a risultati di taglio inaspettati e contraccolpi, che potrebbero risultare in gravi lesioni personali.

Per effettuare un taglio di tipo a zoccolo, procedere nel modo seguente:

1. Regolare la posizione del limite inferiore della lama per sega circolare utilizzando la vite di regolazione e il braccio di fermo per limitare la profondità di taglio della lama per sega circolare. Fare riferimento alla sezione relativa al braccio di fermo.

2. Dopo aver regolato la posizione di limite inferiore della lama per sega circolare, tagliare scanalature parallele lungo la larghezza del pezzo in lavorazione utilizzando un taglio a scorrimento (spinta).

► **Fig.48:** 1. Scanalature tagliate con la lama

3. Rimuovere il materiale del pezzo tra le scanalature con uno scalpello.

## Trasporto dell'utensile

Prima di trasportare l'utensile, accertarsi di scollegarlo dall'alimentazione elettrica e di aver fissato tutte le parti mobili dell'utensile. Controllare sempre quanto segue:

- Che l'utensile sia scollegato dall'alimentazione elettrica.
- Che il carrello sia alla posizione dell'angolo di taglio a unghia di 0° e che sia fissato.
- Che il carrello sia abbassato e bloccato.
- Che il carrello sia fatto scorrere completamente in avanti verso l'utilizzatore e che sia bloccato.
- Che la base girevole si trovi nella posizione dell'angolo pieno di taglio obliquo a destra e che sia fissata.

Trasportare l'utensile afferrando la maniglia da trasporto e un lato della base dell'utensile, oppure afferrando entrambi i lati della base dell'utensile.

► **Fig.49**

► **Fig.50**

**AVVERTIMENTO:** Il perno di fermo per il sollevamento del carrello serve solo a scopo di trasporto, conservazione e regolazione, non per operazioni di taglio di alcun genere. L'utilizzo del perno di fermo per operazioni di taglio potrebbe causare un movimento inaspettato della lama per sega circolare, che potrebbe risultare in un contraccolpo e in gravi lesioni personali.

**ATTENZIONE:** Fissare sempre tutte le parti mobili prima di trasportare l'utensile. Qualora delle parti dell'utensile si spostino o scorrano durante il trasporto, si potrebbe verificare una perdita di controllo o dell'equilibrio e, di conseguenza, lesioni personali.

**ATTENZIONE:** Accertarsi che l'elevazione del carrello sia bloccata correttamente all'estremità inferiore mediante il perno di fermo. Qualora il perno di fermo non sia innestato correttamente, il carrello potrebbe saltare improvvisamente verso l'alto e causare lesioni personali.

## MANUTENZIONE

**AVVERTIMENTO:** Accertarsi sempre che l'utensile sia spento e scollegato dall'alimentazione elettrica prima di tentare di eseguire interventi di ispezione o manutenzione. Qualora non si spenga l'utensile e non lo si scolleghi dall'alimentazione elettrica, si potrebbe causare l'avvio accidentale dell'utensile, che potrebbe risultare in gravi lesioni personali.

**AVVERTIMENTO:** Per ottenere prestazioni ottimali e la massima sicurezza, accertarsi sempre che la lama sia affilata e pulita. Il tentativo di tagliare con una lama non affilata e/o sporca potrebbe causare un contraccolpo e risultare in gravi lesioni personali.

**AVVISO:** Non utilizzare mai benzina, benzene, solventi, alcol o altre sostanze simili. In caso contrario, si potrebbero causare scolorimenti, deformazioni o crepe.

Per preservare la SICUREZZA e l'AFFIDABILITÀ del prodotto, le riparazioni e qualsiasi altro intervento di manutenzione e di regolazione devono essere eseguiti da un centro di assistenza autorizzato Makita, utilizzando sempre ricambi Makita.

## Regolazione dell'angolo di taglio

Il presente utensile è stato regolato e allineato con cura in fabbrica, ma l'incuria nell'utilizzo potrebbe influenzare l'allineamento. Qualora lo strumento non sia allineato correttamente, attenersi alla procedura seguente:

### Angolo di taglio obliquo

1. Bloccare il carrello nella posizione abbassata mediante il perno di fermo. Spingere il carrello verso la guida pezzo e serrare la vite a testa zigrinata per fissare il carrello.
2. Impostare la base girevole sulla posizione di 0° utilizzando la funzione di arresto meccanico (qualora l'indice non punti su 0°, lasciarla nella posizione in cui si trova).



3. Allentare i bulloni a esagono incassato che fissano la guida pezzo utilizzando la chiave esagonale.

► **Fig.51:** 1. Perno di fermo 2. Vite a testa zigrinata 3. Bulloni a esagono incassato

4. Disporre ad angolo retto il lato della lama rispetto al lato della guida pezzo utilizzando un righello triangolare o una squadra battente. Quindi, fissare saldamente i bulloni a esagono incassato sulla guida pezzo in sequenza, a partire dal lato destro.

► **Fig.52:** 1. Guida pezzo 2. Righello triangolare

5. Qualora l'indice non punti su 0°, allentare la vite che fissa l'indice e regolare l'indice in modo che punti su 0°.

► **Fig.53:** 1. Vite 2. Indice 3. Scala di taglio obliquo

## Angolo di taglio a unghia

### Angolo di taglio a unghia di 0°

1. Bloccare il carrello nella posizione abbassata mediante il perno di fermo. Spingere il carrello verso la guida pezzo e serrare la vite a testa zigrinata per fissare il carrello.

2. Allentare la leva. Quindi, ruotare di due o tre giri in senso antiorario il bullone di regolazione di 0° per inclinare la lama per sega circolare verso destra.

► **Fig.54:** 1. Leva 2. Bullone di regolazione di 0°

3. Disporre ad angolo retto con cura il lato della lama rispetto alla superficie superiore della base girevole utilizzando un righello triangolare, una squadra battente, e così via, ruotando in senso orario il bullone di regolazione di 0°. Quindi, serrare saldamente la leva per fissare l'angolo di 0° impostato.

► **Fig.55:** 1. Righello triangolare 2. Lama 3. Superficie superiore della base girevole

4. Qualora l'indice non punti su 0°, allentare la vite che fissa l'indice e regolarlo in modo che punti su 0°.

► **Fig.56:** 1. Vite 2. Indice 3. Scala di smussatura

### Angolo di taglio a unghia di 45°

**AVVISO:** Prima di regolare l'angolo di taglio a unghia di 45°, terminare la regolazione dell'angolo di taglio a unghia di 0°.

1. Serrare la vite a testa zigrinata per fissare il carrello.

2. Allentare la leva. Quindi, inclinare completamente il carrello verso sinistra.

► **Fig.57:** 1. Vite a testa zigrinata 2. Leva

3. Verificare se l'indice indichi la posizione dei 45° sulla scala dell'angolo di taglio a unghia.

Qualora l'indice non indichi la posizione dei 45°, allinearne con la posizione dei 45° ruotando il bullone di regolazione dei 45°.

► **Fig.58:** 1. Bullone di regolazione dei 45°

## Sostituzione delle spazzole in carbonio

Rimuovere e controllare a intervalli regolari le spazzole in carbonio. Sostituirle quando si usurano fino ad arrivare al segno limite. Mantenere le spazzole in carbonio pulite e libere di scorrere nei supporti. È necessario sostituire entrambe le spazzole in carbonio contemporaneamente. Utilizzare esclusivamente spazzole in carbonio identiche.

► **Fig.59:** 1. Segno limite

Utilizzare un cacciavite per rimuovere i cappucci degli alloggiamenti delle spazzole. Estrarre le spazzole in carbonio usurate, inserire quelle nuove e fissare i cappucci degli alloggiamenti delle spazzole.

► **Fig.60:** 1. Cappuccio dell'alloggiamento della spazzola

## Dopo l'uso

Dopo l'uso, rimuovere i trucioli e la segatura attaccati all'utensile con un panno o uno straccio. Mantenere pulita la protezione della lama attenendosi alle indicazioni fornite nella sezione precedente "Protezione lama". Per evitare la ruggine, lubrificare le parti scorrevoli con olio per macchine.

## ACCESSORI OPZIONALI

**AVVERTIMENTO:** Questi accessori o componenti aggiuntivi Makita sono consigliati per l'uso con l'utensile Makita specificato nel presente manuale. L'uso di qualsiasi altro accessorio o componente aggiuntivo potrebbe risultare in gravi lesioni personali.

**AVVERTIMENTO:** Utilizzare l'accessorio o il componente aggiuntivo Makita unicamente per il suo scopo specificato. L'uso improprio di un accessorio o di un componente aggiuntivo potrebbe risultare in gravi lesioni personali.

Per ottenere ulteriori dettagli relativamente a questi accessori, rivolgersi a un centro di assistenza Makita.

- Lama in acciaio e al carburo
- Morsa verticale
- Sacchetto segatura
- Righello triangolare
- Chiave esagonale
- Kit supporti

**NOTA:** Alcuni articoli nell'elenco potrebbero essere inclusi nell'imballaggio dell'utensile come accessori standard. Tali articoli potrebbero variare da nazione a nazione.

## TECHNISCHE GEGEVENS

<b>Model:</b>		<b>LS0816F</b>
Diameter zaagblad		216 mm
Diameter middengat	Europese landen	30 mm
	Niet-Europese landen	25,4 mm of 30 mm (afhankelijk van het land)
Maximale breedte van de zaagsnede van het zaagblad		2,8 mm
Max. verstekhoek		Links 47°, rechts 47°
Max. schuine hoek		Links 47°, rechts 2°
Nullasttoerental (t/min)		5.000 min <sup>-1</sup>
Afmetingen (l x b x h)		476 mm x 705 mm x 521 mm
Nettogewicht		13,9 kg
Veiligheidsklasse		□/II







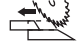
- In verband met ononderbroken research en ontwikkeling behouden wij ons het recht voor bovenstaande technische gegevens te wijzigen zonder voorafgaande kennisgeving.
- De technische gegevens kunnen van land tot land verschillen.
- Gewicht volgens EPTA-procedure 01/2014

### Zaagcapaciteit (h x b) met zaagblad van ø 216 mm

Verstekhoek	Schuine hoek		
	45° (links)	0°	2° (rechts)
0°	36 mm x 305 mm	65 mm x 305 mm	60 mm x 305 mm
45° (links en rechts)	36 mm x 215 mm	65 mm x 215 mm	-

## Symbolen

Hieronder staan de symbolen die voor het gereedschap kunnen worden gebruikt. Zorg ervoor dat u de betekenis ervan kent voordat u het gereedschap gaat gebruiken.

	Lees de gebruiksaanwijzing.
	DUBBEL GEÏSOLEERD
	Draag een veiligheidsbril.
	Om letsel door rondvliegende houtsnippers te voorkomen, blijft u na het zagen de zaagkop omlaag gedruwd houden totdat het zaagblad volledig tot stilstand is gekomen.
	Voor het uitvoeren van schuivend zagen trekt u eerst de slede helemaal naar u toe, brengt u vervolgens het handvat omlaag, en duwt u tenslotte de slede naar de geleider.
	Houd handen en vingers uit de buurt van het zaagblad.
	Stel de schuifgeleiders zo in dat ze niet geraakt kunnen worden door het zaagblad en de beschermkap.



Kijk niet rechtstreeks in de lamp wanneer deze aan is.



Alleen voor EU-landen  
Als gevolg van de aanwezigheid van schadelijke componenten in het apparaat, kunnen gebruikte elektrische en elektronische apparaten negatieve gevolgen hebben voor het milieu en de gezondheid van mensen.  
Gooi elektrische en elektronische apparaten niet met het huisvuil weg!  
In overeenstemming met de Europese richtlijn inzake oude elektrische en elektronische apparaten en de toepassing daarvan binnen de nationale wetgeving, dienen gebruikte elektrische en elektronische apparaten gescheiden te worden ingezameld en te worden ingeleverd bij een apart inzamelingspunt voor huishoudelijk afval dat de milieubeschermingsvoorschriften in acht neemt.  
Dit wordt op het apparaat aangegeven door het symbool van een doorgekruiste afvalcontainer.

## Gebruiksdoeleinden

Dit gereedschap is bedoeld voor nauwkeurig recht zagen en verstekzagen in hout. Als het juiste zaagblad wordt gebruikt, kan dit gereedschap ook aluminium zagen. Raadpleeg voor meer informatie het hoofdstuk **BEDIENING**.

## Voeding

Het gereedschap mag alleen worden aangesloten op een voeding van dezelfde spanning als aangegeven op het typeplaatje, en kan alleen worden gebruikt op enkelfase-wisselstroom. Het gereedschap is dubbel-geïsoleerd en kan derhalve ook op een niet-geaard stopcontact worden aangesloten.

## Geluidsniveau

De typische, A-gewogen geluidsniveaus zijn gemeten volgens EN62841-3-9:

Geluidsdrukniveau ( $L_{pA}$ ): 91 dB (A)

Geluidsvermogeniveau ( $L_{WA}$ ): 102 dB (A)

Onzekerheid (K): 3 dB (A)

**OPMERKING:** De opgegeven geluidsemisiewaarde(n) is/zijn gemeten volgens een standaardtestmethode en kan/kunnen worden gebruikt om dit gereedschap te vergelijken met andere gereedschappen.

**OPMERKING:** De opgegeven geluidsemisiewaarde(n) kan/kunnen ook worden gebruikt voor een beoordeling vooraf van de blootstelling.

**⚠️ WAARSCHUWING:** Draag gehoorbescherming.

**⚠️ WAARSCHUWING:** De geluidsemisie tijdens het gebruik van het elektrisch gereedschap in de praktijk kan verschillen van de opgegeven waarde(n) afhankelijk van de manier waarop het gereedschap wordt gebruikt, met name van het soort werkstuk waarmee wordt gewerkt.

**⚠️ WAARSCHUWING:** Zorg ervoor dat veiligheidsmaatregelen worden getroffen ter bescherming van de gebruiker die zijn gebaseerd op een schatting van de blootstelling onder praktijkomstandigheden (rekening houdend met alle fasen van de bedrijfscyclus, zoals de tijdsduur gedurende welke het gereedschap is uitgeschakeld en stationair draait, naast de ingeschakelde tijdsduur).

## Verklaringen van conformiteit

### *Alleen voor Europese landen*

De verklaringen van conformiteit zijn bijgevoegd in Bijlage A bij deze gebruiksaanwijzing.

# VEILIGHEIDSWAARSCHUWINGEN

## Algemene veiligheidswaarschuwingen voor elektrisch gereedschap

**⚠️ WAARSCHUWING** Lees alle veiligheidswaarschuwingen, instructies, afbeeldingen en technische gegevens die bij dit elektrisch gereedschap worden geleverd. Als niet alle onderstaande instructies worden opgevolgd, kan dat leiden tot een elektrische schok, brand en/of ernstig letsel.

## Bewaar alle waarschuwingen en instructies om in de toekomst te kunnen raadplegen.

De term "elektrisch gereedschap" in de veiligheidsvoorschriften duidt op gereedschappen die op stroom van het lichtnet werken (met snoer) of gereedschappen met een accu (snoerloos).

### Veiligheid op de werkplek

- Zorg dat uw werkgeving schoon is en helder verlicht.** Op een rommelige of donkere werkplek gebeuren vaker ongevallen.
- Gebruik elektrisch gereedschap niet in een explosieve atmosfeer, zoals in de buurt van licht ontvlambare vloeistoffen, gassen of stof.** Elektrisch gereedschap wekt vonken op die het stof of de dampen kan doen ontbranden.
- Houd kinderen en omstanders uit de buurt tijdens het gebruik van elektrisch gereedschap.** Als u afgeleid wordt, kunt u de macht over het gereedschap verliezen.

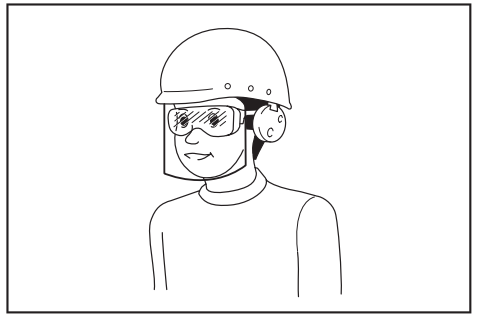
### Elektrische veiligheid

- Let op dat de stekker van het gereedschap goed in het stopcontact past. Probeer nooit om de netsnoerstekker op enige wijze aan te passen. Gebruik met geaard elektrisch gereedschap (met aardaansluiting) nooit een adapter of verloopstekker.** Met de standaardstekker in een overeenkomstig stopcontact verkleint u de kans op een elektrische schok.
- Voorkom aanraking met geaarde oppervlakken, zoals pijpen, radiatoren, fornuizen of koelkasten.** De kans op een elektrische schok is groter wanneer uw lichaam is geaard.
- Stel elektrisch gereedschap niet bloot aan regen of natte omstandigheden.** Als water binnendringt in het elektrisch gereedschap, wordt de kans op een elektrische schok groter.
- Behandel het snoer voorzichtig. Til het gereedschap niet aan het snoer op en trek er niet aan maar pak de stekker vast om die uit het stopcontact te verwijderen. Houd het netsnoer uit de buurt van hitte, olie, scherpe randen en bewegende delen.** Beschadigde en in de war geraakte snoeren verhogen de kans op een elektrische schok.
- Bij gebruik van elektrisch gereedschap buitenshuis, gebruikt u een verlengsnoer dat geschikt is voor gebruik buitenshuis.** Een verlengsnoer dat geschikt is voor gebruik buitenshuis verkleint de kans op elektrische schokken.
- Als het onvermijdbaar is een elektrisch gereedschap te gebruiken in een vochtige omgeving, gebruikt u een voeding met een reststroombeveiliging (RCD).** Het gebruik van een RCD verkleint de kans op elektrische schokken.
- Wij adviseren u altijd gebruik te maken van een voeding met RCD met een nominale reststroom van 30 mA of lager.**
- Elektrische gereedschappen kunnen elektromagnetische velden (EMF) genereren die ongevaarlijk zijn voor de gebruiker.** Echter, gebruikers met een pacemaker of andere soortgelijke medische apparaten dienen voor advies contact op te nemen met de fabrikant van hun apparaat en/of een dokter voordat ze dit elektrisch gereedschap gebruiken.

9. Raak de stekker niet met natte handen aan.
10. Als het netsnoer beschadigd is, laat u dit vervangen door de fabrikant of zijn vertegenwoordiger om een gevaarlijke situatie te voorkomen.

### Persoonlijke veiligheid

1. **Let altijd goed op, kijk naar wat u aan het doen bent, en gebruik uw gezond verstand tijdens het werken met een elektrisch gereedschap. Ga niet met elektrisch gereedschap werken wanneer u moe bent of als u drugs, alcohol of medicijnen hebt ingenomen.** Een ogenblik van onoplettendheid kan tijdens het gebruik van een elektrisch gereedschap leiden tot ernstig persoonlijk letsel.
2. **Gebruik persoonlijke-veiligheidsmiddelen. Draag altijd oogbescherming.** Veiligheidsmiddelen, zoals stofmaskers, slipvast veiligheidsschoenen, veiligheidshelm en gehoorbescherming, gebruikt in toepasselijke situaties, dragen bij tot vermindering van persoonlijk letsel.
3. **Voorkom onbedoeld starten. Controleer dat de schakelaar in de uit-stand staat alvorens het gereedschap aan te sluiten op de voeding en/of accu, op te pakken of te dragen.** Door elektrisch gereedschap te dragen met uw vinger op de schakelaar, of door het gereedschap op een voeding aan te sluiten terwijl de schakelaar aan staat, neemt de kans op ongelukken sterk toe.
4. **Verwijder afstelsleutels en tangen voordat u het elektrisch gereedschap inschakelt.** Een sleutel of tang die nog aan een draaiend deel van het elektrisch gereedschap vastzit, kan persoonlijk letsel veroorzaken.
5. **Reik niet te ver. Zorg altijd voor een stevige stand en goede lichaamsbalans.** Zo heeft u een betere controle over het elektrisch gereedschap in onverwachte situaties.
6. **Draag geschikte kleding. Draag geen losse kleding of sieraden. Houd uw haar en kleding uit de buurt van draaiende onderdelen.** Loshangende kleding, sieraden en lang haar kunnen verstrikt raken in bewegende delen.
7. **Als het elektrisch gereedschap is uitgerust met een aansluiting voor stofafzuig- en stofopvangvoorzieningen, zorgt u ervoor dat deze zijn aangesloten en correct worden gebruikt.** Het gebruik van een stofvanger kan gevaar door stof verminderen.
8. **Zorg ervoor dat bekendheid met het gereedschap als gevolg van veelvuldig gebruik er niet toe leidt dat u nalatig wordt en de veiligheidsvoorschriften negeert.** Een roekeloze handeling kan ernstig letsel veroorzaken in een fractie van een seconde.
9. **Draag tijdens het gebruik van elektrisch gereedschap altijd een veiligheidsbril om uw ogen te beschermen tegen letsel.** De bril moet voldoen aan ANSI Z87.1 in de Verenigde Staten, aan EN 166 in Europa, en aan AS/NZS 1336 in Australië en Nieuw-Zeeland. In Australië en Nieuw-Zeeland is het wettelijk verplicht om tevens een spatscherm te dragen om uw gezicht te beschermen.



Het is de verantwoordelijkheid van de werkgever om ervoor te zorgen dat geschikte beschermingsmiddelen gebruikt worden door de gebruikers van het gereedschap en anderen in de onmiddellijke omgeving van de werkplek.

### Gebruik en verzorging van elektrisch gereedschap

1. **Overbelast het elektrisch gereedschap niet. Gebruik het juiste elektrisch gereedschap voor het werk.** Het juiste elektrisch gereedschap werkt beter en veiliger binnen het aangegeven capaciteitsbereik.
2. **Gebruik het elektrisch gereedschap niet als het niet kan worden in- en uitgeschakeld met de schakelaar.** Ieder elektrisch gereedschap dat niet met de schakelaar kan worden bediend is gevaarlijk en moet eerst worden gerepareerd.
3. **Trek de stekker uit het stopcontact en/of verwijder de accu, indien afneembaar, vanaf het elektrisch gereedschap voordat u afstellingen maakt, accessoires verwisselt of het elektrisch gereedschap opbergt.** Dergelijke preventieve veiligheidsmaatregelen verlagen de kans dat het elektrisch gereedschap per ongeluk wordt gestart.
4. **Bewaar elektrische gereedschappen die niet worden gebruikt buiten het bereik van kinderen en voorkom dat personen die onbekend zijn met het gebruik ervan of met deze instructies het elektrisch gereedschap gebruiken.** Elektrische gereedschappen zijn gevaarlijk in de handen van onervaren gebruikers.
5. **Onderhoud elektrische gereedschappen en accessoires. Controleer op een slechte uitlijning of het aanlopen van draaiende delen, het afbreken van onderdelen en alle andere situaties die van invloed kunnen zijn op de werking van het elektrisch gereedschap. Als het elektrisch gereedschap beschadigd is, laat u het eerst repareren voordat u het gebruikt.** Veel ongelukken worden veroorzaakt doordat het elektrisch gereedschap slecht wordt onderhouden.
6. **Houd snij- en zaagmaturen scherp en schoon.** Goed onderhouden snij- en zaagmaturen met scherpe snij- en zaagranden lopen minder vaak vast en zijn gemakkelijker te gebruiken.
7. **Gebruik het elektrisch gereedschap met de bijbehorende accessoires, bits, enz., overeenkomstig deze instructies, met inachtneming van de werkomstandigheden en het werk dat wordt uitgevoerd.** Het gebruik van het elektrisch gereedschap bij andere werkzaamheden dan waarvoor het is bedoeld, kan leiden tot gevaarlijke situaties.

8. **Houd de handgrepen en oppervlakken die vastgepakt worden droog, schoon en vrij van olie en vetten.** Gladde handgrepen en oppervlakken die vastgepakt worden maken het veilig hanteren en bedienen van het gereedschap in onverwachte situaties onmogelijk.
9. **Draag tijdens het gebruik van dit gereedschap geen stoffen werkhandschoenen die erin verstrikt kunnen raken.** Wanneer werkhandschoenen verstrikt raken in de bewegende delen kan persoonlijk letsel worden veroorzaakt.

#### Reparatie

1. **Laat uw elektrisch gereedschap repareren door een vakbekwame reparateur die gebruik maakt van uitsluitend identieke vervangingsonderdelen.** Zo bent u ervan verzekerd dat de veiligheid van het elektrisch gereedschap behouden blijft.
2. **Volg de instructies voor het smeren en verwisselen van accessoires.**

### Veiligheidsinstructies voor verstekzagen

1. **Verstekzagen zijn bedoeld voor het zagen van hout of houtachtige materialen. Ze kunnen niet worden gebruikt met doorslijpschijven voor het doorslijpen van ferro-materialen, zoals stangen, staven, draadeinden, enz.** Door het slijpstof zullen bewegende delen, zoals de onderste beschermkap, vastlopen. De vonken die bij doorslijpen worden geproduceerd, verbranden de onderste beschermkap, het zaagsnede-inzetstuk en andere kunststofonderdelen.
2. **Gebruik klemmen om het werkstuk vast te zetten wanneer dat mogelijk is. Als u het werkstuk met de hand vasthoudt, moet u uw hand altijd minstens 100 mm van beide kanten van het zaagblad weg houden. Gebruik deze zaag niet voor het zagen van werkstukken die te klein zijn om stevig vast te klemmen of met de hand vast te houden.** Als uw hand te dicht bij het zaagblad is geplaatst, is de kans groter dat u letsel oploopt door het aanraken van het zaagblad.
3. **Het werkstuk moet stil liggen en vastgeklemd zijn of vastgehouden worden tegen zowel de geleider als de tafel. Voer het werkstuk niet in het zaagblad aan, en zaag nooit 'uit de vrije hand'.** Losliggende of bewegende werkstukken kunnen op hoge snelheid worden weggeworpen en letsel veroorzaken.
4. **Duw het zaagblad door het werkstuk. Trek het zaagblad niet door het werkstuk. Om een zaagsnede te maken, brengt u de zaagkop omhoog en trekt u het naar u toe boven het werkstuk zonder te zagen. Start de motor, duw de zaagkop omlaag en duw het zaagblad door het werkstuk.** Als tijdens de trekkende beweging wordt gezaagd, klimt het zaagblad waarschijnlijk uit het werkstuk en wordt de zaagkop met kracht in de richting van de gebruiker geworpen.
5. **Kruis met uw hand nooit de beoogde zaaglijn, hetzij vóór dan wel achter het zaagblad.** Het 'kruislings' vasthouden van het werkstuk, waarbij het werkstuk aan de rechterkant van het zaagblad wordt vastgehouden met de linkerhand, of vice versa, is bijzonder gevaarlijk.
6. **Reik niet achter de geleider met een van uw handen dichterbij dan 100 mm bij een van de kanten van het zaagblad, om houtsnippers te verwijderen of om welke andere reden dan ook, terwijl het zaagblad draait.** U realiseert zich mogelijk niet hoe dicht uw hand bij het draaiende zaagblad is en u kunt ernstig letsel oplopen.
7. **Inspecteer uw werkstuk voordat u begint te zagen. Als het werkstuk gebogen of verdraaid is, klemt u het vast met de buitenkant van het gebogen oppervlak tegen de geleider. Verzekert u er altijd van dat er geen opening is tussen het werkstuk, de geleider en de tafel langs de zaaglijn.** Gebogen of verdraaide werkstukken kunnen zich draaien of verschuiven, en kunnen het draaiende zaagblad doen verlopen tijdens het zagen. Er mogen geen spijkers of vreemde voorwerpen in het werkstuk zitten.
8. **Gebruik de zaag niet totdat de tafel vrij is van alle gereedschappen, houtsnippers, enz., behalve het werkstuk.** Kleine stukjes afval, losse stukjes hout of andere voorwerpen die in aanraking komen met het draaiende zaagblad, kunnen met hoge snelheid worden weggeworpen.
9. **Zaag slechts één werkstuk tegelijkertijd.** Meerdere, opgestapelde werkstukken kunnen niet goed worden vastgeklemd of vastgehouden, en kunnen het zaagblad doen vastlopen of tijdens het zagen verschuiven.
10. **Verzekert u er vóór gebruik van dat de verstekzaag is bevestigd of geplaatst op een stevig werkoppervlak.** Een horizontaal en stevig werkoppervlak verkleint de kans dat de verstekzaag instabiel wordt.
11. **Plan uw werkzaamheden. Elke keer wanneer u de instelling voor de schuine hoek of verstekhoek, verzekert u zich ervan dat de verstelbare geleider correct is afgesteld om het werkstuk te steunen en tevens het zaagblad of beschermingssysteem niet raakt tijdens gebruik.** Zonder het gereedschap in te schakelen en zonder een werkstuk op de tafel, beweegt u het zaagblad langs een volledige, gesimuleerde zaagsnede om er zeker van te zijn dat het zaagblad niets raakt en er geen gevaar is dat in de geleider wordt gezaagd.
12. **Zorg voor voldoende ondersteuning, zoals tafolverlengingen, zaagbokken, enz. voor een werkstuk dat breder of langer is dan het bovenoppervlak van de tafel.** Werkstukken die breder of langer zijn dan de verstekzaagtafel, kunnen kantelen als ze niet goed worden ondersteunt. Als het afgezaagde deel of het werkstuk kantelt, kan het de onderste beschermkap optillen of worden weggeworpen door het draaiende zaagblad.
13. **Gebruik niet een andere persoon als vervanging van een tafolverlenging of als extra ondersteuning.** Een instabiele ondersteuning van het werkstuk kan ertoe leiden dat het zaagblad vastloopt of het werkstuk verschuift tijdens het zagen, waardoor u en de helper in het draaiende zaagblad worden getrokken.
14. **Het afgezaagde deel van het werkstuk mag op geen enkele wijze tegen het draaiende zaagblad bekneld raken of gedrukt worden.** Indien opgesloten, d.w.z. bij gebruik van lengteaanslagen, kan het afgezaagde deel tegen het zaagblad bekneld raken en met kracht weggeworpen worden.

► Fig.1

15. **Gebruik altijd een klem of een bevestigingsmethode die bedoeld is om ronde werkstukken, zoals een staaf of buis, te ondersteunen.** Staven neigen te verrollen tijdens het zagen, waardoor het zaagblad zich 'vastbijt' en het werkstuk met uw hand in het zaagblad wordt getrokken.
16. **Laat het zaagblad de volle snelheid bereiken voordat deze het werkstuk raakt.** Dit verkleint de kans dat het werkstuk wordt weggegooid.
17. **Als het werkstuk of zaagblad vastloopt, schakelt u de verstekzaag uit. Wacht totdat alle bewegende delen tot stilstand zijn gekomen en trek de stekker uit het stopcontact en/of verwijder de accu. Verwijder daarna het vastgelopen materiaal.** Als u blijft zagen met een vastgelopen zaagblad, kunt u de controle over de verstekzaag verliezen of deze beschadigen.
18. **Nadat u de zaagsnede hebt voltooid, laat u de schakelaar los, blijft u de zaagkop omlaag gedrukt houden en wacht u tot het zaagblad stilstaat voordat u het afgezaagde deel verwijderd.** Het is gevaarlijk om met uw hand in de buurt van het nalopende zaagblad te reiken.
19. **Gebruik uitsluitend een zaagblad met een diameter zoals aangegeven op het gereedschap of vermeld in de gebruiksaanwijzing.** Het gebruik van een zaagblad met een verkeerde afmeting, kan een goede bescherming van het zaagblad of werking van de beschermkap verhinderen, wat kan leiden tot ernstig persoonlijk letsel.
20. **Gebruik altijd een zaagblad dat is gemarkeerd met een toerental dat gelijk is aan of hoger is dan het toerental dat is aangegeven op het gereedschap.**
21. **Gebruik de zaag niet om andere materialen te zagen dan worden aangegeven.**
22. **(Alleen voor Europese landen) Gebruik altijd een zaagblad dat voldoet aan EN847-1, indien bedoeld voor hout en daarmee gelijk te stellen materialen.**

#### Aanvullende instructies

1. **Houd de werkplaats kinderveilig met hangsloten.**
2. **Ga nooit op het gereedschap staan.** Er kan ernstig letsel ontstaan als het gereedschap omvalt of als het snij-/zaaggarnituur per ongeluk wordt aangeraakt.
3. **Laat het gereedschap nooit ingeschakeld achter.** Schakel de voeding uit. Laat het gereedschap niet achter totdat het volledig tot stilstand is gekomen.
4. **Gebruik de zaag niet zonder dat de beschermkappen zijn aangebracht.** Controleer vóór elk gebruik of de beschermkap goed sluit. Gebruik de zaag niet indien de beschermkap niet goed beweegt en niet snel over het zaagblad sluit. Klem of bind de beschermkap nooit in de geopende stand vast.
5. **Houd uw handen uit de buurt van het zaagblad.** Voorkom contact met het nog nadraaiende zaagblad. Het kan nog steeds ernstig letsel veroorzaken.
6. **Om de kans op letsel te verkleinen, schuift u de slede terug naar zijn achterste stand na elke afkortzaagsnede.**
7. **Zet alle bewegende onderdelen vast alvorens het gereedschap te dragen.**
8. **De aanslagen of aanslaghendel die de zaagkop in de onderste stand vergrendelt, wordt alleen gebruikt voor het dragen en opbergen van het gereedschap en niet voor zaagbedieningen.**
9. **Controleer vóór het gebruik het zaagblad zorgvuldig op barsten of beschadiging.** Vervang een gebarsten of beschadigd zaagblad onmiddellijk. Gom of hars dat op het zaagblad is opgedroogd vertraagt het zaagblad en verhoogt de kans op terugslag. Houd het zaagblad schoon door dit eerst van het gereedschap te demonteren en het vervolgens schoon te maken met een schoonmaakmiddel voor gom en hars, heet water of kerosine. Gebruik nooit benzine om het zaagblad schoon te maken.
10. **Tijdens het uitvoeren van schuivend zagen, kan een TERUGSLAG optreden.** Een TERUGSLAG treedt op wanneer het zaagblad vastloopt in het werkstuk tijdens het zagen en het zaagblad snel in de richting van de gebruiker wordt bewogen. Dit kan leiden tot verlies van controle over het gereedschap en ernstig persoonlijk letsel. Wanneer het zaagblad begint vast te lopen tijdens het zagen, zaagt u niet verder maar laat u de schakelaar onmiddellijk los.
11. **Gebruik alleen flenzen die voor dit gereedschap zijn bestemd.**
12. **Pas op dat u de as, de flenzen (vooral hun montagevlak) of de bout niet beschadigt.** Beschadiging van deze onderdelen kan zaagbladbreuk veroorzaken.
13. **Zorg dat het draaibaar voetstuk goed vastgezet is, zodat het tijdens het zagen niet kan bewegen.** Gebruik de gaten in het voetstuk om de zaag te bevestigen op een stevig werkplatform of een stevige werkbank. Gebruik het gereedschap NOOIT wanneer de gebruiker in een ongemakkelijke houding moet staan.
14. **Zet de asblokkering in de vrije stand alvorens de schakelaar in te drukken.**
15. **Zorg ervoor dat het zaagblad in zijn laagste positie niet in aanraking komt met het draaibaar voetstuk.**
16. **Houd het handvat stevig vast.** Denk eraan dat de zaag bij het starten en stoppen even op- en neergaat.
17. **Zorg dat het zaagblad het werkstuk niet raakt voordat u op de schakelaar drukt.**
18. **Laat gereedschap een tijdje draaien voordat u het op het werkstuk gaat gebruiken.** Controleer op trillingen of schommelingen die op onjuiste montage of op een slecht uitgebalanceerd zaagblad kunnen wijzen.
19. **Stop onmiddellijk met zagen indien u iets abnormaals opmerkt.**



20. **Probeer niet om de trekkerschakelaar in de ingeschakeld stand te vergrendelen.**
21. **Gebruik uitsluitend de accessoires die in deze gebruiksaanwijzing worden aanbevolen. Het gebruik van ongeschikte accessoires, zoals slijpschijven, kan letsel veroorzaken.**
22. **Sommige materialen bevatten chemische stoffen die giftig kunnen zijn. Wees voorzichtig dat u geen stof inademt en het stof niet op uw huid komt. Volg de veiligheidsinstructies van de leverancier van het materiaal op.**

**Aanvullende veiligheidsvoorschriften voor een lamp wanneer deze aan is**

1. **Kijk niet direct in het lamplicht of in de lichtbron.**

## BEWAAR DEZE INSTRUCTIES.

**⚠ WAARSCHUWING:** Laat u NIET misleiden door een vals gevoel van comfort en bekendheid met het gereedschap (na veelvuldig gebruik) en neem alle veiligheidsvoorschriften van het betreffende gereedschap altijd strikt in acht. **VERKEERD GEBRUIK** of het niet naleven van de veiligheidsvoorschriften in deze gebruiksaanwijzing kan leiden tot ernstig persoonlijk letsel.

## BESCHRIJVING VAN DE ONDERDELEN

► Fig.2

1	Stelschroef (aanslag van onderste stand)	2	Aanslagarm	3	Stofzak	4	Vingerschroef (voor schuiven van slede)
5	Wijzer (voor schuine hoek)	6	Schuine-hoekschaal	7	Sledestang	8	Verticale spanschroef
9	Schuifgeleider	10	Stelbout voor 0° (voor schuine hoek)	11	Geleider	12	Hulpvoetstuk
13	Draaibaar voetstuk	14	Verstekhoekschaal	15	Wijzer (voor verstekhoek)	16	Zaagsnedeplaat
17	Stelbout (voor draaibaar voetstuk)	18	Vergrendelhendel (voor draaibaar voetstuk)	19	Handgreep (voor draaibaar voetstuk)	20	Stofbescherming
21	Beschermkap	22	Lamp	23	Handvat (voor bediening)	24	Trekkerschakelaar
25	Gat voor een hangslot	26	Uit-vergrendelknop	27	Draaghandgreep	-	-

► Fig.3

1	Lampschakelaar	2	Asblokkering	3	Stelbout (voor maximale zaagdiepte)	4	Aanslagen (voor omhoog brengen van slede)
5	Aanzetplaat	6	Inbussleutel	7	Stelbout voor 45° (voor schuine hoek)	8	Hendel (voor schuine hoek)
9	Ontgrendelknop (voor schuine hoek)	-	-	-	-	-	-

## BEVESTIGEN

### Op een werktafel bevestigen

**⚠ WAARSCHUWING:** Zorg ervoor dat het gereedschap niet kan bewegen op de ondergrond. Als de verstekzaag tijdens het zagen beweegt ten opzichte van de ondergrond, kan dat leiden tot verlies van controle over het gereedschap en ernstig persoonlijk letsel.

1. Monteer het voetstuk met behulp van bouten op een horizontale en stabiele ondergrond. Hierdoor wordt voorkomen dat het gereedschap omkantelt en mogelijk letsel veroorzaakt.

► Fig.4: 1. Bout 2. Bevestigingsgat

2. Draai de stelbout rechtsom of linksom totdat deze met het vloeroppervlak in contact komt om het gereedschap stabiel te houden.

► Fig.5: 1. Stelbout



# BESCHRIJVING VAN DE FUNCTIES

**⚠ WAARSCHUWING:** Zorg ervoor dat het gereedschap is uitgeschakeld en de stekker uit het stopcontact is getrokken voordat u de werking van het gereedschap aanpast of controleert. Als het gereedschap niet wordt uitgeschakeld en de stekker niet uit het stopcontact wordt getrokken, kan dat na per ongeluk inschakelen leiden tot ernstig persoonlijk letsel.

## Handvatvergrendeling

**⚠ LET OP:** Houd altijd het handvat vast wanneer u de aanslagpen ontgrendelt. Anders springt het handvat omhoog en kan persoonlijk letsel ontstaan.

Tijdens verzending is het handvat met behulp van de aanslagpen vergrendeld in de onderste stand. Om het handvat te ontgrendelen, duwt u het handvat iets omlaag en trekt u aan de aanslagpen.

► **Fig.6:** 1. Aanslagpen

## Schuifvergrendeling

Om het schuiven van de slede mogelijk te maken, draait u de vingerschroef op de arm los. Om de schuifbeweging van de slede te vergrendelen, schuift u de slede naar de gewenste positie, en draait u de vingerschroef stevig vast.

► **Fig.7:** 1. Vleugerschroef 2. Arm

## Beschermkap

**⚠ WAARSCHUWING:** Zet nooit de beschermkap vast en verwijder nooit de beschermkap of de veer die eraan is bevestigd. Een blootliggend cirkelzaagblad als gevolg van een buiten werking gestelde beschermkap kan tijdens gebruik leiden tot ernstig persoonlijk letsel.

**⚠ WAARSCHUWING:** Gebruik het gereedschap nooit wanneer de beschermkap of de veer beschadigd, defect of verwijderd is. Het gebruik van het gereedschap met een beschadigde, defecte of verwijderde beschermkap kan leiden tot ernstig persoonlijk letsel.

**⚠ LET OP:** Voor een veilig gebruik zorgt u ervoor dat de beschermkap altijd goed werkt. Stop het gebruik onmiddellijk als de beschermkap zich abnormaal gedraagt. Controleer of de veer goed werkt zodat de beschermkap goed terugkeert.

Wanneer het handvat omlaag wordt gebracht, gaat de beschermkap automatisch omhoog. De beschermkap is veerbelast zodat zij naar haar oorspronkelijke positie terugkeert wanneer het zagen voltooid is en het handvat omhoog wordt gebracht.

► **Fig.8:** 1. Beschermkap

## Reinigen

Als de doorzichtige beschermkap vuil is geworden of zaagsel aan de doorzichtige beschermkap kleeft zodat het cirkelzaagblad en/of het werkstuk niet meer goed zichtbaar is, trekt u de stekker uit het stopcontact en maakt u de beschermkap voorzichtig schoon met een vochtige doek. Gebruik geen oplosmiddelen of een schoonmaakmiddel op petroleumbasis op de kunststoffen beschermkap omdat hierdoor de beschermkap kan worden beschadigd. Volg de vermelde stapsgewijze instructies voor het voorbereiden van de reiniging.

1. Verzekeer u ervan dat het gereedschap is uitgeschakeld en de stekker uit het stopcontact is getrokken.
  2. Draai de inbusbout met de bijgeleverde inbussleutel linksom terwijl u de middenkap tegenhoudt.
  3. Breng de beschermkap en de middenkap omhoog.
  4. Nadat het reinigen klaar is, plaatst u de middenkap terug en draait u de inbusbout vast door de bovenstaande stappen in omgekeerde volgorde uit te voeren.
- **Fig.9:** 1. Inbussleutel 2. Inbusbout 3. Middenkap 4. Beschermkap

**⚠ WAARSCHUWING:** Verwijder de veer van de beschermkap niet. Als de beschermkap beschadigd is na verloop van tijd of door blootstelling aan ultraviolet licht, neemt u contact op met een Makita-servicecentrum om een vervangingsonderdeel te bestellen. **DE BESCHERMKAP NOOIT VASTZETTEN OF VERWIJDEREN.**

## De zaagsnedeplaten afstellen

Om scheuren op de uitlaatkant van een snede tot een minimum te beperken, is dit gereedschap voorzien van zaagsnedeplaten in het draaibaar voetstuk. De zaagsnedeplaten zijn in de fabriek zodanig afgesteld dat het cirkelzaagblad niet met de zaagsnedeplaten in aanraking komt. Stel de zaagsnedeplaten als volgt af alvorens de zaag in gebruik te nemen:

1. Verzekeer u ervan dat de stekker van het gereedschap uit het stopcontact is getrokken. Draai daarna alle schroeven (drie aan de linkerzijde en drie aan de rechterzijde) los waarmee de zaagsnedeplaten zijn vastgemaakt.
- **Fig.10:** 1. Zaagsnedeplaat 2. Schroef
2. Trek de schroeven weer aan in zulke mate dat de zaagsnedeplaten nog gemakkelijk met de hand kunnen worden bewogen.
  3. Breng het handvat volledig omlaag en vergrendel het handvat in de onderste positie met behulp van de aanslagpen.
  4. Draai de vingerschroef op de arm los waarmee het schuiven van de slede is vergrendeld.
- Trek de slede helemaal naar u toe.
- **Fig.11:** 1. Vleugerschroef 2. Arm
5. Stel de positie van de zaagsnedeplaten af zodat deze dicht bij de zijkanten van de zaagbladtanden liggen.
- **Fig.12**

► **Fig.13:** 1. Cirkelzaagblad 2. Zaagbladtanden 3. Zaagsnedeplaat 4. Linkse schuine snede 5. Rechte snede

6. Trek de voorste schroeven aan (niet te hard aantrekken).

7. Schuif de slede naar de positie tussen de voorkant van de zaagsnedeplaten en de geleiders. Stel de positie van de zaagsnedeplaten af zodat deze dicht bij de zijkanten van de zaagbladtanden liggen.

8. Trek de middelste schroeven aan (niet te hard aantrekken).

9. Duw de slede zo ver mogelijk naar de geleiders en stel daarna de positie van de zaagsnedeplaten zodanig af dat deze dicht bij de zijkanten van de zaagbladtanden liggen.

10. Trek de achterste schroeven aan (niet te hard aantrekken).

11. Ontgrendel de aanslagpen voor het vergrendelen van het handvat en breng het handvat omhoog. Draai vervolgens alle schroeven stevig vast.

**KENNISGEVING:** Zorg na het instellen van de schuine hoek ervoor dat de zaagsnedeplaten goed worden afgesteld. Een juiste afstelling van de zaagsnedeplaten bevordert een goede ondersteuning van het werkstuk en minimaliseert het splinteren van het werkstuk.

## Een maximale zaagdiepte behouden

Dit gereedschap is in de fabriek afgesteld om de maximale zaagdiepte te leveren met een cirkelzaagblad met een diameter van 216 mm.

Controleer bij het aanbrengen van een nieuw cirkelzaagblad altijd de onderste stand van het cirkelzaagblad en stel deze zo nodig als volgt af:

1. Trek de stekker van het gereedschap uit het stopcontact. Duw daarna de slede zo ver mogelijk naar de geleider en breng het handvat volledig omlaag.

2. Draai met behulp van de inbussleutel (het schroevendraaier-uiteinde) de stelbout tot het cirkelzaagblad iets lager komt dan het kruispunt van de geleider en het bovenoppervlak van het draaibaar voetstuk.

► Fig.14: 1. Stelbout 2. Geleider

► Fig.15

3. Houd het handvat helemaal omlaag gedrukt en draai het cirkelzaagblad met de hand rond om u ervan te verzekeren dat het cirkelzaagblad geen enkel onderdeel van het voetstuk raakt. Stel zo nodig de maximale zaagdiepte opnieuw af.

**WAARSCHUWING:** Na het aanbrengen van een nieuw cirkelzaagblad controleert u, terwijl de stekker van het gereedschap uit het stopcontact is getrokken, altijd of het cirkelzaagblad geen enkel onderdeel van het voetstuk raakt wanneer het handvat zo ver mogelijk omlaag wordt gedrukt. Als het cirkelzaagblad het voetstuk raakt, kan dit een terugslag veroorzaken en leiden tot ernstig persoonlijk letsel.

► Fig.16

## Aanslagarm

Met de stelschroef kunt u de laagste positie van het zaagblad gemakkelijk instellen. Om de laagste positie van het zaagblad in te stellen, draait u de stelschroef voor de aanslagarm in de richting van de pijl, zoals aangegeven in de afbeelding. Draai de stelschroef zodanig dat het zaagblad stopt in de gewenste stand wanneer het handvat helemaal omlaag wordt gebracht.

► Fig.17: 1. Aanslagarm 2. Stelschroef

## Afstellen van de verstekhoek

**LET OP:** Na het wijzigen van de verstekhoek, dient u het draaibaar voetstuk altijd vast te zetten door de handgreep stevig vast te draaien.

**KENNISGEVING:** Voor het verdraaien van het draaibaar voetstuk dient u het handvat volledig omhoog te brengen.

Draai de handgreep linksom los om het draaibaar voetstuk te ontgrendelen. Verschuif de handgreep terwijl u de vergrendelhendel omhoog gedrukt houdt om het draaibaar voetstuk te draaien. Lijn de wijzer uit met uw gewenste hoek op de verstekhoekschaal en draai daarna de handgreep vast.

► Fig.18: 1. Vergrendelhendel 2. Handgreep 3. Wijzer

## Klikstopfunctie

Deze verstekzaag heeft een klikstopfunctie. U kunt snel een linker/rechter verstekhoek van 0°, 15°, 22,5°, 31,6° en 45° instellen. Om deze functie te gebruiken, houdt u de vergrendelhendel omhoog gedrukt en draait u het draaibaar voetstuk tot vlakbij de klikstop van de gewenste hoek. Laat daarna de vergrendelhendel los en verschuif het draaibaar voetstuk naar de klikstop van de gewenste hoek tot het draaibaar voetstuk wordt vergrendeld.

## Afstellen van de schuine hoek

**LET OP:** Na het wijzigen van de schuine hoek, dient u altijd de arm vast te zetten door de hendel rechtsom vast te draaien.

**KENNISGEVING:** Verwijder altijd de verticale spanschroef voordat u de schuine hoek instelt.

**KENNISGEVING:** Wanneer u het cirkelzaagblad gaat kantelen, verzekert u zich ervan dat de slede helemaal omhoog staat.

**KENNISGEVING:** Wanneer u de schuine hoek wijzigt, dient u de zaagsnedeplaten in de juiste positie te zetten zoals beschreven in het tekstdeel over het afstellen van de zaagsnedeplaten.

**KENNISGEVING:** Draai de hendel niet te strak aan. Als u dat doet, kan een storing ontstaan in het vergrendelingsmechanisme voor de schuine hoek.

## Het cirkelzaagblad 0° - 45° naar links kantelen

1. Draai de hendel linksom.

2. Houd het handvat vast en kantel de slede naar links.

3. Lijn de wijzer uit met uw gewenste hoek op de schuine-hoekschaal.

4. Draai de hendel rechtsom vast om de arm te vergrendelen.

► Fig.19: 1. Hendel 2. Handvat 3. Wijzer  
4. Schuine-hoekschaal

## Het cirkelzaagblad verder kantelen dan 0° - 45° naar links

1. Draai de hendel linksom.
2. Houd het handvat vast en stel de slede in op 0° voor 2° naar rechts, of op 45° voor 47° naar links.
3. Kantel de slede iets naar de tegenovergestelde kant.
4. Druk de ontgrendelknop in.
5. Kantel de slede naar de gewenste positie buiten het bereik van 0° - 45°.
6. Draai de hendel rechtsom vast om de arm te vergrendelen.

### De slede 2° naar rechts kantelen

- Fig.20: 1. Hendel 2. Handvat 3. Ontgrendelknop

### De slede 47° naar links kantelen

- Fig.21: 1. Hendel 2. Handvat 3. Ontgrendelknop

## Werking van de schakelaar

**WAARSCHUWING:** Controleer altijd, voordat u de stekker van het gereedschap in het stopcontact steekt, of de trekkerschakelaar op de juiste manier schakelt en weer terugkeert naar de uit-stand nadat deze is losgelaten. Druk de trekkerschakelaar niet hard in zonder dat de uit-vergrendelknop is ingedrukt. Hierdoor kan de schakelaar kapot gaan. Het gereedschap gebruiken zonder dat de schakelaar goed werkt, kan leiden tot verlies van controle en ernstig persoonlijk letsel.

**WAARSCHUWING:** Gebruik het gereedschap NOOIT met een defecte trekkerschakelaar. Ieder gereedschap met een defecte trekkerschakelaar is UITERST GEVAARLIJK en moet worden gerepareerd voordat het gereedschap wordt gebruikt of ernstig persoonlijk letsel wordt veroorzaakt.

**WAARSCHUWING:** U mag NOOIT de uit-vergrendelknop buiten werking stellen door hem met tape vast te zetten of iets dergelijks. Een schakelaar met een buiten werking gestelde uit-vergrendelknop, kan leiden tot onbedoeld inschakelen en ernstig persoonlijk letsel.

**WAARSCHUWING:** Gebruik het gereedschap NOOIT als het start door alleen maar de trekkerschakelaar in te knijpen zonder de uit-vergrendelknop in te drukken. Een schakelaar die moet worden gerepareerd, kan leiden tot onbedoeld inschakelen en ernstig persoonlijk letsel. Stuur het gereedschap op naar een Makita-servicecentrum voor reparatie ZONDER het verder te gebruiken.

Een uit-vergrendelknop is aanwezig om te voorkomen dat de trekkerschakelaar per ongeluk wordt ingedrukt. Om het gereedschap te starten, drukt u de uit-vergrendelknop in en drukt u vervolgens de trekkerschakelaar in. Laat de trekkerschakelaar los om het gereedschap te stoppen. In de trekkerschakelaar is een gat aangebracht waar een hangslot door past om het gereedschap af te sluiten.

- Fig.22: 1. Trekkerschakelaar 2. Uit-vergrendelknop 3. Gat voor hangslot

**WAARSCHUWING:** Gebruik geen slot met een beugel of kabel met een diameter kleiner dan 6,35 mm. Met een dünnere beugel of kabel wordt het gereedschap mogelijk niet goed in de uit-stand vergrendeld, waardoor onbedoelde bediening kan plaatsvinden die kan leiden tot ernstig persoonlijk letsel.

## Een zaaglijn weergeven

**WAARSCHUWING:** De lamp is niet waterdicht. Was de lamp niet met water en gebruik het gereedschap niet in de regen of op een vochtige plaats. Als u dat toch doet, kunnen elektrische schokken en rook ontstaan.

**WAARSCHUWING:** Raak de lens van de lamp niet aan aangezien deze zeer heet is wanneer de lamp brandt en kort na het uitschakelen. Dit kan brandwonden veroorzaken.

**WAARSCHUWING:** Stoot niet tegen de lamp omdat deze hierdoor kan worden beschadigd of de levensduur ervan kan worden verkort.

**WAARSCHUWING:** Kijk niet direct in het lamplicht of in de lichtbron.

De LED-lamp werpt een lichtbundel over het cirkelzaagblad en de schaduw van het zaagblad valt op het werkstuk en dient als een kalibratie-vrije zaaglijn-aanduiding. Druk op de lampschakelaar om een lichtbundel te werpen. Een schaduwlijn wordt geworpen waar het zaagblad het oppervlak van het werkstuk zal raken, en deze wordt donkerder naar mate het zaagblad omlaag komt.

- Fig.23: 1. Lampschakelaar 2. Lamp 3. Zaaglijn

De aanduiding helpt bij het doorzagen over een bestaande zaaglijn die op het werkstuk is getekend.

1. Houd het handvat vast en breng het cirkelzaagblad omlaag zodat een donkere schaduw van het zaagblad wordt weergegeven op het werkstuk.
2. Lijn de zaaglijn die op het werkstuk is getekend uit met de schaduwlijn van het zaagblad.
3. Stel de verstekhoek en schuine hoek zo nodig af.

**OPMERKING:** Vergeet niet om na gebruik de lampschakelaar uit te zetten. Anders blijft de lamp branden.

## MONTAGE

**WAARSCHUWING:** Zorg ervoor dat het gereedschap is uitgeschakeld en de stekker uit het stopcontact is getrokken voordat u werkzaamheden uitvoert aan het gereedschap. Als u het gereedschap niet uitschakelt en de stekker niet uit het stopcontact trekt, kan dat leiden tot ernstig persoonlijk letsel.

## Opbergen van de inbussleutel

Wanneer u de inbussleutel niet gebruikt, bergt u deze op de plaats aangegeven in de afbeelding op, om te voorkomen dat deze wordt verloren.

- Fig.24: 1. Inbussleutel

## Het cirkelzaagblad aanbrengen en verwijderen

**⚠ WAARSCHUWING:** Verzeker u er altijd van dat het gereedschap is uitgeschakeld en de stekker uit het stopcontact is getrokken alvorens het cirkelzaagblad te verwijderen of aan te brengen.

Als het gereedschap per ongeluk start, kan dat leiden tot ernstig persoonlijk letsel.

**⚠ WAARSCHUWING:** Gebruik voor het verwijderen of aanbrengen van het cirkelzaagblad uitsluitend de bijgeleverde Makita-sleutel. Als deze sleutel niet wordt gebruikt, kan de inbusbout te strak of onvoldoende strak worden vastgezet met ernstig persoonlijk letsel tot gevolg.

**⚠ WAARSCHUWING:** Gebruik of vervang nooit onderdelen die niet bij dit gereedschap werden geleverd. Het gebruik van dergelijke onderdelen kan leiden tot ernstig persoonlijk letsel.

**⚠ WAARSCHUWING:** Nadat het cirkelzaagblad is aangebracht, verzekert u zich er altijd van dat het stevig is bevestigd. Een losse bevestiging van het cirkelzaagblad kan leiden tot ernstig persoonlijk letsel.

## Gemeenschappelijke voorbereidingen voor het aanbrengen en verwijderen van het cirkelzaagblad

1. Ontgrendel de slede door aan de aanslagpen te trekken en breng de slede omhoog tot in de hoogste positie.
2. Draai met behulp van de inbussleutel de inbusbout los waarmee de middenkap is bevestigd. Breng daarna de beschermkap en de middenkap omhoog.  
► **Fig.25:** 1. Inbussleutel 2. Inbusbout 3. Middenkap 4. Beschermkap

## Het cirkelzaagblad aanbrengen

**⚠ LET OP:** Zorg ervoor dat u het cirkelzaagblad zodanig aanbrengt dat de richting van de pijl op het cirkelzaagblad overeenkomt met die op het zaagbladhuis. Als u dat niet doet, kan dat leiden tot persoonlijk letsel en schade aan het gereedschap en/of het werkstuk.

1. Voer de stappen uit van "Gemeenschappelijke voorbereidingen voor het aanbrengen en verwijderen van het cirkelzaagblad".
2. Druk de asblokkering in om de as te vergrendelen en draai met de inbussleutel de inbusbout rechtsom los. Verwijder daarna de inbusbout, de buitenflens en het cirkelzaagblad.  
► **Fig.26:** 1. Inbusbout (linkse schroefdraad) 2. Buitenflens 3. Asblokkering
3. Breng het cirkelzaagblad zorgvuldig aan op de binnenflens. Zorg ervoor dat de richting van de pijl op het cirkelzaagblad overeenkomt met de richting van de pijl op het zaagbladhuis.  
► **Fig.27:** 1. Pijl

4. Breng de buitenflens en inbusbout aan. Draai de inbusbout (linkse schroefdraad) met behulp van de inbussleutel linksom stevig vast terwijl u de asblokkering ingedrukt houdt.

► **Fig.28:** 1. Inbusbout (linkse schroefdraad) 2. Buitenflens 3. Cirkelzaagblad 4. Ring 5. Binnenflens 6. As

► **Fig.29:** 1. Inbusbout (linkse schroefdraad) 2. Buitenflens 3. Asblokkering

5. Breng de beschermkap en de middenkap terug naar hun oorspronkelijke positie. Draai daarna de inbusbout van de middenkap vast om hem te bevestigen.

Breng de slede omlaag en controleer of de beschermkap goed beweegt.

► **Fig.30:** 1. Inbussleutel 2. Inbusbout 3. Middenkap 4. Beschermkap

## Het cirkelzaagblad verwijderen

1. Voer de stappen uit van "Gemeenschappelijke voorbereidingen voor het aanbrengen en verwijderen van het cirkelzaagblad".

2. Druk de asblokkering in om de as te vergrendelen. Draai met behulp van de inbussleutel de inbusbout rechtsom los. Verwijder daarna de inbusbout, de buitenflens en het cirkelzaagblad.

► **Fig.31:** 1. Inbusbout (linkse schroefdraad) 2. Buitenflens 3. Asblokkering

3. Als de binnenflens verwijderd is, brengt u deze aan op de as met het zaagblad-bevestigingsdeel naar het cirkelzaagblad gericht. Als de flens verkeerd wordt aangebracht, zal de flens tegen het gereedschap aanlopen.

► **Fig.32:** 1. Inbusbout (linkse schroefdraad) 2. Buitenflens 3. Cirkelzaagblad 4. Ring 5. Binnenflens 6. As

**KENNISGEVING:** Wees voorzichtig dat u de verwijderde buitenflens en inbusbout niet verliest.

## Een stofzuiger aansluiten

Wanneer u schoon wilt werken, sluit u een Makita-stofzuiger aan.

**KENNISGEVING:** Afhankelijk van het gebruikte type stofzuiger en slang, kan de stofafzuigmond worden geblokkeerd door de stofbescherming, waardoor het onmogelijk is om stof af te zuigen. Verlaag in dat geval de zuigkracht van de stofzuiger.

► **Fig.33:** 1. Stofbescherming

## Stofzak

**⚠ LET OP:** Bij het zagen bevestigt u altijd de stofzak of sluit u een stofzuiger aan om gevaar door stof te voorkomen.

Door de stofzak te gebruiken werkt u schoon en kan het zaagsel eenvoudig worden opgeruimd. Om de stofzak aan te brengen, sluit u de stofzak aan op de stofafzuigaansluitmond.

► **Fig.34:** 1. Stofzak 2. Stofafzuigaansluitmond

Wanneer de stofzak ongeveer halfvol is, maakt u hem los van het gereedschap en trekt u de sluitstrip eruit. Maak de stofzak leeg en tik er zachtjes op voor het verwijderen van achtergebleven stofdeeltjes die verdere stofopvangning zouden kunnen belemmeren.

► **Fig.35:** 1. Sluitstrip

## Werkstuk vastklemmen

**⚠ WAARSCHUWING:** Het is uiterst belangrijk om het werkstuk altijd goed vast te klemmen in het juiste type spanschroef. Als u dat niet doet, kan dat leiden tot ernstig persoonlijk letsel en schade aan het gereedschap en/of het werkstuk.

**⚠ WAARSCHUWING:** Nadat u klaar bent met zagen, mag u het zaagblad pas omhoog brengen nadat het volledig tot stilstand is gekomen. Als u het handvat omhoog brengt terwijl het zaagblad nog ronddraait, kan dat leiden tot ernstig persoonlijk letsel en schade aan het werkstuk.

**⚠ WAARSCHUWING:** Wanneer u een werkstuk zaagt dat langer is dan het voetstuk van de verstekzaag, moet het werkstuk worden ondersteund over zijn volledige lengte buiten het voetstuk, en op dezelfde hoogte zodat het werkstuk horizontaal blijft. Een goede ondersteuning van het werkstuk helpt voorkomen dat het zaagblad vastloopt en een mogelijke terugslag optreedt die kan leiden tot ernstig persoonlijk letsel. Vertrouw niet alleen op de verticale spanschroef om het werkstuk op zijn plaats te houden. Dun materiaal hangt gemakkelijk door. Ondersteun het werkstuk over zijn hele lengte om vastklemmen van het zaagblad en mogelijke TERUGSLAG te voorkomen.

► Fig.36: 1. Steun 2. Draaibaar voetstuk

## Geleiders

**⚠ WAARSCHUWING:** Voordat u het gereedschap bedient, verzekert u zich ervan dat de schuifgeleider stevig is vastgezet met behulp van de klemschroef.

**⚠ WAARSCHUWING:** Controleer voor het zagen van een schuine hoek of geen enkel onderdeel van het gereedschap, vooral het cirkelzaagblad, de geleiders raakt wanneer het handvat in elke positie volledig omlaag en omhoog wordt gebracht en de slede over het hele bereik wordt verschoven. Als het gereedschap of het cirkelzaagblad de geleider raakt, kan terugslag of een onverwachte beweging van het werkstuk worden veroorzaakt met ernstig persoonlijk letsel tot gevolg.

Dit gereedschap is voorzien van een schuifgeleider. Voor het maken van een linker schuine zaagsnede, draait u de klemschroef los en verschuift u de schuifgeleider zodat deze de beweging van de slede niet hindert. Zet de schuifgeleider vast door de klemschroef vast te draaien.

► Fig.37: 1. Schuifgeleider 2. Geleider 3. Klemschroef

## Verticale spanschroef

**⚠ WAARSCHUWING:** Tijdens alle bedieningen moet het werkstuk door de spanschroef stevig tegen het draaibaar voetstuk en de geleider worden gedrukt. Als het werkstuk niet goed wordt vastgezet tegen de geleider, kan het tijdens het zagen bewegen en zo het zaagblad beschadigen, waardoor materiaal kan worden weggeslingerd en u de controle over het gereedschap kunt verliezen met ernstig persoonlijk letsel als gevolg.

De verticale spanschroef kan worden aangebracht in de gaten aan de linkerkant van het voetstuk, de rechterkant van het voetstuk of de linkerkant van het hulpvoetstuk.

Druk het werkstuk vlak tegen de geleider en het draaibaar voetstuk. Plaats het werkstuk in de gewenste zaagpositie en zet het stevig vast door de spanschroefknop vast te draaien.

Controleer of geen enkel deel van het gereedschap in aanraking komt met de verticale spanschroef wanneer het handvat helemaal omlaag wordt gebracht. Als enig onderdeel de verticale spanschroef raakt, verplaatst u de spanschroef.

► Fig.38: 1. Gat 2. Spanschroefknop

## Hulpvoetstuk

**⚠ WAARSCHUWING:** Ondersteun een lang werkstuk altijd zodanig dat het horizontaal ligt met de draaibaar voetstuk om een nauwkeurige zaagsnede te verkrijgen en om gevaarlijk verlies van controle over het gereedschap te voorkomen. Een goede ondersteuning van het werkstuk helpt voorkomen dat het zaagblad vastloopt en een mogelijke terugslag optreedt die kan leiden tot ernstig persoonlijk letsel.

**⚠ WAARSCHUWING:** Verzeker u er vóór het zagen van dat de hulpvoetstukken zijn vastgezet met de vingerschroeven.

Om lange werkstukken horizontaal te houden, zijn hulpvoetstukken aangebracht op beide zijanten van het gereedschap. Draai de vingerschroeven los en schuif de hulpvoetstukken uit tot een lengte die geschikt is voor het ondersteunen van het werkstuk. Draai vervolgens vingerschroeven vast.

► Fig.39: 1. Hulpvoetstuk 2. Vingerschroef

Plaats tijdens het zagen het werkstuk vlak tegen de geleiders.

► Fig.40: 1. Geleider 2. Hulpvoetstuk

# BEDIENING

Dit gereedschap is bedoeld voor het zagen van hout-producten. Met geschikte, originele Makita-zaagbladen kunnen ook de volgende materialen worden gezaagd:

— Aluminiumproducten

Raadpleeg onze website of neem contact op met uw plaatselijke Makita-dealer voor de correcte cirkelzaagbladen die moeten worden gebruikt voor het te zagen materiaal.

**⚠WAARSCHUWING:** Zorg ervoor dat het zaagblad niet het werkstuk, e.d. raakt voordat u de schakelaar inknijpt. Wanneer u het gereedschap inschakelt terwijl het zaagblad reeds het werkstuk aanraakt, kan dat leiden tot een terugslag en ernstig persoonlijk letsel.

**⚠WAARSCHUWING:** Nadat u klaar bent met zagen, mag u het zaagblad pas omhoog brengen nadat het volledig tot stilstand is gekomen. Als u het handvat omhoog brengt terwijl het zaagblad nog ronddraait, kan dat leiden tot ernstig persoonlijk letsel en schade aan het werkstuk.

**⚠WAARSCHUWING:** Voer geen afstellingen op het gereedschap uit, zoals het draaien van de handgreep, knop en hendels, terwijl het zaagblad draait. Afstellen terwijl het zaagblad draait, kan leiden tot ernstig persoonlijk letsel.

**⚠LET OP:** Laat de zaagkop niet ongecontroleerd los vanuit de laagste stand. De ongecontroleerde zaagkop kan tegen u aan komen waardoor persoonlijk letsel zal ontstaan.

**KENNISGEVING:** Vergeet niet vóór gebruik de aanslagpen naar buiten te trekken op het handvat uit de onderste stand te ontgrendelen.

**KENNISGEVING:** Oefen tijdens het zagen geen overmatige druk op het handvat uit. Wanneer u te hard drukt, kan de motor overbelast raken en/of de zaagefficiëntie afnemen. Druk alleen zo hard als nodig is voor soepel zagen zonder dat het toerental van het zaagblad aanzienlijk vermindert.

**KENNISGEVING:** Druk het handvat zachtjes naar beneden om te zagen. Als u het handvat met kracht omlaag drukt of zijwaartse druk erop uitoefent, kan het zaagblad gaan trillen en een vlek (brandplek) op het werkstuk achterlaten, en kan ook de zaagsnede minder nauwkeurig zijn.

**KENNISGEVING:** Voor schuivend zagen duwt u de zaagslede langzaam en zonder te stoppen naar de geleider. Als de beweging van de slede tijdens het zagen wordt gestopt, zal een vlek op het werkstuk ontstaan en zal de zaagsnede minder nauwkeurig zijn.

# Rechtzagen

**⚠WAARSCHUWING:** Vergrendel altijd de schuifbeweging van de slede wanneer rechtzagen wordt uitgevoerd. Door te zagen zonder vergrendeling kan een terugslag worden veroorzaakt, wat kan leiden tot ernstig persoonlijk letsel.

Werkstukken tot 65 mm hoog en 80 mm breed kunnen op de volgende manier worden gezaagd:

1. Duw de slede helemaal naar de geleider en vergrendel hem met behulp van de vingerschroeven.
  2. Klem het werkstuk vast met het juiste type spanschroef.
  3. Schakel het gereedschap in zonder dat het cirkelzaagblad het werkstuk raakt en wacht totdat het cirkelzaagblad op maximaal toerental draait voordat u het omlaag brengt.
  4. Breng het handvat langzaam omlaag naar de laagste positie om het werkstuk te zagen.
  5. Nadat de zaagsnede klaar is, schakelt u het gereedschap uit en wacht u tot het cirkelzaagblad volledig tot stilstand is gekomen voordat u het cirkelzaagblad omhoog brengt tot in de hoogste positie.
- Fig.41: 1. Vingerschroef

# Schuivend (duwend) zagen (zagen van brede werkstukken)

**⚠WAARSCHUWING:** Bij het schuivend zagen, trekt u eerst de slede helemaal naar u toe en brengt u het handvat helemaal omlaag, waarna u de slede helemaal naar de geleider duwt. Begin nooit met zagen zonder de slede helemaal naar u toe te trekken. Als u schuivend zaagt zonder dat de slede helemaal naar u toe is getrokken, kan een onverwachte terugslag optreden die kan leiden tot ernstig persoonlijk letsel.

**⚠WAARSCHUWING:** Probeer nooit schuivend te zagen terwijl u de slede naar u toe trekt. Door de slede zegend naar u toe te trekken, kan een onverwachte terugslag optreden die kan leiden tot ernstig persoonlijk letsel.

**⚠WAARSCHUWING:** Schuivend zagen mag nooit worden uitgevoerd terwijl het handvat in de laagste positie is vergrendeld.

1. Draai de vingerschroef los zodat de slede vrij kan schuiven.
  2. Klem het werkstuk vast met het juiste type spanschroef.
  3. Trek de slede helemaal naar u toe.
  4. Schakel het gereedschap in zonder dat het cirkelzaagblad het werkstuk raakt en wacht totdat het zaagblad op maximaal toerental draait.
  5. Duw het handvat omlaag en duw de slede zo ver mogelijk naar de geleider en door het werkstuk.
  6. Nadat de zaagsnede klaar is, schakelt u het gereedschap uit en wacht u tot het zaagblad volledig tot stilstand is gekomen voordat u het zaagblad omhoog brengt tot in de hoogste positie.
- Fig.42: 1. Vingerschroef



## Verstekzagen

Raadpleeg het tekstdeel over het afstellen van de verstekhoek.

## Schuin zagen

**⚠️ WAARSCHUWING:** Nadat het zaagblad is ingesteld op een schuine zaagsnede, controleert u of de slede en het zaagblad vrij kunnen bewegen over de hele lengte van de te maken zaagsnede voordat u het gereedschap bedient. Wanneer de beweging van de slede of het zaagblad tijdens het zagen wordt onderbroken, kan een terugslag worden veroorzaakt die kan leiden tot ernstig persoonlijk letsel.

**⚠️ WAARSCHUWING:** Houd bij het maken van een schuine zaagsnede uw handen uit de buurt van het pad van het zaagblad. De hoek van het zaagblad kan verwarrend werken op de gebruiker met betrekking tot het werkelijke zaagpad dat tijdens het zagen beschreven wordt, en aanraking van het zaagblad zal leiden tot ernstig persoonlijk letsel.

**⚠️ WAARSCHUWING:** Het zaagblad mag niet omhoog gebracht worden voordat het volledig tot stilstand is gekomen. Tijdens het maken van een schuine zaagsnede kan het afgezaagde deel van het werkstuk tegen het zaagblad aan liggen. Als het zaagblad omhoog wordt gebracht terwijl het nog ronddraait, kan het afgezaagde deel door het zaagblad weggeslingerd worden waardoor het uiteenvalt en ernstig persoonlijk letsel kan veroorzaken.

**KENNISGEVING:** Wanneer u het handvat omlaag drukt, dient u druk uit te oefenen evenwijdig met het zaagblad. Indien u verticale druk op het draaibaar voetstuk uitoefent of de drukrichting tijdens het zagen verandert, zal de zaagsnede minder nauwkeurig zijn.

1. Stel de schuifgeleider aan de linkerkant zo in dat de slede hem niet raakt.
2. Ontgrendel de aanslagpen en draai de vingerschroef op de arm los zodat de slede omhoog kan worden gebracht en vrij kan schuiven.
3. Stel de schuine hoek af aan de hand van de procedure beschreven in het tekstdeel over het afstellen van de schuine hoek. Draai daarna de handgreep vast.
4. Zet het werkstuk vast met een spanschroef.
5. Trek de slede helemaal naar u toe.
6. Schakel het gereedschap in zonder dat het cirkelzaagblad het werkstuk raakt en wacht totdat het cirkelzaagblad op maximaal toerental draait.
7. Breng vervolgens het handvat langzaam omlaag naar de laagste positie terwijl u druk uitoefent parallel aan het cirkelzaagblad en **duw de slede zo ver mogelijk naar de geleider om het werkstuk te zagen.**
8. Nadat de zaagsnede klaar is, schakelt u het gereedschap uit en **wacht u tot het cirkelzaagblad volledig tot stilstand is gekomen** voordat u het zaagblad omhoog brengt tot in de hoogste positie.

► Fig.43

## Gecombineerd zagen

Gecombineerd zagen betekent dat het werkstuk tegelijk met een schuine hoek en een verstekhoek wordt gezaagd. Gecombineerd zagen is mogelijk voor de hoeken aangegeven in de onderstaande tabel.

Verstekhoek	Schuine hoek
Links en rechts 0° - 45°	Links 0° - 45°

Voor het uitvoeren van gecombineerd zagen, raadpleegt u het tekstdeel over rechtzagen, schuivend (duwend) zagen, verstekzagen en schuine zaagsnede.

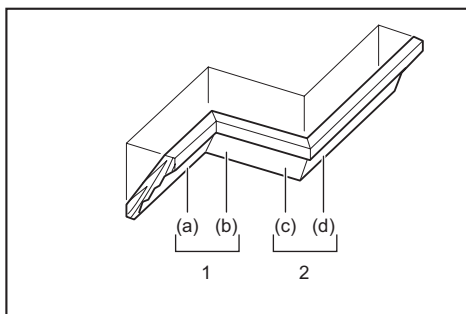
## Kroon-profiellijsten en kwarthol-profiellijsten zagen

Kroon-profiellijsten en kwarthol-profiellijsten kunnen worden gezaagd op een gecombineerd-verstekzaag waarbij de sierlijsten plat op het draaibaar voetstuk liggen.

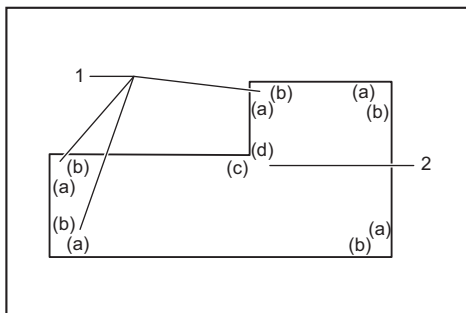
Er zijn twee veelvoorkomende typen kroon-profiellijsten en één veelvoorkomend type kwarthol-profiellijsten: kroon-profiellijsten met een wandhoek van 52/38°, kroon-profiellijsten met een wandhoek van 45°, en kwarthol-profiellijsten met een wandhoek van 45°.

► Fig.44: 1. Kroon-profiellijst met een wandhoek van 52/38° 2. Kroon-profiellijst met een wandhoek van 45° 3. Kwarthol-profiellijst met een wandhoek van 45°

Er zijn verbindingen van kroon-profiellijsten en van kwarthol-profiellijsten die passen in binnenhoeken van 90° (zie (a) en (b) in de afb.), en om buitenboeken van 90° (zie (c) en (d) in de afb.).



1. Binnenhoek 2. Buitenhoek



1. Binnenhoek 2. Buitenhoek



## Opmeten

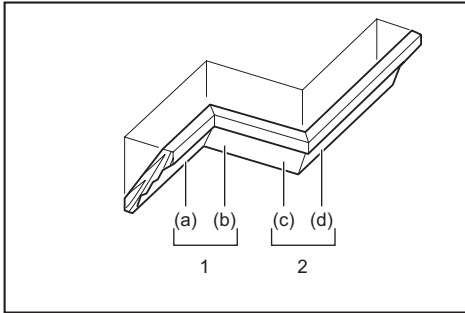
Meet de breedte van de wand, en pas de breedte van het werkstuk daarop aan. Zorg er altijd voor dat de breedte van het raakvlak met de wand van het werkstuk hetzelfde is als de breedte van de wand.

- **Fig.45:** 1. Werkstuk 2. Breedte van de wand  
3. Breedte van het werkstuk 4. Raakvlak met de wand

Gebruik altijd meerdere proefwerkstukken om de benodigde zaaghoek te controleren.

Bij het zagen van kroon-profiellijsten en kwarthol-profiellijsten stelt u de verstekhoek en schuine hoek in, zoals aangegeven in tabel (A), en legt u de sierlijst op het bovenoppervlak van het draaibaar voetstuk, zoals aangegeven in tabel (B).

## Voor een linker schuine zaagsnede



1. Binnenhoek 2. Buitenhoek

Tabel (A)

–	Gedeelte van de profiellijst in de afbeelding	Schuine hoek		Verstekhoek	
		Hoek 52/38°	Hoek 45°	Hoek 52/38°	Hoek 45°
Binnenhoek	(a)	Links 33,9°	Links 30°	Rechts 31,6°	Rechts 35,3°
	(b)			Links 31,6°	Links 35,3°
Buitenhoek	(c)			Rechts 31,6°	Rechts 35,3°
	(d)			Rechts 31,6°	Rechts 35,3°

Tabel (B)

–	Gedeelte van de profiellijst in de afbeelding	Kant van de sierlijst die tegen de geleider moet liggen	Afgewerkt werkstuk
Binnenhoek	(a)	Kant die tegen het plafond komt moet tegen de geleider liggen.	Het afgewerkte werkstuk ligt aan de linkerkant van het cirkelzaagblad.
	(b)	Kant die tegen de wand komt moet tegen de geleider liggen.	
Buitenhoek	(c)	Kant die tegen het plafond komt moet tegen de geleider liggen.	Het afgewerkte werkstuk ligt aan de rechterkant van het cirkelzaagblad.
	(d)	Kant die tegen de wand komt moet tegen de geleider liggen.	

Voorbeeld:

In het geval u een kroon-profiellijst zaagt van het type 52/38° voor gedeelte (a) in de bovenstaande afbeelding:

- Kantel de zaag naar de stand voor een schuine hoek van 33,9° LINKS.
- Stel een verstekhoek in van 31,6° RECHTS.
- Leg de kroon-profiellijst op het gereedschap met de achterkant (verborgen) naar onderen gericht om het draaibaar voetstuk en de KANT DIE TEGEN HET PLAFOND KOMT tegen de geleider.
- Het afgewerkte werkstuk dat u gaat gebruiken ligt altijd LINKS van het cirkelzaagblad nadat het zagen klaar is.

## Aluminiumprofielen zagen

Als u een aluminiumprofiel wilt vastklemmen in de spanschroef, maakt u gebruik van vulblokken of stukken afvalhout, zoals aangegeven in de afbeelding, om te voorkomen dat het aluminiumprofiel vervormt. Gebruik snijolie als smeermiddel bij het zagen van een aluminiumprofiel om te voorkomen dat aluminiumslijpsel zich op het cirkelzaagblad ophoopt.

**WAARSCHUWING:** Probeer nooit dikke of ronde aluminiumprofielen te zagen. Dikke of ronde aluminiumprofielen zijn moeilijk vast te zetten en kunnen tijdens het zagen loskomen, waardoor u de controle over het gereedschap kunt verliezen en ernstig persoonlijk letsel kan worden veroorzaakt.

- **Fig.46:** 1. Spanschroef 2. Vulblok 3. Geleider  
4. Aluminiumprofiel 5. Vulblok

## Steeds dezelfde lengte afzagen

Als u meerdere werkstukken op dezelfde lengte wilt afzagen, van 225 mm tot 350 mm, zet u de aanzetplaat omhoog zoals aangegeven in de afbeelding.

Zet het werkstuk vast in de positie om te zagen. Stel het rechter hulpvoetstuk zodanig in dat de aanzetplaat tegen het uiteinde van het werkstuk ligt. Zet hem daarna het hulpvoetstuk vast met behulp van de vingerschroef.

- **Fig.47:** 1. Aanzetplaat 2. Vingerschroef

## Groeven zagen

**WAARSCHUWING:** Probeer niet dit type zaagsnede uit te voeren met een breder zaagblad of sokkelzaagblad. Als u probeert een groef te zagen met een breder zaagblad of een sokkelzaagblad, kan dat resulteren in een onverwacht zaagresultaat en een terugslag die kan leiden tot ernstig persoonlijk letsel.

**WAARSCHUWING:** Breng de aanslagarm terug naar zijn oorspronkelijke positie voor andere zaagbedieningen dan het zagen van groeven. Als u een zaagsnede probeert te zagen met de aanslagarm in de verkeerde positie, kan dat resulteren in een onverwacht zaagresultaat en een terugslag die kan leiden tot ernstig persoonlijk letsel.

U kunt als volgt een groef in een werkstuk zagen:

1. Stel de laagste positie van het cirkelzaagblad in met behulp van de stelschroef en de aanslagarm, om de zaagdiepte van het cirkelzaagblad te beperken. Raadpleeg het tekstdeel over de aanslagarm.
2. Nadat de laagste positie van het cirkelzaagblad is ingesteld, kunt u evenwijdige groeven over de breedte van het werkstuk zagen met behulp van schuivend (duwend) zagen.  
► **Fig.48:** 1. Groeven zagen met het zaagblad
3. Verwijder het werkstukmateriaal tussen de groeven met behulp van een beetel.

## Het gereedschap dragen

Verzeker u ervan dat de stekker van het gereedschap uit het stopcontact is getrokken en alle beweegbare delen van het gereedschap zijn vastgezet voordat u het gereedschap draagt. Controleer altijd het volgende punten:

- De stekker van het gereedschap moet uit het stopcontact getrokken zijn.
- De slede moet ingesteld en vastgezet zijn op een schuine hoek van 0°.
- De slede moet omlaag gebracht en vergrendeld zijn.
- De slede moet helemaal naar u toe getrokken en vergrendeld zijn.
- Het draaibare voetstuk moet in de stand voor maximale rechter verstekhoek staan en vergrendeld zijn.

Draag het gereedschap door de draaghandgreep en één zijkant van het voetstuk vast te houden, of door beide zijkanten van het voetstuk vast te houden.

► **Fig.49**

► **Fig.50**

**⚠WAARSCHUWING:** De aanslagen voor het omhoog brengen van de slede wordt alleen gebruikt voor het dragen, opbergen en afstellen van het gereedschap en niet tijdens het zagen.

Het gebruik van de aanslagen tijdens het zagen kan leiden tot onverwachte bewegingen van het cirkelzaagblad, wat kan leiden tot een terugslag en ernstig persoonlijk letsel.

**⚠LET OP:** Zet alle bewegende onderdelen vast alvorens het gereedschap te dragen. Als tijdens het dragen onderdelen van het gereedschap bewegen of verschuiven, kunt u uw balans of de controle over het gereedschap verliezen, wat kan leiden tot persoonlijk letsel.

**⚠LET OP:** Verzeker u ervan dat de slede goed wordt vergrendeld in de onderste stand door de aanslagen. Als de aanslagen niet correct is geplaatst, kan de slede plotseling omhoog springen en persoonlijk letsel veroorzaken.

## ONDERHOUD

**⚠WAARSCHUWING:** Zorg altijd dat het gereedschap is uitgeschakeld en de stekker uit het stopcontact is getrokken alvorens te beginnen met onderhoud of inspectie. Als het gereedschap niet wordt uitgeschakeld en de stekker niet uit het stopcontact wordt getrokken, kan het gereedschap per ongeluk worden ingeschakeld, waardoor ernstig persoonlijk letsel kan worden veroorzaakt.

**⚠WAARSCHUWING:** Zorg altijd dat het zaagblad scherp en schoon is om optimale en veilige prestaties te krijgen. Als u probeert te zagen met een bot en/of vuil zaagblad, kan een terugslag optreden die kan leiden tot ernstig persoonlijk letsel.

**KENNISGEVING:** Gebruik nooit benzine, wasbenzine, thinner, alcohol en dergelijke. Hierdoor kunnen verkleuring, vervormingen en barsten worden veroorzaakt.

Om de VEILIGHEID en BETROUWBAARHEID van het gereedschap te handhaven, dienen alle reparaties, onderhoud of afstellingen te worden uitgevoerd bij een erkend Makita-servicecentrum of de Makita-fabriek, en altijd met gebruik van Makita-vervangingsonderdelen.

## Afstellen van de zaaghoek

Dit gereedschap werd in de fabriek nauwkeurig afgesteld en uitgelijnd, maar door ruwe behandeling kan de uitlijning ervan verslechterd zijn. Doe het volgende indien uw gereedschap niet meer juist is uitgelijnd:

### Verstekhoek

1. Vergrendel de slede in de laagste positie met behulp van de aanslagen. Duw de slede naar de geleider toe en draai de vingerschroef vast om de slede vast te zetten.
2. Zet het draaibaar voetstuk in de stand 0° met behulp van de klikstopfunctie. (Laat het staan zoals het is, ook als de wijzer niet 0° aanwijst.)
3. Draai de inbusbouten waarmee de geleider is bevestigd los met behulp van de inbusleutel.  
► **Fig.51:** 1. Aanslagen 2. Vingerschroef 3. Inbusbouten
4. Zet de zijkant van het zaagblad haaks op de voorzijde van de geleider met behulp van een geodriehoek of winkelhaak. Draai daarna de inbusbouten van de geleider op volgorde vanaf de rechterkant stevig vast.  
► **Fig.52:** 1. Geleider 2. Geodriehoek
5. Indien de wijzer niet 0° aanwijst, draait u de schroef van de wijzer los en stelt u de wijzer juist in zodat hij 0° aanwijst.  
► **Fig.53:** 1. Schroef 2. Wijzer 3. Verstekhoekschaal

## Schuine hoek

### Schuine hoek van 0°

1. Vergrendel de slede in de laagste positie met behulp van de aanslagpen. Duw de slede naar de geleider toe en draai de vingerschroef vast om de slede vast te zetten.

2. Draai de hendel los. Draai vervolgens de stelbout voor 0° twee of drie slagen linksom om het cirkelzaagblad naar rechts te kantelen.

► **Fig.54:** 1. Hendel 2. Stelbout voor 0°

3. Zet met behulp van een geodriehoek, winkelhaak, enz., de zijkant van het zaagblad nauwkeurig haaks op het bovenoppervlak van het draaibaar voetstuk door de stelbout voor 0° rechtsom te draaien. Zet vervolgens de hendel stevig vast om de ingestelde hoek van 0° vast te zetten.

► **Fig.55:** 1. Geodriehoek 2. Zaagblad  
3. Bovenoppervlak van het draaibaar voetstuk

4. Indien de wijzer niet 0° aanwijst, draait u de schroef van de wijzer los en stelt u hem in zodat hij 0° aanwijst.

► **Fig.56:** 1. Schroef 2. Wijzer 3. Schuine-hoekschaal

### Schuine hoek van 45°

**KENNISGEVING:** Alvorens de schuine hoek van 45° af te stellen, voltooit u de afstelling van de schuine hoek van 0°.

1. Draai de vingerschroef vast om de slede vast te zetten.

2. Draai de hendel los. Kantel de slede vervolgens zo ver mogelijk naar links.

► **Fig.57:** 1. Vingerschroef 2. Hendel

3. Controleer of de wijzer de stand 45° op de schuine-hoekschaal aanwijst.

Als de wijzer niet de stand 45° aanwijst, lijnt u deze uit met de stand 45° door de stelbout voor 45° te draaien.

► **Fig.58:** 1. Stelbout voor 45°

## De koolborstels vervangen

Verwijder en controleer de koolborstels regelmatig. Vervang deze wanneer ze tot aan de slijtgrensmarkering zijn afgesleten. Houd de koolborstels schoon en zorg ervoor dat ze vrij kunnen bewegen in de houders. Beide koolborstels dienen tegelijkertijd te worden vervangen. Gebruik alleen identieke koolborstels.

► **Fig.59:** 1. Slijtgrensmarkering

Gebruik een schroevendraaier om de koolborsteldoppen te verwijderen. Haal de versleten koolborstels eruit, plaats de nieuwe erin, en zet de koolborsteldoppen goed vast.

► **Fig.60:** 1. Koolborsteldop

## Na het gebruik

Veeg na gebruik alle zaagsel en stof op het gereedschap eraf met een doek of iets dergelijks. Houd de beschermkap schoon volgens de instructies die in de paragraaf "Beschermkap" werden beschreven. Smeer de schuivende delen in met machineolie om roestvorming te voorkomen.

## OPTIONELE ACCESSOIRES

**⚠WAARSCHUWING:** Deze Makita-accessoires of hulpstukken worden aanbevolen voor gebruik met het Makita-gereedschap dat in deze gebruiksaanwijzing is beschreven. Het gebruik van enige andere accessoires of hulpstukken kan leiden tot ernstig persoonlijk letsel.

**⚠WAARSCHUWING:** Gebruik de Makita-accessoires of -hulpstukken uitsluitend voor de aangegeven gebruikdoeleinden. Misbruik van een accessoire of hulpstuk kan leiden tot ernstig persoonlijk letsel.

Wenst u meer bijzonderheden over deze accessoires, neem dan contact op met het plaatselijke Makita-servicecentrum.

- Stalen en hardmetalen zaagblad
- Verticale spanschroef
- Stofzak
- Geodriehoek
- Inbussleutel
- Standaard, set

**OPMERKING:** Sommige items op de lijst kunnen zijn inbegrepen in de doos van het gereedschap als standaard toebehoren. Deze kunnen van land tot land verschillen.

# ESPECIFICACIONES

<b>Modelo:</b>		<b>LS0816F</b>
Diámetro del disco		216 mm
Diámetro del agujero	Países de Europa	30 mm
	Países aparte de los de Europa	25,4 mm o 30 mm (específico para cada país)
Grosor máximo de la hendidura del disco		2,8 mm
Ángulo de inglete máximo		Izquierdo 47°, Derecho 47°
Ángulo de bisel máximo		Izquierdo 47°, Derecho 2°
Velocidad sin carga (RPM)		5.000 min <sup>-1</sup>
Dimensiones (La x An x Al)		476 mm x 705 mm x 521 mm
Peso neto		13,9 kg
Clase de seguridad		□/II







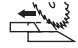
- Debido a nuestro continuado programa de investigación y desarrollo, las especificaciones aquí dadas están sujetas a cambios sin previo aviso.
- Las especificaciones pueden ser diferentes de país a país.
- Peso de acuerdo con el procedimiento EPTA 01/2014

## Capacidades de corte (Al x An) con disco de ø 216 mm

Ángulo de inglete	Ángulo de bisel		
	45° (izquierdo)	0°	2° (derecho)
0°	36 mm x 305 mm	65 mm x 305 mm	60 mm x 305 mm
45° (izquierdo y derecho)	36 mm x 215 mm	65 mm x 215 mm	-

## Símbolos

A continuación se muestran los símbolos que pueden ser utilizados para el equipo. Asegúrese de que entienda su significado antes de utilizar.

	Lea el manual de instrucciones.
	DOBLE AISLAMIENTO
	Póngase gafas de seguridad.
	Para evitar heridas causadas por restos que salen volando, mantenga bajado el cabezal de la sierra, después de hacer cortes, hasta que el disco se haya parado completamente.
	Cuando vaya a realizar un corte de deslizamiento, primero tire del carro completamente y presione hacia abajo la empuñadura, después empuje el carro hacia la guía lateral.
	No ponga la mano ni los dedos cerca del disco.
	Ajuste las guías deslizables debidamente de forma que no toquen el disco ni el protector de disco.



No se quede mirando a la lámpara de operación.



Sólo para países de la Unión Europea  
Debido a la presencia de componentes peligrosos en el equipo, el equipo eléctrico y electrónico desechado puede tener un impacto negativo para el medioambiente y la salud humana.

¡No tire los aparatos eléctricos y electrónicos junto con los residuos domésticos!  
De conformidad con las Directivas Europeas sobre residuos de aparatos eléctricos y electrónicos, y su adaptación a la ley nacional, el equipo eléctrico y electrónico desechado deberá ser recogido por separado y trasladado a un punto distinto de recogida de desechos municipales, que cumpla con los reglamentos de protección medioambiental.

Esto se indica mediante el símbolo de cubo de basura tachado colocado en el equipo.

## Uso previsto

La herramienta ha sido prevista para hacer cortes precisos rectos y de inglete en madera. Con los discos apropiados, también se puede serrar aluminio. Para más detalles, consulte la sección para OPERACIÓN.

## Alimentación

La herramienta deberá ser conectada solamente a una fuente de alimentación de la misma tensión que la indicada en la placa de características, y solamente puede ser utilizada con alimentación de CA monofásica. La herramienta tiene doble aislamiento y puede, por lo tanto, utilizarse también en tomas de corriente sin conductor de tierra.

## Ruido

El nivel de ruido A-ponderado típico determinado de acuerdo con la norma EN62841-3-9:  
Nivel de presión sonora ( $L_{pA}$ ) : 91 dB (A)  
Nivel de potencia sonora ( $L_{WA}$ ) : 102 dB (A)  
Error (K) : 3 dB (A)

**NOTA:** El valor (o los valores) de emisión de ruido declarado ha sido medido de acuerdo con un método de prueba estándar y se puede utilizar para comparar una herramienta con otra.

**NOTA:** El valor (o valores) de emisión de ruido declarado también se puede utilizar en una valoración preliminar de exposición.

**⚠ADVERTENCIA:** Póngase protectores para oídos.

**⚠ADVERTENCIA:** La emisión de ruido durante la utilización real de la herramienta eléctrica puede variar del valor (o los valores) de emisión declarado dependiendo de las formas en las que la herramienta sea utilizada, especialmente qué tipo de pieza de trabajo se procesa.

**⚠ADVERTENCIA:** Asegúrese de identificar medidas de seguridad para proteger al operario que estén basadas en una estimación de la exposición en las condiciones reales de utilización (teniendo en cuenta todas las partes del ciclo operativo como las veces cuando la herramienta está apagada y cuando está funcionando en vacío además del tiempo de gatillo).

## Declaraciones de conformidad

### Para países europeos solamente

Las declaraciones de conformidad están incluidas como Anexo A de este manual de instrucciones.

## ADVERTENCIAS DE SEGURIDAD

### Advertencias de seguridad para herramientas eléctricas en general

**⚠ADVERTENCIA** Lea todas las advertencias de seguridad, instrucciones, ilustraciones y especificaciones provistas con esta herramienta eléctrica. Si no sigue todas las instrucciones indicadas abajo, podrá resultar en una descarga eléctrica, un incendio y/o heridas graves.

## Guarde todas las advertencias e instrucciones para futuras referencias.

El término "herramienta eléctrica" en las advertencias se refiere a su herramienta eléctrica de funcionamiento con conexión a la red eléctrica (con cable) o herramienta eléctrica de funcionamiento a batería (sin cable).

### Seguridad en el área de trabajo

1. **Mantenga el área de trabajo limpia y bien iluminada.** Las áreas de trabajo atestadas u oscuras son una invitación a accidentes.
2. **No utilice las herramientas eléctricas en atmósferas explosivas, como en la presencia de líquidos, gases o polvo inflamables.** Las herramientas eléctricas crean chispas que pueden prender fuego al polvo o los humos.
3. **Mantenga a los niños y transeúntes alejados mientras utiliza una herramienta eléctrica.** Las distracciones le pueden hacer perder el control.

### Seguridad eléctrica

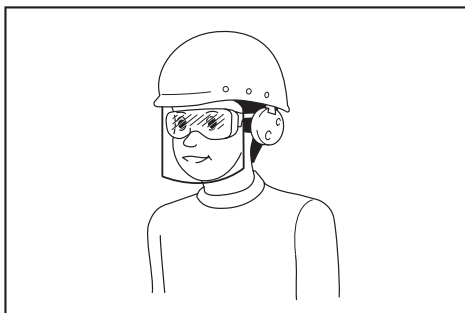
1. **Las clavijas de las herramientas eléctricas deberán ser apropiadas para la toma de corriente. No modifique nunca la clavija de ninguna forma. No utilice ninguna clavija adaptadora con herramientas eléctricas que tengan conexión a tierra (puesta a tierra).** La utilización de clavijas no modificadas y tomas de corriente apropiadas para las clavijas reducirá el riesgo de que se produzca una descarga eléctrica.
2. **Evite tocar con el cuerpo superficies conectadas a tierra o puestas a tierra tales como tubos, radiadores, cocinas y refrigeradores.** Si su cuerpo es puesto a tierra o conectado a tierra existirá un mayor riesgo de que sufra una descarga eléctrica.
3. **No exponga las herramientas eléctricas a la lluvia ni a condiciones húmedas.** La entrada de agua en una herramienta eléctrica aumentará el riesgo de que se produzca una descarga eléctrica.
4. **No haga mal uso del cable. No utilice nunca el cable para transportar, arrastrar o desenchufar la herramienta eléctrica. Mantenga el cable alejado del calor, aceite, bordes cortantes o partes en movimiento.** Los cables dañados o enredados aumentarán el riesgo de que se produzca una descarga eléctrica.
5. **Cuando vaya a utilizar una herramienta eléctrica en exteriores, utilice un cable de extensión apropiado para uso en exteriores.** La utilización de un cable apropiado para uso en exteriores reducirá el riesgo de que se produzca una descarga eléctrica.
6. **Si resulta inevitable utilizar una herramienta eléctrica en un lugar húmedo, utilice un suministro de corriente protegido con un interruptor diferencial.** La utilización de un interruptor diferencial reduce el riesgo de que se produzca una descarga eléctrica.
7. **Siempre es recomendado utilizar el suministro de alimentación a través de un interruptor diferencial con una corriente nominal remanente de 30 mA o menos.**

8. **Las herramientas eléctricas pueden producir campos electromagnéticos (EMF), que no son dañinos para el usuario.** No obstante, los usuarios de marcapasos y otros dispositivos médicos similares deben ponerse en contacto con el fabricante de su dispositivo y/o con su médico para obtener asesoramiento antes de operar esta herramienta.
9. **No toque el enchufe con las manos mojadas.**
10. **Si el cable está dañado, haga que el fabricante o su agente se lo reemplace para evitar un riesgo de la seguridad.**

### Seguridad personal

1. **Esté alerta, concéntrese en lo que esté haciendo y emplee el sentido común cuando utilice una herramienta eléctrica. No utilice una herramienta eléctrica cuando esté cansado o bajo la influencia de drogas, alcohol o medicamentos.** Un momento sin atención mientras se están utilizando herramientas eléctricas puede resultar en heridas personales graves.
2. **Utilice equipo de protección personal. Póngase siempre protección para los ojos.** El equipo de protección como máscara contra el polvo, zapatos de seguridad antideslizantes, casco rígido y protección para los oídos utilizado en las condiciones apropiadas reducirá el riesgo de sufrir heridas personales.
3. **Evite los arranques involuntarios. Asegúrese de que el interruptor está en la posición desactivada antes de conectar a la toma de corriente y/o la batería, coger o transportar la herramienta.** El transportar herramientas eléctricas con el dedo en el interruptor o el conectar la alimentación a herramientas eléctricas que tienen el interruptor activado invita a accidentes.
4. **Retire cualquier llave de ajuste o llave de apriete antes de encender la herramienta eléctrica.** Una llave de apriete o llave de ajuste que haya sido dejada puesta en una parte giratoria de la herramienta eléctrica puede resultar en heridas personales.
5. **No utilice la herramienta donde no alcance. Mantenga los pies sobre suelo firme y el equilibrio en todo momento.** Esto permite un mejor control de la herramienta eléctrica en situaciones inesperadas.
6. **Vístase apropiadamente. No se ponga ropa holgada o joyas. Mantenga el cabello y la ropa alejados de las partes en movimiento.** Las ropas holgadas, las joyas o el cabello largo se pueden enganchar en las partes móviles.
7. **Si hay provistos dispositivos para la conexión de equipos de extracción y recogida de polvo, asegúrese de conectarlos y utilizarlos debidamente.** La utilización de recogida de polvo permite reducir los riesgos relacionados con el polvo.
8. **No deje que la familiaridad obtenida con el uso frecuente de las herramientas le permitan volverse complaciente e ignorar los principios de seguridad de la herramienta.** Un acto de descuido puede ocasionar heridas graves en la fracción de un segundo.

9. **Póngase siempre gafas de protección para proteger sus ojos de heridas cuando utilice herramientas eléctricas. Las gafas de protección deben cumplir con las normas ANSI Z87.1 en los Estados Unidos de América, EN 166 en Europa, o AS/NZS 1336 en Australia/Nueva Zelanda. En Australia/Nueva Zelanda, se requiere, también, legalmente ponerse pantalla facial para proteger la cara.**



**Es una responsabilidad del empresario imponer a los operarios de la herramienta y a otras personas en las inmediaciones del área de trabajo el uso de equipos de protección de seguridad apropiados.**

### Utilización y cuidado de la herramienta eléctrica

1. **No fuerce la herramienta eléctrica. Utilice la herramienta eléctrica correcta para su tarea.** La herramienta eléctrica correcta realizará la tarea mejor y de forma más segura a la potencia para la que ha sido diseñada.
2. **No utilice la herramienta eléctrica si el interruptor no la enciende y apaga.** Cualquier herramienta eléctrica que no pueda ser controlada con el interruptor será peligrosa y deberá ser reparada.
3. **Desconecte la clavija de la fuente de alimentación y/o retire la batería, si es desmontable, de la herramienta eléctrica antes de hacer cualquier ajuste, cambio de accesorios, o almacenar la herramienta eléctrica.** Tales medidas de seguridad preventivas reducen el riesgo de que la herramienta eléctrica pueda ser puesta en marcha por accidente.
4. **Guarde las herramientas eléctricas que no esté utilizando fuera del alcance de los niños y no permita que personas no familiarizadas con la herramienta eléctrica o estas instrucciones utilice la herramienta eléctrica.** Las herramientas eléctricas son peligrosas en manos de personas no capacitadas.
5. **Realice el mantenimiento a las herramientas eléctricas y los accesorios. Compruebe si hay desalineación o bloqueo de las partes móviles, rotura de partes y cualquier otra condición que pueda afectar a la operación de la herramienta. Si está dañada, haga que la herramienta eléctrica sea reparada antes de utilizarla.** Muchos accidentes son causados por un mantenimiento deficiente de las herramientas eléctricas.
6. **Mantenga los implementos de corte afilados y limpios.** Los implementos de corte bien mantenidos con los bordes de corte afilados son menos propensos a estancarse y más fáciles de controlar.



7. **Utilice la herramienta eléctrica, los accesorios y los implementos, etc., de acuerdo con estas instrucciones, teniendo en cuenta las condiciones de trabajo y la tarea que va a realizarse.** La utilización de la herramienta eléctrica para operaciones distintas de las previstas podrá resultar en una situación peligrosa.
8. **Mantenga los mangos y superficies de asiento secos, limpios y libres de aceite y grasa.** Los mangos y superficies de asiento resbaladizo no permiten un manejo y control seguros de la herramienta en situaciones inesperadas.
9. **Cuando utilice la herramienta, no lleve guantes de trabajo de material textil que puedan enredarse.** Si los guantes de trabajo de material textil se enredan en las partes móviles, pueden provocar heridas personales.

#### Servicio

1. **Haga que su herramienta eléctrica sea servida por una persona de reparación cualificada utilizando solamente piezas de repuesto idénticas.** De esta forma la herramienta eléctrica seguirá siendo segura.
2. **Siga las instrucciones para lubricarlas y cambiar los accesorios.**

### Instrucciones de seguridad para las sierras de inglete

1. **Las sierras de inglete han sido previstas para cortar madera o productos semejantes a la madera, no han sido previstas para ser utilizadas con muelas de corte abrasivas para cortar materiales ferrosos tales como barras, vástagos, espárragos roscados, etc.** El polvo abrasivo ocasiona que las partes móviles tal como el protector inferior se atasquen. Las chispas del corte abrasivo quemarán el protector inferior, la inserción de hendidura y otras partes de plástico.
  2. **Utilice abrazaderas para sostener la pieza de trabajo siempre que sea posible. Si sostiene la pieza de trabajo con la mano, deberá mantener la mano siempre a al menos 100 mm de cualquiera de los lados del disco. No utilice esta sierra para cortar piezas que sean demasiado pequeñas para ser fijadas firmemente o sujetadas con la mano.** Si pone la mano demasiado cerca del disco, aumentará el riesgo de heridas producidas por el contacto con el disco.
  3. **La pieza de trabajo debe estar inmóvil y fijada o sujeta contra la guía y la mesa. No avance la pieza de trabajo hacia el disco o corte "a pulso" de ninguna forma.** Las piezas de trabajo sin sujetar o moviéndose pueden ser lanzadas a grandes velocidades, causando heridas.
  4. **Empuje la sierra a través de la pieza de trabajo. No tire de la sierra a través de la pieza de trabajo. Para hacer un corte, suba el cabezal de la sierra y tire de él hacia afuera por encima de la pieza de trabajo sin cortarla, ponga en marcha el motor, presione el cabezal de la sierra hacia abajo y empuje la sierra a través de la pieza de trabajo.** El cortar cuando se tira de la sierra es probable que ocasione que el disco se suba encima de la pieza de trabajo y lance violentamente el conjunto del disco hacia el operario.
5. **No cruce nunca la mano sobre la línea de corte prevista ya sea por delante o por detrás del disco.** El sostener la pieza de trabajo con la "mano cruzada", por ejemplo, sujetando la pieza de trabajo por la derecha del disco con la mano izquierda o viceversa es muy peligroso.
    - Fig.1
  6. **No extienda ninguna de las manos por detrás de la guía hasta más cerca de 100 mm de cualquiera de los lados del disco, para retirar restos de madera, o por cualquier otra razón mientras el disco está girando.** La proximidad a su mano del disco girando puede no ser obvia y usted se puede herir gravemente.
  7. **Inspeccione su pieza de trabajo antes de cortar. Si la pieza de trabajo está curvada o combadada, fjela con la cara curvada exterior hacia la guía. Asegúrese siempre de que no hay holgura entre la pieza de trabajo, la guía y la mesa a lo largo de la línea del corte.** Las piezas de trabajo curvadas o combadadas se pueden retorcer o cambiar de posición y pueden ocasionar que el disco girando se traben mientras corta. No debe haber clavos u objetos extraños en la pieza de trabajo.
  8. **No utilice la sierra hasta que la mesa esté despejada de todas las herramientas, restos de madera, etc., excepto la pieza de trabajo.** Los restos pequeños o trozos de madera sueltos u otros objetos que entren en contacto con el disco mientras está girando pueden salir lanzados a gran velocidad.
  9. **Corte solamente una pieza de trabajo al mismo tiempo.** Múltiples piezas de trabajo apiladas no se pueden fijar o sujetar debidamente y se pueden trabar en el disco o cambiar de posición durante el corte.
  10. **Asegúrese de que la sierra de inglete está montada o colocada sobre una superficie de trabajo nivelada y firme antes de utilizar.** Una superficie de trabajo nivelada y firme reduce el riesgo de que la sierra de inglete se vuelva inestable.
  11. **Planee su trabajo. Cada vez que cambie el ajuste del ángulo de bisel o inglete, asegúrese de que la guía ajustable esté ajustada correctamente para sostener la pieza de trabajo y que no va a interferir con el disco o el sistema de protección.** Sin "ENCENDER" la herramienta y sin pieza de trabajo encima de la mesa, mueva el disco a través de un corte simulado completo para asegurarse de que no va a haber interferencia o peligro de cortar la guía.
  12. **Proporcione un apoyo adecuado tales como extensiones de mesa, caballetes, etc., para una pieza de trabajo que sea más ancha o larga que la parte superior de la mesa.** Las piezas de trabajo más largas o anchas que la mesa de la sierra de inglete se pueden ladear si no se apoyan firmemente. Si la pieza cortada o la pieza de trabajo se ladea, podrá levantar el protector inferior o ser lanzada por el disco que está girando.



13. **No utilice a otra persona como sustitución de una mesa de extensión o como apoyo adicional.** Un apoyo inestable de la pieza de trabajo puede ocasionar que el disco se trabe o que la pieza de trabajo cambie de posición durante la operación de corte arrastrando a usted y al ayudante hacia el disco que está girando.
14. **La pieza cortada no deberá ser empujada o presionada de ningún modo contra el disco que está girando.** Si se confina, por ejemplo, utilizando topes de longitud, la pieza cortada puede incrustarse contra el disco y ser lanzada violentamente.
15. **Asegúrese siempre de utilizar una abrazadera o accesorio designado para sostener debidamente material redondo tales como vástagos o tubos.** Los vástagos tienen tendencia a rodar mientras están siendo cortados, ocasionando que el disco "muerda" y tire de la pieza de trabajo junto con su mano hacia el disco.
16. **Deje que el disco alcance plena velocidad antes de que haga contacto con la pieza de trabajo.** Esto reducirá el riesgo de que la pieza de trabajo sea lanzada.
17. **Si la pieza de trabajo o el disco se atasca, apague la sierra de inglete. Espere hasta que todas las partes móviles se detengan y desconecte la clavija de la fuente de alimentación y/o retire la batería. Después realice la tarea de liberar el material atascado.** Si continúa serrando con una pieza de trabajo atascada podrá ocasionar la pérdida de control o daños a la sierra de inglete.
18. **Después de terminar el corte, libere el interruptor, mantenga el cabezal de la sierra bajado y espere hasta que el disco se detenga antes de retirar la pieza cortada.** El alargar la mano hasta cerca del disco que está girando por inercia es peligroso.
19. **Utilice solamente el disco con el diámetro que está marcado en la herramienta o especificado en el manual.** La utilización de un disco de tamaño incorrecto puede afectar a la protección apropiada del disco o a la operación del protector lo que puede resultar en heridas personales graves.
20. **Utilice solamente discos que tengan marcada una velocidad igual o mayor que la velocidad marcada en la herramienta.**
21. **No utilice la sierra para cortar materiales distintos de los especificados.**
22. **(Para países europeos solamente) Utilice siempre el disco que cumpla con EN847-1, si lo prevé para cortar madera o materiales similares.**
4. **No utilice la sierra sin los protectores puestos.** Compruebe que el protector de disco se cierra debidamente antes de cada uso. No utilice la sierra si el protector de disco no se mueve libremente y se cierra instantáneamente. No sujete ni ate nunca el protector de disco en la posición abierta.
5. **Mantenga las manos apartadas del recorrido del disco.** Evite el contacto con cualquier disco cuando esté girando por inercia. Incluso entonces puede causar heridas graves.
6. **Para reducir el riesgo de heridas, devuelva el carro a la posición trasera completa después de cada operación de corte cruzado.**
7. **Sujete siempre todas las partes móviles antes de transportar la herramienta.**
8. **El pasador de retención o la palanca del reteñedor que bloquea el cabezal de la sierra en posición bajada es solamente para transportar y almacenar la herramienta y no para ninguna operación de corte.**
9. **Compruebe el disco cuidadosamente por si tiene grietas o daños antes de comenzar la operación. Reemplace el disco inmediatamente si está agrietado o dañado.** La goma y resina de madera endurecida en los discos ralentiza la sierra y aumenta la posibilidad de que se produzca un retroceso brusco. Mantenga el disco limpio retirándolo primero de la herramienta, y limpiándolo después con un eliminador de goma y resina, agua caliente o keroseno. No utilice nunca gasolina para limpiar el disco.
10. **Mientras se hace un corte de deslizamiento, puede producirse un RETROCESO BRUSCO.** Los RETROCESOS BRUSCOS se producen cuando el disco se trava en la pieza de trabajo durante una operación de corte y es conducido rápidamente hacia el operario. Puede resultar en pérdida de control y heridas graves. Si el disco comienza a trabarse durante una operación de corte, no continúe cortando y libere el interruptor inmediatamente.
11. **Utilice solamente las bridas especificadas para esta herramienta.**
12. **Tenga cuidado de no dañar el eje, las bridas (en especial la superficie de instalación) o el perno.** Los daños en estas piezas pueden resultar en rotura del disco.
13. **Asegúrese de que la base giratoria está debidamente sujeta de forma que no se mueva durante la operación.** Utilice los agujeros en la base para sujetar la sierra a una plataforma o banco de trabajo estable. No utilice NUNCA la herramienta donde la postura del operario no sea práctica.

#### Instrucciones adicionales

1. **Haga el taller a prueba de niños utilizando candados.**
2. **No se ponga nunca encima de la herramienta.** Si la herramienta se vuelca o si se hace contacto involuntario con el implemento de corte se podrán producir heridas graves.
3. **No deje nunca la herramienta en marcha sin atender. Desconecte la alimentación. No deje la herramienta hasta que se haya detenido completamente.**
4. **Antes de activar el interruptor, asegúrese de que el bloqueo del eje está quitado.**
5. **Asegúrese de que el disco no toca la base giratoria cuando está en la posición más baja.**
6. **Sujete la empuñadura firmemente. Tenga presente que la sierra se mueve un poco hacia arriba y hacia abajo durante el inicio y la parada.**
7. **Asegúrese de que el disco no está tocando la pieza de trabajo antes de activar el interruptor.**

18. Antes de utilizar la herramienta en una pieza de trabajo definitiva, déjela funcionar durante un rato. Observe para ver si se producen vibraciones o bamboleos que puedan indicar que el disco está mal instalado o mal equilibrado.
19. Detenga la operación inmediatamente si nota algo anormal.
20. No intente bloquear el gatillo en la posición "ACTIVADA".
21. Utilice siempre los accesorios recomendados en este manual. La utilización de accesorios incorrectos como muelas abrasivas puede ocasionar heridas.
22. Algunos materiales contienen sustancias químicas que pueden ser tóxicas. Tenga precaución para evitar la inhalación de polvo y el contacto con la piel. Siga los datos de seguridad del abastecedor del material.

Normas de seguridad adicionales para la lámpara de operación

1. No mire la luz ni vea la fuente de luz directamente.

## GUARDE ESTAS INSTRUCCIONES.

**⚠️ ADVERTENCIA:** NO deje que la comodidad o familiaridad con el producto (a base de utilizarlo repetidamente) sustituya la estricta observancia de las normas de seguridad para el producto en cuestión. El MAL USO o el no seguir las normas de seguridad establecidas en este manual de instrucciones podrá ocasionar graves heridas personales.

## DESCRIPCIÓN DE LAS PARTES

► Fig.2

1	Tornillo de ajuste (para posición del límite inferior)	2	Brazo de retención	3	Bolsa de polvo	4	Tornillo de apriete manual (para deslizamiento del carro)
5	Puntero (para ángulo de bisel)	6	Escala de ángulo de bisel	7	Barra deslizable	8	Mordaza vertical
9	Guía deslizable	10	Perno de ajuste de 0° (para ángulo de bisel)	11	Guía lateral	12	Base secundaria
13	Base giratoria	14	Escala de ángulo de inglete	15	Puntero (para ángulo de inglete)	16	Placa de corte
17	Perno de ajuste (para base giratoria)	18	Palanca de bloqueo (para base giratoria)	19	Mango (para base giratoria)	20	Protector con recogida de polvo
21	Protector de disco	22	Lámpara	23	Empuñadura (para operación)	24	Gatillo interruptor
25	Agujero para candado	26	Botón de desbloqueo	27	Empuñadura de transporte	-	-

► Fig.3

1	Interruptor de la lámpara	2	Bloqueo del eje	3	Perno de ajuste (para capacidad de corte máxima)	4	Pasador de retención (para elevación del carro)
5	Placa de presión	6	Llave hexagonal	7	Perno de ajuste de 45° (para ángulo de bisel)	8	Palanca (para ángulo de bisel)
9	Botón de liberación (para ángulo de bisel)	-	-	-	-	-	-

## INSTALACIÓN

### Montaje en un banco de trabajo

**⚠️ ADVERTENCIA:** Asegúrese de que la herramienta no se mueve en la superficie de apoyo. El movimiento de la sierra de inglete en la superficie de apoyo mientras hace el corte puede resultar en la pérdida del control y heridas personales graves.

1. Fije la base en una superficie nivelada y estable, atornillándola con los pernos. Esto ayuda a evitar que se vuelque y pueda ocasionar heridas.

► Fig.4: 1. Perno 2. Agujero de montaje

2. Gire el perno de ajuste hacia la derecha o hacia la izquierda de forma que toque la superficie del suelo para mantener estable la herramienta.

► Fig.5: 1. Perno de ajuste

## DESCRIPCIÓN DEL FUNCIONAMIENTO

**⚠️ ADVERTENCIA:** Asegúrese siempre de que la herramienta está apagada y desenchufada antes de ajustar o comprobar la función de la herramienta. El no apagar y desenchufar la herramienta puede resultar en heridas personales graves a causa de una puesta en marcha accidental.

### Bloqueo de la empuñadura

**⚠️ PRECAUCIÓN:** Sujete siempre la empuñadura cuando vaya a soltar el pasador de retención. De lo contrario la empuñadura saltará hacia arriba y podrá resultar en heridas personales.

Cuando la herramienta sale de fábrica, la empuñadura está bloqueada en la posición bajada con el pasador de retención. Para desbloquear la empuñadura, tire del pasador de retención mientras baja la empuñadura ligeramente.

► **Fig.6:** 1. Pasador de retención

### Bloqueo de deslizamiento

Para permitir el movimiento de deslizamiento del carro, afloje el tornillo de apriete manual del brazo. Para bloquear el movimiento de deslizamiento del carro, mueva el carro hasta la posición deseada, y después apriete el tornillo de apriete manual firmemente.

► **Fig.7:** 1. Tornillo de apriete manual 2. Brazo

### Protector de disco

**⚠️ ADVERTENCIA:** No anule ni retire nunca el protector de disco ni el resorte que va sujeto al protector. Un disco de sierra circular expuesto como resultado de un protector anulado puede resultar en heridas personales graves durante la operación.

**⚠️ ADVERTENCIA:** No utilice nunca la herramienta si el protector de disco o el resorte está dañado, defectuoso o ha sido retirado. La utilización de la herramienta con un protector dañado, defectuoso o retirado puede resultar en heridas personales graves.

**⚠️ PRECAUCIÓN:** Mantenga siempre el protector de disco en buenas condiciones para realizar la operación con seguridad. Detenga inmediatamente la operación si nota alguna irregularidad en el protector de disco. Compruebe para asegurarse de que el protector retorna accionado por resorte.

Al bajar la empuñadura, el protector de disco se sube automáticamente. El protector se acciona por resorte por lo que retorna a su posición original cuando se completa el corte y se sube la empuñadura.

► **Fig.8:** 1. Protector de disco

## Limpieza

Si el protector de disco transparente se ensucia, o si se adhiere serrín a él de tal forma que no pueda verse fácilmente el disco de sierra circular y/o la pieza de trabajo, desenchufe la herramienta y limpie el protector cuidadosamente con un paño húmedo. No utilice disolventes ni ningún producto de limpieza a base de petróleo para limpiar el protector de plástico porque pueden causar daños al protector. Siga las instrucciones paso a paso indicadas en cómo preparar para la limpieza.

1. Asegúrese de que la herramienta está apagada y desenchufada.
  2. Gire el perno de cabeza hueca hexagonal que retiene la cubierta central hacia la izquierda utilizando la llave hexagonal suministrada.
  3. Suba el protector de disco y la cubierta central.
  4. Cuando haya completado la limpieza, vuelva a poner la cubierta central y apriete el perno de cabeza hueca hexagonal realizando los pasos de arriba a la inversa.
- **Fig.9:** 1. Llave hexagonal 2. Perno de cabeza hueca hexagonal 3. Cubierta central 4. Protector de disco

**⚠️ ADVERTENCIA:** No retire el resorte que sujeta el protector de disco. Si el protector se daña con el paso del tiempo o por la exposición a los rayos ultravioleta, póngase en contacto con el Centro de servicio Makita para reemplazarlo. **NO ANULE NI RETIRE EL PROTECTOR.**

### Posicionamiento de las placas de corte

Esta herramienta se provee con placas de corte en la base giratoria para minimizar el desgarro en el lado de salida de un corte. Las placas de corte se ajustan en fábrica para que el disco de sierra circular no las toque. Antes de utilizar la herramienta, ajuste las placas de corte de la forma siguiente:

1. Asegúrese de que la herramienta está desenchufada. Después, afloje todos los tornillos (tres en cada lado derecho e izquierdo) que sujetan las placas de corte.
- **Fig.10:** 1. Placa de corte 2. Tornillo
2. Apriételos otra vez pero solamente hasta el punto en el que las placas de corte puedan seguir moviéndose fácilmente con la mano.
3. Baje la empuñadura completamente, después bloquee la empuñadura en la posición bajada con el pasador de retención.

4. Afloje el tornillo de apriete manual del brazo que impide el movimiento de deslizamiento del carro.

Tire del carro hacia usted completamente.

► **Fig.11:** 1. Tornillo de apriete manual 2. Brazo

5. Ajuste las placas de corte de forma que estén cerca de los laterales de los dientes del disco.

► **Fig.12**

► **Fig.13:** 1. Disco de sierra circular 2. Dientes del disco 3. Placa de corte 4. Corte en bisel izquierdo 5. Corte recto

6. Apriete los tornillos delanteros (no los apriete mucho).
7. Deslice el carro hasta la posición entre el extremo frontal de las placas de corte y las guías laterales. Ajuste las placas de corte de forma que estén cerca de los laterales de los dientes del disco.
8. Apriete los tornillos centrales (no los apriete mucho).
9. Empuje el carro hacia las guías laterales completamente y después ajuste las placas de corte de forma que estén cerca de los laterales de los dientes del disco.
10. Apriete los tornillos traseros (no los apriete mucho).
11. Libere el pasador de retención para bloqueo de la empuñadura y suba la empuñadura. Después apriete todos los tornillos firmemente.

**AVISO:** Después de ajustar el ángulo de bisel, asegúrese de que las placas de corte están ajustadas debidamente. El correcto ajuste de las placas de corte ayuda a proveer un apoyo adecuado de la pieza de trabajo y a reducir al mínimo el desgarrado de la pieza de trabajo.

## Para mantener la máxima capacidad de corte

Esta herramienta se ajusta en fábrica para proveer la capacidad de corte máxima para un disco de sierra circular de 216 mm.

Cuando instale un disco de sierra circular nuevo, compruebe siempre la posición del límite inferior del disco de sierra circular y, si es necesario, ajústelo de la forma siguiente:

1. Desenchufe la herramienta. Después, empuje el carro hacia la guía lateral completamente y baje la empuñadura completamente.
2. Utilice la llave hexagonal (lado de destornillador) para girar el perno de ajuste hasta que el disco de sierra circular quede ligeramente por debajo de la sección transversal de la guía lateral y la superficie superior de la base giratoria.

► Fig. 14: 1. Perno de ajuste 2. Guía lateral

► Fig. 15

3. Gire el disco de sierra circular con la mano mientras mantiene la empuñadura bajada completamente para asegurarse de que el disco de sierra circular no hace contacto con ninguna parte de la base inferior. Vuelva a ajustar la capacidad de corte máxima, si es necesario.

**ADVERTENCIA:** Después de instalar un disco de sierra circular nuevo y con la herramienta desenchufada, asegúrese siempre de que el disco de sierra circular no hace contacto con ninguna parte de la base inferior cuando la empuñadura está bajada completamente. Si el disco de sierra circular hace contacto con la base, podrá ocasionar un retroceso brusco y resultar en heridas personales graves.

► Fig. 16

## Brazo de retención

La posición del límite inferior del disco puede ajustarse fácilmente con el brazo de retención. Para ajustar el límite inferior, gire el brazo de retención en la dirección de la flecha como se muestra en la figura. Gire el tornillo de ajuste de forma que el disco se pare en la posición deseada cuando baje la empuñadura completamente.

► Fig. 17: 1. Brazo de retención 2. Tornillo de ajuste

## Ajuste del ángulo de inglete

**PRECAUCIÓN:** Después de cambiar el ángulo de inglete, sujete siempre la base giratoria apretando el mango completamente.

**AVISO:** Cuando vaya a girar la base giratoria, asegúrese de subir la empuñadura completamente.

Gire el mango hacia la izquierda para desbloquear la base giratoria. Gire el mango mientras mantiene subida la palanca de bloqueo para mover la base giratoria. Alinee el puntero con el ángulo que desee de la escala de ángulo de inglete y después apriete el mango.

► Fig. 18: 1. Palanca de bloqueo 2. Mango 3. Puntero

## Función de parada positiva

Esta sierra de inglete emplea la función de parada positiva. Puede ajustar un ángulo de inglete izquierdo/derecho de 0°, 15°, 22,5°, 31,6°, y 45° rápidamente. Para utilizar esta función, mueva la base giratoria hasta cerca del ángulo de parada positiva deseado mientras mantiene subida la palanca de bloqueo. Después libere la palanca de bloqueo y mueva la base giratoria al ángulo de parada positiva que desee hasta que la base giratoria esté bloqueada.

## Ajuste del ángulo de bisel

**PRECAUCIÓN:** Después de cambiar el ángulo de bisel, sujete siempre el brazo apretando la palanca hacia la derecha.

**AVISO:** Retire siempre la mordaza vertical antes de ajustar el ángulo de bisel.

**AVISO:** Cuando incline el disco de sierra circular, asegúrese de que el carro está subido completamente.

**AVISO:** Cuando cambie ángulos de bisel, asegúrese de volver a posicionar las placas de corte debidamente como se explica en la sección para posicionamiento de las placas de corte.

**AVISO:** No apriete la palanca con demasiada fuerza. Si lo hace, podrá ocasionar un mal funcionamiento del mecanismo de bloqueo del ángulo de bisel.

## Inclinación del disco de sierra circular hacia la izquierda 0° - 45°

1. Gire la palanca hacia la izquierda.
  2. Sujete la empuñadura e incline el carro hacia la izquierda.
  3. Alinee el puntero con el ángulo que desee de la escala de ángulo de bisel.
  4. Apriete la palanca hacia la derecha para sujetar el brazo.
- **Fig.19:** 1. Palanca 2. Empuñadura 3. Puntero  
4. Escala de ángulo de bisel

## Inclinación del disco de sierra circular hacia la izquierda más allá de 0° - 45°

1. Gire la palanca hacia la izquierda.
2. Sujete la empuñadura y ajuste el carro a 0° para 2° del lado derecho, o a 45° para 47° del lado izquierdo.
3. Incline el carro ligeramente hacia el lado opuesto.
4. Presione el botón de liberación.
5. Incline el carro hasta la posición deseada más allá del rango de 0° - 45°.
6. Apriete la palanca hacia la derecha para sujetar el brazo.

Cuando se inclina el carro 2° hacia la derecha

- **Fig.20:** 1. Palanca 2. Empuñadura 3. Botón de liberación

Cuando se inclina el carro 47° hacia la izquierda

- **Fig.21:** 1. Palanca 2. Empuñadura 3. Botón de liberación

## Accionamiento del interruptor

**⚠ADVERTENCIA:** Antes de enchufar la herramienta, compruebe siempre para cerciorarse de que el gatillo interruptor se acciona debidamente y que vuelve a la posición "apagada" cuando lo suelta. No apriete con fuerza el gatillo interruptor sin presionar hacia dentro el botón de desbloqueo. Podría romper el interruptor. La utilización de una herramienta con un interruptor que no se acciona debidamente puede resultar en la pérdida de control y heridas personales graves.

**⚠ADVERTENCIA:** No utilice NUNCA la herramienta si el gatillo interruptor no funciona perfectamente bien. Cualquier herramienta con un interruptor que no funciona bien es MUY PELIGROSA y deberá ser reparada antes de seguir utilizándola o podrán producirse heridas personales graves.

**⚠ADVERTENCIA:** No anule NUNCA la función del botón de desbloqueo sujetándolo con cinta adhesiva o alguna otra manera. Un interruptor con un botón de desbloqueo anulado puede resultar en una puesta en marcha involuntaria y a heridas personales graves.

**⚠ADVERTENCIA:** No utilice NUNCA la herramienta si se pone en marcha cuando usted simplemente aprieta el gatillo interruptor sin presionar el botón de desbloqueo. Un interruptor con necesidad de reparación puede resultar en una puesta en marcha involuntaria y a heridas personales graves. Lleve la herramienta a un centro de servicio Makita para que le hagan las reparaciones apropiadas ANTES de seguir utilizándola.

Para evitar que el gatillo interruptor pueda accionarse accidentalmente, se ha provisto un botón de desbloqueo. Para poner en marcha la herramienta, presione hacia dentro el botón de desbloqueo y apriete el gatillo interruptor. Suelte el gatillo interruptor para parar. En el gatillo interruptor se ha provisto un agujero para insertar un candado a fin de bloquear la herramienta en posición apagada.

- **Fig.22:** 1. Gatillo interruptor 2. Botón de desbloqueo 3. Agujero para candado

**⚠ADVERTENCIA:** No utilice un candado con un fuste o cable de menos de 6,35 mm de diámetro. Un fuste o cable más pequeño podrá no bloquear debidamente la herramienta en la posición apagada y es posible que se produzca una puesta en marcha involuntaria resultando en heridas personales graves.

## Emisión de una línea de corte

**⚠PRECAUCIÓN:** La lámpara no es a prueba de lluvia. No lave la lámpara en agua ni la utilice bajo la lluvia ni en un área mojada. Tal conducta puede ocasionar una descarga eléctrica y humo.

**⚠PRECAUCIÓN:** No toque la lente de la lámpara, porque estará muy caliente mientras está encendida o poco después de haberla apagado. Esto puede ocasionar quemaduras.

**⚠PRECAUCIÓN:** No aplique impactos a la lámpara, los cuales podrán ocasionar daños o reducir el tiempo de servicio de la misma.

**⚠PRECAUCIÓN:** No mire a la luz ni vea la fuente de luz directamente.

La lámpara LED emite una luz sobre el disco de sierra circular, y la sombra del disco se proyecta sobre la pieza de trabajo haciendo las veces de indicador de línea de corte sin necesidad de calibración. Presione el interruptor de la lámpara para arrojar una luz. Aparecerá una línea en la que el disco convergerá con la superficie de la pieza de trabajo, volviéndose más intensa a medida que el disco sea bajado.

- **Fig.23:** 1. Interruptor de la lámpara 2. Lámpara 3. Línea de corte

El indicador ayuda a cortar a través de una línea para cortar existente trazada sobre una pieza de trabajo.

1. Sujete la empuñadura y baje el disco de sierra circular de forma que una sombra densa del disco se proyecte contra una pieza de trabajo.
2. Alinee una línea para cortar trazada sobre la pieza de trabajo con la línea de corte sombreada.
3. Ajuste los ángulos de inglete y los ángulos de bisel si es necesario.

**NOTA:** Asegúrese de desactivar el interruptor de la lámpara después de la utilización. De lo contrario la lámpara se mantendrá caliente.

# MONTAJE

**⚠️ ADVERTENCIA:** Asegúrese siempre de que la herramienta está apagada y desenchufada antes de trabajar en la herramienta. El no apagar y desenchufar la herramienta podrá resultar en heridas personales graves.

## Para guardar la llave hexagonal

Cuando no la esté utilizando, coloque la llave hexagonal como se muestra en la figura para evitar perderla.

► **Fig.24:** 1. Llave hexagonal

## Instalación o desmontaje del disco de sierra circular

**⚠️ ADVERTENCIA:** Asegúrese siempre de que la herramienta está apagada y desenchufada antes de retirar e instalar el disco de sierra circular. Una puesta en marcha involuntaria de la herramienta puede resultar en heridas personales graves.

**⚠️ ADVERTENCIA:** Utilice solamente la llave Makita provista para desmontar e instalar el disco de sierra circular. El no utilizar la llave puede resultar en un apriete excesivo o insuficiente del perno de cabeza hueca hexagonal y heridas personales graves.

**⚠️ ADVERTENCIA:** Nunca utilice ni sustituya con piezas que no hayan sido suministradas con esta herramienta. La utilización de dichas piezas puede ocasionar heridas personales graves.

**⚠️ ADVERTENCIA:** Después de instalar el disco de sierra circular, asegúrese siempre de que está instalado firmemente. Una instalación floja del disco de sierra circular puede ocasionar heridas personales graves.

## Preparativos comunes para la instalación o desmontaje del disco de sierra circular

1. Desbloquee el carro tirando del pasador de retención, después mueva el carro a la posición levantada.

2. Afloje el perno de cabeza hueca hexagonal que sujeta la cubierta central utilizando la llave hexagonal. Después, suba el protector de disco y la cubierta central.

► **Fig.25:** 1. Llave hexagonal 2. Perno de cabeza hueca hexagonal 3. Cubierta central 4. Protector de disco

## Instalación del disco de sierra circular

**⚠️ PRECAUCIÓN:** Asegúrese de instalar el disco de sierra circular de forma que la dirección de la flecha del disco de sierra circular coincida con la de la caja del disco. El no hacerlo puede resultar en heridas personales y ocasionar daños a la herramienta y/o la pieza de trabajo.

1. Complete los pasos en los "Preparativos comunes para la instalación o desmontaje del disco de sierra circular".

2. Presione el bloqueo del eje para bloquear el eje y utilice la llave hexagonal para aflojar el perno de cabeza hueca hexagonal hacia la derecha. Después retire el perno de cabeza hueca hexagonal, la brida exterior y el disco de sierra circular.

► **Fig.26:** 1. Perno de cabeza hueca hexagonal (rosca hacia la izquierda) 2. Brida exterior 3. Bloqueo del eje

3. Monte el disco de sierra circular con cuidado sobre la brida interior. Asegúrese de que la dirección de la flecha en el disco de sierra circular coincide con la dirección de la flecha en la caja del disco.

► **Fig.27:** 1. Flecha

4. Instale la brida exterior y el perno de cabeza hueca hexagonal. Apriete el perno de cabeza hueca hexagonal (rosca hacia la izquierda) hacia la izquierda firmemente utilizando la llave hexagonal mientras presiona el bloqueo del eje.

► **Fig.28:** 1. Perno de cabeza hueca hexagonal (rosca hacia la izquierda) 2. Brida exterior 3. Disco de sierra circular 4. Anillo 5. Brida interior 6. Eje

► **Fig.29:** 1. Perno de cabeza hueca hexagonal (rosca hacia la izquierda) 2. Brida exterior 3. Bloqueo del eje

5. Devuelva el protector de disco y la cubierta central a sus posiciones originales. Después apriete el perno de cabeza hueca hexagonal de la cubierta central para sujetarla.

Baje el carro y compruebe que el protector de disco se mueve debidamente.

► **Fig.30:** 1. Llave hexagonal 2. Perno de cabeza hueca hexagonal 3. Cubierta central 4. Protector de disco

## Desmontaje del disco de sierra circular

1. Complete los pasos en los "Preparativos comunes para la instalación o desmontaje del disco de sierra circular".

2. Presione el bloqueo del eje para bloquear el eje. Afloje el perno de cabeza hueca hexagonal hacia la derecha utilizando la llave hexagonal. Después retire el perno de cabeza hueca hexagonal, la brida exterior y el disco de sierra circular.

► **Fig.31:** 1. Perno de cabeza hueca hexagonal (rosca hacia la izquierda) 2. Brida exterior 3. Bloqueo del eje



3. Si la brida interior ha sido retirada, instálela en el eje con su parte de montaje de disco orientada hacia el disco de sierra circular. Si la brida está instalada incorrectamente, rozará contra la máquina.

► **Fig.32:** 1. Perno de cabeza hueca hexagonal (rosca hacia la izquierda) 2. Brida exterior 3. Disco de sierra circular 4. Anillo 5. Brida interior 6. Eje

**AVISO:** Tenga cuidado de no perder la brida exterior y el perno de cabeza hueca hexagonal que ha retirado.

## Conexión de un aspirador

Cuando quiera realizar una operación de corte limpia, conecte un aspirador Makita.

**AVISO:** Dependiendo del tipo de aspirador y manguera utilizados, puede que el protector con recogida de polvo bloquee el conector de recogida de polvo, haciendo que sea imposible recoger el polvo. En ese caso, reduzca la potencia de succión del aspirador.

► **Fig.33:** 1. Protector con recogida de polvo

## Bolsa de polvo

**PRECAUCIÓN:** Cuando realice un corte, coloque siempre la bolsa de polvo o conecte un aspirador para evitar riesgos relacionados con el polvo.

La utilización de la bolsa de polvo permite realizar operaciones de corte limpias y la recogida de polvo de forma fácil. Para colocar la bolsa de polvo, conecte la bolsa de polvo a la boquilla de polvo.

► **Fig.34:** 1. Bolsa de polvo 2. Boquilla de polvo

Cuando la bolsa de polvo esté medio llena, retírela de la herramienta y abra el cierre. Vacíe la bolsa de polvo golpeándola ligeramente con objeto de retirar las partículas adheridas en el interior para que no impidan la posterior recogida de polvo.

► **Fig.35:** 1. Cierre

## Sujeción de la pieza de trabajo

**ADVERTENCIA:** Es muy importante sujetar siempre la pieza de trabajo correctamente con el tipo apropiado de mordaza. El no hacerlo puede resultar en heridas personales graves y ocasionar daños a la herramienta y/o la pieza de trabajo.

**ADVERTENCIA:** Después de una operación de corte, no suba el disco hasta que se haya parado completamente. La subida de un disco girando por inercia puede resultar en heridas personales graves y daños a la pieza de trabajo.

**ADVERTENCIA:** Cuando corte una pieza de trabajo que sea más larga que la base de apoyo de la sierra de inglete, el material deberá ser apoyado en toda su longitud más allá de la base de apoyo y a la misma altura para mantener nivelado el material. Un apoyo apropiado de la pieza de trabajo ayudará a evitar que el disco se atranque y un posible retroceso brusco que puede resultar en heridas personales graves. No dependa únicamente de la mordaza vertical para sujetar la pieza de trabajo. El material fino tiende a combarse. Apoye la pieza de trabajo en toda su longitud para evitar que el disco se atranque y que posiblemente se produzca un RETROCESO BRUSCO.

► **Fig.36:** 1. Apoyo 2. Base giratoria

## Guías laterales

**ADVERTENCIA:** Antes de utilizar la herramienta, asegúrese de que la guía deslizante está sujeta con el tornillo de fijación firmemente.

**ADVERTENCIA:** Antes de cortar en bisel, asegúrese de que ninguna parte de la herramienta, en especial el disco de sierra circular, hace contacto con las guías cuando baje y suba completamente la empuñadura en cualquier posición y mientras mueve el carro a lo largo de todo su rango de desplazamiento. Si la herramienta o el disco de sierra circular hace contacto con la guía, esto puede resultar en un retroceso brusco o movimiento inesperado del material y heridas personales graves.

Esta herramienta está equipada con la guía deslizante. Cuando haga cortes en bisel izquierdo, afloje el tornillo de fijación y mueva la guía deslizante de forma que no dificulte el movimiento del carro. Sujete la guía deslizante apretando el tornillo de fijación.

► **Fig.37:** 1. Guía deslizante 2. Guía lateral 3. Tornillo de fijación

## Mordaza vertical

**ADVERTENCIA:** La pieza de trabajo deberá estar sujeta firmemente contra la base giratoria y la guía lateral con la mordaza durante todas las operaciones. Si la pieza de trabajo no está sujeta debidamente contra la guía, el material podrá moverse durante la operación de corte ocasionando posibles daños al disco, haciendo que el material salga lanzado y que se pierda el control resultando en heridas personales graves.

La mordaza vertical se puede instalar en los agujeros del lado izquierdo de la base, lado derecho de la base o lado izquierdo de la base secundaria.

Presione la pieza de trabajo a ras contra la guía lateral y la base giratoria. Ponga la pieza de trabajo en la posición de corte deseada y sujétela firmemente apretando el pomo de la mordaza.

Asegúrese de que ninguna parte de la herramienta hace contacto con la mordaza vertical cuando baje la empuñadura a tope. Si alguna parte toca la mordaza vertical, reposicione la mordaza vertical.

► **Fig.38:** 1. Agujero 2. Pomo de la mordaza

## Base secundaria

**ADVERTENCIA:** Apoye siempre una pieza de trabajo larga de forma que quede nivelada con la superficie superior de la base giratoria para poder realizar un corte preciso y evitar una peligrosa pérdida de control de la herramienta. Un apoyo apropiado de la pieza de trabajo ayudará a evitar que el disco se atranque y un posible retroceso brusco que puede resultar en heridas personales graves.

**ADVERTENCIA:** Antes de la operación de corte, asegúrese siempre de que las bases secundarias están sujetadas con los tornillos de apriete manual.

Para sujetar piezas de trabajo largas horizontalmente, se han provisto bases secundarias en ambos lados de la herramienta. Afloje los tornillos de apriete manual y extienda las bases secundarias hasta la longitud apropiada para sujetar la pieza de trabajo. Después apriete los tornillos de apriete manual.

► **Fig.39:** 1. Base secundaria 2. Tornillo de apriete manual

Cuando corte, coloque la pieza de trabajo a ras contra las guías laterales.

► **Fig.40:** 1. Guía lateral 2. Base secundaria

## OPERACIÓN

Esta herramienta ha sido prevista para cortar productos de madera. Con discos genuinos de Makita apropiados, también se pueden serrar los materiales siguientes:

— Productos de aluminio

Consulte nuestro sitio web o póngase en contacto con el distribuidor Makita local para ver los discos de sierra circular correctos que hay que utilizar para el material que se va a cortar.

**⚠ADVERTENCIA:** Asegúrese de que el disco no está tocando la pieza de trabajo, etc., antes de activar el interruptor. El encender la herramienta con el disco haciendo contacto con la pieza de trabajo puede resultar en un retroceso brusco y heridas personales graves.

**⚠ADVERTENCIA:** Después de una operación de corte, no suba el disco hasta que se haya parado completamente. La subida de un disco girando por inercia puede resultar en heridas personales graves y daños a la pieza de trabajo.

**⚠ADVERTENCIA:** No realice ningún ajuste como girar el mango, el pomo, y las palancas de la herramienta mientras el disco está girando. El ajustar mientras el disco está girando puede resultar en heridas personales graves.

**⚠PRECAUCIÓN:** No libere el cabezal de la sierra de forma incontrolada desde la posición totalmente bajada. Sin control, el cabezal de la sierra podrá golpearle y resultará en heridas personales.

**AVISO:** Antes de la utilización, asegúrese de desbloquear el pasador de retención y liberar la empuñadura de la posición bajada.

**AVISO:** No ejerza presión excesiva en la empuñadura cuando corte. Una fuerza excesiva podrá resultar en una sobrecarga del motor y/o reducir la eficacia de corte. Presione hacia abajo la empuñadura con la fuerza únicamente necesaria para cortar suavemente y sin reducir significativamente la velocidad del disco.

**AVISO:** Presione hacia abajo suavemente la empuñadura para realizar el corte. Si presiona la empuñadura hacia abajo con fuerza o si ejerce fuerza lateral, el disco podrá vibrar y dejar una marca (marca de sierra) en la pieza de trabajo y puede que la precisión del corte se vea afectada.

**AVISO:** Durante un corte de deslizamiento, empuje suavemente el carro hacia la guía lateral sin parar. Si el movimiento del carro se para durante el corte, quedará una marca en la pieza de trabajo y la precisión del corte se deteriorará.

## Corte por presión

**⚠ADVERTENCIA:** Bloquee siempre el movimiento de deslizamiento del carro cuando realice un corte por presión. El cortar sin bloquear puede ocasionar un posible retroceso brusco que puede resultar en heridas personales graves.

Piezas de trabajo de hasta 65 mm de altura y 80 mm de anchura se pueden cortar de esta manera.

1. Empuje el carro hacia la guía lateral hasta que se detenga y bloquéelo con el tornillo de apriete manual.
2. Sujete la pieza de trabajo con el tipo de mordaza apropiado.
3. Encienda la herramienta sin que el disco de sierra circular esté tocando nada y espere hasta que el disco de sierra circular alcance plena velocidad antes de bajar.
4. Baje suavemente la empuñadura hasta la posición totalmente bajada para cortar la pieza de trabajo.
5. Cuando haya completado el corte, apague la herramienta y espere hasta que el disco de sierra circular se haya parado completamente antes de devolver el disco de sierra circular a su posición completamente elevada.

► **Fig.41:** 1. Tornillo de apriete manual

## Corte de deslizamiento (empujando) (corte de piezas de trabajo anchas)

**⚠ADVERTENCIA:** Siempre que realice un corte de deslizamiento, primero tire del carro hacia usted completamente y presione la empuñadura hacia abajo completamente, después empuje el carro hacia la guía lateral. No inicie nunca el corte sin haber tirado del carro completamente hacia usted. Si realiza el corte de deslizamiento sin haber tirado del carro completamente hacia usted podrá producirse un retroceso brusco inesperado y resultar en heridas personales graves.

**⚠ADVERTENCIA:** No intente nunca realizar un corte de deslizamiento tirando del carro hacia usted. Si tira del carro hacia usted durante el corte podrá ocasionar un retroceso brusco inesperado resultando en posibles heridas personales graves.

**⚠ADVERTENCIA:** No realice nunca el corte de deslizamiento con la empuñadura bloqueada en la posición bajada.

1. Afloje el tornillo de apriete manual de forma que el carro se pueda deslizar libremente.
  2. Sujete la pieza de trabajo con el tipo de mordaza apropiado.
  3. Tire del carro hacia usted completamente.
  4. Encienda la herramienta sin que el disco de sierra circular esté tocando nada y espere hasta que el disco alcance plena velocidad.
  5. Presione la empuñadura hacia abajo y empuje el carro hacia la guía lateral y a través de la pieza de trabajo.
  6. Cuando haya completado el corte, apague la herramienta y espere hasta que el disco se haya parado completamente antes de devolver el disco a su posición completamente elevada.
- **Fig.42:** 1. Tornillo de apriete manual

## Corte en inglete

Consulte la sección para el ajuste del ángulo de inglete.

## Corte en bisel

**⚠ ADVERTENCIA:** Después de ajustar el disco para un corte en bisel, asegúrese de que el carro y el disco podrán desplazarse libremente a todo lo largo de rango del corte que piensa hacer antes de utilizar la herramienta. Una interrupción del desplazamiento del carro o el disco durante la operación de corte puede resultar en un retroceso brusco y a heridas personales graves.

**⚠ ADVERTENCIA:** Mientras esté haciendo un corte en bisel, mantenga las manos alejadas de la trayectoria del disco. El ángulo del disco puede confundir al operario sobre la trayectoria real del disco durante el corte y el contacto con el disco resultará en heridas personales graves.

**⚠ ADVERTENCIA:** El disco no deberá ser subido hasta que se haya parado completamente. Durante un corte en bisel, la pieza cortada podrá detenerse contra el disco. Si sube el disco mientras está girando, la pieza cortada podrá ser expulsada por el disco haciendo que el material se fragmente, lo que puede resultar en heridas personales graves.

**AVISO:** Cuando presione hacia abajo la empuñadura, aplique fuerza paralela al disco. Si la fuerza es aplicada perpendicularmente a la base giratoria o si se cambia la dirección de la presión durante el corte, la precisión de corte se deteriorará.

1. Ajuste la guía deslizante en la izquierda para evitar que el carro haga contacto.
2. Desbloquee el pasador de retención y afloje el tornillo de apriete manual del brazo de forma que el carro se pueda elevar y deslizar libremente.
3. Ajuste el ángulo de bisel de acuerdo con el procedimiento explicado en la sección para el ajuste del ángulo de bisel. Después apriete el mango.
4. Sujete la pieza de trabajo con una mordaza.
5. Tire del carro hacia usted completamente.
6. Encienda la herramienta sin que el disco de sierra circular esté tocando nada y espere hasta que el disco de sierra circular alcance plena velocidad.
7. Baje con cuidado la empuñadura hasta la posición completamente bajada mientras aplica presión en dirección paralela al disco de sierra circular y **empuje el carro hacia la guía lateral para cortar la pieza de trabajo.**
8. Cuando haya completado el corte, apague la herramienta y **espere hasta que el disco de sierra circular se haya parado completamente** antes de devolver el disco a su posición completamente elevada.

► Fig.43

## Corte compuesto

El corte compuesto es el procedimiento en el que se hace un ángulo de bisel al mismo tiempo que se corta un ángulo de inglete en una pieza de trabajo. El corte compuesto se puede realizar a los ángulos mostrados en la tabla.

Ángulo de inglete	Ángulo de bisel
Izquierdo y derecho 0° - 45°	Izquierdo 0° - 45°

Cuando vaya a realizar un corte compuesto, consulte la sección para corte por presión, corte de deslizamiento (empujando), corte en inglete y corte en bisel.

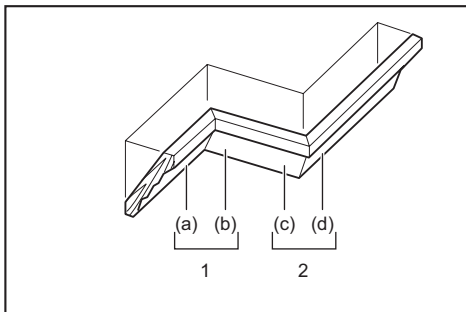
## Corte de molduras corona y cóncavas

Las molduras corona y cóncavas pueden cortarse en una sierra de inglete mixta con las molduras apoyadas horizontalmente en la base giratoria.

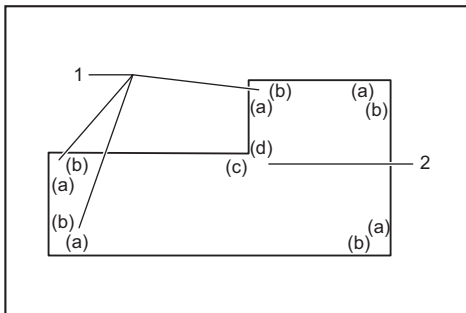
Existen dos tipos comunes de molduras corona y un tipo de moldura cóncava; moldura corona de ángulo mural de 52/38°, moldura corona de ángulo mural de 45° y moldura cóncava de ángulo mural de 45°.

► Fig.44: 1. Moldura corona tipo 52/38° 2. Moldura corona tipo 45° 3. Moldura cóncava tipo 45°

Existen juntas de moldura corona y cóncava que han sido hechas para encajar en esquinas "interiores" de 90° ((a) y (b) en la figura) y esquinas "exteriores" de 90° ((c) y (d) en la figura).



1. Esquina interior 2. Esquina exterior



1. Esquina interior 2. Esquina exterior

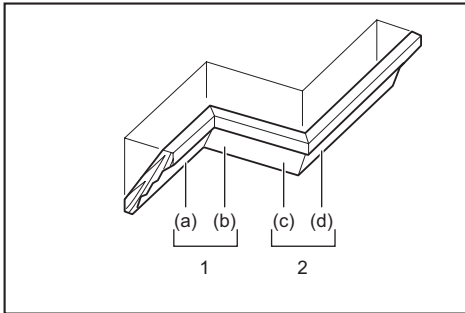
## Medición

Mida la anchura de la pared, y ajuste la anchura de la pieza de trabajo de acuerdo con esto. Asegúrese siempre de que la anchura del borde de contacto con la pared de la pieza de trabajo es la misma que la longitud de la pared.

- **Fig.45:** 1. Pieza de trabajo 2. Anchura de la pared 3. Anchura de la pieza de trabajo 4. Borde de contacto con la pared

Utilice siempre varias piezas para realizar cortes de prueba a fin de comprobar los ángulos de la sierra. Cuando vaya a cortar molduras corona y cóncavas, ajuste el ángulo de bisel y el ángulo de inglete como se indica en la tabla (A) y posicione las molduras sobre la superficie superior de la base de la sierra como se indica en la tabla (B).

## En el caso de corte en bisel izquierdo



1. Esquina interior 2. Esquina exterior

Tabla (A)

-	Posición de la moldura en la figura	Ángulo de bisel		Ángulo de inglete	
		Tipo 52/38°	Tipo 45°	Tipo 52/38°	Tipo 45°
Para esquina interior	(a)	Izquierdo 33,9°	Izquierdo 30°	Derecho 31,6°	Derecho 35,3°
	(b)			Izquierdo 31,6°	Izquierdo 35,3°
Para esquina exterior	(c)			Derecho 31,6°	Derecho 35,3°
	(d)				

Tabla (B)

-	Posición de la moldura en la figura	Borde de moldura contra la guía lateral	Pieza acabada
Para esquina interior	(a)	El borde de contacto con el techo debe estar contra la guía lateral.	La pieza acabada estará en el lado izquierdo del disco de sierra circular.
	(b)	El borde de contacto con la pared debe estar contra la guía lateral.	
Para esquina exterior	(c)	El borde de contacto con el techo debe estar contra la guía lateral.	La pieza acabada estará en el lado derecho del disco de sierra circular.
	(d)	El borde de contacto con el techo debe estar contra la guía lateral.	

Ejemplo:

En el caso de corte de moldura corona tipo 52/38° para posición (a) en la figura de arriba:

- Inclíne y sujete el ajuste de ángulo de bisel para 33,9° IZQUIERDO.
- Ajuste y sujete el ajuste de ángulo de inglete para 31,6° DERECHO.
- Apoye la moldura corona con su superficie posterior vasta (oculta) hacia abajo sobre la base giratoria con su BORDE DE CONTACTO CON EL TECHO contra la guía lateral en la sierra.
- La pieza acabada a utilizar estará siempre en el lado IZQUIERDO del disco de sierra circular después de haber realizado el corte.

## Corte de extrusión de aluminio

Cuando sujete extrusiones de aluminio, utilice bloques espaciadores o piezas de desecho como se muestra en la figura para evitar la deformación del aluminio. Utilice un lubricante para cortar cuando corte extrusión de aluminio para evitar la acumulación de material de aluminio en el disco de sierra circular.

**⚠ADVERTENCIA:** No intente nunca cortar extrusiones de aluminio gruesas o redondas. Las extrusiones de aluminio gruesas o redondas pueden resultar difíciles de sujetar y la pieza de trabajo se puede aflojar durante la operación de corte y resultar en una pérdida de control y heridas personales graves.

- **Fig.46:** 1. Mordaza 2. Bloque espaciador 3. Guía lateral 4. Extrusión de aluminio 5. Bloque espaciador

## Corte de longitudes repetitivas

Cuando vaya a cortar varias piezas de madera a la misma longitud, de entre 225 mm a 350 mm, empuje hacia arriba la placa de presión como se muestra en la figura. Sujete la pieza de trabajo en la posición para cortar. Deslice la base secundaria derecha de forma que la placa de presión quede a ras contra el extremo de la pieza de trabajo. Después sujete la base secundaria con el tornillo de apriete manual.

- **Fig.47:** 1. Placa de presión 2. Tornillo de apriete manual

## Ranurado

**⚠ADVERTENCIA:** No intente realizar este tipo de corte utilizando un disco de tipo más grueso o un disco de moldurar. Si intenta hacer un corte de ranura con un disco más grueso o disco de moldurar podrá resultar en un corte inesperado y en un retroceso brusco que puede resultar en heridas personales graves.

**⚠ADVERTENCIA:** Asegúrese de volver a poner el brazo de retención en la posición original cuando realice otros cortes que no sean de ranurado. Si intenta hacer cortes con el brazo de retención en una posición incorrecta podrá resultar en un corte inesperado y en un retroceso brusco que puede resultar en heridas personales graves.

Para corte tipo ranura, realice lo siguiente:

1. Ajuste la posición del límite inferior del disco de sierra circular utilizando el tornillo de ajuste y el brazo de retención para limitar la profundidad de corte del disco de sierra circular. Consulte la sección para el brazo de retención.
2. Después de ajustar la posición del límite inferior del disco de sierra circular, corte ranuras paralelas a lo ancho de la pieza de trabajo utilizando un corte de deslizamiento (empujando).  
► **Fig.48:** 1. Ranuras cortadas con el disco
3. Retire con un formón el material que queda entre las ranuras hechas en la pieza de trabajo.

## Transporte de la herramienta

Antes de transportar la herramienta, asegúrese de desenchufar la herramienta y que todas las partes móviles de la herramienta estén sujetadas. Compruebe siempre lo siguiente:

- La herramienta está desenchufada.
- El carro está en la posición de ángulo de bisel de 0° y sujetado.
- El carro está bajado y bloqueado.
- El carro está deslizado hacia usted completamente y bloqueado.
- La base giratoria está en la posición completa de ángulo de inglete derecho y sujetada.

Transporte la herramienta sujetando la empuñadura de transporte y un lateral de la base de la herramienta o sujetando ambos laterales de la base de la herramienta.

► **Fig.49**

► **Fig.50**

**⚠ADVERTENCIA:** El pasador de retención para elevación del carro es solamente para transportar, almacenar y ajustar y no para ninguna operación de corte. La utilización del pasador de retención para operaciones de corte podrá ocasionar un movimiento inesperado del disco de sierra circular resultando en un retroceso brusco y heridas personales graves.

**⚠PRECAUCIÓN:** Sujete siempre todas las partes móviles antes de transportar la herramienta. Si algunas partes de la herramienta se mueven o deslizan mientras se transporta, podrá producirse una pérdida del control o del equilibrio y resultar heridas personales.

**⚠PRECAUCIÓN:** Asegúrese de que la elevación del carro está bloqueada debidamente en su parte inferior con el pasador de retención. Si el pasador de retención no está accionado debidamente, el carro podrá saltar hacia arriba repentinamente y ocasionar heridas personales.

## MANTENIMIENTO

**⚠ADVERTENCIA:** Asegúrese siempre de que la herramienta está apagada y desenchufada antes de intentar realizar una inspección o mantenimiento. El no desenchufar y apagar la herramienta puede resultar en una puesta en marcha accidental de la herramienta y heridas personales graves.

**⚠ADVERTENCIA:** Asegúrese siempre de que el disco está afilado y limpio para obtener el mejor y más seguro rendimiento. El tratar de hacer un corte con un disco embotado y/o sucio puede ocasionar un retroceso brusco y resultar en heridas personales graves.

**AVISO:** No utilice nunca gasolina, bencina, disolvente, alcohol o similares. Podría producir descoloración, deformación o grietas.

Para mantener la SEGURIDAD y FIABILIDAD del producto, las reparaciones, y cualquier otra tarea de mantenimiento o ajuste deberán ser realizadas en centros de servicio o de fábrica autorizados por Makita, empleando siempre repuestos Makita.

## Ajuste del ángulo de corte

Esta herramienta ha sido ajustada y alineada cuidadosamente en fábrica, pero un manejo brusco podrá haber afectado la alineación. Si su herramienta no está debidamente alineada, realice lo siguiente:

### Ángulo de inglete

1. Bloquee el carro en la posición bajada con el pasador de retención. Empuje el carro hacia la guía lateral y apriete el tornillo de apriete manual para sujetar el carro.
2. Ajuste la base giratoria en la posición de 0° utilizando la función de parada positiva. (Déjela tal como está si el puntero no apunta a 0°).
3. Afloje los pernos de cabeza hueca hexagonal que sujetan la guía lateral utilizando la llave hexagonal.  
► **Fig.51:** 1. Pasador de retención 2. Tornillo de apriete manual 3. Pernos de cabeza hueca hexagonal
4. Escuadre el costado del disco con la cara de la guía lateral utilizando una escuadra o regla L. Después apriete firmemente los pernos de cabeza hueca hexagonal de la guía lateral en orden desde el lado derecho.  
► **Fig.52:** 1. Guía lateral 2. Escuadra
5. Si el puntero no apunta a 0°, afloje el tornillo que sujeta el puntero y ajuste el puntero de forma que apunte a 0°.  
► **Fig.53:** 1. Tornillo 2. Puntero 3. Escala de inglete

## Ángulo de bisel

### Ángulo de bisel de 0°

1. Bloquee el carro en la posición bajada con el pasador de retención. Empuje el carro hacia la guía lateral y apriete el tornillo de apriete manual para sujetar el carro.

2. Afloje la palanca. Después gire el perno de ajuste de 0° dos o tres vueltas hacia la izquierda para inclinar el disco de sierra circular hacia la derecha.

► **Fig.54:** 1. Palanca 2. Perno de ajuste de 0°

3. Escuadre cuidadosamente el costado del disco con la parte superior de la base giratoria utilizando la escuadra, regla L, etc., y girando el perno de ajuste de 0° hacia la derecha. Después apriete la palanca firmemente para sujetar el ángulo de 0° que ha ajustado.

► **Fig.55:** 1. Escuadra 2. Disco 3. Parte superior de la base giratoria

4. Si el puntero no apunta a 0°, afloje el tornillo que sujeta el puntero y ajústelo de forma que apunte a 0°.

► **Fig.56:** 1. Tornillo 2. Puntero 3. Escala de bisel

### Ángulo de bisel de 45°

**AVISO:** Antes de ajustar el ángulo de bisel de 45°, termine el ajuste de ángulo de bisel de 0°.

1. Apriete el tornillo de apriete manual para sujetar el carro.

2. Afloje la palanca. Después incline el carro completamente hacia la izquierda.

► **Fig.57:** 1. Tornillo de apriete manual 2. Palanca

3. Compruebe si el puntero indica la posición de 45° en la escala de ángulo de bisel.

Si el puntero no indica la posición de 45°, alinéelo con la posición de 45° girando el perno de ajuste de 45°.

► **Fig.58:** 1. Perno de ajuste de 45°

## Reemplazo de las escobillas de carbón

Extraiga y compruebe las escobillas de carbón regularmente. Reemplácelas cuando se hayan gastado hasta la marca de límite. Mantenga las escobillas de carbón limpias y de forma que entren libremente en los portaescobillas. Ambas escobillas de carbón deberán ser reemplazadas al mismo tiempo. Utilice únicamente escobillas de carbón idénticas.

► **Fig.59:** 1. Marca de límite

Utilice un destornillador para quitar los tapones portaescobillas. Extraiga las escobillas desgastadas, inserte las nuevas y vuelva a colocar los tapones portaescobillas.

► **Fig.60:** 1. Tapón portaescobillas

## Después de la utilización

Después de la utilización, limpie las virutas y el polvo adheridos a la herramienta con un paño o similar. Mantenga el protector de disco limpio de acuerdo con las indicaciones de la sección ya vista titulada "Protector de disco". Lubrique las partes deslizables con aceite para máquinas para evitar que se oxiden.

## ACCESORIOS OPCIONALES

**⚠ADVERTENCIA:** Estos accesorios o acoplamientos de Makita están recomendados para utilizar con su herramienta Makita especificada en este manual. La utilización de cualesquiera otros accesorios o acoplamientos puede resultar en heridas personales graves.

**⚠ADVERTENCIA:** Utilice el accesorio o acoplamiento Makita solamente para el propósito que ha sido diseñado. El uso indebido de un accesorio o acoplamiento puede resultar en heridas personales graves.

Si necesita cualquier ayuda para más detalles en relación con estos accesorios, pregunte al centro de servicio Makita local.

- Disco de acero y de dientes de carburo
- Mordaza vertical
- Bolsa de polvo
- Escuadra
- Llave hexagonal
- Juego de soporte

**NOTA:** Algunos elementos de la lista podrán estar incluidos en el paquete de la herramienta como accesorios estándar. Pueden variar de un país a otro.



# ESPECIFICAÇÕES

<b>Modelo:</b>		<b>LS0816F</b>
Diâmetro da lâmina		216 mm
Diâmetro do furo	Países europeus	30 mm
	Países além da Europa	25,4 mm ou 30 mm (específico para o país)
Espessura máx. de corte da lâmina de serra		2,8 mm
Ângulo de esquadria máx.		Para a esquerda em 47°, para a direita em 47°
Ângulo de bisel máx.		Para a esquerda em 47°, para a direita em 2°
Velocidade sem carga (RPM)		5.000 min <sup>-1</sup>
Dimensões (C x L x A)		476 mm x 705 mm x 521 mm
Peso líquido		13,9 kg
Classe de segurança		☐/II

- Devido a um programa contínuo de pesquisa e desenvolvimento, estas especificações podem ser alteradas sem aviso prévio.
- As especificações podem variar de país para país.
- Peso de acordo com o Procedimento EPTA 01/2014

## Capacidades de corte (A x L) com lâmina de serra de 216 mm de ø

Ângulo de esquadria	Ângulo de bisel		
	45° (esquerda)	0°	2° (direita)
0°	36 mm x 305 mm	65 mm x 305 mm	60 mm x 305 mm
45° (esquerdo e direito)	36 mm x 215 mm	65 mm x 215 mm	-

## Símbolos

A seguir são apresentados os símbolos que podem ser utilizados para o equipamento. Certifique-se de que compreende o seu significado antes da utilização.

	Leia o manual de instruções.
	ISOLAMENTO DUPLA
	Use óculos de segurança.
	Para evitar ferimentos provocados por resíduos projetados, mantenha a cabeça da serra virada para baixo, depois de efetuar cortes, até a lâmina de serra ficar completamente parada.
	Quando efetuar o corte correção, puxe primeiro o carreto até ao fim e empurre a pega para baixo e, em seguida, empurre o carreto em direção à placa guia.
	Não coloque a mão ou os dedos perto da lâmina de serra.
	Ajuste as placas deslizantes afastadas da lâmina de serra e do resguardo da lâmina de forma adequada.



Não olhe fixamente para a lâmpada em funcionamento.



Apenas para países da UE  
Devido à presença de componentes perigosos no equipamento, o equipamento elétrico e eletrónico usado pode ter um impacto negativo no meio ambiente e na saúde humana.

Não elimine aparelhos elétricos e eletrónicos juntamente com resíduos domésticos! De acordo com a Diretiva europeia relativa aos resíduos de equipamentos elétricos e eletrónicos e a respetiva adaptação à legislação nacional, os equipamentos elétricos e eletrónicos usados devem ser recolhidos separadamente e entregues num ponto de recolha separado para resíduos municipais, que opere de acordo com os regulamentos de proteção ambiental. Tal é indicado pelo símbolo de contentor de lixo com rodas barrado com uma cruz colocado no equipamento.

## Utilização a que se destina

A ferramenta destina-se a efetuar cortes de precisão, retos e de esquadria em madeira. Com lâminas de serra apropriadas, também é possível serrar alumínio. Para obter informações, consulte a secção relativa à OPERAÇÃO.

## Alimentação

A ferramenta só deve ser ligada a uma fonte de alimentação com a mesma tensão da indicada na placa de características, e só funciona com alimentação de corrente alterna (CA) monofásica. Tem um sistema de isolamento duplo e pode, por isso, utilizar tomadas sem ligação à terra.

## Ruído

A característica do nível de ruído A determinado de acordo com a EN62841-3-9:

Nível de pressão acústica ( $L_{pA}$ ) : 91 dB (A)

Nível de potência acústica ( $L_{WA}$ ) : 102 dB (A)

Variabilidade (K): 3 dB (A)

**NOTA:** O(s) valor(es) da emissão de ruído indicado(s) foi medido de acordo com um método de teste padrão e pode ser utilizado para comparar duas ferramentas.

**NOTA:** O(s) valor(es) da emissão de ruído indicado(s) pode também ser utilizado na avaliação preliminar da exposição.

**AVISO:** Utilize protetores auriculares.

**AVISO:** A emissão de ruído durante a utilização real da ferramenta elétrica pode diferir do(s) valor(es) indicado(s), dependendo das formas como a ferramenta é utilizada, especialmente o tipo de peça de trabalho que é processada.

**AVISO:** Certifique-se de identificar as medidas de segurança para proteção do operador que sejam baseadas em uma estimativa de exposição em condições reais de utilização (considerando todas as partes do ciclo de operação, tal como quando a ferramenta está desligada e quando está a funcionar em marcha lenta além do tempo de acionamento).

## Declarações de conformidade

### *Apenas para os países europeus*

As Declarações de conformidade estão incluídas no Anexo A deste manual de instruções.

## AVISOS DE SEGURANÇA

### Avisos gerais de segurança para ferramentas elétricas

**AVISO** Leia todos os avisos de segurança, instruções, ilustrações e especificações fornecidos com esta ferramenta elétrica. O incumprimento de todas as instruções abaixo enumeradas pode resultar em choque elétrico, incêndio e/ou ferimentos graves.

### Guarde todos os avisos e instruções para futuras referências.

O termo "ferramenta elétrica" nos avisos refere-se às ferramentas elétricas ligadas à corrente elétrica (com cabo) ou às ferramentas elétricas operadas por meio de bateria (sem cabo).

## Segurança da área de trabalho

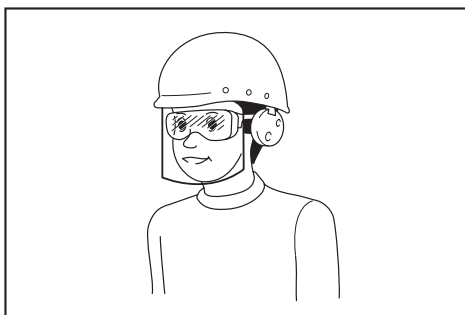
1. **Mantenha a área de trabalho limpa e bem iluminada.** As áreas desordenadas e escuras convidam a acidentes.
2. **Não opere as ferramentas elétricas em atmosferas explosivas, como na presença de líquidos, gases ou poeiras inflamáveis.** As ferramentas elétricas criam faíscas que podem inflamar as poeiras ou fumos.
3. **Mantenha as crianças e outras pessoas presentes afastadas enquanto utiliza a ferramenta elétrica.** As distrações podem fazê-lo perder o controlo.

## Segurança elétrica

1. **As fichas da ferramenta elétrica têm de corresponder à tomada. Nunca modifique a ficha de forma alguma. Não utilize nenhuma ficha adaptadora com ferramentas elétricas ligadas à terra (massa).** As fichas não modificadas e as tomadas correspondentes reduzirão o risco de choque elétrico.
2. **Evite o contacto do corpo com superfícies ligadas à terra ou à massa, como tubagens, radiadores, coberturas e arrefecedores.** Há um risco aumentado de choque elétrico se o seu corpo estiver ligado à terra ou à massa.
3. **Não exponha as ferramentas elétricas à chuva ou a condições de humidade.** Se entrar água numa ferramenta elétrica aumenta o risco de choque elétrico.
4. **Não force o cabo. Nunca utilize o cabo para transportar, puxar ou desligar a ferramenta elétrica da tomada. Mantenha o cabo afastado do calor, óleo, extremidades aguçadas ou peças em movimento.** Os cabos danificados ou emaranhados aumentam o risco de choque elétrico.
5. **Quando utilizar uma ferramenta elétrica no exterior, utilize um cabo de extensão adequado para utilização no exterior.** A utilização de um cabo adequado para utilização no exterior reduz o risco de choque elétrico.
6. **Se for inevitável utilizar uma ferramenta elétrica num local húmido, utilize uma alimentação protegida por um dispositivo de corrente residual (RCD).** A utilização de um RCD reduz o risco de choque elétrico.
7. **Recomendamos sempre a utilização da alimentação de corrente através do RCD com uma corrente residual classificada em 30 mA ou menos.**
8. **As ferramentas elétricas podem produzir campos eletromagnéticos (CEM) que não são nocivos para o utilizador.** Contudo, os utilizadores de marcapassos e de outros dispositivos médicos similares devem contactar o fabricante do seu dispositivo e/ou médico para obter aconselhamento antes de operar esta ferramenta elétrica.
9. **Não toque na ficha elétrica as mãos molhadas.**
10. **Se o cabo estiver danificado, solicite a respetiva reparação por parte do fabricante ou respetivo representante de modo a evitar um perigo de segurança.**

## Segurança pessoal

- 1. Mantenha-se alerta, tome atenção ao que está a fazer e utilize o senso comum quando utilizar uma ferramenta elétrica. Não utilize uma ferramenta elétrica se estiver cansado ou sob a influência de estupefacientes, álcool ou medicamentos.** Um momento de falta de atenção durante a utilização de uma ferramenta elétrica pode resultar em ferimentos pessoais graves.
- 2. Utilize equipamento de proteção pessoal. Use sempre óculos de proteção.** Os equipamentos de proteção, como uma máscara contra a poeira, calçado de segurança antiderrapante, capacete ou proteção auricular utilizados para as condições adequadas, reduzirão os ferimentos pessoais.
- 3. Previna o arranque não intencional. Certifique-se de que o interruptor está na posição de desligado antes de ligar a uma fonte de alimentação e/ou à bateria, pegar ou transportar a ferramenta.** Transportar as ferramentas elétricas com o dedo no interruptor ou dar energia a uma ferramenta elétrica que tenha o interruptor ligado, pode dar origem a acidentes.
- 4. Remova qualquer chave de ajuste antes de fornecer eletricidade à ferramenta elétrica.** Uma chave deixada ligada a uma peça rotativa da ferramenta elétrica pode resultar em ferimentos pessoais.
- 5. Não se estique demasiado. Mantenha sempre os pés bem assentes e em equilíbrio.** Isto permite um melhor controlo da ferramenta elétrica em situações inesperadas.
- 6. Vista-se adequadamente. Não use vestuário solto ou joalharia. Mantenha o cabelo e o vestuário afastados das peças em movimento.** O vestuário solto, a joalharia ou o cabelo comprido pode ser apanhado pelas peças em movimento.
- 7. Se forem fornecidos dispositivos para a ligação da instalação de extração e recolha de poeiras, certifique-se de que estão corretamente ligados e que são utilizados adequadamente.** A utilização de recolha de poeiras pode reduzir os perigos relacionados com as poeiras.
- 8. Não permita que a experiência conseguida com a utilização frequente das ferramentas o torne complacente e o fala ignorar os princípios de segurança da ferramenta.** Uma ação descuidada pode provocar ferimentos graves apenas numa fração de segundo.
- 9. Use sempre óculos de proteção para proteger os seus olhos contra lesões quando utilizar ferramentas elétricas. Os óculos de proteção devem cumprir os requisitos da ANSI Z87.1 nos EUA, EN 166 na Europa ou AS/NZS 1336 na Austrália/Nova Zelândia. Na Austrália/Nova Zelândia, é legalmente obrigatório o uso de um protetor facial para proteger o seu rosto também.**



**Cabe ao empregador a responsabilidade de impor o uso de equipamentos de proteção e segurança apropriados por parte dos operadores de ferramentas e por parte de outras pessoas na área de trabalho imediata.**

### Utilização e cuidados a ter com a ferramenta elétrica

- 1. Não force a ferramenta elétrica. Utilize a ferramenta elétrica correta para a aplicação.** A ferramenta elétrica correta fará o serviço melhor e de forma mais segura à velocidade para a qual foi concebida.
- 2. Não utilize a ferramenta elétrica se o interruptor não ligar e desligar a ferramenta.** Qualquer ferramenta elétrica que não possa ser controlada com o interruptor é perigosa e tem de ser reparada.
- 3. Desligue a ficha da fonte de alimentação e/ou remova o conjunto de baterias, caso removível, da ferramenta elétrica antes de proceder a ajustes, substituir acessórios ou guardar ferramentas elétricas.** Tais medidas de segurança preventivas reduzem o risco de arranque accidental da ferramenta elétrica.
- 4. Guarde as ferramentas elétricas que não estão a ser utilizadas fora do alcance das crianças e não permita que as pessoas que não estão familiarizadas com a ferramenta elétrica ou com estas instruções utilizem a ferramenta elétrica.** As ferramentas elétricas são perigosas nas mãos de utilizadores sem formação.
- 5. Realize a manutenção das ferramentas elétricas e acessórios. Verifique se as peças em movimento estão desalinhadas ou amolgadas, se as peças estão partidas, bem como se há outras condições que possam afetar o funcionamento da ferramenta elétrica. Se a ferramenta elétrica estiver danificada, mande repará-la antes da utilização.** Muitos acidentes são provocados por ferramentas elétricas com uma má manutenção.
- 6. Mantenha as ferramentas de corte afiadas e limpas.** Quando as ferramentas de corte com extremidades de corte afiadas recebem uma manutenção adequada, é menos provável que prendam e são mais fáceis de controlar.
- 7. Utilize a ferramenta elétrica, os acessórios e as brocas da ferramenta, etc. de acordo com estas instruções, tendo em conta as condições de trabalho e o trabalho a ser realizado.** A utilização da ferramenta elétrica para operações diferentes das pretendidas pode resultar em situações perigosas.

8. **Mantenha secas, limpas e sem óleo e graxa as pegas e as superfícies onde vai agarrar a ferramenta.** As pegas e as superfícies onde vai agarrar a ferramenta escorregadias não permitem o manuseamento seguro e o controlo da ferramenta em situações inesperadas.
9. **Quando utilizar a ferramenta, não use vestuário profissional ou luvas que possam ficar enredados.** O enredamento de vestuário profissional ou luvas nas peças móveis poderá resultar em lesão física.
6. **Não tente chegar mais próximo do que 100 mm por trás da placa com as duas mãos a partir dos dois lados da lâmina de serra para remover restos de madeira ou por qualquer outro motivo enquanto a lâmina estiver a rodar.** A proximidade da lâmina de serra em rotação em relação à sua mão poderá não ser óbvia e poderá sofrer lesões graves.
7. **Inspeccione a sua peça de trabalho antes de realizar o corte. Se a peça de trabalho for encurvada ou deformada, aperte-a com a face encurvada exterior virada para a placa. Certifique-se sempre de que não existe nenhuma lacuna entre a peça de trabalho, a placa e a mesa ao longo da linha de corte.** As peças de trabalho encurvadas ou deformadas podem torcer ou deslocar-se e causar empenamento na lâmina de serra em rotação durante o corte. A peça de trabalho não deve ter pregos ou objetos estranhos.

#### Assistência

1. **A ferramenta elétrica deve receber assistência por parte de pessoal qualificado que utilize apenas peças de substituição idênticas.** Isto garantirá que a segurança da ferramenta elétrica é mantida.
2. **Siga as instruções para lubrificação e mudança de acessórios.**

### Instruções de segurança para serras de esquadria

1. **As serras de esquadria destinam-se a cortar madeira ou produtos semelhantes a madeira, não podem ser utilizadas com rodas de corte abrasivas para cortar material ferroso, tal como barras, varões, pinos, etc.** A poeira abrasiva provoca o encravamento de peças móveis, tais como o resguardo inferior. As faíscas do corte abrasivo queimam o resguardo inferior, a inserção de corte e outras peças de plástico.
2. **Utilize braçadeiras para apoiar a peça de trabalho sempre que possível. Se apoiar a peça de trabalho manualmente, deve manter sempre as mãos afastadas pelo menos 100 mm de cada lado da lâmina de serra. Não utilize esta serra para cortar peças demasiado pequenas para serem apertadas ou seguras à mão.** Se a sua mão estiver colocada demasiado próxima da lâmina de serra, existe um maior risco de lesão devido ao contacto com a lâmina.
3. **A peça de trabalho deve estar fixa e apertada ou segura contra a placa e a mesa. Não alimente a peça de trabalho na lâmina nem corte “com as mãos livres” em qualquer direção.** As peças sem fixação ou móveis podem ser projetadas a altas velocidades, causando ferimentos.
4. **Empurre a serra através da peça de trabalho. Não puxe a serra através da peça de trabalho. Para realizar um corte, eleve a cabeça da serra e puxe-a para fora sobre a peça de trabalho sem realizar cortes, efetue o arranque do motor, pressione a cabeça da serra para baixo e empurre a serra através da peça de trabalho.** Cortar no tirante de puxar provavelmente faz com que a lâmina de serra suba para cima da peça de trabalho e atire violentamente a conjunto de lâmina na direção do operador.
5. **Nunca cruze a sua mão sobre a linha de corte pretendida, tanto à frente como atrás da lâmina de serra.** Apoiar a peça de trabalho “com as mãos cruzadas”, isto é, segurando a peça de trabalho do lado direito da lâmina de serra com a mão esquerda ou vice versa é muito perigoso.
8. **Não utilize a serra até que a mesa esteja desimpedida de todas as ferramentas, restos de madeira, etc., exceto da peça de trabalho.** Os pequenos resíduos ou pedaços soltos de madeira ou outros objetos que estabeleçam contacto com a lâmina em rotação podem ser projetados a alta velocidade.
9. **Corte apenas uma peça de trabalho de cada vez.** As peças de trabalho múltiplas empilhadas não podem ser apertadas ou fixadas adequadamente e podem prender na lâmina ou deslocar-se durante o corte.
10. **Assegure que a serra de esquadria está montada ou colocada numa superfície de trabalho nivelada e firme antes de ser utilizada.** Uma superfície de trabalho nivelada e firme reduz o risco de a serra de esquadria se tornar instável.
11. **Planeie o seu trabalho. Cada vez que altera a definição do ângulo de bisel e do ângulo de esquadria, certifique-se de que a placa ajustável está corretamente definida para apoiar a peça de trabalho e que não interfere com a lâmina ou o sistema de resguardo.** Sem “LIGAR” a ferramenta e sem qualquer peça de trabalho na mesa, mova a lâmina de serra através de um corte simulado completo, de modo a assegurar que não haverá interferência ou perigo de corte da placa.
12. **Assegure um apoio adequado, tal como extensões da mesa, cavaletes, etc. para uma peça de trabalho que é mais ampla ou mais comprida do que o topo da mesa.** As peças de trabalho mais compridas ou mais amplas do que a mesa da serra de esquadria podem virar se não estiverem apoiadas em segurança. Se a peça cortada ou a peça de trabalho virem, estas podem levantar o resguardo inferior ou serem projetadas pela lâmina em rotação.
13. **Não utilize outra pessoa como substituição de uma extensão de mesa ou um suporte adicional.** O apoio instável para a peça de trabalho pode fazer com que a lâmina fique presa ou a peça de trabalho se desloque durante a operação de corte, puxando-o a si e ao seu assistente na direção da lâmina em rotação.

► Fig.1

14. **A peça de corte não deve estar encravada ou ser pressionada por qualquer meio contra a lâmina de serra em rotação.** Se estiver limitada, isto é, utilizando batentes de comprimento, a peça de corte pode ficar entalada contra a lâmina e ser projetada com violência.
15. **Utilize sempre uma braçadeira ou uma fixação concebida para apoiar adequadamente material redondo, tal como varões ou tubagens.** Os varões têm tendência de se enrolar enquanto são cortados, fazendo com que a lâmina "morda" e puxe a peça de trabalho com a sua mão para a lâmina.
16. **Aguarde que o disco atinja a velocidade máxima antes de estabelecer contacto com a peça de trabalho.** Isto reduz o risco de projecção da peça de trabalho.
17. **Se a peça de trabalho ou a lâmina ficar encravada, desligue a serra de esquadria. Aguarde que todas as peças móveis parem e desligue a ficha da fonte de alimentação e/ou remova a bateria. Em seguida, trabalhe para soltar o material encravado.** A serração contínua com uma peça de trabalho encravada pode causar a perda de controlo ou danos na serra de esquadria.
18. **Após concluir o corte, solte o interruptor, segure a cabeça da serra para baixo e aguarde que a lâmina pare antes de remover a peça de corte.** É perigoso tentar alcançar a lâmina com a mão enquanto esta está a rodar por inércia.
19. **Utilize a lâmina de serra apenas com o diâmetro que está marcado na ferramenta ou especificado no manual.** A utilização de uma lâmina de serra de tamanho incorreto pode afetar o resguardo adequado da lâmina de serra ou o funcionamento do resguardo, o que pode resultar em ferimentos pessoais graves.
20. **Apenas use lâminas de serra marcadas com uma velocidade igual ou superior à velocidade marcada na ferramenta.**
21. **Não utilize a serra para cortar materiais diferentes dos especificados.**
22. **(Apenas para países europeus) Utilize sempre a lâmina que esteja em conformidade com a EN847-1, se concebida para madeira e materiais similares.**
5. **Mantenha as mãos afastadas do percurso da lâmina de serra. Evite entrar em contacto com qualquer lâmina de serra enquanto está a rodar por inércia. Mesmo assim, esta pode provocar ferimentos graves.**
6. **Para reduzir o risco de lesão, reposicione o carro na posição traseira completa após cada operação de corte transversal.**
7. **Fixe sempre os componentes móveis antes de proceder ao transporte da ferramenta.**
8. **O pino de bloqueio ou a alavanca de bloqueio que bloqueia a cabeça da serra para baixo serve apenas para fins de transporte e armazenamento e não para quaisquer operações de corte.**
9. **Verifique a lâmina de serra com cuidado quanto a fissuras ou danos antes da operação. Substitua imediatamente a lâmina de serra com fissuras ou danificada. A pastilha e o passo da madeira endurecidos nas lâminas de serra tornam a serra lenta e aumentam o potencial de recuo. Mantenha a lâmina de serra limpa, removendo-a primeiramente da ferramenta e, em seguida, limpando-a com removedor de pastilha e de passo, água quente ou querosene. Nunca utilize gasolina para limpar a lâmina de serra.**
10. **Enquanto efetua um corte correção pode ocorrer um RECUO. O RECUO ocorre quando a lâmina de serra prende na peça de trabalho durante uma operação de corte e a lâmina de serra é puxada rapidamente na direção do operador. Pode resultar na perda de controlo e em ferimentos pessoais graves. Se a lâmina de serra começar a prender durante uma operação de corte, não continue a cortar e solte o interruptor imediatamente.**
11. **Utilize exclusivamente as flanges especificadas para esta ferramenta.**
12. **Tenha cuidado para não danificar o eixo, as flanges (especialmente a superfície de instalação) ou o perno. Os danos nestes componentes podem provocar a quebra da lâmina de serra.**
13. **Certifique-se de que a base giratória está bem fixa, de modo a que não se movimente durante a operação. Utilize os furos na base para apertar a serra a uma plataforma de trabalho estável ou bancada. NUNCA utilize a ferramenta no caso em que o posicionamento do operador fosse considerado estranho.**

#### Instruções adicionais

1. **Feche a oficina com cadeados para segurança das crianças.**
2. **Nunca se coloque sobre a ferramenta. Podem ocorrer lesões graves se a ferramenta virar ou se estabelecer contacto inadvertidamente com a ferramenta de corte.**
3. **Nunca deixa a ferramenta ligada sem supervisão. Desligue a ferramenta. Não deixe a ferramenta sem supervisão antes de estar completamente parada.**
4. **Não utilize a serra sem os resguardos montados. Verifique se o resguardo da lâmina se encontra devidamente fechado antes de cada utilização. Não trabalhe com a serra se o resguardo da lâmina não se movimentar livremente e fechar instantaneamente. Nunca fixe nem prenda o resguardo da lâmina em posição aberta.**
14. **Certifique-se de que soltou o travão do eixo antes de ligar o interruptor.**
15. **Certifique-se de que, na posição mais baixa, a lâmina de serra não fica em contacto com a base giratória.**
16. **Agarre na pega com firmeza. Tenha em conta que a serra se movimentará um pouco para cima e para baixo, durante o arranque e a paragem da ferramenta.**
17. **Certifique-se de que a lâmina de serra não está em contacto com a peça de trabalho antes de ligar o interruptor.**

18. Antes de utilizar a ferramenta numa peça de trabalho efetiva, deixe-a funcionar por alguns instantes. Verifique se existem vibrações ou oscilações que possam indicar uma má instalação ou uma lâmina de serra mal equilibrada.
19. Pare a ferramenta de imediato se notar algo no funcionamento que não seja normal.
20. Não tente bloquear o gatilho na posição de ligado.
21. Utilize sempre os acessórios recomendados neste manual. A utilização de acessórios inadequados tais como rodas abrasivas podem dar origem a lesões.
22. Algum material contém produtos químicos que podem ser tóxicos. Tenha cuidado para evitar a inalação de poeira e o contacto com a pele. Respeite os dados de segurança do fornecedor do material.

Normas de segurança adicionais para a lâmpada em funcionamento

1. Não olhe diretamente para a luz ou para a fonte de iluminação.

## GUARDE ESTAS INSTRUÇÕES.

**⚠️ AVISO:** NÃO permita que o conforto ou familiaridade com o produto (adquirido com o uso repetido) substitua o cumprimento estrito das regras de segurança da ferramenta. A MÁ INTERPRETAÇÃO ou o não seguimento das regras de segurança estabelecidas neste manual de instruções pode provocar ferimentos pessoais graves.

## DESCRIÇÃO DAS PEÇAS

► Fig.2

1	Parafuso de ajuste (para posição de limite inferior)	2	Placa de retenção	3	Saco do pó	4	Parafuso de orelhas (para deslizamento de carreto)
5	Ponteiro (para ângulo de bisel)	6	Escala do ângulo de bisel	7	Braçadeira deslizante	8	Torno vertical
9	Placa deslizante	10	Perno de ajuste de 0° (para ângulo de bisel)	11	Placa guia	12	Sub-base
13	Base giratória	14	Escala do ângulo de esquadria	15	Ponteiro (para ângulo de esquadria)	16	Placa de corte
17	Perno de ajuste (para base giratória)	18	Alavanca de bloqueio (para base giratória)	19	Punho (para base giratória)	20	Resguardo de recolha de pó
21	Resguardo da lâmina	22	Lâmpada	23	Pega (para operação)	24	Gatilho do interruptor
25	Furo para o cadeado	26	Botão de segurança	27	Pega de transporte	-	-

► Fig.3

1	Interruptor da lâmpada	2	Travão do eixo	3	Perno de regulação (para a capacidade máxima de corte)	4	Pino de bloqueio (para elevação de carreto)
5	Placa de apoio	6	Chave hexagonal	7	Perno de ajuste de 45° (para ângulo de bisel)	8	Alavanca (para ângulo de bisel)
9	Botão de libertação (para ângulo de bisel)	-	-	-	-	-	-

## INSTALAÇÃO

### Montagem da bancada

**⚠️ AVISO:** Certifique-se de que a ferramenta não se move na superfície de suporte. O movimento da serra de esquadria sobre a superfície de suporte durante o corte pode resultar em perda de controlo e provocar ferimentos pessoais graves.

1. Fixe a base numa superfície nivelada e estável, aparafusando com os pernos. Isto ajuda a evitar que tombe e a evitar possíveis ferimentos.

► Fig.4: 1. Perno 2. Orifício de montagem

2. Rode o perno de regulação para a direita ou esquerda de modo a que fique em contacto com a superfície para manter a ferramenta estável.

► Fig.5: 1. Perno de regulação



## DESCRIÇÃO FUNCIONAL

**⚠️ AVISO:** Certifique-se sempre de que a ferramenta está desligada e retirada da tomada antes de regular ou verificar o funcionamento da ferramenta. Se não desligar a ferramenta e retirar a ficha da tomada pode resultar em lesões físicas graves devido ao arranque acidental.

### Bloqueio da pega

**⚠️ PRECAUÇÃO:** Segure sempre a pega quando soltar o pino de bloqueio. Caso contrário, a pega salta para cima e pode resultar em ferimentos pessoais.

Quando a ferramenta é enviada, a pega está bloqueada na posição inferior com o pino de bloqueio. Para desbloquear a pega, puxe o pino de bloqueio enquanto desce a pega ligeiramente.

► **Fig.6:** 1. Pino de bloqueio

### Bloqueio contra deslizamento

Para permitir o movimento de deslizamento do carreto, solte o parafuso de orelhas no braço. Para bloquear o movimento de deslizamento do carreto, mova o carreto para a sua posição pretendida e, em seguida, aperte firmemente o parafuso de orelhas.

► **Fig.7:** 1. Parafuso de precisão 2. Braço

### Resguardo da lâmina

**⚠️ AVISO:** Nunca estrague nem remova o resguardo da lâmina ou a mola que está presa no resguardo. Se estragar o resguardo, a lâmina de serra circular exposta pode provocar ferimentos pessoais graves durante o funcionamento.

**⚠️ AVISO:** Nunca utilize a ferramenta se o resguardo da lâmina ou a mola estiverem danificados, avariados ou removidos. O funcionamento da ferramenta com um resguardo danificado, avariado ou removido pode provocar ferimentos pessoais graves.

**⚠️ PRECAUÇÃO:** Mantenha sempre o resguardo da lâmina em boas condições para funcionamento seguro. Pare a operação imediatamente se existirem irregularidades no resguardo da lâmina. Verifique para se assegurar que o retorno do resguardo com a mola funciona bem.

Ao descer a pega, o resguardo da lâmina sobe automaticamente. O resguardo dispõe de um dispositivo de mola pelo que volta à posição original depois de concluído o corte e quando se ergue a pega.

► **Fig.8:** 1. Resguardo da lâmina

## Limpeza

Se o resguardo da lâmina transparente ficar sujo ou se aderir serradura ao resguardo da lâmina transparente de modo que a lâmina de serra circular e/ou a peça de trabalho deixem de ser facilmente visíveis, desligue a ferramenta da tomada e limpe cuidadosamente o resguardo com um pano húmido. Não utilize solventes nem quaisquer produtos de limpeza à base de petróleo no resguardo em plástico, pois tal pode causar danos no resguardo. Siga as instruções passo a passo indicadas sobre como efetuar a preparação para a limpeza.

1. Certifique-se de que a ferramenta está desligada e retirada da tomada.
2. Rode o perno de encaixe hexagonal para a esquerda utilizando a chave hexagonal fornecida para segurar a cobertura central.
3. Levante o resguardo da lâmina e a cobertura central.
4. Quando a limpeza estiver concluída, volte a colocar a cobertura central e aperte o perno de encaixe hexagonal realizando os passos indicados acima pela ordem inversa.

► **Fig.9:** 1. Chave hexagonal 2. Perno de encaixe hexagonal 3. Cobertura central 4. Resguardo da lâmina

**⚠️ AVISO:** Não remova a mola que prende o resguardo da lâmina. Se o resguardo ficar danificado com o decorrer do tempo ou pela ação dos raios UV, contacte um centro de assistência Makita para substituição. **NÃO FORCE NEM DESMONTE O RESGUARDO.**

### Posicionar as placas de corte

Esta ferramenta é fornecida com placas de corte na base giratória para minimizar a produção de estilhaços no lado de saída de um corte. As placas de corte foram ajustadas na fábrica de modo que a lâmina de serra circular não entre em contacto com as placas de corte. Antes da utilização regule as placas de corte como se segue:

1. Certifique-se de que a ferramenta está desligada da tomada. Em seguida, desaperte todos os parafusos (três em cada lado esquerdo e direito) que prendem as placas de corte.
2. Volte a apertá-los de modo que as placas de corte sejam facilmente movimentadas com a mão.
3. Desça completamente a pega e, em seguida, bloqueie a pega na posição inferior com o pino de bloqueio.

4. Solte o parafuso de orelhas no braço que prende o movimento de deslizamento do carreto.

Puxe o carreto completamente para si.

► **Fig.11:** 1. Parafuso de precisão 2. Braço

5. Ajuste as placas de corte de modo que fiquem perto dos lados dos dentes da lâmina de serra.

► **Fig.12**

► **Fig.13:** 1. Lâmina de serra circular 2. Dentes da lâmina 3. Placa de corte 4. Corte de bisel à esquerda 5. Corte direito

6. Aperte os parafusos da frente (não aperte demasiado).
7. Deslize o carroto para a posição entre a extremidade dianteira das placas de corte e as placas guia. Ajuste as placas de corte de modo que fiquem perto dos lados dos dentes da lâmina de serra.
8. Aperte os parafusos centrais (não aperte demasiado).
9. Empurre o carroto completamente em direção às placas guia e, em seguida, ajuste as placas de corte de modo que fiquem perto dos lados dos dentes da lâmina de serra.
10. Aperte os parafusos de trás (não aperte demasiado).
11. Solte o pino de bloqueio para o bloqueio da pega e eleve a pega. Em seguida, aperte todos os parafusos firmemente.

**OBSERVAÇÃO:** Depois de ajustar o ângulo de bisel, certifique-se de que as placas de corte estão corretamente ajustadas. O ajuste correto das placas de corte ajuda a proporcionar um suporte adequado à peça de trabalho, minimizando o desgaste da peça de trabalho.

## Manter a máxima capacidade de corte

Esta ferramenta foi ajustada na fábrica para fornecer a máxima capacidade de corte para uma lâmina de serra circular de 216 mm.

Quando instalar uma nova lâmina de serra circular, verifique sempre a posição de limite inferior da lâmina de serra circular e, se necessário, ajuste-a como se segue:

1. Desligue a ferramenta da tomada. Em seguida, empurre o carroto em direção à placa guia até ao fim e desça a pega completamente.
2. Utilize a chave hexagonal (lado da chave de parafusos) para rodar o perno de ajuste até a lâmina de serra circular entrar ligeiramente abaixo da secção transversal da placa guia e da superfície superior da base giratória.
  - Fig.14: 1. Perno de ajuste 2. Placa guia
  - Fig.15
3. Rode a lâmina de serra circular com a mão enquanto agarra a pega completamente para baixo para se certificar de que a lâmina de serra circular não fica em contacto com qualquer parte da base inferior. Volte a ajustar a capacidade de corte máxima, se necessário.

**AVISO:** Depois de instalar uma nova lâmina de serra circular e com a ferramenta desligada da tomada, certifique-se sempre de que a lâmina de serra circular não fica em contacto com qualquer parte da base inferior quando a pega se encontra totalmente baixada. Se a lâmina de serra circular entrar em contacto com a base, tal pode causar um recuo e provocar ferimentos pessoais graves.

► Fig.16

## Placa de retenção

A posição de limite inferior da lâmina de serra pode ser facilmente ajustada com a placa de retenção. Para ajustar o limite inferior, rode a placa de retenção na direção da seta conforme apresentado na figura. Rode o parafuso de ajuste de modo que a lâmina de serra pare na posição pretendida quando descer a pega completamente.

► Fig.17: 1. Placa de retenção 2. Parafuso de ajuste

## Regulação do ângulo de esquadria

**PRECAUÇÃO:** Depois de mudar o ângulo de esquadria, prenda sempre a base giratória apertando firmemente o punho.

**OBSERVAÇÃO:** Ao fazer rodar a base giratória, certifique-se de que levanta a pega totalmente.

Rode o punho para a esquerda para desbloquear a base giratória. Rode o punho enquanto pressiona a alavanca de bloqueio para cima para mover a base giratória. Alinhe o ponteiro com o ângulo pretendido na escala do ângulo de esquadria e, em seguida, aperte o punho.

► Fig.18: 1. Alavanca de bloqueio 2. Punho  
3. Ponteiro

## Função de paragem positiva

Esta serra de esquadria utiliza uma função de paragem positiva. Pode ajustar rapidamente um ângulo de esquadria com 0°, 15°, 22,5°, 31,6° e 45° à direita/à esquerda. Para utilizar esta função, mova a base giratória próximo do ângulo de paragem positiva pretendido enquanto pressiona a alavanca de bloqueio para cima. Em seguida, solte a alavanca de bloqueio e mova a base giratória para o ângulo de paragem positiva pretendido até a base giratória ficar bloqueada.

## Regulação do ângulo de bisel

**PRECAUÇÃO:** Depois de mudar o ângulo de bisel, prenda sempre o braço apertando a alavanca para a direita.

**OBSERVAÇÃO:** Remova sempre o torno vertical antes de ajustar o ângulo de bisel.

**OBSERVAÇÃO:** Quando inclinar a lâmina de serra circular, certifique-se de que o carroto está totalmente elevado.

**OBSERVAÇÃO:** Quando mudar os ângulos de bisel, certifique-se de que reposiciona as placas de corte corretamente conforme explicado na secção para posicionar as placas de corte.

**OBSERVAÇÃO:** Não aperte a alavanca em demasia. Se o fizer, pode causar uma avaria do mecanismo de bloqueio do ângulo de bisel.

## Inclinar a lâmina de serra circular para a esquerda entre 0° - 45°

1. Rode a alavanca para a esquerda.
2. Segure a pega e incline o carreto para a esquerda.
3. Alinhe o ponteiro com o ângulo pretendido na escala do ângulo de bisel.

4. Aperte a alavanca para a direita para prender o braço.

► **Fig.19:** 1. Alavanca 2. Pega 3. Ponteiro 4. Escala do ângulo de bisel

## Inclinar a lâmina de serra circular além do lado esquerdo entre 0° - 45°

1. Rode a alavanca para a esquerda.
2. Segure a pega e coloque o carreto a 0° para o lado de 2° à direita ou a 45° para o lado de 47° à esquerda.
3. Incline o carreto ligeiramente para o lado oposto.
4. Prima o botão de libertação.
5. Incline o carreto para a posição pretendida além do intervalo entre 0° - 45°.
6. Aperte a alavanca para a direita para prender o braço.

Quando inclinar o carreto para a direita em 2°

► **Fig.20:** 1. Alavanca 2. Pega 3. Botão de libertação

Quando inclinar o carreto para a esquerda em 47°

► **Fig.21:** 1. Alavanca 2. Pega 3. Botão de libertação

## Ação do interruptor

**AVISO:** Antes de ligar a ferramenta à corrente elétrica, certifique-se sempre de que o gatilho do interruptor funciona corretamente e volta para a posição de desligado quando libertado. Não carregue a fundo o gatilho do interruptor sem pressionar o botão de segurança. Esta ação pode estragar o interruptor. Utilizar uma ferramenta com um interruptor que não opera devidamente, pode provocar a perda de controlo e resultar em ferimentos pessoais graves.

**AVISO:** NUNCA utilize a ferramenta sem que esta disponha de um gatilho totalmente operacional. Qualquer ferramenta com um interruptor inoperante é ALTAMENTE PERIGOSA e tem de ser reparada antes de ser utilizada novamente, caso contrário pode causar ferimentos pessoais graves.

**AVISO:** NUNCA tente anular o botão de desbloqueio dando-lhe pancadas para baixo nem por qualquer outro meio. Um interruptor com um botão de desbloqueio anulado pode resultar em operação não intencional e em ferimentos pessoais graves.

**AVISO:** NUNCA utilize a ferramenta se ela funcionar premindo apenas o gatilho, sem ter de carregar no botão de desbloqueio. Um interruptor que necessita de reparação pode resultar em operação não intencional e em ferimentos pessoais graves. Envie a ferramenta para um centro de assistência da Makita para receber uma reparação adequada ANTES de voltar a utilizá-la.

Para evitar que o gatilho do interruptor seja acidentalmente acionado, existe um botão de segurança. Para iniciar a ferramenta pressione o botão de segurança e carregue no gatilho do interruptor. Liberte o gatilho do interruptor para parar.

Há um furo no gatilho do interruptor para instalar um cadeado e travar a ferramenta.

► **Fig.22:** 1. Gatilho do interruptor 2. Botão de segurança 3. Furo para o cadeado

**AVISO:** Não utilize um cadeado com haste ou cabo inferior a 6,35 mm de diâmetro. Uma haste ou cabo menor pode não travar corretamente a ferramenta na posição de desligada e o funcionamento acidental pode provocar ferimentos pessoais graves.

## Projetar uma linha de corte

**PRECAUÇÃO:** A lâmpada não é à prova de chuva. Não lave a lâmpada com água nem a utilize numa área exposta a chuva ou a humidade. Uma conduta desta natureza pode causar choque elétrico e fumo.

**PRECAUÇÃO:** Não toque na lente da lâmpada, dado estar muito quente enquanto está acesa ou logo após ser desligada. Tal pode provocar queimaduras.

**PRECAUÇÃO:** Não aplique impacto na lâmpada, o que poderá causar danos ou um tempo de serviço curto da mesma.

**PRECAUÇÃO:** Não olhe para a luz ou para a fonte de iluminação diretamente.

A lâmpada LED projeta uma luz sobre a lâmina de serra circular e uma sombra da lâmina de serra cai sobre uma peça de trabalho servindo como um indicador de linha de corte sem calibração. Prima o interruptor da lâmpada para iluminar. Surge uma linha onde a lâmina de serra entra em contacto com a superfície da peça de trabalho, ficando aprofundada à medida que a lâmina de serra é descida.

► **Fig.23:** 1. Interruptor da lâmpada 2. Lâmpada 3. Linha de corte

O indicador ajuda a cortar uma linha de corte existente marcada a lápis numa peça de trabalho.

1. Segure a pega e desça a lâmina de serra circular de modo que uma sombra densa da lâmina de serra seja projetada contra uma peça de trabalho.

2. Alinhe uma linha de corte traçada na peça de trabalho com a linha de corte sombreada.

3. Ajuste os ângulos de esquadria e os ângulos de bisel, se necessário.

**NOTA:** Certifique-se de que desliga o interruptor da lâmpada após a utilização. Caso contrário, a lâmpada fica quente.

# MONTAGEM

**⚠️ AVISO:** Certifique-se sempre de que a ferramenta está desligada e retirada da tomada antes de trabalhar na ferramenta. Se não desligar a ferramenta e retirar a ficha da tomada pode resultar em lesões físicas graves.

## Armazenamento da chave hexagonal

Quando não a estiver a utilizar, guarde a chave hexagonal como indicado na figura para não a perder.

► **Fig.24:** 1. Chave hexagonal

## Instalar ou remover a lâmina de serra circular

**⚠️ AVISO:** Certifique-se sempre de que a ferramenta está desligada e retirada da tomada antes de remover e instalar a lâmina de serra circular. O arranque acidental da ferramenta pode resultar em ferimentos pessoais graves.

**⚠️ AVISO:** Utilize apenas a chave Makita fornecida para remover e instalar a lâmina de serra circular. Se não utilizar a chave pode resultar em aperto excessivo ou insuficiente do perno de encaixe hexagonal e em lesões físicas graves.

**⚠️ AVISO:** Nunca utilize ou substitua as peças que não sejam fornecidas com esta ferramenta. A utilização de tais peças pode provocar ferimentos pessoais graves.

**⚠️ AVISO:** Depois de instalar a lâmina de serra circular, certifique-se sempre de que está firmemente instalada. Um aperto insuficiente da lâmina de serra circular pode provocar ferimentos pessoais graves.

## Preparativos comuns para instalar ou remover a lâmina de serra circular

1. Desbloqueie o carroto puxando o pino de bloqueio e, em seguida, mova o carroto para a posição elevada.
2. Solte o perno de encaixe hexagonal que prende a cobertura central utilizando a chave hexagonal. Em seguida, levante o resguardo da lâmina e a cobertura central.

► **Fig.25:** 1. Chave hexagonal 2. Perno de encaixe hexagonal 3. Cobertura central 4. Resguardo da lâmina

## Instalar a lâmina de serra circular

**⚠️ PRECAUÇÃO:** Certifique-se de que instala a lâmina de serra circular de modo que a direção da seta na lâmina de serra circular corresponda à direção da seta na caixa da lâmina. O incumprimento desta instrução pode resultar em ferimentos pessoais e causar danos na ferramenta e/ou na peça de trabalho.

1. Efetue os passos indicados em “Preparativos comuns para instalar ou remover a lâmina de serra circular”.

2. Pressione o travão do veio para prender o eixo e utilize a chave hexagonal para libertar o perno de encaixe hexagonal para a direita. Em seguida, remova o perno de encaixe hexagonal, a flange exterior e a lâmina de serra circular.

► **Fig.26:** 1. Perno de encaixe hexagonal (rosca para a esquerda) 2. Flange exterior 3. Travão do eixo

3. Monte cuidadosamente a lâmina de serra circular na flange interior. Certifique-se de que a direção da seta na lâmina de serra circular corresponde à direção da seta na caixa da lâmina.

► **Fig.27:** 1. Seta

4. Instale a flange exterior e o perno de encaixe hexagonal. Aperte firmemente o perno de encaixe hexagonal (esquerdo) para a esquerda utilizando a chave hexagonal enquanto pressiona o travão do eixo.

► **Fig.28:** 1. Perno de encaixe hexagonal (lado esquerdo) 2. Flange exterior 3. Lâmina de serra circular 4. Anel 5. Flange interior 6. Veio

► **Fig.29:** 1. Perno de encaixe hexagonal (rosca para a esquerda) 2. Flange exterior 3. Travão do eixo

5. Volte a colocar o resguardo da lâmina e a cobertura central na sua posição original. Em seguida, aperte o perno de encaixe hexagonal da cobertura central para a prender.

Desça o carroto e verifique se o resguardo da lâmina se desloca corretamente.

► **Fig.30:** 1. Chave hexagonal 2. Perno de encaixe hexagonal 3. Cobertura central 4. Resguardo da lâmina

## Remover a lâmina de serra circular

1. Efetue os passos indicados em “Preparativos comuns para instalar ou remover a lâmina de serra circular”.

2. Pressione o travão do eixo para bloquear o veio. Solte o perno de encaixe hexagonal para a direita utilizando a chave hexagonal. Em seguida, remova o perno de encaixe hexagonal, a flange exterior e a lâmina de serra circular.

► **Fig.31:** 1. Perno de encaixe hexagonal (rosca para a esquerda) 2. Flange exterior 3. Travão do eixo

3. Se a flange interior for removida, instale-a no veio com a peça de montagem da lâmina voltada para a lâmina de serra circular. Se a flange for instalada incorretamente, a flange irá roçar contra a máquina.

► **Fig.32:** 1. Perno de encaixe hexagonal (lado esquerdo) 2. Flange exterior 3. Lâmina de serra circular 4. Anel 5. Flange interior 6. Veio

**⚠️ OBSERVAÇÃO:** Tenha cuidado para não perder a flange exterior e o perno de encaixe hexagonal removidos.

## Ligar um aspirador

Quando pretender realizar operações de corte limpo, ligue o aspirador Makita.

**OBSERVAÇÃO:** Dependendo do tipo de aspirador e mangueira utilizados, a entrada de recolha de pó pode ficar bloqueada pelo resguardo de recolha de pó, impossibilitando-a de recolher pó. Nesse caso, diminui a potência de sucção do aspirador.

► **Fig.33:** 1. Resguardo de recolha de pó

## Saco do pó

**PRECAUÇÃO:** Quando realizar um corte, prenda sempre o saco do pó ou ligue um aspirador para evitar os perigos relacionados com o pó.

A utilização do saco do pó torna as operações de corte limpas e a recolha do pó fácil. Para prender o saco do pó, ligue o saco do pó ao bocal do pó.

► **Fig.34:** 1. Saco do pó 2. Bocal do pó

Quando o saco do pó se encontrar meio cheio, retire-o da ferramenta e tire o fecho. Esvazie o saco do pó, batendo-lhe ligeiramente para remover as partículas aderentes no interior que podem dificultar a recolha.

► **Fig.35:** 1. Fecho

## Prender a peça de trabalho

**AVISO:** É de extrema importância prender sempre a peça de trabalho de maneira correta com o tipo de torno apropriado. A não observância desta instrução pode resultar em ferimentos pessoais graves e danificar a ferramenta e/ou a peça de trabalho.

**AVISO:** Depois de uma operação de corte, não levante a lâmina de serra até que esta esteja completamente parada. Levantar a lâmina de serra enquanto está a rodar por inércia pode causar ferimentos pessoais graves e danos na peça de trabalho.

**AVISO:** Ao cortar uma peça de trabalho mais comprida do que a base de suporte da serra de esquadria, o material deve ser apoiado em todo o seu comprimento, além da base de suporte e na mesma altura, a fim de manter o material nivelado. O apoio adequado da peça de trabalho ajuda a evitar o encravamento da lâmina e um possível recuo, o que pode resultar em ferimentos pessoais graves. Não confie apenas no torno vertical para fixar a peça de trabalho. O material fino tende a vergar. Apoie a peça de trabalho em todo o comprimento, para evitar o encravamento da lâmina e um possível RECUO.

► **Fig.36:** 1. Suporte 2. Base giratória

## Placas guia

**AVISO:** Antes de operar a ferramenta, certifique-se de que a placa deslizante está firmemente fixada com o parafuso de aperto.

**AVISO:** Antes de efetuar o corte em bisel, certifique-se de que nenhuma parte da ferramenta, especialmente a lâmina de serra circular, estabelece contacto com as placas quando descer e levantar completamente a pega em qualquer posição e enquanto move o carro ao longo do respetivo alcance completo de deslocação. Se a ferramenta ou a lâmina de serra circular entrar em contacto com a placa, tal pode provocar um recuo ou um movimento inesperado do material e ferimentos pessoais graves.

Esta ferramenta está equipada com a placa deslizante. Ao efetuar cortes de bisel à esquerda, solte o parafuso de aperto e mova a placa deslizante de modo que não impeça o movimento do carro. Fixe a placa deslizante apertando o parafuso de aperto.

► **Fig.37:** 1. Placa deslizante 2. Placa guia  
3. Parafuso de aperto

## Torno vertical

**AVISO:** A peça de trabalho tem de ser fixa com segurança contra a base giratória, e a placa guia com o torno durante todas as operações. Se a peça de trabalho não estiver devidamente segura contra a placa, o material pode mover-se durante a operação de corte provocando eventuais danos na lâmina de serra, fazendo com que seja projetado e ocorra a perda de controlo, resultando em lesões pessoais graves.

O torno vertical pode ser instalado nos furos no lado esquerdo da base, no lado direito da base ou no lado esquerdo da sub-base.

Pressione a peça de trabalho direita contra a placa guia e a base giratória. Posicione a peça de trabalho na posição de corte desejada e fixe-a com firmeza apertando o botão do torno.

Certifique-se de que nenhuma parte da ferramenta entra em contacto com o torno vertical quando desce completamente a pega. Se alguma parte entrar em contacto com o torno vertical, volte a posicionar o torno vertical.

► **Fig.38:** 1. Furo 2. Botão do torno

## Sub-base

**⚠️ AVISO:** Suporte sempre as peças de trabalho compridas de forma que fiquem niveladas com a superfície superior da base giratória para obter cortes precisos e evitar o perigo de perda de controlo. O apoio adequado da peça de trabalho ajuda a evitar o encravamento da lâmina e um possível contragolpe, o que pode resultar em lesões pessoais graves.

**⚠️ AVISO:** Antes da operação de corte, certifique-se sempre de que as sub-bases estão fixadas pelos parafusos de orelhas.

Para segurar peças de trabalho compridas na horizontal, a ferramenta possui sub-bases nos dois lados. Solte os parafusos de orelhas e estenda as sub-bases até o comprimento apropriado para fixar a peça de trabalho. Em seguida, aperte os parafusos de orelhas.

► **Fig.39:** 1. Sub-base 2. Parafuso de orelhas

Quando cortar, coloque a peça de trabalho direita contra as placas guia.

► **Fig.40:** 1. Placa guia 2. Sub-base

## OPERAÇÃO

Esta ferramenta destina-se a cortar produtos de madeira. Se possuir lâminas da serra genuínas apropriadas da Makita, também pode serrar os seguintes materiais:

— Produtos de alumínio

Consulte o nosso website ou contacte o seu distribuidor Makita local para obter as lâminas de serra circulares corretas a utilizar para o material a cortar.

**⚠️ AVISO:** Certifique-se de que a lâmina de serra não está em contacto com a peça de trabalho, etc., antes de ligar o interruptor. Ligar a ferramenta enquanto a lâmina de serra está em contacto com a peça de trabalho pode provocar um recuo e ferimentos pessoais graves.

**⚠️ AVISO:** Depois de uma operação de corte, não levante a lâmina de serra até que esta esteja completamente parada. Levantar a lâmina de serra enquanto está a rodar por inércia pode causar ferimentos pessoais graves e danos na peça de trabalho.

**⚠️ AVISO:** Não efetue qualquer ajuste, tal como rodar o punho, o botão e as alavancas na ferramenta enquanto a lâmina de serra estiver a rodar. A execução do ajuste enquanto a lâmina de serra estiver a rodar pode resultar em ferimentos pessoais graves.

**⚠️ PRECAUÇÃO:** Não solte a cabeça da serra sem controlo da posição totalmente para baixo. A cabeça da serra sem controlo atinge-o e resulta em lesões físicas.

**OBSERVAÇÃO:** Antes de utilizar, certifique-se de que desbloqueia o pino de bloqueio e que solta a pega da posição inferior.

**OBSERVAÇÃO:** Não aplique pressão excessiva na pega enquanto corta. Força demasiada pode resultar em sobrecarga do motor e/ou diminuição de eficiência do corte. Empurre a pega para baixo só com a força necessária para um corte suave e sem diminuição significativa da velocidade da lâmina.

**OBSERVAÇÃO:** Pressione suavemente a pega para baixo para executar o corte. Se a pega for pressionada para baixo com força ou se aplicar força lateral, a lâmina de serra poderá vibrar e deixará uma marca (marca da serra) na peça de trabalho e a precisão do corte poderá ser afetada.

**OBSERVAÇÃO:** Quando executa corte correção empurre o carroto suavemente na direção da placa guia sem parar. Se o movimento do carroto parar durante o corte, ficará uma marca na peça de trabalho e a precisão do corte será prejudicada.

## Corte de pressão

**⚠️ AVISO:** Bloqueie sempre o movimento correção do carroto quando realizar um corte de pressão. Realizar cortes sem bloqueio pode causar um eventual contragolpe, o qual pode resultar em lesões pessoais graves.

As peças de trabalho até 65 mm de altura e 80 mm de largura podem ser cortadas da seguinte forma.

1. Empurre o carroto completamente na direção da placa guia e bloqueie-o com o parafuso de orelhas.
2. Prenda a peça de trabalho com o tipo de torno apropriado.
3. Ligue a ferramenta sem que a lâmina de serra circular faça qualquer contacto e espere até que a lâmina de serra circular atinja a velocidade máxima antes de descer.
4. Desça a pega suavemente para a posição completamente descida para cortar a peça de trabalho.
5. Quando o corte está concluído, desligue a ferramenta e aguarde até a lâmina de serra circular parar completamente antes de voltar a colocar a lâmina de serra circular na sua posição totalmente elevada.

► **Fig.41:** 1. Parafuso de orelhas



## Corte correção (empurrão) (corte de peças largas)

**⚠️ AVISO:** Quando executa o corte correção, primeiro puxe os carretos completamente para si e pressione a pega para a posição mais baixa e, em seguida, empurre os carretos na direção da placa guia. Nunca inicie o corte sem que o carreto esteja completamente puxado para si. Se executar o corte correção sem puxar completamente o carreto para si, pode ocorrer um contragolpe inesperado e causar ferimentos pessoais graves.

**⚠️ AVISO:** Nunca tente executar o corte correção puxando o carreto para si. Puxar o carreto para si enquanto executa o corte pode provocar um contragolpe inesperado e provocar ferimentos pessoais graves.

**⚠️ AVISO:** Nunca execute o corte correção com a pega bloqueada na posição inferior.

1. Solte o parafuso de orelhas para que o carreto possa deslizar livremente.
  2. Prenda a peça de trabalho com o tipo de torno apropriado.
  3. Puxe os carretos completamente para si.
  4. Ligue a ferramenta sem que a lâmina de serra circular faça qualquer contacto e espere até que a lâmina de serra atinja a velocidade máxima.
  5. Empurre a pega para baixo e **empurre os carretos até à placa guia e ao longo da peça de trabalho.**
  6. Quando o corte está concluído, desligue a ferramenta e **aguarde até a lâmina de serra parar completamente** antes de voltar a colocar a lâmina de serra na sua posição totalmente elevada.
- Fig.42: 1. Parafuso de orelhas

## Corte de esquadria

Consulte a secção para regular o ângulo de esquadria.

## Corte de bisel

**⚠️ AVISO:** Depois de regular a lâmina de serra para um corte de bisel, verifique, antes de operar a ferramenta, se o carreto e a lâmina de serra poderão se deslocar livremente por toda a distância do corte pretendido. A interrupção do deslocamento do carreto ou da lâmina durante a operação de corte pode provocar um recuo e ferimentos pessoais graves.

**⚠️ AVISO:** Mantenha as mãos afastadas do percurso da lâmina de serra durante a execução de um corte de bisel. O ângulo da lâmina de serra pode confundir o operador com respeito ao percurso real da lâmina durante o corte, e o contacto com a lâmina de serra provocará ferimentos pessoais graves.

**⚠️ AVISO:** A lâmina de serra não deve ser levantada até que esteja completamente parada. Durante um corte de bisel, o pedaço cortado pode ficar encostado à lâmina de serra. Se levantar a lâmina de serra enquanto está a rodar, o pedaço cortado pode ser ejetado pela lâmina de serra e fragmentar-se, o que pode provocar ferimentos pessoais graves.

**OBSERVAÇÃO:** Quando pressionar a pega para baixo, exerça pressão paralelamente com a lâmina de serra. Se a força for exercida perpendicularmente à base giratória ou se mudar a direção da pressão durante o corte, a precisão do corte será prejudicada.

1. Coloque a placa deslizante à esquerda para evitar que o carreto estabeleça contacto.
2. Desbloqueie o pino de bloqueio e solte o parafuso de orelhas no braço para que o carreto possa ser elevado e deslizado livremente.
3. Ajuste o ângulo de bisel de acordo com o procedimento explicado na secção para ajuste do ângulo de bisel. Em seguida, aperte o punho.
4. Prenda a peça de trabalho com um torno.
5. Puxe os carretos completamente para si.
6. Ligue a ferramenta sem que a lâmina de serra circular faça qualquer contacto e espere até que a lâmina de serra circular atinja a velocidade máxima.
7. Baixe suavemente a pega até à posição completamente descida ao mesmo tempo que aplica pressão em paralelo com a lâmina de serra circular e **empurre o carreto em direção à placa guia para cortar a peça de trabalho.**
8. Quando o corte está concluído, desligue a ferramenta e **aguarde até a lâmina de serra circular parar completamente** antes de voltar a colocar a lâmina de serra na sua posição totalmente elevada.

► Fig.43

## Corte composto

Corte composto é o processo em que um ângulo de bisel é feito ao mesmo tempo em que um ângulo de esquadria é cortado na peça de trabalho. O corte composto pode ser executado no ângulo indicado na tabela.

Ângulo de esquadria	Ângulo de bisel
Esquerdo e direito 0° - 45°	Para a esquerda entre 0° - 45°

Quando executar o corte composto, consulte a secção para corte de pressão, corte correção (empurrão), corte de esquadria e corte de bisel.

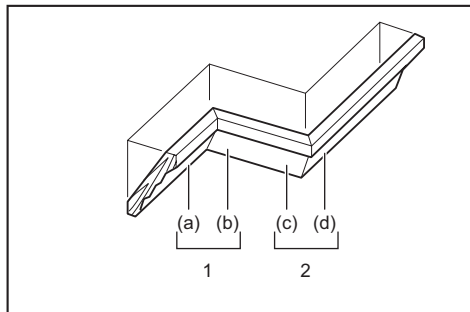
## Corte de sancas e molduras

As sancas e molduras podem ser cortadas com uma serra de esquadria composta colocando-se as molduras retas na base giratória.

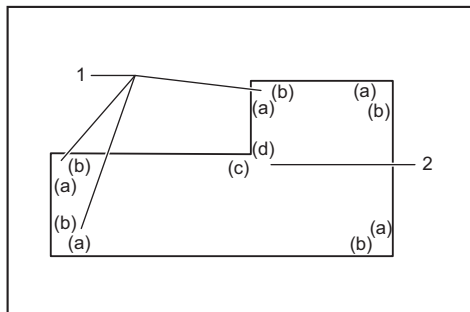
Há dois tipos comuns de molduras e um tipo de sanca; molduras com ângulos de 52/38° e 45° e sancas com ângulo de 45°.

► **Fig.44:** 1. Moldura do tipo 52/38° 2. Moldura do tipo 45° 3. Sanca do tipo 45°

Há juntas de sancas e molduras que são próprias para encaixar em cantos "internos" de 90° ((a) e (b) na figura) e cantos "externos" de 90° ((c) e (d) na figura).



1. Canto interno 2. Canto externo



1. Canto interno 2. Canto externo

## Medir

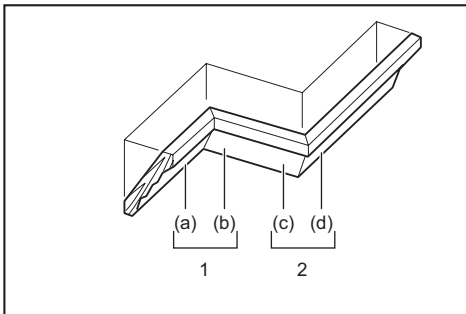
Meça a largura da parede e ajuste a largura da peça de trabalho de acordo com a mesma. Certifique-se sempre de que a largura da extremidade de contacto da parede com a peça de trabalho é a mesma do comprimento da parede.

► **Fig.45:** 1. Peça de trabalho 2. Largura da parede 3. Largura da peça de trabalho 4. Extremidade de contacto da parede

Corte sempre vários pedaços para fazer cortes de teste a fim de verificar os ângulos da serra.

Ao cortar sancas e molduras, regule o ângulo de bisel e o ângulo de esquadria como indicado na tabela (A) e posicione as molduras na superfície superior da base da serra como indicado na tabela (B).

## Corte de bisel para a esquerda



1. Canto interno 2. Canto externo

Tabela (A)

-	Posição da moldura na figura	Ângulo de bisel		Ângulo de esquadria	
		Tipo 52/38°	Tipo 45°	Tipo 52/38°	Tipo 45°
Para canto interno	(a)	Esquerdo 33,9°	Esquerdo 30°	Direito 31,6°	Direito 35,3°
	(b)			Esquerdo 31,6°	Esquerdo 35,3°
Para canto externo	(c)			Direito 31,6°	Direito 35,3°
	(d)			Direito 31,6°	Direito 35,3°

Tabela (B)

-	Posição da moldura na figura	Borda da moldura contra a placa guia	Peça acabada
Para canto interno	(a)	A borda de contacto com o teto deve ficar contra a placa guia.	A peça acabada ficará no lado esquerdo da lâmina de serra circular.
	(b)	A borda de contacto com a parede deve ficar contra a placa guia.	A peça acabada ficará no lado direito da lâmina de serra circular.
Para canto externo	(c)	A borda de contacto com o teto deve ficar contra a placa guia.	
	(d)	A borda de contacto com o teto deve ficar contra a placa guia.	

Exemplo:

Se cortar uma moldura do tipo 52/38° para a posição (a) na figura acima:

- Incline e prenda a regulação do ângulo de bisel em 33,9° para a ESQUERDA.
- Ajuste e prenda a regulação do ângulo de esquadria em 31,6° para a DIREITA.
- Coloque a moldura na serra com a superfície traseira mais larga (oculta) na base giratória e com a BORDA DE CONTACTO COM O TETO contra a placa guia.
- A peça acabada a ser utilizada ficará sempre no lado ESQUERDO da lâmina de serra circular depois de o corte ter sido realizado.

## Corte de extrusão de alumínio

Quando fixar extrusões de alumínio, utilize blocos espaçadores ou pedaços de refugo, como indicado na figura, para evitar deformações do alumínio. Quando cortar extrusão de alumínio, utilize um lubrificante de corte para evitar a acumulação do material de alumínio na lâmina de serra circular.

**AVISO:** Nunca tente executar o corte de extrusões em alumínio grossas ou redondas. As extrusões em alumínio grossas ou redondas podem ser difíceis de fixar e a peça de trabalho pode soltar durante a operação de corte, o que pode resultar na perda de controlo e em lesões pessoais graves.

► **Fig.46:** 1. Torno 2. Bloco espaçador 3. Placa guia 4. Extrusão de alumínio 5. Bloco espaçador

## Corte do mesmo comprimento repetidamente

Quando cortar várias peças de material com o mesmo comprimento de 225 mm a 350 mm, puxe para cima a placa de apoio conforme apresentado na figura. Fixe a peça de trabalho na posição para cortar. Deslize a sub-base direita de modo que a placa de apoio fique nivelada em relação à extremidade da peça de trabalho. Em seguida, fixe a sub-base com o parafuso de orelhas.

► **Fig.47:** 1. Placa de apoio 2. Parafuso de orelhas

## Corte de ranhura

**AVISO:** Não tente executar este tipo de corte usando uma lâmina larga ou uma lâmina dado. Tentar cortar ranhuras com uma lâmina larga ou uma lâmina dado pode resultar em cortes imprevistos bem como contragolpes, o que pode provocar ferimentos pessoais graves.

**AVISO:** Certifique-se que volta a colocar a placa de retenção na posição original quando executa cortes que não sejam de ranhuras. Tentar cortar com a placa de retenção na posição incorreta pode resultar em cortes imprevistos e contragolpes, o que pode resultar em ferimentos pessoais graves.

Para um corte do tipo dado, realize o seguinte:

1. Ajuste a posição de limite inferior da lâmina de serra circular utilizando o parafuso de ajuste e a placa de retenção para limitar a profundidade de corte da lâmina de serra circular. Consulte a secção para a placa de retenção.

2. Depois de ajustar a posição de limite inferior da lâmina de serra circular, corte ranhuras paralelas ao longo da largura da peça de trabalho utilizando um corte correção (empurrão).

► **Fig.48:** 1. Corte de ranhuras com a lâmina de serra

3. Retire o material da peça de trabalho entre as ranhuras com um cinzel.

## Transporte de ferramenta

Antes de transportar a ferramenta, certifique-se de que desliga a ferramenta da tomada e que todas as peças móveis da ferramenta estão fixadas. Verifique sempre o seguinte:

- A ferramenta está desligada da tomada.
- O carreto está numa posição de ângulo de bisel de 0° e fixo.
- O carreto está descido e bloqueado.
- O carreto está completamente deslizado na sua direção e bloqueado.
- A base giratória está na posição de ângulo de esquadria totalmente à direita e fixa.

Transporte a ferramenta segurando a pega de transporte e um lado da base da ferramenta ou segurando os dois lados da base da ferramenta.

► **Fig.49**

► **Fig.50**

**AVISO:** O pino de bloqueio para a elevação do carreto serve apenas para fins de transporte, armazenamento e ajuste e não para quaisquer operações de corte. A utilização do pino de bloqueio para operações de corte pode provocar movimento inesperado da lâmina de serra circular, resultando em recuo e em ferimentos pessoais graves.

**PRECAUÇÃO:** Fixe sempre todos os componentes móveis antes de proceder ao transporte da ferramenta. Se componentes da ferramenta se moverem ou deslizarem durante o transporte, pode ocorrer a perda de controlo ou equilíbrio e resultar em ferimentos pessoais.

**PRECAUÇÃO:** Certifique-se de que a elevação do carreto está devidamente bloqueada na respetiva parte inferior pelo pino de bloqueio. Se o pino de bloqueio não estiver devidamente engatado, o carreto pode saltar subitamente e provocar ferimentos pessoais.

## MANUTENÇÃO

**AVISO:** Certifique-se sempre de que a ferramenta está desligada e retirada da tomada antes de tentar realizar a inspeção ou manutenção. Se não desligar a ferramenta e retirar a ficha da tomada pode resultar no arranque acidental da ferramenta, o que pode resultar em lesões físicas graves.

**AVISO:** Certifique-se sempre de que a lâmina de serra se encontra afiada e limpa para obter o melhor e mais seguro desempenho. Tentar cortar com uma lâmina de serra não afiada e/ou suja pode causar um recuo e provocar ferimentos pessoais graves.

**OBSERVAÇÃO:** Nunca utilize gasolina, benzina, diluente, álcool ou produtos semelhantes. Pode ocorrer a descoloração, deformação ou rachaduras.

Para manter a SEGURANÇA e a FIABILIDADE do produto, as reparações e qualquer outra manutenção ou ajuste devem ser levados a cabo pelos centros de assistência Makita autorizados ou pelos centros de assistência de fábrica, utilizando sempre peças de substituição Makita.

## Regulação do ângulo do corte

Esta ferramenta foi cuidadosamente regulada e alinhada na fábrica, mas manuseamento pouco cuidado pode afetar o alinhamento. Se a sua ferramenta não estiver alinhada corretamente proceda como se segue:

### Ângulo de esquadria

1. Bloqueie o carroto na posição descida através do pino de bloqueio. Empurre o carroto na direção da placa guia e aperte o parafuso de orelhas para fixar o carroto.

2. Coloque a base giratória na posição de 0° utilizando a função de paragem positiva. (Deixe como está, se o ponteiro não apontar para 0°.)

3. Solte os pernos de encaixe hexagonal que prendem a placa guia utilizando a chave hexagonal.

► **Fig.51:** 1. Pino de bloqueio 2. Parafuso de orelhas 3. Pernos de encaixe hexagonal

4. Coloque a parte lateral da lâmina de serra em esquadria com a superfície da placa guia utilizando uma régua triangular ou um esquadro. Em seguida, aperte firmemente os pernos de encaixe hexagonal na placa guia por esta ordem a partir do lado direito.

► **Fig.52:** 1. Placa guia 2. Régua triangular

5. Se o ponteiro não apontar para 0°, solte o parafuso que prende o ponteiro e ajuste-o até apontar para 0°.

► **Fig.53:** 1. Parafuso 2. Ponteiro 3. Escala do ângulo de esquadria

### Ângulo de bisel

#### Ângulo de bisel de 0°

1. Bloqueie o carroto na posição descida através do pino de bloqueio. Empurre o carroto na direção da placa guia e aperte o parafuso de orelhas para fixar o carroto.

2. Solte a alavanca. Em seguida, rode o perno de ajuste de 0° duas ou três voltas para a esquerda para inclinar a lâmina de serra circular para a direita.

► **Fig.54:** 1. Alavanca 2. Perno de ajuste de 0°

3. Coloque cuidadosamente a parte lateral da lâmina de serra em esquadria com a superfície superior da base giratória utilizando uma régua triangular, um esquadro, etc., rodando o perno de ajuste de 0° para a direita. Em seguida, aperte a alavanca firmemente para fixar o ângulo de 0° que definiu.

► **Fig.55:** 1. Régua triangular 2. Lâmina de serra 3. Superfície superior da base giratória

4. Se o ponteiro não apontar para 0°, solte o parafuso que prende o ponteiro e ajuste-o até apontar para 0°.

► **Fig.56:** 1. Parafuso 2. Ponteiro 3. Escala de bisel

#### Ângulo de bisel de 45°

**OBSERVAÇÃO:** Antes de ajustar o ângulo de bisel de 45°, conclua o ajuste do ângulo de bisel de 0°.

1. Aperte o parafuso de orelhas para fixar o carroto.  
2. Solte a alavanca. Em seguida, incline completamente o carroto para a esquerda.

► **Fig.57:** 1. Parafuso de orelhas 2. Alavanca

3. Verifique se o ponteiro indica a posição de 45° na escala do ângulo de bisel.

Se o ponteiro não indicar a posição de 45°, alinhe-o com a posição de 45° rodando o perno de ajuste de 45°.

► **Fig.58:** 1. Perno de ajuste de 45°

### Substituir as escovas de carvão

Remova e verifique as escovas de carvão regularmente. Substitua-as quando estiverem gastas até à marca de limitação. Mantenha as escovas de carvão limpas e desimpedidas para deslizar nos suportes. As duas escovas de carvão devem ser substituídas ao mesmo tempo. Utilize apenas escovas de carvão idênticas.

► **Fig.59:** 1. Marca de limitação

Utilize uma chave de parafusos para remover as tampas do suporte da escova. Retire as escovas de carvão gastas, insira as novas e fixe as tampas do suporte da escova.

► **Fig.60:** 1. Tampa do suporte da escova

### Depois da utilização

Depois da utilização, limpe as aparas e o pó que aderiu à ferramenta com um pano ou material semelhante. Mantenha o resguardo da lâmina limpo conforme instruções constantes da anterior secção com o título "Resguardo da lâmina". Lubrifique os componentes deslizantes com óleo de máquina para evitar a ferrugem.

## ACESSÓRIOS OPCIONAIS

**AVISO:** Estes acessórios ou extensões Makita são recomendados para utilização com a sua ferramenta Makita especificada neste manual. A utilização de quaisquer outros acessórios ou extensões pode resultar em ferimentos pessoais graves.

**AVISO:** Utilize apenas um acessório ou extensão Makita para o fim a que se destina. A utilização inadequada de um acessório ou extensão pode resultar em ferimentos pessoais graves.

Se necessitar de informações adicionais relativas a estes acessórios, solicite-as ao seu centro de assistência Makita.

- Lâmina de serra de aço com pontas de carboneto
- Torno vertical
- Saco do pó
- Régua triangular
- Chave hexagonal
- Conjunto de suporte

**NOTA:** Alguns itens da lista podem estar incluídos na embalagem da ferramenta como acessórios padrão. Eles podem variar de país para país.

## ΠΡΟΔΙΑΓΡΑΦΕΣ

<b>Μοντέλο:</b>		<b>LS0816F</b>
Διάμετρος λάμας		216 mm
Διάμετρος οπής	Ευρωπαϊκές χώρες	30 mm
	Χώρες εκτός Ευρώπης	25,4 mm ή 30 mm (ειδικό της χώρας)
Μέγιστο πάχος εγκοπής της λάμας πριονιού		2,8 mm
Μέγιστη λοξή γωνία		Αριστερά 47°, Δεξιά 47°
Μέγιστη κωνική γωνία		Αριστερά 47°, Δεξιά 2°
Ταχύτητα χωρίς φορτίο (RPM)		5.000 min <sup>-1</sup>
Διαστάσεις (Μ x Π x Υ)		476 mm x 705 mm x 521 mm
Καθαρό βάρος		13,9 kg
Κατηγορία ασφάλειας		□/II

- Λόγω του συνεχόμενου προγράμματος που εφαρμόζουμε για έρευνα και ανάπτυξη, τα τεχνικά χαρακτηριστικά στο παρόν έντυπο υπόκεινται σε αλλαγή χωρίς προειδοποίηση.
- Τα τεχνικά χαρακτηριστικά μπορεί να διαφέρουν από χώρα σε χώρα.
- Βάρος σύμφωνα με διαδικασία ΕΡΤΑ 01/2014

### Μέγιστες ικανότητες κοπής (Υ x Π) με λάμα πριονιού ø 216 mm

Λοξή γωνία	Κωνική γωνία		
	45° (αριστερά)	0°	2° (δεξιά)
0°	36 mm x 305 mm	65 mm x 305 mm	60 mm x 305 mm
45° (αριστερά και δεξιά)	36 mm x 215 mm	65 mm x 215 mm	-

## Σύμβολα

Παρακάτω παρουσιάζονται τα σύμβολα που μπορούν να χρησιμοποιηθούν για τον εξοπλισμό. Βεβαιωθείτε ότι κατανοείτε τη σημασία τους πριν από τη χρήση.

	Διαβάστε το εγχειρίδιο οδηγιών.
	ΔΙΠΛΗ ΜΟΝΩΣΗ
 	Φοράτε γυαλιά ασφαλείας.
 	Για να αποφύγετε τον τραυματισμό από εκτοξευόμενα θραύσματα, να κρατάτε την κεφαλή του πριονιού προς τα κάτω μετά την ολοκλήρωση των κοπών, έως ότου η λάμα πριονιού ακινητοποιηθεί εντελώς.
  	Όταν εκτελείτε την ολισθητική κοπή, τραβήξτε πρώτα την κινητή βάση πλήρως και πατήστε κάτω τη λαβή, μετά σπρώξτε την κινητή βάση προς τον φράχτη οδηγό.
	Μην πλησιάζετε τα χέρια και τα δάκτυλά σας κοντά στη λάμα πριονιού.
	Ρυθμίστε σωστά τους συρόμενους φράχτες μακριά από τη λάμα πριονιού και τον προφυλακτήρα λάμας.



Μην κοιτάτε τη λυχνία λειτουργίας.



Μόνο για τις χώρες της ΕΕ  
Λόγω της παρουσίας των επικίνδυνων συστατικών μερών στον εξοπλισμό, ο χρησιμοποιημένος ηλεκτρικός και ηλεκτρονικός εξοπλισμός μπορεί να έχει αρνητική επίδραση στο περιβάλλον και την ανθρώπινη υγεία.  
Μην απορρίπτετε τις ηλεκτρικές και ηλεκτρονικές συσκευές μαζί με τα οικιακά απορρίμματα!  
Σύμφωνα με την Ευρωπαϊκή Οδηγία για τον απόβλητο ηλεκτρικό και ηλεκτρονικό εξοπλισμό, καθώς και την προσαρμογή της στην εθνική νομοθεσία, ο χρησιμοποιημένος ηλεκτρικός και ηλεκτρονικός εξοπλισμός θα πρέπει να συλλέγεται ξεχωριστά και να παραδίδεται σε ξεχωριστό σημείο συλλογής για δημοτικά απόβλητα, το οποίο λειτουργεί σύμφωνα με τους κανονισμούς προστασίας του περιβάλλοντος.  
Αυτό υποδεικνύεται από το σύμβολο του διαγραμμένου τροχοφόρου κάδου που βρίσκεται αναρτημένο επάνω στον εξοπλισμό.

## Προοριζόμενη χρήση

Το εργαλείο προορίζεται για ευθείες και λοξές κοπές ακριβείας σε ξύλο. Με τις κατάλληλες λάμες πριονιού, μπορείτε να πριονίσετε και αλουμίνιο. Για λεπτομέρειες, ανατρέξτε στην ενότητα ΛΕΙΤΟΥΡΓΙΑ.

## Ηλεκτρική παροχή

Το εργαλείο πρέπει να συνδέεται μόνο με ηλεκτρική παροχή της ίδιας τάσης με αυτή που αναγράφεται στην πινακίδα ονομαστικών τιμών και μπορεί να λειτουργήσει μόνο με εναλλασσόμενο μονοφασικό ρεύμα. Υπάρχει διπλή μόνωση και κατά συνέπεια, μπορεί να γίνει σύνδεση σε ακροδέκτες χωρίς σύρμα γείωσης.

## Θορύβος

Το τυπικό Α επίπεδο καταμετρημένου θορύβου καθορίζεται σύμφωνα με το EN62841-3-9:

Στάθμη ηχητικής πίεσης ( $L_{pA}$ ): 91 dB (A)

Στάθμη ηχητικής ισχύος ( $L_{WA}$ ): 102 dB (A)

Αβεβαιότητα (K): 3 dB (A)

**ΠΑΡΑΤΗΡΗΣΗ:** Η δηλωμένη τιμή(ές) εκπομπής θορύβου έχει μετρηθεί σύμφωνα με την πρότυπη μέθοδο δοκιμής και μπορεί να χρησιμοποιηθεί για τη σύγκριση ενός εργαλείου με κάποιο άλλο.

**ΠΑΡΑΤΗΡΗΣΗ:** Η δηλωμένη τιμή(ές) εκπομπής θορύβου μπορεί να χρησιμοποιηθεί και στην προκαταρκτική αξιολόγηση της έκθεσης.

**⚠️ ΠΡΟΕΙΔΟΠΟΙΗΣΗ:** Να φοράτε ωτοασπίδες.

**⚠️ ΠΡΟΕΙΔΟΠΟΙΗΣΗ:** Η εκπομπή θορύβου κατά τη χρήση του ηλεκτρικού εργαλείου σε πραγματικές συνθήκες μπορεί να διαφέρει από τη δηλωμένη τιμή(ές) ανάλογα με τους τρόπους χρήσης του εργαλείου, ιδιαίτερα το είδος του τεμαχίου εργασίας που υπόκειται επεξεργασία.

**⚠️ ΠΡΟΕΙΔΟΠΟΙΗΣΗ:** Φροντίστε να λάβετε τα κατάλληλα μέτρα προστασίας του χειριστή βάσει ενός υπολογισμού της έκθεσης σε πραγματικές συνθήκες χρήσης (λαμβάνοντας υπόψη όλες τις συνιστώσες του κύκλου λειτουργίας όπως τους χρόνους που το εργαλείο είναι εκτός λειτουργίας και όταν βρίσκεται σε αδρανή λειτουργία πέραν του χρόνου ενεργοποίησης).

## Δήλωση Συμμόρφωσης

*Μόνο για χώρες της Ευρώπης*

Οι Δήλώσεις Συμμόρφωσης περιλαμβάνονται στο Παράρτημα Α στο παρόν εγχειρίδιο οδηγιών.

## ΠΡΟΕΙΔΟΠΟΙΗΣΕΙΣ ΑΣΦΑΛΕΙΑΣ

### Γενικές προειδοποιήσεις ασφαλείας για το ηλεκτρικό εργαλείο

**⚠️ ΠΡΟΕΙΔΟΠΟΙΗΣΗ** Διαβάστε όλες τις προειδοποιήσεις ασφαλείας, οδηγίες, εικονογραφίες και προδιαγραφές που παρέχονται με αυτό το ηλεκτρικό εργαλείο. Η μη τήρηση όλων των οδηγιών που αναγράφονται κατωτέρω μπορεί να καταλήξει σε ηλεκτροπληξία, πυρκαγιά ή/και σοβαρό τραυματισμό.

## Φυλάξτε όλες τις προειδοποιήσεις και τις οδηγίες για μελλοντική παραπομπή.

Στις προειδοποιήσεις, ο όρος «ηλεκτρικό εργαλείο» αναφέρεται σε ηλεκτρικό εργαλείο που τροφοδοτείται από την κύρια παροχή ηλεκτρικού ρεύματος (με ηλεκτρικό καλώδιο) ή σε ηλεκτρικό εργαλείο που τροφοδοτείται από μπαταρία (χωρίς ηλεκτρικό καλώδιο).

### Ασφάλεια στο χώρο εργασίας

1. **Να διατηρείτε το χώρο εργασίας καθαρό και καλά φωτισμένο.** Σε ακατάστατους ή σκοτεινούς χώρους προκαλούνται ατυχήματα.
2. **Μη θέτετε τα ηλεκτρικά εργαλεία σε λειτουργία σε εκρηκτικές ατμόσφαιρες, όπως παρουσία εύφλεκτων υγρών, αερίων ή σκόνης.** Τα ηλεκτρικά εργαλεία δημιουργούν σπινθήρες που μπορεί να προκαλέσουν ανάφλεξη της σκόνης ή των ατμών.
3. **Να απομακρύνετε τα παιδιά και τους μη έχοντες εργασία όταν χειρίζεστε ένα ηλεκτρικό εργαλείο.** Εάν αποσπαστεί η προσοχή σας, μπορεί να χάσετε τον έλεγχο.

### Ηλεκτρική ασφάλεια

1. **Τα φως του ηλεκτρικού εργαλείου πρέπει να ταιριάζουν στην πρίζα. Μην τροποποιείτε ποτέ το φως με οποιονδήποτε τρόπο. Μη χρησιμοποιείτε προσαρμογείς σε γειωμένα ηλεκτρικά εργαλεία.** Τα φως που δεν έχουν τροποποιηθεί και οι πρίζες που ταιριάζουν στα φως μειώνουν το κίνδυνο πρόκλησης ηλεκτροπληξίας.
2. **Αποφεύγετε την επαφή του σώματος με γειωμένες επιφάνειες, όπως σωλήνες, καλοριφέρ, φούρνους και ψυγεία.** Υπάρχει αυξημένος κίνδυνος πρόκλησης ηλεκτροπληξίας εάν το σώμα σας είναι γειωμένο.
3. **Μην εκθέτετε τα ηλεκτρικά εργαλεία στη βροχή ή σε υγρές συνθήκες.** Εάν εισέλθει νερό σε κάποιο ηλεκτρικό εργαλείο, αυξάνεται ο κίνδυνος πρόκλησης ηλεκτροπληξίας.
4. **Μην κακομεταχειρίζεστε το ηλεκτρικό καλώδιο. Μη χρησιμοποιείτε ποτέ το ηλεκτρικό καλώδιο για να μεταφέρετε ή να τραβήξετε το ηλεκτρικό εργαλείο, αλλά ούτε για να βγάλετε το φως του ηλεκτρικού εργαλείου από την πρίζα. Να διατηρείτε το ηλεκτρικό καλώδιο μακριά από τη θερμότητα, τα λάδια, τα αιχμηρά αντικείμενα και τα κινούμενα μέρη.** Τα ηλεκτρικά καλώδια που έχουν υποστεί βλάβες και τα μπλεγμένα ηλεκτρικά καλώδια αυξάνουν τον κίνδυνο πρόκλησης ηλεκτροπληξίας.
5. **Όταν χειρίζεστε κάποιο ηλεκτρικό εργαλείο σε εξωτερικούς χώρους, να χρησιμοποιείτε προστασία ηλεκτρώδιου καλωδίου (μπιζουλιέτα) κατάλληλη για εξωτερική χρήση.** Εάν χρησιμοποιείτε ηλεκτρικό καλώδιο κατάλληλο για εξωτερική χρήση, μειώνεται ο κίνδυνος για πρόκληση ηλεκτροπληξίας.
6. **Εάν δεν είναι δυνατό να αποφευχθεί η λειτουργία ενός ηλεκτρικού εργαλείου σε μέρος με υγρασία, χρησιμοποιήστε ηλεκτρική παροχή που προστατεύεται από συσκευή παραμένουστος ρεύματος (RCD).** Η χρήση RCD μειώνει τον κίνδυνο ηλεκτροπληξίας.
7. **Πάντα συνιστάται η χρήση ηλεκτρικής παροχής μέσω RCD με ονομαστικό παραμένον ρεύμα 30 mA ή λιγότερο.**

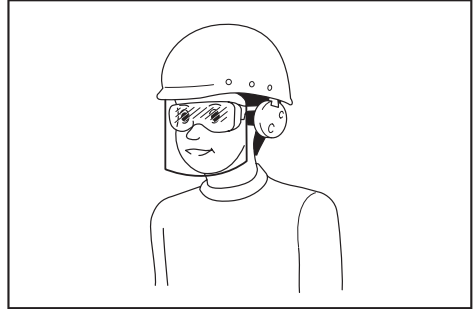


8. Τα ηλεκτρικά εργαλεία μπορούν να παράγουν ηλεκτρομαγνητικά πεδία (EMF) τα οποία δεν είναι βλαβερά για το χρήστη. Ωστόσο, οι χρήστες βιολογικών και άλλων παρόμοιων ιατροτεχνολογικών συσκευών θα πρέπει να επικοινωνήσουν με τον κατασκευαστή της συσκευής τους ή/και τον γιατρό τους για συμβουλές, πριν θέσουν αυτό το ηλεκτρικό εργαλείο σε λειτουργία.
9. Μην αγγίζετε το φως του ηλεκτρικού καλωδίου με βρεγμένα χέρια.
10. Αν το καλώδιο είναι κατεστραμμένο, ζητήστε την αντικατάστασή του από τον κατασκευαστή ή από εκπρόσωπό του, προκειμένου να αποφευχθεί κίνδυνος για την ασφάλεια.

#### Προσωπική ασφάλεια

1. Όταν χειρίζεστε κάποιο ηλεκτρικό εργαλείο, να είσαστε σε ετοιμότητα, να προσέχετε τι κάνετε και να χρησιμοποιείτε κοινή λογική. Μη χειρίζεστε κάποιο ηλεκτρικό εργαλείο όταν είσαστε κουρασμένοι ούτε όταν βρίσκεστε υπό την επήρεια ναρκωτικών ουσιών, αλκοόλ ή φαρμάκων. Μια στιγμή απροσεξίας κατά τη διάρκεια χειρισμού των ηλεκτρικών εργαλείων μπορεί να προκαλέσει σοβαρό προσωπικό τραυματισμό.
2. Να χρησιμοποιείτε ατομικό εξοπλισμό προστασίας. Να φοράτε πάντα προστασία ματιών. Εάν χρησιμοποιείτε το σωστό προστατευτικό εξοπλισμό, όπως προσωπίδα κατά της σκόνης, αντλιοσθητική παπούτσια ασφάλειας, κράνος ή προστατευτικό ακοής, ανάλογα με τις συνθήκες, θα μειωθεί ο κίνδυνος πρόκλησης προσωπικών τραυματισμών.
3. Να αποφεύγετε την αθέλητη ενεργοποίηση του εργαλείου. Βεβαιωθείτε ότι ο διακόπτης βρίσκεται στην ανενεργή θέση πριν συνδέετε την ηλεκτρική παροχή ή/και μπαταρία, σηκώνετε ή μεταφέρετε το εργαλείο. Εάν φέρετε ηλεκτρικά εργαλεία με το δάχτυλό σας στο διακόπτη ή εάν ενεργοποιείτε ηλεκτρικά εργαλεία όταν ο διακόπτης είναι στην ενεργή θέση, μπορεί να προκληθούν ατυχήματα.
4. Να απομακρύνετε τυχόν ρυθμιζόμενο κλειδί ή γαλλικό κλειδί πριν θέσετε το ηλεκτρικό εργαλείο σε λειτουργία. Ένα κλειδί που έχει μείνει προσκολλημένο σε κάποιο περιστρεφόμενο μέρος του ηλεκτρικού εργαλείου μπορεί να προκαλέσει προσωπικό τραυματισμό.
5. Μην τεντώνετε υπερβολικά. Να στέκεστε πάντοτε σταθερά και ισορροπημένα. Έτσι, θα έχετε καλύτερο έλεγχο του ηλεκτρικού εργαλείου σε απρόσμενες καταστάσεις.
6. Να ντύνεστε κατάλληλα. Μη φοράτε φαρδιά ρούχα ή κοσμήματα. Κρατάτε τα μαλλιά και τα ρούχα σας μακριά από κινούμενα μέρη. Υπάρχει κίνδυνος να εμπλακούν τα φαρδιά ρούχα, τα κοσμήματα ή τα μακριά μαλλιά σε κινούμενα μέρη.
7. Εάν παρέχονται συσκευές για τη σύνδεση διατάξεων εξαγωγής και συλλογής σκόνης, να βεβαιώνετε ότι αυτές είναι συνδεδεμένες και χρησιμοποιούνται σωστά. Η συλλογή σκόνης μπορεί να μειώσει τον κίνδυνο που σχετίζεται με τη σκόνη.
8. Μην αδιαφορείτε και αγνοείτε τις αρχές ασφαλείας του εργαλείου λόγω της εξοικείωσης που αποκτάτε από τη συχνή χρήση των εργαλείων. Μια απρόσεκτη ενέργεια μπορεί να προκαλέσει σοβαρό τραυματισμό εντός κλασμάτων ενός δευτερολέπτου.

9. Να φοράτε πάντα προστατευτικά γυαλιά για να προστατεύετε τα μάτια σας από τραυματισμό όταν χρησιμοποιείτε ηλεκτρικά εργαλεία. Τα προστατευτικά γυαλιά πρέπει να συμμορφώνονται με το πρότυπο ANSI Z87.1 στις ΗΠΑ, το πρότυπο EN 166 στην Ευρώπη ή το πρότυπο AS/NZS 1336 στην Αυστραλία/Νέα Ζηλανδία. Στην Αυστραλία/Νέα Ζηλανδία, απαιτείται από το νόμο να φοράτε και προσωπίδα για την προστασία του προσώπου σας.



Ο εργοδότης έχει την ευθύνη να επιβάλλει τη χρήση κατάλληλου προστατευτικού εξοπλισμού ασφαλείας από τους χειριστές του εργαλείου και από άλλα άτομα που βρίσκονται στην άμεση περιοχή εργασίας.

#### Χρήση και φροντίδα ηλεκτρικού εργαλείου

1. Μην ασκείτε πίεση στο ηλεκτρικό εργαλείο. Να χρησιμοποιείτε το σωστό ηλεκτρικό εργαλείο για την εφαρμογή σας. Με το σωστό ηλεκτρικό εργαλείο θα πραγματοποιήσετε την εργασία καλύτερα και ασφαλέστερα, στο βαθμό για τον οποίο έχει σχεδιαστεί.
2. Μη χρησιμοποιείτε το ηλεκτρικό εργαλείο εάν ο διακόπτης δεν το ενεργοποιεί και δεν το απενεργοποιεί. Κάθε ηλεκτρικό εργαλείο που δεν μπορείτε να ελέγξετε με το διακόπτη λειτουργίας είναι επικίνδυνο και πρέπει να επισκευαστεί.
3. Να αποσυνδέετε το φως από την πηγή τροφοδοσίας ή/και να βγάξετε την κασέτα μπαταριών, αν είναι συνδεδεμένη, από το ηλεκτρικό εργαλείο πριν κάνετε οποιοσδήποτε ρυθμίσεις ή αλλαγές εξαρτημάτων και πριν αποθηκεύσετε τα ηλεκτρικά εργαλεία. Τέτοια προληπτικά μέτρα ασφαλείας μειώνουν τον κίνδυνο τυχαίας ενεργοποίησης του ηλεκτρικού εργαλείου.
4. Να αποθηκεύετε τα αδρανή ηλεκτρικά εργαλεία μακριά από παιδιά και να μην αφήνετε άτομα που δεν γνωρίζουν το ηλεκτρικό εργαλείο και αυτές τις οδηγίες να χειρίζονται το ηλεκτρικό εργαλείο. Τα ηλεκτρικά εργαλεία αποτελούν κίνδυνο στα χέρια ανειδίκευτων χειριστών.
5. Να συντηρείτε τα ηλεκτρικά εργαλεία και τα εξαρτήματα. Να ελέγχετε αν είναι ευθυγραμμισμένα σωστά τα κινούμενα μέρη, αν εμποδίζεται η ελεύθερη κίνηση τους, αν έχουν σπάσει κάποια εξαρτήματα, αλλά και κάθε άλλη κατάσταση που μπορεί να επηρεάσει τη λειτουργία των ηλεκτρικών εργαλείων. Αν το ηλεκτρικό εργαλείο υποστεί βλάβη, να φροντίσετε να επισκευαστεί πριν το χρησιμοποιήσετε. Πολλά ατυχήματα προκαλούνται από ηλεκτρικά εργαλεία που δεν έχουν συντηρηθεί σωστά.

6. **Να διατηρείτε τα κοπτικά εργαλεία αιχμηρά και καθαρά.** Τα κοπτικά εργαλεία που έχουν συντηρηθεί σωστά είναι λιγότερο πιθανό να εμπλακούν και πιο εύκολο να ελεγχθούν.
7. **Να χρησιμοποιείτε το ηλεκτρικό εργαλείο, τα εξαρτήματα και τις μύτες του εργαλείου, κτλ. σύμφωνα με αυτές τις οδηγίες, λαμβάνοντας υπόψη τις συνθήκες εργασίας και την εργασία που πρέπει να εκτελεστεί.** Εάν χρησιμοποιείτε το ηλεκτρικό εργαλείο για λειτουργίες διαφορετικές από αυτές για τις οποίες προορίζεται, μπορεί να προκληθεί κάποια επικίνδυνη κατάσταση.
8. **Να διατηρείτε τις λαβές και τις επιφάνειες χειρολαβών στεγνές, καθαρές, χωρίς λάδι και γράσο.** Οι ολισθηρές λαβές και επιφάνειες χειρολαβών δεν επιτρέπουν τον ασφαλή χειρισμό και έλεγχο του εργαλείου σε αναπάντεχες καταστάσεις.
9. **Όταν χρησιμοποιείτε το εργαλείο, μη φοράτε πάντα γάντια εργασίας που μπορεί να εμπλακούν.** Η εμπλοκή των πινάνων γαντιών εργασίας μέσα στα κινούμενα μέρη μπορεί να έχουν ως αποτέλεσμα προσωπικό τραυματισμό.

### Σέρβις

1. **Να φροντίζετε το σέρβις του ηλεκτρικού εργαλείου σας να γίνεται από αρμόδιο επαγγελματία χρησιμοποιώντας μόνο γνήσια ανταλλακτικά.** Έτσι θα είστε σίγουροι για τη διατήρηση της ασφάλειας του ηλεκτρικού εργαλείου.
2. **Να ακολουθείτε τις οδηγίες για τη λίπανση και την αλλαγή των αξεσουάρ.**

## Οδηγίες ασφάλειας για πριόνια λοξότμησης

1. **Τα πριόνια λοξότμησης προορίζονται για την κοπή ξύλου ή ξυλοειδών προϊόντων. Δεν μπορούν να χρησιμοποιηθούν με λειαντικούς τροχούς αποκοπής για την κοπή σιδηρούχων υλικών όπως μπάρες, ράβδους, στελέχη, κτλ.** Η λειαντική σκόνη προκαλεί την εμπλοκή των κινούμενων μερών, όπως του κάτω προφυλακτήρα. Οι σπινθήρες από τη λειαντική κοπή θα κάψουν τον κάτω προφυλακτήρα, το ένθετο εγκοπής και άλλα πλαστικά μέρη.
  2. **Χρησιμοποιήστε συγκρατητές για να στηρίξετε το τεμάχιο εργασίας, όπου είναι εφικτό. Αν στηρίζετε το τεμάχιο εργασίας με το χέρι, πρέπει πάντα να έχετε το χέρι σας τουλάχιστον 100 mm από κάθε πλευρά της λάμας πριονιού. Μη χρησιμοποιείτε αυτό το πριόνι για να κόψετε κομμάτια που είναι πολύ μικρά για να συγκρατήσετε με ασφάλεια ή να κρατήσετε με το χέρι.** Αν τοποθετήσετε το χέρι σας πολύ κοντά στη λάμα πριονιού, υπάρχει αυξημένος κίνδυνος τραυματισμού λόγω επαφής με τη λάμα.
  3. **Το τεμάχιο εργασίας πρέπει να είναι ακινητοποιημένο και να συγκρατείται ή να κρατείται επάνω στο φράχτη και τον πάγκο. Μην τροφοδοτείτε ποτέ το τεμάχιο εργασίας στη λάμα και μην κόβετε «με το χέρι».** Τα τεμάχια εργασίας που δεν συγκρατούνται ή που κινούνται μπορούν να εκτοξευτούν με υψηλή ταχύτητα, προκαλώντας τραυματισμό.
  4. **Σπρώξτε το πριόνι μέσα από το τεμάχιο εργασίας. Μην τραβάτε το πριόνι μέσα από το τεμάχιο εργασίας. Για να κάνετε μια κοπή, σηκώστε την κεφαλή πριονιού και τραβήξτε και βγάλετε την από το τεμάχιο εργασίας χωρίς κοπή, εκκινήστε το μοτέρ, πιέστε την κεφαλή πριονιού προς τα κάτω και σπρώξτε το πριόνι μέσα από το τεμάχιο εργασίας.** Αν κόβετε στη διαδρομή τραβήγματος, είναι πιθανό η λάμα πριονιού να αναρριχηθεί στο πάνω μέρος του τεμαχίου εργασίας και να πετάξει βίαια τη διάταξη λάμας προς το χειριστή.
  5. **Μην περνάτε ποτέ το χέρι σας πάνω από την ενδεξιμένη γραμμή κοπής, ούτε μπροστά ούτε πίσω από τη λάμα πριονιού.** Είναι πολύ επικίνδυνο να στηρίζετε το τεμάχιο εργασίας με διασταυρωμένα χέρια, δηλαδή κρατάτε το τεμάχιο εργασίας στα δεξιά της λάμας πριονιού με το αριστερό χέρι σας, ή αντίστροφα.
- **Εικ.1**
6. **Μη απλώνετε οποιοδήποτε χέρι πίσω από το φράχτη πιο κοντά από 100 mm από οποιαδήποτε πλευρά της λάμας πριονιού για να απομακρύνετε υπολείμματα ξύλου ή για οποιοδήποτε άλλο λόγο ενώ η λάμα περιστρέφεται.** Η απόσταση της περιστρεφόμενης λάμας από το χέρι σας μπορεί να μην είναι προφανής και να τραυματιστείτε σοβαρά.
  7. **Επιθεωρήστε το τεμάχιο εργασίας σας πριν την κοπή. Αν το τεμάχιο εργασίας είναι καμπυλωμένο ή περιστραμμένο, συγκρατήστε το με την εξωτερική πρόσοψη της καμπύλης προς το φράχτη. Να βεβαιώνετε πάντα ότι δεν υπάρχει κενό μεταξύ του τεμαχίου εργασίας, του φράχτη και του πάγκου κατά μήκος της γραμμής κοπής.** Τα λυσιμένα ή περιστραμμένα τεμάχια εργασίας μπορούν να συστραφούν ή να μετατοπιστούν, και μπορεί να εμπλακούν στην περιστρεφόμενη λάμα πριονιού κατά την κοπή. Δεν πρέπει να υπάρχουν καρφιά ή ξένα αντικείμενα στο τεμάχιο εργασίας.
  8. **Μη χρησιμοποιείτε το πριόνι αν υπάρχουν εργαλεία, υπολείμματα ξύλου, κτλ. επάνω στον πάγκο, θα πρέπει να υπάρχει μόνο το τεμάχιο εργασίας.** Τα υπολείμματα μικρού μεγέθους ή τα χαλαρά κομμάτια ξύλου ή άλλα αντικείμενα που μπορεί να έρθουν σε επαφή με την περιστρεφόμενη λάμα μπορεί να εκτοξευτούν με υψηλή ταχύτητα.
  9. **Μην κόβετε ποτέ περισσότερα από ένα τεμάχια εργασίας ταυτόχρονα.** Τα πολλά στοιβαγμένα τεμάχια εργασίας δεν γίνεται να συγκρατηθούν ή να στηριχθούν σωστά και μπορεί να εμπλακούν στη λάμα ή να μετατοπιστούν κατά την κοπή.
  10. **Βεβαιωθείτε ότι το πριόνι λοξότμησης είναι στερεωμένο ή τοποθετημένο σε μια επίπεδη, σταθερή επιφάνεια πριν τη χρήση.** Μια επίπεδη και σταθερή επιφάνεια εργασίας μειώνει τον κίνδυνο αστάθειας του πριονιού λοξότμησης.
  11. **Να προγραμματίζετε την εργασία σας. Κάθε φορά που αλλάζετε τη ρύθμιση της κωνικής γωνίας ή της λοξής γωνίας, να βεβαιώνετε ότι ο ρυθμιζόμενος φράχτης είναι σωστά ρυθμισμένος για να στηρίζει το τεμάχιο εργασίας καθώς και ότι δεν παρεμβαίνει με τη λάμα ή το σύστημα προστασίας. Χωρίς να ενεργοποιήσετε το εργαλείο και χωρίς τεμάχιο εργασίας στον πάγκο, μετακινήστε τη λάμα πριονιού σε μια ολοκληρωμένη προσομοιωμένη κοπή για να βεβαιωθείτε ότι δεν θα υπάρχει καμία παρεμβολή ή κίνδυνος κοπής του φράχτη.**

12. **Παράσχετε επαρκή στήριξη, όπως επεκτάσεις πάγκου, τρίποδα πριονίσματος, κτλ. για ένα τεμάχιο εργασίας με πλάτος ή μήκος μεγαλύτερο από την επιφάνεια του πάγκου.** Τα τεμάχια εργασίας που είναι μακρύτερα ή πλατύτερα από τον πάγκο του πριονιού λοξότμησης μπορούν να ανατραπούν αν δεν υποστηρίζονται με ασφάλεια. Αν το αποκομμένο κομμάτι ή το τεμάχιο εργασίας ανατραπεί, μπορεί να ανασηκωθεί ο κάτω προφυλακτήρας ή να εκτοξευτεί από την περιστρεφόμενη λάμα.
  13. **Μη χρησιμοποιείτε κάποιο άλλο άξιο ως υποκατάστατο μιας επέκτασης πάγκου ή ως επιπρόσθετη στήριξη.** Η ασταθής στήριξη του τεμαχίου εργασίας μπορεί να προκαλέσει την εμπλοκή της λάμας ή τη μετατόπιση του τεμαχίου εργασίας κατά την εργασία κοπής, τραβώντας εσάς και το βιοθό μεσα στην περιστρεφόμενη λάμα.
  14. **Το αποκομμένο κομμάτι δεν πρέπει να εμπλακεί ή να πιεστεί με οποιονδήποτε τρόπο επάνω σε μια περιστρεφόμενη λάμα πριονιού.** Αν περιοριστεί, δηλ. με τη χρήση αναστολέων μήκους, το αποκομμένο κομμάτι μπορεί να σφηνώσει επάνω στη λάμα και να εκτοξευτεί βίαια.
  15. **Να χρησιμοποιείτε πάντα συγκατατήρα ή μηχανισμό που έχει σχεδιαστεί για τη σωστή στήριξη στρογγυλεμένων υλικών όπως ράβδους ή σωληνώσεις.** Οι ράβδοι έχουν την τάση να κυλιούνται ενώ κόβονται, προκαλώντας την εμπλοκή της λάμας και το τράβηγμα του τεμαχίου εργασίας μαζί με το χέρι σας μέσα στη λάμα.
  16. **Αφήστε τη λάμα να αποκτήσει μέγιστη ταχύτητα πριν έρθει σε επαφή με το τεμάχιο εργασίας.** Έτσι θα μειωθεί ο κίνδυνος εκτόξευσης του τεμαχίου εργασίας.
  17. **Αν το τεμάχιο εργασίας ή η λάμα εμπλακεί, απενεργοποιήστε το πριόνι λοξότμησης.** Περιμένετε να ακινητοποιηθούν όλα τα κινούμενα μέρη και αποσυνδέστε το φως από την πηγή τροφοδοσίας ή/και βγάλετε το πακέτο μπαταριών. Μετά, εργαστείτε για να ελευθερώσετε το υλικό που έχει εμπλακεί. Το συνεχιζόμενο πριόνισμα με τεμάχιο εργασίας που έχει εμπλακεί μπορεί να προκαλέσει την απώλεια ελέγχου ή ζημιά στο πριόνι λοξότμησης.
  18. **Αφού τελειώσετε την κοπή, αφήστε το διακόπτη, κρατήστε την κεφαλή πριονιού προς τα κάτω και περιμένετε να ακινητοποιηθεί η λάμα πριν αφαιρέσετε το αποκομμένο κομμάτι.** Είναι επικίνδυνο να τοποθετήσετε το χέρι σας κοντά σε λάμα που συνεχίζει να περιστρέφεται.
  19. **Χρησιμοποιείτε μόνο τη λάμα πριονιού με τη διάμετρο που είναι επισημασμένη στο εργαλείο ή που καθορίζεται στο εγχειρίδιο.** Η χρήση μιας λάμας πριονιού λανθασμένου μεγέθους μπορεί να επηρεάσει τη σωστή προστασία της λάμας πριονιού ή τη λειτουργία του προφυλακτήρα, γεγονός που μπορεί να έχει ως αποτέλεσμα σοβαρό προσωπικό τραυματισμό.
  20. **Να χρησιμοποιείτε μόνο λάμες πριονιού που είναι επισημασμένες με ταχύτητα ίση με ή υψηλότερη από την ταχύτητα που είναι επισημασμένη στο εργαλείο.**
  21. **Μην χρησιμοποιήσετε το πριόνι για να κόψετε υλικά διαφορετικά από αυτά που καθορίζονται.**
  22. **(Για τις Ευρωπαϊκές χώρες μόνο)**  
**Να χρησιμοποιείτε πάντα λάμα που συμμορφώνεται με το πρότυπο EN847-1, αν προορίζεται για ξύλο ή παρόμοια υλικά.**
1. **Χρησιμοποιήστε λουκέτα για να καταστήσετε το συνεργείο ασφαλές για παιδιά.**
  2. **Ποτέ μην στέκεστε πάνω στο εργαλείο.** Μπορεί να προκληθεί σοβαρός τραυματισμός αν το εργαλείο ανατραπεί ή αν αγγίξετε κατά λάθος το εργαλείο κοπής.
  3. **Μην αφήνετε ποτέ το εργαλείο σε λειτουργία αν δεν το προσέχετε.** Απενεργοποιήστε την ισχύ. Μην αφήσετε το εργαλείο μέχρι να ακινητοποιηθεί εντελώς.
  4. **Μη χειρίζεστε το εργαλείο χωρίς τους προφυλακτήρες στη θέση τους.** Ελέγξτε τον προφυλακτήρα λάμας για κανονικό κλείσιμο πριν από κάθε χρήση. Μη θέτετε το πριόνι σε λειτουργία αν ο προφυλακτήρας λάμας δεν κινείται ελεύθερα και δεν κλείνει αμέσως. Ποτέ μη σφίξετε ή δέσετε τον προφυλακτήρα λάμας στη θέση ανοίγματος.
  5. **Κρατάτε τα χέρια μακριά από την τροχιά της λάμας πριονιού.** Αποφύγετε την επαφή με οποιαδήποτε λάμα πριονιού συνεχίζει να περιστρέφεται. Μπορεί επίσης να προκαλέσουν σοβαρό τραυματισμό.
  6. **Για να μειώσετε τον κίνδυνο πρόκλησης τραυματισμού, να επιστρέψετε την κινητή βάση στην πλήρως πίσω θέση μετά από κάθε εργασία εγκάρσιας τομής.**
  7. **Να ασφαλίσετε πάντα όλα τα κινούμενα μέρηματα πριν μεταφέρετε το εργαλείο.**
  8. **Ο ανασταλτικός πείρος ή ο μοχλός αναστολής που κλειδώνει την κεφαλή πριονιού κάτω είναι μόνο για τον σκοπό μεταφοράς και αποθήκευσης και όχι για λειτουργίες κοπής.**
  9. **Πριν από τη λειτουργία, να ελέγχετε προσεκτικά τη λάμα πριονιού για ραγίσματα ή ζημιά.** Να αντικαθιστάτε αμέσως μια ραγισμένη ή κατεστραμμένη λάμα πριονιού. Η κόλλα και τα πριονίσματα ξύλου που έχουν ξεραθεί επάνω στις λάμες πριονιού επιβραδύνουν το πριόνι και αυξάνουν την πιθανότητα κλοστήματος. Διατηρείτε τη λάμα πριονιού καθαρή αφού πρώτα τη βγάλετε από το εργαλείο και μετά την καθαρίσετε με καθαριστικό για κόλλα και πριονίσματα, ζεστό νερό ή κηροζίνη. Μην χρησιμοποιείτε ποτέ βενζίνη για να καθαρίσετε τη λάμα πριονιού.
  10. **Ενώ πραγματοποιείτε μια ολισθητική κοπή, μπορεί να συμβεί ΚΛΟΤΣΗΜΑ. ΤΟ ΚΛΟΤΣΗΜΑ συμβαίνει όταν η λάμα πριονιού εμπλέκεται μέσα στο τεμάχιο εργασίας κατά την εργασία κοπής και η λάμα πριονιού οδηγείται γρήγορα προς το χειριστή. Μπορεί να προκληθεί απώλεια ελέγχου και σοβαρός προσωπικός τραυματισμός. Αν η λάμα πριονιού αρχίσει να εμπλέκεται κατά την εργασία κοπής, μη συνεχίσετε την κοπή και αφήστε το διακόπτη αμέσως.**
  11. **Χρησιμοποιείτε μόνο τις ειδικές φλάντζες για το εργαλείο αυτό.**
  12. **Προσέξτε να μη κάνετε ζημιά στην άτρακτο, στις φλάντζες (ειδικά στην επιφάνεια εγκατάστασης) ή στο μπουλόνι. Ζημιά στα εξαρτήματα αυτά μπορεί να προκαλέσει σπάσιμο της λάμας πριονιού.**

13. Να βεβαιώνετε ότι η περιστροφική βάση είναι κατάλληλα ασφαλισμένη, ώστε να μη μετακινηθεί κατά τη λειτουργία. Χρησιμοποιήστε τις σπές στη βάση για να στερεώσετε το πριόνι σε μια σταθερή πλατφόρμα εργασίας ή πάγκο. Μη χρησιμοποιείτε ΠΟΤΕ εργαλείο όταν η στάση του χειριστή μπορεί να είναι αδέξια.
  14. Να βεβαιώνετε ότι η ασφάλιση άξονα είναι ελεύθερη πριν ενεργοποιήσετε τον διακόπτη.
  15. Να βεβαιώνετε ότι η λάμα πριονιού δεν αγγίζει την περιστροφική βάση στην κατώτατη θέση.
  16. Να κρατάτε σταθερά τη λαβή. Έχετε υπόψη σας ότι το πριόνι κινείται πάνω και κάτω ελαφρά κατά το ξεκίνημα και το σταμάτημα.
  17. Να βεβαιώνετε ότι η λάμα πριονιού δεν αγγίζει το τεμάχιο εργασίας πριν την ενεργοποίηση του διακόπτη.
  18. Πριν από τη χρήση του εργαλείου πάνω σε πραγματικό τεμάχιο εργασίας, αφήστε τον σε λειτουργία για μικρό χρονικό διάστημα. Παρακολουθήστε το για κραδασμούς ή ταλαντεύσεις που μπορεί να δείχνουν κακή τοποθέτηση ή κακή ισοζύγηση λάμας πριονιού.
  19. Σταματήστε αμέσως τη λειτουργία εάν παρατηρήσετε κάτι αφύσικο.
  20. Μην προσπαθήσετε να κλειδώσετε τη σκανδάλη στη θέση «ΕΝΕΡΓΟΠΟΙΗΣΗΣ».
  21. Να χρησιμοποιείτε πάντα τα ανταλλακτικά που συνιστώνται στο εγχειρίδιο αυτό. Η χρήση ακατάλληλων ανταλλακτικών όπως λειαντικά τροχών μπορεί να προκαλέσει τραυματισμό.
  22. Μερικά υλικά περιέχουν χημικά που μπορεί να είναι τοξικά. Να προσέχετε ώστε να αποφεύγετε την εισπνοή σκόνης και την επαφή με το δέρμα. Να ακολουθείτε τα δεδομένα ασφάλειας του προμηθευτή υλικού.
- Πρόσθετοι κανόνες ασφάλειας για τη λυχνία λειτουργίας
1. Μην κοιτάζετε κατευθείαν μέσα στο φως ή στην πηγή φωτός.

## ΦΥΛΑΞΕΤΕ ΑΥΤΕΣ ΤΙΣ ΟΔΗΓΙΕΣ.

**▲ΠΡΟΕΙΔΟΠΟΙΗΣΗ:** ΜΗΝ επιτρέψετε στην άνεση ή στην εξοικείωσή σας με το προϊόν (που αποκτήθηκε από επανειλημμένη χρήση) να αντικαταστήσει την αυστηρή τήρηση των κανόνων ασφαλείας του παρόντος εργαλείου. Η ΛΑΘΑΙΑ ΧΡΗΣΗ ή η αμέλεια να ακολουθήσετε τους κανόνες ασφαλείας που διατυπώνονται στο παρόν εγχειρίδιο οδηγιών μπορεί να προκαλέσει σοβαρό προσωπικό τραυματισμό.

## ΠΕΡΙΓΡΑΦΗ ΕΞΑΡΤΗΜΑΤΩΝ

### ► Εικ.2

1	Ρυθμιστική βίδα (για θέση κάτω ορίου)	2	Ανασταλτικός βραχίονας	3	Σάκος σκόνης	4	Κεφαλόβίδα (για ολίσθηση κινητής βάσης)
5	Δείκτης (για κωνική γωνία)	6	Κλίμακα κωνικής γωνίας	7	Σύλος ολίσθησης	8	Κάθετη μέγγενη
9	Συρόμενος φράχτης	10	Ρυθμιστικό μπουλόνι 0° (για κωνική γωνία)	11	Φράχτης οδηγός	12	Βοηθητική βάση
13	Περιστροφική βάση	14	Κλίμακα λοξής γωνίας	15	Δείκτης (για λοξή γωνία)	16	Ξανίδα εγκοπής
17	Ρυθμιστικό μπουλόνι (για περιστροφική βάση)	18	Μοχλός ασφάλισης (για περιστροφική βάση)	19	Λαβή (για περιστροφική βάση)	20	Προστατευτικό συλλογής σκόνης
21	Προφυλακτήρας λάμας	22	Λυχνία	23	Λαβή (για λειτουργία)	24	Σκανδάλη διακόπτη
25	Οπή για λουκέτο	26	Κουμπί απασφάλισης	27	Λαβή μεταφοράς	-	-

### ► Εικ.3

1	Διακόπτης λυχνίας	2	Ασφάλεια άξονα	3	Ρυθμιστικό μπουλόνι (για μέγιστη ικανότητα κοπής)	4	Ανασταλτικός πείρος (για ανύψωση κινητής βάσης)
5	Πλάκα ρύθμισης	6	Εξαγωνικό κλειδί	7	Ρυθμιστικό μπουλόνι 45° (για κωνική γωνία)	8	Μοχλός (για κωνική γωνία)
9	Κουμπί ελευθέρωσης (για κωνική γωνία)	-	-	-	-	-	-

## ΤΟΠΟΘΕΤΗΣΗ

### Στερέωση στον πάγκο

**▲ΠΡΟΕΙΔΟΠΟΙΗΣΗ:** Βεβαιωθείτε ότι το εργαλείο δεν θα μετακινηθεί πάνω στην επιφάνεια στήριξης. Η μετακίνηση του πριονιού λοξότμησης πάνω στην επιφάνεια στήριξης κατά την κοπή μπορεί να καταλήξει σε απώλεια ελέγχου και σοβαρό τραυματισμό.

1. Στερεώστε τη βάση σε μια επίπεδη και σταθερή επιφάνεια, βιδώνοντας τα μπουλόνια. Αυτό βοηθάει στην αποφυγή ανατροπής και πιθανού τραυματισμού.  
► **Εικ.4:** 1. Μπουλόνι 2. Οπή στερέωσης

2. Γυρίστε το ρυθμιστικό μπουλόνι δεξιόστροφα ή αριστερόστροφα έτσι ώστε να έρθει σε επαφή με την επιφάνεια του πατώματος για να κρατάει το εργαλείο σταθερό.

► **Εικ.5:** 1. Ρυθμιστικό μπουλόνι

## ΠΕΡΙΓΡΑΦΗ ΛΕΙΤΟΥΡΓΙΑΣ

**▲ ΠΡΟΕΙΔΟΠΟΙΗΣΗ:** Να βεβαιώνεστε πάντα ότι το εργαλείο είναι σβηστό και αποσυνδεδεμένο από την ηλεκτρική παροχή πριν ρυθμίσετε ή ελέγχετε κάποια λειτουργία του εργαλείου. Αν δεν σβήσετε το εργαλείο και δεν το αποσυνδέσετε από το ηλεκτρικό ρεύμα, μπορεί να προκληθεί σοβαρός προσωπικός τραυματισμός από την τυχαία εκκίνηση.

### Κλειδωμα λαβής

**▲ ΠΡΟΣΟΧΗ:** Να κρατάτε πάντα τη λαβή όταν ελευθερώνετε τον ανασταλτικό πείρο. Διαφορετικά, η λαβή πετάγεται με ελατήριο και μπορεί να προκληθεί προσωπικός τραυματισμός.

Κατά την αποστολή του εργαλείου, η λαβή είναι κλειδωμένη στη χαμηλωμένη θέση με τον ανασταλτικό πείρο. Για να ξεκλειδώσετε τη λαβή, τραβήξτε τον ανασταλτικό πείρο ενώ χαμηλώνετε λίγο τη λαβή.

► **Εικ.6:** 1. Ανασταλτικός πείρος

### Ολισθαίνον κλείδωμα

Για να επιτρέψετε την κίνηση ολίσθησης της κινητής βάσης, χαλαρώστε την κεφαλόβιδα στον βραχίονα. Για να ασφαλίσετε την κίνηση ολίσθησης της κινητής βάσης, μετακινήστε την κινητή βάση στη θέση που επιθυμείτε και, στη συνέχεια, σφίξτε καλά την κεφαλόβιδα.

► **Εικ.7:** 1. Κεφαλόβιδα 2. Βραχίονας

### Προφυλακτήρας λάμας

**▲ ΠΡΟΕΙΔΟΠΟΙΗΣΗ:** Ποτέ μην εξουδετερώσετε ή αφαιρέσετε τον προφυλακτήρα λάμας ή το ελατήριο που προσαρμόζεται στον προφυλακτήρα. Μια εκτεθειμένη λάμα δισκοπρίονου λόγω αχρήστευσης του προφυλακτήρα μπορεί να καταλήξει σε σοβαρό προσωπικό τραυματισμό στη διάρκεια της λειτουργίας.

**▲ ΠΡΟΕΙΔΟΠΟΙΗΣΗ:** Μην χρησιμοποιείτε το εργαλείο αν ο προφυλακτήρας λάμας ή το ελατήριο παρουσιάζει ζημιά, βλάβη ή έχει αφαιρεθεί. Η λειτουργία του εργαλείου με προφυλακτήρα ο οποίος έχει υποστεί ζημιά, είναι ελαττωματικός ή έχει αφαιρεθεί μπορεί να καταλήξει σε σοβαρό τραυματισμό.

**▲ ΠΡΟΣΟΧΗ:** Για ασφαλή λειτουργία, να διατηρείτε πάντα τον προφυλακτήρα λάμας σε καλή κατάσταση. Διακόψτε αμέσως τη λειτουργία στην περίπτωση που υπάρχουν ανωμαλίες στον προφυλακτήρα λάμας. Ελέγξτε να βεβαιωθείτε για τη δράση του ελατηρίου επαναφοράς του προφυλακτήρα.

Όταν χαμηλώνετε τη λαβή, ο προφυλακτήρας λάμας ανυψώνεται αυτόματα. Ο προφυλακτήρας έχει ελατήρια ώστε να επιστρέφει στην αρχική του θέση όταν η κοπή έχει συμπληρωθεί και η λαβή έχει ανυψωθεί.

► **Εικ.8:** 1. Προφυλακτήρας λάμας

## Καθαρισμός

Εάν συσσωρευτούν ακαθαρσίες στο διάφανο προφυλακτήρα λάμας, ή έχει προσκολληθεί πριονίδι στο διάφανο προφυλακτήρα λάμας, με τέτοιο τρόπο ώστε να μην είναι πλέον ορατή η λάμα δισκοπρίονου ή/και το τεμάχιο εργασίας, αποσυνδέστε το εργαλείο από το ηλεκτρικό ρεύμα και καθαρίστε τον προφυλακτήρα με προσοχή χρησιμοποιώντας ένα υγρό πανί. Μην χρησιμοποιείτε διαλυτικά ή οποιοδήποτε καθαριστικό που έχει βάση το πετρέλαιο στον πλαστικό προφυλακτήρα επειδή αυτό μπορεί να προκαλέσει ζημιά στον προφυλακτήρα. Ακολουθήστε τις βηματικές οδηγίες που παρατίθενται στον τρόπο προετοιμασίας για καθαρισμό.

1. Βεβαιωθείτε ότι το εργαλείο είναι σβηστό και αποσυνδεδεμένο από την ηλεκτρική παροχή.
  2. Περιστρέψτε το εξαγωνικό μπουλόνι αριστερόστροφα χρησιμοποιώντας το παρεχόμενο εξαγωνικό κλειδί ενώ κρατάτε το κεντρικό κάλυμμα.
  3. Σηκώστε τον προφυλακτήρα λάμας και το κάλυμμα κέντρου.
  4. Όταν ολοκληρωθεί ο καθαρισμός, επιστρέψτε το κεντρικό κάλυμμα και σφίξτε το εξαγωνικό μπουλόνι εκτελώντας τα ανωτέρω βήματα με αντίστροφη σειρά.
- **Εικ.9:** 1. Εξαγωνικό κλειδί 2. Μπουλόνι εξαγωνικού κοιλώματος 3. Κάλυμμα κέντρου 4. Προφυλακτήρας λάμας

**▲ ΠΡΟΕΙΔΟΠΟΙΗΣΗ:** Μην αφαιρέσετε τον ελατηριωτό προφυλακτήρα λάμας. Εάν ο προφυλακτήρας υποστεί φθορά με την πάροδο του χρόνου ή έκθεσης σε ακτινοβολία UV, απευθυνθείτε σε κάποιο κέντρο σέρβις της Makita για αντικατάσταση. **ΜΗΝ ΕΞΟΥΔΕΤΕΡΩΣΕΤΕ Ή ΑΦΑΙΡΕΣΕΤΕ ΤΟΝ ΠΡΟΦΥΛΑΚΤΗΡΑ.**

### Τοποθέτηση σανίδων εγκοπών

Αυτό το εργαλείο είναι εφοδιασμένο με τις σανίδες εγκοπών στην περιστροφική βάση του για να ελαχιστοποιεί το σχίσιμο στην πλευρά εξόδου κοπής. Οι σανίδες εγκοπών είναι εργοστασιακά ρυθμισμένες έτσι ώστε η λάμα δισκοπρίονου να μην κάνει επαφή με τις σανίδες εγκοπών. Πριν από τη χρήση, ρυθμίστε τις σανίδες εγκοπών ως εξής:

1. Βεβαιωθείτε ότι το εργαλείο δεν είναι συνδεδεμένο στην ηλεκτρική παροχή. Μετά, χαλαρώστε όλες τις βίδες (από τρεις στα αριστερά και δεξιά) που ασφαλίζουν τις σανίδες εγκοπών.
- **Εικ.10:** 1. Σανίδα εγκοπής 2. Βίδα
2. Ξανασφίξτε τις βίδες έτσι ώστε οι σανίδες εγκοπών να μπορούν να κινηθούν με το χέρι.
3. Χαμηλώστε τη λαβή πλήρως και, στη συνέχεια, ασφαλίστε τη λαβή στην χαμηλωμένη θέση με τον ανασταλτικό πείρο.
4. Χαλαρώστε την κεφαλόβιδα στον βραχίονα που ασφαλίζει την κίνηση ολίσθησης της κινητής βάσης. Τραβήξτε την κινητή βάση πλήρως προς το μέρος σας.
- **Εικ.11:** 1. Κεφαλόβιδα 2. Βραχίονας

5. Ρυθμίστε τις σανίδες εγκοπών έτσι ώστε να είναι κοντά στις πλευρές των δοντιών της λάμας πριονιού.

► **Εικ.12**

- **Εικ.13:** 1. Λάμα δισκοπρίονου 2. Δόντια λάμας 3. Σανίδα εγκοπής 4. Αριστερή κωνική κοπή 5. Ίσια κοπή



6. Σφίξτε τις εμπρόσθιες βίδες (μην τις σφίξτε πολύ).
7. Σύρετε την κινητή βάση στη θέση μεταξύ του μπροστινού άκρου των σανίδων εγκοπής και φραχτών οδηγών. Ρυθμίστε τις σανίδες εγκοπών έτσι ώστε να είναι κοντά στις πλευρές των δοντιών της λάμας πριονιού.
8. Σφίξτε τις κεντρικές βίδες (μην τις σφίξτε πολύ).
9. Σπρώξτε την κινητή βάση προς τους φράχτες οδηγούς πλήρως και, στη συνέχεια, ρυθμίστε τις σανίδες εγκοπών έτσι ώστε να βρίσκονται κοντά στις πλευρές των δοντιών της λάμας πριονιού.
10. Σφίξτε τις πίσω βίδες (μην τις σφίξτε πολύ).
11. Ελευθερώστε τον ανασταλτικό πείρο για το κλειδί λαβής και σηκώστε τη λαβή. Μετά σφίξτε όλες τις βίδες με ασφάλεια.

**ΕΙΔΟΠΟΙΗΣΗ:** Μόλις ρυθμίσετε την κωνική γωνία, βεβαιωθείτε ότι οι σανίδες εγκοπών είναι ρυθμισμένες κατάλληλα. Η σωστή ρύθμιση των σανίδων εγκοπών διευκολύνει την κατάλληλη στήριξη του τεμαχίου εργασίας ελαχιστοποιώντας το σχίσσιμο του τεμαχίου εργασίας.

## Διατήρηση της μέγιστης ικανότητας κοπής

Αυτό το εργαλείο είναι εργοστασιακά ρυθμισμένο για να παρέχει τη μέγιστη ικανότητα κοπής για μια λάμα δισκοπριονίου 216 mm.

Όταν τοποθετείτε μια νέα λάμα δισκοπριονίου, πάντοτε να ελέγχετε την κάτω οριακή θέση της λάμας δισκοπριονίου, και εάν είναι απαραίτητο, ρυθμίστε ως εξής:

1. Αποσυνδέστε το εργαλείο από την παροχή ρεύματος. Μετά, τραβήξτε την κινητή βάση προς το φράχτη οδηγού πλήρως και χαμηλώστε εντελώς τη λαβή.
  2. Χρησιμοποιήστε το εξαγωνικό κλειδί (πλευρά κατασβιδιού) για να περιστρέψετε το ρυθμιστικό μπουλόνι μέχρι η λάμα δισκοπριονίου να έρθει λίγο κάτω από τη διατομή του φράχτη οδηγού και την άνω επιφάνεια της περιστροφικής βάσης.
- **Εικ.14:** 1. Ρυθμιστικό μπουλόνι 2. Φράχτης οδηγός
- **Εικ.15**

3. Περιστρέψτε τη λάμα δισκοπριονίου με το χέρι ενώ κρατάτε τη λαβή τέρμα κάτω για να βεβαιωθείτε ότι η λάμα δισκοπριονίου δεν έρχεται σε επαφή με κανένα τμήμα της κάτω βάσης. Ρυθμίστε ξανά τη μέγιστη ικανότητα κοπής, αν απαιτείται.

**ΠΡΟΕΙΔΟΠΟΙΗΣΗ:** Μετά από την τοποθέτηση νέας λάμας δισκοπριονίου και με το εργαλείο αφαιρεμένο, φροντίστε κάθε φορά ώστε η λάμα δισκοπριονίου να μην έρχεται σε επαφή με οποιοδήποτε μέρος της κάτω βάσης όταν χαμηλώνετε πλήρως τη λαβή. Σε περίπτωση επαφής της λάμας δισκοπριονίου με τη βάση, μπορεί να προκληθεί κλότσημα και σοβαρός τραυματισμός.

► **Εικ.16**

## Ανασταλτικός βραχίονας

Η θέση κάτω ορίου της λάμας πριονιού μπορεί εύκολα να ρυθμιστεί με τον ανασταλτικό βραχίονα. Για τη ρύθμισή του κάτω ορίου, γυρίστε τον ανασταλτικό βραχίονα προς την κατεύθυνση του βέλους όπως απεικονίζεται στην εικόνα. Γυρίστε τη ρυθμιστική βίδα με τρόπο ώστε η λάμα πριονιού να σταματήσει στην επιθυμητή θέση όταν χαμηλώνετε πλήρως τη λαβή.

► **Εικ.17:** 1. Ανασταλτικός βραχίονας 2. Ρυθμιστική βίδα

## Ρύθμιση της λοξής γωνίας

**ΠΡΟΣΟΧΗ:** Αφού αλλάξετε τη λοξή γωνία, πάντοτε να ασφαλίσετε την περιστροφική βάση σφίγγοντας τη λαβή σταθερά.

**ΕΙΔΟΠΟΙΗΣΗ:** Όταν γυρίζετε την περιστροφική βάση, να βεβαιώνετε ότι ανυψώνετε τη λαβή εντελώς.

Περιστρέψτε τη λαβή αριστερόστροφα για να απασφαλίσετε την περιστροφική βάση. Περιστρέψτε τη λαβή ενώ κρατάτε πάνω το μοχλό ασφάλισης για να μετακινήσετε την περιστροφική βάση. Ευθυγραμμίστε τον δείκτη με την επιθυμητή γωνία στην κλίμακα λοξής γωνίας και μετά σφίξτε τη λαβή.

► **Εικ.18:** 1. Μοχλός ασφάλισης 2. Λαβή 3. Δείκτης

## Λειτουργία θετικής διακοπής

Αυτό το πριόνι λοξότμησης χρησιμοποιεί τη λειτουργία θετικής διακοπής. Μπορείτε να ρυθμίσετε γρήγορα δεξιά/αριστερή λοξή γωνία 0°, 15°, 22,5°, 31,6° και 45°. Για να χρησιμοποιήσετε αυτή τη λειτουργία, μετακινήστε την περιστροφική βάση κοντά στην επιθυμητή γωνία θετικής διακοπής ενώ κρατάτε πάνω το μοχλό ασφάλισης. Μετά, απελευθερώστε το μοχλό ασφάλισης και μετακινήστε την περιστροφική βάση προς την επιθυμητή γωνία θετικής διακοπής μέχρι να ασφαλιστεί η περιστροφική βάση.

## Ρύθμιση της κωνικής γωνίας

**ΠΡΟΣΟΧΗ:** Αφού αλλάξετε την κωνική γωνία, πάντοτε να ασφαλίσετε το βραχίονα σφίγγοντας το μοχλό δεξιόστροφα.

**ΕΙΔΟΠΟΙΗΣΗ:** Να αφαιρείτε πάντα την κάθετη μέγγενη πριν ρυθμίσετε την κωνική γωνία.

**ΕΙΔΟΠΟΙΗΣΗ:** Όταν γέρνετε τη λάμα δισκοπριονίου, να φροντίζετε ώστε η κινητή βάση να είναι πλήρως ανυψωμένη.

**ΕΙΔΟΠΟΙΗΣΗ:** Όταν αλλάξετε κωνικές γωνίες, να βεβαιώνετε ότι επανατοποθετείτε τις σανίδες εγκοπών κατάλληλα όπως εξηγείται στην ενότητα για την τοποθέτηση των σανίδων εγκοπών.

**ΕΙΔΟΠΟΙΗΣΗ:** Μη σφίξτε τον μοχλό πολύ δυνατά. Αν το κάνετε αυτό, μπορεί να προκληθεί δυσλειτουργία του μηχανισμού ασφάλισης της κωνικής γωνίας.



## Κλίση της λάμας δισκοπρίονου προς τα αριστερά 0° - 45°

1. Περιστρέψτε τον μοχλό αριστερόστροφα.
  2. Κρατήστε τη λαβή και γείρετε την κινητή βάση προς τα αριστερά.
  3. Ευθυγραμμίστε τον δείκτη με την επιθυμητή γωνία στην κλίμακα κωνικής γωνίας.
  4. Σφίξτε τον μοχλό δεξιόστροφα για να ασφαλίσετε τον βραχίονα.
- **Εικ.19:** 1. Μοχλός 2. Λαβή 3. Δείκτης 4. Κλίμακα κωνικής γωνίας

## Κλίση της λάμας δισκοπρίονου πέρα από αριστερά 0° - 45°

1. Περιστρέψτε τον μοχλό αριστερόστροφα.
2. Κρατήστε τη λαβή και θέστε την κινητή βάση στις 0° για τη δεξιά πλευρά 2° ή στις 45° για την αριστερή πλευρά 47°.
3. Γείρετε λίγο την κινητή βάση προς την αντίθετη πλευρά.
4. Πατήστε το κουμπί ελευθέρωσης.
5. Γείρετε την κινητή βάση στην επιθυμητή θέση πέρα από το εύρος 0° - 45°.
6. Σφίξτε τον μοχλό δεξιόστροφα για να ασφαλίσετε τον βραχίονα.

**Όταν γέρνετε την κινητή βάση προς τα δεξιά 2°**

- **Εικ.20:** 1. Μοχλός 2. Λαβή 3. Κουμπί ελευθέρωσης

**Όταν γέρνετε την κινητή βάση προς τα αριστερά 47°**

- **Εικ.21:** 1. Μοχλός 2. Λαβή 3. Κουμπί ελευθέρωσης

## Δράση διακόπτη

**▲ΠΡΟΕΙΔΟΠΟΙΗΣΗ:** Πριν από τη σύνδεση του εργαλείου στην ηλεκτρική παροχή, να ελέγχετε πάντα ότι η σκανδάλη διακόπτη ενεργοποιείται σωστά και επιστρέφει στην ανενεργή θέση «ΑΝΕΝΕΡΓΟ» όταν την αφήνετε. Μην τραβάτε τη σκανδάλη διακόπτη δυνατά χωρίς να πατήσετε μέσα το κουμπί κλειδώματος. Αυτό μπορεί να προκαλέσει βλάβη του διακόπτη. Η λειτουργία ενός εργαλείου με διακόπτη ο οποίος δεν ενεργοποιείται κατάλληλα μπορεί να οδηγήσει σε απώλεια ελέγχου και σοβαρό τραυματισμό.

**▲ΠΡΟΕΙΔΟΠΟΙΗΣΗ:** Μη χρησιμοποιείτε ΠΟΤΕ εργαλείο χωρίς πλήρως λειτουργική σκανδάλη διακόπτη. Οποιοδήποτε εργαλείο με διακόπτη εκτός λειτουργίας είναι ΕΞΑΙΡΕΤΙΚΑ ΕΠΙΚΙΝΔΥΝΟ και απαιτείται η επισκευή του πριν από περαιτέρω χρήση. Διαφορετικά μπορεί να προκληθεί σοβαρός προσωπικός τραυματισμός.

**▲ΠΡΟΕΙΔΟΠΟΙΗΣΗ:** Μη παρακάμπετε ΠΟΤΕ το κουμπί απασφάλισης συγκρατώντας το πιεσμένο με αυτοκόλλητη ταινία ή άλλο μέσο. Ένας διακόπτης με παραβιασμένο κουμπί απασφάλισης μπορεί να προκαλέσει ακούσια λειτουργία και σοβαρό ατομικό τραυματισμό.

**▲ΠΡΟΕΙΔΟΠΟΙΗΣΗ:** Μη χρησιμοποιείτε ΠΟΤΕ το εργαλείο αν μπορείτε να το θέσετε σε λειτουργία πιέζοντας απλά τη σκανδάλη διακόπτη, χωρίς να πατήσετε και το κουμπί απασφάλισης. Ένας διακόπτης που απαιτεί επισκευή μπορεί να προκαλέσει ακούσια λειτουργία και σοβαρό ατομικό τραυματισμό. Στείλτε το εργαλείο σε κέντρο εξυπηρέτησης της Makita για να το επισκευάσουν σωστά ΠΡΙΝ το χρησιμοποιήσετε ξανά.

Για να εμποδιστεί το τυχαίο τράβηγμα της σκανδάλης διακόπτη, υπάρχει ένα κουμπί κλειδώματος. Για να ξεκινήσει το εργαλείο, πατήστε μέσα το κουμπί κλειδώματος και πατήστε τη σκανδάλη διακόπτη. Ελευθερώστε τη σκανδάλη διακόπτη για να σταματήσει. Παρέχεται οπή στη σκανδάλη διακόπτη για την εισαγωγή λουκέτου, ώστε να επιτυγχάνεται κλειδωμά του εργαλείου.

- **Εικ.22:** 1. Σκανδάλη διακόπτης 2. Κουμπί κλειδώματος 3. Οπή λουκέτου

**▲ΠΡΟΕΙΔΟΠΟΙΗΣΗ:** Μη χρησιμοποιείτε λουκέτο με στέλεχος ή συρματόσχοινο με διάμετρο μικρότερη από 6,35 mm. Ένα μικρότερο στέλεχος ή συρματόσχοινο μπορεί να μην ασφαλίζει κατάλληλα το εργαλείο στην ανενεργή θέση και μπορεί να προκληθεί ανεπιθύμητη λειτουργία και πρόκληση σοβαρού τραυματισμού.

## Δημιουργία γραμμής κοπής

**⚠ ΠΡΟΣΟΧΗ:** Η λυχνία δεν είναι αδιάβροχη. Μην πλένετε τη λυχνία με νερό και μην την χρησιμοποιείτε στη βροχή ή σε βρεγμένη περιοχή. Κάτι τέτοιο μπορεί να προκαλέσει ηλεκτροπληξία και αναθυμιάσεις.

**⚠ ΠΡΟΣΟΧΗ:** Μην αγγίζετε το φακό της λυχνίας επειδή είναι πολύ ζεστή ενόσω είναι αναμμένη ή λίγο αφού σβήσει. Μπορεί να προκληθούν εγκαύματα.

**⚠ ΠΡΟΣΟΧΗ:** Μην ασκείτε δύναμη στη λυχνία επειδή μπορεί να προκληθεί ζημιά σε αυτή ή να συντομεύσει η διάρκεια λειτουργίας της.

**⚠ ΠΡΟΣΟΧΗ:** Μην κοιτάζετε κατευθείαν μέσα στο φως ή στην πηγή φωτός.

Η λυχνία LED ρίχνει ένα φως πάνω στη λάμα δισκοπρίονου και μια σκιά της λάμας πριονιού πέφτει στο τεμάχιο εργασίας, εξηπηρετώντας ως μια γραμμική ένδειξη κοπής χωρίς βαθμονόμηση. Πατήστε τον διακόπτη λυχνίας για να ρίξετε το φως. Εμφανίζεται η γραμμή στην οποία η λάμα πριονιού θα συναντήσει την επιφάνεια του τεμαχίου εργασίας, η οποία θα γίνεται πιο βαθιά καθώς η λάμα πριονιού χαμηλώνεται.

► **Εικ.23:** 1. Διακόπτης λυχνίας 2. Λυχνία 3. Γραμμή κοπής

Η ένδειξη βοηθάει στην κοπή μιας υπάρχουσας γραμμής κοπής που έχει σχεδιαστεί με μολύβι σε ένα τεμάχιο εργασίας.

1. Κρατήστε τη λαβή και χαμηλώστε τη λάμα δισκοπρίονου, ώστε να πέσει μια πυκνή σκιά της λάμας πριονιού επάνω στο τεμάχιο εργασίας.
2. Ευθυγραμμίστε μια γραμμή κοπής που έχει σχεδιαστεί στο τεμάχιο εργασίας με τη γραμμή κοπής από τη σκιά.
3. Ρυθμίστε τις λοξές γωνίες και τις κωνικές γωνίες, αν απαιτείται.

**ΠΑΡΑΤΗΡΗΣΗ:** Βεβαιωθείτε να κλείσετε τον διακόπτη λυχνίας μετά τη χρήση. Διαφορετικά, η λυχνία θα παραμείνει ζεστή.

## ΣΥΝΑΡΜΟΛΟΓΗΣΗ

**⚠ ΠΡΟΕΙΔΟΠΟΙΗΣΗ:** Να βεβαιώνετε πάντα ότι το εργαλείο είναι σβηστό και αποσυνδεδεμένο από την πρίζα πριν εκτελέσετε οποιαδήποτε εργασία στο εργαλείο. Αν δεν σβήσετε το εργαλείο και δεν τον αποσυνδέσετε από την πρίζα μπορεί να καταλήξει σε σοβαρό τραυματισμό.

## Φύλαξη εξαγωνικού κλειδιού

Όταν δεν χρησιμοποιείτε το εξαγωνικό κλειδί, αποθηκεύστε το όπως απεικονίζεται, για να μην το χάσετε.

► **Εικ.24:** 1. Εξαγωνικό κλειδί

## Τοποθέτηση ή αφαίρεση λάμας δισκοπρίονου

**⚠ ΠΡΟΕΙΔΟΠΟΙΗΣΗ:** Να βεβαιώνετε πάντα ότι το εργαλείο είναι σβηστό και αποσυνδεδεμένο από την ηλεκτρική παροχή πριν αφαιρέσετε και τοποθετήσετε τη λάμα δισκοπρίονου. Η τυχαία εκκίνηση του εργαλείου μπορεί να καταλήξει σε σοβαρό προσωπικό τραυματισμό.

**⚠ ΠΡΟΕΙΔΟΠΟΙΗΣΗ:** Να χρησιμοποιείτε μόνο το παρεχόμενο κλειδί της Makita για να αφαιρέτε και να τοποθετείτε τη λάμα δισκοπρίονου. Η μη χρήση του κλειδιού μπορεί να καταλήξει σε υπερβολικό σφίξιμο ή ανεπαρκές σφίξιμο του μπουλονιού εξαγωνικού κοιλώματος και σοβαρό τραυματισμό.

**⚠ ΠΡΟΕΙΔΟΠΟΙΗΣΗ:** Μη χρησιμοποιείτε ποτέ και μην υποκαθιστάτε εξαρτήματα που δεν παρέχονται με το εργαλείο αυτό. Η χρήση τέτοιων εξαρτημάτων μπορεί να προκληθεί σοβαρός προσωπικός τραυματισμός.

**⚠ ΠΡΟΕΙΔΟΠΟΙΗΣΗ:** Μετά την τοποθέτηση της λάμας δισκοπρίονου, να βεβαιώνετε πάντα ότι έχει τοποθετηθεί με ασφάλεια. Η χαλαρή προσάρτηση της λάμας δισκοπρίονου μπορεί να προκαλέσει σοβαρό προσωπικό τραυματισμό.

## Κοινές προετοιμασίες για την τοποθέτηση και αφαίρεση της λάμας δισκοπρίονου

1. Απασφαλίστε την κινητή βάση τραβώντας τον ανασταλτικό πείρο και, στη συνέχεια, μετακινήστε την κινητή βάση στην ανυψωμένη θέση.
  2. Χαλαρώστε το μπουλόνι εξαγωνικού κοιλώματος που συγκρατεί το κάλυμμα κέντρου χρησιμοποιώντας το εξαγωνικό κλειδί. Μετά, σηκώστε τον προφυλακτήρα λάμας και το κάλυμμα κέντρου.
- **Εικ.25:** 1. Εξαγωνικό κλειδί 2. Μπουλόνι εξαγωνικού κοιλώματος 3. Κάλυμμα κέντρου 4. Προφυλακτήρας λάμας

## Τοποθέτηση της λάμας δισκοπρίονου

**⚠ ΠΡΟΣΟΧΗ:** Βεβαιωθείτε να τοποθετήσετε τη λάμα δισκοπρίονου με τρόπο ώστε η κατεύθυνση του βέλους στη λάμα δισκοπρίονου να ταιριάζει με αυτή στη θήκη λάμας. Η μη συμμόρφωση μπορεί να έχει ως αποτέλεσμα προσωπικό τραυματισμό και να προκαλέσει ζημιά στο εργαλείο ή/και στο τεμάχιο εργασίας.

1. Ολοκληρώστε τα βήματα στην παράγραφο «Κοινές προετοιμασίες για την τοποθέτηση και αφαίρεση της λάμας δισκοπρίονου».
  2. Πατήστε την ασφάλιση άξονα για να κλειδώσετε τον άξονα και χρησιμοποιήστε το εξαγωνικό κλειδί για να χαλαρώσετε το μπουλόνι εξαγωνικού κοιλώματος δεξιόστροφα. Μετά, αφαιρέστε το μπουλόνι εξαγωνικού κοιλώματος, την εξωτερική φλάντζα και τη λάμα δισκοπρίονου.
- **Εικ.26:** 1. Μπουλόνι εξαγωνικού κοιλώματος (αριστερόστροφο σπείρωμα) 2. Εξωτερική φλάντζα 3. Ασφάλιση άξονα

3. Στερεώστε τη λάμα δισκοπρίνου προσεκτικά πάνω στην εσωτερική φλάντζα. Βεβαιωθείτε ότι η κατεύθυνση του βέλους στη λάμα δισκοπρίνου ταιριάζει στην κατεύθυνση του βέλους στη θήκη λάμας.

► **Εικ.27:** 1. Βέλος

4. Τοποθετήστε την εξωτερική φλάντζα και το μπουλόνι εξαγωνικού κοιλώματος. Σφίξτε σταθερά το μπουλόνι εξαγωνικού κοιλώματος (αριστερόστροφο) αριστερόστροφα χρησιμοποιώντας το εξαγωνικό κλειδί, ενώ πιέζετε την ασφάλιση άξονα.

► **Εικ.28:** 1. Εξαγωνικό μπουλόνι (αριστερόχειρο)  
2. Εξωτερική φλάντζα 3. Λάμα δισκοπρίνου 4. Δακτύλιος 5. Εσωτερική φλάντζα 6. Αξόνισκος

► **Εικ.29:** 1. Μπουλόνι εξαγωνικού κοιλώματος (αριστερόστροφο σπείρωμα) 2. Εξωτερική φλάντζα 3. Ασφάλιση άξονα

5. Επαναφέρετε τον προφυλακτήρα λάμας και κάλυμμα κέντρου στην αρχική τους θέση. Μετά σφίξτε το μπουλόνι εξαγωνικού κοιλώματος του καλύμματος κέντρου για να το ασφαλίσετε.

Χαμηλώστε την κινητή βάση και ελέγξτε ότι ο προφυλακτήρας λάμας κινείται σωστά.

► **Εικ.30:** 1. Εξαγωνικό κλειδί 2. Μπουλόνι εξαγωνικού κοιλώματος 3. Κάλυμμα κέντρου 4. Προφυλακτήρας λάμας

## Αφαίρεση της λάμας δισκοπρίνου

1. Ολοκληρώστε τα βήματα στην παράγραφο «Κοινές προετοιμασίες για την τοποθέτηση και αφαίρεση της λάμας δισκοπρίνου».

2. Πατήστε την ασφάλιση άξονα για να ασφαλίσετε τον αξόνισκο. Χαλαρώστε το μπουλόνι εξαγωνικού κοιλώματος δεξιόστροφα χρησιμοποιώντας το εξαγωνικό κλειδί. Μετά, αφαιρέστε το μπουλόνι εξαγωνικού κοιλώματος, την εξωτερική φλάντζα και τη λάμα δισκοπρίνου.

► **Εικ.31:** 1. Μπουλόνι εξαγωνικού κοιλώματος (αριστερόστροφο σπείρωμα) 2. Εξωτερική φλάντζα 3. Ασφάλιση άξονα

3. Αν η εσωτερική φλάντζα αφαιρεθεί, εγκαταστήστε τη στον αξόνισκο με το εξάρτημα στερέωσης λάμας στραμμένο προς τη λάμα δισκοπρίνου. Σε περίπτωση ασφαλισμένης τοποθέτησης της φλάντζας, αυτή θα τριβεται πάνω στο μηχανήμα.

► **Εικ.32:** 1. Εξαγωνικό μπουλόνι (αριστερόχειρο)  
2. Εξωτερική φλάντζα 3. Λάμα δισκοπρίνου 4. Δακτύλιος 5. Εσωτερική φλάντζα 6. Αξόνισκος

**ΕΙΔΟΠΟΙΗΣΗ:** Προσέχετε να μην χάσετε την εξωτερική φλάντζα και το μπουλόνι εξαγωνικού κοιλώματος που αφαιρέσατε.

## Σύνδεση με ηλεκτρική σκούπα

Όταν θέλετε να εκτελέσετε κοπές καθαρά, συνδέστε την ηλεκτρική σκούπα της Makita.

**ΕΙΔΟΠΟΙΗΣΗ:** Ανάλογα με τον τύπο της ηλεκτρικής σκούπας και του εύκαμπτου σωλήνα που χρησιμοποιούνται, η θύρα συλλογής σκόνης μπορεί να φραχθεί από το προστατευτικό συλλογής σκόνης, καθιστώντας αδύνατη τη συλλογή σκόνης. Σε αυτή την περίπτωση, ελαττώστε την αναρροφητική ισχύ της ηλεκτρικής σκούπας.

► **Εικ.33:** 1. Προστατευτικό συλλογής σκόνης

## Σάκος σκόνης

**ΠΡΟΣΟΧΗ:** Όταν εκτελείται μια κοπή, να συνδέετε πάντα τον σάκο σκόνης ή να συνδέετε ηλεκτρική σκούπα ώστε να αποφεύγετε τους κινδύνους που σχετίζονται με τη σκόνη.

Η χρήση του σάκου σκόνης καθιστά καθαρές τις λειτουργίες κοπής και εύκολη τη συλλογή της σκόνης. Για τη σύνδεση του σάκου σκόνης, συνδέστε τον σάκο σκόνης στο ακροφύσιο σκόνης.

► **Εικ.34:** 1. Σάκος σκόνης 2. Ακροφύσιο σκόνης

Όταν ο σάκος σκόνης είναι περίπου μισογεμάτος, αφαιρέστε τον από το εργαλείο και τραβήξτε τον προσδετήρα έξω. Αδειάστε τον σάκο σκόνης από τα περιεχόμενά του, χτυπήστε τον ελαφρά έτσι ώστε να αφαιρεθούν τα σωματίδια που είναι κολλημένα από μέσα και μπορεί να εμποδίζουν την περαιτέρω συλλογή.

► **Εικ.35:** 1. Προσδετήρας

## Ασφάλιση του τεμαχίου εργασίας

**ΠΡΟΕΙΔΟΠΟΙΗΣΗ:** Είναι εξαιρετικά σημαντικό να ασφαλίσετε πάντα το τεμάχιο εργασίας σωστά με μέγερνη κατάλληλο τύπου. Η μη συμμόρφωση μπορεί να καταλήξει σε σοβαρό τραυματισμό και να προκαλέσει ζημία στο εργαλείο ή/και στο τεμάχιο εργασίας.

**ΠΡΟΕΙΔΟΠΟΙΗΣΗ:** Μετά το πέρας της εργασίας κοπής, μην ανυψώσετε τη λάμα πριονιού αν δεν έχει ακινητοποιηθεί πλήρως. Η ανύψωση μιας λάμας πριονιού που συνεχίζει να περιστρέφεται εξ αδρανείας μπορεί να καταλήξει σε σοβαρό τραυματισμό και στην πρόκληση ζημίας στο τεμάχιο εργασίας.

**ΠΡΟΕΙΔΟΠΟΙΗΣΗ:** Κατά την κοπή τεμαχίου εργασίας με μήκος μεγαλύτερο από εκείνο της βάσης στήριξης του πριονιού λοξόμησης, το υλικό θα πρέπει να στηρίζεται σε ολόκληρο το μήκος του πέραν της βάσης στήριξης και στο ίδιο ύψος ώστε το υλικό να παραμένει σε οριζόντια θέση. Η κατάλληλη στήριξη του τεμαχίου εργασίας θα διευκολύνει ώστε να αποτραπεί η σύσφιξη της λάμας και το ενδεχόμενο κλότσημα που μπορεί να καταλήξει σε πρόκληση σοβαρού τραυματισμού. Μη βασίζεστε αποκλειστικά στην κάθετη μέγερνη για να ασφαλίσετε το τεμάχιο εργασίας. Τα λεπτά υλικά έχουν την τάση να λυγίζουν. Υποστηρίξτε το τεμάχιο εργασίας καθ' όλο το μήκος του για να αποφύγετε τσίμπημα της λάμας και πιθανό ΚΛΟΤΣΗΜΑ.

► **Εικ.36:** 1. Υποστήριξη 2. Περιστροφική βάση

## Φράχτες οδηγού

**▲ ΠΡΟΕΙΔΟΠΟΙΗΣΗ:** Πριν θέσετε το εργαλείο σε λειτουργία, βεβαιωθείτε ότι ο συρόμενος φράχτης είναι ασφαλισμένος καλά με τη βίδα συγκράτησης.

**▲ ΠΡΟΕΙΔΟΠΟΙΗΣΗ:** Πριν την κωνική κοπή, βεβαιωθείτε ότι κανένα μέρος του εργαλείου, ειδικά η λάμα δισκοπριονίου, δεν έρχεται σε επαφή με τους φράχτες όταν χαμηλώνετε και ανυψώνετε εντελώς τη λαβή σε οποιαδήποτε θέση καθώς και όταν μετακινείτε την κινητή βάση σε ολόκληρη τη διαδρομή κίνησής της. Αν το εργαλείο ή η λάμα δισκοπριονίου έρθει σε επαφή με το φράχτη, μπορεί να προκληθεί κλότσημα ή απρόσμενη κίνηση του υλικού και σοβαρός προσωπικός τραυματισμός.

Το εργαλείο αυτό είναι εξοπλισμένο με συρόμενο φράχτη. Όταν εκτελείται αριστερές κωνικές κοπές, χαλαρώστε τη βίδα συγκράτησης και μετακινήστε τον συρόμενο φράχτη ώστε να μην εμποδίζει την κίνηση της κινητής βάσης. Ασφαλίστε τον συρόμενο φράχτη σφίγγοντας τη βίδα συγκράτησης.

► **Εικ.37:** 1. Συρόμενος φράχτης 2. Φράχτης οδηγός 3. Βίδα συγκράτησης

## Κάθετη μέγγεννη

**▲ ΠΡΟΕΙΔΟΠΟΙΗΣΗ:** Το τεμάχιο εργασίας πρέπει να ασφαρίζεται σταθερά στην περιστροφική βάση και στο φράχτη οδηγό με την μέγγεννη κατά τη διάρκεια όλων των εργασιών. Αν το τεμάχιο εργασίας δεν είναι σωστά ασφαλισμένο επάνω στο φράχτη, το υλικό μπορεί να μετακινηθεί κατά τη διάρκεια της εργασίας κοπής προκαλώντας πιθανή ζημιά στη λάμα πριονιού, εκτόξευση του υλικού και απώλεια ελέγχου, γεγονός που μπορεί να έχει ως αποτέλεσμα σοβαρό προσωπικό τραυματισμό.

Η κάθετη μέγγεννη μπορεί να εγκατασταθεί στις οπές στην αριστερή πλευρά της βάσης, στη δεξιά πλευρά της βάσης ή στην αριστερή πλευρά της βοηθητικής βάσης. Πιέστε το τεμάχιο εργασίας επίπεδα επί του φράχτη οδηγού και της περιστροφικής βάσης. Τοποθετήστε το τεμάχιο εργασίας στην επιθυμητή θέση κοπής και ασφαλίστε το σταθερά σφίγγοντας το κουμπί της μέγγεννης. Βεβαιωθείτε ότι κανένα μέρος του εργαλείου δεν έχει έρθει σε επαφή με την κάθετη μέγγεννη όταν χαμηλώνετε εντελώς τη λαβή. Αν κάποιο μέρος έρθει σε επαφή με την κάθετη μέγγεννη, επανατοποθετήστε την κάθετη μέγγεννη.

► **Εικ.38:** 1. Οπή 2. Κουμπί μέγγεννης

## Βοηθητική βάση

**▲ ΠΡΟΕΙΔΟΠΟΙΗΣΗ:** Να φροντίζετε πάντα για τη στήριξη ενός τεμαχίου εργασίας μεγάλου μήκους, ώστε να παραμείνει σε οριζόντια θέση στην άνω επιφάνεια της περιστροφικής βάσης για να επιτυγχάνεται κοπή με ακρίβεια και να αποτρέπεται επικίνδυνη απώλεια ελέγχου του εργαλείου. Η κατάλληλη στήριξη του τεμαχίου εργασίας θα διευκολύνει ώστε να αποτραπεί η σύσφιξη της λάμας και το ενδεχόμενο κλότσημα που μπορεί να καταλήξει σε πρόκληση σοβαρού τραυματισμού.

**▲ ΠΡΟΕΙΔΟΠΟΙΗΣΗ:** Πριν τη λειτουργία κοπής, να βεβαιώνετε πάντα ότι οι βοηθητικές βάσεις είναι ασφαλισμένες με τις κεφαλόβιδες.

Για να κρατάτε μακριά τεμάχια εργασίας οριζόντια, παρέχονται βοηθητικές βάσεις και στις δύο πλευρές του εργαλείου. Χαλαρώστε τις κεφαλόβιδες και επεκτείνετε τις βοηθητικές βάσεις στο κατάλληλο μήκος για τη συγκράτηση του τεμαχίου εργασίας. Μετά, σφίξτε καλά τις κεφαλόβιδες.

► **Εικ.39:** 1. Βοηθητική βάση 2. Κεφαλόβιδα

Κατά την κοπή, τοποθετήστε το τεμάχιο εργασίας επίπεδα επάνω στους φράχτες οδηγούς.

► **Εικ.40:** 1. Φράχτης οδηγός 2. Βοηθητική βάση

## ΛΕΙΤΟΥΡΓΙΑ

Το εργαλείο αυτό προορίζεται για την κοπή ξύλινων προϊόντων. Με κατάλληλες γνήσιες λάμες πριονιού της Makita, μπορείτε να πριονίσετε και τα ακόλουθα υλικά:

— Αλουμινένια προϊόντα

Ανατρέξτε στον ιστότοπό μας ή επικοινωνήστε με τον τοπικό σας αντιπρόσωπο της Makita για τις σωστές κυκλικές λάμες πριονιού για χρήση με το υλικό προς κοπή.

**▲ ΠΡΟΕΙΔΟΠΟΙΗΣΗ:** Βεβαιωθείτε ότι η λάμα πριονιού δεν έχει έρθει σε επαφή με το τεμάχιο εργασίας, κτλ., πριν ενεργοποιήσετε το εργαλείο. Η ενεργοποίηση του εργαλείου όταν η λάμα πριονιού είναι σε επαφή με το τεμάχιο εργασίας μπορεί να καταλήξει σε κλότσημα και την πρόκληση σοβαρού τραυματισμού.

**▲ ΠΡΟΕΙΔΟΠΟΙΗΣΗ:** Μετά το πέρας της εργασίας κοπής, μην ανυψώσετε τη λάμα πριονιού αν δεν έχει ακινητοποιηθεί πλήρως. Η ανύψωση μιας λάμας πριονιού που συνεχίζει να περιστρέφεται εξ αδρανείας μπορεί να καταλήξει σε σοβαρό τραυματισμό και στην πρόκληση ζημίας στο τεμάχιο εργασίας.

**▲ ΠΡΟΕΙΔΟΠΟΙΗΣΗ:** Μην εκτελείτε καμία ρύθμιση, όπως περιστροφή της λαβής, του κουμπιού και των μοχλών, στο εργαλείο ενώ περιστρέφεται η λάμα πριονιού. Οποιαδήποτε ρύθμιση ενώ περιστρέφεται η λάμα πριονιού μπορεί να έχει ως αποτέλεσμα σοβαρό προσωπικό τραυματισμό.

**⚠ ΠΡΟΣΟΧΗ:** Μην αφήσετε την κεφαλή πριονιού χωρίς έλεγχο από την τέρμα κάτω θέση. Μια κεφαλή πριονιού χωρίς έλεγχο μπορεί να σας χτυπήσει και θα έχει ως αποτέλεσμα προσωπικό τραυματισμό.

**ΕΙΔΟΠΟΙΗΣΗ:** Πριν τη χρήση, βεβαιωθείτε να απασφαλίσετε τον ανασταλτικό πείρο και να απελευθερώσετε τη λαβή από την κάτω θέση.

**ΕΙΔΟΠΟΙΗΣΗ:** Μην εφαρμόζετε υπερβολική πίεση στη λαβή όταν κόβετε. Η υπερβολική δύναμη μπορεί να έχει ως αποτέλεσμα υπερφόρτωση του κινητήρα ή/και μειωμένη επάρκεια κοπής. Πιέστε τη λαβή μόνο με όση δύναμη είναι απαραίτητη για απαλή κοπή και χωρίς σημαντική μείωση στην ταχύτητα της λάμας.

**ΕΙΔΟΠΟΙΗΣΗ:** Πιέστε προς τα κάτω απαλά τη λαβή για να πραγματοποιήσετε την κοπή. Εάν η λαβή πιεστεί κάτω με δύναμη ή εάν εφαρμοστεί πλευρική δύναμη, η λάμα πριονιού θα δονείται και θα αφήσει κάποιο σημάδι (σημάδι πριονιού) στο τεμάχιο εργασίας και η ακρίβεια της κοπής θα ελαττωθεί.

**ΕΙΔΟΠΟΙΗΣΗ:** Κατά τη διάρκεια ολισθητικής κοπής, σπρώξτε απαλά την κινητή βάση προς το φράχτη οδηγό χωρίς να σταματήσετε. Αν η κίνηση της κινητής βάσης διακοπεί κατά την κοπή, ένα σημάδι θα μείνει στο τεμάχιο εργασίας και η ακρίβεια της κοπής θα ελαττωθεί.

## Κοπή πίεσης

**⚠ ΠΡΟΕΙΔΟΠΟΙΗΣΗ:** Να ασφαρίζετε πάντα την ολισθαίνουσα κίνηση της κινητής βάσης όταν εκτελείτε κοπή πίεσης. Αν πραγματοποιήσετε κοπή χωρίς ασφάλιση, μπορεί να προκληθεί πιθανό κλότσημα με αποτέλεσμα σοβαρό προσωπικό τραυματισμό.

Τεμάχια εργασίας μέχρι ύψος 65 mm και πλάτος 80 mm μπορούν να κοπούν με τον ακόλουθο τρόπο.

1. Σπρώξτε την κινητή βάση προς τον φράχτη οδηγό μέχρι να σταματήσει και ασφαλίστε την με την κεφαλόβιδα.
  2. Ασφαλίστε το τεμάχιο εργασίας με μέγγνη κατάλληλου τύπου.
  3. Ανάψτε το εργαλείο χωρίς η λάμα δισκοπρίονου να έρχεται σε καμιά επαφή και περιμένετε μέχρι η λάμα δισκοπρίονου να αποκτήσει πλήρη ταχύτητα πριν τη χαμηλώσετε.
  4. Χαμηλώστε απαλά τη λαβή στην κατώτερη δυνατή θέση για να κόψετε το τεμάχιο εργασίας.
  5. Όταν ολοκληρωθεί η κοπή, σβήστε το εργαλείο και περιμένετε μέχρι η λάμα δισκοπρίονου να έχει ακινητοποιηθεί τελείως πριν επιστρέψετε τη λάμα πριονιού στην πλήρως αυξημένη θέση της.
- **Εικ.41:** 1. Κεφαλόβιδα

## Κοπή ολισθησης (ώθησης) (κοπή τεμαχίων εργασίας μεγάλου πλάτους)

**⚠ ΠΡΟΕΙΔΟΠΟΙΗΣΗ:** Κάθε φορά που εκτελείτε ολισθητική κοπή, τραβήξτε πρώτα την κινητή βάση προς το μέρος σας και πιέστε τη λαβή πλήρως προς τα κάτω, στη συνέχεια ωθήστε την κινητή βάση προς το φράχτη οδηγό. Μην αρχίζετε ποτέ την κοπή, εάν δεν έχετε τραβήξει πλήρως την κινητή βάση προς το μέρος σας. Εάν εκτελέσετε την ολισθητική κοπή χωρίς να έχετε τραβήξει την κινητή βάση πλήρως προς το μέρος σας, μπορεί να προκληθεί μη αναμενόμενο κλότσημα και κατά συνέπεια σοβαρός τραυματισμός.

**⚠ ΠΡΟΕΙΔΟΠΟΙΗΣΗ:** Μην επιχειρήσετε ποτέ να εκτελέσετε ολισθητική κοπή τραβώντας την κινητή βάση προς το μέρος σας. Εάν τραβήξετε την κινητή βάση προς το μέρος σας, μπορεί να προκληθεί μη αναμενόμενο κλότσημα με αποτέλεσμα σοβαρό τραυματισμό.

**⚠ ΠΡΟΕΙΔΟΠΟΙΗΣΗ:** Ποτέ μην εκτελείτε την ολισθητική κοπή με τη λαβή κλειδωμένη στη χαμηλωμένη θέση.

1. Χαλαρώστε την κεφαλόβιδα ώστε η κινητή βάση να ολισθαίνει ελεύθερα.
  2. Ασφαλίστε το τεμάχιο εργασίας με μέγγνη κατάλληλου τύπου.
  3. Τραβήξτε την κινητή βάση προς το μέρος σας πλήρως.
  4. Ανάψτε το εργαλείο χωρίς η λάμα δισκοπρίονου να έρχεται σε καμιά επαφή και περιμένετε μέχρι η λάμα πριονιού να αποκτήσει πλήρη ταχύτητα.
  5. Πατήστε προς τα κάτω τη λαβή και τραβήξτε την κινητή βάση προς το φράχτη οδηγό και μέσα από το τεμάχιο εργασίας.
  6. Όταν ολοκληρωθεί η κοπή, σβήστε το εργαλείο και περιμένετε μέχρι η λάμα πριονιού να έχει ακινητοποιηθεί τελείως πριν επιστρέψετε τη λάμα πριονιού στην πλήρως αυξημένη θέση της.
- **Εικ.42:** 1. Κεφαλόβιδα

## Λοξή κοπή

Ανατρέξτε στην ενότητα για τη ρύθμιση της λοξής γωνίας.

## Κωνική κοπή

**▲ ΠΡΟΕΙΔΟΠΟΙΗΣΗ:** Μόλις ρυθμίσετε τη λάμα πριονιού για κωνική κοπή, βεβαιωθείτε ότι η κινητή βάση και η λάμα πριονιού μπορούν να κινηθούν ελεύθερα σε ολόκληρο το εύρος της προοριζόμενης κοπής πριν θέσετε το εργαλείο σε λειτουργία. Τυχόν παρεμπόδιση της διαδρομής της κινητής βάσης ή της λάμας κατά την εργασία κοπής μπορεί να καταλήξει σε κλότσημα και σοβαρό τραυματισμό.

**▲ ΠΡΟΕΙΔΟΠΟΙΗΣΗ:** Όταν πραγματοποιείτε κωνική κοπή, φροντίστε ώστε να χέρια σας να μη βρίσκονται στη διαδρομή της λάμας πριονιού. Η γωνία της λάμας πριονιού μπορεί να προκαλέσει αβειοβιαιότητα στο χειριστή όσον αφορά την πραγματική διαδρομή της λάμας κατά την κοπή και οποιαδήποτε επαφή με τη λάμα πριονιού θα προκαλέσει σοβαρό προσωπικό τραυματισμό.

**▲ ΠΡΟΕΙΔΟΠΟΙΗΣΗ:** Απαγορεύεται η ανύψωση της λάμας πριονιού, αν δεν ακινητοποιηθεί πρώτα η λάμα. Κατά την εκτέλεση κωνικής κοπής, το τεμάχιο που αποκόπεται μπορεί να ακουμπήσει επάνω στη λάμα πριονιού. Αν η λάμα πριονιού ανυψωθεί ενώ ακόμη περιστρέφεται, το τεμάχιο που έχει αποκοπεί μπορεί να εκτιναχθεί κατά την επαφή με τη λάμα πριονιού προκαλώντας διάλυση του τεμαχίου σε θραύσματα τα οποία μπορεί να προκαλέσουν σοβαρό προσωπικό τραυματισμό.

**ΕΙΔΟΠΟΙΗΣΗ:** Όταν πατάτε κάτω τη λαβή, εφαρμόστε πίεση παράλληλα της λάμας πριονιού. Εάν μια δύναμη εφαρμοστεί κάθετα στην περιστεροφική βάση ή εάν η διεύθυνση της πίεσης αλλάξει κατά τη διάρκεια της κοπής, η ακρίβεια της κοπής θα ελαττωθεί.

1. Θέστε τον συρόμενο φράχτη στα αριστερά για να αποτρέψετε την επαφή της κινητής βάσης.
2. Απασφαλίστε τον ανασταλτικό πέιρο και χαλαρώστε την κεφαλόβιδα στον βραχίονα ώστε η κινητή βάση να ανυψώνεται και να ολισθαίνει ελεύθερα.
3. Ρυθμίστε την κωνική γωνία σύμφωνα με τη διαδικασία που περιγράφεται στην ενότητα για τη ρύθμιση της κωνικής γωνίας. Μετά, σφίξτε τη λαβή.
4. Ασφαλίστε το τεμάχιο εργασίας με μια μέγγενη.
5. Τραβήξτε την κινητή βάση πλήρως προς το μέρος σας.
6. Ανάψτε το εργαλείο χωρίς η λάμα δισκοπρίονου να έρχεται σε καμιά επαφή και περιμένετε μέχρι η λάμα δισκοπρίονου να αποκτήσει πλήρη ταχύτητα.
7. Χαμηλώστε αργά τη λαβή μέχρι την πλήρως χαμηλωμένη θέση ενώ ασκείτε πίεση παράλληλα με τη λάμα δισκοπρίονου και **σπρώξτε την κινητή βάση προς το φράχτη οδηγώ για να κόψετε το τεμάχιο εργασίας.**
8. Όταν ολοκληρωθεί η κοπή, σβήστε το εργαλείο και περιμένετε μέχρι η λάμα δισκοπρίονου να έχει ακινητοποιηθεί τελείως πριν επιστρέψετε τη λάμα πριονιού στην πλήρως αυξημένη θέση της.

► **Εικ.43**

## Σύνθετη κοπή

Η σύνθετη κοπή είναι η διαδικασία κατά την οποία μια κωνική γωνία γίνεται την ίδια στιγμή που μια λοξή γωνία κόβεται σε ένα τεμάχιο εργασίας. Η σύνθετη κοπή μπορεί να εκτελεστεί στη γωνία που φαίνεται στον πίνακα.

Λοξή γωνία	Κωνική γωνία
Αριστερά 0° και δεξιά 0° - 45°	Αριστερά 0° - 45°

Όταν εκτελείτε σύνθετη κοπή, ανατρέξτε στην ενότητα για την κοπή πίεσης, την κοπή ολίσθησης (ώθησης), τη λοξή κοπή και την κωνική κοπή.

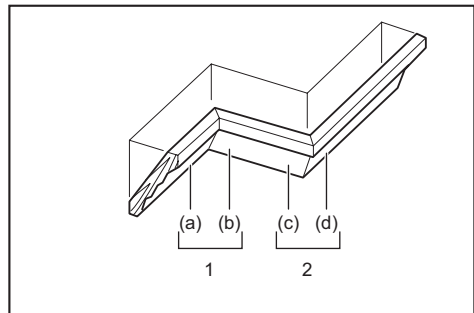
## Κοπή ανάγλυφων μορφώσεων στέψης και μορφώσεων κοιλωτής μαρκίζας

Η κοπή ανάγλυφων μορφώσεων στέψης και μορφώσεων κοιλωτής μαρκίζας είναι επιβεβλημένη με τις μορφώσεις τοποθετημένες σε επίπεδη θέση πάνω στην περιστεροφική βάση.

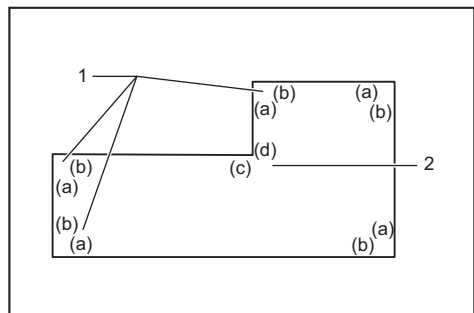
Υπάρχουν δύο συνήθεις τύποι ανάγλυφων μορφώσεων στέψης και ένας τύπος μόρφωσης κοιλωτής μαρκίζας, μόρφωση στέψης υπό γωνία 52/38° προς τον τοίχο, μόρφωση στέψης υπό γωνία 45° προς τον τοίχο και μόρφωση κοιλωτής μαρκίζας υπό γωνία 45° προς τον τοίχο.

► **Εικ.44:** 1. Ανάγλυφη μόρφωση στέψης υπό γωνία 52/38° 2. Ανάγλυφη μόρφωση στέψης υπό γωνία 45° 3. Μόρφωση κοιλωτής μαρκίζας υπό γωνία 45°

Υπάρχουν ενώσεις μορφώσεων στέψης και κοιλωτής μαρκίζας που προορίζονται για τοποθέτηση σε «Εσωτερικές» γωνίες τοίχου 90° ((a) και (b) στην εικόνα) και σε «Εξωτερικές» γωνίες τοίχου 90° ((c) και (d) στην εικόνα).



1. Εσωτερική γωνία τοίχου 2. Εξωτερική γωνία τοίχου



1. Εσωτερική γωνία τοίχου 2. Εξωτερική γωνία τοίχου



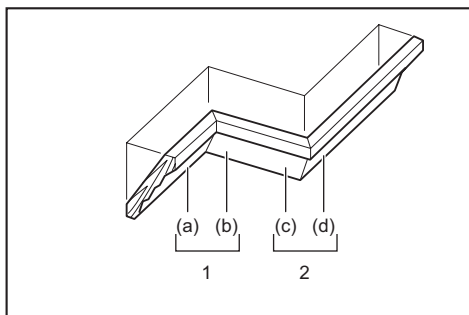
## Μέτρηση

Μετρήστε το πλάτος τοιχώματος και ρυθμίστε το πλάτος του τεμαχίου εργασίας ανάλογα με αυτό. Να βεβαιώνετε πάντα ότι το πλάτος του άκρου επαφής τοιχώματος του τεμαχίου εργασίας είναι το ίδιο με το μήκος του τοιχώματος.

► **Εικ.45:** 1. Τεμάχιο εργασίας 2. Πλάτος τοιχώματος 3. Πλάτος του τεμαχίου εργασίας 4. Άκρο επαφής τοιχώματος

Να χρησιμοποιείτε πάντα αρκετά τεμάχια δοκιμής της κοπής, ώστε να ελέγχετε τις γωνίες του πριονιού. Κατά την εκτέλεση εργασιών κοπής ανάγλυφων μορφώσεων στέψης και μορφώσεων κοιλωτής μαρκίζας, καθορίστε την κωνική γωνία και τη λοξή γωνία όπως υποδεικνύεται στον πίνακα (Α) και τοποθετήστε τις μορφώσεις στην πάνω επιφάνεια της βάσης της λάμας πριονιού όπως υποδεικνύεται στον πίνακα (Β).

## Στην περίπτωση αριστερής κωνικής κοπής



1. Εσωτερική γωνία 2. Εξωτερική γωνία

## Πίνακας (Α)

-	Θέση μόρφωσης στην εικόνα	Κωνική γωνία		Λοξή γωνία	
		Τύπος 52/38°	Τύπος 45°	Τύπος 52/38°	Τύπος 45°
Για εσωτερική γωνία	(a)	Αριστερά 33,9°	Αριστερά 30°	Δεξιά 31,6°	Δεξιά 35,3°
	(b)			Αριστερά 31,6°	Αριστερά 35,3°
Για εξωτερική γωνία	(c)			Δεξιά 31,6°	Δεξιά 35,3°
	(d)				

## Πίνακας (Β)

-	Θέση μόρφωσης στην εικόνα	Το άκρο μόρφωσης εφάπτεται στο φράχτη οδηγό	Ολοκληρωμένο τεμάχιο
Για εσωτερική γωνία	(a)	Το άκρο επαφής στο ταβάνι θα πρέπει να εφάπτεται στο φράχτη οδηγό.	Το ολοκληρωμένο τεμάχιο θα βρίσκεται στην αριστερή πλευρά της λάμας δισκοπριονίου.
	(b)	Το άκρο επαφής στον τοίχο θα πρέπει να εφάπτεται στο φράχτη οδηγό.	Το ολοκληρωμένο τεμάχιο θα βρίσκεται στη δεξιά πλευρά της λάμας δισκοπριονίου.
Για εξωτερική γωνία	(c)	Το άκρο επαφής στο ταβάνι θα πρέπει να εφάπτεται στο φράχτη οδηγό.	
	(d)	Το άκρο επαφής στο ταβάνι θα πρέπει να εφάπτεται στο φράχτη οδηγό.	

Παράδειγμα:

Στην περίπτωση κοπής ανάγλυφης μόρφωσης στέψης τύπου 52/38° για τη θέση (a) στην ανωτέρω εικόνα:

- Δώστε κλίση και ασφαλίστε τη ρύθμιση της κωνικής γωνίας σε 33,9° ΑΡΙΣΤΕΡΑ.
- Ρυθμίστε και ασφαλίστε τη λοξή γωνία σε 31,6° ΔΕΞΙΑ.
- Τοποθετήστε την ανάγλυφη μόρφωση στέψης, ώστε η πλατιά πίσω επιφάνεια της (δεν φαίνεται) να εφάπτεται στην περιστροφική βάση και το ΑΚΡΟ ΕΠΑΦΗΣ ΣΤΟ TABANI να εφάπτεται στο φράχτη οδηγό του πριονιού.
- Το ολοκληρωμένο τεμάχιο προς χρήση θα βρίσκεται πάντα στην ΑΡΙΣΤΕΡΗ πλευρά της λάμας δισκοπριονίου μετά το πέρας της κοπής.

## Κοπή αλουμινένιας προεξοχής

Όταν ασφαλίσετε τις αλουμινένιες προεξοχές, χρησιμοποιήστε τάκους ρύθμισης απόστασης ή παλιά κομμάτια ξύλου, όπως απεικονίζεται στην εικόνα, για να εμποδίσετε την παραμόρφωση του αλουμινίου. Να χρησιμοποιείτε ένα λιπαντικό κοπής κατά την κοπή της αλουμινένιας προεξοχής, ώστε να αποφευχθεί η συσσωρευση του αλουμινένιου υλικού στη λάμα δισκοπριονίου.

**▲ ΠΡΟΕΙΔΟΠΟΙΗΣΗ:** Μην επιχειρήσετε ποτέ να κόψετε αλουμινένιες προεξοχές με μεγάλο πάχος ή στρογγυλής διατομής. Οι παχιές ή στρογγυλές αλουμινένιες προεξοχές μπορεί να είναι δύσκολες να ασφαλιστούν και το τεμάχιο εργασίας μπορεί να χαλαρώσει κατά τη διάρκεια της εργασίας κοπής, γεγονός που μπορεί να έχει ως αποτέλεσμα την απώλεια ελέγχου και σοβαρό προσωπικό τραυματισμό.

► **Εικ.46:** 1. Μέγγεννη 2. Τάκος ρύθμισης απόστασης 3. Φράχτης οδηγός 4. Αλουμινένια προεξοχή 5. Τάκος ρύθμισης απόστασης

## Κοπή επαναληπτικών μηκών

Όταν κόβετε πολλά τεμάχια υλικού στο ίδιο μήκος, από 225 mm έως 350 mm, τραβήξτε την πλάκα ρύθμισης όπως απεικονίζεται στην εικόνα.

Ασφαλίστε το τεμάχιο εργασίας στη θέση για κοπή. Σύρετε τη δεξιά βοηθητική βάση με τρόπο ώστε η πλάκα ρύθμισης να ευθυγραμμιστεί επάνω στο άκρο του τεμαχίου εργασίας. Στη συνέχεια, ασφαλίστε τη βοηθητική βάση με την κεφαλόβιδα.

► **Εικ.47:** 1. Πλάκα ρύθμισης 2. Κεφαλόβιδα

## Κοπή αυλάκωσης

**ΠΡΟΕΙΔΟΠΟΙΗΣΗ:** Μην επιχειρήσετε να εκτελέσετε κοπή αυτού του είδους χρησιμοποιώντας λάμα μεγαλύτερου πάχους ή λάμα πολλαπλής αυλάκωσης. Εάν επιχειρήσετε να δημιουργήσετε κοπή αυλάκα χρησιμοποιώντας λάμα μεγαλύτερου πάχους ή λάμα πολλαπλής αυλάκωσης, το αποτέλεσμα της κοπής μπορεί να είναι απρόβλεπτο και μπορεί να προκληθεί κλότσημα με πιθανό σοβαρό τραυματισμό.

**ΠΡΟΕΙΔΟΠΟΙΗΣΗ:** Βεβαιωθείτε ότι επαναφέρετε τον ανασταλτικό βραχίονα στην αρχική θέση όταν εκτελείτε οτιδήποτε άλλο εκτός από κοπή αυλακώσεων. Εάν επιχειρήσετε να εκτελέσετε κοπή όταν ο ανασταλτικός βραχίονας βρίσκεται σε εσφαλμένη θέση, το αποτέλεσμα της κοπής μπορεί να είναι απρόβλεπτο και μπορεί να προκληθεί κλότσημα με πιθανό σοβαρό τραυματισμό.

Για κοπή τύπου αυλάκωσης, πραγματοποιήστε τα εξής:

1. Ρυθμίστε τη θέση του κάτω ορίου της λάμας διακοπρίονου χρησιμοποιώντας τη ρυθμιστική βίδα και τον ανασταλτικό βραχίονα για να περιορίσετε το βάθος κοπής της λάμας διακοπρίονου. Ανατρέξτε στην ενότητα για τον ανασταλτικό βραχίονα.
2. Αφού ρυθμίσετε τη θέση κάτω ορίου της λάμας διακοπρίονου, κόψτε παράλληλες αυλακώσεις κατά πλάτος του τεμαχίου εργασίας χρησιμοποιώντας μια κοπή ολίσθησης (ώθησης).
- **Εικ.48:** 1. Κόψτε αυλακώσεις με τη λάμα πριονιού
3. Αφαιρέστε το υλικό του τεμαχίου εργασίας μεταξύ των αυλακώσεων με ένα σκαρπέλο.

## Μεταφορά εργαλείου

Πριν τη μεταφορά του εργαλείου, βεβαιωθείτε να αποσυνδέσετε το εργαλείο από την ηλεκτρική παροχή και ότι όλα τα κινούμενα μέρη του εργαλείου είναι ασφαλισμένα. Να ελέγχετε πάντα τα ακόλουθα:

- Το εργαλείο είναι αποσυνδεδεμένο από την ηλεκτρική παροχή.
- Η κινητή βάση βρίσκεται σε θέση κωνικής γωνίας 0° και είναι ασφαλισμένη.
- Η κινητή βάση χαμηλώνεται και κλειδώνεται.
- Η κινητή βάση σύρεται προς τα μέρος σας πλήρως και ασφαλισμένα.
- Η περιστροφική βάση βρίσκεται στην τέρμα δεξιά θέσης λοξής γωνίας και έχει ασφαλιστεί.

Μεταφέρετε το εργαλείο κρατώντας τη λαβή μεταφοράς και τη μία πλευρά της βάσης εργαλείου ή κρατώντας και τις δύο πλευρές της βάσης εργαλείου.

► **Εικ.49**

► **Εικ.50**

**ΠΡΟΕΙΔΟΠΟΙΗΣΗ:** Ο ανασταλτικός πείρος για την ανύψωση κινητής βάσης προορίζεται μόνο για τον σκοπό μεταφοράς, αποθήκευσης και ρύθμισης και όχι για εργασίες κοπής. Η χρήση του ανασταλτικού πείρου για εργασίες κοπής μπορεί να προκαλέσει μη αναμενόμενη κίνηση της λάμας διακοπρίονου προκαλώντας κλότσημα και σοβαρό προσωπικό τραυματισμό.

**ΠΡΟΣΟΧΗ:** Να ασφαρίζετε πάντα όλα τα κινούμενα τμήματα πριν μεταφέρετε το εργαλείο. Σε περίπτωση μετακίνησης ή ολίσθησης μερών του εργαλείου μπορεί να προκύψει απώλεια ελέγχου ή ισορροπίας προκαλώντας προσωπικό τραυματισμό.

**ΠΡΟΣΟΧΗ:** Βεβαιωθείτε ότι η ανύψωση κινητής βάσης έχει ασφαλιστεί σωστά στο κάτω μέρος της με τον ανασταλτικό πείρο. Αν ο ανασταλτικός πείρος δεν δεσμευτεί σωστά, η κινητή βάση μπορεί να πεταχτεί απότομα προς τα πάνω και να προκληθεί προσωπικός τραυματισμός.

## ΣΥΝΤΗΡΗΣΗ

**ΠΡΟΕΙΔΟΠΟΙΗΣΗ:** Να βεβαιώνετε πάντα ότι το εργαλείο είναι σβηστό και αποσυνδεδεμένο από την ηλεκτρική παροχή πριν εκτελέσετε οποιαδήποτε εργασία επιθεώρησης ή συντήρησης. Αν δεν αποσυνδέσετε και απενεργοποιήσετε το εργαλείο, μπορεί να έχει ως αποτέλεσμα την τυχαία εκκίνηση του εργαλείου, γεγονός που μπορεί να έχει ως αποτέλεσμα σοβαρό προσωπικό τραυματισμό.

**ΠΡΟΕΙΔΟΠΟΙΗΣΗ:** Πάντοτε να επιβεβαιώνετε ότι η λάμα πριονιού είναι ακονισμένη και καθαρή για την καλύτερη και ασφαλέστερη απόδοση. Εάν επιχειρήσετε να εκτελέσετε κοπή χρησιμοποιώντας στομωμένη ή/και ακάθαρτη λάμα πριονιού, μπορεί να προκληθεί κλότσημα και κατά συνέπεια σοβαρός τραυματισμός.

**ΕΙΔΟΠΟΙΗΣΗ:** Μην χρησιμοποιείτε ποτέ βενζίνη, πετρελαϊκό αιθέρα, διαλυτικό, αλκοόλη ή παρόμοιες ουσίες. Μπορεί να προκληθεί αποχρωματισμός, παραμόρφωση ή ρωγμές.

Για τη διατήρηση της ΑΣΦΑΛΕΙΑΣ και ΑΞΙΟΠΙΣΤΙΑΣ του προϊόντος, οι επισκευές και οποιαδήποτε άλλη εργασία συντήρησης ή ρύθμισης πρέπει να εκτελούνται από εξουσιοδοτημένα ή εργοστασιακά κέντρα εξυπηρέτησης της Makita, χρησιμοποιώντας πάντοτε ανταλλακτικά της Makita.

## Ρύθμιση της γωνίας κοπής

Αυτό το εργαλείο είναι προσεκτικά ρυθμισμένο και ευθυγραμμισμένο στο εργοστάσιο, αλλά σκληρή μεταχείριση μπορεί να έχει επηρεάσει την ευθυγράμμιση. Εάν το εργαλείο σας δεν είναι ευθυγραμμισμένο κατάλληλα, εκτελέστε τα ακόλουθα:

### Λοξή γωνία

1. Ασφαλίστε την κινητή βάση στη χαμηλωμένη θέση με τον ανασταλτικό πείρο. Σπρώξτε την κινητή βάση προς το φράχτη οδηγό και σφίξτε την κεφαλόβιδα για να στερεώσετε την κινητή βάση.

2. Θέστε την περιστροφική βάση στη θέση 0° χρησιμοποιώντας τη λειτουργία θετικής διακοπής. (Αφήστε το όπως είναι εάν ο δείκτης δεν δείχνει τις 0°.)

3. Χαλαρώστε τα μπουλόνια εξαγωνικού κοιλώματος που ασφαλίζουν το φράχτη οδηγό χρησιμοποιώντας το εξαγωνικό κλειδί.

► **Εικ.51:** 1. Ανασταλτικός πείρος 2. Κεφαλόβιδα 3. Μπουλόνια εξαγωνικού κοιλώματος

4. Ορθογωνίστε το πλαινό της λάμας πριονιού με την πρόσοψη του φράχτη οδηγού χρησιμοποιώντας τριγωνικό κανόνα ή τετράγωνο κανόνα. Μετά, σφίξτε σταθερά τα μπουλόνια εξαγωνικού κοιλώματος στον φράχτη οδηγό με τη σειρά από τη δεξιά πλευρά.

► **Εικ.52:** 1. Φράχτης οδηγός 2. Τριγωνικός κανόνας

5. Αν ο δείκτης δεν δείχνει 0°, χαλαρώστε τη βίδα που ασφαλίζει τον δείκτη και ρυθμίστε τον δείκτη έτσι ώστε να δείχνει 0°.

► **Εικ.53:** 1. Βίδα 2. Δείκτης 3. Κλίμακα λοξής γωνίας

### Κωνική γωνία

#### 0° κωνική γωνία

1. Ασφαλίστε την κινητή βάση στη χαμηλωμένη θέση με τον ανασταλτικό πείρο. Σπρώξτε την κινητή βάση προς το φράχτη οδηγό και σφίξτε την κεφαλόβιδα για να στερεώσετε την κινητή βάση.

2. Χαλαρώστε τον μοχλό. Μετά, γυρίστε το ρυθμιστικό μπουλόνι 0° δύο ή τρεις στροφές αριστερόστροφα για να γείρετε τη λάμα δισκοπριονίου προς τα δεξιά.

► **Εικ.54:** 1. Μοχλός 2. Ρυθμιστικό μπουλόνι 0°

3. Ορθογωνίστε προσεκτικά το πλαινό της λάμας πριονιού με την άνω επιφάνεια της περιστροφικής βάσης χρησιμοποιώντας έναν τριγωνικό κανόνα, τετράγωνο κανόνα, κτλ., περιστρέφοντας το ρυθμιστικό μπουλόνι 0° δεξιόστροφα. Μετά, σφίξτε καλά τον μοχλό για να ασφαλίσετε τη γωνία 0° που έχετε ρυθμίσει.

► **Εικ.55:** 1. Τριγωνικός κανόνας 2. Λάμα πριονιού 3. Άνω επιφάνεια της περιστροφικής βάσης

4. Αν ο δείκτης δεν δείχνει 0°, χαλαρώστε τη βίδα που ασφαλίζει τον δείκτη και ρυθμίστε τον έτσι ώστε να δείχνει 0°.

► **Εικ.56:** 1. Βίδα 2. Δείκτης 3. Κωνική κλίμακα

#### 45° κωνική γωνία

**ΕΙΔΟΠΟΙΗΣΗ:** Πριν ρυθμίσετε την κωνική γωνία 45°, ολοκληρώστε τη ρύθμιση κωνικής γωνίας 0°.

1. Σφίξτε την κεφαλόβιδα για να ασφαλίσετε την κινητή βάση.

2. Χαλαρώστε τον μοχλό. Μετά, γείρετε πλήρως την κινητή βάση προς τα αριστερά.

► **Εικ.57:** 1. Κεφαλόβιδα 2. Μοχλός

3. Ελέγξτε αν ο δείκτης υποδεικνύει τη θέση 45° στην κλίμακα κωνικής γωνίας.

Αν ο δείκτης δεν δείχνει τη θέση 45°, ευθυγραμμίστε τη με τη θέση 45° περιστρέφοντας το ρυθμιστικό μπουλόνι 45°.

► **Εικ.58:** 1. Ρυθμιστικό μπουλόνι 45°

### Αντικατάσταση καρβουνακίων

Αφαιρείτε και ελέγχετε τα καρβουνάκια τακτικά. Αντικαθιστάτε όταν φθαρούν μέχρι το σημάδι ορίου. Κρατάτε τα καρβουνάκια καθαρά και ελεύθερα να ολισθαίνουν στις θήκες. Και τα δύο καρβουνάκια πρέπει να αντικαθίστανται ταυτόχρονα. Να χρησιμοποιείτε μόνο καρβουνάκια ίδιου τύπου.

► **Εικ.59:** 1. Σημάδι ορίου

Χρησιμοποιήστε ένα κατσαβίδι για να αφαιρέσετε τα καπάκια των θηκών καρβουνακίων. Βγάλτε τα φθαρμένα καρβουνάκια, τοποθετήστε τα καινούρια και ασφαλίστε τα καπάκια των θηκών καρβουνακίων.

► **Εικ.60:** 1. Καπάκι θήκης καρβουνακίου

### Μετά τη χρήση

Μετά τη χρήση, σφουγγίστε τα τεμαχίδια και τη σκόνη που είναι κολλημένα στο εργαλείο με ένα πανί ή κάτι παρόμοιο. Κρατήστε τον προφυλακτήρα λάμας καθαρό σύμφωνα με τις οδηγίες στην προηγούμενης καλυφθείσα ενότητα με τίτλο «Προφυλακτήρας λάμας». Λιπαίνετε τα μέρη που γλιστρούν με μηχανικό έλαιο για να μην οξειδωθούν.

## ΠΡΟΑΙΡΕΤΙΚΑ ΕΞΑΡΤΗΜΑΤΑ

**▲ ΠΡΟΕΙΔΟΠΟΙΗΣΗ:** Αυτά τα εξαρτήματα Makita ή προσαρτήματα συνιστώνται για χρήση με το εργαλείο Makita που περιγράφτηκε στις οδηγίες αυτές. Η χρήση οποιωνδήποτε άλλων εξαρτημάτων ή προσαρτημάτων μπορεί να καταλήξει σε πρόκληση σοβαρού τραυματισμού.

**▲ ΠΡΟΕΙΔΟΠΟΙΗΣΗ:** Το εξαρτήματα ή το προσαρτήματα της Makita να χρησιμοποιείται μόνο για την προοριζόμενη χρήση του. Η κακή χρήση ενός εξαρτήματα ή προσαρτήματος μπορεί να καταλήξει σε πρόκληση σοβαρού τραυματισμού.

Εάν χρειάζεστε οποιαδήποτε βοήθεια για περισσότερες πληροφορίες σε σχέση με αυτά τα εξαρτήματα, αποτανθείτε στο τοπικό σας κέντρο εξυπηρέτησης Makita.

- Ατσάλινες λάμες πριονιού με μύτες καρβιδίου
- Κάθετη μέγγενη
- Σάκος σκόνης
- Τριγωνικός κανόνας
- Εξαγωνικό κλειδί
- Σετ σταντ

**ΠΑΡΑΤΗΡΗΣΗ:** Μερικά στοιχεία στη λίστα μπορεί να συμπεριλαμβάνονται στη συσκευασία εργαλείου ως στάνταρ εξαρτήματα. Μπορεί να διαφέρουν ανάλογα με τη χώρα.

## TEKNİK ÖZELLİKLER

<b>Model:</b>		<b>LS0816F</b>
Bıçak çapı		216 mm
Delik çapı	Avrupa ülkeleri	30 mm
	Avrupa dışındaki ülkeler	25,4 mm ya da 30 mm (ülkeye özgü)
Testere bıçağı maks. kesim kalınlığı		2,8 mm
Maks. gönye açısı		Sol 47°, Sağ 47°
Maks. eğim açısı		Sol 47°, Sağ 2°
Yüksüz hız (Devir/Dak)		5.000 min <sup>-1</sup>
Ebat (U x G x Y)		476 mm x 705 mm x 521 mm
Net ağırlık		13,9 kg
Emniyet sınıfı		□/II

- Sürekli yapılan araştırma ve geliştirmelerden dolayı, burada belirtilen özellikler önceden bildirilmeksizin değiştirilebilir.
- Özellikler ülkeden ülkeye değişebilir.
- EPTA-Prosedürü 01/2014 uyarınca ağırlık

### ø 216 mm testere bıçağıyla kesme kapasiteleri (Y x G)

Gönye açısı	Eğim açısı		
	45° (sol)	0°	2° (sağ)
0°	36 mm x 305 mm	65 mm x 305 mm	60 mm x 305 mm
45° (sağ ve sol)	36 mm x 215 mm	65 mm x 215 mm	-

## Semboller

Ekipmanı için kullanılabilecek semboller aşağıda gösterilmiştir. Kullanmadan önce anlamlarını anladığınızdan emin olun.



Kullanma kılavuzunu okuyun.



ÇİFT YALITIMLI



Güvenlik gözlüğü takın.



Sıçrayan parçalardan yaralanmayı önlemek için kesim bittikten sonra testere bıçağı tamamen durana kadar testere kafasını daima aşağıda tutun.



Kızaklı kesme sırasında önce taşıyıcıyı tamamen çekin ve tutamağa bastırın, ardından taşıyıcıyı kılavuz bariyeri boyunca itin.



Elinizi ve parmaklarınızı testere bıçağına yaklaştırmayın.



Kayar bariyerleri testere bıçağı ve bıçak sipirinde uzağa düzgün bir biçimde ayarlayın.



Çalışan lambaya bakmayın.



Sadece AB ülkeleri için  
Ekipmanda tehlikeli bileşenler bulunduğundan dolayı eski elektrikli ve elektronik ekipmanlar çevre ve insan sağlığı üzerinde olumsuz etkiye yol açabilir.  
Elektrikli ve elektronik cihazları evsel atıklarla birlikte atmayın!  
Atık elektrikli ve elektronik ekipmanlar hakkındaki Avrupa Direktifi ve söz konusu direktifin ulusal yasalara uyarlanması gereğince eski elektrikli ve elektronik ekipmanlar ayrı olarak toplanmalı ve çevre koruma mevzuatına uygun olarak faaliyet gösteren ayrı bir kentsel atık toplama noktasına teslim edilmelidir.  
Bu husus, ekipmanın üzerine yerleştirilmiş üzerinde çarpı işareti bulunan tekerlekli çöp kovası simgesi ile belirtilmiştir.

## Kullanım amacı

Bu alet, ahşap malzemede hassas düz ve gönye kesme yapmak için tasarlanmıştır. Uygun testere bıçakları ile alüminyum da kesilebilir. Ayrıntılar için KULLANIM kısmına bakın.

## Güç kaynağı

Aletin, yalnızca isim levhasında belirtilenle aynı voltajlı güç kaynağına bağlanması gerekir ve yalnızca tek fazlı AC güç kaynağıyla çalıştırılabilir. Çifte yalıtımlıdır ve topraklamasız prizlerle de kullanılabilir.

## Gürültü

Tipik A-ağırlıklı gürültü düzeyi (EN62841-3-9 standardına göre belirlenen):

Ses basınç seviyesi ( $L_{pA}$ ): 91 dB (A)

Ses gücü düzeyi ( $L_{WA}$ ): 102 dB (A)

Belirsizlik (K): 3 dB (A)

**NOT:** Beyan edilen gürültü emisyonu değer(ler)i bir standart test yöntemine uygun şekilde ölçülmüştür ve bir aleti bir başkasıyla karşılaştırmak için kullanılabilir.

**NOT:** Beyan edilen gürültü emisyonu değer(ler) i bir ön maruz kalma değerlendirmesi olarak da kullanılabilir.

**UYARI:** Kulak koruyucuları takın.

**UYARI:** Elektrikli aletin gerçek kullanımı sırasındaki gürültü emisyonu, aletin kullanım biçimlerine, özellikle işlenen iş parçasının türüne bağlı olarak beyan edilen değer(ler)den farklı olabilir.

**UYARI:** Gerçek kullanım koşullarındaki tahmini maruziyeti baz alan, operatörü koruyacak güvenlik önlemlerini mutlaka belirleyin (çalışma döngüsü içerisinde aletin kapalı olduğu ve aktif durumda olmasının yanı sıra boşta çalıştığı zamanlar gibi, bütün zaman dilimleri göz önünde bulundurarak).

## Uygunluk Beyanları

### Sadece Avrupa ülkeleri için

Uygunluk beyanları bu kullanma kılavuzuna Ek A olarak eklenmiştir.

## GÜVENLİK UYARILARI

### Genel elektrikli alet güvenliği uyarıları

**UYARI** Bu elektrikli aletle birlikte verilen tüm güvenlik uyarılarını, talimatları, resimli açıklamaları ve teknik özellikleri okuyun. Aşağıda listelenen talimatların herhangi birine uyulmaması elektrik çarpması, yangın ve/veya ciddi yaralanma ile sonuçlanabilir.

### Tüm uyarıları ve talimatları ile-ride başvurmak için saklayın.

Uyarılardaki "elektrikli alet" terimi ile ya prizden çalışan (kordonlu) elektrikli aletiniz ya da kendi aküsü ile çalışan (kordonsuz) elektrikli aletiniz kastedilmektedir.

#### Çalışma alanı güvenliği

- Çalışma alanını temiz tutun ve iyi aydınlatın.** Karmakarışık ve karanlık alanlar kazalara davetiye çıkarır.
- Elektrikli aletleri çabuk tutuşan sıvıların, gazların ya da tozların bulunduğu yerler gibi patlayıcı ortamlarda çalıştırmayın.** Elektrikli aletler tozları ya da dumanları tutuşturabilecek kıvılcımlar çıkarır.
- Bir elektrikli aleti kullanırken çocukları ve seyredenleri uzak tutun.** Dikkatinizin başka tarafa çekilmesi kontrolü kaybetmenize neden olabilir.

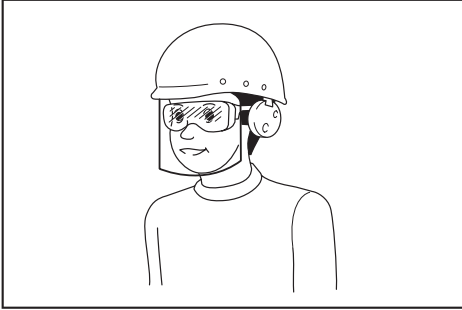
### Elektrik Güvenliği

- Elektrikli aletlerin fişleri prize uygun olmalıdır. Fişlerde herhangi bir şekilde değişiklik yapmayın. Topraklı elektrikli aletlere fiş adaptörleri kullanmayın.** Üstünde değişiklik yapılmamış fişler ve bunlara uygun prizler elektrik şoku riskini düşürür.
- Topraklama yapılan borular, radyatörler, kuzineler ve buzdolapları gibi yüzeylere vücut temasından kaçının.** Vücudunuz toprak hattıyla temas ederse elektrik şoku riski artar.
- Elektrikli aletleri yağmura ve ıslak koşullara maruz bırakmayın.** Bir elektrikli aletin içine su girmesi elektrik şoku riskini artırır.
- Kordonu kötü kullanmayın. Elektrikli aleti taşımak, çekmek ya da fişten çekmek için asla kordonunu kullanmayın. Kordonu ısıdan, yağdan, keskin kenarlılardan ya da hareketli parçalardan uzak tutun.** Hasar görmüş ya da dolaşık kordonlar elektrik şoku riskini artırır.
- Elektrikli aletleri açık havada kullanırken, açık havada kullanılmaya uygun bir uzatma kablosu kullanın.** Açık havada kullanılmaya uygun bir uzatma kablosu kullanımı elektrik şoku riskini düşürür.
- Eğer elektrikli bir aleti ıslak bir yerde kullanmazsanız kaçınılmazsa, artık akım cihazı (RCD) ile korunan bir güç kaynağı kullanın.** Kaçak akım rölesi kullanımı elektrik şoku riskini azaltır.
- Artık akım anma değeri 30 mA veya daha az olan bir RCD üzerinden güç kaynağı kullanılması tavsiye edilir.**
- Elektrikli el aletleri kullanıcıya zarar vermeyen elektromanyetik alanlar üretebilir.** Bununla birlikte kalp pili veya benzeri tıbbi cihazlar kullanan kullanıcılar bu elektrikli el aletini kullanmadan önce tavsiye almak üzere cihaz üreticilerine ve/veya doktorlarına başvurmalıdır.
- Elektrik fişine ıslak ellerle dokunmayın.**
- Kablo hasar görürse, tehlikeli bir durum oluşmaması için üretici ya da temsilcisi tarafından değiştirilmelidir.**

#### Kişisel güvenlik

- Bir elektrikli aleti kullanırken tetikte olun, ne yaptığınıza dikkat edin ve sağduyunuzu kullanın.** Yorgunken, uyuşturucu madde kullanırken, alkolün ya da ilaçların etkisi altındayken bir elektrikli aleti kullanmayın. Elektrikli aletleri kullanırken bir anlık dikkatsizlik ciddi bir yaralanmayla sonuçlanabilir.
- Kişisel koruyucu ekipman kullanın. Daima göz koruması kullanın.** Uygun koşullarda toz maskeleri, altı kaymayan emniyetli ayakkabılar, sert başlıklar ya da kulak korumaları gibi koruyucu donanımların kullanılması, yaralanmaları önler.
- Aletin istem dışı çalışmasını önleyin. Güç kaynağını ve/veya pili devreye bağlamadan, aleti elinize almadan veya taşımadan önce anahtarın kapalı konumunda olduğundan emin olun.** Elektrikli aletleri parmağınız anahtarın üzerindeyken taşıma ya da anahtar açık konumundayken onlara güç verme kazalara davetiye çıkarır.
- Elektrikli aleti çalıştırmadan önce üstünde ayar anahtarları varsa çıkarın.** Elektrikli aletin hareketli bir parçasına takılı kalan bir anahtar yaralanma sonucunu doğurabilir.

5. **Fazla ileriye uzanmaya çalışmayın.** Her zaman **kere sağlam basın ve dengeyi koruyun.** Bu beklenmedik durumlarda elektrikli aleti daha iyi kontrol etmenizi sağlar.
6. **İşe uygun giyinin.** Bol elbiseler ya da sallanan takılar kullanmayın. Saçlarınızı ve giysilerinizi hareketli parçalardan uzak tutun. Bol elbiseler, takılar ya da uzun saçlar hareketli parçalara kapılabilir.
7. **Toz çekme ve toplama kolaylaştırıcılarının bağlanması için aygıtlar sağlanmısa bunların bağlanıp gerektiği şekilde kullanılmasını sağlayın.** Toz toplama donanımı kullanılması toza bağlı tehlikeleri önleyebilir.
8. **Aletlerin sık kullanımından kaynaklanan aşınalık duygusunun rahat davranmanıza ve aletin güvenlik ilkelerini göz ardı etmenize neden olmasına izin vermeyin.** Dikkatsiz bir harekette bulunmak bir anda ciddi yaralanmalara neden olabilir.
9. **Elektrikli aletleri kullanırken gözlerinizi korumak için daima koruyucu gözlük kullanın.** Gözlüklerin ABD'de ANSI Z87.1 ile, Avrupa'da EN 166 ile ya da Avustralya/Yeni Zelanda'da AS/NZS 1336 ile uyumlu olması gereklidir. Avustralya/Yeni Zelanda'da, yüzünüzü korumanız için yüz koruyucu maske kullanılması da yasal olarak gereklidir.



**Alet operatörlerinin ve çalışma alanının yakınında çalışan diğer kişilerin uygun koruyucu güvenlik ekipmanlarını kullanmasının sağlanması, işverenin yükümlülüğündedir.**

#### **Elektrikli aletlerin kullanımı ve bakımı**

1. **Elektrikli aleti zorlamayın.** Uygulamanız için doğru olan elektrikli aleti kullanın. Doğru elektrikli alet için amaçlanan hızda daha iyi ve daha güvenli yapılmasını sağlar.
2. **Anahtar açılıp kapanıyorsa elektrikli aleti kullanmayın.** Anahtarla kontrol edilemeyen bir elektrikli alet tehlikelidir ve onarılmalıdır.
3. **Herhangi bir ayarlama yapmadan, aksesuar değiştirmeden ya da elektrikli aletleri saklamadan önce fişlerini prizden çekin ve/veya, eğer çıkartılabiliyorsa, batarya kutusunu çıkarın.** Bu önleyici güvenlik önlemleri elektrikli aletin kazayla çalışma riskini azaltır.
4. **Kullanılmayan elektrikli aletleri çocukların ulaşamayacağı yerlerde saklayın ve elektrikli aleti tanımayan ya da bu talimatları bilmeyen kişilerin elektrikli aleti kullanmasına izin vermeyin.** Elektrikli aletler eğitimsiz kişilerin ellerinde tehlikeli olur.

5. **Elektrikli aletleri ve aksesuarları bakımlı tutun.** Hareketli parçaların ayar bozukluklarını ve takılmalarını, parçalardaki kırıkları ve elektrikli aletlerin işleyişlerini etkileyecek başka durumları kontrol edin. Elektrikli aleti, hasarlıysa, kullanmadan önce tamir ettirin. Birçok kazaya bakımı iyi yapılmamış elektrikli aletler neden olur.
6. **Bıçakları Temiz ve Keskin Tutun.** Kesici kenarları keskin ve bakımı iyi yapılmış bıçaklar daha az takılma yapar ve daha kolay kontrol edilir.
7. **Elektrikli aleti, aksesuarlarını ve uçlarını, vb. yapılacak işi ve çalışma koşullarını göz önünde tutarak bu talimatlara uygun olarak kullanın.** Elektrikli aletin kullanım amacı dışında kullanılması tehlikeli bir durum ortaya çıkarabilir.
8. **Tutamakları ve kavrama noktalarını kuru, temiz ve yağ ve gres bulaşmamış halde bulundurun.** Kaygan tutamaklar ve kavrama yüzeyleri, beklenmedik durumlarda aletin güvenli bir şekilde kullanılmasını ve kontrol edilmesini zorlaştırır.
9. **Aleti kullanırken dolanabilecek bez iş eldiveni takmayın.** Bez iş eldivenlerinin hareketli parçalara dolanması yaralanmaya neden olabilir.

#### **Servis**

1. **Elektrikli aletinize nitelikli bir onarım elemanı tarafından orijinal parçaları kullanılarak servis verilmesini sağlayın.** Bu, elektrikli aletin güvenli kalmasını temin eder.
2. **Yağlama ve aksesuar değiştirme talimatlarına uyun.**

### **Gönye kesme testereleri için güvenlik talimatları**

1. **Gönye kesme testereleri ahşap veya ahşap benzeri ürünleri kesmek için tasarlanmıştır, çubuklar, rodlar, saplamalar, vb. gibi demir malzemeleri kesmek için aşındırıcı kesim diskleriyle kullanılamaz.** Aşındırıcı toz alt siper gibi hareketli parçaların sıkışmasına neden olur. Aşındırıcı kesimden kaynaklanan kıvılcıklar alt siperi, kesim kanalı ve diğer plastik parçaları yakar.
2. **Mümkün olan her durumda iş parçasını menegenel kullanarak destekleyin.** İş parçasını elle destekliyorsanız elini daima testere bıçağının her iki tarafından en az 100 mm uzakta tutun. Bu testereyi, sabitlemeyecek veya elle tutulamayacak kadar küçük parçaları kesmek için kullanmayın. Eliniz testere bıçağına çok yakın yerleştirilirse yüksek oranda bıçağa temas ederek yaralanma riski vardır.
3. **İş parçası sabit olmalı ve mengene ile sabitlenmeli veya bariyer ve tezgaha dayanacak şekilde tutulmalıdır.** İş parçasını "sabitlemeden" hiçbir şekilde bıçağa sürmeyin veya kesmeyin. Sabitlememiş veya hareket eden iş parçaları yüksek hızlarda fırlayarak yaralanmaya neden olabilir.
4. **Testereyi iş parçası boyunca itin.** Testereyi iş parçası boyunca çekmeyin. Kesim yapmak için testere kafasını kaldırın ve kesmeden iş parçasının üzerinden dışarı çekin, motoru çalıştırın, testere kafasını aşağı doğru bastırın ve testereyi iş parçası boyunca itin. Çekmek suretiyle kesim yapılması testere bıçağının iş parçasının üzerine tırmanmasına ve bıçak takımını operatöre doğru şiddetle fırlatmasına neden olabilir.



5. **Elinizi, testere bıçağının önünden veya arkasından tasarlanan kesim çizgisinin öbür tarafa geçirmeyin.** İş parçasının "çapraz şekilde" yani iş parçasını testere bıçağının sağında sol elinizle tutarak veya tersi şekilde desteklemek çok tehlikelidir.
  - **Şek.1**
  6. **Bıçak dönerken atık ahşap parçalarını kaldırmak veya başka herhangi bir nedenle testere bıçağının her iki tarafına 100 mm'den daha yakın olacak şekilde ellerinizle bariyerin arkasına uzanmayın.** Dönen testere bıçağının elinize olan yakınlığı belli olmayabilir ve ciddi şekilde yaralanabilirsiniz.
  7. **Kesmeden önce iş parçasını inceleyin. İş parçası eğri veya çarpık ise dış eğri kısmı bariyere gelecek şekilde mengene ile sabitleyin. Kesim çizgisi boyunca iş parçası, bariyer ve tezgah arasında boşluk kalmadığından daima emin olun.** Eğri veya çarpık iş parçaları dönebiller veya kayabilir ve kesim sırasında dönen testere bıçağına takılmasına neden olabilir. İş parçasında çivi veya yabancı maddeler olmalıdır.
  8. **Tezgahta iş parçası dışındaki tüm aletler, atık ahşap parçaları, vb. kaldırılmadan testereyi kullanmayın.** Dönen bıçağa temas eden küçük atıklar veya gevşek ahşap parçaları ya da başka nesnelere yüksek hızla fırlayabilir.
  9. **Tek seferde sadece bir adet iş parçası kesin.** Üst üste dizilen birden fazla iş parçası yeterli kadar sabitlenemeyebilir veya desteklenemeyebilir ve kesim sırasında bıçağa takılabilir veya kayabilir.
  10. **Kullanmadan önce gönye kesme makinasının düz, sabit bir çalışma yüzeyine monte edildiğinden veya yerleştirildiğinden emin olun.** Düz ve sabit çalışma yüzeyi gönye kesme makinasının dengesini yitirme riskini azaltır.
  11. **İşinizi planlayın. Eğim veya gönye açısı ayarını her değiştirdiğinizde ayarlanabilir bariyerin iş parçasını destekleyecek şekilde doğru ayarlandığından ve bıçak veya koruma siperi sistemine müdahale etmeyeceğinden emin olun.** Aleti "Açık" konuma almadan önce ve tezgaha iş parçası yokken bariyere müdahale edilmeyeceğinden emin veya bariyerin kesilme tehlikesi olmadığından emin olmak için testere bıçağını tam bir temsilî kesim yapacak şekilde hareket ettirin.
  12. **Tezgahtan daha geniş veya uzun iş parçası için tezgah uzantıları, testere tezgahları, vb. gibi yeterli destek sağlayın.** Gönye kesme makinasının tezgahından daha uzun veya daha geniş iş parçaları emniyetli bir şekilde desteklenmezse devrilebilir. Kesilen parça veya iş parçası devrilsen alt siperi kaldırabilir veya dönen bıçak tarafından fırlatılabilir.
  13. **Tezgah uzantısı veya ilave destek yerine başka bir kişiyi kullanmayın.** İş parçasının dengesiz şekilde desteklenmesi kesim işlemi sırasında bıçağın takılmasına veya iş parçasının kaymasına neden olarak sizi veya yardım eden kişiyi dönen bıçağa çekebilir.
  14. **Kesilen parça dönen testere bıçağına dayanacak şekilde hiçbir biçimde sıkıştırılmamalı veya bastırılmamalıdır.** Uzunluk dayanakları kullanarak sınırlandırılması durumunda kesilen parça bıçağa dayanıp kalarak şiddetli bir şekilde fırlayabilir.
  15. **Daima çubuklar veya borular gibi yuvarlak malzemeleri düzgün şekilde desteklemek üzere tasarlanmış mengene veya sabitleme aparatı kullanın.** Çubuklar kesilirken dönme eğilimi gösterdiklerinden bıçak iş parçasını kavrayarak elinizle birlikte bıçağa çekilmesine neden olur.
  16. **İş parçasına temas ettirmeden önce bıçağın tam hız çıkmasını bekleyin.** Bu, iş parçasının fırlatılma riskini düşüreceklerdir.
  17. **İş parçası veya bıçak sıkışırsa gönye kesme makinasını kapatın. Tüm hareketli parçaların durmasını bekleyin ve fişi elektrik prizinden çekin ve/veya bataryayı çıkarın. Daha sonra sıkışan malzemeyi çıkarmaya çalışın.** Sıkışan iş parçası ile kesmeye devam etmek kontrol kaybına veya gönye kesme makinasının hasar görmesine neden olabilir.
  18. **Kesimi tamamladıktan sonra anahtarı bırakın, testere kafasını aşağıda tutun ve kesilen parçayı çıkarmadan önce bıçağın durmasını bekleyin.** Boşta dönen bıçağın yakınına elinizle uzanmak tehlikelidir.
  19. **Sadece alet üzerinde işaretli olan ya da kılavuza belirtilen çapta testere bıçağı kullanın.** Yanlış boyutta bir testere bıçağı kullanılması testere bıçağının doğru şekilde korunmasını ya da siperin işleyişini etkileyebilir, bu da ciddi yaralanmalara neden olabilir.
  20. **Sadece hızı alet üzerinde işaretli olan hıza eşit ya da ondan daha yüksek olan testere bıçaklarını kullanın.**
  21. **Testereyi belirtilenin dışındaki malzemeleri kesmek için kullanmayın.**
  22. **(Sadece Avrupa ülkeleri için) Ahşap veya benzeri malzemeleri kesmeyi planlıyorsanız her zaman EN847-1 standardına uygun bıçak kullanın.**
- Ek talimatlar**
1. **Atölyeyi asma kilitlerle çocukların erişemeyeceği hale getirin.**
  2. **Hiçbir zaman aletin üzerine çıkmayın. Alet devrilir veya kesim aleti kazara temas ederse ciddi yaralanma meydana gelebilir.**
  3. **Aleti hiçbir zaman çalışır durumda başı boş bırakmayın. Gücü kapatın. Tamamen durmadan aletin başından ayrılmayın.**
  4. **Koruma siperlerini yerine takmadan testereyi kullanmayın. Her kullanımdan önce bıçak siperinin doğru bir şekilde kapatılıp kapatılmadığını kontrol edin. Bıçak siperi serbest bir şekilde hareket etmiyor ve anında kapanmıyorsa testereyi kullanmayın. Bıçak siperini asla açık konumda kalacak şekilde sıkıştırma ve bağlamayın.**
  5. **Ellerinizi testere bıçağının hareket alanından uzak tutun. Durana kadar boşta dönen testere bıçağına temastan sakının. Ciddi yaralanmalara sebep olabilir.**
  6. **Yaralanma riskini azaltmak için her enine kesimden sonra taşıyıcıyı tam geri konuma döndürün.**
  7. **Aleti taşımadan önce hareket eden tüm parçaları sabitleyin.**

8. Kesici kafanın aşağı sabitlenmesini sağlayan sabitleme pimi veya durdurucu mandal sadece taşıma ve saklama amacıyla kullanılmalı, hiçbir kesim işlemi sırasında kullanılmamalıdır.
9. Kullanmadan önce testere bıçağında çatlak ya da hasar olup olmadığını dikkatlice kontrol edin. Çatlak veya hasarlı testere bıçağını hemen değiştirin. Testere bıçaklarının üzerinde sertleşen sakız ve odun katranı testereyi yavaşlatır ve geri tepme potansiyelini artırır. Testere bıçağını ilk önce aletten çıkarıp daha sonra sakız veya katran temizleyici, sıcak su veya gaz yağı ile temizleyerek temiz tutun. Testere bıçağını temizlemek için asla benzin kullanmayın.
10. Kızaklı kesim yaparken GERİ TEPME meydana gelebilir. GERİ TEPME, kesim işlemi sırasında testere bıçağı iş parçasına takıldığında ve testere bıçağı hızlı bir şekilde operatöre doğru sürüldüğünde meydana gelir. Kontrol kaybı ve ciddi yaralanmayla sonuçlanabilir. Kesim işlemi sırasında testere bıçağı takılmaya başlarsa kesime devam etmeyin ve düğmeyi hemen bırakın.
11. Sadece bu alete uygun olan flanşları kullanın.
12. Mil, flanş (özellikle montaj yüzeyi) ve civatalara zarar gelmemesine dikkat edin. Bu parçalara zarar gelirse bıçak kırılabilir.
13. Dönüş kadesinin iyice sabitlendiğinden, kullanım sırasında hareket etmeyeceğinden emin olun. Testereyi sabit bir çalışma platformuna veya tezgaha sabitlemek için kaide üzerindeki delikleri kullanın. Aleti, operatörün konumu biçimsiz olacak şekilde ASLA kullanmayın.
14. Anahtar açılmadan önce mil kilidinin serbest olduğundan emin olun.
15. Testere bıçağının en düşük konumda dönüş kadesine temas etmediğinden emin olun.
16. Tutamağı elinizle sıkıca tutun. Başlatma ve durma sırasında testerenin hafifçe yukarı veya aşağı hareket ettiğini unutmayın.
17. Düğmeyi açmadan önce testere bıçağının iş parçasına temas etmediğinden emin olun.
18. Aleti gerçek bir iş parçası üzerinde kullanmadan önce bir süre boşa çalıştırın. İyi takılmamış veya tam dengelenmemiş bir testere bıçağının belirtileri olan titreşim ya da sallanma olup olmadığına bakın.
19. Anormal bir durum fark ederseniz kullanımı derhal durdurun.
20. Tetiği "Açık" konumda kilitlemeye çalışmayın.
21. Daima bu kılavuzda tavsiye edilen aksesuarları kullanın. Aşındırıcı disk gibi uygun olmayan aksesuarların kullanımı yaralanmaya sebep olabilir.
22. Bazı malzemeler zehirli olabilecek kimyasal maddeler içerir. Tozun solunmasını ve cilde temas etmesini önlemek için dikkatli olun. Malzeme tedarikçisinin güvenlik bilgilerini izleyin.

#### Çalışan lamba için ek güvenlik kuralları

1. İşığa bakmayın ya da ışık kaynağını doğrudan görmeyin.

## BU TALİMATLARI MUHAFAZA EDİNİZ.

**⚠UYARI:** Ürünü kullanırken (defalarca kullanınca kazanılan) rahatlık ve tanıdıklık duygusunun ilgili ürünün güvenlik kurallarına sıkı sıkıya bağlı kalmanızı yerine geçmesine İZİN VERMEYİN. YANLIŞ KULLANIM veya bu kullanma kılavuzunda belirtilen emniyet kurallarına uymama ciddi yaralanmaya neden olabilir.

## PARÇALARIN TANIMI

### ► Şek.2

1	Ayar vidası (alt limit konumu için)	2	Durdurucu kol	3	Toz torbası	4	Ayar vidası (taşıyıcıyı kaydırmak için)
5	İşaretçi (eğim açısı için)	6	Eğim açısı ölçeği	7	Kızak çubuğu	8	Dikey mengene
9	Kayar bariyer	10	0° ayar civatası (eğim açısı için)	11	Kılavuz bariyeri	12	Alt kaide
13	Dönüş kadesi	14	Gönye açısı ölçeği	15	İşaretçi (gönye açısı için)	16	Kesim kanalı
17	Ayar civatası (dönüş kadesi için)	18	Kilitleme kolu (dönüş kadesi için)	19	Kavrama kolu (dönüş kadesi için)	20	Toz toplayıcı siperi
21	Bıçak siperi	22	Lamba	23	Tutamak (çalıştırmak için)	24	Anahtar tetik
25	Asma kilidi deliği	26	Güvenlik kilidi düğmesi	27	Taşıma kolu	-	-

### ► Şek.3

1	Lamba düğmesi	2	Mil kilidi	3	Ayar civatası (maksimum kesme kapasitesi için)	4	Sabitlenme pimi (taşıyıcı yüksekliği için)
5	Ayar plakası	6	Altıgen anahtar	7	45° ayar civatası (eğim açısı için)	8	Kol (eğim açısı için)
9	Serbest bırakma düğmesi (eğim açısı için)	-	-	-	-	-	-

# KURULUM

## Tezgahın montajı

**⚠UYARI:** Aletin destek yüzeyinin üzerine gelmemesine dikkat edin. Gönye kesme makinasının kesim sırasında destek yüzeyine gelmesi, kontrolün kaybedilmesine ve ciddi kişisel yaralanmalara sebep olabilir.

1. Kaideyi civatalarla vidalayarak düz ve stabil bir yüzeye sabitleyin. Bu, kaymayı ve olası yaralanmaları önlemeye yardımcı olacaktır.

► **Şek.4:** 1. Civata 2. Montaj deliği

2. Ayar civatasını saat yönünde veya saatin aksi yönde döndürerek aletin sabit durması için zemin yüzeyi ile temas etmesini sağlayın.

► **Şek.5:** 1. Ayar civatası

## İŞLEVSEL NİTELİKLER

**⚠UYARI:** Alet üzerinde ayarlama ya da işleyiş kontrolü yapmadan önce aletin kapalı ve fişin prizden çıkartılmış olduğundan daima emin olun. Aletin kapatılmaması ve fişin prizden çıkarılmaması istemsiz olarak aletin başlatılması sonucu ciddi yaralanmalara neden olabilir.

## Tutamak kilidi

**⚠DİKKAT:** Sabitleme pimini serbest bırakırken daima tutamağı tutun. Aksi takdirde kol sıçrar ve kişisel yaralanmalara neden olabilir.

Alet gönderildiğinde, tutamak sabitleme pimi ile aşağı indirilmiş konumda kilitlemiştir. Tutamağı açmak için tutamağı hafifçe indirerek sabitleme pimini çekin.

► **Şek.6:** 1. Sabitleme pimi

## Kaydırma kilidi

Taşıyıcının kayma hareketine izin vermek için kolun ayar vidasını gevşetin. Taşıyıcının kayma hareketini kilitlemek için taşıyıcıyı istediğiniz konuma taşıyın ve ardından ayar vidasını iyice sıkın.

► **Şek.7:** 1. Ayar vidası 2. Kol

## Bıçak siperi

**⚠UYARI:** Bıçak siperini veya sipere bağlı olan yayı asla devre dışı bırakmayın ve çıkarmayın. Siperin devre dışı bırakılması sonucu açıkta kalan daire testere bıçağı kullanımı sırasında ciddi yaralanmalara neden olabilir.

**⚠UYARI:** Bıçak siperi ya da yayı hasarlı, arızalı ya da çıkmış ise aleti asla kullanmayın. Hasarlı, arızalı ya da çıkmış bir siperle aletin kullanılması ciddi yaralanmalara neden olabilir.

**⚠DİKKAT:** Güvenli çalışma için, bıçak siperini daima iyi durumda muhafaza edin. Bıçak siperinin işleyişinde herhangi bir düzensizlik olması durumunda kullanımı derhal durdurun. Siperin yaylı geri dönüş hareketini kontrol edin.

Kolu indirirken, bıçak siperi otomatik olarak kalkar. Siper yaylı olduğu için kesim tamamlandıktan sonra kol kaldırıldığında orijinal konumuna döner.

► **Şek.8:** 1. Bıçak siperi

## Temizleme

Şeffaf bıçak siperi kirlenirse ya da testereden çıkan tozların şeffaf bıçak siperine yapışması sonucu daire testere bıçağı ve/veya iş parçası kolayca görünür olmaktan çıkarsa, aletin fişini çekin ve siperi nemli bir bezle dikkatlice temizleyin. Plastik siper üzerinde çözücü ya da petrol bazlı temizleyiciler kullanmayın, aksi takdirde siper hasar görebilir.

Temizlik hazırlıkları kısmında listelenen adım adım talimatları izleyin.

1. Aletin kapalı ve fişinin çekili olduğundan emin olun.

2. Orta kapağı tutarken, altigen soket civatayı aletle birlikte verilen altigen anahtarla saatin aksi yönde çevirin.

3. Bıçak siperini ve orta kapağı kaldırın.

4. Temizlik tamamlandıktan sonra, orta kapağı yerine takın ve yukarıdaki işlemleri tersten uygulayarak altigen soket civatayı sıkılayın.

► **Şek.9:** 1. Altigen anahtar 2. Altigen soket civata 3. Orta kapak 4. Bıçak siperi

**⚠UYARI:** Bıçak siperini tutan yayı çıkarmayın. Siper zamanla aşınır ya da UV ışınlarına maruz kalma sonucu hasar görürse, yeni bir siper almak için Makita servisimize başvurun. **SİPERİ DEVRE DİŞİ BIRAKMAYIN VE ÇIKARMAYIN.**

## Kesim kanalını konumlandırma

Kesimin çıkış tarafında yarılmalara azaltmak için, bu alet dönüş kaidesi kesim kanalı ile birlikte sunulmuştur. Kesim kanalı, daire testere bıçağı kesim kanalına temas etmeyecek şekilde fabrikada ayarlanmıştır. Kullanmadan önce, kesim kanalını aşağıdaki gibi ayarlayın:

1. Aletin fişinin prizden çekili olduğundan emin olun. Ardından, kesim kanalını sabitleyen tüm vidaları (sağda ve solda üçer adet) gevşetin.

► **Şek.10:** 1. Kesim tahtası 2. Vida

2. Kesim tahtaları elle kolayca hareket ettirilebilecek kadar sıkılayın.

3. Tutamağı tam aşağıya indirin, ardından sabitleme pimi ile tutamağı bu pozisyonda kilitleyin.

4. Taşıyıcının kayma hareketini sabitleyen kol üzerindeki ayar vidasını gevşetin.

Taşıyıcıyı tamamen kendinize doğru çekin.

► **Şek.11:** 1. Ayar vidası 2. Kol

5. Kesim kanalını, testere bıçağı dişlerinin yan yüzeylerine yakın olacak şekilde ayarlayın.

► **Şek.12**

► **Şek.13:** 1. Daire testere bıçağı 2. Bıçak dişleri 3. Kesim tahtası 4. Sola eğimli kesim 5. Düz kesim

6. Ön vidaları sıkılayın (çok fazla sıkıştırmayın).

7. Taşıyıcıyı kesim kanalının ön ucu ile kılavuz bariyerlerinin arasındaki konuma kaydırın. Kesim kanalını, testere bıçağı dişlerinin yan yüzeylerine yakın olacak şekilde ayarlayın.

8. Orta vidaları sıkın (çok fazla sıkımayın).

9. Taşıyıcıyı kılavuz bariyerlerine doğru sonuna kadar itin ve ardından kesim kanalını, testere bıçağının dişlerinin yan yüzeylerine yakın olacak şekilde ayarlayın.

10. Arka vidaları sıkın (çok fazla sıkımayın).

11. Tutamak kilidi sabitleme pimini serbest bırakıp tutamağı kaldırın. Ardından tüm vidaları iyice sıkın.

**ÖNEMLİ NOT:** Eğim açısını ayarladıktan sonra kesim kanallarının doğru şekilde ayarlandığından emin olun. Kesim tahtalarının doğru bir şekilde ayarlanması; iş parçasının düzgün bir şekilde desteklenmesine ve iş parçasının aşınmasının en aza indirgenmesine yardımcı olur.

## Maksimum kesme kapasitesinin sağlanması

Bu alet fabrikada, 216 mm daire testere bıçağı için maksimum kesme kapasitesi sunacak şekilde ayarlanmıştır. Yeni bir daire testere bıçağı takarken, daire testere bıçağının alt limit konumunu her zaman kontrol edin ve gerekirse, aşağıdaki gibi ayarlayın:

1. Aletin fişini prizden çekin. Ardından, taşıyıcıyı kılavuz bariyerine doğru tam olarak itin ve tutamağı tam olarak aşağı indirin.

2. Ayar civatasını çevirmek için altıgen anahtar (tornavida tarafını) kullanın ve daire testere bıçağının kılavuz bariyeri ile dönüş kaidesinin ön yüzünün kesiştiği noktadan altından hafifçe uzanana kadar çevirin. ► **Şek.14:** 1. Ayar civatası 2. Kılavuz bariyeri

► **Şek.15**

3. Tutamağı sonuna kadar aşağıda tutarken daire testere bıçağının alt kaidenin herhangi bir parçasına dokunmadığına emin olmak için daire testere bıçağının elle döndürün. Gerekirse maksimum kesme kapasitesini yeniden ayarlayın.

**UYARI:** Yeni bir daire testere bıçağı taktıktan sonra ve aletin fişi çekilmiş durumda, tutamak tam olarak aşağı indirildiğinde daire testere bıçağının alt kaidenin herhangi bir parçasına dokunmadığına her zaman emin olun. Daire testere bıçağı kaideye temas ederse geri tepmeye neden olabilir ve ciddi yaralanmalara yol açabilir.

► **Şek.16**

## Durdurucu kol

Testere bıçağının alt limit konumu durdurucu kol ile kolayca ayarlanabilir. Alt limiti ayarlamak için, durdurucu kolu şekilde gösterildiği gibi ok yönünde çevirin. Ayar vidasını, tutamak sonuna kadar indirildiğinde testere bıçağı istenen konumda duracak şekilde çevirin.

► **Şek.17:** 1. Durdurucu kol 2. Ayar vidası

## Gönye açısının ayarlanması

**⚠DİKKAT:** Gönye açısını değiştirdikten sonra, kavrama kolunu iyice sıkıştırarak dönüş kaidesini sabitleyin.

**ÖNEMLİ NOT:** Dönüş kaidesini çevirirken, kolu tam olarak yukarı kaldırdığınızdan emin olun.

Dönüş kaidesini açmak için kavrama kolunu saatin aksi yönünde çevirin. Dönüş kaidesini hareket ettirmek için kilitleme kolunu yukarıda tutarken kavrama kolunu çevirin. İşaretçiyi gönye açısı ölçeğinde istenen açıya hizalayarak kavrama kolunu sıkın. ► **Şek.18:** 1. Kilitleme kolu 2. Kavrama kolu 3. İşaretçi

## Pozitif durma fonksiyonu

Bu gönye kesme makinasında pozitif durma fonksiyonu kullanılır. 0°, 15°, 22,5°, 31,6° ve 45° sağ/sol gönye açısını çabucak ayarlayabilirsiniz. Bu fonksiyonu kullanmak için kilitleme kolunu yukarıda tutarken dönüş kaidesini istenilen pozitif durma açısına yaklaştıracak şekilde hareket ettirin. Daha sonra kilitleme kolunu bırakın ve dönüş kaidesini, kilitlemeye kadar istediğiniz pozitif durma açısına alın.

## Eğim açısının ayarlanması

**⚠DİKKAT:** Eğim açısını değiştirdikten sonra, mutlaka kolu saat yönünde sıkarak sabitleyin.

**ÖNEMLİ NOT:** Eğim açısını ayarlamadan önce daima dikey mengenyeyi çıkarın.

**ÖNEMLİ NOT:** Daire testere bıçağını yatırırken taşıyıcının sonuna kadar kaldırılmış olduğundan emin olun.

**ÖNEMLİ NOT:** Eğim açılarını değiştirirken, kesim kanalını konumlandırma kısmında açıklanmış üzere kesim kanalını uygun şekilde yeniden konumlandığından emin olun.

**ÖNEMLİ NOT:** Kolu çok sert sıkımayın. Aksi takdirde eğim açısı kilitleme mekanizmasının arızalanmasına neden olabilir.

## Daire testere bıçağının sola 0° - 45° yatırılması

1. Kolu saatin aksi yönde çevirin.  
2. Tutamağı tutun ve taşıyıcıyı sola yatırın.  
3. İşaretçiyi eğim açısı ölçeğinde istenen açıya hizalayın.  
4. Kolu sabitlemek için saat yönünde döndürerek sıkın.

► **Şek.19:** 1. Kol 2. Tutamak 3. İşaretçi 4. Eğim açısı ölçeği

## Daire testere bıçağının sola 0° - 45°'yi geçecek şekilde yatırılması

1. Kolu saatin aksi yönde çevirin.
2. Tutamağı tutun ve taşıyıcıyı, sağ 2° tarafı için 0°'ye veya sol 47° tarafı için 45°'ye ayarlayın.
3. Taşıyıcıyı diğer tarafa hafifçe yatırın.
4. Serbest bırakma düğmesine basın.
5. Taşıyıcıyı, 0° - 45° aralığını geçen istenen konuma yatırın.
6. Kolu sabitlemek için saat yönünde döndürerek sıkın.

### Taşıyıcıyı sağ 2°'ye yatırırken

- **Şek.20:** 1. Kol 2. Tutamak 3. Serbest bırakma düğmesi

### Taşıyıcıyı sol 47°'ye yatırırken

- **Şek.21:** 1. Kol 2. Tutamak 3. Serbest bırakma düğmesi

## Anahtar işlemleri

**UYARI:** Aleti fişe takmadan önce, anahtar tetiğinin doğru şekilde çalışıp çalışmadığını ve bırakıldığında "KAPALI" konumuna dönüp dönmediğini mutlaka kontrol edin. Güvenlik kilidi düğmesine basmadan anahtar tetiği sıkıca çekmeyin. Bu, anahtarın kırılmasına neden olabilir. Anahtar düzgün bir şekilde çalışmayan bir aletle işlem yapmak kontrolün kaybedilmesine ve ciddi yaralanmalara neden olabilir.

**UYARI:** Anahtar tetiği tam olarak çalışmayan bir aleti ASLA kullanmayın. Anahtar çalışmayan bir alet SON DERECE TEHLİKELİ'dir ve kullanıma devam edilmeden önce onarılmalıdır, aksi takdirde ciddi kişisel yaralanmalara yol açabilir.

**UYARI:** Güvenlik kilidi düğmesini ASLA bantlayarak ya da başka bir yöntemle devre dışı bırakmaya çalışmayın. Güvenlik kilidi düğmesi devre dışı bırakılmış bir anahtar, istem dışı çalışmaya ve ciddi kişisel yaralanmalara neden olabilir.

**UYARI:** Güvenlik kilidi düğmesine basmadan sadece anahtar tetik çekildiğinde çalışan bir aleti ASLA kullanmayın. Tamir edilmesi gereken bir anahtar, istem dışı çalışmaya ve ciddi kişisel yaralanmalara neden olabilir. Daha fazla kullanmadan ÖNCE doğru bir şekilde tamir ettirmek için aleti bir Makita servisine götürün.

Anahtar tetiğinin kazara çekilmesini önlemek için, bir güvenlik kilidi düğmesi sunulmuştur. Aleti başlatmak için güvenlik kilidi düğmesine bastırın ve anahtar tetiği çekin. Durdurmak için anahtar tetiği bırakın.

Anahtar tetikte, aleti kilitlemek için bir asma kilit deliği bulunur.

- **Şek.22:** 1. Anahtar tetik 2. Güvenlik kilidi düğmesi 3. Asma kilit deliği

**UYARI:** Kanca ya da kablo çapı 6,35 mm'den küçük kilitler kullanmayın. Küçük bir kanca ya da kablo, aleti tam olarak kapalı konumda kilitleyemeyebilir ve istem dışı olarak çalışma sonucu ciddi yaralanmalar oluşabilir.

## Işıklı kesim çizgisi oluşturma

**DİKKAT:** Lamba yağmur geçirmez değildir. Lambayı suda yıkamayın veya yağmur ya da ıslak alanda kullanmayın. Aksi takdirde elektrik çarpmasına ve dumana neden olabilir.

**DİKKAT:** Yanarken veya kapatıldıktan hemen sonra çok sıcak olduğundan lambanın lensine dokunmayın. Yanıklara neden olabilir.

**DİKKAT:** Lambaya hasar vermemesi veya kullanım ömrünü kısaltmaması için lambayı darbeye maruz bırakmayın.

**DİKKAT:** Işığa bakmayın ya da ışık kaynağını doğrudan görmeyin.

LED lamba daire testere bıçağının üzerine bir ışık yayar ve testere bıçağının gölgesi iş parçasının üzerine düşerek kalibrasyon gerektirmeyen bir kesim çizgisi göstergesi işlevi görür. Işık tutmak için lamba düğmesine basın. Testere bıçağının iş parçası yüzeyi ile karşılaşacağı noktada bir çizgi belirir ve bu çizgi testere bıçağı indirildikçe yoğunlaşır.

- **Şek.23:** 1. Lamba düğmesi 2. Lamba 3. Kesim çizgisi

Gösterge, iş parçasına önceden kalemle işaretlenmiş kesim çizgisi boyunca kesmeye yardımcı olur.

1. Tutamağı tutun ve daire testere bıçağını indirin, böylece iş parçasının yüzeyine testere bıçağının yoğun bir gölgesi düşer.
2. İş parçasına çizilen kesim çizgisinin gölgesi düşen kesim çizgisi ile hizalayın.
3. Gerekirse gönye açılarını ve eğim açılarını ayarlayın.

**NOT:** Kullandıktan sonra lambayı mutlaka kapatın. Aksi takdirde lamba sıcak kalır.

## MONTAJ

**UYARI:** Alet üzerinde işlem yapmadan önce mutlaka aletin kapalı ve fişinin çekili olduğundan emin olun. Aletin kapatılmaması ve fişinin prizden çekilmemesi ciddi yaralanmalara neden olabilir.

## Altıgen anahtarın saklanması

Kullanılmadığı zamanlarda, altıgen anahtarın kaybolmasını önlemek için anahtar şekilde gösterildiği gibi saklayın.

- **Şek.24:** 1. Altıgen anahtar

## Sunta kesme bıçağının takılması veya çıkarılması

**⚠UYARI:** Daire testere bıçağını **takıp çıkarmadan önce mutlaka aletin kapalı ve fişinin çekili olduğundan emin olun.** Aletin istem dışı olarak başlatılması ciddi yaralanmalara neden olabilir.

**⚠UYARI:** Daire testere bıçağını **takıp çıkarmak için sadece ürünle verilen Makita anahtarını kullanın.** Anahtarın kullanılmaması altıgen soket civatasının aşırı derecede veya yetersiz sıkılmasına ve ciddi yaralanmalara neden olabilir.

**⚠UYARI:** **Hiçbir zaman bu aletle verilmemiş parçaları kullanmayın veya değiştirmeyin.** Bu tür parçaların kullanılması ciddi yaralanmaya sebep olabilir.

**⚠UYARI:** Daire testere bıçağını **taktıktan sonra sıkı bir şekilde taktığından mutlaka emin olun.** Daire testere bıçağının gevşek takılması ciddi yaralanmaya sebep olabilir.

## Daire testere bıçağının takılması veya çıkarılması için ortak hazırlıklar

1. Sabitleme pimini çekerek taşıyıcıyı açın, ardından taşıyıcıyı kaldırılmış konuma taşıyın.
2. Altıgen anahtarları kullanarak orta kapağı sabitleyen altıgen soket civatayı gevşetin. Ardından, bıçak siperini ve orta kapağı kaldırın.  
► **Şek.25:** 1. Altıgen anahtar 2. Altıgen soket civata 3. Orta kapak 4. Bıçak siperi

## Daire testere bıçağının takılması

**⚠DİKKAT:** Daire testere bıçağını **mutlaka daire testere bıçağı üzerindeki okun yönü bıçak kılıfı üzerindeki okun yönü ile aynı olacak şekilde takın.** Aksi takdirde yaralanma, alet ve/veya iş parçası üzerinde hasar oluşabilir.

1. “Daire testere bıçağının takılması veya çıkarılması için ortak hazırlıklar” kısmındaki adımları tamamlayın.
2. İği kilitlemek için şaft kilidine bastırın ve altıgen soket civatayı saat yönünde çevirerek gevşetmek için altıgen anahtarını kullanın. Ardından altıgen soket civatayı, dış flanş ve daire testere bıçağını çıkarın.  
► **Şek.26:** 1. Altıgen soket civata (sol tarafta) 2. Dış flanş 3. Mil kilidi
3. Daire testere bıçağını dikkatli bir şekilde iç flanşın üzerine monte edin. Daire testere bıçağının yüzeyindeki okun yönünün bıçak kılıfı üzerindeki okun yönü ile aynı olduğundan emin olun.  
► **Şek.27:** 1. Ok
4. Dış flanş ve altıgen soket civatayı takın. Mil kilidine bastırarak, altıgen soket civatayı (sol) altıgen anahtarla saatin aksi yönde iyice sıkın.  
► **Şek.28:** 1. Altıgen soket civata (sol) 2. Dış flanş 3. Daire testere bıçağı 4. Bilezik 5. İç flanş 6. İğ
- **Şek.29:** 1. Altıgen soket civata (sol tarafta) 2. Dış flanş 3. Mil kilidi

5. Bıçak siperini ve orta kapağı orijinal yerlerine takın. Ardından orta kapağı sabitlemek için altıgen soket civatasını sıkın.

Taşıyıcıyı indirin ve bıçak siperinin düzgün hareket ettiğini kontrol edin.

- **Şek.30:** 1. Altıgen anahtar 2. Altıgen soket civata 3. Orta kapak 4. Bıçak siperi

## Daire testere bıçağının çıkarılması

1. “Daire testere bıçağının takılması veya çıkarılması için ortak hazırlıklar” kısmındaki adımları tamamlayın.
2. Mili kilitlemek için mil kilidine bastırın. Altıgen anahtar ile altıgen soket civatayı saat yönünde gevşetin. Ardından altıgen soket civatayı, dış flanş ve daire testere bıçağını çıkarın.  
► **Şek.31:** 1. Altıgen soket civata (sol tarafta) 2. Dış flanş 3. Mil kilidi
3. İç flanş çıkartılırsa, iç flanş bıçak montaj parçası daire testere bıçağına bakacak şekilde iğn üzerine takın. Flanş yanlış takılırsa makineye sürünür.  
► **Şek.32:** 1. Altıgen soket civata (sol) 2. Dış flanş 3. Daire testere bıçağı 4. Bilezik 5. İç flanş 6. İğ

**ÖNEMLİ NOT:** Çıkarılan dış flanş ve altıgen soket civatayı kaybetmemeye dikkat edin.

## Bir elektrikli süpürgenin bağlanması

Temiz kesim işlemi yapmak istediğinizde bir Makita elektrikli süpürge bağlayın.

**ÖNEMLİ NOT:** Kullanılan elektrikli süpürge ve hortuma bağlı olarak toz toplama ağızlığı toz toplayıcı siperi tarafından bloke edilerek toz toplamasını imkansız hale getirebilir. Bu durumda elektrikli süpürgenin emiş gücünü düşürün.

- **Şek.33:** 1. Toz toplayıcı siperi

## Toz torbası

**⚠DİKKAT:** Kesim yaparken tozla ilgili tehlikeleri önlemek için **mutlaka toz torbasını takın veya bir elektrikli süpürge bağlayın.**

Toz torbası kullanımı, kesim işlemlerinin temiz, toz toplamanın da kolay bir şekilde yapılmasını sağlar. Toz torbasını takmak için toz torbasını toz ağızlığına bağlayın.

- **Şek.34:** 1. Toz torbası 2. Toz ağızlığı

Toz torbasının yarısı dolduğunda toz torbasını aletten ayırın ve bağlama elemanını çekip çıkarın. Toz torbasının içine yapışan ve daha fazla toplama yapılmasını engelleyebilecek olan parçacıkların çıkması için torbaya hafifçe vurarak içindekileri boşaltın.

- **Şek.35:** 1. Bağlama elemanı



## İş parçasının sabitlemesi

**⚠UYARI:** İş parçasını daima doğru tip vida kullanarak sabitlemek oldukça önemlidir. Aksi takdirde ciddi kişisel yaralanmalar, alet ve/veya iş parçası üzerinde hasar oluşabilir.

**⚠UYARI:** Bir kesme işleminden sonra testere bıçağı tam olarak durmadan bıçağı kaldırmayın. Boşta dönen testere bıçağının kaldırılması ciddi yaralanmalara ve iş parçasının zarar görmesine neden olabilir.

**⚠UYARI:** Gönye kesme makinasının destek kaidesinden daha uzun bir iş parçasını keserken, destek kaidesinin dışında kalan kısmın tamamının desteklendiğinden ve malzemeyi düz tutmak ile aynı yüksekliğin korunduğundan emin olun. İş parçasının doğru şekilde desteklenmesi bıçağın sıkışmasının ve yaralanmayla sonuçlanabilecek olası geri tepmelerin önlenmesine yardımcı olur. İş parçasını sabitlemek için sadece dikey mengene yeterli olmayabilir. İnce malzemeler eğilebilir. Bıçağın sıkışmasını ve olası bir GERİ TEPMEYİ önlemek için iş parçasının tüm uzunluğu boyunca desteklendiğinden emin olun.

► **Şek.36:** 1. Destek 2. Dönüş kaidesi

## Kılavuz bariyerleri

**⚠UYARI:** Aleti çalıştırmadan önce kayar bariyerin sabitleme vidası ile iyice sabitlendiğinden emin olun.

**⚠UYARI:** Eğimli kesim yapmadan önce aletin hiçbir parçasının, özellikle daire testere bıçağının, tutamağı her durumda tam aşağı ve yukarı kaldırıken ve taşıyıcı tüm hareket aralığı boyunca hareket ettirirken bariyerlere temas etmediğinden emin olun. Alet veya daire testere bıçağı bariyere temas ederse bu, geri tepmeye veya malzemenin beklenmedik hareketine ve ciddi yaralanmalara neden olabilir.

Bu alet bir kayar bariyer ile donatılmıştır. Sola eğimli kesim yaparken sabitleme vidasını gevşetin ve kayar bariyeri, taşıyıcı hareketini engellemeyecek şekilde hareket ettirin. Sabitleme vidasını sıkarak kayar bariyeri sabitleyin.

► **Şek.37:** 1. Kayar bariyer 2. Kılavuz bariyeri 3. Sabitleme vidası

## Dikey vida

**⚠UYARI:** Tüm işlemler sırasında iş parçası dönüş kaidesine ve kılavuz bariyerine mengene ile sıkıca sabitlenmelidir. İş parçası bariyere dayanacak şekilde düzgün sabitlenmezse malzeme kesim işlemi sırasında hareket ederek testere bıçağının zarar görmesine, malzemenin fırlatılmasına ve kontrol kaybına neden olmak suretiyle ciddi yaralanmalara yol açabilir.

Dikey mengene kaidenin sol tarafındaki deliklere, kaidenin sağ tarafına veya alt kaidenin sol tarafına monte edilebilir. İş parçasını kılavuz bariyere tam olarak bastırın ve kaideli döndürün. İş parçasını istenen kesim konumunda konumlandırın ve vidalı topuz ile sıkıştırarak sabitleyin. Tutamağı tam olarak aşağı indirdiğinizde aletin hiçbir parçasının dikey mengeneye temas etmediğinden emin olun. Bazı parçalar dikey mengeneye temas ederse dikey mengeneyi yeniden konumlandırın.

► **Şek.38:** 1. Delik 2. Mengene topuzu

## Alt kaide

**⚠UYARI:** Doğru bir kesim ve alet kontrolünün kaybedilmesi tehlikesini önlemek için uzun iş parçalarını daima dönüş kaidesinin üst yüzeyi ile aynı hizada olacak şekilde destekleyin. İş parçasının doğru şekilde desteklenmesi bıçağın sıkışmasının ve yaralanmayla sonuçlanabilecek olası geri tepmelerin önlenmesine yardımcı olur.

**⚠UYARI:** Kesme işleminden önce alt kaidelerin ayar vidalarıyla sabitlendiğinden daima emin olun.

Uzun iş parçalarını yatay olarak tutmak için aletin her iki tarafında alt kaideler sağlanmıştır. İş parçasını tutmak için ayar vidalarını gevşetin ve alt kaideleri uygun boyda uzatın. Ardından ayar vidalarını sıkın.

► **Şek.39:** 1. Alt kaide 2. Ayar vidası

Kesim yaparken iş parçasını kılavuz bariyerlerine düz dayanacak şekilde yerleştirin.

► **Şek.40:** 1. Kılavuz bariyeri 2. Alt kaide

## KULLANIM

Bu alet, ahşap ürünlerini kesmek için tasarlanmıştır. Uygun Makita orijinal testere bıçaklarıyla aşağıdaki malzemeler de kesilebilir:

— Alüminyum ürünleri

Kesilecek materyalde kullanılacak doğru dairesel testere bıçakları için web sitemize bakın veya Makita satıcınıza başvurun.

**⚠UYARI:** Düşme açılmadan önce testere bıçağının iş parçasına veya başka bir yere temas etmediğinden emin olun. Testere bıçağı iş parçasına temas ederken alet çalıştırılırsa geri tepme ya da ciddi yaralanmalar oluşabilir.

**⚠UYARI:** Bir kesme işleminden sonra testere bıçağı tam olarak durmadan bıçağı kaldırmayın. Boşta dönen testere bıçağının kaldırılması ciddi yaralanmalara ve iş parçasının zarar görmesine neden olabilir.

**⚠UYARI:** Testere bıçağı dönerken alet üzerindeki kavrama kolunun, topuzun veya kolların döndürülmesi gibi hiçbir ayar yapmayın. Testere bıçağı dönerken ayar yapılması ciddi yaralanmalara neden olabilir.

**⚠DİKKAT:** Testere kafasını tam aşağı konumdan kontrolsüz bırakmayın. Kontrolsüz testere kafası size vurabilir ve yaralanmaya neden olur.

**ÖNEMLİ NOT:** Kullanmadan önce mutlaka sabitleme pimini açın ve tutamağı alt konumdan serbest bırakın.

**ÖNEMLİ NOT:** Kesim sırasında tutamağa aşırı basınç uygulamayın. Fazla güç kullanılması motorun aşırı yüklenmesine ve/veya kesim etkinliğinin düşmesine neden olabilir. Yumuşak bir kesim ve bıçak hızında önemli bir düşüş yaşanmaması için tutamağa sadece gereken oranda bir güçle aşağı doğru bastırın.

**ÖNEMLİ NOT:** Kesimi gerçekleştirmek için tutamağa hafifçe bastırın. Tutamağa güç kullanılarak basılırsa veya yatay güç uygulanırsa, testere bıçağı titreşebilir ve iş parçasında bir iz (testere izi) bırakabilir, kesimin hassasiyeti zarar görebilir.

**ÖNEMLİ NOT:** Kızaklı kesme sırasında, taşıyıcıyı durdurmadan kılavuz bariyerine doğru hafifçe itin. Kesim sırasında taşıyıcı hareketi durdurulursa, iş parçasında bir iz kalır ve kesimin hassasiyeti zarar görür.

## Kalıp kesme

**UYARI:** Kalıp kesme yaparken taşıyıcının kızak hareketini mutlaka kilitleyin. Kilitlenmeden kesim yapmak ciddi yaralanmalarla sonuçlanabilecek geri tepmelere neden olabilir.

İş parçaları 65 mm yüksekliği ve 80 mm genişliği aşmıyorsa, aşağıdaki yöntemle kesilebilirler.

1. Taşıyıcıyı kılavuz bariyerine doğru, durana kadar itin ve ayar vidası ile kilitleyin.
  2. İş parçasını uygun tipteki vidayla sabitleyin.
  3. Daire testere bıçağı hiçbir şeyle temas etmeyecek konumdayken aleti çalıştırın ve indirmeden önce daire testere bıçağının tam hıza ulaşmasını bekleyin.
  4. İş parçasını kesmek için bıçağı yavaşça en alt konuma indirin.
  5. Kesim tamamlandığında, aleti kapatın ve daire testere bıçağını en üst konumuna döndürmeden önce daire testere bıçağı tam olarak durana kadar bekleyin.
- Şek.41: 1. Ayar vidası

## Kızaklı (itmeli) kesme (geniş iş parçalarını kesme)

**UYARI:** Kızaklı kesme yaparken, önce taşıyıcıyı tamamen kendinize doğru çekin ve kola bastırın, ardından taşıyıcıyı kılavuz bariyeri boyunca itin. Taşıyıcı tamamen size doğru çekilmeden kesimi asla başlatmayın. Taşıyıcıyı tamamen kendinize doğru çekmeden kızaklı kesme yaparsanız beklenmeyen bir geri tepme meydana gelebilir ve ciddi kişisel yaralanmalar yaşanabilir.

**UYARI:** Kızaklı bir kesim yaparken taşıyıcıyı kendinize doğru çekmeye asla çalışmayın. Kesim sırasında taşıyıcıyı kendinize doğru çekmek beklenmeyen bir geri tepmeye ve ciddi kişisel yaralanmalara yol açabilir.

**UYARI:** Tutamak alt konumda kilitle iken asla kızaklı kesim yapmayın.

1. Ayar vidasını gevşeterek taşıyıcının serbestçe kaymasına izin verin.
  2. İş parçasını uygun tipteki vidayla sabitleyin.
  3. Taşıyıcıyı tamamen kendinize doğru çekin.
  4. Daire testere bıçağı hiçbir şeyle temas etmeyecek konumdayken aleti çalıştırın ve testere bıçağının tam hıza ulaşmasını bekleyin.
  5. Tutamağa bastırın ve taşıyıcıyı kılavuz bariyeri boyunca ve iş parçasına doğru itin.
  6. Kesim tamamlandığında, aleti kapatın ve testere bıçağını en üst konuma döndürmeden önce testere bıçağı tam olarak durana kadar bekleyin.
- Şek.42: 1. Ayar vidası

## Gönye kesme

Gönye açısının ayarlanması kısmına bakın.

## Eğimli kesim

**UYARI:** Testere bıçağını eğimli bir kesim için ayarladıktan sonra, aleti kullanmadan önce, taşıyıcının ve testere bıçağının kesilmek istenen alan boyunca serbest bir şekilde hareket ettiğinden emin olun. Kesme işlemi sırasında taşıyıcı ya da bıçak hareketinin kesintiye uğraması geri tepmeye ve ciddi yaralanmalara neden olabilir.

**UYARI:** Eğimli bir kesim yaparken ellerinizi testere bıçağının izlediği yoldan uzakta tutun. Testere bıçağının açısı operatörün, bıçağın kesim işlemi sırasında izleyeceği yol konusunda yanılmasına yol açabilir ve testere bıçağıyla temas ciddi yaralanmalara neden olur.

**UYARI:** Testere bıçağı tamamen durmadan yukarı kaldırılmamalıdır. Eğimli kesim sırasında kesilen parça testere bıçağının önüne gelebilir. Testere bıçağı dönerken yukarı kaldırılırsa kesilen parça testere bıçağı tarafından fırlatılabilir ve malzemenin parçalanarak ciddi yaralanmalara yol açmasına neden olabilir.

**ÖNEMLİ NOT:** Tutamağı aşağı bastırırken testere bıçağına paralel basınç uygulayın. Dönüş kaidesine dik basınç uygulanırsa ya da kesim sırasında basıncın yönü değiştirilirse, kesimin hassasiyeti zarar görür.

1. Taşıyıcının temas etmesini önlemek için kayar bariyeri sola ayarlayın.
  2. Sabitleme pimini açık kol üzerindeki ayar vidasını gevşeterek taşıyıcının serbestçe yükseltilmesini ve kaydırılmasını sağlayın.
  3. Eğim açısını, eğim açısının ayarlanması kısmında anlatılan prosedüre göre ayarlayın. Ardından kavrama kolunu sıkın.
  4. İş parçasını bir mengene ile sabitleyin.
  5. Taşıyıcıyı tamamen kendinize doğru çekin.
  6. Daire testere bıçağı hiçbir şeyle temas etmeyecek konumdayken aleti çalıştırın ve daire testere bıçağının tam hıza ulaşmasını bekleyin.
  7. Daire testere bıçağına paralel basınç uygulayarak tutamağı hafifçe en alt konuma indirin ve iş parçasını kesmek için taşıyıcıyı kılavuz bariyerine doğru itin.
  8. Kesim tamamlandığında, aleti kapatın ve testere bıçağını en üst konuma döndürmeden önce daire testere bıçağı tam olarak durana kadar bekleyin.
- Şek.43

## Birleşik kesme

Birleşik kesme, bir iş parçası üzerinde gönye açısı ile kesme yapılırken aynı anda eğimli açılı yapılması işlemidir. Birleşik kesme, tabloda gösterilen açılarda gerçekleştirilebilir.

Gönye açısı	Eğim açısı
Sol ve Sağ 0° - 45°	Sol 0° - 45°

Birleşik kesme yaparken, kalıp kesme, kızaklı (itmeli) kesme, gönye kesme ve eğimli kesim kısmına başvurun.

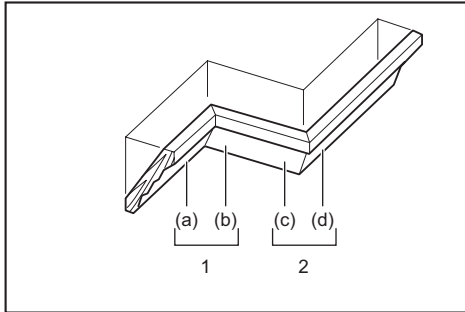
## Kartonpiyer ve iç bükey kartonpiyer kesme

Kartonpiyer ve iç bükey kartonpiyerler birleşik bir gönye kesme makinasında dönüş kaidesinin üzerine düz yatırılarak kesilebilir.

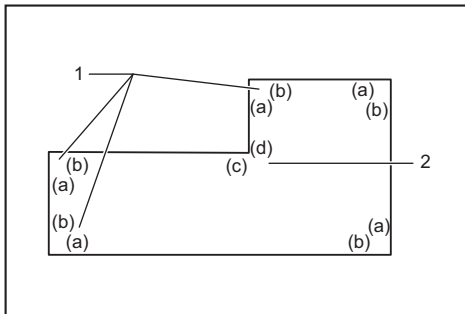
Yaygın olarak kullanılan iki tip kartonpiyer, bir tip de içbükey kartonpiyer uygulaması vardır. Bunlar; 52/38° duvar açılı kartonpiyer, 45° duvar açılı kartonpiyer ve 45° duvar açılı içbükey kartonpiyer.

► **Şek.44:** 1. 52/38° kartonpiyer 2. 45° kartonpiyer 3. 45° içbükey kartonpiyer

"İç" 90° köşelere uyan (şekilde (a) ve (b)) ve "Dış" 90° köşelere uyan (şekilde (c) ve (d)) kartonpiyer ve içbükey kartonpiyer bağlantıları bulunur.



1. İç köşe 2. Dış köşe



1. İç köşe 2. Dış köşe

## Ölçüm

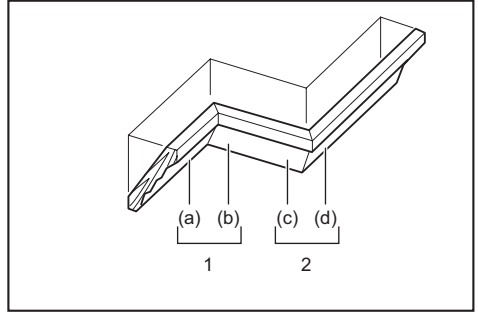
Duvar genişliğini ölçün ve iş parçasını genişliğe göre ayarlayın. İş parçasının duvara temas eden kenarının genişliğinin duvarın uzunluğu ile aynı olduğundan emin olun.

► **Şek.45:** 1. İş parçası 2. Duvar genişliği 3. İş parçasının genişliği 4. Duvara temas eden kenar

Testere açısını kontrol etmek için deneme kesimleri yapmak üzere mutlaka birkaç parça kullanın.

Dış bükey ve iç bükey kartonpiyer kesimleri sırasında, eğim açısını ve gönye açısını tablo (A)'da gösterildiği gibi ayarlayın ve kartonpiyerleri tablo (B)'de gösterildiği gibi testere kaidesinin üst yüzeyine konumlandırın.

## Sola eğimli kesimlerde



1. İç köşe 2. Dış köşe

Tablo (A)

-	Şekildeki kartonpiyer konumu	Eğim açısı		Gönye açısı	
		52/38° tipi	45° tipi	52/38° tipi	45° tipi
İç köşe için	(a)	Sol 33,9°	Sol 30°	Sağ 31,6°	Sağ 35,3°
	(b)			Sol 31,6°	Sol 35,3°
Dış köşe için	(c)			Sağ 31,6°	Sağ 35,3°
	(d)				

Tablo (B)

-	Şekildeki kartonpiyer konumu	Kılavuz bariyerinin karşısındaki kartonpiyer kenarı	Tamamlanmış parça
İç köşe için	(a)	Tavana temas edecek kenar kılavuz bariyerine dayanmalıdır.	Bitirilen parça daire testere bıçağının Sol tarafında yer alacaktır.
	(b)	Tavana temas edecek kenar kılavuz bariyerine dayanmalıdır.	Bitirilen parça daire testere bıçağının Sağ tarafında yer alacaktır.
Dış köşe için	(c)	Tavana temas edecek kenar kılavuz bariyerine dayanmalıdır.	Bitirilen parça daire testere bıçağının Sağ tarafında yer alacaktır.
	(d)	Tavana temas edecek kenar kılavuz bariyerine dayanmalıdır.	Bitirilen parça daire testere bıçağının Sol tarafında yer alacaktır.

Örneğin:

Yukarıdaki şekilde (a) ile gösterilen konum için 52/38° dış büyük kartonpiyer keserken:

- Eğim açısı ayarını 33,9° SOLA eğin ve ayarlayın.
- Gönye açısı ayarını 31,6° SAĞA ayarlayıp sabitleyin.
- Dış büyük kartonpiyeri geniş arka (görünmeyen) yüzeyi dönüş kaidesinin üzerine, TAVANA TEMAS EDECEK KENARI makine üzerindeki kılavuz bariyerine dayanacak şekilde yerleştirin.
- Kesim yapıldıktan sonra kullanılacak bitmiş parça her zaman daire testere bıçağının SOL tarafında olacaktır.

## Alüminyum doğramanın kesilmesi

Alüminyum doğramaları sabitlerken, alüminyumun deforme olmasını önlemek için ara blokları veya hurda parçalarını kullanın. Daire testere bıçağı üzerinde alüminyum malzeme birikmesini önlemek için alüminyum doğramayı keserken bir kesim yağı kullanın.

**UYARI:** Kalın veya yuvarlak alüminyum doğramaları asla kesmeye çalışmayın. Kalın veya yuvarlak alüminyum doğramaların sabitlenmesi zor olabilir ve kesme işlemi sırasında gevşeyerek kontrolün kaybedilmesine ve ciddi yaralanmalara sebep olabilir.

- **Şek.46:** 1. Mengene 2. Ara blok 3. Kılavuz bariyeri 4. Alüminyum doğrama 5. Ara blok

## Aynı uzunlukta yinelenen kesimler yapma

225 mm ile 350 mm arasında değişen aynı uzunlukta çok sayıda parça keserken, ayar plakasını şekilde gösterildiği gibi yukarı çekin.

İş parçasını kesim için yerine sabitleyin. Ayar plakası iş parçasının ucuna sıfır olacak şekilde sağ alt kaideyi kaydırın. Ardından ayar vidası ile alt kaideyi sabitleyin.

- **Şek.47:** 1. Ayar plakası 2. Ayar vidası

## Oluk açma

**UYARI:** Bu tip kesimleri, daha geniş bıçaklar ya da dado bıçaklar kullanarak gerçekleştirmeye çalışmayın. Daha geniş bir bıçakla ya da dado bıçakla oluk açmaya çalışmak beklenmeyen kesim sonuçlarına ve ciddi kişisel yaralanmalara yol açabilecek geri tepmelere neden olabilir.

**UYARI:** Oluk açma dışındaki işlemler sırasında durdurucu kolu orijinal konumuna döndürdüğünüzden emin olun. Durdurucu kol yanlış konumdayken kesim yapmaya çalışmak beklenmeyen kesim sonuçlarına ve ciddi kişisel yaralanmalara yol açabilecek geri tepmelere neden olabilir.

Dado kesim yapmak için aşağıdaki prosedürü izleyin:

1. Ayar vidasını kullanarak daire testere bıçağının alt limit konumunu ve daire testere bıçağının kesim derinliğini kısıtlamak için durdurucu kolu ayarlayın. Durdurucu kol kısmına bakın.
2. Daire testere bıçağının alt limit konumunu ayarladıktan sonra, kızaklı (itmeli) kesim kullanarak iş parçasının eni boyunca paralel oluklar açın.  
► **Şek.48:** 1. Testere bıçağı ile oluk kesme
3. Oluklar arasındaki iş parçası malzemelerini bir keski ile kaldırın.

## Aletin taşınması

Alet taşımadan önce aletin fişinin çekildiğinden ve aletin tüm hareketli parçalarının sabitlendiğinden emin olun. Mutlaka aşağıdakileri kontrol edin:

- Aletin fişi prizden çekilmiş.
- Taşıyıcı 0° eğim açısı konumunda ve sabitlenmiş.
- Taşıyıcı indirilmiş ve kilitlemiş.
- Taşıyıcı size doğru sonuna kadar kaydırılmış ve kilitlemiş.
- Dönüş kaidesi tam sağ gönye açısı konumunda ve sabitlenmiş.

Aleti, taşıma kolunu ve alet kaidesinin bir tarafını tutarak ya da alet kaidesinin her iki tarafını tutarak taşıyın.

- **Şek.49**

- **Şek.50**

**UYARI:** Taşıyıcı yüksekliği için olan sabitleme pimi sadece taşıma, saklama ve ayarlama amacıyla kullanılmalı, hiçbir kesim işlemi sırasında kullanılmamalıdır. Kesim işlemleri sırasında sabitleme piminin kullanılması daire testere bıçağının beklenmedik şekilde hareket etmesine, bu da geri tepme ya da ciddi yaralanmalara yol açabilir.

**DİKKAT:** Alet taşımadan önce hareket eden tüm parçaları sabitleyin. Aletin parçaları taşıma sırasında hareket eder ya da kayarsa, kontrolün ya da dengenin kaybedilmesi sonucu ciddi yaralanmalar yaşanabilir.

**DİKKAT:** Taşıyıcı yüksekliğinin sabitleme pimi ile alt noktasında düzgün bir şekilde kilitlendiğinden emin olun. Sabitleme pimi düzgün geçirilmezse taşıyıcı aniden yukarı fırlayarak yaralanmaya neden olabilir.

## BAKIM

**UYARI:** Alet üzerinde kontrol veya bakım işlemlerine başlamadan önce mutlaka aletin kapalı ve fişinin çekili olduğundan emin olun. Aletin fişinin prizden çekilmemesi ve kapatılmaması aletin kazara çalışarak ciddi yaralanmalara neden olabilir.

**UYARI:** En iyi ve en güvenli performans için testere bıçağının daima temiz ve keskin olduğundan emin olun. Kör ve/veya kirli bir testere bıçağıyla kesim yapmaya çalışmak, geri tepmeye yol açabilir ya da ciddi yaralanmalarla sonuçlanabilir.

**ÖNEMLİ NOT:** Benzin, tiner, alkol ve benzeri maddeleri kesinlikle kullanmayın. Renk değişimi, deformasyon veya çatlaklar oluşabilir.

Aleti EMNİYETLİ ve ÇALIŞMAYA HAZIR durumda tutmak için onarımlar, başka her türlü bakım ve ayarlamalar daima Makita yedek parçaları kullanılarak Makita yetkili servis merkezleri veya Fabrikanın Servis Merkezleri tarafından yapılmalıdır.

## Kesim açısının ayarlanması

Bu alet fabrikada dikkatli bir şekilde ayarlanmış ve hizalanmıştır fakat kötü bir şekilde taşımak hizalamayı bozabilir. Aletinüz doğru bir şekilde hizalanmamışsa aşağıdakileri gerçekleştiretin:

### Gönye açısı

1. Taşıyıcıyı indirilmiş konumda sabitleme pimi ile kilitleyin. Taşıyıcıyı kılavuz bariyeri boyunca itin ve taşıyıcıyı sabitlemek için ayar vidasını sıkın.
2. Dönüş kadesini, pozitif durma fonksiyonunu kullanılarak 0° konumuna ayarlayın. (İşaretçi 0°'yi göstermiyorsa olduğu gibi bırakın.)
3. Altıgen anahtar kullanarak kılavuz bariyeri sabitleyen altıgen soket civatalarını gevşetin.  
► **Şek.51:** 1. Sabitleme pimi 2. Ayar vidası 3. Altıgen soket civatalar
4. Üçgen cetvel veya ayarlı gönye kullanarak testere bıçağının yan yüzeyini kılavuz bariyerin yüzeyine dik duruma getirin. Ardından kılavuz bariyerinin üzerindeki altıgen soket civataları sağ taraftan başlayarak sırayla iyice sıkın.  
► **Şek.52:** 1. Kılavuz bariyeri 2. Üçgen cetvel
5. İşaretçi 0°'yi göstermiyorsa, işaretçiyi sabitleyen vidayı gevşetin ve işaretçi 0°'yi gösterecek şekilde işaretçiyi ayarlayın.  
► **Şek.53:** 1. Vida 2. İşaretçi 3. Gönye açısı ölçeği

### Eğim açısı

#### 0° eğim açısı

1. Taşıyıcıyı indirilmiş konumda sabitleme pimi ile kilitleyin. Taşıyıcıyı kılavuz bariyeri boyunca itin ve taşıyıcıyı sabitlemek için ayar vidasını sıkın.
2. Kolu gevşetin. Ardından 0° ayar civatasını saatin aksi yönünde iki veya üç tur çevirerek daire testere bıçağını sağa yatırın.  
► **Şek.54:** 1. Kol 2. 0° ayar civatası
3. Üçgen cetvel, ayarlı gönye, vb. kullanarak, 0° ayar civatasını saat yönünde çevirmek suretiyle dönüş kadesinin üst yüzeyini testere bıçağının yan yüzeyi ile dikkatli bir şekilde dik duruma getirin. Ardından, ayarladığımız 0° açısını sabitlemek için kolu iyice sıkın.  
► **Şek.55:** 1. Üçgen cetvel 2. Testere bıçağı 3. Dönüş kadesinin üst yüzeyi
4. İşaretçi 0°'yi göstermiyorsa, işaretçiyi sabitleyen vidayı gevşetin ve 0°'yi gösterecek şekilde işaretçiyi ayarlayın.  
► **Şek.56:** 1. Vida 2. İşaretçi 3. Eğim ölçeği

#### 45° eğim açısı

**ÖNEMLİ NOT:** 45° eğim açısını ayarlamadan önce 0° eğim açısı ayarını tamamlayın.

1. Ayar vidasını sıkarak taşıyıcıyı sabitleyin.
2. Kolu gevşetin. Ardından taşıyıcıyı sola sonuna kadar yatırın.  
► **Şek.57:** 1. Ayar vidası 2. Kol
3. İşaretçinin eğim açısı ölçeğinde 45° konumunu gösterip göstermediğini kontrol edin. İşaretçi 45° konumunu göstermiyorsa, 45° ayar civatasını çevirerek 45° konumuyla hizalayın.  
► **Şek.58:** 1. 45° ayar civatası

## Karbon fırçaların değişmesi

Karbon fırçaları düzenli olarak sökerek kontrol edin. Limit işaretine kadar aşındıklarında değiştirin. Karbon fırçaların temiz ve tutucuları içinde serbestçe kayar durumda kalmalarını sağlayın. Her iki karbon fırça aynı anda değiştirilmelidir. Sadece aynı karbon fırçaları kullanın.

► **Şek.59:** 1. Limit işareti

Fırça tutucu kapaklarını çıkarmak için bir tornavida kullanın. Aşınmış karbon fırçalarını dışarı çıkarın, yerlerine yenilerini geçirin ve fırça tutucu kapaklarını sıkıca takın.

► **Şek.60:** 1. Fırça tutucu kapağı

## Kullanımdan sonra

Kullanımdan sonra, parçacıkları ve alete yapışan tozları nemli bir bez veya benzeri ile temizleyin. "Bıçak siperi" bölümünde anlatılan talimatlar uyarınca bıçak siperini temiz tutun. Paslanmayı önlemek için kızaklı bölümleri makine yağı ile yağlayın.

## İSTEĞE BAĞLI AKSESUARLAR

**UYARI:** Bu el kitabında belirtilen Makita aletiniz ile kullanılmaları için bu aksesuarlar ve ek parçalar tavsiye edilmektedir. Başka aksesuar ve ek parçaların kullanımı ciddi yaralanmalara yol açabilir.

**UYARI:** Makita aksesuarları ya da ek parçaları yalnızca belirtilmiş olan kullanım amaçlarına uygun olarak kullanın. Bir aksesuarın ya da ek parçanın hatalı kullanımı ciddi yaralanmalara yol açabilir.

Bu aksesuarlarla ilgili daha fazla bilgiye ihtiyaç duyar-sanız bulunduğunuz yerdeki yetkili Makita servisine başvurun.

- Çelik ve Karbid uçlu testere bıçağı
- Dikey vida
- Toz torbası
- Üçgen cetvel
- Altıgen anahtar
- Stant seti

**NOT:** Listedeki parçaların bazıları alet paketi içerisinde standart aksesuar olarak dahil edilmiş olabilir. Bunlar ülkeden ülkeye farklılık gösterebilir.

# Makita Europe N.V.

Jan-Baptist Vinkstraat 2, 3070 Kortenberg, Belgium

# Makita Corporation

3-11-8, Sumiyoshi-cho, Anjo, Aichi 446-8502 Japan

[www.makita.com](http://www.makita.com)



LS0816F-EU9-2305  
EN, FR, DE, IT, NL,  
ES, PT, EL, TR  
20230615