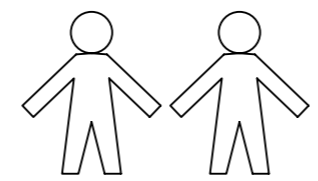
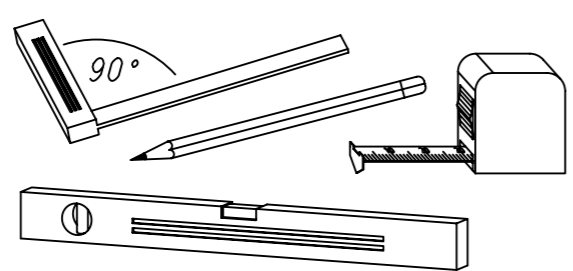
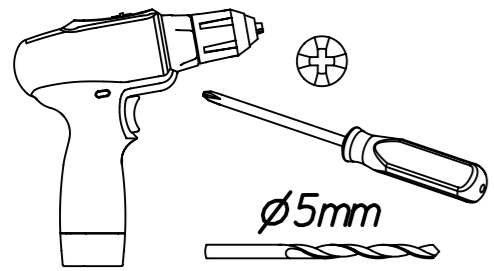


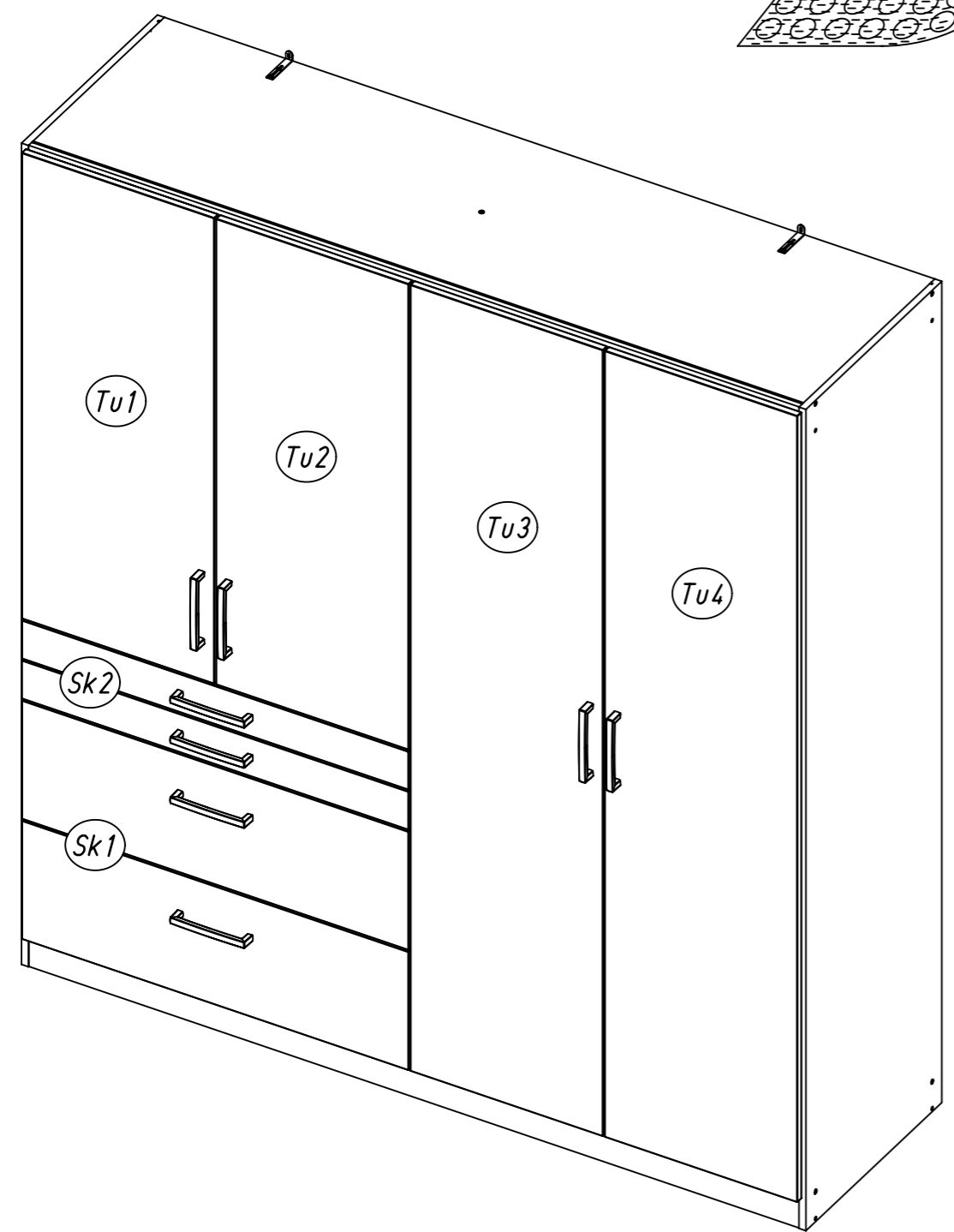
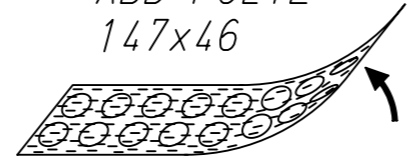
1.

M1945_02

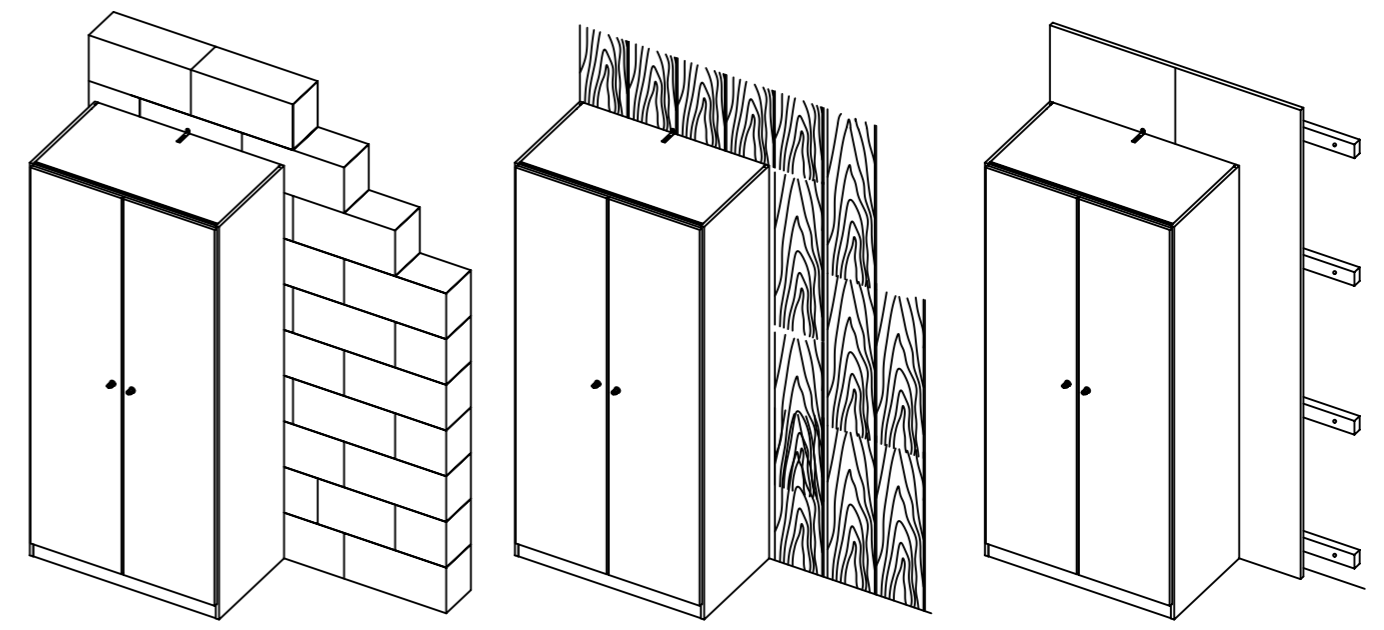
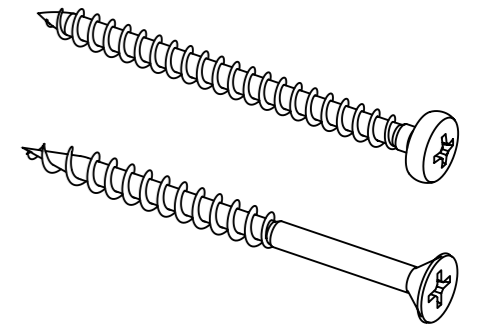
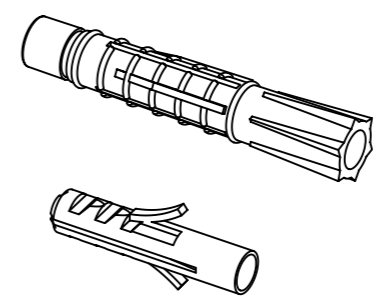
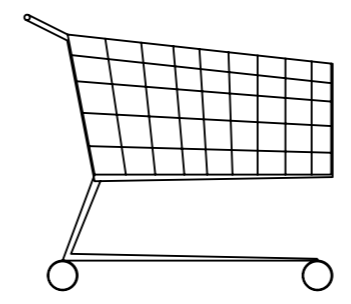
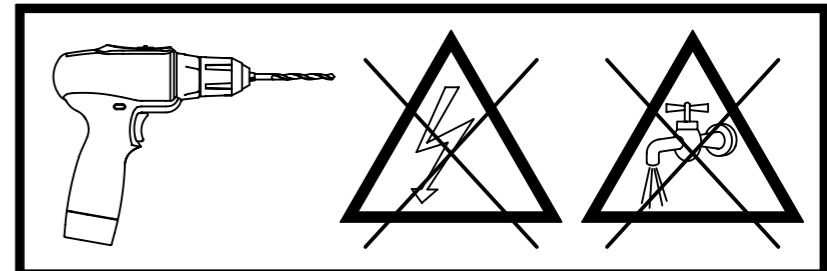
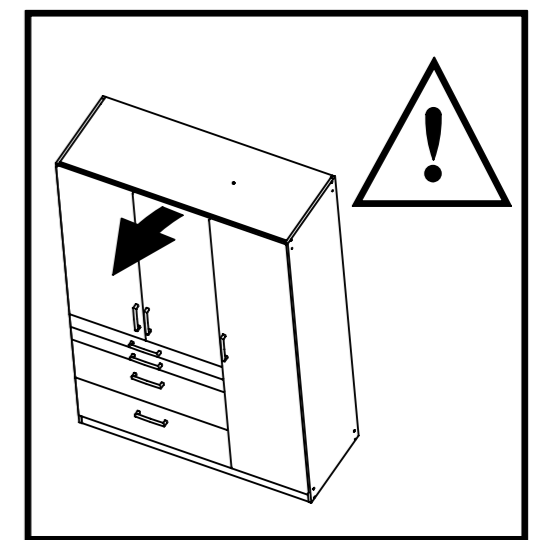
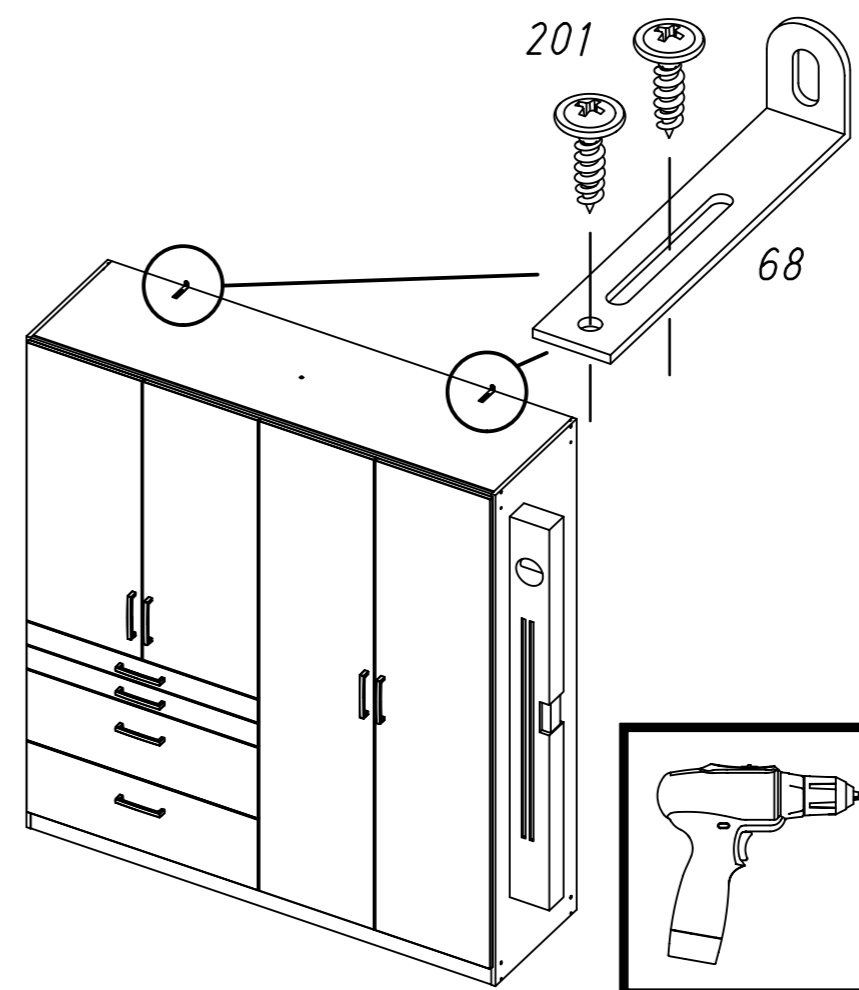
rauch



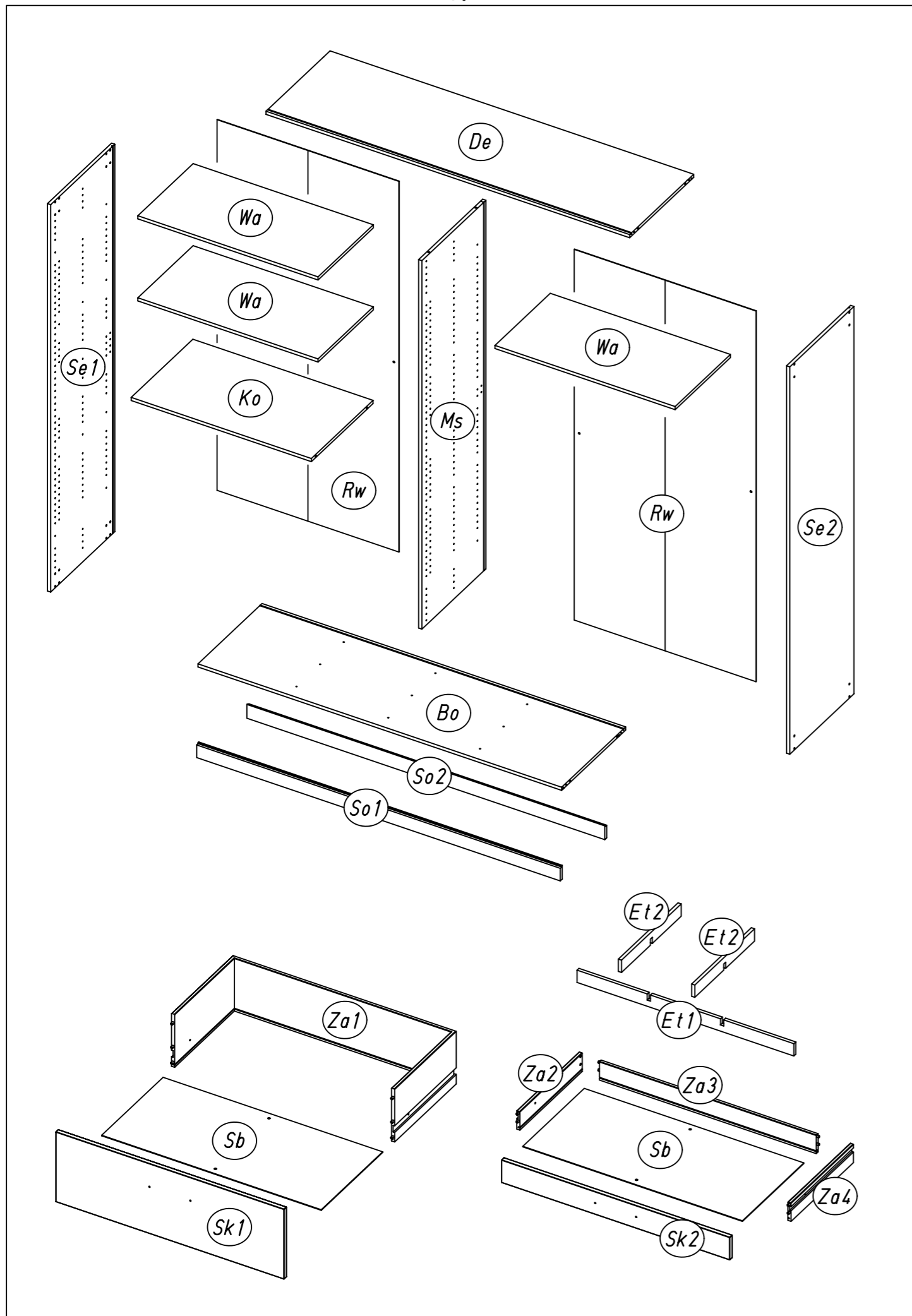
ABD-FOLIE
147x46



2.

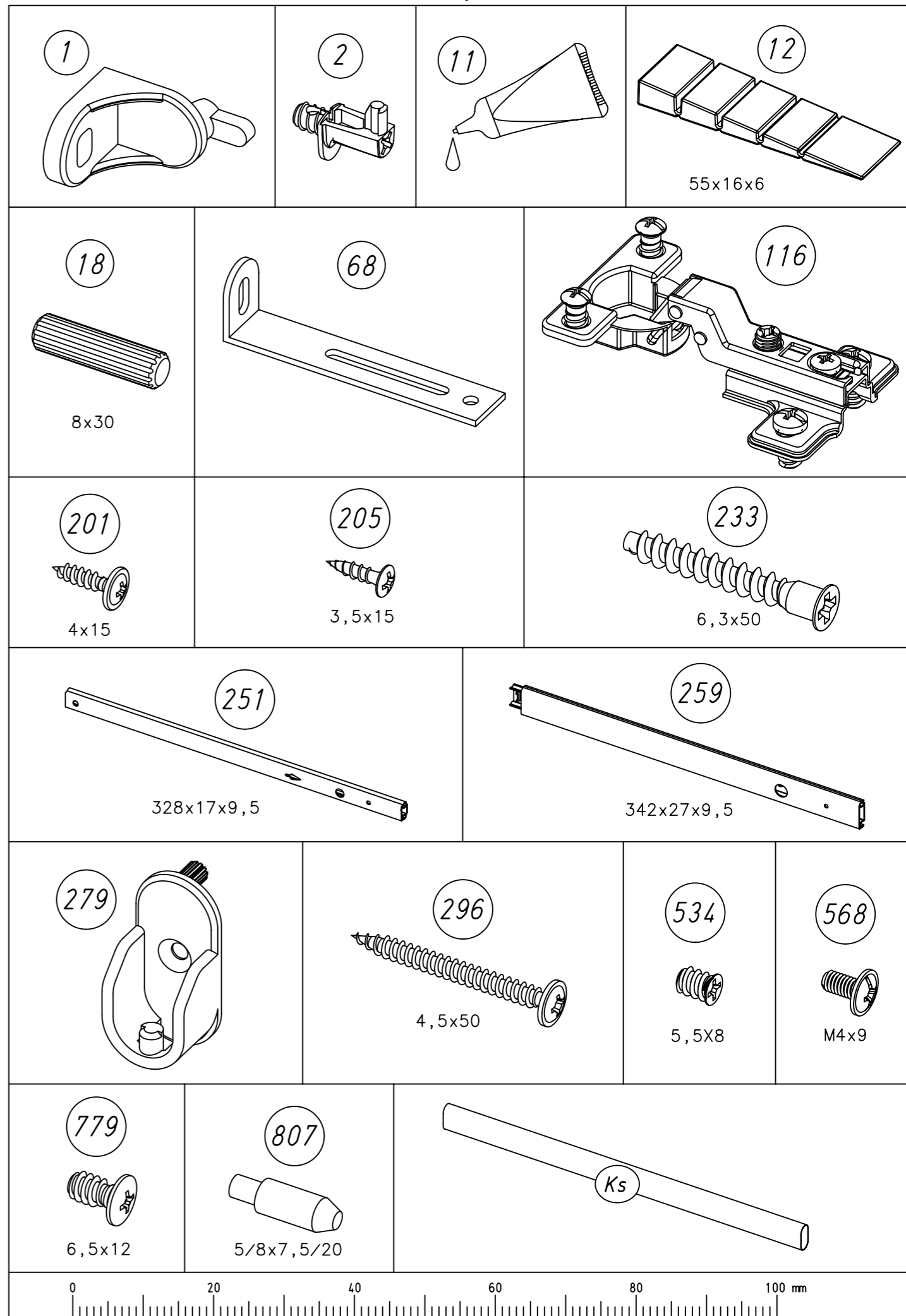


3.

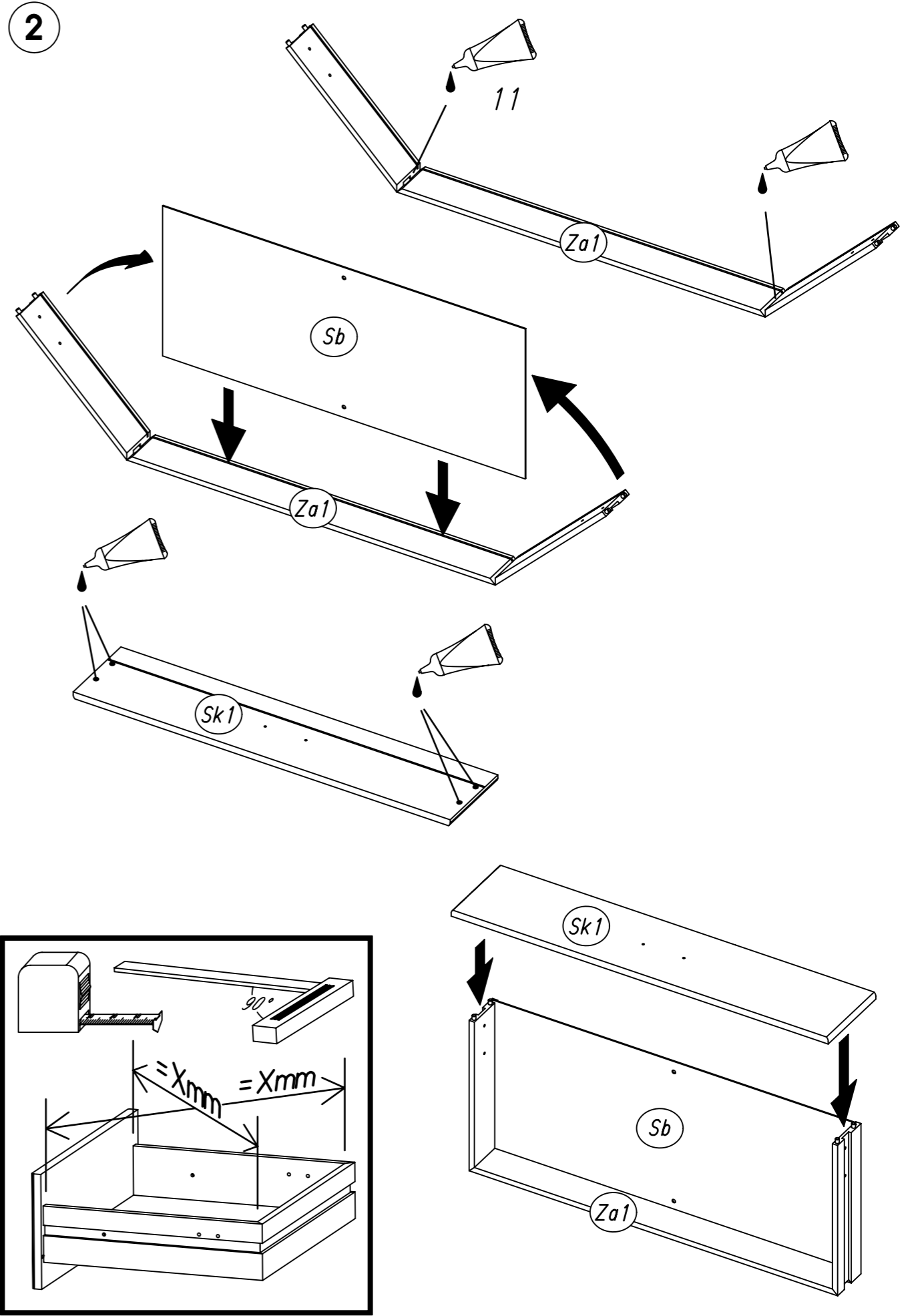
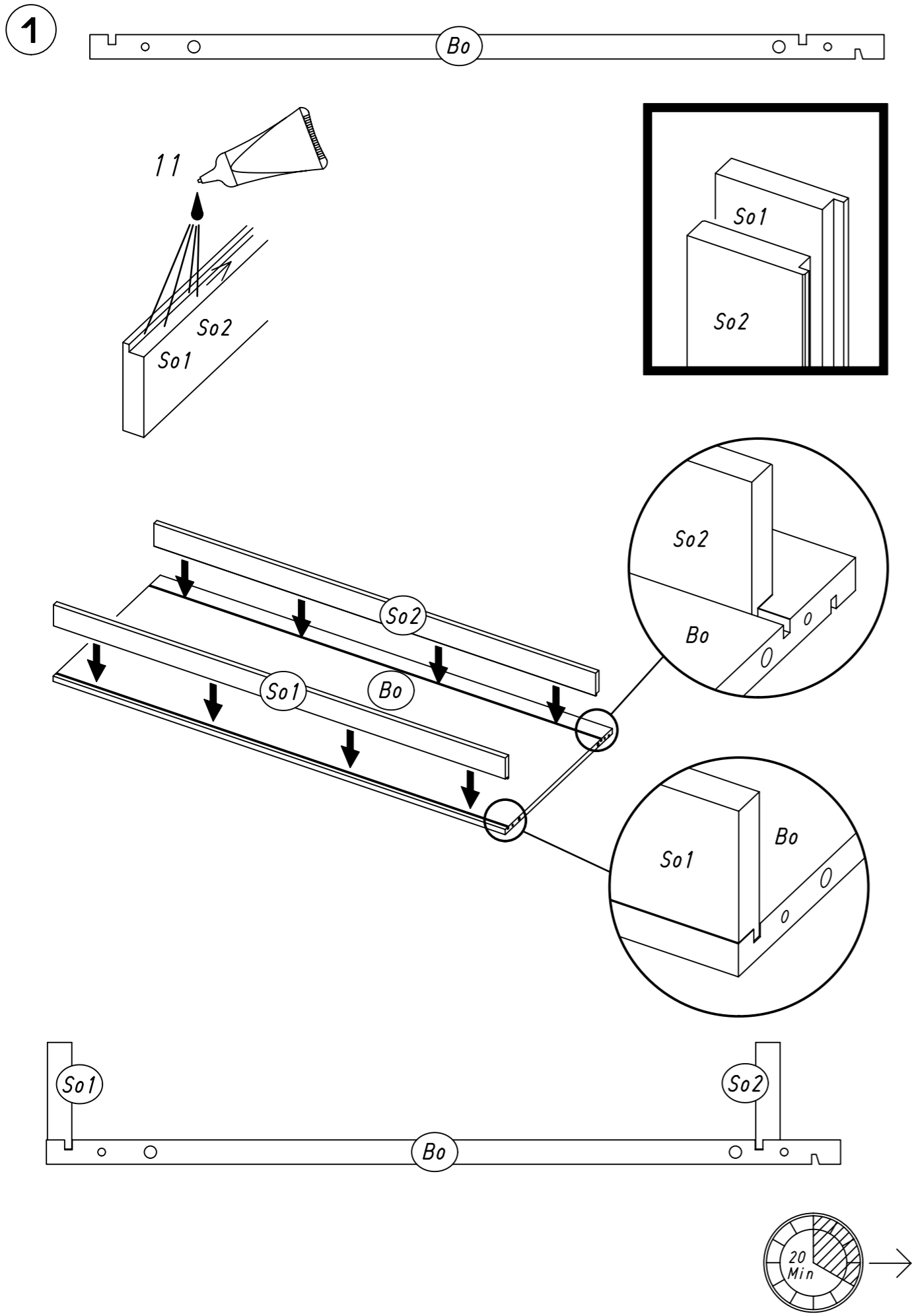


M1945

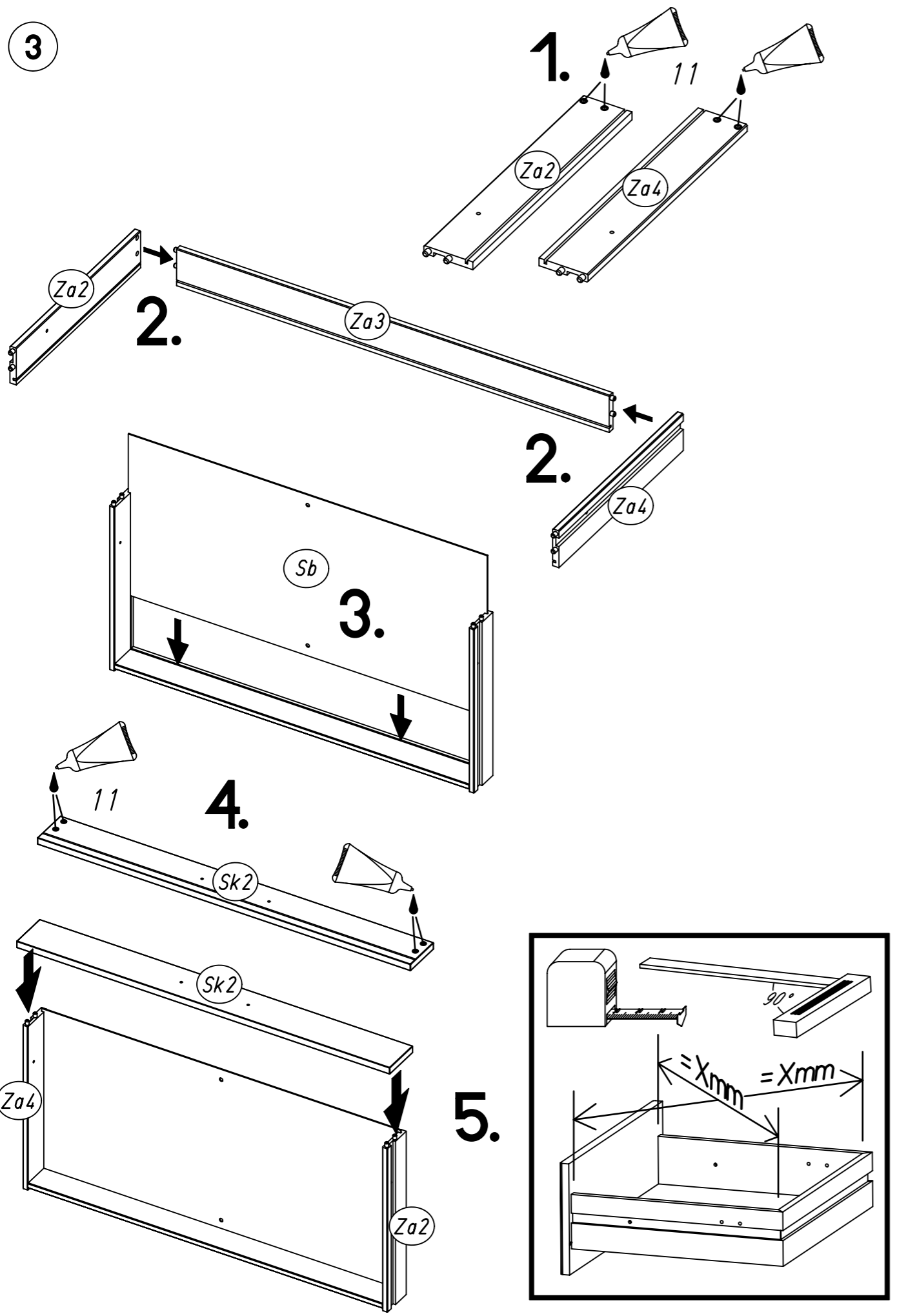
4.



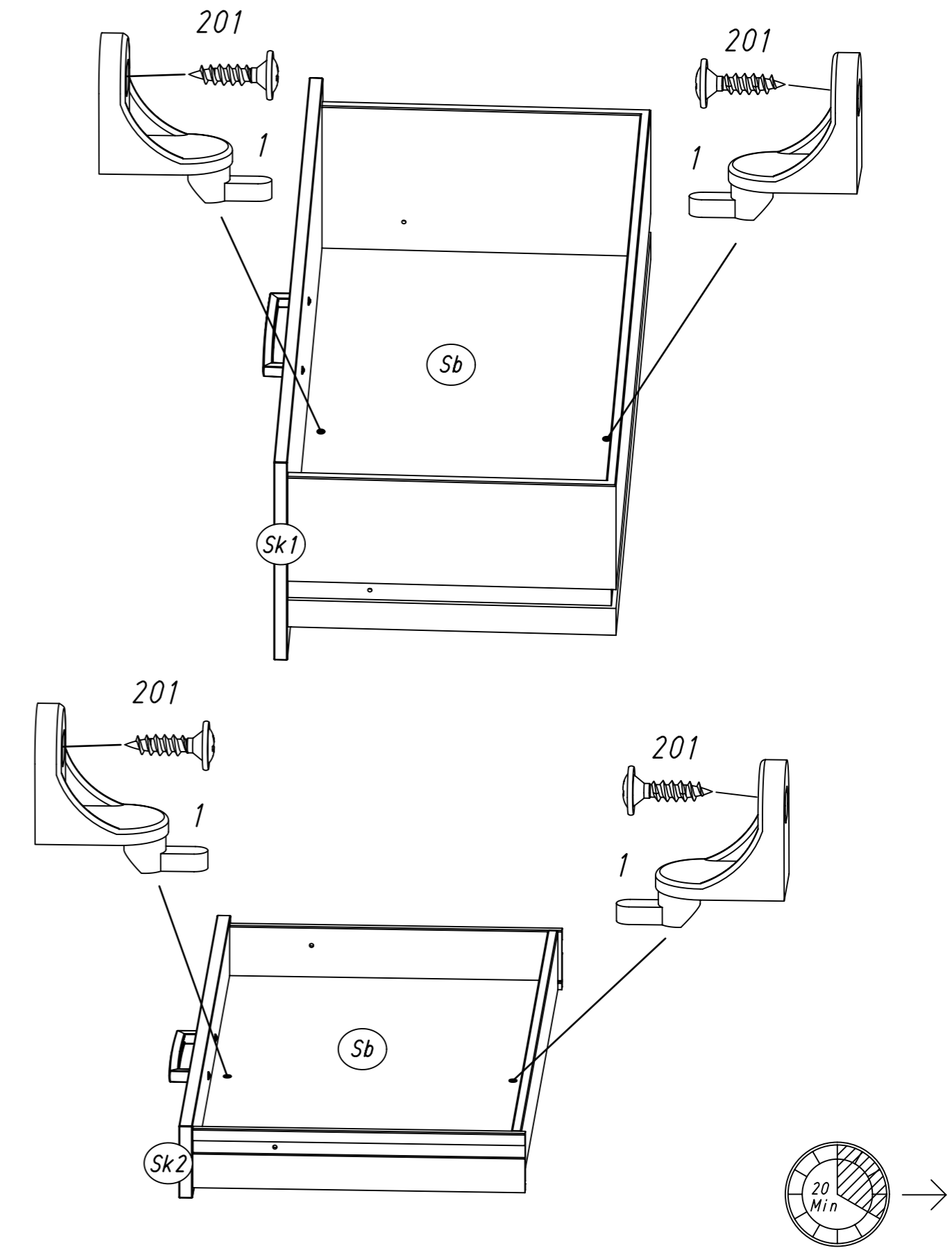
M1945



3

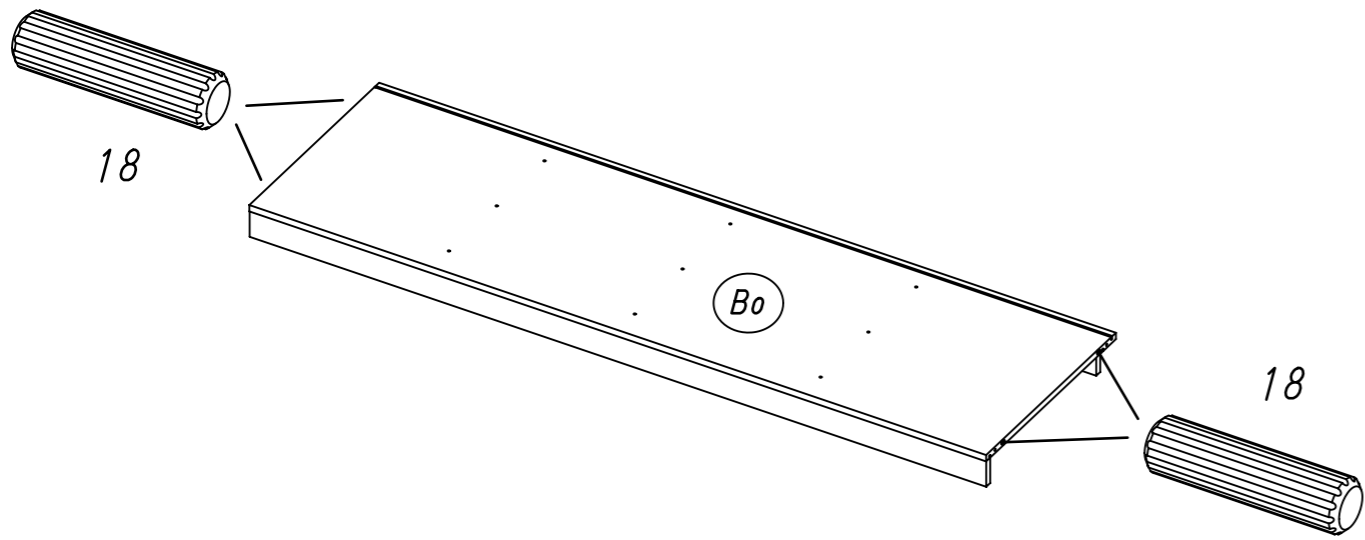


4 1 201



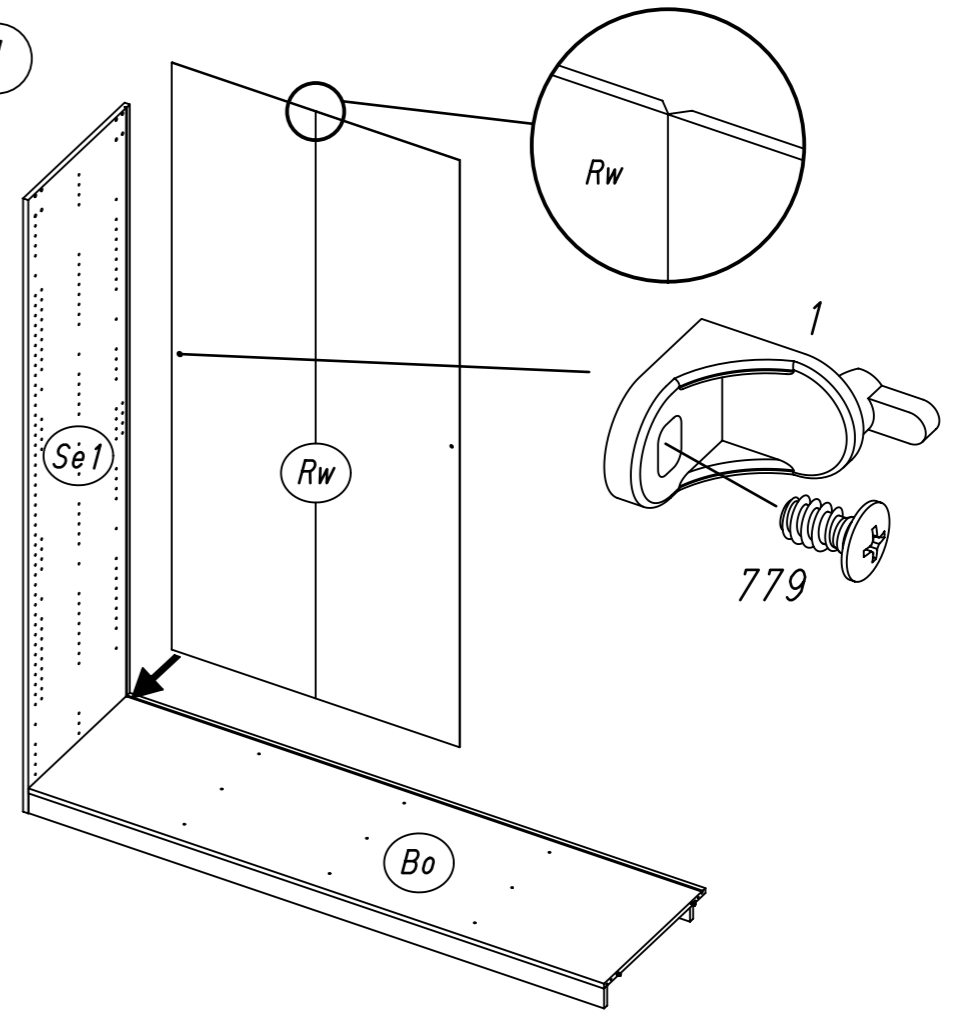
9.

5 18

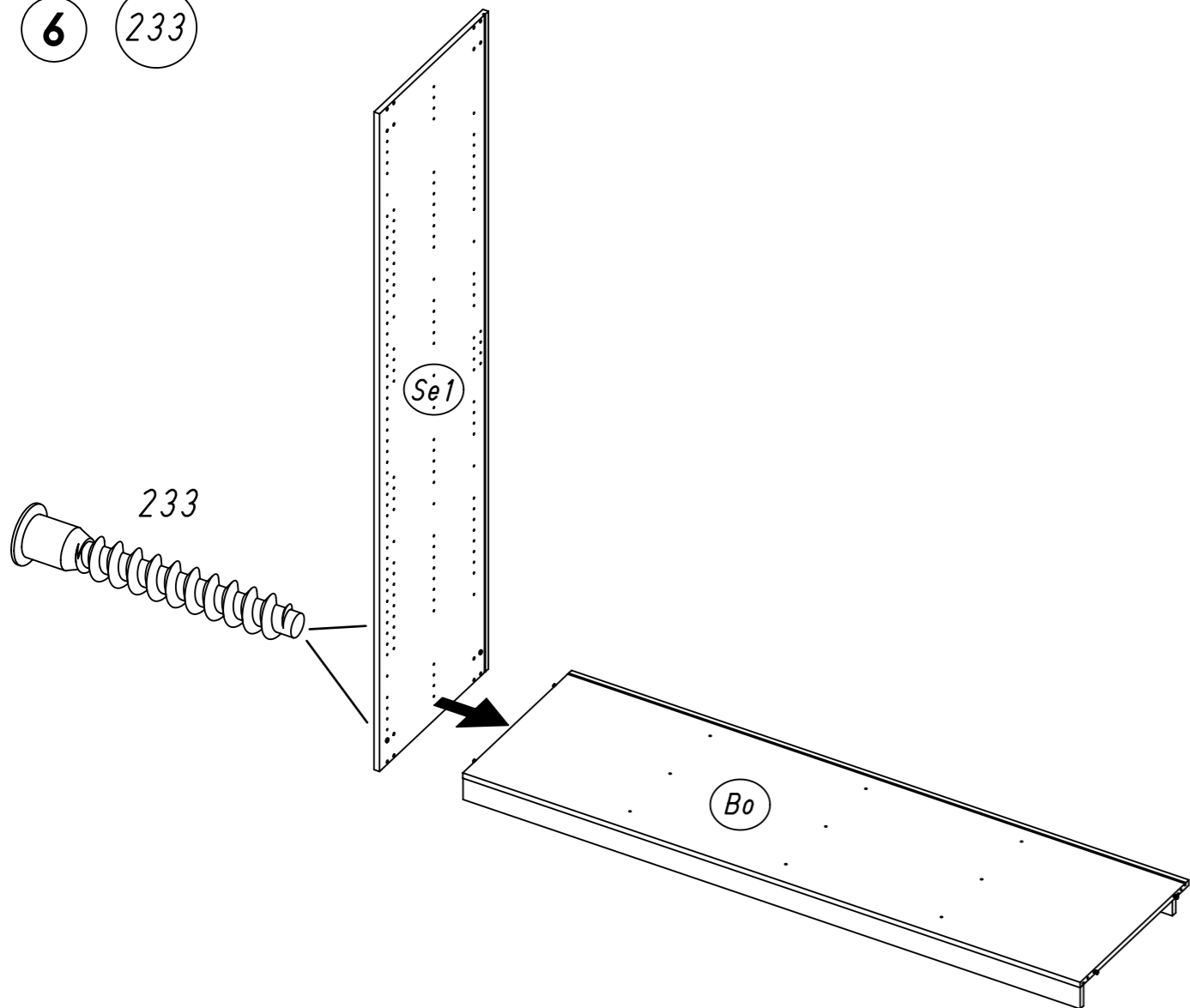


10.

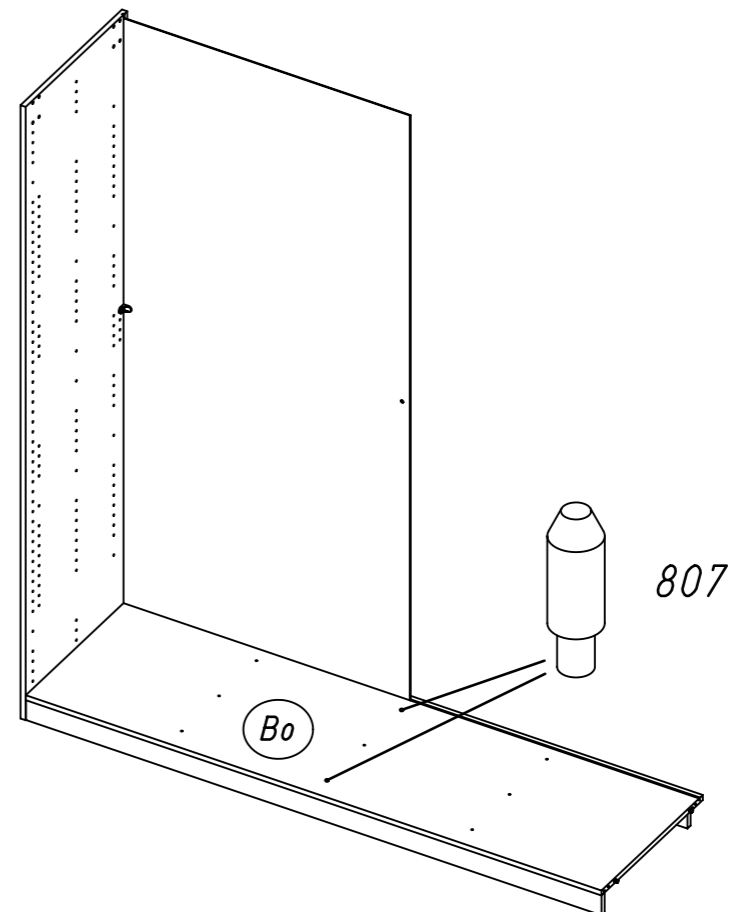
7 779 1



6 233

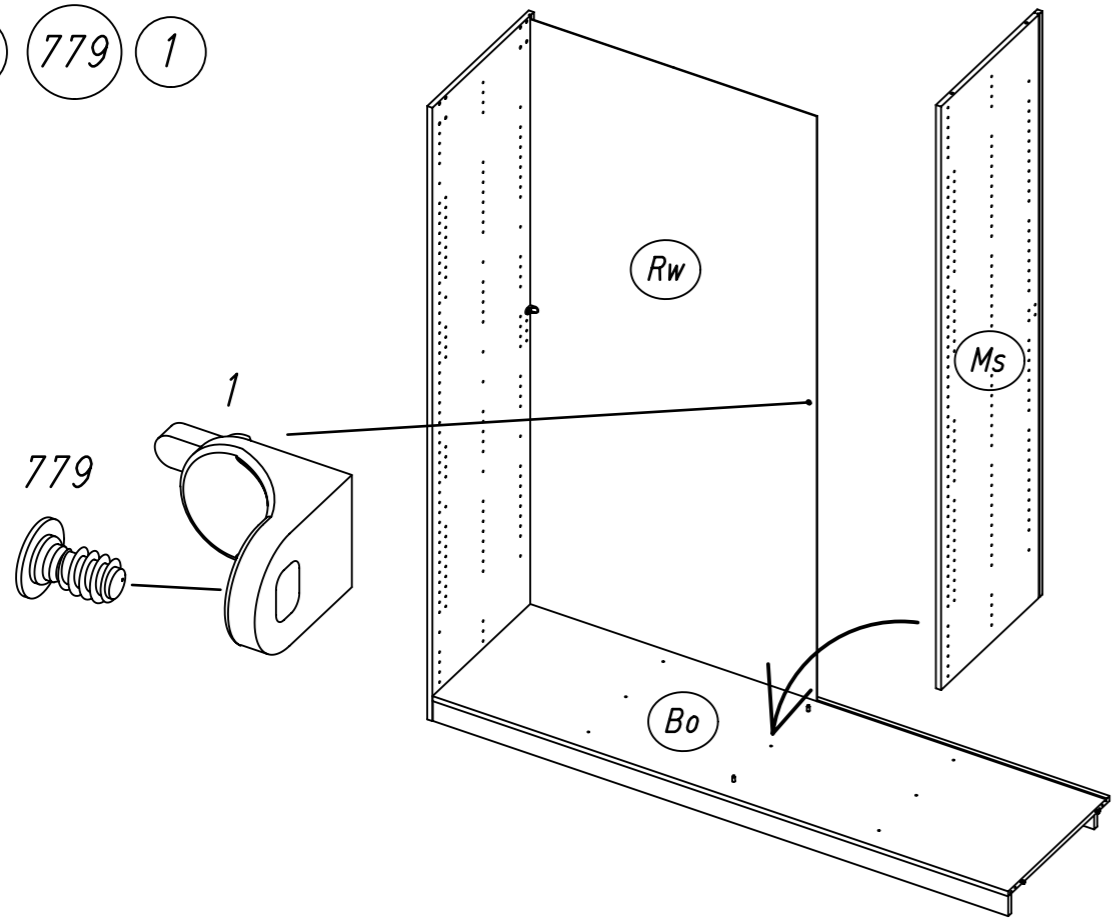


8 807



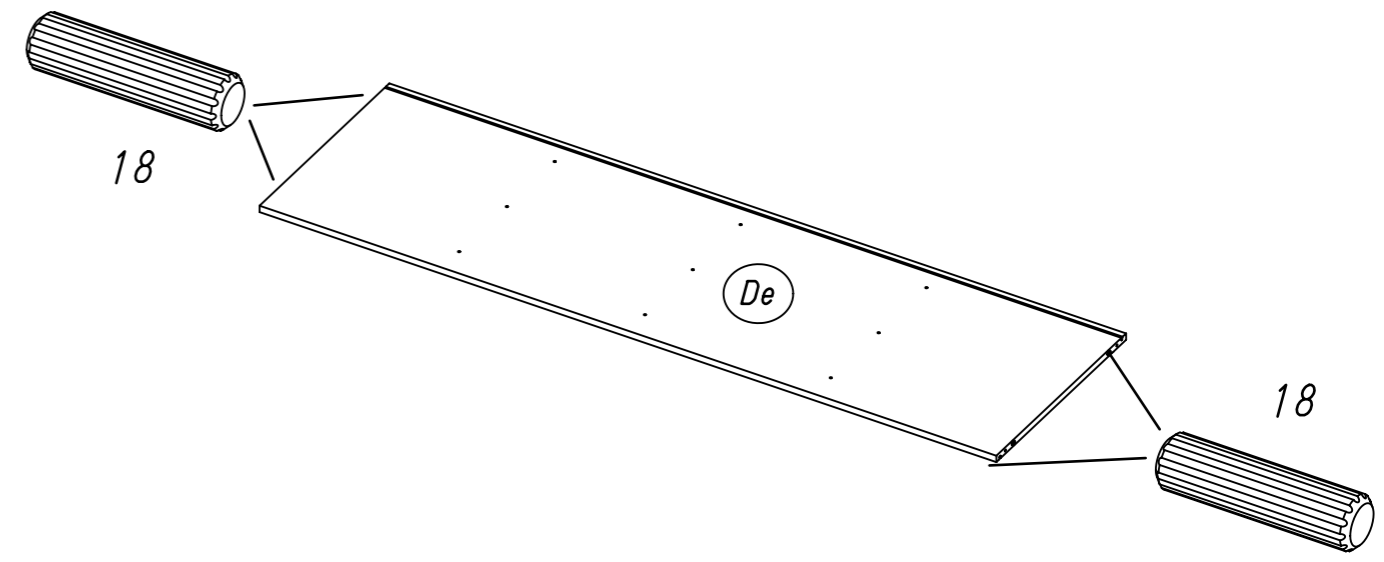
11.

9 779 1

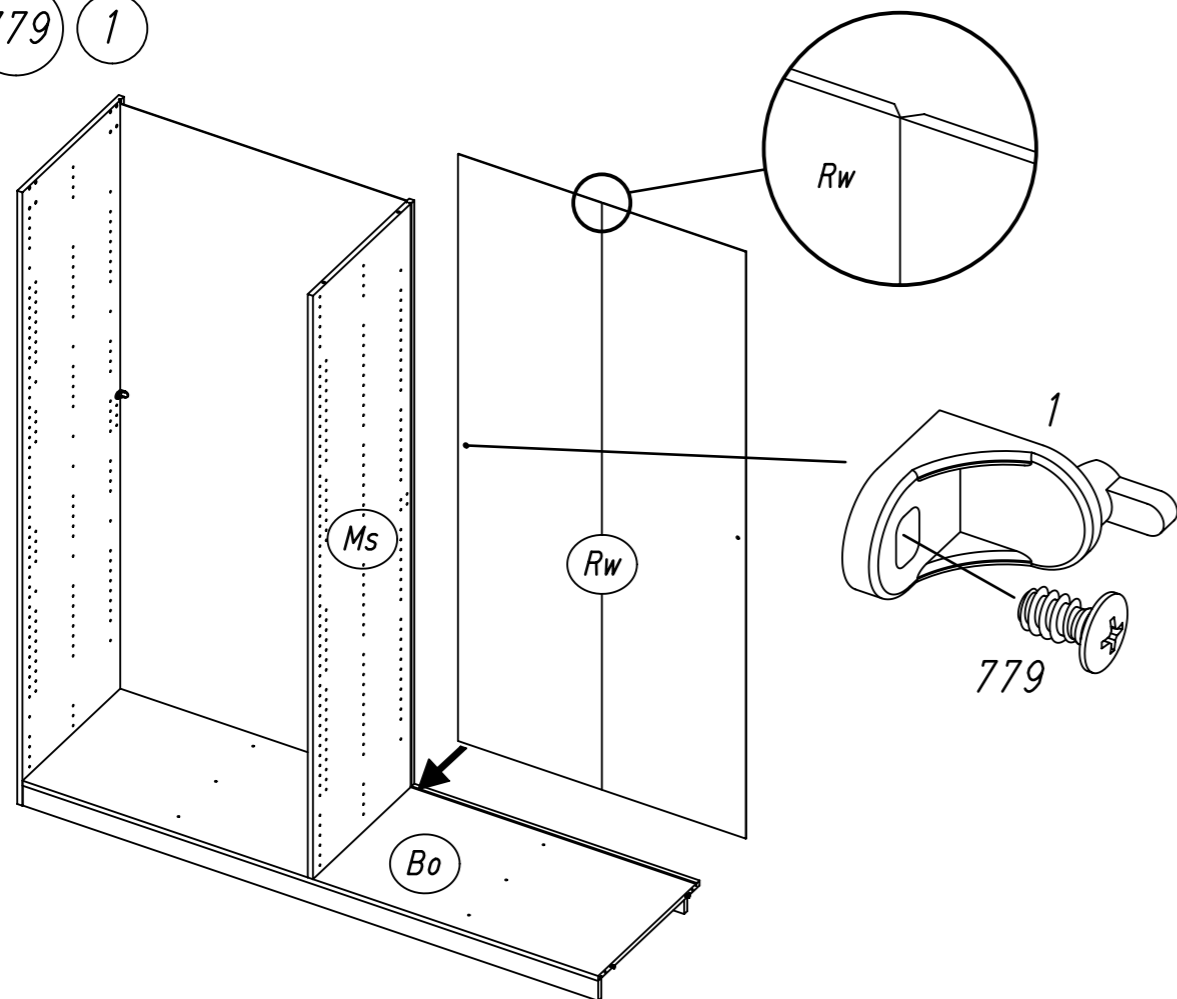


12.

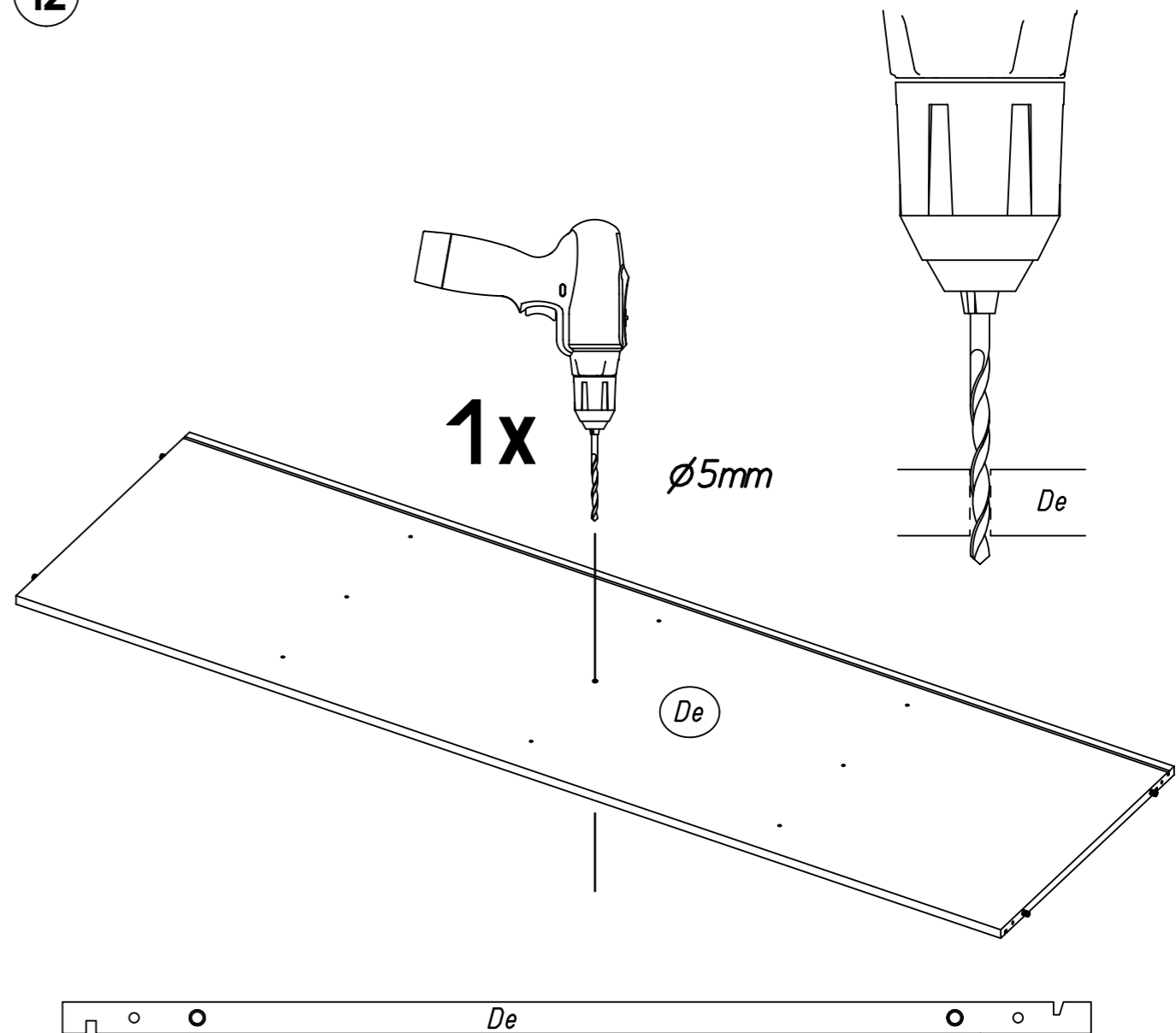
11 18



10 779 1

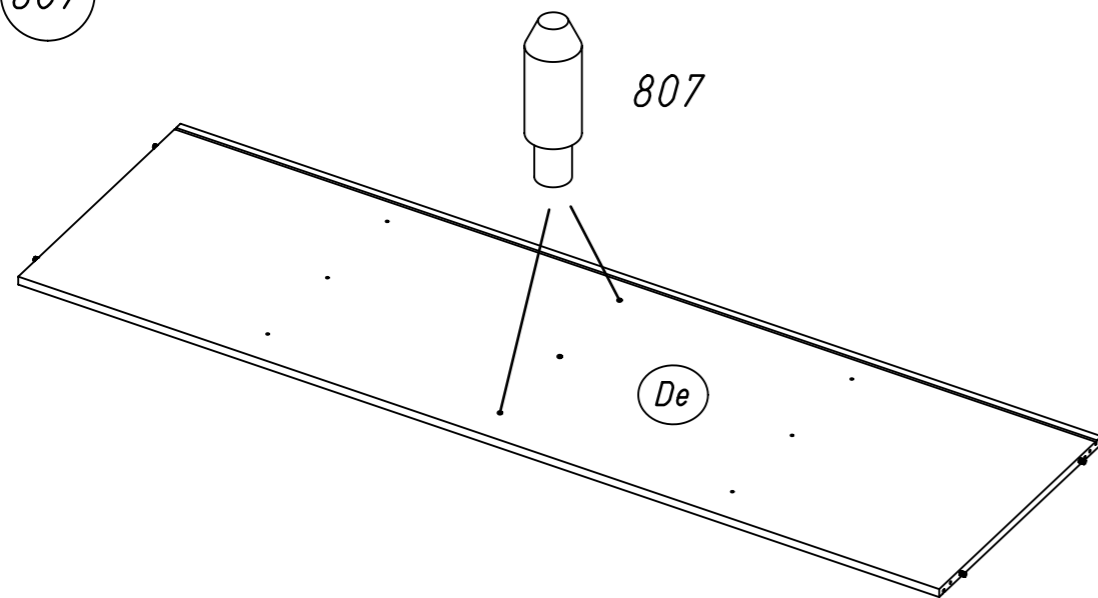


12



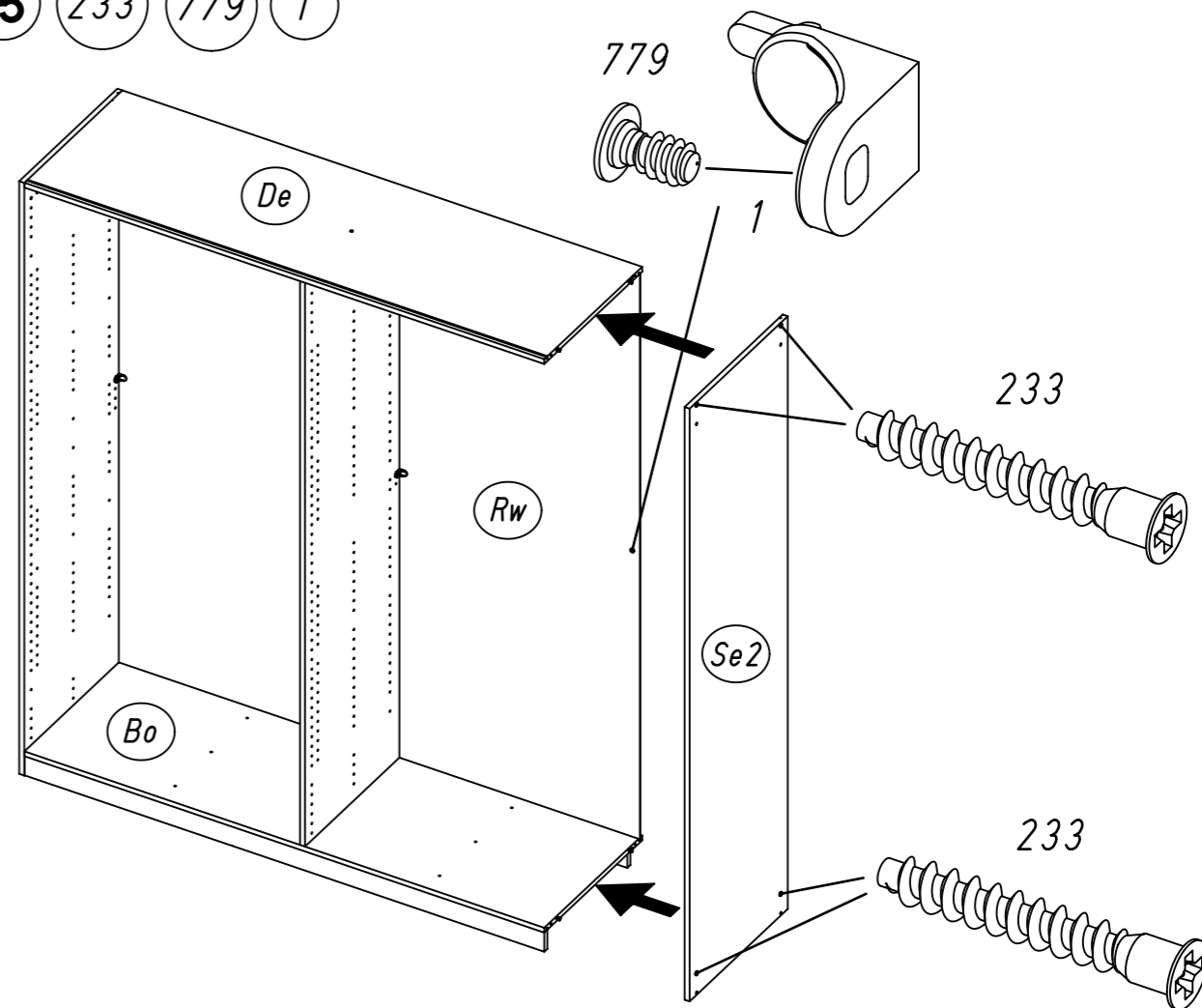
13.

13 807

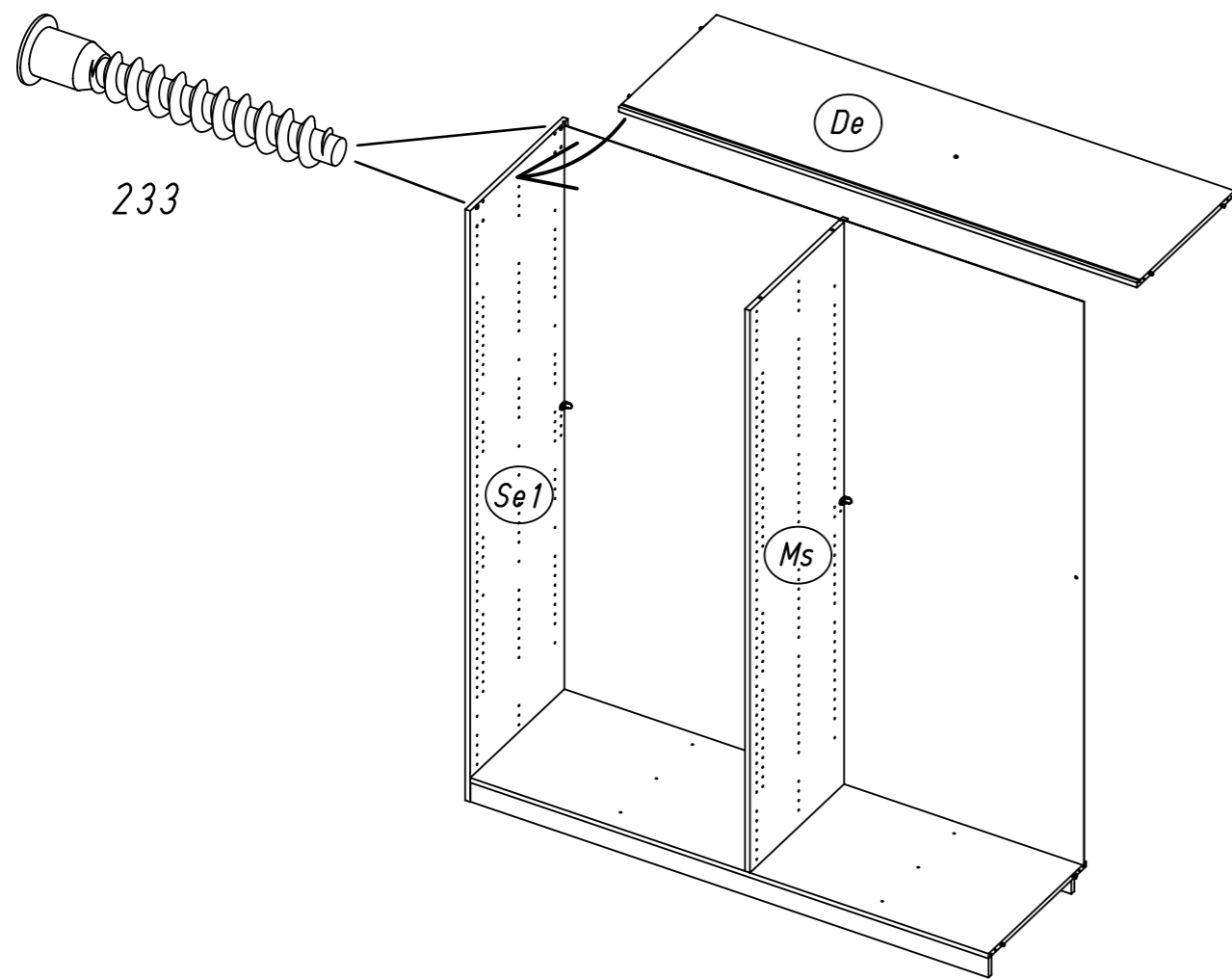


14.

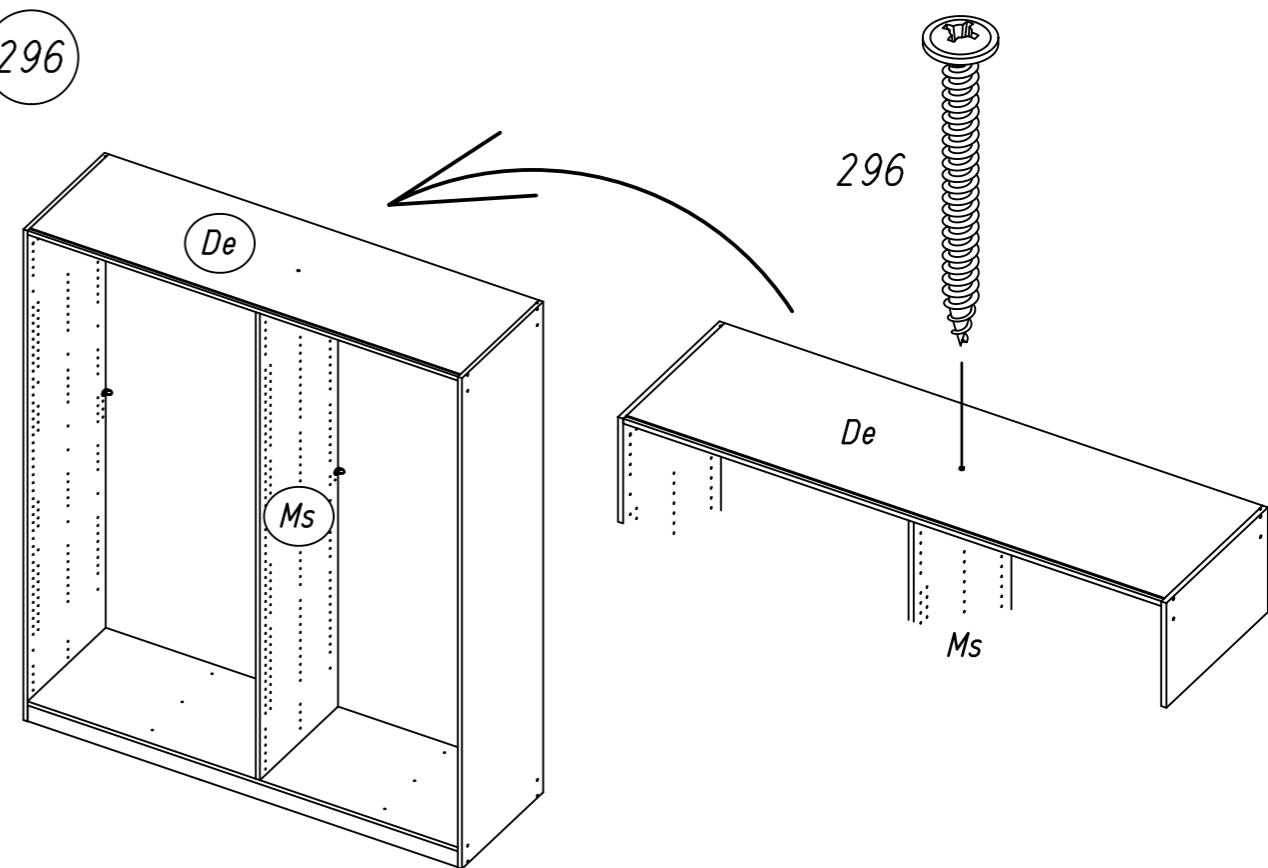
15 233 779 1



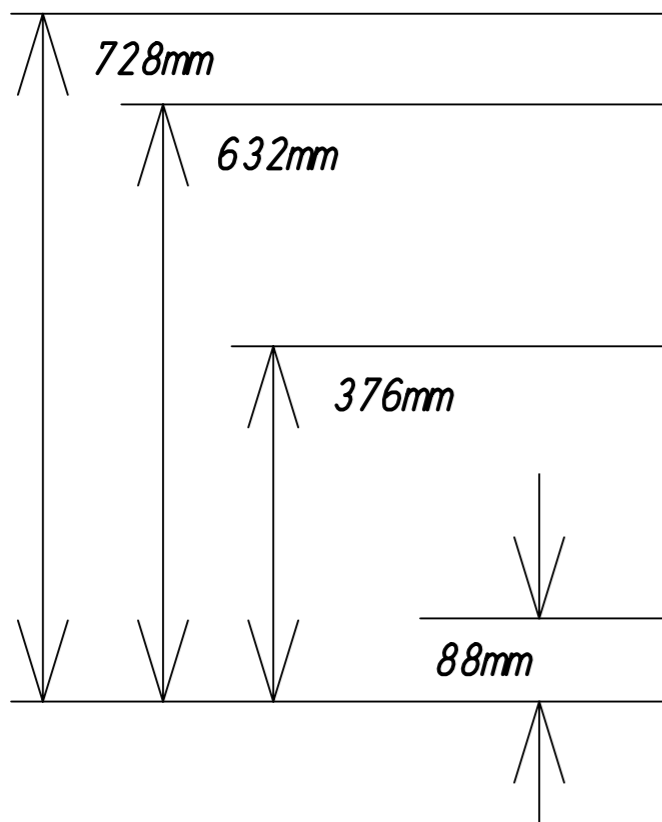
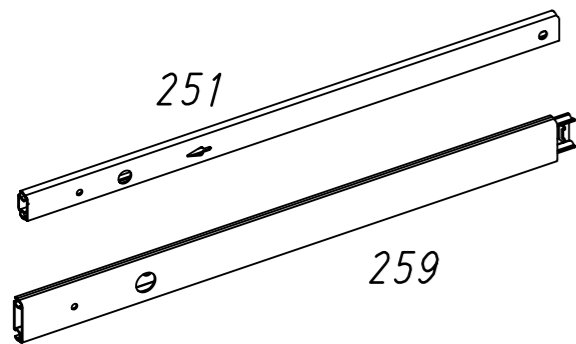
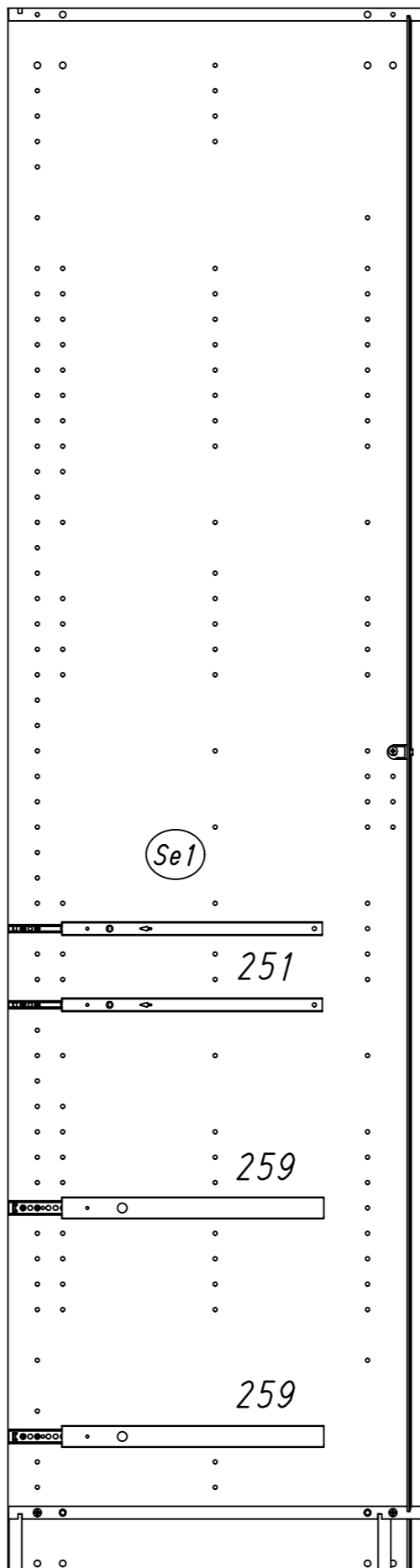
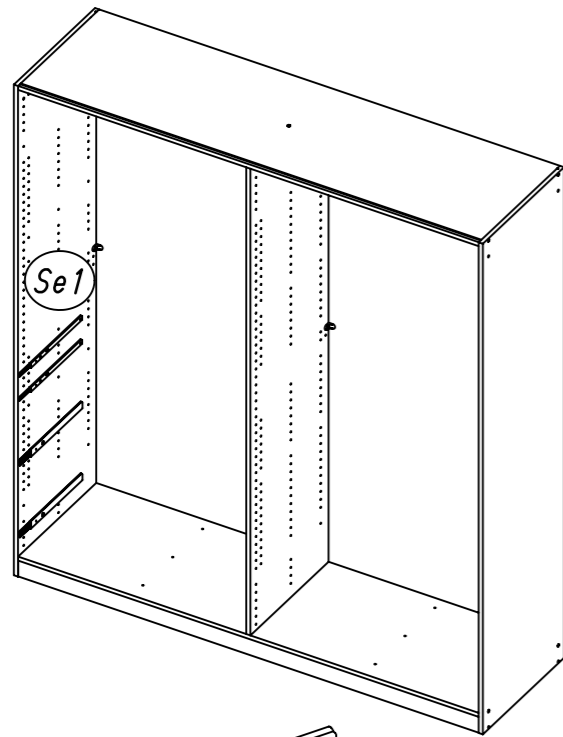
14 233



16 296

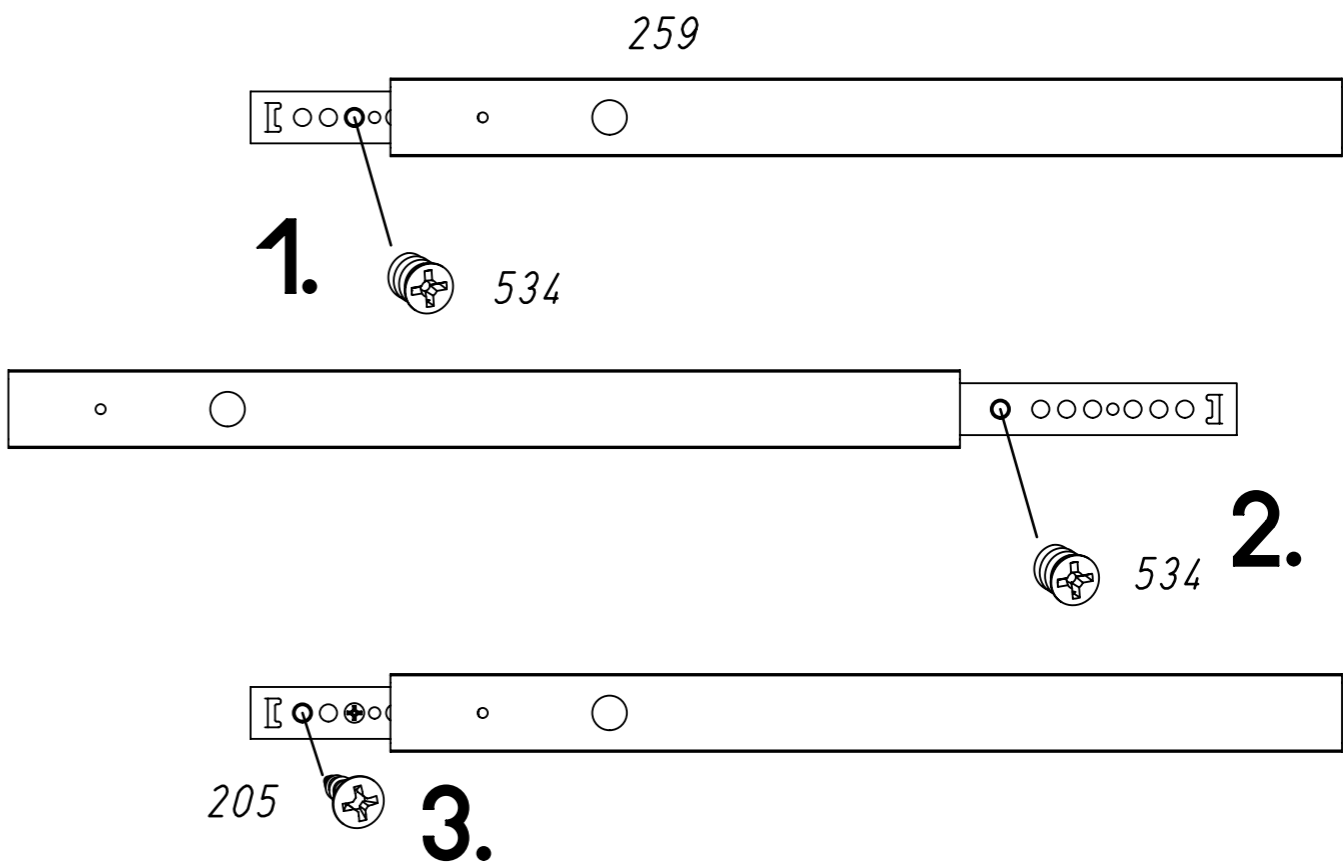
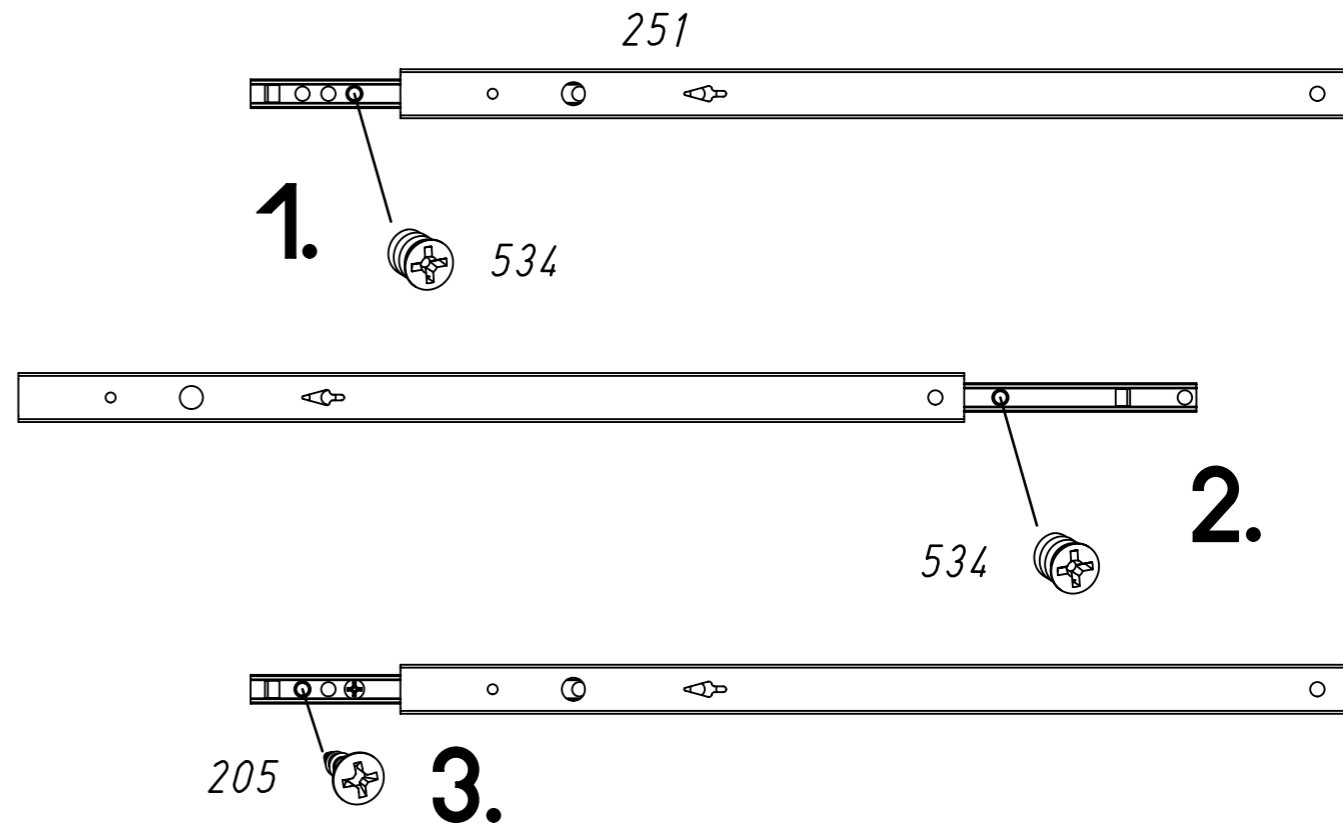


17

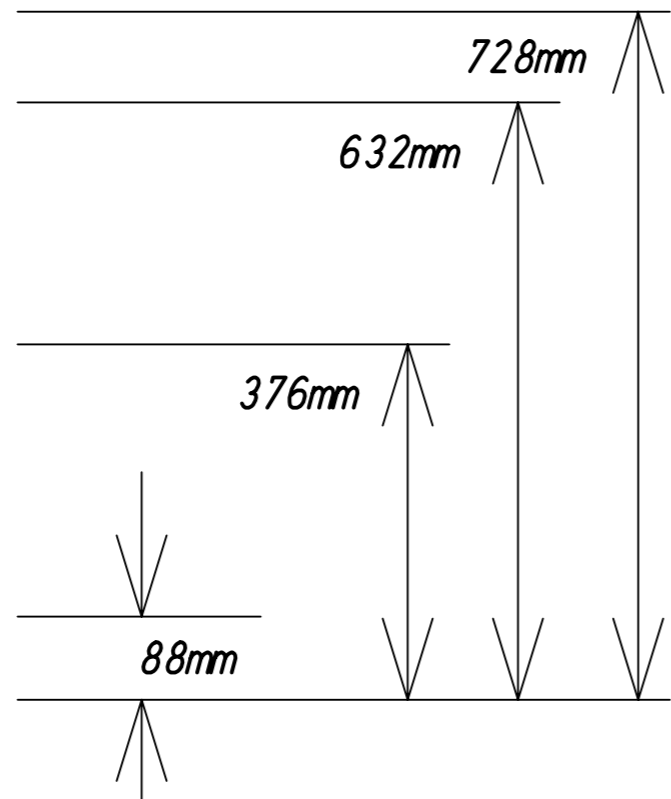
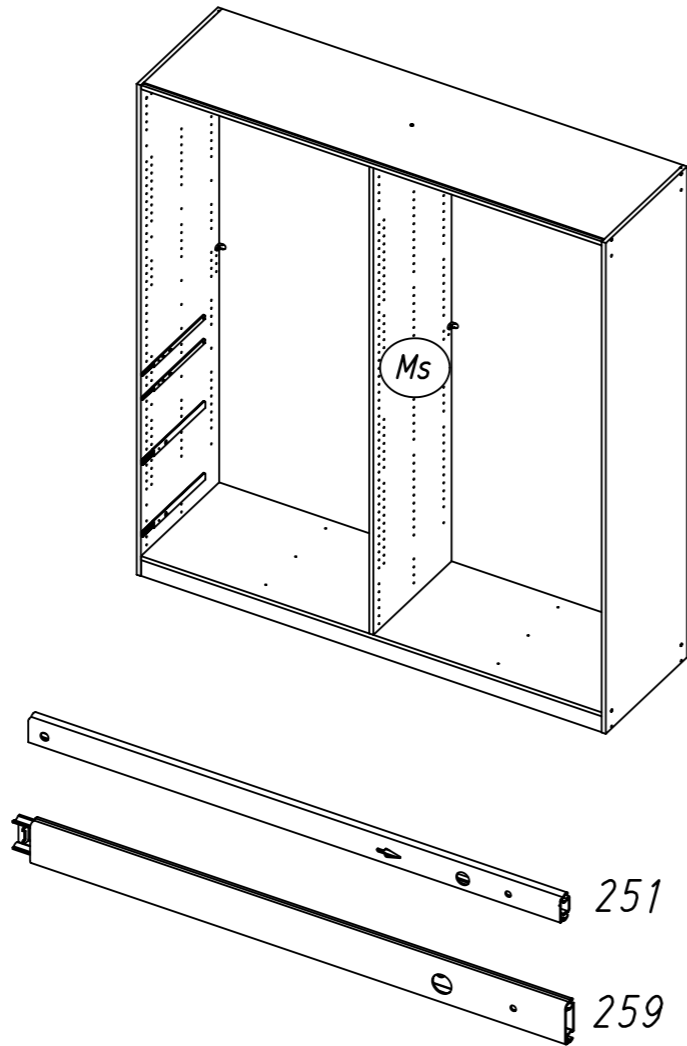
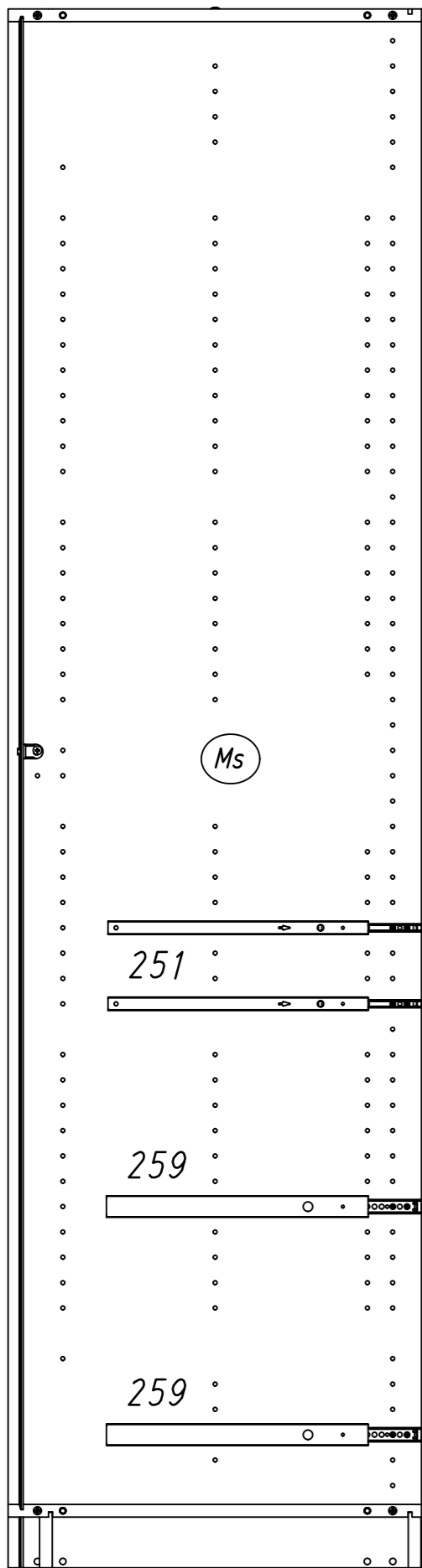


18

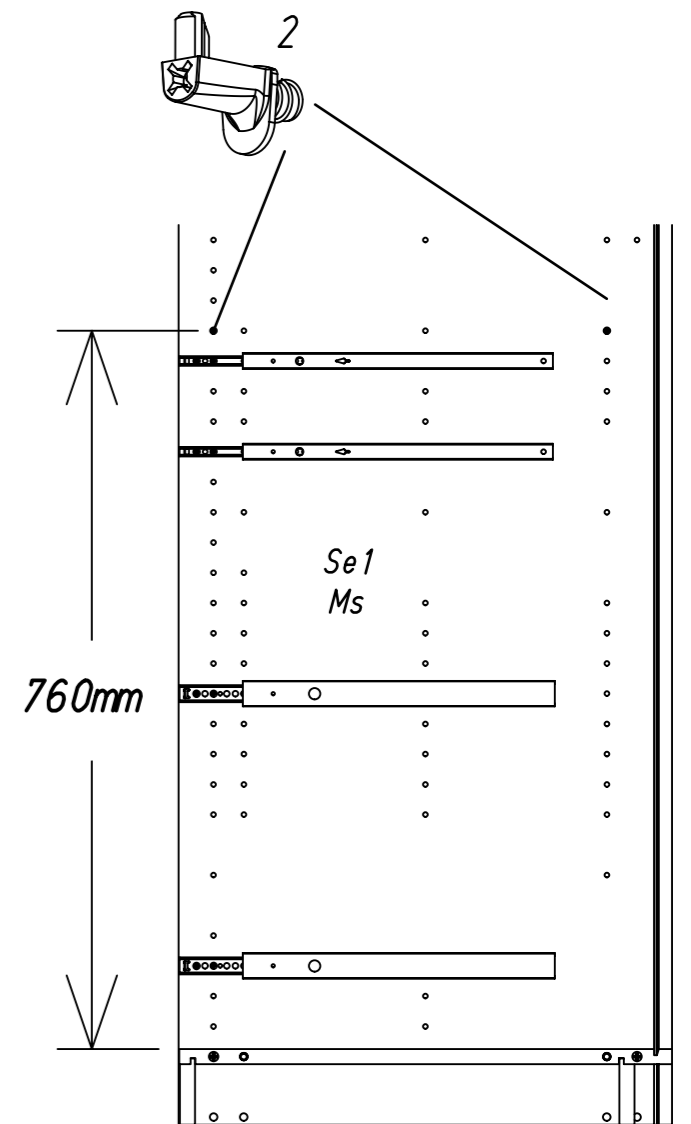
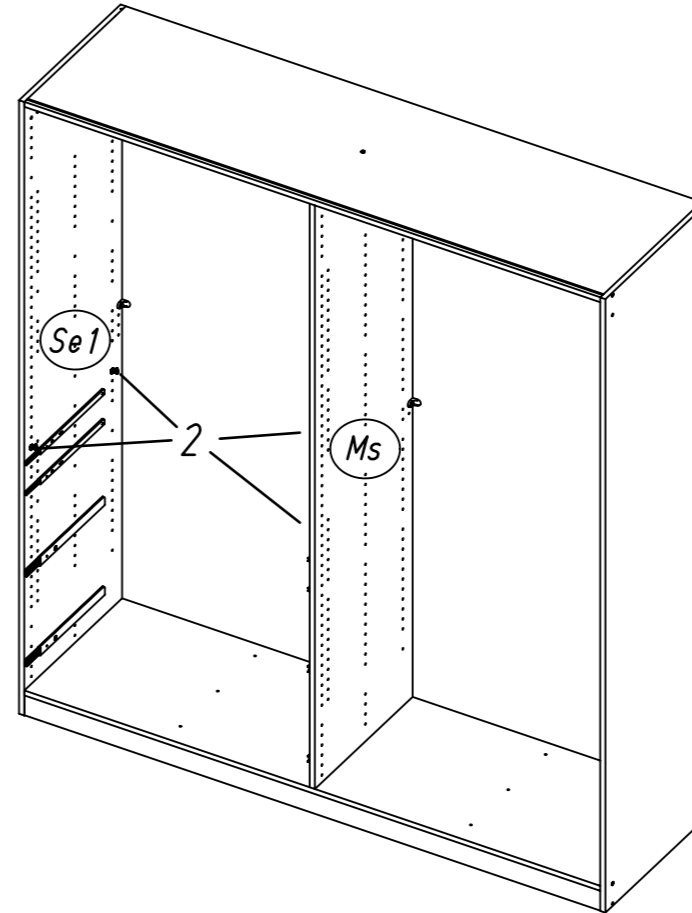
251 259 534 205



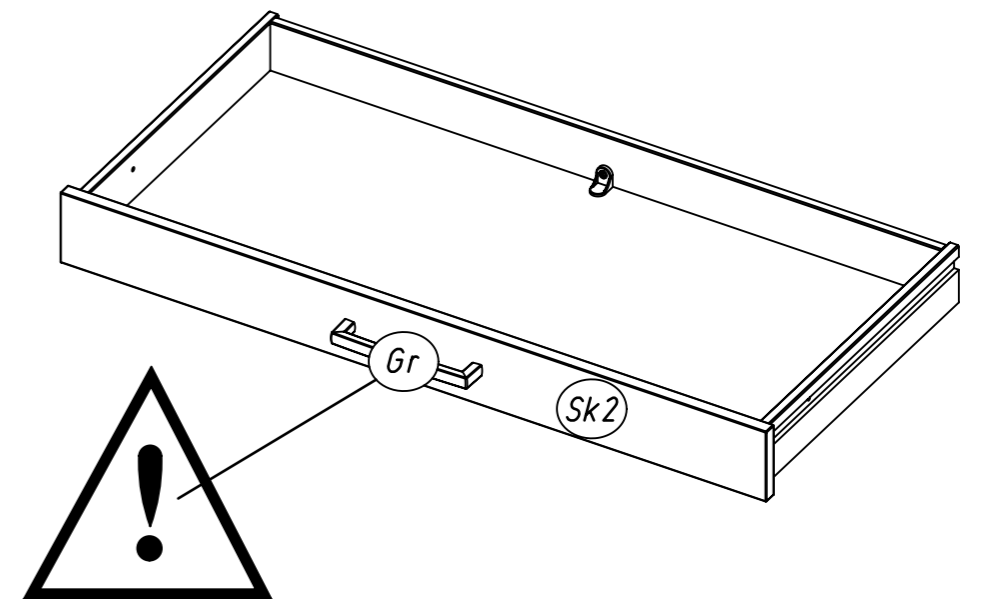
19 251 259 534 205



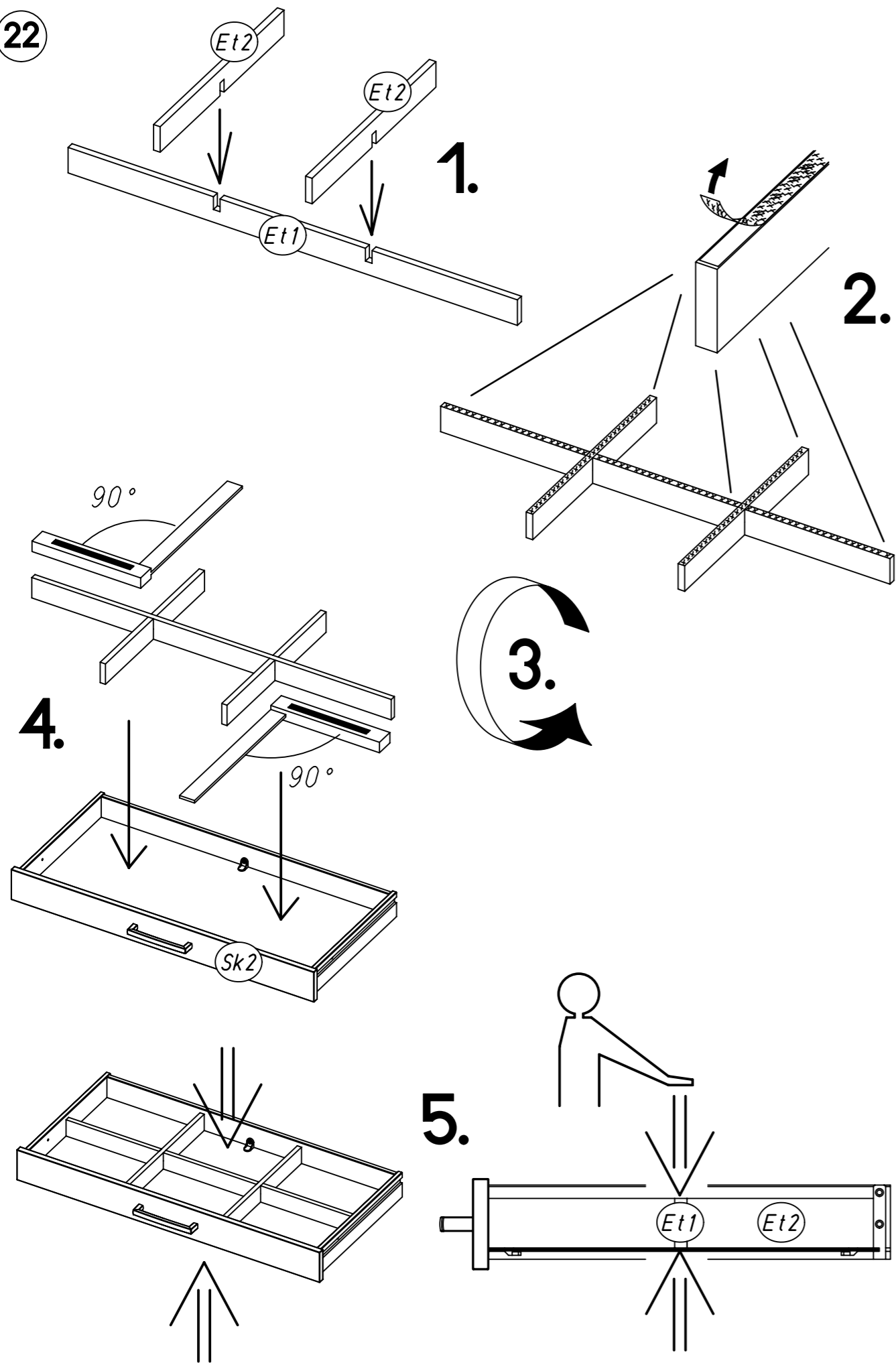
20 2



21

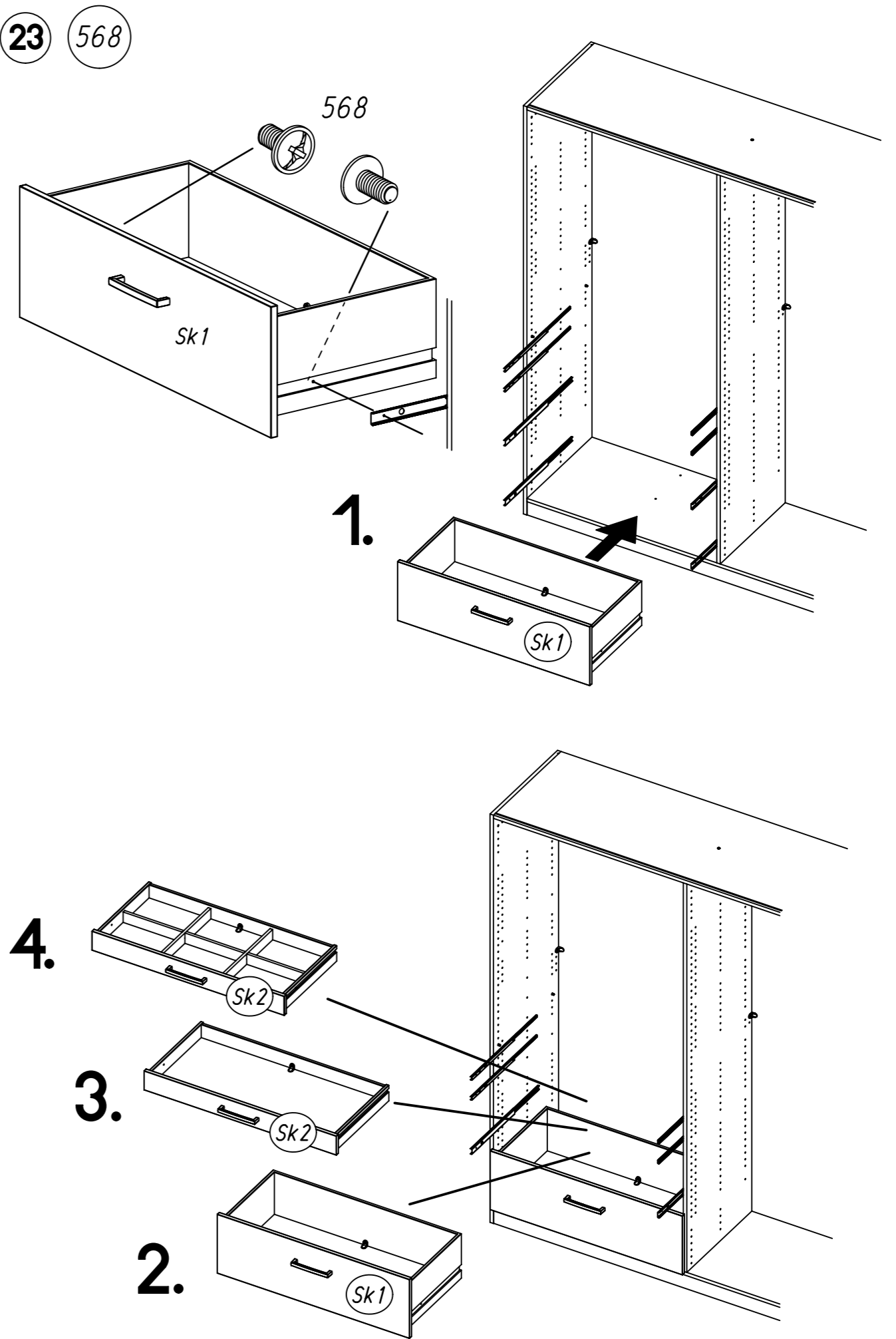


22

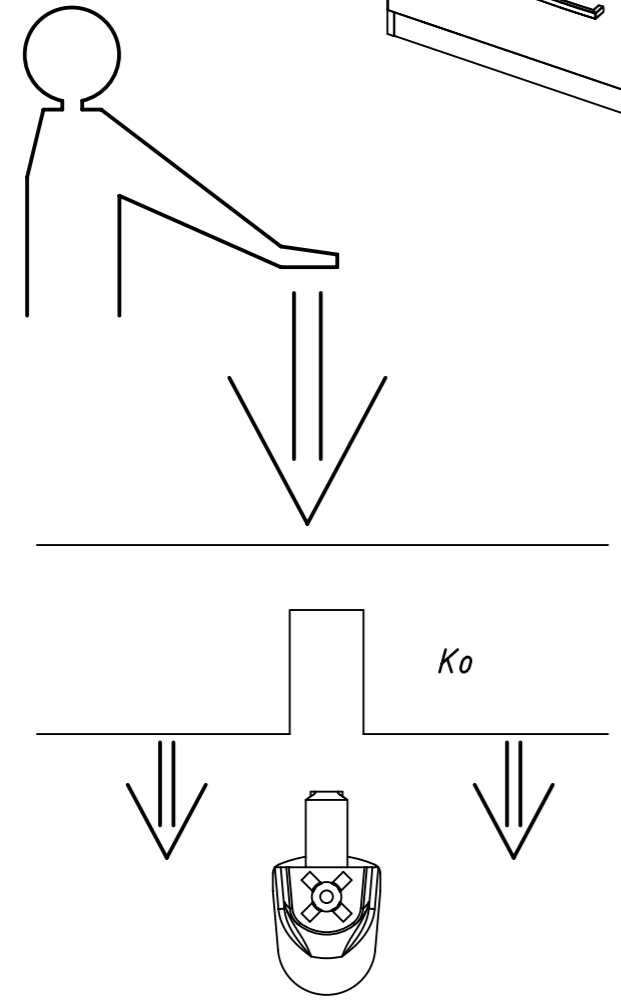
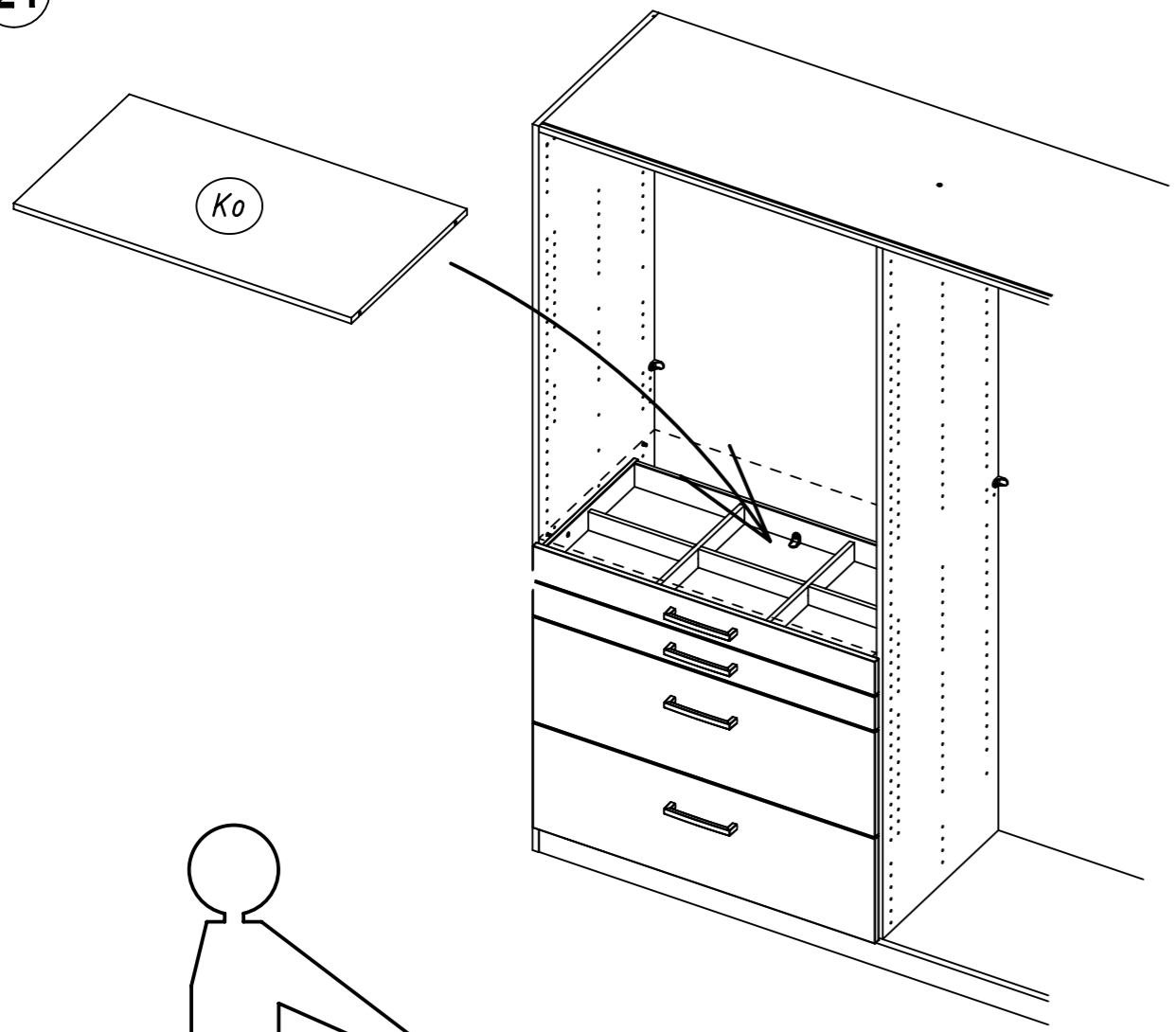


23

568

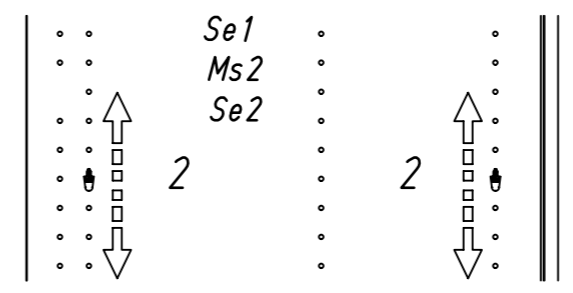
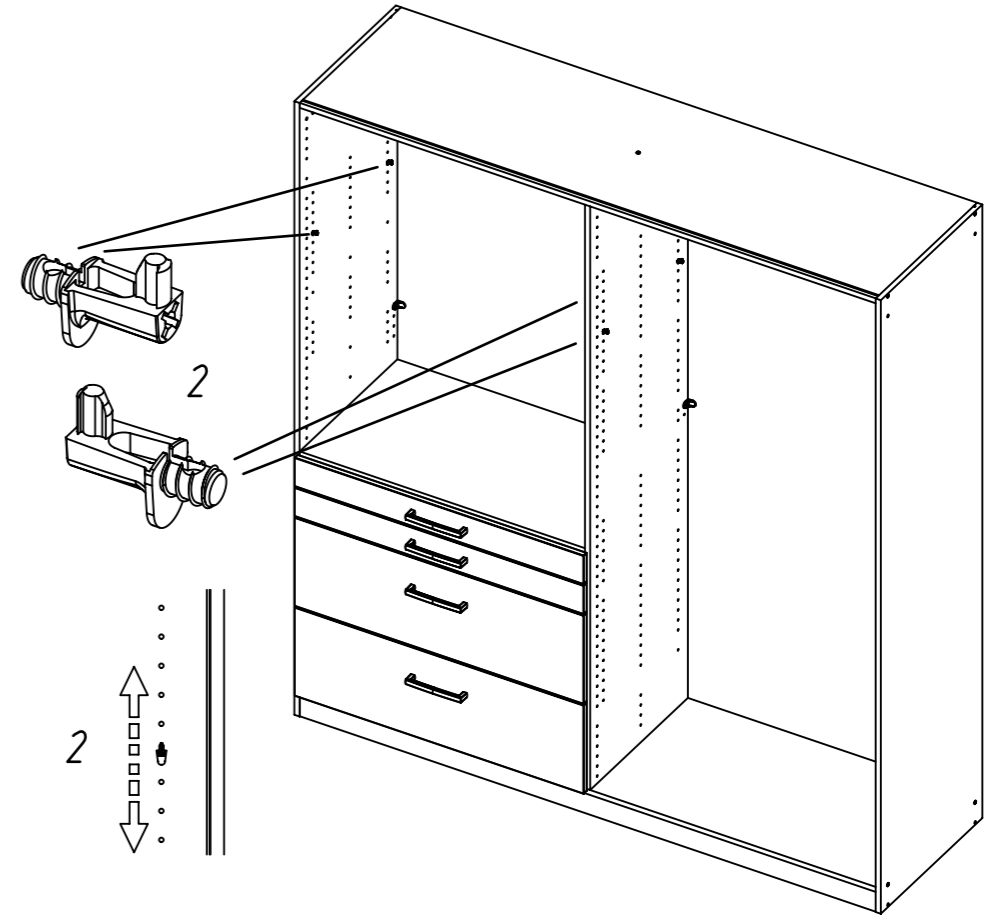


24

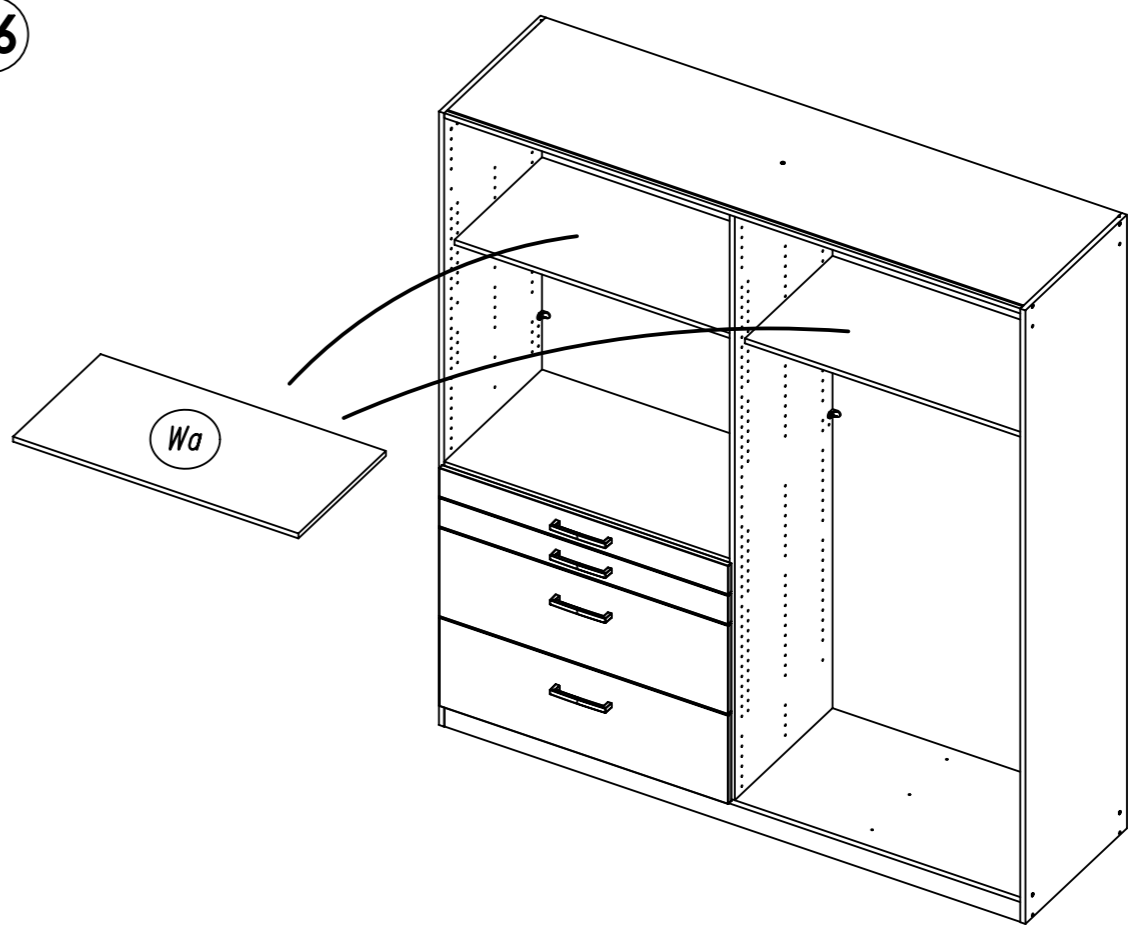


25

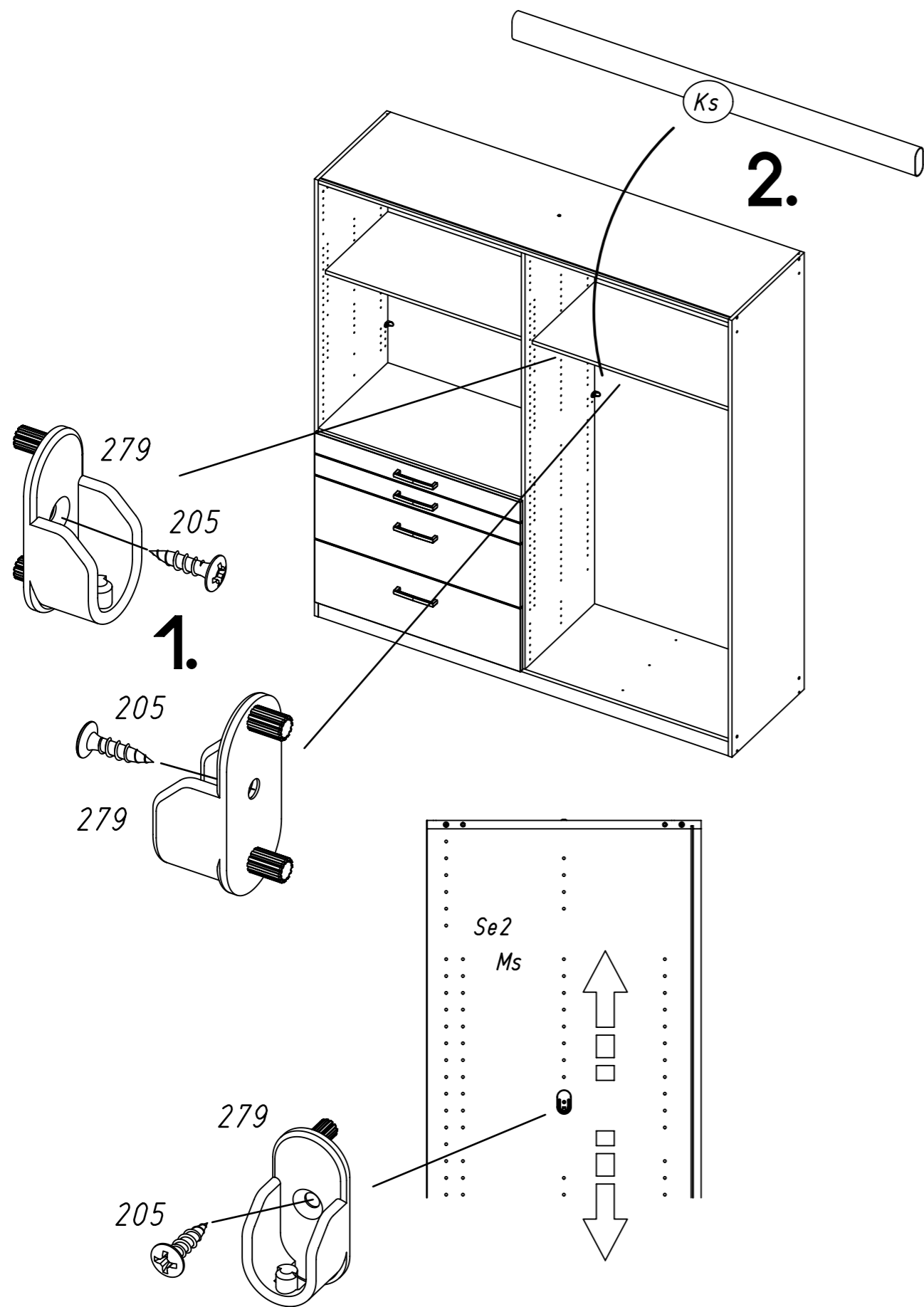
2



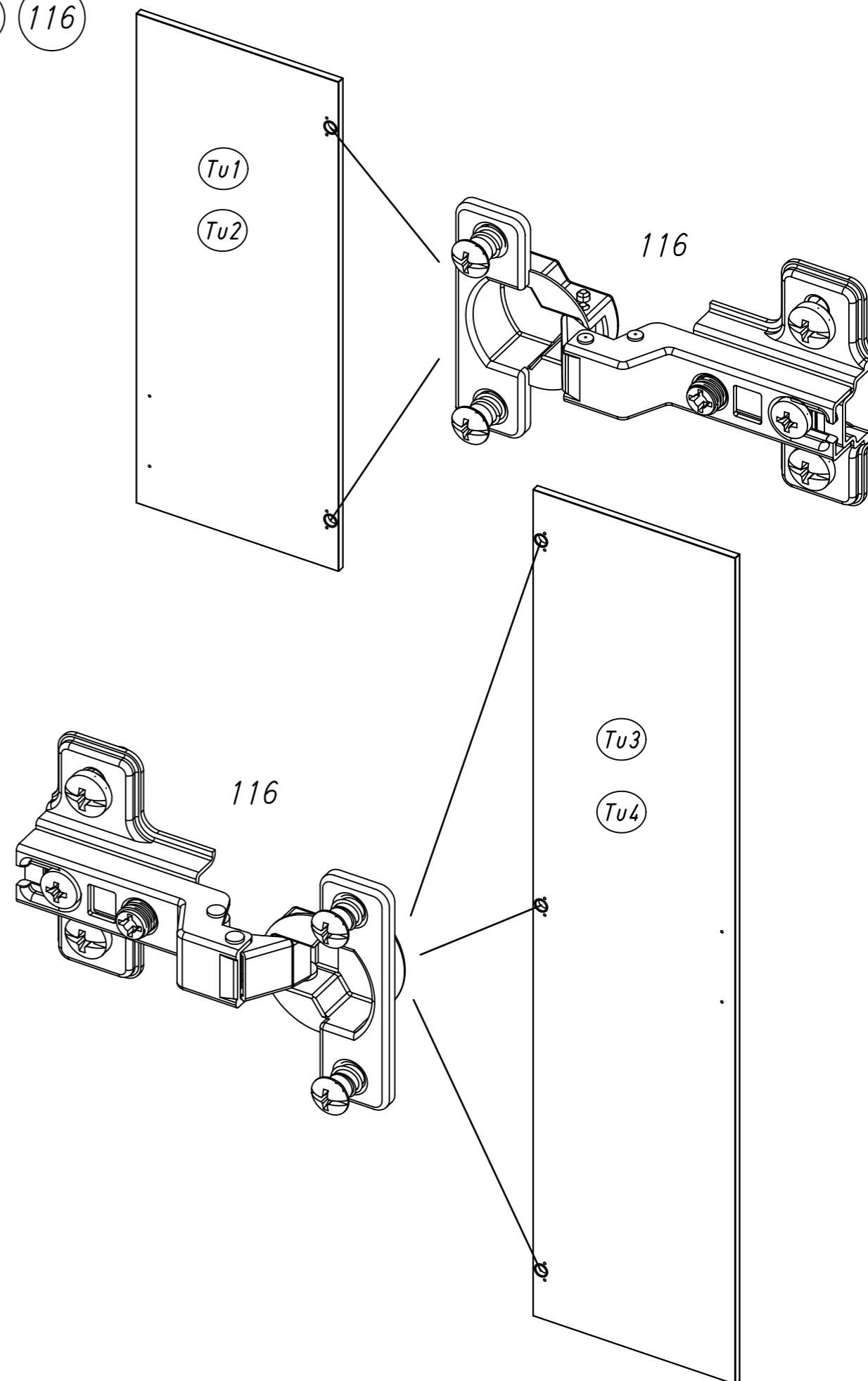
26



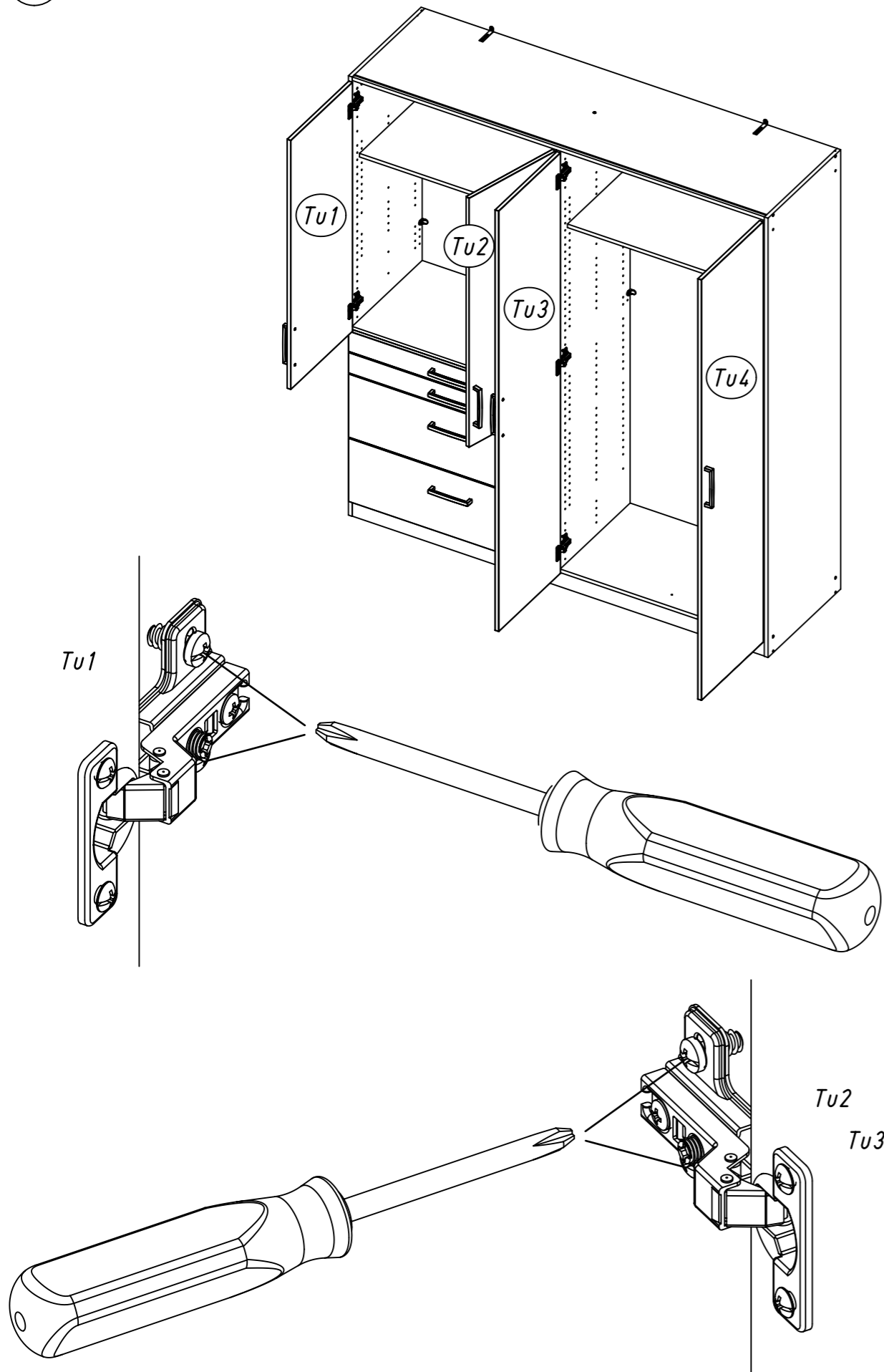
27 205 279



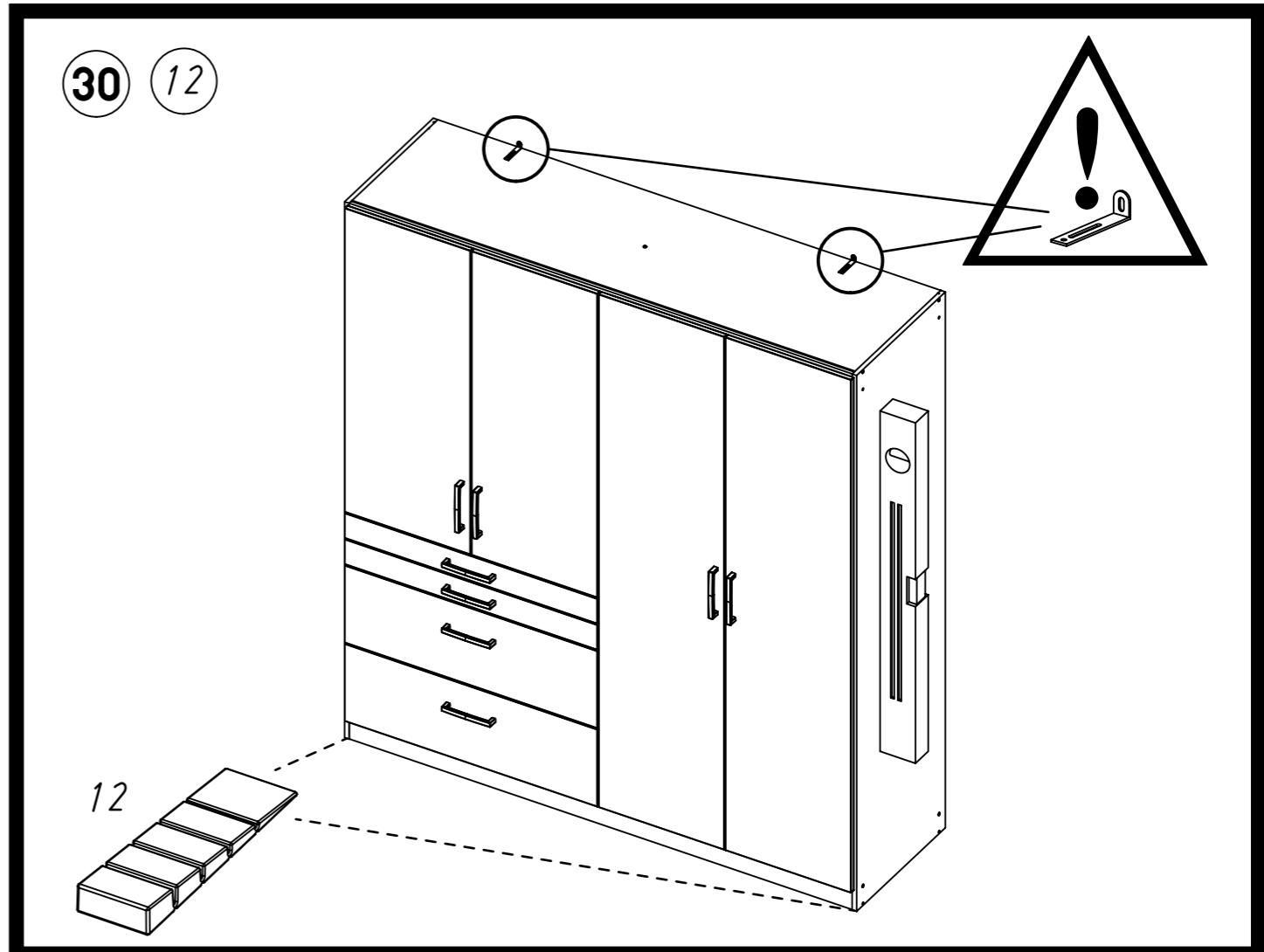
28 116



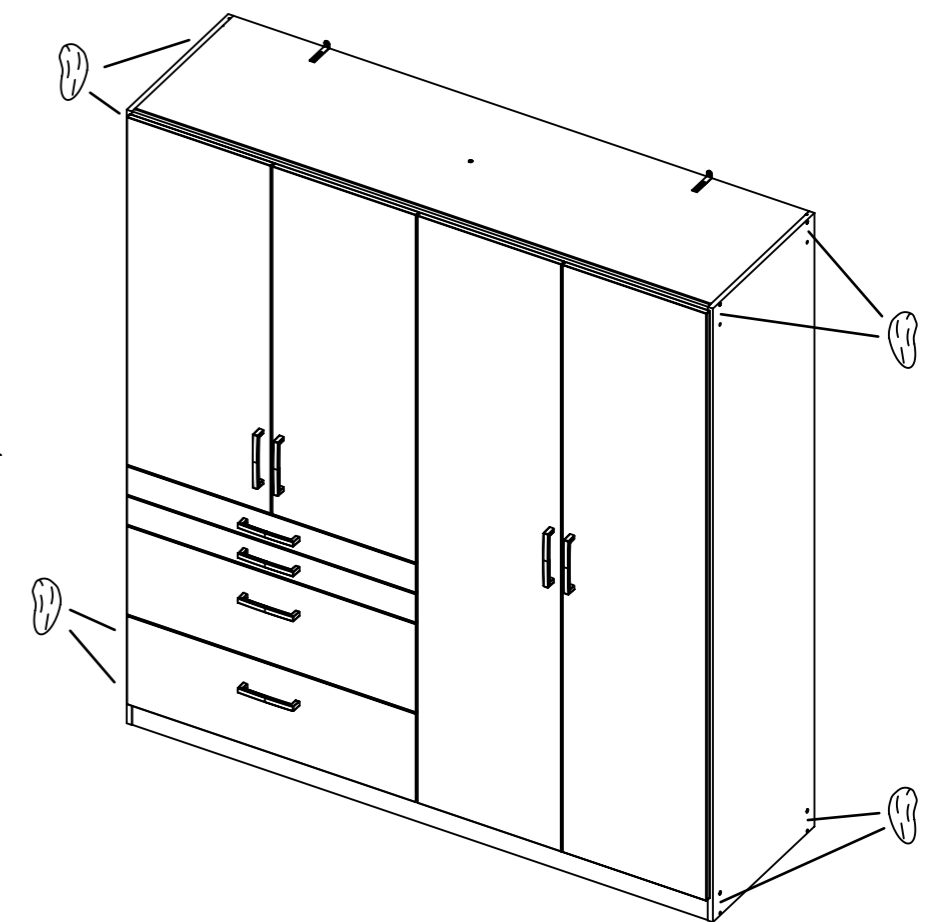
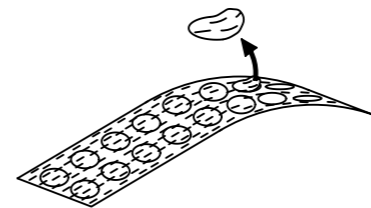
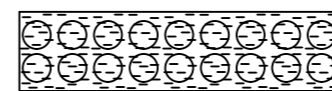
29



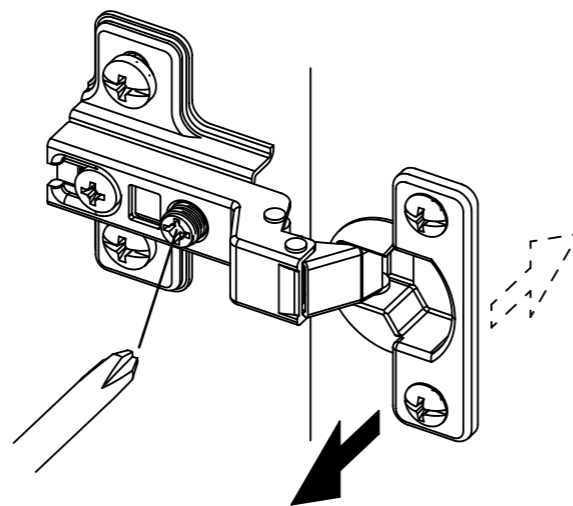
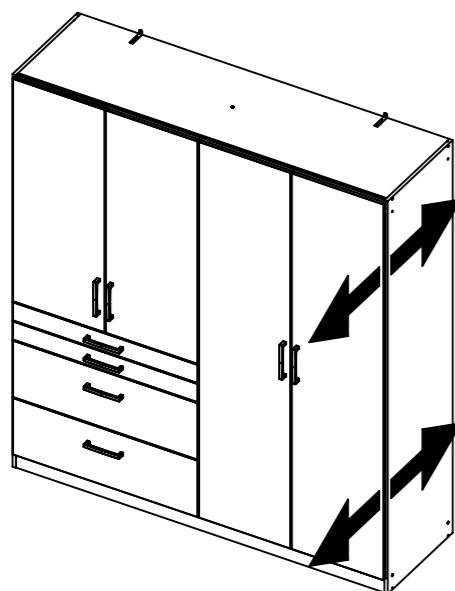
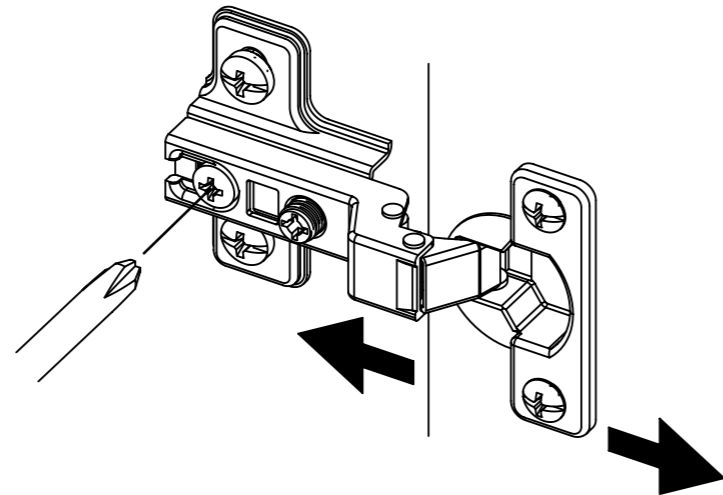
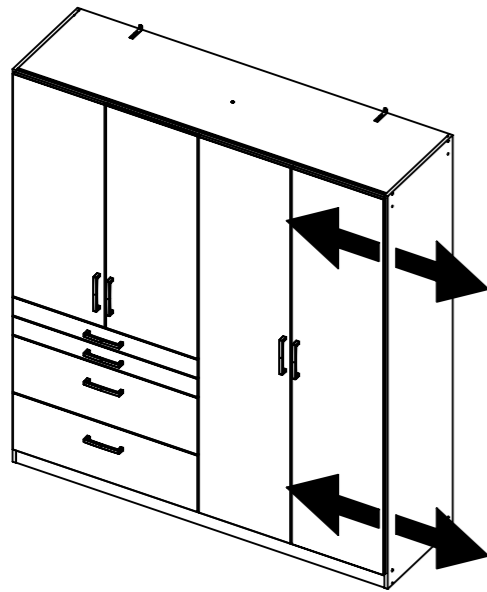
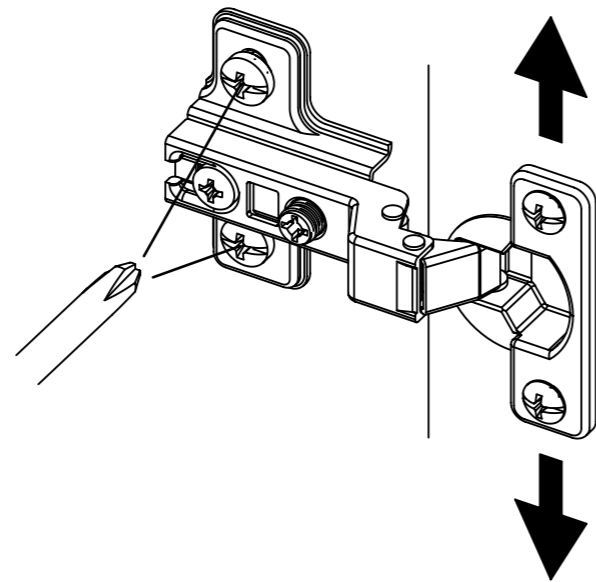
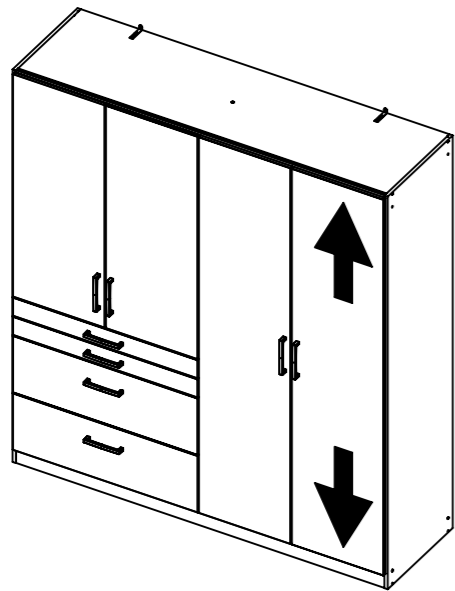
30 12



31 ABD-FOLIE
147x46



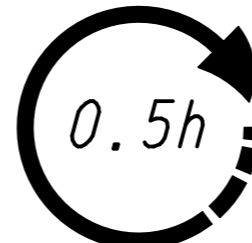
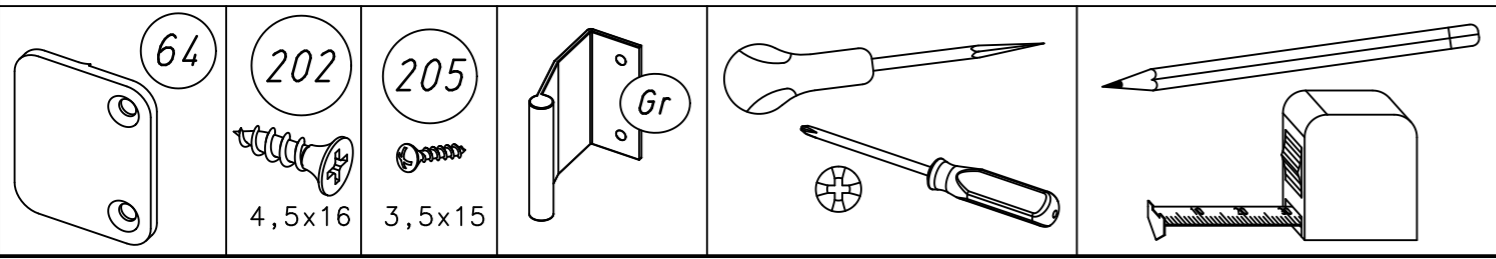
32



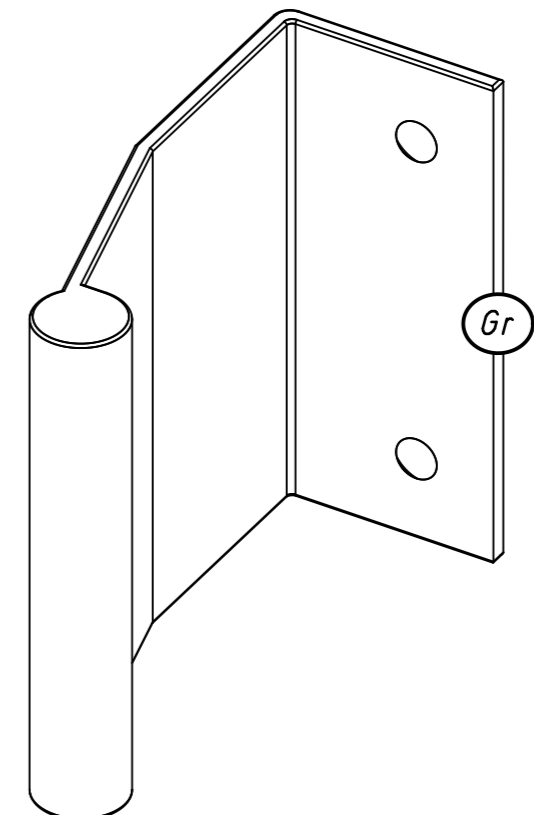
1.

ME480_09

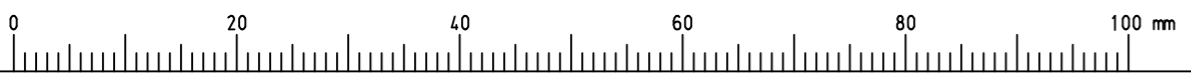
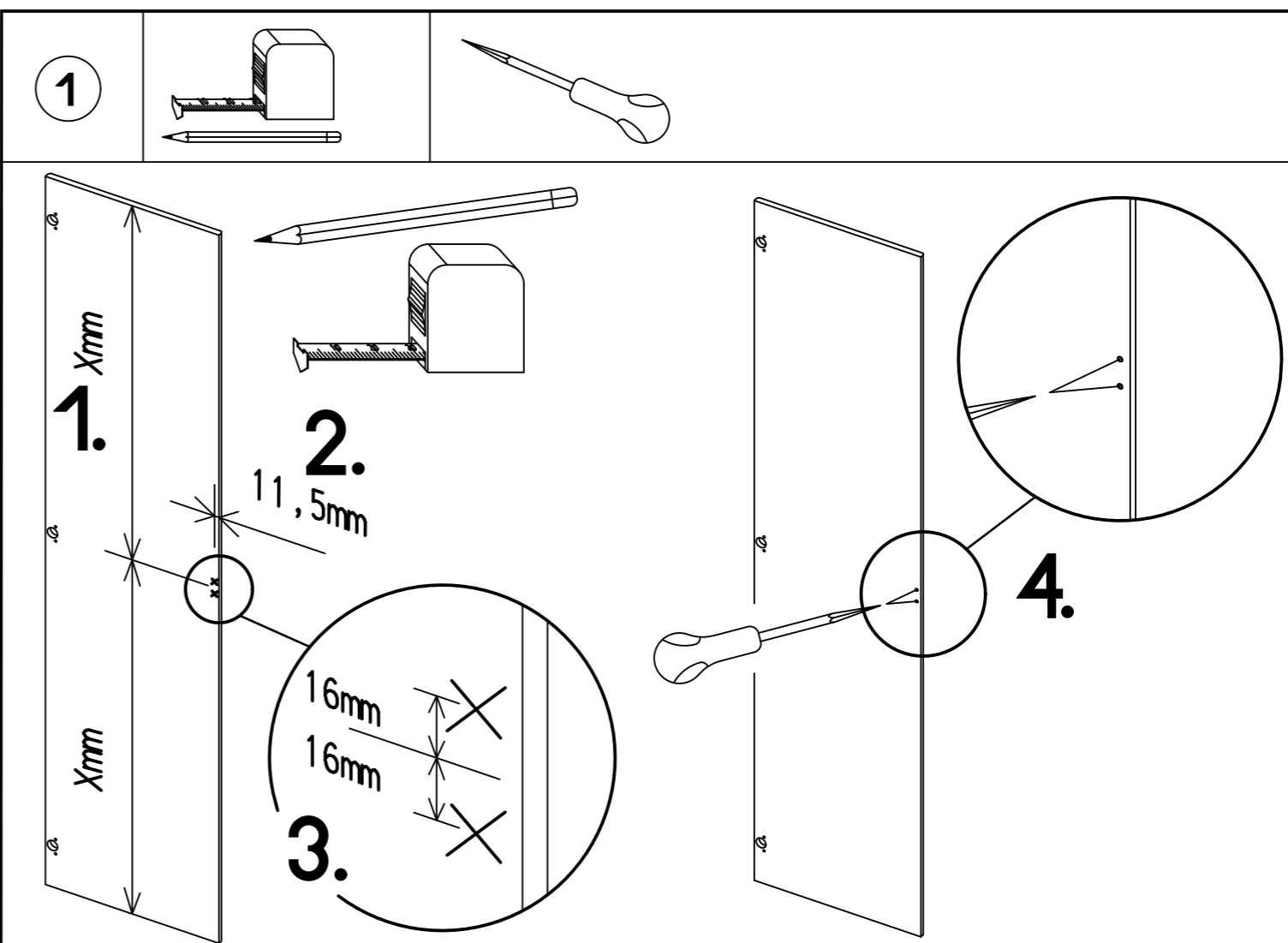
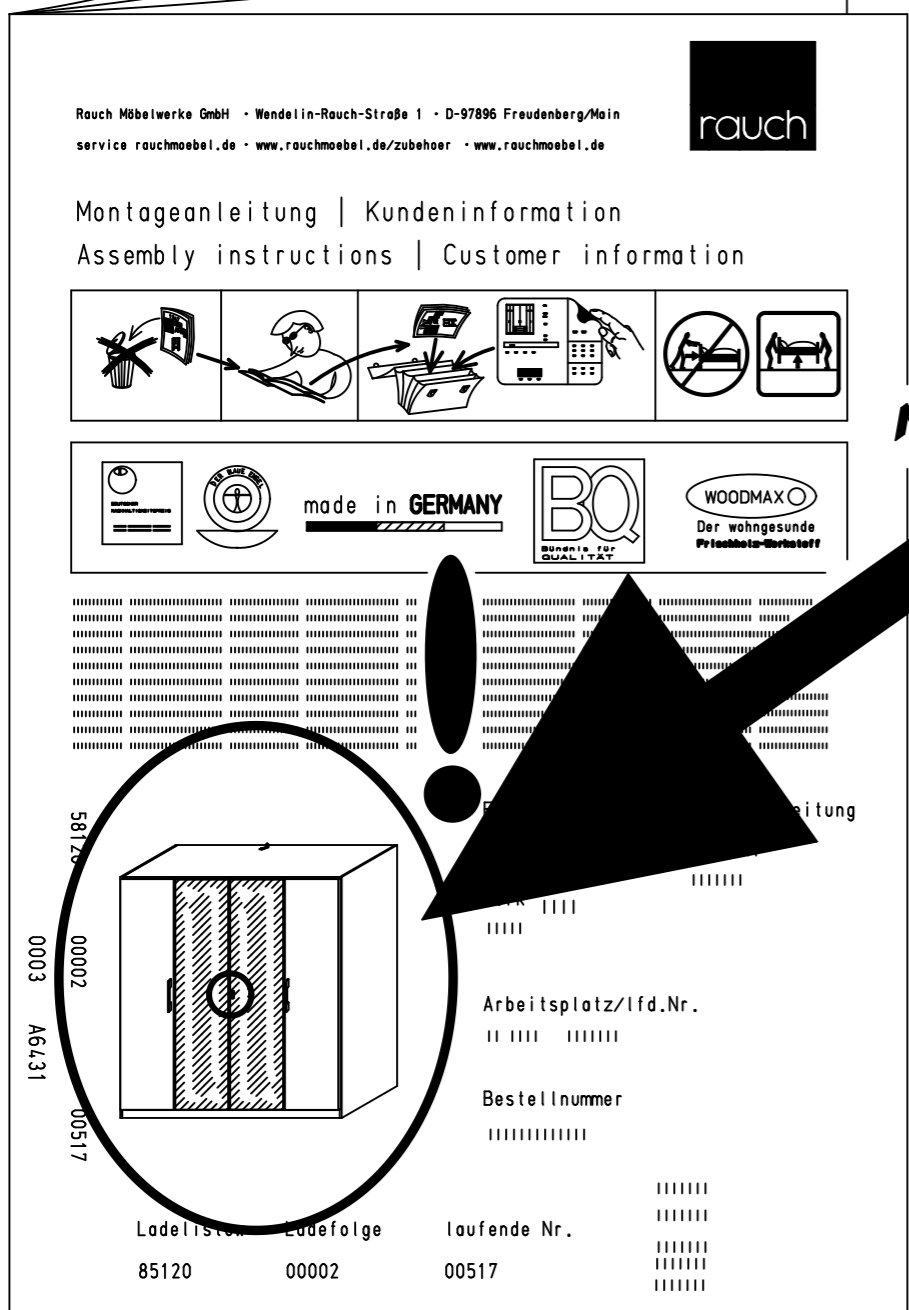
rauch



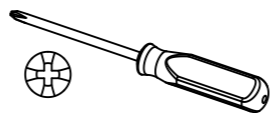
2.



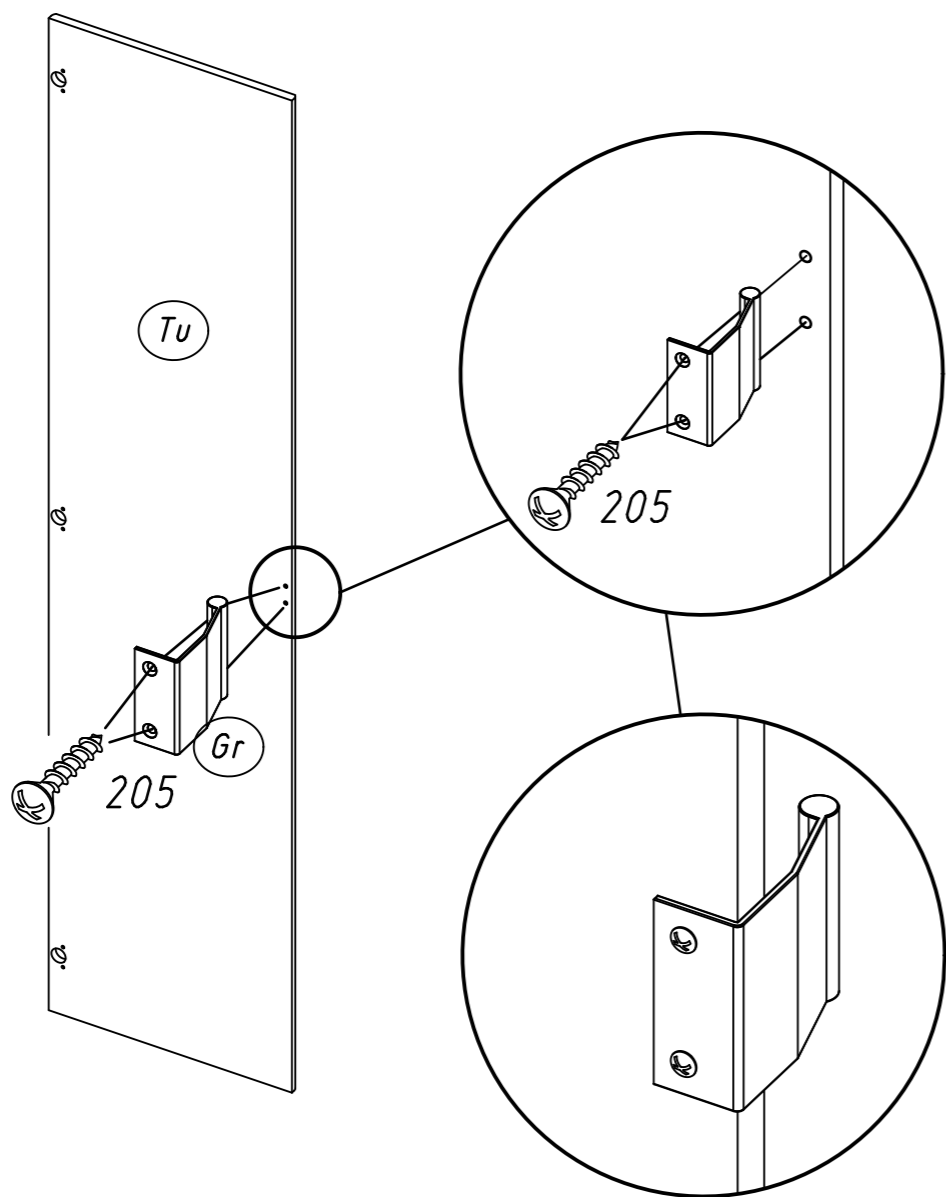
1...2...3...4...X Gr ?



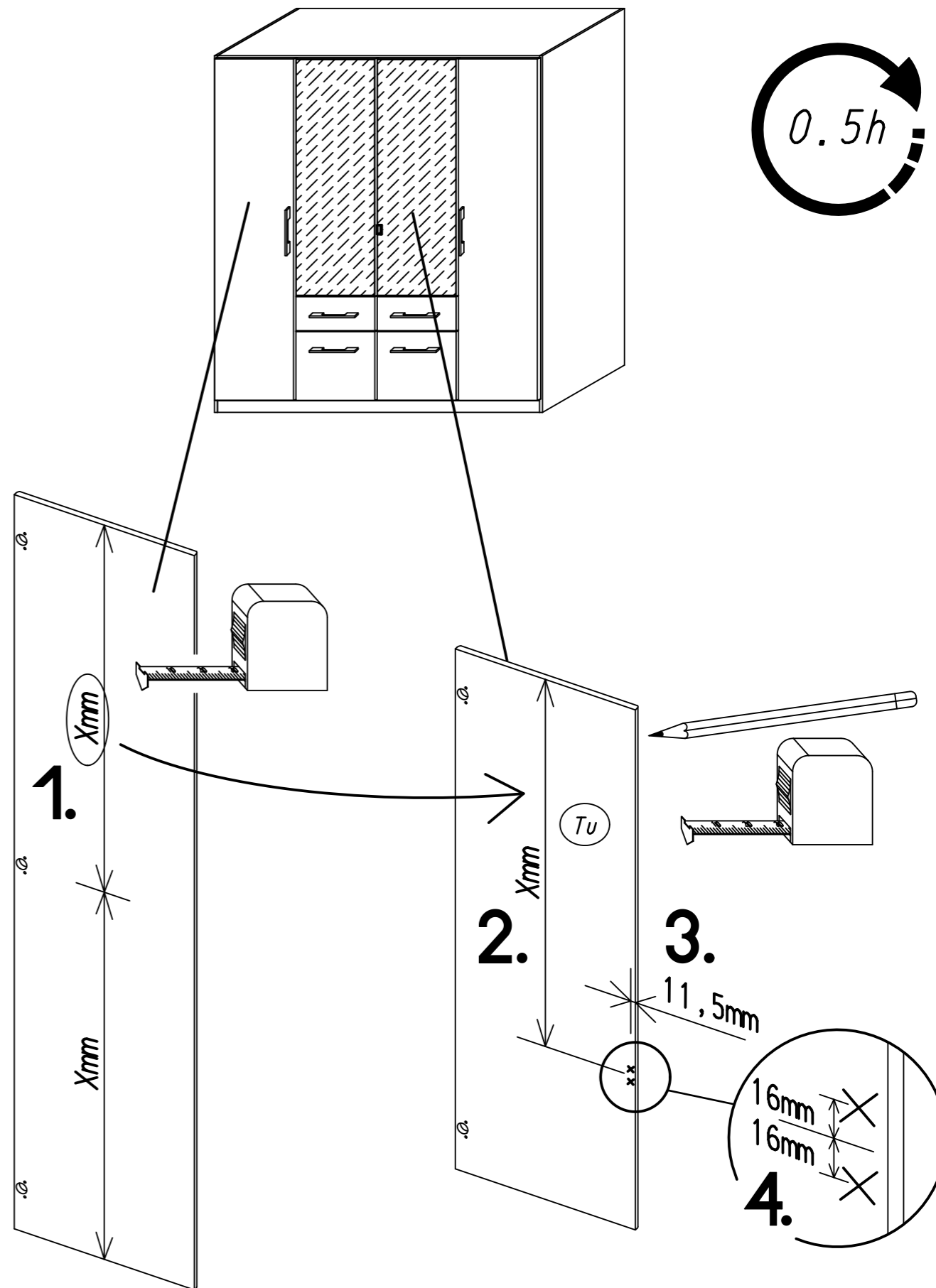
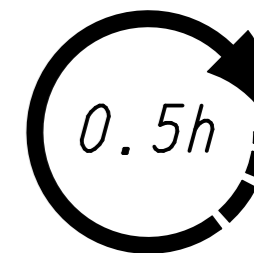
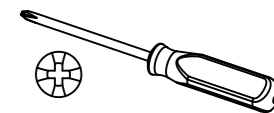
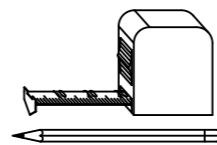
2



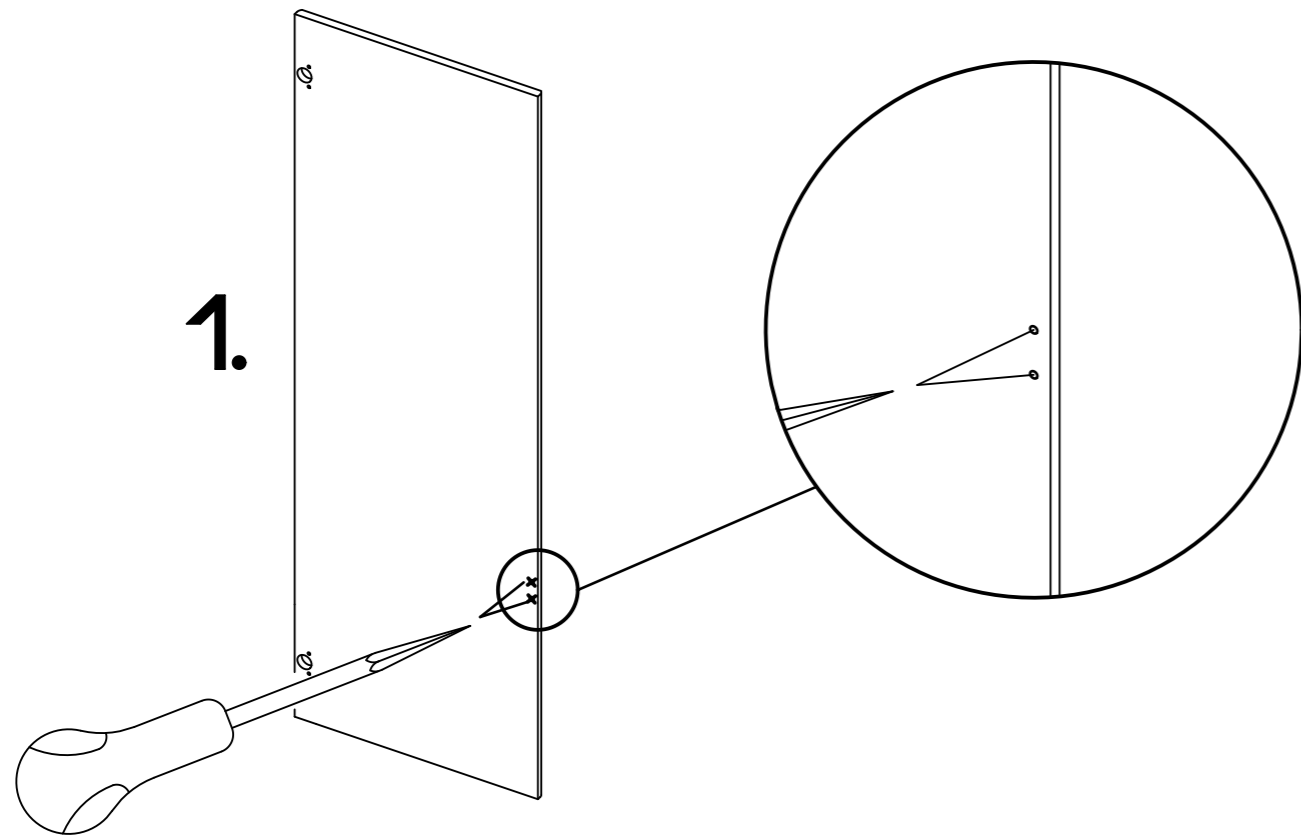
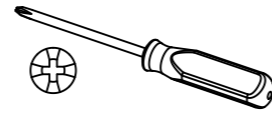
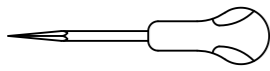
- 1x \textcircled{Tu} = 1x \textcircled{Gr} | 2x $\textcircled{205}$
- 2x \textcircled{Tu} = 2x \textcircled{Gr} | 4x $\textcircled{205}$
- 3x \textcircled{Tu} = 3x \textcircled{Gr} | 6x $\textcircled{205}$
- ...



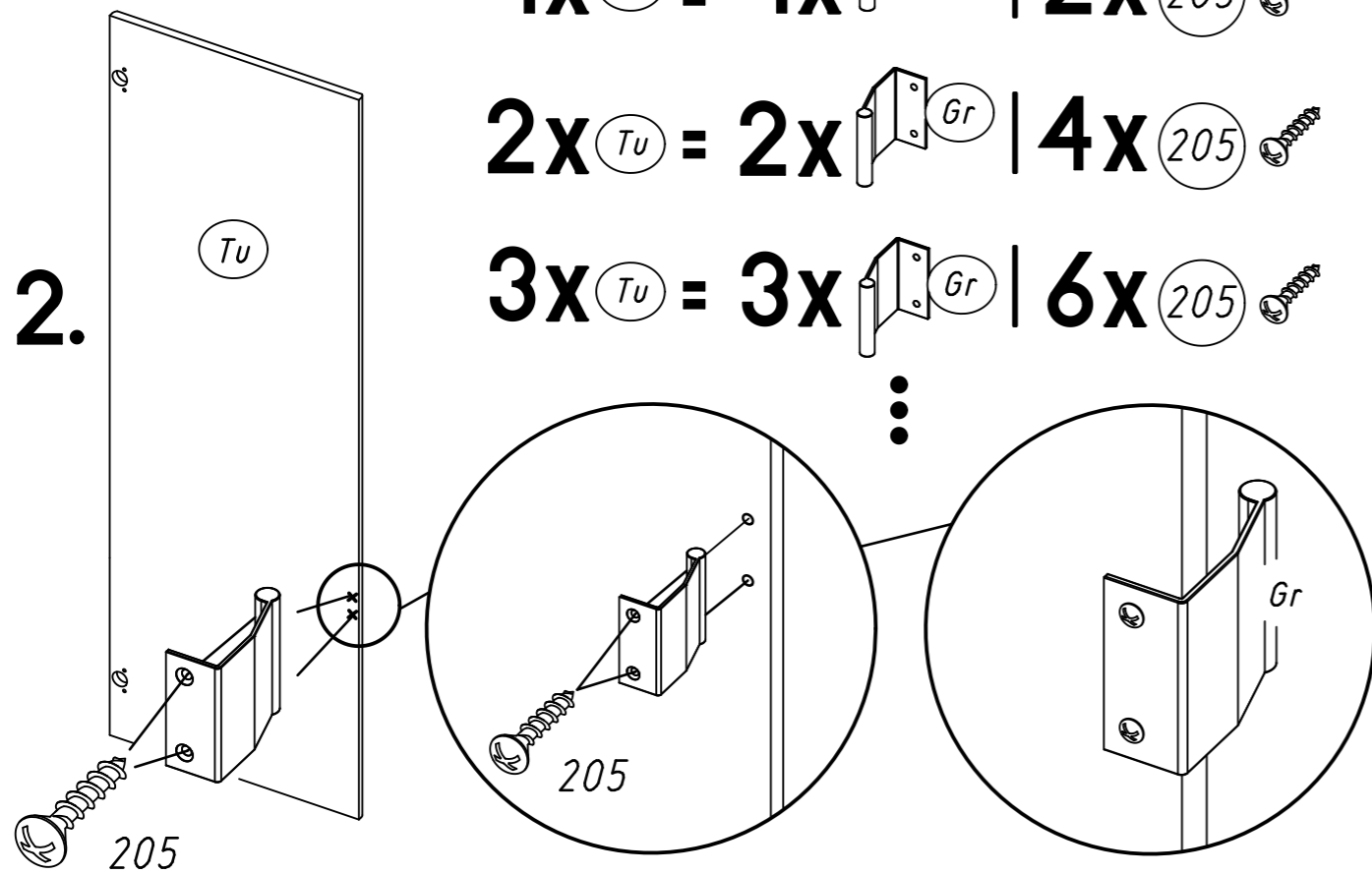
1



2



1.



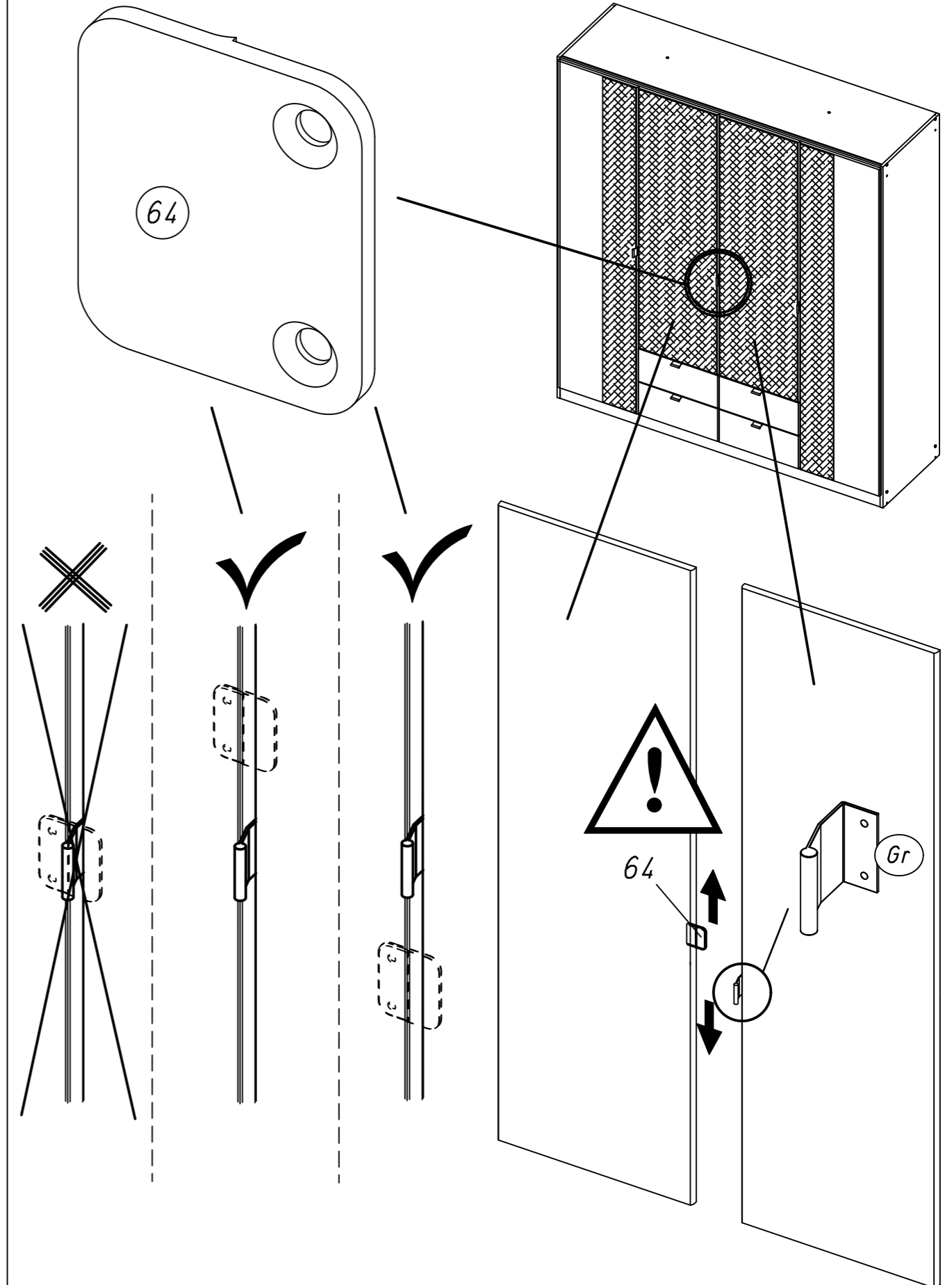
1x (Tu) = 1x (Gr) | 2x (205)

2x (Tu) = 2x (Gr) | 4x (205)

3x (Tu) = 3x (Gr) | 6x (205)

...

3

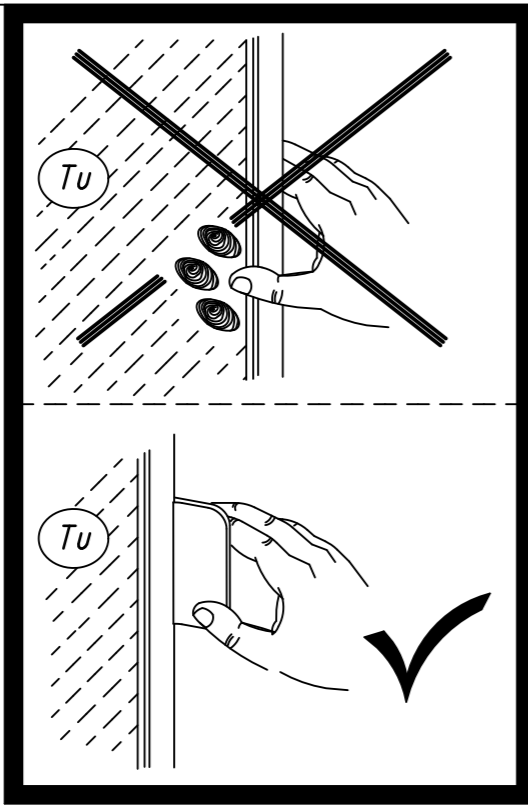
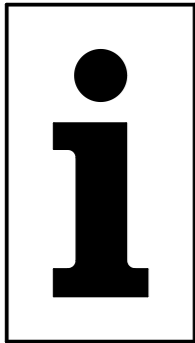


64

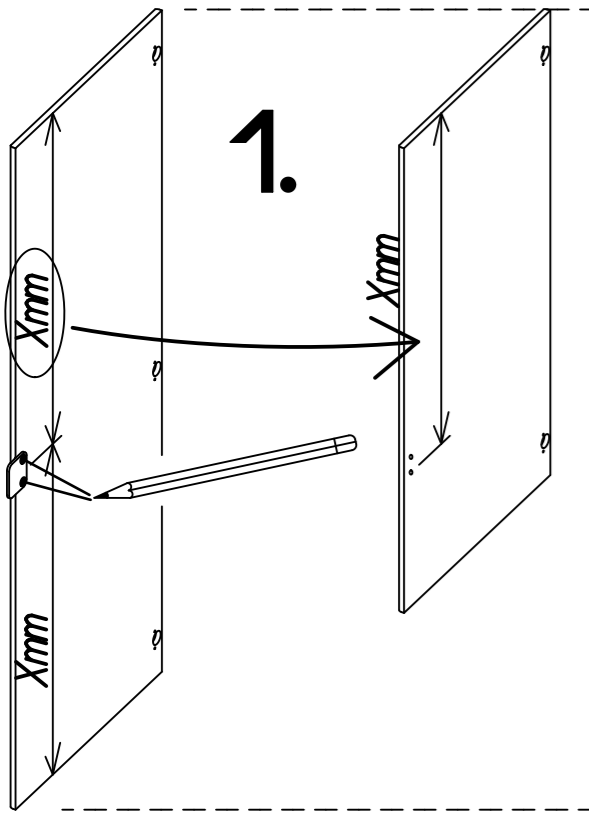
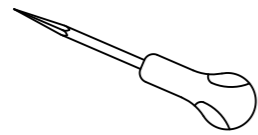
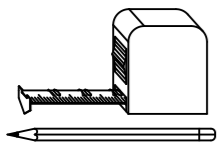


64

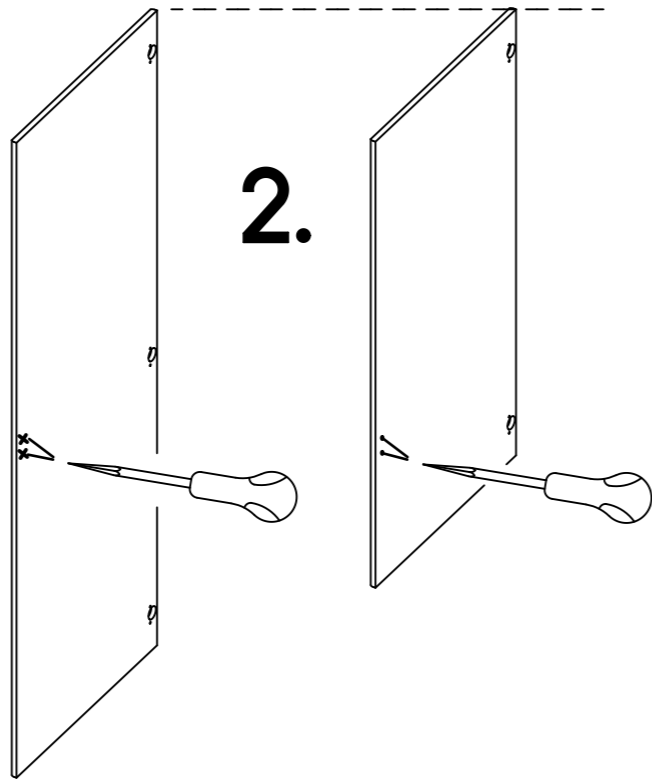
Gr



4

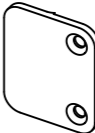


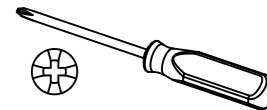
1.




2.

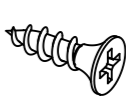
5

1x Tu = 1x 64 



1x Tu = 2x 202 

2x Tu = 4x 202 

3x Tu = 6x 202 

⋮

