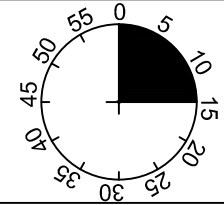
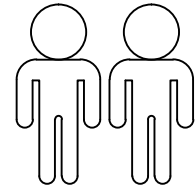
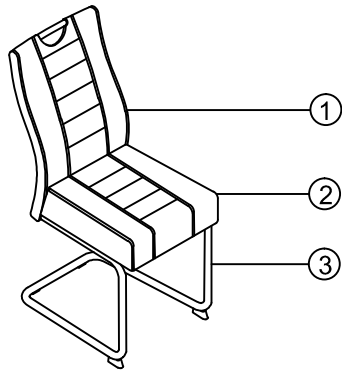


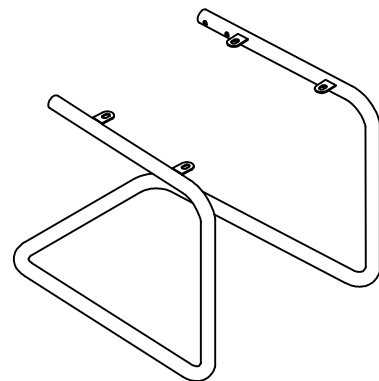
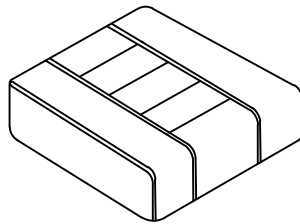
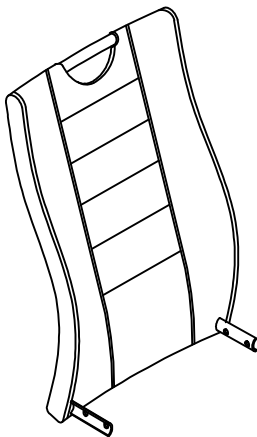
Erika



1

2

3



1	1x
2	1x
3	1x

A	M6X20	B	M8x20	C	Ø18xØ8x1.5	D	Ø18xØ6x1.5	E	M8	F	4MM
	4x		4x		4x		4x		4x		1x
G	6MM	H	M4x20	I							
	1x		4x		2x						

I.

1

3

H M4x20 4x

I 2x

100%

2

1

B M8x20 4x

C Ø18xØ8x1.5 4x

E M8 4x

G 6MM 1x

75%

3

2

A M6x20 4x

D Ø18xØ6x1.5 4x

F 4MM 1x

75%

4

F 4MM 1

G 6MM 1

100%

