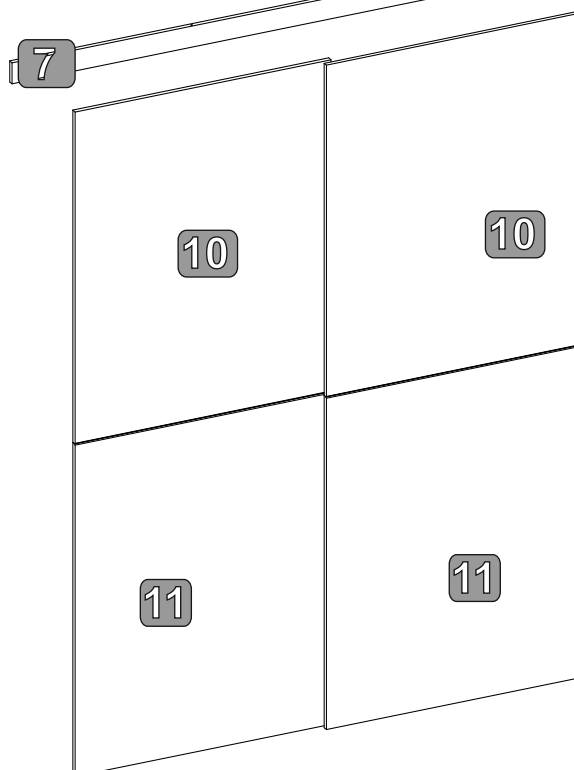
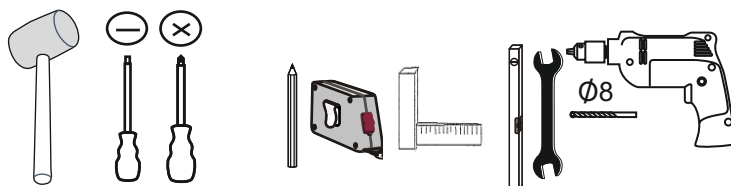
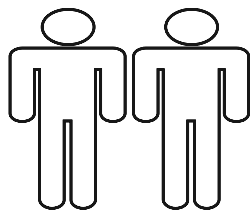
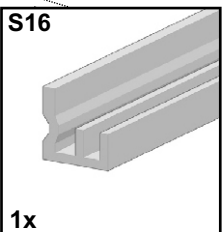
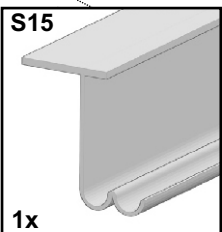
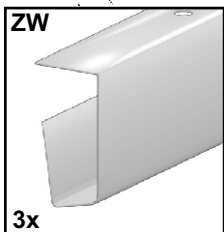
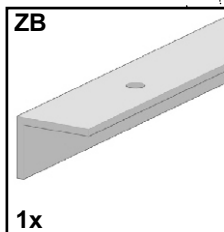
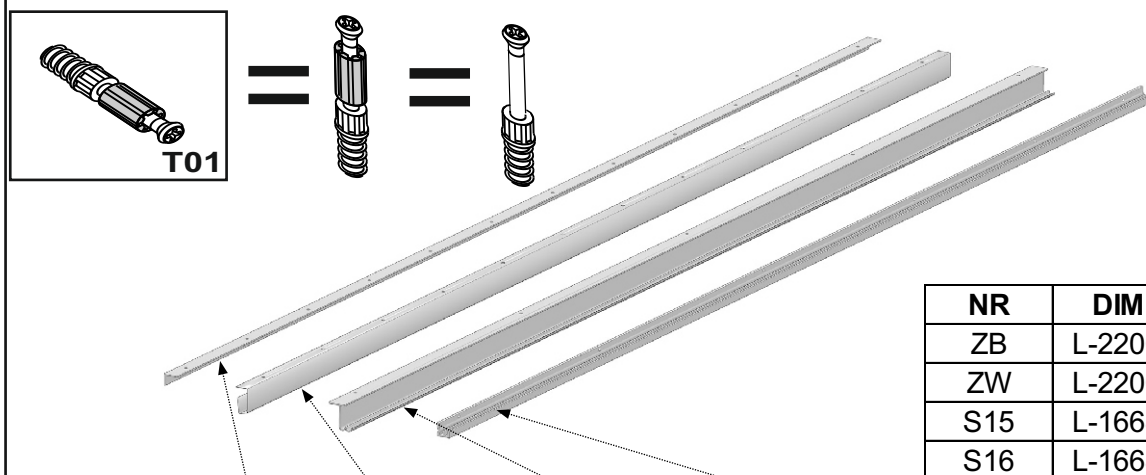


NR	DIM	QTE	COLLI
1	2250x324x15	1	2/5
2	2250x353x15	1	2/5
3	1670x305x15	1	1/5
4	1670x321x15	1	1/5
5	2149x268x15	1	2/5
6	827,5x245x15	2	1/5
7	1670x70x15	1	1/5
8	1670x70x15	1	1/5
9	2168x834x2	2	2/5
10	1100x865x15	1	3/5;4/5
11	1100x865x15	1	3/5;4/5
12	827x245x15	4	1/5



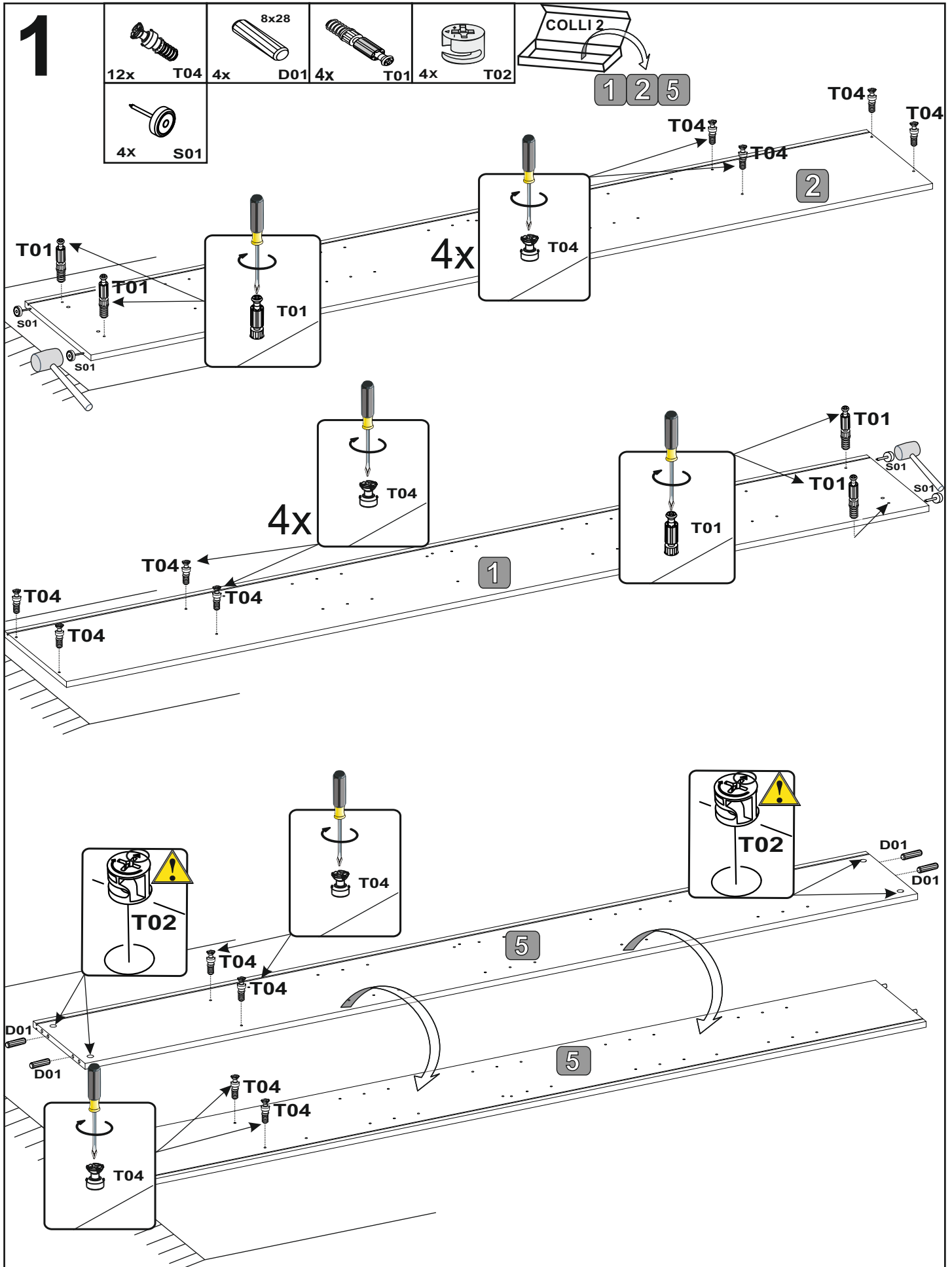


 1x B01	 2x F01	 2x F11	 2x P01	 4x W07	 16x R02	 12x T05
 10x S01	 8x D01	 6x ZA2	 8x C02	 8x C01	 16x W20	 12x T04
 16x E01	 11x W05	 8x T02	 8x T01	 1x K02	 8x W16	 4x W08
 4x W36	 89x W01	 24x W13	 2x W05S	 2x E05	 1x S10	 1x S11
 2x S12	 2x S13	 2x S14	 2x E04	 8x W03		

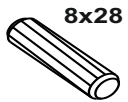


0 10 20 30 40 50 60 70 80 90 100

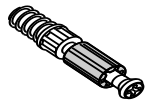




2



4x D01



4x T01



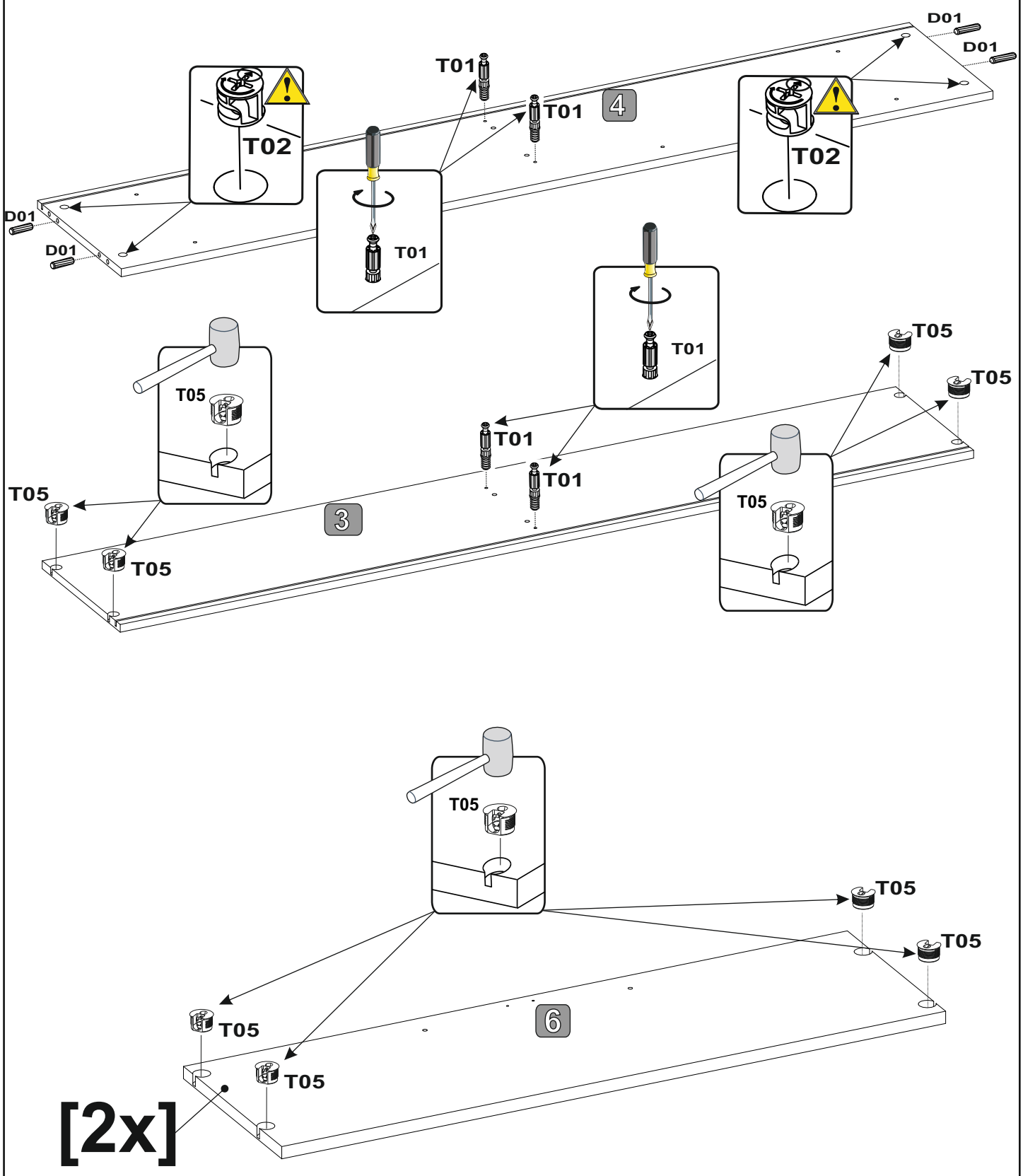
12x T05



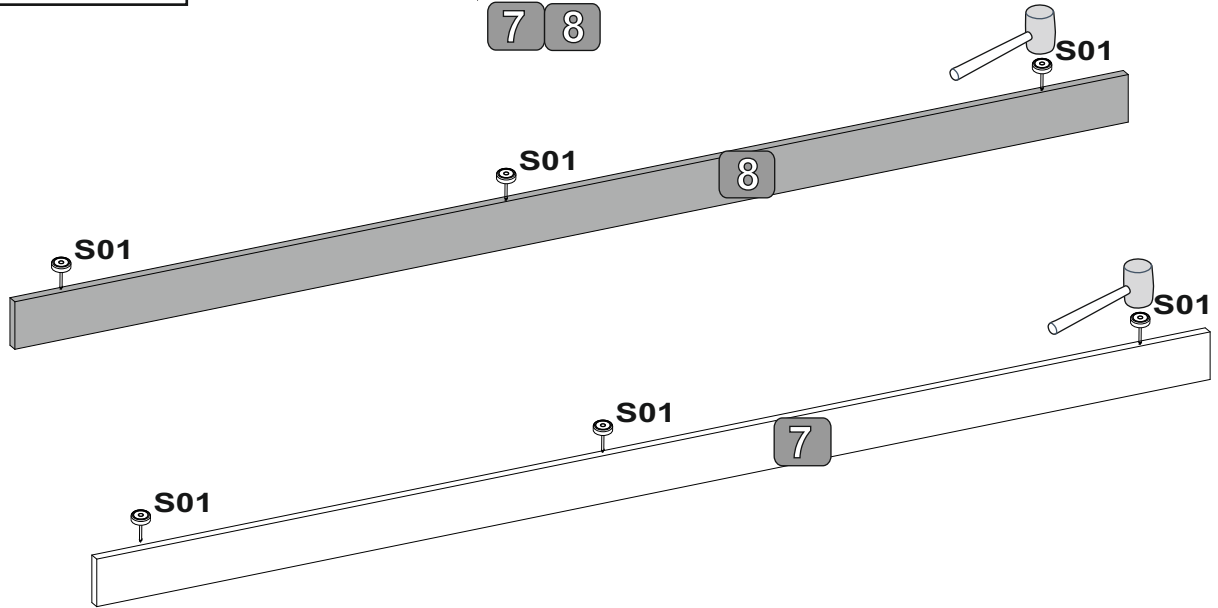
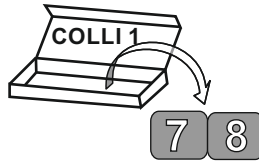
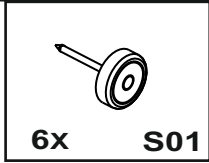
4x T02



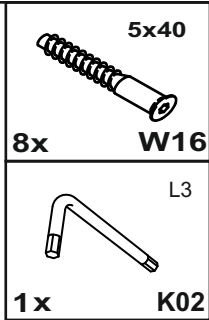
3 4 6



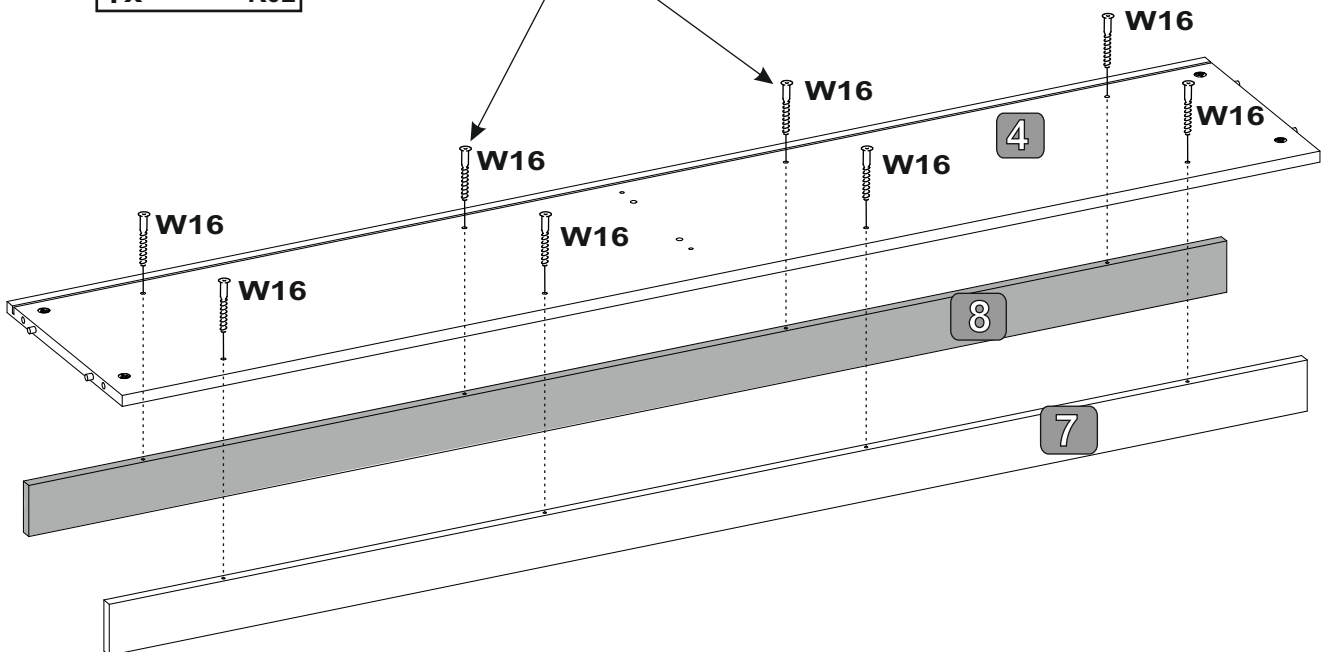
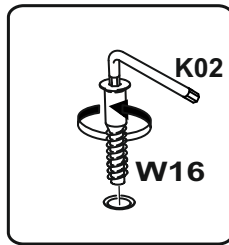
3



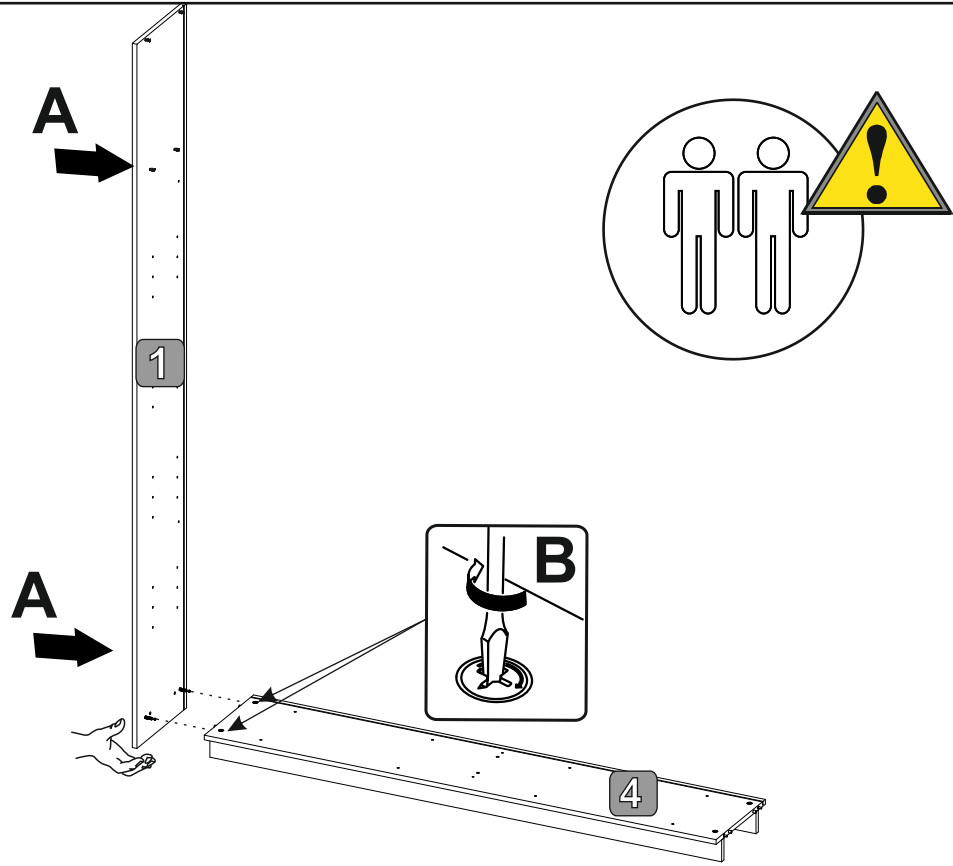
4



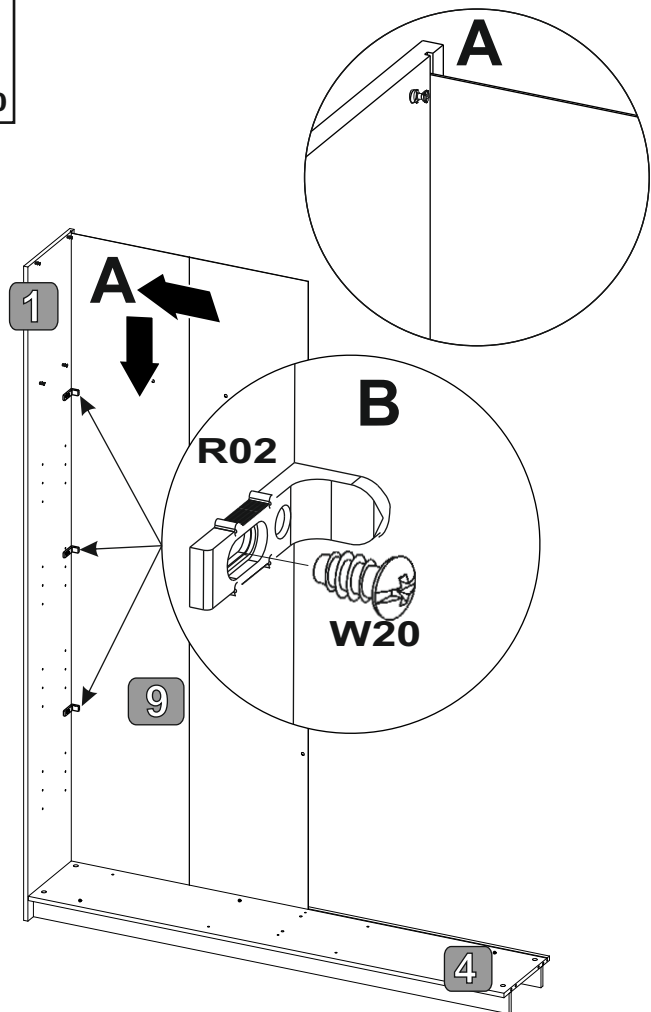
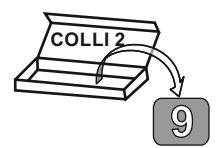
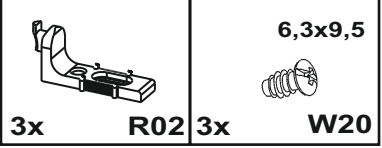
8x



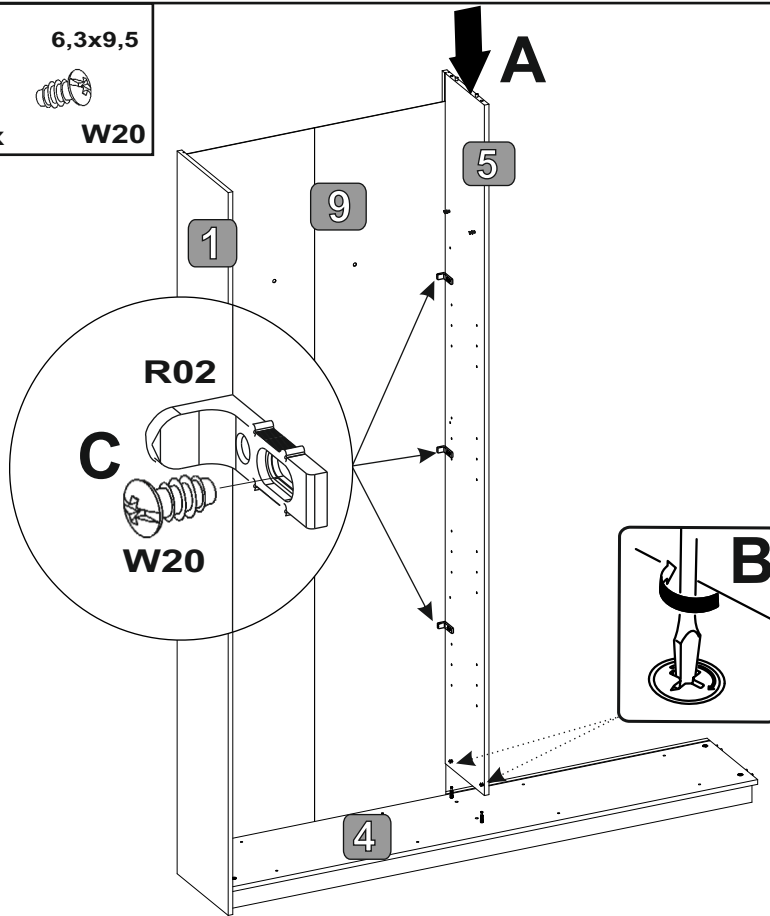
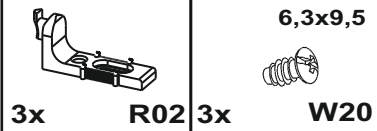
5



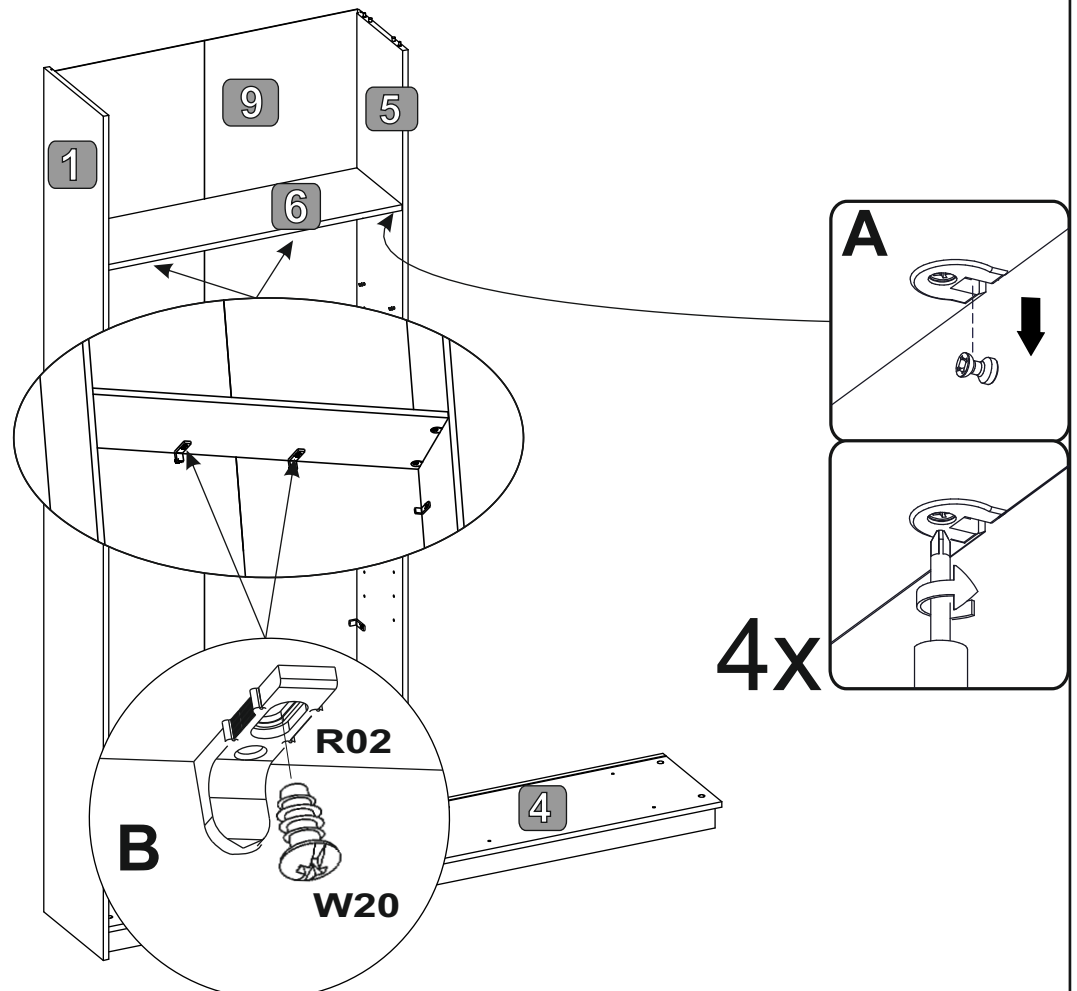
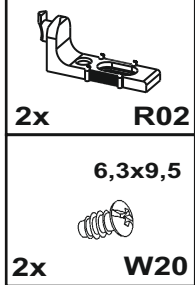
6



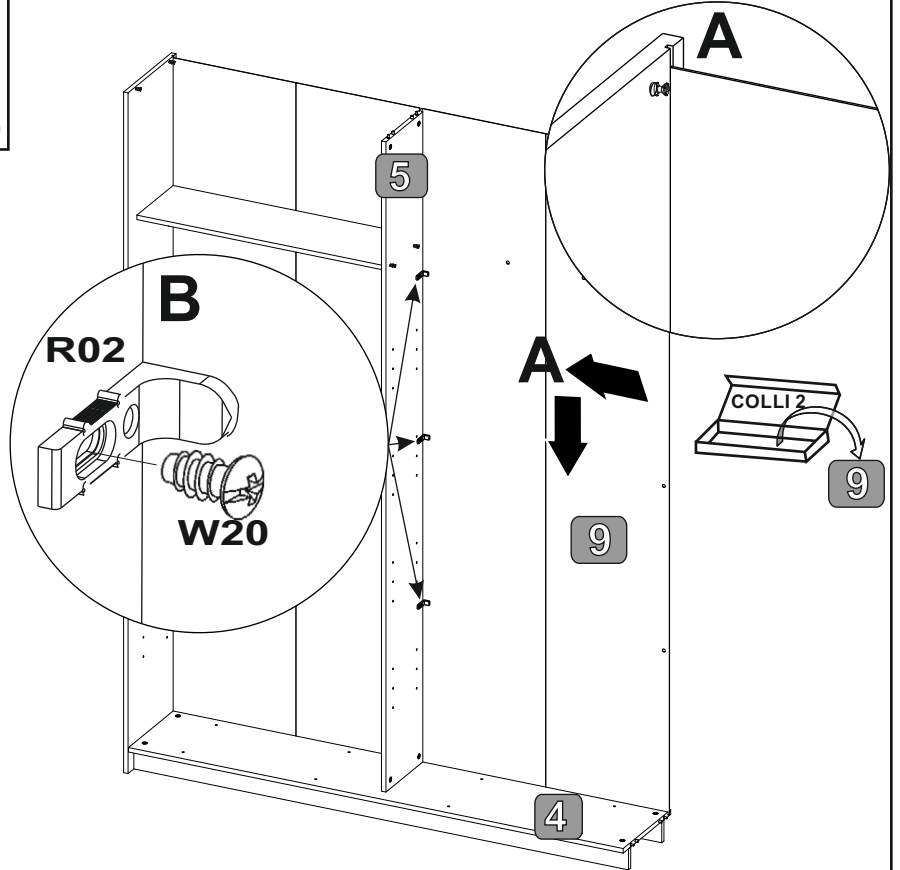
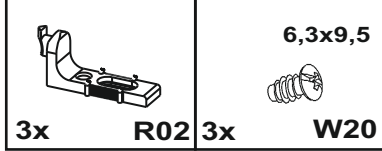
7



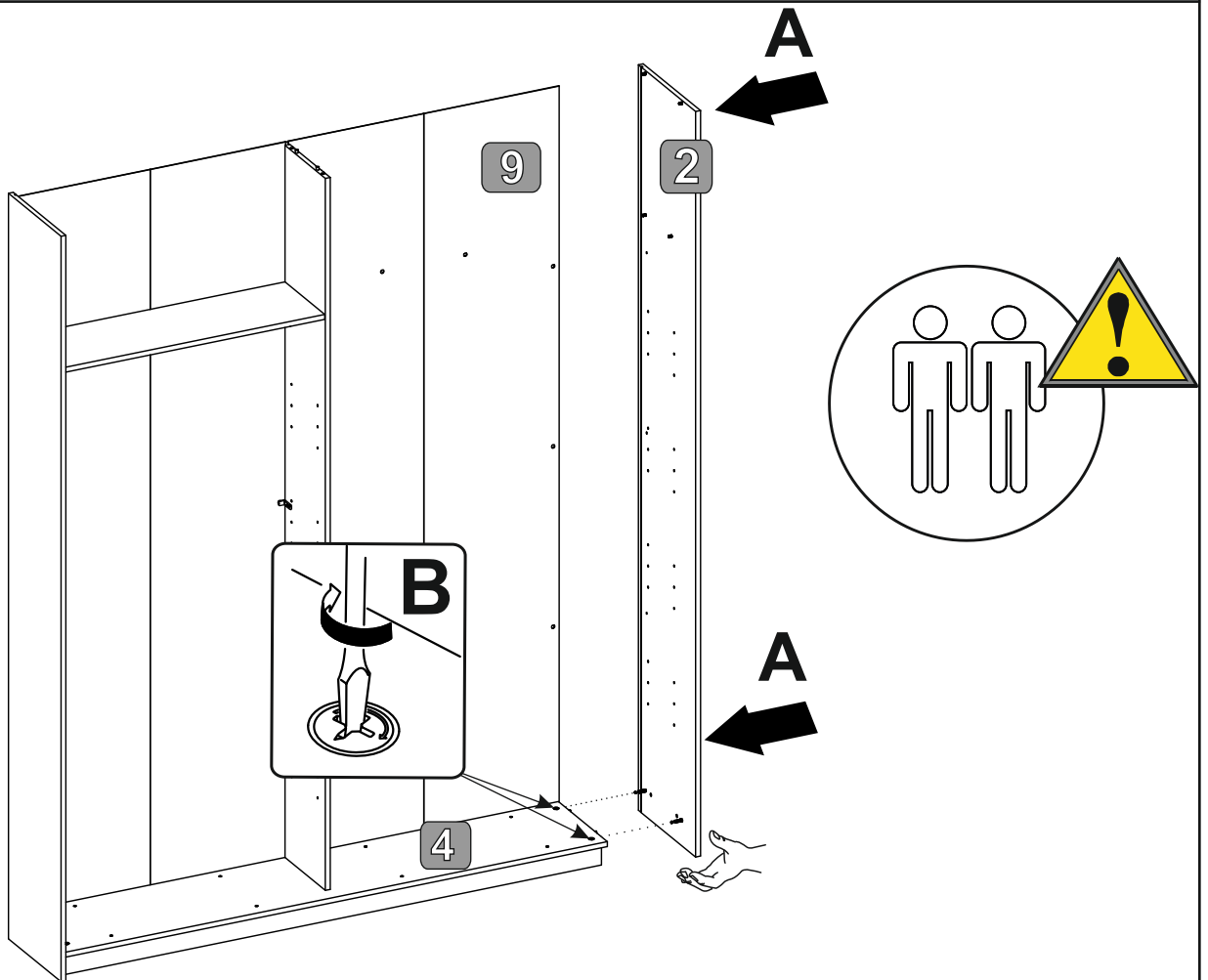
8



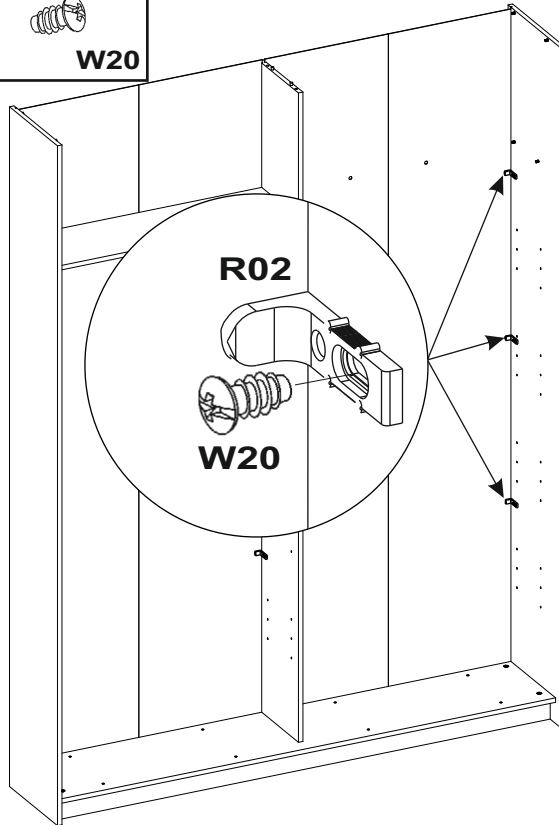
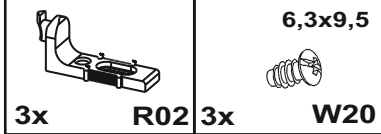
9



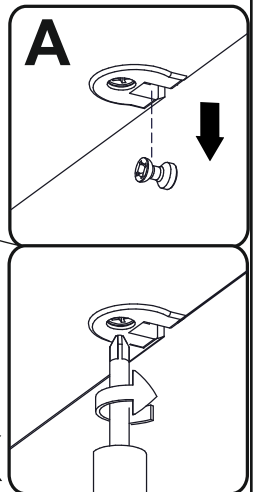
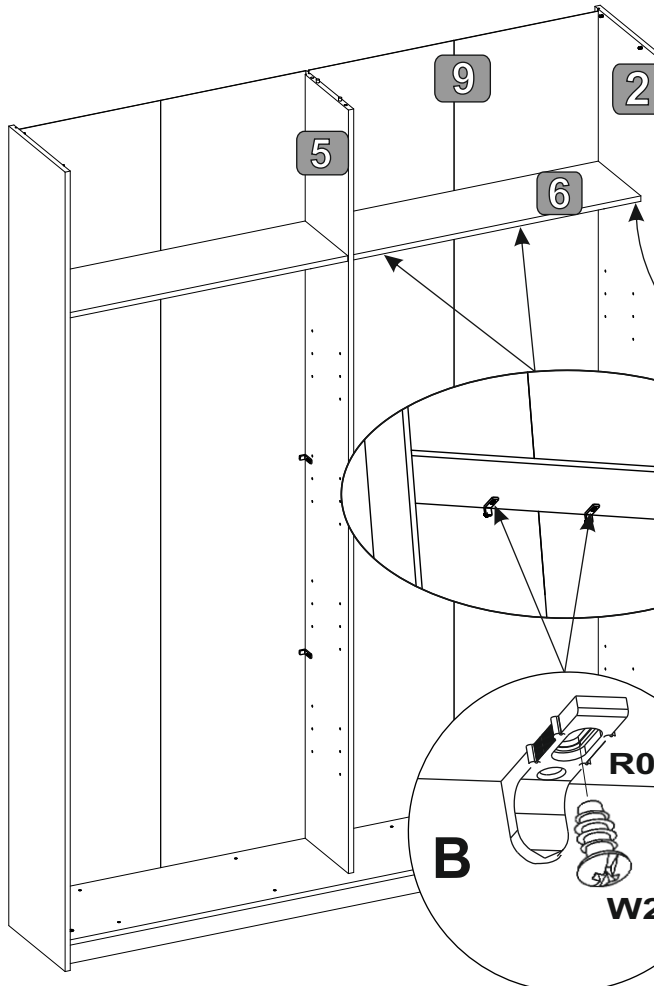
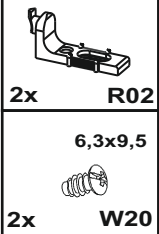
10



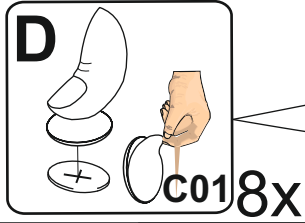
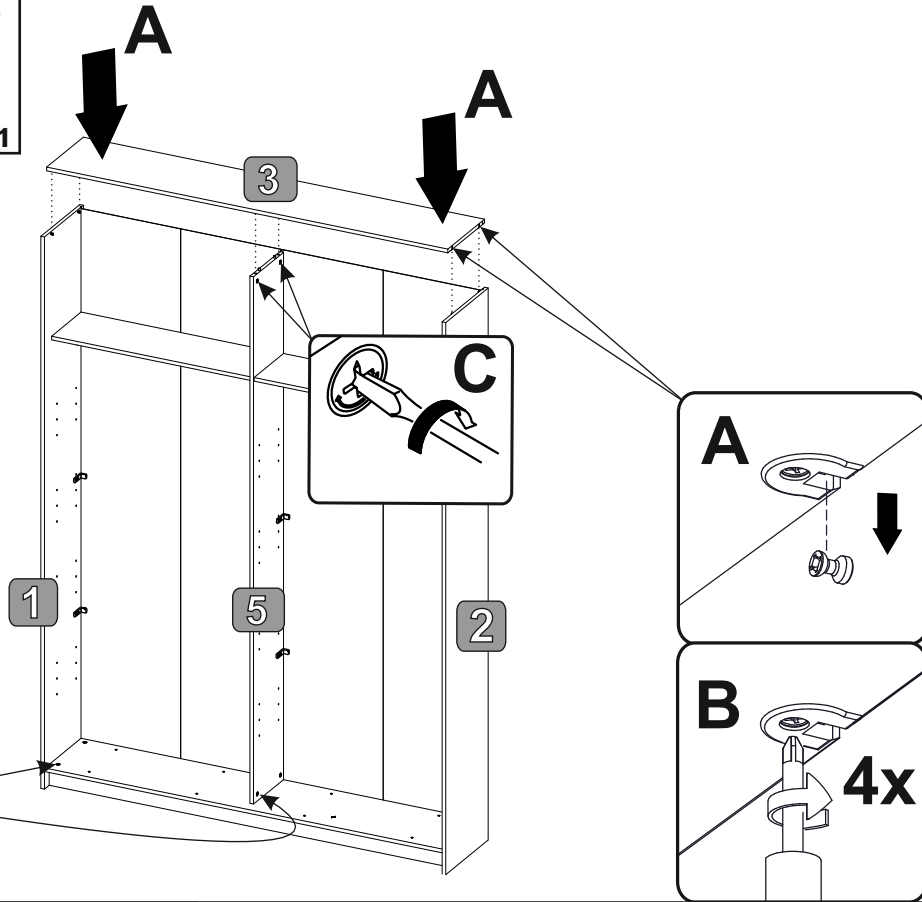
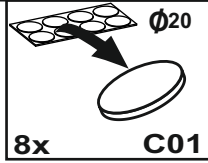
11



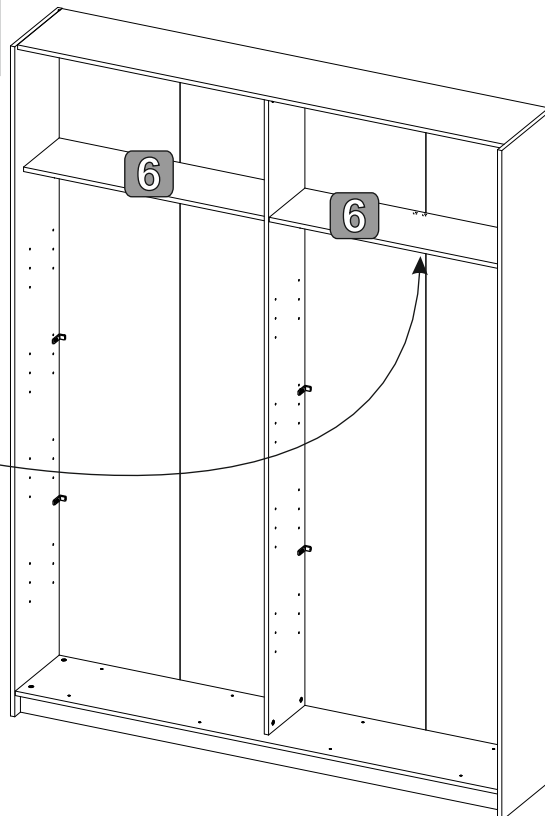
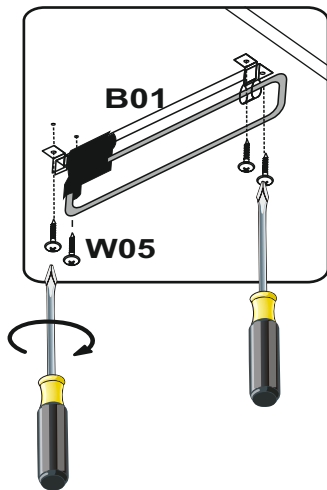
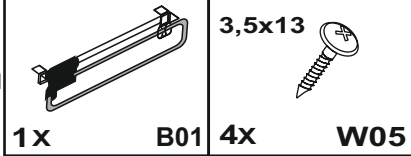
12





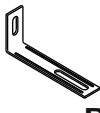
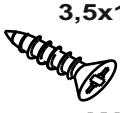

13

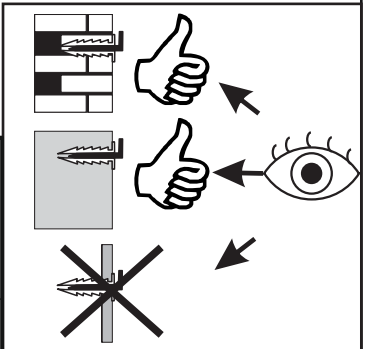
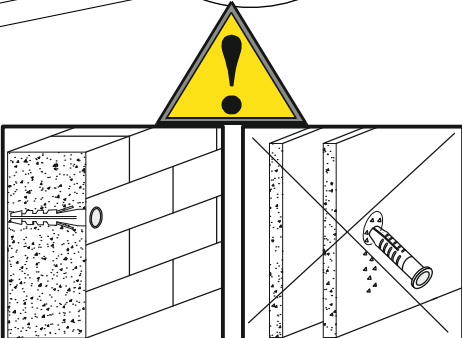
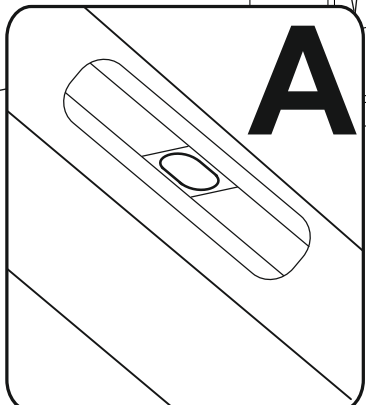
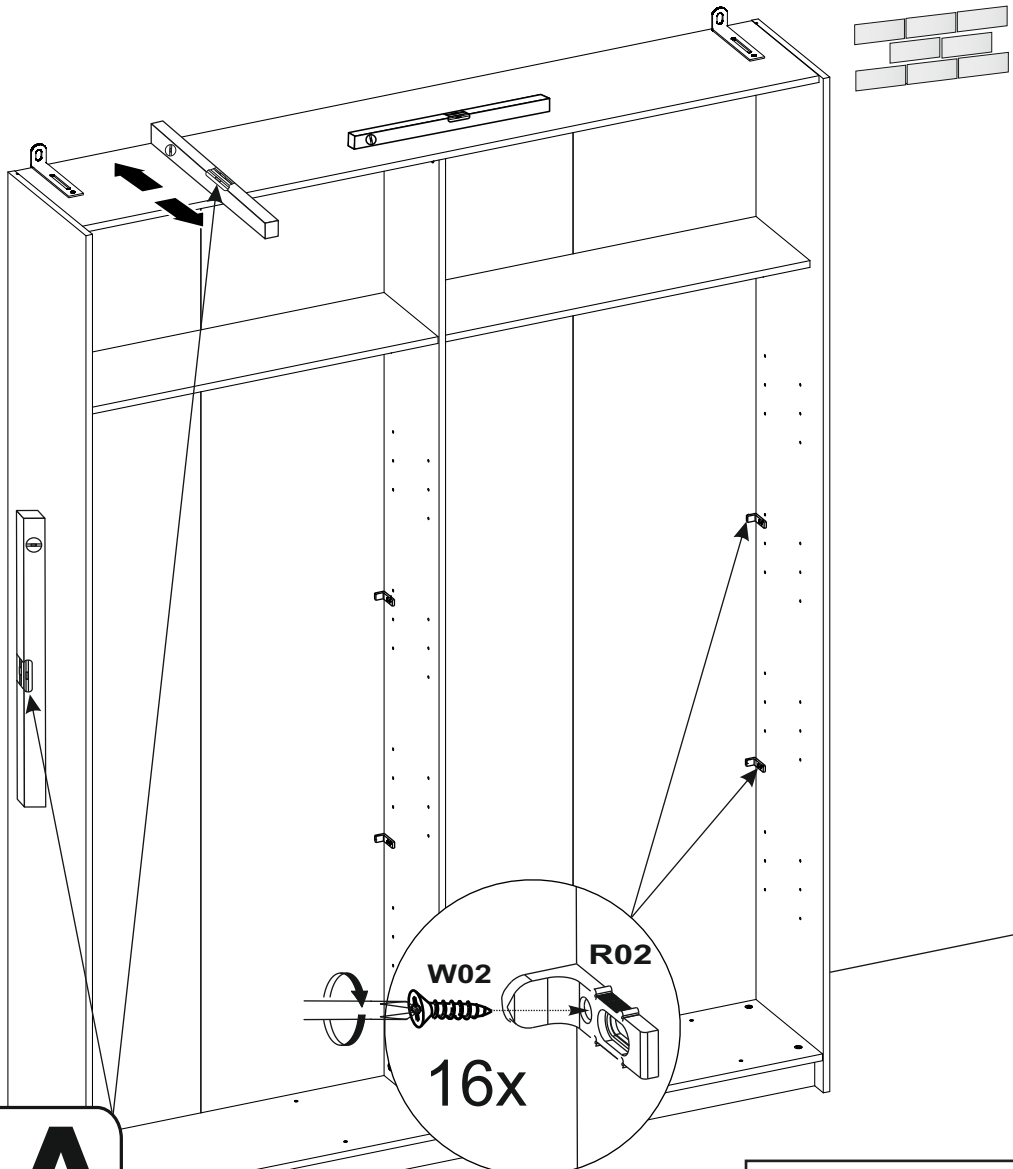
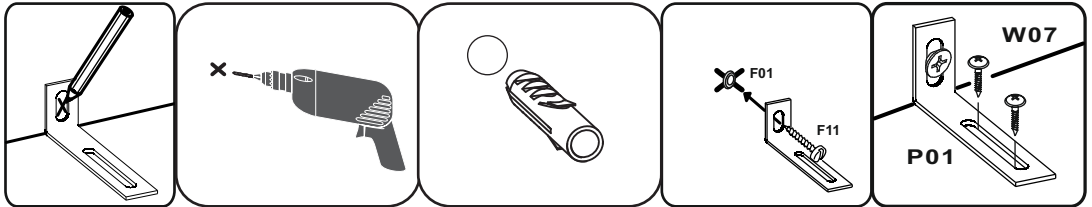


14

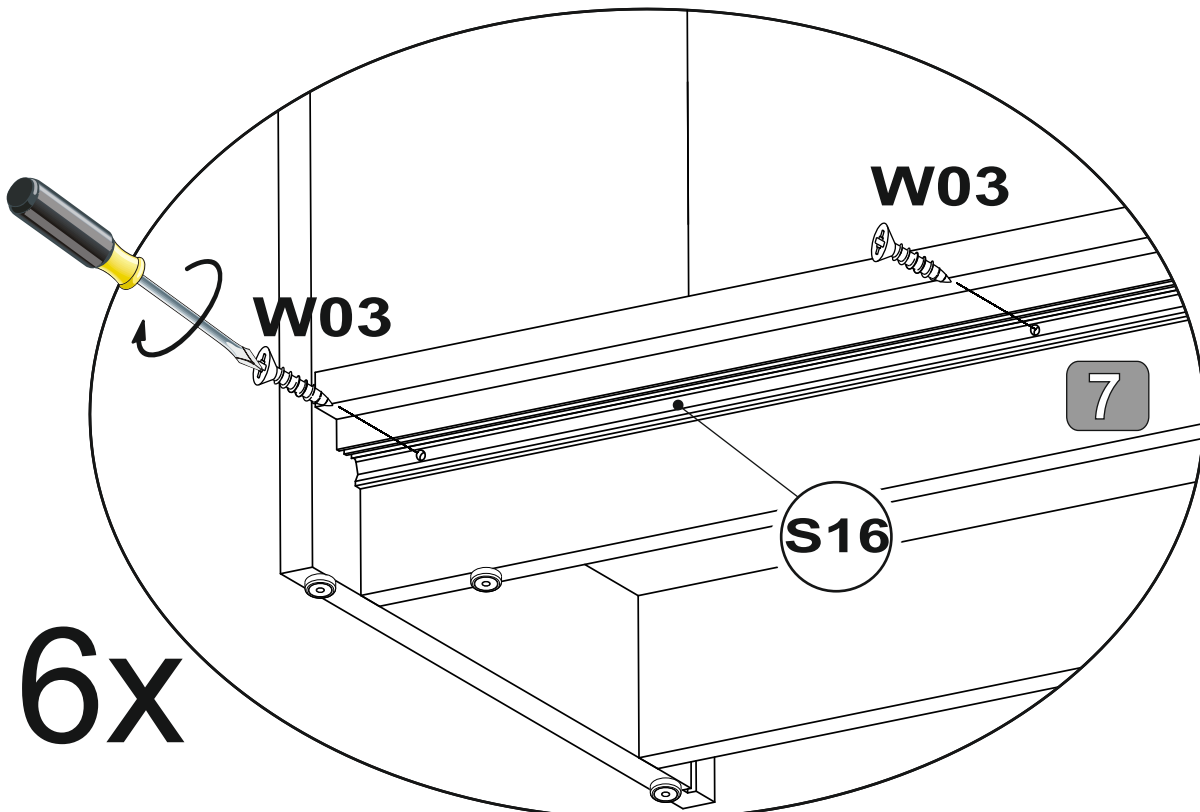
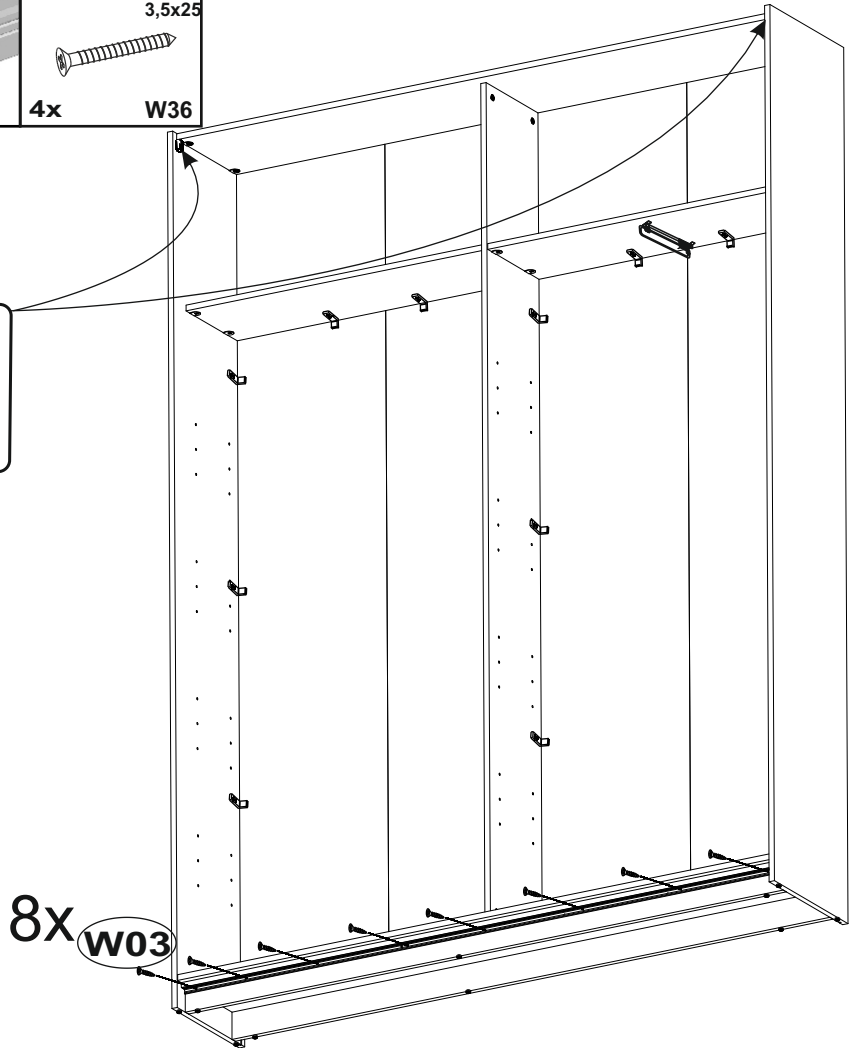
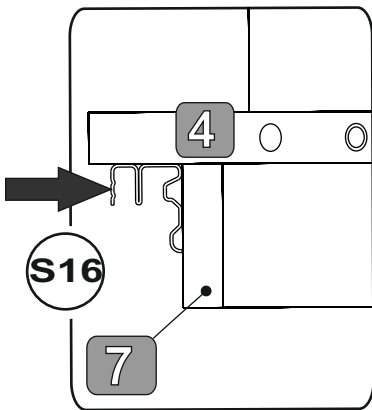
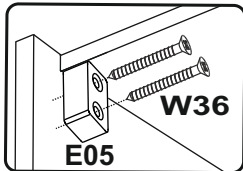
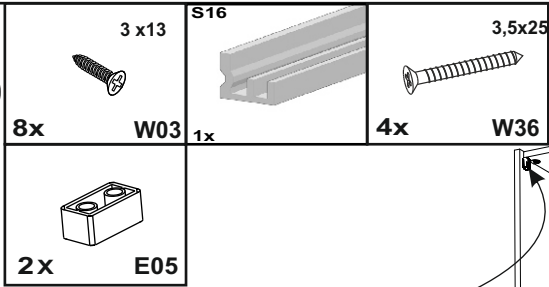


15

				
2x F11	2x F01	2x P01	16x W02	4x W07



16



6x

17

3,5x13



7x

W05

S15



1x

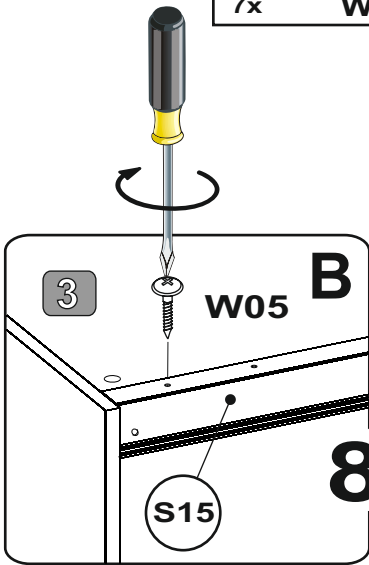
2x

E04

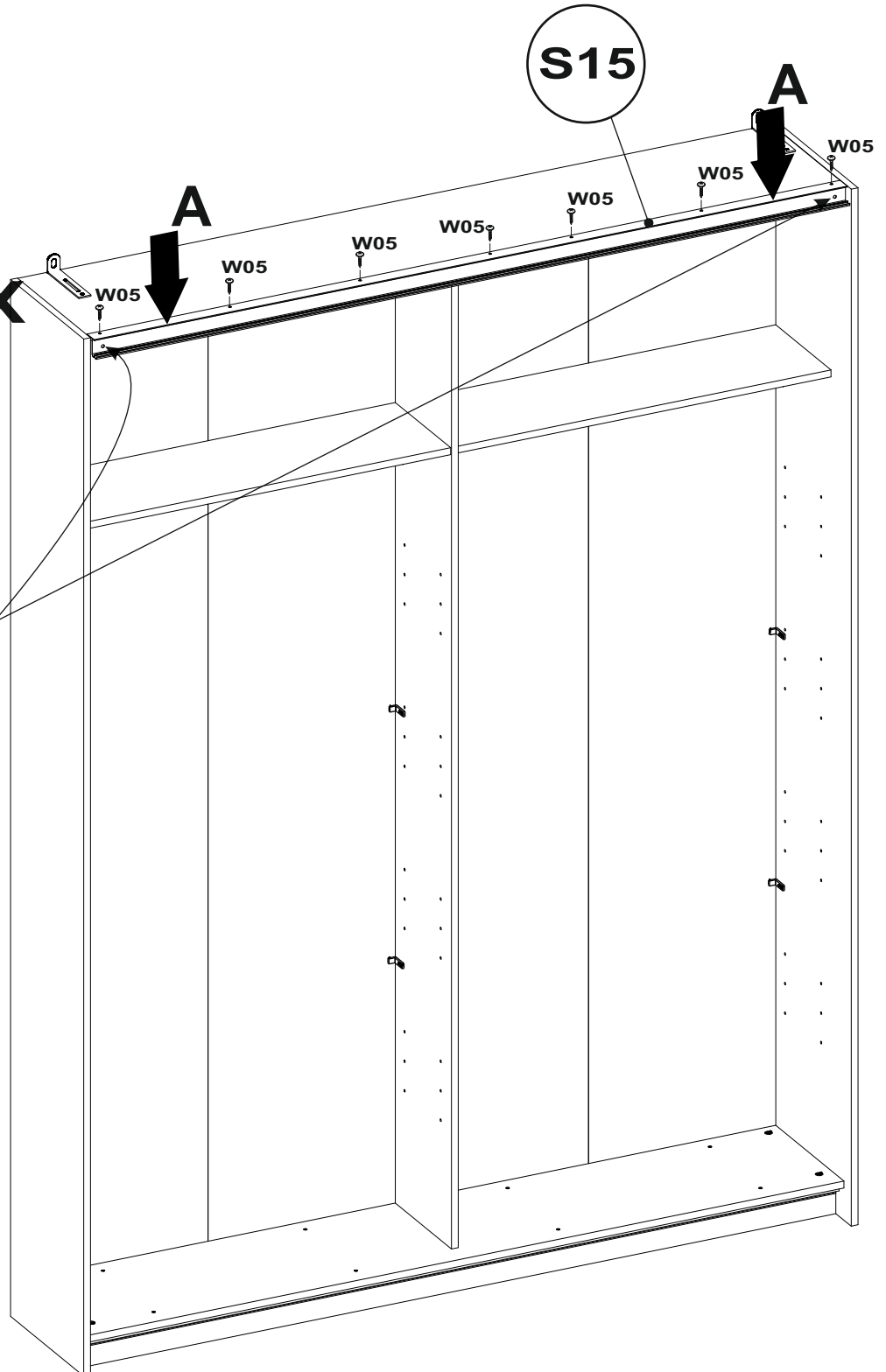
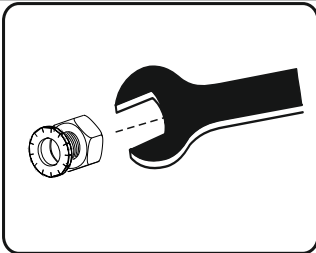
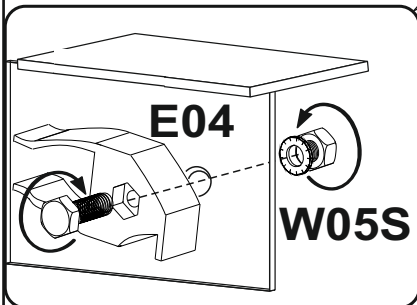


2x

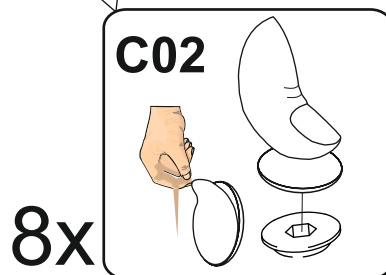
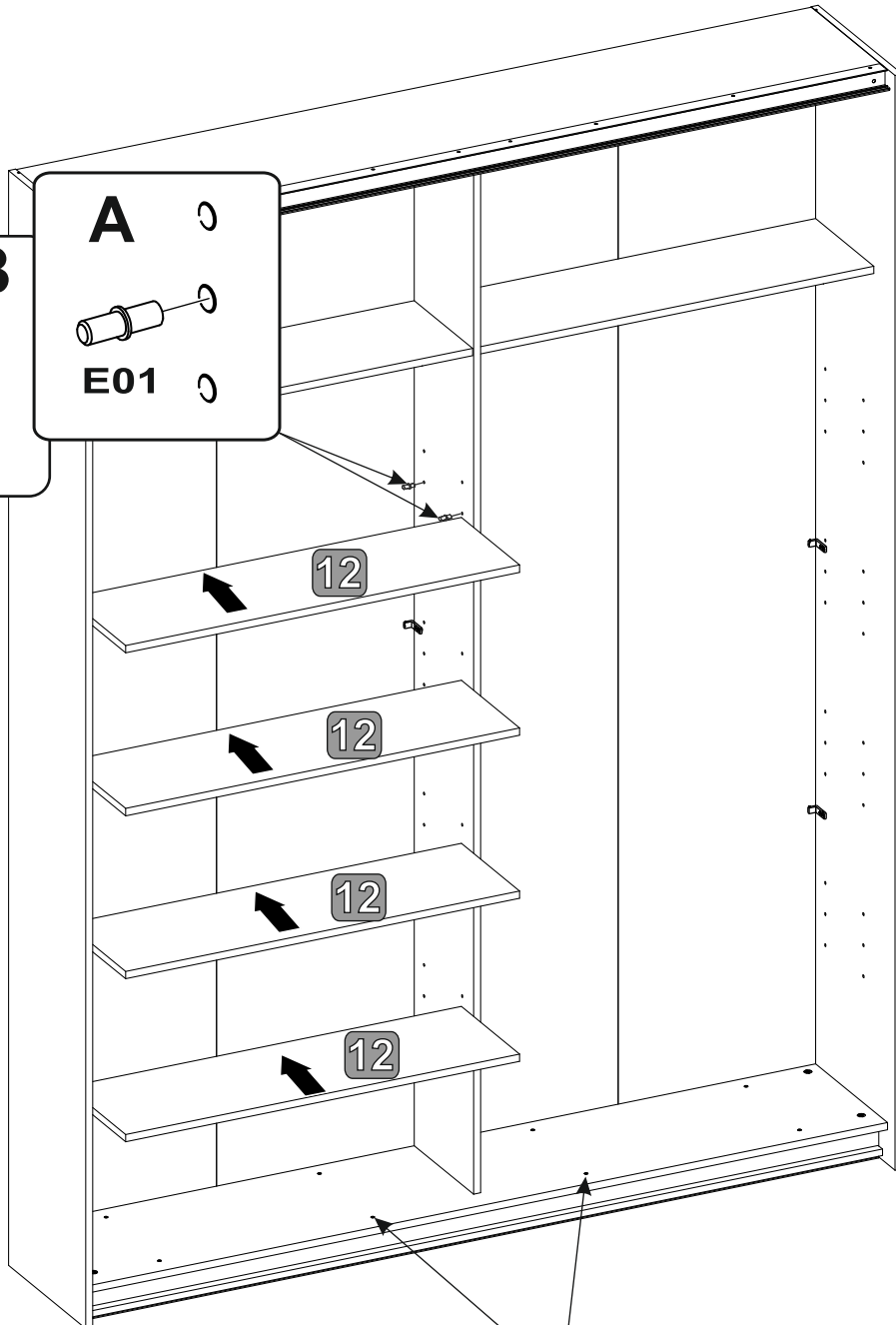
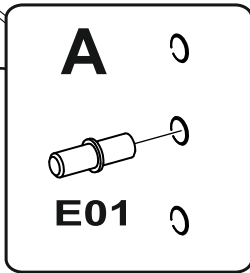
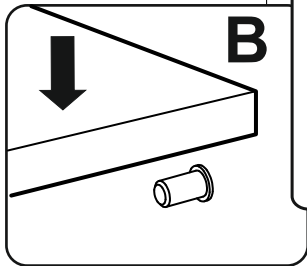
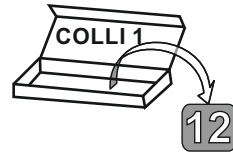
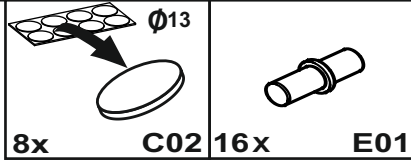
W05S



8x

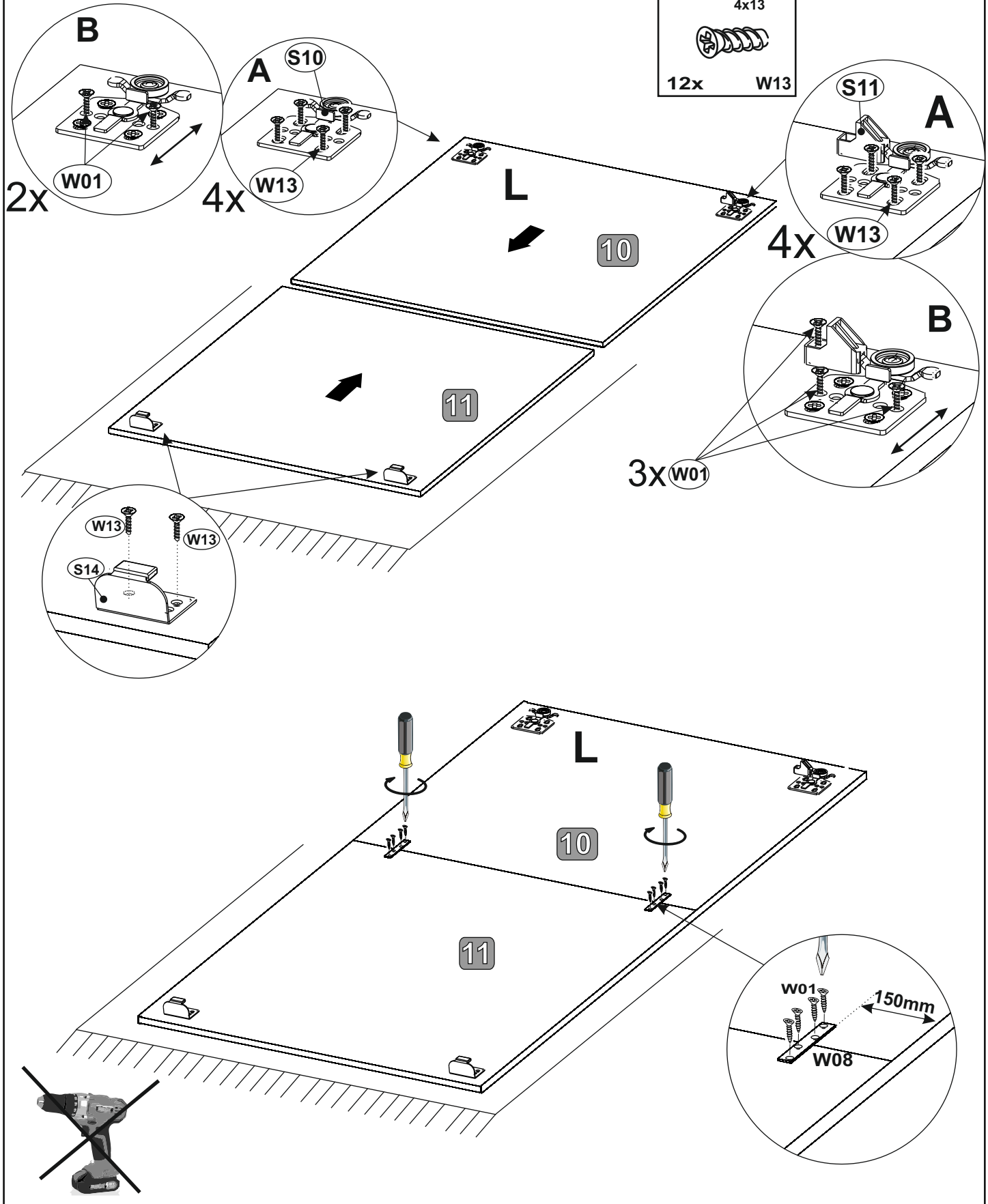


18

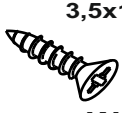
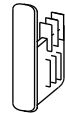
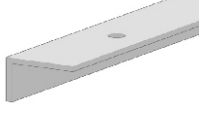



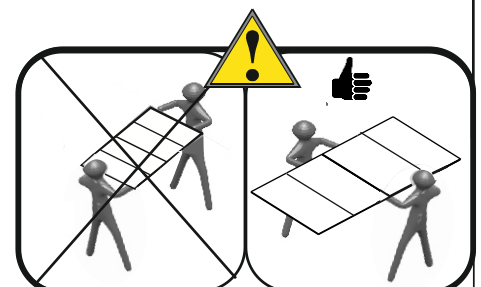
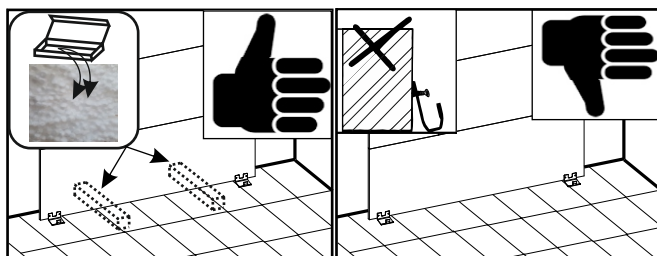
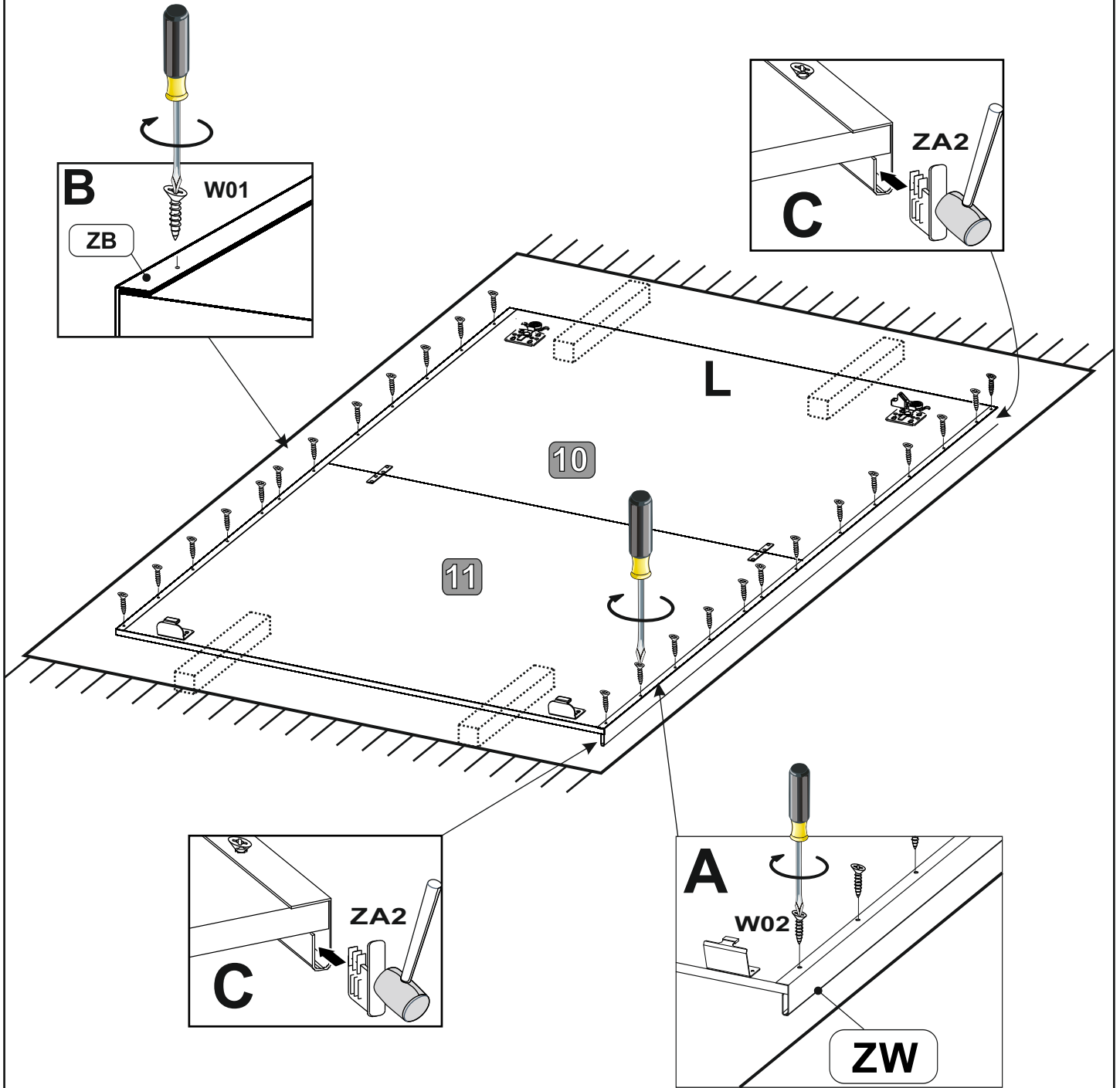
19

- 2x W08
- 1x S10
- 1x S11
- 2x S14
- 13x W01 (3,5x13)
- 12x W13 (4x13)
- COLLI 3:4
- 10 11

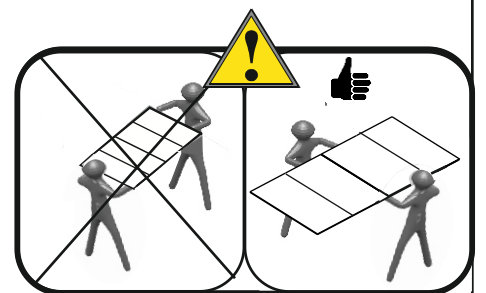
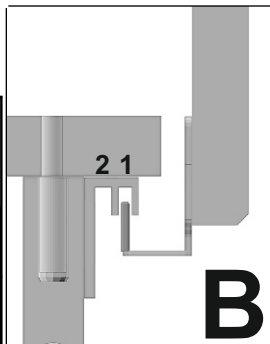
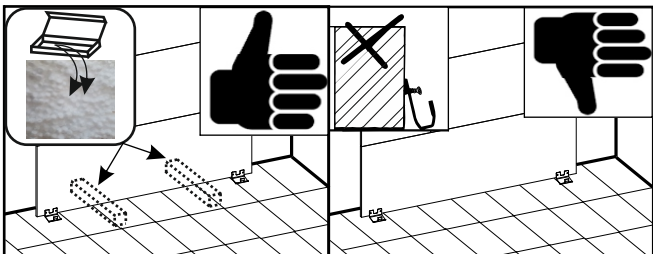
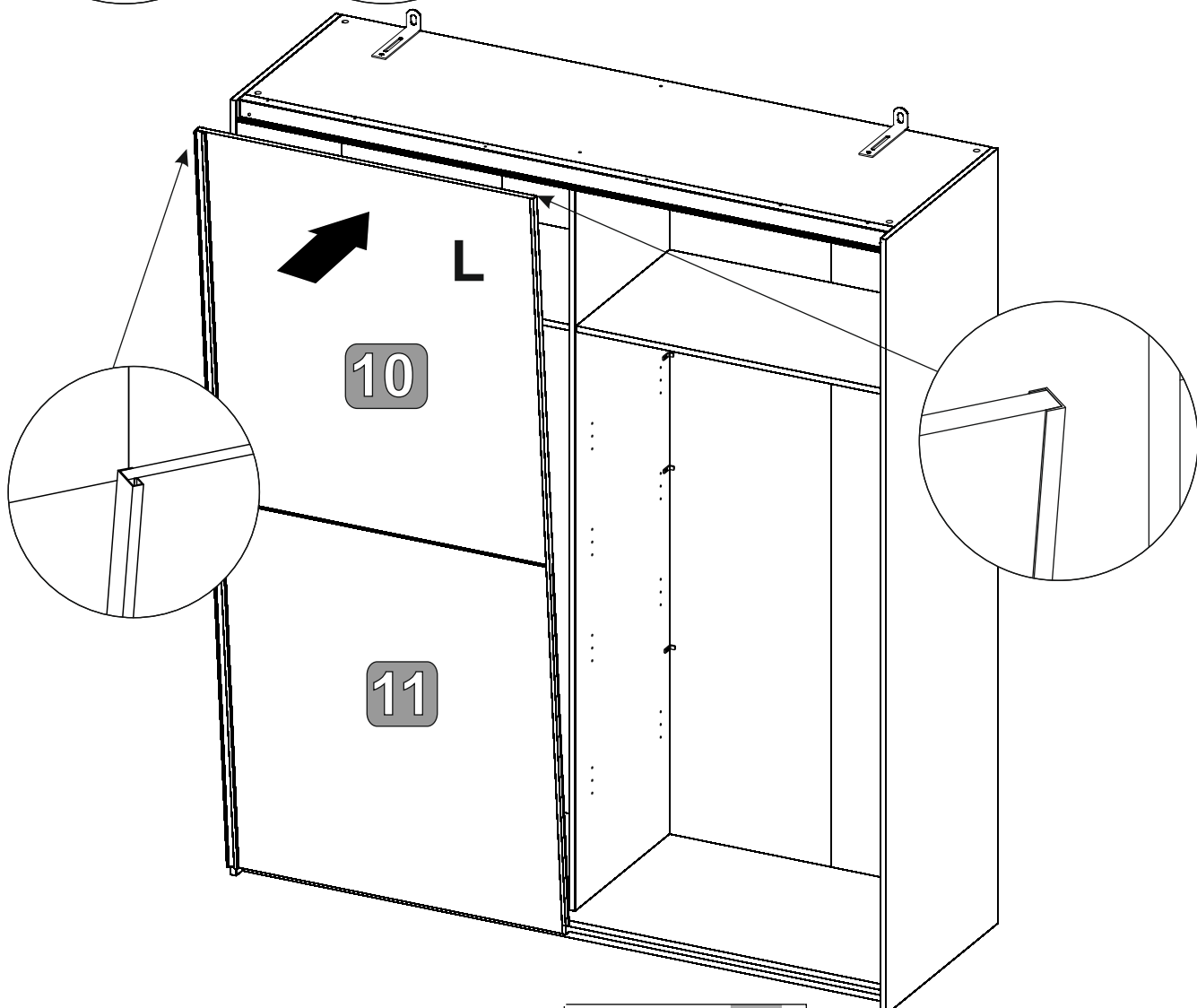
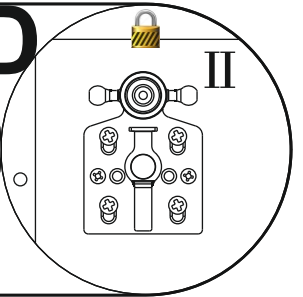
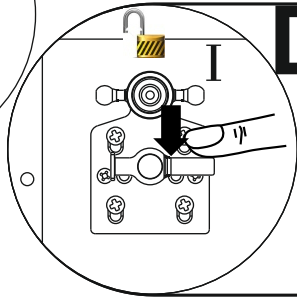
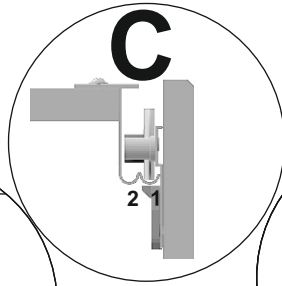
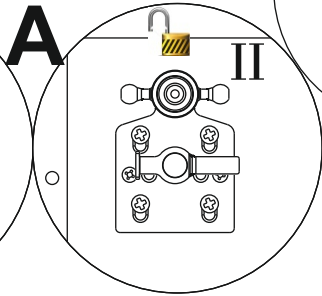
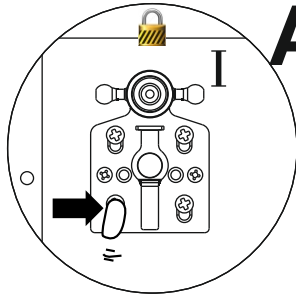


20

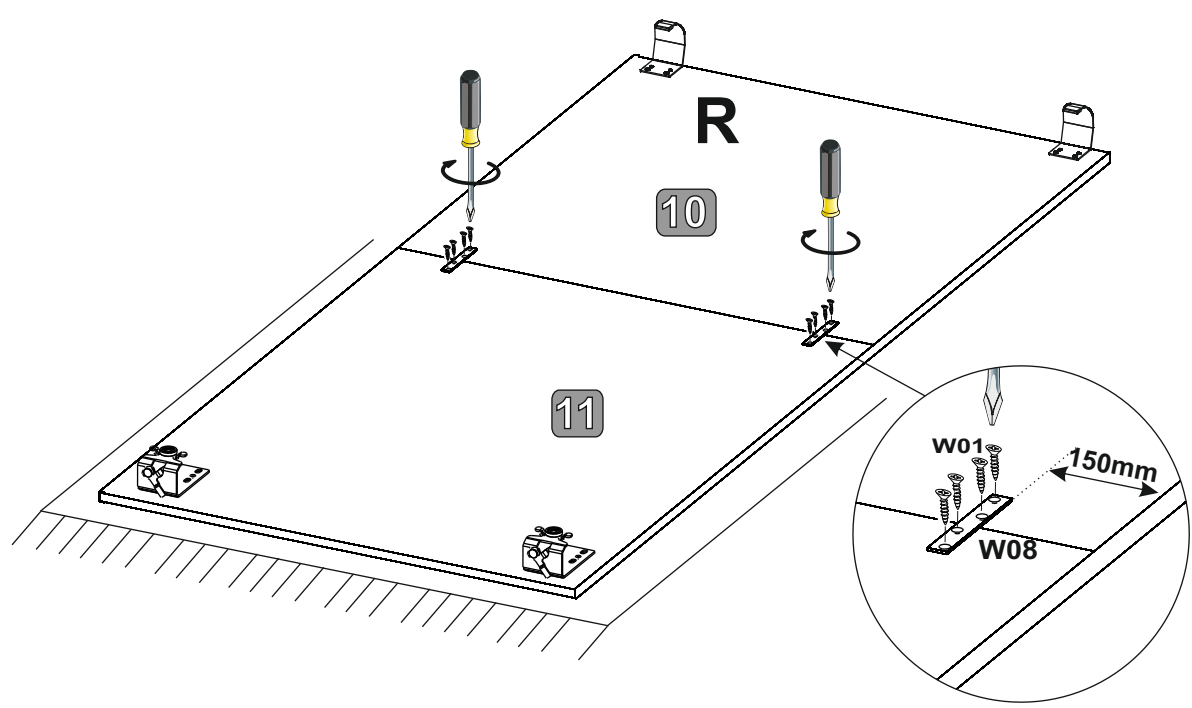
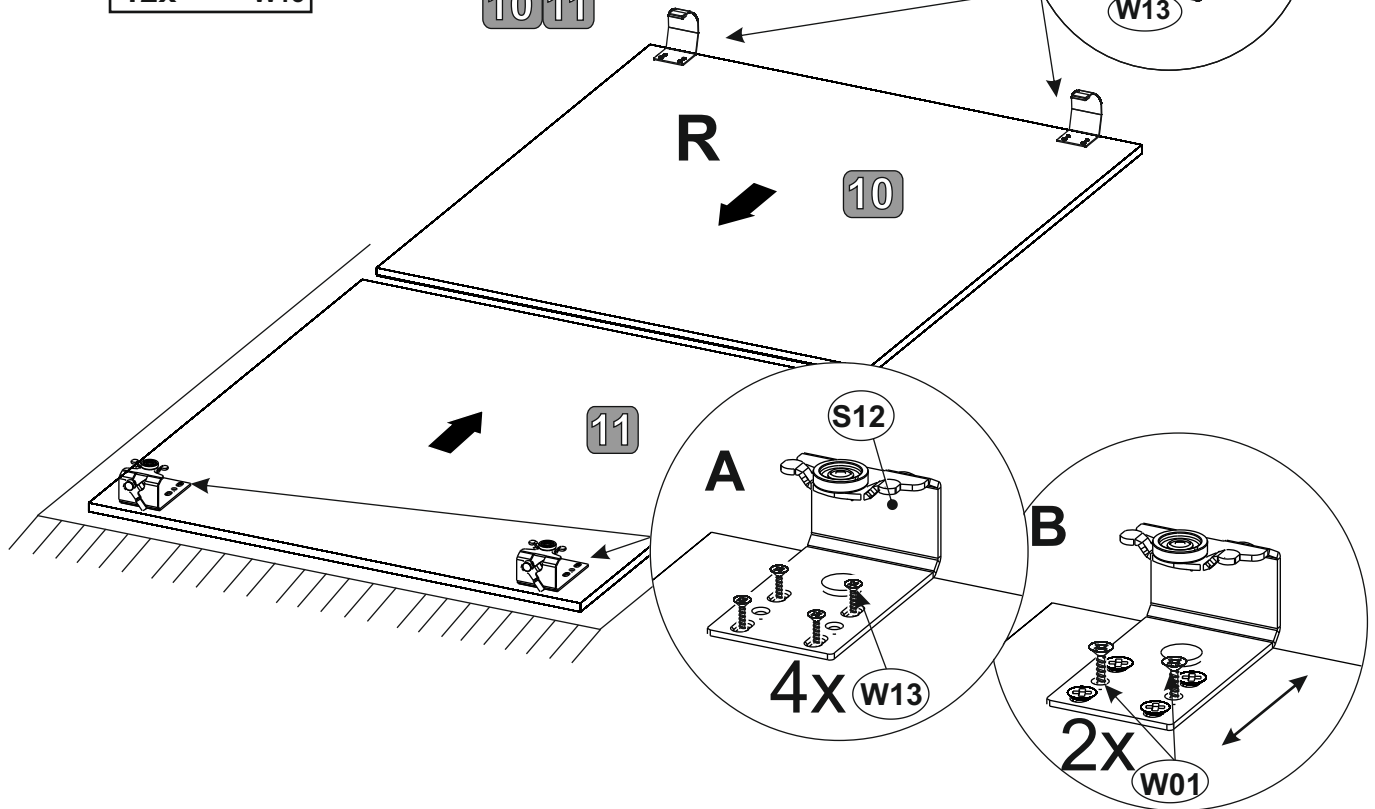
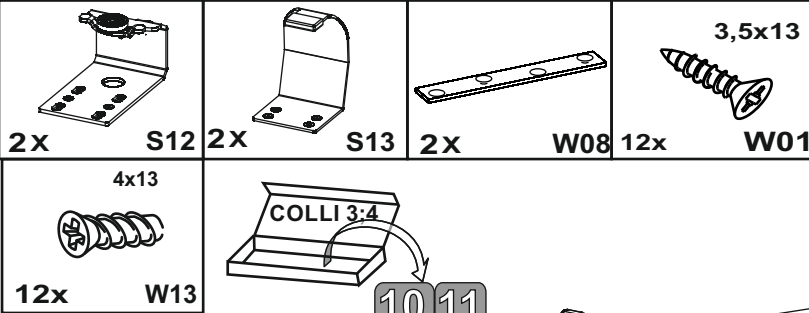
 3,5x13 W02	 H-37 ZA2	 ZB	 ZW
24x	2x	1x	1x



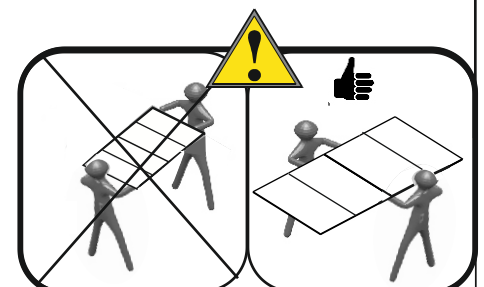
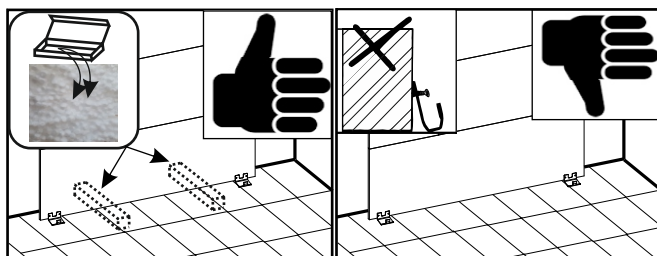
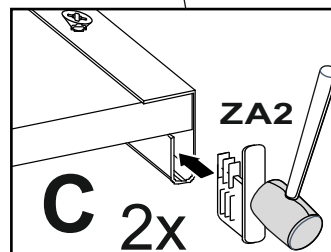
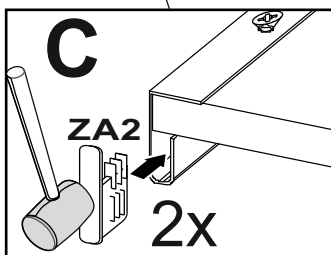
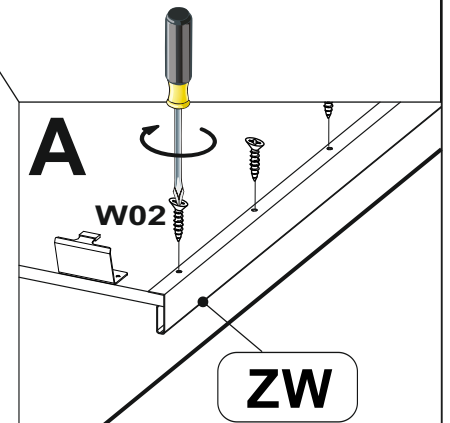
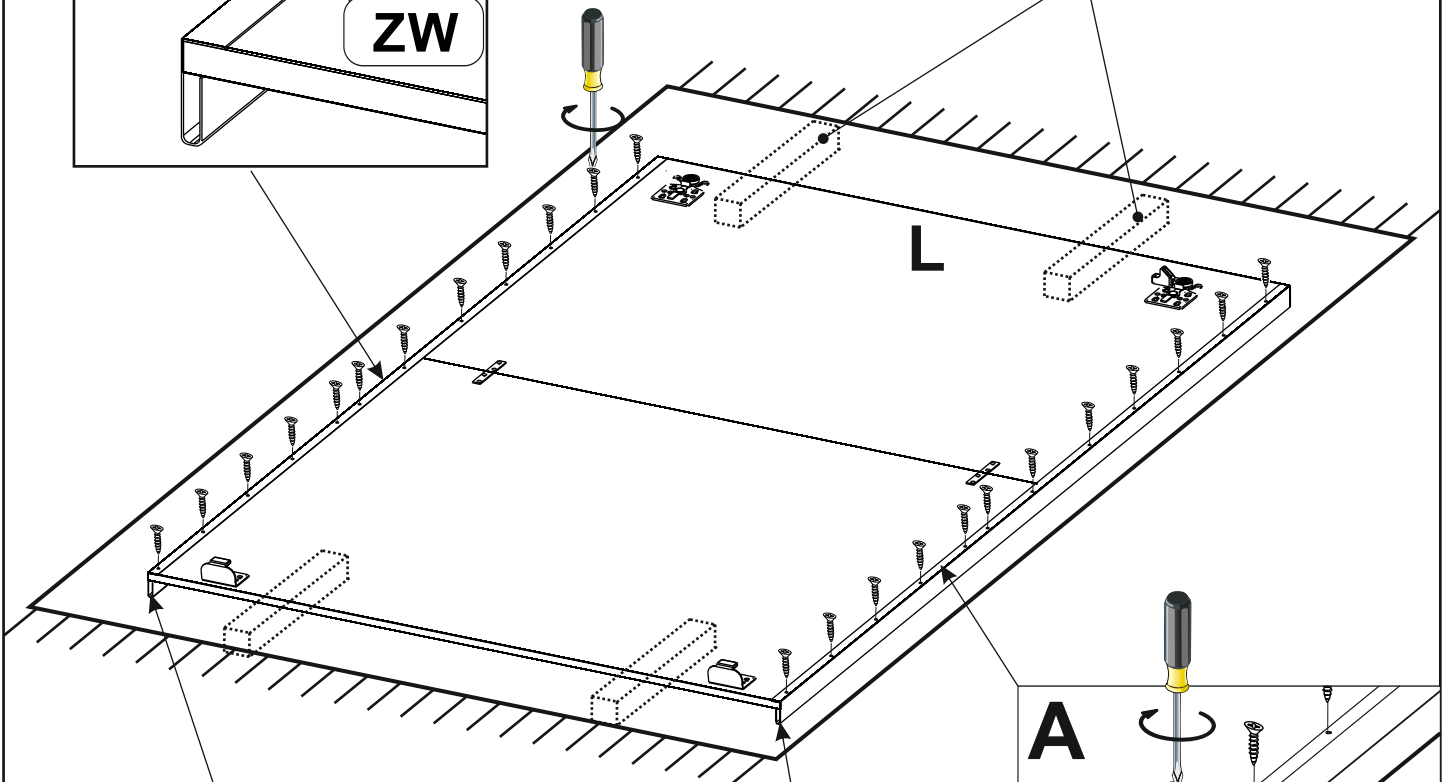
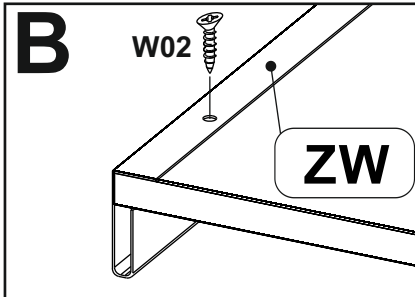
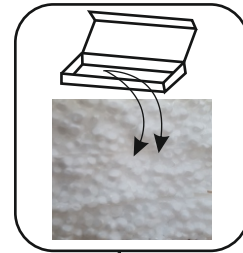
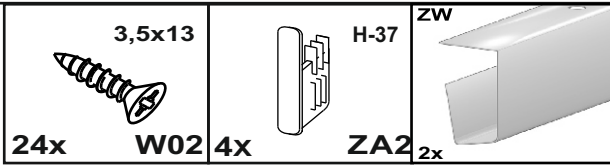
21



22



23



24

