



msi

Power Supply

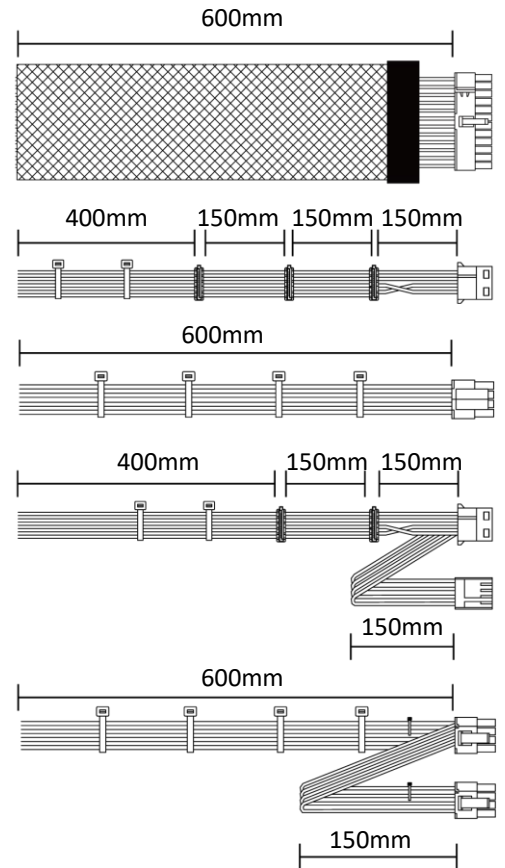
MAG A650BN



- 80 Plus Bronze Certified for High Efficiency
- 120mm Low Noise Fan
- Industrial level protection with OVP,OCP,OPP,OTP, SCP
- DC-DC Circuit Design
- Active PFC design

SPECIFICATIONS

Product Name	MAG A650BN
PSU Form Factor	ATX
Power Watt	650W
Input Voltage	100-240Vac
Input Current	115Vac/10.0A max. 230Vac/5.0A max.
Input Frequency	50Hz ~ 60Hz
Efficiency	Up to 85% (80 Plus Bronze)
Fan Type	Sleeve Bearing
Fan Size	120 mm
PFC Type	Active PFC
Protection	OCP / OVP / OPP / OTP / SCP
Dimension	150mm x 140mm x 86mm



MAG A650BN					
AC INPUT	100-240V~10-5A, 50-60Hz				
DC OUTPUT	+5V	+3.3V	+12V	-12V	+5Vsb
	20.0A	20.0A	54.0A	0.3A	2.5A
TOTAL POWER	110W		648W	3.6W	12.5W
	650W				

CONNECTOR					
ATX (20+4 PIN)	EPS (4+4 PIN)	PCI-E (6+2 PIN)	SATA	MOLEX (PERIPHERAL)	FDD
1	1	2	5	2	1