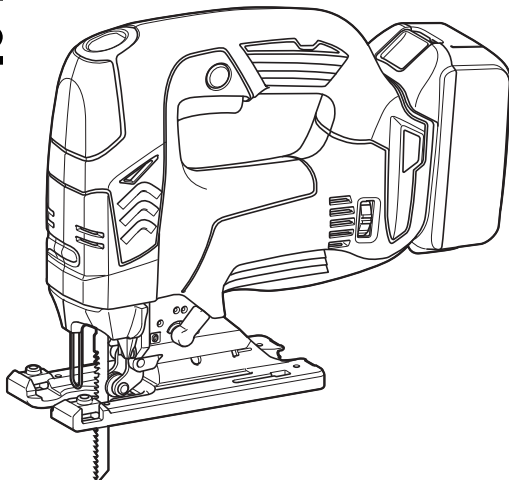




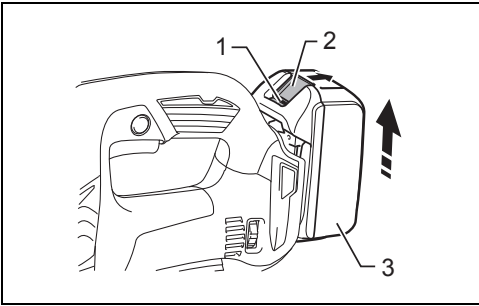
GB	Cordless Jig Saw	Instruction manual
F	Scie sauteuse sans fil	Manuel d'instructions
D	Akku-Stichsäge	Betriebsanleitung
I	Sega da traforo a batteria	Istruzioni per l'uso
NL	Accudecoupeerzaag	Gebruiksaanwijzing
E	Sierra Caladora Inalámbrica	Manual de instrucciones
P	Serra Tico-Tico a Bateria	Manual de instruções
DK	Ledningsfri stiksav	Brugsanvisning
GR	Σέγα μπαταρίας	Οδηγίες χρήσης
TR	Akülü Dekupaj Testere	Kullanım kılavuzu

DJV142
DJV182



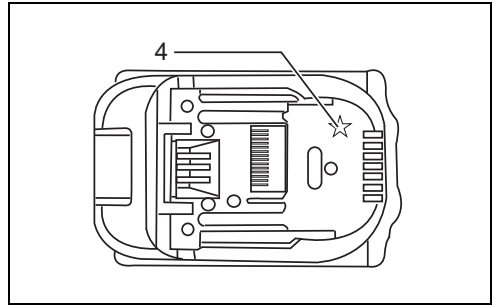
014104





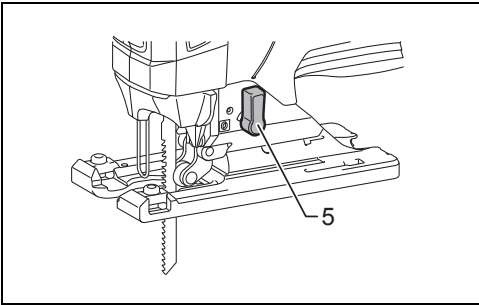
1

014154



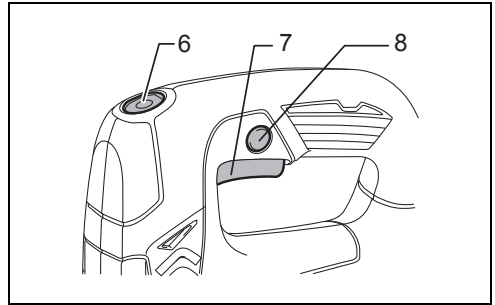
2

012128



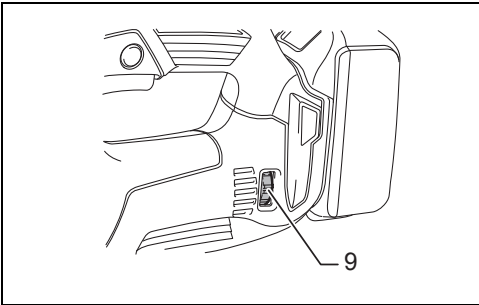
3

014105



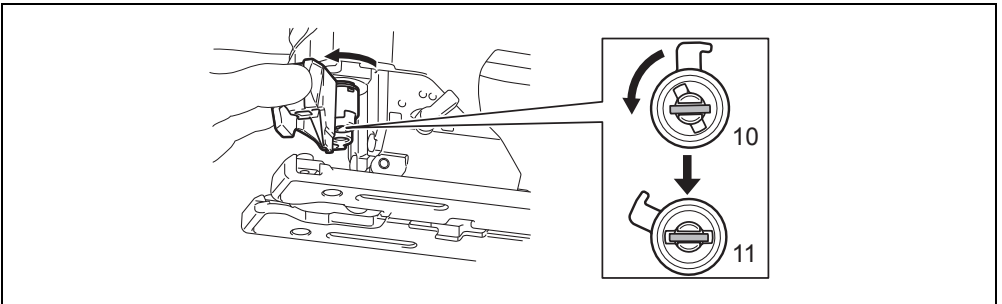
4

014106



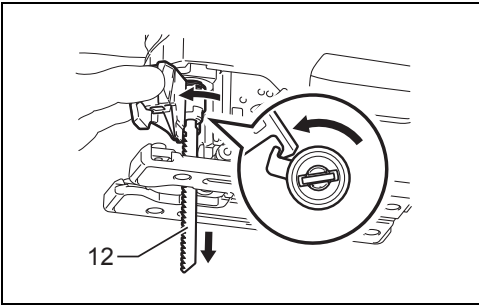
5

014107



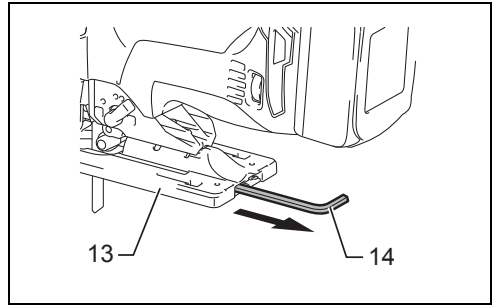
6

014120



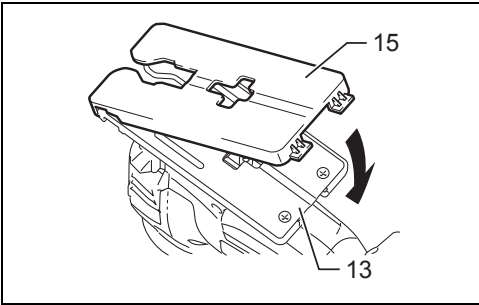
7

014119



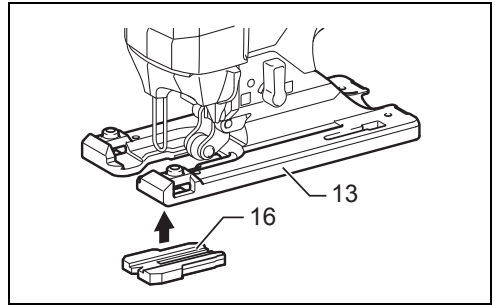
8

014109



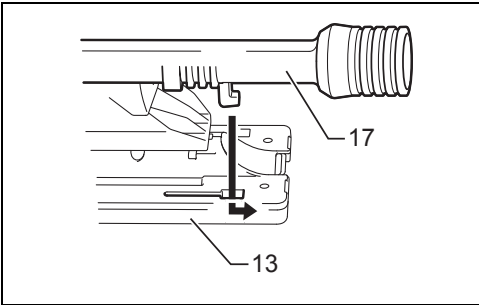
9

014127



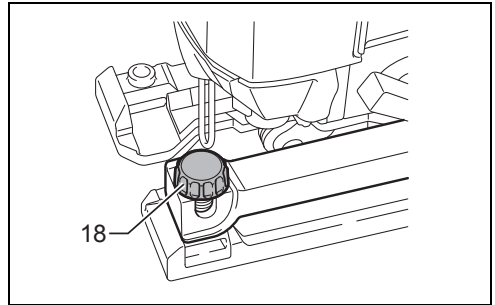
10

014121



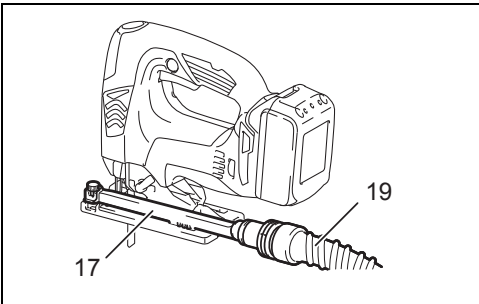
11

013878



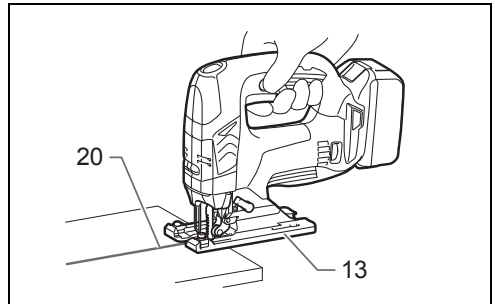
12

014122



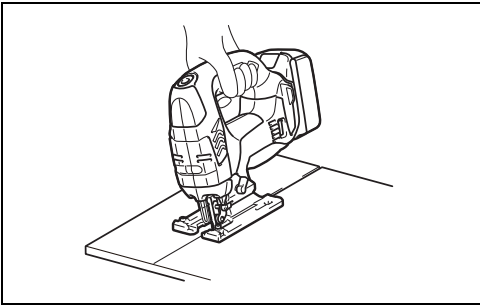
13

014117



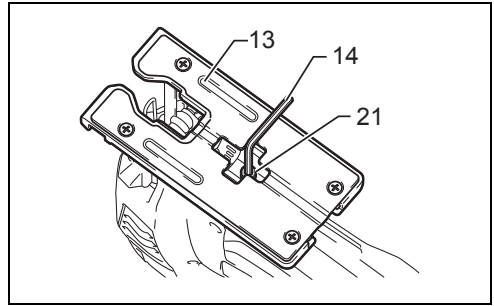
14

014110



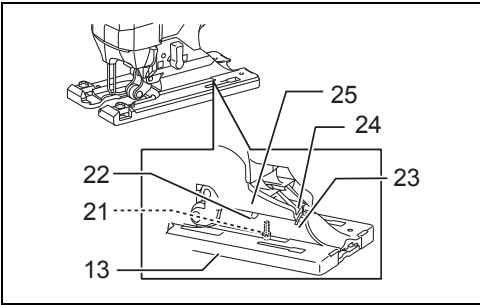
15

014111



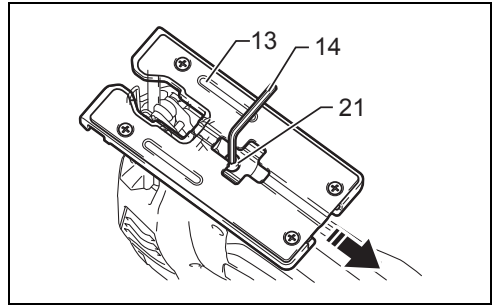
16

014112



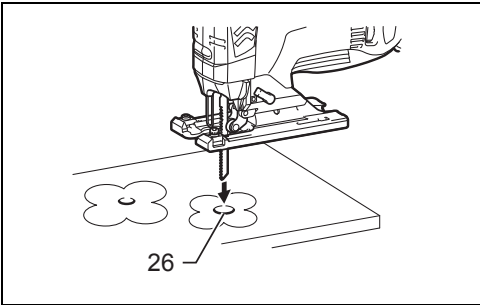
17

014123



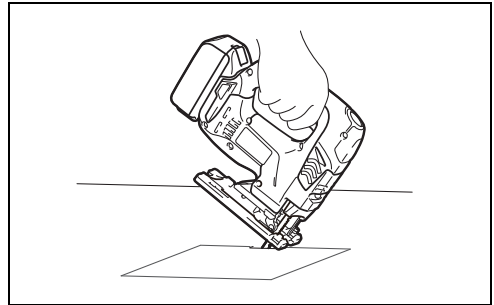
18

014113



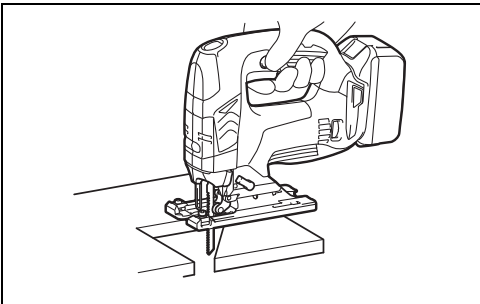
19

014114



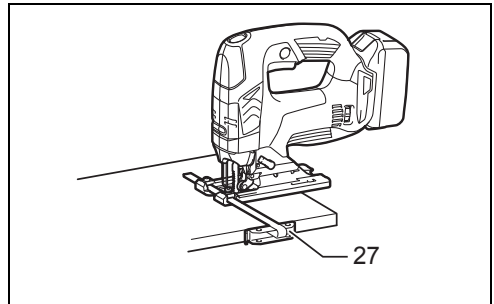
20

014115



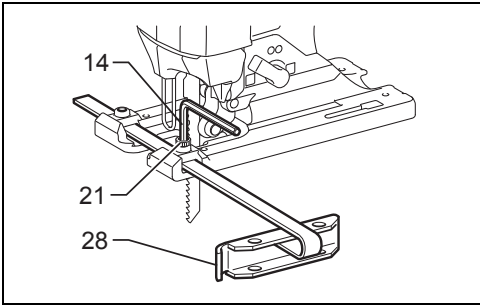
21

014116



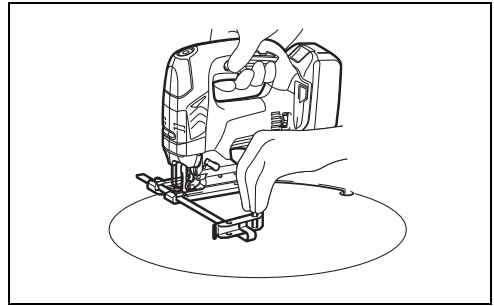
22

014151



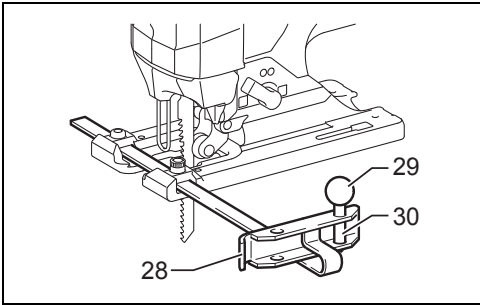
23

014124



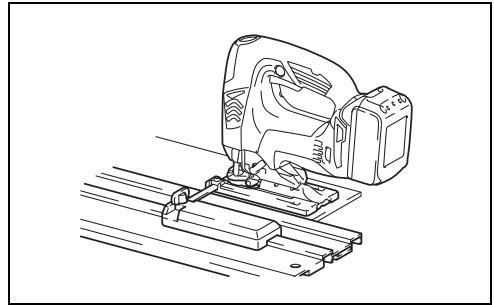
24

014152



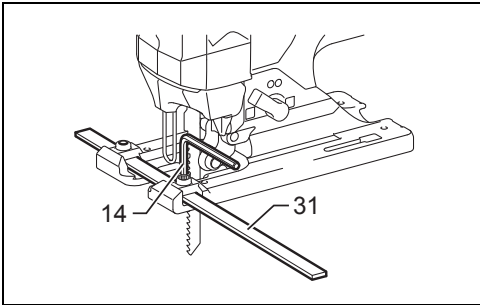
25

014125



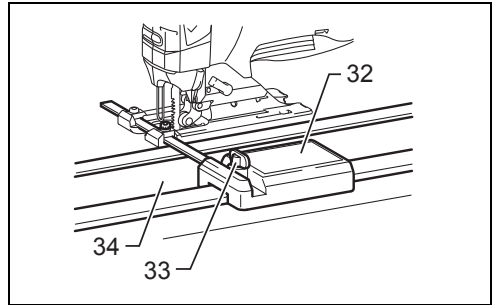
26

014118



27

014126



28

014153

ENGLISH (Original instructions)

Explanation of general view

- | | | |
|----------------------------------|-----------------------------|------------------------|
| 1. Red indicator | 13. Base | 25. Gear housing |
| 2. Button | 14. Hex wrench | 26. Starting hole |
| 3. Battery cartridge | 15. Cover plate | 27. Rip fence |
| 4. Star marking | 16. Anti-splintering device | 28. Fence guide |
| 5. Cutting action changing lever | 17. Dust nozzle | 29. Threaded knob |
| 6. Lock switch | 18. Clamp screw | 30. Circular guide pin |
| 7. Switch trigger | 19. Hose for vacuum cleaner | 31. Ruler bar |
| 8. Lock on button | 20. Cutting line | 32. Guide rail adapter |
| 9. Speed adjusting dial | 21. Bolt | 33. Screw |
| 10. Fixed position | 22. Bevel slot | 34. Guide rail |
| 11. Released position | 23. Graduations | |
| 12. Jig saw blade | 24. V-notch | |

SPECIFICATIONS

Model		DJV142	DJV182
Length of stroke		26 mm	26 mm
Max. cutting capacities	Wood	135 mm	135 mm
	Mild steel	10 mm	10 mm
	Aluminum	20 mm	20 mm
Strokes per minute (min ⁻¹)		800 - 3,500	800 - 3,500
Overall length		264 mm	266 mm
Net weight		2.5 kg	2.6 kg
Rated voltage		D.C. 14.4 V	D.C. 18 V

- Due to our continuing program of research and development, the specifications herein are subject to change without notice.
- Specifications and battery cartridge may differ from country to country.
- Weight, with battery cartridge, according to EPTA-Procedure 01/2003


Intended use

ENE019-1

The tool is intended for the sawing of wood, plastic and metal materials. As a result of the extensive accessory and saw blade program, the tool can be used for many purposes and is very well suited for curved or circular cuts.

General Power Tool Safety Warnings

GEA010-1

 **WARNING** Read all safety warnings and all instructions. Failure to follow the warnings and instructions may result in electric shock, fire and/or serious injury.

Save all warnings and instructions for future reference.

CORDLESS JIG SAW SAFETY WARNINGS

GEB045-2

1. **Hold power tool by insulated gripping surfaces, when performing an operation where the cutting accessory may contact hidden wiring.** Cutting accessory contacting a "live" wire may make exposed metal parts of the power tool "live" and could give the operator an electric shock.
2. **Use clamps or another practical way to secure and support the workpiece to a stable platform.** Holding the work by hand or against your body leaves it unstable and may lead to loss of control.
3. **Always use safety glasses or goggles. Ordinary eye or sun glasses are NOT safety glasses.**
4. **Avoid cutting nails. Inspect workpiece for any nails and remove them before operation.**
5. **Do not cut oversize workpiece.**
6. **Check for the proper clearance beyond the workpiece before cutting so that the blade will not strike the floor, workbench, etc.**
7. **Hold the tool firmly.**
8. **Make sure the blade is not contacting the workpiece before the switch is turned on.**
9. **Keep hands away from moving parts.**
10. **Do not leave the tool running. Operate the tool only when hand-held.**
11. **Always switch off and wait for the blade to come to a complete stop before removing the blade from the workpiece.**
12. **Do not touch the blade or the workpiece immediately after operation; they may be extremely hot and could burn your skin.**
13. **Do not operate the tool at no-load unnecessarily.**
14. **Some material contains chemicals which may be toxic. Take caution to prevent dust inhalation and skin contact. Follow material supplier safety data.**

15. Always use the correct dust mask/respirator for the material and application you are working with.

SAVE THESE INSTRUCTIONS.

WARNING:

DO NOT let comfort or familiarity with product (gained from repeated use) replace strict adherence to safety rules for the subject product. MISUSE or failure to follow the safety rules stated in this instruction manual may cause serious personal injury.

IMPORTANT SAFETY INSTRUCTIONS

ENC007-8

FOR BATTERY CARTRIDGE

1. Before using battery cartridge, read all instructions and cautionary markings on (1) battery charger, (2) battery, and (3) product using battery.
2. Do not disassemble battery cartridge.
3. If operating time has become excessively shorter, stop operating immediately. It may result in a risk of overheating, possible burns and even an explosion.
4. If electrolyte gets into your eyes, rinse them out with clear water and seek medical attention right away. It may result in loss of your eyesight.
5. Do not short the battery cartridge:
 - (1) Do not touch the terminals with any conductive material.
 - (2) Avoid storing battery cartridge in a container with other metal objects such as nails, coins, etc.
 - (3) Do not expose battery cartridge to water or rain.

A battery short can cause a large current flow, overheating, possible burns and even a breakdown.

6. Do not store the tool and battery cartridge in locations where the temperature may reach or exceed 50°C (122°F).
7. Do not incinerate the battery cartridge even if it is severely damaged or is completely worn out. The battery cartridge can explode in a fire.
8. Be careful not to drop or strike battery.
9. Do not use a damaged battery.
10. Follow your local regulations relating to disposal of battery.

SAVE THESE INSTRUCTIONS.

Tips for maintaining maximum battery life

1. Charge the battery cartridge before completely discharged.
Always stop tool operation and charge the battery cartridge when you notice less tool power.
2. Never recharge a fully charged battery cartridge. Overcharging shortens the battery service life.
3. Charge the battery cartridge with room temperature at 10°C - 40°C (50°F - 104°F). Let a hot battery cartridge cool down before charging it.

4. Charge the battery cartridge once in every six months if you do not use it for a long period of time.

FUNCTIONAL DESCRIPTION

CAUTION:

- Always be sure that the tool is switched off and the battery cartridge is removed before adjusting or checking function on the tool.

Installing or removing battery cartridge (Fig. 1)

CAUTION:

- Always switch off the tool before installing or removing of the battery cartridge.
- **Hold the tool and the battery cartridge firmly when installing or removing battery cartridge.** Failure to hold the tool and the battery cartridge firmly may cause them to slip off your hands and result in damage to the tool and battery cartridge and a personal injury.

To remove the battery cartridge, slide it from the tool while sliding the button on the front of the cartridge.

To install the battery cartridge, align the tongue on the battery cartridge with the groove in the housing and slip it into place. Insert it all the way until it locks in place with a little click. If you can see the red indicator on the upper side of the button, it is not locked completely.

CAUTION:

- Always install the battery cartridge fully until the red indicator cannot be seen. If not, it may accidentally fall out of the tool, causing injury to you or someone around you.
- Do not install the battery cartridge forcibly. If the cartridge does not slide in easily, it is not being inserted correctly.

Battery protection system (Lithium-ion battery with star marking) (Fig. 2)

Lithium-ion batteries with a star marking are equipped with a protection system. This system automatically cuts off power to the tool to extend battery life.

The tool will automatically stop during operation if the tool and/or battery are placed under one of the following conditions:

- Overloaded:

The tool is operated in a manner that causes it to draw an abnormally high current.

In this situation, release the switch trigger on the tool and stop the application that caused the tool to become overloaded. Then pull the switch trigger again to restart.

If the tool does not start, the battery is overheated. In this situation, let the battery cool before pulling the switch trigger again.

- Low battery voltage:

The remaining battery capacity is too low and the tool will not operate. In this situation, remove and recharge the battery.

Selecting the cutting action (Fig. 3)

This tool can be operated with an orbital or a straight line (up and down) cutting action. The orbital cutting action thrusts the blade forward on the cutting stroke and greatly increases cutting speed.

To change the cutting action, just turn the cutting action changing lever to the desired cutting action position. Refer to the table to select the appropriate cutting action.

Position	Cutting action	Applications
0	Straight line cutting action	For cutting mild steel, stainless steel and plastics. For clean cuts in wood and plywood.
I	Small orbit cutting action	For cutting mild steel, aluminum and hard wood.
II	Medium orbit cutting action	For cutting wood and plywood. For fast cutting in aluminum and mild steel.
III	Large orbit cutting action	For fast cutting in wood and plywood.

006376

Switch action

⚠ CAUTION:

- Before inserting the battery cartridge into the tool, always check to see that the switch trigger actuates properly and returns to the "OFF" position when released. (Fig. 4)

To start the tool:

Press the lock switch to turn the tool into standby mode. It turns the lamp on, too.

Pull the switch trigger to start the tool. Release the switch trigger to stop.

For continuous operation, pull the switch trigger and then push in the lock on button.

To stop the tool from the locked position, pull the switch trigger fully, and then release it.

In standby mode, press the lock switch to turn the lamp off and turn the tool into lock-off mode.

NOTE:

- The lock switch does not actuate during cutting operation.
- When the tool is in standby mode, the lamp keeps lighting.
- If the tool is left 10 seconds without any operations in standby mode, the tool is automatically turned into lock-off mode and the lamp goes off.

Lighting up the lamps

⚠ CAUTION:

- Do not look in the lamp or see the source of lamp directly.

To turn on the lamp, press the lock switch.

To turn off the lamp within 10 seconds, press the lock switch again.

NOTE:

- Use a dry cloth to wipe the dirt off the lens of lamp. Be careful not to scratch the lens of lamp, or it may lower the illumination.

- When the tool is overheated, the lamp flickers. Cool down the tool fully before operating again.

Speed adjusting dial (Fig. 5)

The tool speed can be infinitely adjusted by turning the speed adjusting dial. You can get the highest speed at 6 and the lowest speed at 1.

Refer to the table to select the proper speed for the workpiece to be cut. However, the appropriate speed may differ with the type or thickness of the workpiece. In general, higher speeds will allow you to cut workpieces faster but the service life of the blade will be reduced.

Workpiece to be cut	Number on adjusting dial
Wood	4 - 6
Mild steel	3 - 6
Stainless steel	3 - 4
Aluminum	3 - 6
Plastics	1 - 4

013925

⚠ CAUTION:

- The speed adjusting dial can be turned only as far as 6 and back to 1. Do not force it past 6 or 1, or the speed adjusting function may no longer work.

NOTE:

- When the speed adjusting dial is at 3 or higher, the tool automatically reduces the no-load speed to reduce the vibration under no-load. Once the tool gets load, the tool speed reaches the preset speed. Then the tool keeps the speed until the tool is switched off. When temperature is low and there is less fluidity in grease, the tool may not have this function even with the motor rotating.

ASSEMBLY

⚠ CAUTION:

- Always be sure that the tool is switched off and the battery cartridge is removed before carrying out any work on the tool.

Installing or removing saw blade

⚠ CAUTION:

- Always clean out all chips or foreign matter adhering to the blade and/or blade holder. Failure to do so may cause insufficient tightening of the blade, resulting in a serious personal injury.
- Do not touch the blade or the workpiece immediately after operation; they may be extremely hot and could burn your skin.
- Tighten the saw blade securely. Failure to do so may cause a serious injury.
- When you remove the saw blade, be careful not to hurt your fingers with the top of the blade or the tips of workpiece. (Fig. 6)

Before installing the blade, make sure that the blade holder is in the released position.

To install the blade, insert the blade (teeth facing forward) into the blade holder until it latches. The blade holder moves to the fixed position by itself and the blade is

locked. Pull the blade lightly to make sure that the blade does not fall off during operation.

CAUTION:

- Do not open the tool opener excessively, or it may cause tool damage. (Fig. 7)

To remove the blade, push the tool opener forward as far as it will go. This allows the blade to be released.

NOTE:

- Occasionally lubricate the roller.

Hex wrench storage (Fig. 8)

When not in use, store the hex wrench as shown in the figure to keep it from being lost.

Cover plate (Fig. 9)

Use the cover plate when cutting decorative veneers, plastics, etc. It protects sensitive or delicate surfaces from damage. Fit it on the back of the tool base.

Anti-splintering device (Fig. 10)

For splinter-free cuts, the anti-splintering device can be used. To install the anti-splintering device, move the tool base all the way forward and fit it from the back of tool base. When you use the cover plate, install the anti-splintering device onto the cover plate.

CAUTION:

- The anti-splintering device cannot be used when making bevel cuts.

Dust extraction

The dust nozzle (optional accessory) is recommended to perform clean cutting operations. (Fig. 11)

To attach the dust nozzle on the tool, insert the hook of dust nozzle into the hole in the base. (Fig. 12)

To secure the dust nozzle, tighten the clamp screw at the front of the dust nozzle.

The dust nozzle can be installed on either left or right side of the base. (Fig. 13)

Then connect a Makita vacuum cleaner to the dust nozzle.

OPERATION

CAUTION:

- Always hold the base flush with the workpiece. Failure to do so may cause blade breakage, resulting in a serious injury.

NOTE:

- If the tool is operated continuously until the battery cartridge has discharged, allow the tool to rest for 15 minutes before proceeding with a fresh battery. (Fig. 14)

Turn the tool on without the blade making any contact and wait until the blade attains full speed. Then rest the base flat on the workpiece and gently move the tool forward along the previously marked cutting line.

When cutting curves, advance the tool very slowly.

Bevel cutting (Fig. 15)

CAUTION:

- Always be sure that the tool is switched off and the battery cartridge is removed before tilting the base. With the base tilted, you can make bevel cuts at any angle between 0° and 45° (left or right). (Fig. 16)

To tilt the base, loosen the bolt on the back of the base with the hex wrench. Move the base so that the bolt is positioned in the center of the bevel slot in the base. (Fig. 17)

Tilt the base until the desired bevel angle is obtained. The V-notch of the gear housing indicates the bevel angle by graduations. Then tighten the bolt firmly to secure the base.

Front flush cuts (Fig. 18)

Loosen the bolt on the back of the base with the hex wrench and slide the base all the way back. Then tighten the bolt to secure the base.

Cutouts

Cutouts can be made with either of two methods A or B.

A) Boring a starting hole: (Fig. 19)

- For internal cutouts without a lead-in cut from an edge, pre-drill a starting hole 12 mm or more in diameter. Insert the blade into this hole to start your cut.

B) Plunge cutting: (Fig. 20)

- You need not bore a starting hole or make a lead-in cut if you carefully do as follows.
1. Tilt the tool up on the front edge of the base with the blade point positioned just above the workpiece surface.
 2. Apply pressure to the tool so that the front edge of the base will not move when you switch on the tool and gently lower the back end of the tool slowly.
 3. As the blade pierces the workpiece, slowly lower the base of the tool down onto the workpiece surface.
 4. Complete the cut in the normal manner.

Finishing edges (Fig. 21)

To trim edges or make dimensional adjustments, run the blade lightly along the cut edges.

Metal cutting

Always use a suitable coolant (cutting oil) when cutting metal. Failure to do so will cause significant blade wear. The underside of the workpiece can be greased instead of using a coolant.

Rip fence set (optional accessory)

CAUTION:

- Always be sure that the tool is switched off and the battery cartridge is removed before installing or removing accessories.

1. Straight cuts (Fig. 22)

When repeatedly cutting widths of 160 mm or less, use of the rip fence will assure fast, clean, straight cuts. (Fig. 23) To install, insert the rip fence into the rectangular hole on the side of the tool base with the fence guide facing down. Slide the rip fence to the desired cutting width position, then tighten the bolt to secure it.

2. Circular cuts (Fig. 24 & 25)

When cutting circles or arcs of 170 mm or less in radius, install the rip fence as follows.

1. Insert the rip fence into the rectangular hole on the side of the base with the fence guide facing up. Insert the circular guide pin through either of the two holes on the fence guide. Screw the threaded knob onto the pin to secure the pin.
2. Now slide the rip fence to the desired cutting radius, and tighten the bolt to secure it in place. Then move the base all the way forward.

NOTE:

- Always use blades No. B-17, B-18, B-26 or B-27 when cutting circles or arcs.

Guide rail adapter set (optional accessory) (Fig. 26)

When cutting parallel and uniform width or cutting straight, the use of the guide rail and the guide rail adapter will assure the production of fast and clean cuts.

To install the guide rail adapter, insert the rule bar into the square hole of the base as far as it goes. Secure the bolt with the hex wrench securely. (Fig. 27)

Install the guide rail adapter on the rail of the guide rail. Insert the rule bar into the square hole of the guide rail adapter. Put the base to the side of the guide rail, and secure the bolt securely. (Fig. 28)

⚠ CAUTION:

- Always use blades No. B-8, B-13, B-16, B-17 or 58 when using the guide rail and the guide rail adapter.

MAINTENANCE

⚠ CAUTION:

- Always be sure that the tool is switched off and the battery cartridge is removed before attempting to perform inspection or maintenance.
- Never use gasoline, benzine, thinner, alcohol or the like. Discoloration, deformation or cracks may result.

To maintain product SAFETY and RELIABILITY, repairs, any other maintenance or adjustment should be performed by Makita Authorized Service Centers, always using Makita replacement parts.

OPTIONAL ACCESSORIES

⚠ CAUTION:

- These accessories or attachments are recommended for use with your Makita tool specified in this manual. The use of any other accessories or attachments might present a risk of injury to persons. Only use accessory or attachment for its stated purpose.

If you need any assistance for more details regarding these accessories, ask your local Makita Service Center.

- Jig saw blades
- Hex wrench 4
- Rip fence (guide rule) set
- Guide rail adapter set
- Guide rail set
- Anti-splintering device
- Cover plate
- Dust nozzle assy
- Makita genuine battery and charger

NOTE:

- Some items in the list may be included in the tool package as standard accessories. They may differ from country to country.

Noise

ENG905-1

The typical A-weighted noise level determined according to EN60745:

Model DJV142

Sound pressure level (L_{pA}): 78 dB (A)

Uncertainty (K): 3 dB (A)

The noise level under working may exceed 80 dB (A).

Model DJV182

Sound pressure level (L_{pA}): 77 dB (A)

Uncertainty (K): 3 dB (A)

The noise level under working may exceed 80 dB (A).

Wear ear protection.

Vibration

ENG900-1

The vibration total value (tri-axial vector sum) determined according to EN60745:

Model DJV142

Work mode: cutting boards

Vibration emission ($a_{h,B}$): 7.0 m/s²

Uncertainty (K): 1.5 m/s²

Work mode: cutting sheet metal

Vibration emission ($a_{h,M}$): 4.0 m/s²

Uncertainty (K): 1.5 m/s²

Model DJV182

Work mode: cutting boards

Vibration emission ($a_{h,B}$): 7.0 m/s²

Uncertainty (K): 1.5 m/s²

Work mode: cutting sheet metal

Vibration emission ($a_{h,M}$): 3.5 m/s²

Uncertainty (K): 1.5 m/s²

ENG901-1

- The declared vibration emission value has been measured in accordance with the standard test method and may be used for comparing one tool with another.
- The declared vibration emission value may also be used in a preliminary assessment of exposure.

⚠ WARNING:

- The vibration emission during actual use of the power tool can differ from the declared emission value depending on the ways in which the tool is used.
- Be sure to identify safety measures to protect the operator that are based on an estimation of exposure in the actual conditions of use (taking account of all parts of the operating cycle such as the times when the tool is switched off and when it is running idle in addition to the trigger time).

For European countries only

ENH101-17

EC Declaration of Conformity

Makita declares that the following Machine(s):

Designation of Machine:

Cordless Jig Saw

Model No./Type: DJV142, DJV182

Conforms to the following European Directives:

2006/42/EC

They are manufactured in accordance with the following

Standard or standardized documents:

EN60745

The Technical file in accordance with 2006/42/EC is available from:

Makita, Jan-Baptist Vinkstraat 2, 3070, Belgium

31. 12. 2013



Yasushi Fukaya

Director

Makita, Jan-Baptist Vinkstraat 2, 3070, Belgium

FRANÇAIS (Instructions d'origine)

Descriptif

- | | | |
|--|----------------------------|-------------------------------------|
| 1. Voyant rouge | 12. Lame de scie sauteuse | 24. Encoche en V |
| 2. Bouton | 13. Base | 25. Carter d'engrenage |
| 3. Batterie | 14. Clé hexagonale | 26. Trou de départ |
| 4. Étoile | 15. Plaque de recouvrement | 27. Garde parallèle |
| 5. Levier de sélection du mouvement de coupe | 16. Dispositif anti-fente | 28. Guide de garde |
| 6. Interrupteur de sécurité | 17. Raccord à poussières | 29. Bouton fileté |
| 7. Gâchette | 18. Vis de serrage | 30. Broche du guide circulaire |
| 8. Bouton de verrouillage | 19. Tuyau de l'aspirateur | 31. Tige graduée |
| 9. Molette de réglage de la vitesse | 20. Ligne de coupe | 32. Adaptateur pour rail de guidage |
| 10. Position fermée | 21. Boulon | 33. Vis |
| 11. Position ouverte | 22. Fente en biseau | 34. Rail de guidage |
| | 23. Graduations | |

SPÉCIFICATIONS

Modèle		DJV142	DJV182
Longueur de course		26 mm	26 mm
Capacités de coupe max.	Bois	135 mm	135 mm
	Acier doux	10 mm	10 mm
	Aluminium	20 mm	20 mm
Passes par minute (min ⁻¹)		800 - 3 500	800 - 3 500
Longueur totale		264 mm	266 mm
Poids net		2,5 kg	2,6 kg
Tension nominale		14,4 V C.C.	18 V C.C.

- Étant donné l'évolution constante de notre programme de recherche et de développement, les spécifications contenues dans ce manuel sont sujettes à des modifications sans préavis.
- Les spécifications et la batterie peuvent varier d'un pays à l'autre.
- Poids, batterie incluse, selon la procédure EPTA 01/2003

Utilisations

ENE019-1

Cet outil est conçu pour scier le bois, le plastique et les matériaux métalliques. Son système de lame et d'accessoires offre un grand nombre de possibilités et permet des coupes courbes ou circulaires.

Consignes de sécurité générales des outils électriques

GEA010-1

⚠ AVERTISSEMENT Veuillez lire toutes les consignes de sécurité et les instructions. Il y a un risque de choc électrique, d'incendie et/ou de blessure grave si les consignes et les instructions ne sont pas toutes respectées.

Conservez toutes les consignes et instructions pour référence ultérieure.

AVERTISSEMENTS DE SÉCURITÉ CONCERNANT LA SCIE SAUTEUSE SANS FIL

GEB045-2

1. Tenez l'outil électrique par ses surfaces de poigne isolées lorsque vous effectuez une opération au cours de laquelle l'accessoire tranchant peut entrer en contact avec des fils cachés. Il est possible que le contact de l'accessoire tranchant avec un fil sous tension mette les parties métalliques exposées de l'outil sous tension, risquant ainsi de provoquer un choc électrique chez l'utilisateur.
2. Utilisez des dispositifs de serrage ou un autre moyen pratique pour immobiliser et soutenir la pièce sur une surface stable. La pièce sera instable et vous risquerez d'en perdre la maîtrise si vous la tenez avec une main ou l'appuyez simplement contre une partie du corps.
3. Portez toujours des lunettes de sécurité ou des lunettes étanches. Les lunettes ordinaires et les lunettes de soleil NE sont PAS des lunettes de sécurité.
4. Prenez garde aux clous pendant la coupe. Avant de commencer à scier, vérifiez la pièce pour en retirer tous les clous.
5. Ne coupez pas des pièces trop grandes.
6. Avant de commencer la coupe, assurez-vous qu'il y a suffisamment d'espace sous la pièce pour que la lame ne heurte pas le plancher, l'établi, etc.
7. Tenez l'outil fermement.
8. Assurez-vous que la lame ne touche pas la pièce à travailler avant de mettre le contact.
9. Gardez les mains éloignées des pièces en mouvement.
10. N'abandonnez pas l'outil alors qu'il tourne. Ne faites fonctionner l'outil qu'une fois que vous l'avez bien en main.

11. Avant de retirer la lame de la pièce, coupez toujours le contact et attendez l'arrêt complet de la lame.
 12. Ne touchez ni la lame ni la pièce immédiatement après la coupe ; elles risquent d'être extrêmement chaudes et de vous brûler la peau.
 13. Ne faites pas fonctionner inutilement l'outil à vide.
 14. Certains matériaux contiennent des produits chimiques qui peuvent être toxiques. Veillez à éviter toute inhalation de poussière et tout contact avec la peau. Respectez les instructions de sécurité du fournisseur du matériel.
 15. Utilisez toujours un masque antipoussières ou un masque filtrant approprié au matériau à travailler et à l'outil utilisé.
8. Veillez à ne pas laisser tomber ou heurter la batterie.
 9. N'utilisez pas de batterie endommagée.
 10. Respectez les réglementations locales relatives à la mise au rebut des batteries.

CONSERVEZ CES INSTRUCTIONS.

Conseils pour assurer la durée de vie optimale de la batterie

1. Rechargez la batterie avant qu'elle ne soit complètement épuisée. Arrêtez toujours l'outil et rechargez la batterie quand vous constatez que la puissance de l'outil diminue.
2. Ne rechargez jamais une batterie complètement chargée. La surcharge réduit la durée de service de la batterie.
3. Chargez la batterie alors que la température de la pièce se trouve entre 10°C et 40°C (50°F et 104°F). Si une batterie est chaude, laissez-la refroidir avant de la charger.
4. Si vous n'utilisez pas l'outil pendant une période prolongée, rechargez la batterie tous les six mois.

CONSERVEZ CES INSTRUCTIONS.

⚠ AVERTISSEMENT :

NE vous laissez PAS tromper (au fil d'une utilisation répétée) par un sentiment d'aisance et de familiarité avec le produit, en négligeant le respect rigoureux des consignes de sécurité qui accompagnent l'outil. Une UTILISATION INCORRECTE de l'outil ou le non-respect des consignes de sécurité indiquées dans ce manuel d'instructions peuvent causer des blessures graves.

CONSIGNES DE SÉCURITÉ IMPORTANTES

ENC007-8

POUR LA BATTERIE

1. Avant d'utiliser la batterie, veuillez lire toutes les instructions et tous les avertissements inscrits sur (1) le chargeur, (2) la batterie et (3) l'appareil alimenté par la batterie.
2. Ne démontez pas la batterie.
3. Cessez immédiatement d'utiliser l'outil si le temps de fonctionnement devient excessivement court. Il y a un risque de surchauffe, de brûlures, voire d'explosion.
4. Si l'électrolyte pénètre dans vos yeux, rincez-les à l'eau claire et consultez immédiatement un médecin. Il y a un risque de perte de la vue.
5. Évitez de court-circuiter la batterie :
 - (1) Ne touchez les bornes avec aucun matériau conducteur.
 - (2) Évitez de ranger la batterie dans un contenant où se trouvent d'autres objets métalliques tels que des clous, pièces de monnaie, etc.
 - (3) N'exposez pas la batterie à l'eau ou à la pluie. Un court-circuit de la batterie risque de provoquer un fort courant, une surchauffe, parfois des brûlures et même une panne.
6. Ne rangez pas l'outil ou la batterie dans des endroits où la température risque d'atteindre ou de dépasser 50°C (122°F).
7. Ne jetez pas la batterie au feu même si elle est sérieusement endommagée ou complètement épuisée. La batterie peut exploser au contact du feu.

DESCRIPTION DU FONCTIONNEMENT

⚠ ATTENTION :

- Veillez toujours à ce que l'outil soit éteint et la batterie déposée avant d'effectuer des réglages ou de vérifier le fonctionnement de l'outil.

Installation et retrait de la batterie (Fig. 1)

⚠ ATTENTION :

- Éteignez toujours l'outil avant d'installer ou de déposer la batterie.
- Tenez fermement l'outil et la batterie lors de l'installation ou du retrait de la batterie. Si vous ne tenez pas fermement l'outil et la batterie, ils risquent de glisser et de s'abîmer ou de vous blesser.

Pour retirer la batterie, faites glisser le bouton à l'avant de la batterie et sortez la batterie.

Pour installer la batterie, alignez sa languette sur la rainure qui se trouve à l'intérieur du carter, puis glissez la batterie pour la mettre en place. Insérez-la bien à fond, jusqu'à ce qu'elle se verrouille en émettant un léger clic. Si vous pouvez voir le voyant rouge sur la face supérieure du bouton, la batterie n'est pas parfaitement verrouillée.

⚠ ATTENTION :

- Installez toujours la batterie à fond, de sorte que le voyant rouge ne soit plus visible. Sinon, elle risque de tomber accidentellement de l'outil, en vous blessant ou en blessant une personne située près de vous.
- Ne forcez pas pour installer la batterie. Si la batterie ne glisse pas aisément, c'est qu'elle n'est pas insérée correctement.

Système de protection de la batterie (batterie au lithium-ion comportant une étoile) (Fig. 2)

Les batteries au lithium-ion comportant une étoile sont équipées d'un système de protection. Ce système coupe automatiquement l'alimentation en électricité vers l'outil afin de prolonger sa durée de vie.

L'outil s'arrête automatiquement pendant le fonctionnement lorsqu'il et/ou la batterie se trouvent dans l'une des situations suivantes :

- **Surchargé :**
L'outil fonctionne de manière à créer un courant anormalement élevé.
Dans ce cas, relâchez la gâchette située sur l'outil et arrêtez l'application ayant provoqué la surcharge de l'outil. Ensuite, appuyez à nouveau sur la gâchette pour redémarrer l'outil.
Si l'outil ne démarre pas, la batterie est en surchauffe. Dans ce cas, laissez refroidir la batterie avant d'appuyer à nouveau sur la gâchette.
- **Faible tension de la batterie :**
L'autonomie restante est trop basse et l'outil ne fonctionnera pas. Dans ce cas, retirez la batterie et rechargez-la.

Sélection du mouvement de coupe (Fig. 3)

Cet outil peut fonctionner avec un mouvement de coupe orbital ou rectiligne (haut et bas). Le mouvement de coupe orbital pousse la lame vers l'avant pendant sa course, augmentant considérablement la vitesse de coupe.

Pour modifier le mouvement de coupe, tournez simplement le levier de sélection du mouvement de coupe sur la position de mouvement de coupe désirée.

Consultez le tableau pour sélectionner le mouvement de coupe approprié.

Position	Mouvement de coupe	Applications
0	Mouvement de coupe rectiligne	Pour couper l'acier doux, l'acier inoxydable et le plastique. Pour des coupes nettes dans le bois et le contreplaqué.
I	Mouvement de coupe à petite orbite	Pour couper l'acier doux, l'aluminium et le bois dur.
II	Mouvement de coupe à moyenne orbite	Pour couper le bois et le contreplaqué. Pour la coupe rapide de l'aluminium et de l'acier doux.
III	Mouvement de coupe à grande orbite	Pour la coupe rapide du bois et du contreplaqué.

006376

Interrupteurs

⚠ ATTENTION :

- Avant d'insérer la batterie dans l'outil, vérifiez toujours que la gâchette fonctionne correctement et revient en position d'arrêt lorsqu'elle est libérée. (Fig. 4)

Pour démarrer l'outil :

Appuyez sur l'interrupteur de sécurité pour mettre l'outil en mode veille. Cette opération allume également la lampe.

Appuyez sur la gâchette pour démarrer l'outil. Pour l'arrêter, relâchez la gâchette.

Pour un fonctionnement continu, appuyez sur la gâchette puis enfoncez le bouton de verrouillage.

Pour arrêter l'outil alors qu'il est en position verrouillée, appuyez à fond sur la gâchette puis relâchez-la.

En mode veille, appuyez sur l'interrupteur de sécurité pour éteindre la lampe et mettre l'outil en mode sécurité.

REMARQUE :

- L'interrupteur de sécurité ne fonctionne pas pendant l'opération de coupe.
- Lorsque l'outil est en mode veille, la lampe reste allumée.
- Si l'outil reste 10 secondes en mode veille sans être utilisé, il passe automatiquement en mode sécurité et la lampe s'éteint.

Allumage des lampes

⚠ ATTENTION :

- Évitez de regarder directement la lampe ou sa source. Pour allumer la lampe, appuyez sur l'interrupteur de sécurité.

Pour éteindre la lampe dans les 10 secondes, appuyez à nouveau sur l'interrupteur de sécurité.

REMARQUE :

- Utilisez un chiffon sec pour essuyer les saletés qui recouvrent la lentille de la lampe. Prenez garde de ne pas rayer la lentille de la lampe, sinon sa capacité d'éclairage sera affectée.
- La lampe clignote lorsque l'outil est soumis à une surchauffe. Refroidissez complètement l'outil avant de le réutiliser.

Molette de réglage de la vitesse (Fig. 5)

La vitesse de l'outil peut être réglée à l'infini en tournant la molette de réglage de la vitesse. Vous pouvez obtenir la vitesse la plus élevée sur 6, et la plus faible sur 1. Consultez le tableau ci-dessous pour sélectionner la vitesse adéquate en fonction de la pièce à couper. La vitesse appropriée peut cependant différer avec le type ou l'épaisseur de la pièce. En général, une vitesse plus élevée permettra de couper les pièces plus rapidement mais la durée de service de la lame en sera réduite.

Pièce à couper	Numéro sur la molette de réglage de la vitesse
Bois	4 - 6
Acier doux	3 - 6
Acier inoxydable	3 - 4
Aluminium	3 - 6
Plastiques	1 - 4

013925

ATTENTION :

- Vous ne pouvez tourner la molette de réglage de la vitesse que jusqu'aux positions 6 et 1. Ne la forcez pas au-delà des positions 6 ou 1, au risque de provoquer un dysfonctionnement du réglage de la vitesse.

REMARQUE :

- Lorsque la molette de réglage de la vitesse est sur 3 ou plus, l'outil réduit automatiquement la vitesse à vide afin de limiter les vibrations. Dès que l'outil recommence à travailler, il retrouve la vitesse réglée. Ensuite, l'outil maintient la vitesse jusqu'à ce qu'il soit éteint. Lorsque la température est basse et que la graisse est moins fluide, l'outil peut ne pas disposer de cette fonction même si le moteur tourne.

MONTAGE

ATTENTION :

- Assurez-vous toujours que l'outil est hors tension et la batterie retirée avant d'effectuer toute intervention sur l'outil.

Installation et retrait de la lame

ATTENTION :

- Nettoyez toujours la lame et/ou le porte-lame de tous les copeaux ou corps étrangers qui y adhèrent. La négligence de ce nettoyage peut causer un serrage insuffisant de la lame, entraînant des blessures graves.
- Ne touchez ni la lame ni la pièce immédiatement après la coupe ; elles risquent d'être extrêmement chaudes et de vous brûler la peau.
- Serrez fermement la lame. Autrement il y a risque de grave blessure.
- Lors du retrait de la lame, prenez garde de ne pas vous blesser aux doigts avec le dessus de la lame ou les bouts de la pièce. (Fig. 6)

Avant d'installer la lame, vérifiez que le porte-lame est en position ouverte.

Pour installer la lame, insérez-la (dents vers l'avant) dans le porte-lame jusqu'à ce qu'elle s'enclenche. Le porte-lame passe de lui-même en position fermée et la lame est verrouillée. Appuyez légèrement sur la lame pour vous assurer qu'elle ne tombe pas pendant son utilisation.

ATTENTION :

- N'écartez pas excessivement le système d'ouverture de l'outil, ou cela risque de l'endommager. (Fig. 7)
- Pour retirer la lame, poussez le système d'ouverture de l'outil le plus possible vers l'avant. Cela permet de libérer la lame.

REMARQUE :

- Lubrifiez le rouleau de temps à autre.

Rangement de la clé hexagonale (Fig. 8)

Lorsque vous n'utilisez pas la clé hexagonale, rangez-la comme illustré sur la figure pour éviter de la perdre.

Plaque de recouvrement (Fig. 9)

Utilisez la plaque de recouvrement pour la coupe des placages décoratifs, du plastique, etc. Cette plaque protège contre les dommages les surfaces fragiles ou délicates. Installez-la par l'arrière de la base de l'outil.

Dispositif anti-fente (Fig. 10)

Vous pouvez utiliser le dispositif anti-fente pour obtenir des coupes sans fente. Pour l'installer, déplacez la base de l'outil complètement vers l'avant, puis installez le dispositif par l'arrière de la base de l'outil. Lorsque vous utilisez la plaque de recouvrement, installez le dispositif anti-fente sur cette dernière.

ATTENTION :

- L'utilisation du dispositif anti-fente n'est pas possible lors des coupes en biseau.

Aspiration de la poussière

Le raccord à poussière (accessoire en option) est recommandé pour l'exécution d'opérations de coupe propres. (Fig. 11)

Pour fixer le raccord à poussière sur l'outil, insérez le crochet du raccord à poussière dans l'orifice de la base. (Fig. 12)

Pour fixer le raccord à poussière, serrez la vis de serrage à l'avant du raccord à poussière.

Le raccord à poussière peut être installé du côté droit ou gauche de la base. (Fig. 13)

Raccordez ensuite un aspirateur Makita au raccord à poussière.

FONCTIONNEMENT

ATTENTION :

- Maintenez toujours la base parfaitement en contact avec la pièce. Sinon, la lame risque de se briser et de causer une grave blessure.

REMARQUE :

- Si l'outil est utilisé de manière continue jusqu'à ce que la batterie soit déchargée, laissez-le reposer 15 minutes avant de poursuivre l'opération avec une batterie chargée. (Fig. 14)

Mettez l'outil sous tension sans que la lame n'entre en contact avec une surface, et attendez qu'elle ait atteint sa pleine vitesse. Posez ensuite la base à plat sur la pièce et faites avancer l'outil doucement le long de la ligne de coupe préalablement tracée.

Faites avancer l'outil très lentement lors de la coupe de courbes.

Coupe en biseau (Fig. 15)

ATTENTION :

- Assurez-vous toujours que l'outil est hors tension et que la batterie est retirée avant d'incliner la base.

Avec la base inclinée, vous pouvez faire des coupes en biseau de n'importe quel angle, entre 0° et 45° (gauche ou droite). (Fig. 16)

Pour incliner la base, desserrez le boulon à l'arrière de la base à l'aide de la clé hexagonale. Déplacez la base de sorte que le boulon se trouve au centre de la fente en biseau sur la base. (Fig. 17)

Inclinez la base jusqu'à l'angle de coupe en biseau désiré. L'encoche en V du carter d'engrenages indique l'angle de biseau au moyen de graduations. Serrez ensuite le boulon fermement pour fixer la base.

Coupes à ras vers l'avant (Fig. 18)

Utilisez la clé hexagonale pour desserrer le boulon à l'arrière de la base, et faites glisser la base complètement vers l'arrière. Serrez ensuite le boulon pour fixer la base.

Découpage

Le découpage peut s'effectuer par la méthode A ou B.

A) Perçage d'un trou de départ : (Fig. 19)

- Pour les échancrures internes sans coupe inclinée à partir d'un bord, réalisez un trou de départ de 12 mm ou plus de diamètre. Insérez la lame dans ce trou pour commencer la coupe.

B) Coupe en plongée : (Fig. 20)

- Si vous procédez soigneusement de la façon qui suit, il n'est pas nécessaire de percer un trou de départ ou d'effectuer une coupe d'introduction.
1. Inclinez l'outil vers le bord avant de la base, le bout de la lame se trouvant juste au-dessus de la surface de la pièce.
 2. Appliquez une pression sur l'outil, de sorte que le bord avant de la base ne bouge pas lorsque vous mettez l'outil en marche, puis abaissez doucement l'arrière de l'outil.
 3. À mesure que la lame pénètre dans la pièce, abaissez lentement la base de l'outil sur la surface de la pièce.
 4. Complétez ensuite la coupe de façon normale.

Finition des bords (Fig. 21)

Pour égaliser les bords ou pour ajuster les dimensions, faites passer la lame légèrement le long des bords coupés.

Coupe du métal

Utilisez toujours un fluide de refroidissement (huile de coupe) adéquat lors de la coupe du métal. Autrement, cela usera considérablement la lame. Au lieu d'utiliser un fluide de refroidissement pour la face inférieure de la pièce, vous pouvez la recouvrir de graisse.

Ensemble de garde parallèle (accessoire en option)

⚠ ATTENTION :

- Assurez-vous toujours que l'outil est hors tension et que la batterie est retirée avant d'installer ou de retirer des accessoires.

1. Coupes rectilignes (Fig. 22)

Lorsque vous sciez de façon répétée à des largeurs de 160 mm ou moins, l'utilisation du garde parallèle vous permet d'obtenir des coupes rapides, nettes et rectilignes. (Fig. 23)

Pour installer le garde parallèle, insérez-le dans l'orifice rectangulaire sur le côté de la base de l'outil, en orientant le guide de garde vers le bas. Faites glisser le garde parallèle sur la position correspondant à la largeur de coupe désirée, puis serrez le boulon pour le fixer.

2. Coupes circulaires (Fig. 24 et 25)

Pour effectuer des coupes en forme de cercle ou d'arc avec un rayon de 170 mm ou moins, installez le garde parallèle de la façon suivante.

1. Installez le garde parallèle dans l'orifice rectangulaire sur le côté de la base, en orientant le guide de garde vers le haut. Insérez la broche du guide circulaire dans l'un ou l'autre des deux orifices du guide de garde. Vissez le bouton fileté sur la broche pour la fixer.
2. Faites ensuite glisser le garde parallèle sur la position correspondant au rayon de coupe désiré, puis serrez le boulon pour le fixer. Déplacez ensuite la base complètement vers l'avant.

REMARQUE :

- Utilisez toujours des lames N° B-17, B-18, B-26 ou B-27 pour découper des cercles ou des arcs de cercle.

Ensemble d'adaptateur pour rail de guidage (accessoire en option) (Fig. 26)

Lorsque vous effectuez des coupes parallèles et de largeur uniforme ou des coupes rectilignes, utilisez le rail de guidage et l'adaptateur pour rail de guidage afin d'assurer une coupe rapide et nette.

Pour installer l'adaptateur de rail de guidage, insérez aussi loin que possible la tige graduée dans l'orifice carré de la base. Fixez fermement le boulon à l'aide de la clé hexagonale. (Fig. 27)

Installez l'adaptateur de rail de guidage sur le rail du rail de guidage. Insérez la tige graduée dans l'orifice carré de l'adaptateur de rail de guidage. Placez la base sur le côté du rail de guidage, puis serrez fermement le boulon. (Fig. 28)

⚠ ATTENTION :

- Utilisez toujours des lames N° B-8, B-13, B-16, B-17 ou 58 lorsque vous utilisez le rail de guidage et l'adaptateur de rail de guidage.

ENTRETIEN

⚠ ATTENTION :

- Assurez-vous toujours que l'outil est hors tension et que la batterie est retirée avant d'y effectuer tout travail d'inspection ou d'entretien.
- N'utilisez jamais d'essence, de benzine, de diluant, d'alcool ou de produit similaire. Ces produits risquent de provoquer des décolorations, des déformations ou des fissures.

Pour garantir la SÉCURITÉ et la FIABILITÉ du produit, les réparations ainsi que tout autre travail d'entretien ou de réglage doivent être effectués dans un centre d'entretien Makita agréé, exclusivement avec des pièces de rechange Makita.

ACCESSOIRES FOURNIS EN OPTION

⚠ ATTENTION :

- Ces accessoires ou pièces complémentaires sont recommandés pour être utilisés avec l'outil Makita spécifié dans ce mode d'emploi. L'utilisation de tout autre accessoire ou pièce complémentaire peut comporter un risque de blessure. N'utilisez les accessoires ou pièces qu'aux fins auxquelles ils ont été conçus.

Pour obtenir plus de détails sur ces accessoires, contactez votre Centre de service local Makita.

- Lames de scie sauteuse
- Clé hexagonale 4
- Ensemble de garde parallèle (règle de guidage)
- Ensemble d'adaptateur pour rail de guidage
- Ensemble de rail de guidage
- Dispositif anti-fente
- Plaque de recouvrement
- Ensemble de raccord à poussières
- Batterie et chargeur Makita d'origine

REMARQUE :

- Certains éléments de la liste peuvent être inclus en tant qu'accessoires standard dans le coffret de l'outil envoyé. Ils peuvent varier suivant les pays.

Bruit ENG905-1
Les niveaux de bruit pondéré A typiques ont été mesurés selon la norme EN60745 :

Modèle DJV142

Niveau de pression sonore (L_{pA}) : 78 dB (A)
Incertitude (K) : 3 dB (A)

Le niveau de bruit peut dépasser 80 dB (A) lors de l'utilisation.

Modèle DJV182

Niveau de pression sonore (L_{pA}) : 77 dB (A)
Incertitude (K) : 3 dB (A)

Le niveau de bruit peut dépasser 80 dB (A) lors de l'utilisation.

Portez des protections auditives.

Vibrations ENG900-1
La valeur totale de vibration (somme du vecteur triaxial) a été déterminée selon la norme EN60745 :

Modèle DJV142

Mode de fonctionnement : découpe de planches
Émission de vibrations ($a_{h,B}$) : 7,0 m/s²
Incertitude (K) : 1,5 m/s²

Mode de fonctionnement : découpe de tôle
Émission de vibrations ($a_{h,M}$) : 4,0 m/s²
Incertitude (K) : 1,5 m/s²

Modèle DJV182

Mode de fonctionnement : découpe de planches
Émission de vibrations ($a_{h,B}$) : 7,0 m/s²
Incertitude (K) : 1,5 m/s²

Mode de fonctionnement : découpe de tôle
Émission de vibrations ($a_{h,M}$) : 3,5 m/s²
Incertitude (K) : 1,5 m/s²

ENG901-1

- La valeur de l'émission des vibrations déclarée a été mesurée conformément à la méthode de test standard et peut être utilisée afin de comparer des outils entre eux.
- La valeur de l'émission des vibrations déclarée peut également être utilisée lors d'une évaluation préliminaire de l'exposition.

AVERTISSEMENT :

- Selon la manière dont l'outil est utilisé, il est possible que l'émission des vibrations pendant l'utilisation réelle de l'outil électrique diffère de la valeur de l'émission déclarée.

- Veuillez à identifier les mesures de sécurité destinées à protéger l'opérateur et établies en fonction de l'estimation de l'exposition dans les conditions réelles d'utilisation (en prenant en compte toutes les étapes du cycle de fonctionnement, telles que les périodes de mise hors tension de l'outil, les périodes de fonctionnement au ralenti et les périodes de mise en route).

Pour les pays d'Europe uniquement

ENH101-17

Déclaration de conformité CE

Makita déclare que la/les machine(s) suivante(s) :

Nom de la machine :

Scie sauteuse sans fil

N° de modèle/Type : DJV142, DJV182

sont conformes aux directives européennes suivantes :

2006/42/CE

sont produites conformément aux normes ou documents de normalisation suivants :

EN60745

Le dossier technique conforme à la norme 2006/42/CE est disponible auprès de :

Makita, Jan-Baptist Vinkstraat 2, 3070, Belgique

31. 12. 2013



Yasushi Fukaya
Directeur

Makita, Jan-Baptist Vinkstraat 2, 3070, Belgique

DEUTSCH (Originalanweisungen)

Erklärung der Gesamtdarstellung

- | | | |
|---|------------------------------|-----------------------------|
| 1. Roter Bereich | 12. Stichsägeblatt | 24. V-Kerbe |
| 2. Taste | 13. Gleitschuh | 25. Getriebegehäuse |
| 3. Akkublock | 14. Inbusschlüssel | 26. Anfangsloch |
| 4. Sternmarkierung | 15. Abdeckungsplatte | 27. Parallelanschlag |
| 5. Hebel zum Wechseln der Sägebetriebsart | 16. Splitterschutz | 28. Gehrungsanschlag |
| 6. Arretierschalter | 17. Absaugstutzen | 29. Gewindeknopf |
| 7. Ein/Aus-Schalter | 18. Klemmschraube | 30. Kreisführungsstift |
| 8. Arretiertaste | 19. Schlauch für Absauggerät | 31. Messleiste |
| 9. Geschwindigkeits-Stellrad | 20. Schnittlinie | 32. Führungsschienenadapter |
| 10. Verriegelte Position | 21. Schraube | 33. Schraube |
| 11. Freigabeposition | 22. Gehrungsschlitz | 34. Führungsschiene |
| | 23. Einteilungen | |

SPEZIFIKATIONEN

Modell		DJV142	DJV182
Hubhöhe		26 mm	26 mm
Max. Schneidleistungen	Holz	135 mm	135 mm
	Weichstahl	10 mm	10 mm
	Aluminium	20 mm	20 mm
Stiche pro Minute (min ⁻¹)		800 - 3.500	800 - 3.500
Gesamtlänge		264 mm	266 mm
Nettogewicht		2,5 kg	2,6 kg
Nennspannung		14,4 V Gleichspannung	18 V Gleichspannung

- Aufgrund unserer beständigen Forschungen und Weiterentwicklungen sind Änderungen an den hier angegebenen Technischen Daten ohne Vorankündigung vorbehalten.
- Die Technischen Daten und der Akkublock können in den einzelnen Ländern Abweichungen aufweisen.
- Gewicht, mit Akkublock, ermittelt gemäß EPTA-Verfahren 01/2003

Verwendungszweck

ENE019-1

Das Werkzeug wurde für das Sägen von Holz, Kunststoff und Metallmaterial entwickelt. Als Ergebnis des umfangreichen Zubehör- und Sägeblattprogramms ist das Werkzeug vielseitig verwendbar und gut geeignet für kurvige und kreisförmige Schnitte.

Allgemeine Sicherheitshinweise für Elektrowerkzeuge

GEA010-1

⚠️ WARNUNG Lesen Sie alle Sicherheitshinweise und Anweisungen sorgfältig durch. Wenn die Hinweise und Anweisungen nicht beachtet werden, besteht die Gefahr eines Stromschlags, Brands und/oder das Risiko von ernsthaften Verletzungen.

Bewahren Sie alle Hinweise und Anweisungen zur späteren Referenz gut auf.

SICHERHEITSHINWEISE ZUR AKKU-STICHSÄGE

GEB045-2

1. Halten Sie das Werkzeug an den isolierten Griffflächen, wenn Sie unter Bedingungen arbeiten, bei denen das Schneidwerkzeug verborgene Kabel berühren kann. Bei Kontakt des

Werkzeugs mit einem stromführenden Kabel könnten die Metallteile des Elektrowerkzeugs unter Strom gesetzt werden und der Bediener könnte dadurch einen Stromschlag erleiden.

2. **Sichern Sie das Werkstück mit Hilfe von Schraubzwingen oder anderen geeigneten Befestigungsmitteln auf einer stabilen Unterlage.** Wenn Sie das Werkstück von Hand halten oder gegen Ihren Körper pressen, kann dies zu Instabilität und Kontrollverlust führen.
3. **Verwenden Sie immer eine Sicherheitsbrille oder Arbeitsschutzbrille. Gewöhnliche Brillen und Sonnenbrillen sind KEINE Sicherheitsbrillen oder Arbeitsschutzbrillen.**
4. **Vermeiden Sie es, in Nägel zu schneiden. Untersuchen Sie das Werkstück auf Nägel und entfernen Sie diese vor der eigentlichen Arbeit.**
5. Sägen Sie keine zu großen Werkstücke.
6. **Achten Sie auf genügend Abstand unter dem Werkstück, damit das Blatt nicht auf den Boden, die Werkbank usw. schlägt.**
7. Halten Sie das Werkzeug mit festem Griff.
8. **Achten Sie vor dem Einschalten des Werkzeugs darauf, dass das Sägeblatt das Werkstück nicht berührt.**
9. Halten Sie Ihre Hände von den beweglichen Teilen fern.

10. Lassen Sie das Werkzeug nicht unbeaufsichtigt eingeschaltet. Das Werkzeug darf nur dann in Betrieb sein, wenn es von Hand festgehalten wird.
 11. Schalten Sie das Werkzeug immer aus und warten Sie auf den völligen Stillstand des Sägeblatts, bevor Sie dieses aus dem Werkstück herausziehen.
 12. Berühren Sie kurz nach dem Betrieb weder das Sägeblatt noch das Werkstück. Diese können extrem heiß sein und zu Verbrennungen führen.
 13. Lassen Sie das Gerät nicht unnötig ohne Last laufen.
 14. Einige Materialien enthalten Chemikalien, die möglicherweise giftig sind. Vermeiden Sie das Einatmen von Staub und den Hautkontakt mit diesen Materialien. Beachten Sie die Sicherheitshinweise und Sicherheitsdatenblätter der Materialhersteller.
 15. Verwenden Sie bei der Arbeit stets eine für das Material geeignete Staubmaske bzw. ein Atemgerät.
- (3) Der Akkublock darf weder Feuchtigkeit noch Regen ausgesetzt werden.
Ein Kurzschluss des Akkus kann zu hohem Kriechstrom, Überhitzung, möglichen Verbrennungen und sogar zu einer Zerstörung des Werkzeugs führen.
6. Werkzeug und Akkublock dürfen nicht an Orten aufbewahrt werden, an denen Temperaturen von 50°C oder darüber erreicht werden können.
 7. Beschädigte oder verbrauchte Akkus dürfen nicht verbrannt werden. Der Akkublock kann in den Flammen explodieren.
 8. Lassen Sie den Akku nicht fallen und vermeiden Sie Schläge gegen den Akku.
 9. Verwenden Sie niemals einen beschädigten Akku.
 10. Befolgen Sie die in Ihrem Land geltenden Bestimmungen bzgl. der Entsorgung von Akkus.

BEWAHREN SIE DIESE ANLEITUNG SORGFÄLTIG AUF.

Tipps für eine maximale Nutzungsdauer von Akkus

1. Laden Sie den Akkublock auf, bevor der Akku vollständig entladen ist. Sobald Sie eine verringerte Leistung des Werkzeugs bemerken, beenden Sie stets den Betrieb des Werkzeugs und laden Sie den Akkublock auf.
2. Ein voll aufgeladener Akkublock darf niemals erneut geladen werden. Durch Überladungen wird die Lebensdauer des Akkus verkürzt.
3. Laden Sie den Akkublock bei einer Zimmertemperatur von 10°C bis 40°C auf. Lassen Sie einen heißen Akkublock vor dem Aufladen abkühlen.
4. Laden Sie den Akkublock aller sechs Monate auf, wenn Sie diesen für längere Zeit nicht verwenden.

FUNKTIONSBESCHREIBUNG

⚠️ ACHTUNG:

- Schalten Sie das Werkzeug stets aus und nehmen Sie den Akkublock vom Werkzeug ab, bevor Sie Einstellungen oder Funktionsprüfungen am Werkzeug vornehmen.

Einsetzen und Abnehmen des Akkublocks (Abb. 1)

⚠️ ACHTUNG:

- Schalten Sie das Werkzeug stets aus, bevor Sie den Akkublock einsetzen oder abnehmen.
- Halten Sie das Werkzeug und den Akkublock sicher fest, wenn Sie den Akkublock einsetzen oder herausnehmen. Andernfalls könnte Ihnen das Werkzeug oder der Akkublock aus den Händen fallen, sodass das Werkzeug oder der Akkublock beschädigt werden oder diese Verletzungen verursachen.

Zum Abnehmen des Akkublocks müssen Sie die Taste auf der Vorderseite des Akkublocks schieben und gleichzeitig den Akkublock aus dem Gerät herausziehen.

BEWAHREN SIE DIESE ANLEITUNG SORGFÄLTIG AUF.

⚠️ WARNUNG:

Lassen Sie sich NIE aus Bequemlichkeit oder (aus fortwährendem Gebrauch gewonnener) Vertrautheit mit dem Werkzeug dazu verleiten, die Sicherheitsregeln für das Werkzeug zu missachten. Bei MISSBRÄUHLICHER Verwendung des Werkzeugs oder bei Missachtung der in diesem Handbuch enthaltenen Sicherheitshinweise kann es zu schweren Verletzungen kommen.

WICHTIGE SICHERHEITSREGELN

ENC007-8

FÜR AKKUBLOCK

1. Lesen Sie vor der Verwendung des Akkublocks alle Anweisungen und Sicherheitshinweise für das Akkuladegerät (1), den Akku (2) und das Produkt (3), für das der Akku verwendet wird, sorgfältig durch.
2. Der Akkublock darf nicht zerlegt werden
3. Falls die Betriebsdauer erheblich kürzer wird, beenden Sie den Betrieb umgehend. Andernfalls besteht die Gefahr einer Überhitzung sowie das Risiko möglicher Verbrennungen und sogar einer Explosion.
4. Wenn Elektrolyt in Ihre Augen gerät, waschen Sie diese mit klarem Wasser aus und suchen Sie sofort einen Arzt auf. Andernfalls können Sie Ihre Sehfähigkeit verlieren.
5. Vermeiden Sie einen Kurzschluss des Akkublocks:
 - (1) Die Kontakte dürfen nicht mit leitendem Material in Berührung kommen.
 - (2) Der Akkublock darf nicht in einem Behälter aufbewahrt werden, in dem sich andere metallische Gegenstände wie beispielsweise Nägel, Münzen usw. befinden.

Zum Einsetzen des Akkublocks müssen Sie die Zunge des Akkublocks an der Rille im Gehäuse ausrichten und in die gewünschte Position schieben. Setzen Sie den Akkublock ganz ein, bis er mit einem leisen Klick einrastet. Wenn Sie den roten Bereich oben auf der Taste sehen können, ist der Akkublock nicht ganz eingerastet.

⚠️ ACHTUNG:

- Setzen Sie den Akkublock unbedingt ganz ein, bis der rote Bereich nicht mehr zu sehen ist. Andernfalls kann der Akkublock versehentlich aus dem Werkzeug fallen und Sie oder umstehende Personen verletzen.
- Wenden Sie beim Einsetzen des Akkublocks keine Gewalt an. Wenn der Akkublock nicht leicht hineingleitet, ist er nicht richtig angesetzt.

Akku-Schutzsystem (Lithium-Ionen-Akku mit Sternmarkierung) (Abb. 2)

Lithium-Ionen-Akkus mit Sternmarkierung verfügen über ein Schutzsystem. Dieses System schaltet die Stromversorgung des Werkzeugs automatisch aus, um die Lebensdauer des Akkus zu verlängern.

Unter folgenden Bedingungen des Werkzeugs und/oder des Akkus kann das Werkzeug während des Betriebs automatisch stoppen:

- Überlastet:

Das Werkzeug wird auf eine Weise betrieben, die zu einer abnormal hohen Stromaufnahme führt.

Lassen Sie in dieser Situation den Ein/Aus-Schalter des Werkzeugs los und beenden Sie die Arbeiten, die zu der Überlastung des Werkzeugs geführt haben. Betätigen Sie anschließend den Ein/Aus-Schalter wieder, um das Werkzeug wieder in Betrieb zu nehmen.

Wenn das Werkzeug nicht startet, ist der Akku überhitzt. Lassen Sie in dieser Situation den Akku erst abkühlen, bevor Sie wieder den Ein/Aus-Schalter betätigen.

- Spannung des Akkus zu niedrig:

Die noch vorhandene Akkuladung ist zu niedrig und das Werkzeug startet nicht. Nehmen Sie in dieser Situation den Akku ab und laden Sie den Akku wieder auf.

Wahl der Sägebetriebsart (Abb. 3)

Dieses Werkzeug kann mit und ohne Pendelhub (nur Auf- und Abbewegung) betrieben werden. In der Betriebsart mit Pendelhub wird das Sägeblatt während der Sägebewegung nach vorne beschleunigt und die Sägegeschwindigkeit wird bedeutend erhöht.

Zum Ändern der Sägebetriebsart drehen Sie einfach den Hebel zum Wechseln der Sägebetriebsart in die gewünschte Position. Siehe die Tabelle zur Auswahl der richtigen Sägebetriebsart.

Position	Sägebetriebsart	Anwendungen
0	Schnittbetriebsart kein Pendelhub	Für Schnitte in Schmiedestahl, Edelstahl und Plastik. Für saubere Schnitte in Holz und Sperrholz.
I	Schnittbetriebsart kleiner Pendelhub	Für Schnitte in Aluminium, Schmiedestahl und Hartholz.
II	Schnittbetriebsart mittlerer Pendelhub	Für Schnitte in Holz und Sperrholz. Für schnelle Schnitte in Aluminium und Schmiedestahl.
III	Schnittbetriebsart großer Pendelhub	Für schnelle Schnitte in Holz und Sperrholz.

006376

Bedienen des Schalters

⚠️ ACHTUNG:

- Achten Sie vor dem Einsetzen des Akkublocks in das Werkzeug darauf, dass sich der Ein/Aus-Schalter korrekt bedienen lässt und beim Loslassen in die Position „OFF“ (AUS) zurückkehrt. (**Abb. 4**)

Zum Starten des Werkzeugs:

Drücken Sie den Arretierschalter, um das Werkzeug in den Standby-Modus zu bringen. Dadurch wird auch die Lampe eingeschaltet.

Betätigen Sie zum Starten des Werkzeugs den Ein/Aus-Schalter. Lassen Sie zum Ausschalten des Werkzeugs den Ein/Aus-Schalter los.

Betätigen Sie für einen Dauerbetrieb den Ein/Aus-Schalter und drücken Sie dann die Arretiertaste hinein. Zur Aufhebung der Arretierung müssen Sie den Ein/Aus-Schalter bis zum Anschlag betätigen und anschließend loslassen.

Drücken Sie im Standby-Modus den Arretierschalter, um die Lampe auszuschalten und das Werkzeug in den Arretiermodus zu bringen.

HINWEIS:

- Der Arretierschalter lässt sich während des Schneidbetriebs nicht betätigen.
- Wenn sich das Werkzeug im Standby-Modus befindet, leuchtet die Lampe weiter.
- Wird das Werkzeug für 10 Sekunden im Standby-Modus belassen, ohne dass damit gearbeitet wird, schaltet sich das Werkzeug automatisch in den Arretiermodus und die Lampe erlischt.

Einschalten der Lampen

⚠️ ACHTUNG:

- Schauen Sie nicht direkt in die Lampe oder in die Lichtquelle.

Betätigen Sie zum Einschalten der Lampe den Arretierschalter.

Drücken Sie den Arretierschalter erneut, um die Lampe innerhalb von 10 Sekunden auszuschalten.

HINWEIS:

- Wischen Sie Schmutz auf der Lampenlinse mit einem trockenen Tuch ab. Achten Sie darauf, dass die Linse

- der Lampe nicht zerkratzt wird, da dies die Leuchtstärke mindern kann.
- Wird das Werkzeug überhitzt, flackert die Lampe. Lassen Sie das Werkzeug vor dem weiteren Betrieb ganz abkühlen.

Geschwindigkeits-Stellrad (Abb. 5)

Die Werkzeuggeschwindigkeit kann durch Drehen des Geschwindigkeits-Stellrads stufenlos eingestellt werden. Einstellung 6 liefert die höchste Geschwindigkeit, 1 die niedrigste.

Wählen Sie anhand der Tabelle die geeignete Geschwindigkeit für das zu schneidende Werkstück. Die entsprechende Geschwindigkeit kann von der Art und der Dicke des Werkstücks abhängen. Allgemein gilt, dass Sie bei höheren Geschwindigkeiten die Werkstücke schneller schneiden können, allerdings bei geringerer Lebenszeit des Sägeblattes.

Zu schneidendes Werkstück	Zahl am Stellrad
Holz	4 - 6
Weichstahl	3 - 6
Edelstahl	3 - 4
Aluminium	3 - 6
Plastik	1 - 4

013925

⚠️ ACHTUNG:

- Das Geschwindigkeits-Stellrad kann nur bis zur 6 und wieder zurück zur 1 gedreht werden. Drehen Sie es nicht mit Gewalt über die Position 6 oder 1 hinaus, da sonst die Geschwindigkeitseinstellung womöglich nicht mehr richtig funktioniert.

HINWEIS:

- Wenn das Geschwindigkeits-Stellrad auf 3 oder höher eingestellt ist, reduziert das Werkzeug automatisch die Leerlaufgeschwindigkeit, um die Vibration im Leerlauf zu reduzieren. Sobald das Werkzeug unter Last arbeitet, erreicht es seine voreingestellte Geschwindigkeit. Das Werkzeug behält dann diese Geschwindigkeit bei, bis es ausgeschaltet wird. Bei niedrigen Temperaturen ist weniger Feuchtigkeit im Schmierfett und das Werkzeug erreicht auch bei Betrieb des Motors seine Funktion nicht.

MONTAGE

⚠️ ACHTUNG:

- Schalten Sie das Werkzeug stets aus und entfernen Sie den Akkublock, bevor Sie Arbeiten am Werkzeug ausführen.

Montage und Demontage des Sägeblattes

⚠️ ACHTUNG:

- Entfernen Sie stets alle Splitter und sonstiges Fremdmaterial vom Sägeblatt und dem Blatthalter. Tun Sie dies nicht, kann sich das Sägeblatt lösen, was zu schweren Personenschäden führen kann.
- Berühren Sie kurz nach dem Betrieb weder das Sägeblatt noch das Werkstück. Diese können extrem heiß sein und zu Verbrennungen führen.

- Ziehen Sie das Sägeblatt fest an. Zuwiderhandlungen können zu schweren Personenschäden führen.
- Achten Sie beim Entnehmen des Sägeblattes darauf, Ihre Finger nicht an der Blattspitze oder den Kanten des Werkstücks zu verletzen. (Abb. 6)

Stellen Sie vor dem Einbauen des Sägeblattes sicher, dass der Sägeblatthalter sich in der Freigabeposition befindet.

Zum Einbauen des Blattes setzen Sie das Blatt (mit den Zähnen nach vorn zeigend) in den Blatthalter ein, bis es einschnappt. Der Sägeblatthalter bewegt sich von selbst in die verriegelte Position und das Sägeblatt ist verriegelt. Ziehen Sie leicht am Blatt, um zu prüfen, dass das Blatt während des Betriebs nicht herausfällt.

⚠️ ACHTUNG:

- Öffnen Sie den Werkzeugöffner nicht zu weit, da dies das Werkzeug beschädigen kann. (Abb. 7)

Zum Entnehmen des Sägeblattes drücken Sie den Hebel so weit wie möglich nach vorn. Dadurch wird das Sägeblatt freigegeben.

HINWEIS:

- Schmieren Sie die Rolle gelegentlich.

Aufbewahren des Inbusschlüssels (Abb. 8)

Wenn Sie den Inbusschlüssel nicht verwenden, bewahren Sie ihn wie in der Abbildung dargestellt auf, damit er nicht verloren geht.

Abdeckungsplatte (Abb. 9)

Verwenden Sie die Abdeckungsplatte beim Schneiden dekorativer Furniere, Plastik usw. Sie schützt empfindliche Oberflächen vor Beschädigungen. Bringen Sie sie auf der Rückseite des Werkzeuggestrichs an.

Splitterschutz (Abb. 10)

Für splitterfreie Schnitte kann der Splitterschutz verwendet werden. Zur Montage des Splitterschutzes schieben Sie den Gleitschuh ganz nach vorn und bringen den Schutz von hinten am Gleitschuh an. Wenn Sie die Abdeckungsplatte verwenden, bringen Sie den Splitterschutz an der Abdeckungsplatte an.

⚠️ ACHTUNG:

- Der Splitterschutz kann für Gehrungsschnitte nicht verwendet werden.

Staubabsaugung

Der Absaugstutzen (optionales Zubehör) wird für saubere Schnitte empfohlen. (Abb. 11)

Zum Anbringen des Absaugstutzens am Werkzeug setzen Sie den Haken des Absaugstutzens in die Öffnung in den Gleitschuh ein. (Abb. 12)

Zum Sichern des Absaugstutzens ziehen Sie die Klemmschraube auf der Vorderseite des Absaugstutzens an.

Der Absaugstutzen kann an auf der linken oder der rechten Seite des Gleitschuhs befestigt werden. (Abb. 13) Schließen Sie dann ein Makita-Absauggerät an den Absaugstutzen an.

BETRIEB

ACHTUNG:

- Halten Sie den Gleitschuh stets bündig mit dem Werkstück. Tun Sie dies nicht, kann das Sägeblatt brechen, was zu schweren Personenschäden führen kann.

HINWEIS:

- Wenn das Werkzeug bis zur vollständigen Entladung des Akkus betrieben wurde, lassen Sie das Werkzeug 15 Minuten ruhen, bevor Sie die Arbeiten mit einem neuen Akku fortsetzen. (Abb. 14)

Schalten Sie das Werkzeug ein, ohne dass das Sägeblatt Kontakt hat, und warten Sie, bis das Sägeblatt seine volle Geschwindigkeit erreicht. Setzen Sie dann den Gleitschuh flach auf das Werkstück und bewegen Sie das Werkzeug langsam entlang der markierten Schnittlinie nach vorn. Schieben Sie das Werkzeug bei Kurvenschnitten sehr langsam vor.

Gehrungsschnitt (Abb. 15)

ACHTUNG:

- Schalten Sie immer das Werkzeug aus und entfernen Sie den Akkublock, bevor Sie den Gleitschuh neigen.

Mit geneigtem Gleitschuh können Sie Gehrungsschnitte mit einem Winkel von 0° bis 45° (links und rechts) ausführen. (Abb. 16)

Lösen Sie zum Neigen des Gleitschuhs die Schraube auf der Rückseite des Gleitschuhs mit einem Inbusschlüssel. Verschieben Sie den Gleitschuh so, dass die Schraube in der Mitte des Gehrungsschlitzes im Gleitschuh liegt. (Abb. 17)

Drehen Sie den Gleitschuh bis zum gewünschten Winkel. Die V-Kerbe des Getriebegehäuses zeigt den Gehrungswinkel in Einteilungen an. Ziehen Sie dann die Schraube zur Sicherung des Gleitschuhs fest an.

Front-Glattschnitte (Abb. 18)

Lösen Sie die Schraube auf der Rückseite des Gleitschuhs mit dem Inbusschlüssel und schieben Sie den Gleitschuh ganz zurück. Ziehen Sie dann die Schraube zur Sicherung des Gleitschuhs an.

Ausschnitte

Ausschnitte können entweder mit Methode A oder B hergestellt werden.

A) Bohren eines Anfangslochs: (Abb. 19)

- Für Innenschnitte ohne Führungsschnitt von einer Kante aus bohren Sie ein Anfangsloch mit einem Durchmesser von 12 mm oder mehr. Führen Sie das Sägeblatt in dieses Loch ein, und sägen Sie.

B) Tauchsägen: (Abb. 20)

- Ein Anfangsloch oder ein Führungsschnitt ist nicht nötig, wenn Sie vorsichtig wie folgt vorgehen.
1. Kippen Sie das Werkzeug auf die vordere Kante des Gleitschuhs, mit der Sägeblattspitze genau über der Oberfläche des Werkstücks.
 2. Üben Sie Druck auf das Werkzeug aus, sodass die vordere Kante des Gleitschuhs sich nicht bewegt, während Sie das Werkzeug einschalten und die hintere Kante des Gleitschuhs sanft absenken.

3. Während das Sägeblatt in das Werkstück eindringt, senken Sie den Gleitschuh des Werkzeugs langsam auf die Oberfläche des Werkstücks.
4. Beenden Sie den Schnitt wie gewohnt.

Abschließen von Kanten (Abb. 21)

Zum Abkanten oder um Abmessungen anzupassen, führen Sie das Sägeblatt leicht entlang der Schnittkanten.

Metallschnitte

Verwenden Sie beim Sägen von Metall ein geeignetes Kühlmittel (Schneideöl). Zuwiderhandlungen können zu enormer Blattabnutzung führen. Die Unterseite des Werkstücks kann gefettet werden, anstelle der Verwendung eines Kühlmittels.

Parallelanschlagsset (optionales Zubehör)

ACHTUNG:

- Schalten Sie das Werkzeug aus und entnehmen Sie den Akkublock, bevor Sie Zubehörteile einsetzen oder entfernen.

1. Gerader Schnitt (Abb. 22)

Der praktische Parallelanschlag ermöglicht die Ausführung besonders genauer Geradschnitte bei wiederholten Schnittbreiten unter 160 mm. (Abb. 23) Setzen Sie den Parallelanschlag in das rechteckige Loch auf der Seite des Werkzeug-Gleitschuhs ein, mit dem Gehrungsanschlag nach unten. Verschieben Sie den Parallelanschlag auf die gewünschte Schnittbreite, und ziehen Sie die Schraube an, um ihn zu sichern.

2. Runder Schnitt (Abb. 24 und 25)

Zum Sägen von Kreisen oder Bögen mit 170 mm Radius oder weniger bringen Sie den Parallelanschlag wie folgt an.

1. Setzen Sie den Parallelanschlag in das rechteckige Loch auf der Seite des Gleitschuhs ein, mit dem Gehrungsanschlag nach oben. Führen Sie den Kreisführungsstift in eines der beiden Löcher im Gehrungsanschlag ein. Schrauben Sie dann zu dessen Sicherung den Gewindeknopf auf den Stift auf.
2. Verschieben Sie den Parallelanschlag auf den gewünschten Schnittradius und ziehen Sie die Schraube an, um ihn zu sichern. Schieben Sie dann den Gleitschuh ganz nach vorn.

HINWEIS:

- Verwenden Sie immer die Sägeblätter Nr. B-17, B-18, B-26 oder B-27 zum Sägen von Kreisen oder Bögen.

Führungsschienen-Adaptersatz (optionales Zubehör) (Abb. 26)

Beim Sägen paralleler und gleichmäßig breiter oder gerader Schnitte sorgen die Führungsschiene und der Führungsschienenadapter für schnelle und saubere Schnitte.

Um den Führungsschienenadapter anzubringen, führen Sie die Messleiste so weit wie möglich in das eckige Loch im Gleitschuh ein. Sichern Sie die Schraube mit dem Inbusschlüssel. (Abb. 27)

Bringen Sie den Führungsschienenadapter an der Leiste der Führungsschiene an. Setzen Sie die Messleiste in das

eckige Loch im Führungsschienenadapter ein. Bringen Sie den Gleitschuh auf die Seite der Führungsschiene, und ziehen Sie die Schraube fest an. (Abb. 28)

ACHTUNG:

- Verwenden Sie immer die Sägeblätter Nr. B-8, B-13, B-16, B-17 oder 58 mit dem Führungsschienenadapter und der Führungsschiene.

WARTUNG

ACHTUNG:

- Schalten Sie das Gerät stets aus und ziehen Sie den Akkublock ab, bevor Sie Inspektionen oder Wartungsarbeiten am Gerät vornehmen.
- Verwenden Sie zum Reinigen niemals Kraftstoffe, Benzin, Verdünnern, Alkohol oder ähnliches. Dies kann zu Verfärbungen, Verformungen oder Rissen führen.

Zur Gewährleistung von SICHERHEIT und ZUVERLÄSSIGKEIT des Produkts sollten Reparaturen, Wartungsarbeiten und Einstellungen nur durch von Makita autorisierte Servicecenter durchgeführt und ausschließlich Makita-Ersatzteile verwendet werden.

SONDERZUBEHÖR

ACHTUNG:

- Für das in diesem Handbuch beschriebene Makita-Gerät werden die folgenden Zubehör- und Zusatzteile empfohlen. Bei Verwendung anderer Zubehör- und Zusatzteile kann es zu Verletzungen kommen. Verwenden Sie Zubehör- und Zusatzteile nur für den vorgesehenen Zweck.

Informationen zu diesem Zubehör erhalten Sie von Ihrem Makita-Servicecenter.

- Stichsägeblätter
- Inbusschlüssel 4
- Parallelanschlag (Führungsschiene) Satz
- Führungsschienen-Adaptersatz
- Führungsschienenersatz
- Splitterschutz
- Abdeckungsplatte
- Absaugstutzen-Einheit
- Original-Akku und Original-Ladegerät von Makita

HINWEIS:

- Einige der in der Liste aufgeführten Elemente sind dem Werkzeugpaket als Standardzubehör beigelegt. Diese können in den einzelnen Ländern voneinander abweichen.

Schallpegel

ENG905-1

Typischer A-bewerteter Schallpegel nach EN60745:

Modell DJV142

Schalldruckpegel (L_{pA}): 78 dB (A)

Abweichung (K): 3 dB (A)

Unter Arbeitsbedingungen kann der Schalldruck 80 dB (A) überschreiten.

Modell DJV182

Schalldruckpegel (L_{pA}): 77 dB (A)

Abweichung (K): 3 dB (A)

Unter Arbeitsbedingungen kann der Schalldruck 80 dB (A) überschreiten.

Tragen Sie Gehörschutz.

Schwingung

ENG900-1

Schwingungsgesamtwerte (Vektorsumme dreier Achsen) nach EN60745:

Modell DJV142

Betriebsmodus: Sägen von Brettern

Schwingungsbelastung ($a_{h,B}$): 7,0 m/s²

Abweichung (K): 1,5 m/s²

Betriebsmodus: Sägen von Blech

Schwingungsbelastung ($a_{h,M}$): 4,0 m/s²

Abweichung (K): 1,5 m/s²

Modell DJV182

Betriebsmodus: Sägen von Brettern

Schwingungsbelastung ($a_{h,B}$): 7,0 m/s²

Abweichung (K): 1,5 m/s²

Betriebsmodus: Sägen von Blech

Schwingungsbelastung ($a_{h,M}$): 3,5 m/s²

Abweichung (K): 1,5 m/s²

ENG901-1

- Der hier angegebene Wert für die erzeugten Schwingungen wurde gemäß dem genormten Testverfahren ermittelt und kann als Vergleich zu anderen Werkzeugen herangezogen werden.
- Der angegebene Wert für die erzeugten Schwingungen ist außerdem für eine vorbeugende Bewertung der Belastung zu verwenden.

WARNUNG:

- Die Schwingungsbelastung kann bei tatsächlichem Gebrauch des Elektrowerkzeugs in Abhängigkeit von der Handhabung des Elektrowerkzeugs von dem hier aufgeführten Wert abweichen.
- Stellen Sie sicher, dass Schutzmaßnahmen für den Bediener getroffen werden, die auf den unter den tatsächlichen Arbeitsbedingungen zu erwartenden Belastungen beruhen (beziehen Sie alle Bestandteile des Arbeitsablaufs ein, also zusätzlich zu den Arbeitszeiten auch Zeiten, in denen das Werkzeug ausgeschaltet ist oder ohne Last läuft).

Nur für europäische Länder

ENH101-17

EG-Konformitätserklärung

Makita erklärt, dass die nachfolgende(n) Maschine(n):

Bezeichnung der Maschine(n):

Akku-Stichsäge

Nummer/Typ des Modells: DJV142, DJV182

den folgenden Richtlinien der Europäischen Union

genügt/genügen:

2006/42/EG

Sie werden gemäß den folgenden Standards oder

Normen gefertigt:

EN60745

Die technischen Unterlagen gemäß 2006/42/EG sind
erhältlich von:

Makita, Jan-Baptist Vinkstraat 2, 3070, Belgien

31. 12. 2013



Yasushi Fukaya

Direktor

Makita, Jan-Baptist Vinkstraat 2, 3070, Belgien

ITALIANO (Istruzioni originali)

Spiegazione della vista generale

- | | | |
|---|--------------------------------|------------------------------------|
| 1. Indicatore rosso | 12. Lama della sega da traforo | 24. Tacca a V |
| 2. Pulsante | 13. Base | 25. Alloggiamento dell'ingranaggio |
| 3. Batteria | 14. Chiave esagonale | 26. Foro iniziale |
| 4. Contrassegno a stella | 15. Piastra di copertura | 27. Guida di taglio |
| 5. Leva di commutazione dell'azione di taglio | 16. Dispositivo anti-schegge | 28. Guida di appoggio |
| 6. Interruttore di blocco | 17. Ugello antipolvere | 29. Pomello filettato |
| 7. Interruttore di accensione | 18. Vite di serraggio | 30. Perno di guida circolare |
| 8. Pulsante di blocco | 19. Tubo per aspirapolvere | 31. Righello |
| 9. Ghiera di regolazione della velocità | 20. Linea di taglio | 32. Adattatore per binario guida |
| 10. Posizione fissa | 21. Bullone | 33. Vite |
| 11. Posizione di sblocco | 22. Fessura per tagli obliqui | 34. Binario guida |
| | 23. Regolazioni | |

SPECIFICHE TECNICHE

Modello		DJV142	DJV182
Lunghezza del colpo		26 mm	26 mm
Capacità massima di taglio	Legno	135 mm	135 mm
	Acciaio dolce	10 mm	10 mm
	Alluminio	20 mm	20 mm
Colpi al minuto (min ⁻¹)		800 - 3.500	800 - 3.500
Lunghezza complessiva		264 mm	266 mm
Peso netto		2,5 kg	2,6 kg
Tensione nominale		14,4 V CC	18 V CC

- Le caratteristiche tecniche riportate di seguito sono soggette a modifiche senza preavviso in virtù del nostro programma continuo di ricerca e sviluppo.
- Le caratteristiche tecniche e le batterie possono differire da paese a paese.
- Peso, comprensivo di batterie, calcolato in base alla Procedura EPTA 01/2003

Uso previsto

ENE019-1

Questo utensile è progettato per segare legno, plastica e materiali metallici. A seguito del programma completo per la lama della sega e gli accessori, l'utensile può essere utilizzato per molti scopi ed è particolarmente adatto per tagli curvi o circolari.

Avvertenze generali di sicurezza per l'uso dell'utensile

GEA010-1

⚠ AVVERTENZA Leggere attentamente tutte le avvertenze di sicurezza e le istruzioni. La mancata osservanza delle istruzioni e delle avvertenze riportate di seguito potrebbe provocare scosse elettriche, incendi e/o lesioni gravi.

Conservare le avvertenze e le istruzioni per riferimenti futuri.

AVVERTENZE DI SICUREZZA PER LA SEGA DA TRAFORO A BATTERIA

GEA045-2

1. Se vengono eseguite operazioni in cui l'accessorio di taglio può toccare fili nascosti, impugnare l'utensile con i punti di presa isolati. Se l'accessorio da taglio entra a contatto con un filo percorso da corrente, le parti metalliche esposte dell'utensile si troveranno anch'esse sotto tensione e potrebbero provocare scosse elettriche all'operatore.
2. **Fissare e sostenere il pezzo in lavorazione su una superficie stabile utilizzando morsetti o metodi analoghi.** Sorreggere il pezzo con le mani o contro il proprio corpo lo rende instabile e può causare la perdita di controllo.
3. **Utilizzare sempre occhiali di protezione o di sicurezza. I comuni occhiali da vista o da sole NON sono occhiali di sicurezza.**
4. **Evitare di tagliare chiodi. Controllare che il pezzo in lavorazione non contenga chiodi e rimuoverli prima di azionare l'attrezzo.**
5. **Non tagliare pezzi in lavorazione sovradimensionati.**
6. **Prima di azionare l'utensile, controllare che davanti al pezzo in lavorazione sia disponibile spazio a sufficienza per evitare di colpire con la lama il pavimento, il banco di lavoro e così via.**
7. **Tenere l'utensile in modo saldo.**
8. **Verificare che la lama non tocchi il pezzo in lavorazione prima che l'interruttore sia acceso.**
9. **Mantenere le mani lontano dalle parti in movimento.**
10. **Non lasciare l'utensile acceso. Azionare l'utensile solo dopo averlo impugnato.**
11. **Prima di rimuovere la lama, spegnere l'utensile ed aspettare che la lama si fermi completamente.**

12. Non toccare la lama o il pezzo in lavorazione subito dopo aver utilizzato l'utensile in quanto possono raggiungere temperature elevate e provocare ustioni.
13. Non azionare inutilmente l'utensile a vuoto.
14. Alcuni materiali contengono prodotti chimici che possono essere tossici. Prendere le adeguate precauzioni per evitare l'inalazione della polvere e il contatto con la pelle. Attenersi alle istruzioni per la sicurezza del fornitore dei materiali.
15. Usare sempre una maschera antipolvere e/o il respiratore appropriati al materiale e all'applicazione.

CONSERVARE QUESTE ISTRUZIONI.

⚠ AVVERTENZA:
NON lasciare che la familiarità acquisita con il prodotto (dovuta all'uso ripetuto) provochi l'inosservanza delle norme di sicurezza. L'USO IMPROPRIO o la mancata osservanza delle norme di sicurezza indicate in questo manuale di istruzioni possono provocare gravi danni alla persona.

ISTRUZIONI IMPORTANTI PER LA SICUREZZA

ENC007-8

RELATIVE ALLA BATTERIA

1. Prima di utilizzare la batteria, leggere tutte le istruzioni e gli avvisi di sicurezza relativi a (1) caricabatteria, (2) batteria e (3) prodotto utilizzato con la batteria.
2. Non smontare la batteria.
3. Se il tempo di funzionamento è diventato eccessivamente breve, non utilizzare l'utensile. Potrebbero verificarsi surriscaldamenti, ustioni o esplosioni.
4. In caso di contatto dell'elettrolita della batteria con gli occhi, sciacquare con acqua fresca e rivolgersi immediatamente a un medico. Potrebbero verificarsi danni permanenti alla funzionalità visiva.
5. Non cortocircuitare la batteria:
 - (1) Non toccare i terminali della batteria con materiale in grado di condurre elettricità.
 - (2) Evitare di conservare la batteria a contatto con oggetti metallici quali chiodi, monete e così via.
 - (3) Non esporre le batterie all'acqua o alla pioggia.

Un cortocircuito può provocare un elevato flusso di corrente, surriscaldamento, ustioni o rotture.
6. Non conservare l'utensile e la batteria a una temperatura superiore a 50 °C.
7. Evitare di smaltire le batterie danneggiate o esaurite bruciandole. Se esposte al fuoco, le batterie possono esplodere.
8. Evitare di far cadere o di colpire la batteria.
9. Non utilizzare batterie danneggiate.
10. Attenersi alle normative della propria area geografica relative allo smaltimento delle batterie.

CONSERVARE QUESTE ISTRUZIONI.

Suggerimenti il prolungamento della durata della batteria

1. Caricare le batterie prima di scaricarle completamente.
 Se si nota una diminuzione di potenza dell'utensile, interrompere il lavoro e ricaricare la batteria.
2. Non ricaricare una batteria già completamente carica.
 In caso contrario, la durata operativa della batteria potrebbe ridursi.
3. Caricare la batteria in ambienti con temperatura compresa tra 10 °C e 40 °C. Prima di caricare una batteria surriscaldata, lasciarla raffreddare.
4. Caricare la batteria una volta ogni sei mesi se l'utensile rimane inutilizzato per lungo tempo.

DESCRIZIONE FUNZIONALE

⚠ ATTENZIONE:

- Prima di regolare o controllare le funzioni dell'utensile, verificare sempre di averlo spento e di aver rimosso la batteria.

Installazione o rimozione della batteria (Fig. 1)

⚠ ATTENZIONE:

- Spegnere sempre l'utensile prima di inserire o rimuovere la batteria.
- **Tenere saldamente l'utensile e la batteria durante l'inserimento o la rimozione della batteria stessa.** In caso contrario, l'utensile e la batteria potrebbero scivolare dalle mani, con conseguenti danni all'utensile, alla batteria e alla persona.

Per rimuovere la batteria è sufficiente estrarla dall'utensile facendo scorrere il pulsante sulla parte anteriore della batteria.

Per inserire la batteria, allineare la linguetta della batteria con la scanalatura nell'alloggiamento e farla scorrere in posizione. Inserire a fondo la batteria fino a bloccarla in posizione con uno scatto. Se è visibile l'indicatore rosso sul lato superiore del pulsante, significa che la batteria non è completamente inserita.

⚠ ATTENZIONE:

- Inserire sempre a fondo la batteria, fino alla scomparsa dell'indicatore rosso. In caso contrario, la batteria potrebbe fuoriuscire accidentalmente dall'utensile, provocando danni all'operatore o a eventuali osservatori.
- Non forzare l'inserimento della batteria. Se la batteria non scorre agevolmente, significa che la manovra di inserimento non è corretta.

Sistema di protezione della batteria (batteria agli ioni di litio con contrassegno a stella) (Fig. 2)

Le batterie agli ioni di litio con contrassegno a stella sono dotate di un sistema di protezione. Questo sistema

interrompe automaticamente l'alimentazione dell'utensile per prolungare la durata della batteria.

L'utensile si spegne automaticamente durante l'uso se l'utensile stesso e/o la batteria si trovano in una delle seguenti condizioni:

- **Sovraccarico:**

La modalità d'uso dell'utensile provoca un assorbimento anomalo di corrente. In questa situazione rilasciare l'interruttore di accensione dell'utensile e interrompere l'operazione che ha provocato il sovraccarico dell'utensile stesso. Quindi azionare nuovamente l'interruttore di accensione per riavviare l'utensile.

Se l'utensile non si avvia, si è verificato un surriscaldamento della batteria. In questa situazione lasciar raffreddare la batteria prima di azionare nuovamente l'interruttore di accensione.

- **Bassa tensione della batteria:**

La capacità residua della batteria è troppo bassa e non consente di utilizzare l'utensile. In questo caso, rimuovere e ricaricare la batteria.

Selezione dell'azione di taglio (Fig. 3)

L'utensile può essere utilizzato con un'azione di taglio a linea orbitale o dritta (su e giù). L'azione di taglio orbitale spinge la lama in avanti sul colpo di taglio e aumenta notevolmente la velocità di taglio.

Per modificare l'azione di taglio è sufficiente portare la leva di commutazione dell'azione di taglio sulla posizione desiderata di azione di taglio. Consultare la tabella per selezionare l'azione di taglio appropriata.

Posizione	Azione di taglio	Applicazioni
0	Azione di taglio a linea dritta	Per tagliare l'acciaio dolce, l'acciaio inossidabile e la plastica. Per tagli netti nel legno e nel compensato.
I	Azione di taglio orbitale piccola	Per tagliare acciaio dolce, alluminio e legno duro.
II	Azione di taglio orbitale media	Per tagliare legno e compensato. Per tagli rapidi nell'alluminio e nell'acciaio dolce.
III	Azione di taglio orbitale grande	Per tagliare rapidamente legno e compensato.

006376

Azionamento dell'interruttore

ATTENZIONE:

- Prima di inserire la batteria nell'utensile, controllare se l'interruttore funziona correttamente e ritorna in posizione "OFF" una volta rilasciato. (Fig. 4)

Per avviare l'utensile:

Premere l'interruttore di blocco per portare l'utensile in modalità di standby. In questo modo, viene anche accesa la spia.

Azionare l'interruttore di accensione per avviare l'utensile. Rilasciare l'interruttore per spegnerlo.

Per il funzionamento continuo, azionare l'interruttore di accensione e, successivamente, il pulsante di blocco.

Per arrestare l'utensile in funzionamento continuo, premere a fondo l'interruttore e, quindi, rilasciarlo. In modalità di standby, premere l'interruttore di blocco per spegnere la spia e portare l'utensile in modalità di blocco.

NOTA:

- L'interruttore di blocco non funziona durante le operazioni di taglio.
- Quando l'utensile è in modalità di standby, la spia continua a rimanere accesa.
- Se l'utensile rimane per 10 secondi inattivo in modalità di standby, passa automaticamente in modalità di blocco e la spia si spegne.

Accensione delle spie

ATTENZIONE:

- Non guardare direttamente la spia o la sorgente luminosa.

Per accendere la spia, premere l'interruttore di blocco. Per spegnere la spia entro 10 secondi, premere nuovamente l'interruttore di blocco.

NOTA:

- Utilizzare un panno asciutto per pulire la lente della spia. Prestare attenzione a non graffiare la lente della spia per evitare riduzioni dell'intensità luminosa.
- In caso di surriscaldamento dell'utensile, la spia lampeggia. Raffreddare completamente l'utensile prima di riutilizzarlo.

Ghiera di regolazione della velocità (Fig. 5)

Per regolare la velocità dell'utensile in maniera indefinita ruotare la ghiera di regolazione della velocità. 6 corrisponde alla velocità massima, 1 alla velocità minima. Consultare la tabella per selezionare la velocità corretta per il pezzo da tagliare. Tuttavia, la velocità appropriata dipende anche dal tipo e dallo spessore del pezzo in lavorazione. In genere, velocità superiori consentono un taglio più rapido dei pezzi, ma riducono la durata di servizio della lama.

Pezzo in lavorazione da tagliare	Numero sulla ghiera di regolazione
Legno	4 - 6
Acciaio dolce	3 - 6
Acciaio inossidabile	3 - 4
Alluminio	3 - 6
Plastica	1 - 4

013925

ATTENZIONE:

- La ghiera di regolazione della velocità può essere ruotata soltanto fino a 6 o indietro fino a 1. Non forzarla oltre 6 o 1: potrebbe non funzionare più correttamente.

NOTA:

- Quando la ghiera di regolazione della velocità si trova a livello 3 o superiore, l'utensile riduce automaticamente la velocità a vuoto per ridurre le vibrazioni a vuoto. Una volta caricato, l'utensile raggiunge la velocità preimpostata. Quindi l'utensile mantiene la stessa velocità fino a quando non viene spento. In caso di basse temperature e conseguente minore fluidità del

grasso, l'utensile potrebbe non svolgere questa funzione anche con il motore in rotazione.

MONTAGGIO

ATTENZIONE:

- Prima di eseguire qualsiasi operazione sull'utensile, verificare sempre di averlo spento e di aver rimosso la batteria.

Montaggio e smontaggio della lama

ATTENZIONE:

- Rimuovere sempre tutte le schegge o le sostanze estranee che si attaccano alla lama e/o al supporto della lama. La mancata osservanza di questa operazione può far sì che il fissaggio della lama risulti insufficiente, provocando lesioni personali gravi.
- Non toccare la lama o il pezzo in lavorazione subito dopo aver utilizzato l'utensile in quanto possono raggiungere temperature elevate e provocare ustioni.
- Serrare saldamente la lama della sega. La mancata osservanza di questa operazione può provocare ferite gravi.
- Quando si rimuove la lama della sega, fare attenzione a non danneggiarsi le dita con la parte superiore della lama o le punte del pezzo in lavorazione. **(Fig. 6)**

Prima di installare la lama, assicurarsi che il relativo supporto si trovi nella posizione di sblocco. Per installare la lama, inserirla (coi denti rivolti in avanti) nell'apposito supporto fino a che non avviene l'innesto. Il supporto della lama si sposta nella posizione fissa da solo, bloccando la lama. Tirare leggermente la lama per verificare che non possa cadere durante l'uso.

ATTENZIONE:

- Non aprire eccessivamente l'apriutensile, o l'utensile potrebbe rimanere danneggiato. **(Fig. 7)**

Per rimuovere la lama, premere in avanti l'apriutensile fino in fondo. In questo modo la lama viene rilasciata.

NOTA:

- Lubrificare il rullo di tanto in tanto.

Alloggiamento della chiave esagonale (Fig. 8)

Per evitare di perdere la chiave esagonale quando non è in uso, conservarla nella posizione illustrata nella figura.

Piastra di copertura (Fig. 9)

Usare la piastra di copertura quando si tagliano impiallacciate decorative, plastica, ecc. In questo modo le superfici sensibili o delicate vengono protette. Inserirla sul retro della base dell'utensile.

Dispositivo anti-schegge (Fig. 10)

Per eseguire tagli senza schegge è possibile utilizzare il dispositivo anti-schegge. Per installare il dispositivo anti-schegge, spostare la base dell'utensile completamente in avanti e inserirlo dal retro della base dell'utensile. Quando si utilizza la piastra di copertura, installare il dispositivo anti-schegge su di essa.

ATTENZIONE:

- Il dispositivo anti-schegge non può essere utilizzato quando si eseguono tagli obliqui.

Estrazione della polvere

L'ugello antipolvere (accessorio opzionale) è consigliato per l'esecuzione di tagli netti. **(Fig. 11)**
Per installare l'ugello antipolvere sull'utensile, inserire il relativo gancio nel foro alla base. **(Fig. 12)**
Per fissare l'ugello antipolvere, serrare la vite di serraggio sulla parte anteriore dell'ugello antipolvere.
L'ugello antipolvere può essere installato sul lato sinistro o destro della base. **(Fig. 13)**
Collegare quindi un aspirapolvere Makita all'ugello antipolvere.

USO

ATTENZIONE:

- Tenere sempre la base allineata al pezzo in lavorazione. La mancata osservanza di questa istruzione può provocare la rottura della lama e gravi infortuni.

NOTA:

- Se si utilizza continuamente l'utensile fino al completo scaricamento della batteria, attendere 15 minuti prima di continuare a utilizzarlo con una nuova batteria. **(Fig. 14)**

Accendere l'utensile senza che la lama entri in contatto con il pezzo e attendere che la lama raggiunga la massima velocità. Appoggiare quindi la base sul pezzo in lavorazione e spostare delicatamente l'utensile lungo la linea di taglio contrassegnata in precedenza. Quando si eseguono tagli curvi, far avanzare l'utensile molto lentamente.

Tagli obliqui (Fig. 15)

ATTENZIONE:

- Prima di inclinare la base, verificare sempre di aver spento l'utensile e di aver rimosso la batteria. Con la base inclinata, è possibile effettuare tagli obliqui a qualsiasi angolazione compresa tra 0° e 45° (a sinistra o destra). **(Fig. 16)**

Per inclinare la base, allentare il bullone sul retro della base stessa con la chiave esagonale. Spostare la base in modo che il bullone venga posizionato al centro della fessura per tagli obliqui nella base. **(Fig. 17)**
Inclinare la base fino a ottenere l'angolo di taglio obliquo desiderato. La tacca a V dell'alloggiamento dell'ingranaggio indica diverse regolazioni per l'angolo di taglio obliquo. Serrare quindi saldamente il bullone per fissare la base.

Tagli allineati frontali (Fig. 18)

Allentare il bullone nella parte posteriore della base con la chiave esagonale e far scorrere indietro del tutto la base. Serrare il bullone per fissare la base.

Intagli

Gli intagli possono essere eseguiti in due modalità, A o B.

A) Alesatura di un foro iniziale: (Fig. 19)

- Per gli tagli interni senza un taglio di ingresso da un lato, effettuare preventivamente un foro iniziale con diametro di almeno 12 mm. Inserire la lama in questo foro per iniziare il taglio.

B) Taglio a immersione: (Fig. 20)

- Non è necessario alesare un foro iniziale o effettuare un taglio di ingresso se si segue con attenzione la seguente procedura.
1. Inclinare l'utensile verso l'alto sul lato anteriore della base con la punta della lama posizionata appena sopra la superficie del pezzo in lavorazione.
 2. Applicare pressione sull'utensile in modo che il lato anteriore della base non si sposti quando si accende l'utensile, quindi abbassare lentamente il lato posteriore dell'utensile.
 3. Quando la lama entra nel pezzo, abbassare lentamente la base dello strumento nella superficie del pezzo in lavorazione.
 4. Completare il taglio nel modo normale.

Rifinitura bordi (Fig. 21)

Per tagliare contorni o effettuare regolazioni dimensionali, passare leggermente la lama lungo i contorni del taglio.

Taglio di metalli

Quando si taglia materiale metallico, utilizzare sempre un refrigerante adatto (olio da taglio). Diversamente, si potrebbe verificare causare una notevole usura della lama. Il lato inferiore del pezzo in lavorazione può essere ingrassato (al posto dell'uso del refrigerante).

Set guida di taglio (accessorio opzionale)

⚠ ATTENZIONE:

- Prima di installare o rimuovere gli accessori, verificare sempre che l'utensile sia spento e che la batteria sia stata rimossa.

1. Tagli orizzontali (Fig. 22)

Quando si eseguono ripetutamente tagli di larghezza 160 mm o meno, l'utilizzo della guida di taglio assicura tagli rapidi, netti e dritti. (Fig. 23)

Per installare la guida di taglio, inserirla nel foro rettangolare sul lato della base dell'utensile con la guida di appoggio stessa rivolta verso il basso. Far scorrere la guida di taglio nella posizione della larghezza di taglio desiderata, quindi serrare il bullone per fissarla.

2. Tagli circolari (Fig. 24 e 25)

Quando si eseguono tagli circolari o ad arco con un raggio non superiore a 170 mm, installare la guida di taglio come di seguito indicato.

1. Inserire la guida di taglio nel foro rettangolare sul lato della base dell'utensile con la guida di appoggio stessa rivolta verso l'alto. Inserire il perno di guida circolare attraverso uno dei due fori sulla guida di appoggio. Avvitare il pomello filettato sul perno per fissarlo.
2. Ora, far scorrere la guida di taglio fino al raggio di taglio desiderato, quindi serrare il bullone per fissarla in posizione. A questo punto, far avanzare fino in fondo la base.

NOTA:

- Utilizzare sempre le lame N. B-17, B-18, B-26 o B-27 quando si eseguono tagli circolari o ad arco.

Set adattatore per binario guida (accessorio opzionale) (Fig. 26)

Quando si eseguono tagli con larghezza parallela e uniforme o dritti, l'uso del binario guida e del relativo adattatore garantiscono l'esecuzione di tagli rapidi e netti. Per installare l'adattatore del binario guida, inserire il righello nel foro quadrato della base fino in fondo. Fissare saldamente il bullone con la chiave esagonale. (Fig. 27) Installare l'adattatore del binario guida sul binario stesso. Inserire il righello nel foro quadrato dell'adattatore del binario guida. Collocare la base sul lato del binario guida, quindi fissare saldamente il bullone. (Fig. 28)

⚠ ATTENZIONE:

- Utilizzare sempre le lame N. B-8, B-13, B-16, B-17 o 58 quando si impiegano il binario guida e il relativo adattatore.

MANUTENZIONE

⚠ ATTENZIONE:

- Prima di effettuare controlli e operazioni di manutenzione, verificare sempre di aver spento l'utensile e di aver rimosso la batteria.
- Evitare assolutamente di usare benzina, diluenti, solventi, alcol o sostanze simili. In caso contrario, potrebbero verificarsi scoloriture, deformazioni o incrinature.

Per preservare la SICUREZZA e l'AFFIDABILITÀ del prodotto, qualsiasi riparazione o intervento di manutenzione e regolazione deve essere eseguito dai centri assistenza autorizzati Makita utilizzando sempre ricambi Makita.

ACCESSORI OPZIONALI

⚠ ATTENZIONE:

- Si consiglia l'uso dei seguenti accessori per l'utensile Makita descritto in questo manuale. L'uso di qualsiasi altro accessorio potrebbe provocare lesioni personali. Utilizzare gli accessori esclusivamente per l'uso dichiarato.

Per l'assistenza e per ulteriori informazioni su tali accessori, rivolgersi al centro assistenza Makita di zona.

- Lama della sega da traforo
- Chiave esagonale da 4
- Set guida di taglio (righello guida)
- Set adattatore per binario guida
- Set binario guida
- Dispositivo anti-schegge
- Piastra di copertura
- Ugello antipolvere completo
- Batteria e caricabatteria originali Makita

NOTA:

- Alcuni degli accessori elencati potrebbero essere inclusi nella confezione dell'utensile come accessori standard. Gli accessori standard possono differire da paese a paese.

Rumore

ENG905-1

Il tipico livello di rumore ponderato A è determinato in conformità alla norma EN60745:

Modello DJV142

Livello di pressione sonora (L_{pA}): 78 dB (A)

Variazione (K): 3 dB (A)

Il livello acustico in esercizio può superare 80 dB (A).

Modello DJV182

Livello di pressione sonora (L_{pA}): 77 dB (A)

Variazione (K): 3 dB (A)

Il livello acustico in esercizio può superare 80 dB (A).

Indossare una protezione acustica.

Vibrazioni

ENG900-1

Il valore totale delle vibrazioni (somma vettoriale triassiale) è determinato in conformità alla norma EN60745:

Modello DJV142

Modalità operativa: piani di taglio

Emissione di vibrazioni ($a_{h,M}$): 7,0 m/s²

Variazione (K): 1,5 m/s²

Modalità operativa: taglio di lamine di metallo

Emissione di vibrazioni ($a_{h,M}$): 4,0 m/s²

Variazione (K): 1,5 m/s²

Modello DJV182

Modalità operativa: piani di taglio

Emissione di vibrazioni ($a_{h,B}$): 7,0 m/s²

Variazione (K): 1,5 m/s²

Modalità operativa: taglio di lamine di metallo

Emissione di vibrazioni ($a_{h,M}$): 3,5 m/s²

Variazione (K): 1,5 m/s²

ENG901-1

- Il valore di emissione delle vibrazioni dichiarato è stato misurato in conformità con il metodo di test standard e può essere utilizzato per confrontare tra loro diversi utensili.
- Il valore dell'emissione delle vibrazioni dichiarato può anche essere usato per stime preliminari dell'esposizione.

AVVERTENZA:

- L'emissione delle vibrazioni durante l'uso effettivo dell'utensile elettrico può risultare diversa rispetto al valore dichiarato, in base alla modalità d'uso dell'utensile.
- Assicurarsi di individuare le necessarie misure di sicurezza per proteggere l'operatore in base a una stima dell'esposizione nelle condizioni reali di utilizzo (prendendo in considerazione tutte le fasi del ciclo operativo, come quante volte l'utensile viene spento e i periodi in cui rimane inattivo, oltre al tempo di avviamento).

Solo per i paesi europei

ENH101-17

Dichiarazione di conformità CE

Makita dichiara che le macchine seguenti:

Denominazione dell'utensile:

Sega da traforo a batteria

N. modello/Tipo: DJV142, DJV182

sono conformi alle seguenti direttive europee:

2006/42/EC

Sono prodotte in conformità agli standard o ai documenti standardizzati riportati di seguito:

EN60745

Il documento tecnico ai sensi della Direttiva europea 2006/42/EC è disponibile presso:

Makita, Jan-Baptist Vinkstraat 2, 3070, Belgio

31. 12. 2013



Yasushi Fukaya

Direttore

Makita, Jan-Baptist Vinkstraat 2, 3070, Belgio

NEDERLANDS (Originele instructies)

Verklaring van het onderdelenoverzicht

1. Rode deel	13. Zool	25. Tandwielhuis
2. Knop	14. Inbussleutel	26. Begingat
3. Accu	15. Dekplaat	27. Breedtegeleider
4. Ster-merkteken	16. Antisplinterhulpstuk	28. Geleider
5. Zaagmethode-keuzehendel	17. Stofafzuigaansluitmond	29. Knop met schroefdraad
6. Vergrendelknop	18. Klenschroef	30. Cirkelgeleiden
7. Aan/uit-schakelaar	19. Slang naar stofzuiger	31. Lijniaal
8. Vastzetknop	20. Zaaglijn	32. Geleideradapter
9. Snelheidsregelaar	21. Bout	33. Schroef
10. Vergrendelde stand	22. Verstekgleuf	34. Geleiderail
11. Ontgrendelde stand	23. Schaalverdeling	
12. Decoupeerzaagblad	24. V-naad	

TECHNISCHE GEGEVENS

Model		DJV142	DJV182
Slaglengte		26 mm	26 mm
Max. zaagdikte	Hout	135 mm	135 mm
	Zacht staal	10 mm	10 mm
	Aluminium	20 mm	20 mm
Aantal snijbewegingen per minuut (min ⁻¹)		800 - 3.500	800 - 3.500
Totale lengte		264 mm	266 mm
Nettogewicht		2,5 kg	2,6 kg
Nominale spanning		14,4 volt gelijkstroom	18 volt gelijkstroom

- Als gevolg van ons doorlopende onderzoeks- en ontwikkelingsprogramma, zijn de technische gegevens van dit gereedschap onderhevig aan veranderingen zonder voorafgaande kennisgeving.
- Specificaties en accu's kunnen van land tot land verschillen.
- Gewicht, inclusief de accu, volgens de EPTA-procedure 01/2003

Gebruiksdoel ENE019-1

Dit gereedschap is bedoeld voor het zagen van hout, kunststof en metaal. Door het uitgebreide assortiment accessoires en zaagbladen, kan het gereedschap worden gebruikt voor vele doeleinden en is het zeer geschikt voor gebogen of cirkelvormige zaagsneden.

Algemene veiligheidsaankuwingen voor elektrisch gereedschap GEA010-1

⚠ WAARSCHUWING Lees alle veiligheidsaankuwingen en alle instructies. Het niet volgen van de waarschuwingen en instructies kan leiden tot elektrische schokken, brand en/of ernstig letsel.

Bewaar alle waarschuwingen en instructies om in de toekomst te kunnen raadplegen.

VEILIGHEIDSWAARSCHUWINGEN SPECIFIEK VOOR EEN ACCUDECOUPEERZAAG GEB045-2

1. Houd het elektrisch gereedschap vast aan het geïsoleerde oppervlak van de handgrepen wanneer u werkt op plaatsen waar het accessoire

met verborgen bedrading in aanraking kan komen.

- Wanneer het accessoire in aanraking komen met onder spanning staande draden, zullen de niet-geïsoleerde metalen delen van het gereedschap onder spanning komen te staan zodat de gebruiker een elektrische schok kan krijgen.
2. **Gebruik klemmen of een andere praktische methode om het werkstuk op een stabiele ondergrond te bevestigen en ondersteunen.** Als u het werkstuk in uw hand of tegen uw lichaam geklemd houdt, is het onvoldoende stabiel en kunt u de controle erover verliezen.
 3. **Gebruik altijd een beschermende bril of een veiligheidsbril. Een gewone bril of een zonnebril is GEEN veiligheidsbril.**
 4. **Voorkom dat u in spijkers zaagt. Inspecteer het werkstuk op spijkers en verwijder deze alvorens erin te zagen.**
 5. **Zaag geen te grote werkstukken.**
 6. **Controleer op voldoende vrije speling rondom het werkstuk alvorens te zagen, zodat het blad de vloer, werkbank, enz., niet raakt.**
 7. **Houd het gereedschap stevig vast.**
 8. **Zorg ervoor dat het blad het werkstuk niet raakt voordat u het gereedschap hebt ingeschakeld.**
 9. **Houd uw handen uit de buurt van bewegende delen.**

10. Laat het gereedschap niet ingeschakeld liggen. Bedien het gereedschap alleen wanneer u het vasthoudt.
 11. Schakel het gereedschap uit en wacht altijd tot het blad volledig tot stilstand is gekomen voordat u het blad uit het werkstuk verwijdert.
 12. Raak het zaagblad en het werkstuk niet onmiddellijk na gebruik aan. Zij kunnen bijzonder heet zijn en brandwonden op uw huid veroorzaken.
 13. Laat het gereedschap niet onnodig onbelast draaien.
 14. Sommige materialen bevatten chemische stoffen die giftig kunnen zijn. Neem voorzorgsmaatregelen tegen het inademen van stof en contact met de huid. Volg de veiligheidsinstructies van de leverancier van het materiaal op.
 15. Gebruik altijd het juiste stofmasker/ ademhalingsapparaat voor het materiaal en de toepassing waarmee u werkt.
6. Bewaar het gereedschap en de accu niet op plaatsen waar de temperatuur kan oplopen tot 50 °C of hoger.
 7. Werp de accu niet in een vuur, zelfs niet als deze al ernstig beschadigd of helemaal versleten is. De accu kan in een vuur exploderen.
 8. Wees voorzichtig dat u de accu niet laat vallen of ergens tegenaan stoot.
 9. Gebruik nooit een beschadigde accu.
 10. Neem de plaatselijke regelgeving met betrekking tot het weggooien van de accu in acht.

BEWAAR DEZE INSTRUCTIES.

Tips voor een lange levensduur van de accu

1. Laad de accu op voordat deze volledig leeg is. Wanneer u merkt dat het gereedschap minder vermogen heeft, stopt u met het gebruik ervan en laadt u eerst de accu op.
2. Laad nooit een volledig opgeladen accu op. Te lang opladen verkort de levensduur van de accu.
3. Laad de accu op bij een omgevingstemperatuur van 10 °C tot 40 °C. Laat een warme accu eerst afkoelen voordat u deze oplaadt.
4. Laad de accu ieder half jaar op als u deze gedurende een lange tijd niet gebruikt.

BEWAAR DEZE INSTRUCTIES.

⚠ WAARSCHUWING:

Laat u NIET misleiden door een vals gevoel van comfort en bekendheid met het gereedschap (na veelvuldig gebruik) en neem alle veiligheidsvoorschriften van het betreffende product altijd strikt in acht. VERKEERD GEBRUIK of het niet volgen van de veiligheidsinstructies in deze gebruiksaanwijzing kan leiden tot ernstig persoonlijk letsel.

BELANGRIJKE VEILIGHEIDSinSTRUCTIES ENC007-8

VOOR ACCU'S

1. Alvorens de accu in gebruik te nemen, leest u eerst alle instructies en waarschuwingsofschriften op (1) de acculader, (2) de accu en (3) het apparaat waarin de accu wordt aangebracht.
2. Haal de accu niet uit elkaar.
3. Als de gebruikstijd aanzienlijk korter is geworden, stopt u onmiddellijk met het gebruik. Anders kan dit leiden tot kans op oververhitting, mogelijke brandwonden en zelfs een explosie.
4. Als de elektrolyt in uw ogen komt, wast u deze uit met schoon water en raadpleegt u onmiddellijk een arts. Dit kan leiden tot verlies van gezichtsvermogen.
5. Sluit de accu niet kort:
 - (1) Raak de accupolen niet aan met enig geleidend materiaal.
 - (2) Bewaar de accu niet op een plaats waar deze in aanraking kan komen met andere metalen voorwerpen, zoals spijkers, munten, enz.
 - (3) Stel de accu niet bloot aan water of regen. Kortsluiting van de accu kan leiden tot een hoge stroomsterkte, oververhitting, mogelijke brandwonden en zelfs een defect.

BESCHRIJVING VAN DE FUNCTIES

⚠ LET OP:

- Zorg ervoor dat het gereedschap is uitgeschakeld en dat de accu is verwijderd voordat u de werking van het gereedschap aanpast of controleert.

De accu aanbrengen en verwijderen (zie afb. 1)

⚠ LET OP:

- Schakel het gereedschap altijd uit voordat u de accu aanbrengt of verwijdert.
- Houd het gereedschap en de accu stevig vast tijdens het aanbrengen of verwijderen van de accu. Als u het gereedschap en de accu niet stevig vasthoudt, kunnen deze uit uw handen glippen en beschadigd raken, of kan persoonlijk letsel worden veroorzaakt.

Om de accu te verwijderen verschuift u de knop aan de voorkant van de accu en schuift u tegelijkertijd de accu eraf. Om de accu aan te brengen, lijnt u de lip op de accu uit met de groef in de behuizing en duwt u de accu op zijn plaats. Steek de accu zo ver mogelijk erin tot u een klikgeluid hoort. Als u het rode deel aan de bovenkant van de knop kunt zien, is de accu niet goed aangebracht.

⚠ LET OP:

- Breng de accu altijd helemaal aan totdat het rode deel niet meer zichtbaar is. Als u dit niet doet, kan de accu per ongeluk uit het gereedschap vallen en u of anderen in uw omgeving verwonden.

- Breng de accu niet met kracht aan. Als de accu niet gemakkelijk erin kan worden geschoven, wordt deze niet goed aangebracht.

Accubeveiligingssysteem (lithiumionaccu met een ster-merkteken) (zie afb. 2)

Lithiumionaccu's met een ster-merkteken zijn uitgerust met een beveiligingssysteem. Dit systeem schakelt automatisch de voeding naar het gereedschap uit om de levensduur van de accu te verlengen.

Het gereedschap zal tijdens gebruik automatisch stoppen wanneer het gereedschap en/of de accu zich in een van de volgende omstandigheden bevinden:

- Overbelasting:
Het gereedschap wordt gebruikt op een manier die ertoe leidt dat een abnormaal hoge stroomsterkte uit de accu wordt getrokken.
Laat in die situatie de aan/uit-schakelaar van het gereedschap los en stop het gebruik dat ertoe leidde dat het gereedschap overbelast werd. Knijp daarna opnieuw de aan/uit-schakelaar in om het gereedschap weer in te schakelen.
Als het gereedschap niet wordt ingeschakeld, is de accu oververhit. In die situatie laat u de accu eerst afkoelen voordat u opnieuw de aan/uit-schakelaar inknijpt.
- Lage accuspanning:
De resterende acculading is te laag en het gereedschap wordt niet ingeschakeld. Verwijder in die situatie de accu en laad hem op.

De zaagmethode kiezen (zie afb. 3)

Dit gereedschap kan worden ingesteld op een rechte (open neergaande) of pendelende zaagmethode. Bij de pendelende zaagmethode wordt het zaagblad naar voren geduwd tijdens de zaagslag waardoor de zaagsnelheid sterk toeneemt.

Om de zaagmethode te veranderen, draait u de zaagmethode-keuzehendel naar de gewenste zaagmethodestand. Raadpleeg de tabel om de juiste zaagmethode te kiezen.

Stand	Zaagactie	Toepassingen
0	Zagen zonder pendelslag	Voor het zagen van zacht staal, roestvrij staal en kunststoffen. Voor schone zaagsneden in hout en multiplex.
I	Zagen met kleine pendelslag	Voor het zagen van zacht staal, aluminium en hardhout.
II	Zagen met middelgrote pendelslag	Voor het zagen van hout en multiplex. For fast cutting in aluminum and mild steel.
III	Zagen met grote pendelslag	Voor het snel zagen van hout en multiplex.

006376

Werking van de aan/uit-schakelaar

⚠ LET OP:

- Controleer altijd, voordat u de accu in het gereedschap steekt, of de aan/uit-schakelaar op de juiste manier schakelt en weer terugkeert naar de uit-stand nadat deze is losgelaten (zie afb. 4).

Om het gereedschap in te schakelen:

Druk op de vergrendelknop om het gereedschap op standby te zetten. Hierdoor wordt tevens de lamp ingeschakeld.

Knijp de aan/uit-schakelaar in om het gereedschap in te schakelen. Laat de aan/uit-schakelaar los om het gereedschap te stoppen.

Om het gereedschap continu te laten werken, knijpt u de aan/uit-schakelaar in en drukt u vervolgens op de vastzetknop.

Om vanuit de vergrendelde werking het gereedschap te stoppen, knijpt u de aan/uit-schakelaar helemaal in en laat u deze vervolgens weer los.

Druk tijdens standby op de vergrendelknop om de lamp uit te schakelen en het gereedschap te vergrendelen.

OPMERKING:

- De vergrendelknop werkt niet tijdens het zagen.
- Terwijl het gereedschap standby staat, blijft de lamp branden.
- Als het gereedschap gedurende 10 seconden op standby blijft staan zonder bediend te worden, wordt het gereedschap automatisch vergrendeld en gaat de lamp uit.

De lamp inschakelen

⚠ LET OP:

- Kijk niet rechtstreeks in de lamp of naar de bron van de lamp.

Druk op de vergrendelknop om de lamp in te schakelen.

Om de lamp binnen 10 seconden uit te schakelen, drukt u nogmaals op de vergrendelknop.

OPMERKING:

- Gebruik een doek om het vuil van de lens van de lamp te vegen. Wees voorzichtig de lens van de lamp niet te bekrassen om de lichtopbrengst niet te verlagen.
- Als het gereedschap oververhit raakt, begint de lamp te knipperen. Laat het gereedschap afkoelen voordat u het weer bedient.

Snelheidsregelaar (zie afb. 5)

De snelheid van het gereedschap kan worden ingesteld door de snelheidsregelaar te draaien. Op stand 6 is de snelheid het hoogst en op stand 1 het laagst.

Zie de tabel om de juiste snelheid te kiezen voor het werkstuk dat u wilt zagen. De juiste snelheid is echter ook afhankelijk van de soort en de dikte van het werkstuk.

Over het algemeen kunt u op een hogere snelheid een werkstuk sneller zagen, maar gaat de levensduur van het zaagblad achteruit.

Te zagen werkstuk	Cijfer op snelheidsregelaar
Hout	4 - 6
Zacht staal	3 - 6
Roestvrij staal	3 - 4
Aluminium	3 - 6
Kunststof	1 - 4

013925

LET OP:

- U kunt de snelheidsregelaar alleen tot aan het cijfer 6 draaien en terug naar 1. Forceer de regelaar niet voorbij de 6 of de 1 omdat de snelheidsregeling daardoor defect kan raken.

OPMERKING:

- Als de snelheidsregelaar op 3 of hoger staat, verlaagt het gereedschap automatisch het onbelaste toerental om de trillingen in onbelaste toestand te verlagen. Zodra het gereedschap weer belast wordt, wordt de snelheid van het gereedschap verhoogd tot de ingestelde snelheid. Vervolgens handhaaft het gereedschap deze snelheid tot het wordt uitgeschakeld. Bij lage temperatuur wanneer het vet minder vloeibaar is, is het mogelijk dat deze functie niet werkt ondanks dat de motor draait.

ONDERDELEN AANBRENGEN EN VERWIJDEREN

LET OP:

- Controleer altijd of het gereedschap is uitgeschakeld en de accu is verwijderd alvorens enige werkzaamheden aan het gereedschap te verrichten.

Het zaagblad aanbrengen en verwijderen

LET OP:

- Verwijder altijd eerst alle houtsnippers en vreemde stoffen die aan het zaagblad en/of de zaagbladhouder kleven. Als u dat niet doet is het mogelijk dat het zaagblad onvoldoende wordt vastgeklemd, wat kan leiden tot ernstig persoonlijk letsel.
- Raak het zaagblad en het werkstuk niet onmiddellijk na gebruik aan. Zij kunnen bijzonder heet zijn en brandwonden op uw huid veroorzaken.
- Zet het zaagblad stevig vast. Als u dat niet doet, kan dat leiden tot ernstig persoonlijk letsel.
- Wees voorzichtig bij het verwijderen van het zaagblad dat u uw vingers niet bezeert aan de punt van het zaagblad of de uiteinden van het werkstuk (**zie afb. 6**).

Controleer voordat u het zaagblad probeert aan te brengen of de zaagbladhouder in de ontgrendelde stand staat.

Om het zaagblad aan te brengen, steekt u het zaagblad (met de tanden naar voren gericht) in de zaagbladhouder tot het wordt vergrendeld. De zaagbladhouder beweegt uit zichzelf naar de vergrendelde stand en het zaagblad is vergrendeld. Trek zacht aan het zaagblad om er zeker van te zijn dat het zaagblad er niet uitvalt tijdens gebruik.

LET OP:

- Open de gereedschapsopener niet overmatig ver omdat anders het gereedschap kan worden beschadigd (**zie afb. 7**).

Om het zaagblad te verwijderen, duwt u de gereedschapsopener zo ver mogelijk naar voren. Hierdoor wordt het zaagblad ontgrendeld.

OPMERKING:

- Smeer af en toe de rol.

Opbergplaats van de inbussleutel (zie afb. 8)

Wanneer u de inbussleutel niet gebruikt, bergt u deze op de plaats aangegeven in de afbeelding op, om te voorkomen dat deze wordt verloren.

Dekplaat (zie afb. 9)

Gebruik de dekplaat wanneer u zaagt in decoratieve deklagen, kunststoffen, enz. Hij beschermt gevoelige en delicate oppervlakken tegen beschadiging. Breng hem aan op de onderkant van de zool.

Antisplinterhulpstuk (zie afb. 10)

Voor zagen zonder splinters kunt u het antisplinterhulpstuk gebruiken. Om het antisplinterhulpstuk te monteren, zet u de zool in de voorste stand en brengt u het hulpstuk eerst aan op de achterrand van de zool. Als u de dekplaat gebruikt, brengt u het antisplinterhulpstuk aan op de dekplaat.

LET OP:

- Het antisplinterhulpstuk kan niet worden gebruikt bij verstekzagen.

Stofafzuiging

De stofafzuigaansluitmond (los verkrijgbaar) wordt aanbevolen om tijdens het zagen schoon te werken (**zie afb. 11**).

Om de stofafzuigaansluitmond op het gereedschap aan te brengen, steekt u de haak van de stofafzuigaansluitmond in het gat in de zool (**zie afb. 12**).

Om de stofafzuigaansluitmond vast te zetten, draait u de klemschroef voorop de stofafzuigaansluitmond aan.

De stofafzuigaansluitmond kan op de linker- of rechterkant van de zool worden aangebracht.

(**zie afb. 13**).

Sluit vervolgens een Makita-stofzuiger aan op de stofafzuigaansluitmond.

BEDIENING

LET OP:

- Houd de zool altijd vlak met het oppervlak van het werkstuk. Als u dat niet doet bestaat de kans dat het zaagblad breekt, wat kan leiden tot ernstig persoonlijk letsel.

OPMERKING:

- Als het gereedschap continu wordt bediend totdat de accu leeg is, laat u het gereedschap gedurende 15 minuten liggen alvorens verder te werken met een volle accu (**zie afb. 14**).

Schakel het gereedschap in zonder dat het zaagblad iets raakt en wacht tot het zaagblad op volle snelheid is. Plaats daarna de zool vlak op het werkstuk en beweeg het gereedschap rustig naar voren langs een eerder aangebrachte zaaglijn.

Als u in een bocht zaagt, beweegt u het gereedschap zeer langzaam vooruit.

Verstekzagen (zie afb. 15)

LET OP:

- Zorg er altijd voor dat het gereedschap is uitgeschakeld en de accu is verwijderd, voordat u de zool kantelt.

Met een gekantelde zool kunt u verstekzagen onder elke hoek tussen 0° en 45° (links of rechts) (zie afb. 16).

Om de zool te kantelen draait u de bout op de onderkant van de zool los met behulp van de inbusleutel. Verplaats de zool zodat de bout zich in het midden van de verstekgleuf in de zool bevindt (zie afb. 17).

Kantel de zool tot de gewenste verstekhoek is bereikt. De V-naad van het tandwielhuis geeft de verstekhoek aan op een schaalverdeling. Draai daarna de bout stevig vast om de zool vast te zetten.

Zaagsneden tot aan de voorrand (zie afb. 18)

Draai met de inbusleutel de bout op de onderkant van de zool los en schuif de zool helemaal naar achteren. Draai daarna de bout vast om de zool vast te zetten.

Uitsnijdingen

U kunt uitsnijdingen maken volgens methode A of B.

A) Een begingat boren: (zie afb. 19)

- Voor uitsnijdingen midden in een werkstuk zonder in te zagen vanaf de rand, boort u vooraf een gat met een diameter van 12 mm of meer. Steek het zaagblad in dit gat voordat u begint te zagen.

B) Blinde zaagsnede: (zie afb. 20)

- U hoeft geen begingat te boren of vanaf de rand in te zagen als u voorzichtig als volgt te werk gaat.
1. Kantel het gereedschap op de voorrand van de zool met de punt van het zaagblad vlak boven het oppervlak van het werkstuk.
 2. Oefen druk uit op het gereedschap zodat de voorrand van de zool niet beweegt wanneer u het gereedschap inschakelt, en laat de achterkant van het gereedschap voorzichtig zakken.
 3. Naarmate het zaagblad het werkstuk doorboort, laat u de zool van het gereedschap langzaam zakken tot op het oppervlak van het werkstuk.
 4. Maak de zaagsnede op de normale manier.

Randen afwerken (zie afb. 21)

Om randen af te werken of afmetingen iets bij te zagen, beweegt u het zaagblad licht langs de reeds gezaagde randen van het werkstuk.

Zagen van metaal

Gebruik tijdens het zagen van metaal altijd een geschikte koelvloeistof (zaagolie). Als u dat niet doet, zal het zaagblad sterk slijten. De onderkant van het werkstuk kan met vet worden ingesmeerd in plaats van een koelvloeistof te gebruiken.

Breedtegeleider (los verkrijgbaar)

LET OP:

- Zorg er altijd voor dat het gereedschap is uitgeschakeld en de accu is verwijderd, voordat u accessoires aanbrengt of verwijderd.

1. Rechte zaagsneden (zie afb. 22)

Als u herhaaldelijk een breedte van minder dan 160 mm moet afzagen, kunt u door de breedtegeleider te gebruiken snel, schoon en recht zagen (zie afb. 23). Om hem aan te brengen steekt u de breedtegeleider in de rechthoekige opening in de zijkant van de zool met de geleider omlaag gericht. Schuif de breedtegeleider naar de gewenste zaagbreedte en draai daarna de bout vast om hem vast te zetten.

2. Cirkelvormige zaagsneden (zie afb. 24 en 25)

Als u cirkels of bogen met een straal van 170 mm of minder wilt zagen, brengt u de breedtegeleider als volgt aan.

1. Steek de breedtegeleider in de rechthoekige opening in de zijkant van de zool met de geleider omhoog gericht. Steek de cirkelgeleider in een van de twee gaten in de geleider. Draai de knop met schroefdraad op de pen om deze vast te zetten.
2. Schuif vervolgens de breedtegeleider naar de gewenste zaagstraal en draai de bout vast om hem vast te zetten. Beweeg tenslotte de zool helemaal naar voren.

OPMERKING:

- Gebruik altijd zaagbladen nr. B-17, B-18, B-26 of B-27 voor het zagen van cirkels of bogen.

Geleiderailadapter (los verkrijgbaar) (zie afb. 26)

Als u een parallelle en uniforme breedte of recht wilt zagen, kunt u door de geleiderail en geleiderailadapter te gebruiken snelle en schone zaagsneden produceren. Om de geleiderailadapter aan te brengen, steekt u de liniaal zo ver mogelijk in de rechthoekige opening in de zijkant van de zool. Draai de bout stevig vast met de inbusleutel (zie afb. 27).

Monteer de geleiderailadapter op de rail van de geleiderail. Steek de liniaal in de rechthoekige opening in de geleiderailadapter. Plaats de zool langs de zijkant van de geleiderail en draai de bout stevig vast (zie afb. 28).

LET OP:

- Gebruik altijd zaagbladen nr. B-8, B-13, B-16, B-17 of 58 wanneer u de geleiderail en de geleiderailadapter gebruikt.

ONDERHOUD

LET OP:

- Zorg er altijd voor dat de machine is uitgeschakeld en de accu is verwijderd, voordat u een inspectie of onderhoud uitvoert.
- Gebruik nooit benzine, wasbenzine, thinner, alcohol, enz. Dit kan leiden tot verkleuren, vervormen of barsten.

Om de VEILIGHEID en BETROUWBAARHEID van het gereedschap te handhaven, dienen alle reparaties, onderhoud en afstellingen te worden uitgevoerd door een

erkend Makita-servicecentrum, en altijd met gebruikmaking van originele Makita- vervangingsonderdelen.

Gebruikstoepassing: zagen van plaatstaal
Trillingsemisatie ($a_{h,M}$): 3,5 m/s²
Onzekerheid (K): 1,5 m/s²

ENG901-1

VERKRIJGBARE ACCESSOIRES

LET OP:

- Deze accessoires of hulpstukken worden aanbevolen voor gebruik met het Makita-gereedschap dat in deze gebruiksaanwijzing wordt beschreven. Het gebruik van andere accessoires of hulpstukken kan gevaar voor persoonlijk letsel opleveren. Gebruik de accessoires of hulpstukken uitsluitend voor de aangegeven gebruiksdoeleinden.

Mocht u meer informatie willen hebben over deze accessoires, dan kunt u contact opnemen met uw plaatselijke Makita-servicecentrum.

- Decoupeerzaagbladen
- Inbussleutel 4
- Breedtegeleider (liniaal), set
- Geleiderailadapter, set
- Geleiderail, set
- Antisplinterhulpstuk
- Dekplaat
- Stofafzuigaansluitmond, compleet
- Originele Makita-accu en -lader

OPMERKING:

- Sommige items op de lijst kunnen zijn inbegrepen in de doos van het gereedschap als standaard toebehoren. Zij kunnen van land tot land verschillen.

Geluid ENG905-1

De typische, A-gewogen geluidsniveaus zijn gemeten volgens EN60745:

Model DJV142

Geluidsdrukniveau (L_{pA}): 78 dB (A)
Onzekerheid (K): 3 dB (A)

Het geluidsniveau kan tijdens gebruik hoger worden dan 80 dB (A).

Model DJV182

Geluidsdrukniveau (L_{pA}): 77 dB (A)
Onzekerheid (K): 3 dB (A)

Het geluidsniveau kan tijdens gebruik hoger worden dan 80 dB (A).

Draag gehoorbescherming.

Trillingen ENG900-1

De totale trillingswaarde (triaxiale vectorsom) zoals vastgesteld volgens EN60745:

Model DJV142

Gebruikstoepassing: zagen van platen
Trillingsemisatie ($a_{h,B}$): 7,0 m/s²
Onzekerheid (K): 1,5 m/s²

Gebruikstoepassing: zagen van plaatstaal
Trillingsemisatie ($a_{h,M}$): 4,0 m/s²
Onzekerheid (K): 1,5 m/s²

Model DJV182

Gebruikstoepassing: zagen van platen
Trillingsemisatie ($a_{h,B}$): 7,0 m/s²
Onzekerheid (K): 1,5 m/s²

- De opgegeven trillingsemisiewaarde is gemeten volgens de standaardtestmethode en kan worden gebruikt om dit gereedschap te vergelijken met andere gereedschappen.
- De opgegeven trillingsemisiewaarde kan ook worden gebruikt voor een beoordeling vooraf van de blootstelling.

WAARSCHUWING:

- De trillingsemisatie tijdens het gebruik van het elektrisch gereedschap in de praktijk kan verschillen van de opgegeven trillingsemisiewaarde afhankelijk van de manier waarop het gereedschap wordt gebruikt.
- Zorg ervoor dat veiligheidsmaatregelen worden getroffen ter bescherming van de operator die zijn gebaseerd op een schatting van de blootstelling onder praktijkomstandigheden (rekening houdend met alle fasen van de bedrijfsfscyclus, zoals de tijdsduur gedurende welke het gereedschap is uitgeschakeld en stationair draait, naast de ingeschakelde tijdsduur).

Aleen voor Europese landen

ENH101-17

EU-verklaring van conformiteit

Makita verklaart dat de volgende machine(s):

Aanduiding van de machine:

Accudecoupeerzaag

Modelnr./Type: DJV142, DJV182

Voldoen aan de volgende Europese richtlijnen:

2006/42/EG

Deze zijn gefabriceerd in overeenstemming met de volgende normen of genormaliseerde documenten:
EN60745

Het technische bestand volgens 2006/42/EG is verkrijgbaar bij:

Makita, Jan-Baptist Vinkstraat 2, 3070, België

31. 12. 2013



Yasushi Fukaya
Directeur

Makita, Jan-Baptist Vinkstraat 2, 3070, België

ESPAÑOL (Instrucciones originales)

Explicación de los dibujos

- | | | |
|--|-------------------------------------|-----------------------------------|
| 1. Indicador rojo | 12. Hoja de sierra caladora | 24. Muesca en V |
| 2. Botón | 13. Base | 25. Alojamiento del engranaje |
| 3. Cartucho de la batería | 14. Llave hexagonal | 26. Orificio de inicio |
| 4. Marca de estrella | 15. Placa de cobertura | 27. Tope lateral |
| 5. Palanca de cambio de la acción de corte | 16. Dispositivo contra el astillado | 28. Tope de guía |
| 6. Interruptor de bloqueo | 17. Boquilla para el polvo | 29. Pomo con rosca |
| 7. Interruptor disparador | 18. Tornillo de apriete | 30. Pivote de la guía circular |
| 8. Botón de bloqueo | 19. Manguera para la aspiradora | 31. Barra de regla |
| 9. Dial de ajuste de velocidad | 20. Línea de corte | 32. Adaptador para carril de guía |
| 10. Posición fija | 21. Perno | 33. Tornillo |
| 11. Posición liberada | 22. Ranura de bisel | 34. Carril de guía |
| | 23. Graduaciones | |

ESPECIFICACIONES

Modelo		DJV142	DJV182
Longitud de carrera		26 mm	26 mm
Capacidad máxima de corte	Madera	135 mm	135 mm
	Acero dulce	10 mm	10 mm
	Aluminio	20 mm	20 mm
Carreras por minuto (min ⁻¹)		800 - 3.500	800 - 3.500
Longitud total		264 mm	266 mm
Peso neto		2,5 kg	2,6 kg
Tensión nominal		CC 14,4 V	CC 18 V

- Debido a nuestro programa continuo de investigación y desarrollo, las especificaciones aquí descritas están sujetas a cambios sin previo aviso.
- Las especificaciones y el cartucho de la batería pueden variar de un país a otro.
- Peso, con el cartucho de la batería, de acuerdo con el procedimiento EPTA 01/2003

Uso previsto

ENE019-1

La herramienta se ha diseñado para serrar madera, plástico y materiales metálicos. Gracias a la gran variedad de accesorios y tipos de hojas de sierra para diversos usos, esta herramienta puede utilizarse para muchas tareas y es muy apropiada para realizar cortes curvados y circulares.

Advertencias de seguridad generales para herramientas eléctricas

GEA010-1

⚠ ADVERTENCIA Lea todas las advertencias de seguridad y todas las instrucciones. La no observancia de las advertencias y las instrucciones puede provocar descargas eléctricas, incendios y/o lesiones graves.

Guarde todas las advertencias e instrucciones para futuras consultas.

ADVERTENCIAS DE SEGURIDAD PARA LA SIERRA CALADORA INALÁMBRICA

GEB045-2

1. Sujete la herramienta por las superficies de agarre aisladas al realizar una operación en que el

accesorio de corte pueda entrar en contacto con cables ocultos. Si entra en contacto con un cable con corriente, puede que las piezas metálicas expuestas de la herramienta eléctrica se carguen también de corriente y que el operario reciba una descarga.

2. **Utilice mordazas u otros medios de sujeción prácticos para sujetar y apoyar la pieza de trabajo en una plataforma estable.** Si sujeta la pieza de trabajo con la mano o contra el cuerpo, estará inestable y podrá ocasionar la pérdida de control.
3. **Utilice siempre gafas de seguridad. Las gafas normales o de sol NO son gafas de seguridad.**
4. **Evite cortar clavos. Compruebe si hay clavos en la pieza de trabajo y extraígalos antes de empezar a cortar.**
5. **No corte piezas de trabajo más grandes de lo especificado.**
6. **Verifique que haya espacio suficiente más allá de la pieza de trabajo antes de empezar a cortar, de forma que la hoja de sierra no choque contra el suelo, el banco de trabajo, etc.**
7. **Sujete con fuerza la herramienta.**
8. **Asegúrese de que la hoja de sierra no esté tocando la pieza de trabajo antes de activar el interruptor.**
9. **Mantenga las manos alejadas de las piezas móviles.**

10. No deje la herramienta encendida. Póngala en marcha solamente cuando la tenga en las manos.
 11. Apague la herramienta y espere siempre a que la hoja de sierra se haya parado completamente antes de retirarla de la pieza de trabajo.
 12. No toque la cuchilla ni la pieza de trabajo inmediatamente después de realizar un corte; pueden estar extremadamente calientes y producir quemaduras en la piel.
 13. No utilice la herramienta en vacío innecesariamente.
 14. Algunos materiales contienen sustancias químicas que pueden ser tóxicas. Procure evitar la inhalación de polvo y el contacto con la piel. Siga los datos de seguridad del proveedor del material.
 15. Utilice siempre la mascarilla antipolvo o la mascarilla de respiración adecuada para el material y la aplicación con que esté trabajando.
6. No almacene la herramienta ni el cartucho de la batería en lugares donde la temperatura supere los 50°C (122°F).
 7. No queme el cartucho de la batería aunque esté gravemente dañado o completamente gastado. El cartucho de la batería puede explotar si entra en contacto con fuego.
 8. Procure que la batería no sufra golpes ni caídas.
 9. No utilice una batería dañada.
 10. Siga las normativas locales relativas al desecho de la batería.

GUARDE ESTAS INSTRUCCIONES.

⚠ ADVERTENCIA:

NO deje que la comodidad o la familiaridad con el producto (a base de utilizarlo repetidamente) sustituya la estricta observancia de las normas de seguridad del producto en cuestión. El MAL USO o la no observancia de las normas de seguridad expuestas en este manual de instrucciones pueden ocasionar graves daños corporales.

INSTRUCCIONES DE SEGURIDAD IMPORTANTES

ENC007-8

PARA EL CARTUCHO DE LA BATERÍA

1. Antes de utilizar el cartucho de la batería, lea todas las instrucciones y referencias de precaución que se encuentran en (1) el cargador de baterías, (2) la batería y (3) el producto que utiliza la batería.
2. No desmonte el cartucho de la batería.
3. Si el tiempo de funcionamiento es excesivamente corto, deje de utilizar la herramienta de inmediato. De lo contrario, existe el riesgo de sobrecalentamiento, quemaduras e incluso explosión.
4. Si se produce contacto ocular con electrolito, enjuáguese los ojos con agua limpia y acuda de urgencia al médico. Corre el riesgo de perder la visión.
5. No cortocircuite el cartucho de la batería:
 - (1) No toque los terminales con material conductor.
 - (2) Evite guardar el cartucho de la batería en un recipiente con otros objetos metálicos, como clavos, monedas, etc.
 - (3) No exponga el cartucho de la batería al agua o a la lluvia.

Un cortocircuito puede provocar un elevado flujo de corriente, sobrecalentamiento, quemaduras o incluso una avería.

GUARDE ESTAS INSTRUCCIONES.

Consejos para conseguir una mayor duración de la batería

1. Cargue la batería antes de que se descargue por completo. Cuando observe que la herramienta tiene menos potencia, deje de utilizarla y cargue el cartucho de la batería.
2. No recargue nunca un cartucho de batería completamente cargado. La sobrecarga acorta la vida útil de la batería.
3. Cargue el cartucho de la batería a una temperatura ambiente que oscile entre 10°C y 40°C (50°F - 104°F). Antes de cargar un cartucho de batería caliente, deje que se enfríe.
4. Cargue la batería una vez cada seis meses si no la utiliza durante un período de tiempo prolongado.

DESCRIPCIÓN DEL FUNCIONAMIENTO

⚠ PRECAUCIÓN:

- Antes de ajustar o de comprobar la herramienta, asegúrese siempre de que está apagada y de que la batería ha sido extraída.

Instalación o extracción del cartucho de la batería (Fig. 1)

⚠ PRECAUCIÓN:

- Apague siempre la herramienta antes de instalar o extraer el cartucho de la batería.
- Sujete la herramienta y el cartucho de la batería firmemente cuando instale o extraiga el cartucho de la batería. Si no sujeta la herramienta y el cartucho de la batería firmemente, pueden resbalar de sus manos y pueden producirse daños en la herramienta o el cartucho de la batería, así como lesiones personales.

Para quitar el cartucho de la batería, mantenga pulsado el botón de la parte frontal del cartucho y retírelo.

Para instalar el cartucho de la batería, alinee la lengüeta situada en el cartucho de la batería con la ranura del alojamiento e insértela. Insértelo completamente hasta que quede firmemente encajado con un clic. Si puede ver el indicador rojo de la zona superior del botón, significa que el cartucho no está encajado completamente.

PRECAUCIÓN:

- Instale siempre completamente el cartucho de la batería de forma que el indicador rojo quede oculto. De lo contrario, el cartucho puede desprenderse accidentalmente de la herramienta y causar lesiones al operario o a alguna persona que se encuentre cerca.
- No presione excesivamente el cartucho de la batería para instalarlo. Si el cartucho no entra con suavidad, significa que no lo está instalando correctamente.

Sistema de protección de la batería (batería de iones de litio con una marca de estrella) (Fig. 2)

Las baterías de iones de litio con una marca de estrella están equipadas con un sistema de protección. Este sistema corta automáticamente la alimentación a la herramienta para ampliar la duración de la batería. El funcionamiento de la herramienta se detendrá automáticamente si la herramienta y/o la batería están sometidas a las siguientes condiciones:

- Sobrecarga:
La herramienta se utiliza de una forma que hace que consuma una cantidad anómalamente alta de corriente.
En ese caso, suelte el interruptor disparador de la herramienta y detenga la aplicación que provocaba que la herramienta se sobrecargara. A continuación, vuelva a pulsar el interruptor disparador para volver a ponerla en marcha.
Si la herramienta no consigue ponerse en marcha, la batería se ha sobrecalentado. En esta situación, deje que la batería se enfríe antes de volver a pulsar el interruptor disparador.
- Tensión de la batería baja:
La capacidad restante de la batería es demasiado baja y la herramienta no funcionará. En ese caso, extraiga y recargue la batería.

Selección de la acción de corte (Fig. 3)

Esta herramienta se puede utilizar con una acción de corte orbital o de línea recta (arriba y abajo). La acción de corte orbital empuja la hoja de sierra hacia delante en el recorrido de corte y aumenta en gran medida la velocidad de corte.

Para cambiar la acción de corte, solamente tiene que desplazar la palanca de cambio de acción de corte a la posición de acción de corte que desee. Consulte la tabla para seleccionar la acción de corte adecuada.

Posición	Acción de corte	Aplicaciones
0	Acción de corte de línea recta	Para cortar acero dulce, acero inoxidable y plásticos. Para cortes limpios en madera y contrachapado.
I	Acción de corte orbital pequeño	Para cortar acero dulce, aluminio y madera dura.
II	Acción de corte orbital medio	Para cortar madera y contrachapado. Para el corte rápido de aluminio y acero dulce.
III	Acción de corte orbital grande	Para el corte rápido de madera y contrachapado.

006376

Acción del interruptor

PRECAUCIÓN:

- Antes de insertar el cartucho de la batería en la herramienta, asegúrese siempre de que el interruptor disparador funciona como es debido y que vuelve a la posición "OFF" (apagado) al soltarlo. (Fig. 4)

Para poner en marcha la herramienta:

Pulse el interruptor de bloqueo para poner la herramienta en modo de espera. También se encenderá la lámpara. Apriete el interruptor disparador para poner en marcha la herramienta. Suelte el interruptor disparador para detener la herramienta.

Para un uso continuo, tire del interruptor disparador y después pulse el botón de bloqueo.

Para detener la herramienta desde la posición de bloqueo, tire totalmente del interruptor disparador y suéltelo.

En el modo de espera, pulse el interruptor de bloqueo para apagar la lámpara y poner la herramienta en modo de bloqueo.

NOTA:

- El interruptor de bloqueo no actúa durante la operación de corte.
- Cuando la herramienta esté en modo de espera, la lámpara seguirá encendida.
- Si la herramienta se deja 10 segundos sin realizar operaciones en el modo de espera, entra automáticamente en el modo de bloqueo y la lámpara se apaga.

Encendido de las lámparas

PRECAUCIÓN:

- No mire hacia la lámpara ni mire directamente hacia la fuente de la lámpara.

Para encender la lámpara, pulse el interruptor de bloqueo.

Para apagar la lámpara en 10 segundos, vuelva a pulsar el interruptor de bloqueo.

NOTA:

- Utilice un paño seco para limpiar la suciedad del cristal de la lámpara. Procure no rayar el cristal de la lámpara, puesto que puede disminuir el grado de iluminación.
- Si la herramienta se sobrecalienta, la luz parpadeará. Deje que la herramienta se enfríe antes de reanudar las operaciones.

Dial de ajuste de velocidad (Fig. 5)

La velocidad de la herramienta se puede ajustar de forma infinita girando el dial de ajuste de velocidad. Puede obtener la velocidad más alta en la posición 6 y la más baja en 1.

Consulte la tabla para seleccionar la velocidad adecuada para la pieza de trabajo que va a cortar. No obstante, la velocidad adecuada puede ser distinta en función del tipo o grosor de la pieza de trabajo. En general, cuanto mayor sea la velocidad, más rápido se cortarán las piezas de trabajo, pero se reducirá la vida útil de la hoja de sierra.

Pieza de trabajo que se cortará	Número del dial de ajuste
Madera	4 - 6
Acero dulce	3 - 6
Acero inoxidable	3 - 4
Aluminio	3 - 6
Plásticos	1 - 4

013925

PRECAUCIÓN:

- El dial de ajuste de velocidad puede girarse hasta 6 y de vuelta hasta 1 solamente. No lo fuerce más allá de 6 ó 1, o la función de ajuste de velocidad podrá dejar de funcionar.

NOTA:

- Cuando el dial de ajuste de velocidad esté en 3 o un valor superior, la herramienta reducirá automáticamente la velocidad en vacío para reducir la vibración cuando en vacío. Cuando la herramienta se someta a una carga, la herramienta alcanzará la velocidad preestablecida. A continuación, la herramienta mantiene la velocidad hasta que se apaga. Cuando la temperatura sea baja y la grasa sea menos fluida, es posible que la herramienta no tenga esta función aunque gire el motor.

MONTAJE

PRECAUCIÓN:

- Asegúrese siempre de apagar la herramienta y extraer el cartucho de la batería antes de intentar realizar cualquier tipo de operación en la herramienta.

Instalación o desmontaje de la hoja de sierra

PRECAUCIÓN:

- Elimine siempre todas las virutas o materias extrañas que se hayan quedado adheridas a la hoja de sierra y/ o al portahojas. De lo contrario, quizás no se pueda apretar bien la hoja de sierra y se puedan producir heridas personales graves.
- No toque la cuchilla ni la pieza de trabajo inmediatamente después de realizar un corte; pueden estar extremadamente calientes y producir quemaduras en la piel.
- Apriete bien la hoja de sierra. De lo contrario, pueden producirse heridas graves.
- Al extraer la hoja de sierra, procure no herirse los dedos con el extremo de la hoja de sierra o con las rebabas de la pieza de trabajo. (Fig. 6)

Antes de instalar la hoja de sierra, asegúrese de que el portahojas esté en la posición liberada.

Para instalar la hoja de sierra, inserte la hoja (con los dientes mirando hacia delante) en el portahojas hasta que quede encajada. El portahojas se mueve a la posición fija por sí mismo y la hoja se bloquea. Tire ligeramente de la hoja para asegurarse de que no caiga durante las operaciones.

PRECAUCIÓN:

- No abra en exceso el mecanismo de apertura de la herramienta, ya que puede dañarla. (Fig. 7)

Para extraer la hoja, empuje el mecanismo de apertura de la herramienta hacia delante lo máximo posible. Esto permite liberar la hoja.

NOTA:

- Lubrique el rodillo de vez en cuando.

Almacenamiento de la llave hexagonal (Fig. 8)

Cuando no la utilice, guarde la llave hexagonal como se muestra en la figura para evitar que se pierda.

Placa de cobertura (Fig. 9)

Utilice la placa de cobertura cuando corte chapas decorativas, plásticos, etc. Protege las superficies sensibles o delicadas de daños. Encájela en la parte posterior de la base de la herramienta.

Dispositivo contra el astillado (Fig. 10)

Para lograr cortes sin astillas, se puede utilizar el dispositivo contra el astillado. Para instalar el dispositivo contra el astillado, mueva la base de la herramienta completamente hacia delante y encájela desde la parte posterior de la base de la herramienta. Cuando utilice la placa de cobertura, instale el dispositivo contra el astillado en la placa de cobertura.

PRECAUCIÓN:

- El dispositivo contra el astillado no se puede utilizar cuando se realizan cortes en bisel.

Extracción de polvo

Se recomienda usar la boquilla para el polvo (acesorio opcional) para realizar operaciones de corte limpias.

(Fig. 11)

Para acoplar la boquilla para el polvo en la herramienta, inserte el gancho de la boquilla para el polvo en el orificio de la base. (Fig. 12)

Para fijar la boquilla para el polvo, atornille el tornillo de apriete de la parte frontal de la boquilla para el polvo. La boquilla para el polvo puede instalarse tanto en el lado izquierdo como en el lado derecho de la base. (Fig. 13) A continuación, conecte una aspiradora Makita a la boquilla de polvo.

FUNCIONAMIENTO

PRECAUCIÓN:

- Sujete siempre la base de la herramienta plana contra la pieza de trabajo. En caso contrario, la hoja de sierra podría romperse y producirse heridas graves.

NOTA:

- Si la herramienta se utiliza continuamente hasta que el cartucho de la batería se descarga, deje reposar la herramienta durante 15 minutos antes de continuar con una batería cargada. (Fig. 14)

Encienda la herramienta sin que la hoja de sierra entre en contacto con ninguna pieza y espere hasta que la hoja de sierra alcance la velocidad máxima. Luego, apoye la base de la herramienta plana sobre la pieza de trabajo hacia delante siguiendo la línea de corte marcada previamente. Cuando corte curvas, haga que la herramienta avance lentamente.

Corte en bisel (Fig. 15)

⚠ PRECAUCIÓN:

- Asegúrese siempre de que la herramienta esté apagada y de que se haya extraído el cartucho de la batería antes de inclinar la base.

Inclinando la base, podrá hacer cortes en bisel a cualquier ángulo comprendido entre 0° y 45° (izquierdo o derecho). (Fig. 16)

Para inclinar la base, afloje el perno de la parte posterior de la base con la llave hexagonal. Mueva la base de forma que el perno esté colocado en el centro de la ranura de bisel de la base. (Fig. 17)

Incline la base hasta obtener el ángulo de bisel deseado. La muesca en V del alojamiento del engranaje indica el ángulo de bisel en graduaciones. A continuación, apriete el perno firmemente para fijar la base.

Cortes con tope en la parte delantera (Fig. 18)

Afloje el perno de la parte posterior de la base con la llave hexagonal y deslice la base lo máximo hacia atrás. A continuación, apriete el perno para fijar la base.

Cortes de abertura

Los cortes de abertura se pueden realizar con cualquiera de los dos métodos A o B descritos a continuación.

A) Perforación de un orificio de inicio: (Fig. 19)

- Para realizar un corte abertura interno sin un corte de inicio desde el borde, perforo un orificio de inicio de 12 mm o más de diámetro. Para iniciar el corte, inserte la hoja de sierra en este agujero.

B) Corte calado: (Fig. 20)

- Si sigue las instrucciones siguientes no necesitará perforar un orificio de inicio ni un corte desde el borde.
1. Incline la herramienta hacia delante sobre el borde delantero de la base con la punta de la hoja situada justo por encima de la superficie de la pieza de trabajo.
 2. Aplique presión sobre la herramienta para que el borde delantero de la base no se mueva cuando ponga en marcha la herramienta y, con mucho cuidado, baje gradualmente la parte posterior de la herramienta.
 3. A medida que la hoja vaya penetrando en la pieza de trabajo, baje gradualmente la base de la herramienta hasta la superficie de la pieza de trabajo.
 4. Complete el corte de manera normal.

Acabado de bordes (Fig. 21)

Para suavizar bordes o hacer ajustes dimensionales, pase la hoja de sierra ligeramente a lo largo de los bordes cortados.

Corte de metales

Para cortar metal, utilice siempre un líquido refrigerante adecuado (lubricante para corte). De lo contrario, la hoja de sierra puede desgastarse más de lo normal. En lugar de utilizar un refrigerante, puede engrasar la parte inferior de la pieza de trabajo.

Conjunto de tope lateral (accesorio opcional)

⚠ PRECAUCIÓN:

- Asegúrese siempre de que la herramienta esté apagada y de que se haya extraído el cartucho de la batería antes de instalar o extraer los accesorios.

1. Cortes rectos (Fig. 22)

Si realizar de forma repetida cortes de 160 mm de grosor o menos, utilice el tope lateral para lograr cortes rectos de forma rápida y sencilla. (Fig. 23)

Para su instalación, inserte el tope lateral en el orificio rectangular del lado de la base de la herramienta con el tope de guía mirando hacia abajo. Deslice el tope lateral hasta la posición de ancho de corte que desee y, a continuación, apriete el perno para fijarlo.

2. Cortes circulares (Fig. 24 y 25)

Quando corte círculos o arcos de 170 mm o menos de radio, instale el tope lateral de la siguiente manera.

1. Inserte el tope lateral en el orificio rectangular del lado de la base con el tope de guía mirando hacia arriba. Inserte el pivote de la guía circular a través de cualquiera de los dos orificios en el tope de guía. Atornille el pomo con rosca en el eje para fijar el pivote.
2. Ahora deslice el tope lateral hasta el radio de corte que desee y apriete el perno para fijarlo en su posición. A continuación, mueva la base completamente hacia delante.

NOTA:

- Utilice siempre hojas de sierra N° B-17, B-18, B-26 o B-27 cuando corte círculos o arcos.

Conjunto adaptador para carril de guía (accesorio opcional) (Fig. 26)

Quando corte un ancho paralelo y uniforme o corte recto, el uso del carril de guía y el adaptador para carril de guía garantizará que se realicen cortes rápidos y limpios.

Para instalar el adaptador para carril de guía, inserte la barra de regla en el orificio cuadrado de la base lo máximo posible. Fije el perno con la llave hexagonal firmemente. (Fig. 27)

Instale el adaptador para carril de guía en carril del carril de guía. Inserte la barra de regla en el orificio cuadrado del adaptador para el carril de guía. Coloque la base en el lateral del carril de guía y fije el perno firmemente. (Fig. 28)

⚠ PRECAUCIÓN:

- Utilice siempre las hojas N° B-8, B-13, B-16, B-17 o 58 cuando utilice el carril de guía y el adaptador para el carril de guía.

MANTENIMIENTO

⚠ PRECAUCIÓN:

- Asegúrese de apagar siempre la herramienta y extraer el cartucho de la batería antes de intentar realizar cualquier trabajo de inspección o mantenimiento en ella.
- Nunca utilice gasolina, benceno, disolvente, alcohol o un producto similar. Se puede provocar una decoloración, una deformación o grietas.

Para mantener la SEGURIDAD y la FIABILIDAD del producto, las reparaciones y cualquier otra tarea de mantenimiento o ajuste deberán ser realizadas en centros de servicio autorizados por Makita, utilizando siempre repuestos Makita.

ACCESORIOS OPCIONALES

⚠ PRECAUCIÓN:

- Se recomienda el uso de estos accesorios o complementos con la herramienta Makita especificada en este manual. El uso de otros accesorios o complementos puede conllevar el riesgo de ocasionar daños corporales. Utilice los accesorios o complementos solamente para su fin establecido.

Si necesita cualquier ayuda para obtener más información relativa a estos accesorios, pregunte a su centro de servicio Makita local.

- Hojas de sierra caladora
- Llave hexagonal 4
- Conjunto de tope lateral (regla de guía)
- Conjunto adaptador para carril de guía
- Conjunto de carril de guía
- Dispositivo contra el astillado
- Placa de cobertura
- Conjunto de la boquilla para el polvo
- Batería y cargador originales de Makita

NOTA:

- Algunos elementos de la lista se pueden incluir en el paquete de la herramienta como accesorios estándar. Pueden ser diferentes de un país a otro.

Ruido

ENG905-1

Niveles típicos de ruido ponderado A determinados conforme a EN60745:

Modelo DJV142

Nivel de presión de sonido (L_{pA}): 78 dB (A)

Incertidumbre (K): 3 dB (A)

El nivel de ruido durante el trabajo puede superar los 80 dB (A).

Modelo DJV182

Nivel de presión de sonido (L_{pA}): 77 dB (A)

Incertidumbre (K): 3 dB (A)

El nivel de ruido durante el trabajo puede superar los 80 dB (A).

Utilice protección para los oídos.

Vibración

ENG900-1

Valor total de la vibración (suma de vectores triaxiales) determinado según el estándar EN60745:

Modelo DJV142

Modo de trabajo: corte de tablas

Emisión de vibraciones ($a_{h,B}$): 7,0 m/s²

Incertidumbre (K): 1,5 m/s²

Modo de trabajo: corte de metal laminado

Emisión de vibraciones ($a_{h,M}$): 4,0 m/s²

Incertidumbre (K): 1,5 m/s²

Modelo DJV182

Modo de trabajo: corte de tablas

Emisión de vibraciones ($a_{h,B}$): 7,0 m/s²

Incertidumbre (K): 1,5 m/s²

Modo de trabajo: corte de metal laminado

Emisión de vibraciones ($a_{h,M}$): 3,5 m/s²

Incertidumbre (K): 1,5 m/s²

ENG901-1

- El valor de emisión de vibraciones se ha medido de acuerdo con el método de prueba estándar y se puede utilizar para comparar herramientas.
- El valor de emisión de vibraciones declarado también se puede usar en una evaluación preliminar de la exposición.

⚠ ADVERTENCIA:

- La emisión de vibraciones durante el uso de la herramienta eléctrica puede diferir del valor de emisiones declarado, dependiendo de las formas en que se utiliza la herramienta.
- Asegúrese de identificar las mediciones correctas para proteger al operario, que se basan en una estimación de la exposición en condiciones de uso reales (teniendo en cuenta todas las partes del ciclo de operaciones, como los momentos en los que la herramienta está apagada y cuando funciona al ralentí además del tiempo en que está activado el interruptor).

Solo para países europeos

ENH101-17

Declaración de conformidad de la CE

Makita declara que las siguientes máquinas:

Designación de la máquina:

Sierra Caladora Inalámbrica

N° de modelo/Tipo: DJV142, DJV182

Cumplen con las siguientes Directivas europeas: 2006/42/CE

Se han fabricado de acuerdo con los siguientes estándares o documentos estandarizados:

EN60745

El archivo técnico de acuerdo con 2006/42/CE está disponible en:

Makita, Jan-Baptist Vinkstraat 2, 3070, Bélgica

31. 12. 2013



Yasushi Fukaya
Director

Makita, Jan-Baptist Vinkstraat 2, 3070, Bélgica

PORTUGUÊS (Instruções de origem)

Descrição geral

- | | | |
|--|--------------------------------------|---------------------------------|
| 1. Indicador vermelho | 11. Posição de libertada | 23. Graduações |
| 2. Botão | 12. Lâmina de serra tico-tico | 24. Entalhe em V |
| 3. Bateria | 13. Base | 25. Caixa de engrenagens |
| 4. Marca de estrela | 14. Chave sextavada | 26. Orifício inicial |
| 5. Alavanca de comutação da acção de corte | 15. Placa de cobertura | 27. Vedação para escarificação |
| 6. Interruptor de bloqueio | 16. Dispositivo de anti-fragmentação | 28. Guia de vedação |
| 7. Gatilho | 17. Bico do pó | 29. Manípulo roscado |
| 8. Botão de bloqueio | 18. Parafuso de fixação | 30. Pino-guia circular |
| 9. Manípulo de regulação da velocidade | 19. Tubo flexível para aspirador | 31. Barra paralela |
| 10. Posição fixa | 20. Linha de corte | 32. Adaptador do carril de guia |
| | 21. Parafuso | 33. Parafuso |
| | 22. Ranhura biselada | 34. Carril de guia |

ESPECIFICAÇÕES

Modelo	DJV142	DJV182
Comprimento do corte	26 mm	26 mm
Capacidades máximas de corte	Madeira	135 mm
	Aço macio	10 mm
	Alumínio	20 mm
Cortes por minuto (min ⁻¹)	800 - 3.500	800 - 3.500
Comprimento total	264 mm	266 mm
Peso líquido	2,5 kg	2,6 kg
Tensão nominal	C.C. 14,4 V	C.C. 18 V

- Devido à pesquisa e desenvolvimento constantes, estas especificações estão sujeitas a alteração sem aviso prévio.
- As especificações e o cartucho da bateria podem ser diferentes consoante o país.
- Peso, com a bateria, de acordo com o procedimento EPTA de 01/2003

Utilização prevista

ENE019-1

A ferramenta destina-se a serrar madeira, plástico e materiais metálicos. Como resultado do abrangente programa de acessórios e lâminas, a ferramenta pode ser utilizada para muitas finalidades e é adequada para cortes curvos ou circulares.

Avisos gerais de segurança para ferramentas eléctricas

GEA010-1

⚠ AVISO Leia todos os avisos de segurança e todas as instruções. O não cumprimento dos avisos e instruções pode resultar na ocorrência de choques eléctricos, incêndios e/ou ferimentos graves.

Guarde todos os avisos e instruções para referência futura.

AVISOS DE SEGURANÇA PARA A SERRA TICO-TICO A BATERIA

GEB045-2

1. Quando executar operações em que a máquina de corte possa entrar em contacto com fios eléctricos ocultos, tenha o cuidado de tocar apenas nas superfícies isoladas da máquina. O acessório de corte em contacto com um fio eléctrico ligado à corrente pode electrificar as peças de metal da ferramenta e provocar um choque.
2. Utilize grampos ou outra forma prática de fixar e suportar a peça de trabalho a uma plataforma estável. Segurar a peça com a mão ou contra o corpo deixa-a instável e poderá provocar a perda de controlo.
3. Use sempre óculos de protecção. Os óculos normais ou óculos de sol NÃO são óculos de segurança.
4. Evite cortar pregos. Inspeccione a peça de trabalho para a existência de pregos e remova-os antes de efectuar a operação.
5. Não corte uma peça de trabalho com um tamanho excessivo.
6. Verifique se existe uma distância adequada para lá da peça de trabalho antes de cortar, de forma a que a lâmina não embata no chão, bancada de trabalho, etc.
7. Segure bem na ferramenta.
8. Certifique-se de que a lâmina não está em contacto com a peça de trabalho antes de ligar o interruptor.
9. Afaste as mãos das peças em movimento.
10. Não abandone a ferramenta a funcionar. Ponha-a a funcionar apenas quando estiver a segurá-la.
11. Desligue sempre e aguarde que a lâmina pare completamente antes de remover a lâmina da peça de trabalho.
12. Não toque numa lâmina ou no material em que tiver estado a trabalhar logo após a operação porque podem estar demasiado quentes.

13. Não utilize a ferramenta sem carga, sem ser necessário.
14. Alguns materiais contêm químicos que podem ser tóxicos. Tenha cuidado para evitar a inalação e o contacto da pele com o pó produzido. Obedeça às instruções de segurança do fornecedor do material.
15. Use sempre a máscara contra o pó/respirador correctos para o material e aplicação em que está a trabalhar.

GUARDE ESTAS INSTRUÇÕES.

⚠ AVISO:

NÃO deixe que o conforto ou familiaridade com o produto (obtida de uma utilização regular) substituam um cumprimento severo das regras de segurança do produto em causa. Uma **UTILIZAÇÃO INCORRECTA** ou não cumprimento das regras de segurança indicadas neste manual de instruções podem provocar ferimentos pessoais sérios.

INSTRUÇÕES DE SEGURANÇA IMPORTANTES

ENC007-8

RELATIVAS À BATERIA

1. Antes de utilizar a bateria, leia as instruções e chamadas de atenção de: (1) o carregador da bateria, (2) a bateria e (3) o produto que utiliza a bateria.
2. Não desmonte a bateria.
3. Se o tempo de utilização com a bateria se tornar demasiado curto, deve parar imediatamente. Se continuar, pode causar sobreaquecimento, incêndio e mesmo explosão.
4. Se o electrólito entrar em contacto com os olhos, enxágue-os com água limpa e consulte imediatamente um médico. Os riscos incluem perda de visão.
5. Não provoque um curto-circuito na bateria:
 - (1) Não deixe que quaisquer materiais condutores entrem em contacto com os terminais da bateria.
 - (2) Evite guardar a bateria juntamente com outros objectos de metal como pregos, moedas, etc.
 - (3) Não exponha a bateria a água ou chuva. Um curto-circuito na bateria pode criar uma grande carga eléctrica, sobreaquecimento, fogo e uma quebra da corrente.
6. Não guarde a ferramenta e a bateria em locais onde a temperatura possa atingir ou exceder 50°C (122°F).
7. Não incinere a bateria, nem mesmo se esta estiver irremediavelmente danificada ou completamente gasta. Pode explodir e causar um incêndio.
8. Não a deixe cair e evite o choque com outros objectos.
9. Não utilize uma bateria danificada.
10. Siga os regulamentos locais relacionados com a eliminação da bateria.

GUARDE ESTAS INSTRUÇÕES.

Sugestões para o máximo de tempo de vida da bateria

1. Não espere que a bateria se gaste completamente para voltar a carregá-la. Pare a ferramenta e carregue a bateria sempre que detectar um baixo nível de energia.
2. Nunca volte a carregar uma bateria já completamente carregada. O carregamento excessivo diminui o tempo de vida das baterias.
3. Carregue a bateria em locais onde a temperatura se situe entre 10°C e 40°C (50°F - 104°F). Se a bateria estiver quente, deixe-a arrefecer antes de iniciar o carregamento.
4. Carregue a bateria uma vez a cada seis meses se não a utilizar durante um longo período.

DESCRIÇÃO DO FUNCIONAMENTO

⚠ PRECAUÇÃO:

- Certifique-se sempre de que a ferramenta está desligada e que a bateria foi removida antes de proceder a ajustes ou testar acessórios.

Inserir ou retirar a bateria (Fig. 1)

⚠ PRECAUÇÃO:

- Desligue sempre a ferramenta antes de instalar ou retirar a bateria.
- **Segure bem a ferramenta e a bateria quando instalar ou retirar a bateria.** Se não segurar bem a ferramenta e a bateria, pode fazer com que caiam das mãos e provoquem danos na ferramenta e na bateria e ferimentos pessoais.

Para retirar a bateria, mantenha premido o botão na frente da bateria e puxe.

Para colocar a bateria, alinhe a respectiva saliência com a calha do compartimento e encaixe-a suavemente. Insira-a completamente até fixar em posição com um clique. Se ainda estiver visível o indicador vermelho na parte superior do botão, não estará bem encaixado.

⚠ PRECAUÇÃO:

- Instale sempre a bateria completamente, até deixar de ver o indicador vermelho. Caso contrário, pode cair da ferramenta e causar ferimentos em si, ou em alguém que esteja perto de si.
- Não instale a bateria forçosamente. Se não encaixar facilmente é porque não está correctamente posicionada.

Sistema de protecção da bateria (Bateria de íões de lítio com uma marca de estrela) (Fig. 2)

As baterias de íões de lítio com uma marca de estrela estão equipadas com um sistema de protecção. Este sistema corta automaticamente a alimentação para prolongar a vida útil da bateria.

A ferramenta pára automaticamente durante o funcionamento quando a ferramenta e/ou bateria são colocadas numa das condições seguintes:

- **Sobrecarregada:**
A ferramenta é utilizada de tal forma que atrai uma corrente invulgarmente alta.
Nesta situação, solte o gatilho da ferramenta e pare a aplicação que causou a sobrecarga. De seguida, prima novamente o gatilho para reiniciar.
Se a ferramenta não ligar, a bateria está sobreaquecida. Nesta situação, permita o arrefecimento da bateria antes de voltar a premir o gatilho.
- **Tensão baixa da bateria:**
A carga restante da bateria é demasiado baixa e a ferramenta não funciona. Nesta situação, retire e recarregue a bateria.

Seleccionar a acção de corte (Fig. 3)

Esta ferramenta pode ser utilizada com uma acção de corte circular ou em linha recta (para cima e para baixo). A acção de corte circular impulsiona a lâmina para a frente no curso de corte e aumenta significativamente a velocidade de corte.

Para alterar a acção de corte, rode a alavanca de comutação da acção de corte para a posição de acção de corte pretendida. Consulte a tabela para seleccionar a acção de corte adequada.

Posição	Acção de corte	Aplicações
0	Acção de corte em linha recta	Para cortar aço macio, aço inoxidável e plástico. Para cortes limpos em madeira e contraplacado.
I	Acção de corte circular pequena	Para cortar aço macio, alumínio e madeira dura.
II	Acção de corte circular média	Para cortar madeira e contraplacado. Para corte rápido em alumínio e aço macio.
III	Acção de corte circular grande	Para corte rápido em madeira e contraplacado.

006376

Acção do interruptor

PRECAUÇÃO:

- Antes de inserir a bateria na ferramenta, verifique se o gatilho está a funcionar correctamente e se regressa à posição "OFF" quando o solta. (Fig. 4)

Para ligar a ferramenta:

Prima o interruptor de bloqueio para colocar a ferramenta no modo de espera. Também liga a luz.

Prima o gatilho para ligar a ferramenta. Para parar a ferramenta, solte o gatilho.

Para um funcionamento contínuo, prima o gatilho e pressione o botão de bloqueio.

Para parar a ferramenta a partir da posição de bloqueada, prima totalmente o gatilho e solte-o.

No modo de espera, prima o interruptor de bloqueio para desligar a luz e coloque a ferramenta no modo de desbloqueio.

NOTA:

- O interruptor de bloqueio não funciona durante a operação de corte.
- Quando a ferramenta está no modo de espera, a luz continua a piscar.
- Se a ferramenta estiver 10 segundos sem quaisquer operações no modo de espera, a ferramenta passa automaticamente para o modo de desbloqueio e a luz apaga-se.

Acender as lâmpadas

PRECAUÇÃO:

- Não olhe directamente para a luz ou para a fonte da mesma.

Para ligar a luz, prima o interruptor de bloqueio.

Para desligar a luz no espaço de 10 segundos, pressione novamente o interruptor de bloqueio.

NOTA:

- Para limpar a lâmpada, utilize um tecido seco. Tenha cuidado para não riscar a lente da lâmpada, pois poderia diminuir a intensidade da iluminação.
- Quando a ferramenta está sobreaquecida, a lâmpada pisca. Arrefeça por completo a ferramenta antes de voltar a utilizá-la.

Manípulo de regulação da velocidade (Fig. 5)

A velocidade da ferramenta pode ser ajustada rodando o manípulo de regulação da velocidade. Pode obter a velocidade mais alta em 6 e a velocidade mais baixa em 1. Consulte a tabela para seleccionar a velocidade adequada para a peça de trabalho a cortar. No entanto, a velocidade adequada poderá ser diferente consoante o tipo de espessura da peça de trabalho. De maneira geral, as velocidades mais altas permitirão que corte peças de trabalho mais rápido, mas a vida útil da lâmina será reduzida.

Peça de trabalho a cortar	Número no manípulo de ajuste
Madeira	4 - 6
Aço macio	3 - 6
Aço inoxidável	3 - 4
Alumínio	3 - 6
Plástico	1 - 4

013925

PRECAUÇÃO:

- O manípulo de regulação da velocidade apenas pode ser rodado até 6 ou 1. Não o force para lá de 6 ou 1, caso contrário a função de regulação da velocidade poderá deixar de funcionar.

NOTA:

- Quando o manípulo de regulação da velocidade está em 3 ou mais, a ferramenta reduz automaticamente a velocidade sem carga para reduzir a vibração sem carga. Assim que a ferramenta receber carga, a velocidade da ferramenta atinge a velocidade predefinida. De seguida, a ferramenta mantém a velocidade até ser desligada. Quando a temperatura está baixa e existe menos fluidez na massa

lubrificante, a ferramenta pode não ter esta função mesmo com o motor a rodar.

MONTAGEM

PRECAUÇÃO:

- Certifique-se sempre de que a ferramenta está desligada e a bateria removida, antes de efectuar qualquer operação na ferramenta.

Instalar ou remover a lâmina

PRECAUÇÃO:

- Limpe sempre quaisquer aparas ou material estranho que esteja colado à lâmina e/ou suporte da lâmina. Se não o fizer, a lâmina poderá ficar insuficientemente apertada, resultando em ferimentos pessoais graves.
- Não toque numa lâmina ou no material em que tiver estado a trabalhar logo após a operação porque podem estar demasiado quentes.
- Aperte bem a lâmina da serra. Caso contrário, pode causar ferimentos graves.
- Quando remover a lâmina da serra, tenha cuidado para não magoar os dedos com a parte superior da lâmina ou as pontas da peça de trabalho. (Fig. 6)

Antes de instalar a lâmina, certifique-se de que o suporte da lâmina está na posição libertada.

Para instalar a lâmina, introduza a lâmina (dentes virados para a frente) no suporte da lâmina até encaixar. O suporte da lâmina move-se para a posição fixa sozinho e a lâmina é bloqueada. Puxe ligeiramente a lâmina para se certificar de que a lâmina não cai durante a utilização.

PRECAUÇÃO:

- Não abra demasiadamente o dispositivo de abertura da ferramenta, caso contrário, pode causar danos na mesma. (Fig. 7)

Para remover a lâmina, empurre o dispositivo de abertura da ferramenta ao máximo. Isto permite libertar a lâmina.

NOTA:

- Lubrifique periodicamente o rolo.

Armazenamento da chave sextavada (Fig. 8)

Quando não estiver a ser utilizada, guarde a chave sextavada tal como indicado na ilustração, para evitar que se perca.

Placa de cobertura (Fig. 9)

Utilize a placa de cobertura ao cortar folheados decorativos, plásticos, etc. Protege as superfícies sensíveis ou delicadas contra os danos. Encaixe na parte traseira da base da ferramenta.

Dispositivo de anti-fragmentação (Fig. 10)

Para cortes sem fragmentos, pode ser utilizado o dispositivo de anti-fragmentação. Para instalar o dispositivo de anti-fragmentação, mova a base da ferramenta completamente para a frente e encaixe-a a partir da parte traseira da base da ferramenta. Quando utiliza a placa de cobertura, instale o dispositivo de anti-fragmentação na placa de cobertura.

PRECAUÇÃO:

- O dispositivo de anti-fragmentação não pode ser utilizada ao efectuar cortes biselados.

Extracção de pó

O bico de pó (acessório opcional) é aconselhável para efectuar operações de corte limpas. (Fig. 11)

Para instalar o bico de pó na ferramenta, introduza o gancho do bico de pó no orifício na base. (Fig. 12) Para fixar o bico de pó, aperte o parafuso de fixação na parte frontal do bico de pó.

O bico de pó pode ser instalado no lado esquerdo ou direito da base. (Fig. 13)

De seguida, ligue um aspirador Makita ao bico de pó.

FUNCIONAMENTO

PRECAUÇÃO:

- Segure sempre a base ao nível da peça de trabalho. Caso contrário, pode causar quebras da lâmina, resultando em ferimentos graves.

NOTA:

- Se mantiver a ferramenta a funcionar ininterruptamente até a bateria se gastar completamente, deixe-a em repouso durante 15 minutos antes de substituir a bateria. (Fig. 14)

Ligue a ferramenta sem que a lâmina toque na peça de trabalho e aguarde até esta atinja a velocidade máxima. De seguida, assente a base na peça de trabalho e mova suavemente a ferramenta para a frente ao longo da linha de corta previamente assinalada.

Ao cortar curvas, avance a ferramenta muito lentamente.

Corte em bisel (Fig. 15)

PRECAUÇÃO:

- Certifique-se sempre de que a ferramenta está desligada e a bateria removida antes de inclinar a base.

Com a base inclinada, pode efectuar cortes biselados a qualquer ângulo entre 0° e 45° (para a esquerda ou direita). (Fig. 16)

Para inclinar a base, desaperte o parafuso na parte traseira da base com a chave sextavada. Mova a base de modo a que o parafuso fique posicionado no centro da ranhura biselada na base. (Fig. 17)

Incline a base até obter o ângulo biselado pretendido. O entalhe em V da caixa de engrenagens indica o ângulo biselado por graduações. De seguida, aperte bem o parafuso para fixar a base.

Cortes frontais uniformes (Fig. 18)

Desaperte o parafuso na parte traseira da base com a chave sextavada e deslize a base ao máximo para trás. De seguida, aperte o parafuso para fixar a base.

Recortes

Podem ser efectuados recortes com os métodos A ou B.

A) Efectuar um orifício inicial: (Fig. 19)

- Para os recortes internos sem um corte de entrada a partir de uma extremidade, pré-perfure um orifício inicial com 12 mm ou mais de diâmetro. Introduza a lâmina neste orifício para iniciar o corte.

B) Fresagem: (Fig. 20)

- Não necessita de efectuar um orifício inicial ou um corte de entrada se efectuar cuidadosamente o seguinte.
1. Incline a ferramenta para cima na extremidade frontal da base com a ponta da lâmina posicionada imediatamente acima da superfície da peça de trabalho.
 2. Aplique pressão na ferramenta para que a extremidade frontal da base não se mova quando liga a ferramenta e baixe lentamente a extremidade traseira da ferramenta.
 3. À medida que a lâmina fura a peça de trabalho, baixe lentamente a base da ferramenta para a superfície da peça de trabalho.
 4. Conclua normalmente o corte.

Acabamento das extremidades (Fig. 21)

Para aparar extremidades ou efectuar ajustes dimensionais, guie a lâmina ao longo das extremidades de corte.

Corte de metal

Utilize sempre refrigerante (óleo de corte) adequado quando cortar metal. Se não o fizer poderá desgastar significativamente a lâmina. A parte inferior da peça de trabalho pode ser lubrificada em vez de usar um refrigerante.

Conjunto de vedação para escarificação (acessório opcional)

⚠️ PRECAUÇÃO:

- Certifique-se sempre de que a ferramenta está desligada e a bateria removida antes de instalar ou retirar acessórios.

1. Cortes a direito (Fig. 22)

Ao cortar repetidamente larguras de 160 mm ou menos, utilize a vedação para escarificação, irá garantir cortes rápidos, limpos e rectos. (Fig. 23)

Para instalar, introduza a vedação para escarificação no orifício rectangular no lado da base da ferramenta com o guia de vedação virado para baixo. Deslize a vedação para escarificação para a posição de largura de corte pretendida, de seguida, aperte o parafuso para fixar.

2. Cortes circulares (Fig. 24 e 25)

Ao cortar círculos ou arcos com 170 mm de raio ou menos, instale a vedação para escarificação da seguinte forma.

1. Introduza a vedação para escarificação no orifício rectangular no lado da base com o guia de vedação virado para cima. Introduza o pino-guia circular através de qualquer um dos dois orifícios no guia de vedação. Aparafuse o manípulo roscado no pino para fixar o pino.
2. De seguida, deslize a vedação para escarificação para o raio de corte pretendido e aperte o parafuso para o fixar na posição. De seguida, mova a base para a frente ao máximo.

NOTA:

- Utilize sempre lâminas N.º B-17, B-18, B-26 ou B-27 ao cortar círculos ou arcos.

Conjunto do adaptador do carril de guia (acessório opcional) (Fig. 26)

Ao cortar uma largura paralela e uniforme ou a direito, a utilização do carril de guia e o adaptador do carril de guia irá garantir a produção de cortes rápidos e limpos.

Para instalar o adaptador do carril de guia, introduza a barra paralela ao máximo no orifício quadrado da base.

Fixe o parafuso com a chave sextavada. (Fig. 27)

Instale o adaptador do carril de guia no carril do carril de guia. Introduza a barra paralela no orifício quadrado do adaptador do carril de guia. Coloque a base na parte lateral do carril de guia e fixe bem o parafuso. (Fig. 28)

⚠️ PRECAUÇÃO:

- Utilize sempre lâminas N.º B-8, B-13, B-16, B-17 ou 58 ao utilizar o carril de guia e o adaptador do carril de guia.

MANUTENÇÃO

⚠️ PRECAUÇÃO:

- Certifique-se sempre de que a ferramenta está desligada e a bateria removida antes de efectuar operações de inspecção ou de manutenção.
- Nunca utilize gasolina, benzina, diluente, álcool ou semelhante. Podem formar-se descolorações, deformações ou fissuras.

Para manter os níveis de SEGURANÇA e FIABILIDADE definidos para este produto, as reparações e os procedimentos de manutenção ou ajustes devem ser executados por centros de assistência Makita autorizados, utilizando sempre peças de substituição Makita.

ACESSÓRIOS OPCIONAIS

⚠️ PRECAUÇÃO:

- Os seguintes acessórios ou extensões são os recomendados para utilizar com a ferramenta Makita especificada neste manual. A utilização de quaisquer outros acessórios poderá representar um risco de ferimento para as pessoas. Apenas utilize o acessório para o fim indicado.

Se precisar de informações adicionais relativas aos acessórios, contacte o centro local de assistência Makita.

- Lâminas de serra tico-tico
- Chave sextavada 4
- Conjunto de vedação para escarificação (guia paralela)
- Conjunto do adaptador do carril de guia
- Conjunto do carril de guia
- Dispositivo de anti-fragmentação
- Placa de cobertura
- Conjunto do bico de pó
- Bateria e carregador genuínos da Makita

NOTA:

- Alguns itens na lista podem estar incluídos no pacote de ferramentas como acessórios de série. Podem diferir de país para país.

Ruído

ENG905-1

O nível de ruído ponderado A típico determinado, de acordo com EN60745:

Modelo DJV142Nível de pressão sonora (L_{pA}): 78 dB (A)

Incerteza (K): 3 dB (A)

O nível de ruído quando em funcionamento pode exceder os 80 dB (A).

Modelo DJV182Nível de pressão sonora (L_{pA}): 77 dB (A)

Incerteza (K): 3 dB (A)

O nível de ruído quando em funcionamento pode exceder os 80 dB (A).

Use protecção ocular.**Vibração**

ENG900-1

O valor total de vibração (soma vector triaxial) determinado, de acordo com EN60745:

Modelo DJV142

Modo de trabalho: cortar placas

Emissão de vibração ($a_{h,B}$): 7,0 m/s²Incerteza (K): 1,5 m/s²

Modo de trabalho: cortar chapa metálica

Emissão de vibração ($a_{h,M}$): 4,0 m/s²Incerteza (K): 1,5 m/s²**Modelo DJV182**

Modo de trabalho: cortar placas

Emissão de vibração ($a_{h,B}$): 7,0 m/s²Incerteza (K): 1,5 m/s²

Modo de trabalho: cortar chapa metálica

Emissão de vibração ($a_{h,M}$): 3,5 m/s²Incerteza (K): 1,5 m/s²

ENG901-1

- O valor da emissão de vibração declarado foi medido de acordo com o método de teste padrão e pode ser utilizado para comparar uma ferramenta com outra.
- O valor da emissão de vibração declarado pode também ser utilizado numa avaliação preliminar de exposição.

⚠ AVISO:

- A emissão de vibração durante a utilização real da ferramenta eléctrica pode ser diferente do valor de emissão declarado, dependendo da forma como a ferramenta é utilizada.
- Certifique-se de que identifica medidas de segurança, para proteger o operador, que são baseadas numa estimativa de exposição nas condições reais de utilização (tendo em conta todas as partes do ciclo de funcionamento, como as vezes que a ferramenta é desligada e quando está a trabalhar ao ralenti, além do tempo de utilização).

Apenas para países europeus

ENH101-17

Declaração de conformidade CE**A Makita declara que as máquinas:**

Designação da máquina:

Serra Tico-Tico a Bateria

Nº/Tipo de modelo: DJV142, DJV182

Estão em conformidade com as directivas europeias seguintes:

2006/42/EC

São fabricadas de acordo com as normas e documentos padronizados seguintes:

EN60745

O ficheiro técnico em conformidade com a norma

2006/42/EC está disponível a partir de:

Makita, Jan-Baptist Vinkstraat 2, 3070, Bélgica

31. 12. 2013



Yasushi Fukaya

Director

Makita, Jan-Baptist Vinkstraat 2, 3070, Bélgica

DANSK (Originalvejledning)

Forklaring til generel oversigt

- | | | |
|--------------------------------------|-------------------------------|-------------------------|
| 1. Rød indikator | 13. Base | 25. Gearhus |
| 2. Knap | 14. Unbrakonøgle | 26. Starthul |
| 3. Batteripakke | 15. Dækplade | 27. Parallelenslag |
| 4. Stjernemærkning | 16. Anti-splintringsanordning | 28. Anslagsskinne |
| 5. Håndtag til skæringssskift | 17. Mundstykke | 29. Greb med gevind |
| 6. Låsekontakt | 18. Tilspændingsskrue | 30. Rund skinnestift |
| 7. Afbryderkontakt | 19. Slange til støvsuger | 31. Linealbjælke |
| 8. Lås til-knap | 20. Skærelinje | 32. Støtteskinneadapter |
| 9. Drejeknap til hastighedsjustering | 21. Bolt | 33. Skrue |
| 10. Låst position | 22. Skrånitsåbning | 34. Støtteskinne |
| 11. Frigjort position | 23. Gradinddelinger | |
| 12. Klinge til stiksav | 24. V-indhak | |

SPECIFIKATIONER

Model	DJV142	DJV182
Længde på snit	26 mm	26 mm
Maksimal skærekapacitet	Træ	135 mm
	Blødt stål	10 mm
	Aluminium	20 mm
Snit pr. minut (min ⁻¹)	800 - 3.500	800 - 3.500
Længde i alt	264 mm	266 mm
Nettovægt	2,5 kg	2,6 kg
Nominal spænding	14,4 V jævnstrøm	18 V jævnstrøm

- På grund af vores løbende forsknings- og udviklingsprogram kan specifikationerne heri ændres uden forudgående varsel.
- Specifikationerne og batteripakken kan variere fra land til land.
- Vægt, inklusive batteripakken, i henhold til EPTA-Procedure 01/2003

Tilsigtet anvendelse ENE019-1

Denne maskine er beregnet til skæring i træ-, plastik- og metalmaterialer. Som et resultat af det store tilbehørs- og savklingeprogram kan maskinen anvendes til mange formål og er meget velegnet til buede eller cirkulære snit.

Generelle sikkerhedsadvarsler for maskiner GEA010-1

⚠ ADVARSEL Læs alle sikkerhedsadvarsler og alle instruktioner. Hvis De ikke følger alle advarsler og instruktioner, kan det medføre elektrisk stød, brand og/eller alvorlig personskade.

Gem alle advarsler og instruktioner til senere reference.

SIKKERHEDSADVARSLER FOR LEDNINGSFRI STIKSAV GEB045-2

1. Hold maskiner i de isolerede gribeblader, når du udfører arbejde, hvor skæretilbehøret kan komme i kontakt med skjulte ledninger. Hvis skæretilbehøret kommer i kontakt med en strømførende ledning, kan udsatte metaldele på maskinen blive strømførende, hvorved operatøren kan få elektrisk stød.
2. Anvend skruetvinger eller en anden praktisk metode til at fastgøre og understøtte arbejdsemnet på et solidt underlag. Hvis du holder emnet i hånden eller mod kroppen, bliver det ustabilt, og du risikerer at miste kontrollen over det.
3. Anvend altid beskyttelsesbriller eller sikkerhedsbriller. Almindelige briller eller solbriller er IKKE beskyttelsesbriller.
4. Undgå at skære i søm. Eftersø arbejdsemnet for søm og fjern dem inden arbejdet udføres.
5. Skær ikke i meget store arbejdsemner.
6. Kontroller for ordentlig afstand under arbejdsemnet inden skæring, så klingens rammer gulvet, arbejdsbænken osv.
7. Hold godt fast i maskinen.
8. Sørg for, at savklingen ikke har kontakt med arbejdsemnet, før der tændes på kontakten.
9. Hold hænderne på afstand af bevægelige dele.
10. Gå ikke fra maskinen, mens den kører. Lad kun maskinen køre, mens du holder den i hænderne.
11. Sluk altid for maskinen, og vent til klingens ro, før du løfter klingens fra arbejdsemnet.
12. Rør ikke klingens eller arbejdsemnet umiddelbart efter brugen. De kan være meget varme og forårsage forbrændinger af huden.
13. Kør ikke maskinen mere end nødvendigt uden belastning.
14. Nogle materialer indeholder kemikalier, som kan være giftige. Sørg for, at undgå indånding af støv

- og kontakt med huden. Følg materialeleverandørens sikkerhedsdata.
15. Anvend altid korrekt støvmaske/ åndedrætsbeskyttelse til det materiale og formål, du arbejder med.

GEM DISSE INSTRUKTIONER.

⚠ ADVARSEL:

LAD IKKE tryghed eller kendskab til produktet (fra gentagen brug) føre til, at du ikke strengt overholder sikkerhedsreglerne for det gældende produkt. MISBRUG eller manglende overholdelse af sikkerhedsreglerne i denne brugsanvisning kan medføre alvorlig personskade.

VIGTIGE SIKKERHEDSINSTRUKTIONER

ENC007-8

FOR BATTERIPAKKEN

1. Før brugen af batteripakken skal du læse alle instruktioner og advarsler på (1) batteriopladeren, (2) batteriet og (3) det produkt, som batteriet anvendes i.
2. Skil ikke batteripakken ad.
3. Hvis driftstiden bliver betydeligt kortere, skal du straks ophøre med brugen. Brug kan medføre risiko for overophedning, risiko for forbrændinger eller endog eksplosion.
4. Hvis du får elektrolyt i øjnene, skal du med det samme rense øjnene med rent vand og søge læge. Dette kan medføre tab af synet.
5. Kortslut ikke batteripakken:
 - (1) Undgå at røre ved terminalerne med ledende materiale.
 - (2) Undgå at opbevare batteripakken i en beholder med andre metalgenstande som f.eks. søm, mønter osv.
 - (3) Udsæt ikke batteripakken for vand eller regn. Hvis batteriet kortsluttes, kan det medføre voldsom strøm, overophedning, mulige forbrændinger og endog nedbrud.
6. Undgå at opbevare værktøjet og batteripakken på steder, hvor temperaturen kan komme op på eller overstige 50°C.
7. Sæt ikke ild til batteripakken, selvom den er alvorligt beskadiget eller helt udtjent. Batteripakken kan eksplodere ved brand.
8. Undgå at tabe eller slå på batteriet.
9. Undlad brug af et beskadiget batteri.
10. Følg de lokale bestemmelser med hensyn til bortskaffelse af batteri.

GEM DISSE INSTRUKTIONER.

Tips til, hvordan du forlænger batteriets levetid

1. Oplad batteripakken, før den bliver helt afladet. Ophør med at bruge værktøjet, og udskift batteripakken, hvis strømmen til værktøjet aftager.

2. Oplad aldrig en fuldt opladet batteripakke. Overopladning forkorter batteriets levetid.
3. Oplad batteripakken ved stuetemperatur på 10°C - 40°C. Lad batteripakken køle ned før den oplades, hvis den er varm.
4. Oplad batteripakken en gang hver sjette måned, hvis du ikke bruger det i lang tid.

FUNKTIONSBESKRIVELSE

⚠ FORSIGTIG:

- Sørg altid for, at maskinen er slukket, og at batteripakken er taget ud, før du justerer maskinen eller kontrollerer dens funktion.

Montering eller afmontering af batteripakken (Fig. 1)

⚠ FORSIGTIG:

- Sluk altid for maskinen inden montering eller afmontering af batteripakken.
- Hold godt fast i maskinen og batteripakken, når du monterer eller afmonterer batteripakken. Hvis maskinen og batteripakken ikke holdes ordentligt fast, kan de glide ud af hænderne og resultere i skader på maskinen og batteripakken samt personskade.

Afmonter batteripakken ved at holde ned på knappen foran på batteripakken og skubbe den af maskinen. Ved montering af batteripakken justeres tungen på batteripakken med rillen i huset, hvorefter pakken skubbes ind på plads. Sæt den hele vejen ind, indtil den låses på plads med et lille klik. Hvis den røde indikator øverst på knappen er synlig, er batteripakken ikke låst helt fast.

⚠ FORSIGTIG:

- Sæt altid batteripakken helt ind, indtil den røde indikator ikke længere er synlig. Ellers kan den falde ud af maskinen og skade dig eller andre personer i nærheden.
- Anvend ikke kræfter ved monteringen af batteripakken. Hvis den ikke glider let ind, er den ikke indsat korrekt.

Batteribeskyttelsessystem (lithium-ion-batteri med stjernemærkning) (Fig. 2)

Lithium-ion-batterier med en stjernemærkning er udstyret med et beskyttelsessystem. Dette system slukker automatisk for strømmen til maskinen for at forlænge batterilevetiden.

Maskinen stopper automatisk under anvendelsen, hvis maskinen og/eller batteriet udsættes for en af de følgende situationer:

- Overbelastning:

Maskinen anvendes på en sådan måde, at det får den til at bruge unormalt meget strøm. I denne situation skal du slippe afbryderkontakten på maskinen og stoppe den anvendelse, som gjorde maskinen overbelastet. Tryk derefter ind på afbryderkontakten igen for at genstarte. Hvis maskinen ikke starter, er batteriet overbelastet. I denne situation skal du lade batteriet køle af, inden du trykker ind på afbryderkontakten igen.

- Lav batterispænding:
Den resterende batterikapacitet er for lav, og maskinen kan ikke køre. I denne situation skal du afmontere og oplade batteriet.

Valg af skæring (Fig. 3)

Maskinen kan benyttes med orbital skæring eller skæring i en lige linje (op og ned). Ved orbital skæring skubbes klingens fremad ved skærebevægelsen, hvorved skærehastigheden forøges væsentligt.

For at ændre skæringen skal du blot dreje håndtaget til skæringsskift hen på positionen for den ønskede skæring. Se i tabellen for at vælge den ønskede skæring.

Stilling	Skæring	Anvendelser
0	Skæring i lige linje	Til skæring i blødt stål, rustfrit stål og plastik. Til rene snit i træ og krydsfiner.
I	Orbital skæring med lille bue	Til skæring i blødt stål, aluminium og hårdt træ.
II	Orbital skæring med medium bue	Til skæring i træ og krydsfiner. Til hurtig skæring i aluminium og blødt stål.
III	Orbital skæring med stor bue	Til hurtig skæring i træ og krydsfiner.

006376

Betjening af afbryderkontakt

⚠ FORSIGTIG:

- Før batteripakken sættes i maskinen, skal du altid kontrollere, at afbryderkontakten reagerer korrekt og vender tilbage til "OFF"-positionen, når du slipper den. (Fig. 4)

For at starte maskinen:

Tryk på låsekontakten for at sætte maskinen i standbytilstand. Dette tænder også lampen.

Tryk på afbryderkontakten for at starte maskinen. Slip afbryderkontakten for at stoppe.

For kontinuerlig betjening skal du trykke på afbryderkontakten og derefter trykke lås til-knappen ind. Når du vil stoppe maskinen fra den låste position, skal du trykke afbryderkontakten helt ind og derefter slippe den. I standbytilstanden skal du trykke på låsekontakten for at slukke for lampen og sætte maskinen i lås fra-tilstand.

BEMÆRK:

- Låsekontakten aktiveres ikke under skærearbejder.
- Når maskinen er i standbytilstand, bliver lampen ved med at blinke.
- Hvis maskinen ikke anvendes i 10 sekunder i standbytilstanden, skifter maskinen automatisk til lås fra-tilstand, og lampen slukker.

Tænding af lamperne

⚠ FORSIGTIG:

- Se ikke direkte ind i lampen eller lyskilden. Tryk på låsekontakten for at tænde lampen. Tryk på låsekontakten igen for at slukke for lampen inden for 10 sekunder.

BEMÆRK:

- Benyt en tør klud til at tørre snavs af lampens linse. Pas på ikke at ridse lampens linse, da det kan mindske lysstyrken.
- Lampen blinker, når maskinen er overophedet. Lad maskinen køle helt af, inden den anvendes igen.

Drejknop til hastighedsjustering (Fig. 5)

Maskinens hastighed kan justeres grænseløst ved at dreje på drejknappen til hastighedsjustering. Du kan opnå den højeste hastighed på 6 og den laveste hastighed på 1.

Se tabellen for at vælge den rette hastighed til at skære arbejdsemnet. Den rette hastighed kan dog variere i forhold til arbejdsemnets type og tykkelse. Generelt gør højere hastigheder det muligt at skære arbejdsemnerne hurtigere, men klingens levetid forkortes.

Arbejdsemne, som skal skæres	Nummer på drejknappen
Træ	4 - 6
Blødt stål	3 - 6
Rustfrit stål	3 - 4
Aluminium	3 - 6
Plastik	1 - 4

013925

⚠ FORSIGTIG:

- Drejknappen til hastighedsjustering kan kun drejes op til 6 og tilbage til 1. Prøv ikke at tvinge den forbi 6 eller 1, da hastighedsjusteringen ellers kan gå i stykker.

BEMÆRK:

- Når drejknappen til hastighedsjustering er på 3 eller højere, reducerer maskinen automatisk hastigheden ved ingen belastning for at reducere vibrationer, når der ikke er nogen belastning. Når først maskinen udsættes for belastning, når maskinen op på den forudindstillede hastighed. Derefter beværer maskinen hastigheden, indtil maskinen slukkes. Når temperaturen er lav og smørelsen er mindre flydende, fungerer værktøjet muligvis ikke på denne måde, selv om motoren roterer.

MONTERING

⚠ FORSIGTIG:

- Sørg altid for, at maskinen er slukket, og at batteripakken er taget ud, før du udfører nogen form for arbejde på maskinen.

Montering eller afmontering af savklingen

⚠ FORSIGTIG:

- Fjern altid alle spåner eller fremmedlegemer fra klingens og/eller klingefastholderen. Hvis du ikke gør dette, strammes klingens muligvis ikke ordentligt fast, hvilket kan medføre alvorlig personskade.
- Rør ikke klingens eller arbejdsemnet umiddelbart efter brugen. De kan være meget varme og forårsage forbrændinger af huden.
- Stram savklingen godt. Undladdelse af dette kan medføre alvorlig personskade.

- Pas på ikke at skære fingrene på toppen af klingen eller spidserne af arbejdsemnet, når du afmonterer savklingen. (Fig. 6)

Inden du monterer klingene, skal du sikre dig, at klingeholderen er i den frigjorte position.

For at montere klingene skal du sætte klingene (med tænderne vendt fremad) ind i klingeholderen, indtil den klikker fast. Klingeholderen bevæger sig selv hen på den låste position, og klingene er låst. Træk forsigtigt i klingene for at sikre, at klingene ikke falder af under anvendelsen.

⚠ FORSIGTIG:

- Åbn ikke maskinåbneren unødvendigt meget, da det kan forvolde maskinskade. (Fig. 7)
- For at afmontere klingene skal du trykke maskinåbneren så langt den kan komme. Dette gør det muligt frigøre klingene.

BEMÆRK:

- Smør rullen en gang i mellem.

Opbevaring af unbrakonøgle (Fig. 8)

Opbevar unbrakonøglen som vist i figuren, når den ikke anvendes, for at forhindre, at den bliver væk.

Dækplade (Fig. 9)

Brug dækpladen ved skæring af dekorativt finer, plastik osv. Den beskytter sarte eller skrøbelige overflader mod beskadigelse. Sæt den fast bag på maskinens base.

Anti-splintringsanordning (Fig. 10)

Du kan anvende anti-splintringsanordningen for snit uden splinter. For at montere anti-splintringsanordningen skal du flytte maskinens base helt frem og sætte den bag på maskinens base. Når du anvender dækpladen, skal du montere anti-splintringsanordningen på dækpladen.

⚠ FORSIGTIG:

- Anti-splintringsanordningen kan ikke anvendes ved skråsnit.

Støvdugning

Mundstykke (ekstraudstyr) anbefales for udførsel af rene skæringer. (Fig. 11)

For at montere mundstykket på maskinen skal du sætte krogen på mundstykket ind i hullet i basen. (Fig. 12) Stram tilspændingsskruen forrest på mundstykket for at fastgøre mundstykket.

Mundstykket kan monteres på enten venstre eller højre side af basen. (Fig. 13)

Tilslut derefter en Makita-støvsuger til mundstykket.

BETJENING

⚠ FORSIGTIG:

- Hold altid basen i flugt med arbejdsemnet. Undladelse af dette kan medføre, at klingene knækker med alvorlig personskade til følge.

BEMÆRK:

- Hvis maskinen betjenes konstant, indtil batteripakken er afladet, skal du lade maskinen hvile i 15 minutter, før du fortsætter med et nyt batteri. (Fig. 14)

Tænd for maskinen, uden at klingene kommer i kontakt med arbejdsemnet og vent, indtil klingene er kommet op på fuld hastighed. Placer derefter basen fladt på

arbejdsemnet og bevæg stille og roligt maskinen fremad langs den på forhånd opmærkede skærelinje. Når skæringen buer, skal maskinen føres meget langsomt frem.

Skråsnit (Fig. 15)

⚠ FORSIGTIG:

- Sørg altid for, at maskinen er slukket, og batteripakken er taget ud, før du vipper basen.

Du kan foretage skråsnit, med basen vipet, på enhver vinkel mellem 0° og 45° (venstre eller højre). (Fig. 16)

For at vippe basen skal du løse boltene bag på basen med unbrakonøglen. Flyt basen så boltene er placeret i midten af skråsnitsåbningen i basen. (Fig. 17)

Vip basen indtil den ønskede skråsnitsvinkel er opnået.

V-indhakket i gearhuset angiver skråsnitsvinklen vha. gradinddelinger. Stram derefter boltene ordentligt for at fastgøre basen.

Snit i flugt med front (Fig. 18)

Løsn boltene bag på basen med unbrakonøglen og skub basen helt tilbage. Stram derefter boltene for at fastgøre basen.

Udskæringer

Udskæringer kan udføres med én af to metoder, A eller B.

A) Boring af et starthul: (Fig. 19)

- Ved indvendige udskæringer uden noget indgangssnit fra en kant skal der bores et starthul med en diameter på 12 mm eller mere. Sæt klingene ned i dette hul for at starte skæringen.

B) Dyksnit: (Fig. 20)

- Du behøver ikke at bore noget starthul eller lave et indgangssnit, hvis du omhyggeligt gør som følger.
 1. Vip maskinen op på forkanten af basen med klingespidsen placeret lige over arbejdsemnets overflade.
 2. Tryk på maskinen så forkanten af basen ikke bevæger sig, når du tænder for maskinen og stille og roligt langsomt sænker bagenden af maskinen.
 3. Sænk langsomt maskinens base ned på arbejdsemnet overflade efterhånden som klingene trænger igennem arbejdsemnet.
 4. Gennemfør snittet som normalt.

Færdigbehandling af kanter (Fig. 21)

For at studse kanter eller foretage dimensionale justeringer skal klingene føres let langs snittets kanter.

Metalskæring

Brug altid en egnet kølevæske (skæreolie) ved skæring i metal. Undladelse af dette medfører stort slid på klingene. Undersiden af arbejdsemnet kan smøres i stedet for brug af en kølevæske.

Parallelanslagssæt (ekstraudstyr)

⚠ FORSIGTIG:

- Sørg altid for, at maskinen er slukket, og batteripakken er taget ud, før du monterer eller afmonterer tilbehør.

1. Lige snit (Fig. 22)

Ved gentagne skærebredder på 160 mm eller mindre skal du anvende parallelanslaget for at sikre hurtige, rene, lige snit. (Fig. 23)

Montering foregår ved, at parallelanslaget sættes ind i det rektangulære hul på siden af maskinens base med anslagsskinen vendende nedad. Skub parallelanslaget hen på den ønskede skærebreddeposition, og stram derefter boltene for at fastgøre den.

2. Runde snit (Fig. 24 og 25)

Monter parallelanslaget som følger ved skæring af cirkler eller buer på 170 mm eller mindre i radius.

1. Sæt parallelanslaget ind i det rektangulære hul på siden af basen med anslagsskinen vendende opad. Før den runde skinnestift gennem et af de to huller i anslagsskinen. Skru grebet med gevind på stiftene for at fastgøre stiftene.
2. Skub nu parallelanslaget hen på den ønskede skæreradius, og stram boltene for at fastgøre den. Flyt derefter basen helt frem.

BEMÆRK:

- Brug altid klingerne nr. B-17, B-18, B-26 eller B-27 ved skæring af cirkler eller buer.

Støtteskinneadaptersæt (ekstraudstyr) (Fig. 26)

Når du skærer parallelt og med ens bredde eller skærer lige, sikrer brugen af støtteskinne og støtteskinneadapteren hurtige og rene snit.

For at montere støtteskinneadapteren skal linealbjælken sættes ind i det firkantede hul i basen, så langt den kan komme. Fastgør boltene ordentligt med unbrakonøglen. (Fig. 27)

(Fig. 27)

Monter støtteskinneadapteren på skinnen af støtteskinne. Sæt linealbjælken ind i det firkantede hul i støtteskinneadapteren. Placer basen på siden af støtteskinne og fastgør boltene ordentligt. (Fig. 28)

⚠ FORSIGTIG:

- Brug altid klingerne nr. B-8, B-13, B-16, B-17 eller 58 ved brug af støtteskinne og støtteskinneadapteren.

VEDLIGEHOVELSE

⚠ FORSIGTIG:

- Sørg altid for, at maskinen er slukket, og at batteripakken er taget ud, før du forsøger at udføre inspektion eller vedligeholdelse.
- Brug aldrig benzin, benzen, fortynder, alkohol eller lignende. Det kan muligvis medføre misfarvning, deformation eller revner.

For at holde produktet SIKKERT og PÅLIDELIGT skal reparationer samt al anden vedligeholdelse eller justering udføres af autoriserede Makita-servicecentre, og der skal altid benyttes Makita-reservedele.

EKSTRAUDSTYR

⚠ FORSIGTIG:

- Dette tilbehør eller ekstraudstyr anbefales til brug med det Makita-værktøj, som er beskrevet i denne brugsanvisning. Brug af andet tilbehør eller ekstraudstyr kan forårsage personskade. Brug kun

tilbehør eller ekstraudstyr til det formål, det er beregnet til.

Henvend dig til dit lokale Makita-servicecenter, hvis du har brug for hjælp eller yderligere oplysninger vedrørende tilbehøret.

- Klinger til stiksav
- Unbrakonøgle 4
- Sæt med parallelanslag (skinnelineal)
- Støtteskinneadaptersæt
- Støtteskinnesæt
- Anti-splintringsanordning
- Dæklade
- Mundstykke montage
- Originalt batteri og oplader fra Makita

BEMÆRK:

- Visse dele på listen er muligvis indeholdt maskinindpakningen som standardtilbehør. De kan variere fra land til land.

Støj

ENG905-1

Det typiske A-vægtede støjniveau bestemt i overensstemmelse med EN60745:

Model DJV142

Lydtryksniveau (L_{pA}): 78 dB (A)

Usikkerhed (K): 3 dB (A)

Støjniveauet under arbejdet kan muligvis overstige 80 dB (A).

Model DJV182

Lydtryksniveau (L_{pA}): 77 dB (A)

Usikkerhed (K): 3 dB (A)

Støjniveauet under arbejdet kan muligvis overstige 80 dB (A).

Bær høreværn.

Vibration

ENG900-1

Den samlede vibrationsværdi (treaksial vektorsum) bestemt i overensstemmelse med EN60745:

Model DJV142

Arbejdstilstand: skæring i plader
Vibrationsemission ($a_{h,B}$): 7,0 m/s²
Usikkerhed (K): 1,5 m/s²

Arbejdstilstand: skæring i metalplader
Vibrationsemission ($a_{h,M}$): 4,0 m/s²
Usikkerhed (K): 1,5 m/s²

Model DJV182

Arbejdstilstand: skæring i plader
Vibrationsemission ($a_{h,B}$): 7,0 m/s²
Usikkerhed (K): 1,5 m/s²

Arbejdstilstand: skæring i metalplader
Vibrationsemission ($a_{h,M}$): 3,5 m/s²
Usikkerhed (K): 1,5 m/s²

ENG901-1

- Den opgivne vibrationsemissionsværdi er målt i overensstemmelse med standardtestmetoden og kan bruges til at sammenligne et værktøj med et andet.
- Den opgivne vibrationsemissionsværdi kan muligvis også bruges til en indledende eksponeringsvurdering.

⚠ ADVARSEL:

- Vibrationsemissionen under den faktiske brug af maskinen kan afvige fra den opgivne emissionsværdi afhængigt af den måde, maskinen anvendes på.
- Sørg for at bestemme sikkerhedsforanstaltninger for beskyttelse af operatøren, som er baseret på en eksponeringsvurdering for brug under faktiske forhold (hvor alle anvendelsescyklussens dele inddrages, som f.eks. antal gange maskinen slukkes, og når den kører i tomgang ud over triggertiden).

Kun for europæiske lande

ENH101-17

EF-overensstemmelseserklæring

Makita erklærer at følgende Makita-maskine(r):

Maskinens betegnelse:

Ledningsfri stiksav

Modelnummer/type: DJV142, DJV182

Overholder følgende europæiske direktiver:

2006/42/EF

De er produceret i overensstemmelse med den følgende standard eller standardiserede dokumenter:

EN60745

Den tekniske fil er i overensstemmelse med 2006/42/EF til rådighed fra:

Makita, Jan-Baptist Vinkstraat 2, 3070, Belgien

31. 12. 2013



Yasushi Fukaya

Direktør

Makita, Jan-Baptist Vinkstraat 2, 3070, Belgien

ΕΛΛΗΝΙΚΑ (Πρωτογενείς οδηγίες)

Περιγραφή γενικής όψης

1. Κόκκινη ένδειξη	12. Λάμα σέγας	23. Διαβαθμίσεις
2. Κουμπί	13. Βάση	24. Εγκοπτή V
3. Κασέτα μπαταρίας	14. Εξαγωνικό κλειδί	25. Θήκη γραναζιών
4. Ένδειξη άστρου	15. Πλάκα κάλυψης	26. Οπή έναρξης
5. Μοχλός αλλαγής κοπτικής λειτουργίας	16. Συσκευή έναντι θραυσμάτων	27. Οδηγός κοπής
6. Διακόπτης κλειδώματος	17. Στόμιο σκόνης	28. Κανόνας οδήγησης
7. Σκανδάλη-διακόπτης	18. Βίδα σύσφιξης	29. Κομβίο με σπείρωμα
8. Κουμπί κλειδώματος	19. Εύκαμπτος σωλήνας για απορροφητική σκούπα	30. Κυκλικός οδηγητικός πείρος
9. Επιλογέας ρύθμισης ταχύτητας	20. Γραμμή κοπής	31. Ράβδος χάρακα
10. Σταθεροποιημένη θέση	21. Μπουλόνι	32. Προσαρμογέας οδηγητικής ράγας
11. Ελευθερωμένη θέση	22. Λοξή σχισμή	33. Βίδα
		34. Οδηγητική ράγα

ΠΡΟΔΙΑΓΡΑΦΕΣ

Μοντέλο	DJV142	DJV182
Μήκος διαδρομής	26 mm	26 mm
Μέγιστες ικανότητες κοπής	Ξύλο	135 mm
	Χαλυβδοσίδηρος	10 mm
	Αλουμίνιο	20 mm
Διαδρομές το λεπτό (min ⁻¹)	800 - 3.500	800 - 3.500
Ολικό μήκος	264 mm	266 mm
Καθαρό βάρος	2,5 kg	2,6 kg
Ονομαστική τιμή τάσης	D.C. 14,4 V	D.C. 18 V

- Λόγω του συνεχόμενου προγράμματος που εφαρμόζουμε για έρευνα και ανάπτυξη, τα τεχνικά χαρακτηριστικά στο παρόν έντυπο υπόκεινται σε αλλαγή χωρίς προειδοποίηση.
- Τα τεχνικά χαρακτηριστικά και η μπαταρία ενδέχεται να διαφέρουν από χώρα σε χώρα.
- Βάρος μαζί με την μπαταρία σύμφωνα με τη διαδικασία της ΕΡΤΑ 01/2003

Προοριζόμενη χρήση

ENE019-1

Το εργαλείο προορίζεται για το πρίονισμα ξύλου, πλαστικού και σιδηρούχων υλικών. Το εργαλείο μπορεί να χρησιμοποιηθεί για πολλές εφαρμογές και είναι κατάλληλο για καμπυλωτές ή κυκλικές τομές.

Γενικές Προειδοποιήσεις Ασφαλείας Του Ηλεκτρικού Εργαλείου

GEA010-1

⚠ ΠΡΟΕΙΔΟΠΟΙΗΣΗ Διαβάστε όλες τις προειδοποιήσεις ασφαλείας και όλες τις οδηγίες. Αν δεν ακολουθήσετε όλες τις προειδοποιήσεις και τις οδηγίες, υπάρχει κίνδυνος ηλεκτροπληξίας, πυρκαγιάς ή/και σοβαρού τραυματισμού.

Φυλάξτε όλες τις προειδοποιήσεις και τις οδηγίες για μελλοντική αναφορά.

ΠΡΟΕΙΔΟΠΟΙΗΣΕΙΣ ΑΣΦΑΛΕΙΑΣ ΣΕΓΑΣ ΜΠΑΤΑΡΙΑΣ

GEB045-2

1. Να κρατάτε το ηλεκτρικό εργαλείο από τις μονωμένες λαβές όταν εκτελείτε εργασίες κατά τις οποίες το κοπτικό εξάρτημα μπορεί να έρθει σε επαφή με κρυμμένα καλώδια. Αν το κοπτικό

- εξάρτημα έρθει σε επαφή με κάποιο ηλεκτροφόρο καλώδιο, τα εκτεθειμένα μεταλλικά μέρη του ηλεκτρικού εργαλείου θα γίνουν κι αυτά ηλεκτροφόρα και μπορεί να προκληθεί ηλεκτροπληξία στο χειριστή.
2. **Να χρησιμοποιείτε σφικτήρες ή κάποιο άλλο πρακτικό μέσο για να ασφαλίσετε και να στηρίξετε το τεμάχιο εργασίας σε μια σταθερή πλατφόρμα.** Αν κρατάτε το τεμάχιο εργασίας με το χέρι σας ή επάνω στο σώμα σας, θα είναι ασταθές και μπορεί να χάσετε τον έλεγχο.
3. **Να χρησιμοποιείτε πάντοτε γυαλιά ασφαλείας ή προστατευτικά ματιών.** Τα συνηθισμένα γυαλιά ή τα γυαλιά ηλίου ΔΕΝ αποτελούν γυαλιά ασφαλείας.
4. **Να αποφεύγετε την κοπή καρφιών.** Να ελέγχετε το τεμάχιο εργασίας για τυχόν καρφιά και να τα αφαιρείτε πριν από τη λειτουργία.
5. Μην κόβετε υπερμεγέθη τεμάχια εργασίας.
6. Πριν από την κοπή, να ελέγχετε ότι υπάρχει επαρκής απόσταση πέρα από το τεμάχιο εργασίας ώστε η λάμα να μη χτυπήσει το δάπεδο, τον πάγκο εργασίας, κτλ.
7. Να κρατάτε το εργαλείο σταθερά.
8. Βεβαιωθείτε ότι η λεπίδα δεν ακουμπά στο τεμάχιο εργασίας πριν ενεργοποιήσετε το διακόπτη λειτουργίας.
9. Μην πλησιάζετε τα χέρια σας σε κινούμενα μέρη.

10. Μην αφήνετε το εργαλείο σε λειτουργία. Το εργαλείο πρέπει να βρίσκεται σε λειτουργία μόνο όταν το κρατάτε.
11. Πάντοτε να σβήνετε το εργαλείο και να περιμένετε να σταματήσει να κινείται εντελώς η λεπίδα πριν τη βγάλετε από το τεμάχιο εργασίας.
12. Μην αγγίζετε την λάμα ή το τεμάχιο εργασίας αμέσως μετά τη λειτουργία του εργαλείου. Μπορεί να είναι εξαιρετικά θερμά και να προκαλέσει έγκαυμα στο δέρμα σας.
13. Μη θέτετε το εργαλείο σε λειτουργία χωρίς φόρτο, αν αυτό δεν είναι απαραίτητο.
14. Μερικά υλικά περιέχουν χημικές ουσίες που μπορεί να είναι τοξικές. Να προσέχετε ώστε να αποφεύγετε την εισπνοή της σκόνης και την επαφή με το δέρμα. Ακολουθείτε τα δεδομένα ασφάλειας υλικού που παρέχονται από τον προμηθευτή.
15. Να χρησιμοποιείτε πάντοτε προσωπίδα κατά της σκόνης/αναπνευστήρα που είναι κατάλληλα για το υλικό και την εφαρμογή σας.
6. Μην αποθηκεύετε το εργαλείο και την μπαταρία σε μέρη όπου η θερμοκρασία μπορεί να φτάσει ή να ξεπεράσει τους 50°C (122°F).
7. Μην αποτεφρώνετε την μπαταρία ακόμη κι αν παρουσιάζει σοβαρή ζημιά ή είναι εντελώς φθαρμένη. Η μπαταρία μπορεί να εκραγεί σε φωτιά.
8. Να προσέχετε να μη σας πείσει η μπαταρία και να μη συγκολληθεί με κάποιο αντικείμενο.
9. Μη χρησιμοποιείτε μια μπαταρία που έχει υποστεί βλάβη.
10. Ακολουθήστε τους τοπικούς κανονισμούς σχετικά με την απόρριψη της μπαταρίας.

ΦΥΛΑΞΤΕ ΑΥΤΕΣ ΤΙΣ ΟΔΗΓΙΕΣ.

Συμβουλές για τη διατήρηση της μέγιστης ζωής της μπαταρίας

1. Να φορτίζετε την μπαταρία πριν αποφορτιστεί εντελώς. Πάντοτε να διακόπτετε τη λειτουργία του εργαλείου και να φορτίζετε την μπαταρία όταν παρατηρείται μειωμένη ισχύ του εργαλείου.
2. Ποτέ μην επαναφορτίζετε μια πλήρως φορτισμένη μπαταρία. Αν υπερφορτίσετε την μπαταρία, μειώνεται η ωφέλιμη διάρκεια ζωής της.
3. Να φορτίζετε την μπαταρία σε θερμοκρασία δωματίου, δηλαδή στους 10°C έως 40°C (50°F έως 104°F). Αν η μπαταρία είναι θερμή, αφήστε την να ψυχθεί πριν τη φορτίσετε.
4. Να φορτίζετε την κασέτα μπαταρίας μια φορά κάθε έξι μήνες όταν δεν τη χρησιμοποιείτε για μεγάλο χρονικό διάστημα.

ΦΥΛΑΞΤΕ ΑΥΤΕΣ ΤΙΣ ΟΔΗΓΙΕΣ.

⚠ ΠΡΟΕΙΔΟΠΟΙΗΣΗ:

ΜΗΝ επιτρέψετε στη βολικότητα ή στην εξοικειωσή σας με το προϊόν (που αποκτήθηκε από επανειλημμένη χρήση) να αντικαταστήσει την αυστηρή προσήλωση στους κανόνες ασφάλειας του εν λόγω προϊόντος. Η ΛΑΝΘΑΣΜΕΝΗ ΧΡΗΣΗ ή η μη τήρηση των κανόνων ασφαλείας που διατυπώνονται στο παρόν εγχειρίδιο οδηγιών μπορεί να προκαλέσει σοβαρό τραυματισμό.

ΣΗΜΑΝΤΙΚΕΣ ΟΔΗΓΙΕΣ ΑΣΦΑΛΕΙΑΣ

ENC007-8

ΓΙΑ ΤΗΝ ΜΠΑΤΑΡΙΑ

1. Πριν χρησιμοποιήσετε την μπαταρία, διαβάστε όλες τις οδηγίες και τις ενδείξεις προφύλαξης στο (1) φορτιστή μπαταρίας, (2) την μπαταρία και (3) το προϊόν στο οποίο χρησιμοποιείται η μπαταρία.
2. Μην αποσυναρμολογείτε την μπαταρία.
3. Αν ο χρόνος λειτουργίας της μπαταρίας είναι υπερβολικά σύντομος, διακόψτε αμέσως τη λειτουργία. Αν συνεχίσετε, μπορεί να έχει ως αποτέλεσμα τον κίνδυνο υπερθέρμανσης, πιθανών εγκαυμάτων και ακόμη έκρηξης.
4. Αν μπει στα μάτια σας ηλεκτρολύτης, ξεπλύνετε με καθαρό νερό και αναζητήστε αμέσως ιατρική βοήθεια. Μπορεί να χάσετε την όρασή σας.
5. Μη βραχυκυκλώνετε την μπαταρία:
 - (1) Μην αγγίζετε τους ακροδέκτες με αγώγιμο υλικό.
 - (2) Μην αποθηκεύετε την μπαταρία σε δοχείο με άλλα μεταλλικά αντικείμενα, όπως καρφιά, νομίσματα, κτλ.
 - (3) Μην εκθέτετε την μπαταρία σε νερό ή βροχή. Αν βραχυκυκλωθεί η μπαταρία, μπορεί να προκληθεί μεγάλη ροή ηλεκτρικού ρεύματος, υπερθέρμανση, πιθανά εγκαυματα και ακόμη και καταστροφή της μπαταρίας.

ΠΕΡΙΓΡΑΦΗ ΛΕΙΤΟΥΡΓΙΑΣ

⚠ ΠΡΟΣΟΧΗ:

- Να βεβαιώνετε πάντοτε ότι έχετε σβήσει το εργαλείο και έχετε βγάλει την κασέτα μπαταρίας πριν ρυθμίσετε ή ελέγξετε κάποια λειτουργία του εργαλείου.

Τοποθέτηση ή αφαίρεση της κασέτας μπαταρίας (Εικ. 1)

⚠ ΠΡΟΣΟΧΗ:

- Πάντοτε να απενεργοποιείτε το εργαλείο πριν από την τοποθέτηση ή την αφαίρεση της κασέτας μπαταρίας.
- Κρατήστε το εργαλείο και την κασέτα μπαταρίας γερά κατά την τοποθέτηση ή την αφαίρεση της κασέτας μπαταρίας. Εάν δεν κρατήσετε το εργαλείο και την μπαταρία καλά μπορεί να γλιστρήσουν από τα χέρια σας και να προκληθεί ζημιά στο εργαλείο και στη μπαταρία αλλά και προσωπικός τραυματισμός.

Για να βγάλετε την κασέτα μπαταρίας, σύρετε την από το εργαλείο ολισθαίνοντας το κουμπί στο μπροστινό μέρος της κασέτας.

Για να τοποθετήσετε την κασέτα μπαταρίας, ευθυγραμμίστε τη γλωττίδα της κασέτας μπαταρίας με την εγχοπή στο περιβλήμα και ολισθήστε τη στη θέση της. Τοποθετήστε τη έως το τέρμα, δηλαδή έως όπου ασφαλίσει στη θέση και ακουστεί ένας ασθενής ήχος "κλικ". Αν μπορείτε να δείτε την κόκκινη ένδειξη στην

πάνω πλευρά του κουμπιού, η μπαταρία δεν είναι πλήρως ασφαλισμένη.

⚠️ ΠΡΟΣΟΧΗ:

- Πάντοτε να τοποθετείτε πλήρως την κασέτα μπαταρίας για να μη φαίνεται η κόκκινη ένδειξη. Σε αντίθετη περίπτωση, μπορεί να πέσει κατά λάθος από το εργαλείο και να τραυματίσει εσάς ή κάποιον παρευρισκόμενο.
- Μην εισάγετε με τη βία την κασέτα μπαταρίας. Αν η κασέτα δεν ολισθαίνει με ευκολία, δεν την εισαγάγετε σωστά.

Σύστημα προστασίας μπαταρίας (Μπαταρία ιόντων λιθίου με την ένδειξη άστρου) (Εικ. 2)

Οι μπαταρίες ιόντων λιθίου με ένδειξη άστρου είναι εφοδιασμένες με ένα σύστημα προστασίας. Αυτό το σύστημα διακόπτει αυτόματα το ρεύμα στο εργαλείο για να παρατηνείται η διάρκεια ζωής της μπαταρίας. Το εργαλείο θα σταματήσει αυτόματα κατά τη λειτουργία όταν το εργαλείο και/ή η μπαταρία υποστούν τις παρακάτω συνθήκες:

- Υπερφόρτιση:

Το εργαλείο λειτουργεί με τρόπο που προκαλεί την κατανάλωση ασυνήθιστα υψηλής ποσότητας ρεύματος.

Στην περίπτωση αυτή, ελευθερώστε τη σκανδάλη-διακόπτης του εργαλείου και σταματήστε την εφαρμογή που προκάλεσε την υπερφόρτωση του εργαλείου. Στη συνέχεια, τραβήξτε τη σκανδάλη-διακόπτης ξανά για επανεκκίνηση.

Εάν το εργαλείο δεν ξεκινά, η μπαταρία έχει υπερθερμανθεί. Στην περίπτωση αυτή, αφήστε την μπαταρία να κρυώσει πριν τραβήξετε τη σκανδάλη-διακόπτης ξανά.

- Χαμηλή τάση μπαταρίας:

Η εναπομείνουσα ποσότητα ρεύματος της μπαταρίας είναι πολύ χαμηλή και το εργαλείο δεν θα λειτουργήσει. Σε αυτήν την περίπτωση, αφαιρέστε και επαναφορτίστε τη μπαταρία.

Επιλογή της κοπτικής λειτουργίας (Εικ. 3)

Μπορείτε να χρησιμοποιείτε το εργαλείο αυτό με κοπτική λειτουργία καμπύλης ή ευθείας (πάνω και κάτω). Με την κοπτική λειτουργία καμπύλης, η λάμα ωθείται προς τα εμπρός στη διαδρομή κοπής και αυξάνεται πολύ η ταχύτητα κοπής.

Για να αλλάξετε την κοπτική λειτουργία, απλά περιστρέψτε το μοχλό αλλαγής κοπτικής λειτουργίας στην επιθυμητή θέση κοπτικής λειτουργίας. Ανατρέξτε στον πίνακα για να επιλέξετε την κατάλληλη κοπτική λειτουργία.

Θέση	Κοπτική λειτουργία	Εφαρμογές
0	Κοπτική λειτουργία ευθείας γραμμής	Για το κόψιμο μαλακού ατσάλιου, ανοξείδωτο ατσάλιου και πλαστικών. Για το καθαρό κόψιμο ξύλου και κοντραπλακέ.
I	Κοπτική λειτουργία μικρής καμπύλης	Για το κόψιμο μαλακού ατσάλιου, αλουμινίου και σκληρού ξύλου.
II	Κοπτική λειτουργία μέτριας καμπύλης	Για το κόψιμο ξύλου και κοντραπλακέ. Για γρήγορο κόψιμο αλουμινίου και χαλυβδοσιδήρου.
III	Κοπτική λειτουργία μεγάλης καμπύλης	Για γρήγορο κόψιμο ξύλου και κοντραπλακέ.

006376

Δράση διακόπτη

⚠️ ΠΡΟΣΟΧΗ:

- Πριν την τοποθέτηση της μπαταρίας στο εργαλείο, πάντοτε να ελέγχετε ότι η σκανδάλη-διακόπτης ενεργοποιείται κανονικά και επιστρέφει στη θέση "OFF" όταν την αφήνετε. (Εικ. 4)

Για να εκκινήσετε το εργαλείο:

Πιέστε το διακόπτη κλειδώματος για να θέσετε τη συσκευή στη λειτουργία αναμονής. Η ενέργεια αυτή ενεργοποιεί τη λυχνία επίσης.

Τραβήξτε τη σκανδάλη-διακόπτης για να ξεκινήσει το εργαλείο. Για να σταματήσετε το εργαλείο, αφήστε τη σκανδάλη-διακόπτης.

Για συνεχόμενη λειτουργία, τραβήξτε τη σκανδάλη-διακόπτης και κατόπιν σπρώξτε το κουμπί κλειδώματος.

Για να βγάλετε το εργαλείο από την κλειδωμένη θέση, τραβήξτε πλήρως τη σκανδάλη-διακόπτης και κατόπιν αφήστε την.

Στη λειτουργία αναμονής, πατήστε το διακόπτη κλειδώματος για να σβήσετε τη λυχνία και θέστε το εργαλείο στη λειτουργία κλειδώματος.

ΣΗΜΕΙΩΣΗ:

- Ο διακόπτης κλειδώματος δεν ενεργοποιείται κατά τη λειτουργία κοπής.
- Όταν η συσκευή βρίσκεται στη λειτουργία αναμονής, η λυχνία συνεχίζει να φωτίζει.
- Εάν το εργαλείο παραμείνει για 10 δευτερόλεπτα χωρίς καμία εργασία στη λειτουργία αναμονής, το εργαλείο αυτόματα μεταβαίνει στη λειτουργία κλειδώματος και σβήνει η λυχνία.

Αναμια των λυχνιών

⚠️ ΠΡΟΣΟΧΗ:

- Μην κοιτάτε κατευθείαν μέσα στη λυχνία ή στην πηγή του φωτός της λυχνίας.
Για να ενεργοποιήσετε τη λυχνία, πατήστε διακόπτη κλειδώματος.
Για να απενεργοποιήσετε την λυχνία εντός των 10 δευτερολέπτων, πατήστε ξανά το διακόπτη κλειδώματος.

ΣΗΜΕΙΩΣΗ:

- Χρησιμοποιήστε ένα στεγνό πανί για να σκουπίσετε τη σκόνη από το φακό της λυχνίας. Προσέχετε να μη γρατσουνίσετε το φακό της λυχνίας, επειδή μπορεί να μειωθεί η ένταση του φωτισμού.
- Όταν υπερφορτώνεται το εργαλείο κατά τη λειτουργία, η λυχνία αναβοσβήνει. Αφήστε να κρυώσει εντελώς το εργαλείο πριν το λειτουργήσετε ξανά.

Επιλογέας ρύθμισης ταχύτητας (Εικ. 5)

Η ταχύτητα του εργαλείου μπορεί να ρυθμιστεί αδιαβάθμητα περιστρέφοντας τον επιλογέα ρύθμισης ταχύτητας. Μπορείτε να λάβετε την υψηλότερη ταχύτητα στο 6 και η χαμηλότερη ταχύτητα στο 1.

Ανατρέξτε στον πίνακα για να επιλέξετε τη σωστή ταχύτητα για το τεμάχιο εργασίας που θα κοπεί. Ωστόσο, η κατάλληλη ταχύτητα ενδεχομένως να διαφέρει ανάλογα με τον τύπο ή το πάχος του τεμαχίου εργασίας. Γενικά, οι υψηλότερες ταχύτητες σας επιτρέπουν να κόβετε τεμάχια εργασίας πιο γρήγορα, αλλά μειώνεται η διάρκεια ζωής της λάμας.

Τεμάχιο που πρόκειται να κοπεί	Αριθμηση στον επιλογέα ρύθμισης
Ξύλο	4 - 6
Χαλυβδοσίδηρος	3 - 6
Ανοξείδωτο ατσάλι	3 - 4
Αλουμίνιο	3 - 6
Πλαστικά	1 - 4

013925

ΠΡΟΣΟΧΗ:

- Ο επιλογέας ρύθμισης ταχύτητας έχει τη δυνατότητα ρύθμισης έως το 6 και ξανά πίσω στο 1. Μην τον εξαναγκάζετε πέρα από το 6 ή το 1, αλλιώς μπορεί να μη λειτουργήσει πλέον η ρύθμιση ταχύτητας.

ΣΗΜΕΙΩΣΗ:

- Όταν ο επιλογέας ρύθμισης ταχύτητας βρίσκεται στο 3 ή υψηλότερα, το εργαλείο μειώνει αυτόματα την ταχύτητα χωρίς φορτίο για τη μείωση των κραδασμών όταν δεν υπάρχει φορτίο. Όταν η συσκευή αποκτάει φορτίο, ο αριθμός των στροφών του εργαλείου φτάνει στην προκαθορισμένη ταχύτητα. Στη συνέχεια, το εργαλείο διατηρεί την ταχύτητα, έως ότου να απενεργοποιηθεί. Όταν η θερμοκρασία είναι χαμηλή και είναι μειωμένη η ρευστότητα του γράσου, το εργαλείο μπορεί να μην διαθέτει αυτή τη λειτουργία ακόμη και αν περιστρέφεται το μοτέρ.

ΣΥΝΑΡΜΟΛΟΓΗΣΗ

ΠΡΟΣΟΧΗ:

- Να βεβαιώνετε πάντοτε ότι έχετε σβήσει το εργαλείο και έχετε βγάλει την κασέτα μπαταρίας πριν εκτελέσετε οποιαδήποτε εργασία σε αυτό.

Τοποθέτηση ή αφαίρεση της πριονωτής λάμας

ΠΡΟΣΟΧΗ:

- Να καθαρίζετε πάντοτε όλα τα θραύσματα και τα ξένα σώματα που έχουν προσκολληθεί στη λάμα ή/και στο σφιγκτήρα της λάμας. Αν δεν το κάνετε αυτό, μπορεί να

μην είναι αρκετά σφιγμένη η λάμα και να προκληθεί σοβαρός τραυματισμός.

- Μην αγγίζετε την λάμα ή το τεμάχιο εργασίας αμέσως μετά τη λειτουργία του εργαλείου. Μπορεί να είναι εξαιρετικά θερμά και να προκληθεί έγκαυμα στο δέρμα σας.
- Σφίξτε καλά την πριονωτή λάμα. Αν δεν το κάνετε αυτό, μπορεί να προκληθεί σοβαρός τραυματισμός.
- Όταν βγάζετε την πριονωτή λάμα, προσέχετε να μην τραυματίσετε τα δάκτυλα σας με την άκρη της λάμας ή τις μύτες του τεμαχίου εργασίας. (Εικ. 6)

Πριν από την εγκατάσταση της λάμας, βεβαιωθείτε ότι ο σφικτήρας της λάμας βρίσκεται στην ελεύθερη θέση. Για να εγκαταστήσετε τη λάμα, εισαγάγετε τη λάμα (η οδόντωση να βλέπει προς τα εμπρός) μέσα στο σφιγκτήρα της λάμας μέχρι να ασφαλίσει. Το στήριγμα της λάμας κινείται προς τη σταθερή θέση από μόνο του και η λάμα ασφαλίσει. Τραβήξτε ελαφρώς την λάμα για να βεβαιωθείτε ότι η λάμα δεν θα βγει έξω κατά τη λειτουργία.

ΠΡΟΣΟΧΗ:

- Μην ανοίξετε υπερβολικά τη συσκευή ανοίγματος διαφορετικά μπορεί να προκαλέσει φθορά του εργαλείου. (Εικ. 7)

Για να αφαιρέσετε τη λάμα, σπρώξτε τη συσκευή ανοίγματος προς τα εμπρός όσο μπορεί να πάει. Αυτό επιτρέπει την ελευθέρωση της λάμας.

ΣΗΜΕΙΩΣΗ:

- Περιστασιακά λιπάνετε τον κύλινδρο.

Αποθήκευση εξαγωνικού κλειδιού (Εικ. 8)

Όταν δεν χρησιμοποιείται το εξαγωνικό κλειδί, αποθηκεύστε το, όπως απεικονίζεται στην εικόνα για να μην το χάσετε.

Πλάκα κάλυψης (Εικ. 9)

Χρησιμοποιήστε την πλάκα κάλυψης κατά την κοπή διακοσμητικών επικαλύψεων, πλαστικών, κλπ. Προστατεύει τις ευαίσθητες ή λεπτές επιφάνειες από φθορά. Τοποθετήστε την στο πίσω μέρος της βάσης του εργαλείου.

Συσκευή έναντι θραυσμάτων (Εικ. 10)

Μπορεί να χρησιμοποιηθεί η συσκευή έναντι των θραυσμάτων για να γίνουν κοπές χωρίς θραύσματα. Για να εγκαταστήσετε τη συσκευή έναντι των θραυσμάτων, μετακινήστε τη βάση του εργαλείου μέχρι το τέρμα προς τα εμπρός και τοποθετήστε τη συσκευή από το πίσω μέρος της βάσης του εργαλείου. Όταν χρησιμοποιείτε την πλάκα κάλυψης, εγκαταστήστε τη συσκευή έναντι θραυσμάτων πάνω στην πλάκα κάλυψης.

ΠΡΟΣΟΧΗ:

- Η συσκευή έναντι των θραυσμάτων δεν μπορεί να χρησιμοποιηθεί όταν γίνονται λοξοτομές.

Αποβολή σκόνης

Συνιστάτε η χρήση του στομίου σκόνης (προαιρετικό αξεσουάρ) για καθαρές εργασίες κοπής. (Εικ. 11)

Για να προσαρτήσετε το στόμιο σκόνης στο εργαλείο, εισαγάγετε το άγκιστρο του στομίου σκόνης μέσα στην οπή της βάσης. (Εικ. 12)

Για να ασφαλίσετε το στόμιο σκόνης, σφίξτε τη βίδα σύσφιξης στο εμπρόσθιο μέρος του στομίου σκόνης.

Το στόμιο σκόνης μπορεί να τοποθετηθεί είτε στην αριστερή είτε στη δεξιά πλευρά της βάσης. **(Εικ. 13)**
Μετά συνδέστε την απορροφητική σκούπα της Makita στο στόμιο σκόνης.

ΛΕΙΤΟΥΡΓΙΑ

⚠ ΠΡΟΣΟΧΗ:

- Πάντοτε να διατηρείτε τη βάση επαφόμενη με το τεμάχιο εργασίας. Αν δεν το κάνετε αυτό, μπορεί να σπασεί η λάμα και να προκληθεί σοβαρός τραυματισμός.

ΣΗΜΕΙΩΣΗ:

- Αν το εργαλείο λειτουργεί συνεχόμενα έως ότου αποφορτιστεί η μπαταρία, αφήστε το εργαλείο σβηστό για 15 λεπτά πριν συνεχίσετε την εργασία με καινούργια μπαταρία. **(Εικ. 14)**

Ενεργοποιήστε το εργαλείο χωρίς η λάμα να έρχεται σε επαφή με οτιδήποτε και περιμένετε έως ότου η λάμα φτάσει στην πλήρη ταχύτητά της. Στη συνέχεια τοποθετήστε τη βάση επίπεδα πάνω στο τεμάχιο εργασίας και μετακινήστε με προσοχή το εργαλείο προς τα εμπρός κατά μήκος μιας προηγούμενα χαραγμένης γραμμής κοπής. Κατά την κοπή καμπτύλων, προωθήστε το εργαλείο πολύ αργά.

Λοξοτομή (Εικ. 15)

⚠ ΠΡΟΣΟΧΗ:

- Να βεβαιώνετε πάντοτε ότι έχετε σβήσει το εργαλείο και έχετε βγάλει την κασέτα μπαταρίας πριν την κλίση της βάσης.

Με τη βάση υπό κλίση, μπορείτε να κάνετε λοξοτομές με οποιαδήποτε γωνία μεταξύ 0° και 45° (αριστερά ή δεξιά). **(Εικ. 16)**

Για να δώσετε κλίση στη βάση, ξεσφίξτε το μπουλόνι στο πίσω μέρος της βάσης με το εξαγωνικό κλειδί.

Μετακινήστε τη βάση ώστε το μπουλόνι να βρίσκεται στο κέντρο της λοξής σχισμής στη βάση. **(Εικ. 17)**

Δώστε κλίση στη βάση έως ότου αποκτηθεί η επιθυμητή γωνία κλίσης. Η εγκοπή V της θήκης γραναζιών δείχνει τη γωνία κλίσης με διαβαθμίσεις. Στη συνέχεια σφίξτε το μπουλόνι για να ασφαλίσετε τη βάση.

Μπροστινά επίπεδα κοψίματα (Εικ. 18)

Ξεσφίξτε το μπουλόνι στο πίσω μέρος της βάσης με το εξαγωνικό κλειδί και στρώξτε τη βάση τελείως προς τα πίσω. Στη συνέχεια σφίξτε το μπουλόνι για να ασφαλίσετε τη βάση.

Αποκόμματα

Τα αποκόμματα μπορούν να γίνουν με μια από τις δύο μεθόδους Α ή Β.

Α) Άνοιγμα μιας οπής έναρξης: (Εικ. 19)

- Για εσωτερικά αποκόμματα χωρίς μια αρχική τομή από μια άκρη, ανοίξτε προκαταρκτικά μια οπή έναρξης διαμέτρου 12 mm ή περισσότερο. Εισάγετε την λεπίδα μέσα σε αυτή την τρύπα για να ξεκινήσετε την κοπή.

Β) Τόρνευση: (Εικ. 20)

- Δεν χρειάζεται να ανοίξετε μια οπή έναρξη ή να κάνετε μια αρχική κοπή εάν κάνετε με προσοχή τα παρακάτω.

1. Δώστε στο εργαλείο μια κλίση προς τα πάνω στο μπροστινό άκρο της βάσης με το σημείο της λάμας να είναι τοποθετημένο λίγο πάνω από την επιφάνεια του τεμαχίου εργασίας.
2. Εφαρμόστε πίεση στο εργαλείο έτσι ώστε το μπροστινό άκρο της βάσης να μην μετακινείται όταν ενεργοποιήσετε το εργαλείο και χαμηλώστε αργά με προσοχή το πίσω άκρο του εργαλείου.
3. Καθώς η λάμα διαπερνά το τεμάχιο εργασίας, χαμηλώστε αργά την βάση του εργαλείου προς τα κάτω, πάνω στην επιφάνεια του τεμαχίου εργασίας.
4. Ολοκληρώστε την τομή με τον κανονικό τρόπο.

Τελειώματα άκρων (Εικ. 21)

Για το κόψιμο των άκρων ή για να προσαρμόσετε στις διαστάσεις, προωθήστε τη λάμα ελαφρά κατά μήκος των άκρων που έγινε η τομή.

Κοπή μετάλλου

Όταν κόβετε μέταλλο, να χρησιμοποιείτε πάντοτε κατάλληλο ψυκτικό υγρό (λάδι κοπής). Αν δεν το κάνετε αυτό, θα προκληθεί πρόωρη φθορά της λεπίδας. Αντί της χρήσης του ψυκτικού μπορεί να γρασαριστεί το κάτω μέρος του τεμαχίου εργασίας.

Τοποθέτηση οδηγού κοπής (προαιρετικό αξεσουάρ)

⚠ ΠΡΟΣΟΧΗ:

- Να βεβαιώνετε πάντοτε ότι έχετε σβήσει το εργαλείο και έχετε βγάλει την κασέτα μπαταρίας πριν την τοποθέτηση ή την αφαίρεση των αξεσουάρ.

1. Ευθεία κοψίματα (Εικ. 22)

Όταν εκτελείτε κοψίματα πλάτους 160 mm ή λιγότερο, η χρήση του οδηγού κοπής θα εξασφαλίσει γρήγορα, καθαρά, ευθεία κοψίματα. **(Εικ. 23)**

Για την εγκατάσταση, εισάγετε τον οδηγό κοπής μέσα στην ορθογώνια τρύπα στο πλάι της βάσης εργαλείου με τον κανόνα οδήγησης στραμμένο προς τα κάτω. Σύρετε τον οδηγό κοπής στη θέση του επιθυμητού πλάτους κοπής, στη συνέχεια, σφίξτε το μπουλόνι για να το ασφαλίσετε.

2. Κυκλικές τομές (Εικ. 24 και 25)

Όταν κόβετε κύκλους ή τόξα με ακτίνα 170 mm ή λιγότερο, εγκαταστήστε τον οδηγό κοπής ως εξής.

1. Εισάγετε τον οδηγό κοπής μέσα στην ορθογώνια τρύπα στο πλάι της βάσης με τον κανόνα οδήγησης στραμμένο προς τα πάνω. Εισάγετε τον κυκλικό οδηγητικό πείρο στη μια από τις δυο τρύπες του κανόνα οδήγησης. Βιδώστε το κομβίο με σπείρωμα πάνω στον πείρο για να ασφαλίσετε τον πείρο.
2. Τώρα, σύρετε τον οδηγό κοπής στη θέση της επιθυμητής ακτίνας κοπής και σφίξτε το μπουλόνι για να το ασφαλίσετε στη θέση του. Στη συνέχεια, μετακινήστε τη βάση προς τα εμπρός.

ΣΗΜΕΙΩΣΗ:

- Πάντα να χρησιμοποιείτε τις λάμες Αρ. B-17, B-18, B-26 ή B-27 όταν κόβετε κύκλους ή τόξα.

Σετ προσαρμογέα οδηγητικής ράγας (προαιρετικό αξεσουάρ) (Εικ. 26)

Κατά την κοπή παράλληλων και ομοιόμορφων πλατών ή ευθειών κοπών, η χρήση της οδηγητικής ράγας και του προσαρμογέα της οδηγητικής ράγας θα εξασφαλίσει την δημιουργία γρήγορων και καθαρών κοπών.

Για την τοποθέτηση του προσαρμογέα της οδηγητικής ράγας, τοποθετήστε τη ράβδο χάρακα μέσα στην τετράγωνη τρύπα της βάσης όσο μακριά μπορεί να πάει. Ασφαλίστε καλά το μπουλόνι με το εξαγωνικό κλειδί.

(Εικ. 27)

Εγκαταστήστε τον προσαρμογέα της οδηγητικής ράγας πάνω στη ράγα της οδηγητικής ράγας. Εισάγετε τη ράβδο χάρακα μέσα στην τετράγωνη τρύπα στο προσαρμογέα της οδηγητικής ράγας. Τοποθετήστε τη βάση στην πλευρά της οδηγητικής ράγας και ασφαλίστε καλά το μπουλόνι.

(Εικ. 28)

ΠΡΟΣΟΧΗ:

- Πάντα να χρησιμοποιείτε τις λάμες Αρ. Β-8, Β-13, Β-16, Β-17 ή 58 όταν χρησιμοποιείτε την οδηγητική ράγα και τον προσαρμογέα της οδηγητικής ράγας.

ΣΥΝΤΗΡΗΣΗ

ΠΡΟΣΟΧΗ:

- Να βεβαιώνετε πάντοτε ότι έχετε σβήσει το εργαλείο και έχετε βγάλει την κασέτα μπαταρίας πριν εκτελέσετε οποιαδήποτε εργασία ελέγχου ή συντήρησης σε αυτό.
- Μην χρησιμοποιήσετε βενζίνη, βενζόλη, διαλυτικό, αλκοόλη ή κάτι παρόμοιο. Μπορεί να προκληθεί αποχρωματισμός, παραμόρφωση ή ρωγμές.

Για να διατηρείται η ΑΣΦΑΛΕΙΑ και η ΑΞΙΟΠΙΣΤΙΑ του προϊόντος, οι εργασίες επισκευής, καθώς και οποιαδήποτε άλλη εργασία συντήρησης ή ρύθμισης, θα πρέπει να εκτελούνται σε εξουσιοδοτημένα κέντρα εξυπηρέτησης της Makita και πάντοτε με τη χρήση ανταλλακτικών της Makita.

ΠΡΟΑΙΡΕΤΙΚΑ ΑΞΕΣΟΥΑΡ

ΠΡΟΣΟΧΗ:

- Συνιστάται η χρήση αυτών των αξεσουάρ ή εξαρτημάτων με το εργαλείο της Makita, όπως περιγράφεται στο παρόν εγχειρίδιο. Αν χρησιμοποιήσετε άλλα αξεσουάρ ή εξαρτήματα μπορεί να παρουσιαστεί κίνδυνος για πρόκληση τραυματισμού προσώπων. Να χρησιμοποιείτε τα αξεσουάρ και τα εξαρτήματα μόνο για το σκοπό για τον οποίο προορίζονται.

Αν χρειάζεστε κάποια βοήθεια ή περισσότερες πληροφορίες σχετικά με τα αξεσουάρ αυτά, απευθυνθείτε στο πλησιέστερο κέντρο εξυπηρέτησης της Makita.

- Λάμες σέγας
- Εξαγωνικό κλειδί 4
- Σετ οδηγού κοπής (Οδηγός χάρακας)
- Σετ προσαρμογέα οδηγητικής ράγας
- Σετ οδηγητικής ράγας
- Συσκευή έναντι θραυσμάτων
- Πλάκα κάλυψης
- Συγκρότημα στομίου σκόνης
- Αυθεντική μπαταρία και φορτιστής της Makita

ΣΗΜΕΙΩΣΗ:

- Ορισμένα από τα στοιχεία της λίστα μπορεί να περιέχονται στην συσκευασία του εργαλείου ως κανονικά αξεσουάρ. Αυτά ενδέχεται να διαφέρουν από χώρα σε χώρα.

Θόρυβος

ENG905-1

Το συνήθετο Α-σταθμισμένο επίπεδο θορύβου που έχει καθοριστεί σύμφωνα με την EN60745:

Μοντέλο DJV142

Επίπεδο ηχητικής πίεσης (L_{pA}): 78 dB (A)

Αβεβαιότητα (K): 3 dB (A)

Το επίπεδο θορύβου σε λειτουργία ενδέχεται να υπερβεί τα 80 dB (A).

Μοντέλο DJV182

Επίπεδο ηχητικής πίεσης (L_{pA}): 77 dB (A)

Αβεβαιότητα (K): 3 dB (A)

Το επίπεδο θορύβου σε λειτουργία ενδέχεται να υπερβεί τα 80 dB (A).

Να φοράτε ωτοασπίδες.

Δόνηση

ENG900-1

Η συνολική τιμή δόνησης (διανυσματικό άθροισμα τριών αξόνων) που έχει καθοριστεί σύμφωνα με την EN60745:

Μοντέλο DJV142

Τρόπος λειτουργίας: κοπή σανίδων

Εκπομπή δόνησης ($a_{h,B}$): 7,0 m/s²

Αβεβαιότητα (K): 1,5 m/s²

Τρόπος λειτουργίας: κοπή μεταλλικού ελάσματος

Εκπομπή δόνησης ($a_{h,M}$): 4,0 m/s²

Αβεβαιότητα (K): 1,5 m/s²

Μοντέλο DJV182

Τρόπος λειτουργίας: κοπή σανίδων

Εκπομπή δόνησης ($a_{h,B}$): 7,0 m/s²

Αβεβαιότητα (K): 1,5 m/s²

Τρόπος λειτουργίας: κοπή μεταλλικού ελάσματος

Εκπομπή δόνησης ($a_{h,M}$): 3,5 m/s²

Αβεβαιότητα (K): 1,5 m/s²

ENG901-1

- Η δηλωθείσα τιμή των παραγομένων κραδασμών έχει καταμετρηθεί σύμφωνα με την τυποποιημένη μέθοδο δοκιμασίας και μπορεί να χρησιμοποιηθεί για την σύγκριση ενός εργαλείου με ένα άλλο.
- Η δηλωθείσα τιμή των παραγομένων κραδασμών μπορεί επίσης να χρησιμοποιηθεί για μια προκαταρκτική αξιολόγηση της έκθεσης στους κραδασμούς.

ΠΡΟΕΙΔΟΠΟΙΗΣΗ:

- Η εκπομπή κραδασμών κατά τη διάρκεια της πραγματικής χρήσης του ηλεκτρικού εργαλείου μπορεί να διαφέρει από τη δηλωθείσα τιμή των εκπομπών, ανάλογα με τον τρόπο με τον οποίο χρησιμοποιείται το εργαλείο.
- Φροντίστε να λάβετε τα μέτρα ασφαλείας που απαιτούνται για την προστασία του χρήστη που βασίζονται σε μια εκτίμηση της έκθεσης σε πραγματικές συνθήκες χρήσης (λαμβάνοντας υπόψη όλα τα μέρη του κύκλου λειτουργίας, όπως είναι οι περιπτώσεις κατά τις οποίες το εργαλείο είναι απενεργοποιημένο και

όταν λειτουργεί στο ρελαντί επιπροσθέτως του χρόνου κατά τον οποίο το εργαλείο βρίσκεται σε χρήση).

Για τις ευρωπαϊκές χώρες μόνο ENH101-17

EK – Δήλωση συμμόρφωσης

Η Makita δηλώνει ότι το παρακάτω μηχάνημα(τα):

Ονομασία μηχανήματος:

Σέγα μπαταρίας

Αρ. Μοντέλου/Τύπος: DJV142, DJV182

Συμμορφώνονται με τις ακόλουθες Ευρωπαϊκές

Οδηγίες:

2006/42/EK

Κατασκευάζονται σύμφωνα με το παρακάτω πρότυπο ή τυποποιημένα έγγραφα:

EN60745

Το τεχνικό αρχείο σύμφωνα με την 2006/42/EK είναι διαθέσιμο από:

Makita, Jan-Baptist Vinkstraat 2, 3070, Belgium

31. 12. 2013



Yasushi Fukaya

Διευθυντής

Makita, Jan-Baptist Vinkstraat 2, 3070, Belgium

TÜRKÇE (Orijinal talimatlar)

Genel görünüm

1. Kırmızı gösterge
2. Düğme
3. Akü
4. Yıldız işareti
5. Kesim modu değiştirme mandalı
6. Kilit düğmesi
7. Açma/kapama düğmesi
8. Kilitleme düğmesi
9. Hız ayar düğmesi
10. Sabit konum
11. Açık konum
12. Dekupaj testere bıçağı
13. Taban
14. Alyan anahtarı
15. Kapak plakası
16. Parçalanma önleyici parça
17. Toz nozülü
18. Mengene vidası
19. Elektrikli süpürge hortumu
20. Kesim çizgisi
21. Cıvata
22. Eğim yuvası
23. Kademeler
24. V girişi
25. Dişli muhafazası
26. Başlangıç deliği
27. Kılavuz mesnedi
28. Mesnet kılavuzu
29. Dişli topuz
30. Dairesel kılavuz pimi
31. Ölçek çubuğu
32. Kılavuz ray adaptörü
33. Vida
34. Kılavuz rayı

ÖZELLİKLER

Model		DJV142	DJV182
Vuruş uzunluğu		26 mm	26 mm
Maks. kesim kapasiteleri	Ahşap	135 mm	135 mm
	Yumuşak çelik	10 mm	10 mm
	Alüminyum	20 mm	20 mm
Dakikada vuruş sayısı (dak ⁻¹)		800 - 3.500	800 - 3.500
Toplam uzunluk		264 mm	266 mm
Net ağırlık		2,5 kg	2,6 kg
Anma gerilimi		D.C. 14,4 V	D.C. 18 V

- Sürekli yapılan araştırma ve geliştirmelerden dolayı, burada belirtilen özellikler önceden bildirilmeksizin değiştirilebilir.
- Özellikler ve akü ülkeye göre farklılıklar gösterebilir.
- EPTA Prosedürü 01/2003 uyarınca ağırlık (akü dahil)

Kullanım amacı

ENE019-1

Makine ahşap, plastik ve metal malzemelerin kesilmesi için tasarlanmıştır. Yürütülen kapsamlı aksesuar ve testere bıçağı programı neticesinde makine çok farklı amaçlar için kullanılabilir ve eğimli ve dairesel kesimlere oldukça uygundur.

Genel Elektrikli Aletler Güvenlik Uyarıları

GEA010-1

⚠ UYARI Tüm güvenlik uyarılarını ve tüm talimatları okuyun. Verilen uyarılara ve talimatlara uyulmaması elektrik çarpmasına, yangına ve/veya ciddi yaralanmalara yol açabilir.

Tüm uyarıları ve talimatları ilerde başvurmak üzere saklayın.

AKÜLÜ DEKUPAJ TESTEREYLE İLGİLİ GÜVENLİK UYARILARI

GEB045-2

1. Kesici parçanın, gömülü elektrik kablolarına temas edebileceği uygulamalarda makineyi yalıtılmış saptarıdan tutun. Kesici parçanın elektrik akımı bulunan kablolarla temas etmesi halinde akım, iletken metal parçalar üzerinden operatöre iletilerek, elektrik çarpmasına yol açabilir.
2. İşparçasını sabit bir platform üzerine sabitlemek ve desteklemek için mengene veya benzeri bir alet kullanın. İşparçasının elle tutulması veya vücuda dayanması işparçasının sabit tutulmamasına ve kontrolün kaybedilmesine neden olabilir.
3. Her zaman koruyucu gözlük kullanın. Normal gözlük veya güneş gözlüğü koruyucu gözlük DEĞİLDİR.
4. Çivileri kesmekten kaçının. Çalışmaya başlamadan önce işparçası üzerinde çivi olup olmadığını kontrol edin, varsa çıkartın.
5. Çok büyük işparçalarını kesmeyin.
6. Kesim işlemine başlamadan önce işparçasının arkasında bıçağın zemine, tezgaha vs. çarpmasını önleyecek, uygun açıklığın bulunup bulunmadığını kontrol edin.
7. Makineyi sıkıca kavrayın.
8. Bıçağın makine çalıştırılmadan önce işparçasıyla temas etmemesine dikkat edin.
9. Ellerinizi hareketli parçalardan uzak tutun.
10. Makineyi çalışır durumda bırakıp uzaklaşmayın. Makineyi yalnızca sıkıca kavarken çalıştırın.
11. Bıçağı işparçasından çekmeden önce makineyi kapatın ve bıçak tamamen durana kadar bekleyin.
12. Aşırı sıcak olabileceğinden, çalışmanız biter bitmez bıçağa veya işparçasına dokunmayın, aksi takdirde yanıklar meydana gelebilir.
13. Makineyi gereksiz yere yüksüz çalıştırmayın.
14. Bazı malzemeler zehirli olabilecek kimyasal maddeler içerebilir. Tozu solumamaya dikkat edin

- ve cilt temasından kaçının. Malzeme üreticisinin güvenlik uyarılarını dikkate alın.
15. Her zaman çalıştığınız malzemeye ve uygulamaya uygun toz/gaz maskesi kullanın.

BU TALİMATLARI SAKLAYIN.

⚠ UYARI:

Ürünü kullanırken defalarca kullanmanın getirdiği rahatlık ve tanıdıklık duygusunun, güvenlik kurallarına sıkı sıkıya bağlı kalmanızı önlemesine İZİN VERMEYİN. YANLIŞ KULLANIM veya bu kullanım kılavuzunda belirtilen güvenlik kurallarına uyulmaması ciddi yaralanmalara neden olabilir.

ÖNEMLİ GÜVENLİK TALİMATLARI

ENC007-8

AKÜ İÇİN

1. Aküyü kullanmaya başlamadan önce (1) akü şarj cihazı, (2) akü ve (3) akünün takıldığı ürüne ilişkin tüm talimatları ve uyarıları okuyun.
2. Aküyü sökmeye çalışmayın.
3. Çalışma süresinde önemli bir kısıalma gözlerseniz, hemen çalışmayı bırakın. Bu durum aşırı ısınmaya, yangına ve hatta patlamaya yol açabilir.
4. Elektrolit (akü sıvısı) gözlerinize temas ederse, bol temiz suyla yıkayın ve derhal bir doktora başvurun. Elektrolit körlüğe neden olabilir.
5. Akünün kısa devre yapmasını önleyin:
 - (1) Herhangi bir iletken nesne ile akü uçlarına dokunmayın.
 - (2) Aküyü çivi, madeni para vb. metal nesnelere bulunduğu bir yerde saklamayın.
 - (3) Aküyü suya veya yağmura maruz bırakmayın. Aküde oluşan kısa devre büyük bir elektrik akımına, aşırı ısınmaya, yangına ve aletin bozulmasına yol açabilir.
6. Aleti ve aküyü 50°C (122°F) sıcaklığa ulaşabilecek veya bu değeri aşabilecek ortamlarda saklamayın.
7. Önemli ölçüde hasar görmüş veya tümüyle tükenmiş olsa da aküyü kesinlikle yakarak imha etmeye çalışmayın. Akü ateşe atıldığında patlayabilir.
8. Akünün düşmemesine ve darbe almamasına dikkat edin.
9. Hasarlı bir aküyü kesinlikle kullanmayın.
10. Akünün atılması sırasında ilgili yönetmeliklere uyun.

BU TALİMATLARI SAKLAYIN.

Akünün öngörülen maksimum ömrü dolana kadar kullanılması için öneriler

1. Aküyü tamamen boşalmasını beklemeden şarj edin. Aletin çalışma gücünde bir azalma gördüğünüzde, mutlaka çalışmayı bırakıp, aküyü şarj edin.
2. Tam olarak şarj edilmiş bir aküyü tekrar şarj etmeyin. Akünün normalden fazla şarj edilmesi ömrünü kısaltır.

3. Aküyü 10°C - 40°C (50°F - 104°F) değerlerini aşmayan oda sıcaklığında şarj edin. Akü ısınmışsa, şarj etmeden önce soğumasını bekleyin.
4. Makineyi uzun bir süre kullanmayacaksınız bile, aküsünü her altı ayda bir şarj edin.

KULLANIMA İLİŞKİN TANIMLAR

⚠ DİKKAT:

- Makine üzerinde ayar veya başka bir kontrol işlemi gerçekleştirmeden önce makinenin kapalı ve aküsünün çıkartılmış olduğundan emin olun.

Akünün takılması ve çıkartılması (Şekil 1)

⚠ DİKKAT:

- Aküyü takmadan ve çıkarmadan önce mutlaka makineyi kapalı konuma getirin.
- Aküyü takarken ve çıkartırken makineyi ve aküyü sıkıca tutun. Aksi takdirde, makine ve akü elinizden kayarak düşebilir ve neticesinde makine ve akü hasarları ve yaralanmalar meydana gelebilir. Aküyü çıkarmak için akünün ön tarafında bulunan düğmeye bastırın ve aküyü çekerek makineden çıkartın. Aküyü takmak için aküdeki dili makine gövdesindeki girintiyle aynı hizaya getirin ve aküyü iterek yerine oturmasını sağlayın. Akünün tam yerine oturduğunu klik sesinden anlayabilirsiniz. Düğmenin üst tarafında bulunan kırmızı göstergelyi görüyorsanız, akü tam olarak kilitlenmemiştir.

⚠ DİKKAT:

- Kırmızı gösterge tamamen kayboluncaya kadar aküyü itin. Aksi takdirde, akü makineden kayıp düşebilir ve operatörün veya çevredeki kişilerin yaralanmasına neden olabilir.
- Aküyü zorlayarak takmaya çalışmayın. Akünün makineye rahatça takılamaması, yanlış takıldığıını gösterir.

Akü koruma sistemi (Yıldız işaretli lityum akülerde) (Şekil 2)

Yıldız işaretli lityum akülerde koruma sistemi mevcuttur. Bu sistem, akü ömrünü uzatmak için makineye beslenen güçü otomatik olarak keser. Makine ve/veya akü için aşağıda sıralanan durumlardan birinin geçerli olması halinde, çalışmayı otomatik olarak durdurur:

- Aşırı yüklenme: Makine anormal yüksek akım çekecek şekilde çalışır. Böyle bir durumda, makine üzerindeki açma/kapama düğmesinden elinizi çekin ve makinenin aşırı yüklenmesine neden olan uygulamayı durdurun. Ardından, yeniden başlatmak için açma/kapama düğmesine tekrar basın. Makine çalışmıyorsa, akü aşırı ısınmıştır. Böyle bir durumda, açma/kapama düğmesine tekrar basmadan önce akünün soğumasını bekleyin.
- Düşük akü gerilimi: Kalan akü kapasitesi çok düşüktür ve makine çalışmıyordur. Böyle bir durumda, aküyü çıkartın ve şarj edin.

Kesim işleminin seçimi (Şekil 3)

Bu makine, orbital veya düz çizgi (yukarı ve aşağı) kesim modunda çalıştırılabilir. Orbital kesim modu, kesim vuruşunda bıçağı ileri doğru ittirir ve kesim hızını büyük ölçüde artırır.

Kesim modunu değiştirmek için sadece kesim modu değiştirme mandalını istediğiniz kesim modu konumuna getirmanız yeterlidir. Uygun kesim modunu seçmek için tabloya bakın.

Konum	Kesim modu	Uygulamalar
0	Düz çizgi kesim modu	Yumuşak çeliği, paslanmaz çeliği ve plastiği kesmek için. Ahşapta ve kontrplakta temiz kesimler elde etmek için.
I	Küçük orbital kesim modu	Yumuşak çeliği, alüminyum ve sert ahşabı kesmek için.
II	Orta orbital kesim modu	Ahşabı ve kontrplağı kesmek için. Alüminyum ve yumuşak çeliği hızlı şekilde kesmek için.
III	Büyük orbital kesim modu	Ahşabı ve kontrplağı hızlı şekilde kesmek için.

006376

Açma/kapatma işlemi

⚠ DİKKAT:

- Aküyü makineye takmadan önce, açma/kapama düğmesinin kusursuz çalıştığını ve açma/kapama düğmesi bırakıldığında makinenin "KAPALI" konuma döndüğünü kontrol edin. (Şekil 4)

Makineyi çalıştırmak için:

Makineyi bekleme moduna getirmek için kilit düğmesine basın. Lamba yanmaya başlayacaktır.

Makineyi çalıştırmak için açma/kapama düğmesine basın. Makineyi durdurmak için açma/kapama düğmesini serbest bırakın.

Makinenin sürekliliği için açma/kapama düğmesine ve ardından kilitleme düğmesine basın. Makineyi kilitleti konumdayken kapatmak için, açma/kapama düğmesine sonuna kadar bastıktan sonra parmağınızı çekin.

Bekleme modunda, lambayı kapatmak ve makineyi kilitleti moda almak için kilit düğmesine basın.

NOT:

- Kilit düğmesi, kesme işlemi sırasında çalışmaz.
- Makine bekleme modundayken lamba yanmaya devam eder.
- Makine, 10 saniye boyunca hiçbir işlem yapılmadan bekleme modunda bırakılırsa, makine otomatik olarak kilitleti moda geçer ve lamba söner.

Lambaların yakılması

⚠ DİKKAT:

- Doğrudan lambaya veya ışık kaynağına bakmayın. Lambayı yakmak için, kilit düğmesine basın. 10 saniye içerisinde lambayı söndürmek için, kilit düğmesine tekrar basın.

NOT:

- Lambanın lensindeki kiri silmek için kuru bir bez kullanın. Lensin çizilmemesine dikkat edin, aksi takdirde lambanın aydınlatma gücü azalır.
- Makine aşırı yüklenirse, lambadan çıkan ışık titremeye başlar. Tekrar çalıştırmadan önce makinenin tamamen soğumasını bekleyin.

Hız ayar düğmesi (Şekil 5)

Makine hızı, hız ayar düğmesi döndürülerek sonsuz kademede ayarlanabilir. En yüksek hız 6 konumunda ve en düşük hız 1 konumunda elde edilir. Kesilecek işparçası için uygun hızı seçmek için tabloya bakın. Ancak, uygun hız, işparçasının tipine ve kalınlığına bağlı olarak değişebilir. Genel olarak, yüksek hızlar işparçalarını daha hızlı kesmenize izin verir, ancak bu durumda bıçağın kullanım ömrü kısaldır.

Kesilecek işparçası	Ayar düğmesi üzerindeki rakam
Ahşap	4 - 6
Yumuşak çelik	3 - 6
Paslanmaz çelik	3 - 4
Alüminyum	3 - 6
Plastik	1 - 4

013925

⚠ DİKKAT:

- Hız ayar düğmesi, 6 konumuna kadar yükseltilebilir ve geri 1 konumuna düşürülebilir. Düğmeyi 6 konumunun üzerine ve 1 konumunun altına zorlamayın, aksi takdirde hız ayar işlevi doğru çalışmayabilir.

NOT:

- Hız ayar düğmesi 3 konumunda veya daha yüksek bir konumdayken, makine yüksüz titreşimi düşürmek üzere otomatik olarak yüksüz hızı düşürür. Makine yükü aldıktan sonra ayarlanan hıza ulaşır. Ardından, makine kapatılana kadar bu hızı korur. Sıcaklık ve gres akışkanlığı düşük olduğunda makine, motor dönerken dahi bu işlemlere sahip olmayabilir.

MONTAJ

⚠ DİKKAT:

- Makine üzerinde herhangi bir işlem yapmadan önce makinenin kapalı ve aküsünün çıkartılmış olduğundan emin olun.

Testere bıçağının takılması ve sökülmesi

⚠ DİKKAT:

- Bıçağı ve/veya bıçak yuvasına yapışan talaşı ve yabancı maddeleri mutlaka temizleyin. Aksi takdirde, bıçağın yeterli şekilde sıkılması engellenebilir ve ciddi yaralanmalar ortaya çıkabilir.
- Aşırı sıcak olabileceğinden, çalışmanız biter bitmez bıçağı veya işparçasına dokunmayın, aksi takdirde yanıklar meydana gelebilir.
- Testere bıçağını iyice sıkın. Aksi takdirde ciddi yaralanmalar meydana gelebilir.
- Testere bıçağını çıkartırken parmaklarınızın bıçağın üst kısmına veya işparçasının uçlarına temas edip, yaralanmamasına dikkat edin. (Şekil 6)

Bıçağı takmadan önce, bıçak yuvasının açık konumda olduğundan emin olun.

Bıçağı takmak için, bıçağı (dişleri öne bakacak şekilde) kilitlene kadar bıçak yuvasına bastırın. Bıçak yuvası kendi kendine sabit konuma gelir ve bıçak kilitletir. Bıçağın çalıştırma sırasında düşmeyeceğinden emin olmak için, bıçağı hafifçe çekmeye çalışın.

⚠ DİKKAT:

- Makine yuvasını gereğinden fazla açmayın, aksi takdirde makine zarar görebilir. (Şekil 7)

Bıçağı sökmek için, makine yuvasını gittiği yere kadar ileri doğru bastırın. Bu işlem, bıçağın çıkmasını sağlar.

NOT:

- Makarayı arada sırada yağlayın.

Alyan anahtarının saklanması (Şekil 8)

Alyan anahtarını kullanılmadığında, kaybolmaması için şekilde gösterildiği gibi saklanmalıdır.

Kapak plakası (Şekil 9)

Dekoratif kaplama tahtalarını, plastikleri vs. keserken kapak plakasını kullanın. Plaka hassas ve nazik yüzeylerin zarar görmesini engelleyecektir. Plakayı makine tabanının arka kısmına yerleştirin.

Parçalanma önleyici parça (Şekil 10)

Parçalanma olmaksızın kesim yapmak için parçalanma önleyici parça kullanılabilir. Parçalanma önleyici parçayı takmak için makine tabanını ileriye doğru, sonuna kadar ittirin ve parçayı makine tabanının arka kısmından takın. Kapak plakası kullanılarak parçalanma önleyici parçayı kapak plakasının üzerine yerleştirin.

⚠ DİKKAT:

- Parçalanma önleyici parça, eğimli kesim yapılırken kullanılamaz.

Toz giderimi

Temiz kesim işlemleri yürütülmesi için toz nozülü (opsiyonel aksesuar) kullanılması önerilir. (Şekil 11) Toz nozülünü makineye takmak için toz nozülünün kancasını tabandaki deliğe geçirin. (Şekil 12) Toz nozülünü sabitlemek için, toz nozülünün ön tarafındaki mengine vidasını sıkın. Toz nozülü tabanın sol ya da sağ tarafına takılabilir. (Şekil 13) Ardından, Makita elektrik süpürgesini toz nozülüne bağlayın.

ÇALIŞTIRMA

⚠ DİKKAT:

- Her zaman tabanı işparçası ile aynı hizada tutun. Aksi takdirde bıçak kırılarak, ciddi yaralanmalara neden olabilir.

NOT:

- Makine, akü bitene kadar sürekli olarak çalıştırılmışsa, dolu bir akü ile yeniden çalışmaya başlamadan önce 15 dakika kadar bekleyin. (Şekil 14)

Bıçağa hiçbir şekilde temas etmeden makineyi açık konuma getirin ve bıçak tam hıza ulaşana kadar bekleyin. Daha sonra tabanı işparçasına tam temas edecek şekilde

yerleştirin ve makineyi önceden işaretlenmiş kesim çizgisi boyunca yavaşça ilerletin.

Eğrileri keserken makineyi çok yavaş şekilde hareket ettirin.

Eğimli kesim (Şekil 15)

⚠ DİKKAT:

- Tabanı eğmeden önce mutlaka makinenin kapalı ve akünün çıkartılmış olduğundan emin olun.

Taban eğildikten sonra 0° ile 45° (sola ya da sağa) arasında istediğiniz açıda eğimli kesim yapabilirsiniz. (Şekil 16)

Tabanı eğmek için, tabanın arkasındaki civatayı Alyan anahtarlarıyla gevşetin. Tabanı, civatanın tabandaki eğim yuvasının merkezine oturmasını sağlayacak şekilde hareket ettirin. (Şekil 17)

Tabanı istenen eğim açısı elde edilene kadar eğin. Dışlı muhafazasındaki V girintiyi kademeli olarak eğim açısını gösterir. Ardından, tabanı sabitlemek üzere civatayı iyice sıkın.

Silme ön kesimler (Şekil 18)

Tabanın arka kısmında bulunan civatayı Alyan anahtarıyla gevşetin ve tabanı tamamen geriye doğru kaydırın. Ardından, tabanı sabitlemek üzere civatayı sıkın.

Kesip çıkarma işlemi

Kesip çıkarma işlemi A veya B yöntemlerinden biri ile yapılabilir.

A) Bir başlangıç deliğinin açılması: (Şekil 19)

- Kenarla herhangi bir bağlantısı olmayan dahili kesip çıkarma işlemleri için öncelikle 12 mm çapında ya da daha geniş bir başlangıç deliği açın. Kesim işlemine başlamak için bıçağı bu deliğe sokun.

B) Bağlantı noktası kesim işlemi: (Şekil 20)

- Aşağıdaki aşamaları dikkatli bir şekilde takip etmeniz halinde bir başlangıç deliği açmanız ya da kılavuz kesmenize gerek kalmaz.
- 1. Bıçağın ucunu iş parçası yüzeyinin hemen üzerine yerleştirerek makineyi tabanın ön kenarı üzerinde yukarı doğru eğin.
- 2. Makineyi çalıştırdığınızda tabanın ön kenarı hareket etmeyecek şekilde makineye basınç uygulayın ve daha sonra makinenin arka kenarını yavaşça alçaltın.
- 3. Bıçak işparçasını kestikçe makinenin tabanını işparçası yüzeyine doğru yavaş bir şekilde alçaltın.
- 4. Kesim işlemini standart şekilde tamamlayın.

Kenarların alınması (Şekil 21)

Kenarları kesmek veya boyut ayarlamaları yapmak için bıçağı kesilen kenar boyunca hafif şekilde ilerletin.

Metal kesim işlemi

Metal parçaları keserken daima uygun bir soğutucu (soğutucu yağı) kullanın. Aksi takdirde bıçak aşırı şekilde aşınabilir. Soğutucu kullanmak yerine işparçasının alt kısmı yağlanabilir.

Kılavuz mesnedi takımı (opsiyonel aksesuar)

⚠ DİKKAT:

- Aksesuarları takıp çıkarmadan önce mutlaka makinenin kapalı ve aküsünün çıkartılmış olduğundan emin olun.

1. Düz kesimler (Şekil 22)

Sürekli olarak 160 mm genişliğinde veya daha dar kesimler yapılması durumunda kılavuz mesnedinin kullanılması hızlı, temiz ve düz kesimlerin elde edilmesini garanti edecektir. (Şekil 23)

Kılavuz mesnedini takmak için kılavuz mesnedini, mesnet kılavuzu alta bakacak şekilde makine tabanının yan kısmında bulunan kare delik içerisinde yerleştirin. Mesnet kılavuzunu istenen kesim genişliği konumuna kaydırın ve daha sonra sabitlemek için civatayı sıkın.

2. Dairesel kesimler (Şekil 24 ve 25)

Çapı 170 mm ya da daha küçük olan daireler veya arklar keserken kılavuz mesnedini aşağıda açıklandığı şekilde takın.

- Kılavuz mesnedini, mesnet kılavuzu üste bakacak şekilde tabanın yan kısmında bulunan kare delik içerisine yerleştirin. Dairesel kılavuz pimini mesnet kılavuzu üzerindeki iki delikten birinden geçirin. Pimi sabitlemek için pim üzerindeki dişli topuzu döndürerek sıkıştırın.
- Daha sonra kılavuz mesnedini istenen kesim çapına kaydırın ve yerine sabitlemek için civatayı sıkın. Son olarak, tabanı sonuna kadar ileriye doğru ittirin.

NOT:

- Daire veya ark keserken mutlaka B-17, B-18, B-26 ya da B-27 numaralı bıçakları kullanın.

Kılavuz ray adaptörü takımı (opsiyonel aksesuar) (Şekil 26)

Paralel ve sabit genişlikte kesimler ya da düz kesimler yaparken kılavuz rayının ve kılavuz ray adaptörünün kullanılması hızlı ve temiz kesimler elde edilmesini sağlayacaktır.

Kılavuz ray adaptörünü takmak için, ölçek çubuğunu taban üzerindeki kare delik içerisinde gittiği yere kadar ittirin. Alyan anahtarını kullanarak civatayı iyice sıkın.

(Şekil 27)

Kılavuz ray adaptörünü kılavuz rayının üzerine takın. Ölçek çubuğunu kılavuz ray adaptörü üzerindeki kare delik içerisine sokun. Tabanı kılavuz rayın yan tarafına yerleştirin ve civatayı iyice sıkın. (Şekil 28)

⚠ DİKKAT:

- Kılavuz rayı ve kılavuz ray adaptörü kullanırken mutlaka B-8, B-13, B-16, B-17 veya 58 numaralı bıçakları kullanın.

BAKIM

⚠ DİKKAT:

- Makinede herhangi bir kontrol veya bakım işlemine başlamadan önce makinenin kapalı ve aküsünün çıkartılmış olduğundan emin olun.
- Kesinlikle gazolin, benzin, tiner, alkol veya benzeri bir madde kullanmayın. Aksi takdirde renk bozulması, deformasyon veya çatlaklar meydana gelebilir.

Ürünün EMNİYETLİ ve GÜVENİLİR durumda kalmasını sağlamak için tüm onarımlar, bakım ve ayarlar Makita yetkili servisleri veya fabrika servis merkezleri tarafından Makita yedek parçaları kullanılarak yapılmalıdır.

OPSİYONEL AKSESUARLAR

⚠ DİKKAT:

- Bu kullanım kılavuzunda tanıtılan Makita marka makineyle aşağıdaki aksesuarların ve parçaların kullanılması önerilir. Bunların dışında başka aksesuarların veya parçaların kullanılması yaralanmalara yol açabilir. Aksesuarlar ve parçalar doğru şekilde ve öngörüldükleri işlevler için kullanılmalıdır.

Aksesuarlara ilişkin daha ayrıntılı bilgi almak için size en yakın yetkili Makita servisine başvurabilirsiniz.

- Depupaj testere bıçakları
- 4 numara Alyan anahtar
- Kılavuz mesnedi (ölçek çubuğu) takımı
- Kılavuz ray adaptörü takımı
- Kılavuz rayı takımı
- Parçalanma önleyici parça
- Kapak plakası
- Toz nozulü tertibatı
- Orjinal Makita aku ve şarj cihazı

NOT:

- Listedeki bazı parçalar makineyle birlikte standart aksesuar olarak verilebilir. Ürünle verilen aksesuarlar ülkeden ülkeye farklılıklar gösterebilir.

Gürültü

ENG905-1

EN60745 uyarınca belirlenen tipik A ağırlıklı gürültü seviyesi:

DJV142 Modeli

Ses basıncı seviyesi (L_{pA}): 78 dB (A)
Belirsizlik (K): 3 dB (A)

Çalışma sırasında gürültü seviyesi 80 dB (A)'yı aşabilir.

DJV182 Modeli

Ses basıncı seviyesi (L_{pA}): 77 dB (A)
Belirsizlik (K): 3 dB (A)

Çalışma sırasında gürültü seviyesi 80 dB (A)'yı aşabilir.

Koruyucu kulaklık takın.

Titreşim

ENG900-1

EN60745'e göre belirlenen toplam titreşim değeri (üç eksenli vektörel toplam):

DJV142 Modeli

Çalışma modu : pano kesimi
Titreşim emisyonu ($a_{h,B}$): 7,0 m/s²
Belirsizlik (K): 1,5 m/s²

Çalışma modu : metal sac kesimi
Titreşim emisyonu ($a_{h,M}$): 4,0 m/s²
Belirsizlik (K): 1,5 m/s²

DJV182 Modeli

Çalışma modu : pano kesimi
Titreşim emisyonu ($a_{h,B}$): 7,0 m/s²
Belirsizlik (K): 1,5 m/s²

Çalışma modu : metal sac kesimi
Titreşim emisyonu ($a_{h,M}$): 3,5 m/s²
Belirsizlik (K): 1,5 m/s²

ENG901-1

- Belirtilen titreşim emisyonu değeri, standart test yöntemine göre ölçülmüştür ve makinenin diğer makinelerle karşılaştırılması için kullanılabilir.
- Belirtilen titreşim emisyonu değeri ayrıca maruziyetin ön değerlendirilmesinde de kullanılabilir.

⚠ UYARI:

- Elektrikli aletin gerçek kullanımı sırasında ortaya çıkacak titreşim emisyonu, aletin kullanıma şekline bağlı olarak belirtilen emisyon değerinden farklı olabilir.
- Gerçek kullanım koşullarındaki maruziyeti tahmin ederek (örneğin, aletin açılma süresine ek olarak kapalı konuma getirildiği ve rölantide çalıştığı süreler gibi çalışma döngüsünün tüm bileşenlerini dikkate alın), kullanıcıyı korumak için gerekli güvenlik önlemlerinin alındığından emin olun.

Yalnızca Avrupa ülkeleri için

ENH101-17

AT Uygunluk Beyanı

Makita aşağıdaki Makine(ler) ile ilgili şu hususları

beyan eder:

Makinenin Adı:

Akülü Dekupaj Testere

Model Numarası/Tipi: DJV142, DJV182

Şu Avrupa Yönergelerine uygundur:

2006/42/EC

Şu Standartlara veya standartlaştırılmış belgelere uygun olarak üretilmiştir:

EN60745

2006/42/EC'ye uygun Teknik dosyaya şu adresten ulaşılabilir:

Makita, Jan-Baptist Vinkstraat 2, 3070, Belçika

31. 12. 2013



Yasushi Fukaya

Müdür

Makita, Jan-Baptist Vinkstraat 2, 3070, Belçika

Makita Jan-Baptist Vinkstraat 2, 3070, Belgium
Makita Corporation Anjo, Aichi, Japan

885228B996

www.makita.com

ALA