



Paulmann

Safety Instructions

1, 2, 3, 4, 5, 6, 7, 10, 12, 13, 14, 15, 16, 17, 18, 19, 20, 22, 24, 28, 29, 31, 32, 33, 34

31.08.2021 | 01.09.2021

ENERGY LABEL 874/2012 | ENERGY LABEL 2019/2015

A++ - A | F

LED symbols and icons

www.paulmann.com/symbols

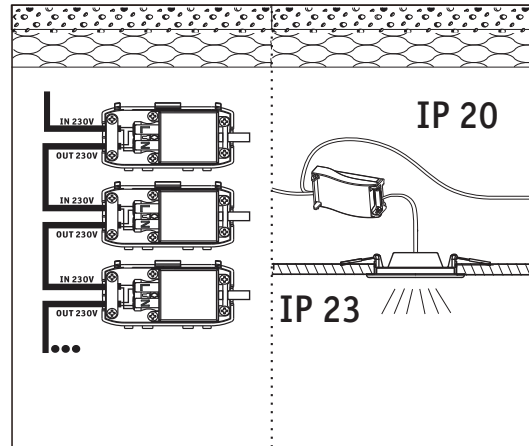
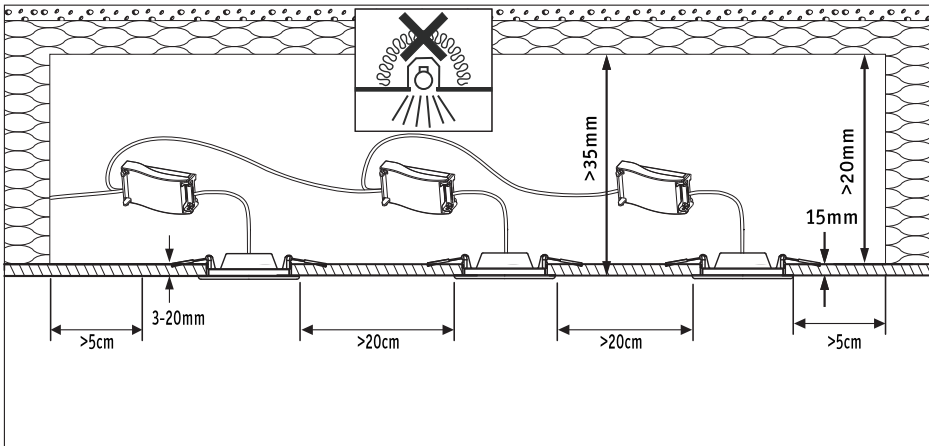
Paulmann Licht GmbH
Quezinger Feld 2
31832 Springe
Germany

www.paulmann.com

Art.-Nr.: 920.66
920.69
920.78
920.81
(+MA 326) PIM 08/22

1x Incl. 2x

CE UK CA



A Safety Instructions Nr. 1.3,5,7

(205x205 mm)

205X205mm

B Safety Instructions Nr. 1.3,5

C Safety Instructions Nr. 1,3,5

1 7mm 14mm

2

D Safety Instructions Nr. 1.3,5

E

F

OK

IP44 A,B,C,D,E,F

