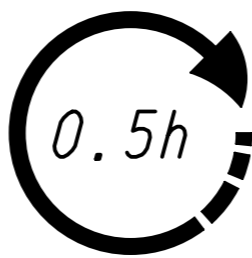
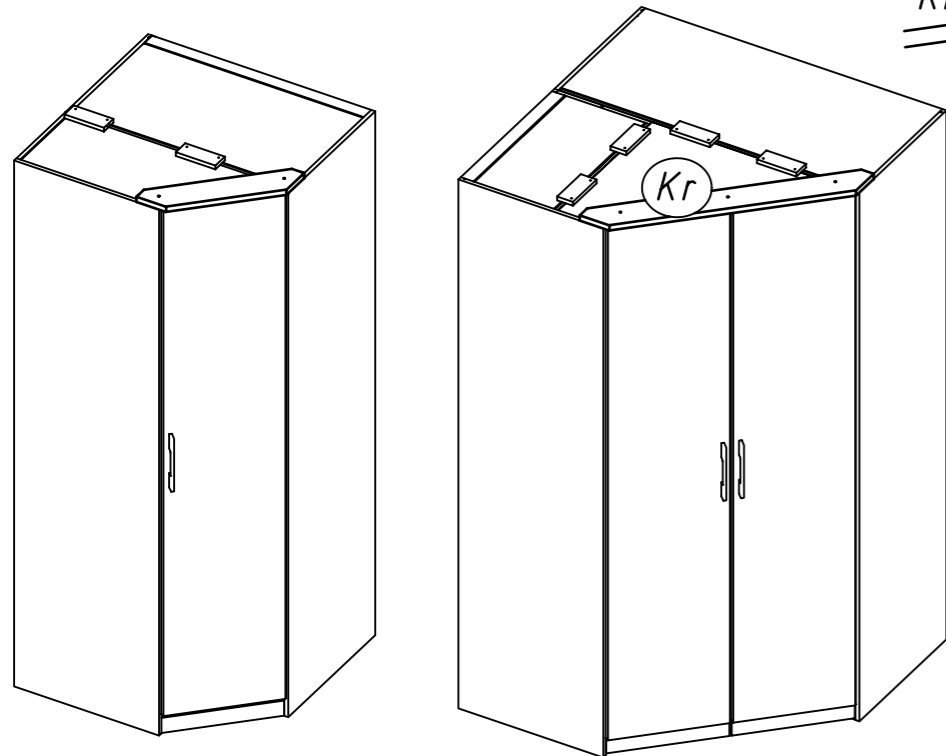
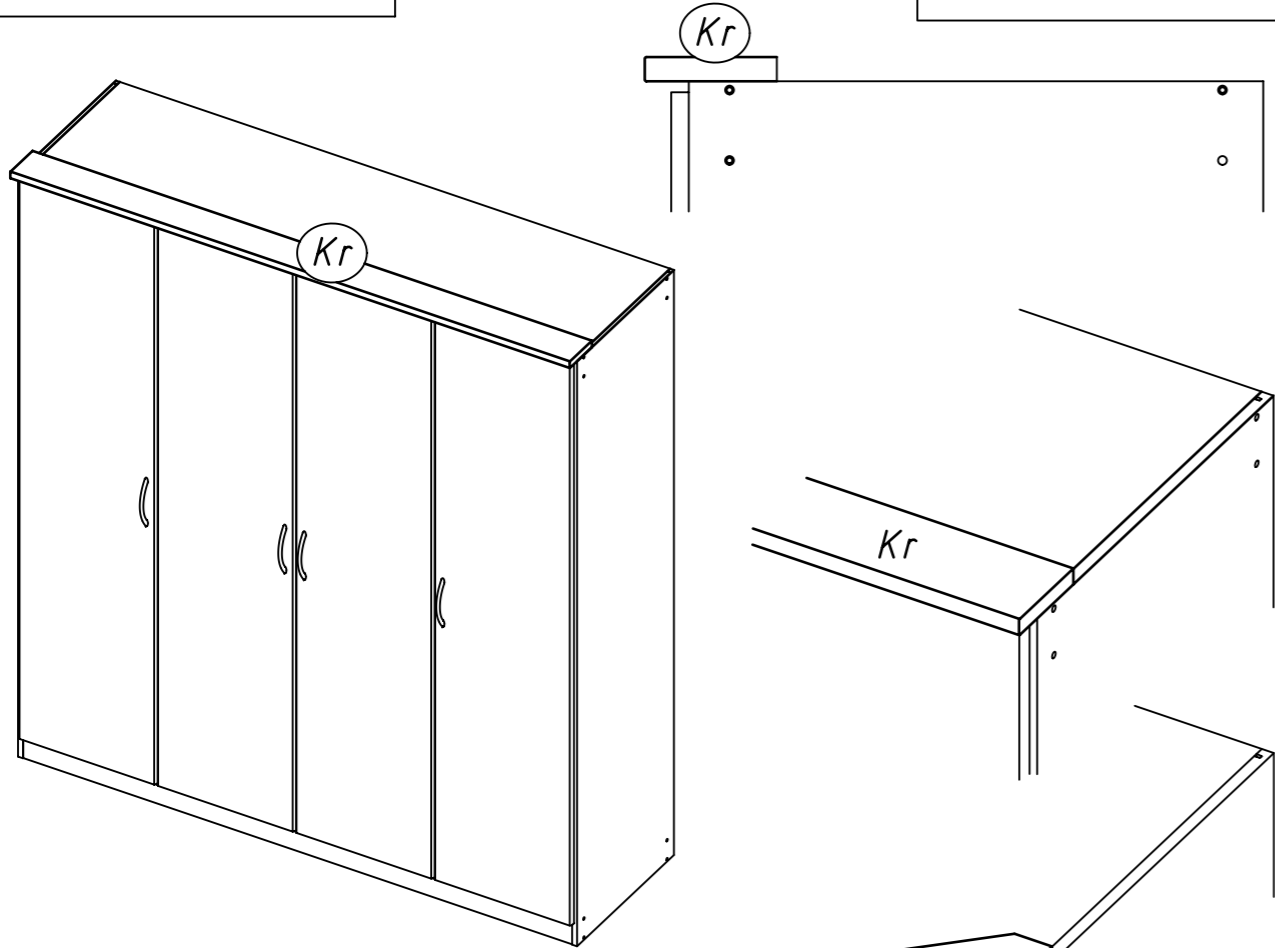
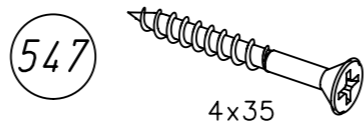
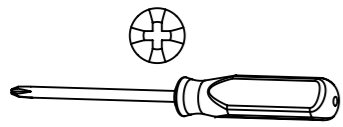


1.

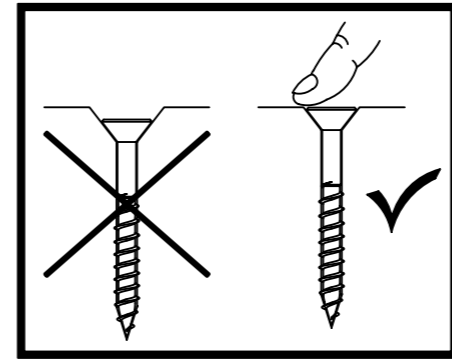
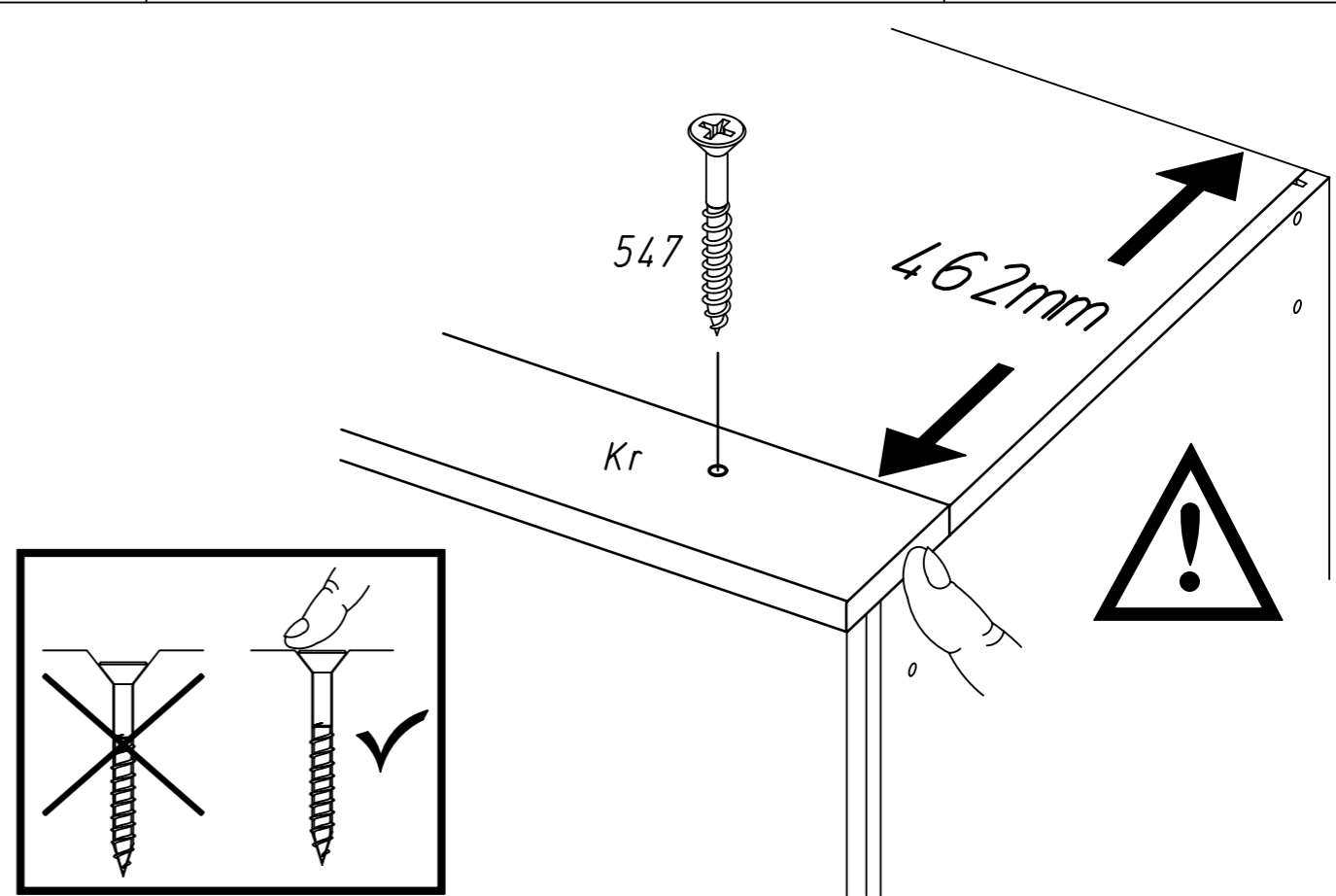
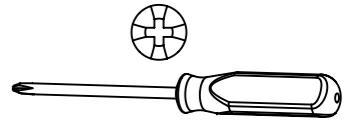
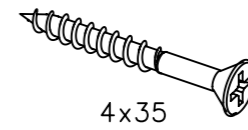
ME203_12



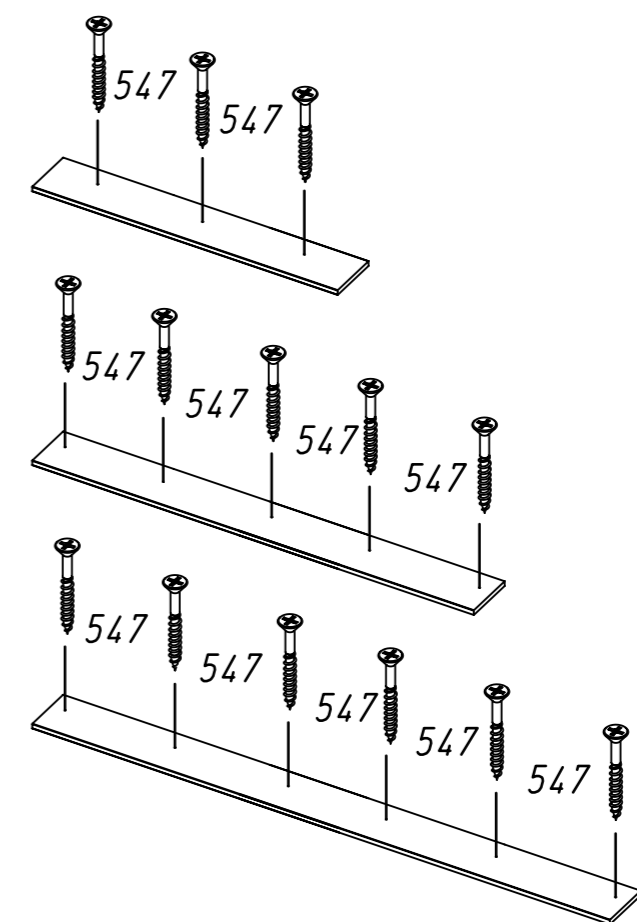
2.

1

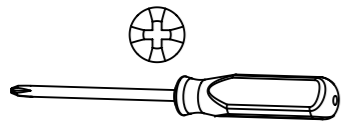
X x 547



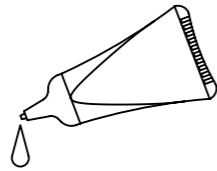
X



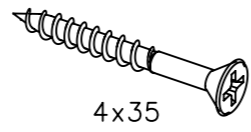
3.



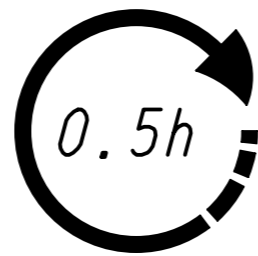
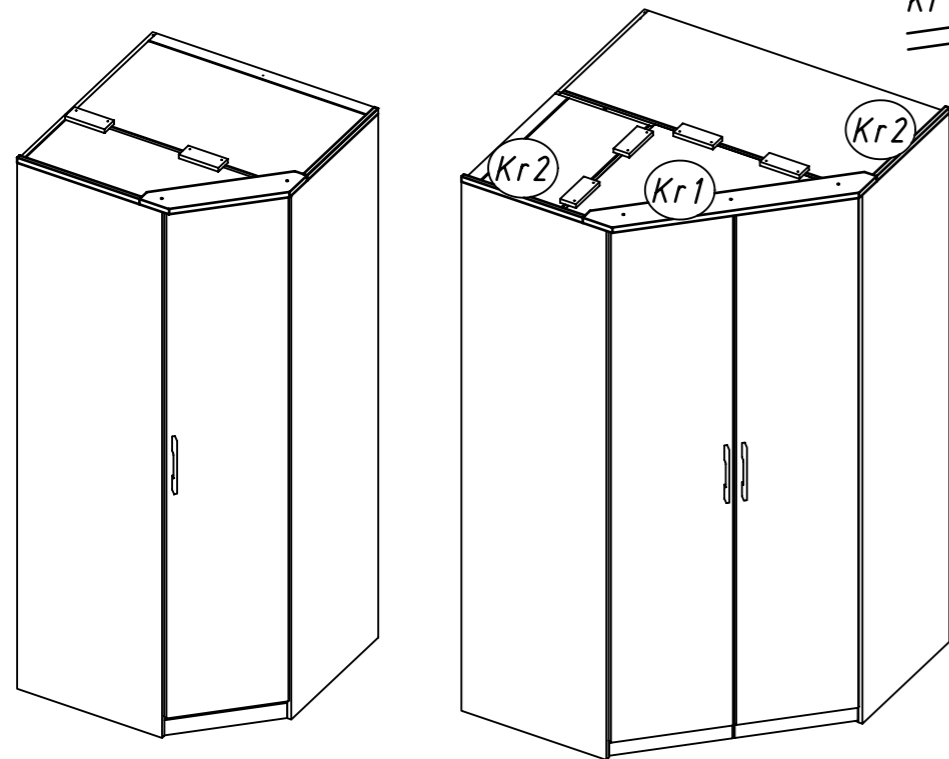
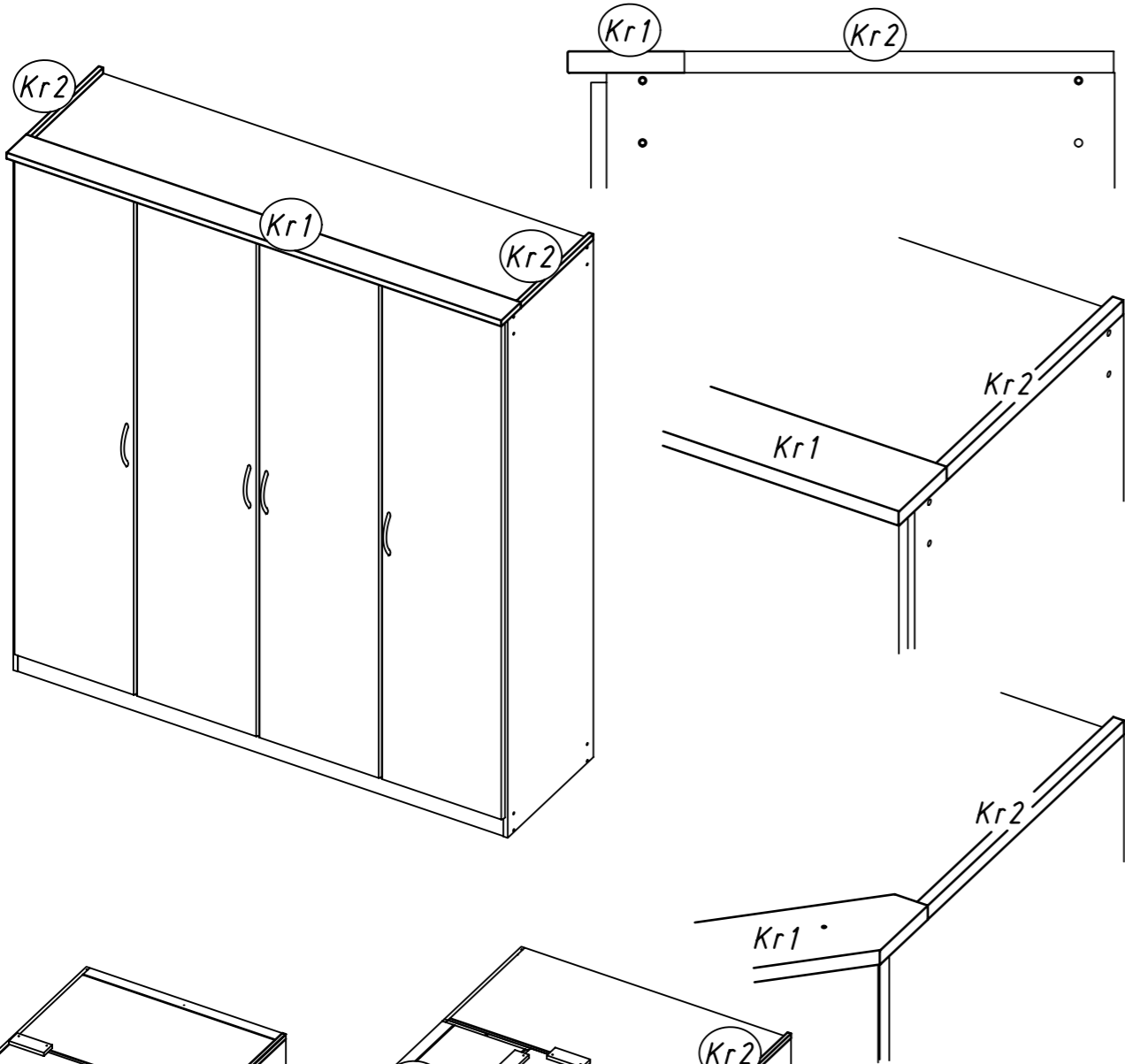
11



547



4x35

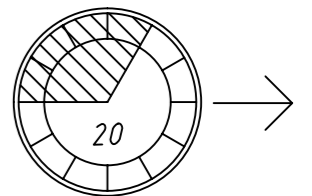
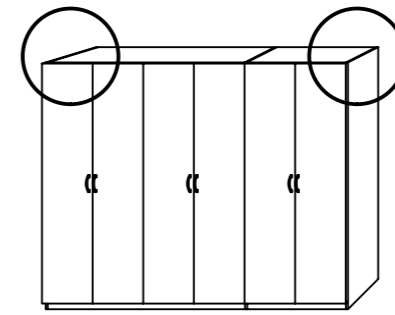
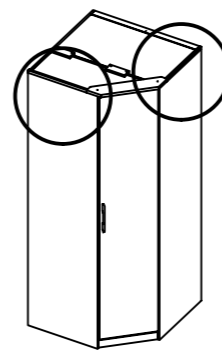
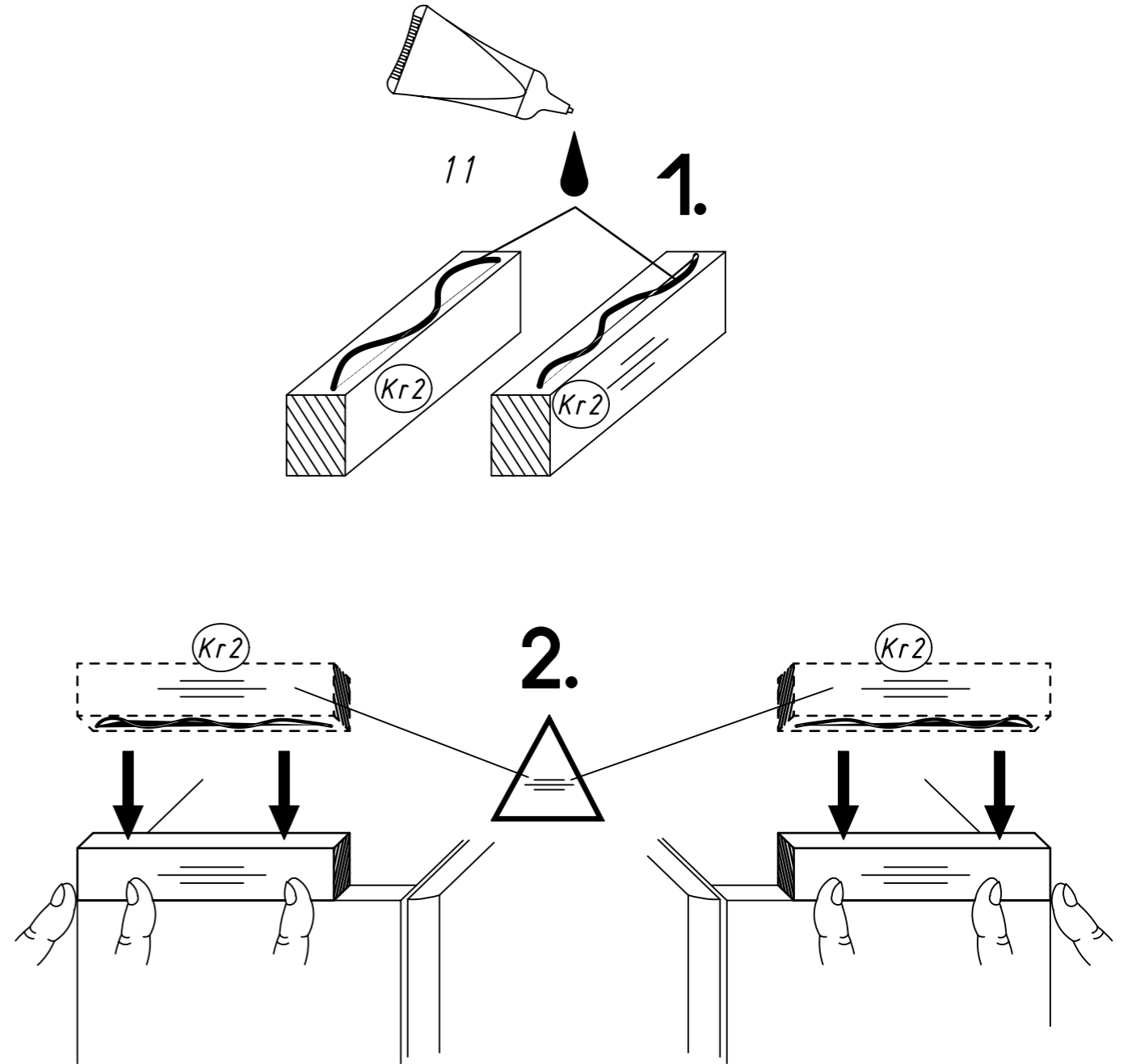
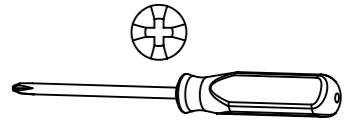
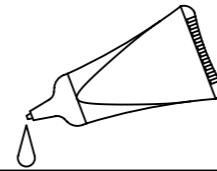


ME203

4.

1

11



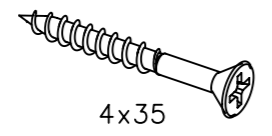
ME203

5.

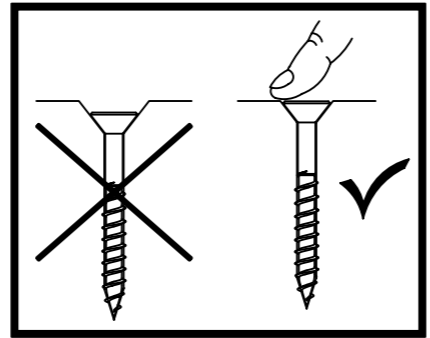
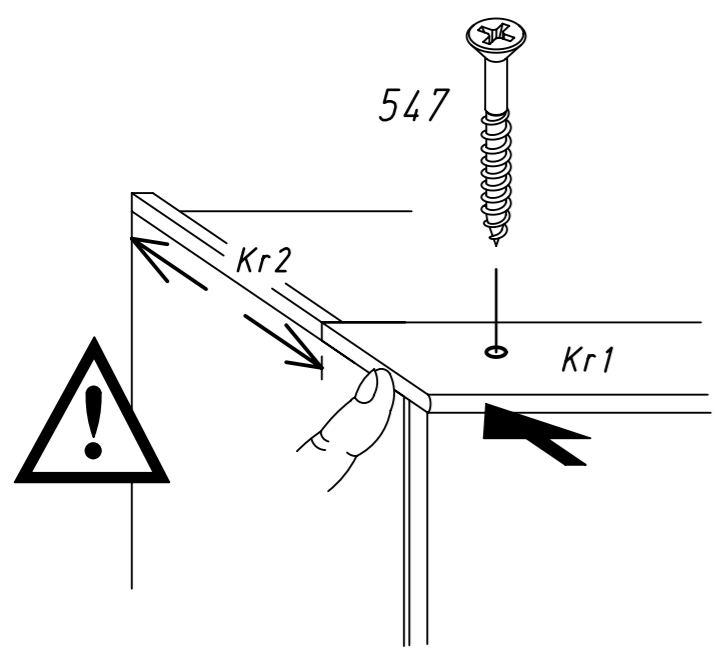
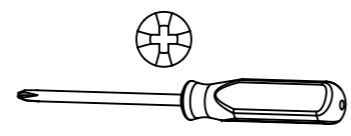
2

X x

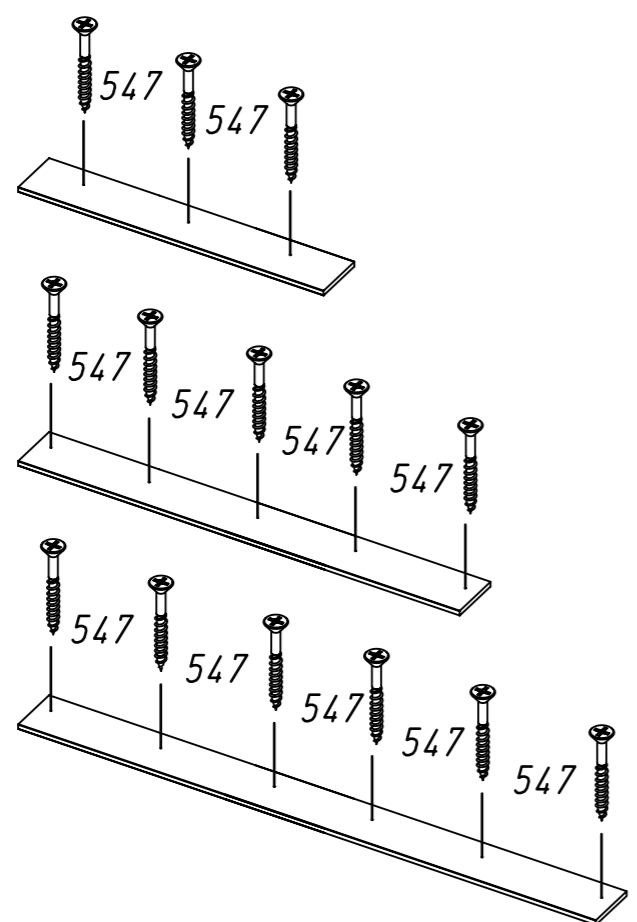
547



4x35

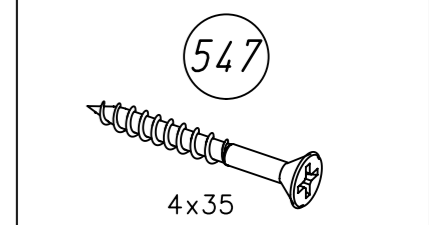
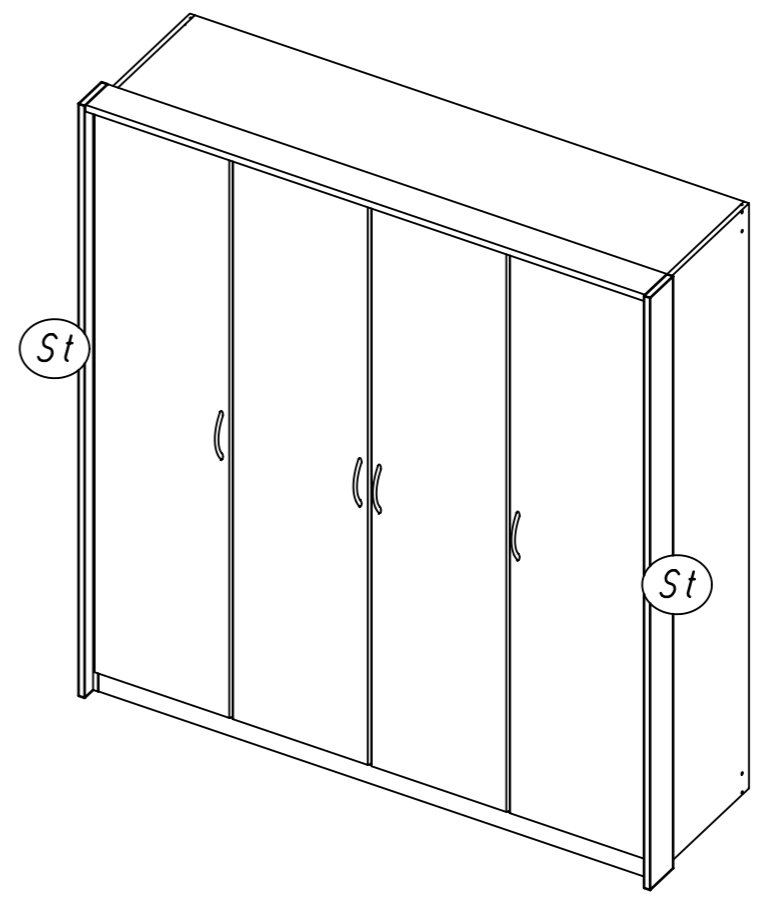


X

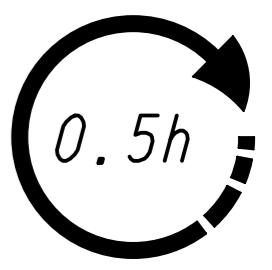
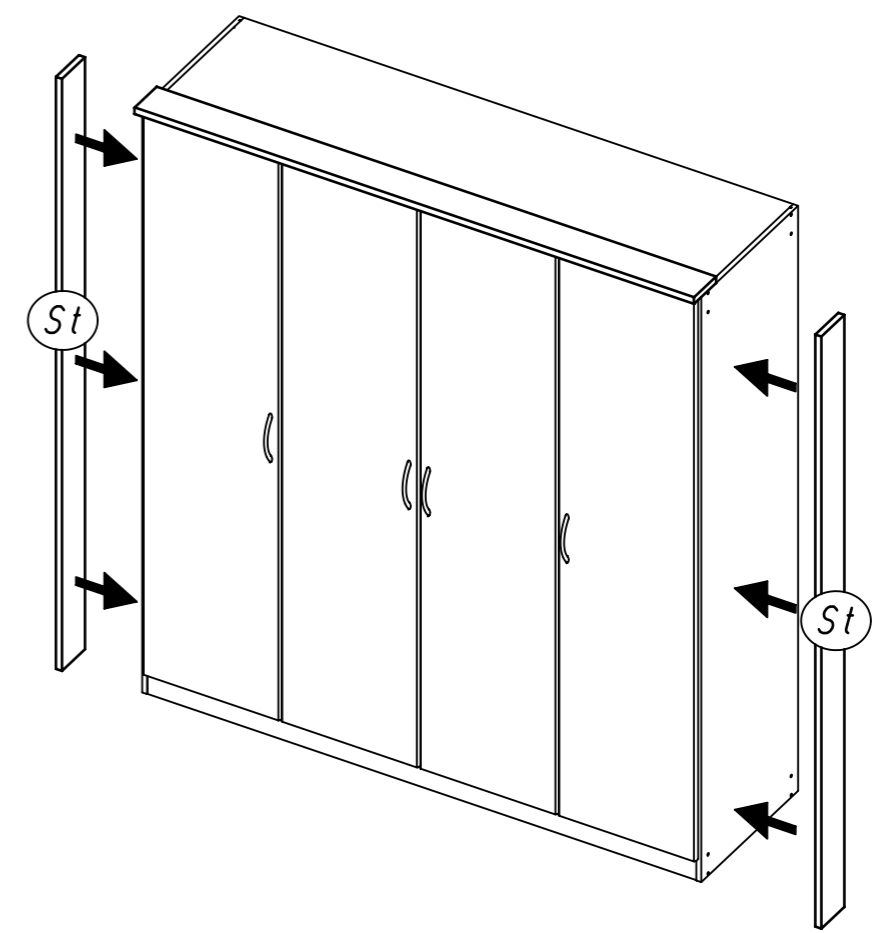
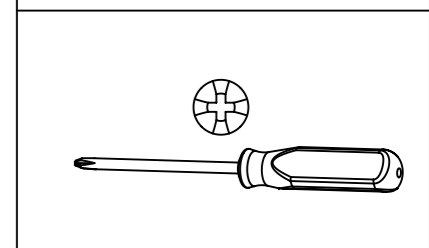


ME203

6.



4x35



ME203

1

8x

547

