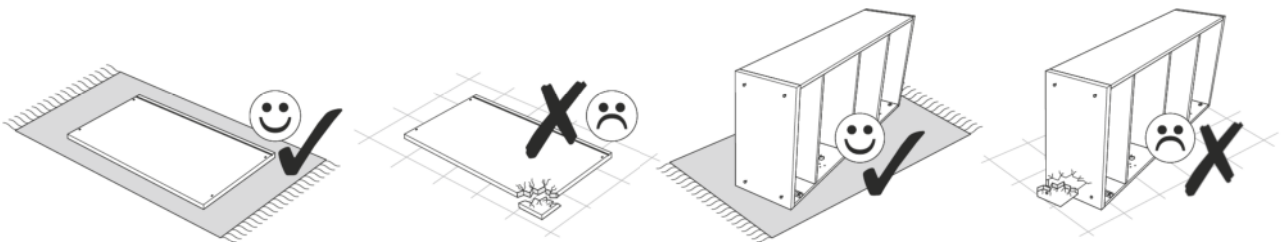
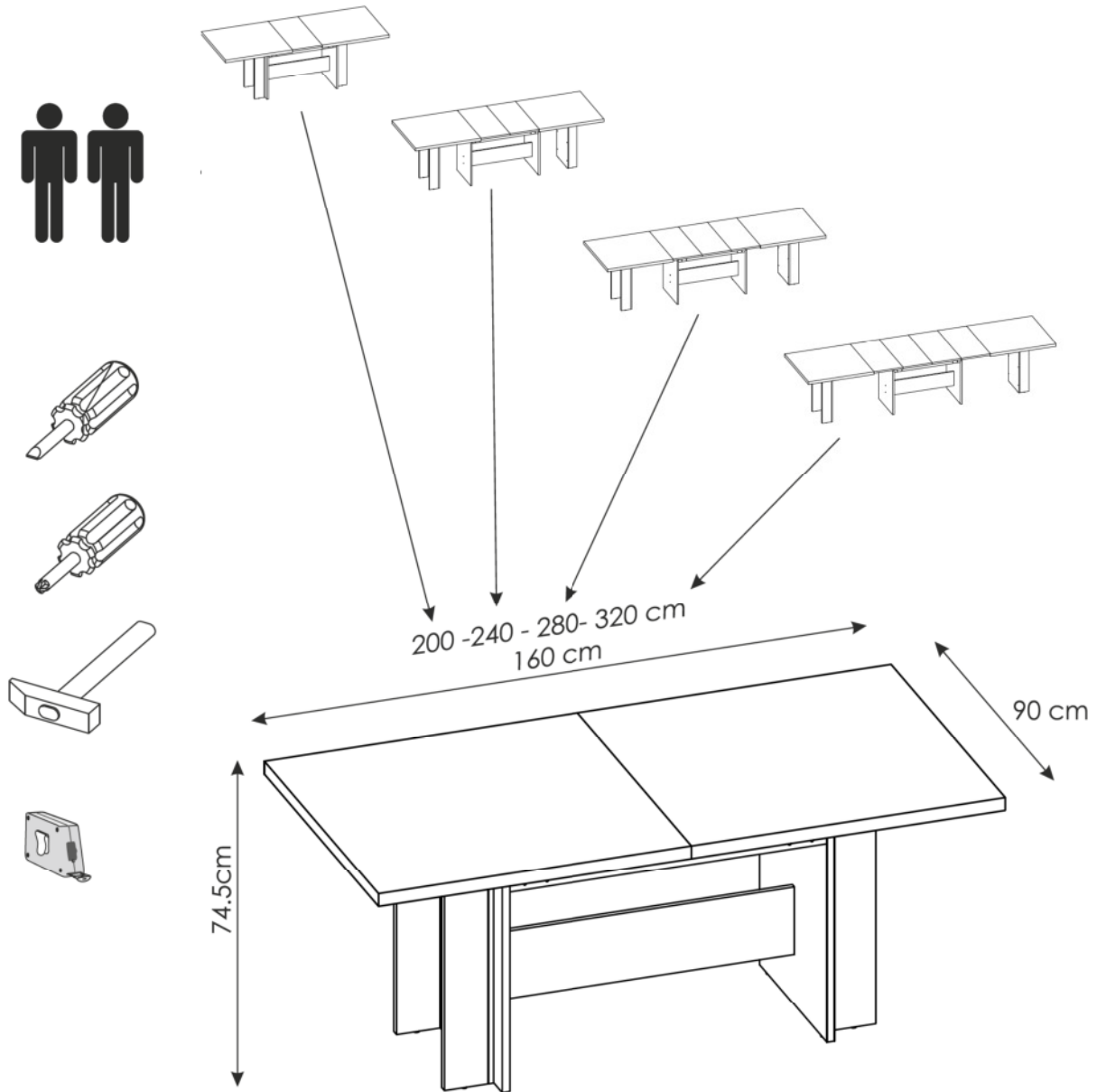
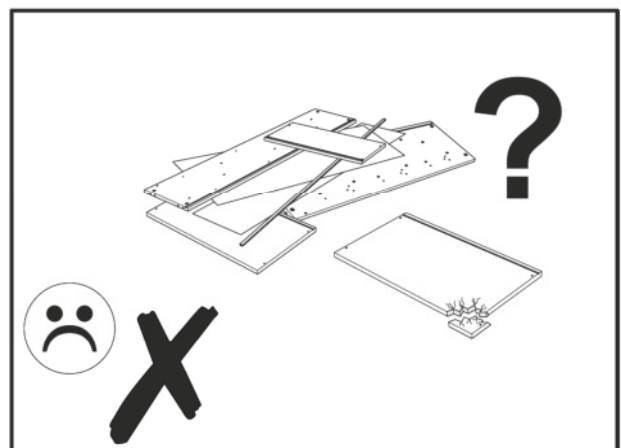
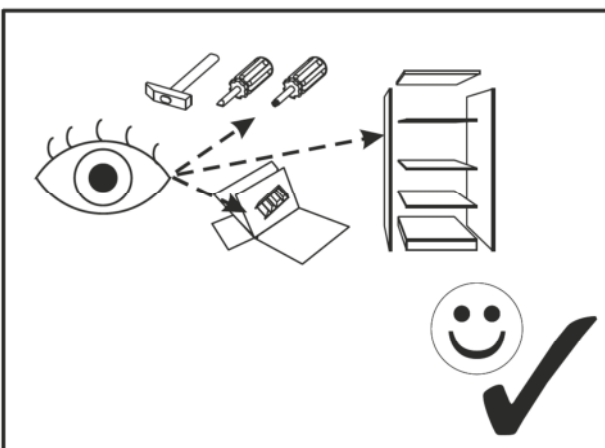
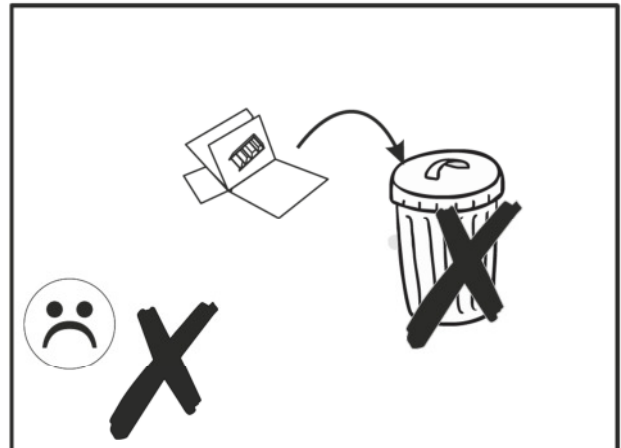
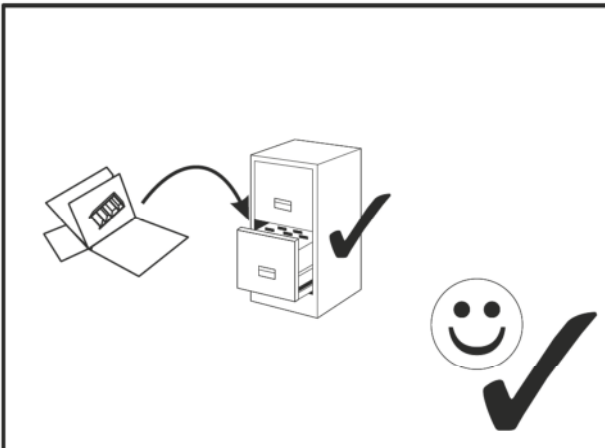
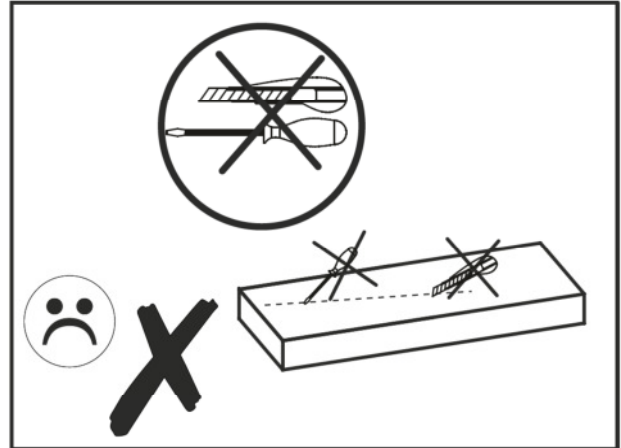
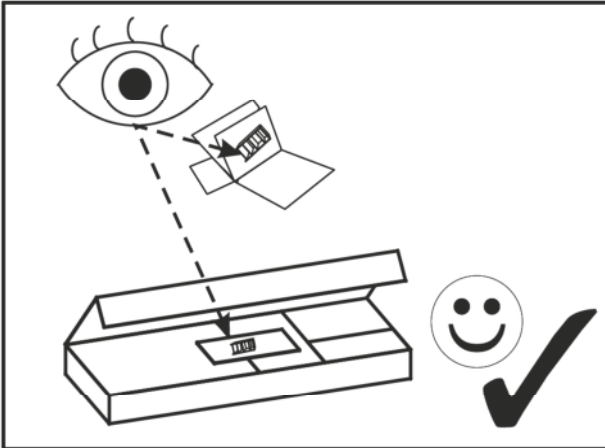
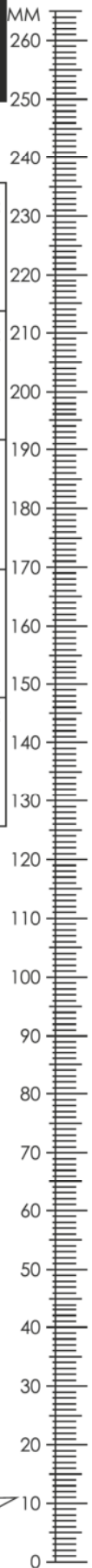






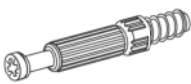




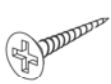



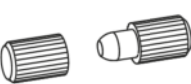


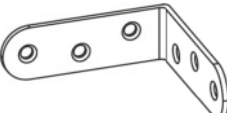
LIA II

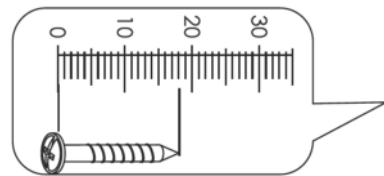




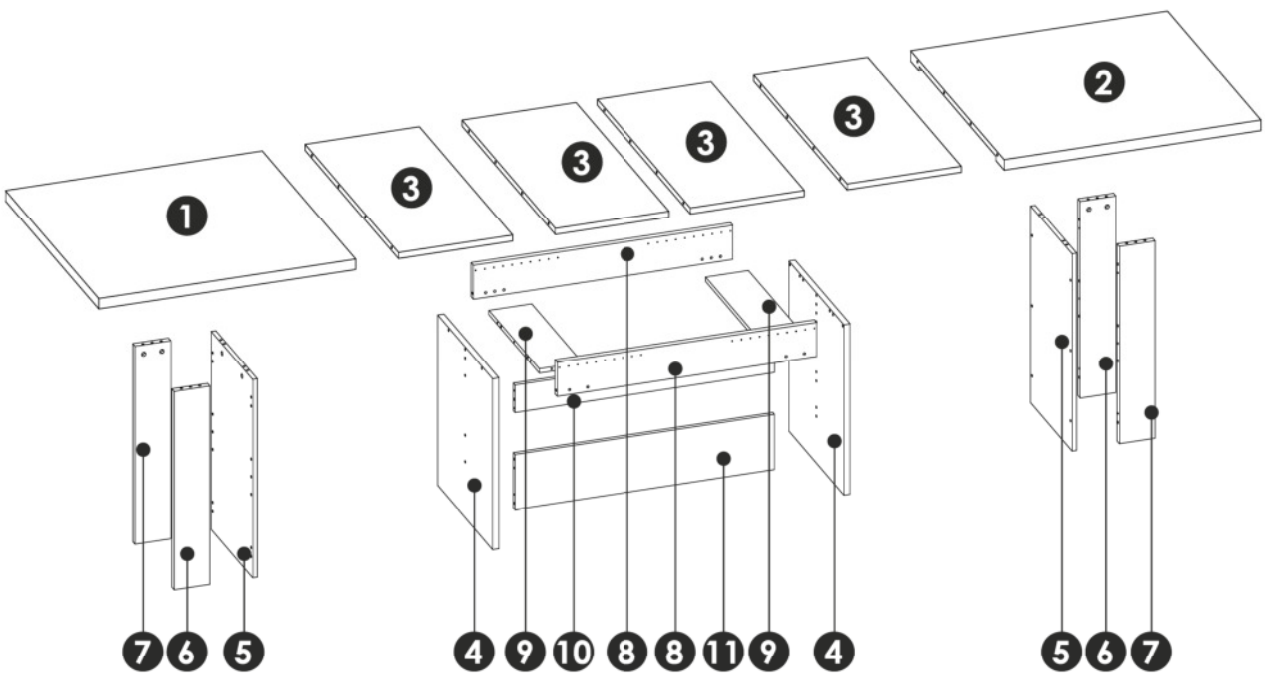
LIA II



| | | |
|--|--|--|
| A1 8 x 35 mm x42  | C2 5 x 13 mm x68  | E0  x12 |
| E1 15 x 12 mm x12  | F1 6 x 34 mm x12  | G1 7 x 50 mm x12  |
| G2 7 x 60 mm x22  | I2 4 x 16 mm x32  | M  x1 |
| N2 3,5 X 16 mm x48  | O2  x12 | O2A Ø10 x4  |
| P16  x34 | R8  x20 | S19  x2 |
| T12  x4 | W  x8 | |







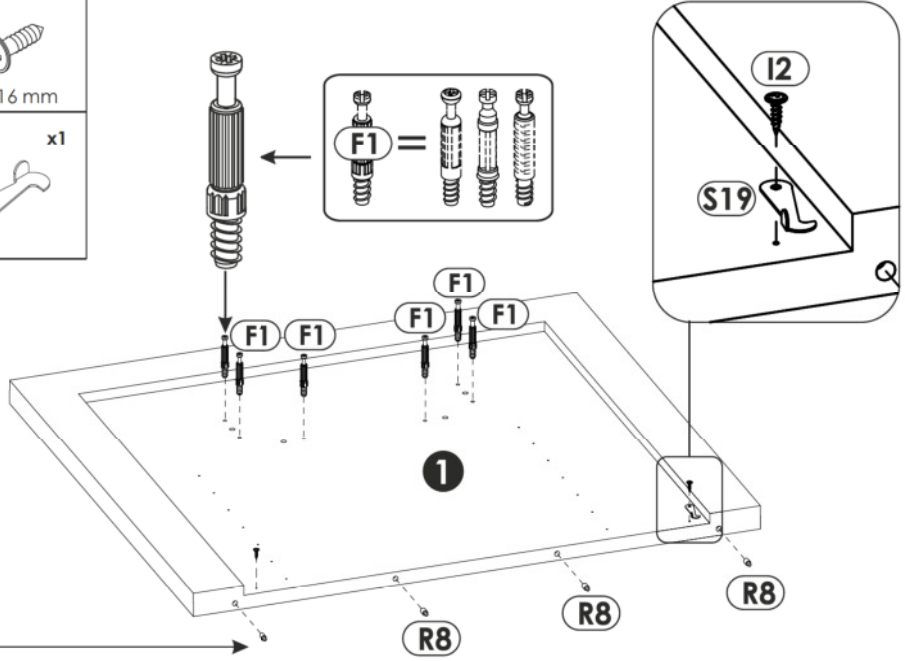
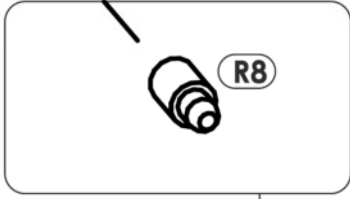
LIA II







| | | | | | | | | | | | | | | | | | |
|----------|-----|-----|----|----|-----|----------|-----|-----|----|----|-----|-----------|-----|-----|----|----|-----|
| 1 | 900 | 800 | 38 | x1 | 2/3 | 4 | 619 | 530 | 22 | x2 | 1/3 | 8 | 124 | 912 | 22 | x2 | 1/3 |
| 2 | 900 | 800 | 38 | x1 | 2/3 | 5 | 718 | 400 | 16 | x2 | 1/3 | 9 | 486 | 150 | 16 | x2 | 1/3 |
| 3 | 900 | 400 | 22 | x4 | 3/3 | 6 | 718 | 125 | 22 | x2 | 1/3 | 10 | 100 | 912 | 16 | x1 | 1/3 |
| | | | | | | 7 | 718 | 125 | 22 | x2 | 1/3 | 11 | 200 | 912 | 16 | x1 | 1/3 |

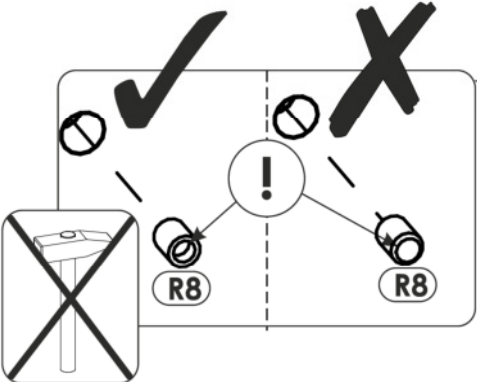
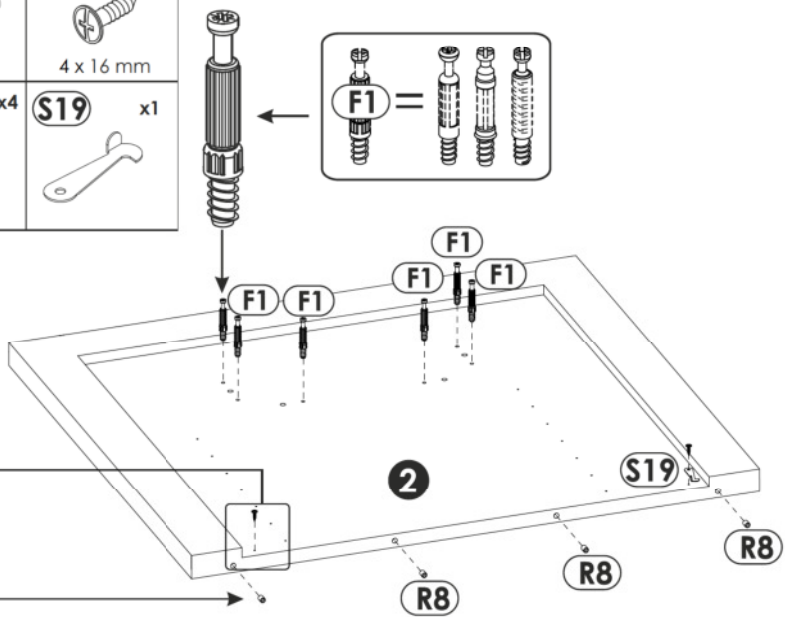
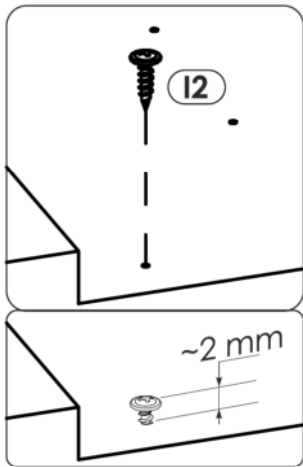
1 ▶

| | |
|--|--|
| F1 x6  6 x 34 mm | I2 x2  4 x 16 mm |
| R8 x4  | S19 x1  |






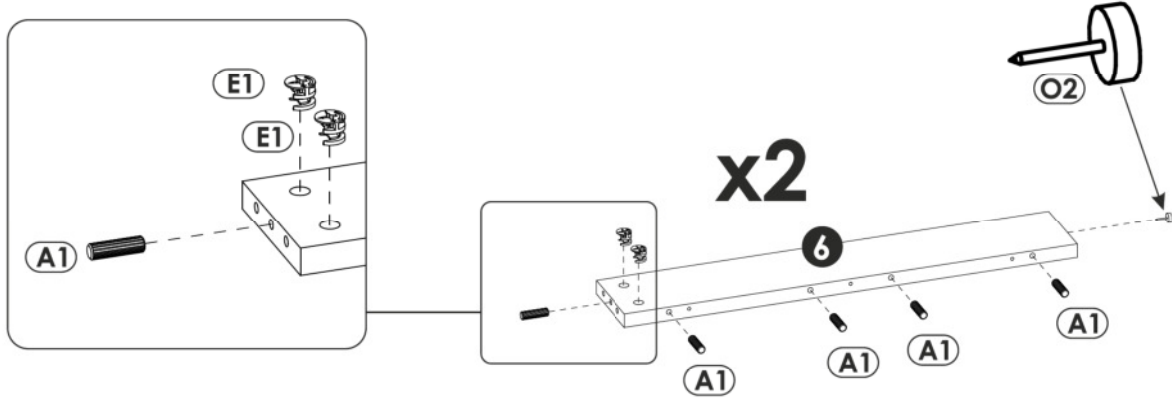
2 ▶

| | |
|--|--|
| F1 x6  6 x 34 mm | I2 x2  4 x 16 mm |
| R8 x4  | S19 x1  |






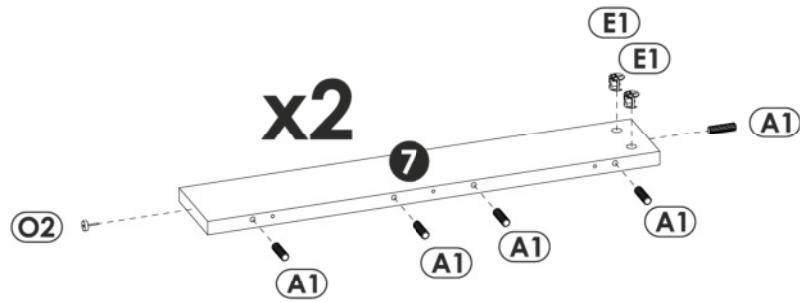
3 ▶

| | | |
|---|---|---|
| A1 x10  8 x 35 mm | E1 x4  15 x 12 mm | O2 x2  |
|---|---|---|

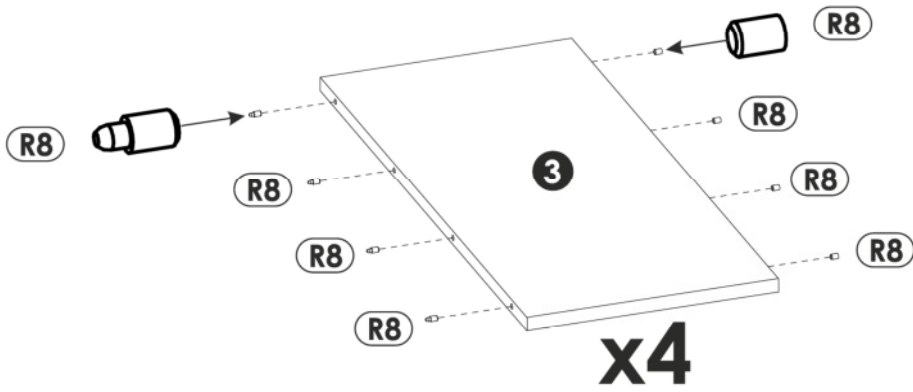
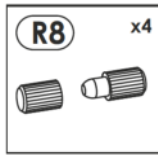


4 ▶

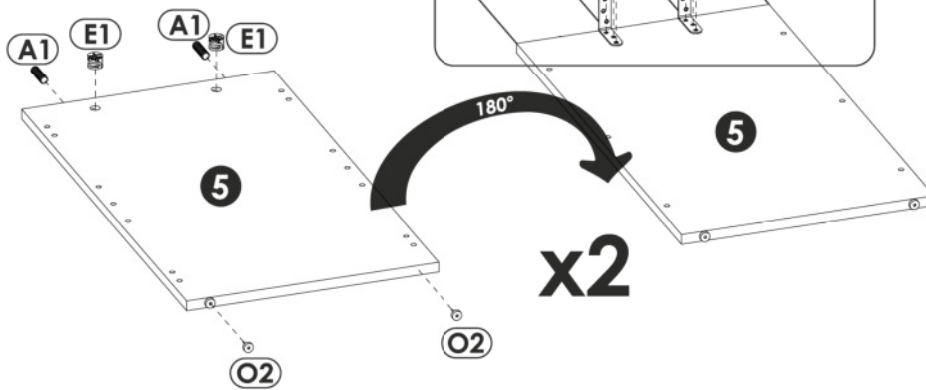
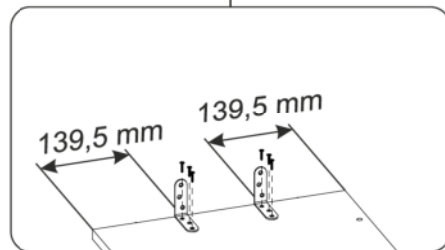
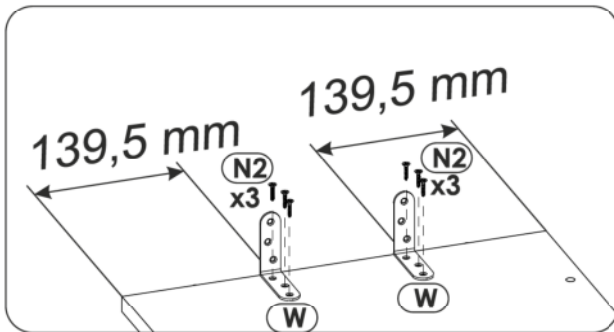
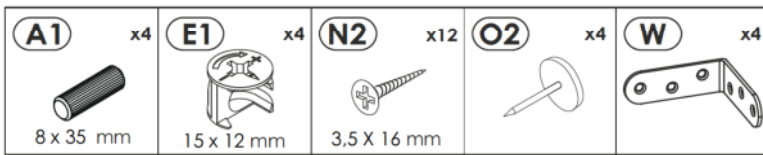
| | | |
|---|---|---|
| A1 x10  8 x 35 mm | E1 x4  15 x 12 mm | O2 x2  |
|---|---|---|



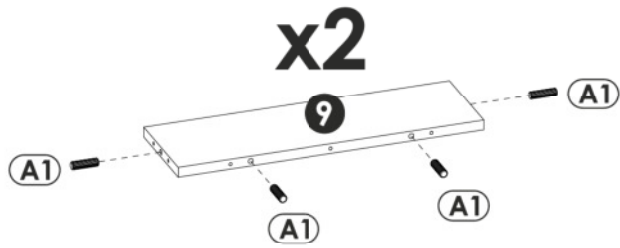
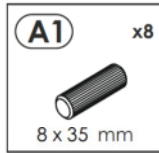
5 ▶



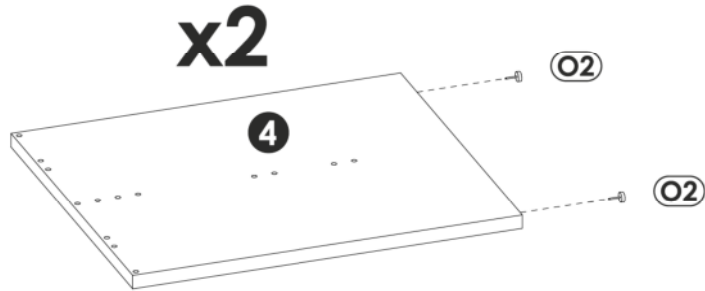
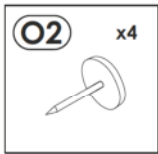
6 ▶



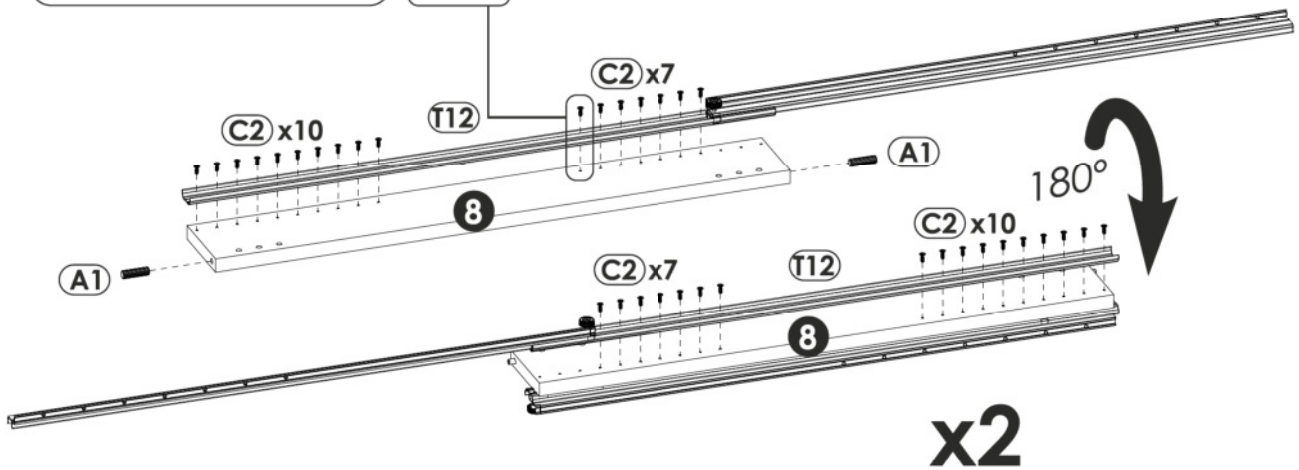
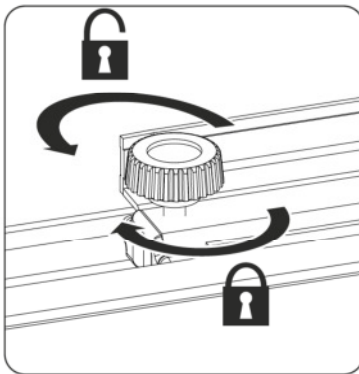
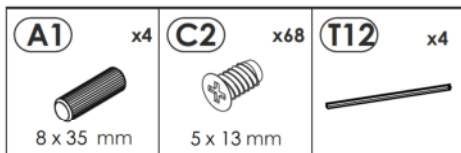
7 ▶



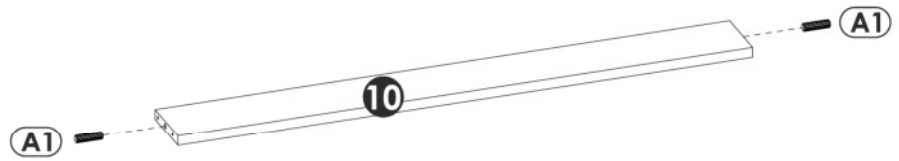
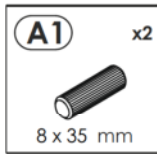
8 ▶



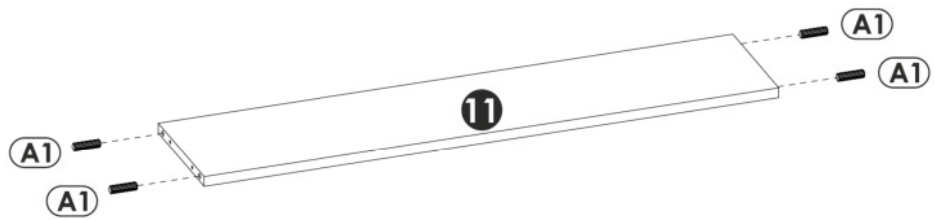
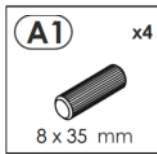
9 ▶



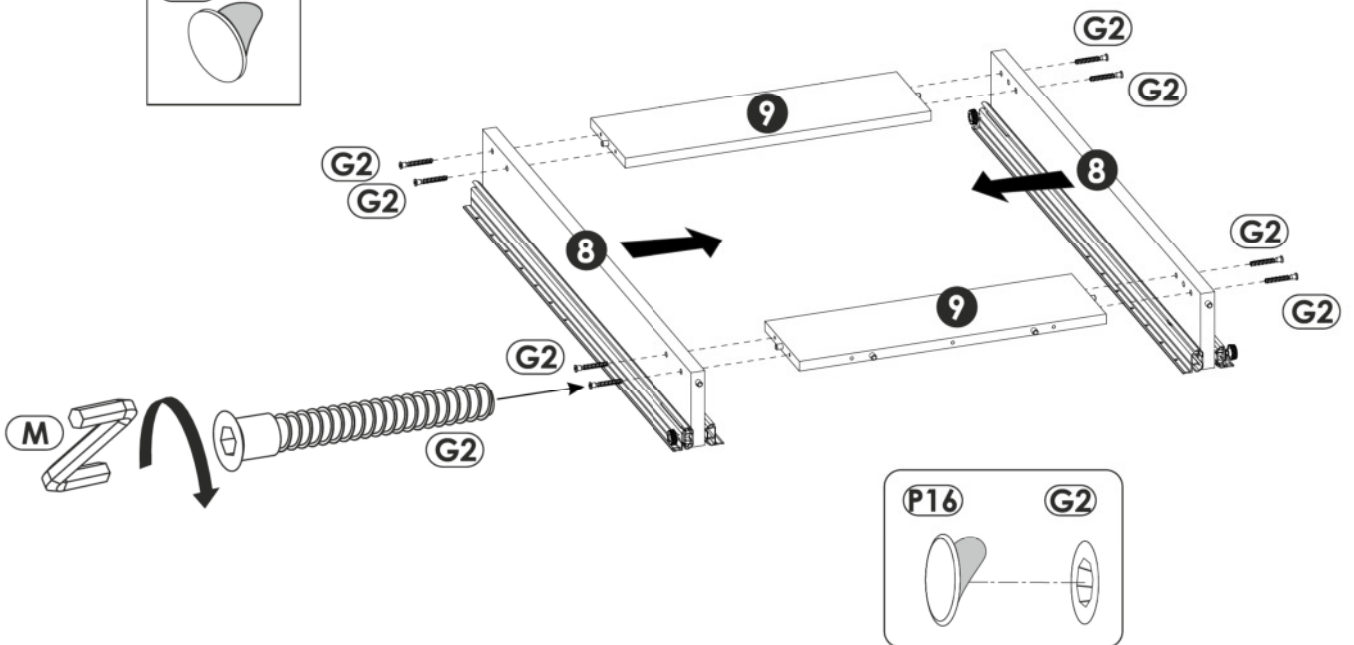
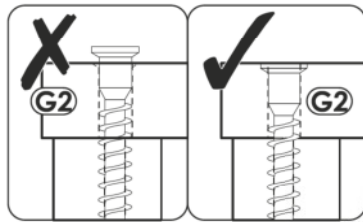
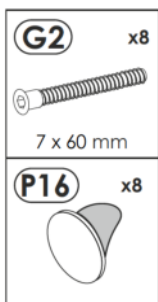
10▶



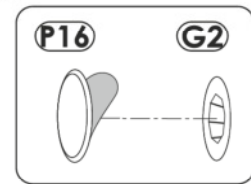
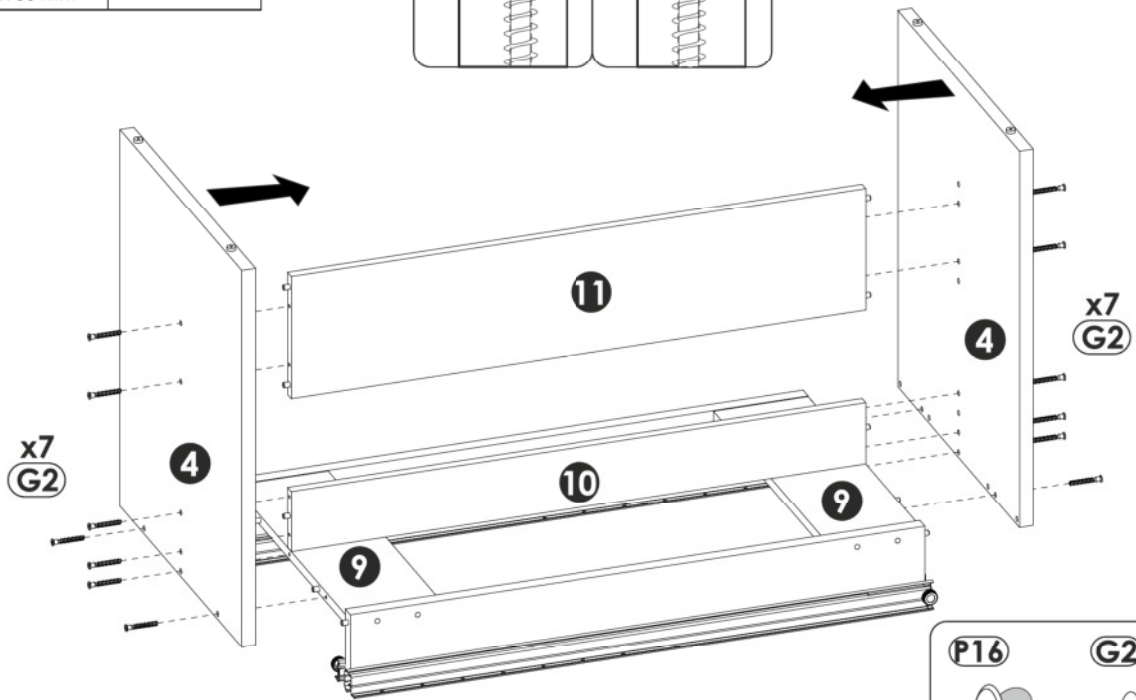
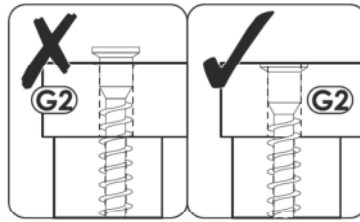
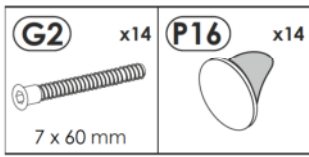
11▶



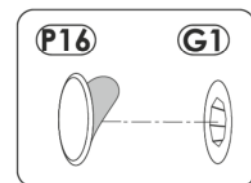
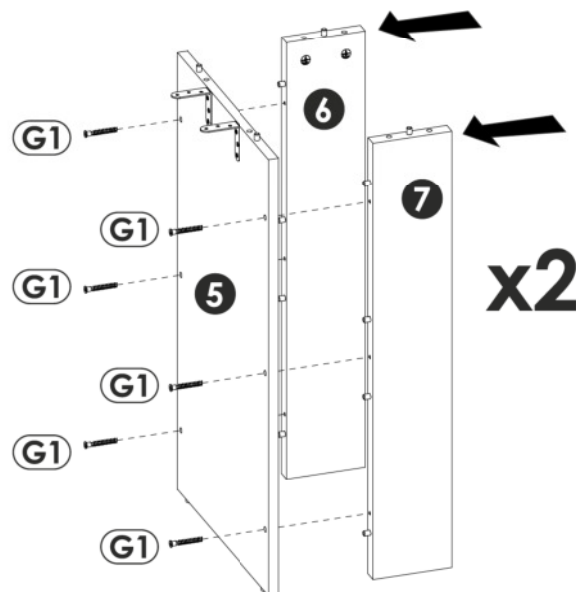
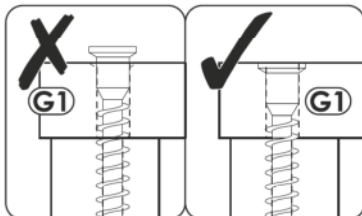
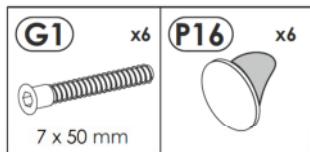
12▶



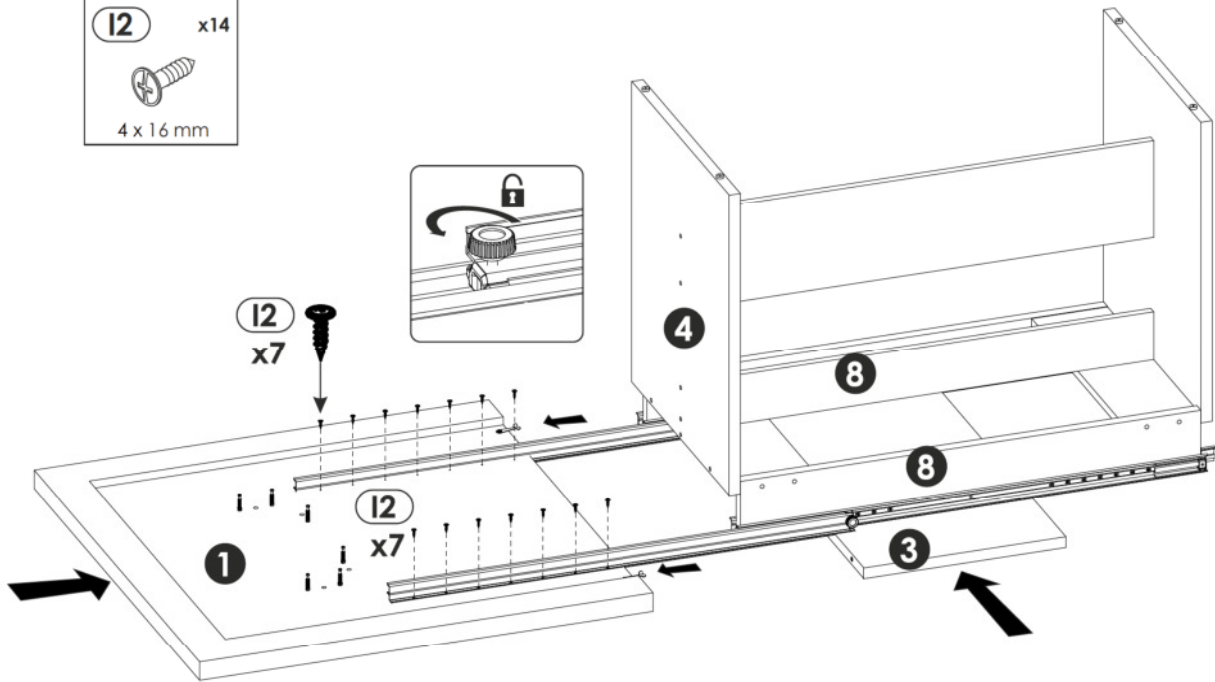
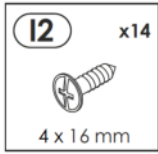
13 ▶



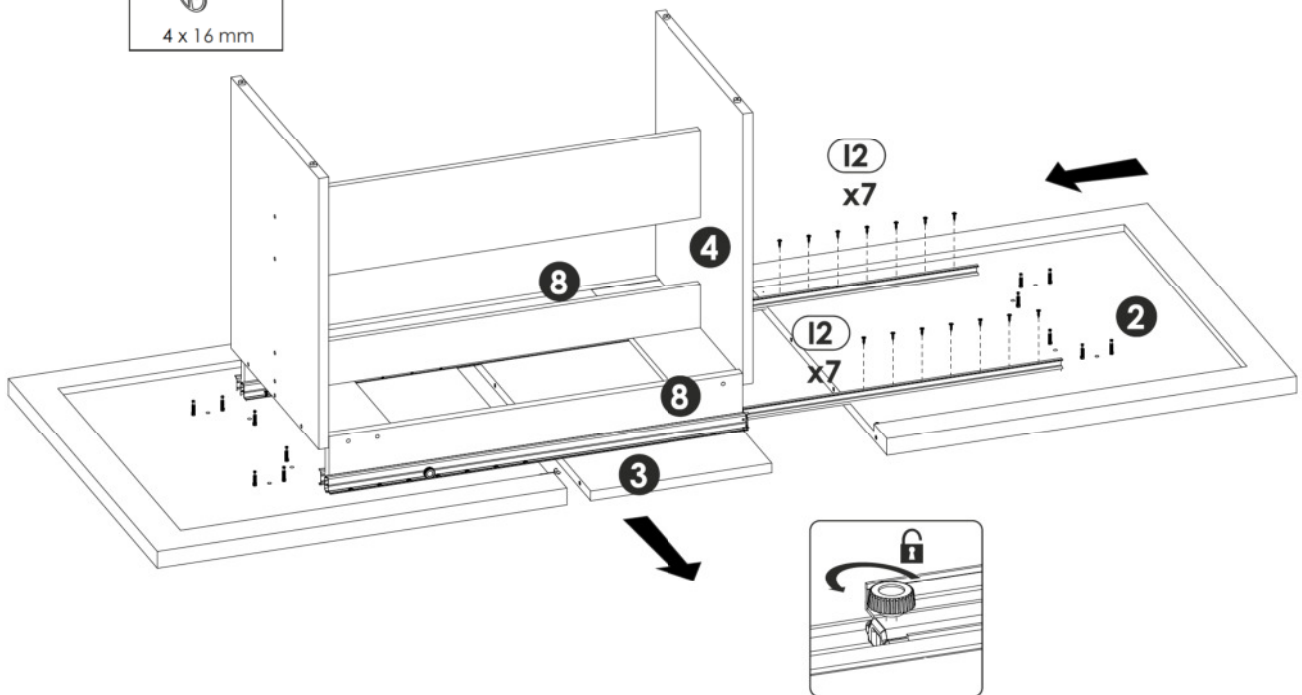
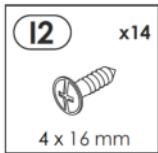
14 ▶



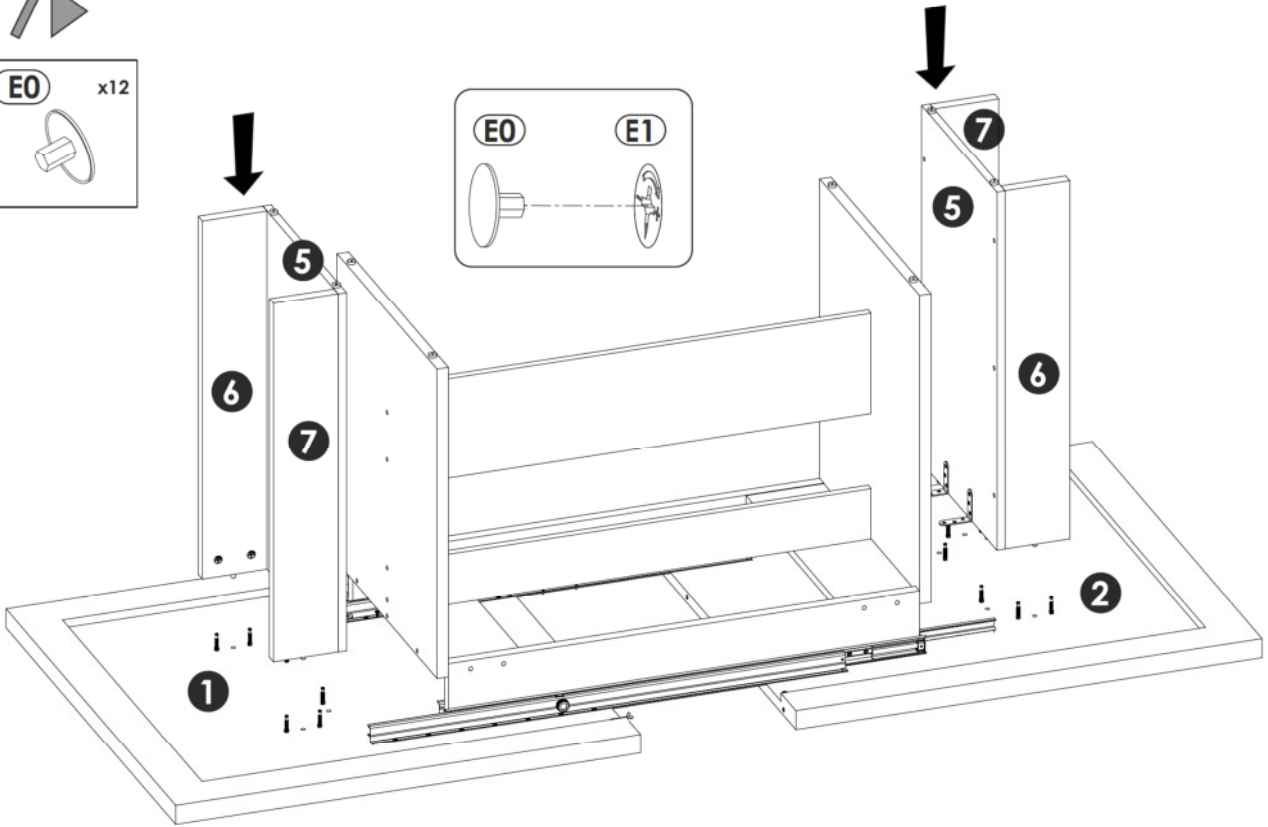
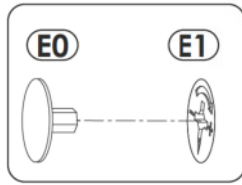
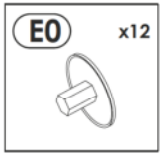
15 ▶



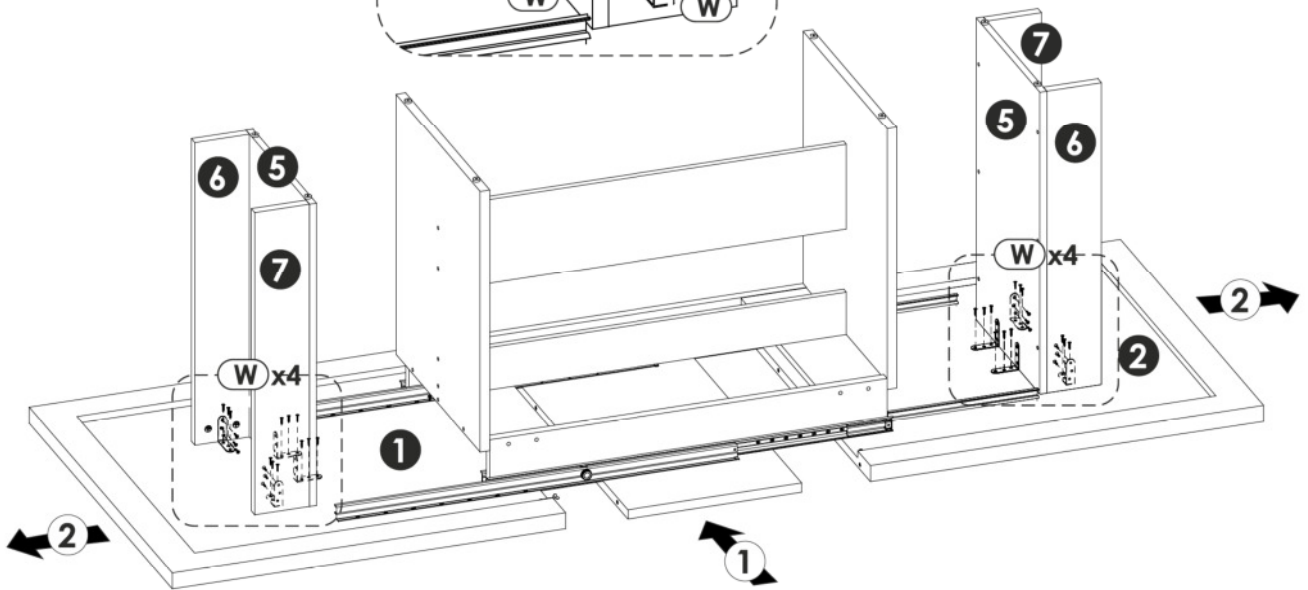
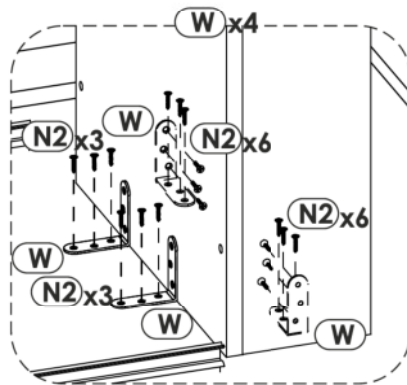
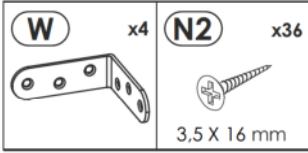
16 ▶



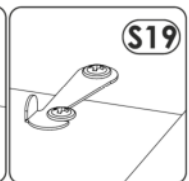
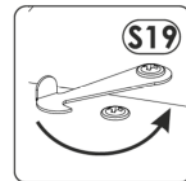
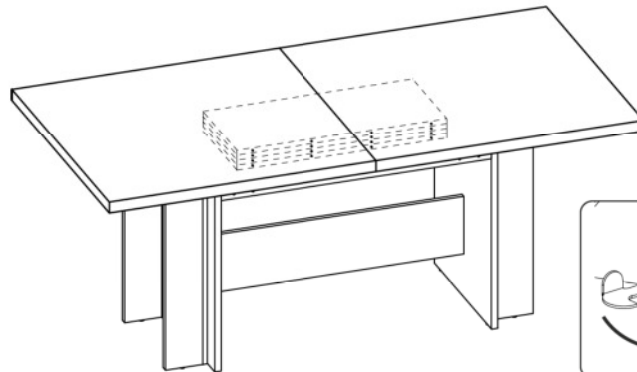
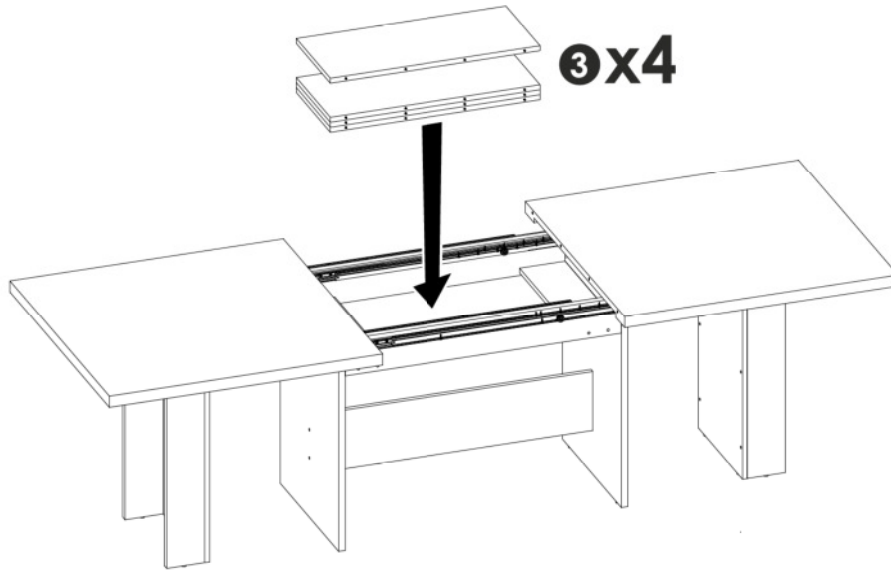
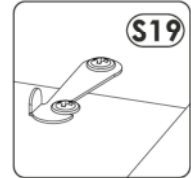
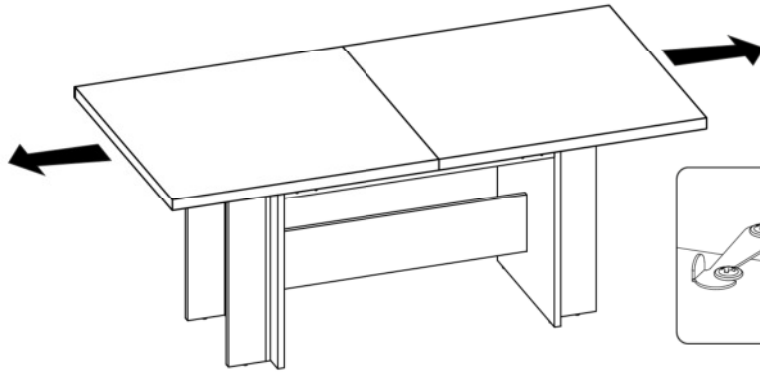
17 ▶



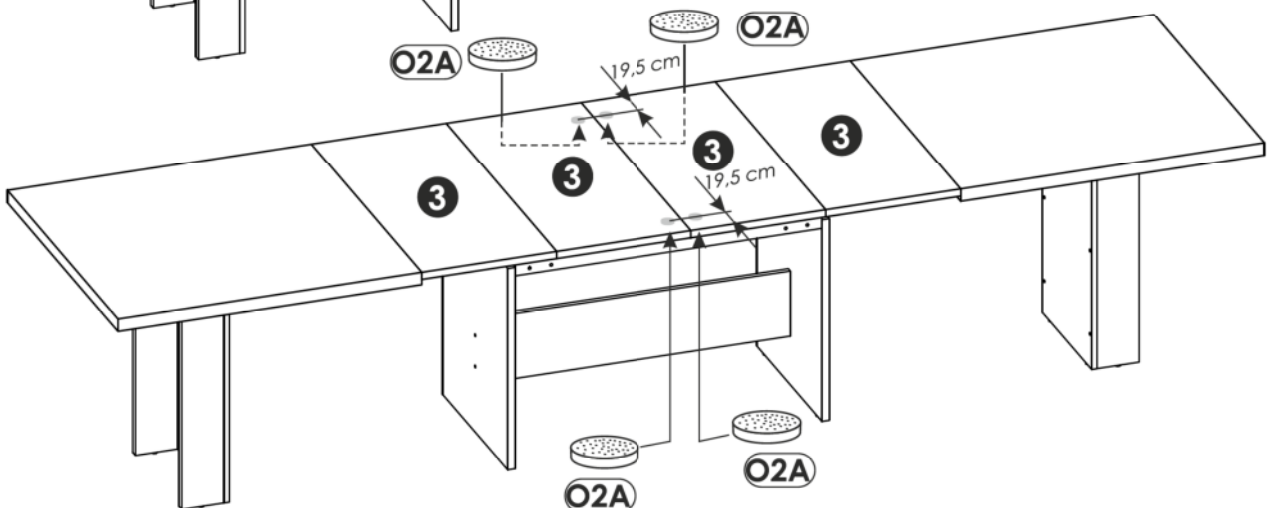
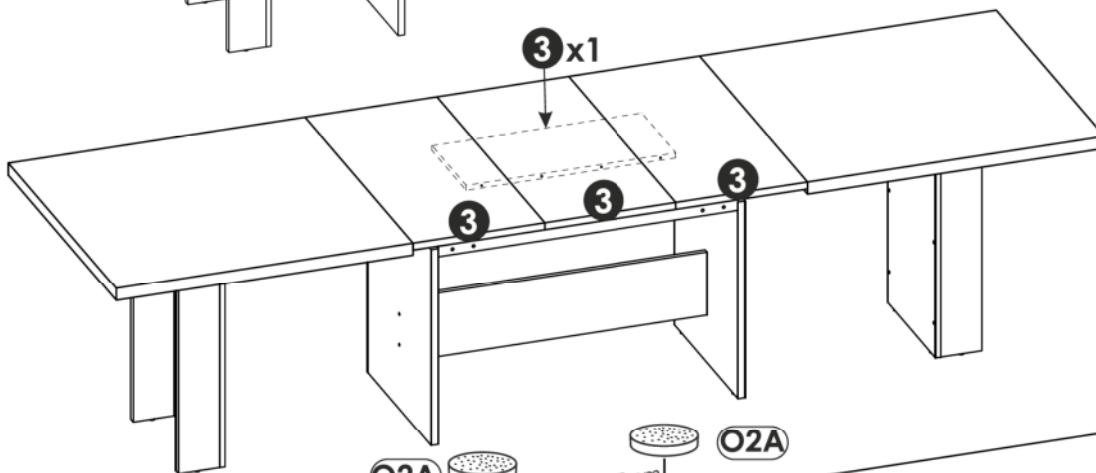
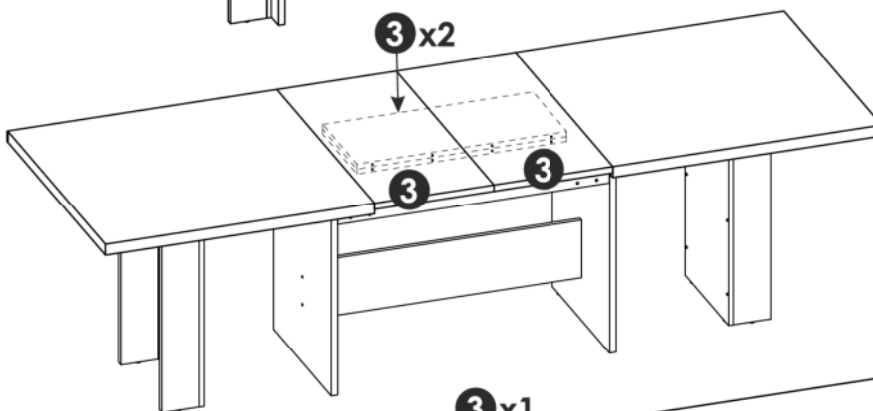
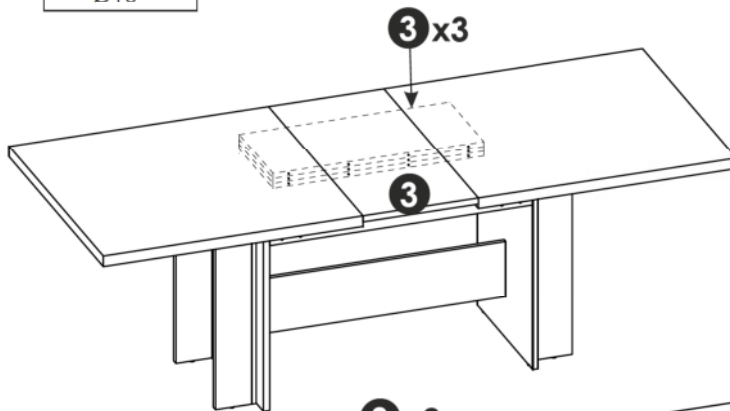
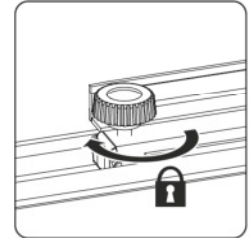
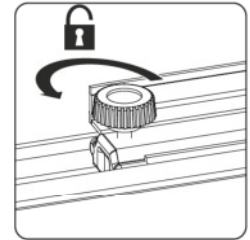
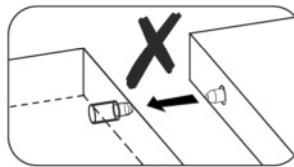
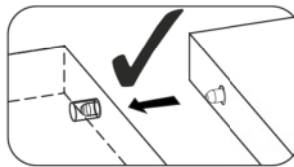
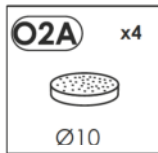
18 ▶



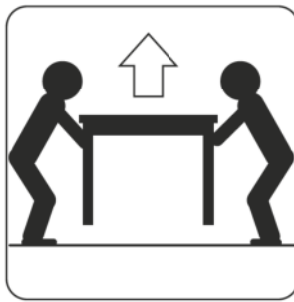
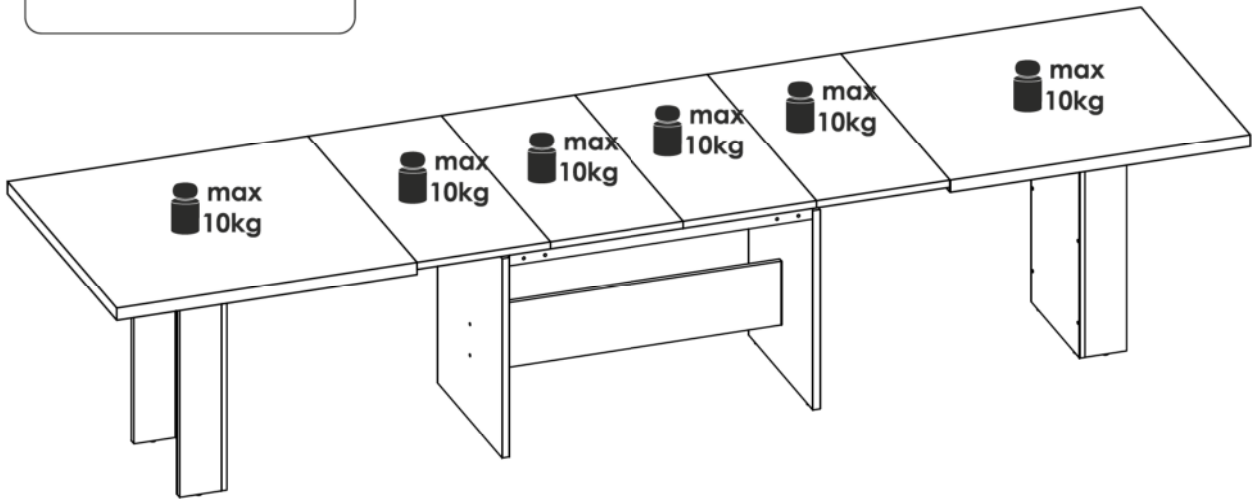
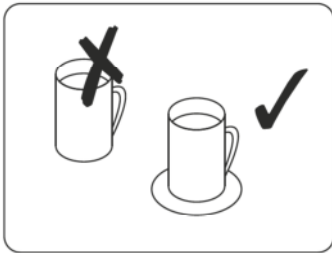
19▶

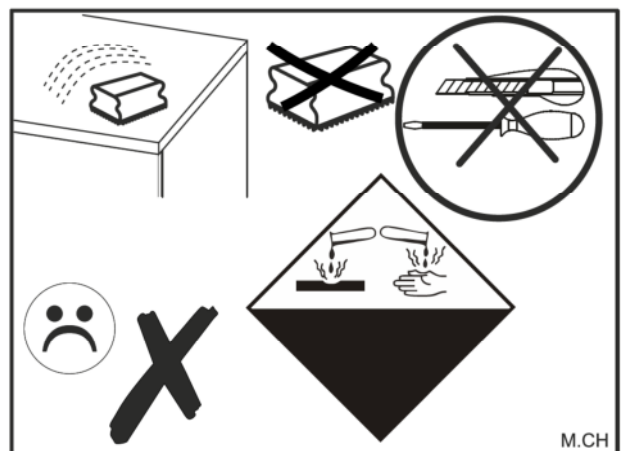
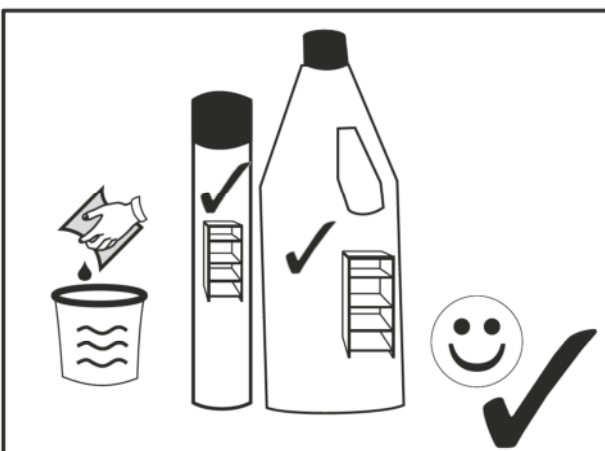
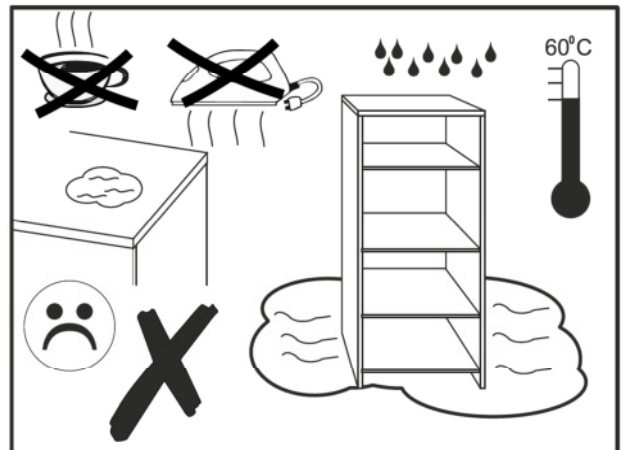
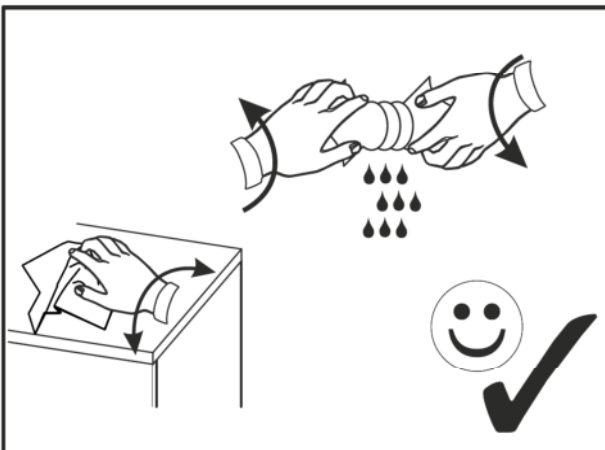
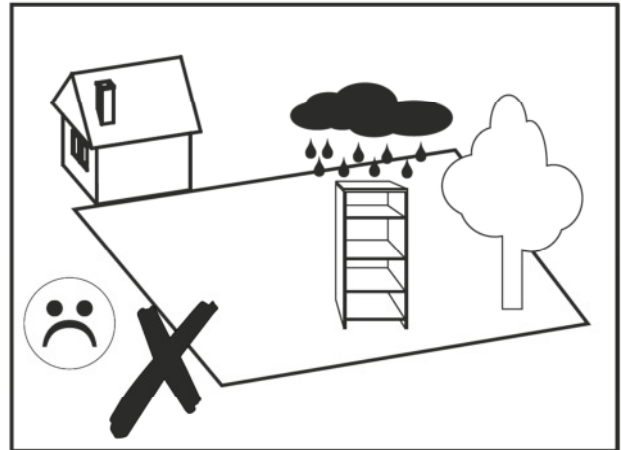
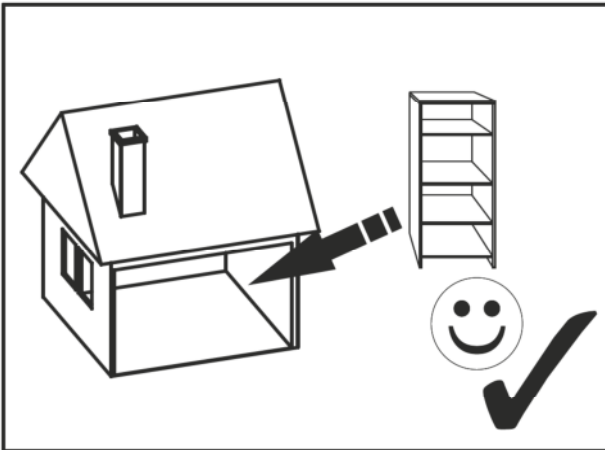


20 ▶



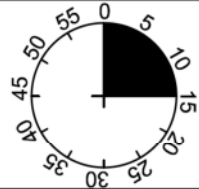
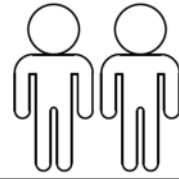
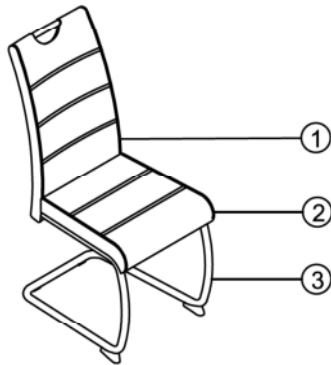
21▶





M.CH

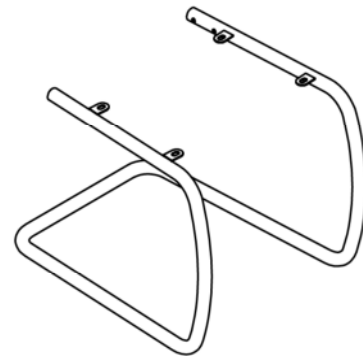
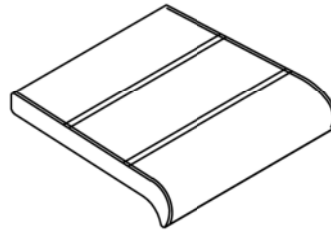
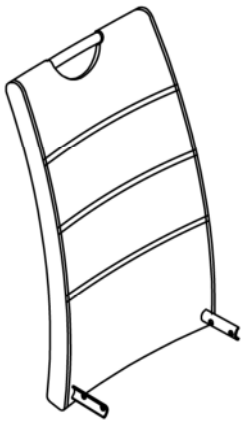
Flora 2+3



1

2

3



| | |
|---|----|
| 1 | 1x |
| 2 | 1x |
| 3 | 1x |

| | | | | | | | | | | | |
|---|-------|---|-------|---|------------|---|------------|---|----|---|-----|
| A | M6x20 | B | M8x20 | C | Ø18xØ8x1.5 | D | Ø18xØ6x1.5 | E | M8 | F | 4MM |
| | 4x | | 4x | | 4x | | 4x | | 4x | | 1x |
| G | 6MM | H | M4x20 | I | | | | | | | |
| | 1x | | 4x | | 2x | | | | | | |

| | | |
|--------------------|--|--|
| <p>I.</p> <p>1</p> | | <p>H M4x20 4x</p> <p>I 2x</p> <p>100%</p> |
| <p>2</p> | | <p>B M8x20 4x</p> <p>C Ø18xØ8x1.5 4x</p> <p>E M8 4x</p> <p>G 6MM 1x</p> <p>75%</p> |
| <p>3</p> | | <p>A M6x20 4x</p> <p>D Ø18xØ6x1.5 4x</p> <p>F 4MM 1x</p> <p>75%</p> |
| <p>4</p> | | <p>F 4MM 1x</p> <p>G 6MM 1x</p> <p>100%</p> |
| | | |