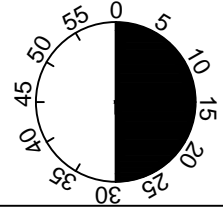
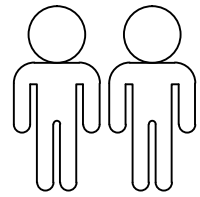
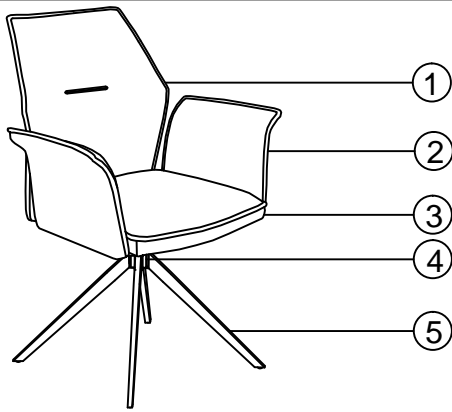
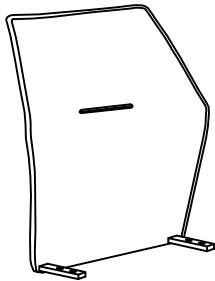


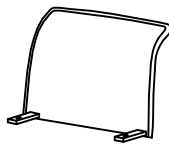
# Susanne



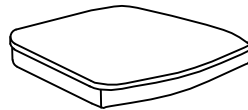
1



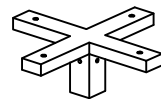
2



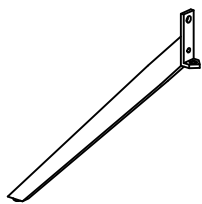
3



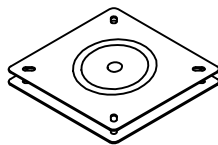
4



5

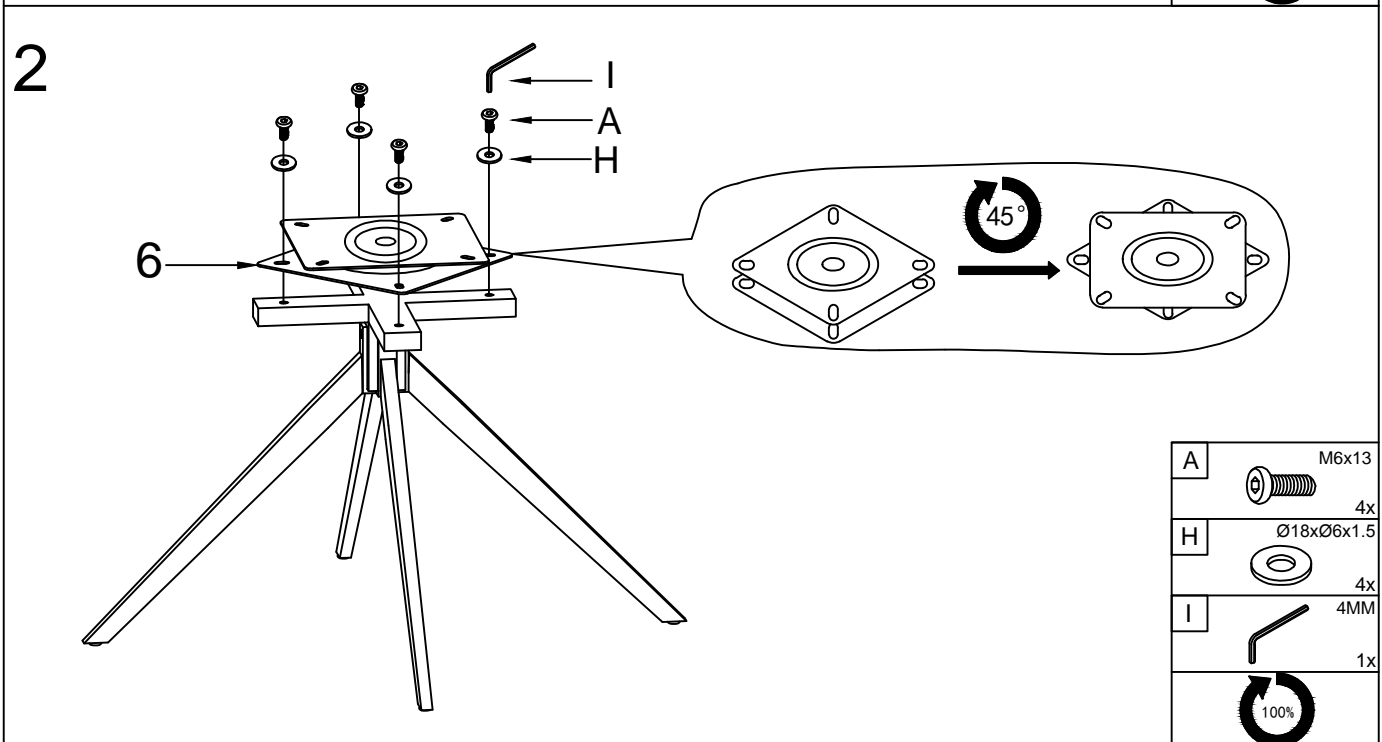
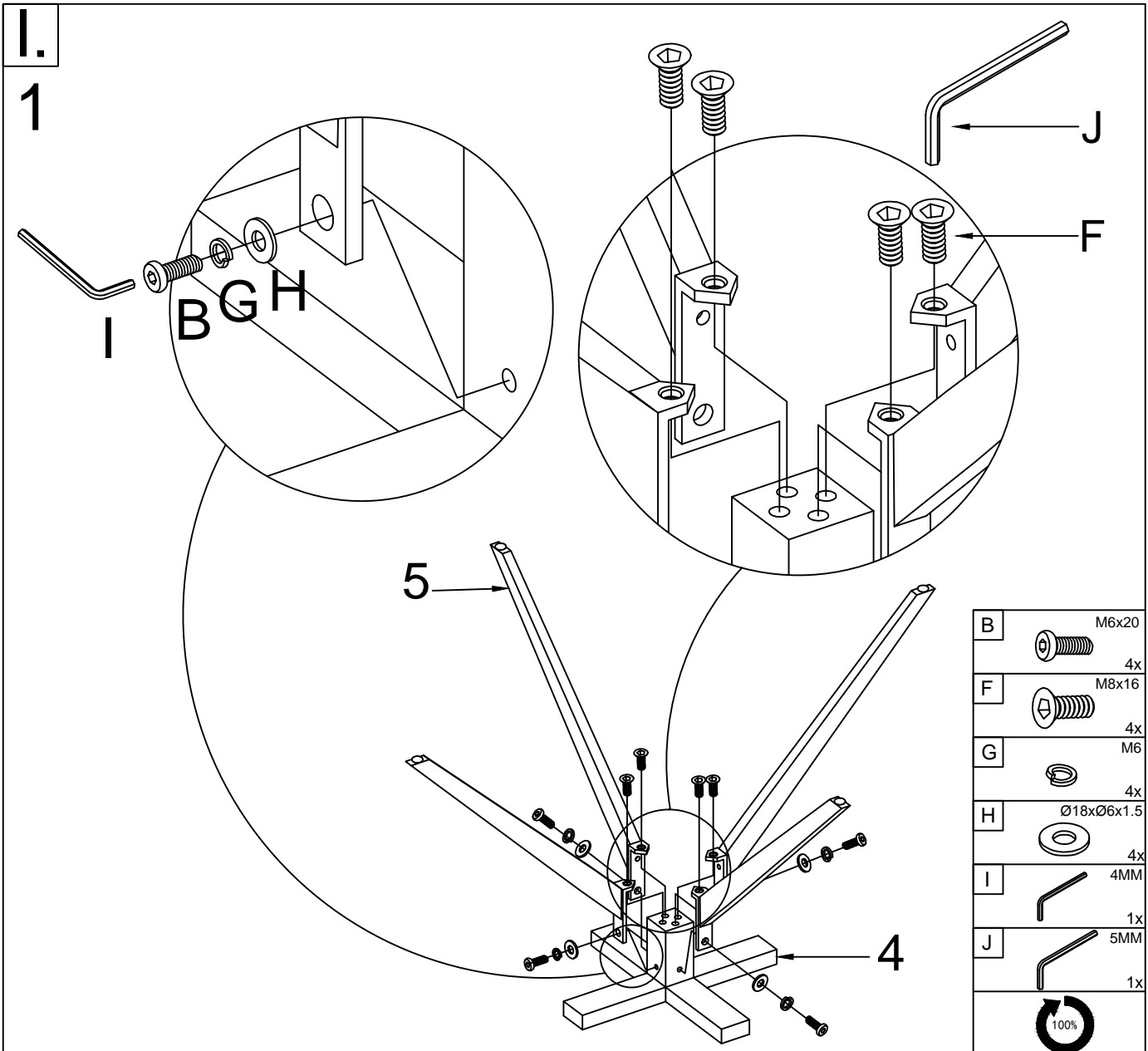


6



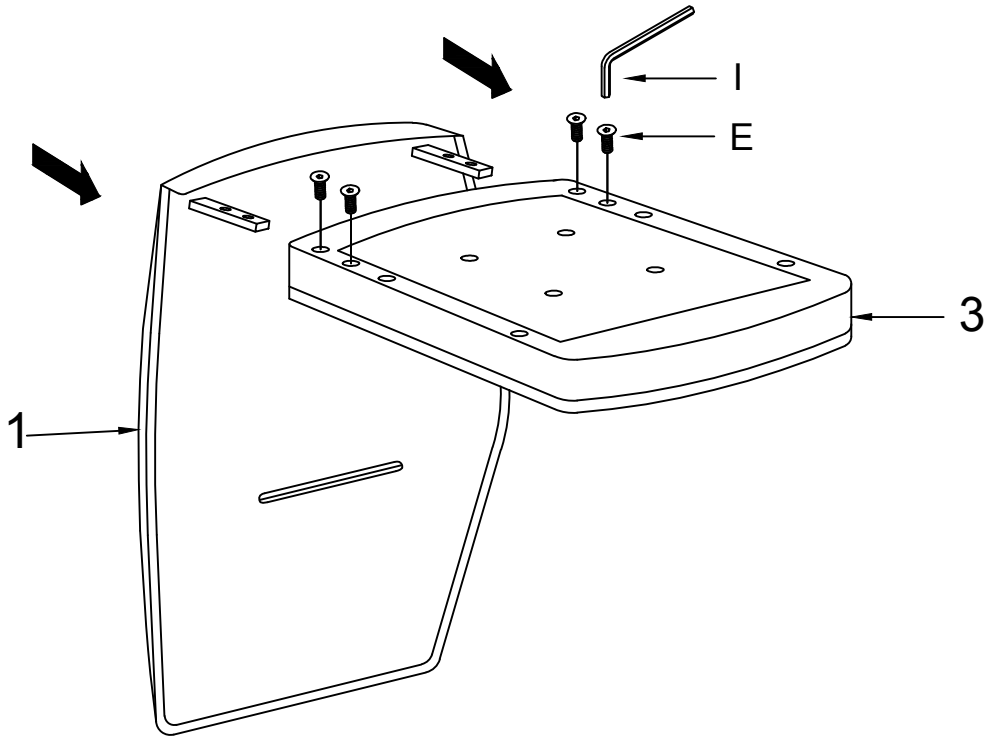
1	1x	1/2
2	2x	1/2
3	1x	1/2
4	1x	2/2
5	4x	2/2
6	1x	2/2

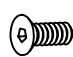


A	M6X13	B	M6X20	C	M6X25	D	M6X30	E	M6X12	F	M8X16
4x		6x		4x		2x		4x		4x	
G	M6	H	Ø18xØ6x1.5	I	4MM	J	5MM	K	Ø18xØ8x10		
8x		16x		1x		1x		2x			



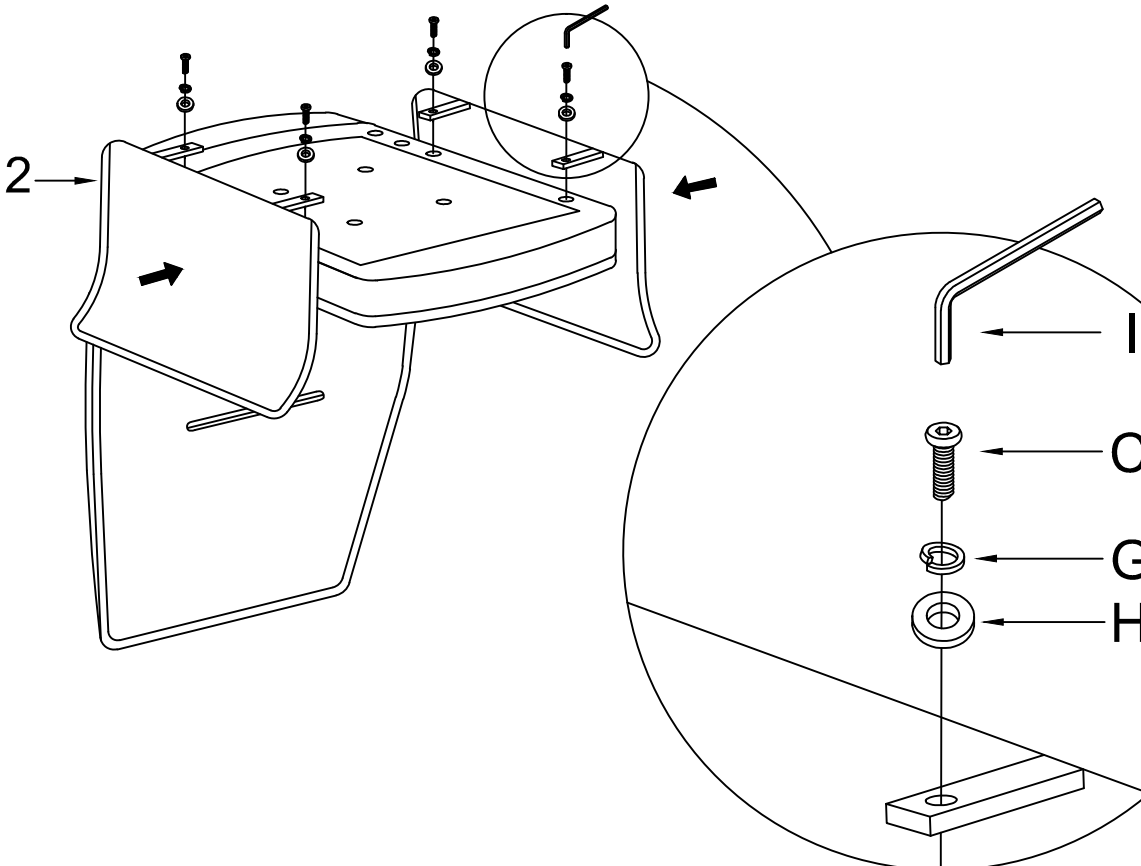
II.






3



E		M6x12
		4x
I		4MM
		1x
		

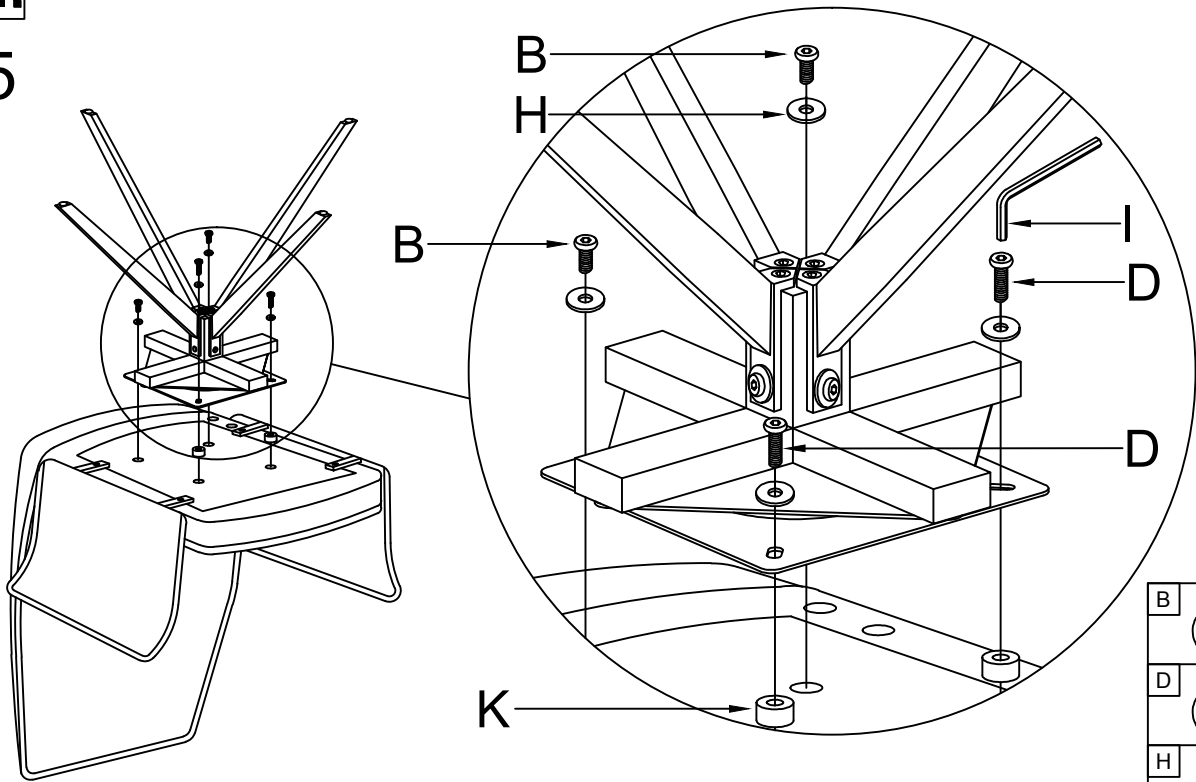
4











C		M6x25
		4x
G		M6
		4x
H		Ø18xØ6x1.5
		4x
I		4MM
		1x
		

III.

5



B	M6X20
	2x
D	M6X30
	2x
H	Ø18xØ6x1.5
	4x
I	4MM
	1x
K	Ø18xØ8x10
	2x
	
I	4MM
	1x
	

6

