



Discovery Woodland Treehouse Assembly Instructions

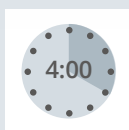
Cabane dans les arbres
Instructions de montage

Casa de árbol
Instrucciones de montaje

Casetta sull'albero
Istruzioni di montaggio

Baumhaus
Montageanleitung

27622AA69



plumplay

EN Thank you for purchasing from Plum®
Plum® are the playtime specialists providing the fuel for imaginations to flourish. For over 30 years we've been inspiring fun across the globe. We are passionate about encouraging play in a fun yet safe environment, allowing children freedom of play and parents peace of mind.

FR Nous vous remercions d'avoir acheté un produit Plum®
Spécialiste du divertissement, Plum® propose des produits ludiques visant à stimuler l'imagination des enfants. Depuis plus de 30 ans, le jeu et le divertissement sont au cœur de notre activité. Nous avons pour vocation de favoriser le jeu dans un environnement amusant et sûr, en offrant un espace amusant pour les enfants et la tranquillité d'esprit aux parents.

ES Gracias por comprar productos de Plum®
Plum®, especializada en actividades de ocio, da alas a la imaginación de los niños. Durante más de 30 años fomentamos la diversión en todo el mundo. Nos apasiona que los niños jueguen en un entorno divertido pero seguro, dotándoles a ellos de la libertad que necesitan y a los padres de la tranquilidad que buscan.

IT Grazie per aver acquistato da Plum®
Plum® è lo specialista dei giochi che nutrono l'immaginazione. Da più di 30 anni siamo fonte di divertimento in tutto il mondo. Ci appassiona incoraggiare l'attività ludica in un contesto sicuro e al tempo stesso divertente, dove i bambini sian liberi di giocare e i genitori possano stare tranquilli.

DE Danke, dass Sie bei Plum® eingekauft haben
Plum® sind die Spezialisten für Spielsachen. Wir sorgen dafür, dass sich die Fantasie Ihrer Kinder frei entfaltet. Seit über 30 Jahren sorgen wir überall auf der Welt dafür, dass Kinder Spaß haben. Wir lieben es, Kinder in einem spaßigen und dennoch sicheren Umfeld zum Spielen zu bringen. Dies sorgt bei Kindern für freien Spielspaß und bei Eltern für ein ruhiges Gewissen.

كئارش ل آرکش
Plum® AR تاجت نم
يف ةصصختم ةركش Plum® دع
ريوطت ل ل ي دؤت ي ت ل ل باع ل ل
يف ةحرف ل ل رشن ن ح ن . ل ليخت ل ل
أم اع 30 نم رثك أ رادم ي ل ع ه ل ك م ل اع ل
باع ل ل ع ي ج ش ت ل ن و س م ح ت م ن ح ن
ام م ة ن م آ ه ن ك ل و ل ع ت م م ة ي ب ي ف
ح ن م ي و ب ع ل ل ل ا ي ر ح ل ا ف ط أ ل ح ن م ي
ل ا ب ل ا ة ح ا ر م ه ا ب

PL Dziękujemy za dokonanie zakupu od Plum®
Plum® to eksperci od zabawy wspomagający rozwój dziecięcej wyobraźni. Od ponad 30 inspirujemy do zabawy małych mieszkańców całego globu. Nasza pasją jest zachęcanie do zabawy w przyjaznym, bezpiecznym otoczeniu. Dzieciom zapewniamy swobodę zabawy, a rodzicom – spokój ducha.

SV Tack för att du handlar från Plum®
Plum® är lekspecialisterna som låter fantasin blomma. Under över 30 år har vi inspirerat lek och glädje världen över. Vi vill uppmuntra lek i en rolig men ändå säker miljö, som ger

barnen frihet och låter föräldrarna slippa oro.

NL Bedankt dat u een product van Plum® hebt gekocht
Plum® is dé speelgoed specialist die alle dromen werkelijkheid laat worden. We zorgen al meer dan 30 jaar wereldwijd voor veel plezier. We stimuleren kinderen graag om te spelen in leuke maar veilige omgevingen. Wij bieden kinderen vrijheid en ouders rust.

CZ Děkujeme vám, že nakupujete u firmy Plum®
Firma Plum® se specializuje na volný čas, dodává křídla fantazii a přivádí ji k rozkvětu. Inspirujeme zábavu na celém světě už plných 30 let. Naší vášní je povzbuzovat děti k zábavným hrám v bezpečném prostředí, které jim poskytuje svobodu při hře a rodičům klid a jistotu.

SK Ďakujeme, že ste si kúpili výrobok od spoločnosti Plum®
Plum® je špecialistom na hru a podporuje zdravý rozkvet predstavivosti. Viac ako 30 rokov inšpirujeme svet zábavou. Našou vášňou je podporovať hru v bezpečnom prostredí, kde sa môžu deti slobodne hrať a rodičia sa o ne nemusia obávať.

DA Tak, fordi du købte et produkt fra Plum®
Plum® er specialister inden for leg og får fantasien til at stråle. I mere end 30 år har vi været inspiration for sjov over hele kloden. Det ligger os meget på hjerte at få børn til at lege i et sjovt og sikkert miljø, hvor de har frihed til at lege og forældrene ro i sindet.

HU Köszönjük, hogy Plum® termékét vásárolt!
A Plum® a játékok szakértője, szárnyakat ad a gyermekek képzelőerejének. Már több mint 30 éve inspiráljuk a vidám játékok az egész világon. Szenvedélyünk a játszás ösztönzése egy vidám és biztonságos környezetben, amely a játék szabadságát adja a gyermekeknek és nyugalmat a szülőknek.

TR Plum® ürünün aldığınız için teşekkür ederiz
Plum®, hayal gücünün gelişmesi için gerekli yakıtı sağlayan oyun zamanı uzmanıdır. 30 yıldan uzun süredir dünya üzerinde eğlence konusunda ilham kaynağıyız. Eğlenceli ama aynı zamanda güvenli ortamlarda oyun oynamaı teşvik ederek çocuklara oyun oynama özgürlüğü, anne-babalara da zihin rahatlığı sağlıyoruz.

EL Σας ευχαριστούμε που προτιμήσατε την Plum®
Η Plum® ειδικεύεται στους χώρους παιχνιδιού με στόχο την ανάπτυξη της φαντασίας. Εδώ και παραπάνω από 30 χρόνια, εμπνέουμε την ψυχαγωγία σε όλον τον πλανήτη. Πάθος μας είναι να ενθαρρύνουμε το παιχνίδι σε ένα ψυχαγωγικό αλλά και ασφαλές περιβάλλον, παρέχοντας ελευθερία στα παιδιά και ηρεμία στους γονείς τους.

ZH 感谢您购买Plum®产品
Plum®是专家级玩具品牌，我们用玩具激发孩子们的无限想象。超过30年以来，我们在全球各地给孩子们带来快乐。我们极其重视在既有趣味性又注重安全的环境中鼓励孩子们参与玩乐，给孩子们自由自在的玩耍空间，同时也免去家长对孩子安全的担忧。

IS Þakka þér fyrir að versla við Plum®
Plum® eru leikjasérfræðingar sem útvega eldsneytið sem fær ímyndunaraflíð til að blómstra. Í meira en 30 ár höfum við hvatt til skemmtunar um allan heim. Við höfum ástríðu fyrir að hvetja til leiks í skemmtilegu, öruggu umhverfi, sem veitir börnunum frelsi til að leika sér og foreldrum hugarró.
FI Kiitos, että ostit Plum®-tuotteen Plum® on leikin ja vapaa-ajan asiantuntijayritys, joka tarjoaa kasvualueen mielikuvitukselle. Olemme innostaneet ihmisiä hauskanpitoon kaikkialla maailmassa jo 30 vuoden ajan. Meille on tärkeää kannustaa leikkimiseen hauska ja turvallisessa ympäristössä, jossa lapset voivat leikkiä vapaasti ja aikuiset olla rauhallisin mielin.

ES Gracias por comprar productos de Plum®
Plum®, especializada en actividades de ocio, da alas a la imaginación de los niños. Durante más de 30 años fomentamos la diversión en todo el mundo. Nos apasiona que los niños jueguen en un entorno divertido pero seguro, dotándoles a ellos de la libertad que necesitan y a los padres de la tranquilidad que buscan.

LP プラムをご利用いただき、誠にありがとうございました。
プラムは創造力を膨らませる支援をする遊びのスペシャリストです。30年にわたり世界中で、楽しさを提供してきました。子供たちが自由に遊べ、親は安心できるように、楽しく安全な環境で遊ぶように熱意を持って推奨しています。

NO Takk for at du kjøpte fra Plum®
Plum® er laget av lekespesialister som hjelper fantasien å blomstre. I over 30 år har vi inspirert til moro over hele verden. Vi har et sterkt ønske om å oppmuntre til lek i et morsomt, men trygt miljø, slik at barn får leke fritt mens foreldrene ser at de er trygge.

PT Obrigado por comprar na Plum®
A Plum® é a especialista em diversão que proporciona o incentivo para o desenvolvimento da imaginação. Há mais de 30 anos que inspiramos a diversão em todo o mundo. Somos apaixonados por incentivar a diversão num ambiente divertido, mas seguro, oferecendo às crianças a liberdade para brincar e aos pais toda a tranquilidade.

RO Vă mulțumim pentru cumpăraturile făcute la Plum®
Compania Plum® este specializată în articole recreative, stimulând dezvoltarea imaginației. De peste 30 de ani, oferim inspirație pentru distracție în întreaga lume. Încurajăm cu pasiune joaca într-un mediu distractiv și sigur în același timp, asigurându-le copiilor libertate de manifestare, iar părinților, liniște sufletească.

RU Благодарим за покупку продукта Plum®
Компания Plum® специализируется на игровой индустрии и создает условия для развития воображения. Уже более 30 лет мы дарим радость людям по всему миру. Мы стараемся вдохновлять их на веселые игры в безопасной среде, дарим детям свободу, а родителям — спокойствие.

To ensure the safety of you, the installer and your children, it is important that these instructions are read fully before commencing the positioning and installation of this product.

Timber Advice

This product has been made from premium timber. Great care has been taken in selecting, treating and machining the timber before it is presented to you. Timber is a natural product and as such may experience changes throughout the course of its life. This means it may:

- Develop openings (gaps, slits, apertures, cracks, splits) along the line of the grain. These openings are due to the difference in moisture content between the internal and outer surfaces of the timber. This is to be expected, is totally acceptable and will not affect the integral strength, life or guarantee of the product.
- Warp and distort its shape. Any distortion will be slight and will not affect the safety or enjoyment of this product.
- Fade as the timber reacts with sunlight. The timber should be treated with a proprietary product to act as a protective barrier, i.e. a water repellent, on an annual basis.
- After first year of service treat product with a good quality treatment safe for children's use.

Biocidal Products Regulations EU 528/2012

Wolmanit Cx-10 treated wood is a treated article that incorporates biocidal products: Copper hydroxide carbonate/III/boric acid. They protect wood against decay/rot/insect attack. Keep away from food, drink and animal feeding stuffs.

Routine Maintenance

During long periods of non use (particularly during the winter) it is suggested that attachments such as swings are dismantled and stored in a dry environment. This will prolong the life of such attachments.

WARNING!

Minimum user age 3+ years • Adult assembly required • Adult supervision required at all times • Only for domestic use • Outdoor use only • Not suitable for children under 36 months: small parts - choking hazard, hemispheric shapes – suffocation hazard • Not suitable for children under 36 months – fall hazard • Retain assembly instruction for future use • Place on a level surface at least 2m from any structure or obstruction such as fence, garage, house, overhanging branches, laundry lines or electrical wires • Must not be installed over concrete, asphalt or any other hard surface • It is advised that on a regular basis (i.e. at the beginning of the season and monthly thereafter) all main parts/fixings are checked as secure, well oiled (if metallic), have no sharp points/edges and are intact. Replace, oil and/or tighten when necessary. Failure to do so may result in an injury or hazard • Any attachments such as swings, chains, ropes, etc must be regularly examined for evidence of deterioration. Replace any attachments if there are signs of deterioration. Failure to do so may result in an injury or hazard • Please keep animals at a safe distance from this product • Do not place the material in the mouth • Wash hands after use • Warning: In predisposed subjects, it may cause allergic reactions • Maximum load on beam 20kg • Maximum user weight 50kg • It may be appropriate to ensure that the slide is not facing the main direction of the sun to prevent the surface being uncomfortably warm • Do not overtighten nuts and screws as this may cause them to shear and potentially cause structural failure • Please do not make any modifications to the product, it may result in an injury or hazard • Warning. Not suitable for children under 36 months. Long cord/ Long chain. Strangulation hazard.

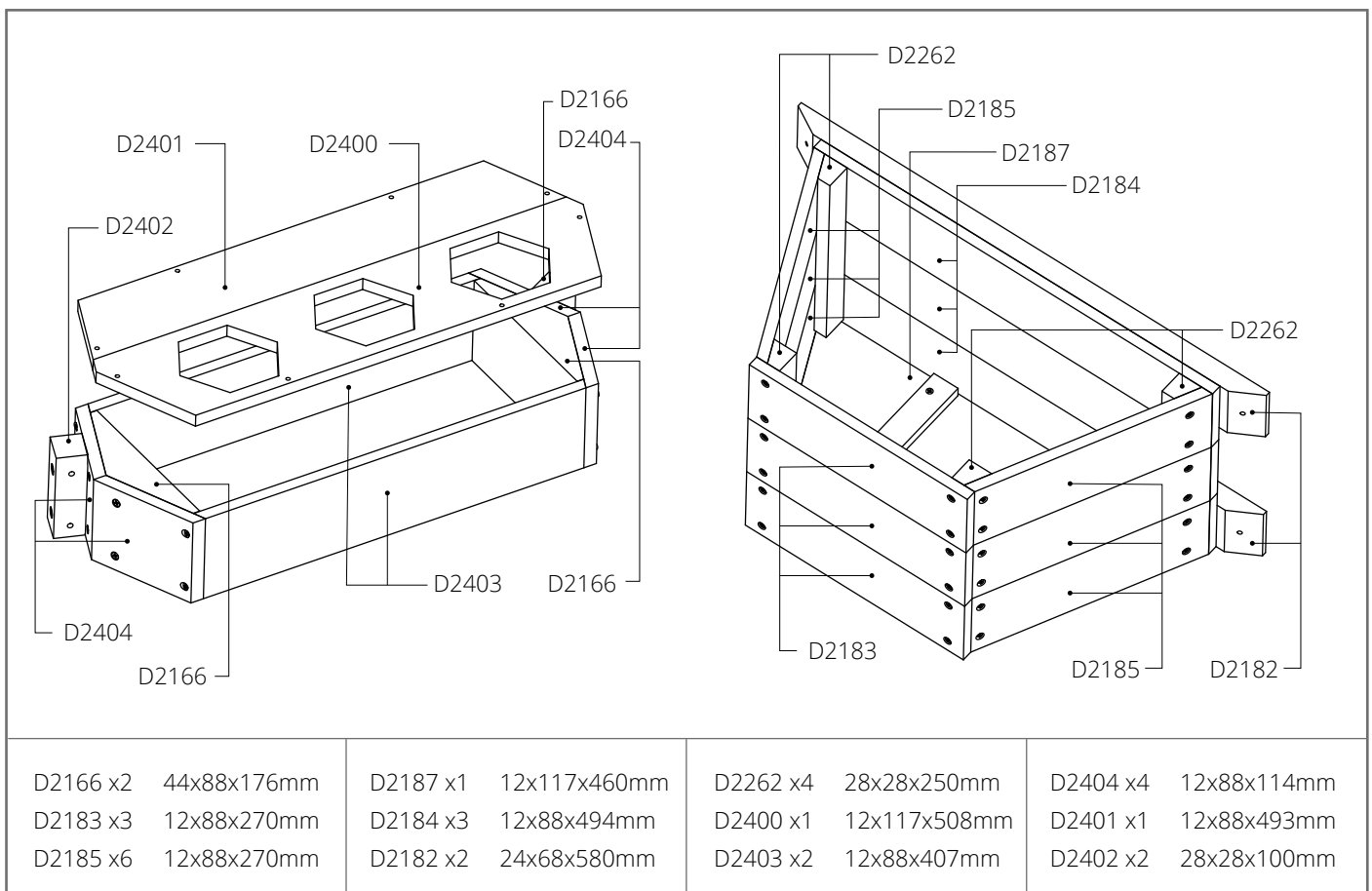
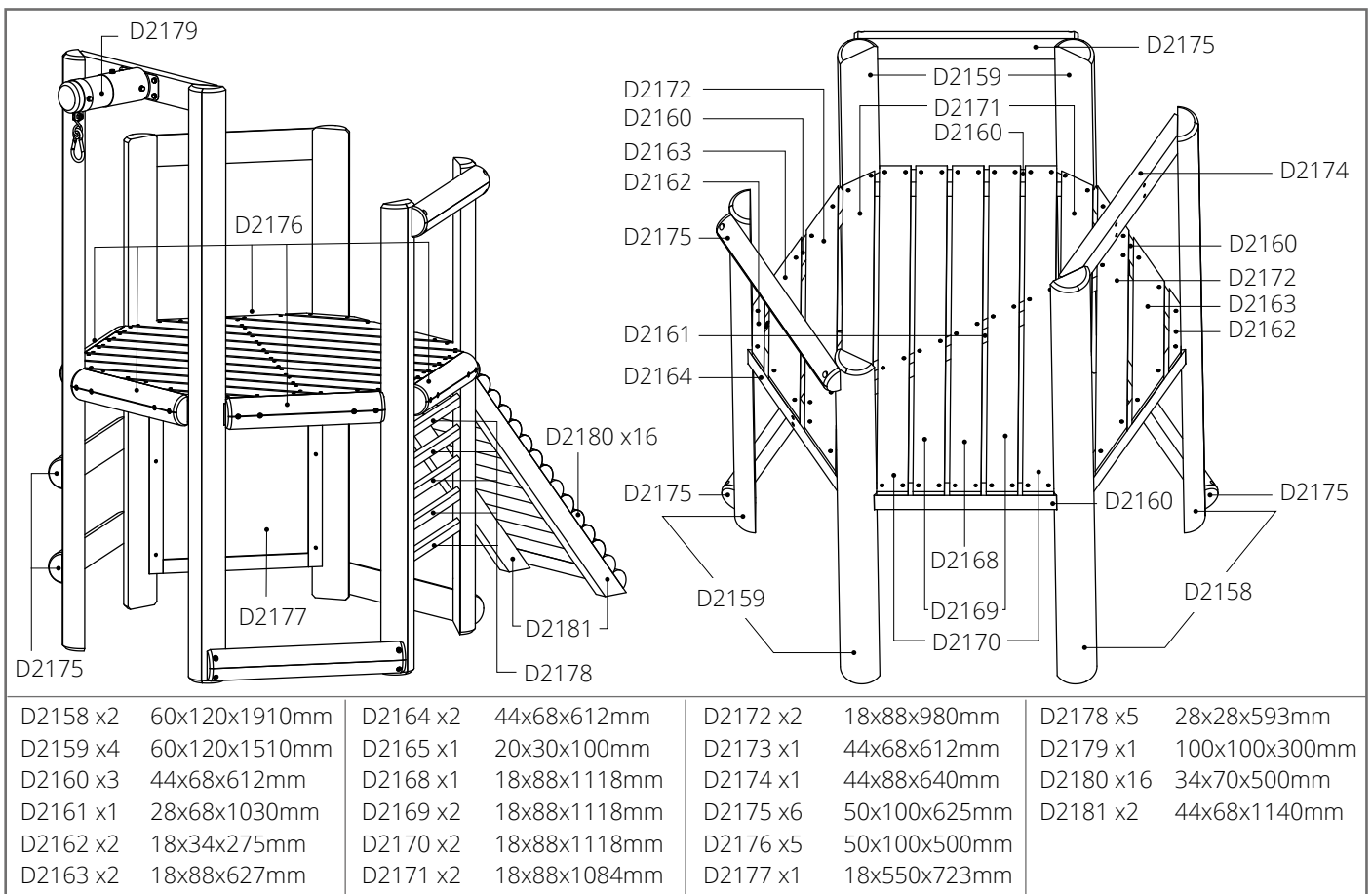
Register online now for your extended warranty!*






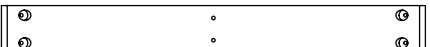
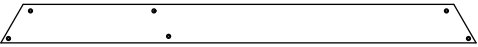


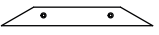




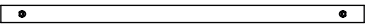
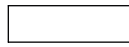
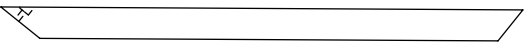


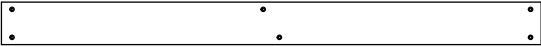




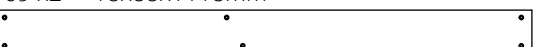
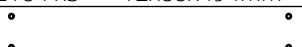
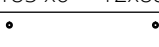
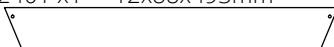
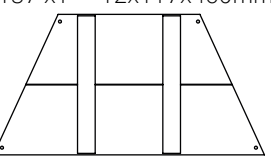
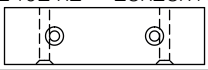
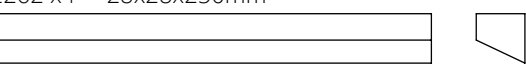
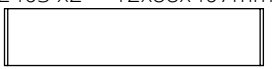
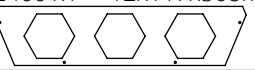
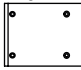

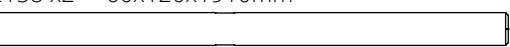



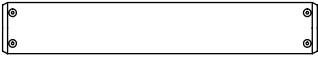
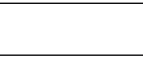

Visit our website at: www.plumplay.co.uk/register
Warranty Number: 27622AA69




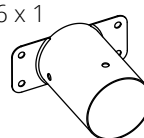
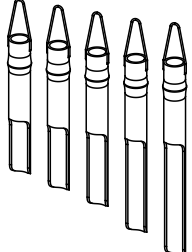



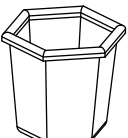



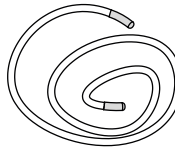


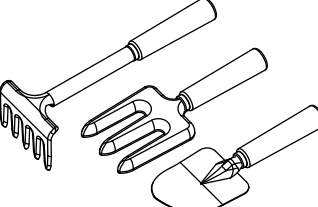
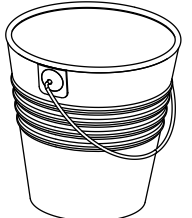




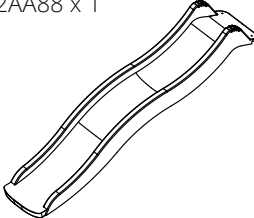
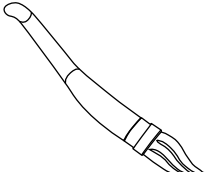
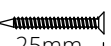



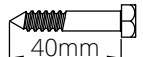


*UK only

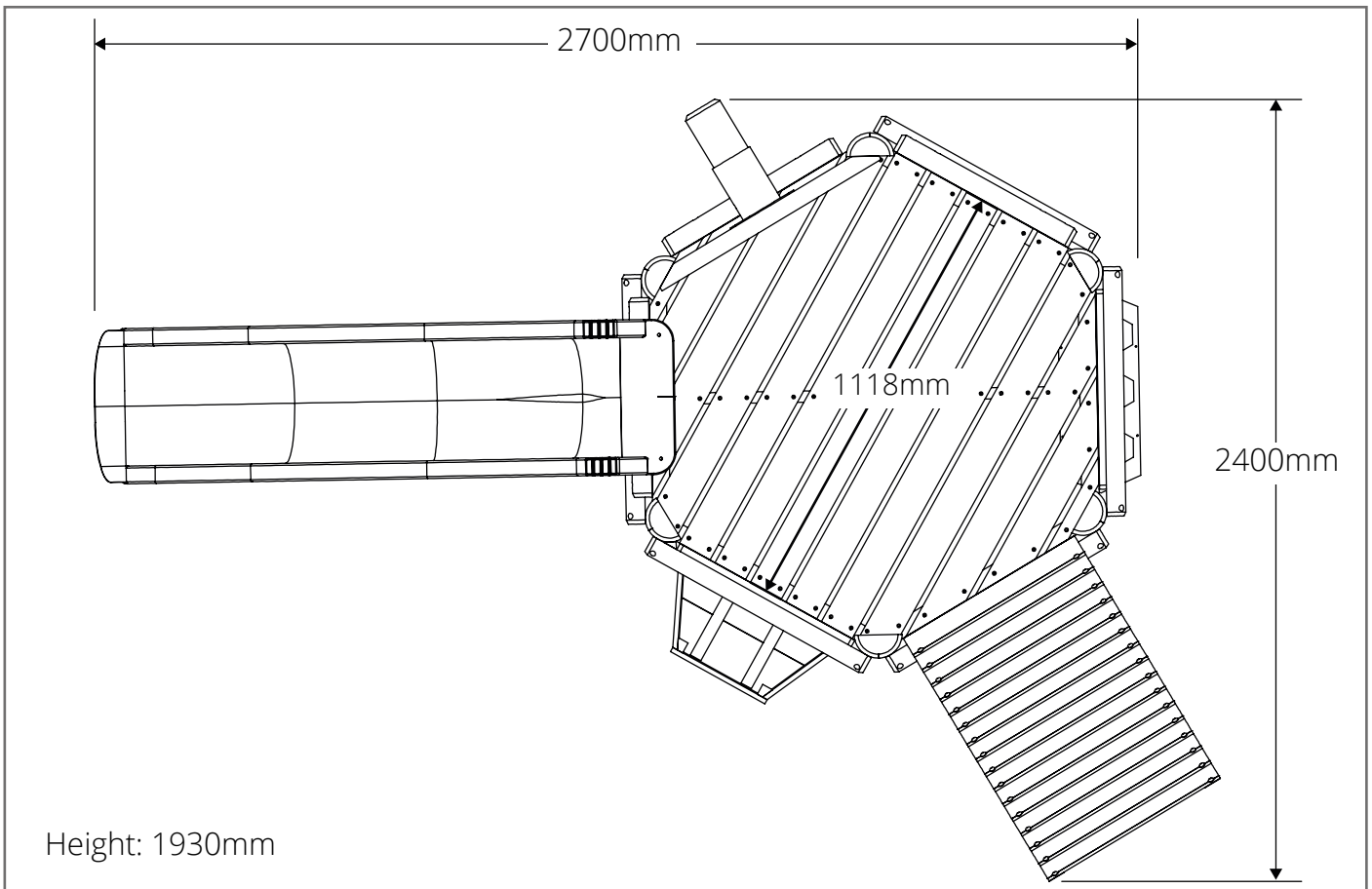




	D2159 x4 60x120x1510mm 	
	D2158 x2 60x120x1910mm 	D2170 x2 18x88x1118mm 
	D2160 x3 44x68x612mm 	D2171 x2 18x88x1084mm 
	D2161 x1 28x68x1030mm 	D2172 x2 18x88x980mm 
	D2162 x2 18x34x275mm 	D2173 x1 44x68x612mm 
	D2163 x2 18x88x627mm 	D2174 x1 44x88x640mm 
	D2164 x2 44x68x612mm 	D2178 x5 28x28x593mm 
	D2165 x1 20x30x100mm 	D2181 x2 44x68x1140mm 
	D2166 x2 44x88x176mm 	D2182 x2 24x68x580mm 
	D2168 x1 18x88x1118mm 	D2183 x3 12x88x270mm 

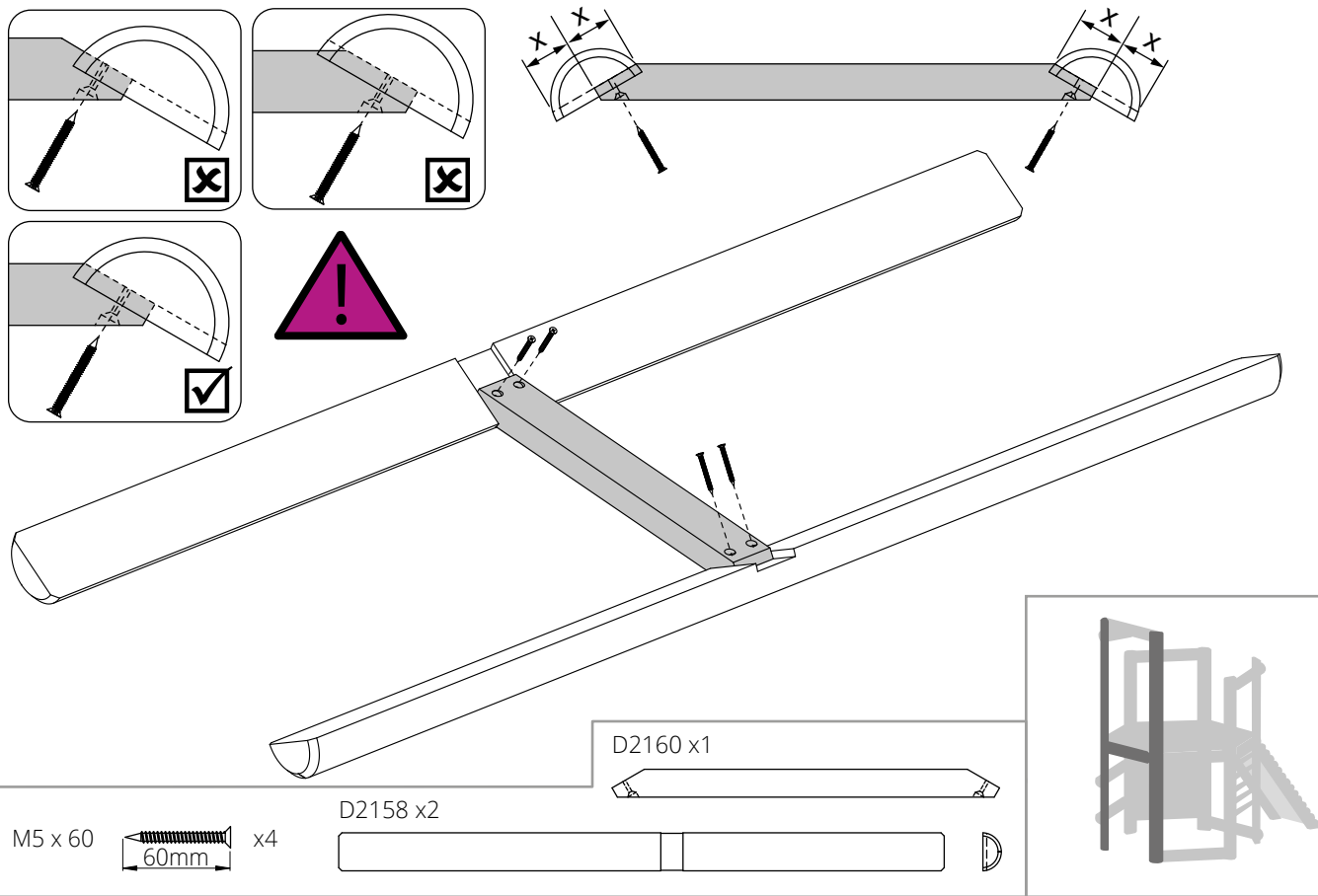
	D2169 x2 18x88x1118mm 	D2184 x3 12x88x494mm 
	D2185 x6 12x88x270mm 	D2401 x1 12x88x493mm 
	D2187 x1 12x117x460mm 	D2402 x2 28x28x100mm 
	D2262 x4 28x28x250mm 	D2403 x2 12x88x407mm 
	D2400 x1 12x117x508mm 	D2404 x4 12x88x114mm 
	D2158 x2 60x120x1910mm 	D2180 x16 34x70x500mm 
	D2176 x5 50x100x500mm 	D2175 x6 50x100x625mm 
	D2179 x1 100x100x300mm 	
	D2177 x1 18x550x723mm	

M5 x 70  x52	M8  x6	M8  x2	H196 x 1 	H182 
M5 x 60  x24	M8  x9	M8  x3 OD 16mm	H185 x 3 	M6  x5 M3.5 x 30  x5
M5 x 40  x78	H188 x 1 			
M4 x 60  x34	H03 x 1 		H183 x 1 	H186 x 1 
M4 x 40  x6	H187 x 1 			
M3.5 x 40  x11	H11 x 4 		23322AA88 x 1 	H195 x 7 
M3 x 25  x80	M6 x 40  x4			
M5 x 60  x2	H17  x4			
M8 x 40  x3	M8 x 70  x2			
M8 x 50  x4				

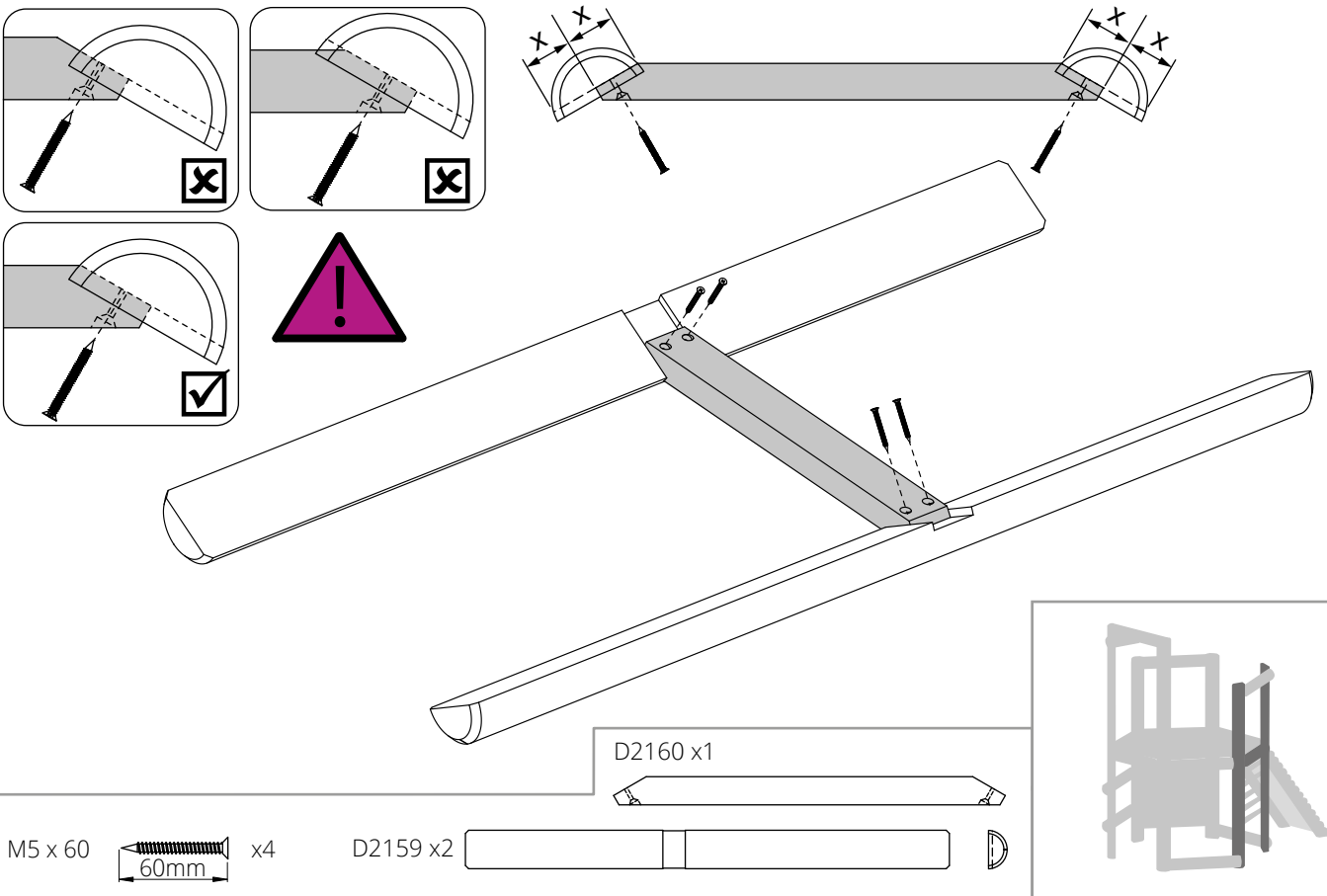





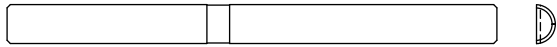
1
2
3
4
5
6
7
8
9
10
11
12
13
14
15
16
17
18
19
20
21
22
23
24
25
26
27
28
29
30
31
32
33
34
35
36
37
38
39
40
41
42
43
44

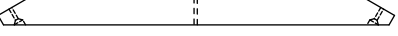


1
2
3
4
5
6
7
8
9
10
11
12
13
14
15
16
17
18
19
20
21
22
23
24
25
26
27
28
29
30
31
32
33
34
35
36
37
38
39
40
41
42
43
44


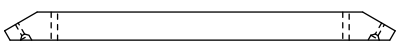


1
2
3
4
5
6
7
8
9
10
11
12
13
14
15
16
17
18
19
20
21
22
23
24
25
26
27
28
29
30
31
32
33
34
35
36
37
38
39
40
41
42
43
44

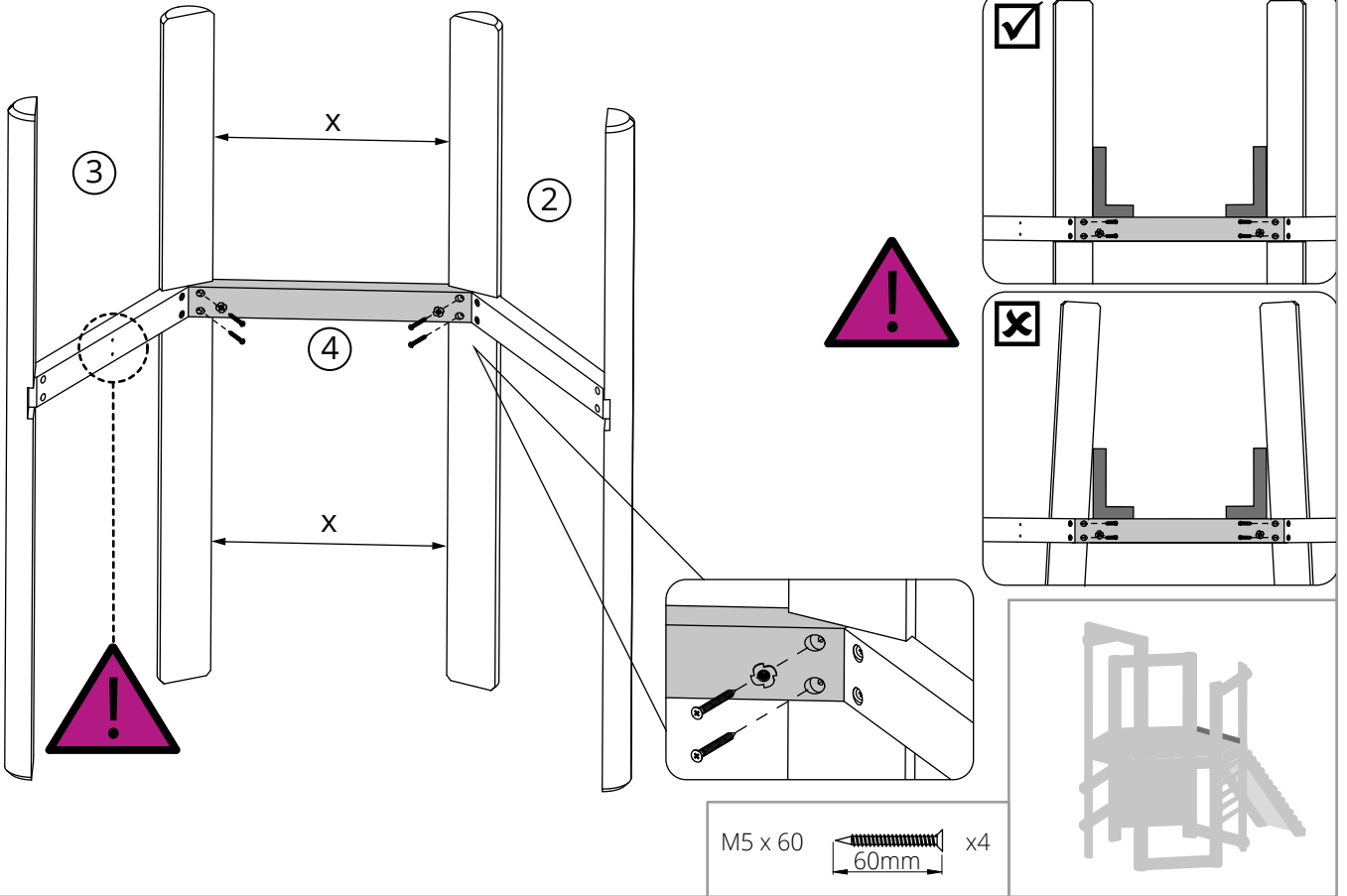
M5 x 60  x4 D2159 x2 

D2164 x1 

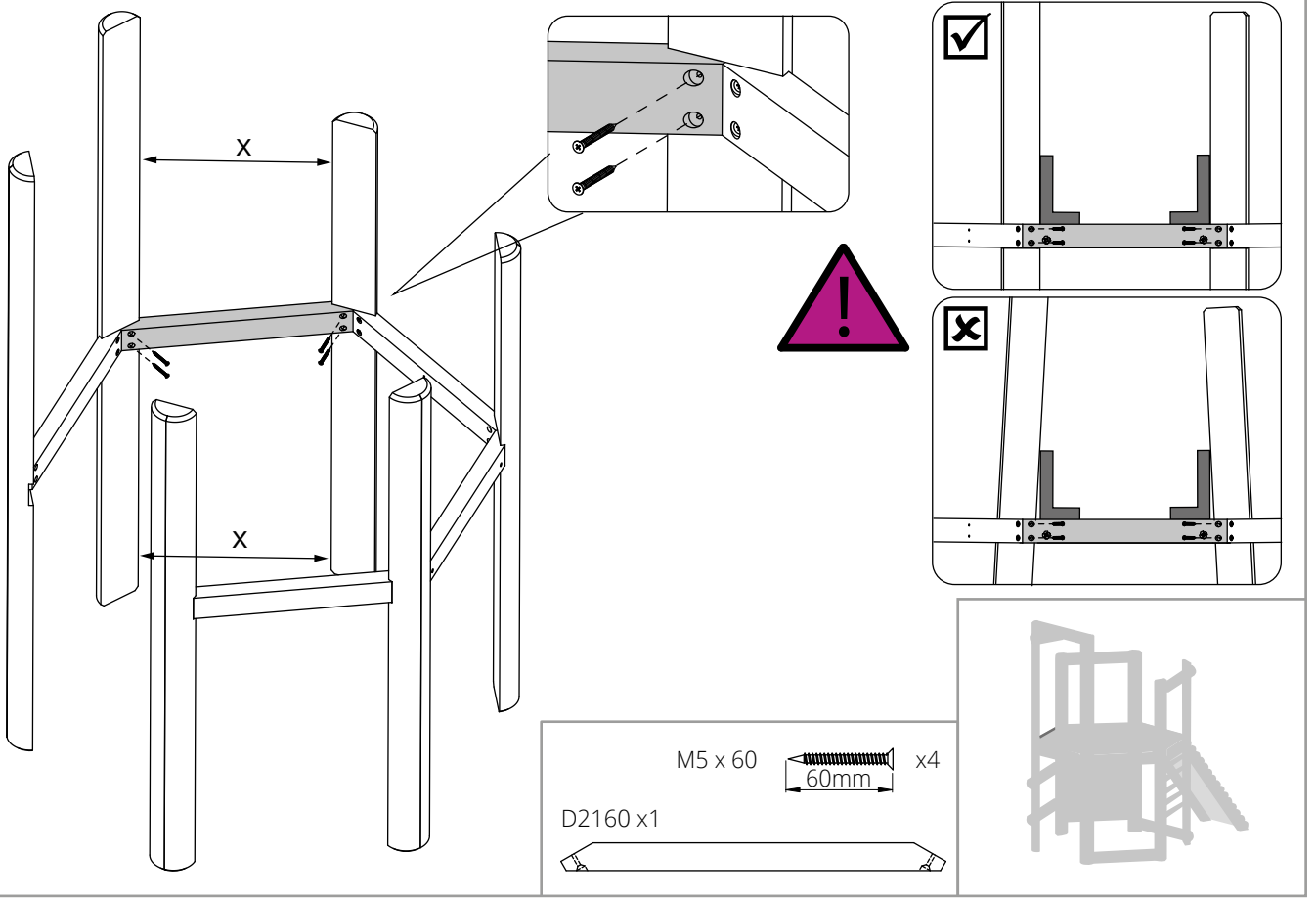
1
2
3
4
5
6
7
8
9
10
11
12
13
14
15
16
17
18
19
20
21
22
23
24
25
26
27
28
29
30
31
32
33
34
35
36
37
38
39
40
41
42
43
44

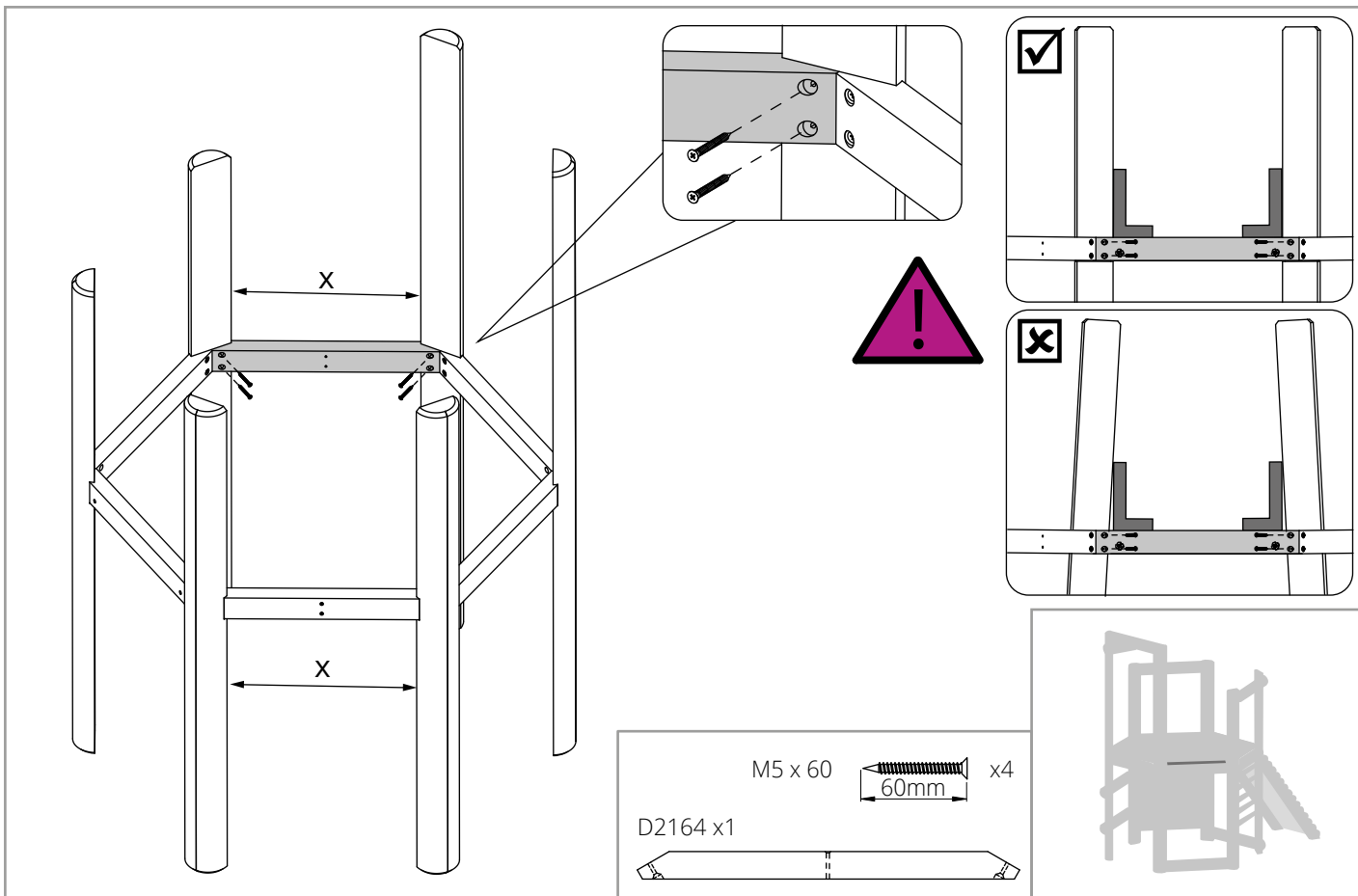
M8  x2 D2173 x1 

1
2
3
4
5
6
7
8
9
10
11
12
13
14
15
16
17
18
19
20
21
22
23
24
25
26
27
28
29
30
31
32
33
34
35
36
37
38
39
40
41
42
43
44

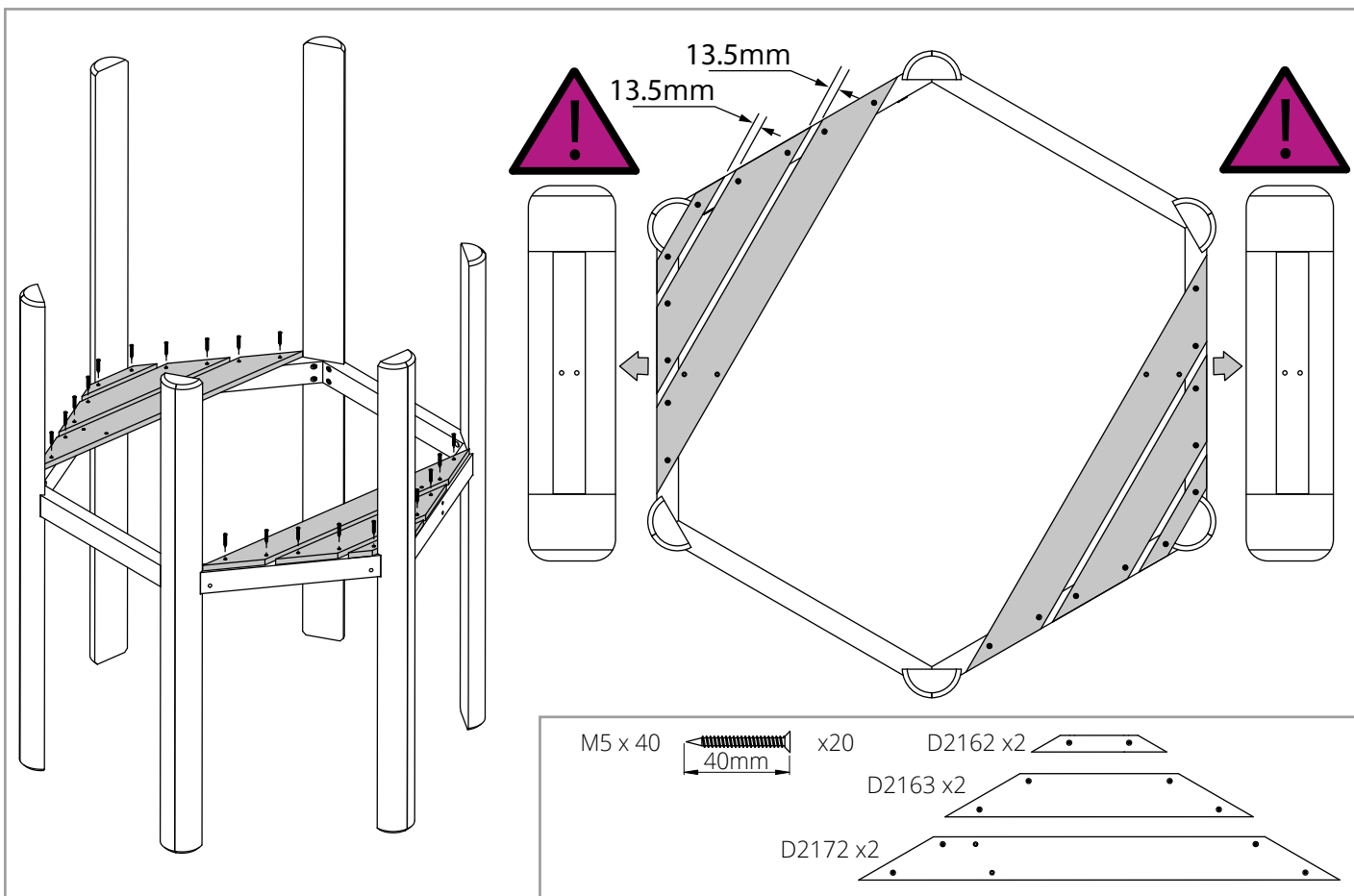


1
2
3
4
5
6
7
8
9
10
11
12
13
14
15
16
17
18
19
20
21
22
23
24
25
26
27
28
29
30
31
32
33
34
35
36
37
38
39
40
41
42
43
44



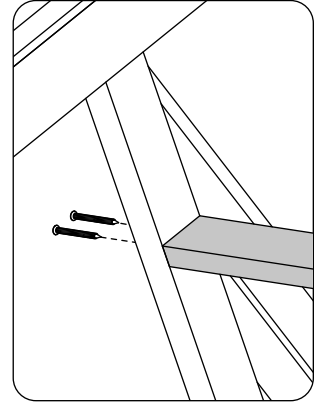
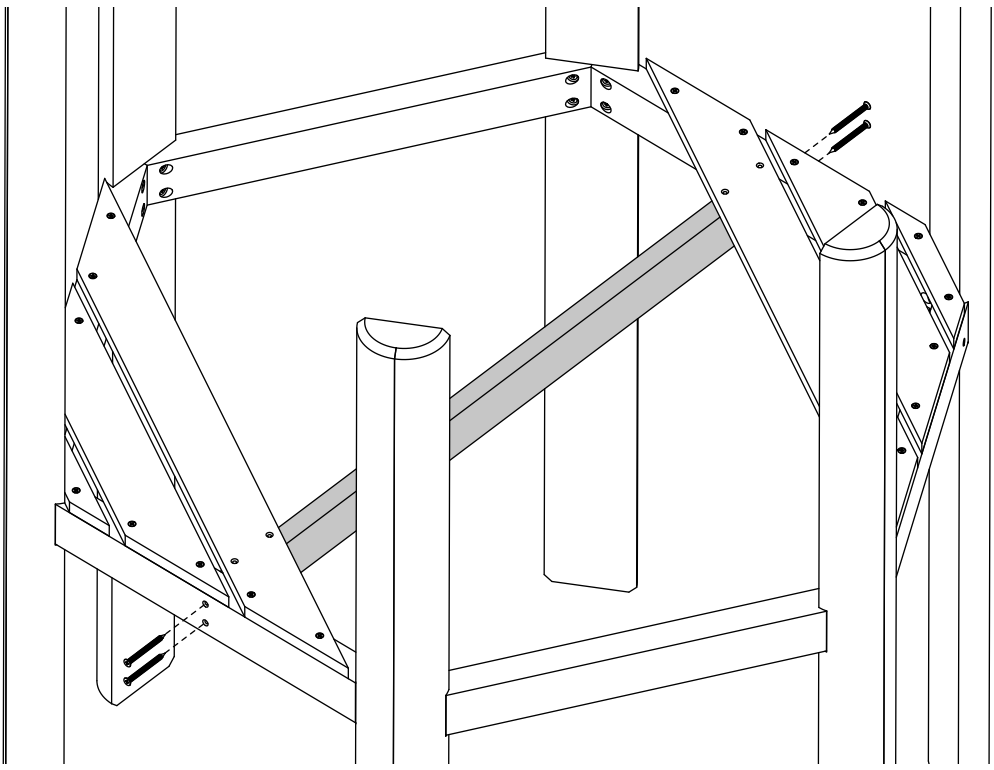



- 1
- 2
- 3
- 4
- 5
- 6
- 7
- 8
- 9
- 10
- 11
- 12
- 13
- 14
- 15
- 16
- 17
- 18
- 19
- 20
- 21
- 22
- 23
- 24
- 25
- 26
- 27
- 28
- 29
- 30
- 31
- 32
- 33
- 34
- 35
- 36
- 37
- 38
- 39
- 40
- 41
- 42
- 43
- 44

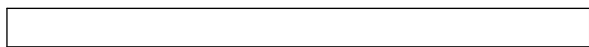


- 1
- 2
- 3
- 4
- 5
- 6
- 7
- 8
- 9
- 10
- 11
- 12
- 13
- 14
- 15
- 16
- 17
- 18
- 19
- 20
- 21
- 22
- 23
- 24
- 25
- 26
- 27
- 28
- 29
- 30
- 31
- 32
- 33
- 34
- 35
- 36
- 37
- 38
- 39
- 40
- 41
- 42
- 43
- 44

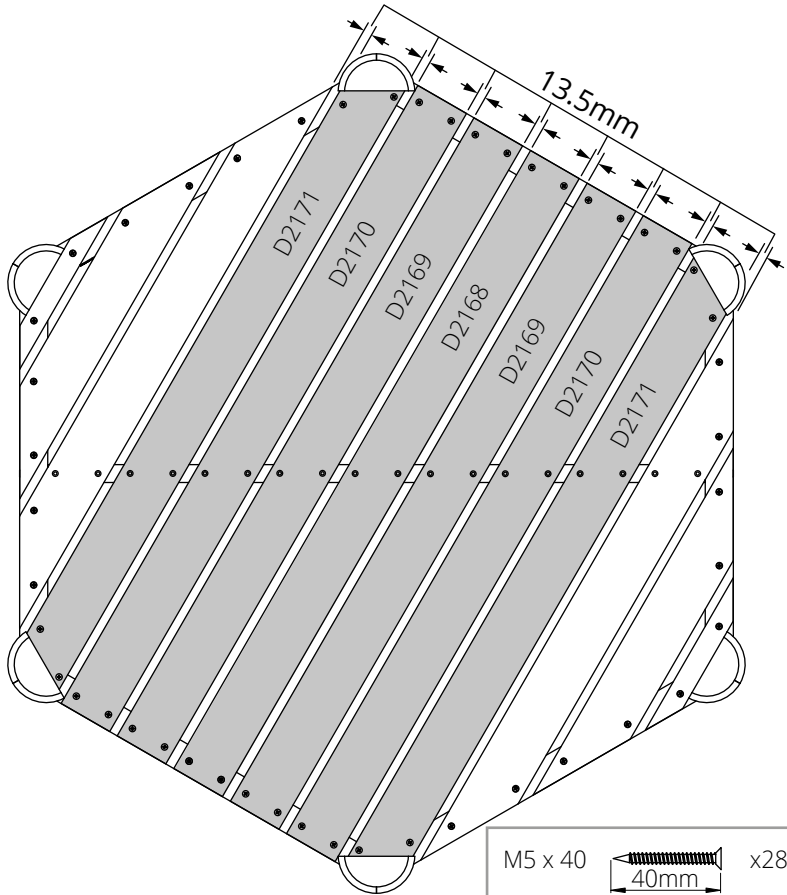
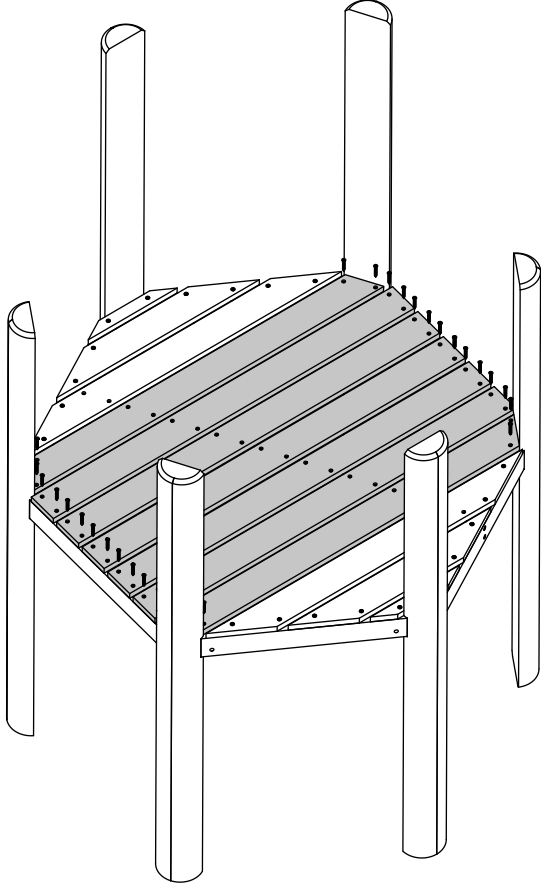
1
2
3
4
5
6
7
8
9
10
11
12
13
14
15
16
17
18
19
20
21
22
23
24
25
26
27
28
29
30
31
32
33
34
35
36
37
38
39
40
41
42
43
44




M5 x 70  x4

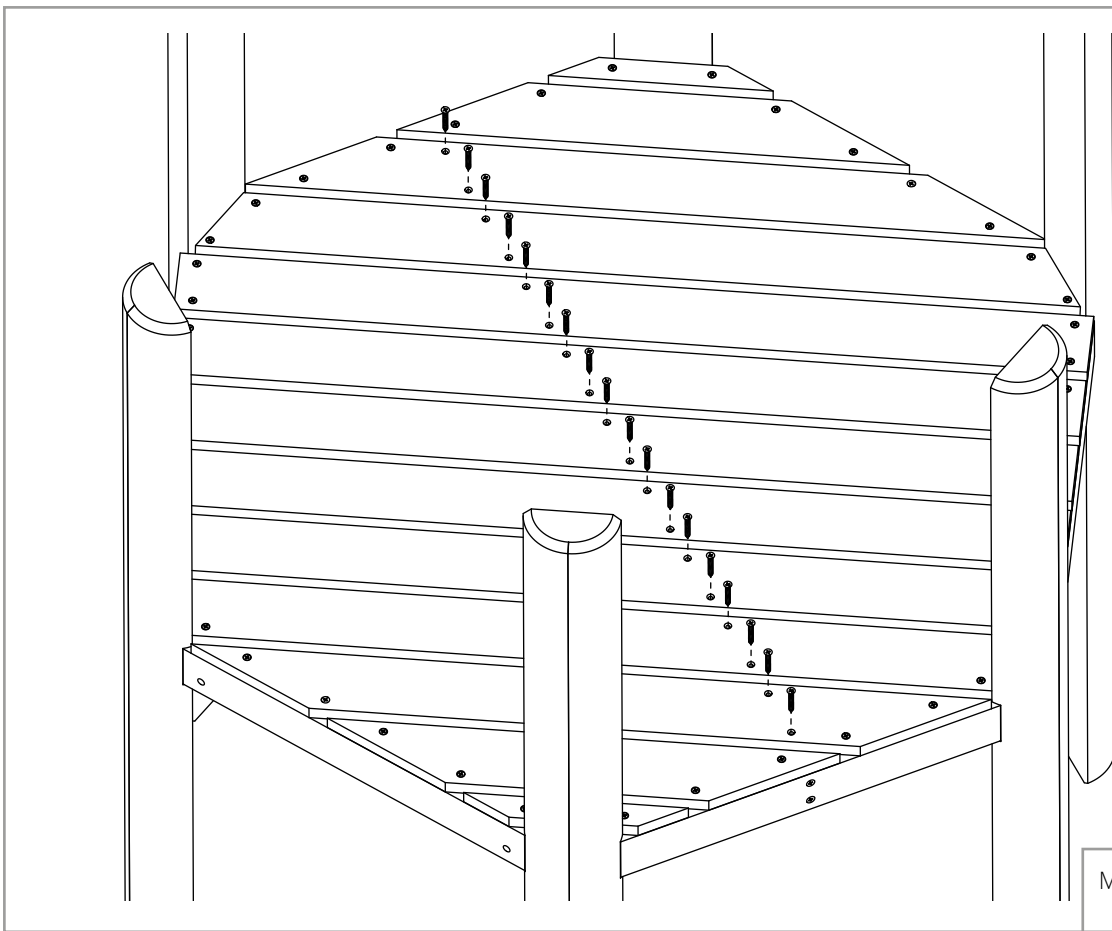
D2161 x1 


1
2
3
4
5
6
7
8
9
10
11
12
13
14
15
16
17
18
19
20
21
22
23
24
25
26
27
28
29
30
31
32
33
34
35
36
37
38
39
40
41
42
43
44



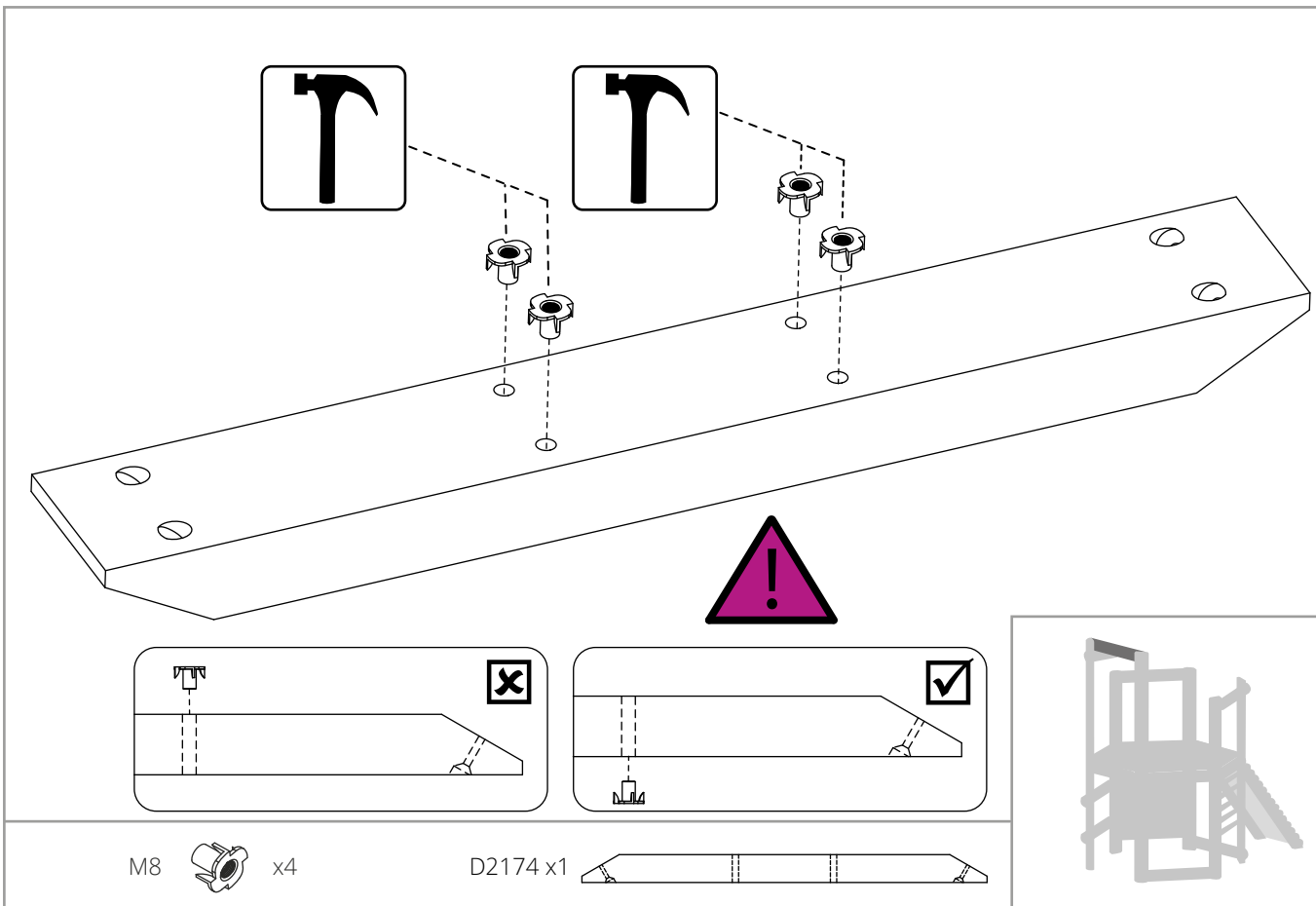
M5 x 40  x28

- 1
- 2
- 3
- 4
- 5
- 6
- 7
- 8
- 9
- 10
- 11
- 12
- 13
- 14
- 15
- 16
- 17
- 18
- 19
- 20
- 21
- 22
- 23
- 24
- 25
- 26
- 27
- 28
- 29
- 30
- 31
- 32
- 33
- 34
- 35
- 36
- 37
- 38
- 39
- 40
- 41
- 42
- 43
- 44

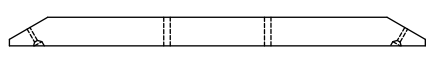


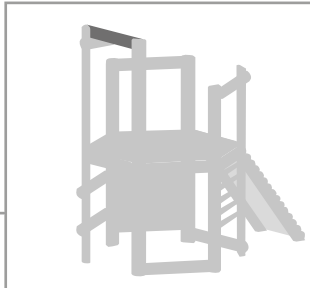
M5 x 40  x18

- 1
- 2
- 3
- 4
- 5
- 6
- 7
- 8
- 9
- 10
- 11
- 12
- 13
- 14
- 15
- 16
- 17
- 18
- 19
- 20
- 21
- 22
- 23
- 24
- 25
- 26
- 27
- 28
- 29
- 30
- 31
- 32
- 33
- 34
- 35
- 36
- 37
- 38
- 39
- 40
- 41
- 42
- 43
- 44

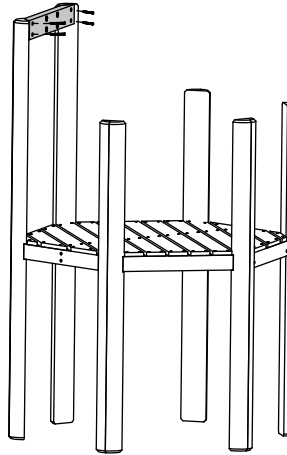
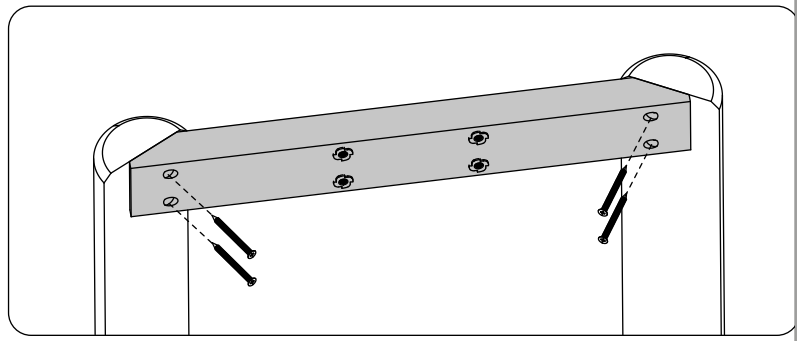
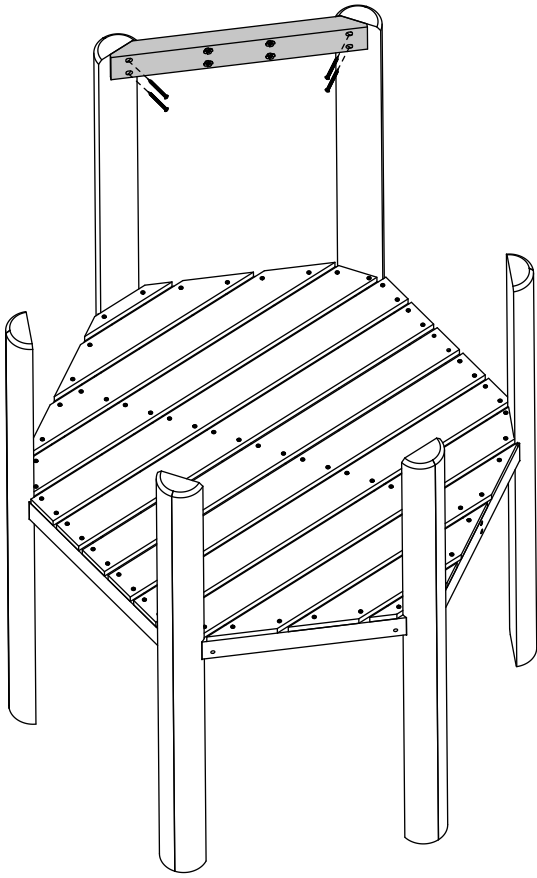


M8  x4

D2174 x1 



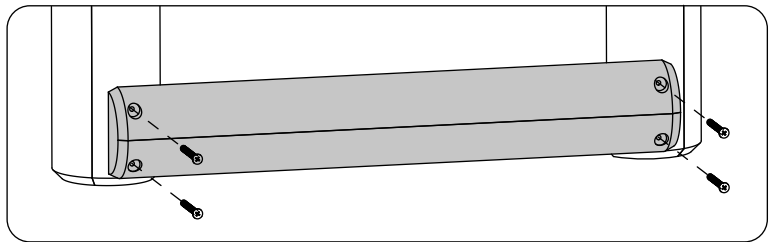
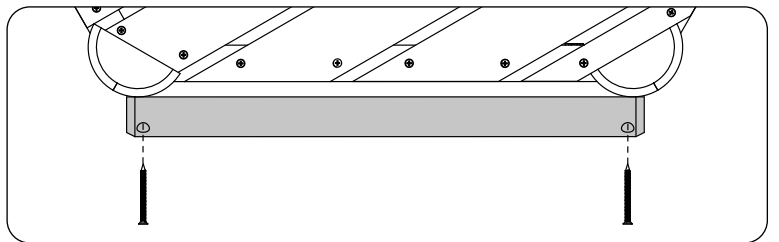
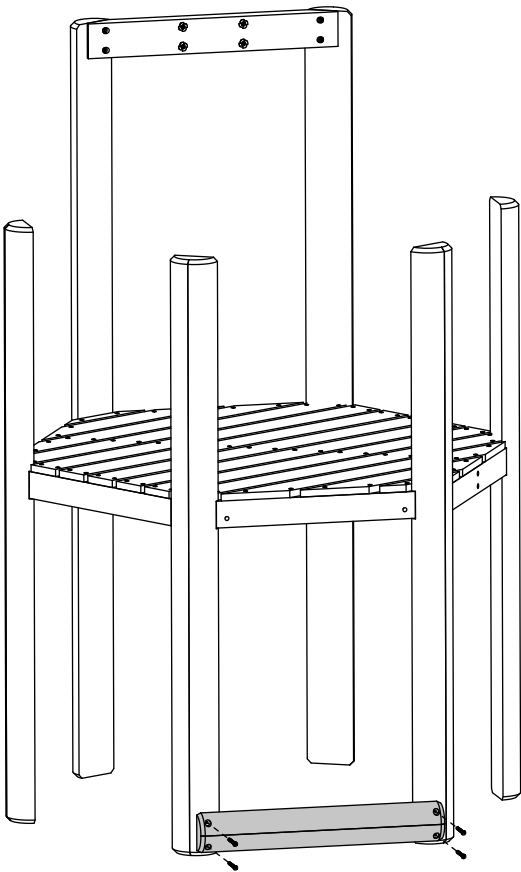
1
2
3
4
5
6
7
8
9
10
11
12
13
14
15
16
17
18
19
20
21
22
23
24
25
26
27
28
29
30
31
32
33
34
35
36
37
38
39
40
41
42
43
44




M5 x 70  x4

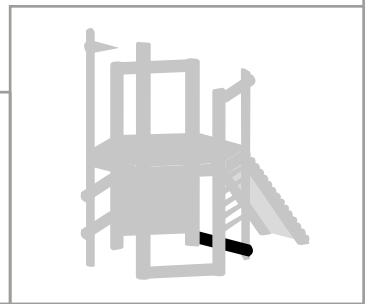


1
2
3
4
5
6
7
8
9
10
11
12
13
14
15
16
17
18
19
20
21
22
23
24
25
26
27
28
29
30
31
32
33
34
35
36
37
38
39
40
41
42
43
44

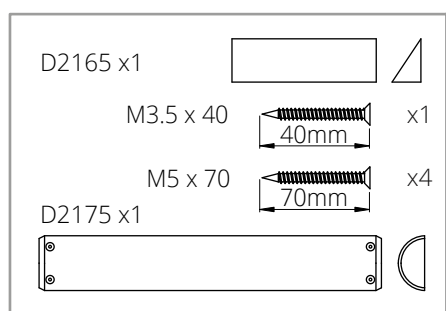
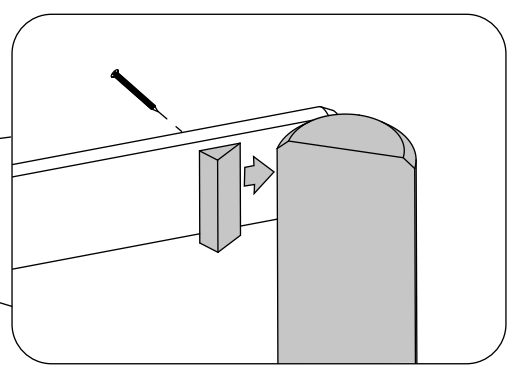
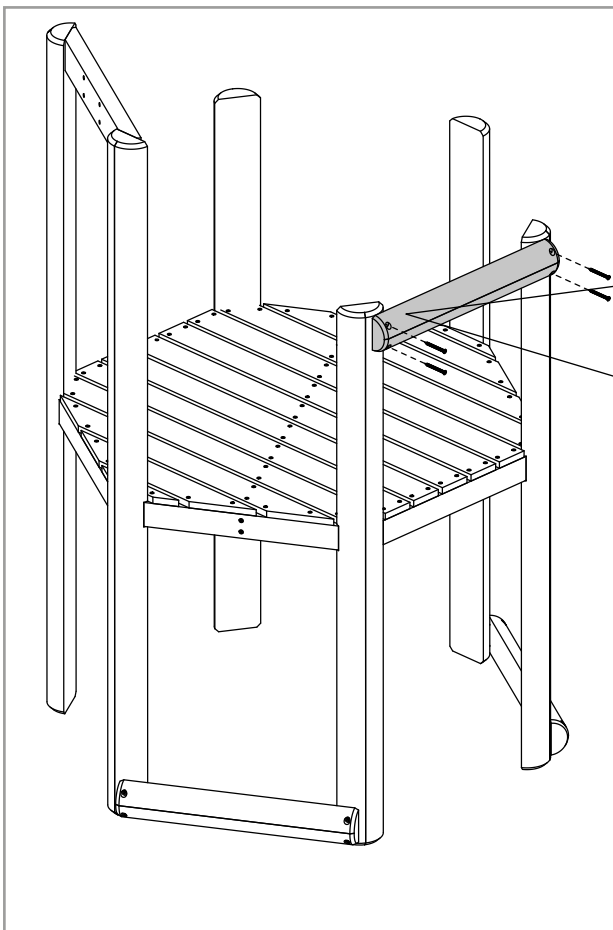
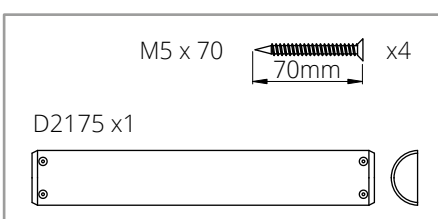
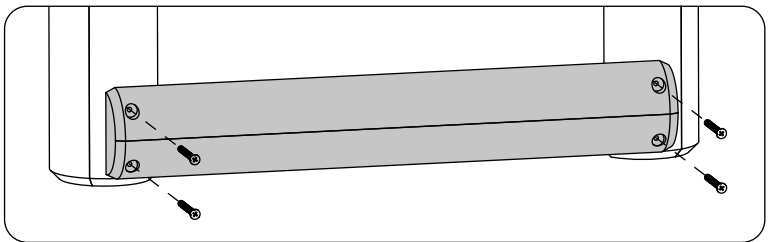
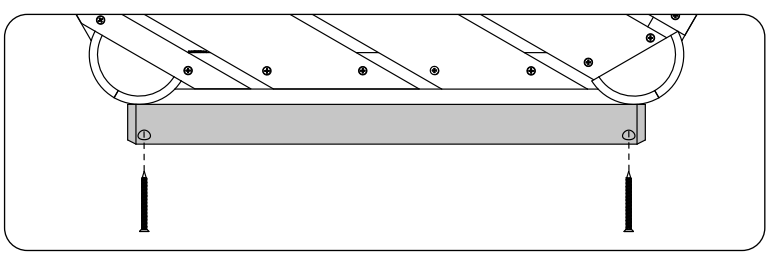
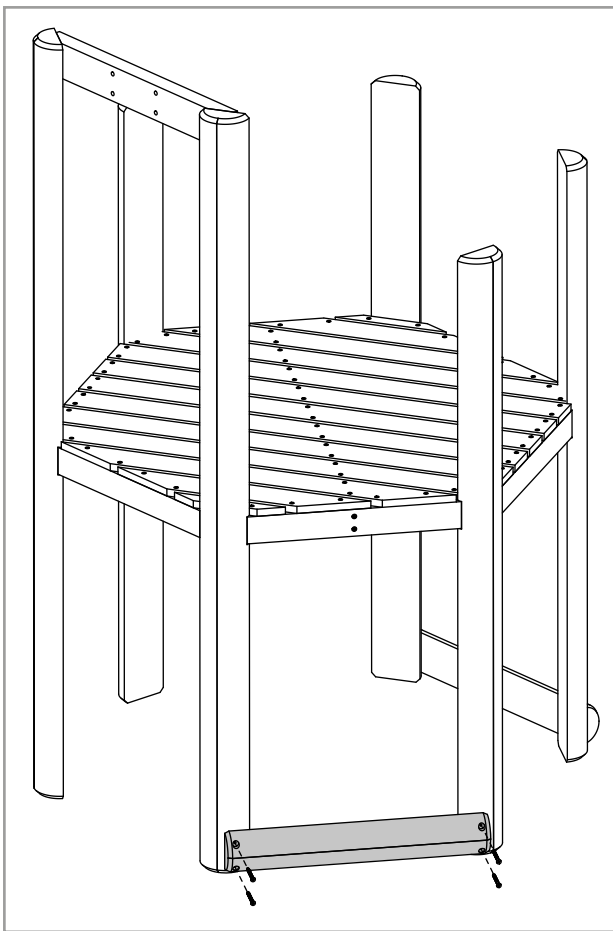


M5 x 70  x4

D2175 x1

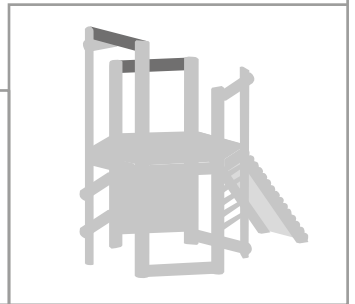
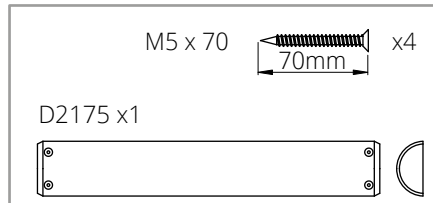
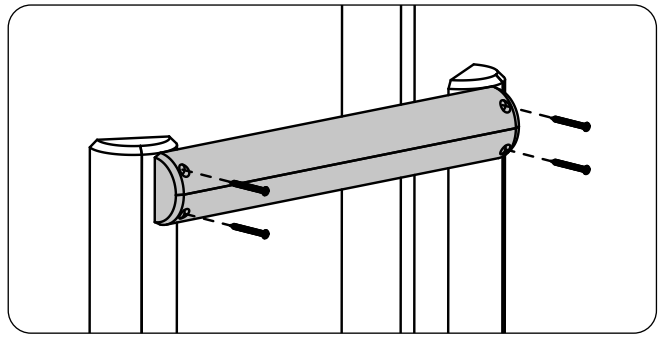
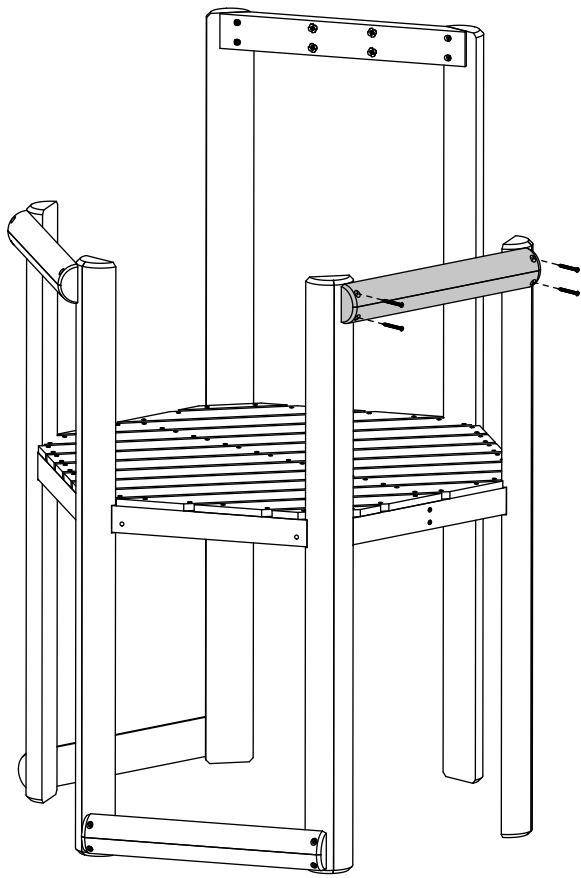


1
2
3
4
5
6
7
8
9
10
11
12
13
14
15
16
17
18
19
20
21
22
23
24
25
26
27
28
29
30
31
32
33
34
35
36
37
38
39
40
41
42
43
44

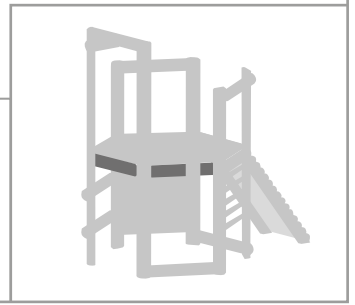
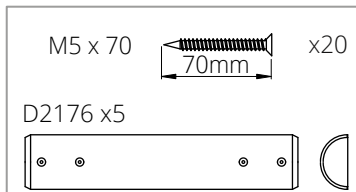
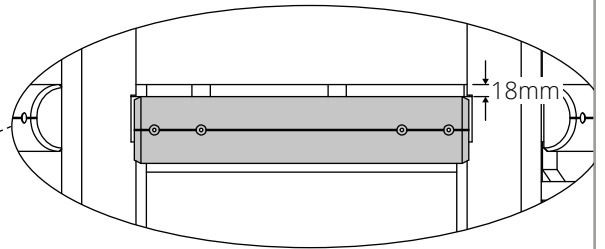
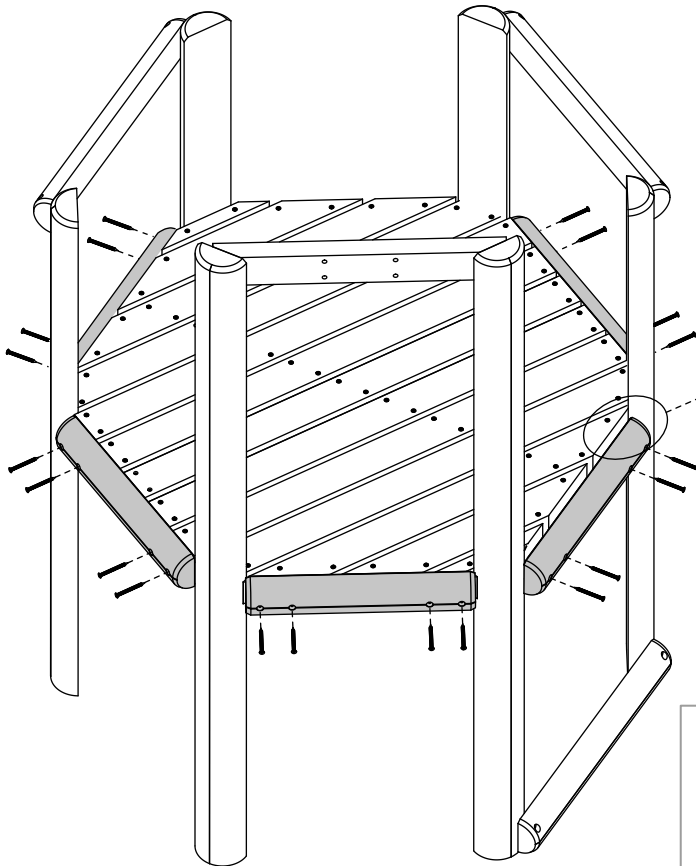


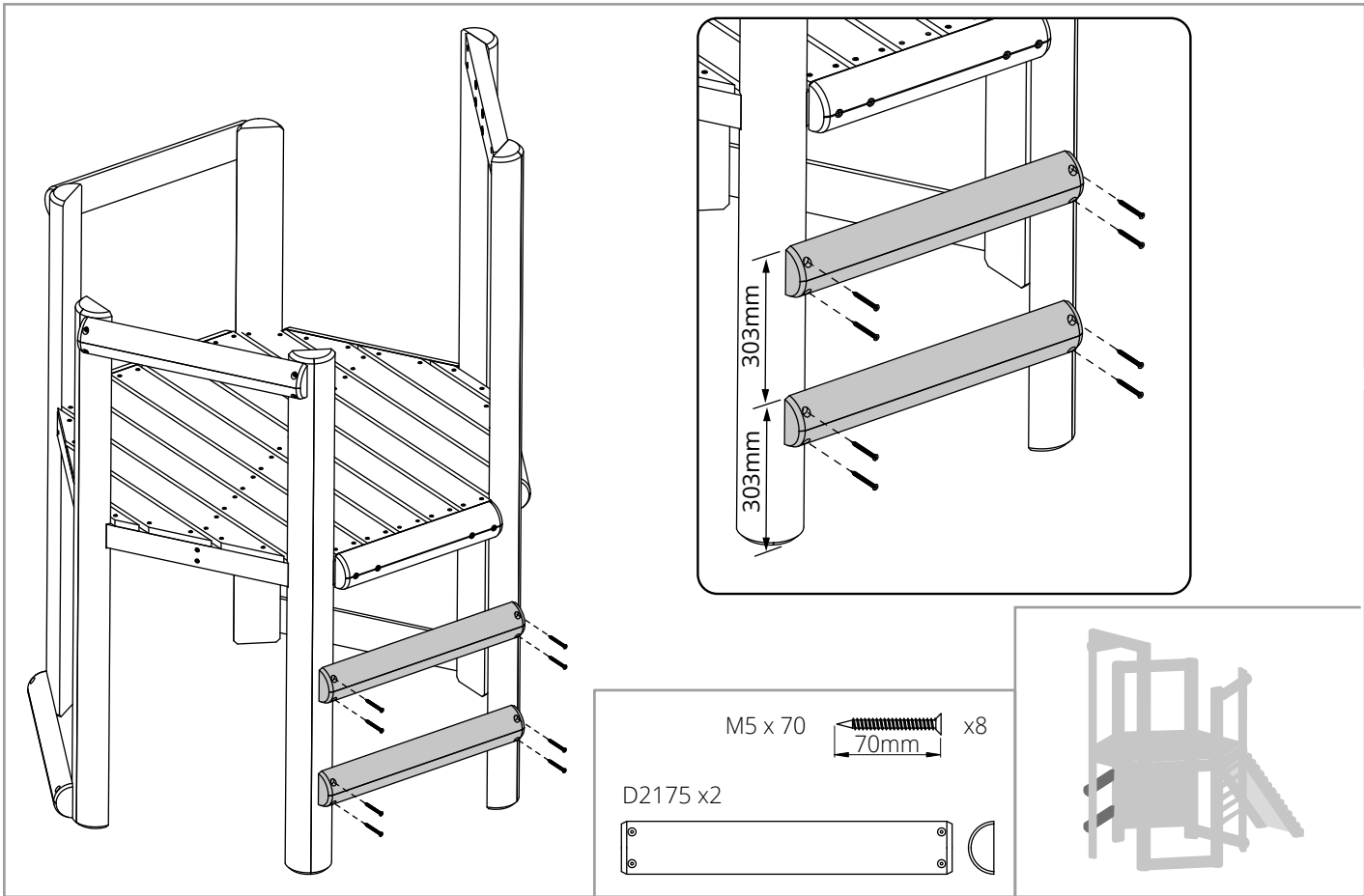
1
2
3
4
5
6
7
8
9
10
11
12
13
14
15
16
17
18
19
20
21
22
23
24
25
26
27
28
29
30
31
32
33
34
35
36
37
38
39
40
41
42
43
44

1
2
3
4
5
6
7
8
9
10
11
12
13
14
15
16
17
18
19
20
21
22
23
24
25
26
27
28
29
30
31
32
33
34
35
36
37
38
39
40
41
42
43
44

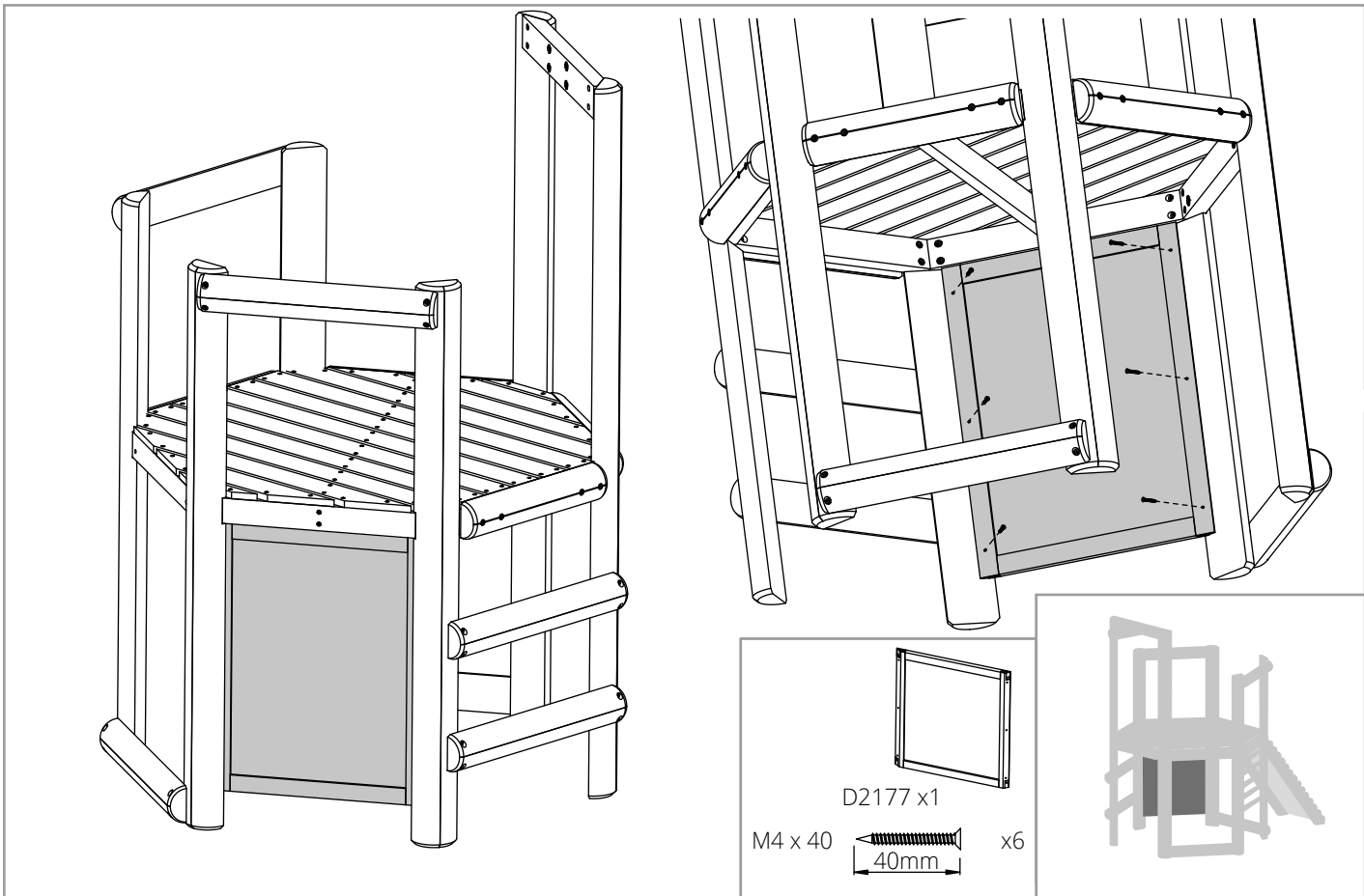


1
2
3
4
5
6
7
8
9
10
11
12
13
14
15
16
17
18
19
20
21
22
23
24
25
26
27
28
29
30
31
32
33
34
35
36
37
38
39
40
41
42
43
44



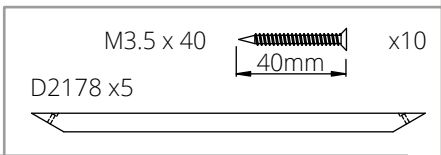
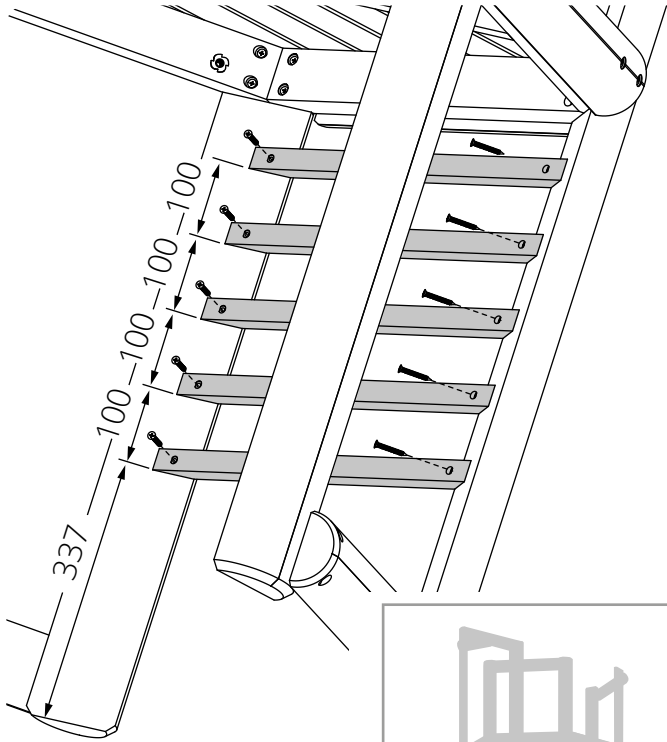
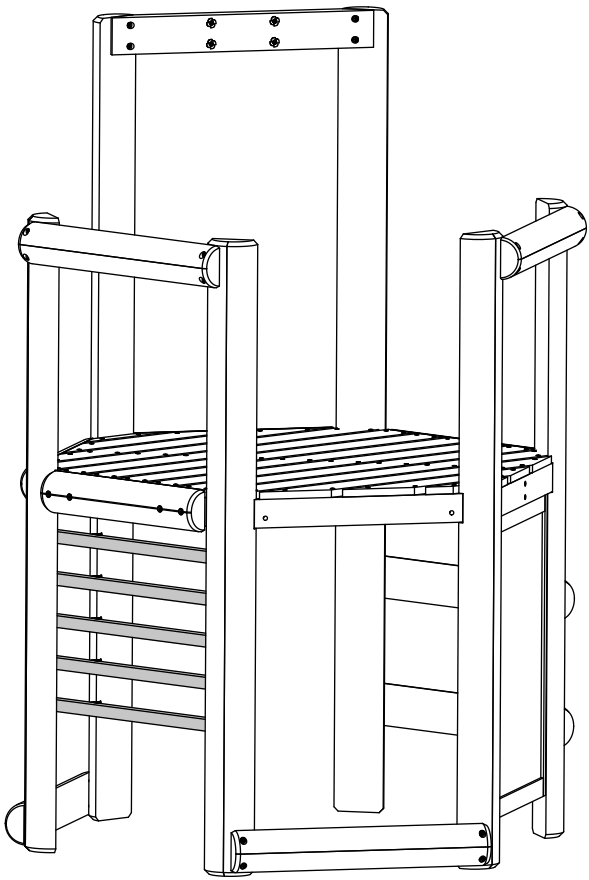


- 1
- 2
- 3
- 4
- 5
- 6
- 7
- 8
- 9
- 10
- 11
- 12
- 13
- 14
- 15
- 16
- 17
- 18
- 19
- 20
- 21
- 22
- 23
- 24
- 25
- 26
- 27
- 28
- 29
- 30
- 31
- 32
- 33
- 34
- 35
- 36
- 37
- 38
- 39
- 40
- 41
- 42
- 43
- 44

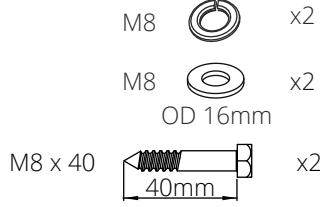
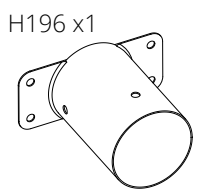
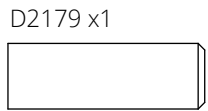
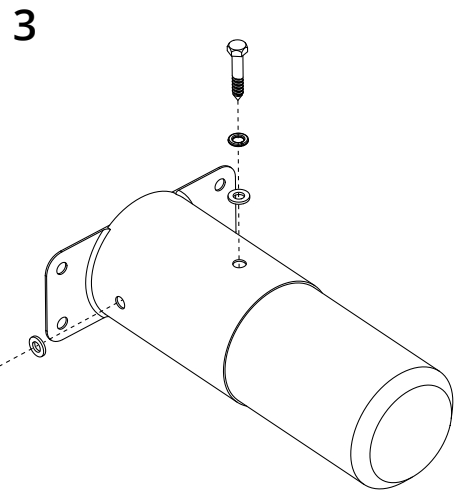
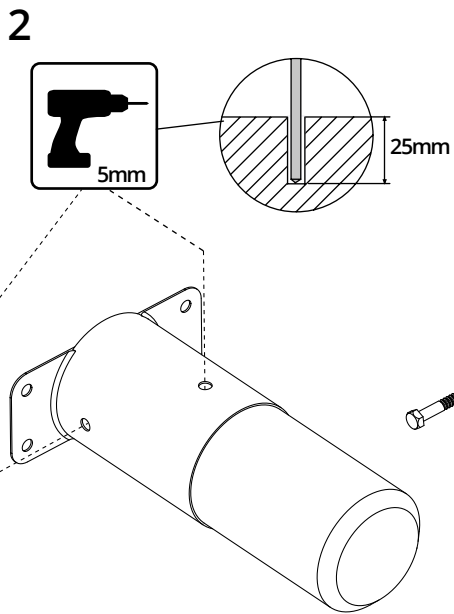
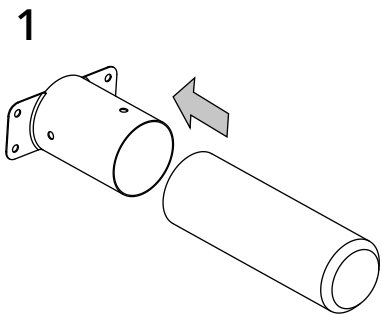


- 1
- 2
- 3
- 4
- 5
- 6
- 7
- 8
- 9
- 10
- 11
- 12
- 13
- 14
- 15
- 16
- 17
- 18
- 19
- 20
- 21
- 22
- 23
- 24
- 25
- 26
- 27
- 28
- 29
- 30
- 31
- 32
- 33
- 34
- 35
- 36
- 37
- 38
- 39
- 40
- 41
- 42
- 43
- 44

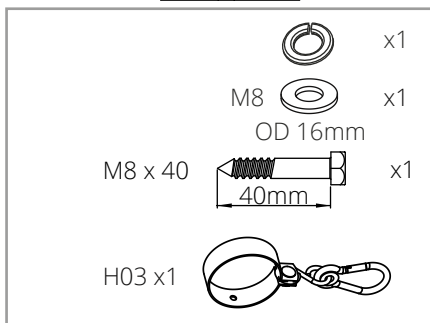
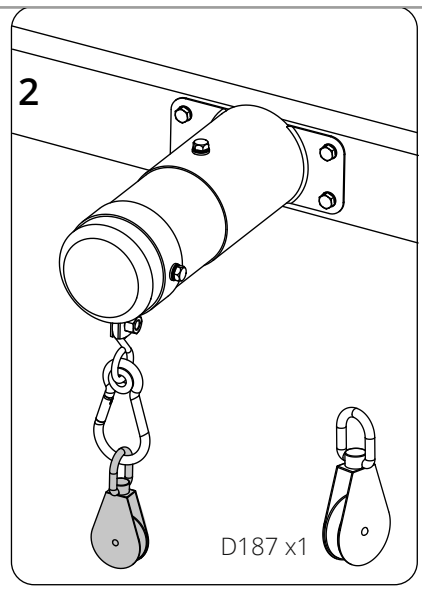
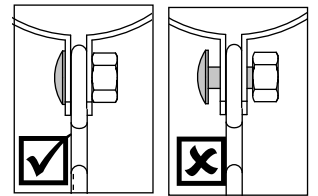
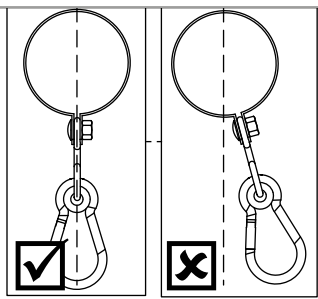
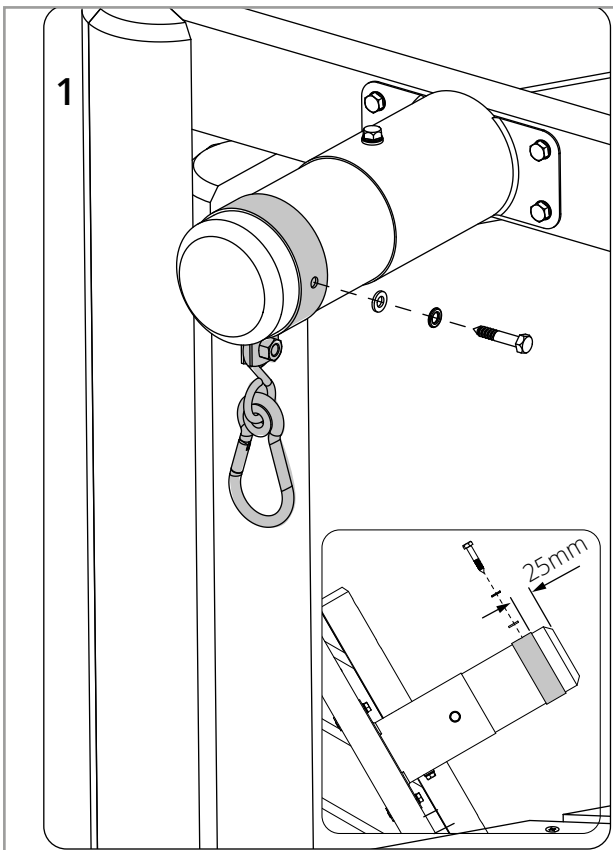
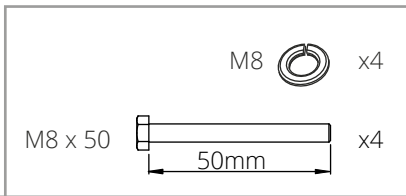
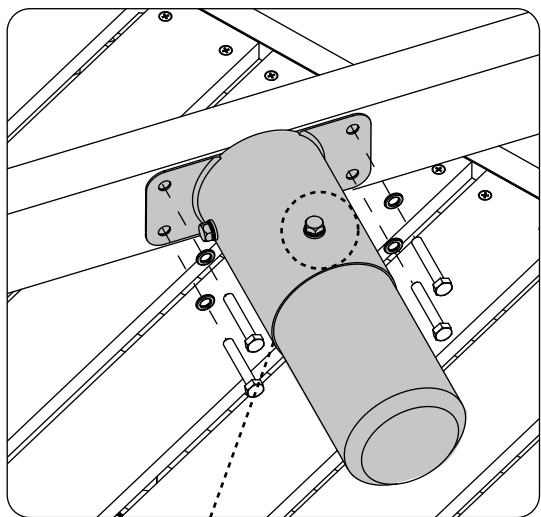
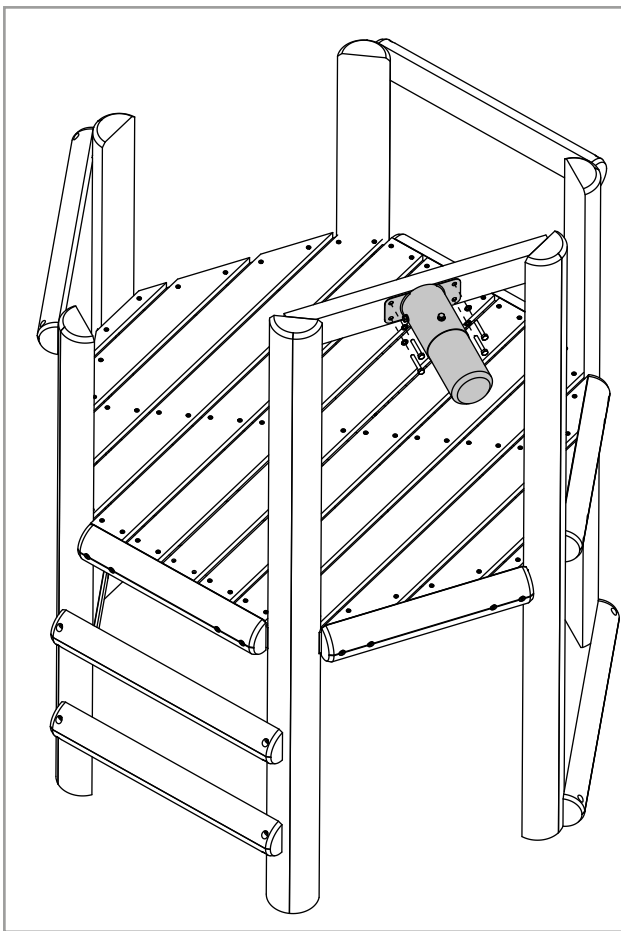
1
2
3
4
5
6
7
8
9
10
11
12
13
14
15
16
17
18
19
20
21
22
23
24
25
26
27
28
29
30
31
32
33
34
35
36
37
38
39
40
41
42
43
44



1
2
3
4
5
6
7
8
9
10
11
12
13
14
15
16
17
18
19
20
21
22
23
24
25
26
27
28
29
30
31
32
33
34
35
36
37
38
39
40
41
42
43
44

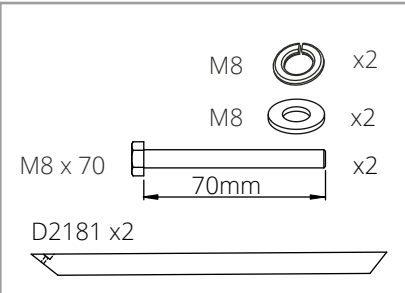
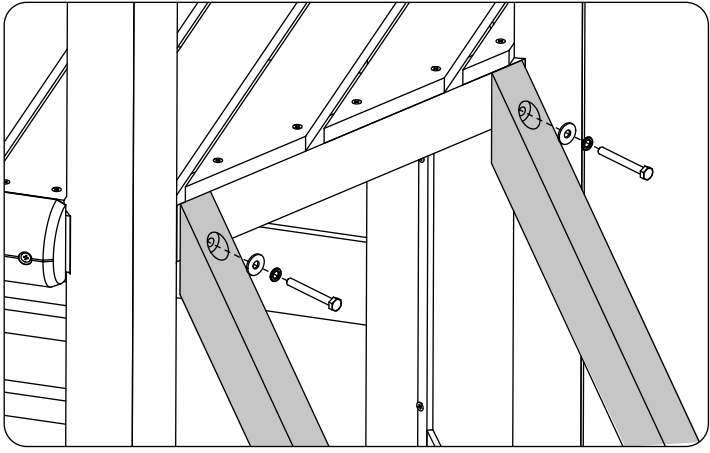
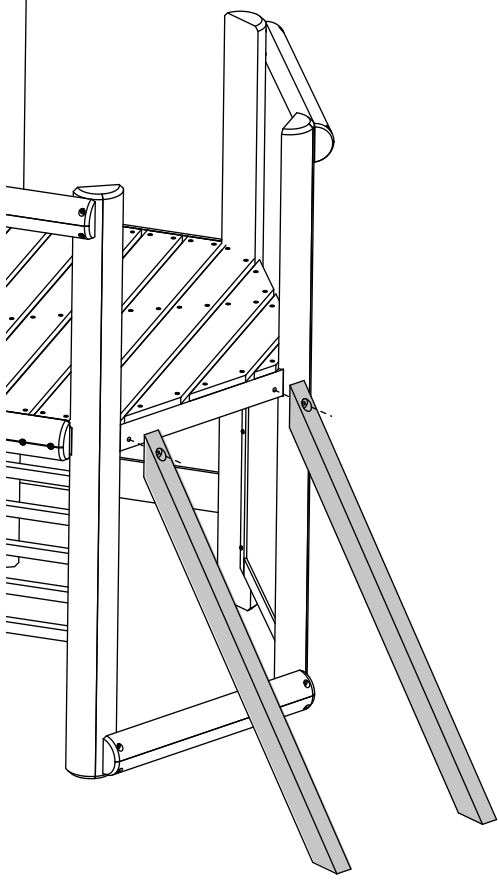


1
2
3
4
5
6
7
8
9
10
11
12
13
14
15
16
17
18
19
20
21
22
23
24
25
26
27
28
29
30
31
32
33
34
35
36
37
38
39
40
41
42
43
44

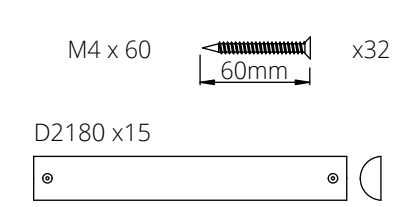
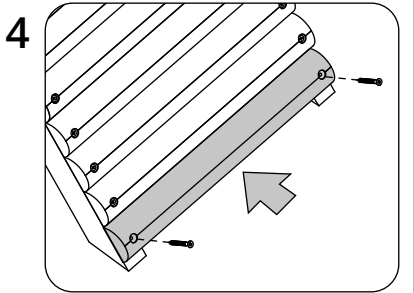
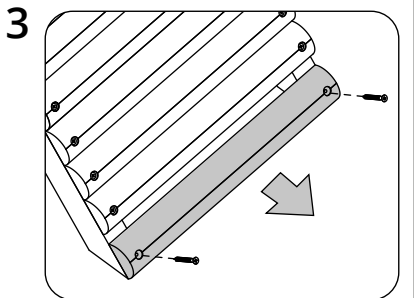
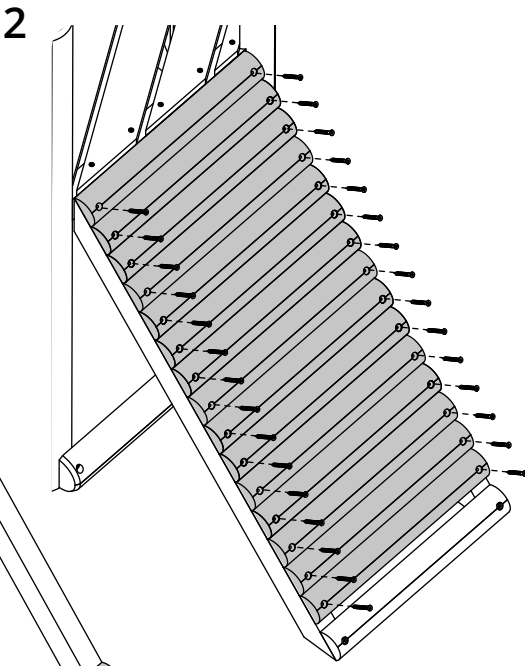
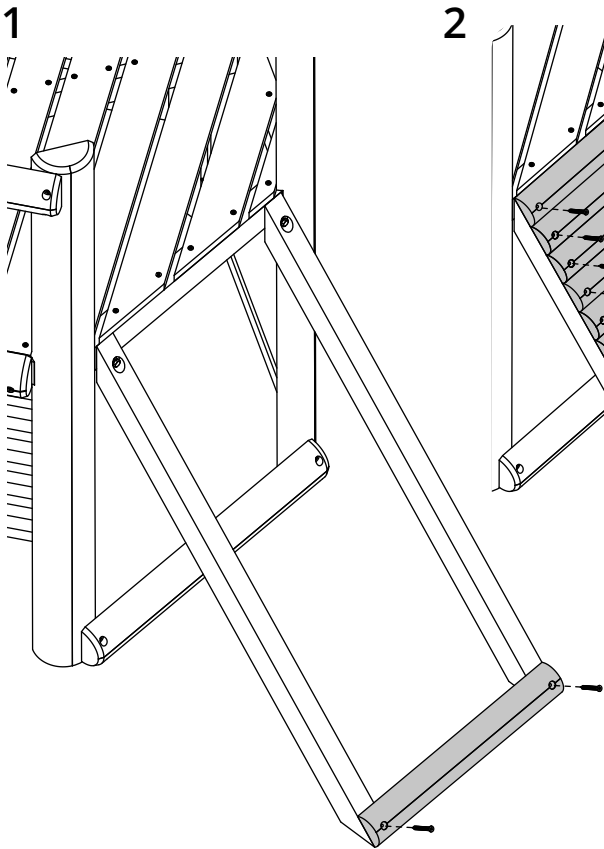


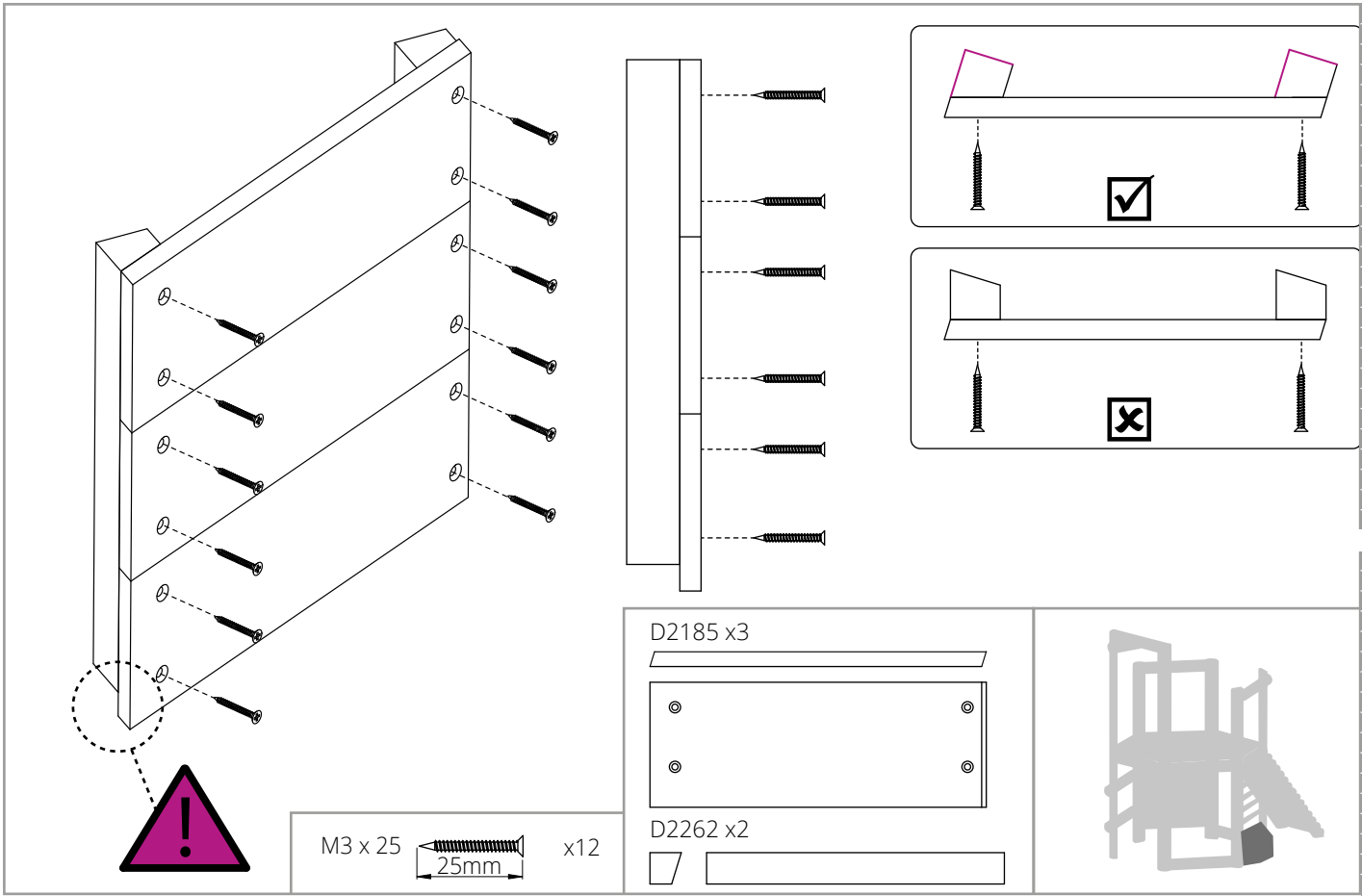
1
2
3
4
5
6
7
8
9
10
11
12
13
14
15
16
17
18
19
20
21
22
23
24
25
26
27
28
29
30
31
32
33
34
35
36
37
38
39
40
41
42
43
44

1
2
3
4
5
6
7
8
9
10
11
12
13
14
15
16
17
18
19
20
21
22
23
24
25
26
27
28
29
30
31
32
33
34
35
36
37
38
39
40
41
42
43
44

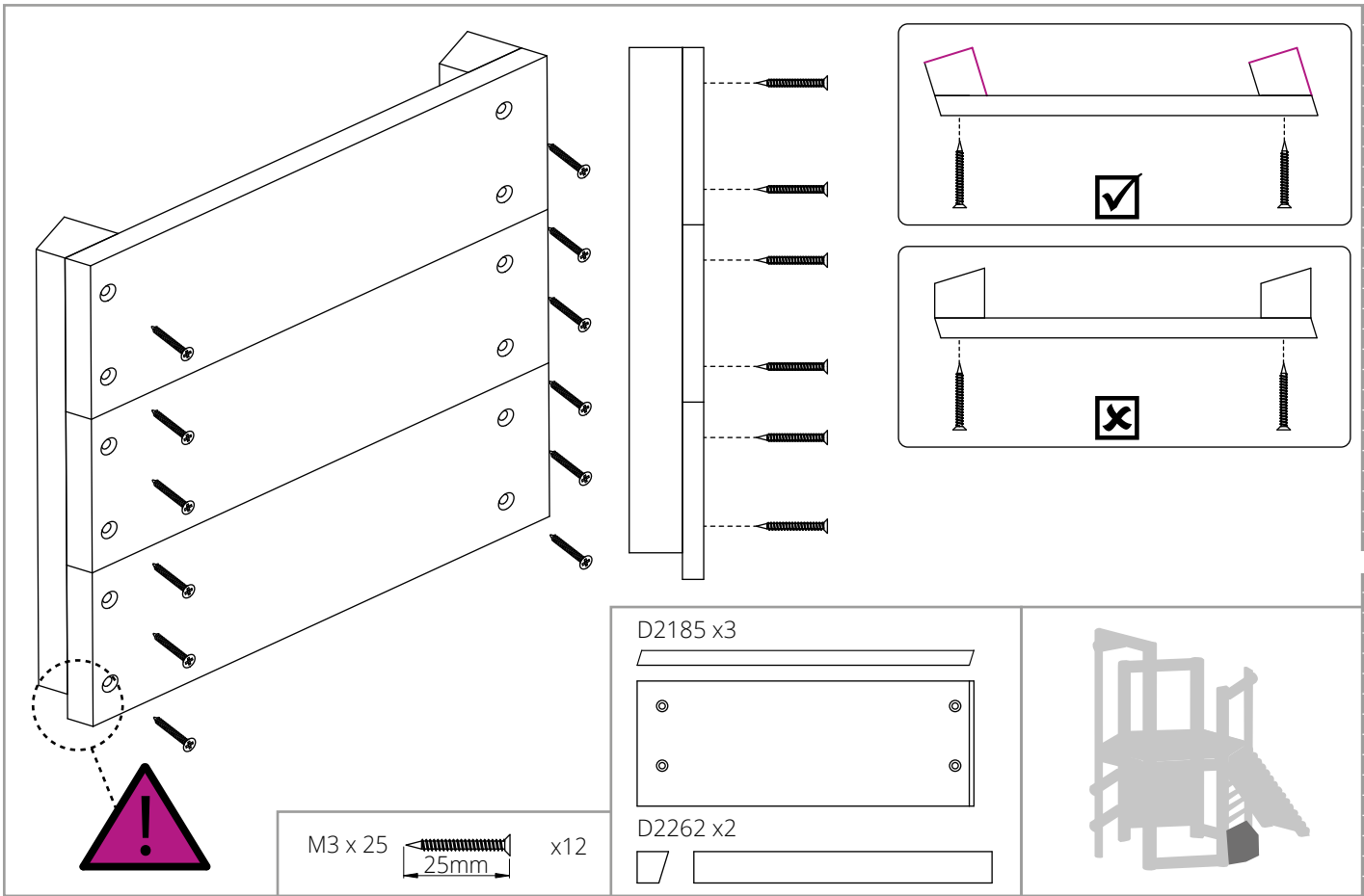


1
2
3
4
5
6
7
8
9
10
11
12
13
14
15
16
17
18
19
20
21
22
23
24
25
26
27
28
29
30
31
32
33
34
35
36
37
38
39
40
41
42
43
44



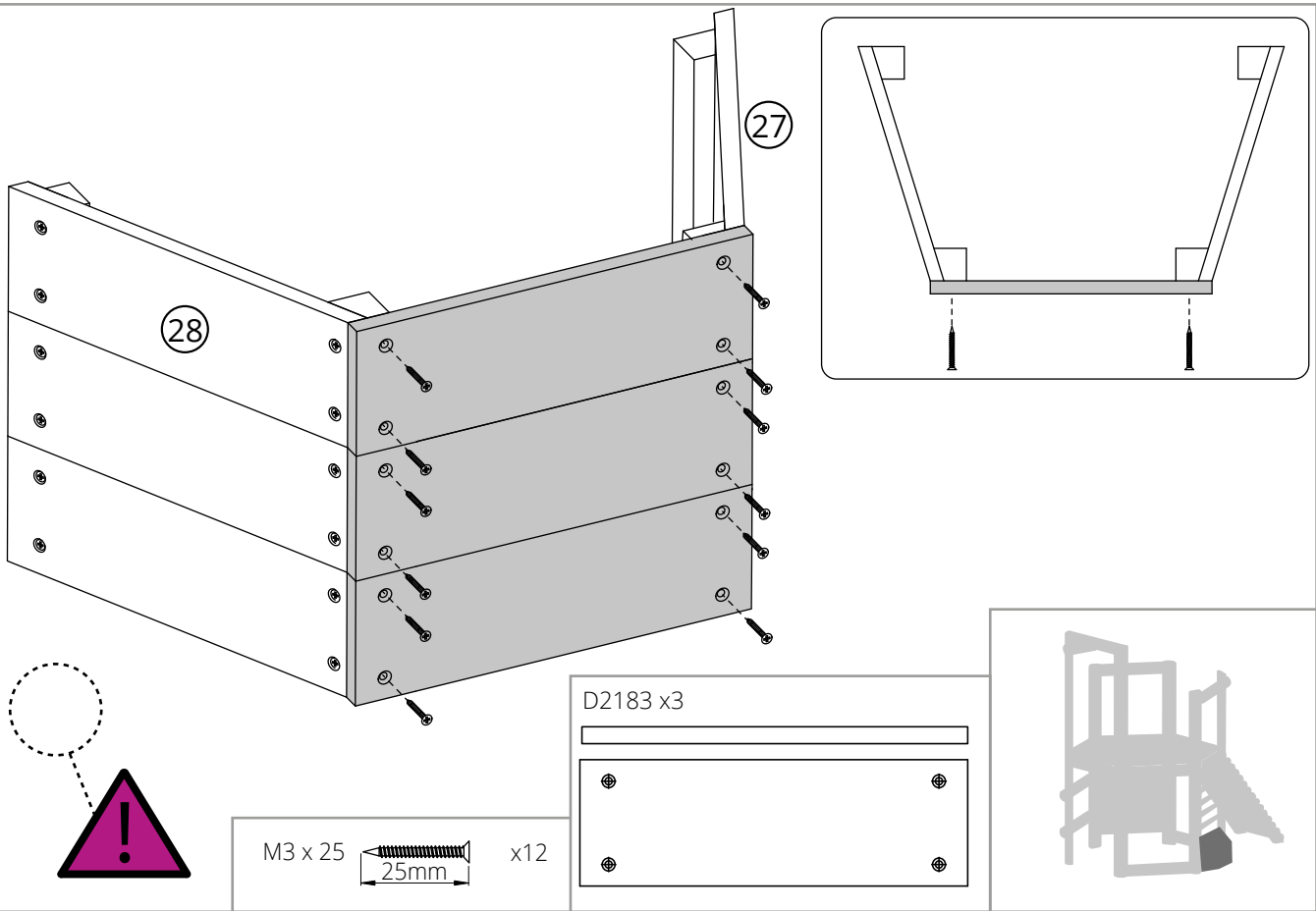


- 1
- 2
- 3
- 4
- 5
- 6
- 7
- 8
- 9
- 10
- 11
- 12
- 13
- 14
- 15
- 16
- 17
- 18
- 19
- 20
- 21
- 22
- 23
- 24
- 25
- 26
- 27
- 28
- 29
- 30
- 31
- 32
- 33
- 34
- 35
- 36
- 37
- 38
- 39
- 40
- 41
- 42
- 43
- 44

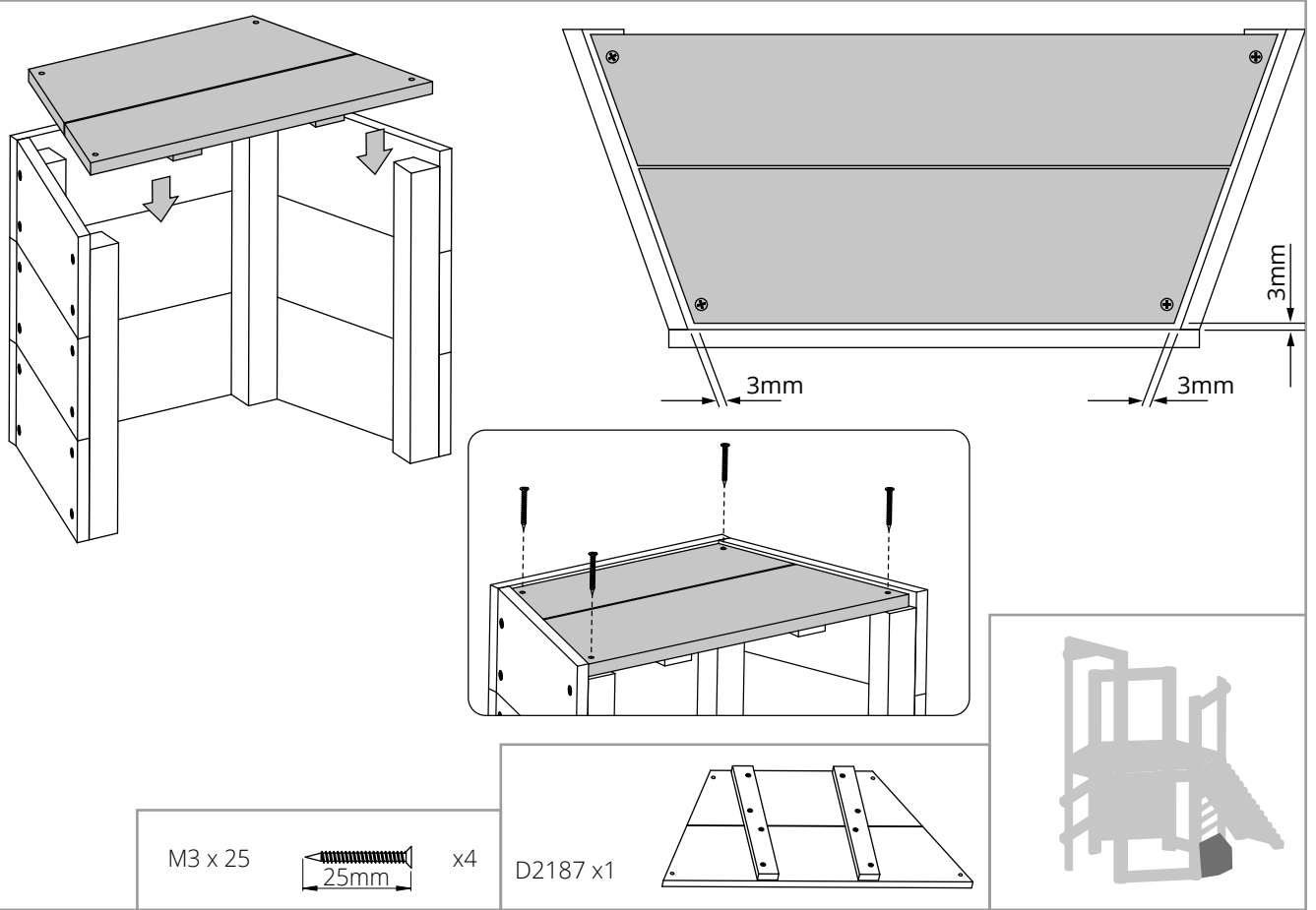


- 1
- 2
- 3
- 4
- 5
- 6
- 7
- 8
- 9
- 10
- 11
- 12
- 13
- 14
- 15
- 16
- 17
- 18
- 19
- 20
- 21
- 22
- 23
- 24
- 25
- 26
- 27
- 28
- 29
- 30
- 31
- 32
- 33
- 34
- 35
- 36
- 37
- 38
- 39
- 40
- 41
- 42
- 43
- 44

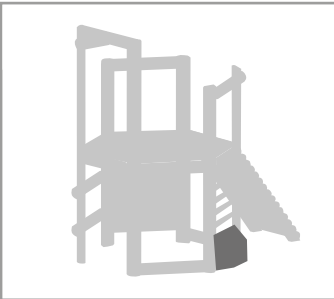
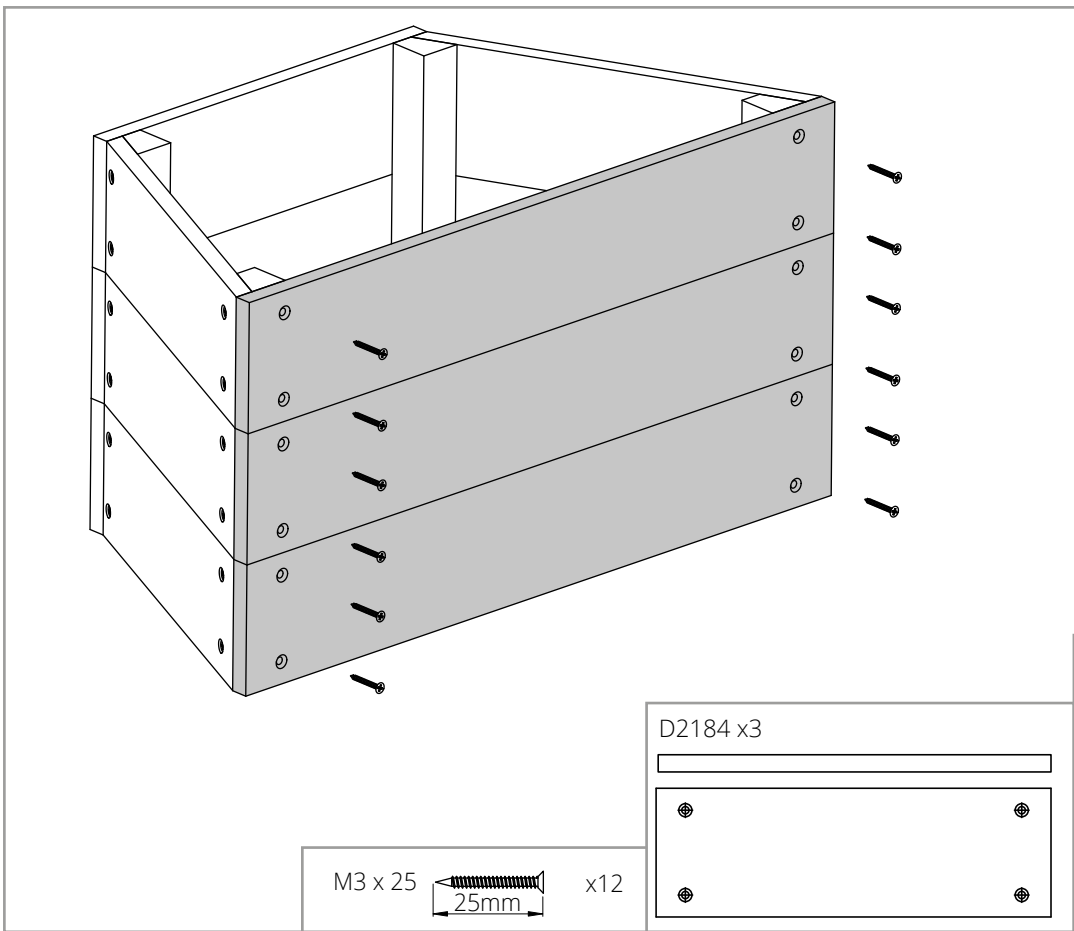
1
2
3
4
5
6
7
8
9
10
11
12
13
14
15
16
17
18
19
20
21
22
23
24
25
26
27
28
29
30
31
32
33
34
35
36
37
38
39
40
41
42
43
44



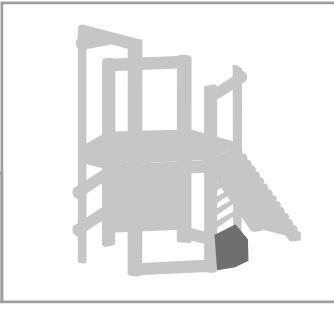
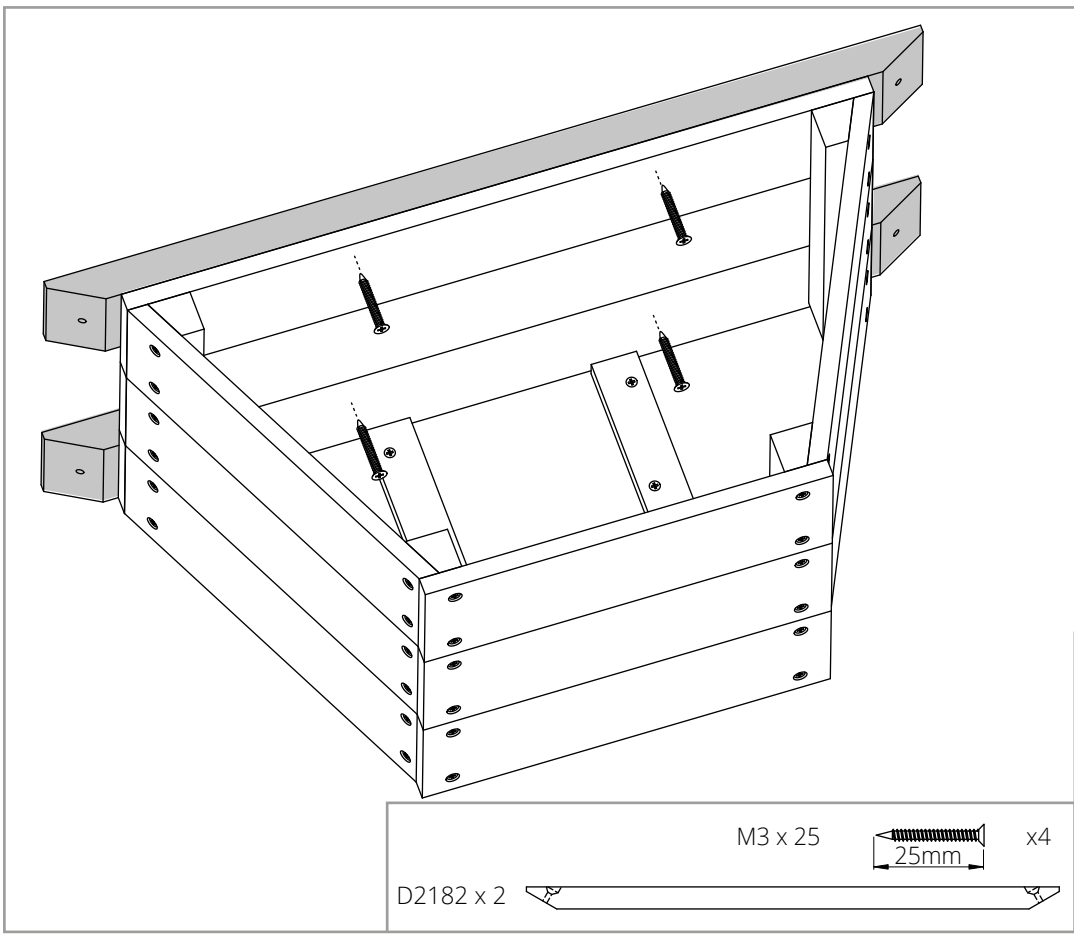
1
2
3
4
5
6
7
8
9
10
11
12
13
14
15
16
17
18
19
20
21
22
23
24
25
26
27
28
29
30
31
32
33
34
35
36
37
38
39
40
41
42
43
44



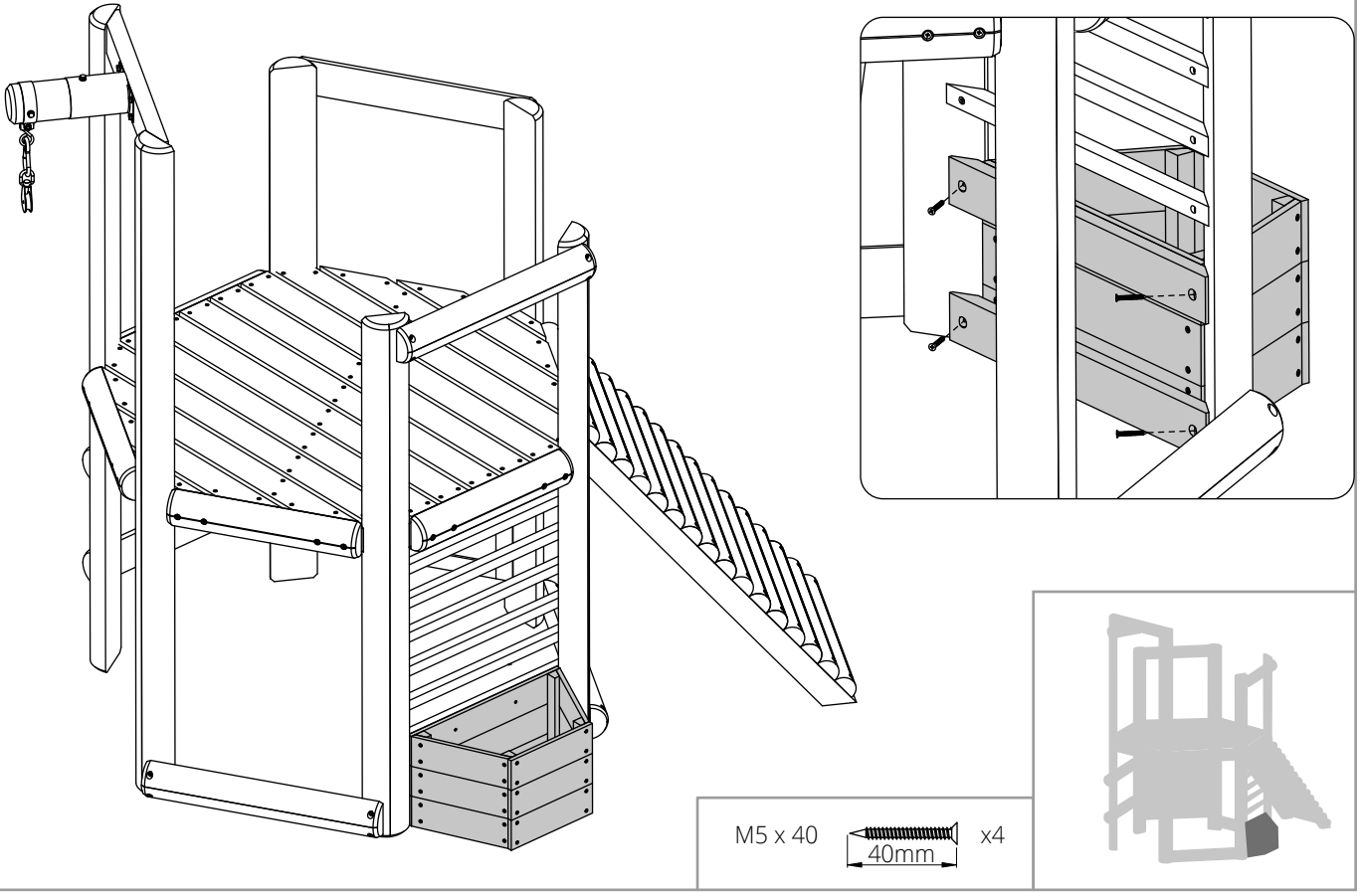
- 1
- 2
- 3
- 4
- 5
- 6
- 7
- 8
- 9
- 10
- 11
- 12
- 13
- 14
- 15
- 16
- 17
- 18
- 19
- 20
- 21
- 22
- 23
- 24
- 25
- 26
- 27
- 28
- 29
- 30
- 31
- 32
- 33
- 34
- 35
- 36
- 37
- 38
- 39
- 40
- 41
- 42
- 43
- 44



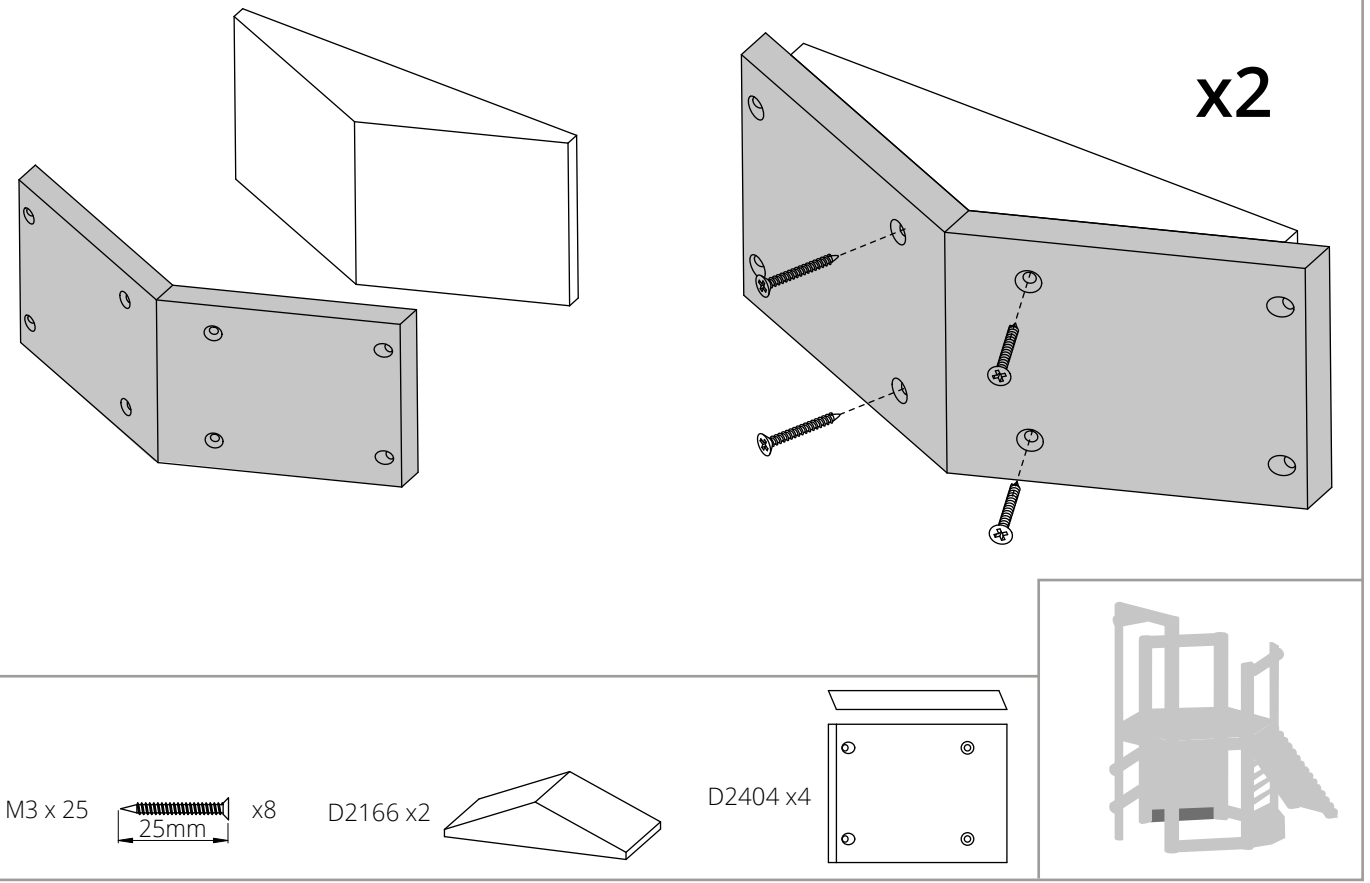
- 1
- 2
- 3
- 4
- 5
- 6
- 7
- 8
- 9
- 10
- 11
- 12
- 13
- 14
- 15
- 16
- 17
- 18
- 19
- 20
- 21
- 22
- 23
- 24
- 25
- 26
- 27
- 28
- 29
- 30
- 31
- 32
- 33
- 34
- 35
- 36
- 37
- 38
- 39
- 40
- 41
- 42
- 43
- 44



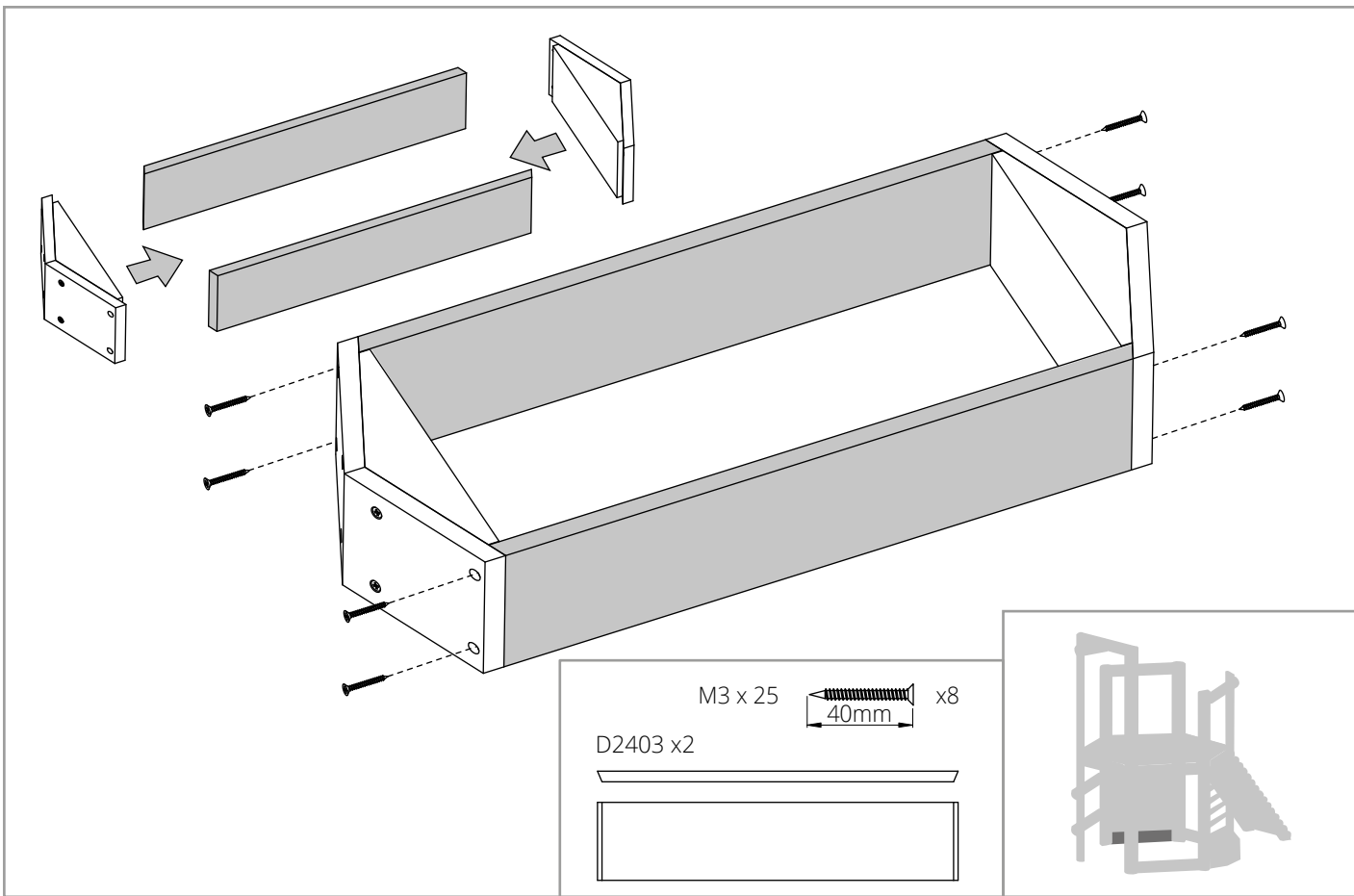
1
2
3
4
5
6
7
8
9
10
11
12
13
14
15
16
17
18
19
20
21
22
23
24
25
26
27
28
29
30
31
32
33
34
35
36
37
38
39
40
41
42
43
44



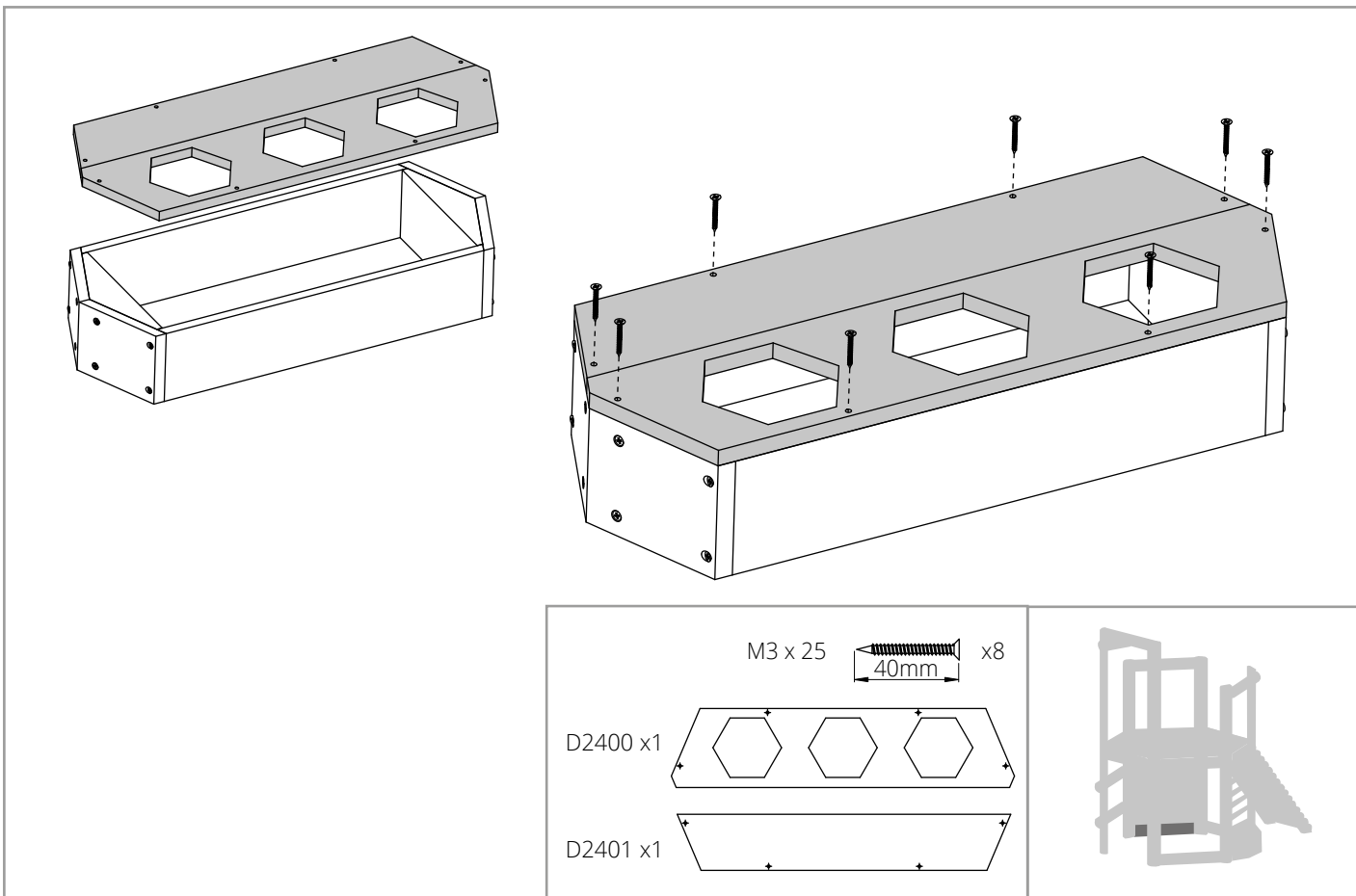
1
2
3
4
5
6
7
8
9
10
11
12
13
14
15
16
17
18
19
20
21
22
23
24
25
26
27
28
29
30
31
32
33
34
35
36
37
38
39
40
41
42
43
44



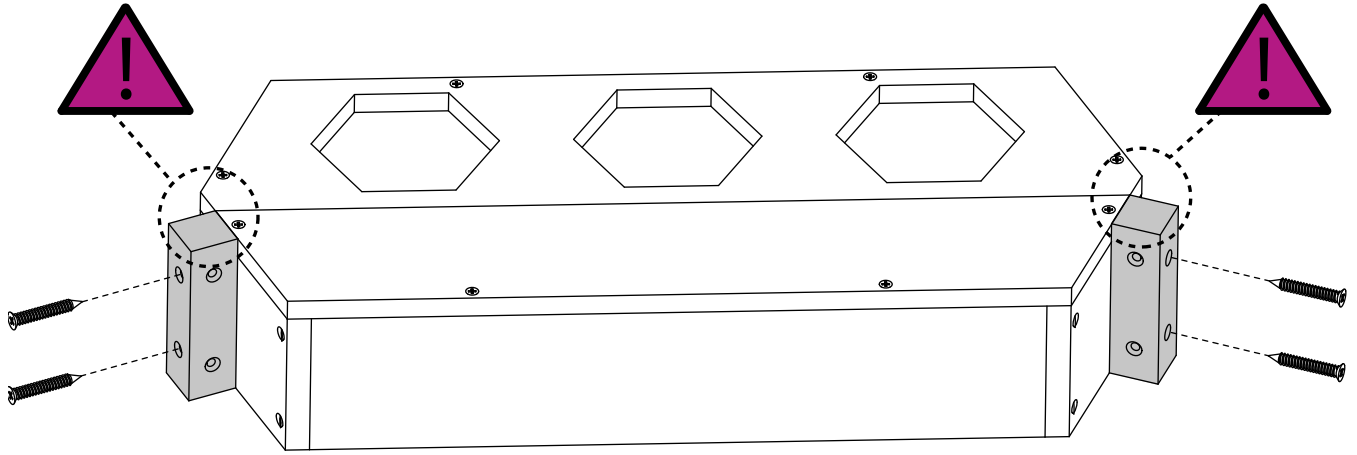
- 1
- 2
- 3
- 4
- 5
- 6
- 7
- 8
- 9
- 10
- 11
- 12
- 13
- 14
- 15
- 16
- 17
- 18
- 19
- 20
- 21
- 22
- 23
- 24
- 25
- 26
- 27
- 28
- 29
- 30
- 31
- 32
- 33
- 34
- 35
- 36
- 37
- 38
- 39
- 40
- 41
- 42
- 43
- 44



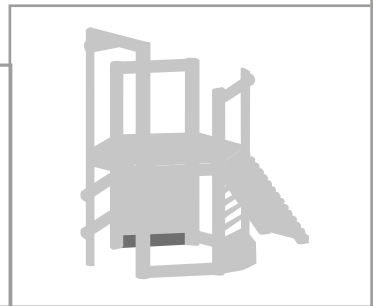
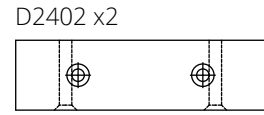
- 1
- 2
- 3
- 4
- 5
- 6
- 7
- 8
- 9
- 10
- 11
- 12
- 13
- 14
- 15
- 16
- 17
- 18
- 19
- 20
- 21
- 22
- 23
- 24
- 25
- 26
- 27
- 28
- 29
- 30
- 31
- 32
- 33
- 34
- 35
- 36
- 37
- 38
- 39
- 40
- 41
- 42
- 43
- 44



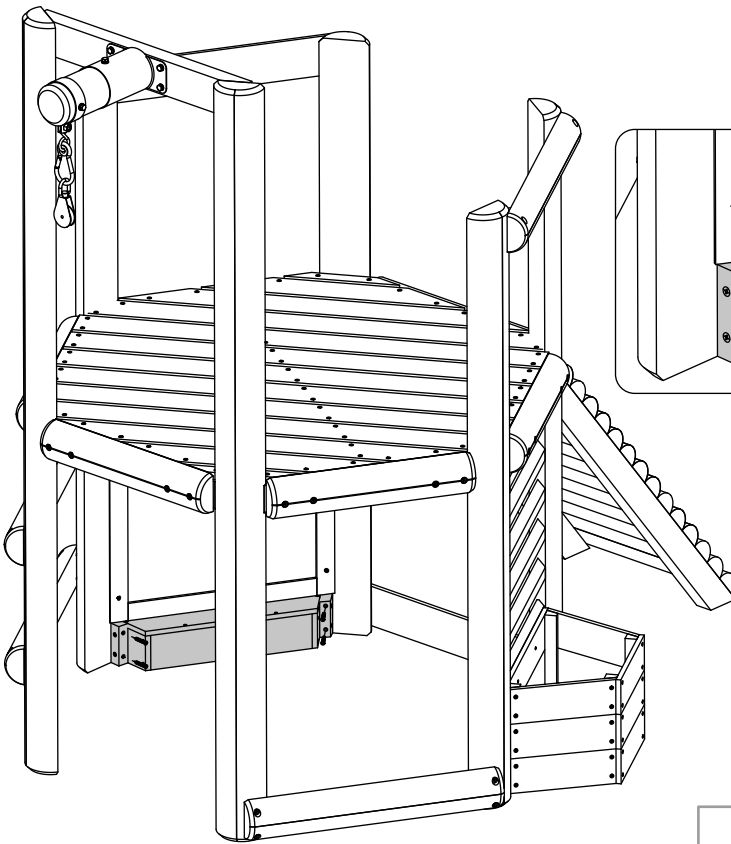
1
2
3
4
5
6
7
8
9
10
11
12
13
14
15
16
17
18
19
20
21
22
23
24
25
26
27
28
29
30
31
32
33
34
35
36
37
38
39
40
41
42
43
44




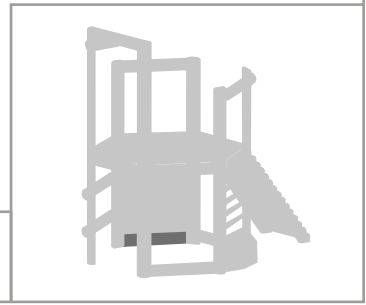
M5 x 40  x4

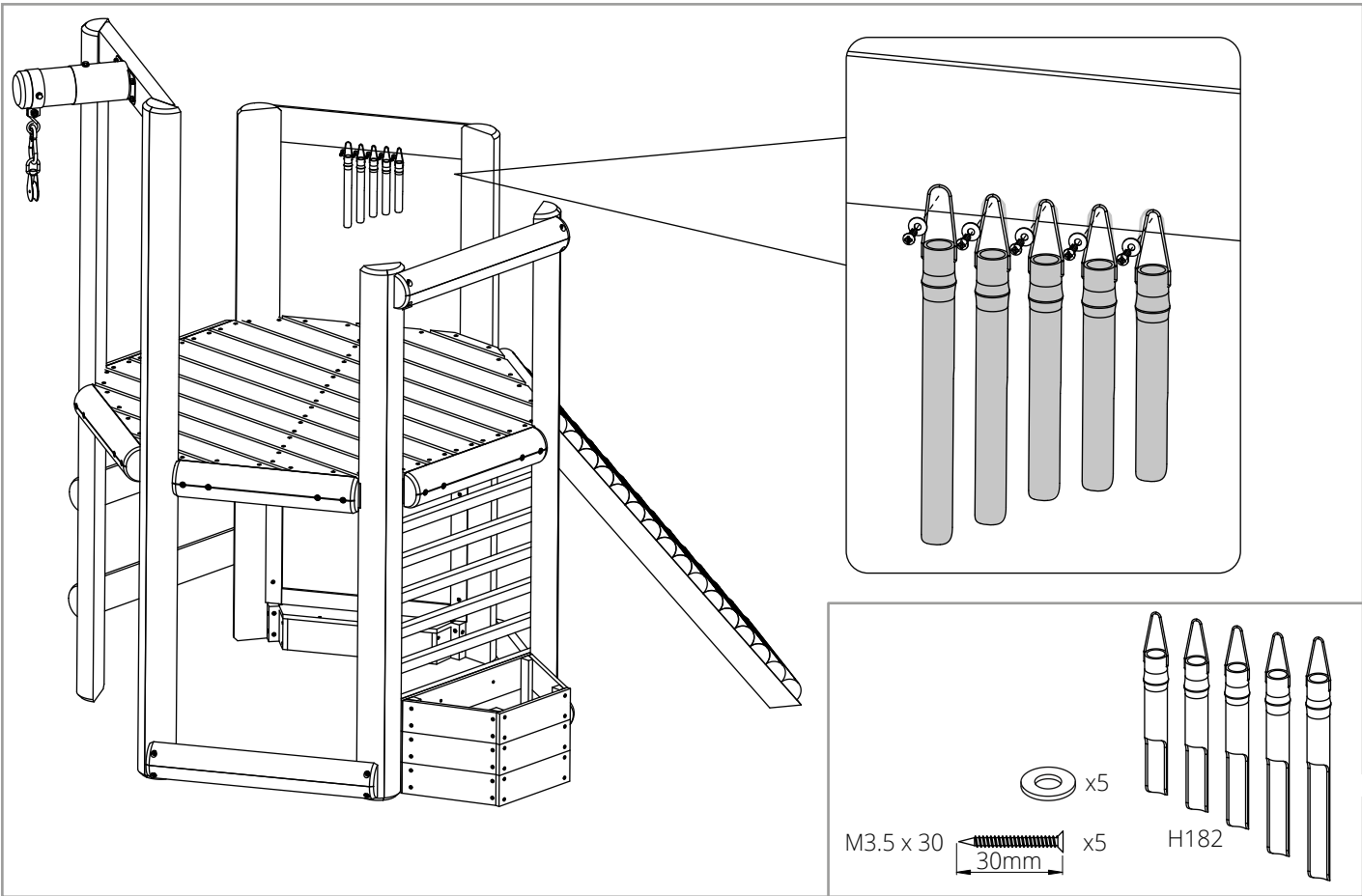


1
2
3
4
5
6
7
8
9
10
11
12
13
14
15
16
17
18
19
20
21
22
23
24
25
26
27
28
29
30
31
32
33
34
35
36
37
38
39
40
41
42
43
44

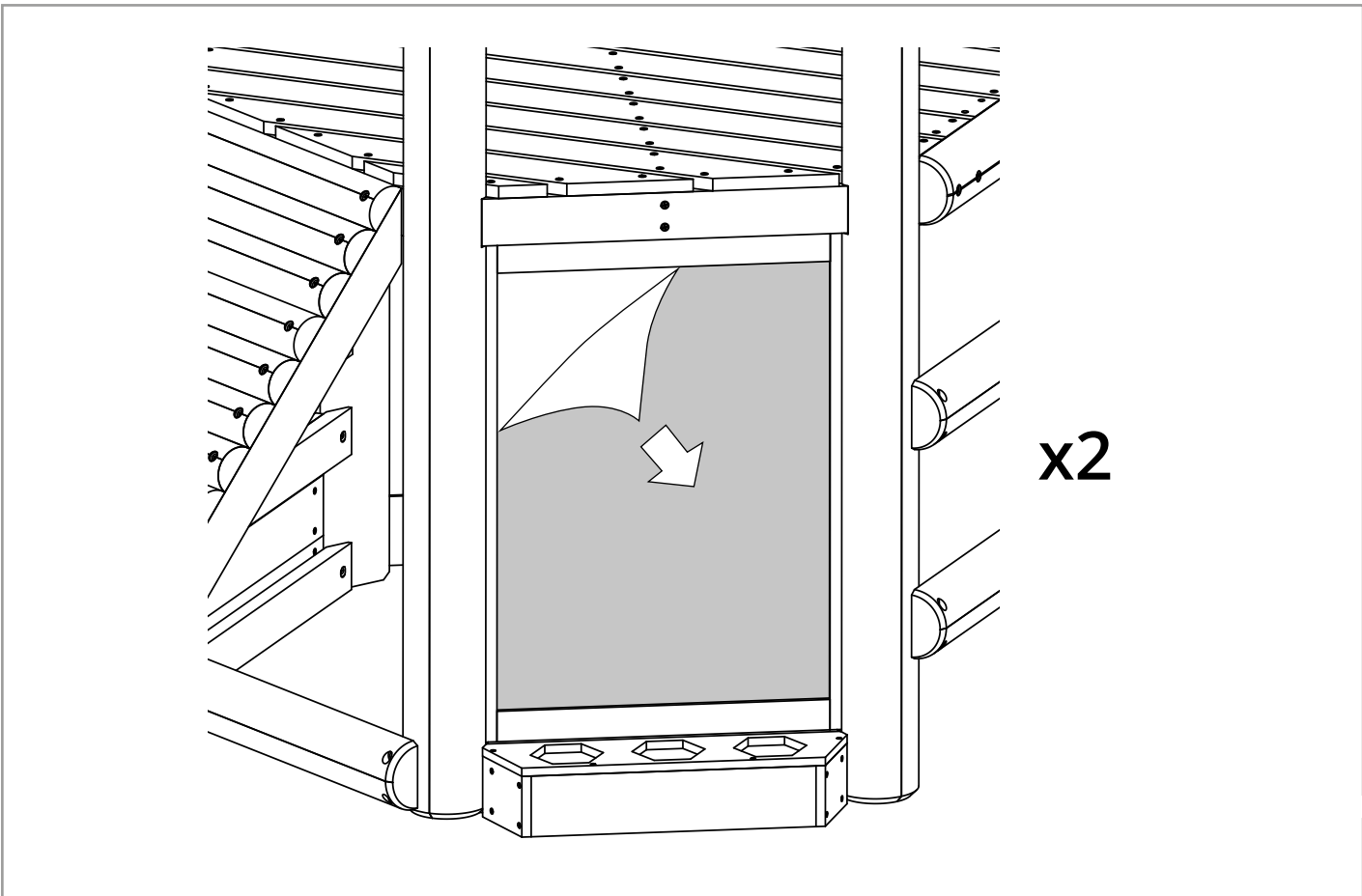


M5 x 40  x4



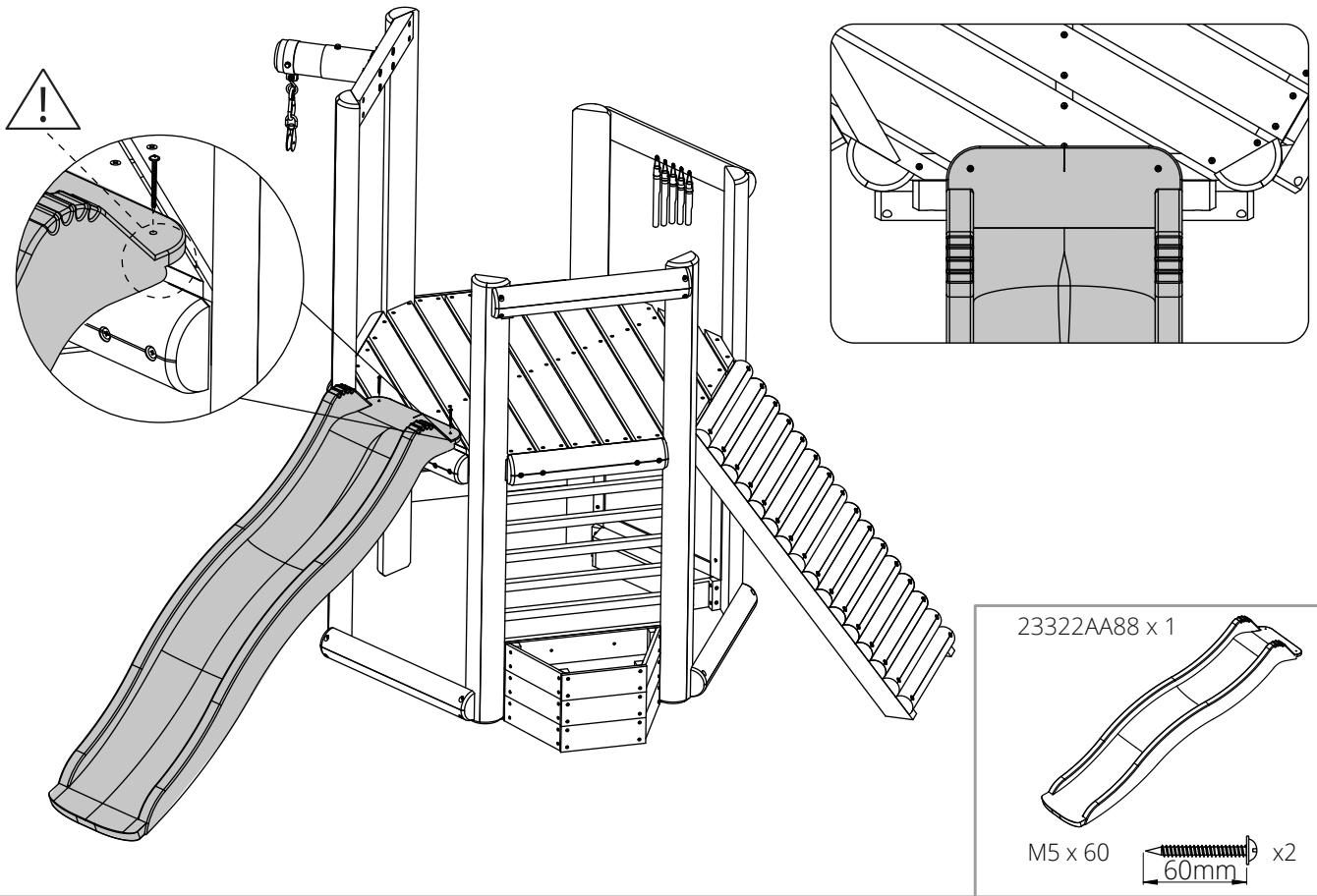


- 1
- 2
- 3
- 4
- 5
- 6
- 7
- 8
- 9
- 10
- 11
- 12
- 13
- 14
- 15
- 16
- 17
- 18
- 19
- 20
- 21
- 22
- 23
- 24
- 25
- 26
- 27
- 28
- 29
- 30
- 31
- 32
- 33
- 34
- 35
- 36
- 37
- 38
- 39
- 40
- 41
- 42
- 43
- 44

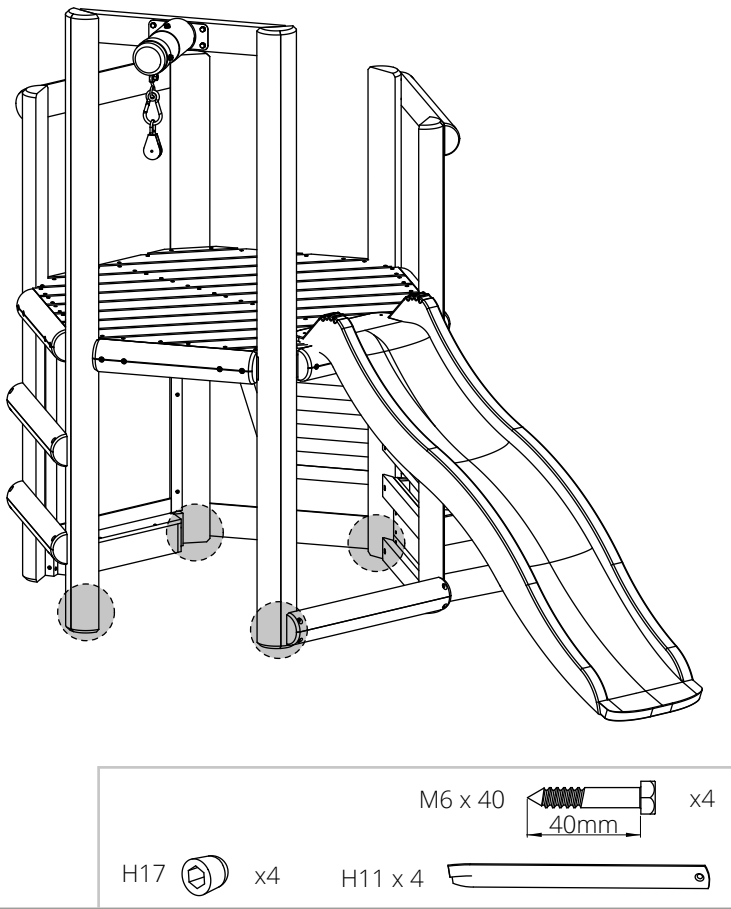
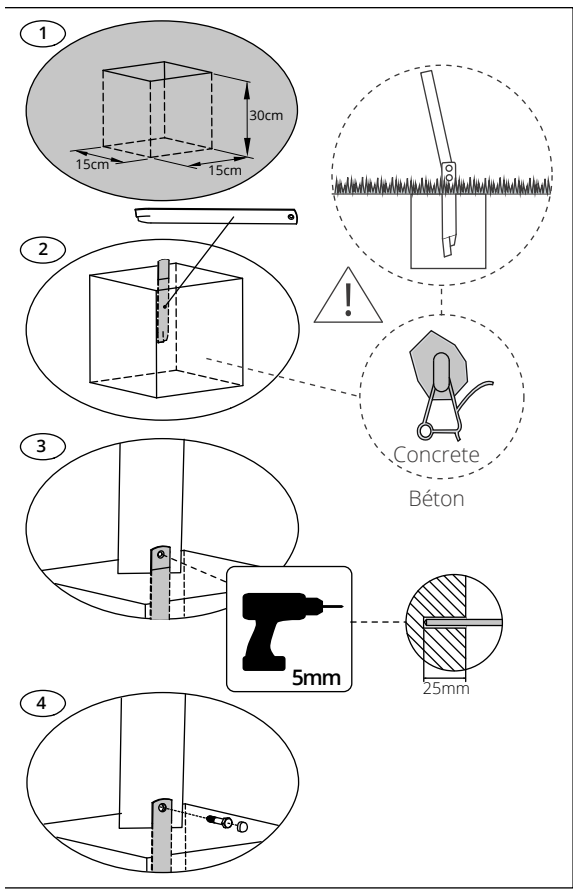


- 1
- 2
- 3
- 4
- 5
- 6
- 7
- 8
- 9
- 10
- 11
- 12
- 13
- 14
- 15
- 16
- 17
- 18
- 19
- 20
- 21
- 22
- 23
- 24
- 25
- 26
- 27
- 28
- 29
- 30
- 31
- 32
- 33
- 34
- 35
- 36
- 37
- 38
- 39
- 40
- 41
- 42
- 43
- 44

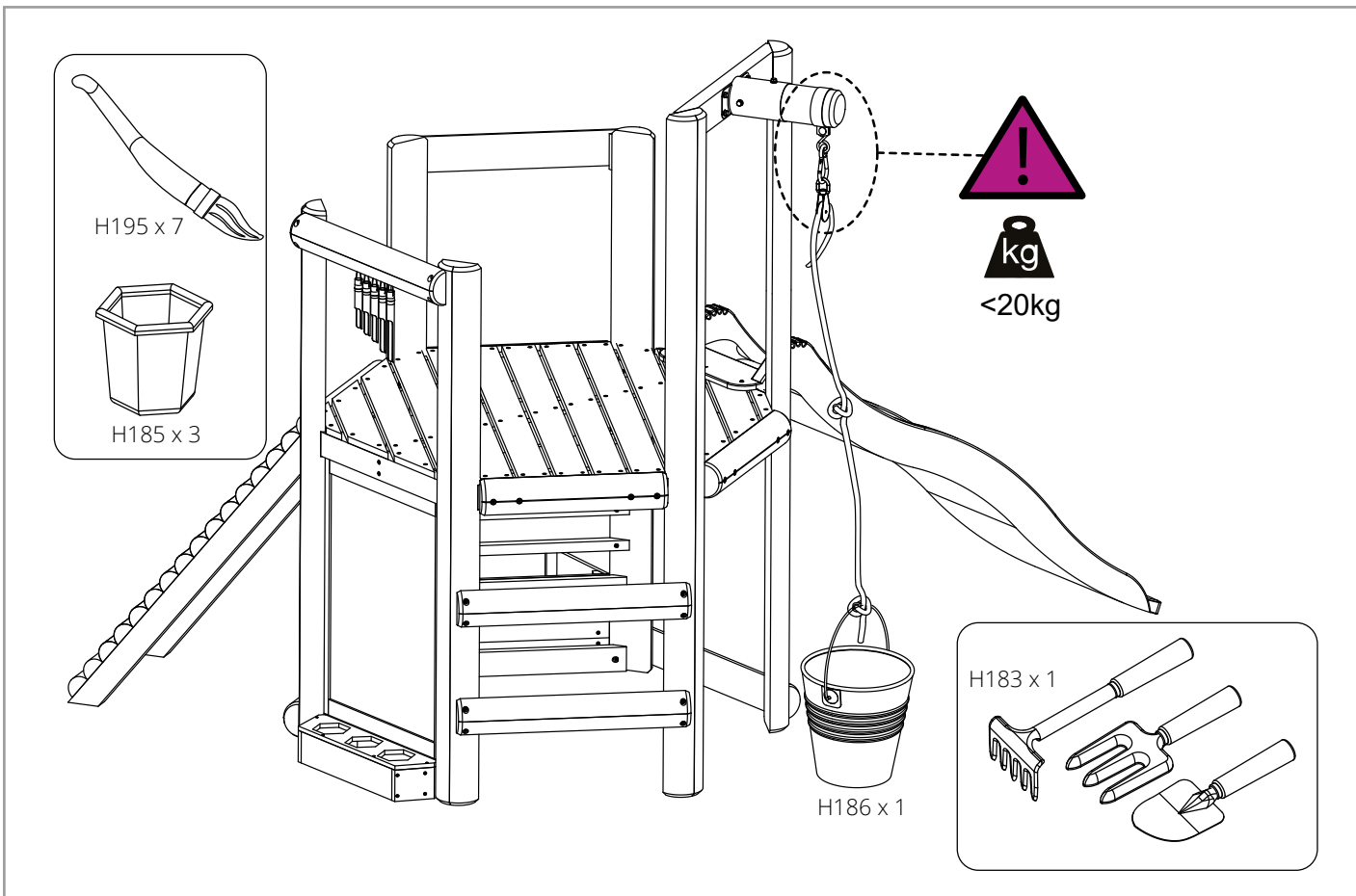
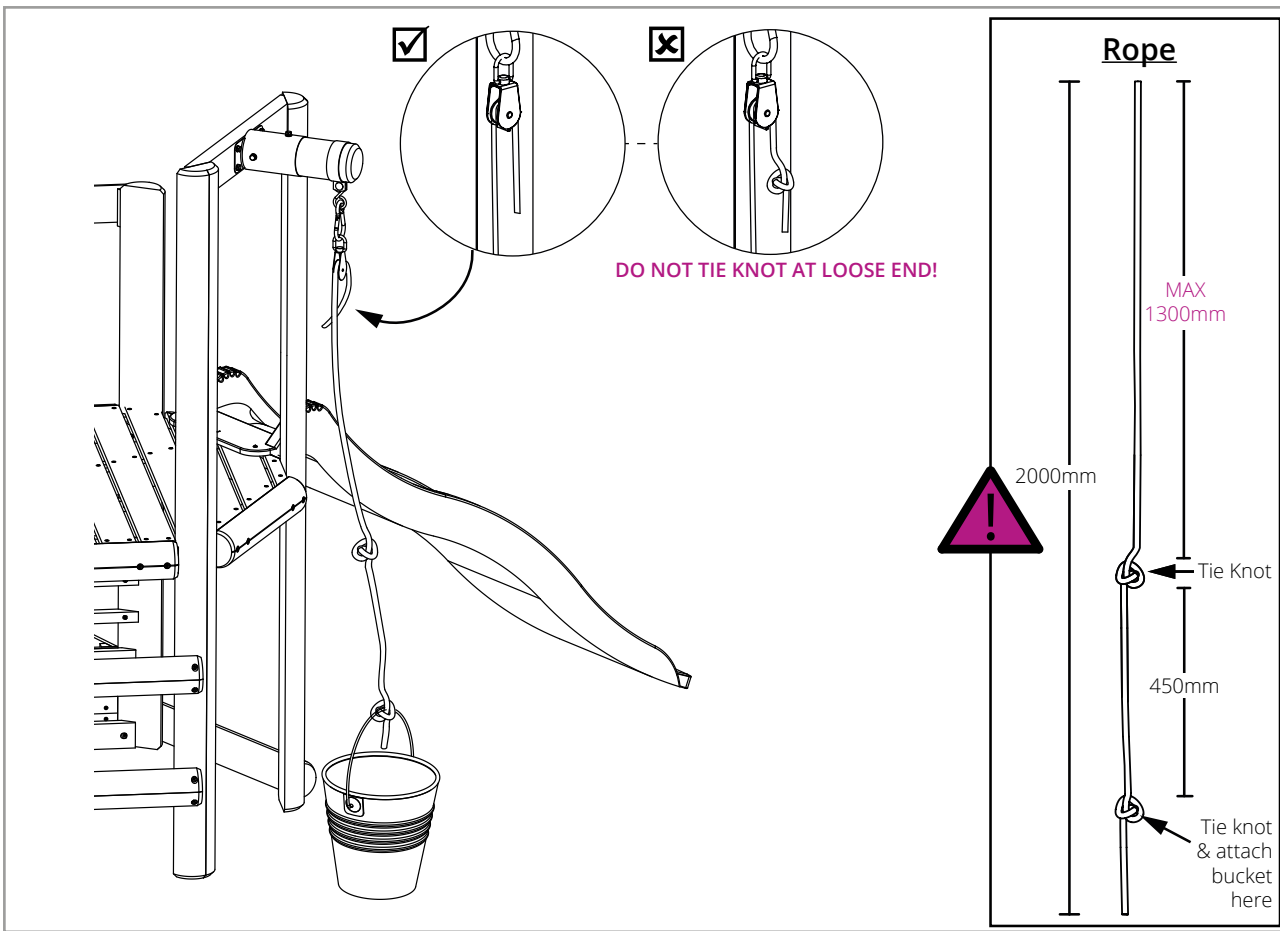
1
2
3
4
5
6
7
8
9
10
11
12
13
14
15
16
17
18
19
20
21
22
23
24
25
26
27
28
29
30
31
32
33
34
35
36
37
38
39
40
41
42
43
44



1
2
3
4
5
6
7
8
9
10
11
12
13
14
15
16
17
18
19
20
21
22
23
24
25
26
27
28
29
30
31
32
33
34
35
36
37
38
39
40
41
42
43
44



1
2
3
4
5
6
7
8
9
10
11
12
13
14
15
16
17
18
19
20
21
22
23
24
25
26
27
28
29
30
31
32
33
34
35
36
37
38
39
40
41
42
43
44



1
2
3
4
5
6
7
8
9
10
11
12
13
14
15
16
17
18
19
20
21
22
23
24
25
26
27
28
29
30
31
32
33
34
35
36
37
38
39
40
41
42
43
44

FR Consignes de sécurité

Pour garantir votre sécurité et celle de vos enfants, veuillez lire la présente notice avant de monter et de mettre en place le bac à sable. Veuillez respecter les consignes suivantes pour garantir la sécurité de vos enfants.

Informations relatives au bois utilisé

Ce produit a été fabriqué à partir de bois de qualité soigneusement sélectionné, traité et transformé. Le bois étant un produit naturel, il peut changer d'aspect au fil du temps. Ces changements peuvent se manifester sous la forme:

- De fentes, trous, fissures, etc. dans le sens des fibres du bois. Ce phénomène, dû à la différence d'hygrométrie entre la surface et l'intérieur du bois, est inévitable, tout à fait normal et n'a aucun effet sur la solidité, la durée de vie et la garantie du bac.
- De légères déformations (retrait et gonflement) qui n'ont aucun effet sur la sécurité ou l'utilisation du bac.
- De décolorations dues au soleil. Appliquez tous les ans un traitement de protection approprié (p. ex. un produit hydrofuge) sur le bois.
- Au bout de la première année, utilisez un produit d'entretien répandant à la norme jouet.

Règlement relatif aux produits biocides (UE n°528/2012)

Le bois traité au Wolmanit Cx-10 est un article traité dans lequel plusieurs produits biocides ont été délibérément incorporés : l'hydroxyde carbonate de cuivre//l'acide borique. Ils protègent le bois contre la décomposition/les moisissures/l'attaque des insectes. Tenir à l'écart des produits alimentaires, des boissons et de la nourriture pour animaux.

Entretien

En cas de non-utilisation pendant une période prolongée (en particulier pendant la saison hivernale) il est recommandé de démonter les accessoires, notamment les balançoires, et de les entreposer dans un endroit sec pour prolonger leur durée de vie

ATTENTION!

Age minimum de l'utilisateur 3 ans • Assemblage par un adulte nécessaire • Ne jamais laisser un enfant jouer sans surveillance • Usage domestique uniquement • Destiné à l'usage externe uniquement • Ne convient pas aux enfants de moins de 36 mois: petites pièces - risque d'étouffement, formes hémisphériques - risque de suffocation • Ne convient pas aux enfants de moins de 36 mois - risque de chute • Conservez les instructions de montage pour référence ultérieure • Placez sur une surface plane à au moins 2 mètres de toute structure ou obstacle tel que des barrières, un garage, une maison, des branches, des cordes à linge ou des fils électriques • Ne doit pas être installée sur du béton, de l'asphalte ou d'autres surfaces dures • Il est conseillé d'inspecter régulièrement (à savoir au début d'une saison et chaque mois ensuite) le bon état des parties principales et des fixations, que tout soit bien huilé (dans le cas de pièces métalliques), à ce qu'il n'y ait rien de saillant et à ce que tout soit intact. Remplacez, huilez et/ou resserrez le cas échéant. Le non suivi de ces précautions risque de blesser ou de poser un danger • Tous les accessoires attachés tels que les balançoires, les chaînes, cordes etc. doivent être régulièrement inspectés pour déceler la présence de détériorations. Remplacez les accessoires attachés en cas de signes de détérioration. Le non suivi de ces précautions risque de blesser ou de poser un danger • Tenir à l'écart des animaux • Ne pas mettre en bouche • Se laver les mains après usage • Attention : peut causer des réactions allergiques chez les personnes prédisposées • Poids maximum de l'utilisateur 50kg • Il est préférable de ne pas installer le toboggan face au soleil pour éviter que la surface de glissade soit trop chaude • Ne pas trop serrer les écrous et les vis étant donné que cela peut provoquer leur cisaillement et pourrait provoquer une défaillance de la structure • Veuillez s'il vous plaît ne pas apporter de modification au produit, cela pourrait provoquer une blessure ou créer un danger • Attention. Ne convient pas aux enfants de moins de 36 mois. Longue corde/Longue chaîne. Danger de strangulation.

L'extension de garantie est uniquement disponible au RU.

ES Sección de asesoramiento

Para garantizar su seguridad, la del instalador y la de sus hijos, es importante que lea completamente estas instrucciones antes de comenzar a colocar e instalar este producto.

Recomendaciones para la madera

Este producto se ha fabricado con madera de alta calidad. Hemos cuidado en detalle la selección, el tratamiento y la mecanización de la madera antes de ofrecérsela. La madera es un producto natural y, como tal, experimenta cambios en el curso de su vida. Esto significa que podría:

- Presentar grietas (brechas, rendijas, aperturas, rajaduras, fracturas) en la línea del grano. Estas aperturas de deben a la diferencia de humedad existente entre las superficies internas y externas de la madera. Es de esperar, es totalmente aceptable y no afectará a la resistencia integral, la duración o la garantía del producto.
- Deformación y distorsión de su forma. Cualquier distorsión será leve y no afectará a la seguridad ni al disfrute del producto.
- Pérdida de color por el efecto de la luz del sol. La madera se debería tratar con un producto patentado que actúe como barrera protectora, por ejemplo, un producto hidrófugo, una vez al año.
- Tras el primer año de uso, aplique un tratamiento de buena calidad seguro para el uso de los niños..

Reglamento sobre productos biocidas EU 528/2012

La madera tratada Wolmanit Cx-10 es un artículo tratado que incorpora productos biocidas: Carbonato hidróxido de cobre//ácido bórico. Protegen la madera del deterioro, la descomposición y los ataques de insectos. Manténganse alejados de la comida, la bebida y los utensilios para alimentar a los animales.

Mantenimiento rutinario

Durante largos periodos de inactividad (particularmente durante el invierno), se sugiere que los accesorios oscilantes se desmonten y se guarden en un lugar seco. Así, se prolongará la vida de tales accesorios

AVERTENCIA

Edad mínima del usuario 3 años • El montaje de este juguete debe llevarlo a cabo un adulto • Se recomienda en todo momento la supervisión de un adulto • Utilícese exclusivamente en el ámbito doméstico • Utilícese exclusivamente al aire libre • No es conveniente para niños menores de 36 meses: ya que posee partes pequeñas que podrían causar asfixia, formas hemisféricas - Peligro de asfixia • No es conveniente para niños menores de 36 meses: peligro de caídas • Conserve las instrucciones de montaje, ya que podría necesitarlas en el futuro • Colocar en una superficie plana a, al menos, 2 m de distancia de estructuras u obstrucciones tales como vallas, garajes, casas, ramas colgantes, tendales o cables eléctricos • No debe instalarse sobre superficies asfaltadas ni cementadas ni sobre cualquier otra superficie dura • Se aconseja comprobar regularmente (por ejemplo al principio de la temporada y, posteriormente, una vez al mes) que todas las partes/fijaciones estén bien sujetas, ubicadas (si son metálicas) e intactas y no presenten puntos ni bordes afilados. Sustituya, lubrique o apriete las partes/fijaciones según sea necesario. De no hacerlo, esto podría resultar en lesiones o situaciones peligrosas • Debe comprobarse regularmente que los componentes como columpios, cadenas, cuerdas, etc. no presenten signos de deterioro. En caso de que algún componente presente signos de deterioro, sustitúyalo. De no hacerlo, esto podría resultar en lesiones o situaciones peligrosas • Mantenga a los animales a una distancia segura de este producto • No introduzca el material en la boca • Lave las manos después de cada uso • Advertencia: puede provocar reacciones alérgicas en personas predisuestas • Peso máximo del usuario: 50kg • Podría ser adecuado garantizar que el tobogán no esté orientado en dirección al sol para evitar que la superficie se caliente en exceso • No sobreapriete tuercas ni tornillos. Esto podría provocar que se rompan y, potencialmente, causar un fallo estructural • No realice modificaciones en el producto, podrá provocar lesiones o peligros • Advertencia. No conviene para menores de 36 meses. Cuerda larga/Cadena larga. Peligro de estrangulamiento.

IT Awertenze di sicurezza

Per la sicurezza del montatore, quella dei vostri bambini e la vostra, prima di iniziare la posa e il montaggio della sabbiera è importante leggere attentamente queste istruzioni.

Caratteristiche del legno

Questo articolo è prodotto in legno di elevata qualità. Prima della vendita, il legno è stato selezionato, trattato e lavorato con cura. Il legno è un prodotto naturale e quindi nel tempo può subire dei cambiamenti che possono manifestarsi nel modo seguente:

- Formazione di fenditure (fori, fessure, crepe) lungo le fibre. Queste aperture sono dovute alla differenza di umidità sulla superficie e all'interno del legno. Questo fenomeno è normalissimo e non influisce in

alcun modo sulla stabilità, la durata di vita e la garanzia del prodotto;

- Variazioni nella forma. Ogni cambiamento di forma è da considerarsi minimo e non influisce in alcun modo sulla sicurezza di questo prodotto;
- Scolorimento. L'esposizione diretta ai raggi solari può provocare lo scolorimento del legno, per cui ogni anno quest'ultimo andrebbe protetto con un prodotto adatto (per es. contro l'acqua)
- Dopo il primo anno trattare il prodotto con un prodotto di protezione di elevata qualità, adatto per i giochi in legno per bambini

Regolamento UE n. 528/2012 sui biocidi

Il legno trattato con Wolmanit Cx-10 è un prodotto lavorato che incorpora carbonato rameico/acido borico, due biocidi. Proteggono il legno da marcescenza, putrefazione e attacchi d'insetti. Conservare lontano da alimenti, bevande e mangimi.

Manutenzione

In caso di inutilizzo prolungato (in particolare durante la stagione invernale), si suggerisce di smontare gli accessori quali ad esempio le altalene e conservarle all'asciutto per prolungarne la durata

ATTENZIONE!

Età minima dell'utente 3 anni • È necessario l'assemblaggio di un adulto • Si raccomanda sempre la supervisione di un adulto • Solo per uso domestico • Solo per uso esterno • Non adatto a bambini al di sotto dei 36 mesi: contiene pezzi piccoli - pericolo di soffocamento, forme emisferiche - pericolo di soffocamento • Non adatto a bambini al di sotto dei 36 mesi. Pericolo di caduta • Conservare le istruzioni di assemblaggio per usi futuri • Posizionare su una superficie piana di almeno 2 metri da qualsiasi struttura o ostacolo come recinzione, garage, casa, rami sporgenti, linee di lavanderia o cavi elettrici • Non deve essere installata sul cemento, l'asfalto o qualsiasi altra superficie dura • Si consiglia, su base regolare (ad es. all'inizio della stagione e una volta al mese dopo di allora), di verificare che tutte le parti/l'equipaggiamento principali siano sicuri, ben oliati (se metallici), non presentino punte/ bordi taglienti e siano intatti. Se necessario, sostituire, oliare e/o serrare. La mancata osservanza di queste indicazioni potrebbe comportare infortuni o pericoli • Qualsiasi elemento fissato, come altalene, catene, corde, ecc. deve essere regolarmente esaminato alla ricerca di segni di deterioramento. Sostituirlo se presenta segni di deterioramento. La mancata osservanza di queste indicazioni potrebbe comportare infortuni o pericoli • Tenere gli animali a distanza di sicurezza da questo prodotto • Non mettere il materiale in bocca • Lavare accuratamente la mani dopo l'uso • Avvertenza: in soggetti predisposti può provocare reazioni allergiche • Peso massimo dell'utente 50kg • Si consiglia di non orientare lo scivolo verso il sole onde evitare che si surriscaldi eccessivamente durante la giornata • Non serrare eccessivamente i dadi e le viti, in quanto ciò potrebbe causarne il taglio e potenzialmente un guasto strutturale • Si prega di non apportare modifiche al prodotto, potrebbe provocare lesioni o rischi • Avvertenza. Non adatto a bambini di età inferiore a 36 mesi. Corde lunghe / catene lunghe. Rischio di strangolamento.

DE Sicherheitshinweise

Für die Sicherheit des Monteurs, die Sicherheit Ihres Kindes und für Ihre eigene Sicherheit ist es wichtig, dass diese Anleitung vor Beginn der Positionierung und Montage des Produkts vollständig gelesen wird.

Hinweise zur Holzbeschaffenheit

Dieses Produkt wurde aus hochwertigem Holz hergestellt. Das Holz wurde vor dem Verkauf sorgfältig ausgewählt, behandelt und bearbeitet. Holz ist ein Naturprodukt und kann sich daher im Laufe der Zeit verändern. Die Veränderungen können sich wie folgt manifestieren:

- Es können sich Öffnungen (Lücken, Schlitze, Risse, Spalten) entlang der Holzfasern bilden. Diese Öffnungen entstehen durch den Feuchtigkeitsunterschied auf der Holzoberfläche und im Inneren des Holzes. Dies ist zu erwarten, vollkommen akzeptabel und beeinträchtigt die eigentliche Stabilität, Lebensdauer und Garantie des Produktes keinesfalls.
- Veränderungen in der Form. Jegliche Formveränderung wird geringfügig sein und die Sicherheit sowie die Freude an diesem Produkt nicht beeinträchtigen.
- Das Holz kann unter Sonneneinstrahlung verblassen. Das Holz sollte jedes Jahr mit einem geeigneten Produkt, z.B. zum Schutz vor Wasser,

behandelt werden.

- Behandeln Sie das Produkt nach dem ersten Gebrauchsjahr mit einem hochwertigen Pflegemittel, das für den Einsatz an Kinderspielzeug geeignet ist.

Verordnung (EU) Nr. 528/2012 zu Biozidprodukten

Mit Wolmanit Cx-10 behandeltes Holz ist ein behandeltes Produkt, das die folgenden Biozidprodukte enthält: Kupferhydroxidcarbonat/III/Borsäure. Diese schützen Holz vor Fäulnis, Verrottung und Insektenbefall. Von Lebensmitteln, Getränken und Tiernahrung fernhalten.

Instandhaltung

Es wird empfohlen, dass Geräte wie Schaukeln bei längerer Nichtverwendung (insbesondere im Winter) abgebaut und an einem trockenen Ort gelagert werden. Dies verlängert die Lebensdauer eines solchen

ACHTUNG!

Das Mindestalter für Benutzer beträgt 3 Jahre • Montage muss durch einen Erwachsenen erfolgen • Sollte nur unter unmittelbarer Aufsicht von Erwachsenen benutzt werden • Nur zur Nutzung im Freien geeignet • Nur für den privaten Gebrauch • Nicht für Kinder unter 36 Monaten geeignet: Kleinteile - Erstickungsgefahr, Halbkugelformen - Erstickungsgefahr • Nicht geeignet für Kinder unter 36 Monaten - Sturzgefahr • Bewahren Sie die Montageanleitung für eine spätere Nutzung auf • Auf einer ebenen Fläche von mindestens 2 m von einer Struktur oder einem Hindernis wie Zaun, Garage, Haus, überhängenden Zweigen, Wäscheleinen oder elektrischen Drähten entfernt aufstellen • Sollte nicht über Beton, Asphalt oder anderen harten Oberflächen angebracht werden • Es wird empfohlen, dass alle wichtigen Teile/Befestigungen regelmäßig (also am Anfang der Saison und danach monatlich) darauf überprüft werden, ob diese sicher und gut geölt (falls metallisch) und intakt sind, und keine. Es wird empfohlen, dass alle wichtigen Teile/Befestigungen regelmäßig (also am Anfang der Saison und danach monatlich) darauf überprüft werden, ob diese sicher und gut geölt (falls metallisch) und intakt sind, und keine scharfen Ecken und Kanten aufweisen. Ersetzen, ölen und/oder ziehen Sie die Teile fest, wenn nötig. Wenn Sie dies nicht tun, kann dies zu Verletzungen oder Gefahren führen • Jegliche Befestigungen wie Schaukeln, Ketten, Seile etc. müssen regelmäßig auf Abnutzung überprüft werden. Ersetzen Sie jegliche Befestigungen, wenn diese Abnutzungen aufweisen. Wenn Sie dies nicht tun, kann dies zu Verletzungen oder Gefahren führen • Außer Reichweite von Tieren halten • Material nicht in den Mund nehmen • Nach der Verwendung, Hände waschen • Warnhinweis: In Personen, die sensibel auf bestimmte Stoffe reagieren, könnte es eine allergische Reaktion hervorrufen • Höchstgewicht des Benutzers 50kg • Möglicherweise muss sichergestellt werden, dass die Folie nicht direkter Sonneneinstrahlung ausgesetzt ist, um ein zu starkes Erwärmen der Oberfläche zu verhindern • Muttern und Schrauben nicht zu fest anziehen, da diese dann brechen können, was möglicherweise zu Strukturversagen führt • Keine Änderungen am Produkt vornehmen. Das kann zu Gefahren und Verletzungen führen • Achtung. Nicht für Kinder unter 36 Monaten geeignet. Lange Schnur/Lange Kette. Strangulationsgefahr.

AR التحذير

الحد الأدنى لعمر المستخدم 3

يتطلب لتثبيت أجزاء الجهاز شخص بالغ

ينصح بضرورة وجود إشراف دائم من كبار السن عند استخدام الجهاز

للاستخدام الداخلي فقط

للاستخدام في الهواء الطلق فقط

لا يصلح لاستخدام للأطفال دون 36 شهر - قطع صغير، خطر الاختناق

لا يصلح لاستخدام للأطفال دون 36 شهر - مخاطر الوقوع

احتفظ بالتعليمات الخاصة بتثبيت الجهاز للاستخدام مستقبلاً

يوضع على مستوي سطح 2 متر على الأقل بعيداً عن أي هيكل أو

مانع مثل السياج أو المرآب أو منزل أو أغصان متدلية أو أحبال

غسيل أو أسلاك كهربائية

احرص على تجنب التركيب فوق الأسطح الخرسانية، أو

الأسفلتية، أو الأسطح الصلدة الأخرى

ينصح القيام بشكل دوري (على سبيل المثال عند بداية الموسم

و، عند كل شهر فصاعداً، فحص القطع الرئيسية، وقوائم التثبيت

والتحقق من ثباتها، وتشحيمها بالشكل الملائم) إذا كانت مصنعة

من الفلزات)، والتأكد من عدم وجود نتوء في الأجزاء و الأطراف وسلامتها. احرص على استبدال القطع أو تشحيمها أو ربطها بإحكام عند الضرورة. اعلم بأن عدم القيام بمثل هذه الأمور قد ينجم عنها حدوث إصابات أو تعرضك للمخاطر. يراعى ضرورة الكشف الدوري على الأجزاء الملحقة مثل المزالج و البكرات والأحبال وغير ذلك لاحتمالات وجود ما يثبت تلفها وقم باستبدال الأجزاء الملحقة في حال ظهور ما يدل على تلفها. مع العلم "بأن عدم القيام بذلك قد ينجم عنه حدوث إصابات أو مخاطر.

لا تضع المادة في الفم

اغسل اليدين بعد الاستعمال

تحذير: قد يسبب المنتج ردود فعل تحسسية لدى الأشخاص الذين لديهم استعداد مسبق لذلك

الحد الأقصى لوزن المستخدم 50kg

قد يكون من المناسب التحقق من عدم مواجهة المنتج لاتجاه أشعة الشمس الأساسية حتى لا يسخن بدرجة كبيرة

لا تتبالغ في إحكام ربط الصواميل و المسامير حيث قد يتسبب ذلك في قصها ومن المحتمل أن يؤدي إلي عطل هيكلية

يرجى عدم إجراء أية تعديلات علي المنتج؛ فقد يؤدي ذلك إلي الإصابة أو التعرض للخطر

PL OSTRZEŻENIE!

Minimalny wiek użytkownika: 3 lat • Wymaga montażu przez osobę dorosłą • Zalecany jest stały nadzór osoby dorosłej • Tylko do użytku domowego • Tylko do stosowania na dworze • Nie nadaje się dla dzieci w wieku poniżej 36 miesięcy: małe elementy - ryzyko zadławienia, kształty półkoliste - ryzyko uduszenia • Nie nadaje się dla dzieci w wieku poniżej 36 miesięcy - ryzyko upadku • Zachowaj instrukcje montażu na przyszłość • Produkt należy położyć na płaskiej powierzchni co najmniej 2 m od jakiegokolwiek konstrukcji lub przeszkody, takiej jak ogrodzenie, garaż, budynek, zwisające gałęzie, sznurki do suszenia ubrań lub przewody elektryczne • nie należy instalować nad betonem, asfaltem i innymi twardymi nawierzchniami • Zaleca się regularne (tzn. na początku sezonu, a następnie raz na miesiąc) kontrolowanie wszystkich najważniejszych części i mocowań, w celu upewnienia się, że są bezpieczne, dobrze nasmarowane (w przypadku elementów metalowych), nie mają ostrych zakończeń/krawędzi i są nieuszkodzone. W razie potrzeby należy je wymienić, nasmarować i/lub poprawić mocowanie. W przeciwnym razie może dojść do obrażeń ciała lub sytuacji niebezpiecznych • Należy regularnie sprawdzać stan techniczny wszystkich elementów takich jak huśtawki, łańcuchy, liny itp. W razie stwierdzenia uszkodzeń lub oznak zużycia należy wymienić dany element. W przeciwnym razie może dojść do obrażeń ciała lub sytuacji niebezpiecznych • Nie wkładać materiału do ust • Po użyciu umyć ręce • Ostrzeżenie: Może wywołać reakcje alergiczne u osób podatnych na uczulenia • Maksymalna waga użytkownika 50kg • Warto zadbać, żeby zjeżdżalnia nie była ustawiona bezpośrednio w kierunku słońca, aby zapobiec nieprzyjemnemu nagrzaniu się jej powierzchni • Nie wolno za mocno dokręcać nakrętek ani śrub, ponieważ może to spowodować ich ścięcie i ewentualne uszkodzenie konstrukcji produktu • Nie należy wprowadzać żadnych modyfikacji w produkcie, ponieważ może to spowodować obrażenia ciała lub zagrożenie • Ostrzeżenie. Nieodpowiednie dla dzieci w wieku poniżej 36 miesięcy. Długa linka/Długi łańcuch. Niebezpieczeństwo uduszenia.

SV VARNING!

Lägsta användarålder 3+ år • Montering av en vuxen krävs • Tillsyn av en vuxen rekommenderas alltid • Endast för hemmabruk • Endast för utomhusbruk • Ej lämplig för barn under 36 månader: små delar - kvävningssrisk, halvklotsformer - kvävningssrisk • Ej lämplig för barn under 36 månader - risk för fall • Behåll monteringsanvisningarna för framtida bruk • Placera på en jämn yta minst två meter från byggnader eller hinder som staket, garage, hus, överhängande grenar, tvättlinor eller elledningar • Får inte placeras på betong, asfalt eller andra hårda underlag • Det rekommenderas att alla delar/ fästanordningar inspekteras regelbundet (t.ex. i början av säsongen och varje månad därefter) för att säkerställa att de är säkra och inoljade (om det är metalldelar), inte har några vassa spetsar/kanter och är intakta. Byt ut, olja och/ eller spänn åt vid behov. Underlåtenhet att göra detta, kan resultera i skador eller fara • Alla tillbehör som gungor, kedjor, rep, osv. måste inspekteras regelbundet för tecken på slitage. Byt ut samtliga tillbehör som uppvisar tecken på slitage. Underlåtenhet att göra detta, kan resultera i skador eller fara • Placera inte materialet i munnen •

Tvätta händerna efter användning • Varning: Kan orsaka allergiska reaktioner hos känsliga personer • Högsta användarvikt 50kg • Undvik att placera glidenheten i direkt solljus för att förhindra att ytan blir obehagligt varm • Dra inte åt muttrar och skruvar för hårt eftersom det kan få dem att slitas ned och potentiellt orsaka strukturella fel • Gör inga ändringar på produkten, det kan leda till skada eller fara • Varning. Inte lämplig för barn under 36 månader. Långt snöre/lång kedja. Risk för strypning.

NL WAARSCHUWING!

Minimum leeftijd van gebruiker: 3 jaar • Vrijdage je de montage van een volwassen persoon • Aanbeveling om de toezicht van een volwassen persoon • Alleen voor gebruik in de buitenlucht • Niet geschikt voor kinderen jonger dan 36 maanden: kleine onderdelen - verstikkingsgevaar, halfbolvormige onderdelen - verstikkingsgevaar • Niet geschikt voor kinderen jonger dan 36 maanden - valgevaar • Ponechajte si montážní návod pro budoucí použití • Plaats op een vlak oppervlak op minstens 2m van constructies en obstakels zoals hekken, garage, huis, overhangende takken, waslijnen of elektrische draden • Nesmí se instalovat nad betonovým, asfaltovým nebo jakýmkoliv jiným tvrdým povrchem • Doporučuje se, aby všechny hlavní díly/upevňovací prvky byly pravidelně kontrolovány (např. na začátku sezóny a pak jednou za měsíc), zdali jsou řádně zajištěny, dobře amazány (u kovových prvků) a zdali nemají žádné ostré body/hrany a zdali jsou kompletní. V případě potřeby je vyměňte, namažte a/nebo utáhněte. Pokud tak neučiníte, může to vést k úrazu či ohrožení • Všechna příslušenství, jako např. houpačky, řetězy, lana, atd., je nutno pravidelně kontrolovat, zda nevykazují příznaky opotřebení. Vyměňte jakákoliv příslušenství, jestliže zjistíte příznaky opotřebení. Pokud tak neučiníte, může to vést k úrazu či ohrožení • Stop het materiaal niet in de mond • Was de handen na gebruik • Waarschuwing: dit product kan allergische reacties veroorzaken bij vatbare personen • Maximální hmotnost uživatele 50kg • Zorg ervoor dat de glijbaan niet in de volle zon staat, zodat het oppervlak niet te heet wordt • Draai de moeren en schroeven niet te vast, anders kunnen ze gaan schuiven en mogelijk een structurele storing veroorzaken • Maak geen aanpassingen aan het product, dit kan letsel of gevaar veroorzaken • Waarschuwing. Niet geschikt voor kinderen jonger dan 36 maanden. Lang koord/Lange ketting. Verwurgingsgevaar •

CZ VAROVÁNÍ!

Minimální věk uživatele je 3 let • Vyzaduje se montáž dospelou osobou • Doporučuje se po celou dobu dozoru dospělé osoby • Pouze pro domácí použití • Pouze pro venkovní použití • Není vhodné pro děti mladší 36 měsíců: drobné součásti - nebezpečí udusení, polokulovité tvary - nebezpečí zadušení • Není vhodné pro děti mladší 36 měsíců - nebezpečí pádu • Ponechajte si montážní návod pro budoucí použití • Produkt umístěte na rovný povrch, minimálně 2 metry od jakékoli stavby nebo překážky, například plotu, garáže, domu, větví, šňůr na prádlo nebo elektrických kabelů • Nesmí se instalovat nad betonovým, asfaltovým nebo jakýmkoliv jiným tvrdým povrchem • Doporučuje se, aby všechny hlavní díly/upevňovací prvky byly pravidelně kontrolovány (např. na začátku sezóny a pak jednou za měsíc), zdali jsou řádně zajištěny, dobře namazány (u kovových prvků) a zdali nemají žádné ostré body/hrany a zdali jsou kompletní. V případě potřeby je vyměňte, namažte a/nebo utáhněte. Pokud tak neučiníte, může to vést k úrazu či ohrožení • Všechna příslušenství, jako např. houpačky, řetězy, lana, atd., je nutno pravidelně kontrolovat, zda nevykazují příznaky opotřebení. Vyměňte jakákoliv příslušenství, jestliže zjistíte příznaky opotřebení. Pokud tak neučiníte, může to vést k úrazu či ohrožení • Nevkládejte si materiál do úst • Po použití si umyjte ruce • Upozornění: O osob s příslušnou predispozicí může způsobovat alergické reakce • Maximální hmotnost uživatele 50kg • Doporučujeme zajistit, aby skličko nebylo obráceno přímo ke slunci, aby povrch nebyl nepřijemně horký • Matice a šrouby nepřetáhněte, neboť by to mohlo způsobit jejich opotřebení a případně zapříčinit konstrukční selhání • Neprovádějte žádné úpravy produktu, neboť by to mohlo mít za následek zranění nebo nebezpečnou situaci • Upozornění. Nevhodné pro děti mladší 36 měsíců. Dlouhá šňůra/dlouhý řetěz. Nebezpečí uškrcení.

SK UPOZORNENIE

Minimálny vek používateľa je 3 rokov • Vyzaduje sa montáž dospelou osobou • Dozor dospeléj osoby sa odporúča počas celého času • Iba pre domáce použitie • Iba pre vonkajšie použitie • Nevhodné pre deti mladšie ako 36 mesiacov: malé častice - riziko zadusenia, polgulové tvary - riziko zadusenia • Nevhodné pre deti mladšie ako 36 mesiacov - riziko pádu • Ponechajte si návod na montáž pre prípad budúceho použitia • Umiestnite na rovnú plochu minimálne 2 metre od akejkoľvek konštrukcie či prekážky, ako je plot, garáž, dom, previsajúce vetvy stromu, šnúry na sušenie bielizny či elektrické vedenie • Nesmie sa inštalovať nad betónovým, asfaltovým alebo iným tvrdým povrchom • Odporúča sa pravidelná kontrola (napr. na začiatku sezóny a potom mesiac) hlavných častí/upevnení, či sú zaistené, dobre naolejované (ak sú kovové), či na nich nie sú ostré body/rohové či sú kompletné. V prípade potreby ich nahraďte, naolejujte a/alebo utiahnite. Zanedbanie takejto činnosti môže mať za následok úraz alebo iné nebezpečenstvo

• Všetky prídavné zariadenia ako hojdačky, reťaze, laná a pod. musia byť pravidelne preskúšané či nevykazujú príznaky opotrebenia. Všetky zariadenia vykazujúce príznaky potrebenia vymeniť. Zanedbanie takejtočinnosti môže mať za následok úraz alebo iné nebezpečenstvo • Vyhňte sa kontaktu s ústami • Po použití si umyte ruky • Upozornenie: U citlivých jedincov môže vyvolať alergickú reakciu • Maximálna hmotnosť používateľa 50kg • Odporúčame zabezpečiť, aby nebola šmykľavka vystavená priamemu dopadu snežných lúčov, inak sa môže jej povrch nepríjemne zohriať • Matice a skrutky nepriťahujte viac ako je potrebné, môže to spôsobiť ich poškodenie a potenciálne vznik štruktúrálnej chyby • Produkt nemodifikujte žiadnym spôsobom, mohlo by to viesť k zraneniam či ohrozeniu • Opozorilo. Ni primerno za otroke, mlajše od 36 mesecev. Dolga vrvica/Dolga veriga. Nevarnost zadavitve.

DA ADVARSEL!

Minimum brugeralder 3 år • Skal samles af en voksen • Bør altid anvendes under opsyn af en voksen • Kun til hjemmebrug • Kun til udendørs brug • Ikke egnet til børn under 36 måneder: små dele - fare for kvælning, halvkugleformede former - kvælningsfare • Ikke egnet til børn under 36 måneder - faldfare • Gem samlevejledningen til fremtidig brug • Placer på en plan overflade, mindst 2 m fra enhver struktur eller obstruktion som et hegn, garage, hus, overhængende grene, tøjledninger eller elektriske ledninger • Må ikke installeres over beton, asfalt eller andre hårde overflader • Det anbefales at tjekke regelmæssigt (f.eks. i starten af sæsonen og derefter hver måned), at alle hoveddele/ fastgørelser er sikre, velsmurte (hvis de er af metal), ikke har skarpe punkter/kanter og er intakte. Udskift, smør og/eller stram efter om nødvendigt. Sker dette ikke, kan resultatet blive personskaade eller fare • Alle fastgørelser såsom gynger, kæder, reb osv. skal regelmæssigt undersøges for tegn på nedbrydning. Udskift fastgørelser, hvis der er tegn på nedbrydning. Sker dette ikke, kan resultatet blive personskaade eller fare • Kom ikke materialet i munden • Vask hænder efter brug • Advarsel: I prædisponerede personer kan det forårsage allergiske reaktioner • Maksimum brugervægt 50kg • Det kan måske være relevant at sikre, at slisken ikke vender direkte mod solen, så den ikke bliver ubehageligt varm • Overstram ikke møtrikker og skruer, da dette kan få dem til at skære og potentielt forårsage strukturføj • Foretag ikke nogen ændringer til produktet, da dette kan medføre skade eller fare • Advarsel. Ikke egnet for børn under 36 måneder. Lang snor/Lang kæde. Strangleringsfare.

HU FIGYELMEZTETÉS!

Minimális felhasználók kora 3 év • Felnőtt összeszerelése szükséges • Minden alkalommal egy felnőtt felügyelete mellett ajánlott • Csak otthoni használatra • Kültéri használatra • Nem alkalmas 36 hónapnál fiatalabb gyerekek számára - apró részek, fulladásveszély, félgömb alakú alkatrészek - fulladás veszély • Nem alkalmas 36 hónapnál fiatalabb gyerekek számára - esési veszély • Őrizze a szerelési utasítást későbbi használatra • Helyezze egyenletes felületre legalább 2 méter távolságra bármilyen szerkezettől vagy akadálytól, mint például kerítés, garázs, ház, túlnyúló faág, szárító kötél vagy elektromos vezeték • Nem telepíthető betonra, aszfaltra vagy bármely más kemény felületre • Azt ajánljuk, hogy a rendszeres használat alatt (vagyis a szezon elején, majd azután havonta) valamennyi főbb rész/szerelvény biztosítva legyen, jól olajozva (ha fém), hogy ne legyenek éles részek és, hogy sértetlen legyen. Cserélje ki, olajozza és/ vagy tegye feszesebbé ha szükséges. Ennek elmulasztása sérülést vagy veszélyt okozhat • Minden felszerelést, például hintát, láncokat, köteleket, stb. rendszeresen meg kell vizsgálni minőségromlás szempontjából. Cseréljen ki minden mellékletet, ha a minőségromlásnak jeleitőlálhatók. Ennek elmulasztása sérülést vagy veszélyt okozhat • Az anyagot ne vegye szájba • Használat után mosson kezét • Figyelmeztetés: Arra való fogékonyság esetén allergiás reakciókat okozhat • Max. terhelhetőség 50kg • Szükség szerint bizonyosodjon meg arról, hogy a csúszda nem a fő napsütési irányában áll, így megakadályozhatja, hogy a csúszda felszíne kellemetlenül meleg legyen • Ne szorítsa túl az anyákat és a csavarokat, mert eldeformálódhatnak és esetleges szerkezeti hibát okozhatnak • Kérjük ne végezzen semmilyen módosítást a terméken, mert az sérülést vagy veszélyt okozhat • Figyelmeztetés. 36 hónapos kor alatti gyermekek számára nem alkalmas. Hosszú zsinór/Hosszú lánc. Fojtásveszély.

TR UYARI!

Minimum kullanıcı yaşı 3 yıl • Bir yetişkin tarafından monte edilmesi gerekir • Her zaman yetişkin gözetimi önerilir • Yalnızca ev kullanımı için • Yalnızca dış mekan kullanımı • 36 aylıktan küçük çocuklar için uygun değildir - küçük parçalar, boğulma tehlikesi, Yarım Küresel Sekiller - düşme tehlikesi • 36 aylıktan küçük çocuklar için uygun değildir - düşme tehlikesi • Montaj açıklamalarını ileride kullanım için saklayın • Herhangi bir yapıdan veya çit, garaj, ev, sarkan dallar, çamaşır ipleri veya elektrik kabloları gibi engellerden en az 2 m mesafede düz bir zemine yerleştirin • Beton, asfalt veya herhangi diğer bir sert zemin üzerine kurulmamalıdır • Tüm ana parçalarını/ tespit elemanlarının güvenli, (metalikse) iyi yağlanmış olduğunu, keskin noktalar/ kenarlar olmadığını

ve sağlam olduğunu görmek için düzenli olarak (mevsim başında ve sonra her ay) kontrol edilmeleri önerilir. Gerektiğinde değiştirin, yağlayın ve/veya sıkılaştırın. Bunların yapılmaması yaralanmaya veya tehlikeye yol açabilir • Salıncak, zincir, halat vs. gibi ekler bozulma belirtisi olup olmadığını görmek için düzenli olarak incelenmelidir. Bunların yapılmaması yaralanmaya veya tehlikeye yol açabilir • Lütfen materyali ağzınıza koymayın • Kullanımdan sonra elleri yıkayın • Uyarı: Meyilli kişisel reaksiyonlara yol açabilir • Maksimum kullanıcı ağırlığı 50kg • Yüzeyin rahatsız edici derecede sıcak olmasının önlenmesi için kaydırma günneşin ana yönüne bakmamasını sağlamak uygun olabilir • Vida ve civataları fazla sıkıyırtmayın; çünkü bu, kırılmalarına ve olasılıkla yapısal bozukluğa neden olabilir • Lütfen üründen hiçbir değışiklik yapmayın, yaralanma ve tehlikeye sonuulanabilir • Uyarı. 36 aydan küçük çocuklar için uygun değildir.Uzun ip/ kordon / zincir. Boğulma tehlikesi.

EL ΠΡΟΕΙΔΟΠΟΙΗΣΗ!

Ελάχιστη ηλικία χρήση 3+ έτη • Απαιτείται συναρμολόγηση από ενήλικα • Συνιστάται η συνεχής επίβλεψη από ενήλικα • Μόνο για οικιακή χρήση • Μόνο για εξωτερική χρήση • Δεν είναι κατάλληλο για παιδιά κάτω των 36 μηνών: περιέχει μικρά κομμάτια - κίνδυνος πνιγμού, ημισφαιρικά σχήματα - κίνδυνος πνιγμού • Δεν είναι κατάλληλο για παιδιά κάτω των 36 μηνών - κίνδυνος πτώσης • Φυλάξτε τις οδηγίες συναρμολόγησης για μελλοντική χρήση • Τοποθετήστε σε επίπεδη επιφάνεια σε απόσταση τουλάχιστον 2 μέτρων από οποιαδήποτε δομή ή εμπόδιο, όπως φράχτες, γκαράζ, στίβια, κλαδιά, απλώστρες ή ηλεκτρικά καλώδια • η τοποθέτηση δεν πρέπει να γίνεται πάνω από σκυρόδεμα, ασφάλτο ή οποιαδήποτε άλλη σκληρή επιφάνεια • Σας συμβουλεύουμε να ελέγχετε τακτικά (δηλ. στην έναρξη της θερινής περιόδου και, κατόπιν, μία φορά το μήνα) αν όλα τα βασικά εξαρτήματα/ εξαρτήματα συναρμολογής είναι ασφαλή, σωστά λαδωμένα (αν είναι μεταλλικά), χωρίς αιχμηρά άκρα/ προεξοχές και ακέραια. Αντικαθιστάτε, λαδώνετε και/ή σφίγγετε τα εξαρτήματα όποτε απαιτείται. Διαφορετικά, ενδέχεται να προκύψει τραυματισμός ή κίνδυνος • Τυχόν εξαρτήματα πρόσδεσης όπως κούιντες, αλυσίδες, σχοινιά κλπ. πρέπει να ελέγχονται τακτικά για ενδείξεις φθοράς. Αντικαταστήστε οποιοδήποτε εξάρτημα πρόσδεσης, αν υπάρχουν σημάδια φθοράς. Διαφορετικά, ενδέχεται να προκύψει τραυματισμός ή κίνδυνος • Μη βάζετε το υλικό στο στόμα • Πλένετε τα χέρια μετά από την χρήση • Προσοχή: Ενδέχεται να προκληθούν αλλεργικές αντιδράσεις σε άτομα με προδιάθεση • Μέγιστο βάρος χρήστη 50kg • Συνιστάται η τσουλήθρα να μην είναι στραμμένη προς τον ήλιο προκειμένου να μην ζεσταίνεται υπερβολικά η επιφάνεια της • Μην σφίγγετε υπερβολικά τα παξιμάδια και τις βίδες, επειδή μπορεί να σπάσουν και να προκύψει δομικό σφάλμα • Μην τροποποιείτε το προϊόν, καθώς ενδέχεται να προκύψουν τραυματισμοί ή κίνδυνοι • Προειδοποίηση. Δεν είναι κατάλληλο για παιδιά κάτω των 36 μηνών. Περιέχει μακρύ κορδόνι/ μακριά αλυσίδα. Κίνδυνος στραγγαλισμού.

ZH 警告!

最低用户年 3+ 龄

需成人组装

建议成人监督使用

仅供家庭使用

仅供户外使用

不适合 36 个月以下的儿童 - 小部件有窒息危险, 半球形状 - 有窒息危险

不适合3岁以下儿童-跌落危险

要将这些说明书存放在安全之处以备后用

放置在水平表面上, 其距离任何建筑物或障碍物至少 2 米, 如栅栏、车库、房屋、垂落的树枝、晾衣绳或电线

不得安装在水泥、柏油或任何其他坚硬表面上

“建议定期 (季节之初, 之后每月) 检查所有主要部件/附件是否安全稳定、上过油 (若为金属部件)、没有锋利尖端/边缘且完好无损。必要时更换、上油和/或拧紧。否则可能会造成伤害或危害 “

必须定期检查所有附件 (例如秋千、链条、绳索) 有无损坏迹象。若有损坏迹象, 应更换 附件。否则可能会造成伤害或危害让动物与产品保持安全距离。

切勿将此物放入口中。

用后请洗手。

警告: 对易感人群而言, 它可能会导致过敏反应。

横梁最大承重20kg

最大用户体重 50kg

需确保不要将滑动部分放在阳光直射之处，以免表面晒得过热，令人不适。

勿将螺母和螺丝拧得过紧，否则会使其扭断并可能造成结构损坏。

请勿对产品进行任何改装，否则可能导致人身伤害或危险。

警告！不适合3岁以下儿童-长绳/长链，勒伤危险

IS VIÐVÖRUN!

Lágmarksaldur notanda 3 ár · Samsetning af hálfu fullorðinna áskilin · Eftirlit af hálfu fullorðinna áskilið öllum stundum · Aðeins til notkunar innanhúss · Aðeins til notkunar utanhúss · Geymið leiðbeiningahandbókina til síðari uppflettingar · Setjið á slétt yfirborð í a.m.k. 2 m fjarlægð frá öllum byggingum eða hindrunum eins og girðingum, bílskúrum, húsum, hangandi greinum, þvottasúrum eða rafmagnsvírum · Má ekki koma fyrir á steypu, malbiki eða öðru hörðu yfirborði · Mælt er með því að allir helstu hlutarnir/festingarnar séu skoðaðir reglubundið (þ.e. í byrjun tímabilsins og mánaðarlega eftir það) m.t.t. þess hvort þeir séu öryggir, vel smurðir (ef málmur), hafi enga skarpa odda/brúnir og séu óskemmdir. Skiptið um, smyrjið og/eða herðið þegar þörf krefur. Sé það ekki gert, getur það valdið meiðslum eða hættu Skoða þarf reglubundið alla aukahlutir eins og rólur, keðjur, reipi o.s.frv. Skiptið um aukahluti ef merki eru um skemmdir. Sé það ekki gert, getur það valdið meiðslum eða hættu · Vinsamlegast haldið dýrum í öruggri fjarlægð frá vörunni · Hámarksþyngd notanda 50 kg · Það kann að vera viðeigandi að tryggja að rólarnar snúi ekki í sólarátt til að koma í veg fyrir að yfirborðið verði óþægilega heitt · Vinsamlegast gerið engar breytingar á vörunni, það getur valdið meiðslum eða hættu · Viðvörðun. Ekki við hæfi barna undir 36 mánaða aldri. Löng snúra / Löng keðja. Hengingarhætta.

FI VAROITUS!

Ei alle 3-vuotiaille · Aikuisen on koottava tuote · Aikuisen on valvottava käyttöä koko ajan · Vain kotikäyttöön · Vain ulkokäyttöön · Ei sovellu alle 36 kuukauden ikäisille lapsille. Sisältää pieniä ja pyöreitä osia, jotka voivat aiheuttaa tukehtumisvaaran · Ei sovellu alle 36 kuukauden ikäisille lapsille – putoamisvaara · Säilytä nämä ohjeet · Sijoita trampoliini tasaiselle alustalle siten, että ympärillä on vähintään 2 metriä vapaata tilaa. Varmista, ettei lähellä ole aittaa, autotallia, taloa, roikkuvia oksia, pyykkinarua, sähkölinjoja tai muita esteitä · Älä asenna betonin, asfaltin tai muun kovan alustan ylle · Suosittelemme tarkistamaan säännöllisesti (esimerkiksi kauden alussa ja sitten joka kuukausi), että kaikki tärkeimmät osat/kiinnitysosat ovat turvallisia, kunnolla öljytyjä (jos metallisia) ja ehjiä ja ettei niissä ole teräviä kulumia/reunoja. Vaihda, öljyä ja/tai kiristä tarvittaessa. Muutoin seurauksena voi olla tapaturma tai vaaratilanne · Tarkista kaikki lisäosat, kuten keinut, ketjut, köydet jne. säännöllisesti heikentyneiden osien varalta. Vaihda lisäosat, mikäli niissä on merkkejä kulumisesta. Muutoin seurauksena voi olla tapaturma tai vaaratilanne · Pidä eläimet turvallisen etäisyyden päässä tuotteesta · Älä laita materiaalia suuhun · Pese kädet käytön jälkeen · Varoitut: Saattaa aiheuttaa allergisia reaktioita altistuneille henkilöille · Käyttäjän enimmäispaino 50 kg · Kannattaa varmistaa, että liukuosa ei ole aurinkoon päin, jotta pinnasta ei tulisi epämiellyttävän kuuma · Älä muuntele tuotetta. Tuotteen muuntelu voi johtaa tapaturmaan tai vaaratilanteisiin · Varoitut. Ei sovellu alle 36 kuukauden (36 kk) ikäisille lapsille. Pitkä naru tai pitkä ketju. Kuristumisvaara.

JP 警告!

ご使用は3歳以上に限ります。

大人の方が組み立てる必要があります。

常時、大人の方の監視が必要です。

ご家庭での使用に限ります。

屋外での使用に限ります。

マニュアルは大事に保管してください

フェンス、車庫、住宅、覆いかぶさった枝、物干し、電線などの構造物や障害物から最低2m離れた水平な面に設置してください。

コンクリート、アスファルトなどの固い面の上には設置しないでください。

定期的（つまり、使用期間の最初とその後は毎月）すべての主な部品や備品が安全で、十分に潤滑油が塗布されていて（金属の場合）、尖ったポイントや端がなく、欠陥がないことを点検することをお勧めします。必要であれば交換、潤滑油の塗布、締め付けを行います。点検を怠った場合、怪我をしたり、危険を引き起こす原因となります。

ブランコ、チェーン、ロープなどすべての付属部品は、老朽していないか定期的に点検する必要があります。老朽している場合は、付属部品を交換してください。点検を怠った場合、怪我をしたり、危険を引き起こす原因となります。

この製品と動物の間に安全な距離があるようにしてください。

最大耐荷重50kg

表面が熱くならないように、スライドは日光が当たる方向に向けにあ用にするといいでしょう

製品を改造しないでください。怪我をしたり、危険の原因となります。

NO ADVARSEL!

Minimum brukeralder 3 år · Må monteres av voksne · Må være under kontinuerlig oppsyn av voksne · Kun for hjemmebruk · Kun for utendørs bruk · Ikke egnet for barn under 36 måneder: små deler – kvelningsfare, hemisfæriske former – kvelningsfare · Ikke egnet for barn under 36 måneder – fare for fall · Oppbevar denne bruksanvisningen for senere bruk · Plasseres på en plan overflate minst 2 meter fra eventuelle bygninger eller hindringer, f.eks. gjerde, garasje, hus, overhengende grener, tørkesnorer eller elektriske ledninger · Må ikke monteres over betong, asfalt eller andre harde overflater · Det anbefales at man regelmessig (på begynnelsen av sesongen og deretter hver måned) kontrollerer at alle hoveddelene og festene er sikre, godt festet, godt oljet (for metaldeler), ikke har noen skarpe punkter eller kanter og er hele. Bytt ut deler, olje dem eller stram dem til når nødvendig. Hvis du unnlater å gjøre dette, kan det medføre skader eller fare · Alle festede deler og tilbehør, f.eks. husker, kjettinger, tau osv. må kontrolleres regelmessig for slitasje. Bytt ut deler som har tegn til slitasje. Hvis du unnlater å gjøre dette, kan det medføre skader eller fare · Hold dyr på trygg avstand fra dette produktet · Ha ikke materialet i munnen · Vask hender etter bruk · Advarsel: kan forårsake allergiske reaksjoner hos utsatte personer · Maksimal brukervekt 50 kg · Det kan være nødvendig å påse at sklien ikke er rettet direkte mot solen for å forhindre at overflaten blir ubehagelig varm · Du må ikke utføre endringer på produktet, da dette kan føre til skade eller fare · Advarsel. Ikke egnet for barn under 36 måneder. Lang snor/langt kjede. Kvelningsfare

PT AVISO!

Idade mínima do utilizador: 3 anos · Necessária a montagem por um adulto · Necessária a supervisão de adultos em todas as ocasiões · Apenas para uso doméstico · Apenas para uso no exterior · Guarde este manual de instruções nos seus registos · Colocar numa superfície nivelada a, pelo menos, 2 metros de distância de qualquer estrutura ou obstrução, como uma cerca, garagem, casa, ramos de árvore suspensos, cordas da roupa ou cabos elétricos · Não pode ser instalado sobre cimento, asfalto ou qualquer outra superfície dura · Aconselhamos a, de forma regular (ou seja, no início da temporada de utilização e depois mensalmente), verificar se todas as peças principais/fixações estão fixas, bem oleadas (se forem metálicas), não têm bordas afiadas e estão intactas. Substituir, olear e/ou apertar sempre que necessário. O incumprimento destas instruções pode resultar num ferimento ou perigo · Quaisquer acessórios, como baloiços, correntes, cordas, etc., têm de ser verificados regularmente quanto a danos de deterioração. Substituir quaisquer acessórios se houver sinais de deterioração. O incumprimento destas instruções pode resultar num ferimento ou perigo · Mantenha os animais a uma distância segura deste produto · Peso máximo do utilizador: 50 kg · Poderá ser apropriado garantir que o escorrega não voltado na direção principal do sol para impedir que a superfície fique desconfortavelmente quente · Não faça nenhuma modificação ao produto, pois pode resultar num ferimento ou perigo · Atenção. Não adequado para crianças com menos de 36 meses. Cabo comprido/corrente comprida. Risco de estrangulamento.

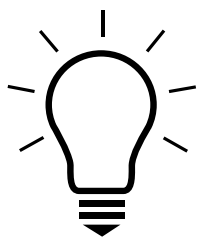
RO AVERTISMENT!

Vârsta minimă a copilului: 3 ani · Asamblarea de către un adult este obligatorie · Supravegherea de către un adult este necesară în permanentă · Doar pentru uz casnic · Doar pentru utilizare în aer liber · Păstrați acest manual de instrucțiuni pentru a-l consulta ulterior · Amplasați pe o suprafață plană, la cel puțin 2 m distanță de orice structură sau obstacol, cum ar fi garduri, garaje, case, crengi care atârână, sfori pentru rufe sau fire electrice · A nu se monta pe ciment, asfalt sau pe orice suprafață dură · Se recomandă ca, în mod regulat (adică la începutul sezonului și, ulterior, lunar), toate componentele principale/elementele de fixare să fie verificate pentru siguranță, să fie bine lubrifiate (dacă sunt din metal), să nu aibă vârfuri/margini ascuțite și să fie intacte. Înlocuiți-le, lubrifiați-le și/sau strângeți-le dacă este necesar. În caz contrar, ar putea surveni accidente sau pericole · Orice accesorii, cum ar fi leagăne, lanțuri, frânghii etc., trebuie să fie examinate în mod

regulat pentru a descoperi eventuale urme de deteriorare. Înlocuiți toate accesoriile care prezintă urme de deteriorare. În caz contrar, ar putea surveni accidente sau pericole • Țineți animalele la o distanță de siguranță de acest produs • Greutatea maximă a utilizatorului: 50 kg • Ar putea fi oportun să vă asigurați că toboganul nu este amplasat direct în lumina solară pentru a evita încălzirea incomodă a suprafeței. • Nu modificați produsul sub nicio formă; modificările ar putea duce la apariția unor accidente sau pericole • Avertisment. Nerecomandată copiilor mai mici de 36 luni. Coardă lungă/lanț lung. Pericol de strangulare.

RU ВНИМАНИЕ!

Минимальный возраст: 3 года • Сборка должна осуществляться совершеннолетним лицом • Дети всегда должны находиться под наблюдением взрослых • Только для домашнего использования • Для использования вне помещений • Сохраните настоящее руководство на будущее • Устанавливать на ровной поверхности и на расстоянии не менее 2 м от любых строений и препятствий, таких как забор, гараж, дом, свисающие ветви, бельевые веревки и электрические провода • Установка на бетоне, асфальте и любой другой твердой поверхности не допускается • Рекомендуется регулярно (т.е. в начале сезона и далее ежемесячно) проверять все основные детали/соединения на предмет надежности, наличия смазки (для металлических деталей), отсутствия острых углов/краев и целостности. Смазывайте и/или протягивайте соединения по мере необходимости. Несоблюдение этих инструкций может привести к травме • Все комплектующие, такие как качели, цепи, веревки и т.д. необходимо регулярно осматривать на наличие признаков износа. При обнаружении признаков износа замените комплектующие. Несоблюдение этих инструкций может привести к травме • Не допускайте животных к данному изделию • Максимальный вес пользователя: 50 кг • Рекомендуется не допускать прямого попадания солнечных лучей на поверхность горки во избежание чрезмерного нагрева • Не вносите изменения в конструкцию изделия — это может привести к травме или создать угрозу.



WORK WITH US

We are always looking for new innovations and ideas to grow our brand.

If you have an idea or concept, please visit www.plumplay.co.uk/inventors



Plum Products Ltd,
The Cliff,
Middle Street, Ingham, Lincolnshire,
LN1 2YQ, UK

Tel: +44 (0) 344 880 5302
Fax: +44 (0) 152 273 0379

contactus@plumproducts.com

plumplay.com

Copyright Plum Products 2019

Plum Products Australia Pty Ltd
Suite 303, 154 – 158 Military Road
Neutral Bay
NSW, 2089
AUSTRALIA

Helpline: (02) 8968 2200

Email: Aushelpdesk@plumproducts.com



00939