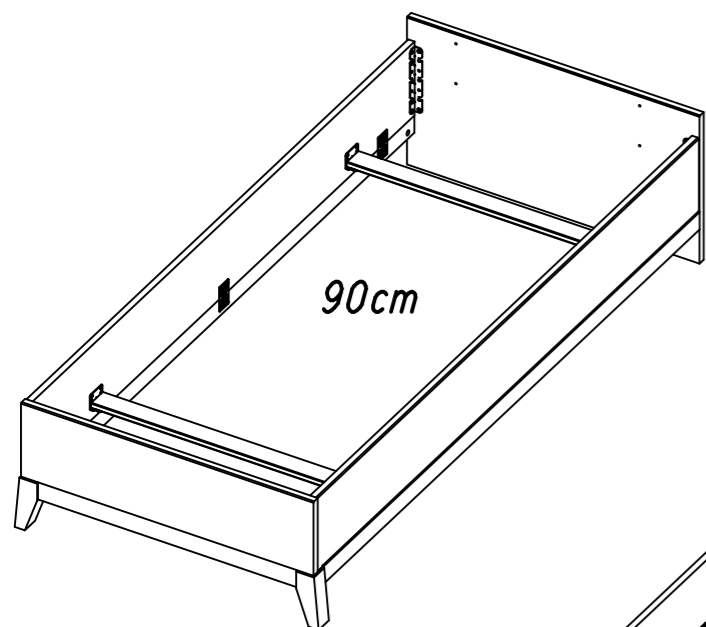
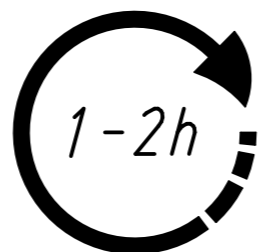
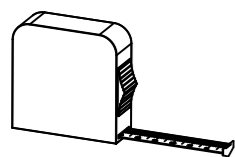
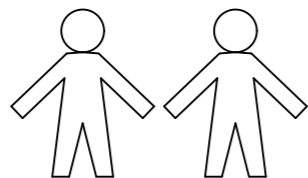
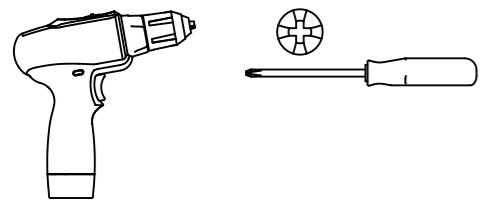


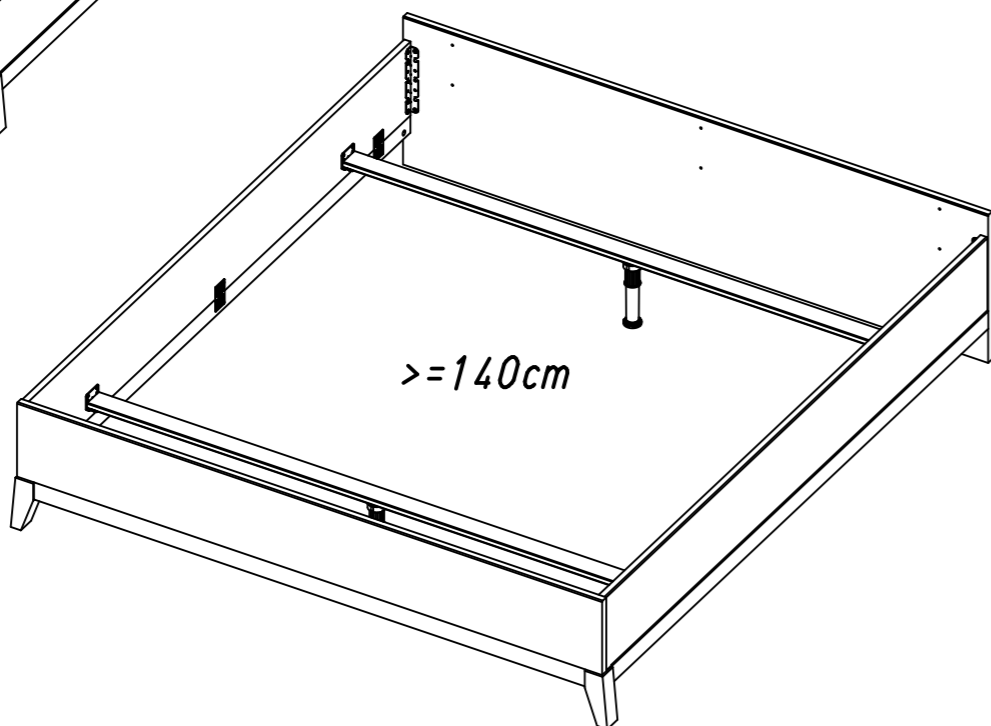
1.

M2428_02

rauch

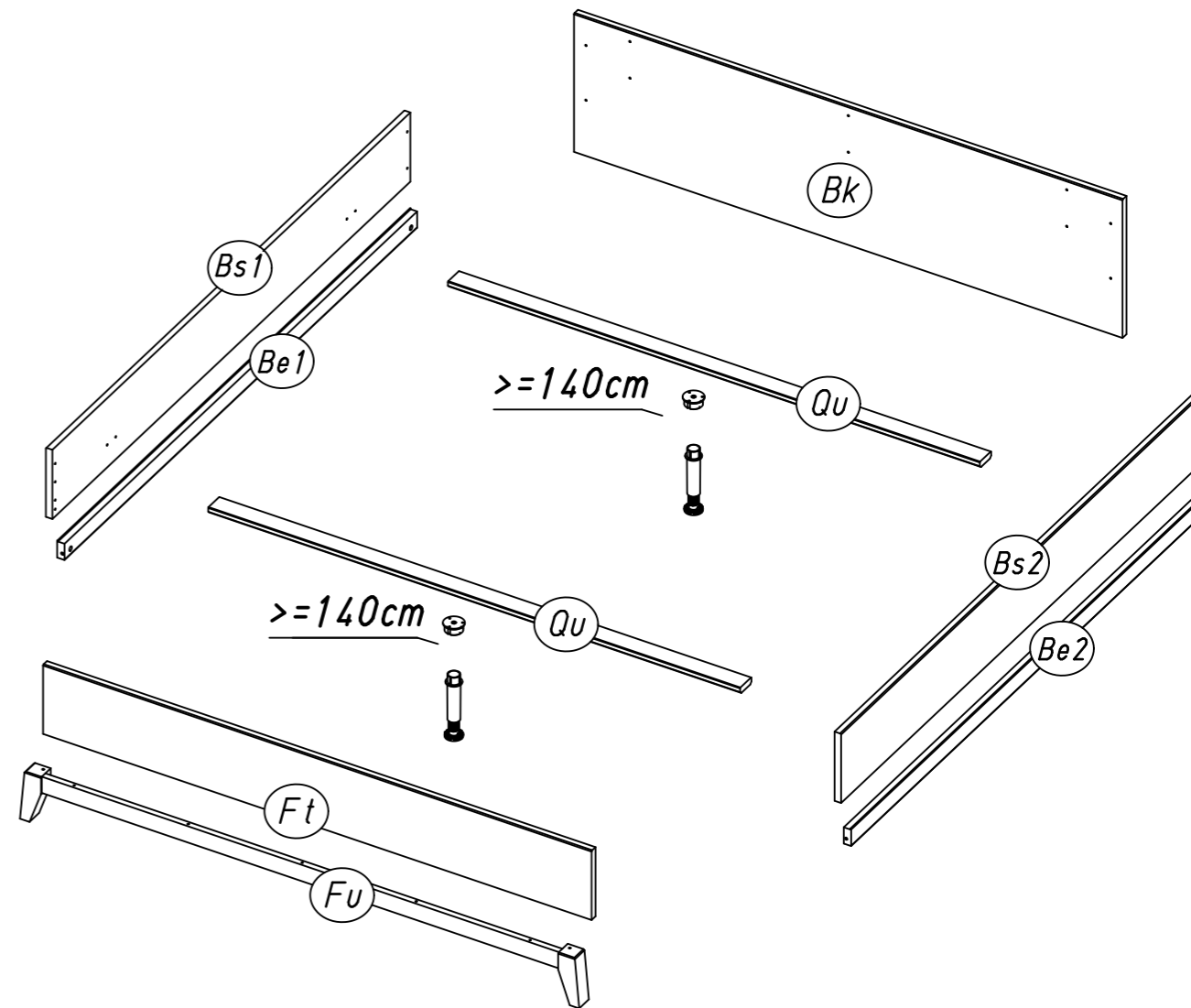


90cm



>=140cm

2.



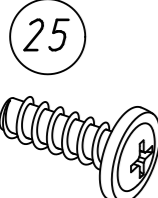
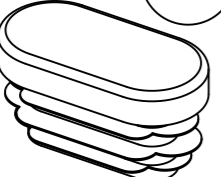
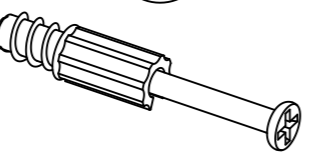
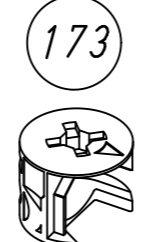



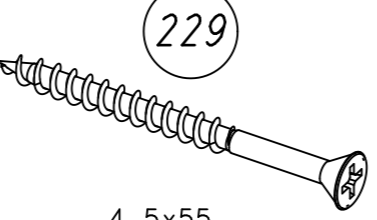
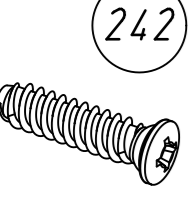
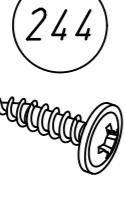
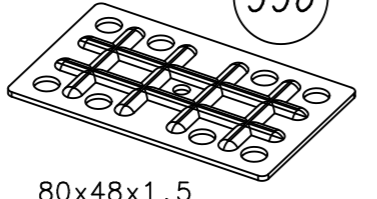
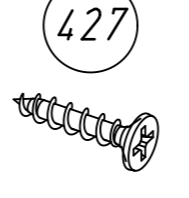
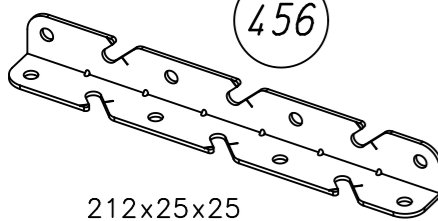
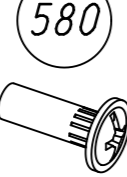
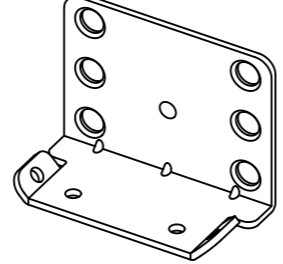
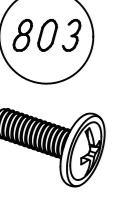
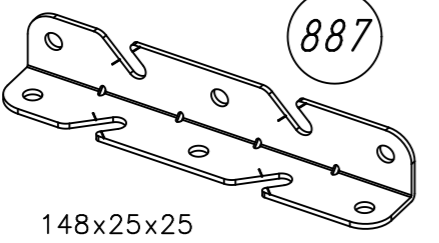
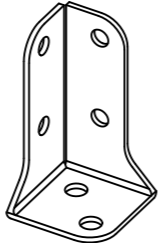
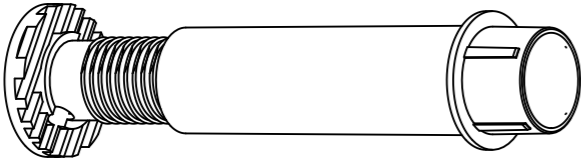
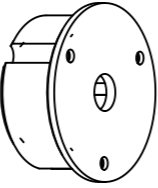
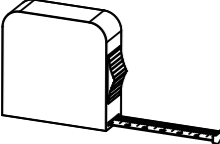
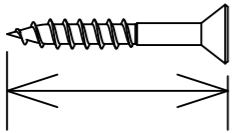
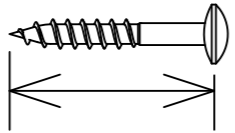
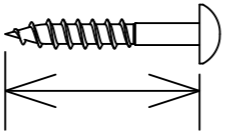
>=140cm

>=140cm

Ft


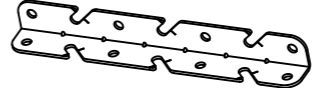


Fu

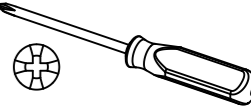
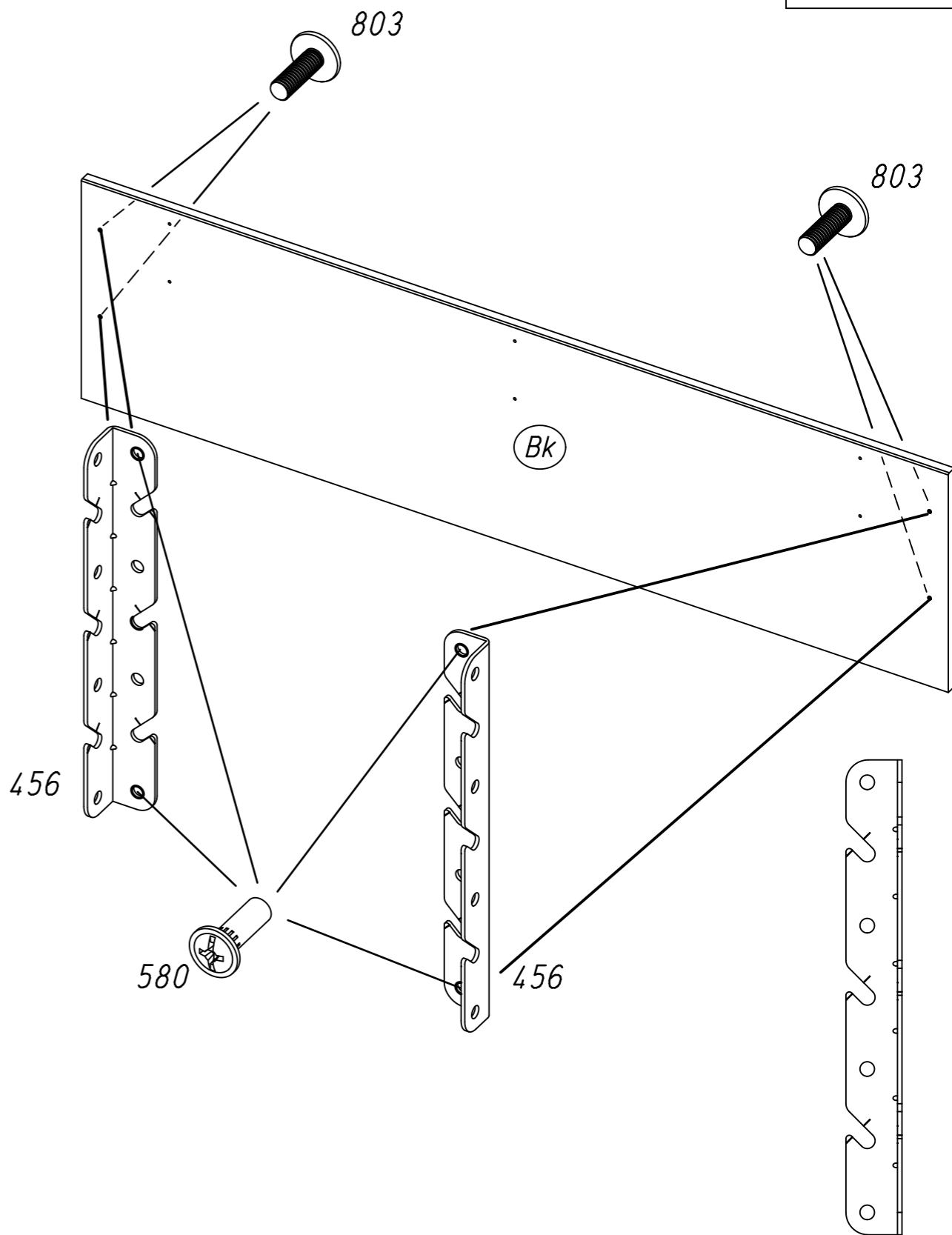
3.

 25 6,3x18	 114	 172	 173
 200 6,3x14	 202 4,5x16	 221 M6x20	 229 4,5x55
 242 6,3x25	 244 4,0x17	 330 80x48x1,5	 427 4,0x20
 456 212x25x25	 580 M4x15	 698	
 803 M4x12	 887 148x25x25	 1107	
 >=140cm Sf		 Ad	
			
0 20 40 60 80 100 mm			

M2428

4.

 1	2x  456	4x  580 M4x15	 803 M4x12
---	---	--	--

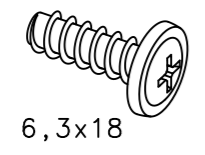



M2428

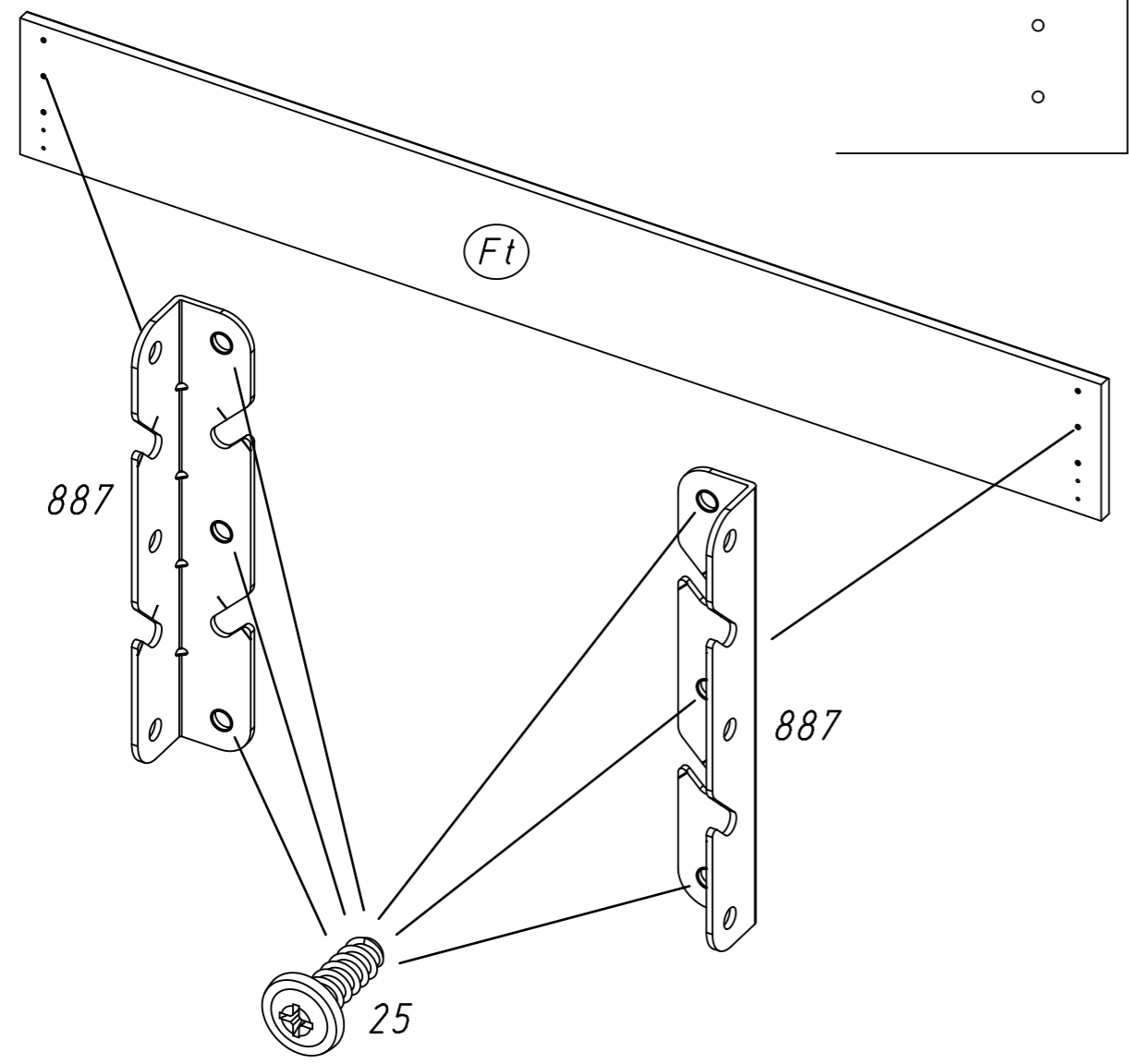
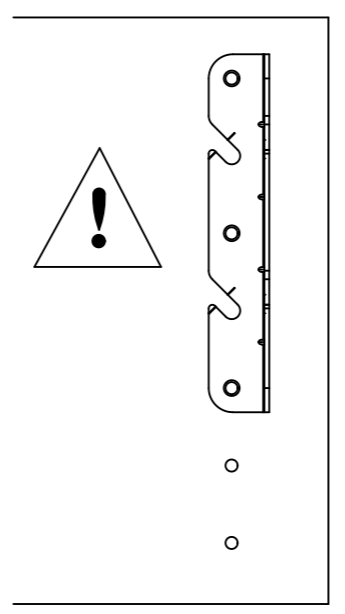
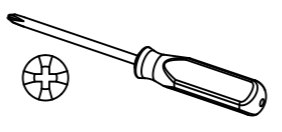
5.

2

6x 25



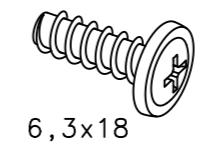
6,3x18



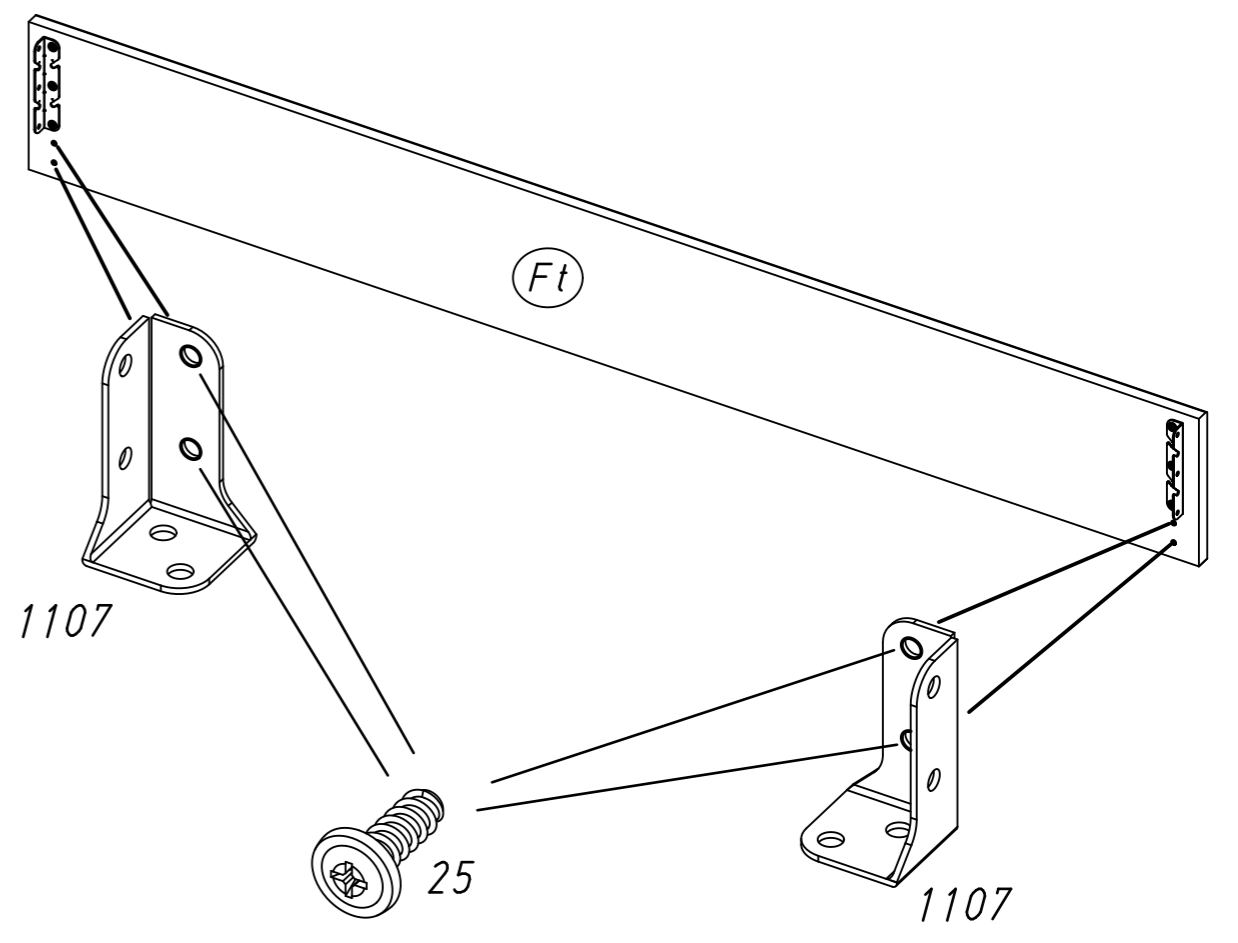
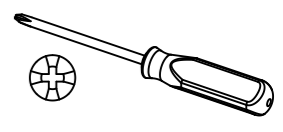
6.

3

4x 25

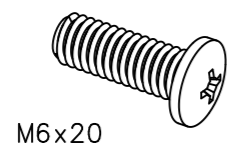


6,3x18

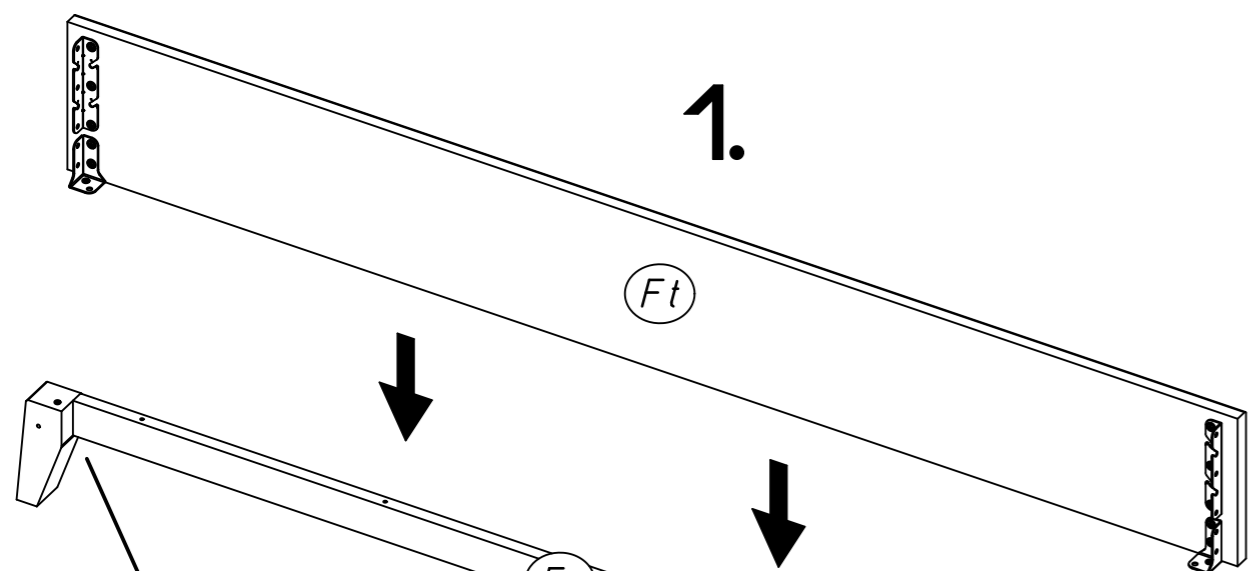
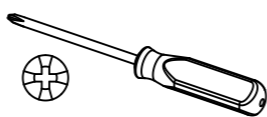


4

2x 221



M6x20

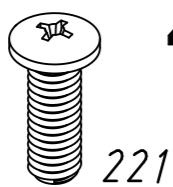


1.

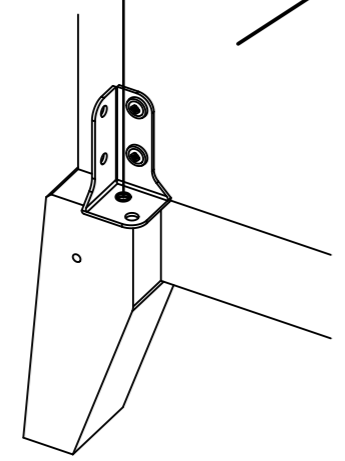
Ft

Fu

2.

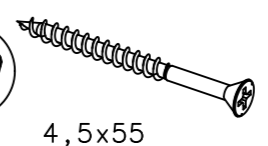


221



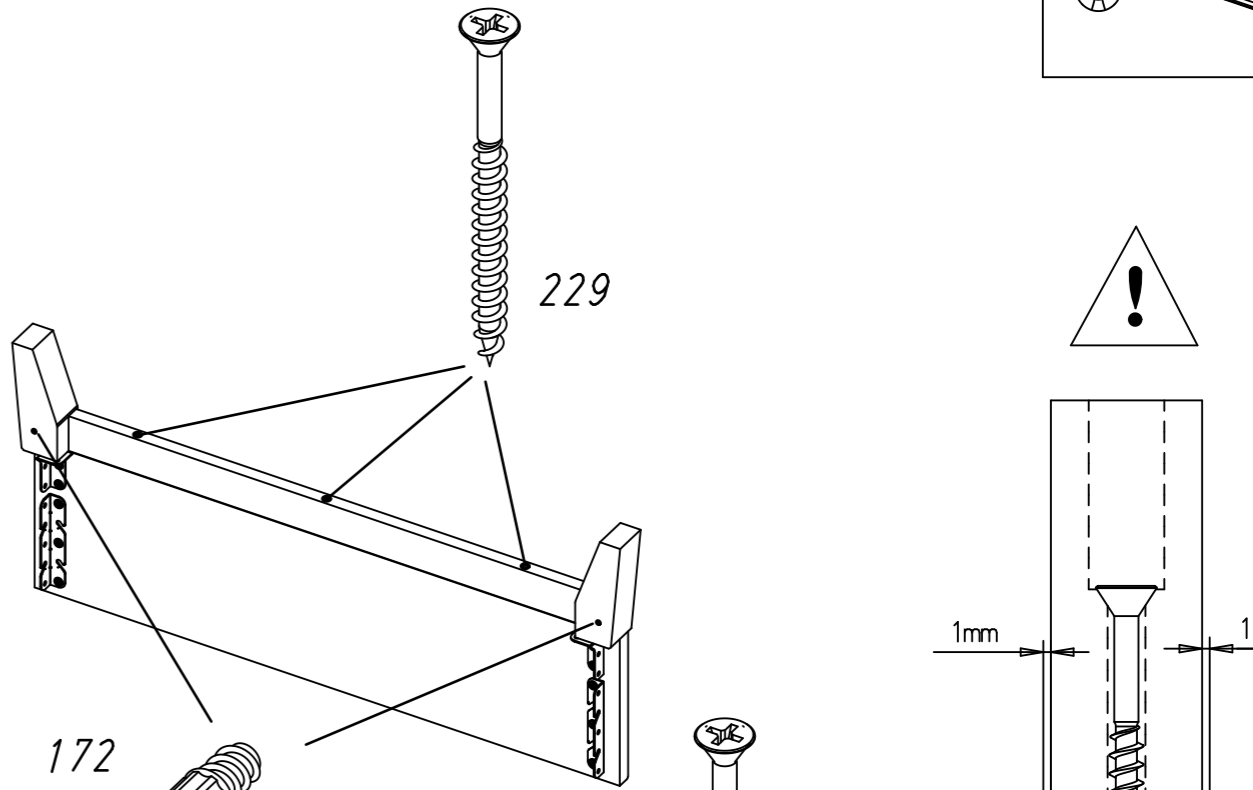
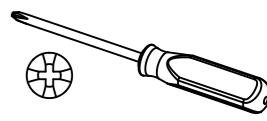
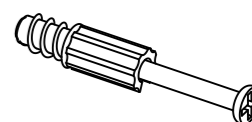
5

3/5x 229



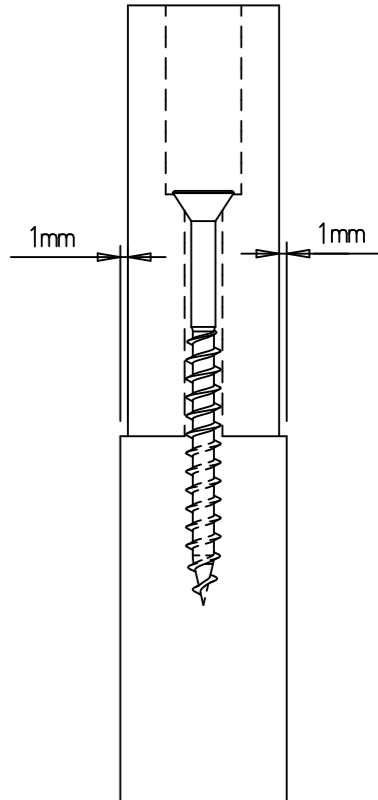
4,5x55

2x 172



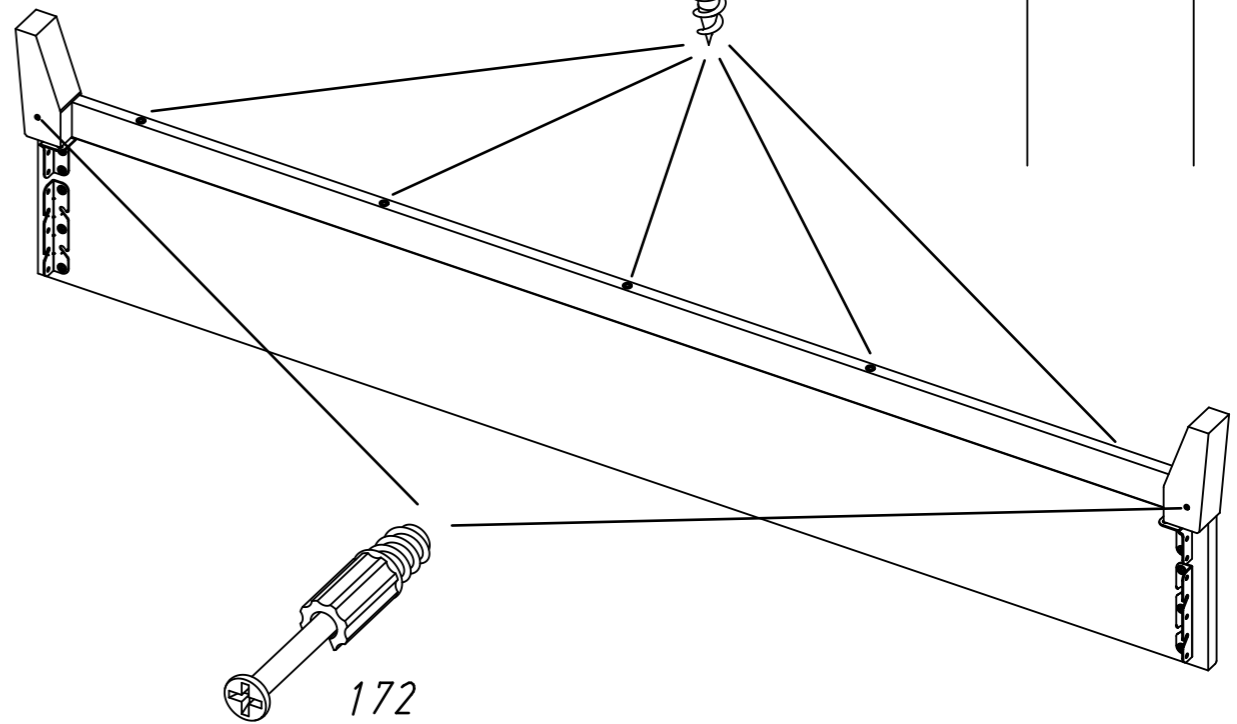
229

172



1mm

1mm

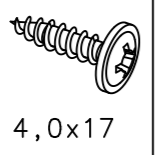


229

172

6

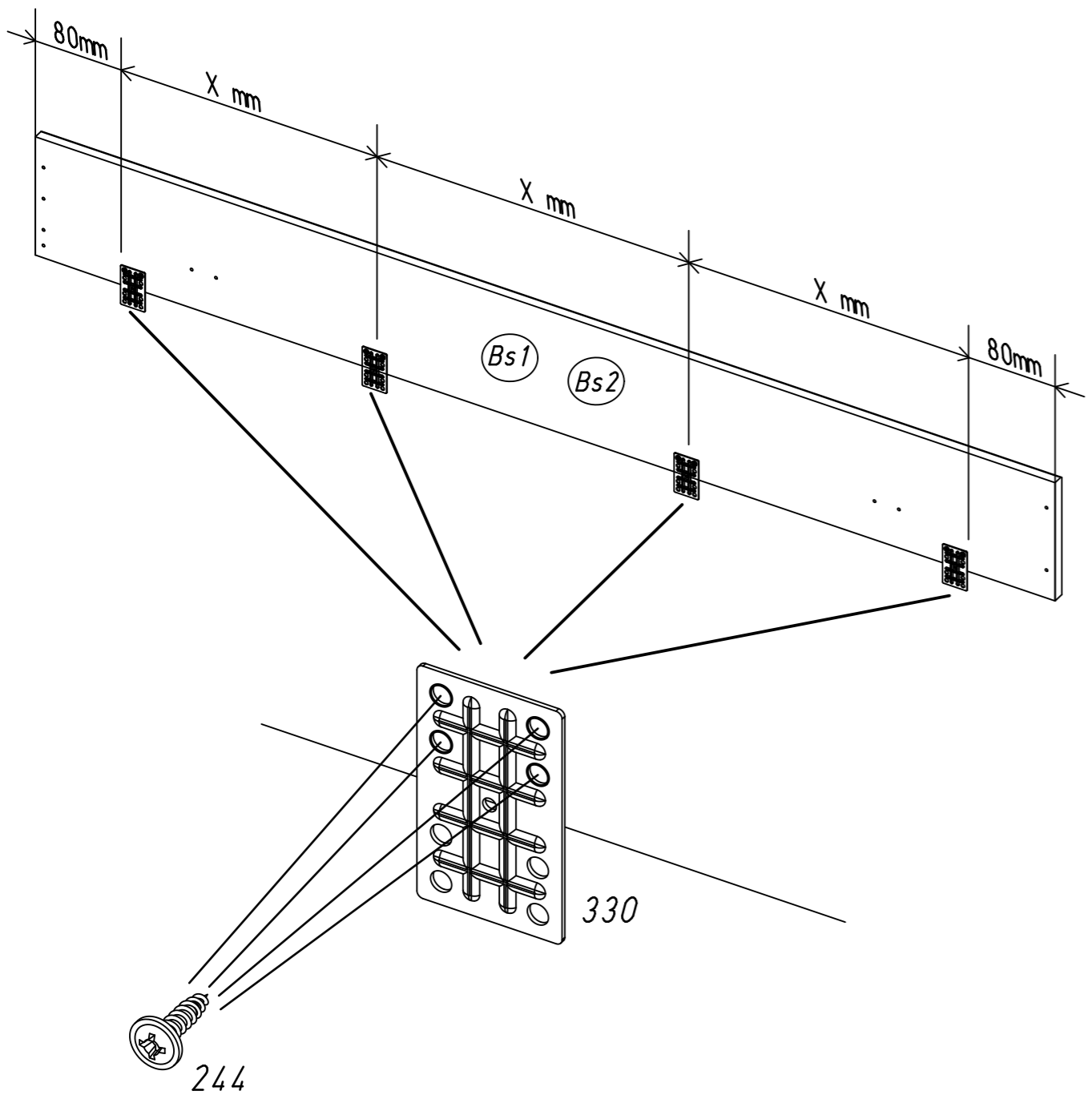
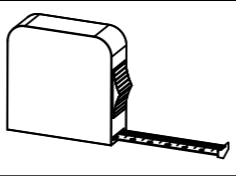
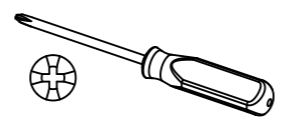
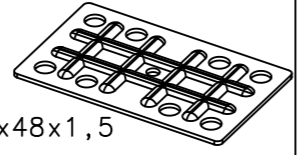
24x 244



4,0x17

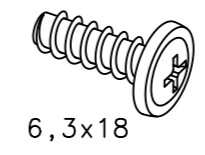
6x 330

80x48x1,5

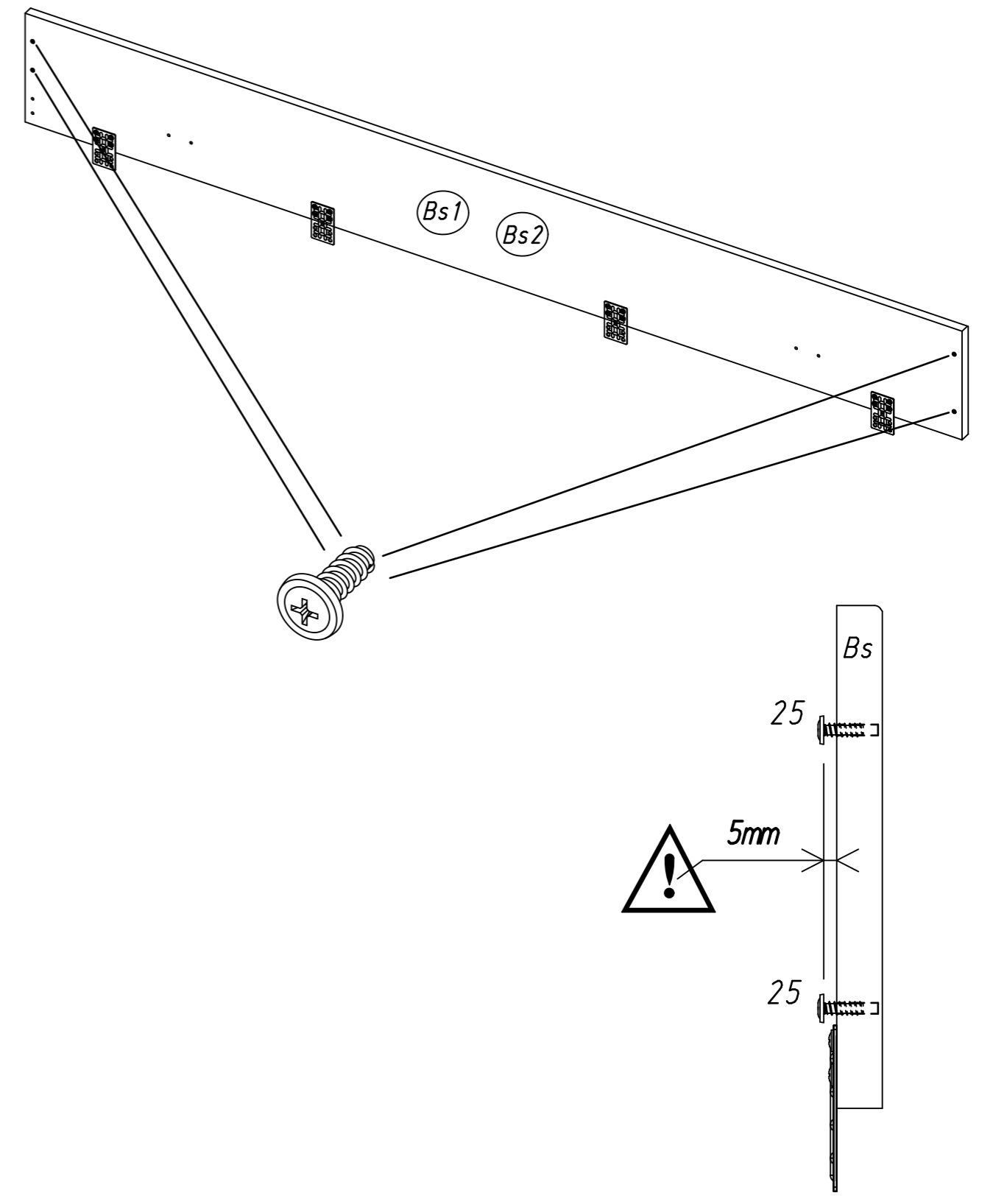
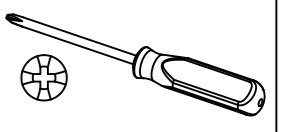


7

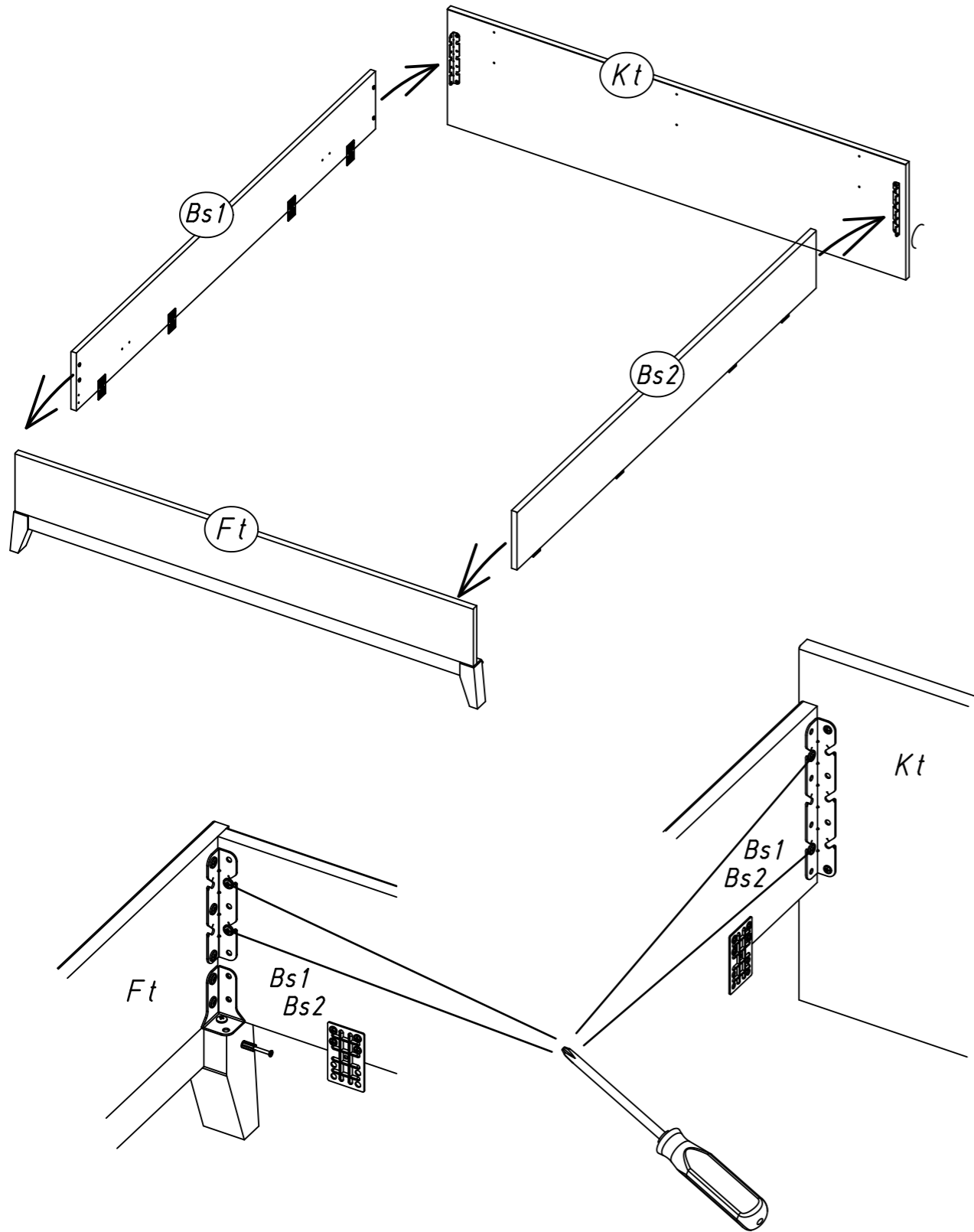
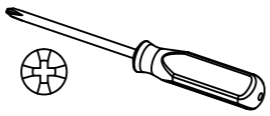
8x 25



6,3x18

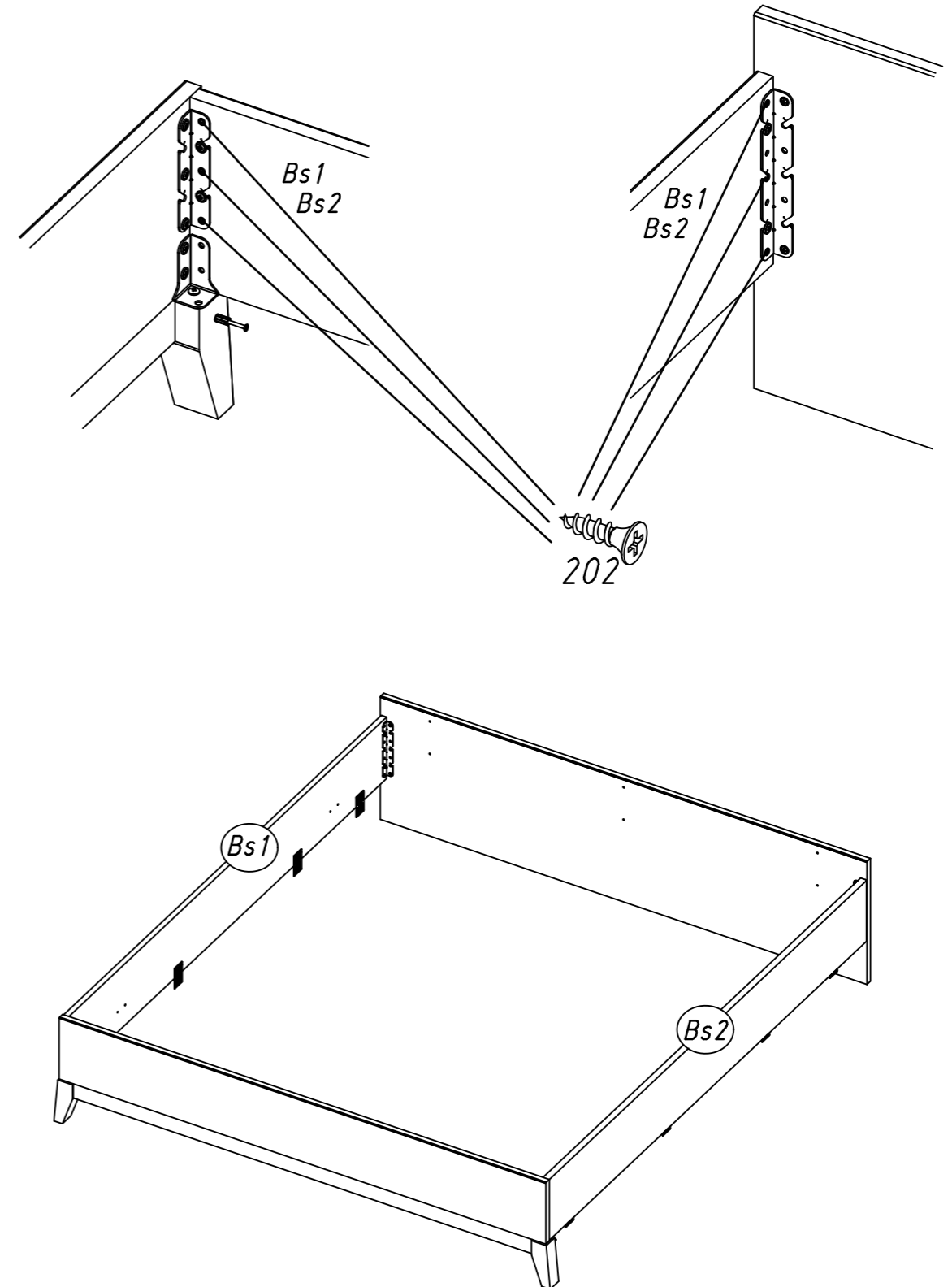
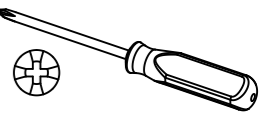
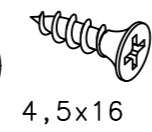


8



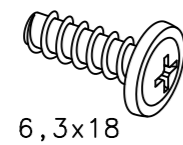
9

12x 202

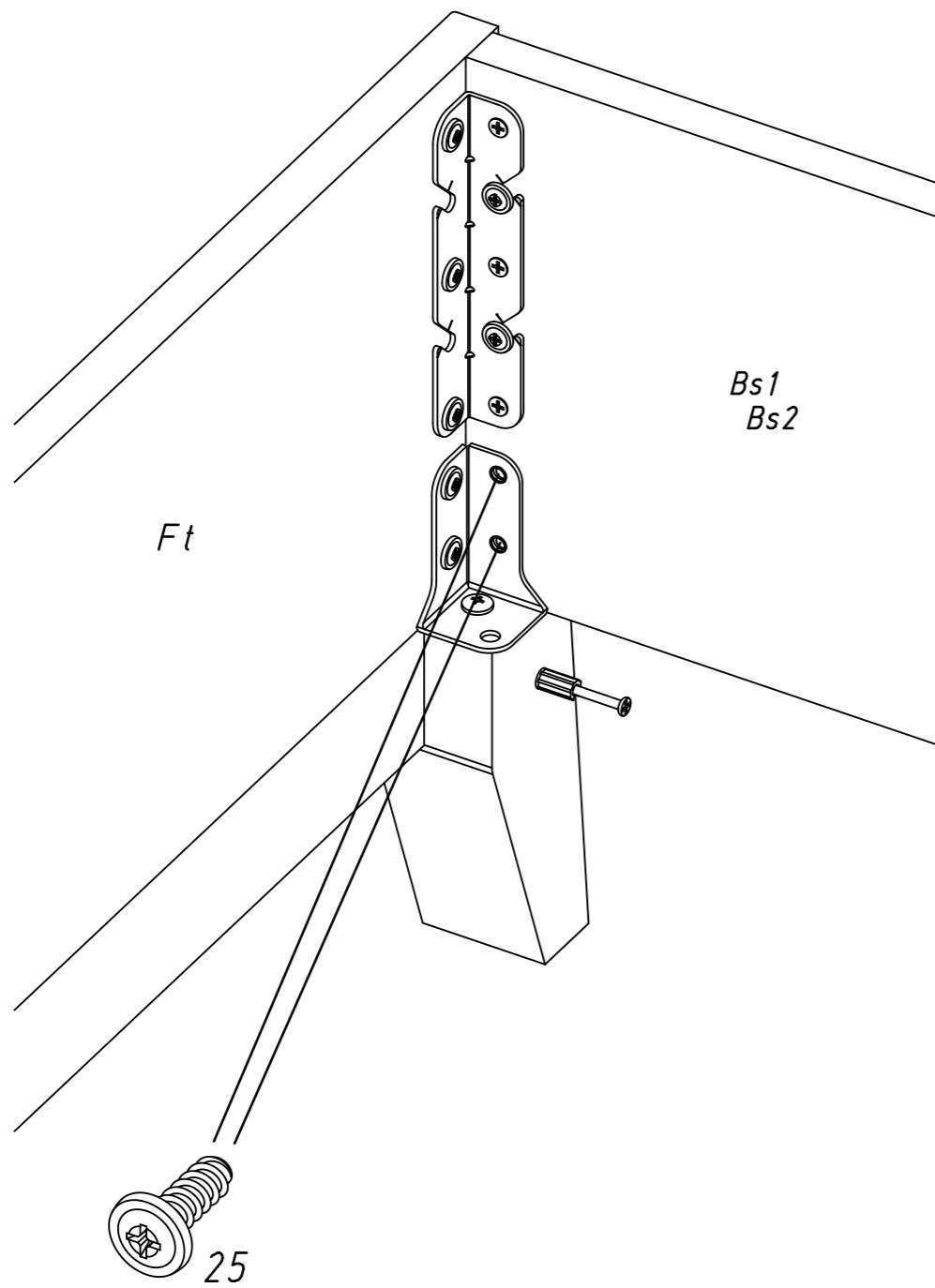
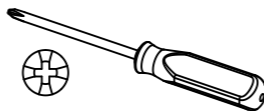


10

4x 25

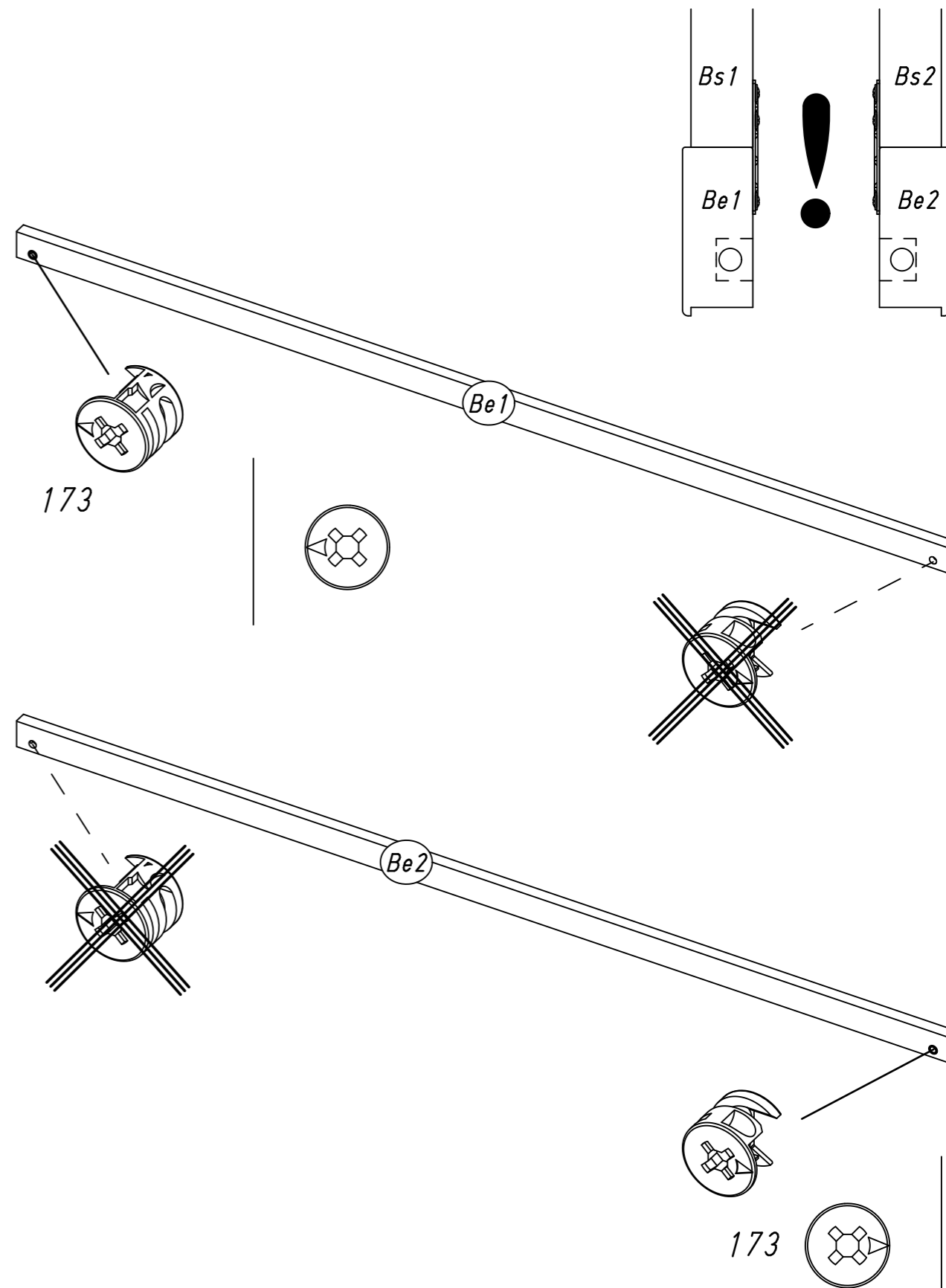


6,3x18

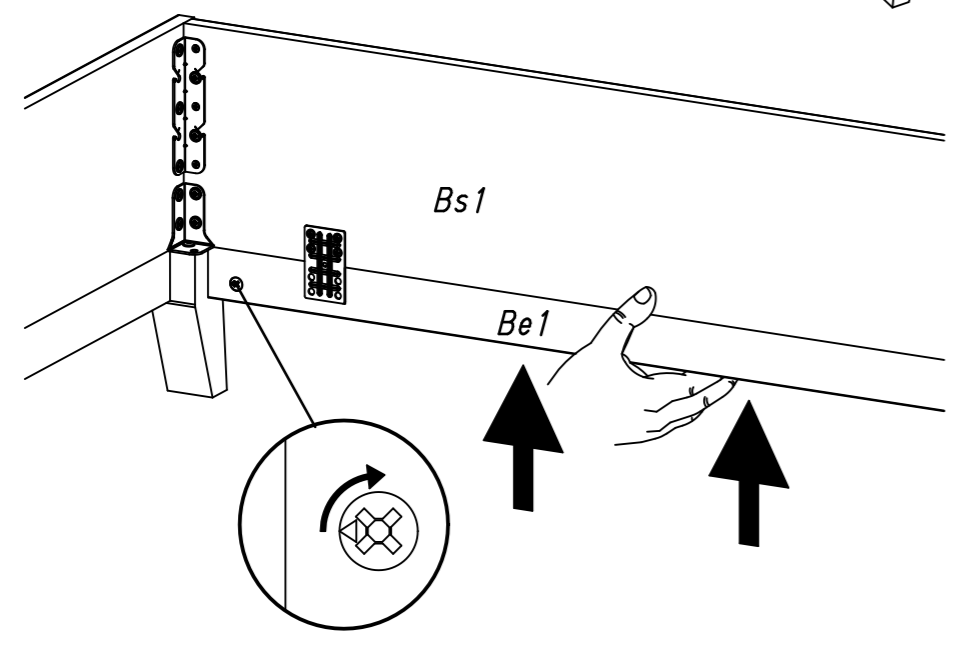
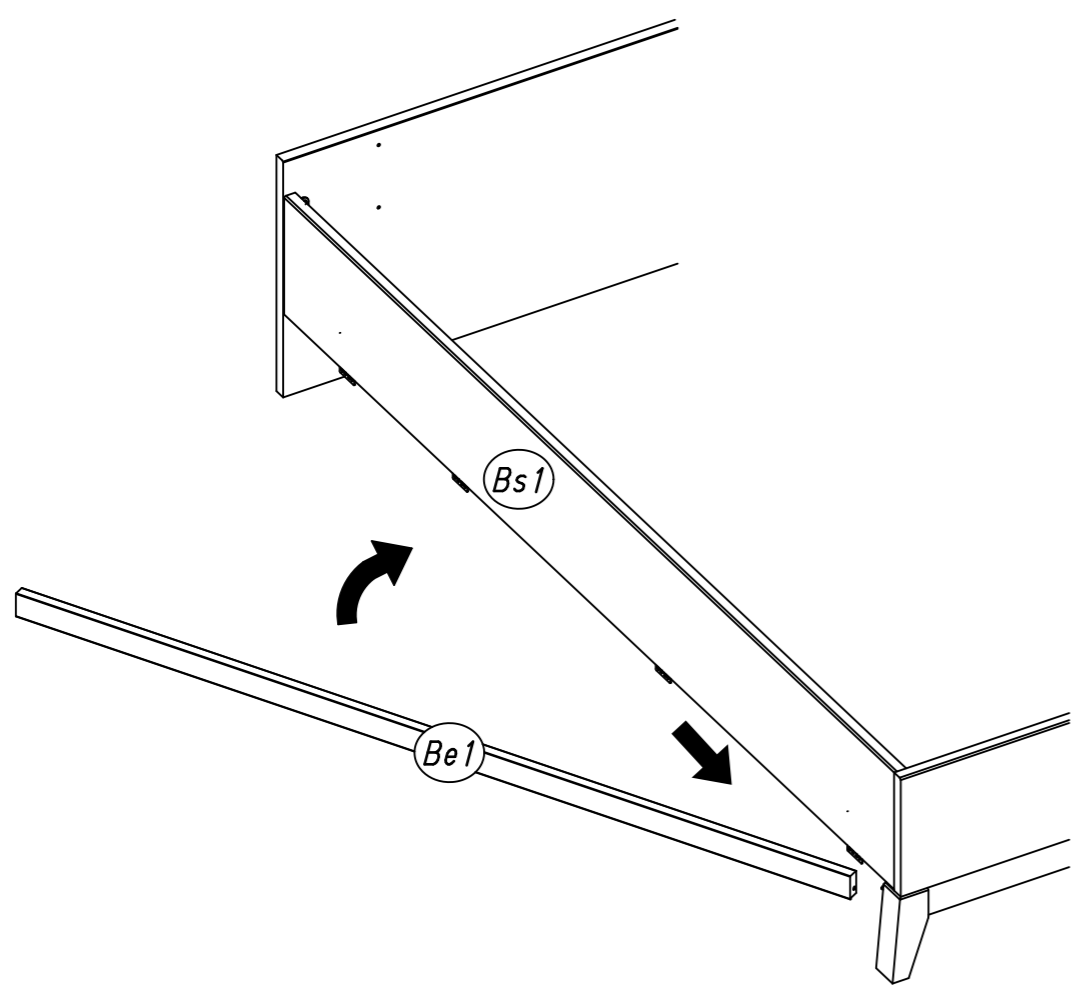
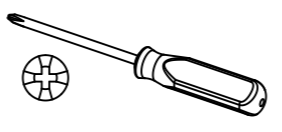


11

2x 173

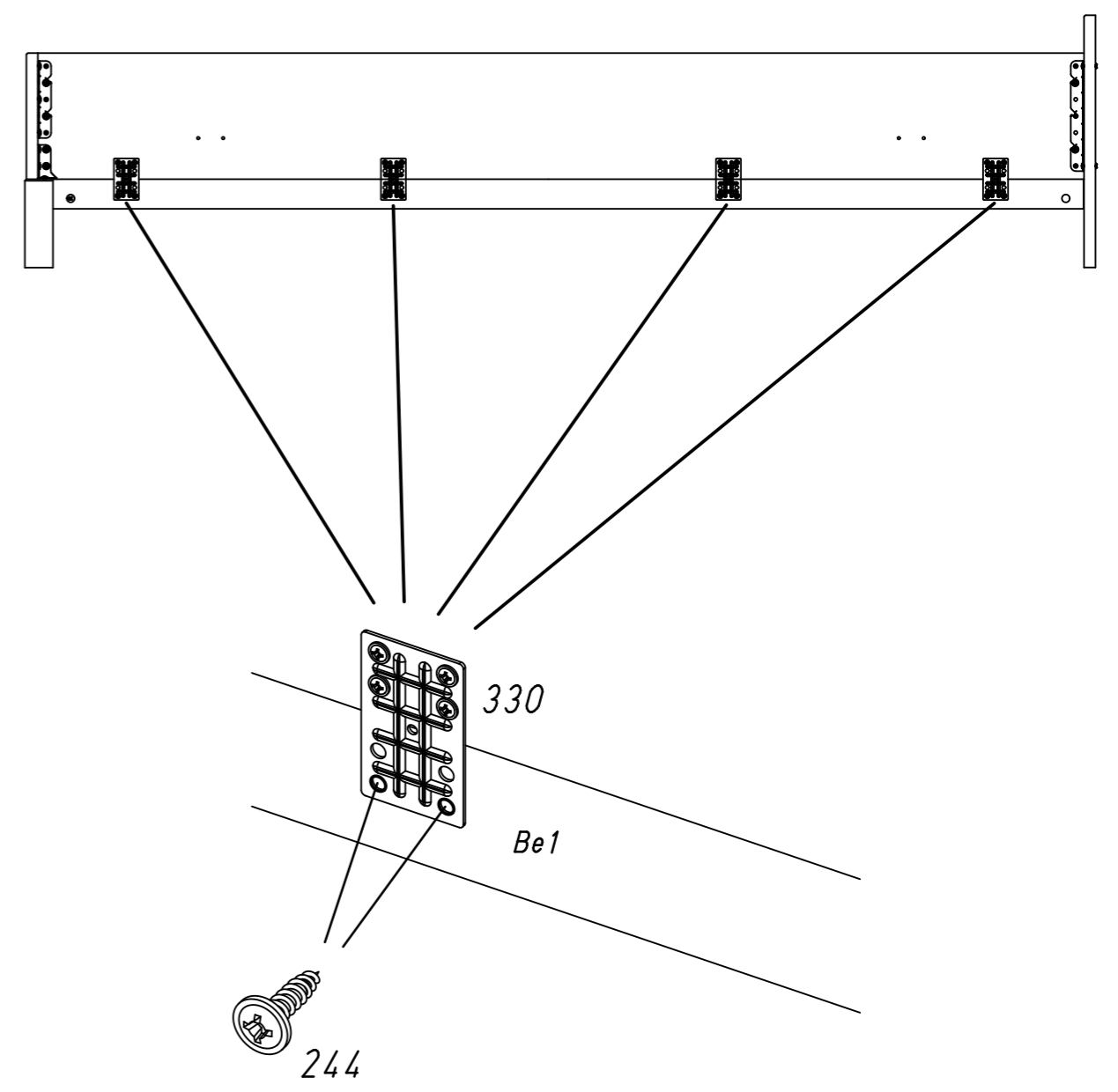
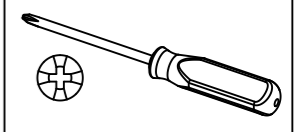
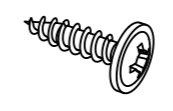


12

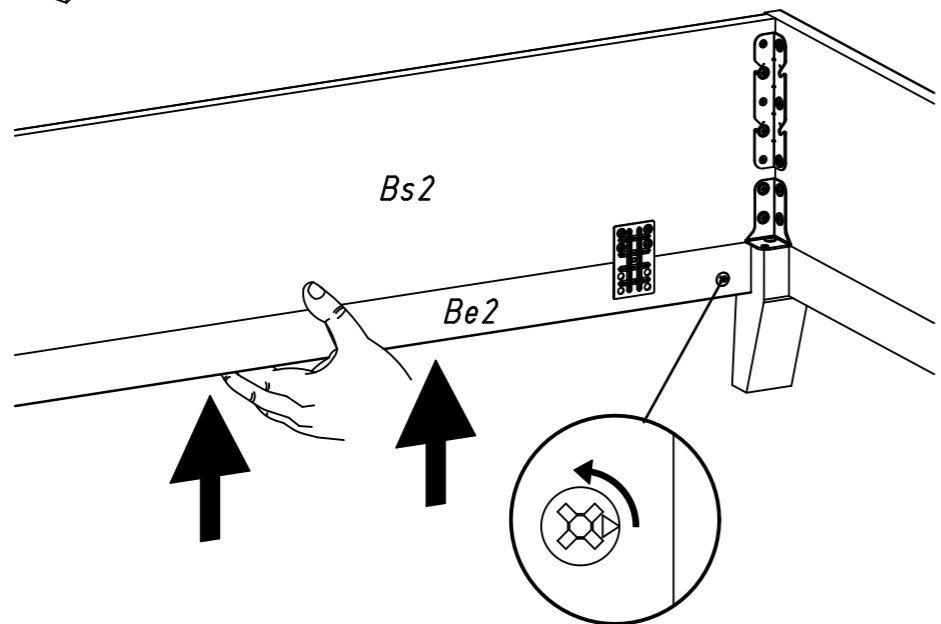
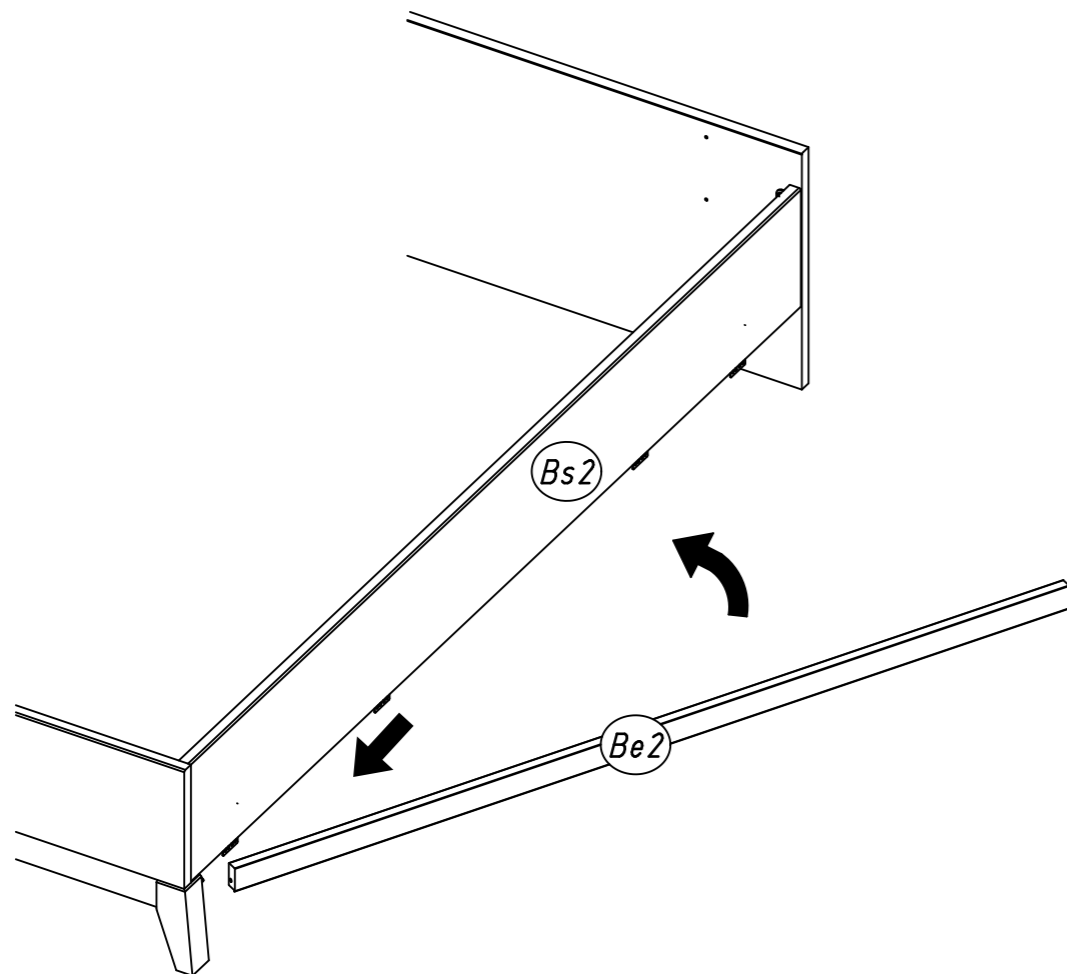
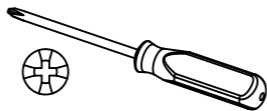


13

6x 244
4,0x17

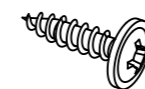


14

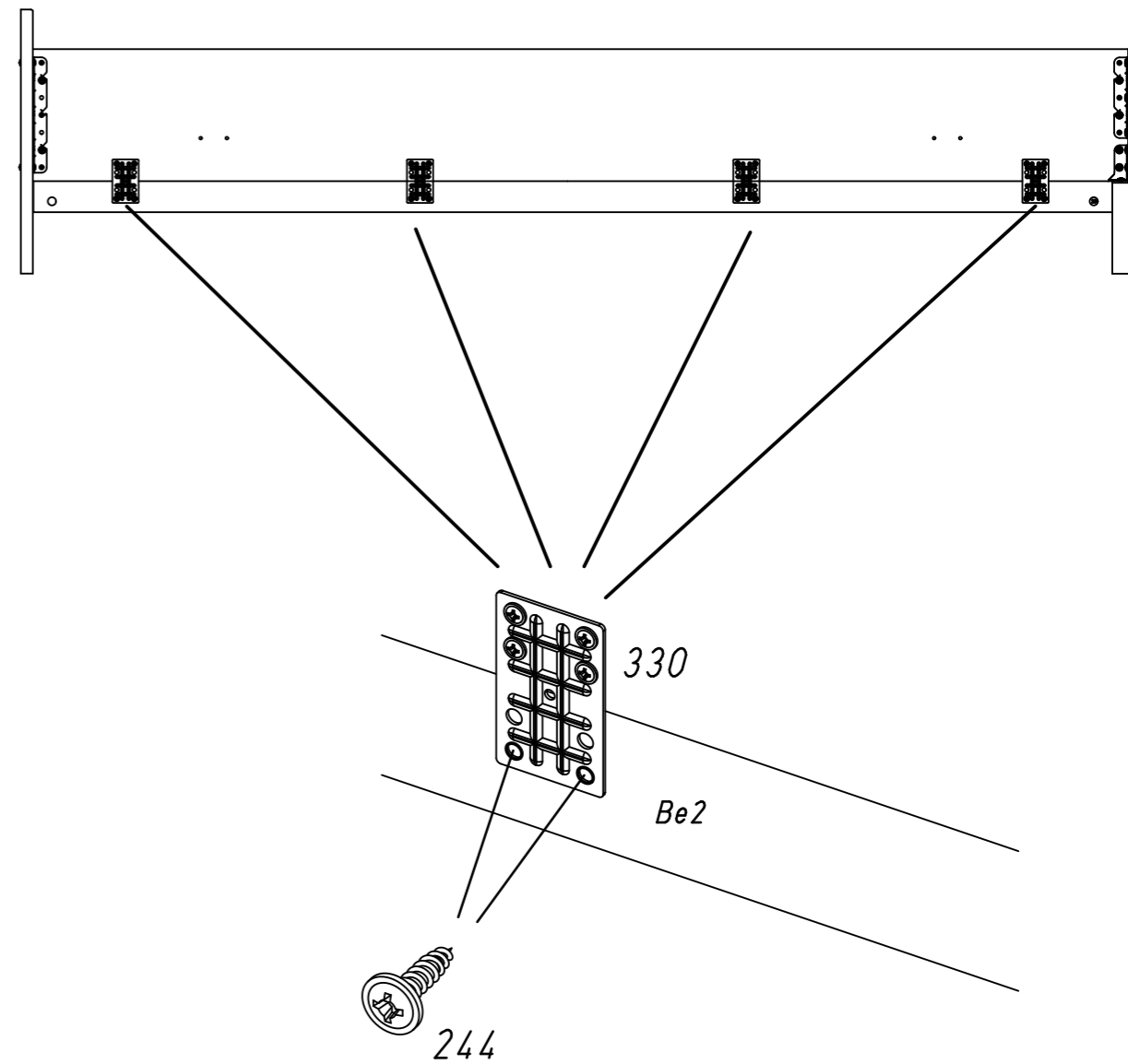
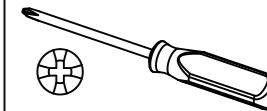


15

6x 244

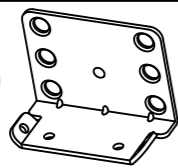


4,0x17



16

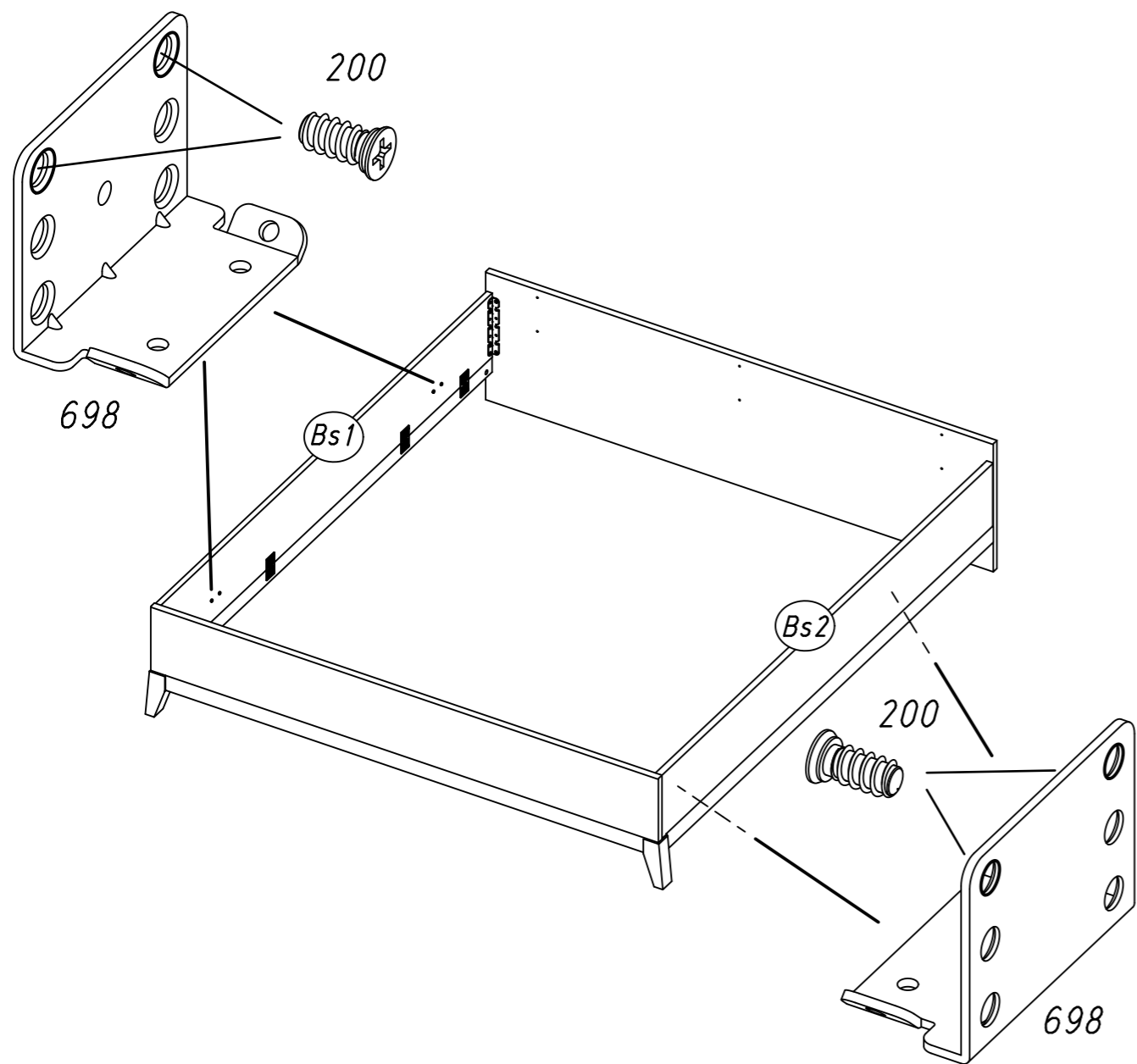
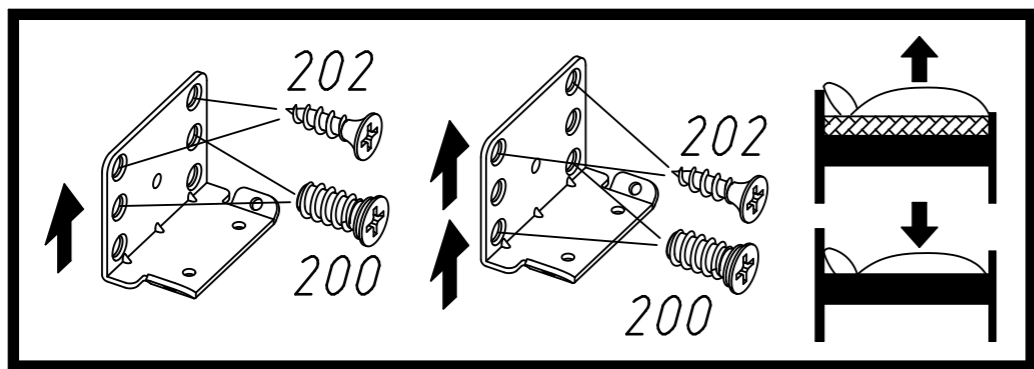
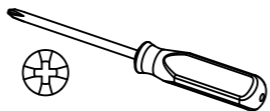
4x 698



8x 200



6,3x14

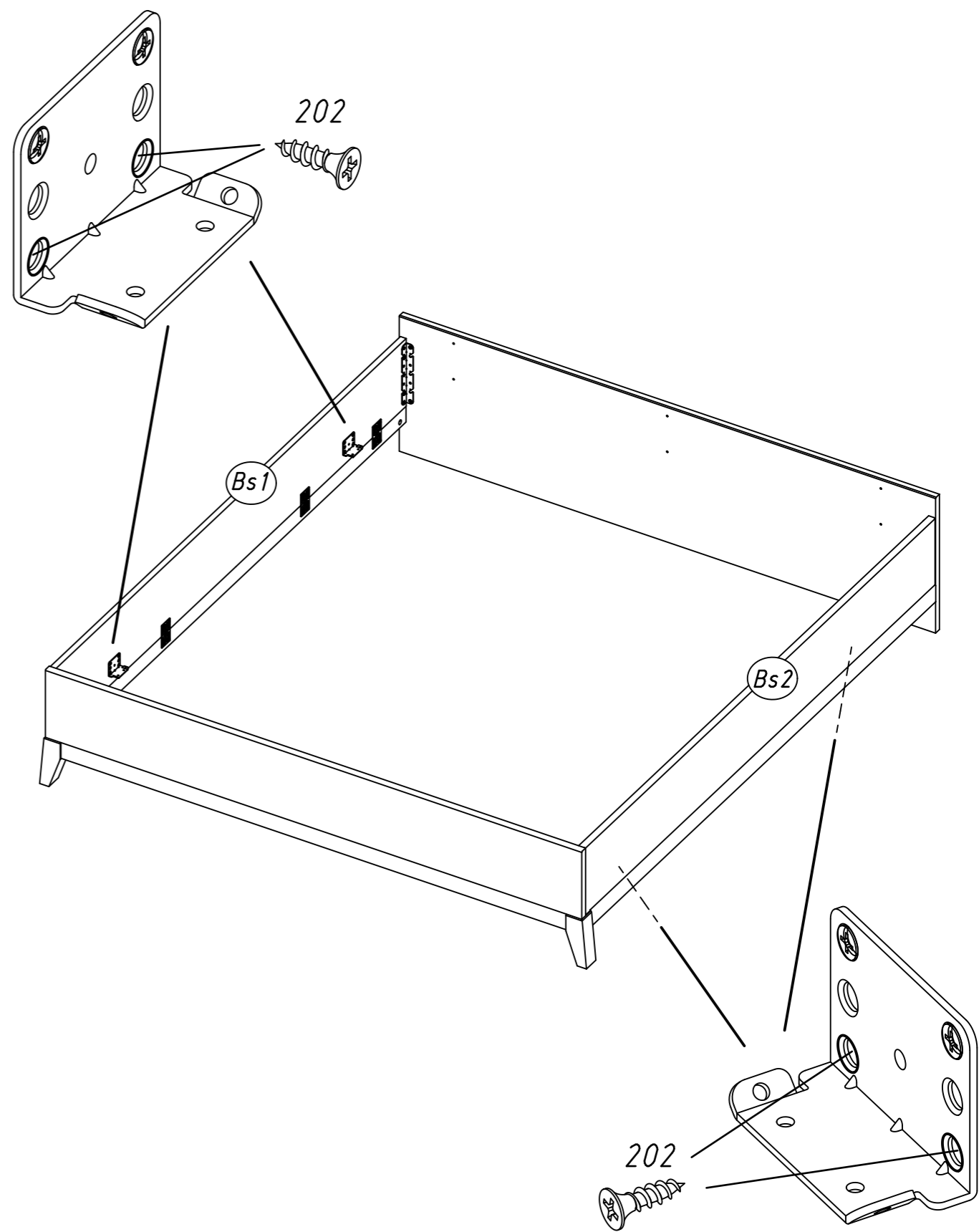
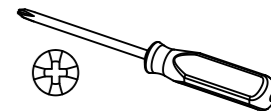


17

8x 202



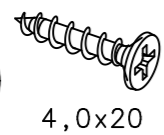
4,5x16



18

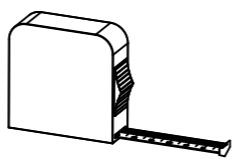
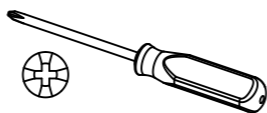
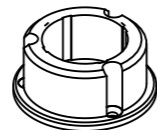
6x

427

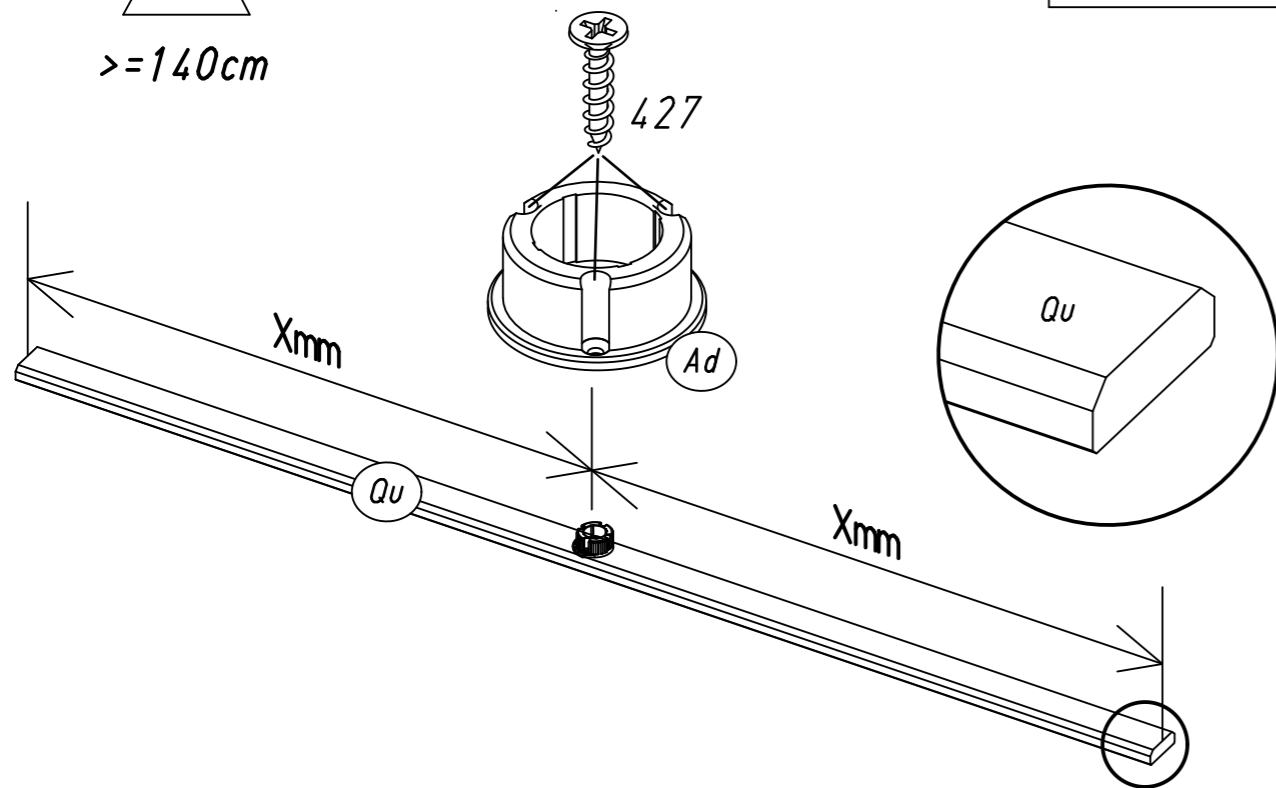


2x

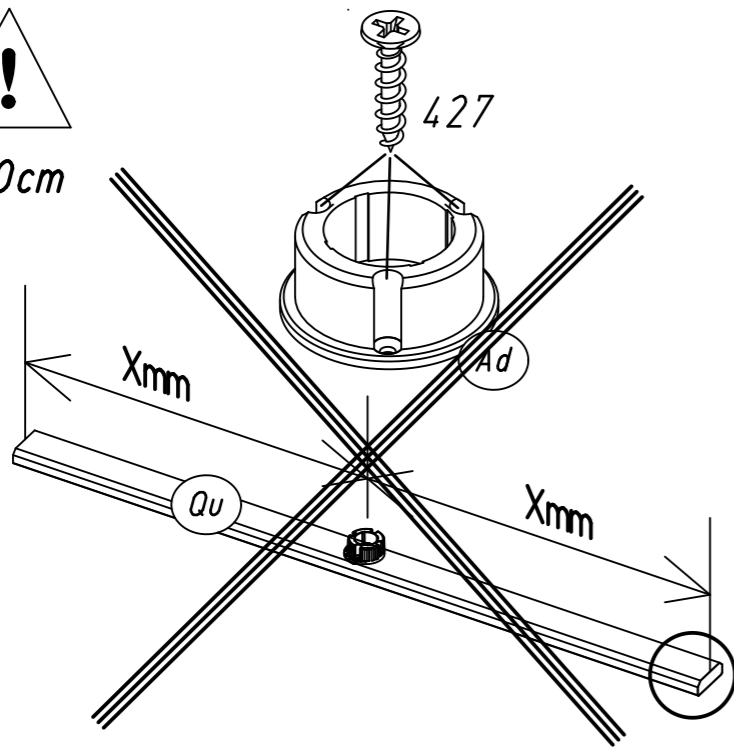
Ad



!
 >=140cm



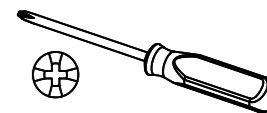
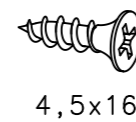
!
 90cm



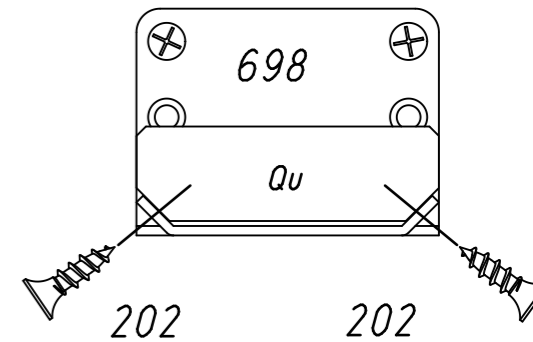
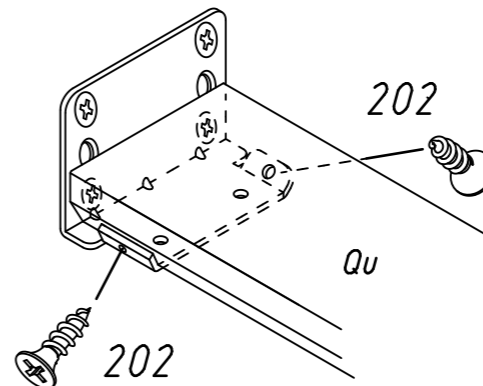
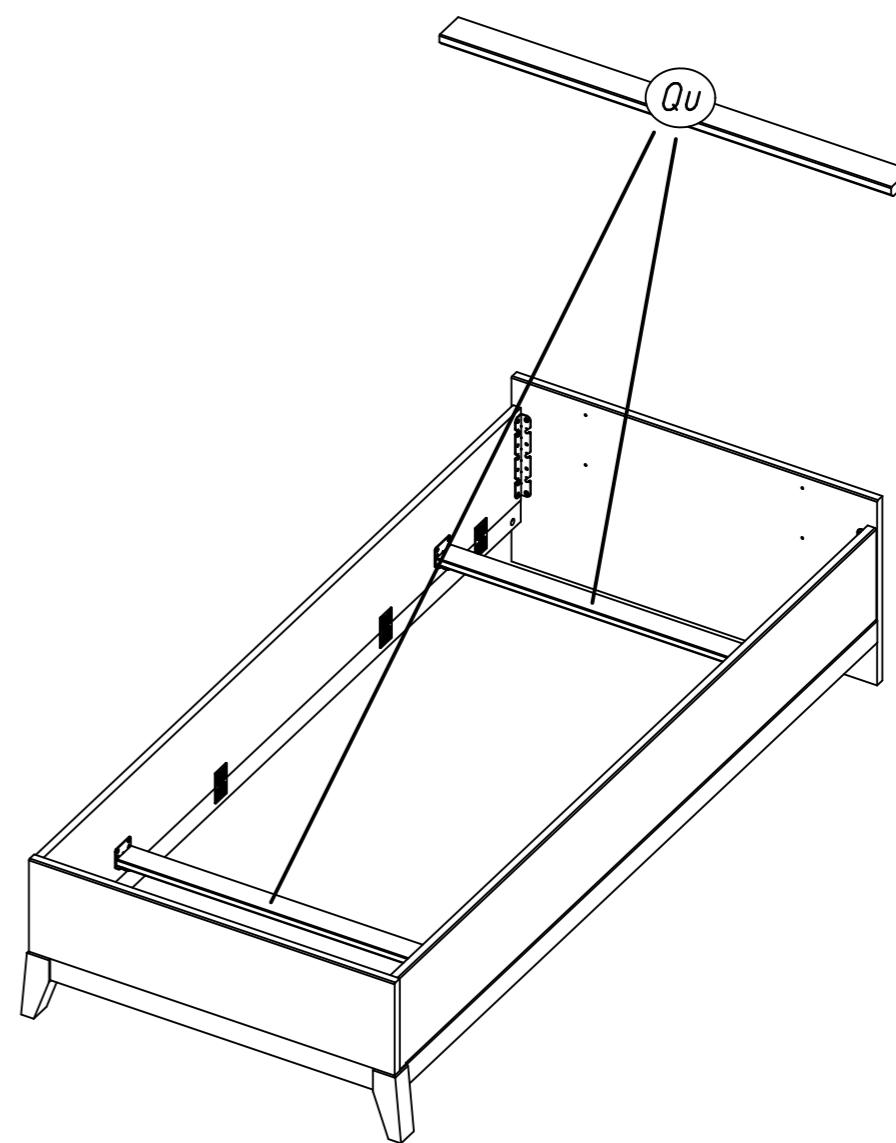
19

8x

202



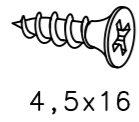
!
 90cm



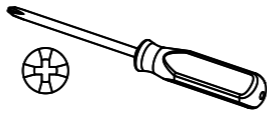
20

8x

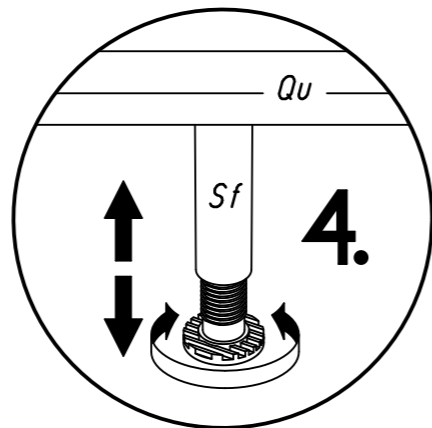
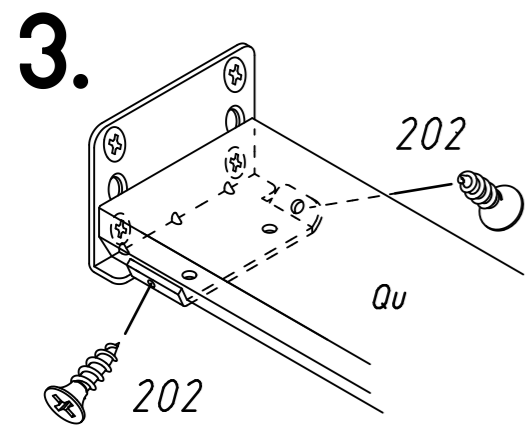
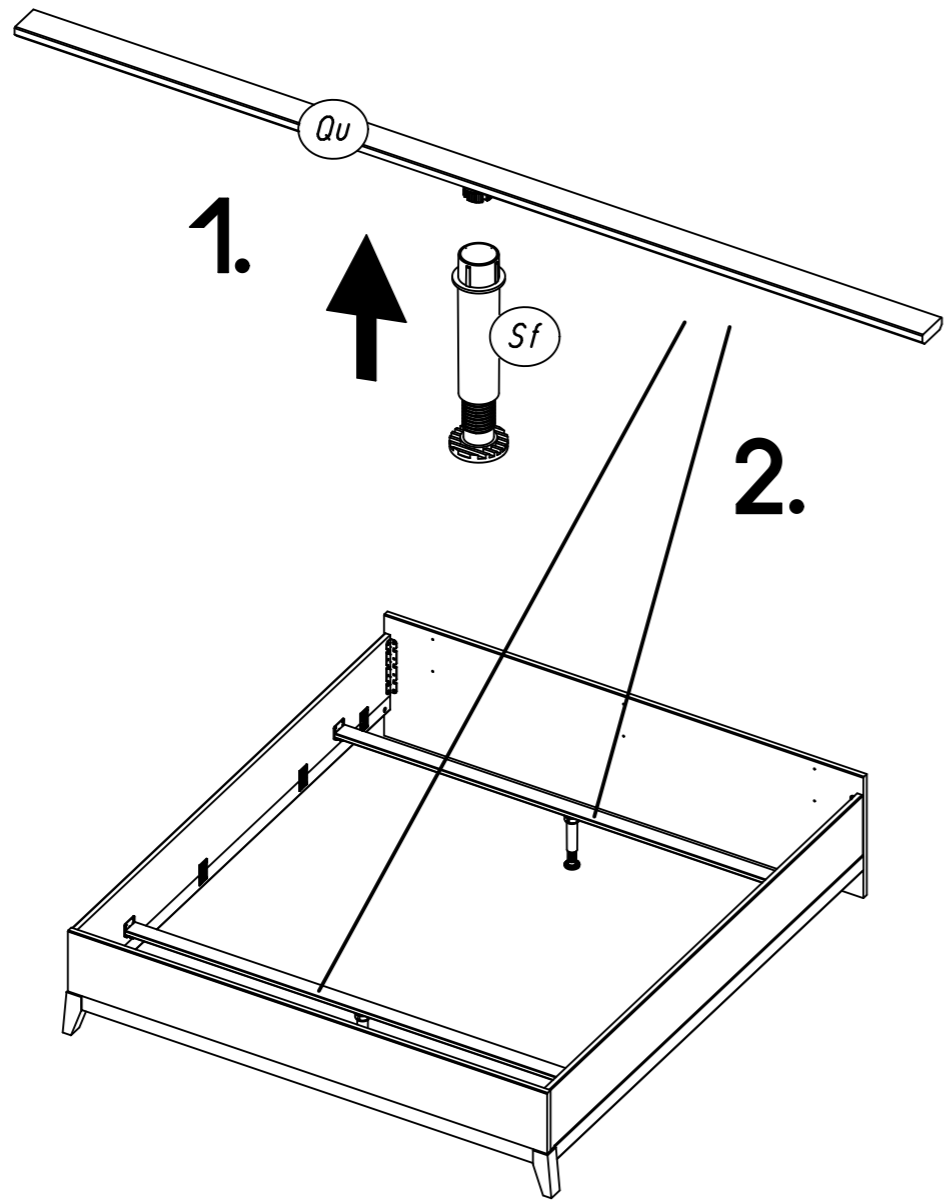
202



4,5x16



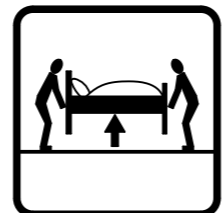
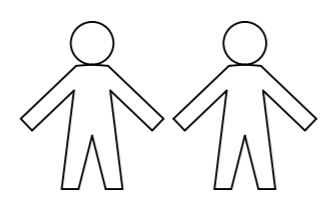
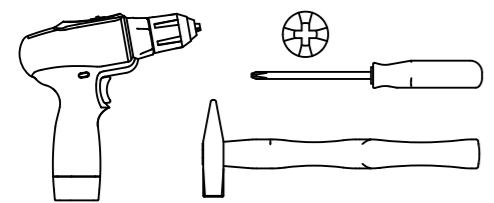
$\geq 140\text{cm}$



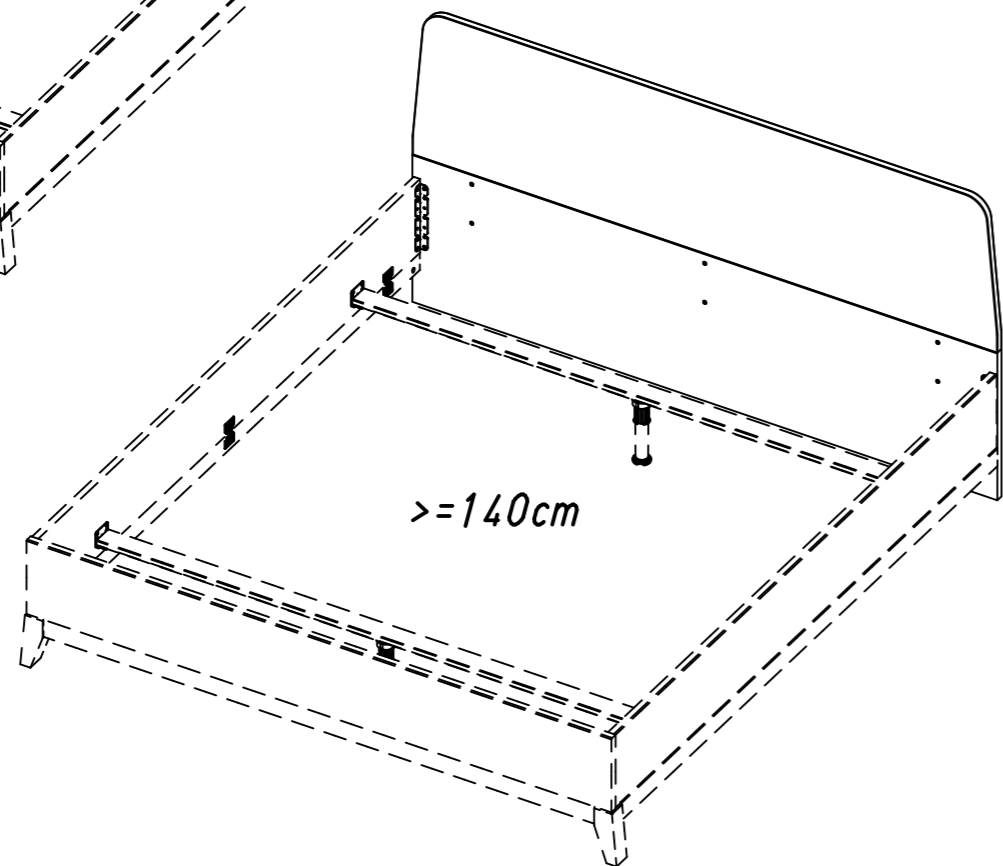
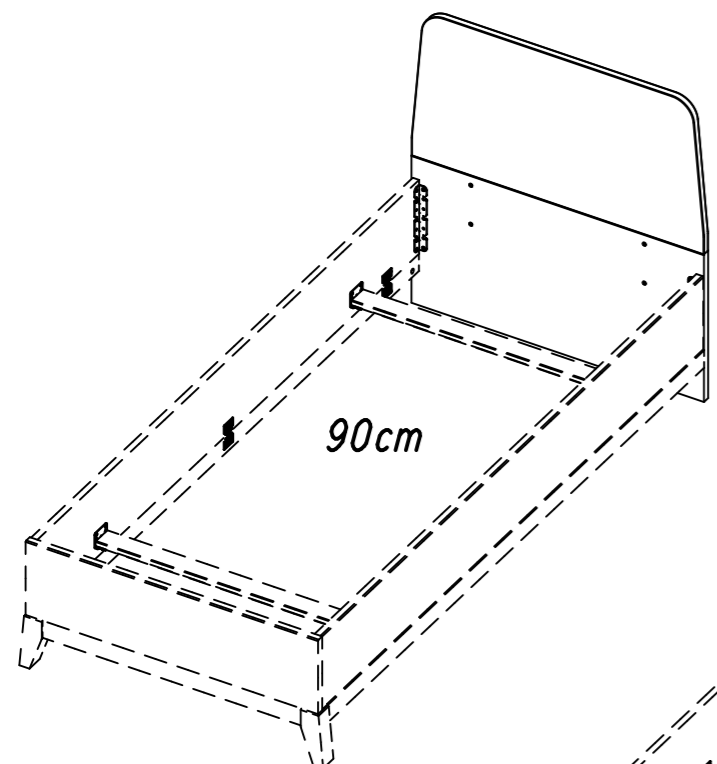
1.

MZ092_01

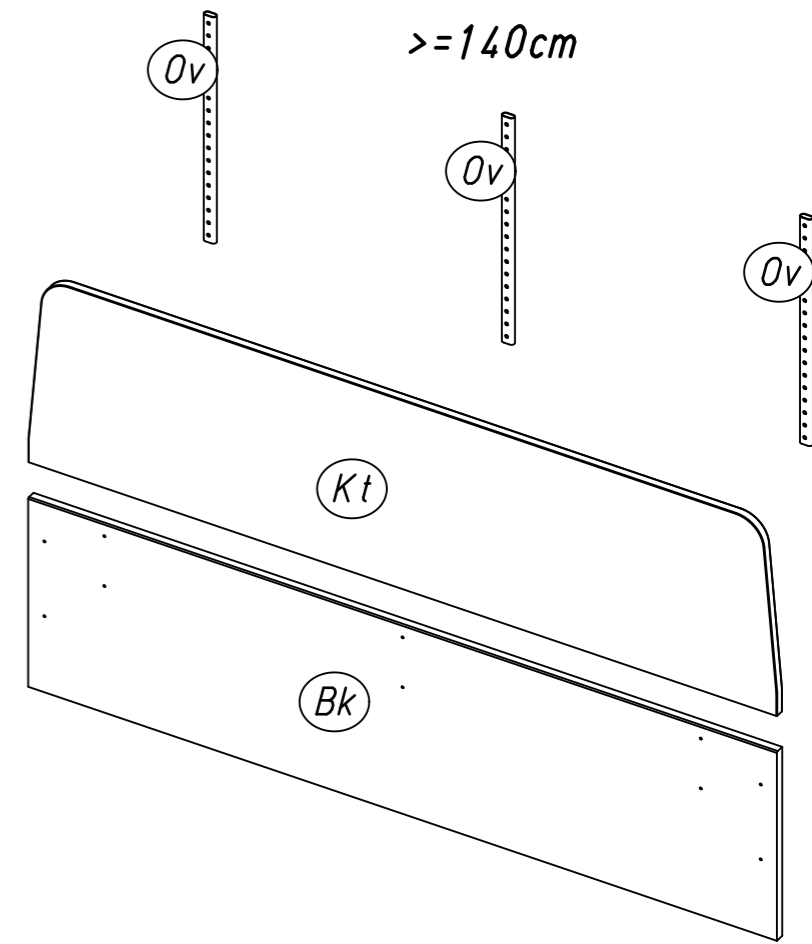
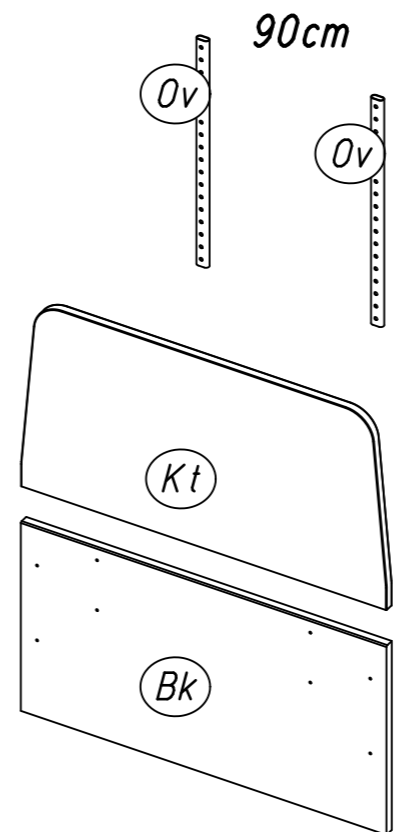
rauch



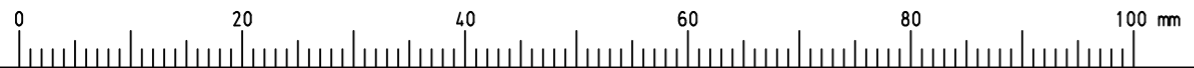
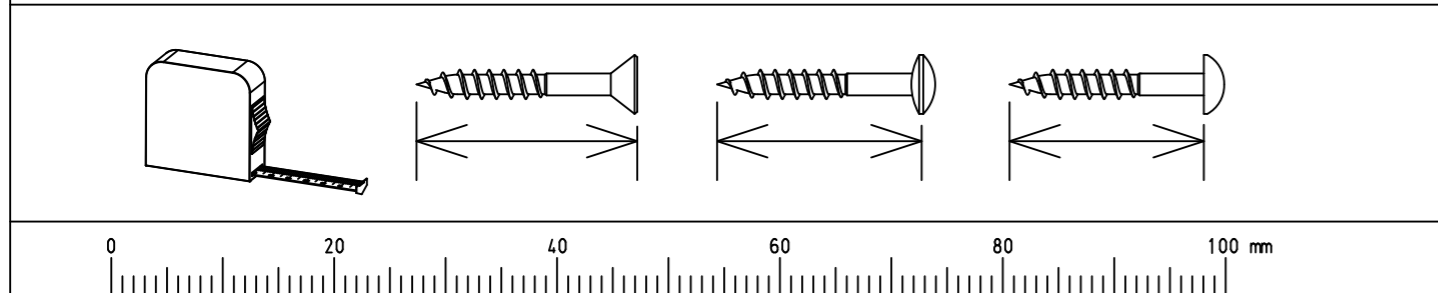
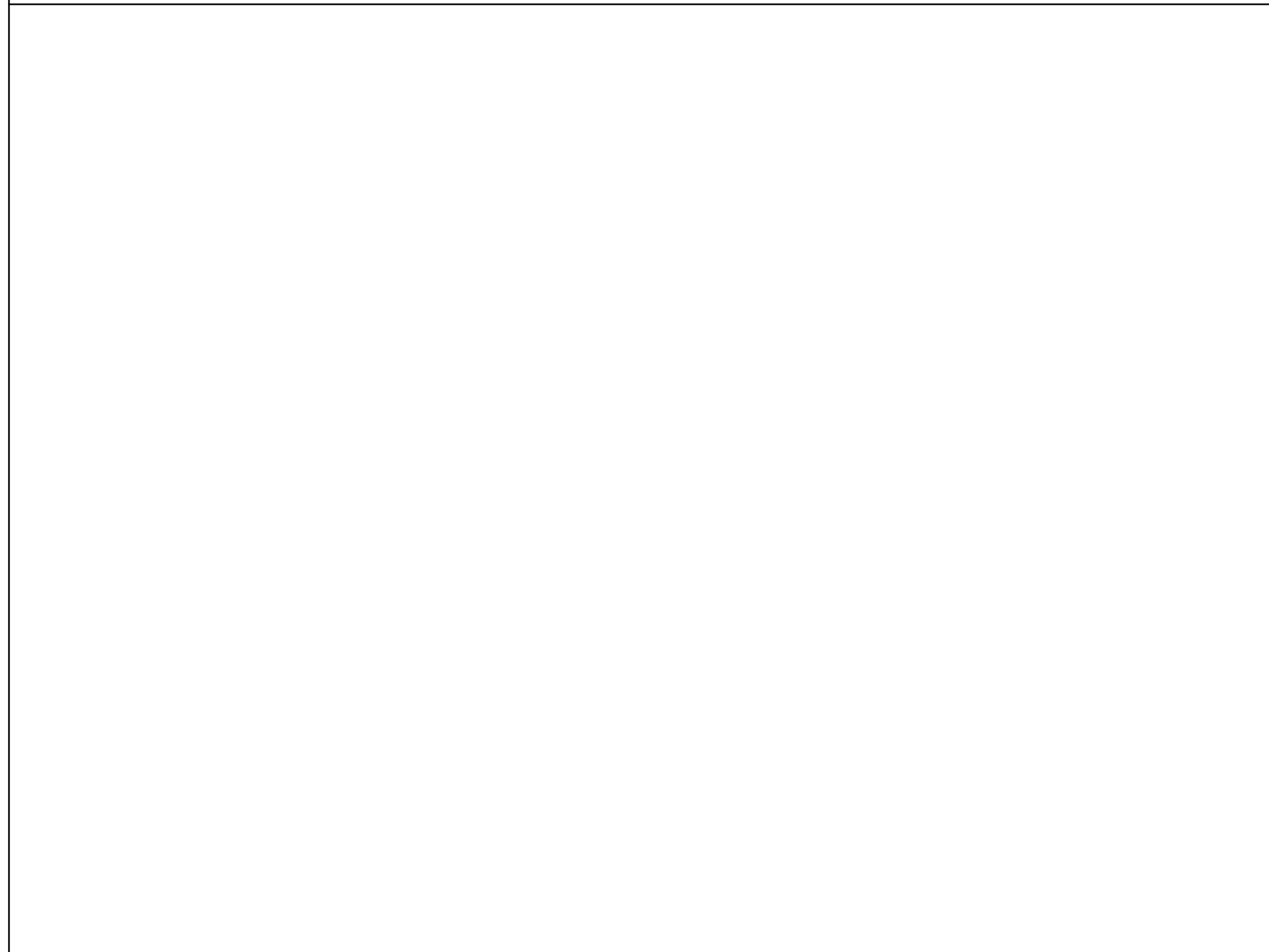
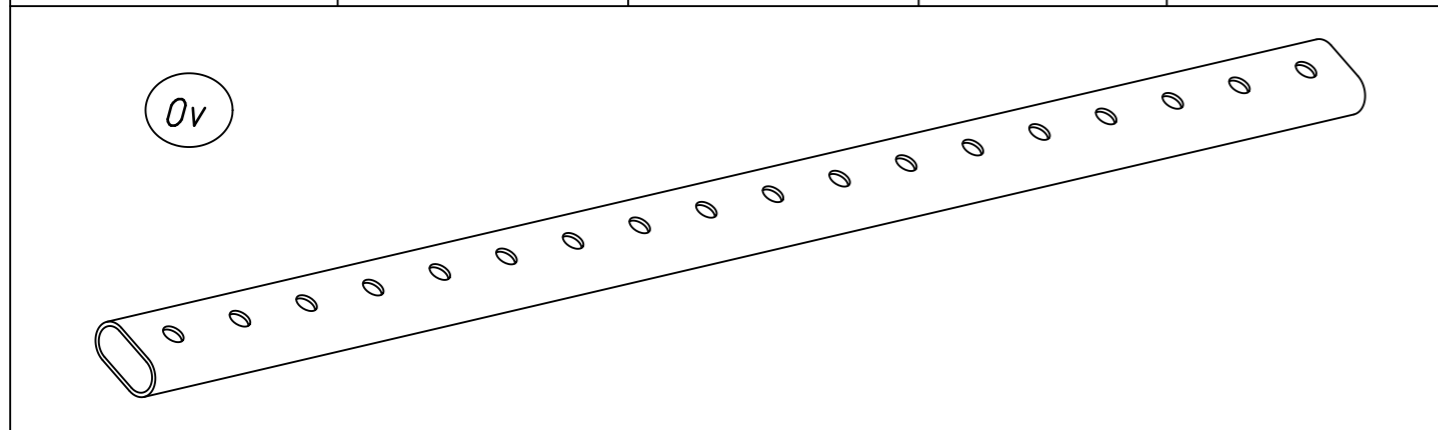
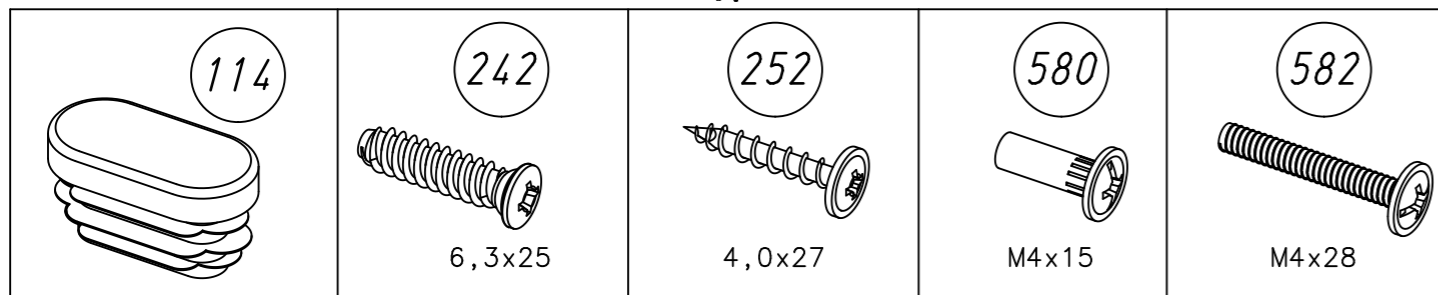
15
min



2.

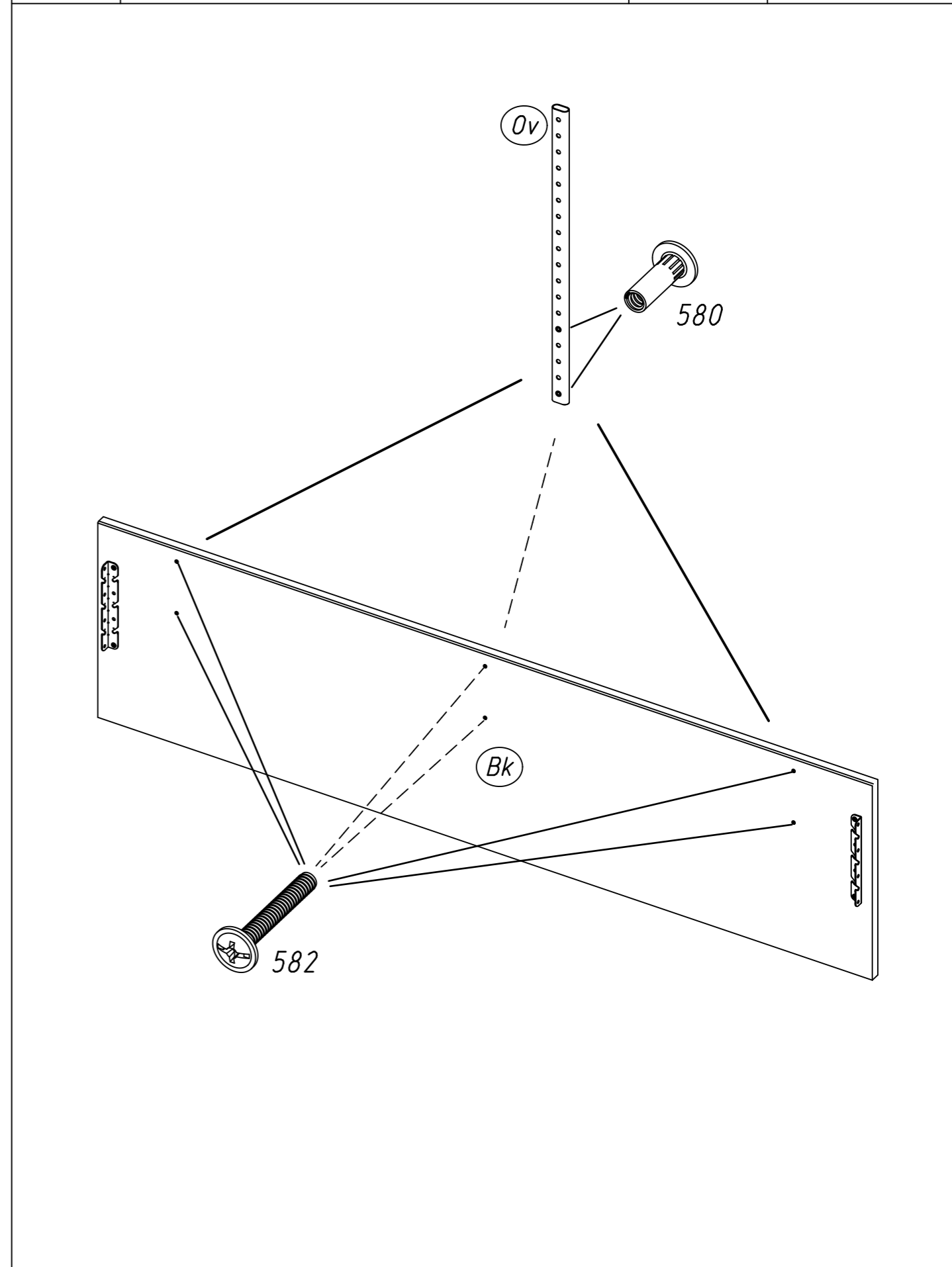
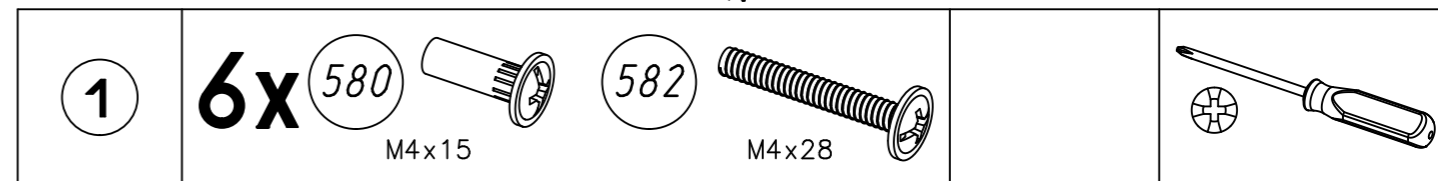


3.



MZ092

4.

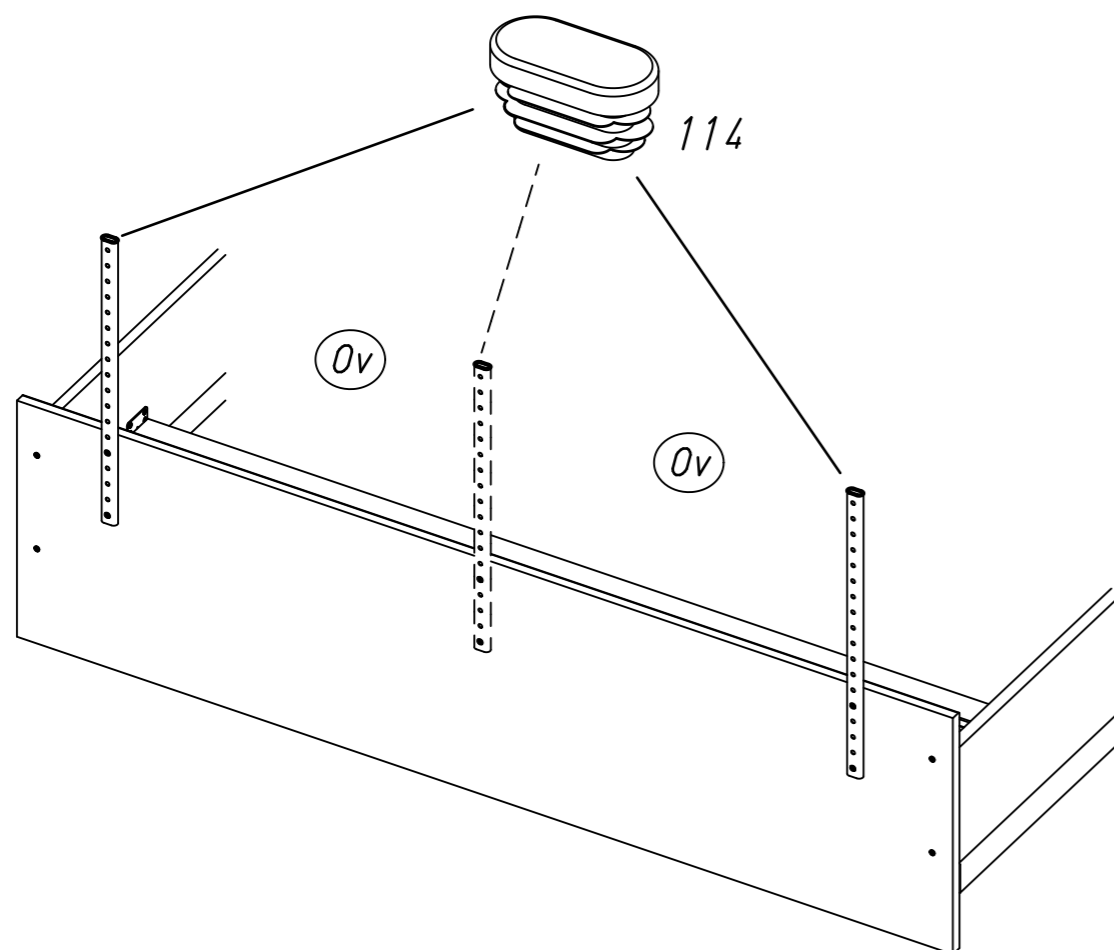
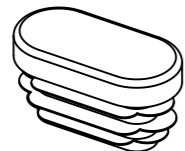


MZ092

5.

2

3x 114

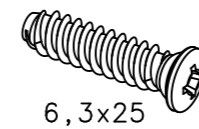


MZ092

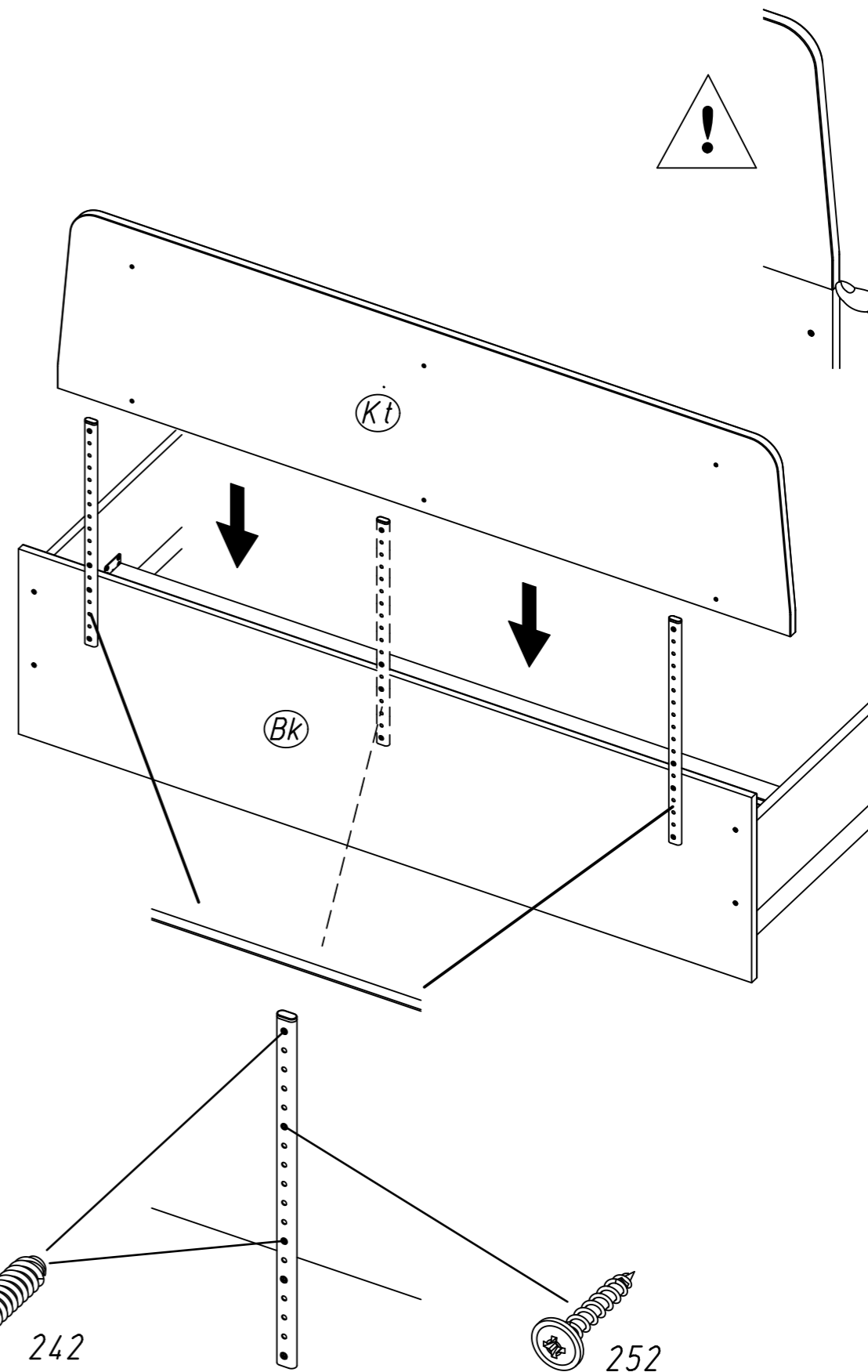
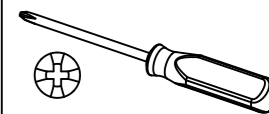
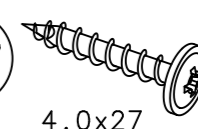
6.

3

6x 242



3x 252



MZ092