

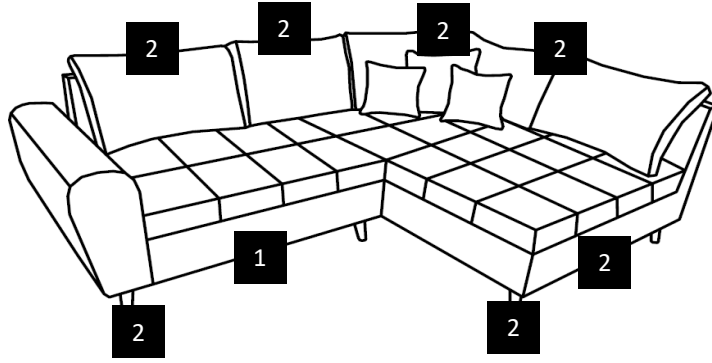
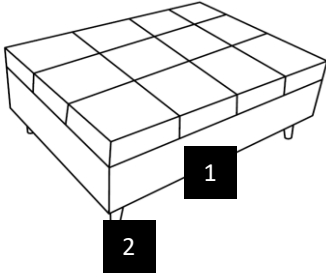


ALICE 2AT.REC +H

R



1/2



A1



A x 12

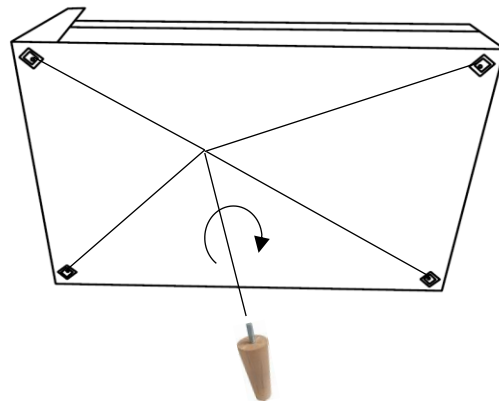
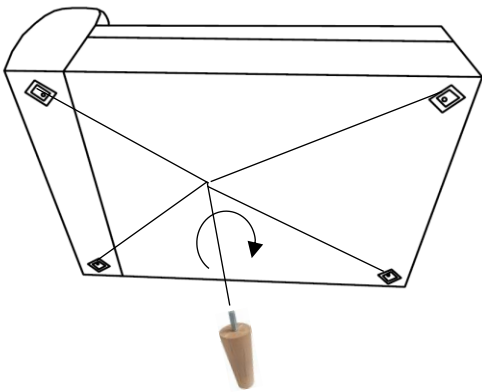


1

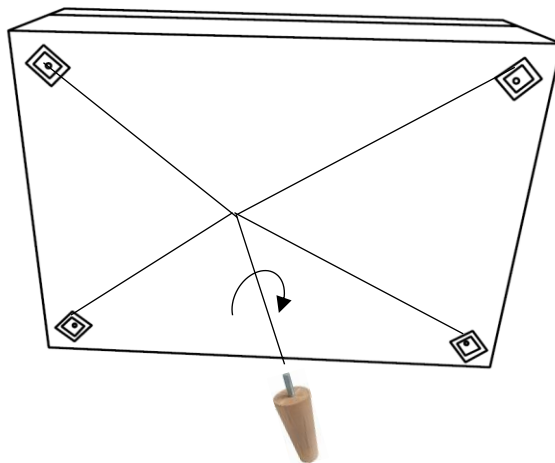


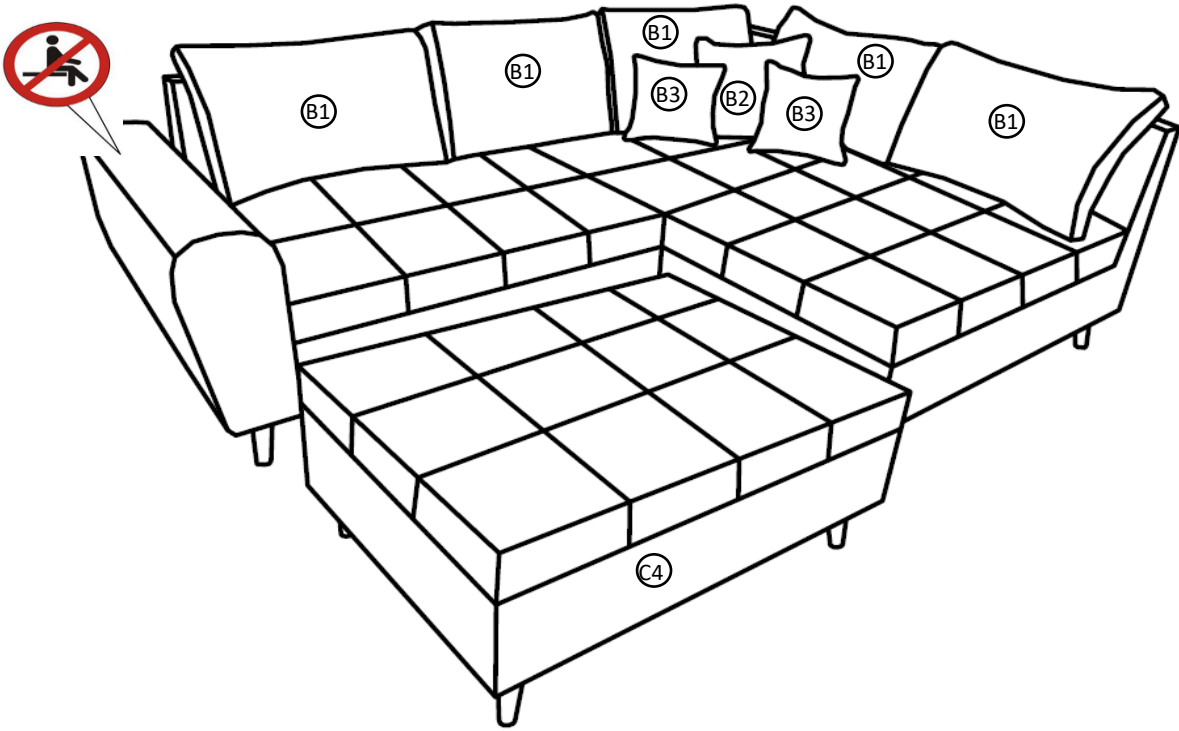
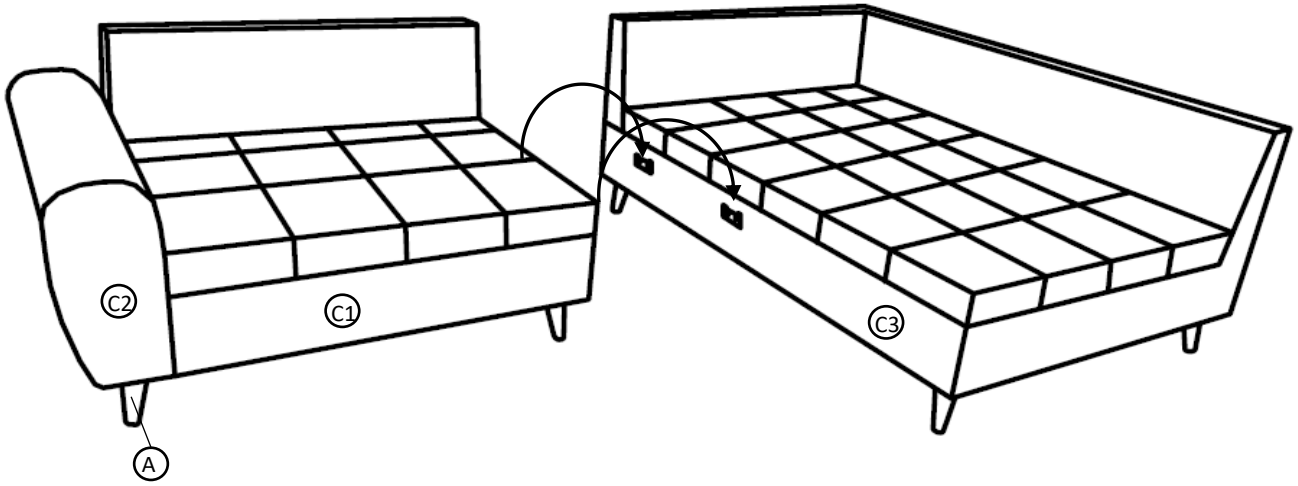
2

1



2





A		
B1		
B2		
B3		
C1		
C2		
C3		
C4		

