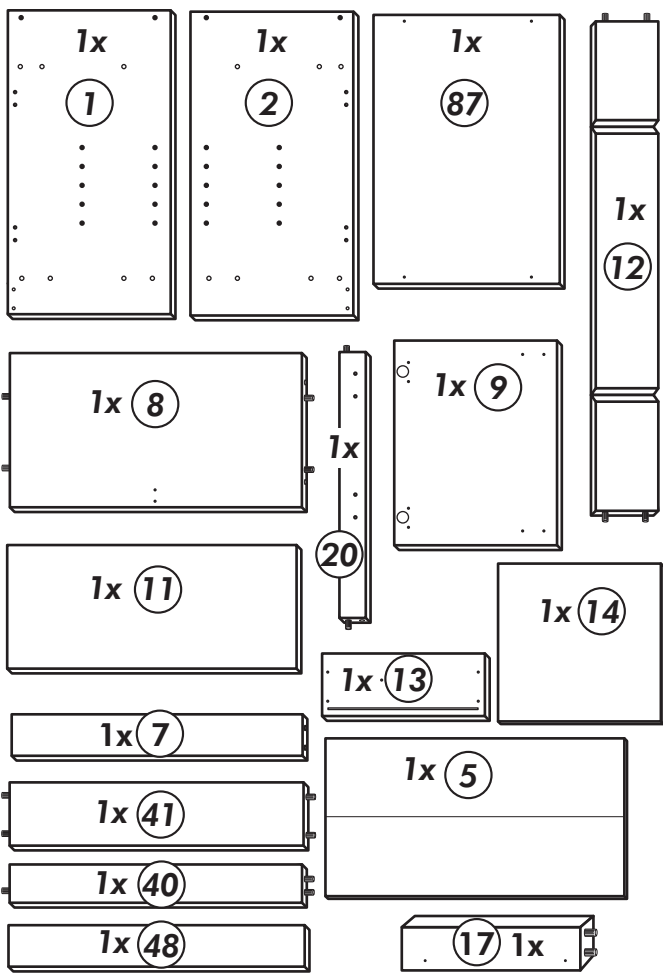
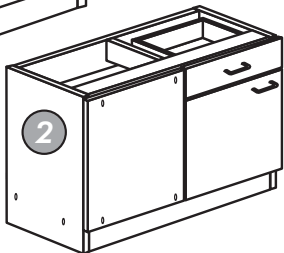
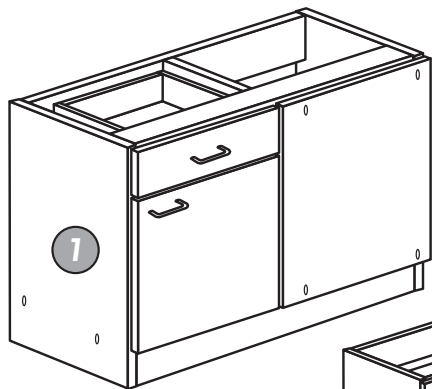
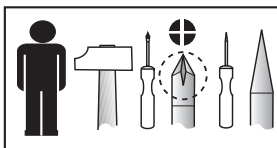


Eckunterschrank ohne APL

Nr. 010 Rev.00



| | |
|------------------------------|--------------------------------|
| 37 5x | 22 8x |
| 36 16x 3,5 x 15 | 26 4x 4,0 x 30 M4 |
| 23 4x Ø 3mm | 60 2x Ø 5 |
| 46 2x | 45 2x M4 x 10 |
| 42 2x | 21 2x |
| 39 2x | 34 4x |
| 70 1x LEIM GLUE | 27 24x 3,0 x 20 |
| 63 4x 8 x 30 | 106 4x 4,0 x 30 |

