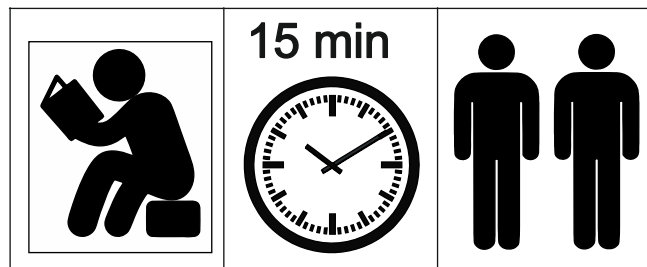
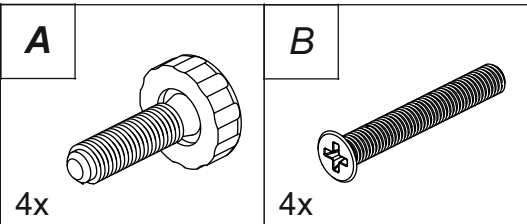
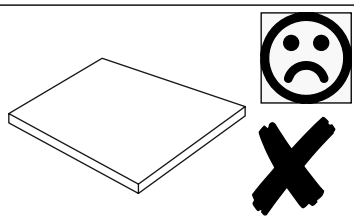
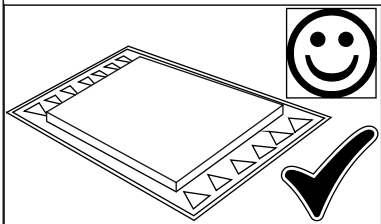
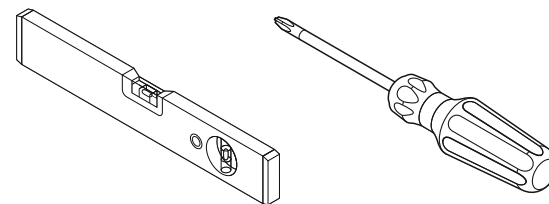
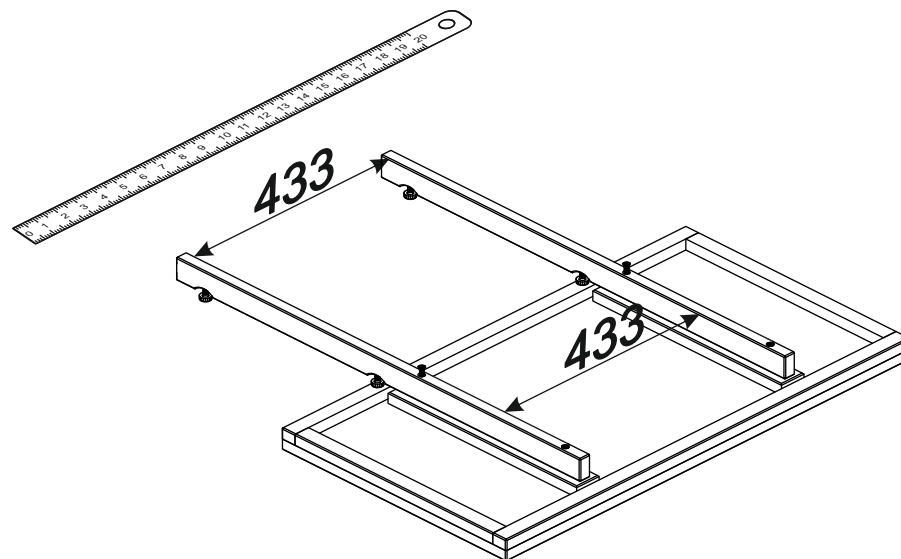
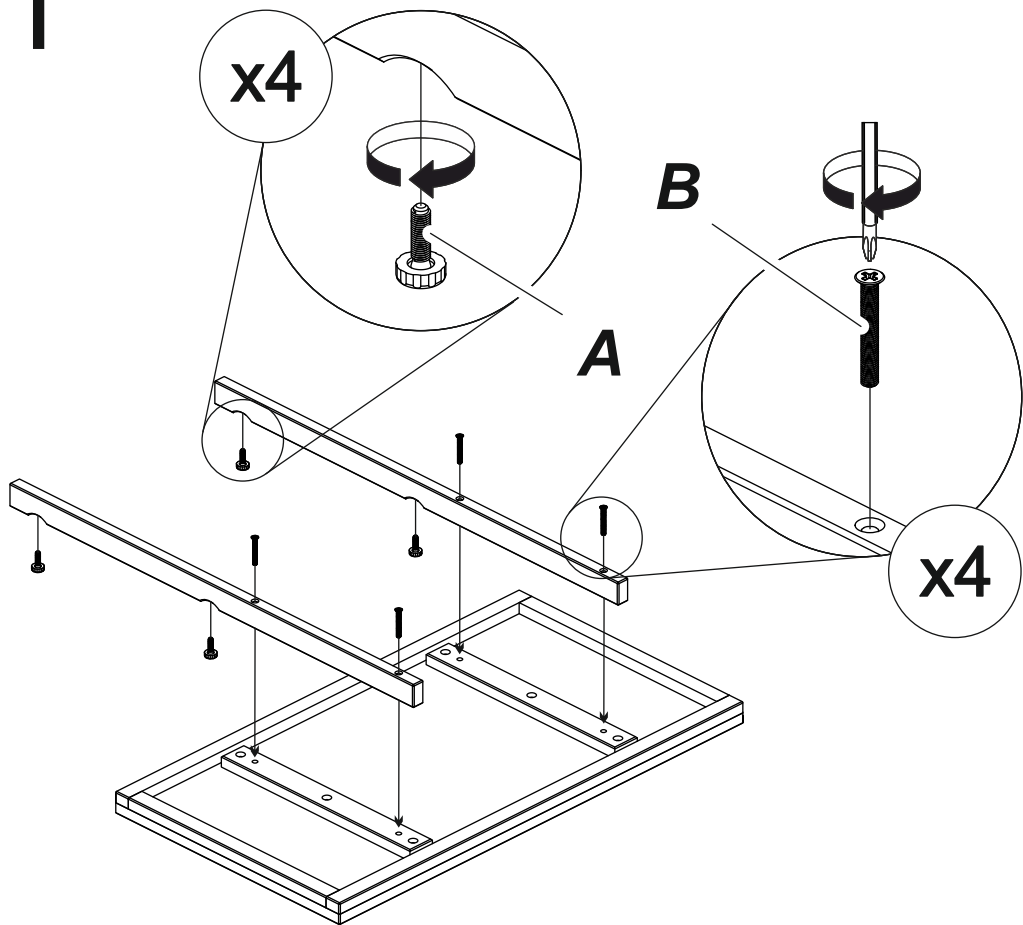
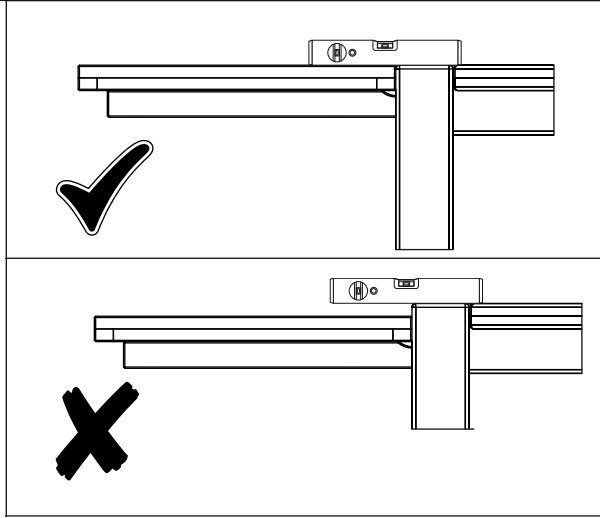
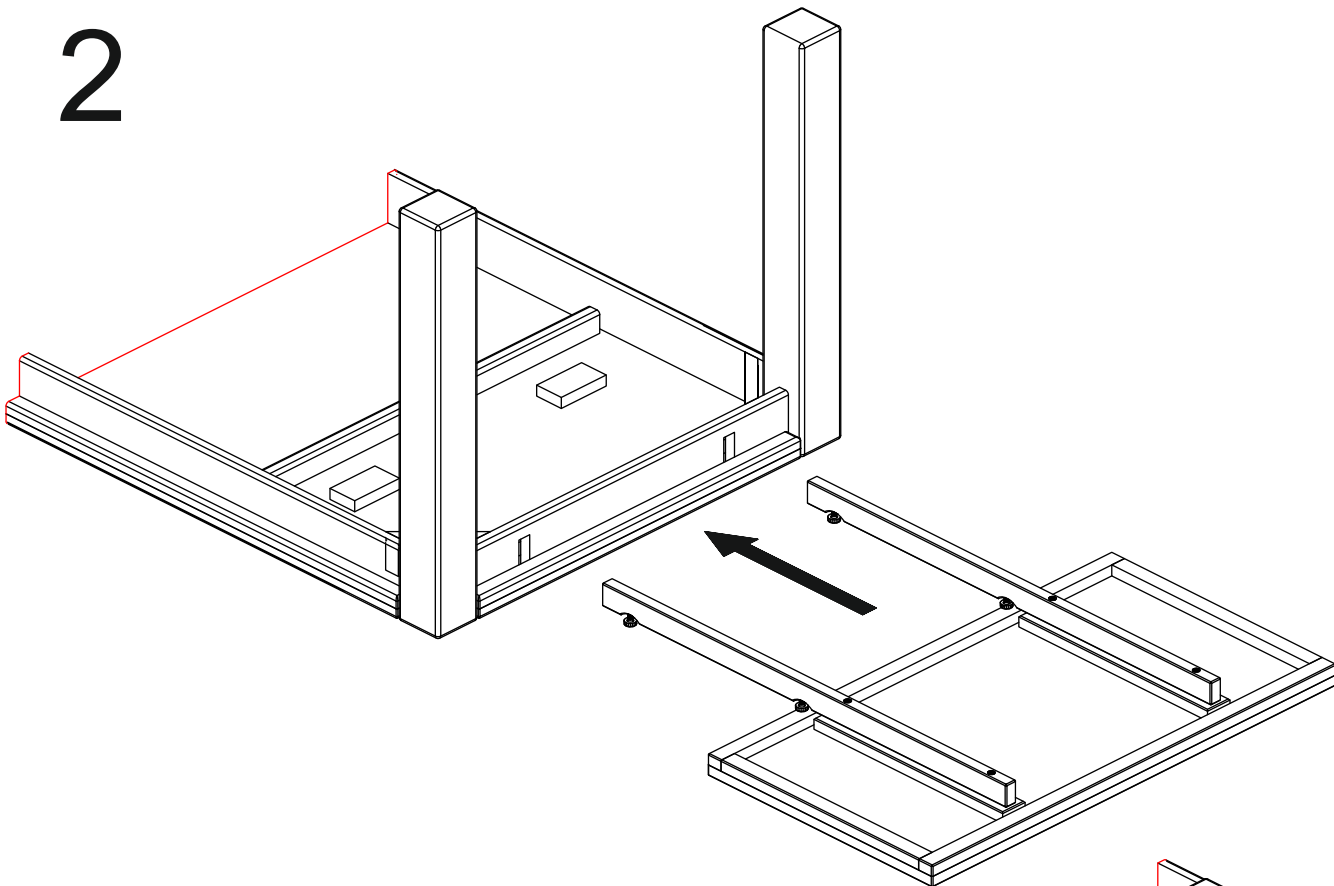


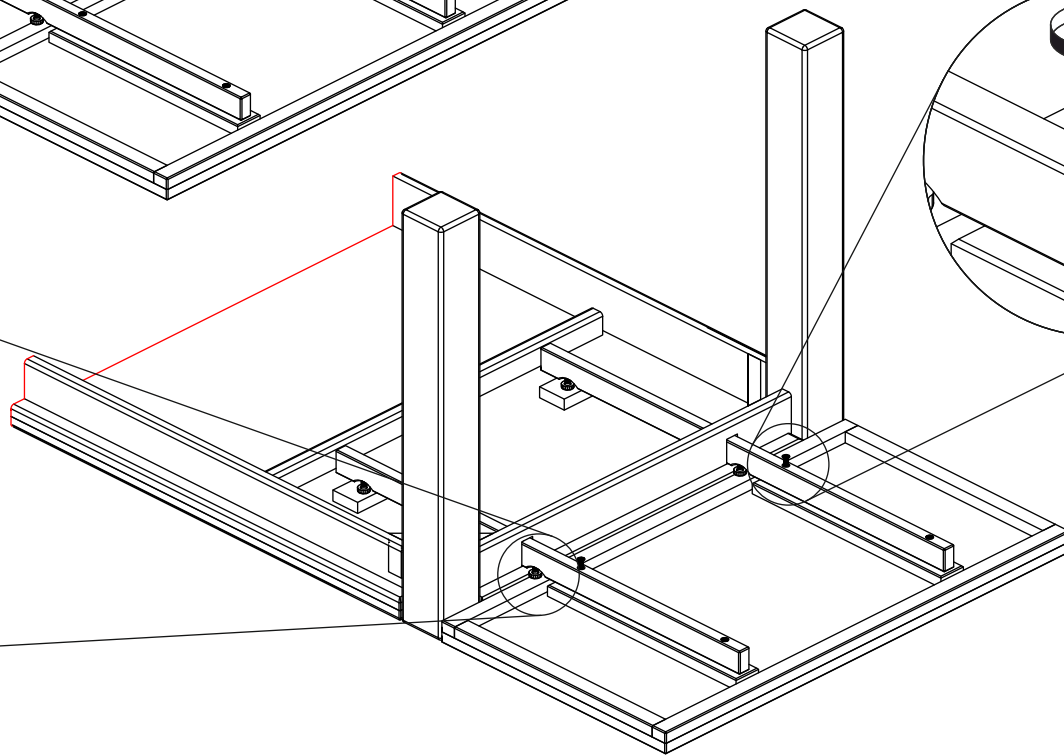
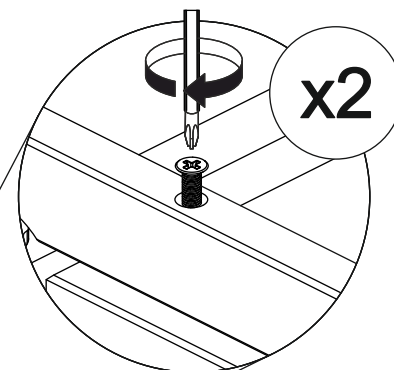
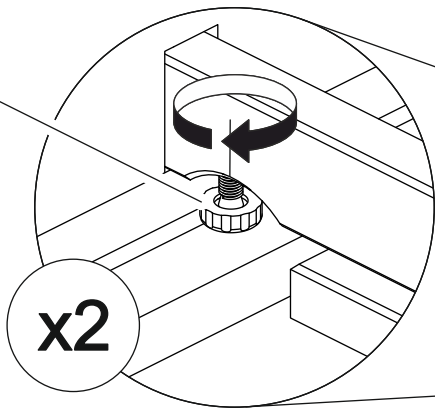
1



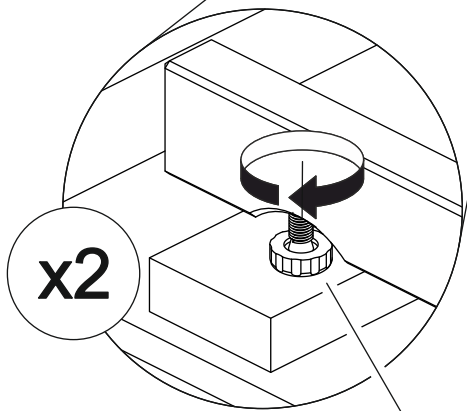
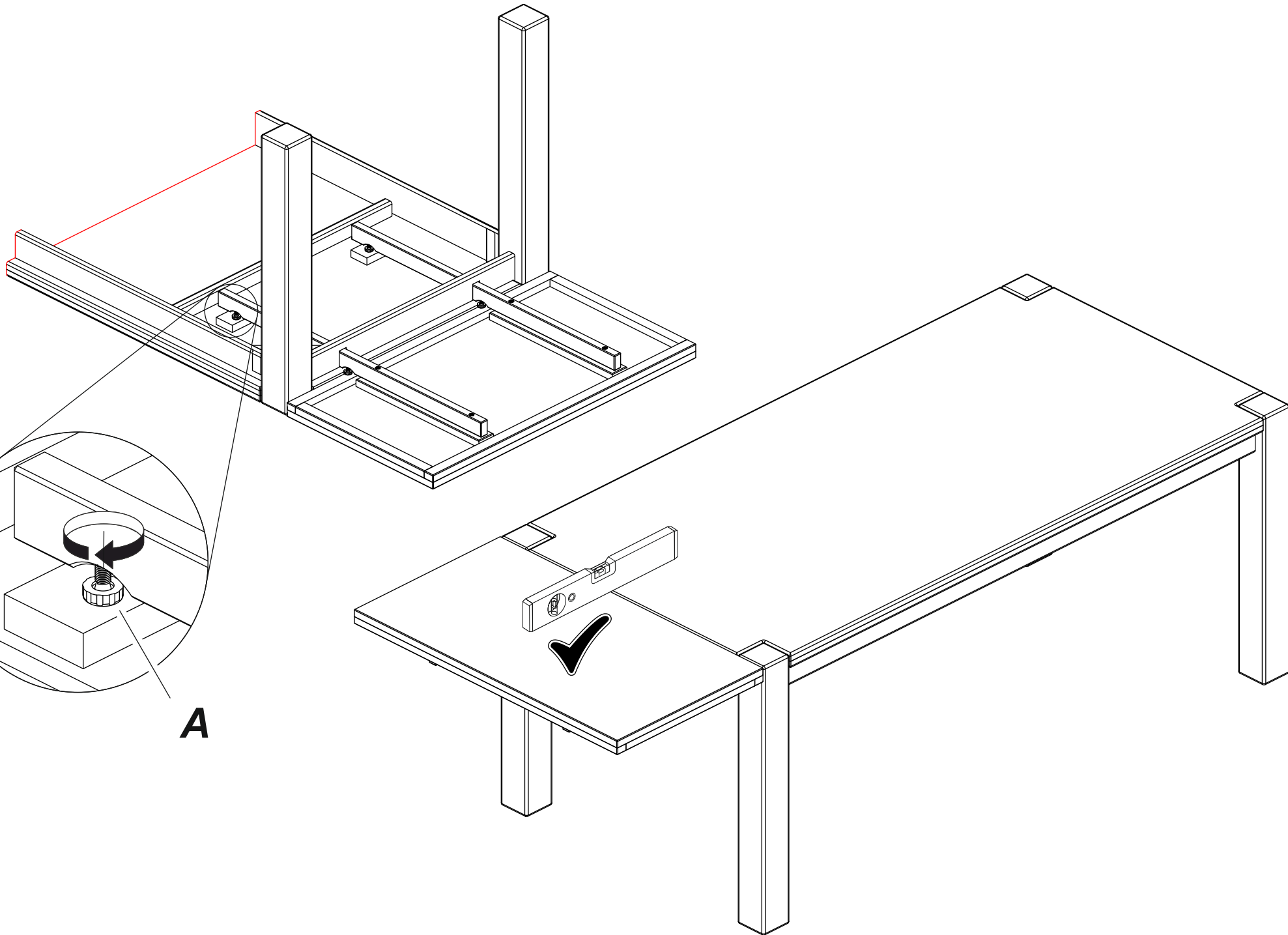
2



A



3



x2

A