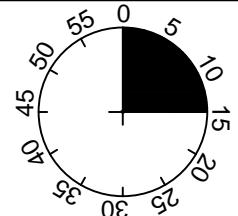
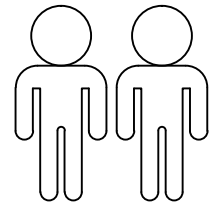
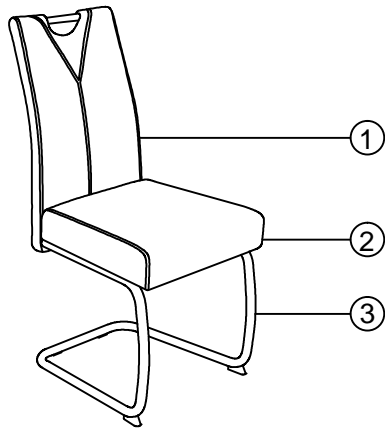


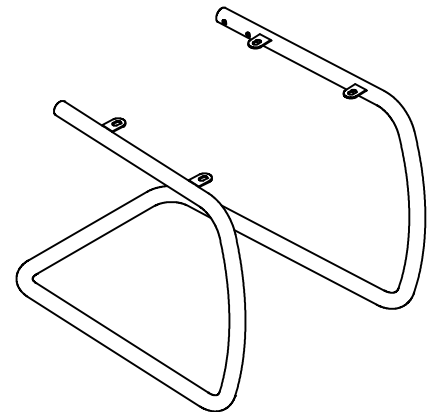
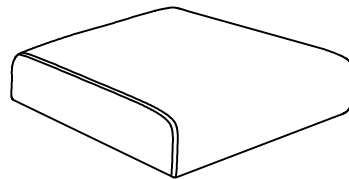
Sophia



1

2

3

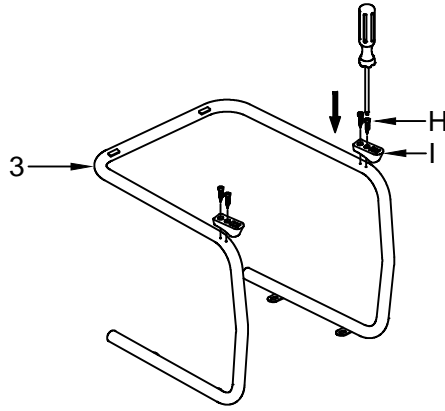





1	1 x
2	1 x
3	1 x

A	M6X20 4x	B	M8x20 4x	C	Ø18xØ8x1.5 4x	D	Ø18xØ6x1.5 4x	E	M8 4x	F	4MM 1x
G	6MM 1x	H	M4x20 4x	I	2x						

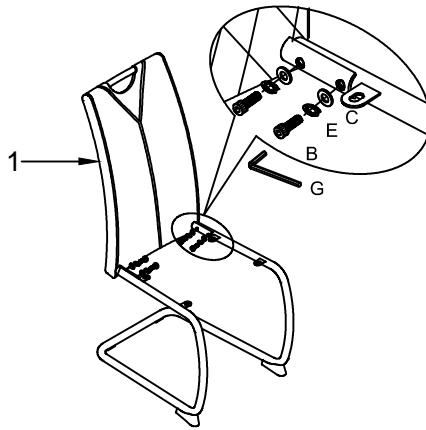
I.


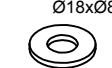

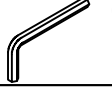

1



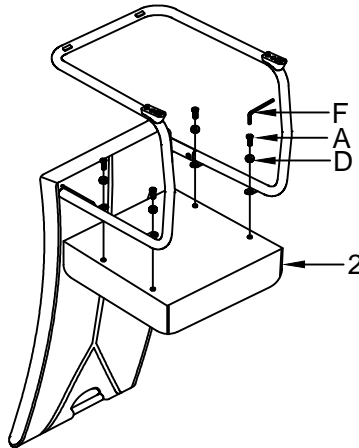
- H** M4x20
 4x
- I**  2x
- 


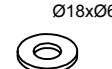
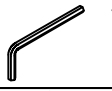

2



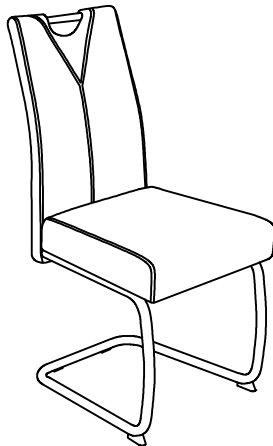
- B** M8x20
 4x
- C** Ø18xØ8x1.5
 4x
- E** M8
 4x
- G** 6MM
 1x
- 

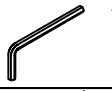
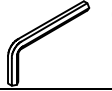
3



- A** M6x20
 4x
- D** Ø18xØ6x1.5
 4x
- F** 4MM
 1x
- 

4



- F** 4MM
 1x
- G** 6MM
 1x
- 