

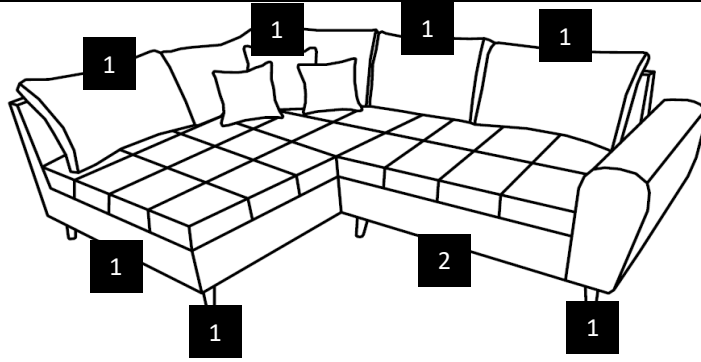
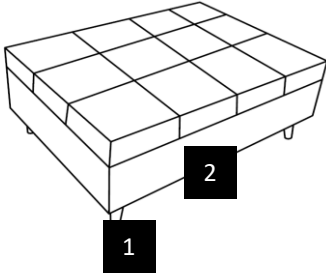


ALICE REC.2AT +H

L



1/2



A1



A x12

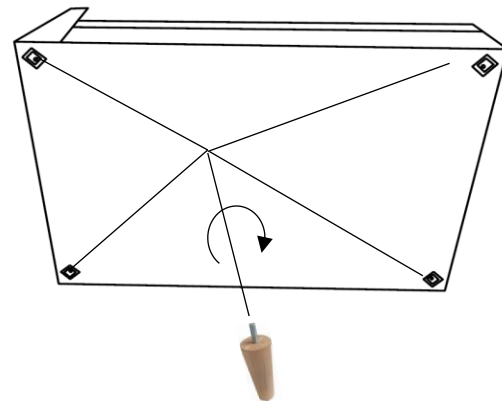
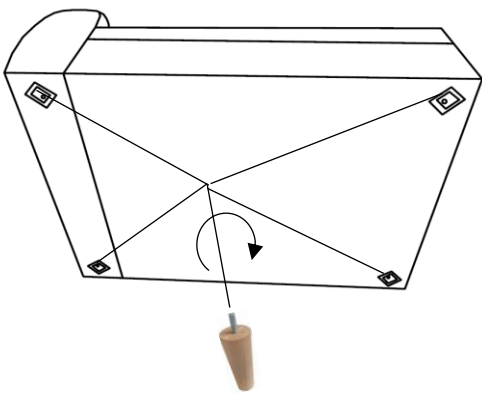


1

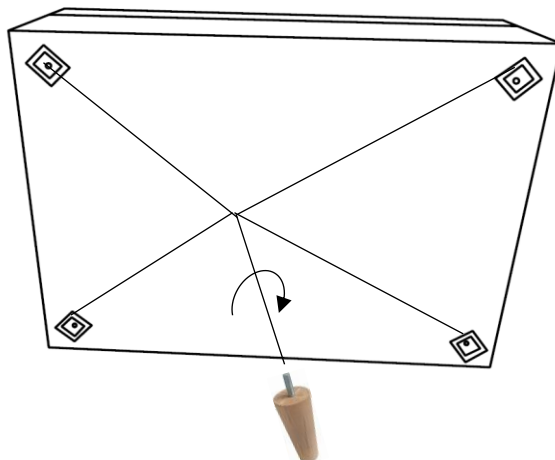


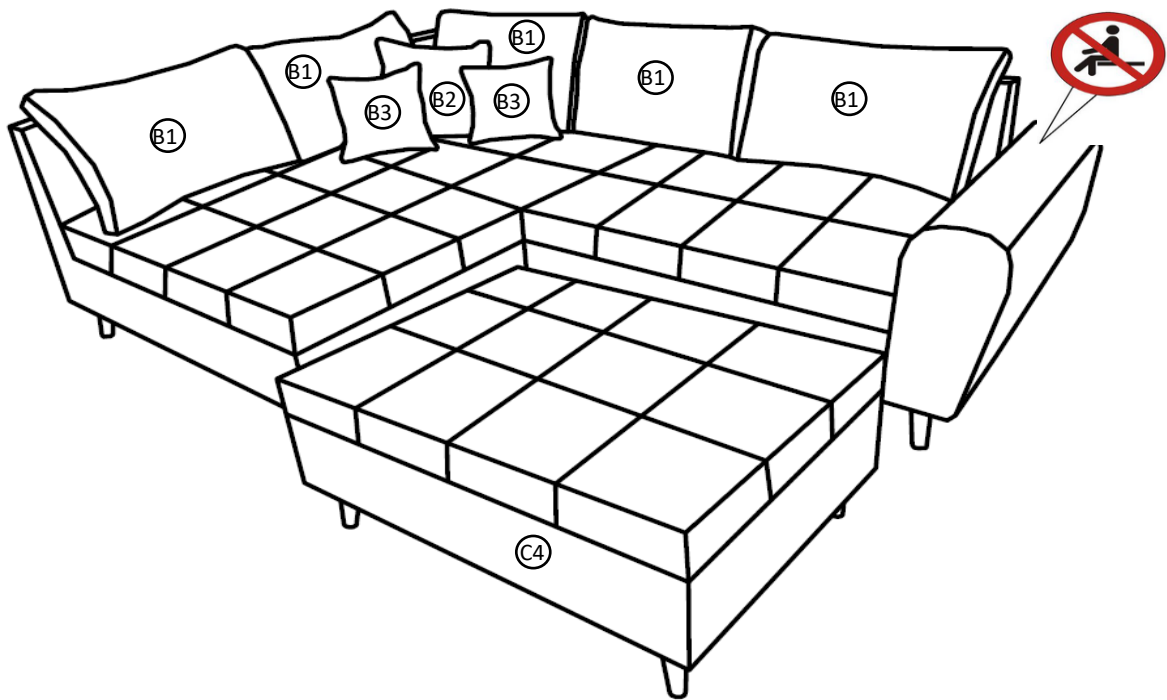
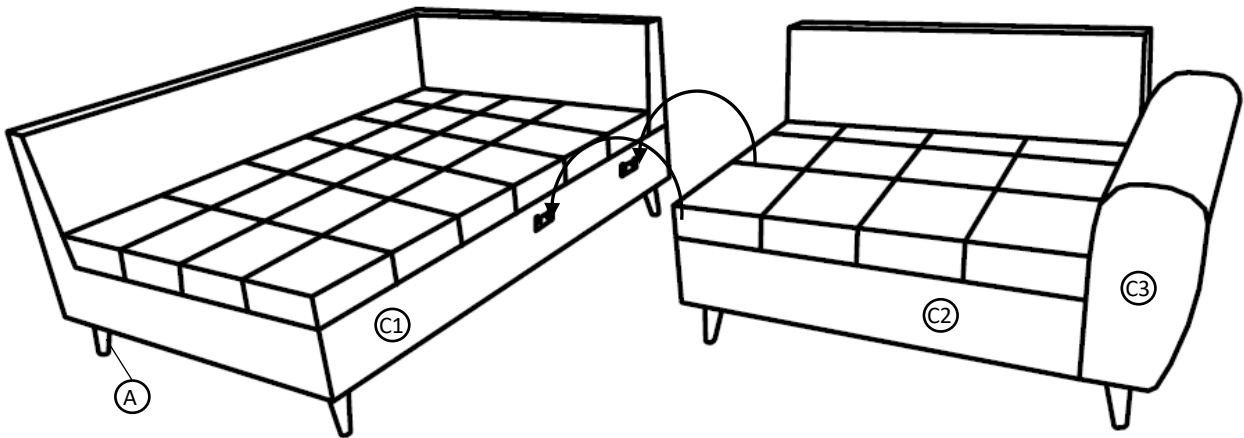
2

1



2





A		
B1		
B2		
B3		
C1		
C2		
C3		
C4		

