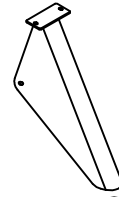
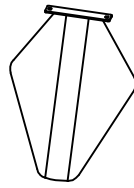
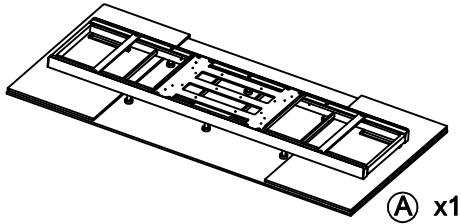
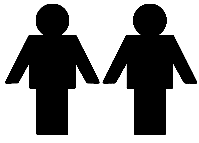


ASSEMBLY INSTRUCTION



M8

① x12



M8x16mm

② x12



③ x4



5#

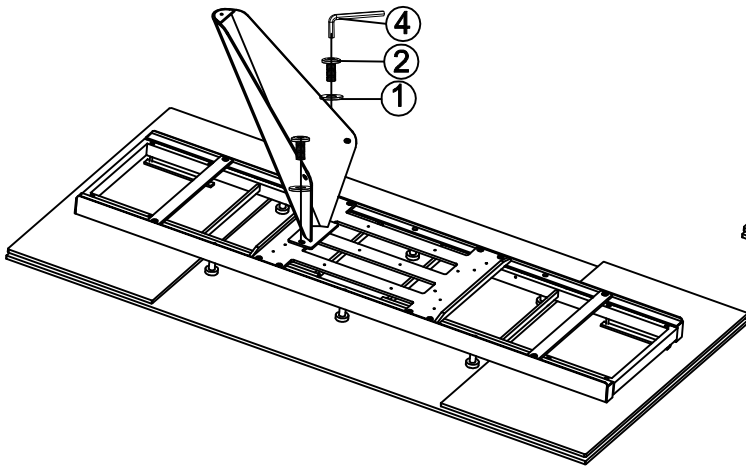
④ x1



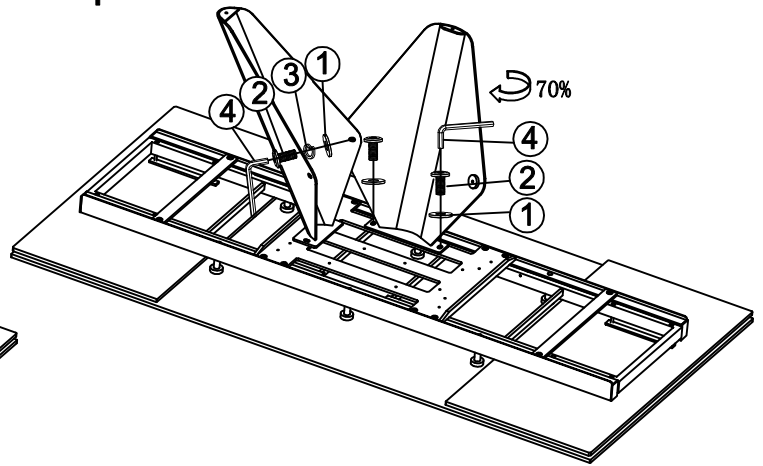
13#

⑤ x1

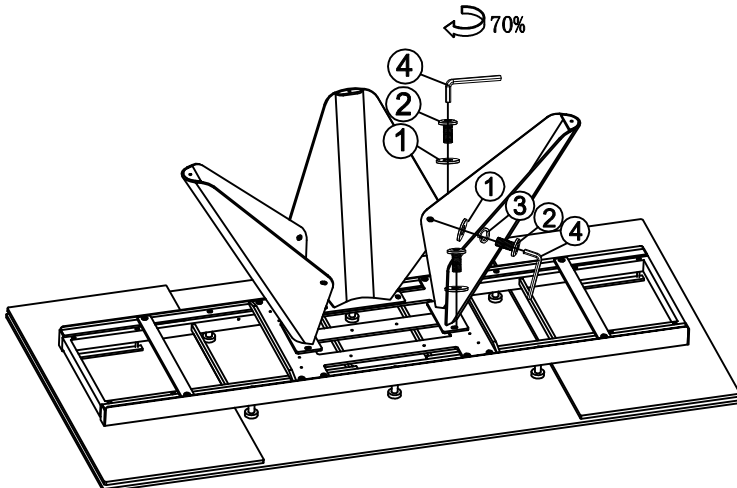
Step 1



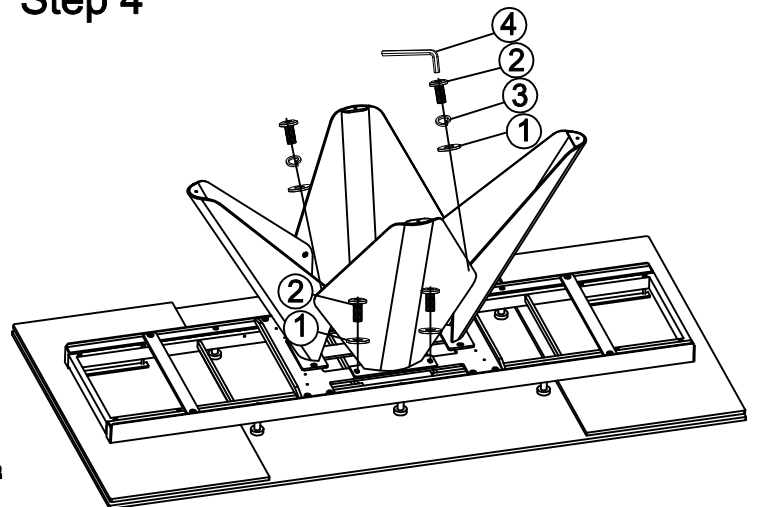
Step 2



Step 3



Step 4



ASSEMBLY INSTRUCTION

Step 5

