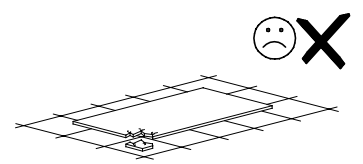
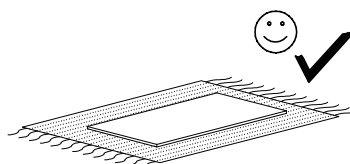
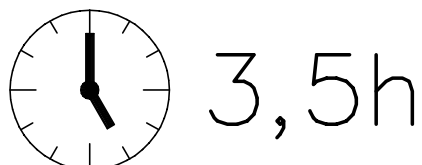
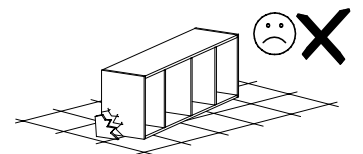
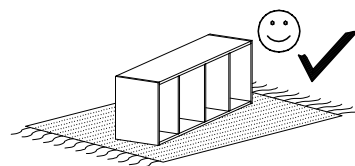
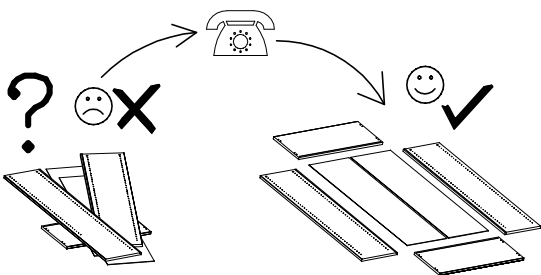
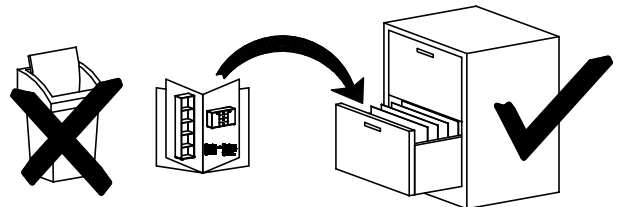
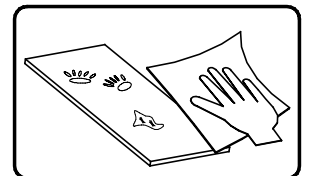
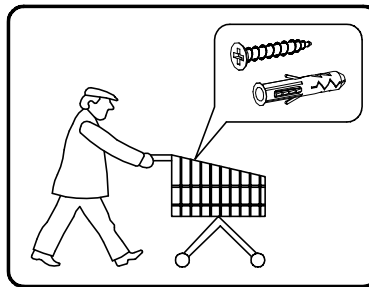
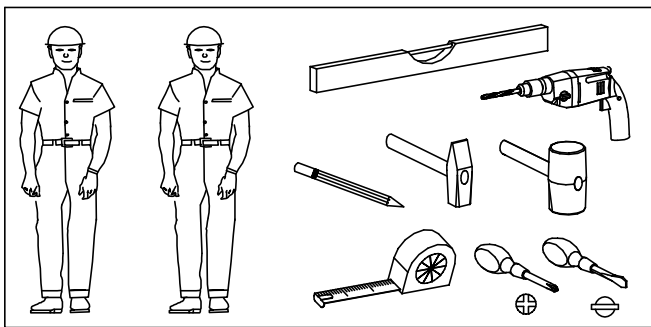
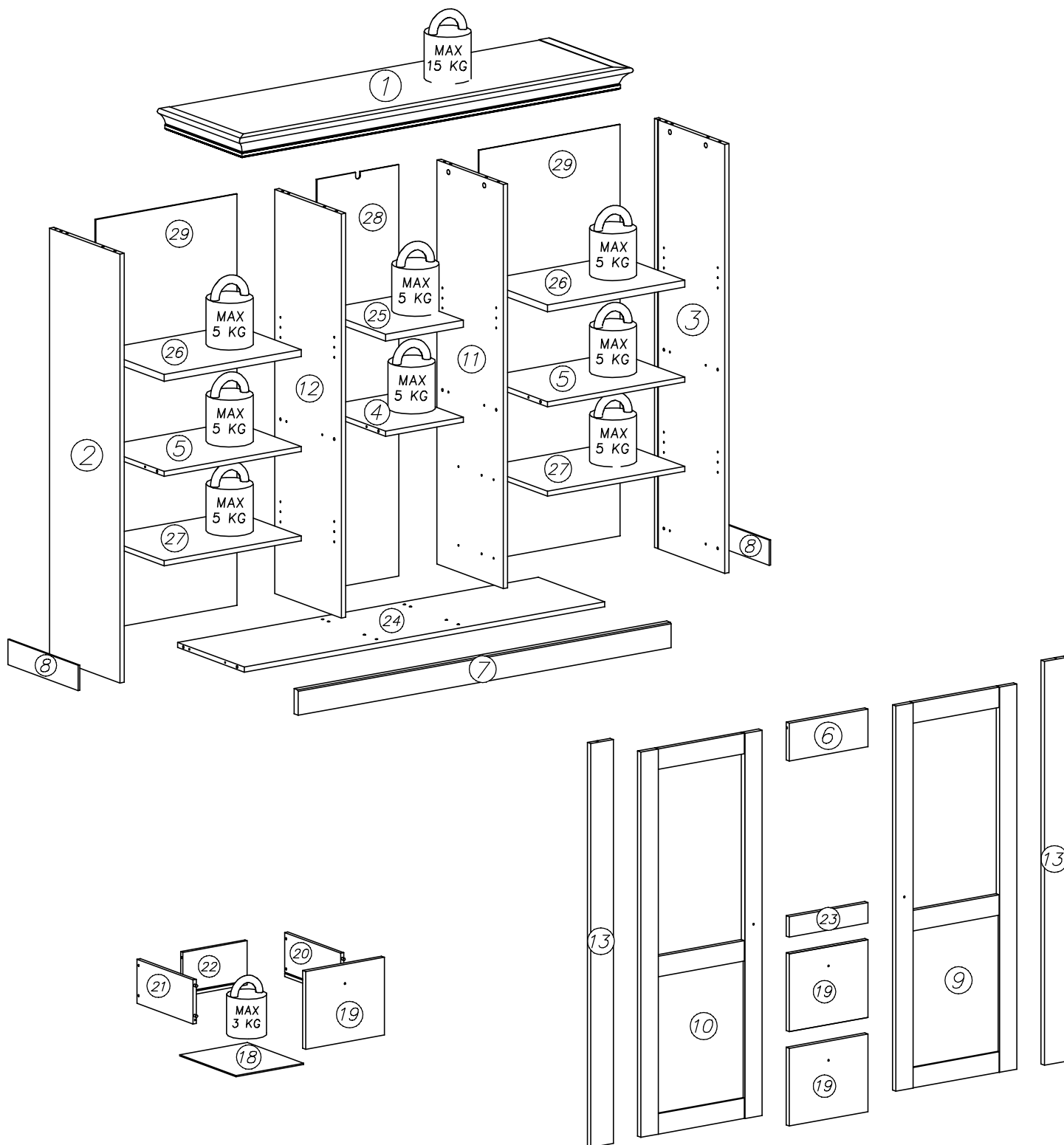


# Modell: LANDHAUS 56



- Ⓛ Montageanleitung
- ⓃⓁ Handleiding voor de montage
- ⓉⓇ Montaj talimati
- ⓕ Notice de montage
- ⒸⓏ Montážní návod
- ⓗⓤ Szerelési útmutató
- ⓖⓔ Assembly instructions
- Ⓟ Instrukcja montażu
- Ⓡⓤ Инструкция по монтажу
- ⓂⓉ Istruzioni di montaggio
- ⓈⓀ Návod na montáž
- Ⓡⓞ Instrucțiuni de montaj
- ⓔⓈ Instrucciones de montaje
- ⓉⓇ Montaj Talimati

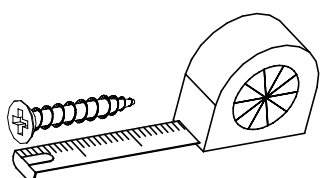
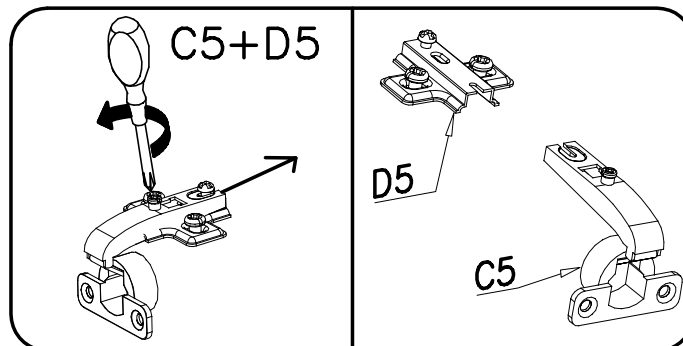
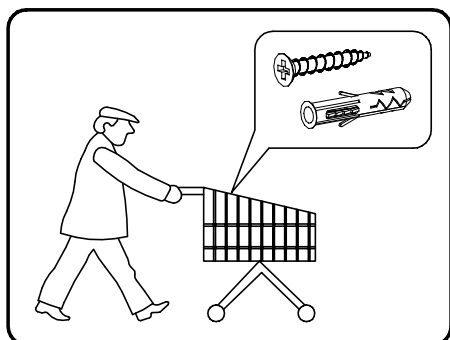


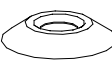
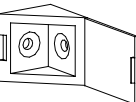
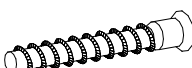
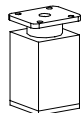
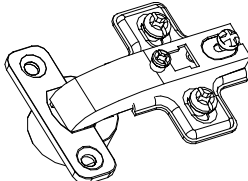


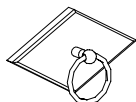
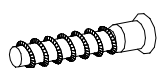
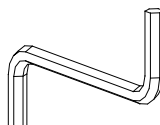
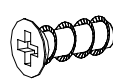
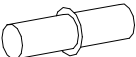

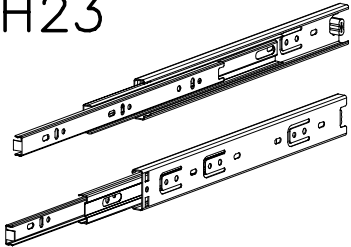

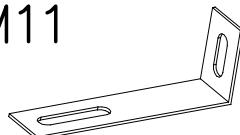
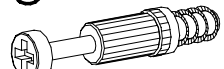

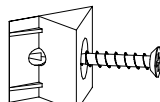

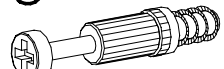


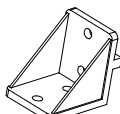


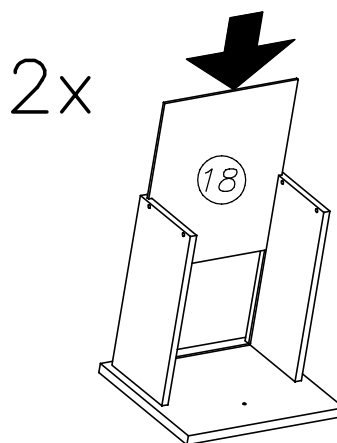
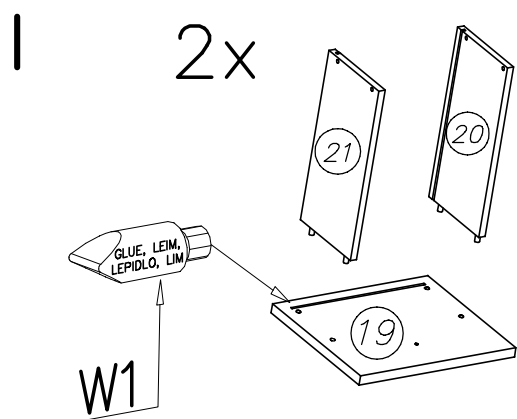
| nr | L[mm] | B[mm] | T[mm] | Menge | Colli |
|----|-------|-------|-------|-------|-------|
| 1  | 1474  | 439   | 70    | 1     | 3/3   |
| 2  | 1363  | 376   | 16    | 1     | 2/3   |
| 3  | 1363  | 376   | 16    | 1     | 2/3   |
| 4  | 291   | 356   | 16    | 1     | 1/3   |
| 5  | 514   | 356   | 16    | 2     | 1/3   |
| 6  | 295   | 120   | 16    | 1     | 1/3   |
| 7  | 1397  | 80    | 22    | 1     | 2/3   |
| 8  | 376   | 80    | 6     | 2     | 2/3   |
| 9  | 1223  | 454   | 18    | 1     | 2/3   |

| nr | L[mm] | B[mm] | T[mm] | Menge | Colli |
|----|-------|-------|-------|-------|-------|
| 10 | 1223  | 454   | 18    | 1     | 2/3   |
| 11 | 1284  | 356   | 16    | 1     | 3/3   |
| 12 | 1284  | 356   | 16    | 1     | 3/3   |
| 13 | 1283  | 85    | 18    | 1     | 2/3   |
| 18 | 251   | 301   | 3     | 2     | 1/3   |
| 19 | 295   | 247   | 16    | 2     | 1/3   |
| 20 | 300   | 140   | 12    | 2     | 2/3   |
| 21 | 300   | 140   | 12    | 2     | 2/3   |
| 22 | 241   | 140   | 12    | 2     | 2/3   |

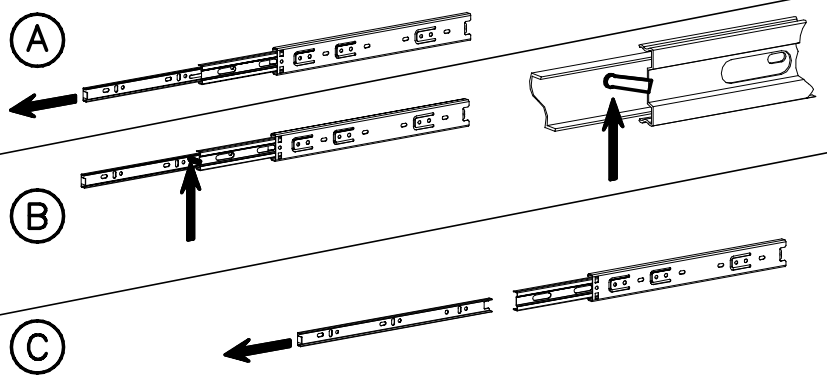
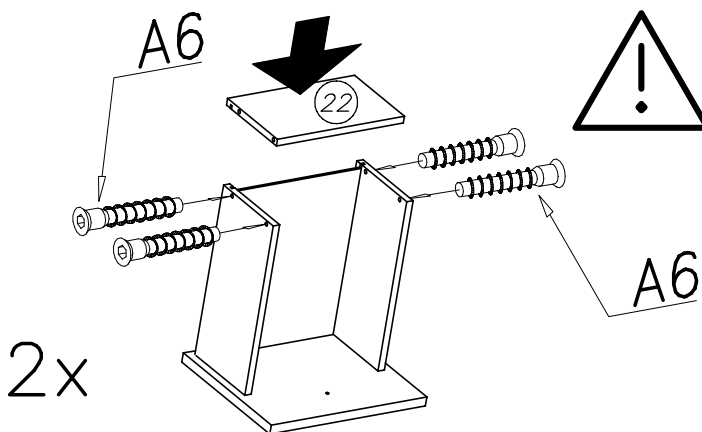
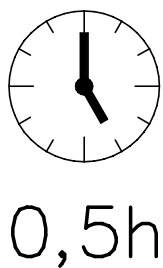
| nr | L[mm] | B[mm] | T[mm] | Menge | Colli |
|----|-------|-------|-------|-------|-------|
| 23 | 295   | 65    | 16    | 1     | 1/3   |
| 24 | 1351  | 356   | 16    | 1     | 1/3   |
| 25 | 291   | 351   | 22    | 1     | 3/3   |
| 26 | 514   | 336   | 22    | 2     | 3/3   |
| 27 | 514   | 351   | 16    | 2     | 1/3   |
| 28 | 1306  | 307   | 3     | 1     | 2/3   |
| 29 | 1306  | 530   | 3     | 2     | 2/3   |



|  |  |   |   |
|--|--|---|---|
| S2<br><br>x24           | F4<br><br>x2                                | A1<br><br>ø7x50<br>x4     | P27<br><br>x2  |
| C5+D5<br><br>x6         | W1<br><br>GLUE, LEIM,<br>LEPIDLO, LIM<br>x2 | N15<br><br>M4x25<br>x4    | E93<br><br>x4  |
| A6<br><br>ø7x40<br>x8   | W2<br><br>x1                                | G20<br><br>5x13<br>x20    | F2<br><br>x20  |
| K1<br><br>ø15x12<br>x24 | H23<br><br>H35-300mm<br>x2                  | I7<br><br>ø18<br>x24      | M11<br><br>x1  |
| K15<br><br>x24          | B1<br><br>ø8x35<br>x28                      | I1<br><br>x14             | P4<br><br>x6   |
| K15<br><br>x24          | B1<br><br>ø8x35<br>x28                      | G34<br><br>3,5x16<br>x142 | F12<br><br>x16 |

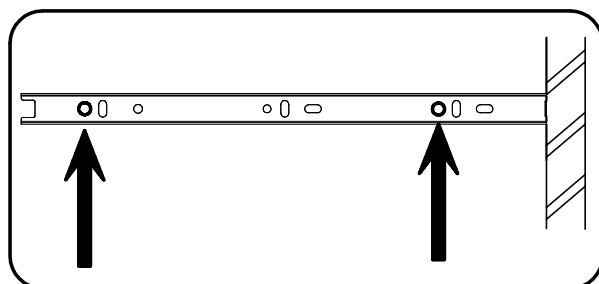
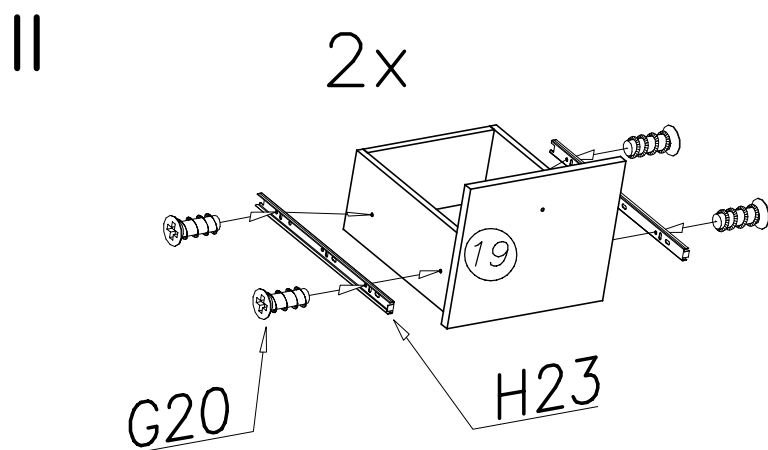


- W1 x1
- W2 x1
- A6 x8
- Ø7x40



- G20 x8
- 5x13

- H23 x2
- H35-300mm



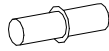


P4



x4

F2



x8

B1



ø8x35

x20

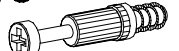
K1



ø15x12

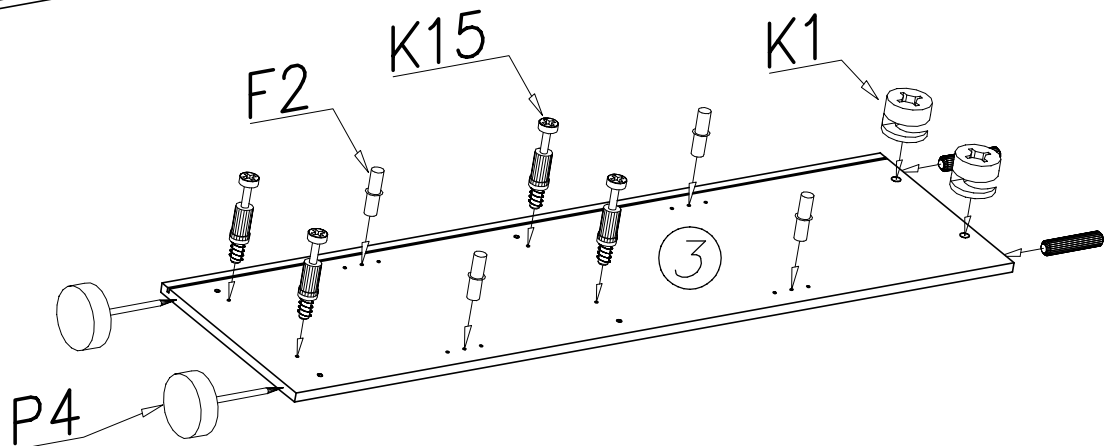
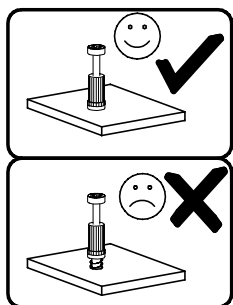
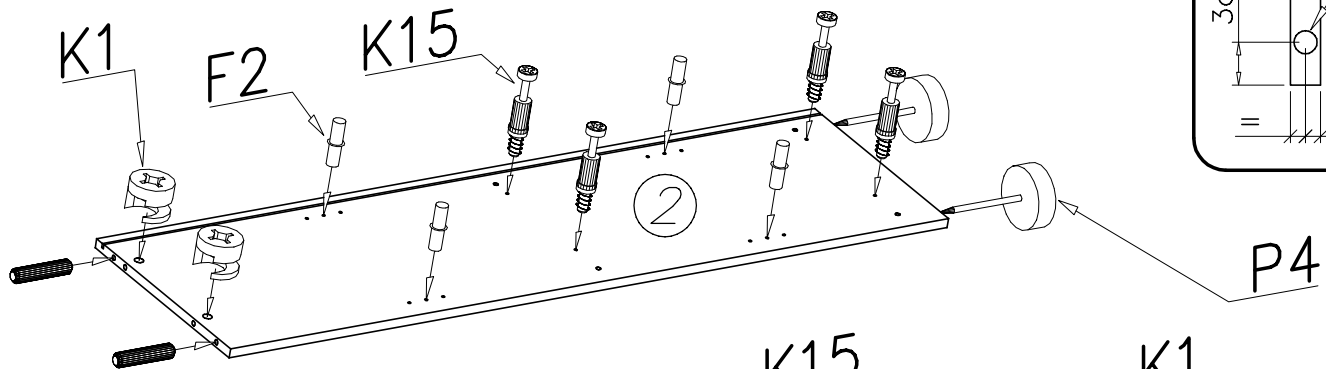
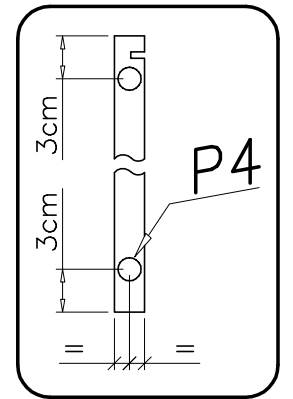
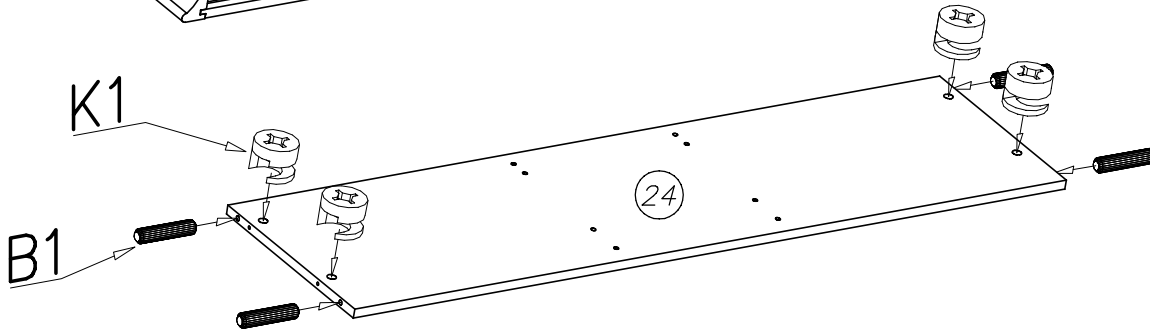
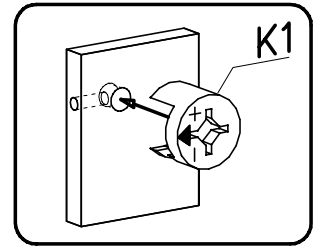
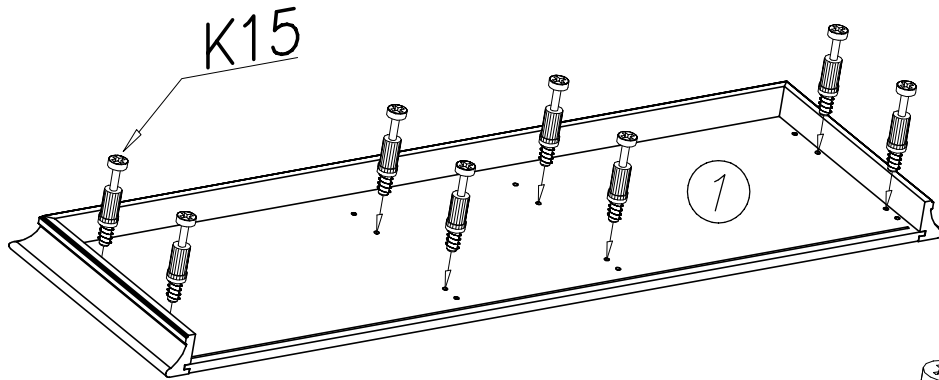
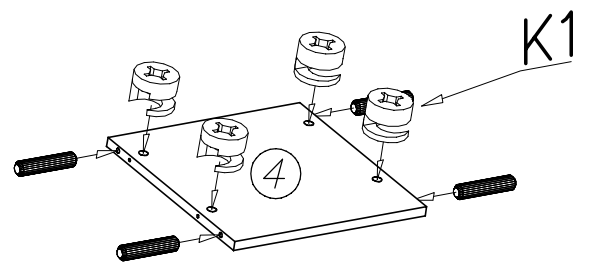
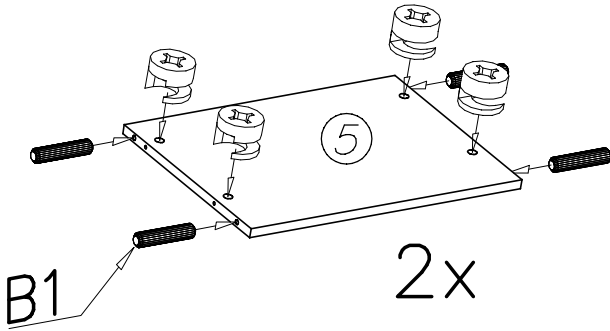
x20

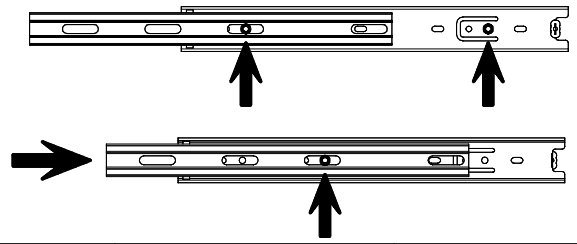
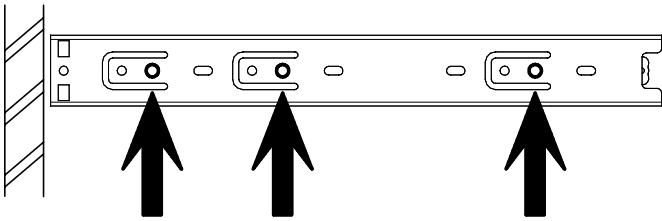
K15



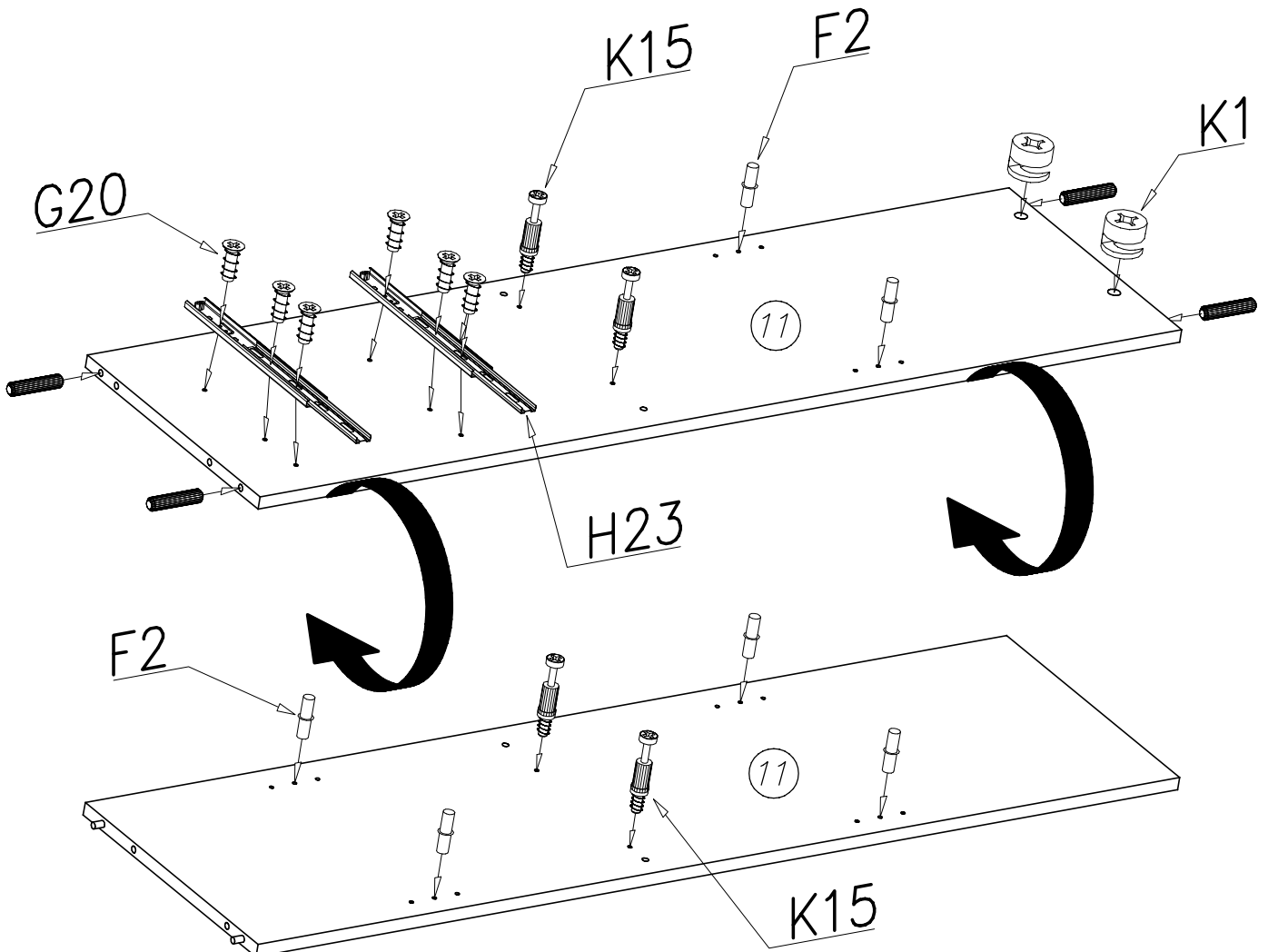
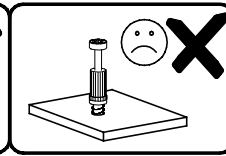
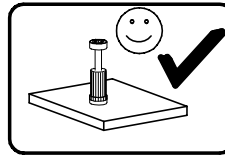
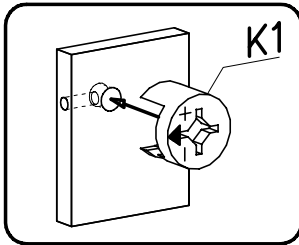
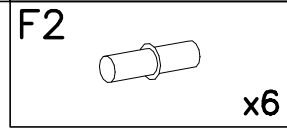
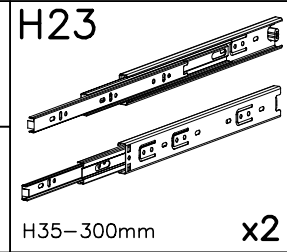
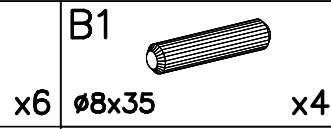
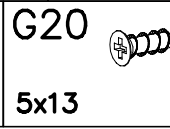
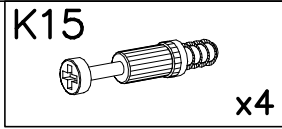
x16

III



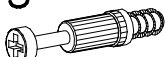



IV




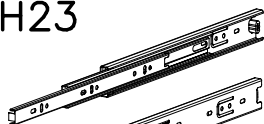



V

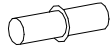
K15  x4

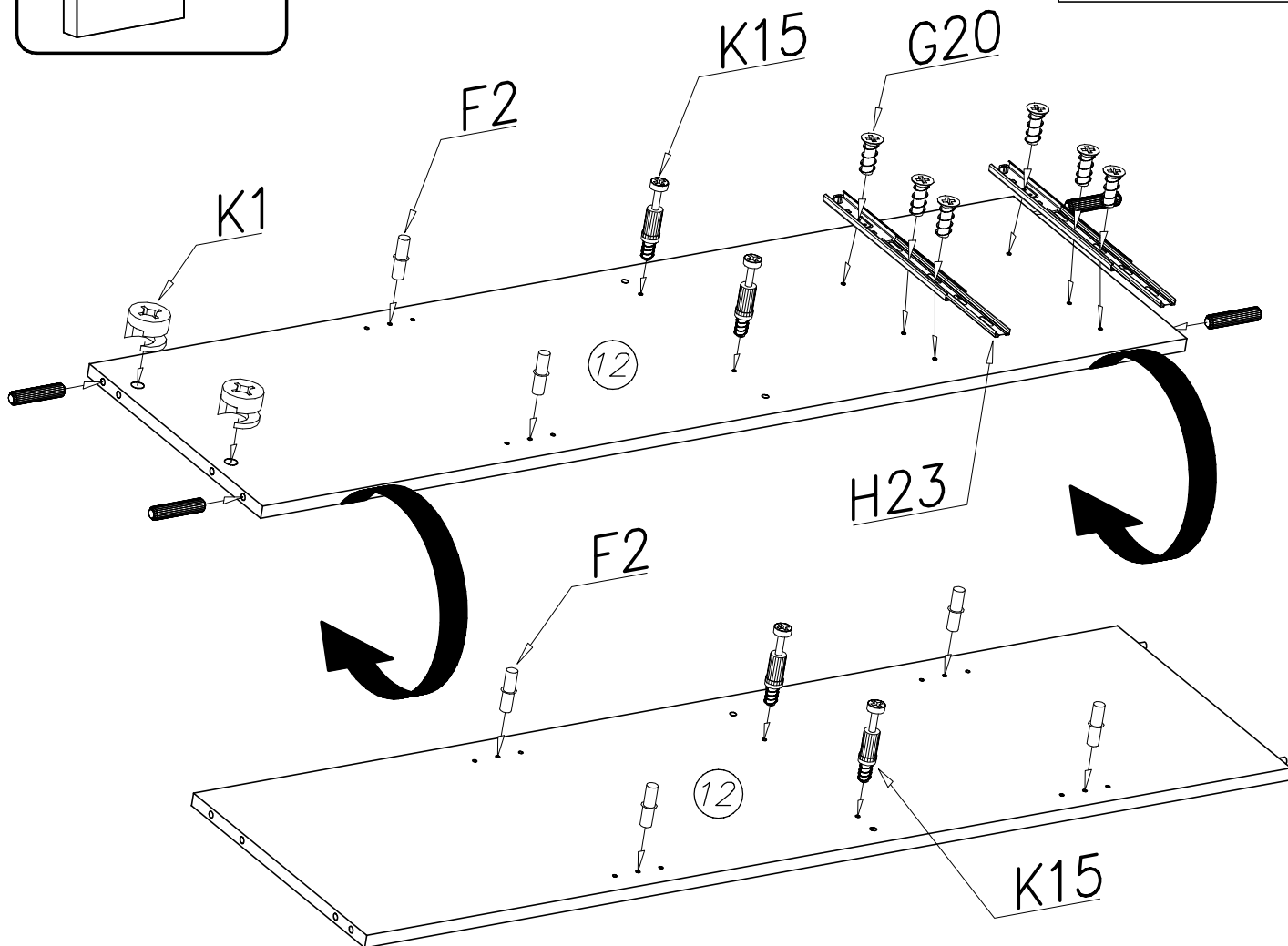
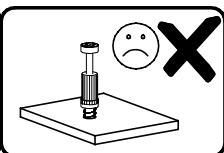
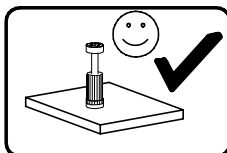
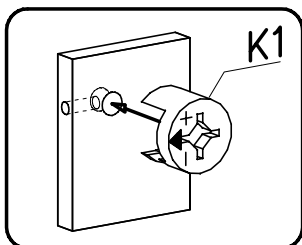
G20  x6

B1  x4


H23  x2

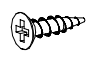
K1  x2

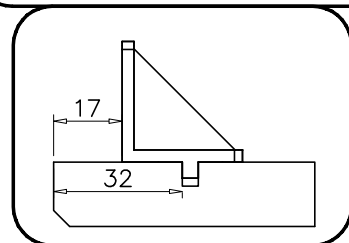
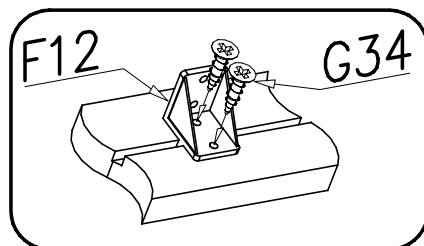
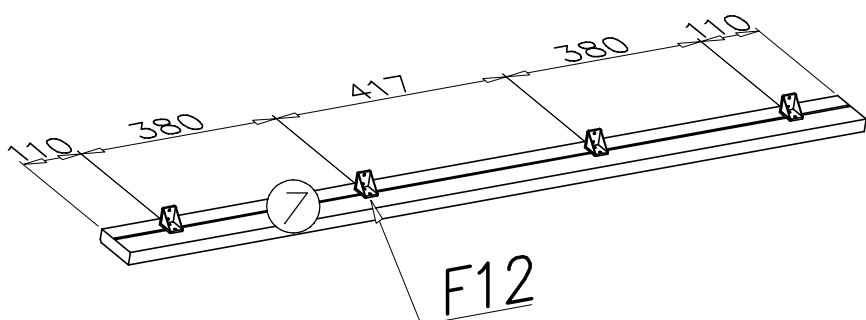
F2  x6



VI

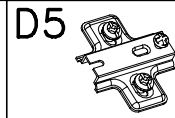
F12  x4

G34  x8





VII

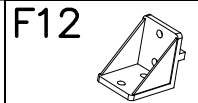


x6

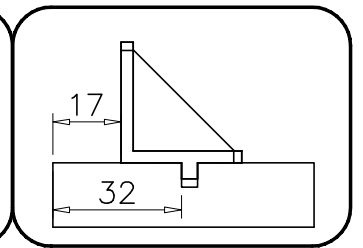
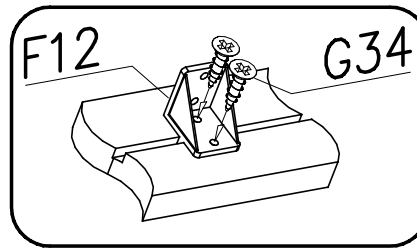
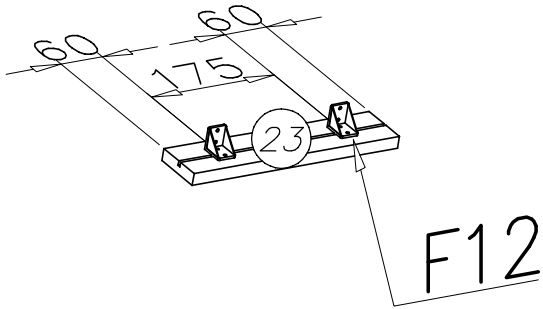
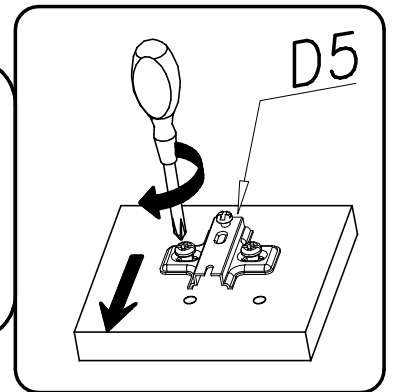
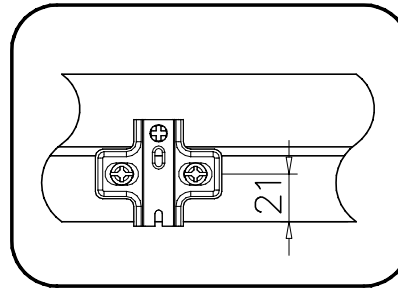
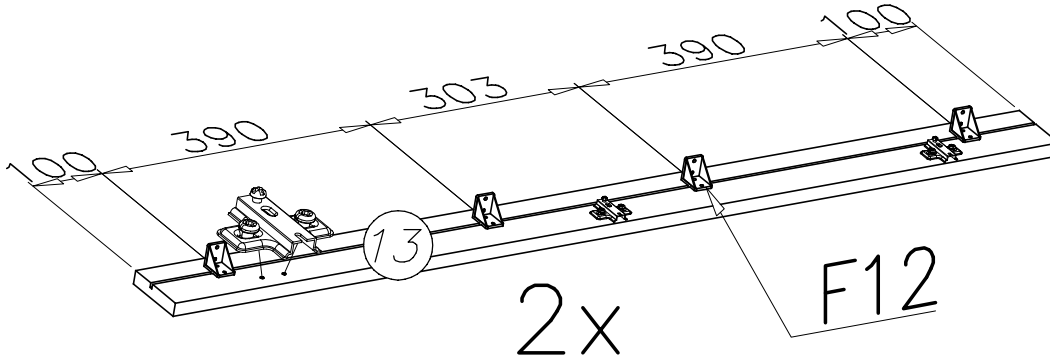


3,5x16

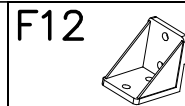
x20



x10



VIII

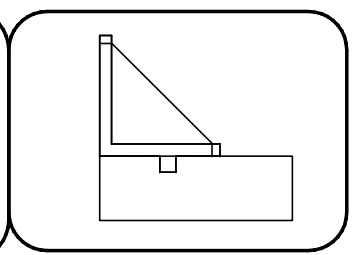
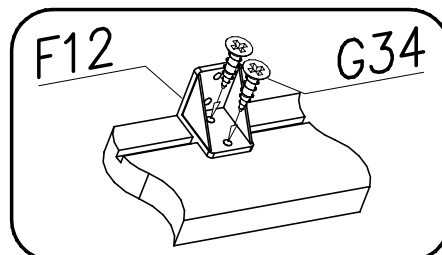
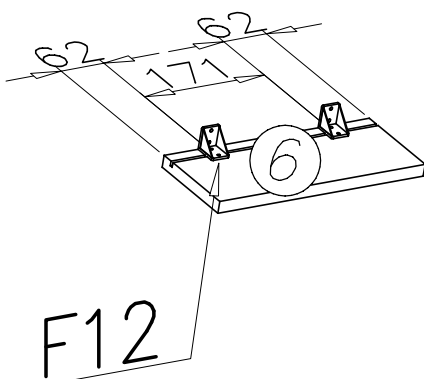


x2



3,5x16

x4







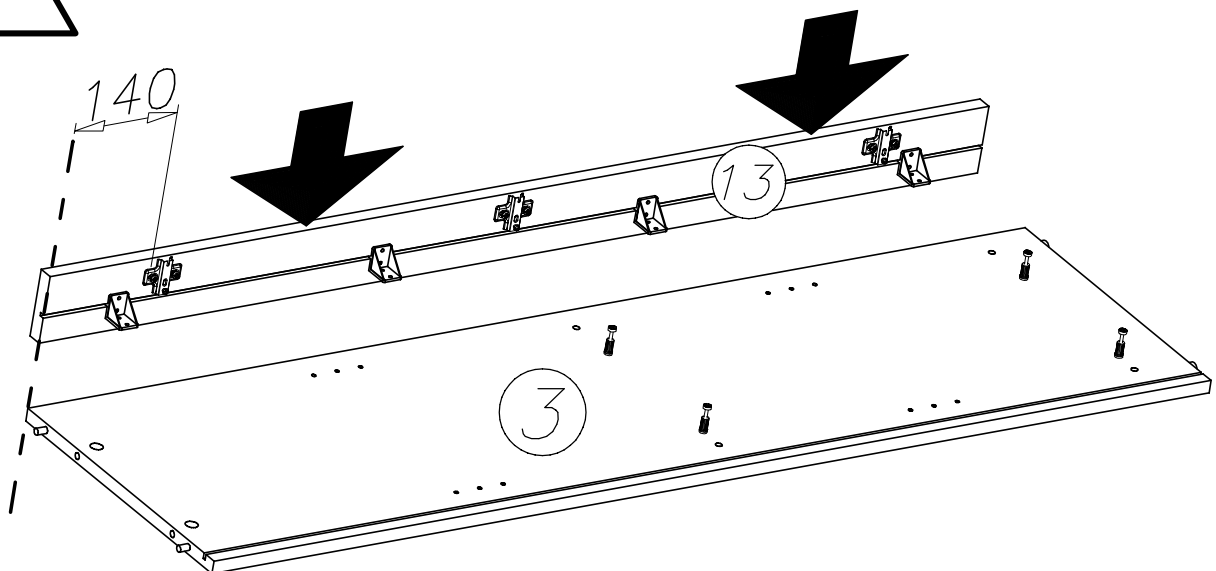
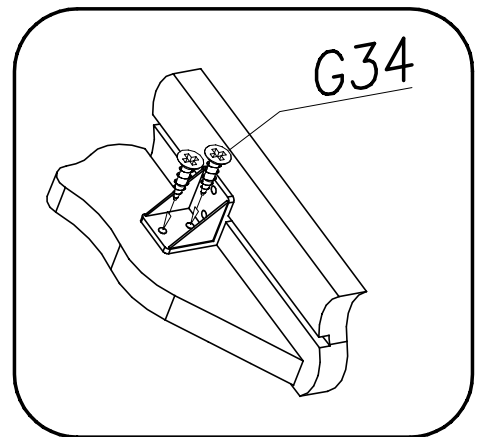
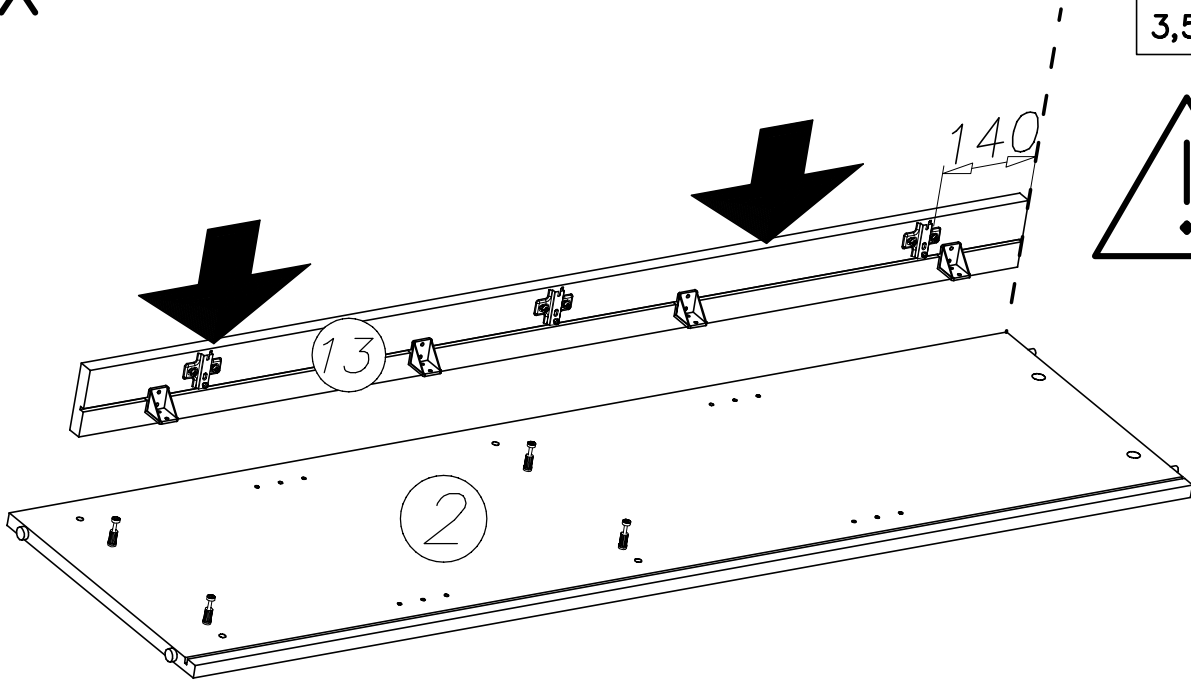
IX

G34



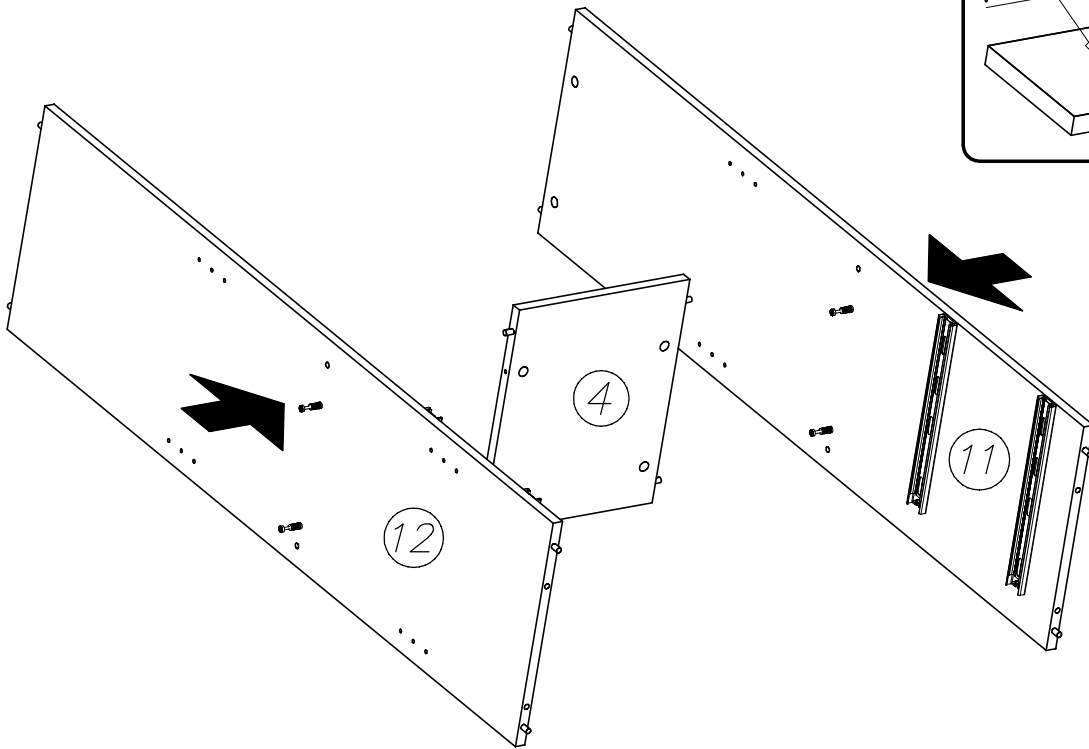
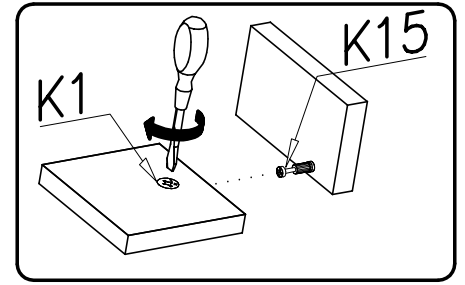
3,5x16

x16



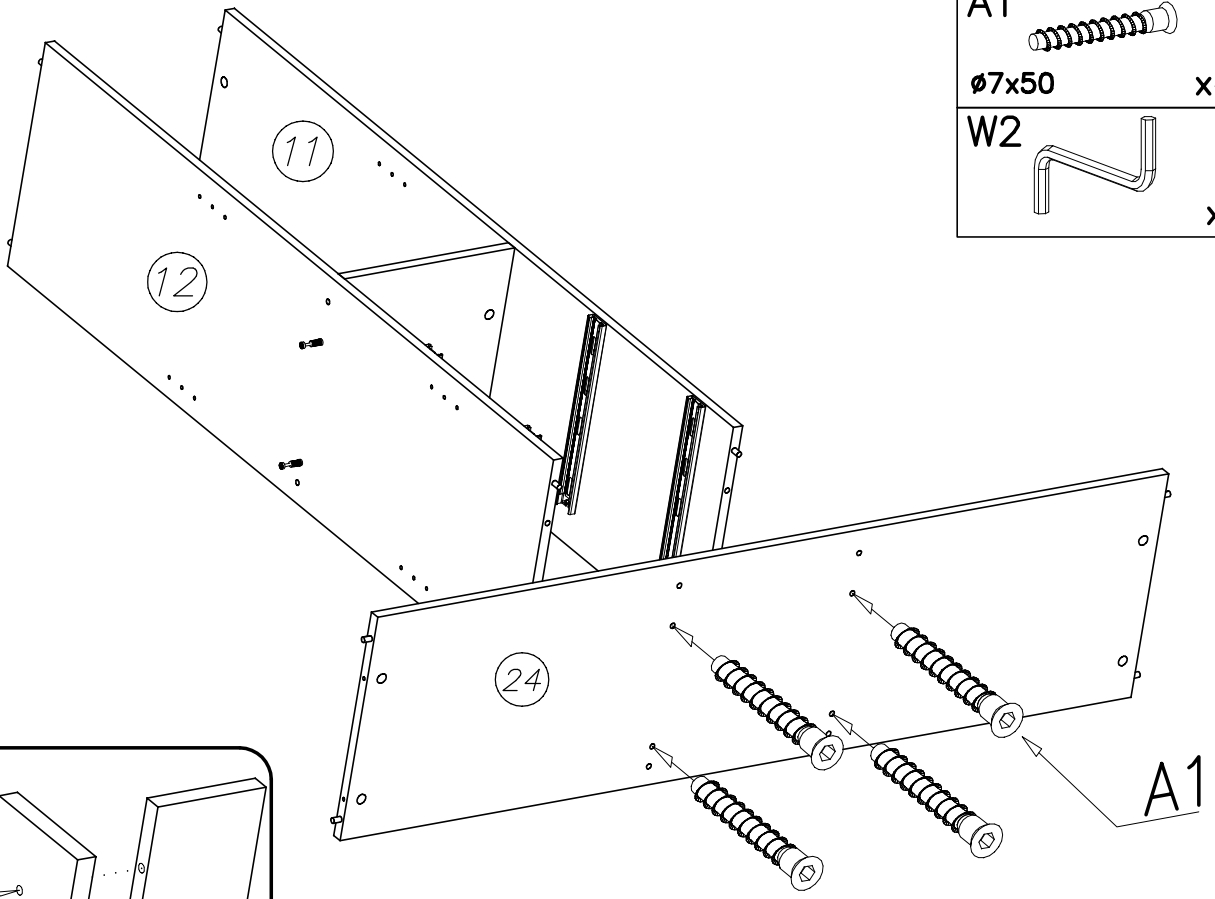
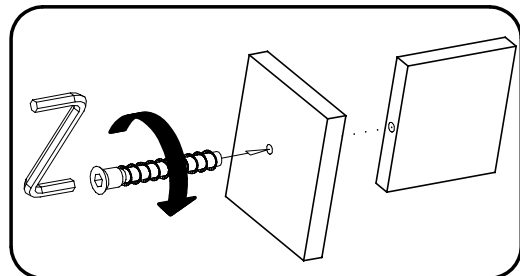


X



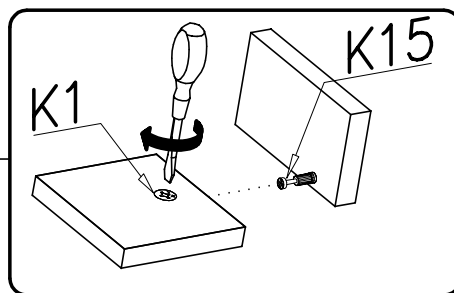
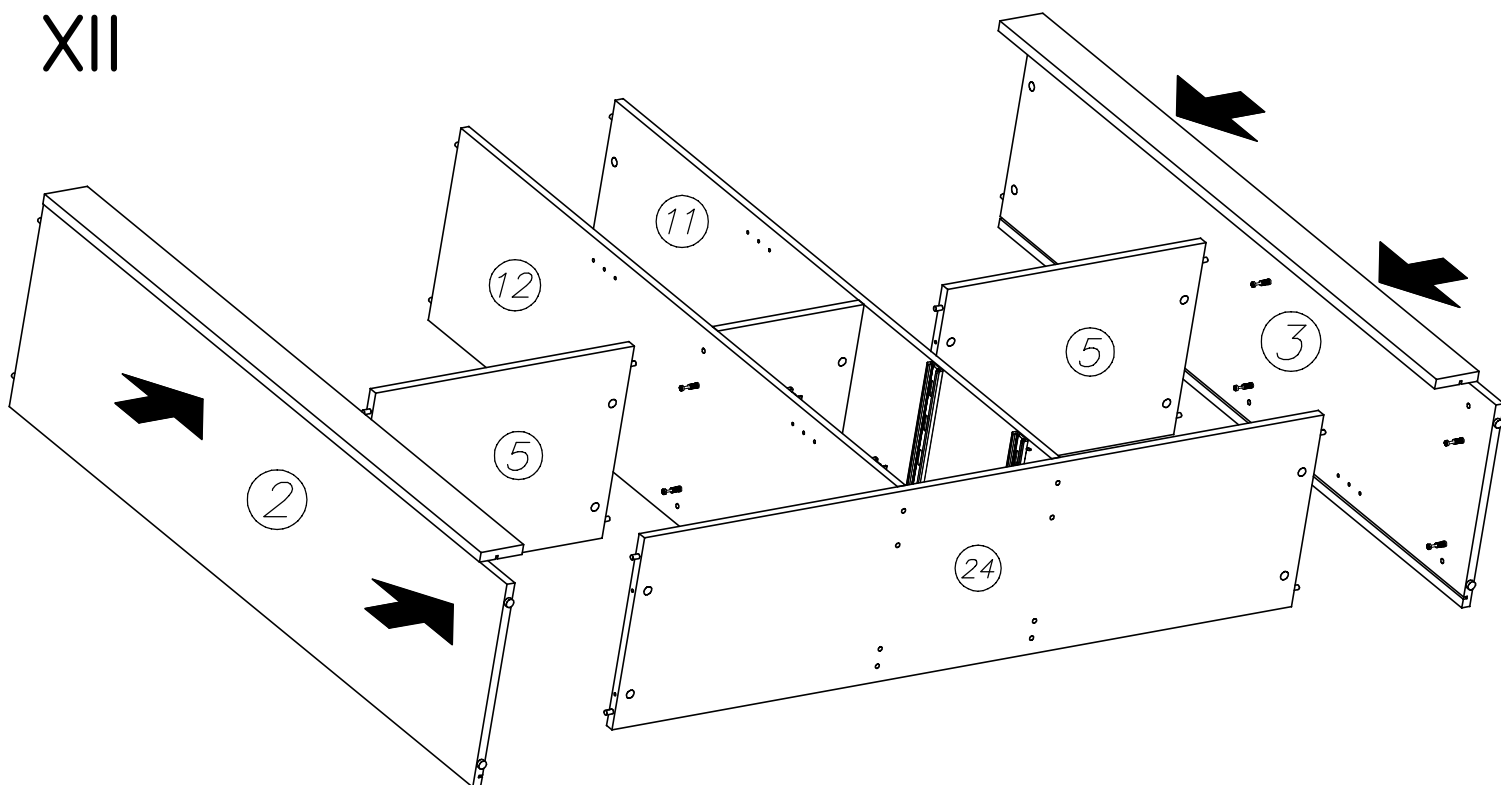
XI

- A1  $\varnothing 7 \times 50$  x4
- W2 x1

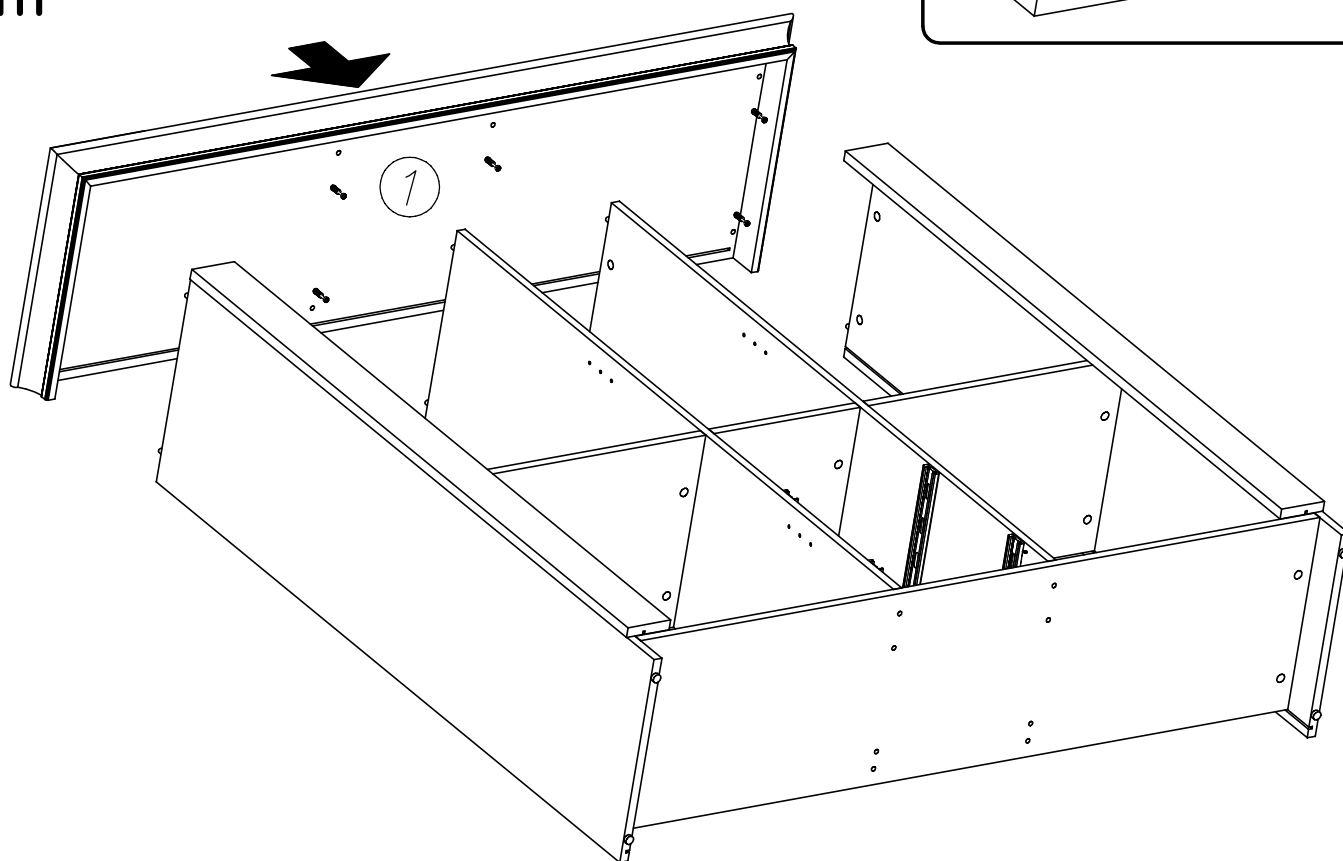




XII

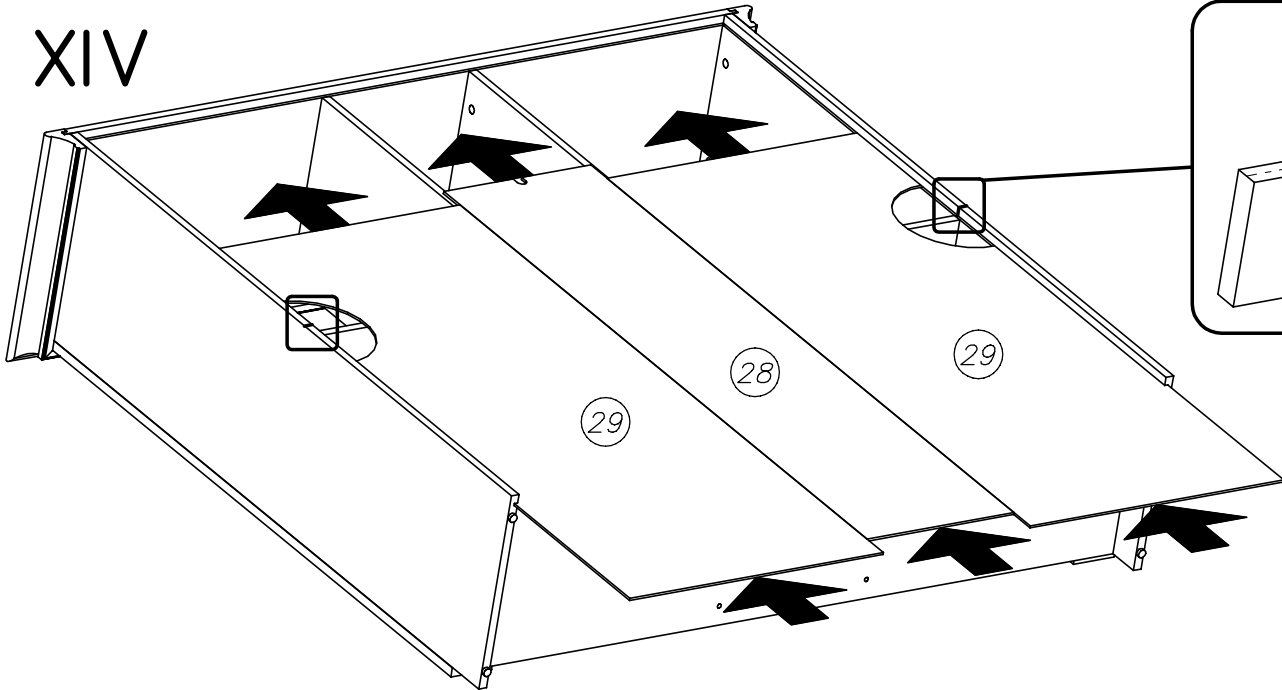


XIII

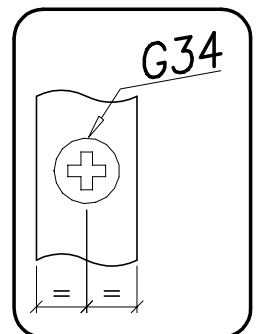
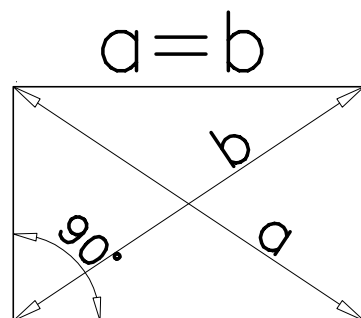
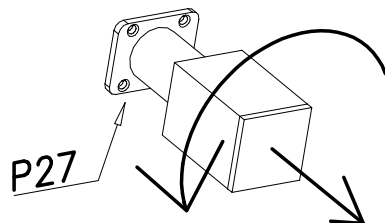
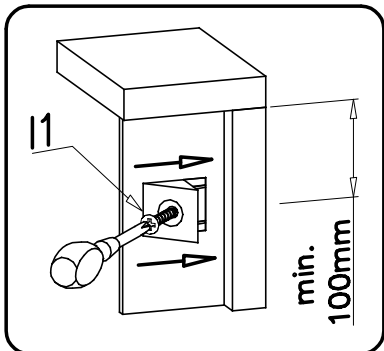
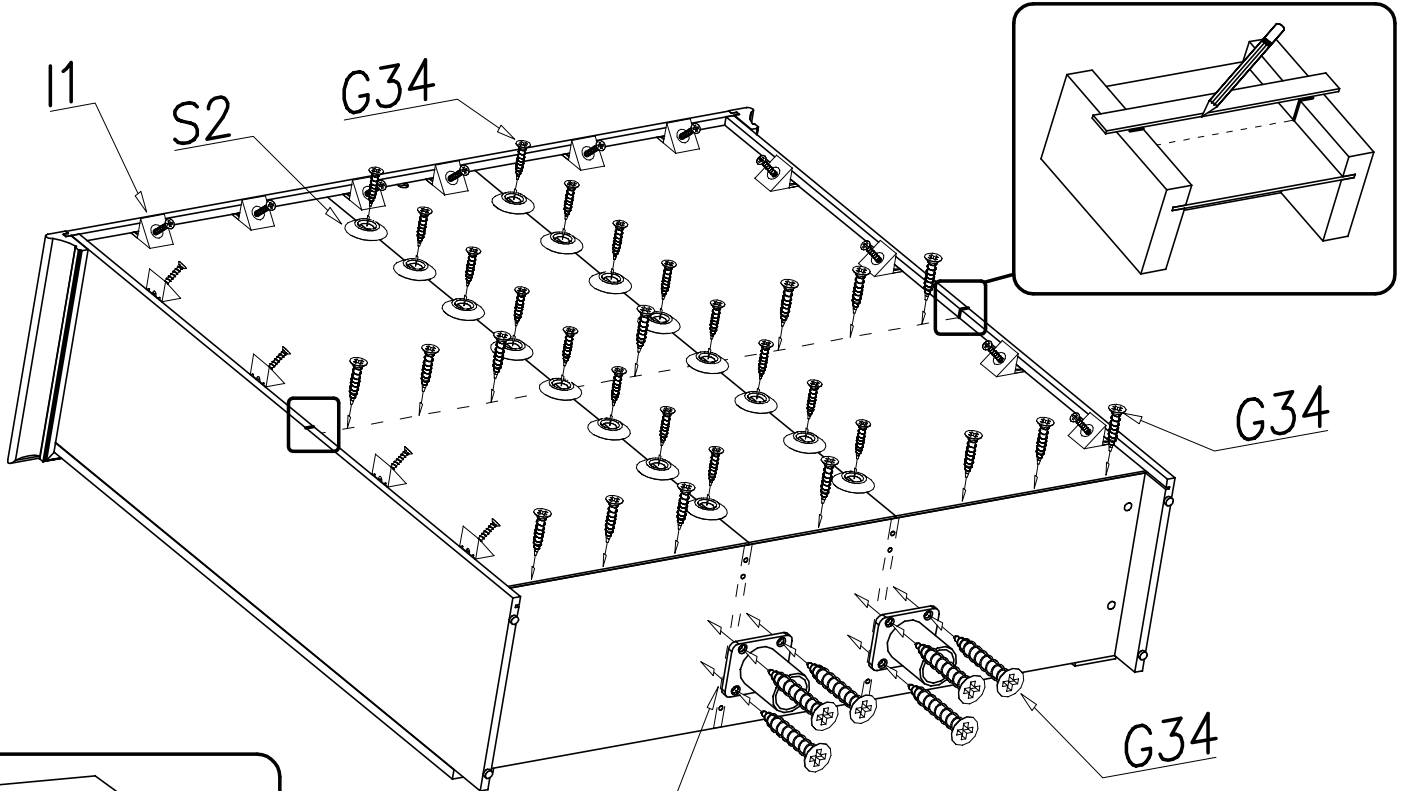
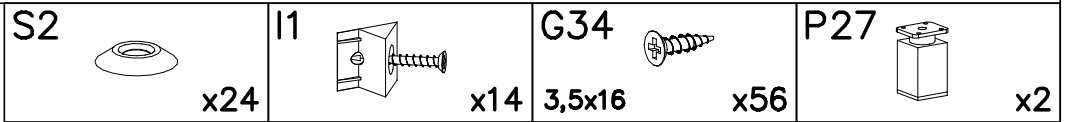




XIV



XV





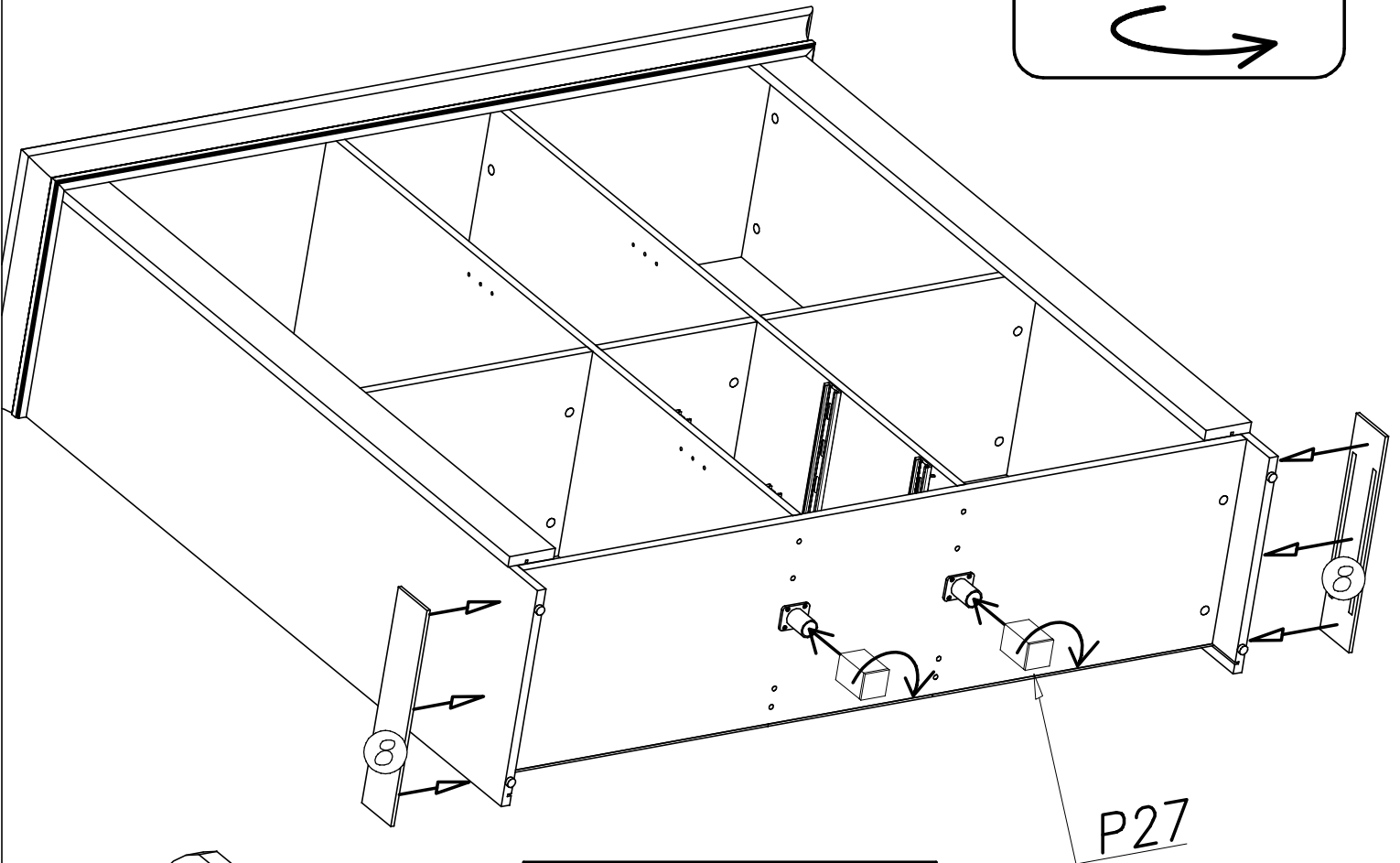
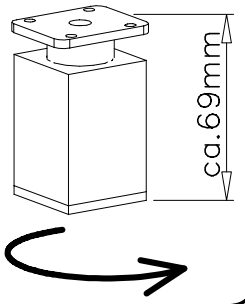
XVI

P27

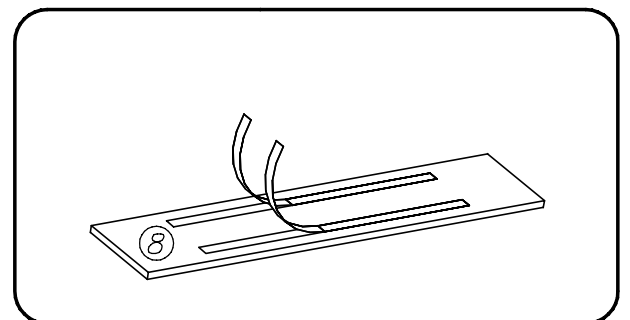
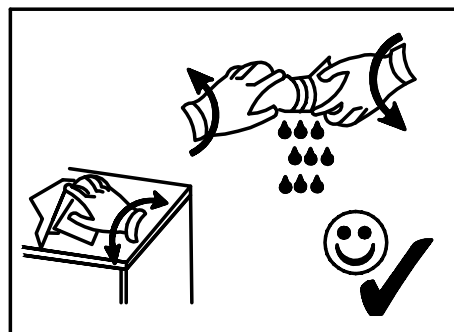
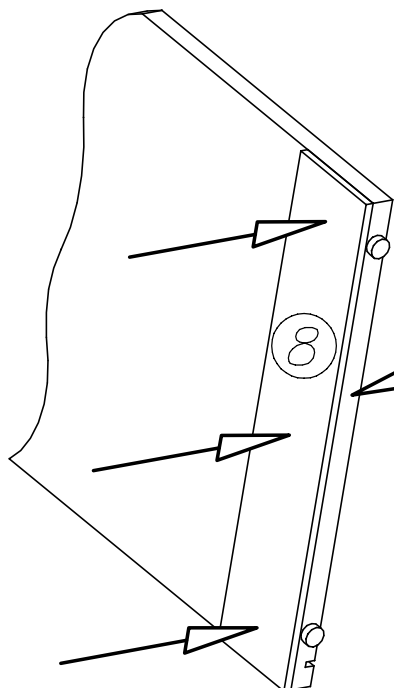


x2

P27



P27





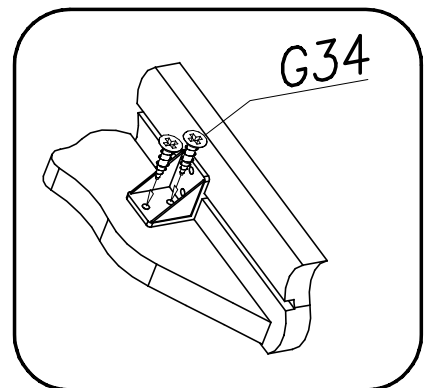
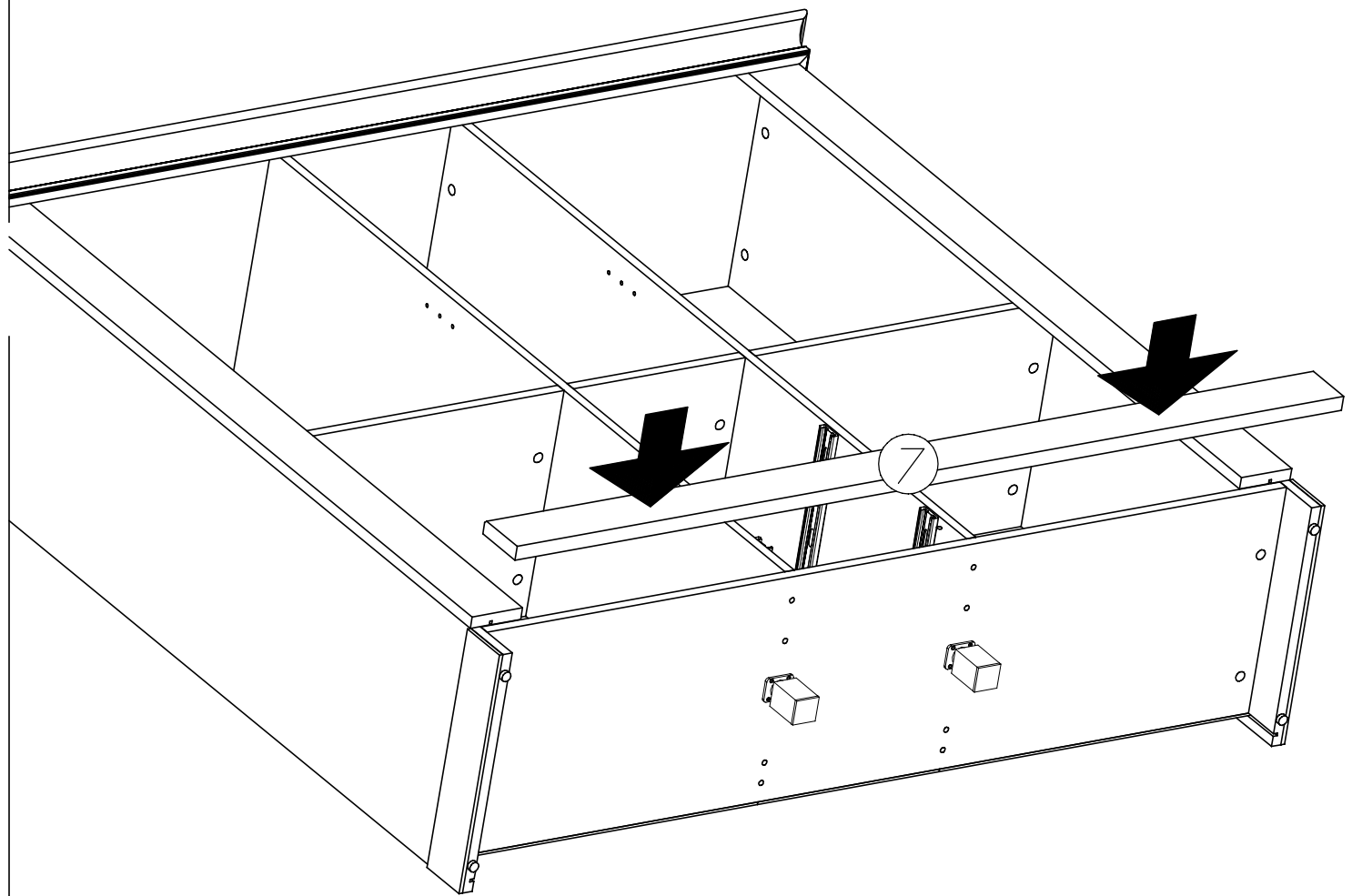
XVII

G34



3,5x16

x8





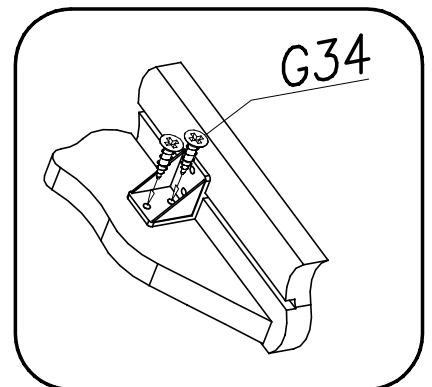
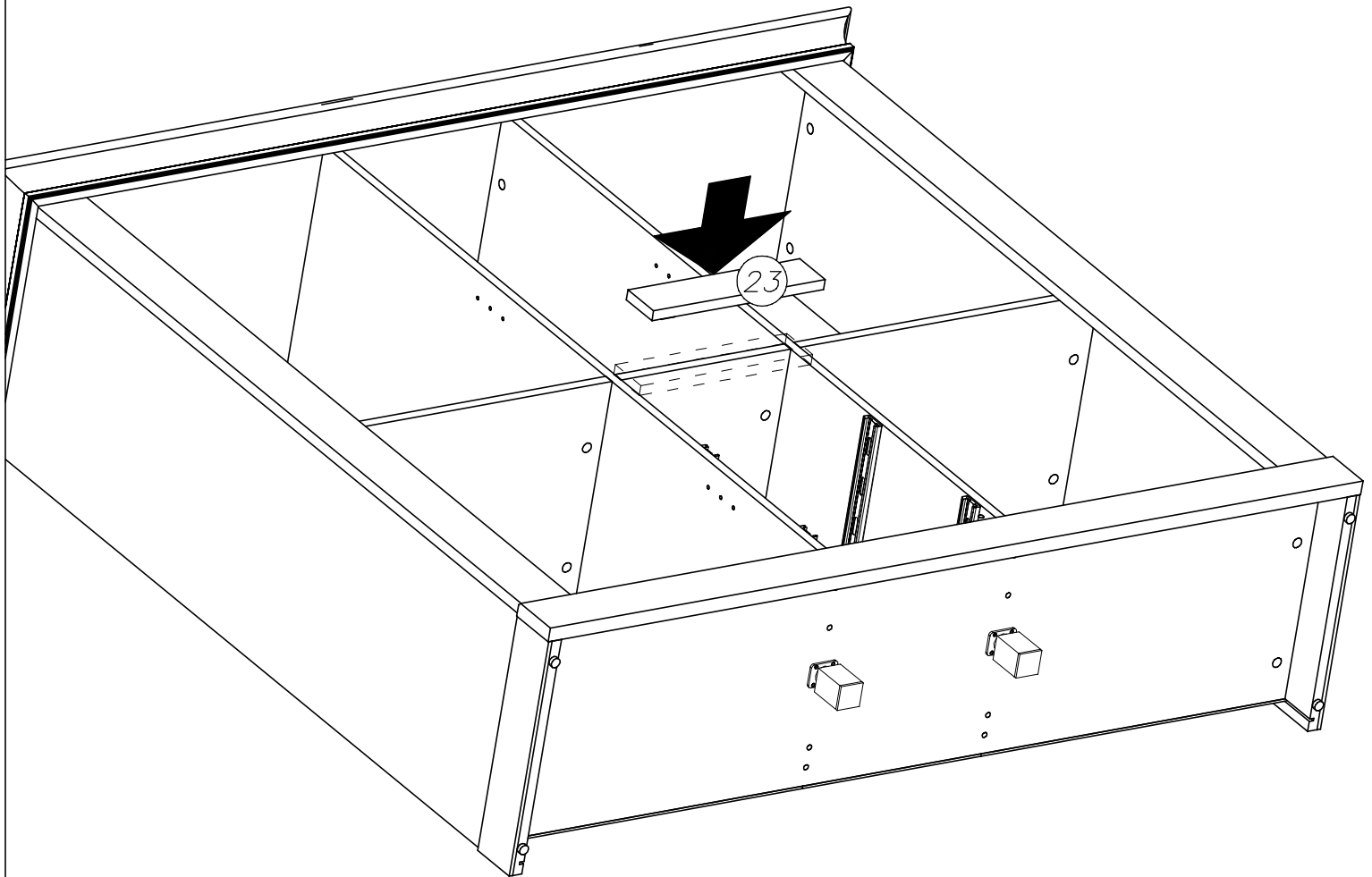
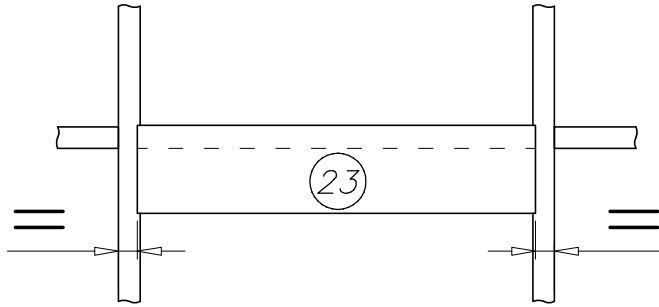
XVIII

G34



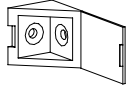
3,5x16

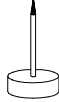
x4




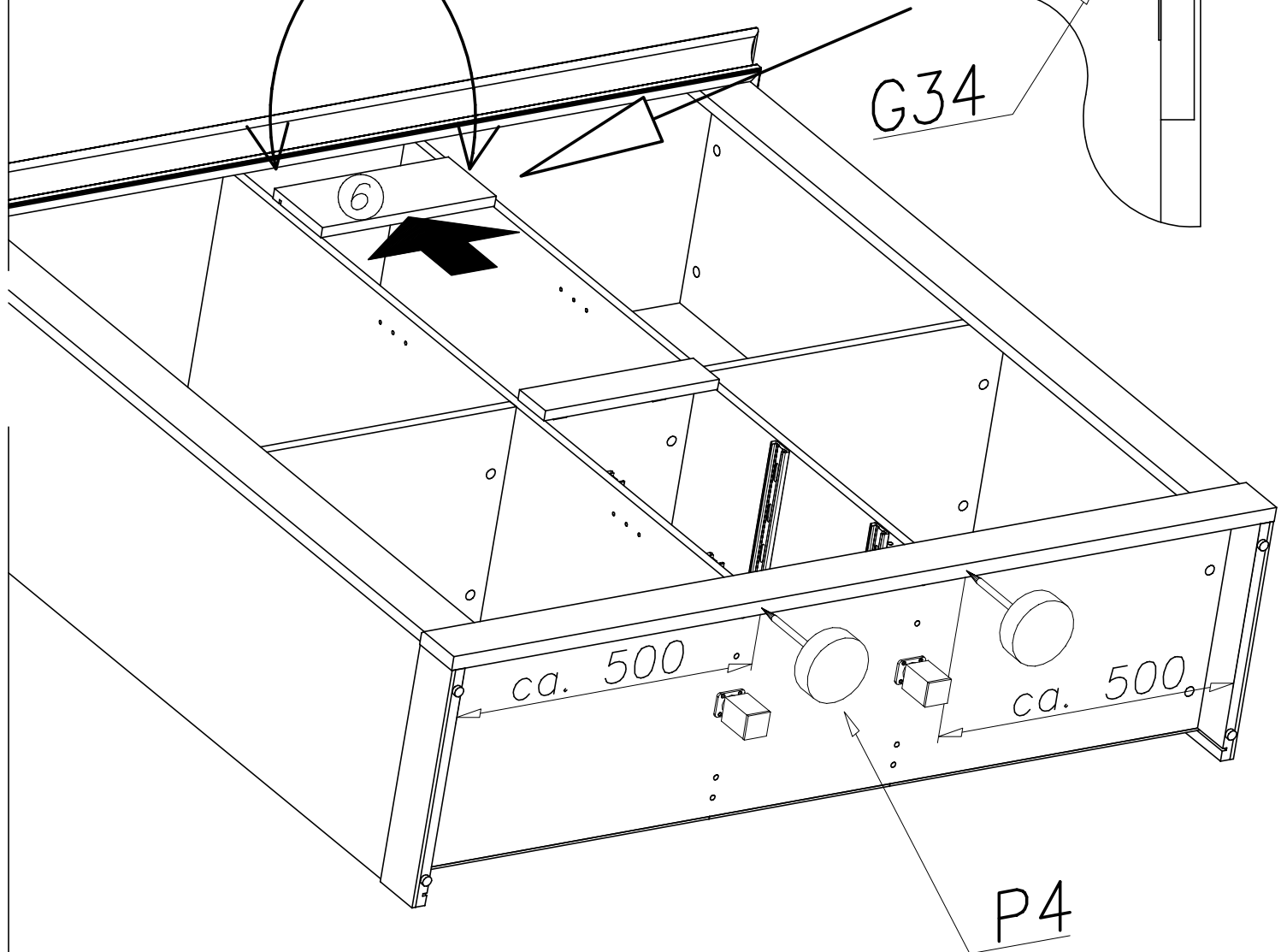
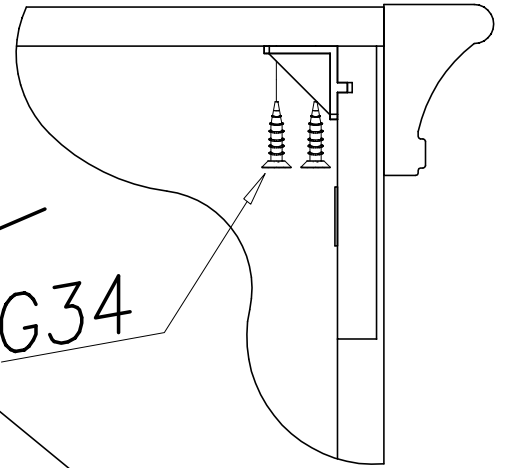
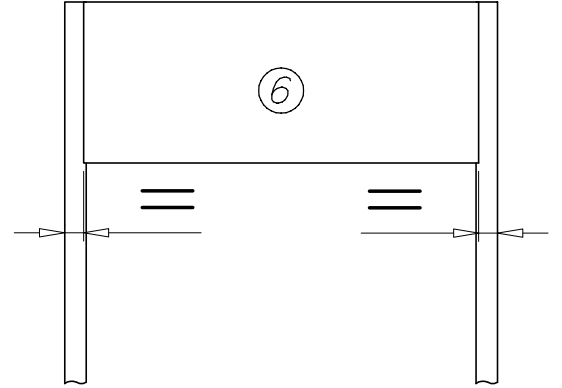
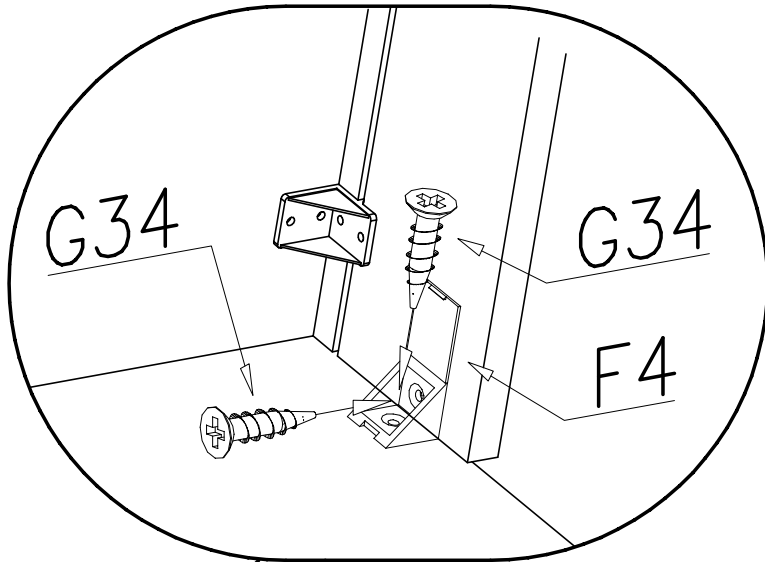


XIX

F4  x2

P4  x2

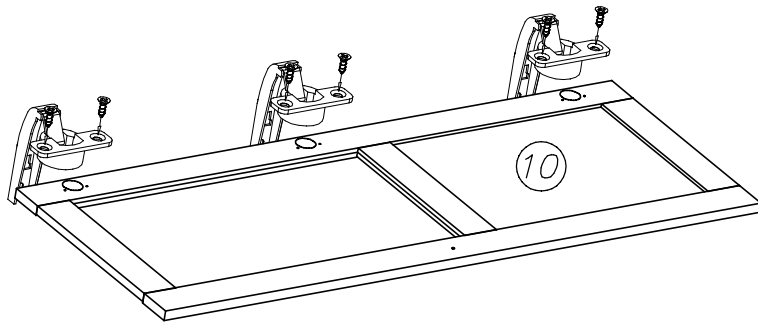
G34  3,5x16 x8







XX



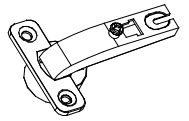
G34



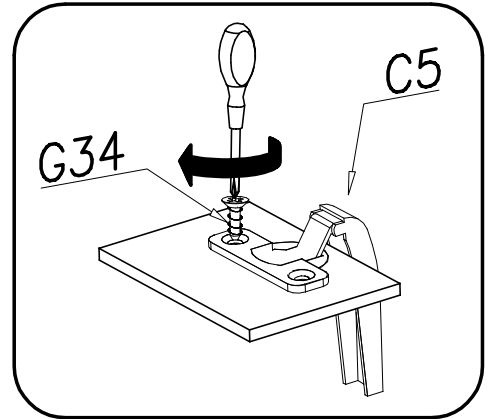
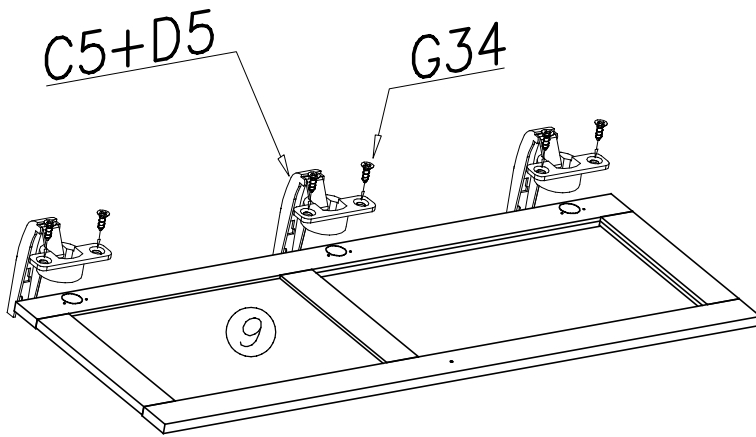
3,5x16

x12

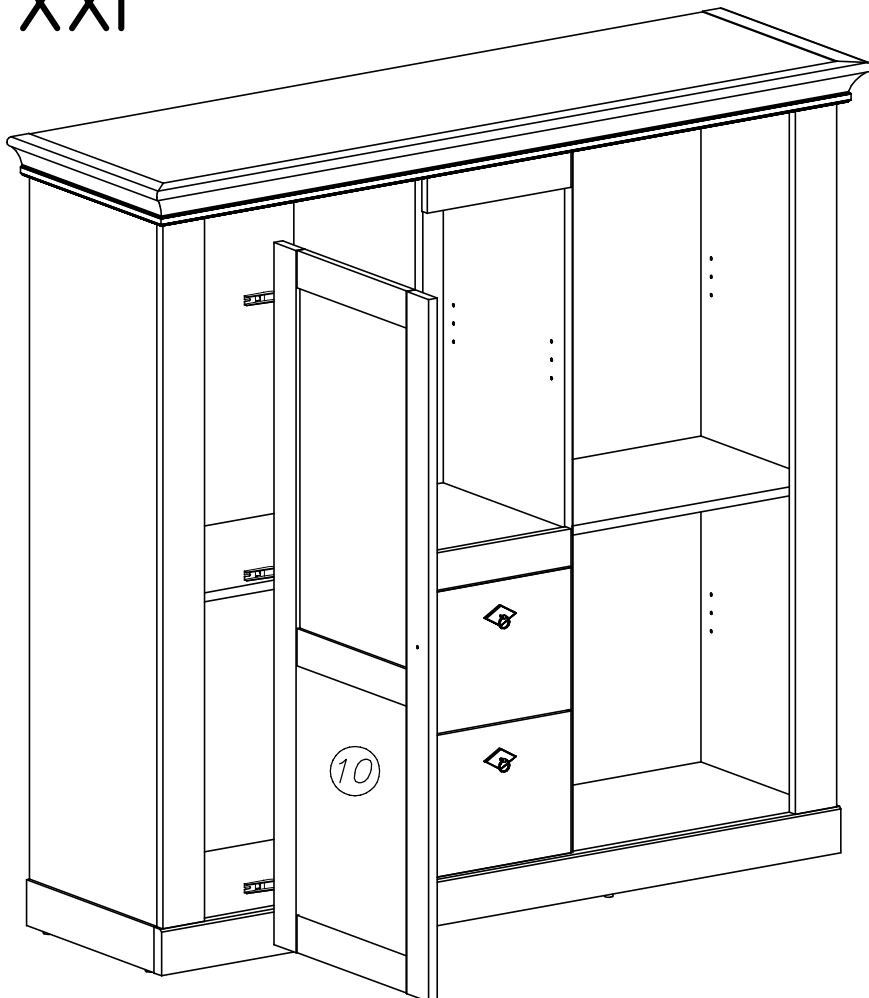
C5+D5



x6



XXI



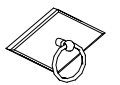
N15



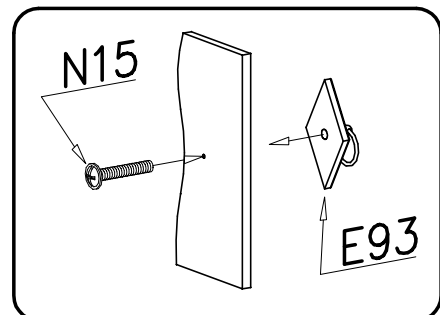
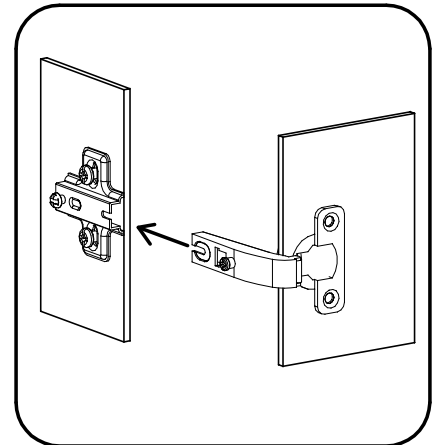
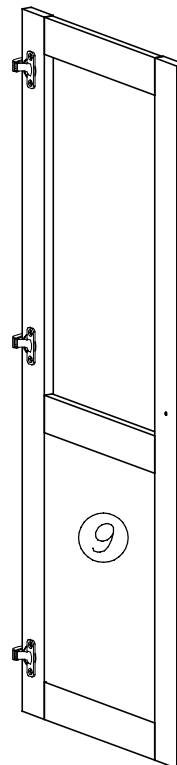
M4x25

x4

E93

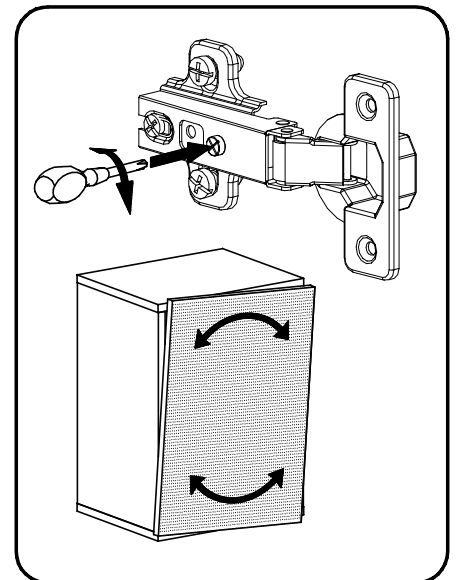
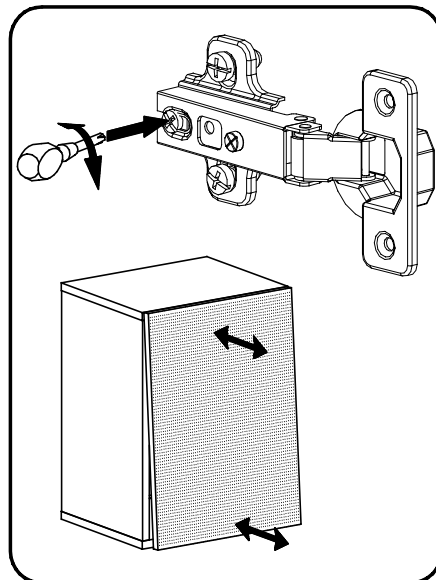
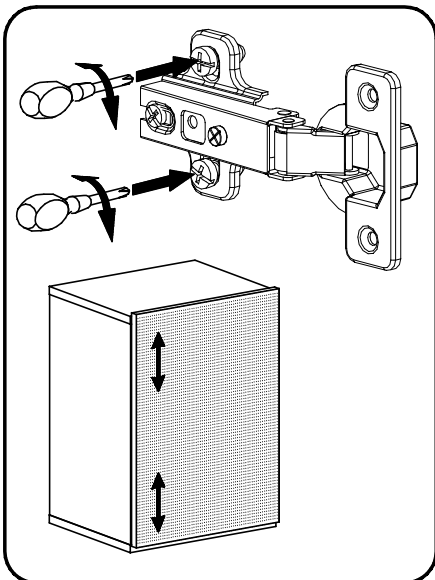
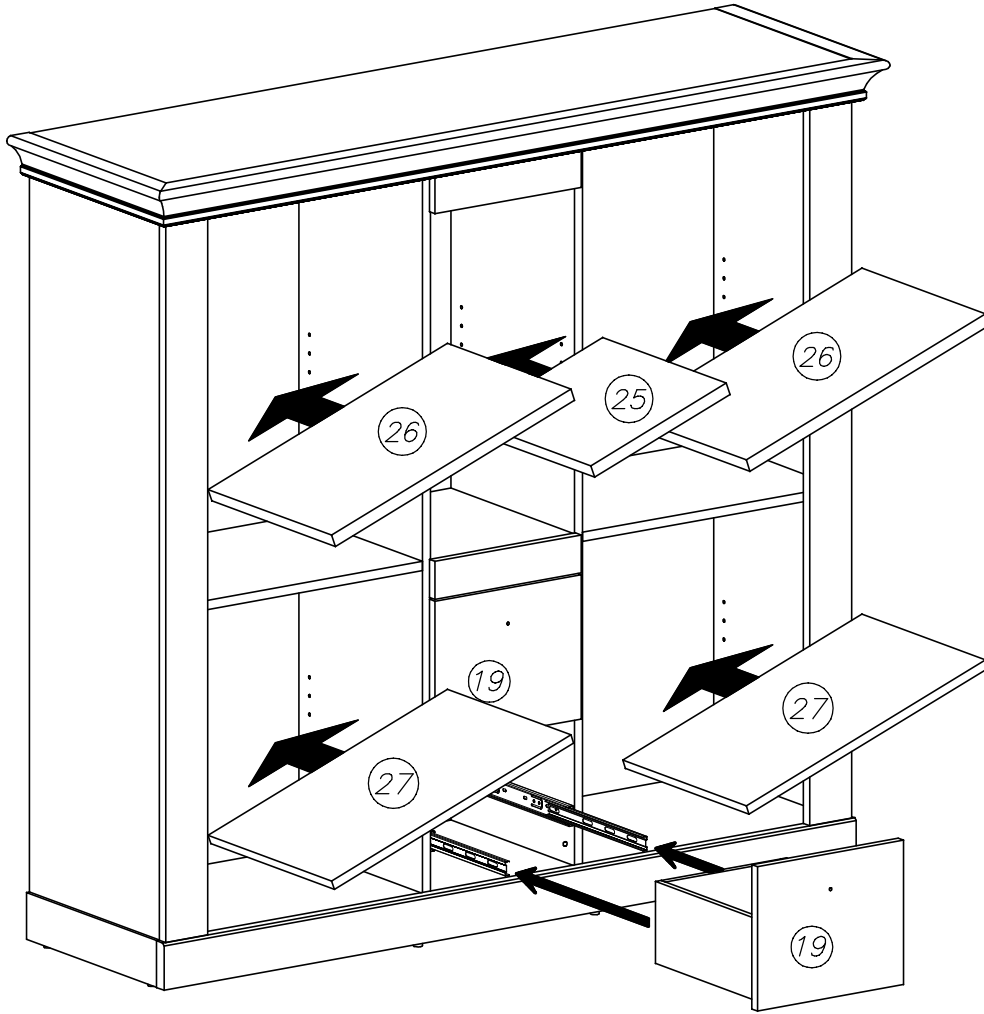


x4






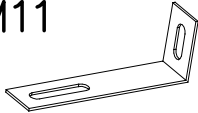
XXII






XXIII

17  x24  
ø18

M11  x1

G34  x2  
3,5x16

