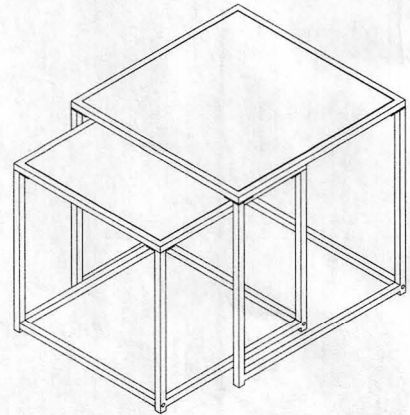
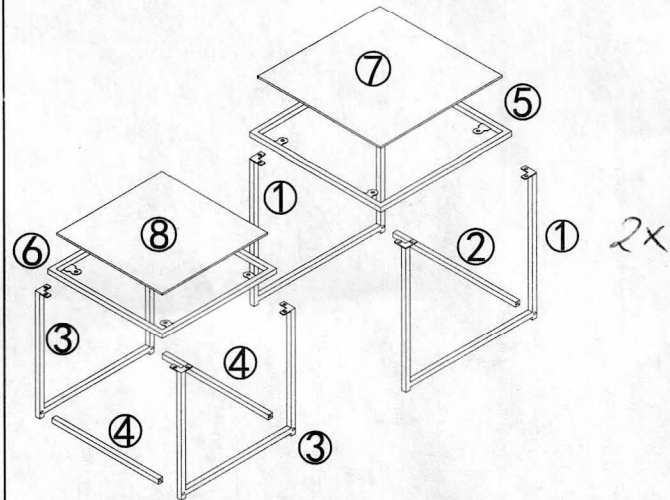
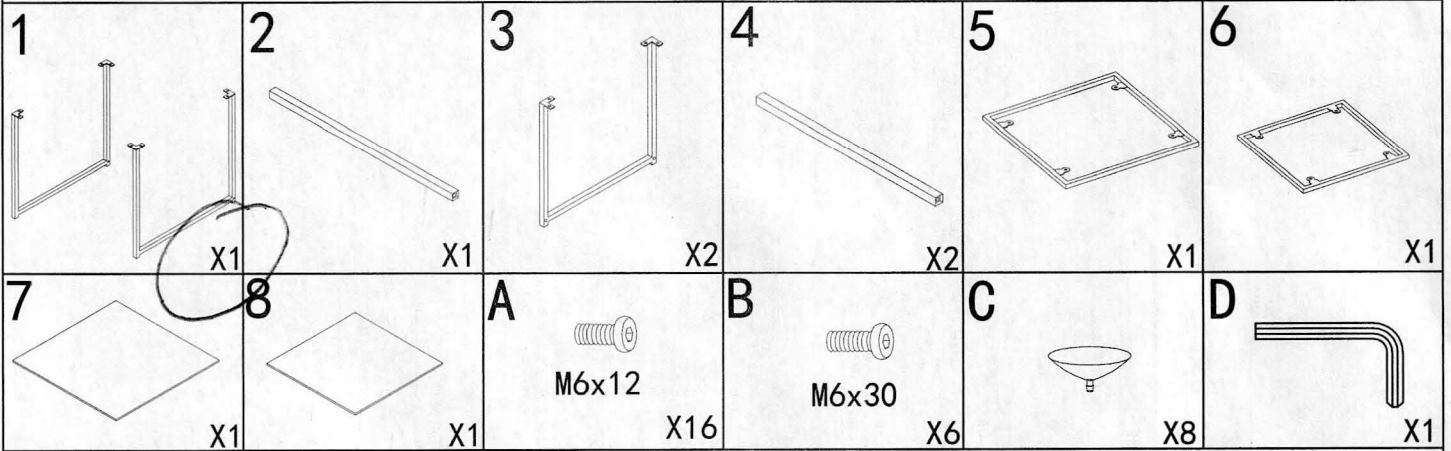
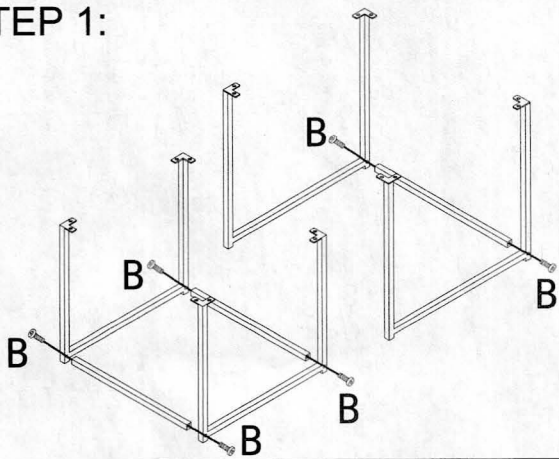


ASSEMBLY INSTRUCTIONS

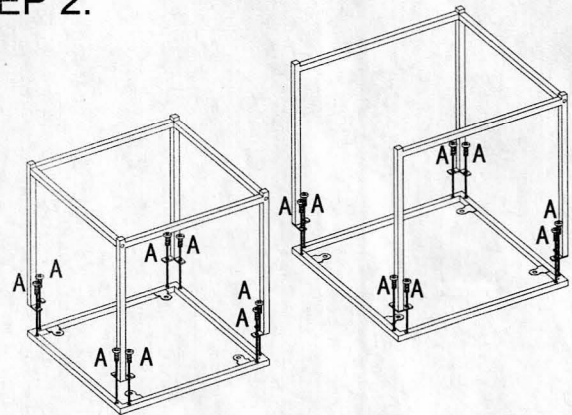
ITEM NO.: 25557



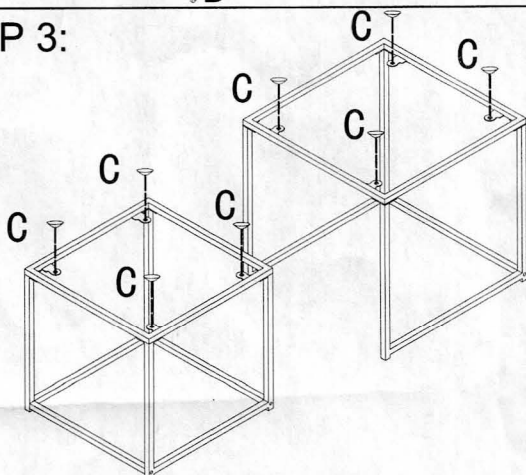
STEP 1:



STEP 2:



STEP 3:



STEP 4:

