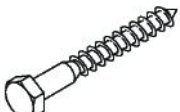

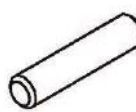
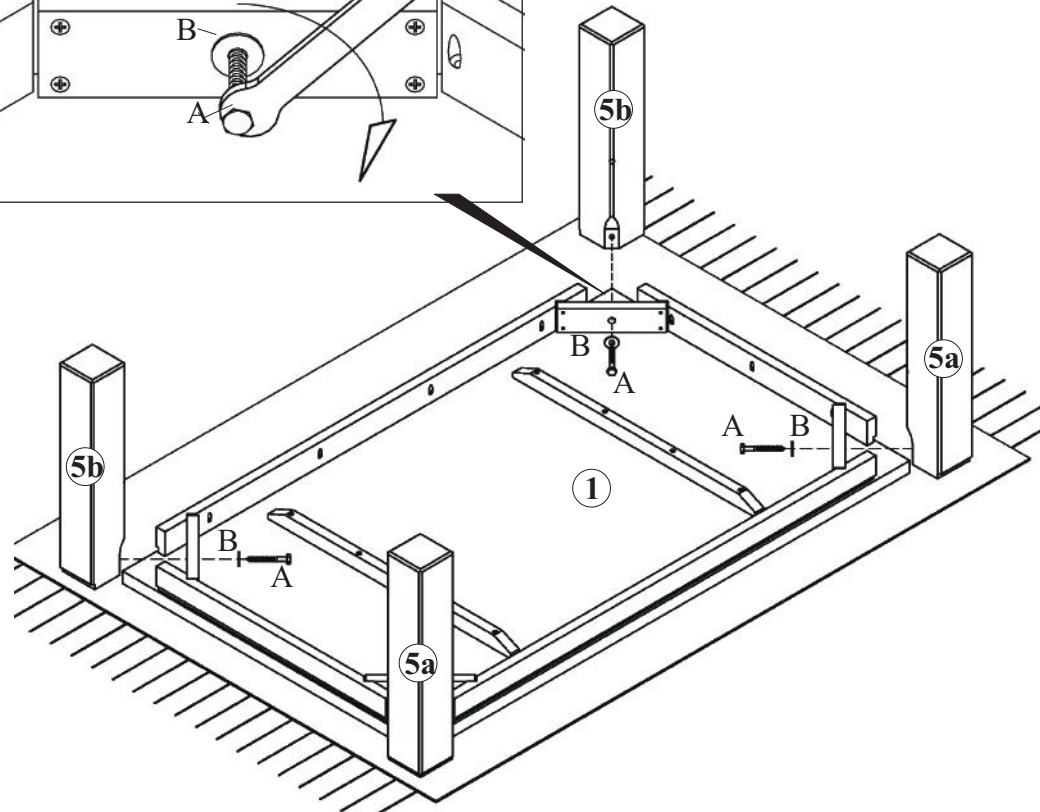
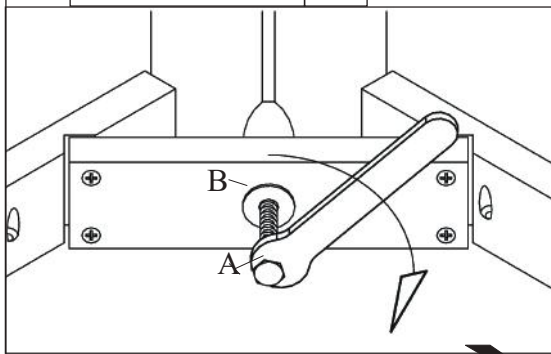


# MONTAGE INFORMATION "GORDON" 58721

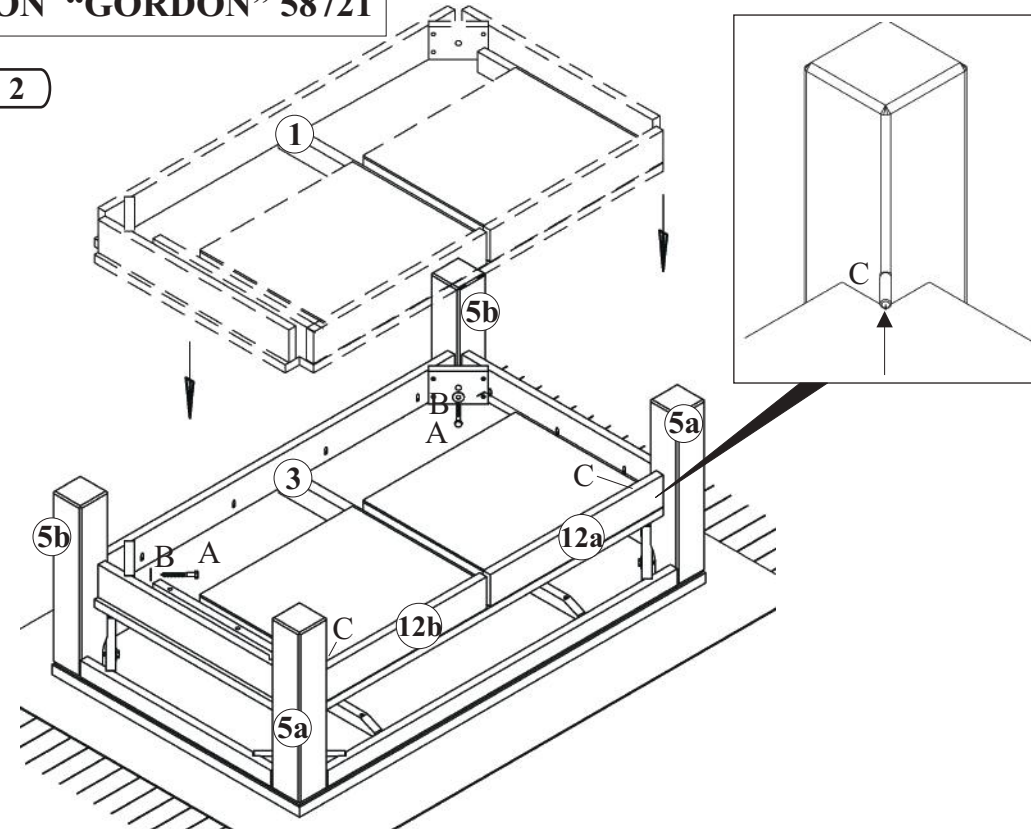
<b>A</b>		<b>B</b>		<b>C</b>	
$\Phi 8 \times 70$ mm	<b>Stk. 6</b>	M8	<b>Stk. 6</b>	$\Phi 8 \times 35$ mm	<b>Stk. 2</b>

5a+b	425x80x80	4x
1	1150x700x75	1x
3	1070x620x100	1x
12a+b	490x370x78	2x

1



2



3

