

Required Tool :

# Assembly Instruction



Wascher



Bolts



Nut Bolts



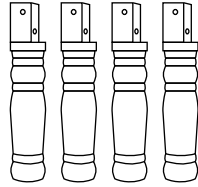
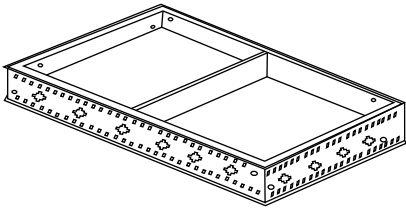
Spanner



Assembly requires two person

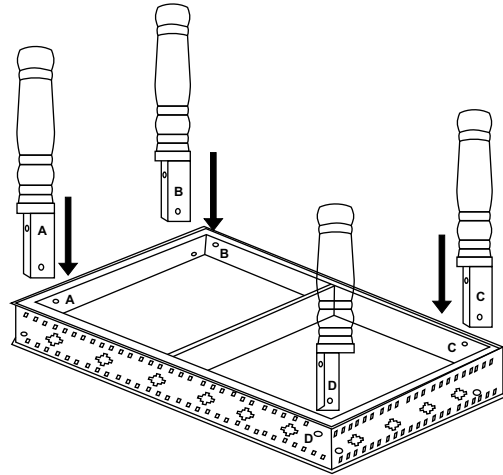
## PARTS

Seat

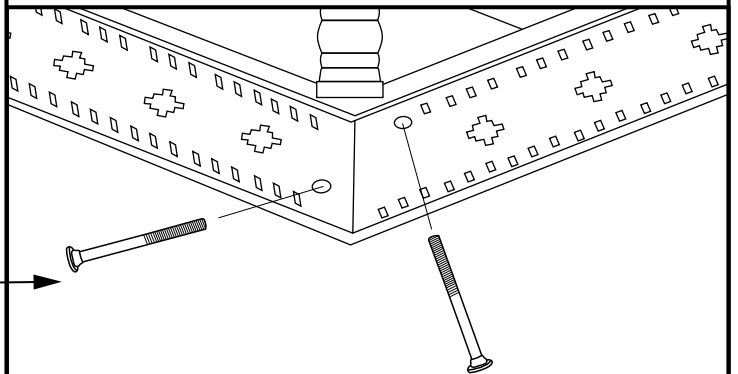
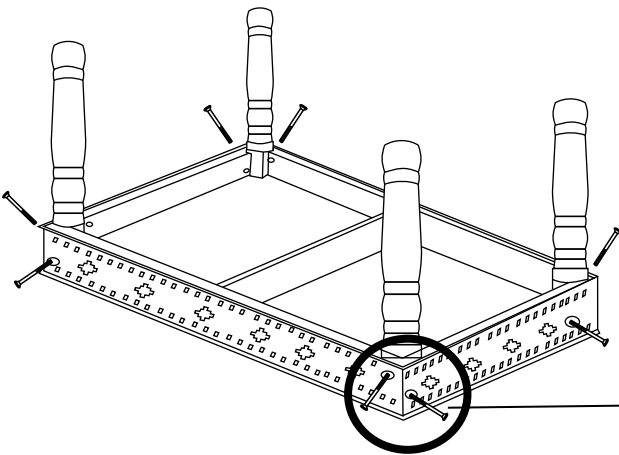


Leg

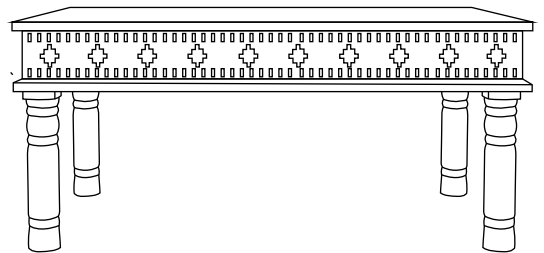
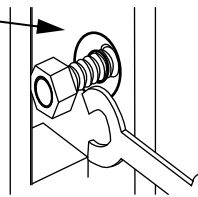
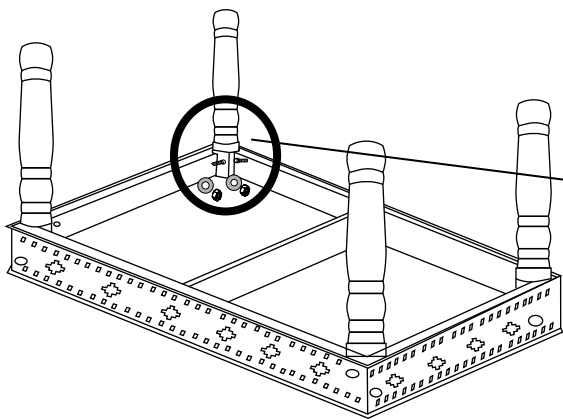
## Step - 1



## Step - 2



## Step - 3



Final