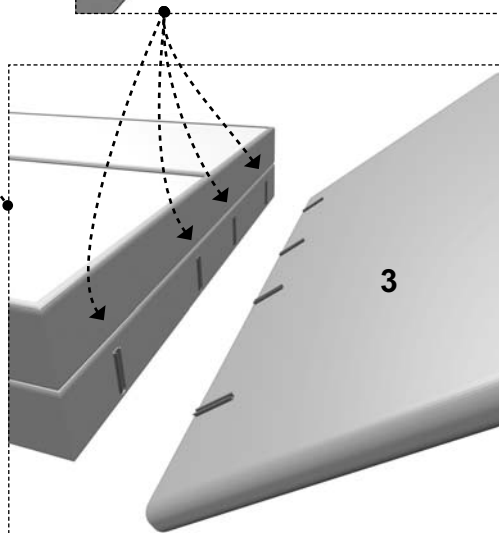
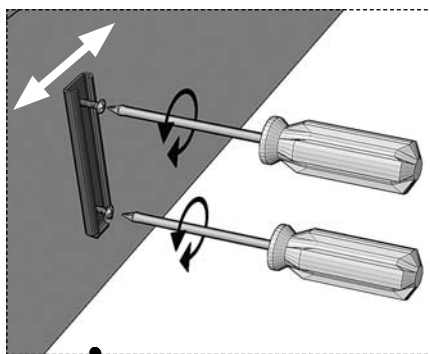
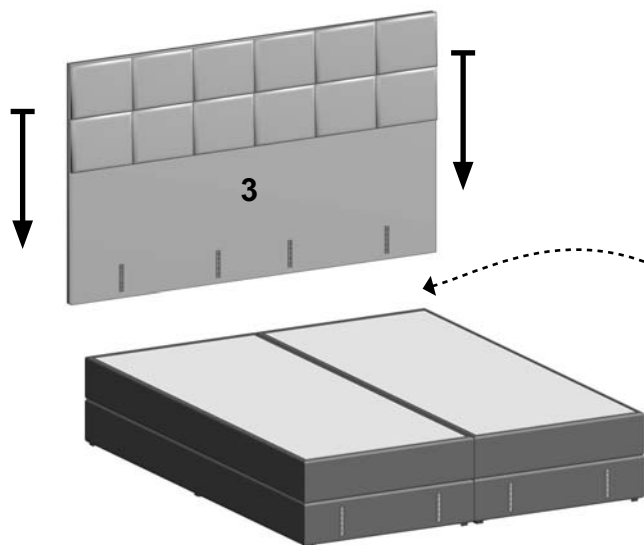
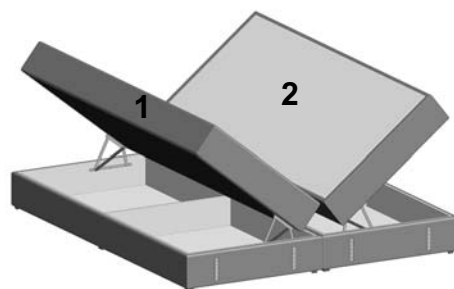
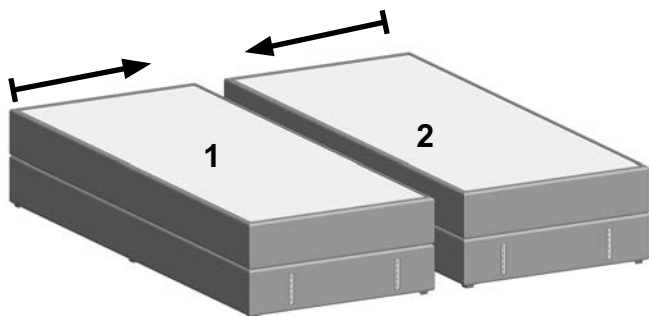
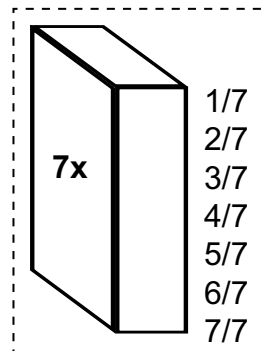
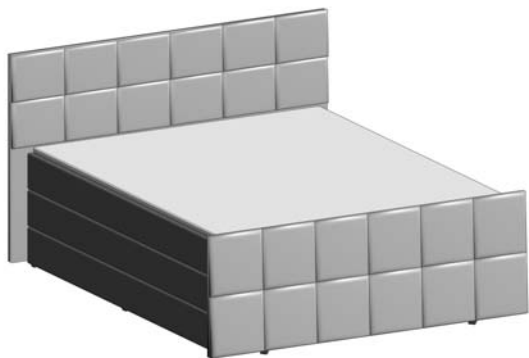


SACRAMENTO B1, B2, B3

20151222



HDPE LDPE



SACRAMENTO B1, B2, B3

20151222

