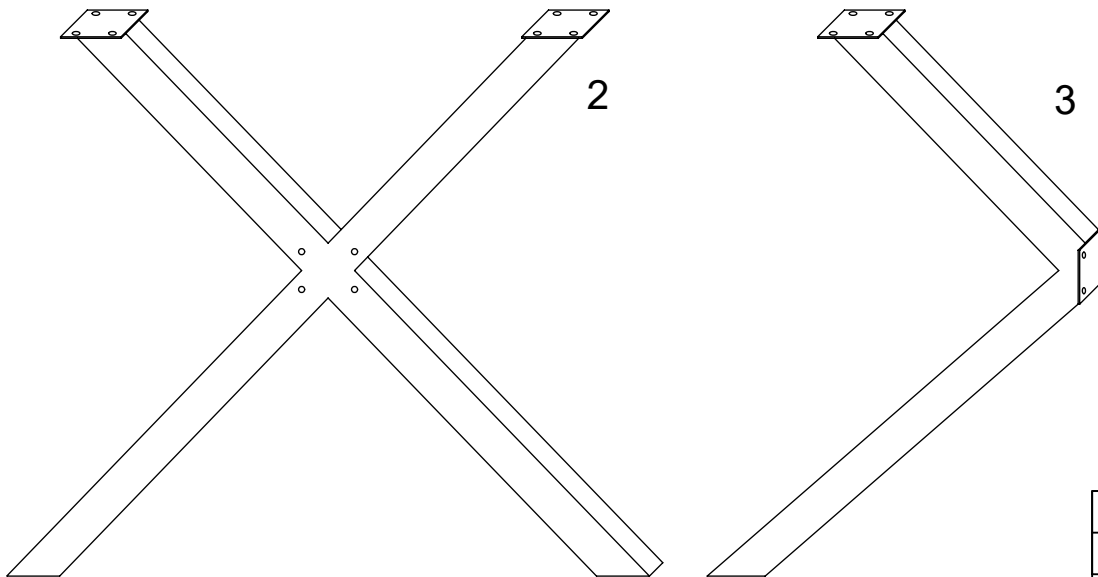
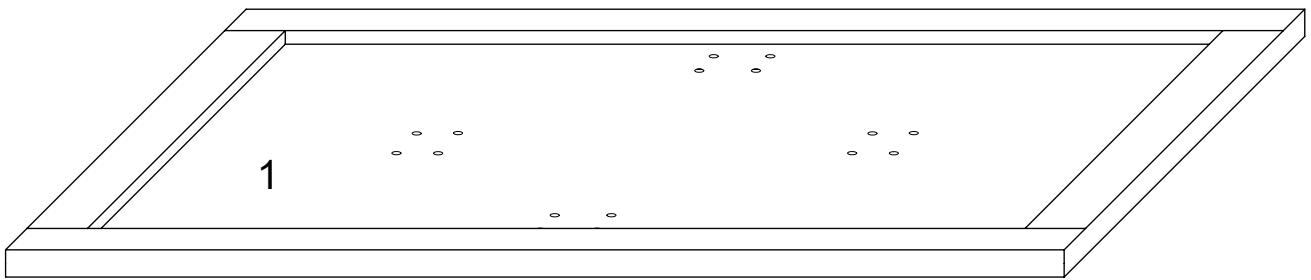
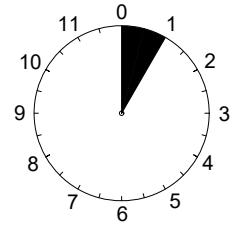
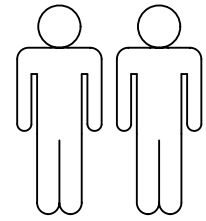
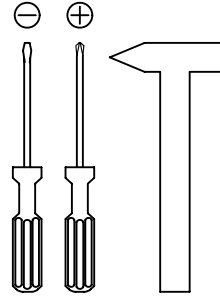
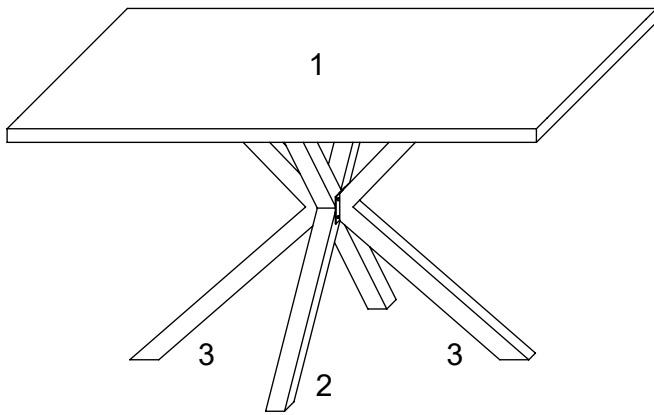


# "Cleo"

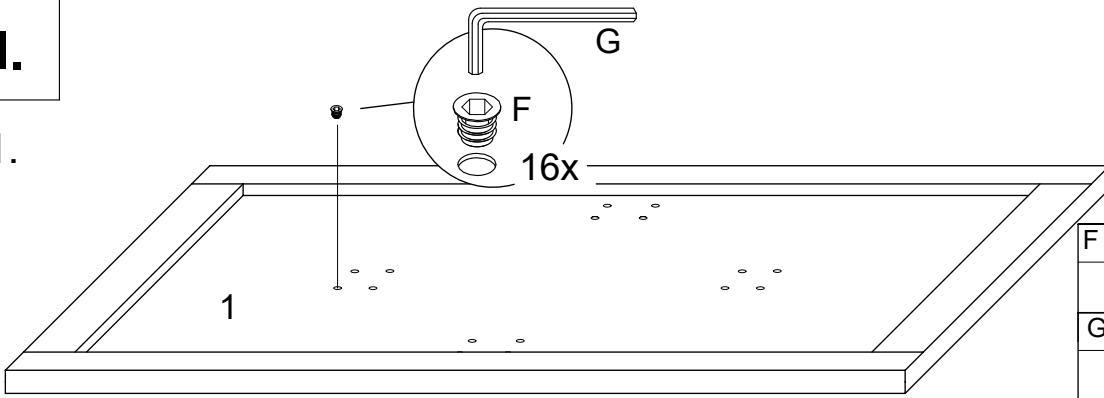







1	1x	1/2
2	1x	2/2
3	2x	2/2

<b>A</b>	M6x16  24x	<b>B</b>	D13*D6.5*1.5mm  8x	<b>C</b>	 4x	<b>D</b>	SW 4  1x	<b>E</b>	D18*D6.5*1.5mm  16x	<b>F</b>	M6 12x13  16x
<b>G</b>	SW 6  1x										

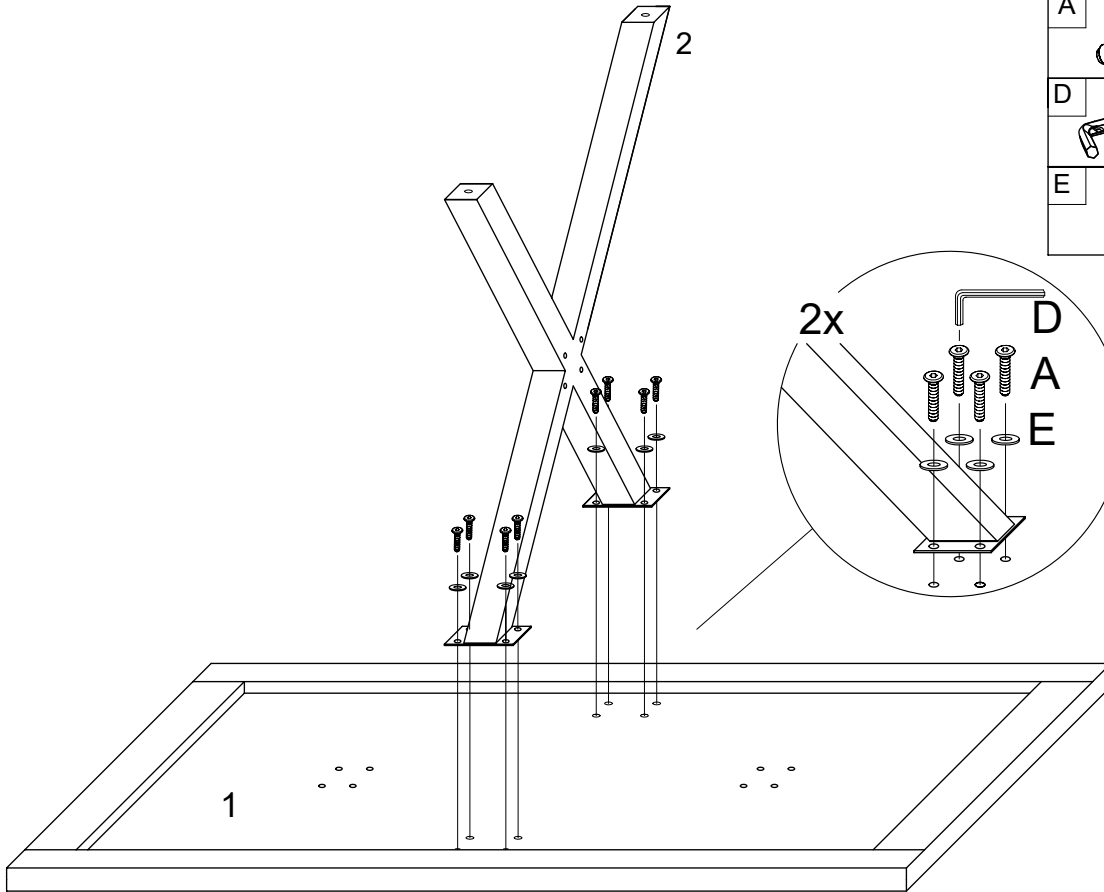
I.

1.

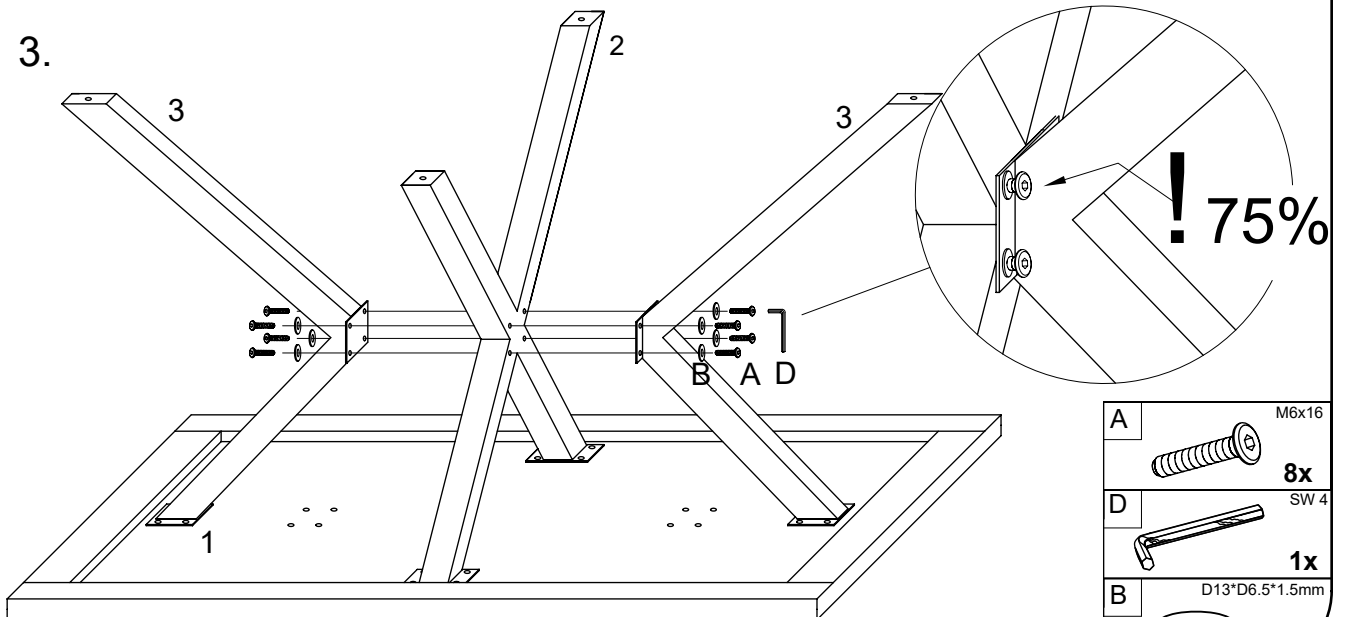


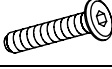


F	M6 12x13		<b>16x</b>
G	SW 6		<b>1x</b>
A	M6x16		<b>8x</b>
D	SW 4		<b>1x</b>
E	D18*D6.5*1.5mm		<b>8x</b>

2.

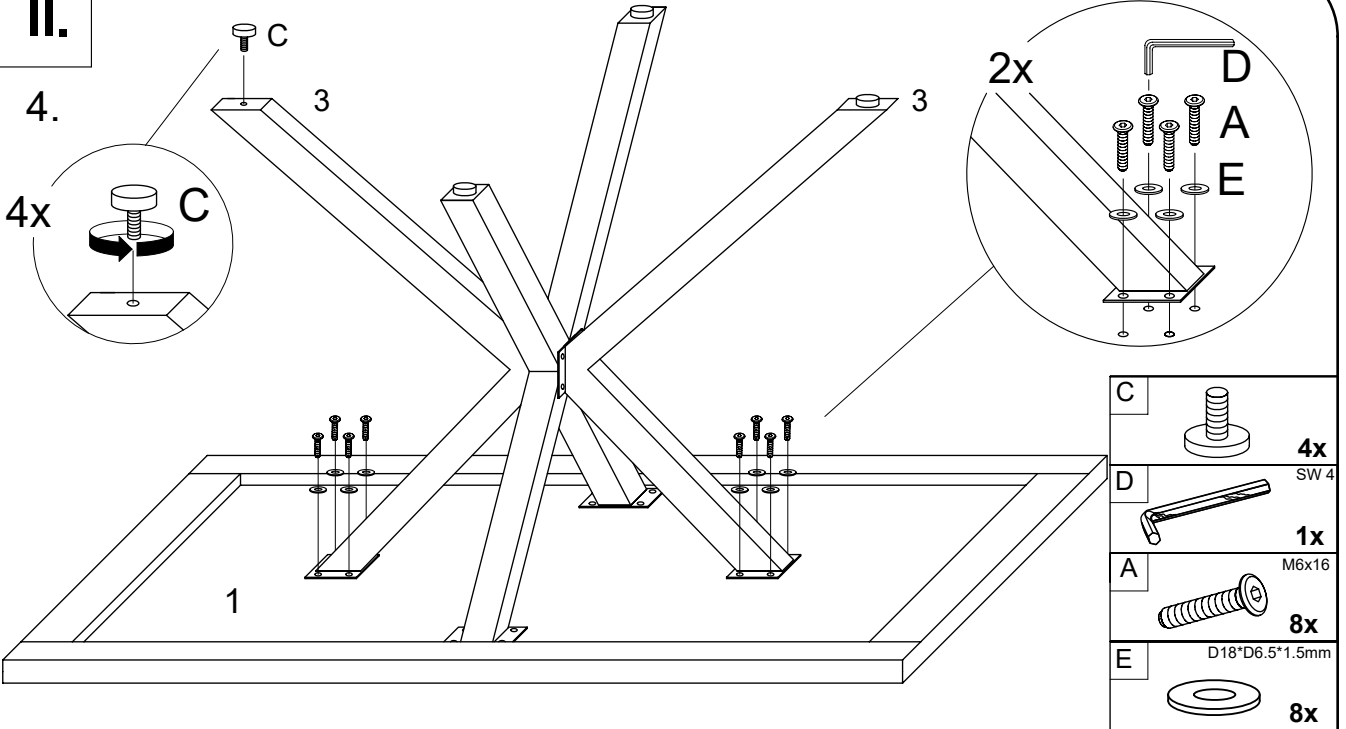


3.



A	M6x16		<b>8x</b>
D	SW 4		<b>1x</b>
B	D13*D6.5*1.5mm		<b>8x</b>

II.



5.

