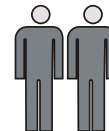
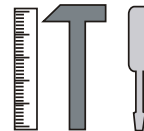
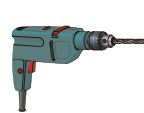
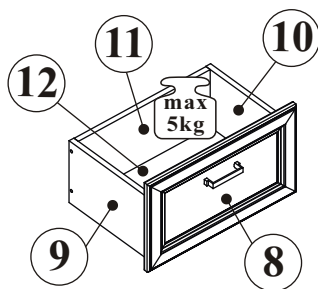
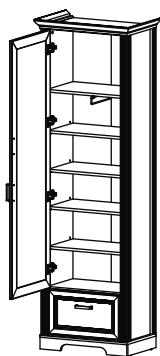
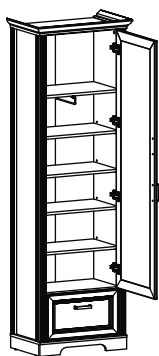
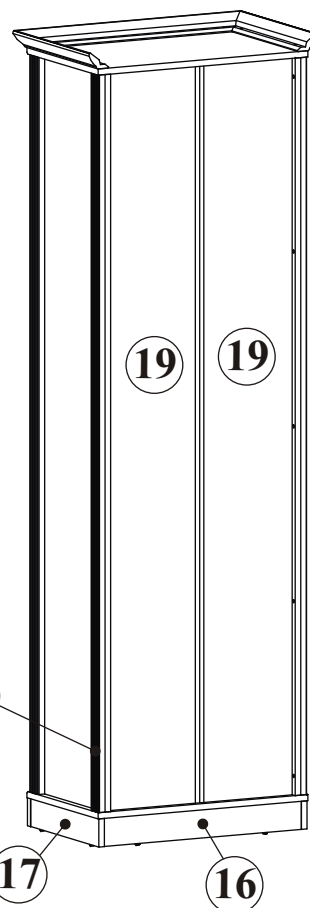
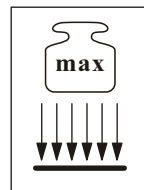
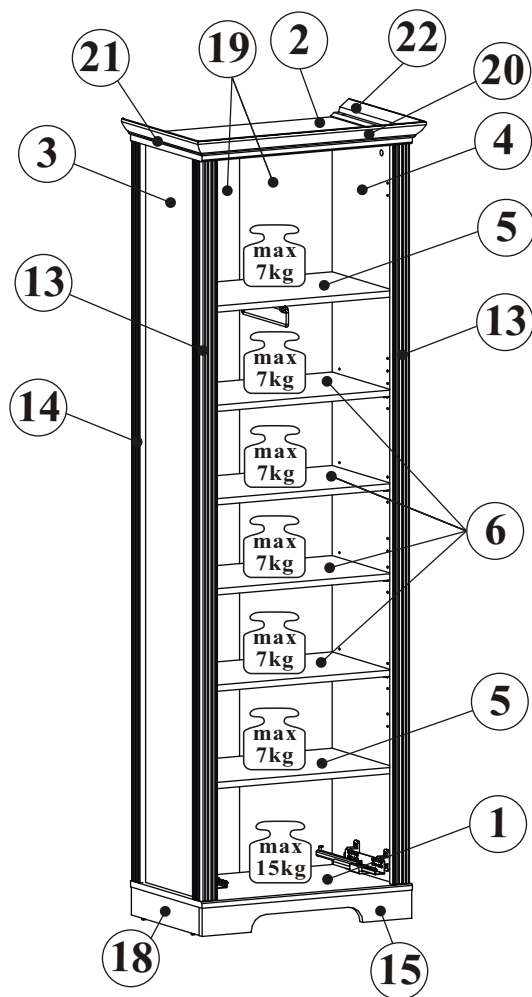
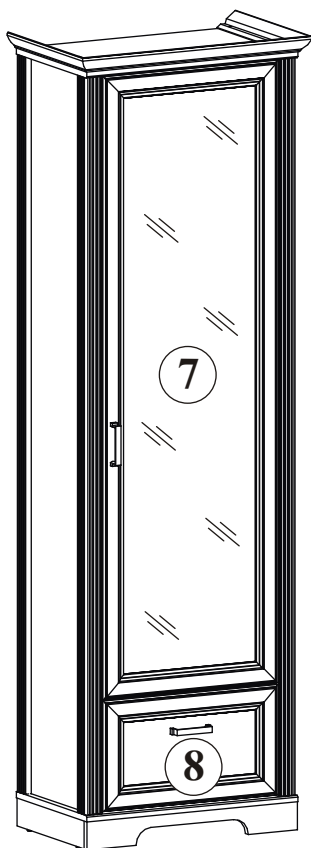


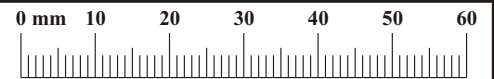
# JASMIN 30B1\_01

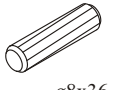
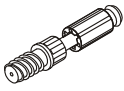





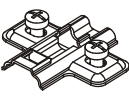







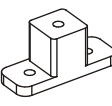

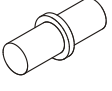
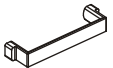


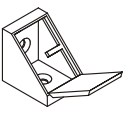

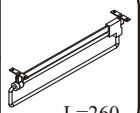

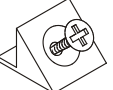
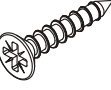
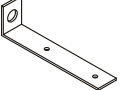
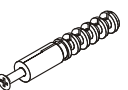



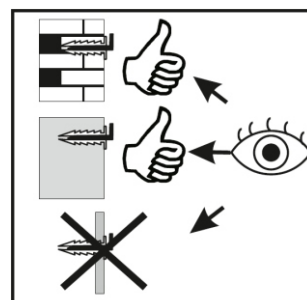
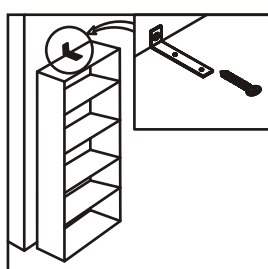
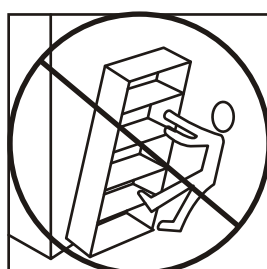
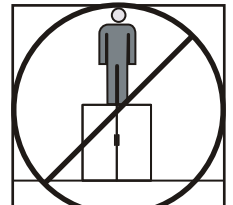
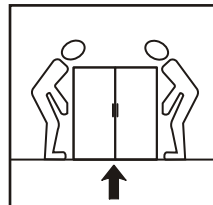
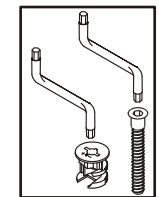
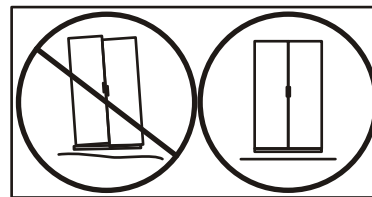
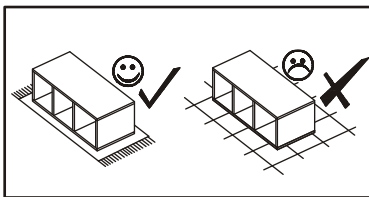
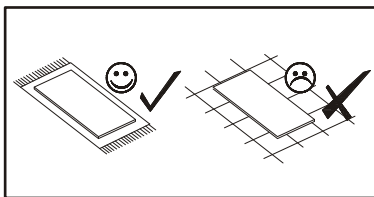
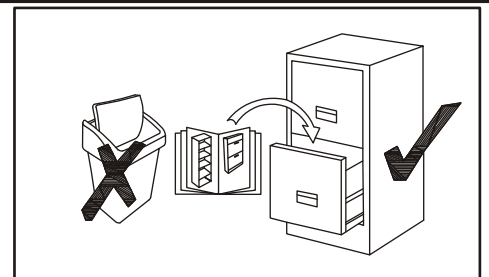
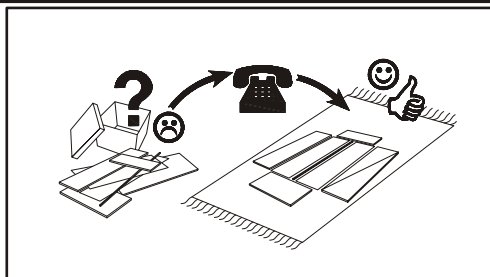
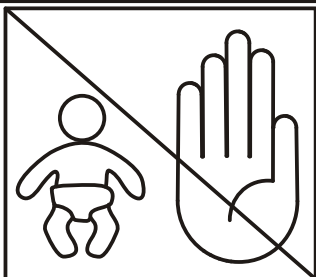
120 min

NO	Dim.		Col.-No	Qty
1	602	380	1	1
2	602	380	2	1
3	1890	353	2	1
4	1890	353	2	1
5	530	333	1	2
6	530	318	1	4
7	1596	496	1	1
8	496	283	1	1
9	300	200	1	1
10	300	200	1	1
11	440	186	1	1

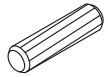
NO	Dim.		Col.-No	Qty
12	304	452	1	1
13	1890	49	2	2
14	1890	43	2	2
15	600	72	2	1
16	566	72	2	1
17	363	72	2	1
18	363	72	2	1
19	1902	271	2	2
20	655	67	1	1
21	406	67	1	1
22	406	67	1	1




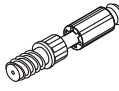
A1 x32  ø8x36	B4 x30 	B5 x30  ø15x12	G5 x30 	B11 x4  Ø7x50	B14 x20  Ø7x30
E17 x4  H=16	E13 x4 	E0 x4  H=11	EK8 x8  EKØ6,3x24	Z2 x10  Ø5	G4 x24 
QU x1  L-300	D20 x4  ESØ6,3x9,5	D10 x12  USØ3,5x13	H1 x4 	EK6 x8  EKØ6,3x13	G7 x16 
C19 x2 	D34 x2  M4x16	D4 x2  M4x30	KM1 x1 	UP13 x16  UPØ3x16	C6 x1  L=260
I2 x5 	S1 x19 	D9 x7  USØ3x20	L1 x1 	KR1 x1 	G2 x1 

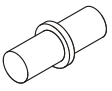


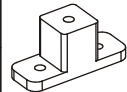
1

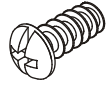
A1	
x8	ø8x36

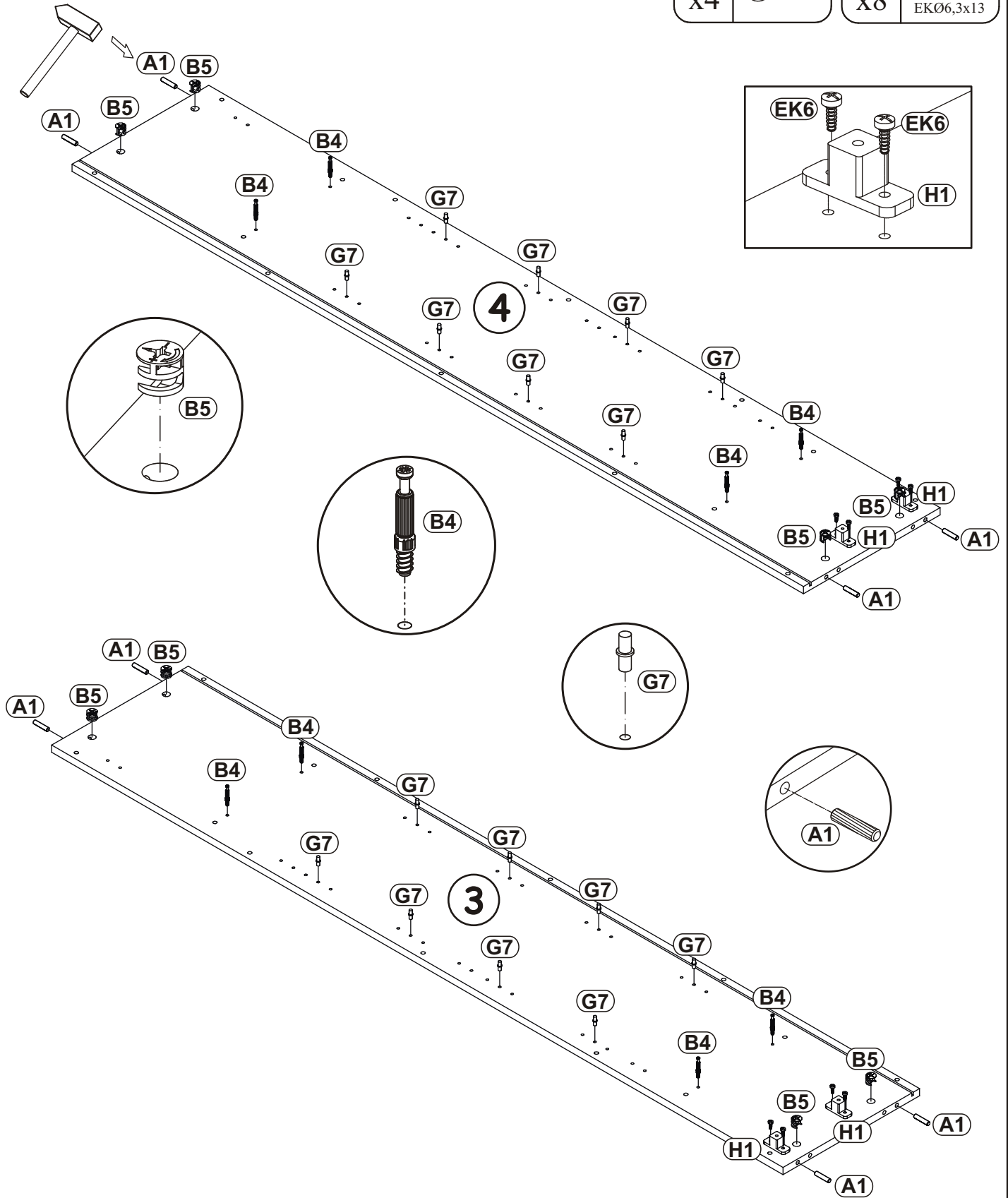
B5	
x8	ø15x12

B4	
x8	

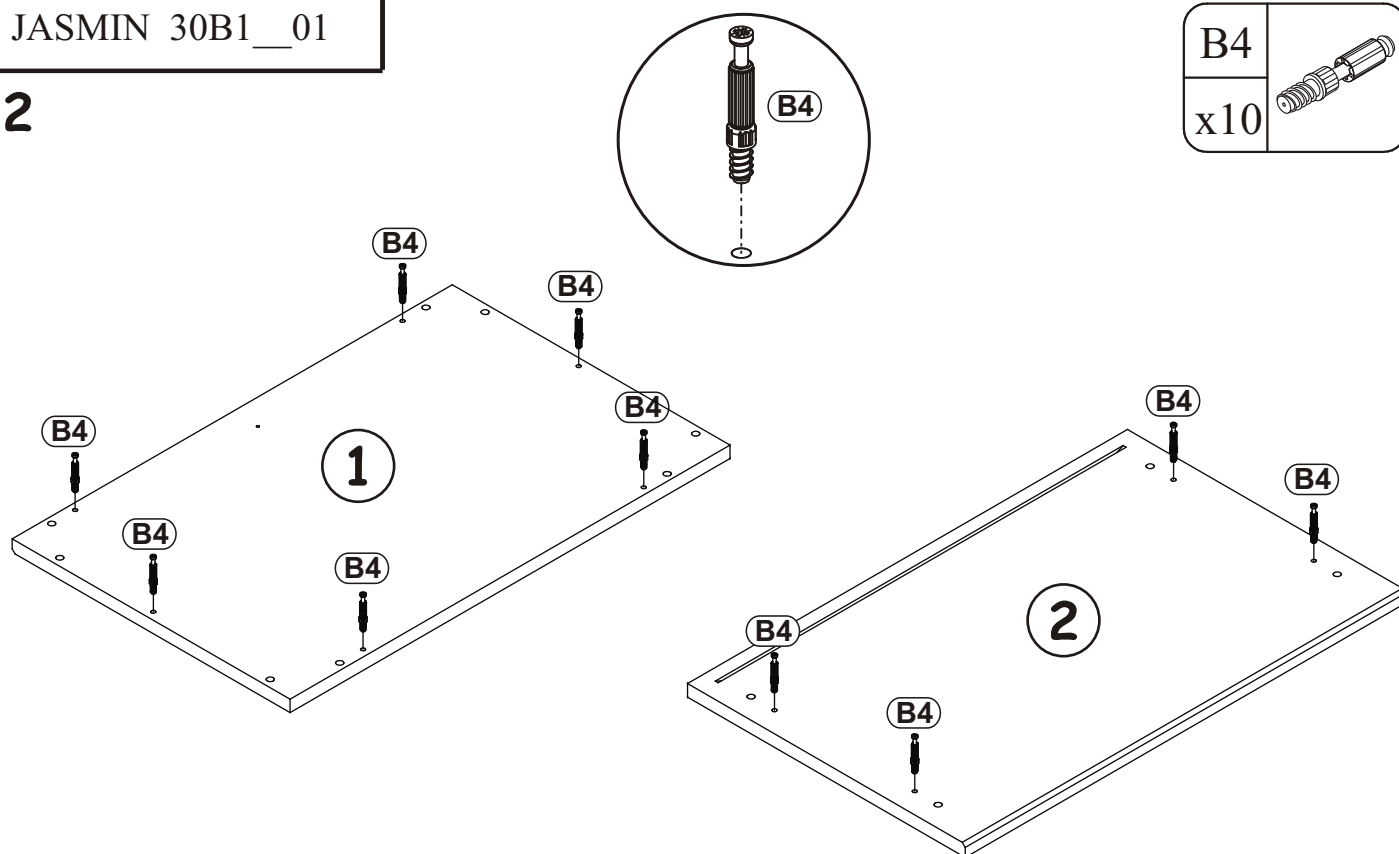
G7	
x16	

H1	
x4	

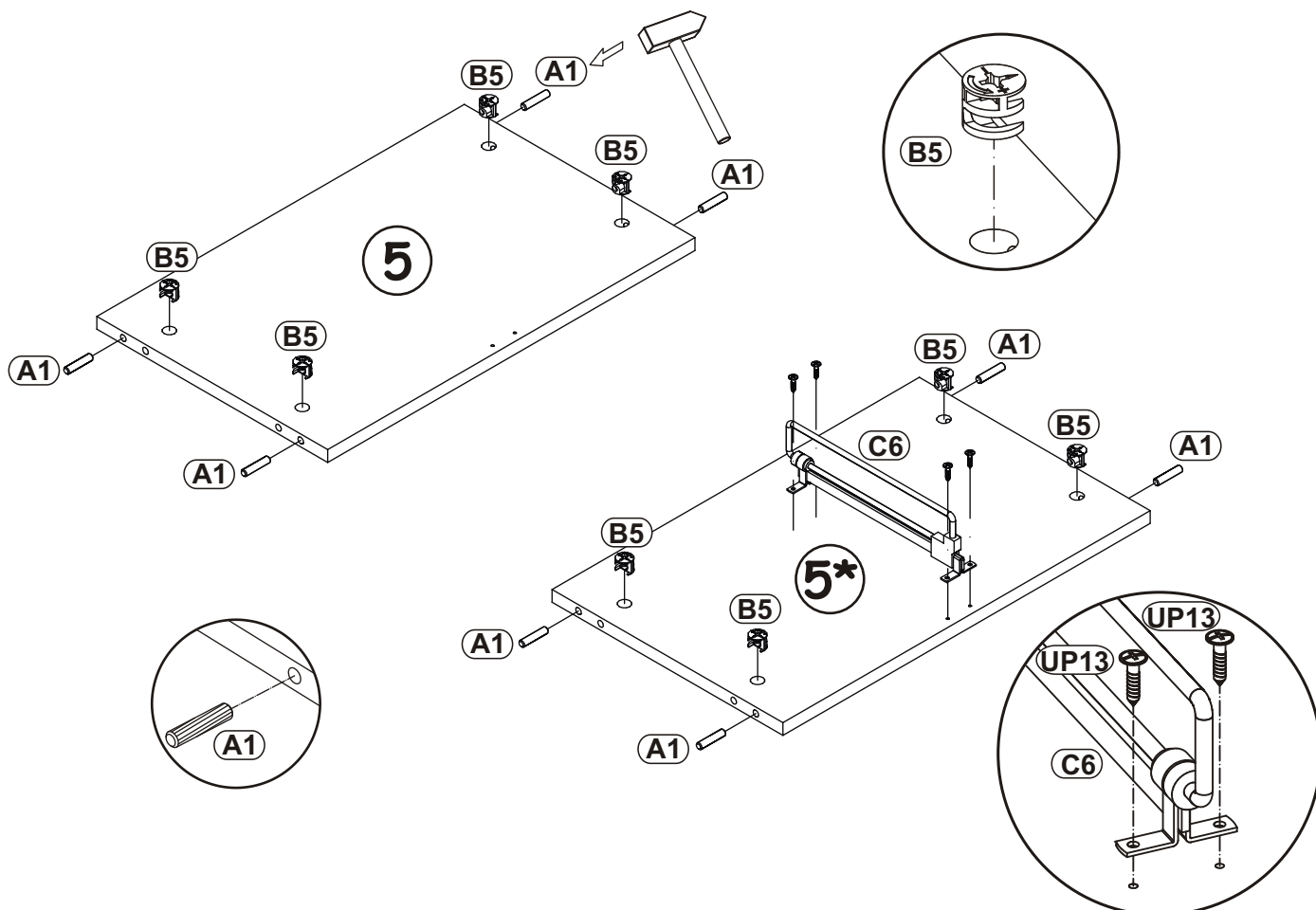
EK6	
x8	EK06,3x13



2

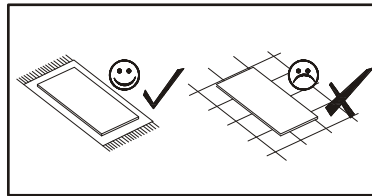


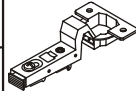
3

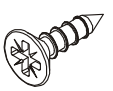


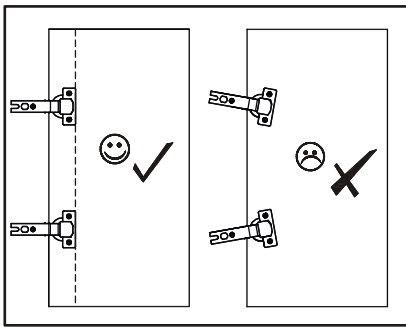
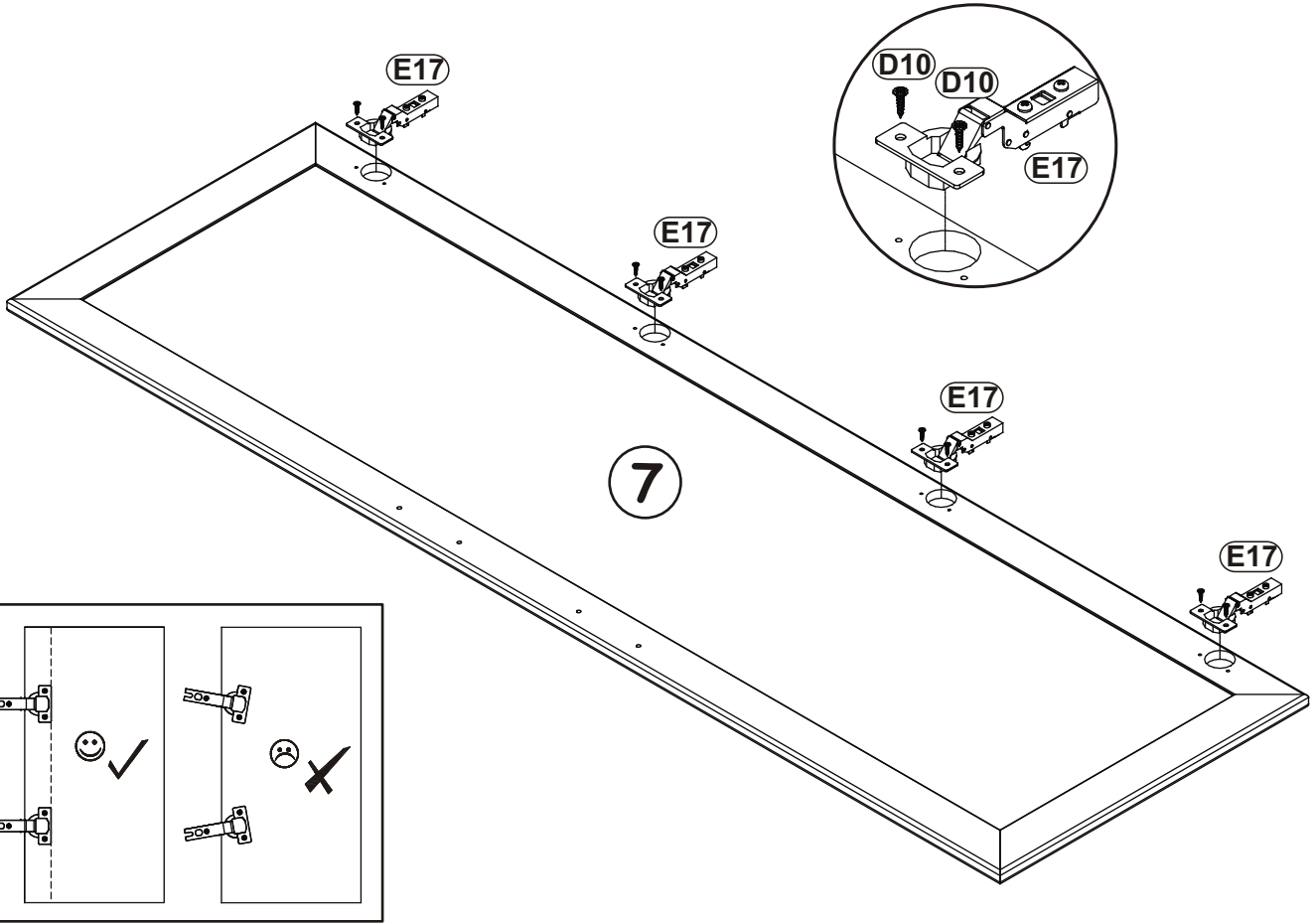


4

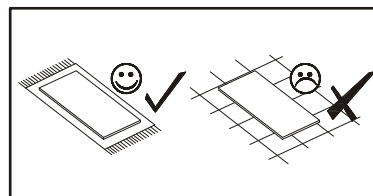


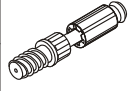
E17	
x4	H=16

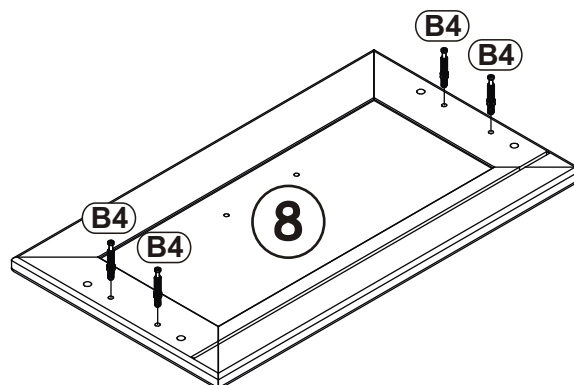
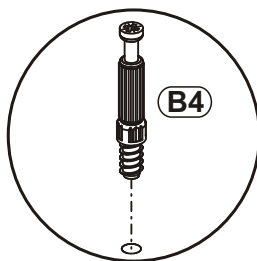
D10	
x8	USØ3,5x13



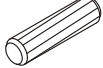
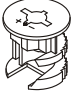
5

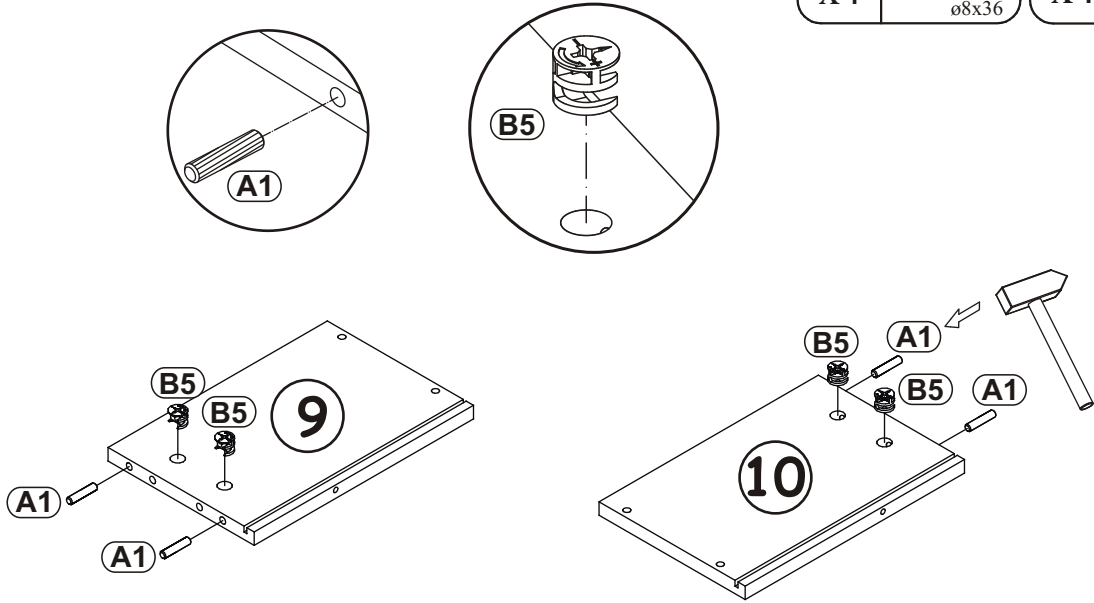


B4	
x4	

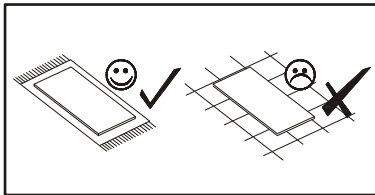


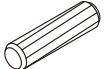
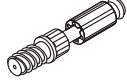
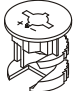
6

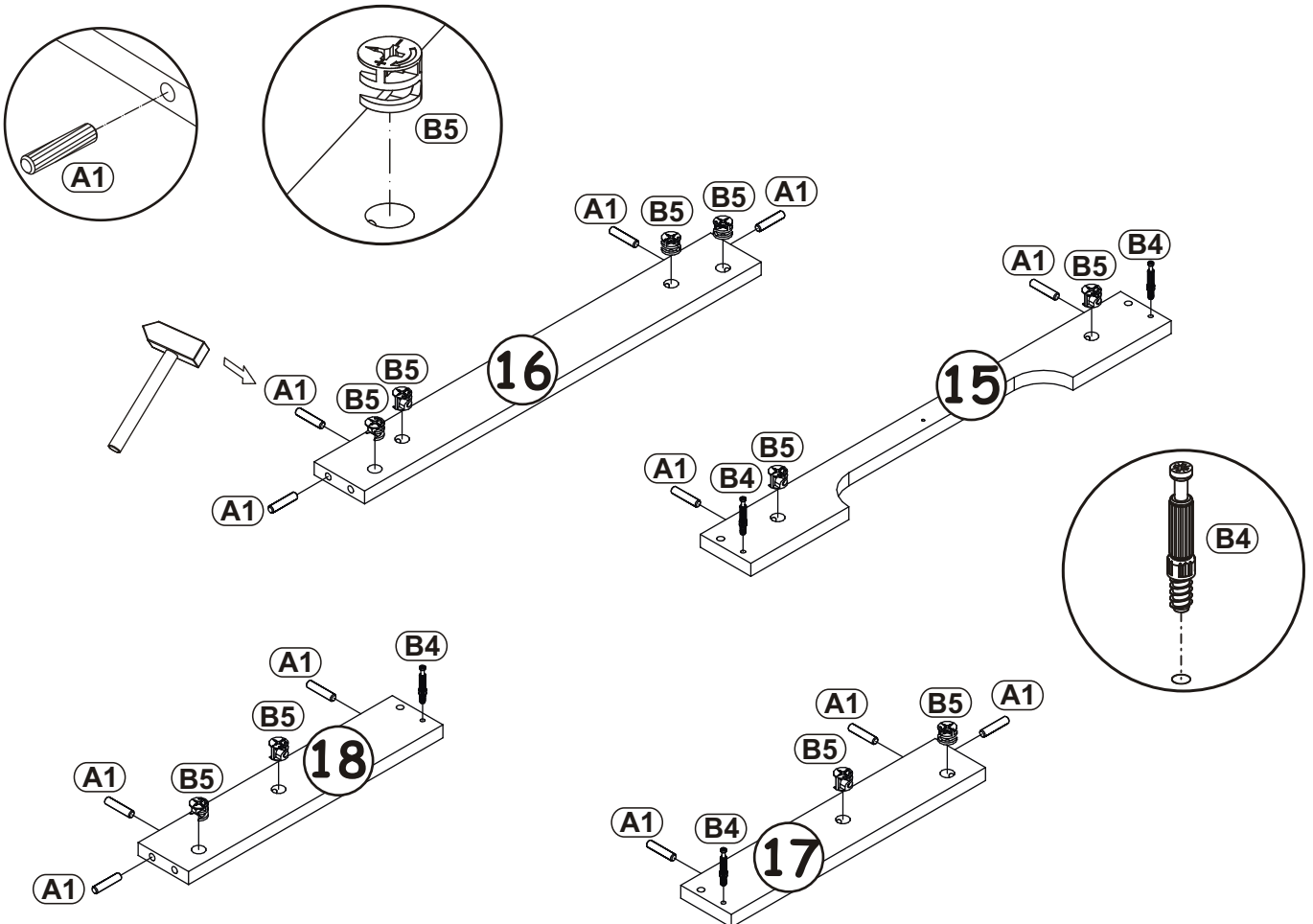
A1		B5	
x4	ø8x36	x4	ø15x12



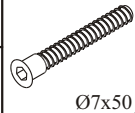

7

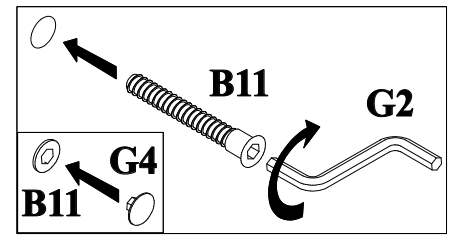
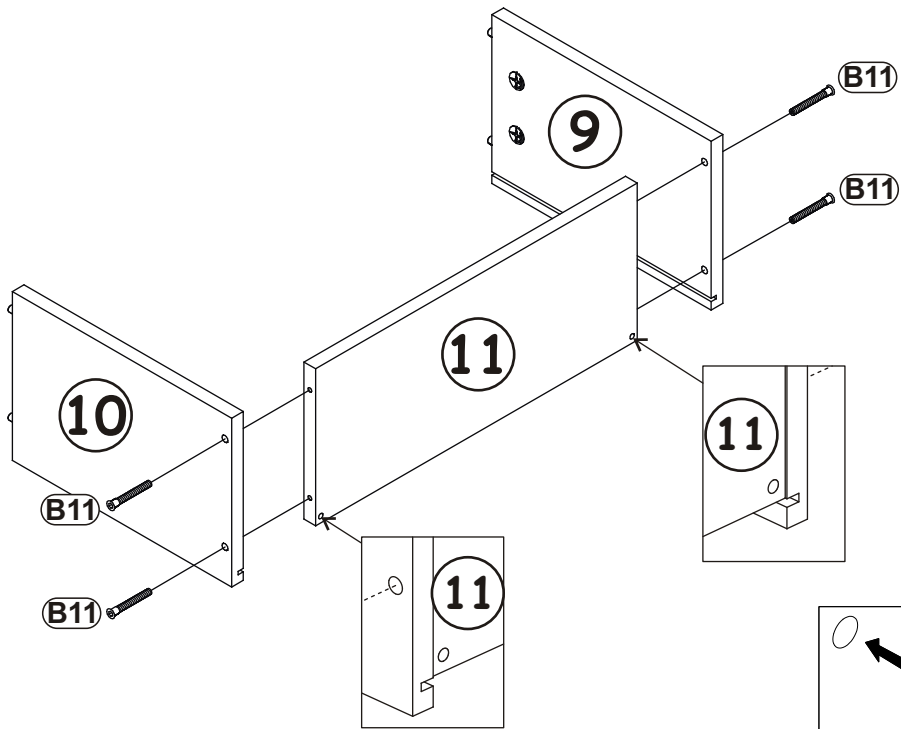


A1		B4		B5	
x12	ø8x36	x4		x10	ø15x12




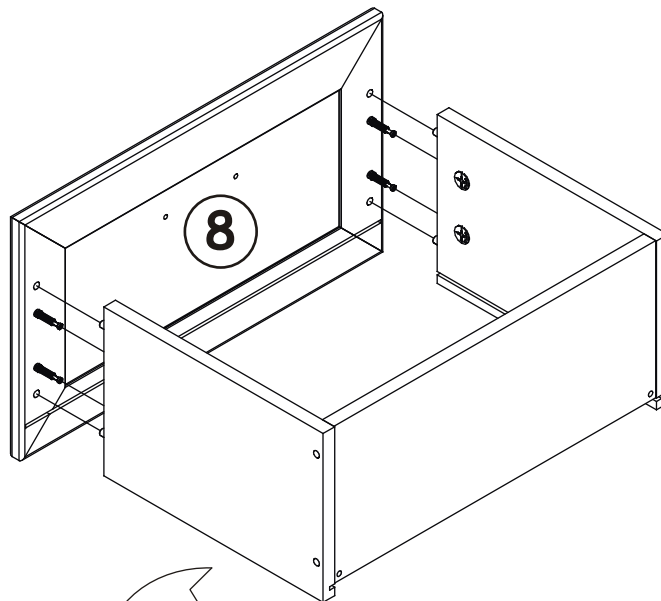
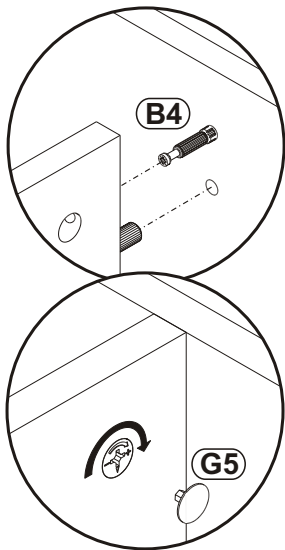
8

B11		G4	
x4	Ø7x50	x4	



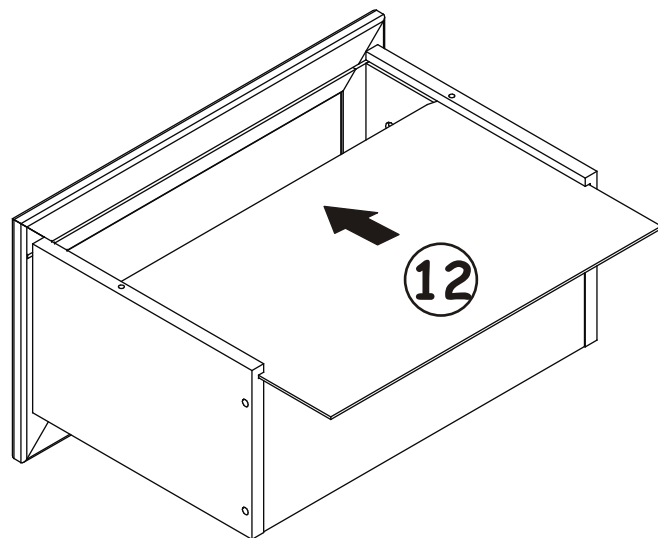
9

G5	
x4	



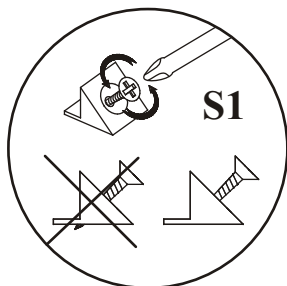
180°

10

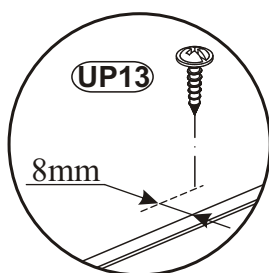
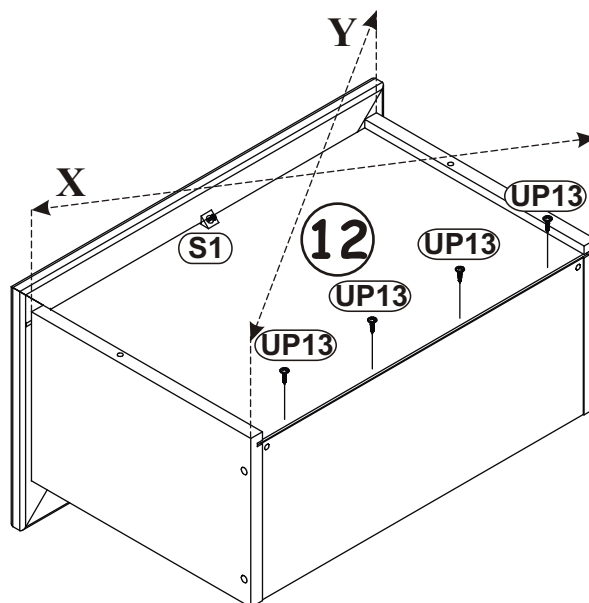


11



S1		UP13	
x1		x4	UPØ3x16

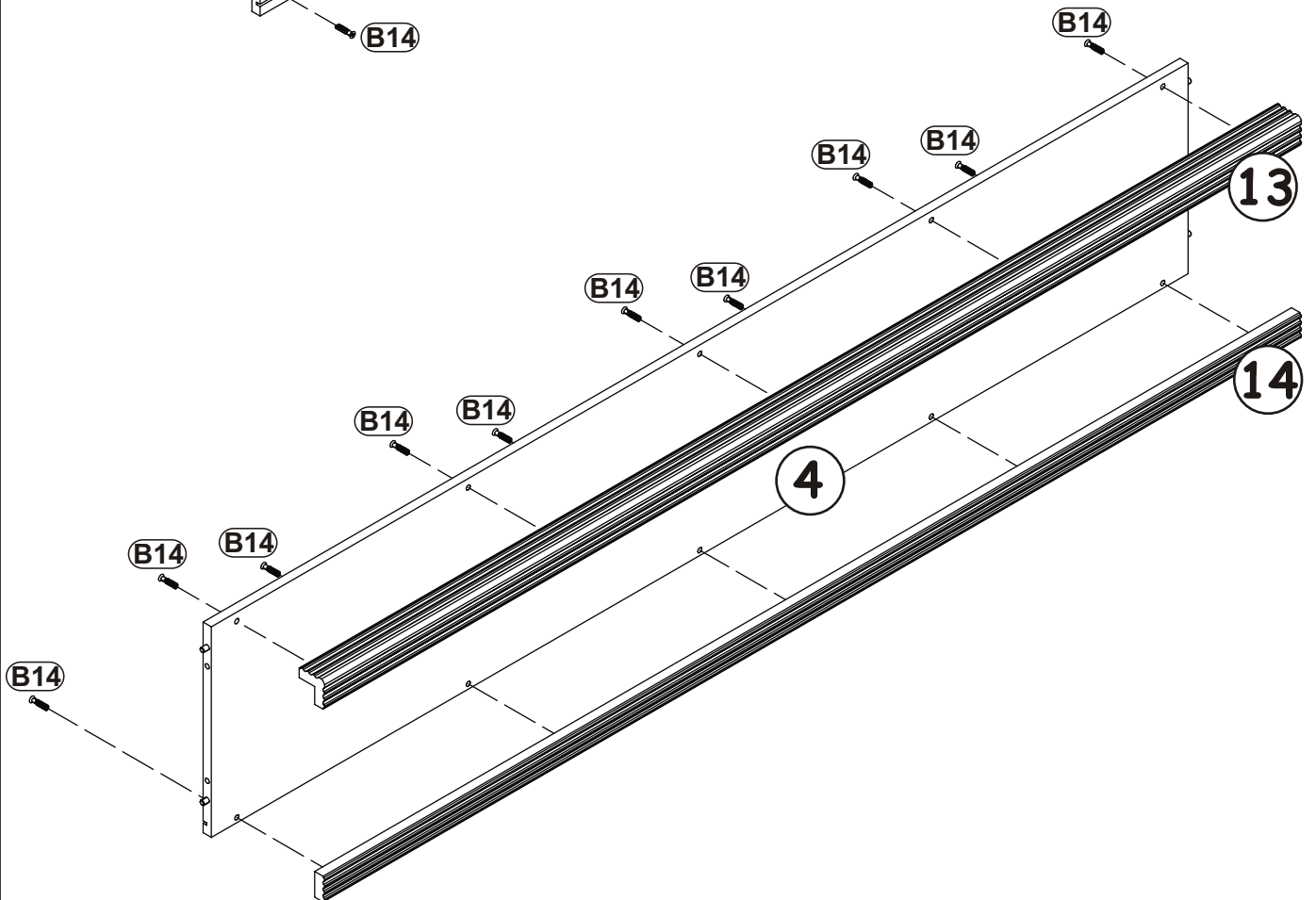
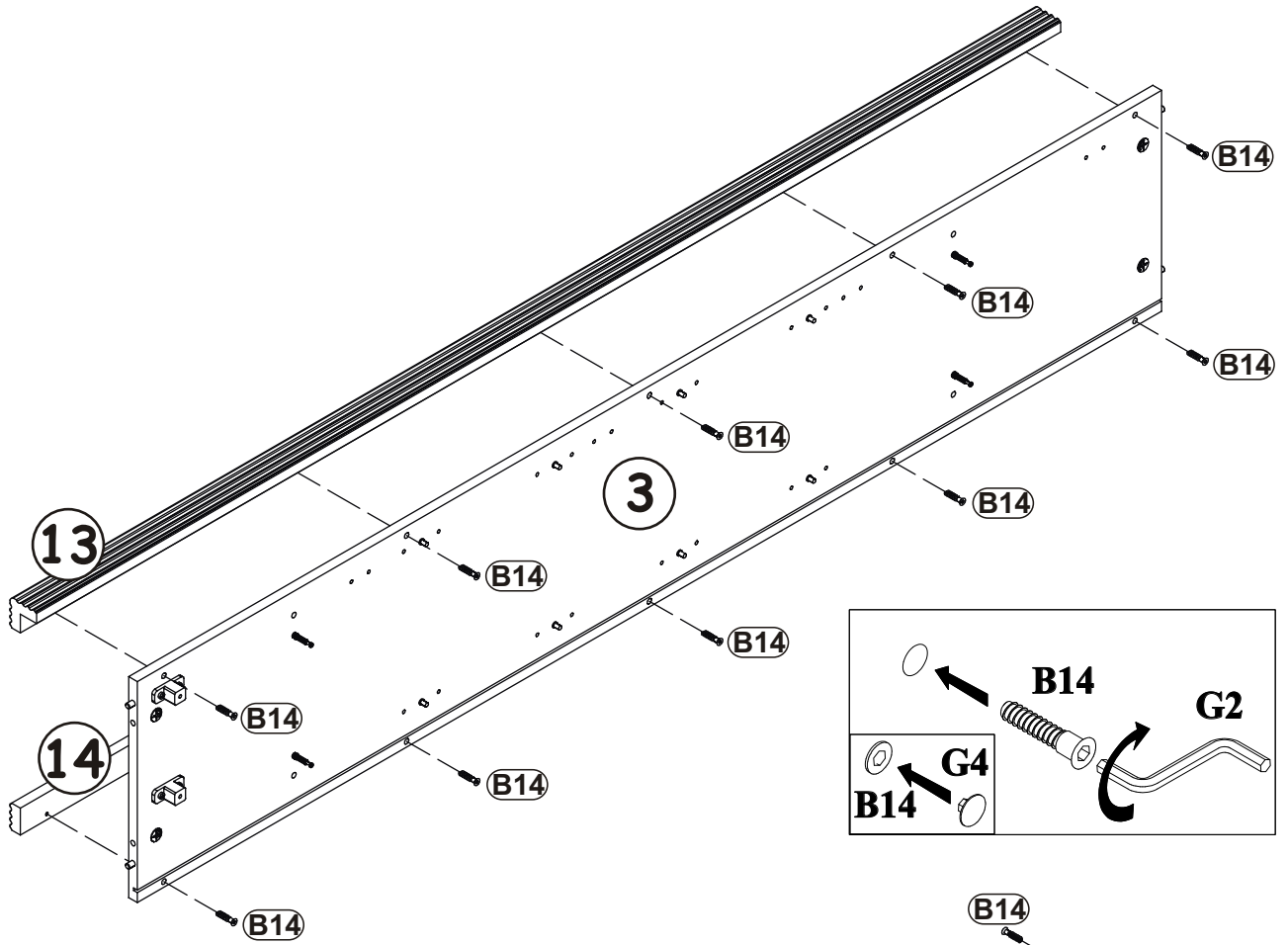



X=Y



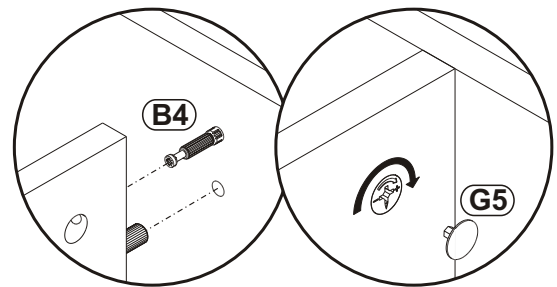
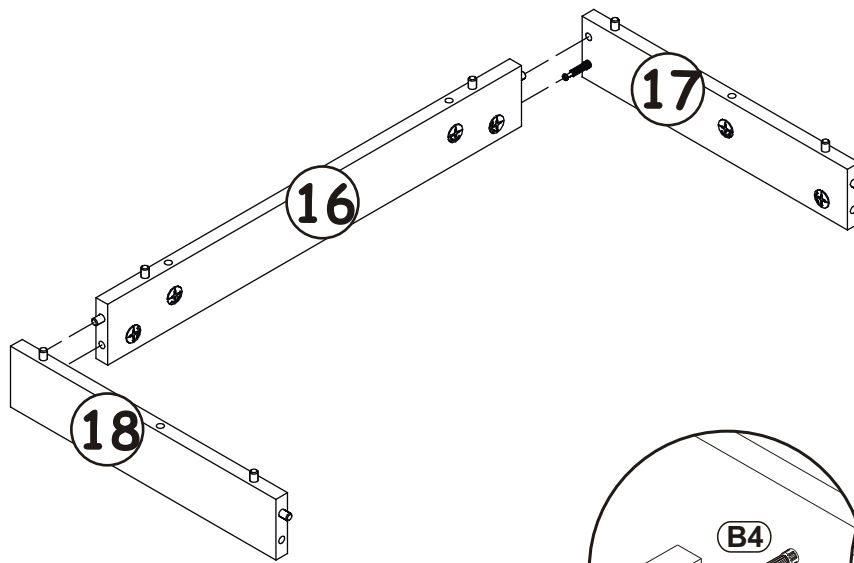
12

B14		G4	
x20	Ø7x30	x20	




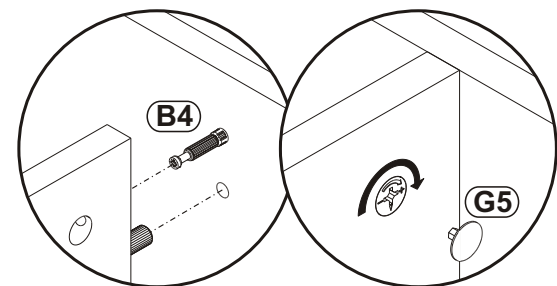
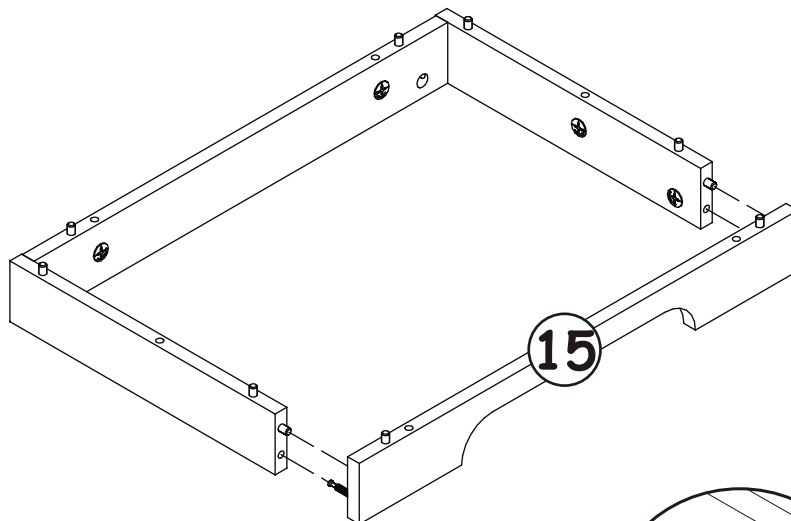
G5	
x2	


# 13



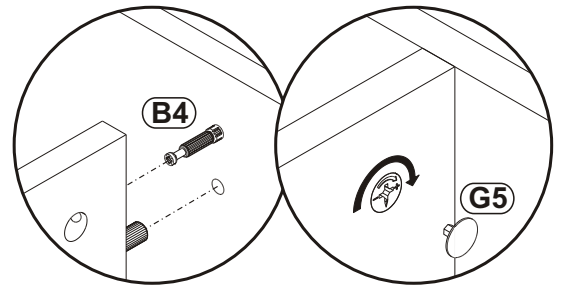
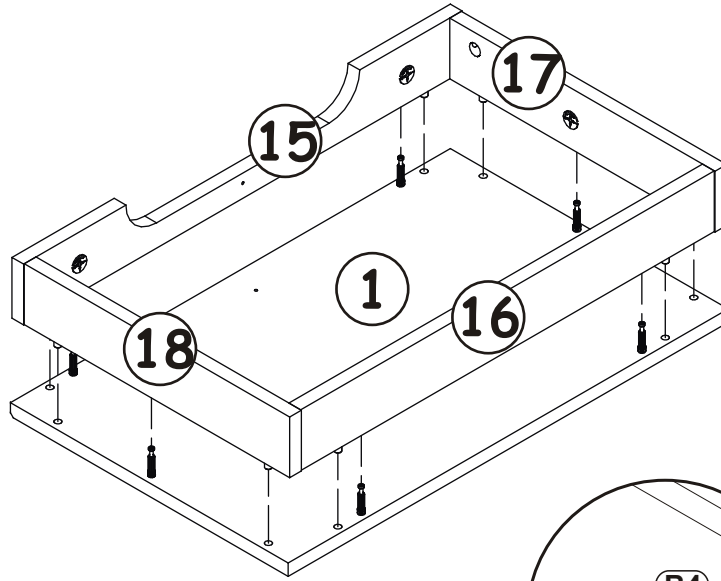
# 14

G5	
x2	


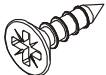



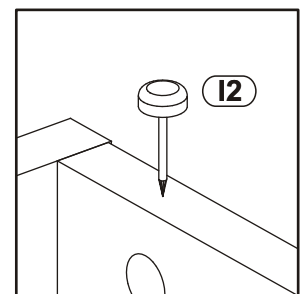
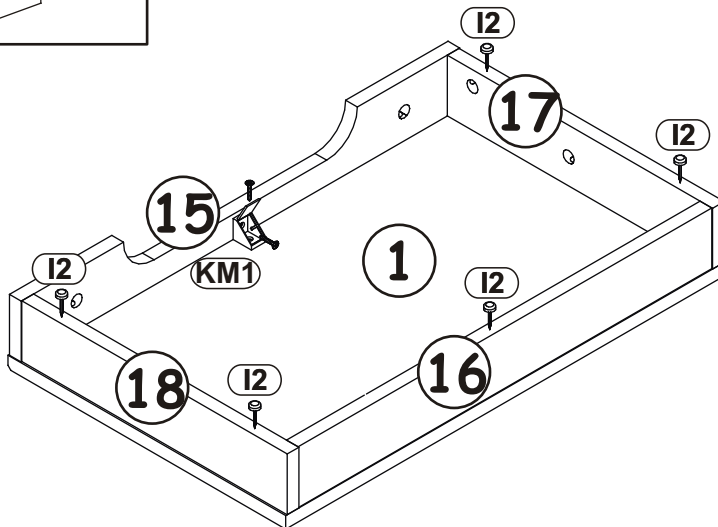
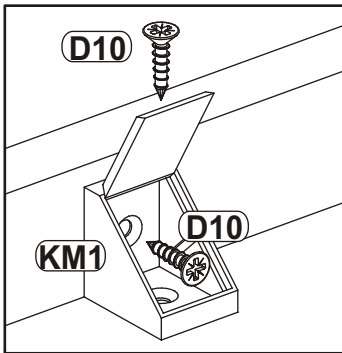
G5	
x6	

# 15



# 16

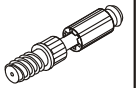
KM1		D10		I2	
x1		x2	US03,5x13	x5	



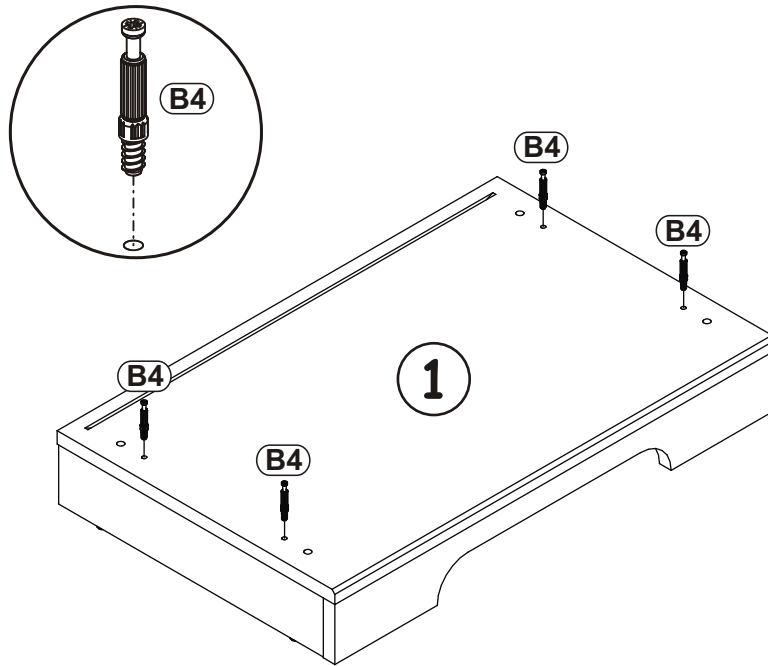


B4

x4



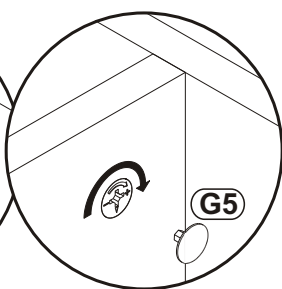
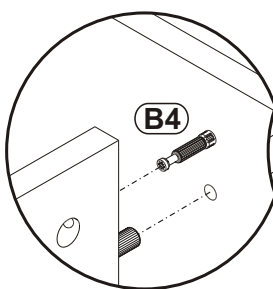
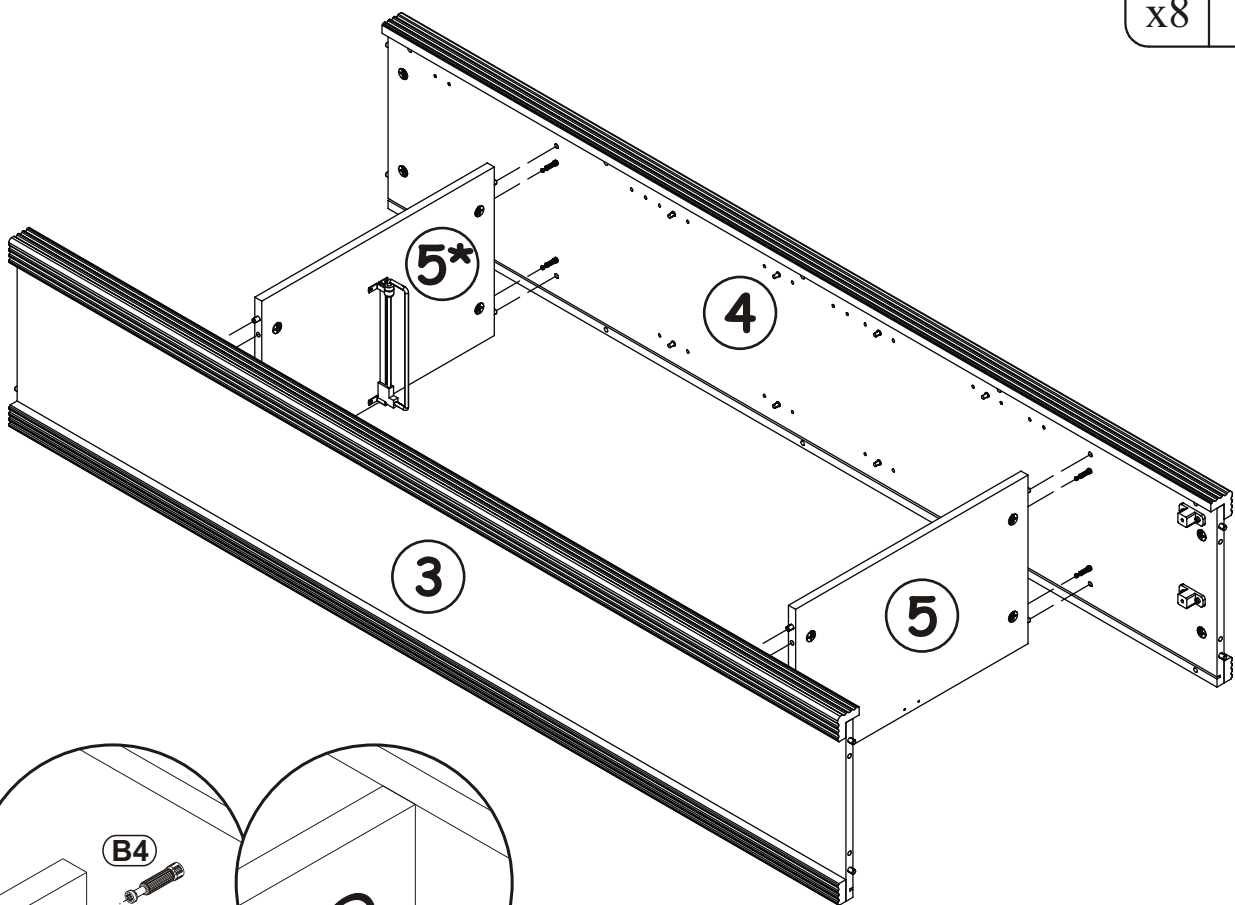
17



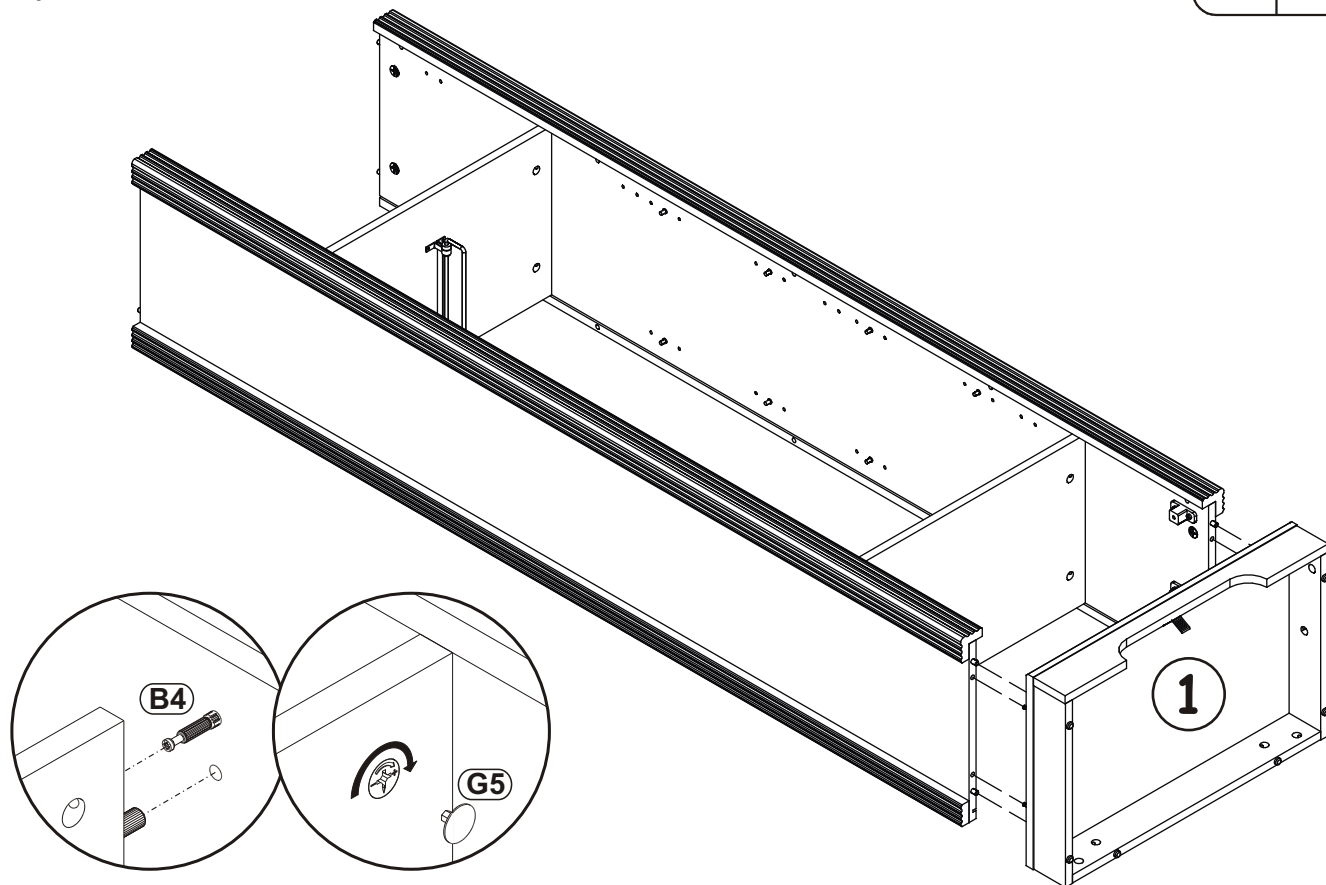
18

G5

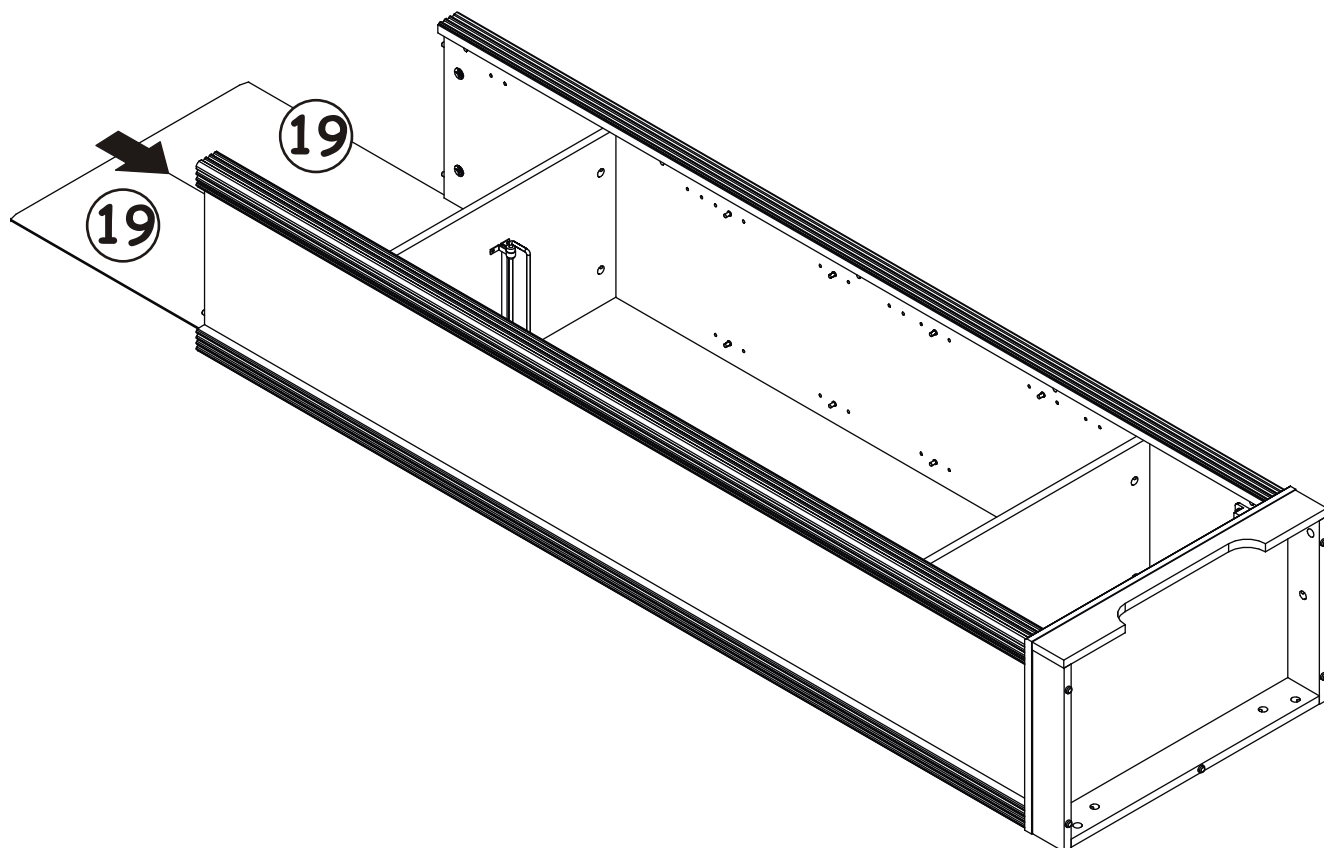
x8




# 19

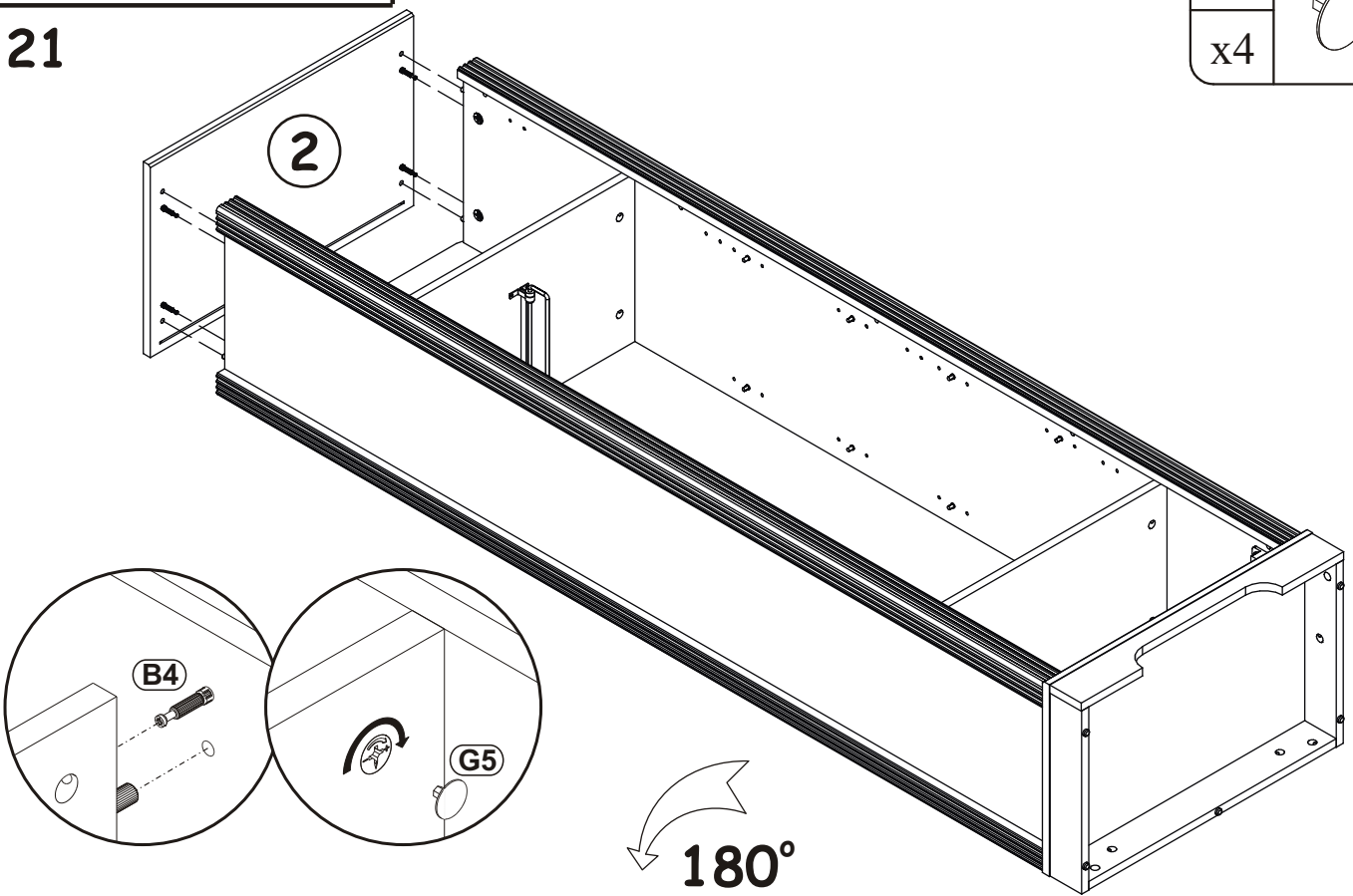


# 20



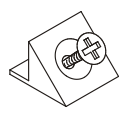
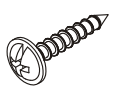
G5	
x4	

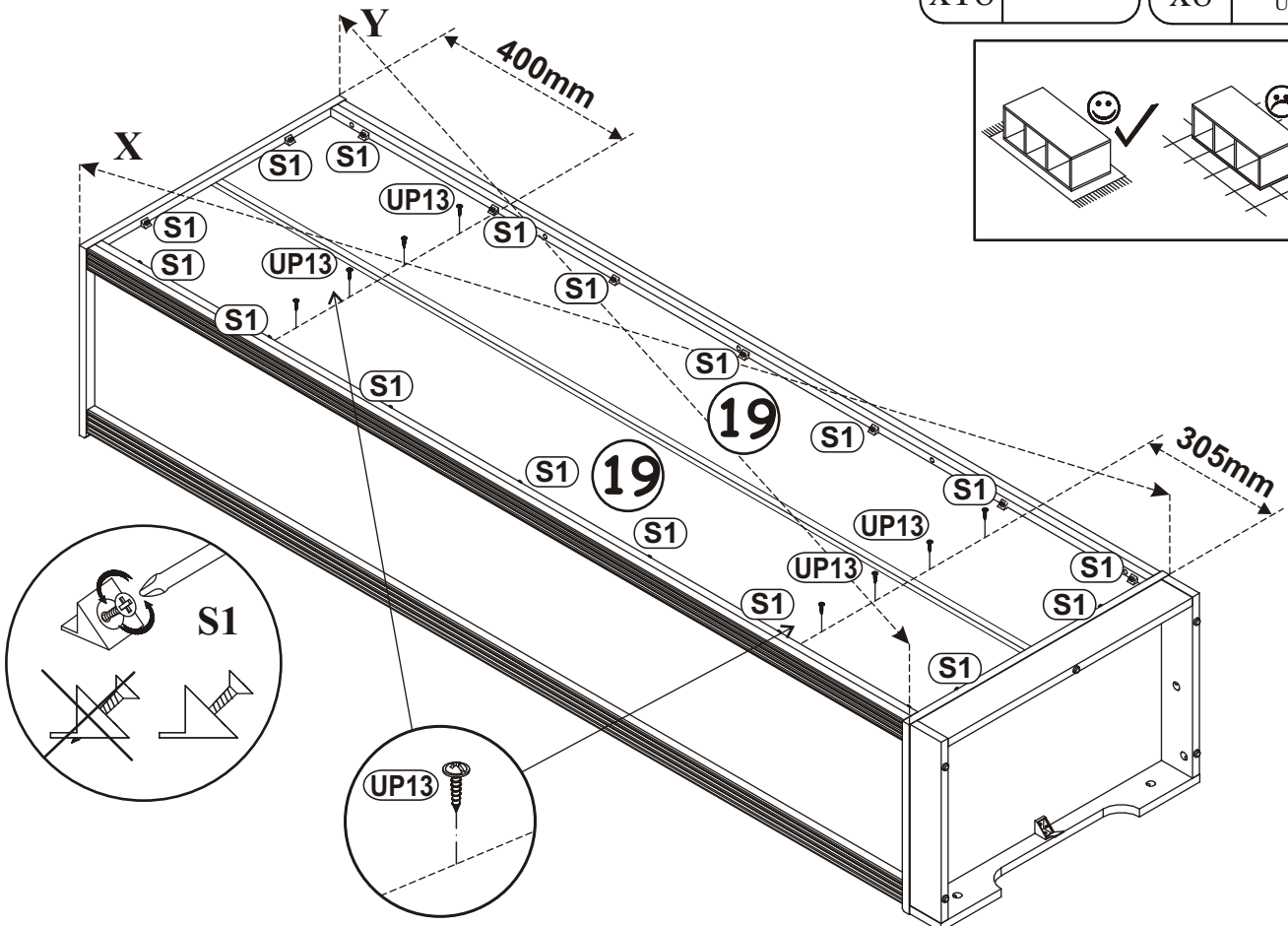
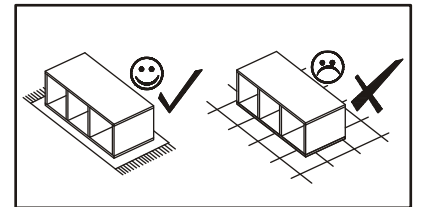
21

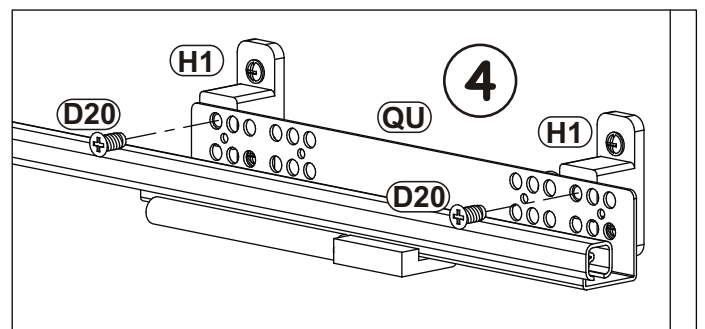
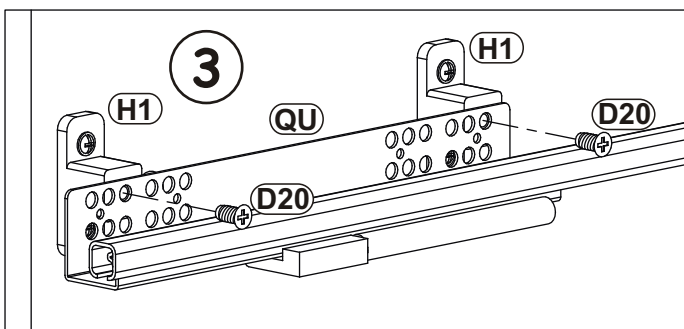
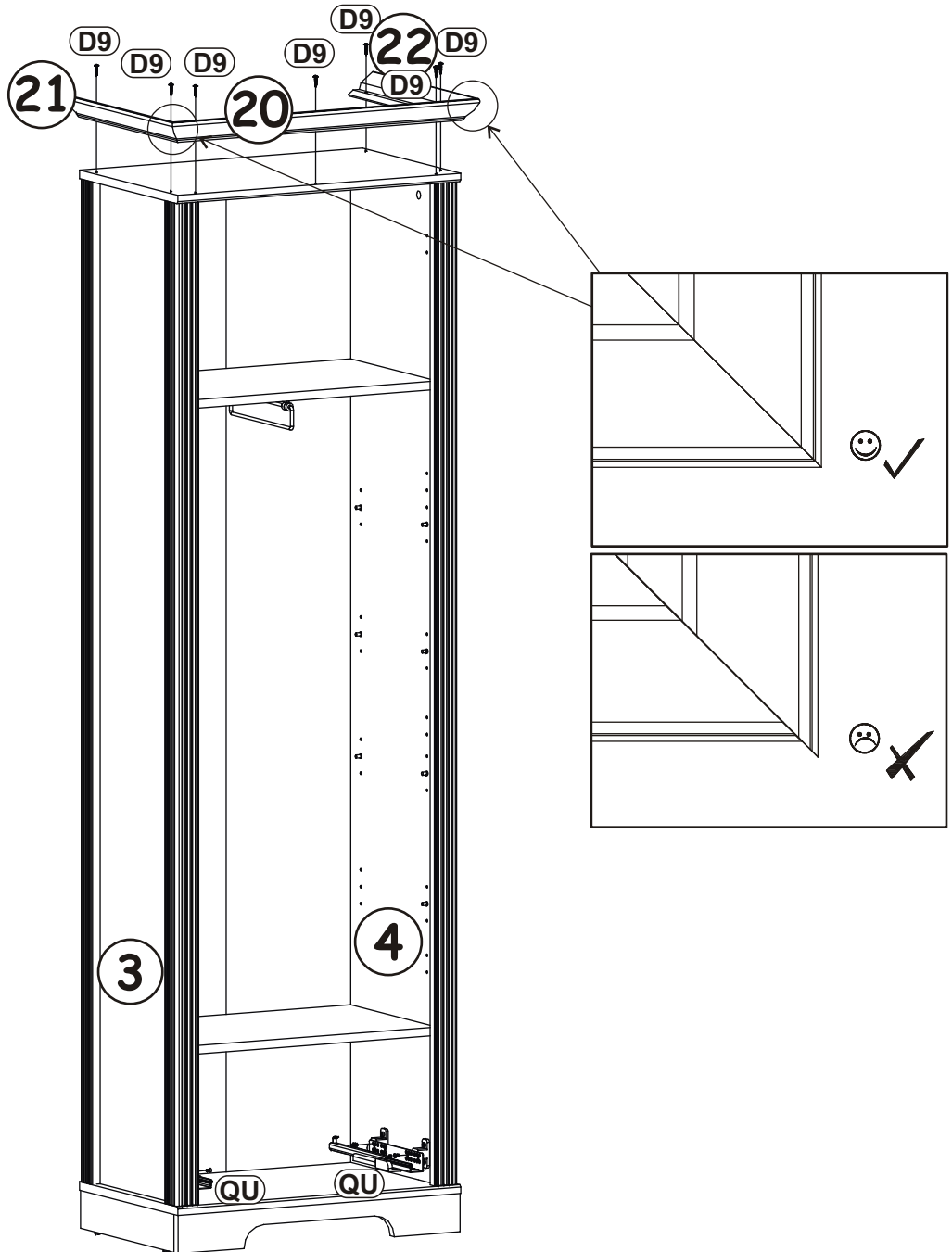
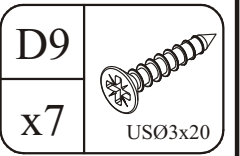
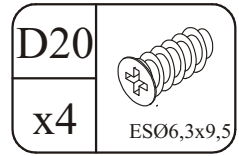
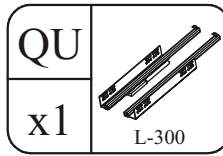


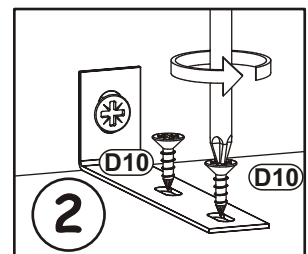
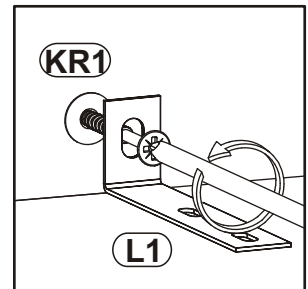
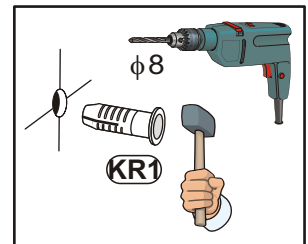
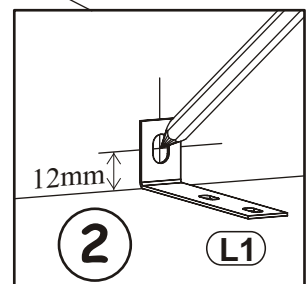
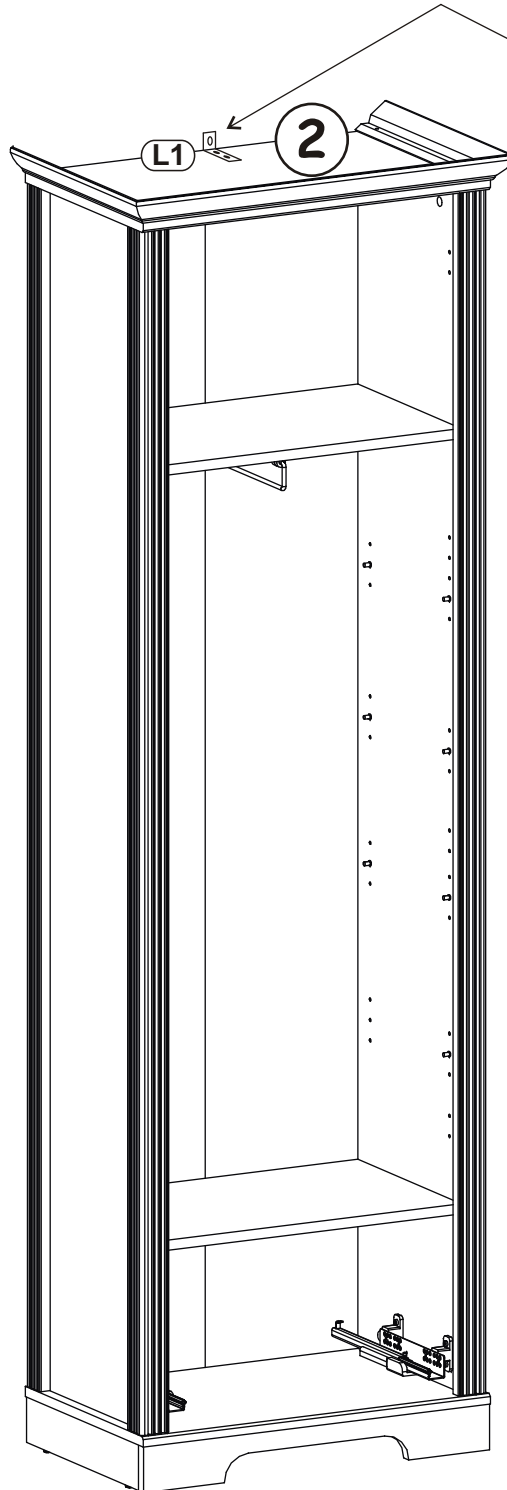
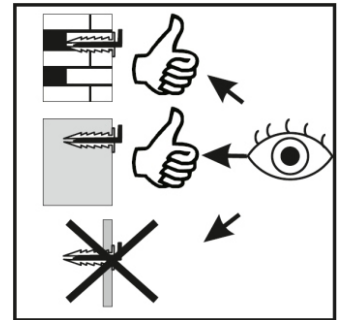
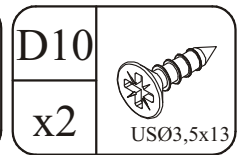
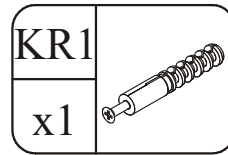
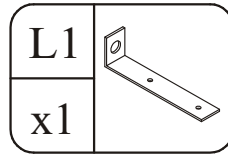
22

X=y  $\uparrow$  90°

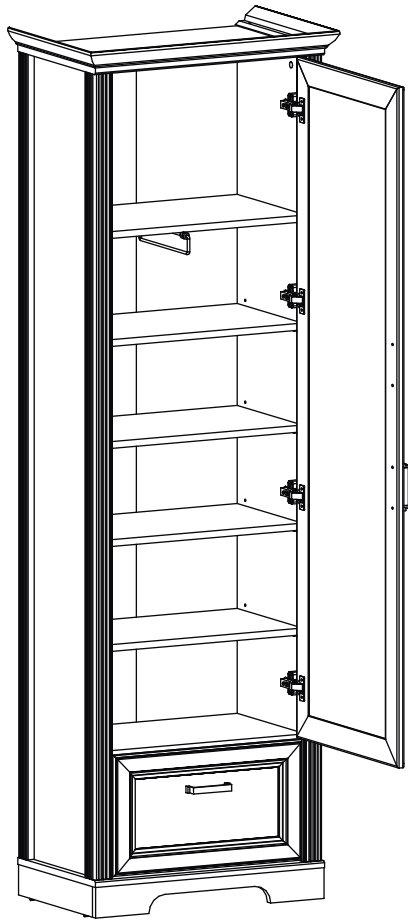
S1		UP13	
x18		x8	UPØ3x16



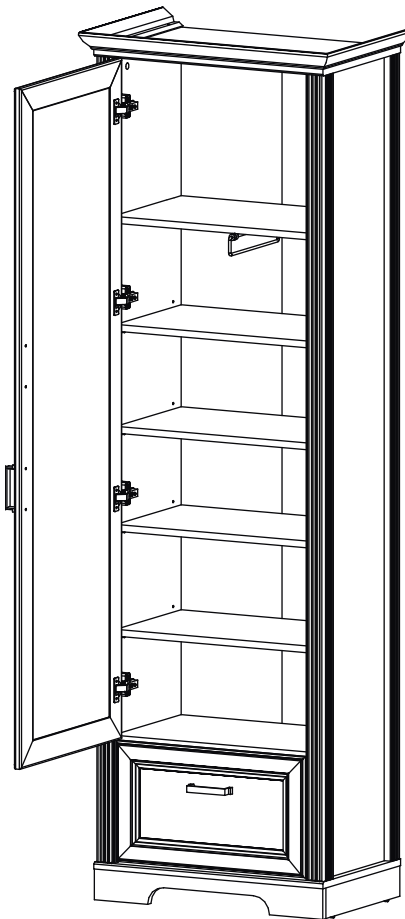




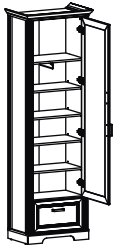
**25-29**



**30-34**



25

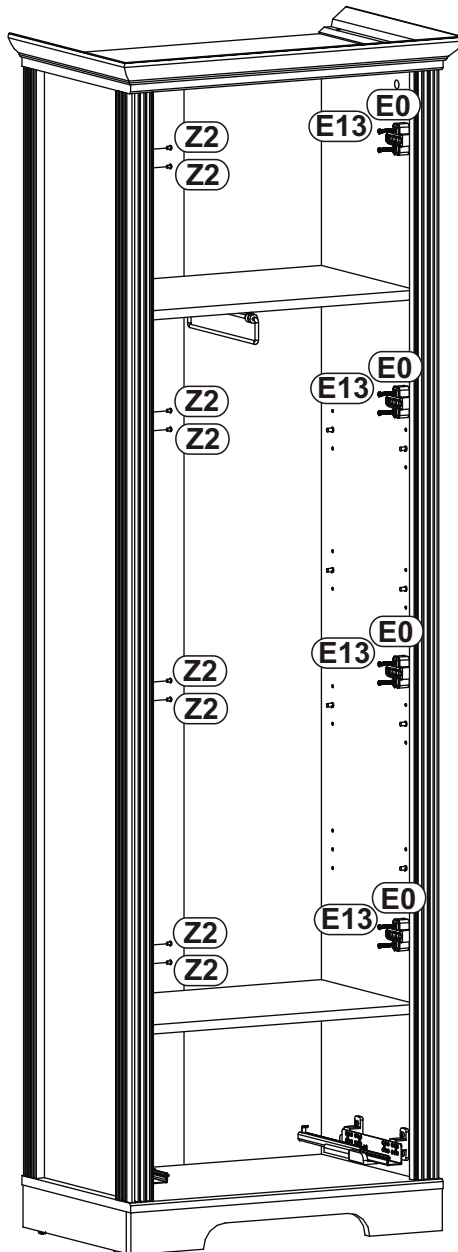
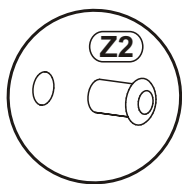
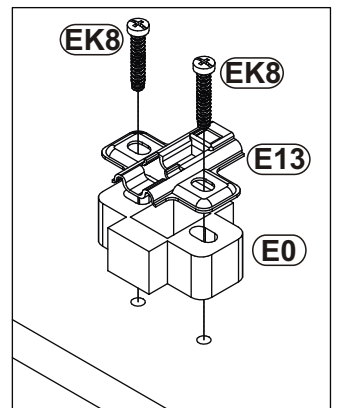
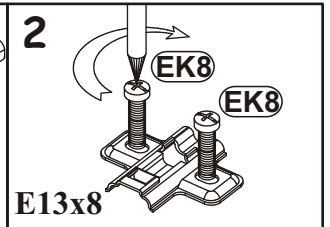
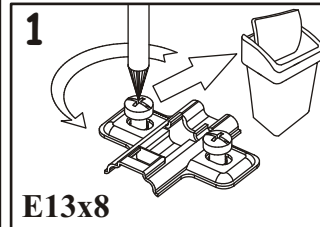
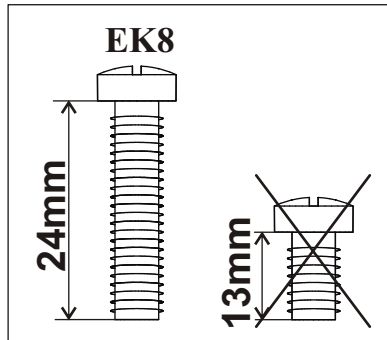
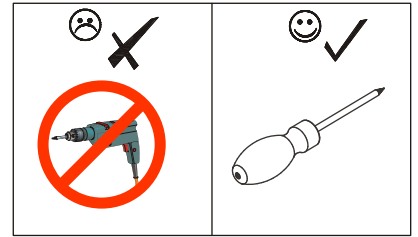


E13	
x4	

E0	
x4	H=11

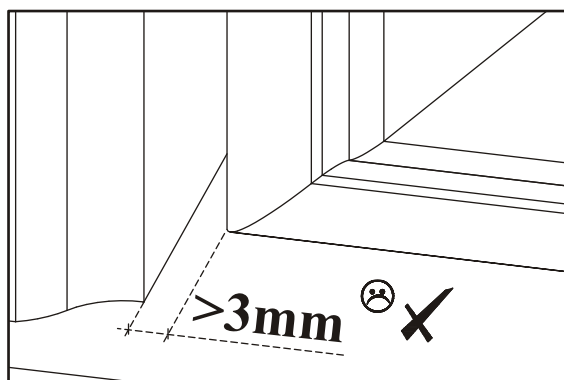
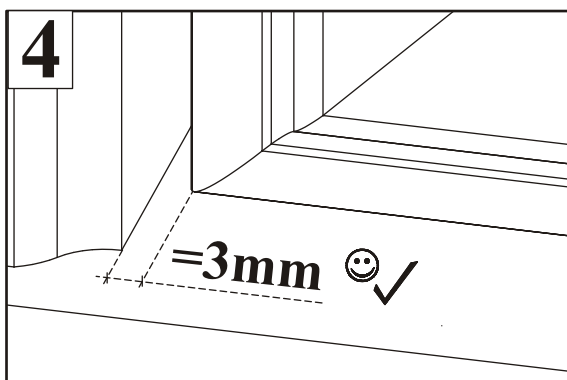
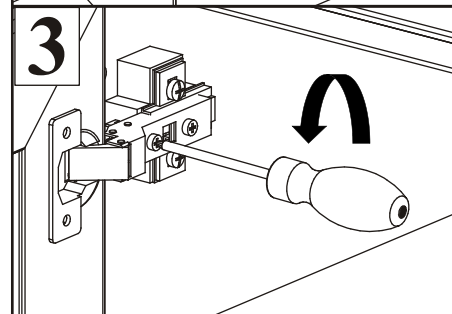
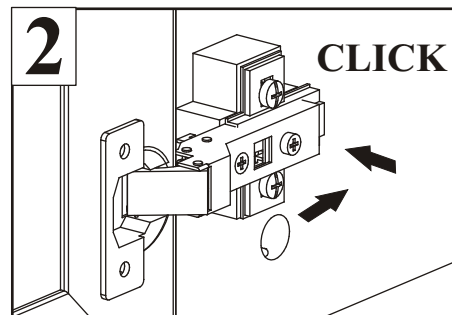
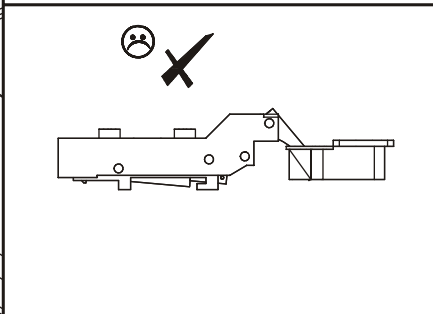
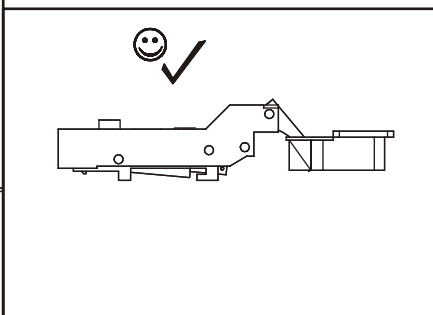
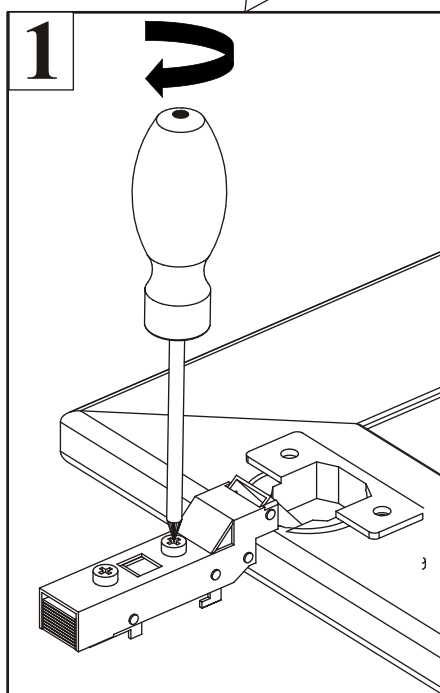
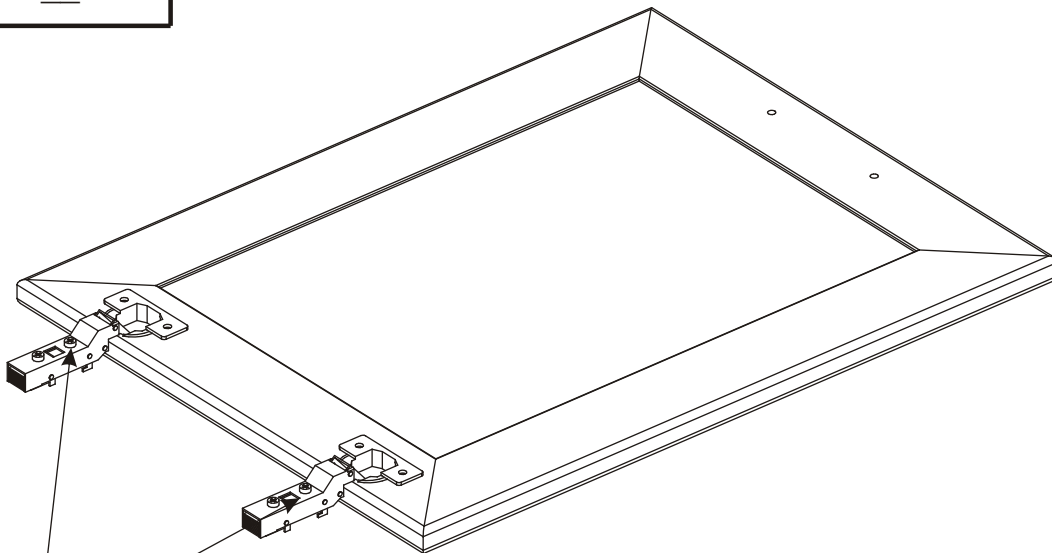
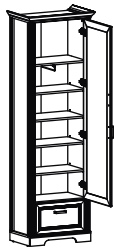
EK8	
x8	EKØ6,3x24

Z2	
x8	Ø5

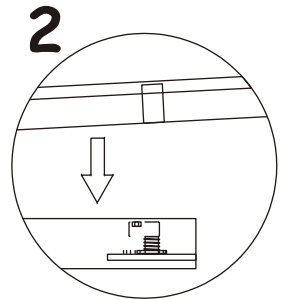
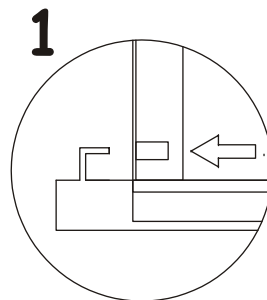
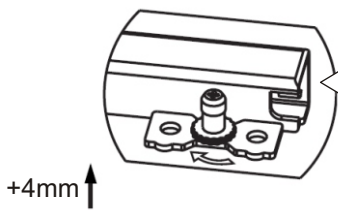
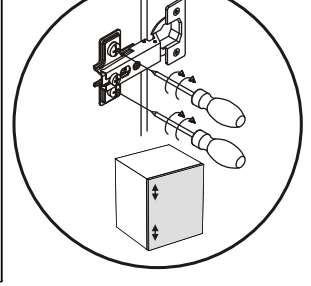
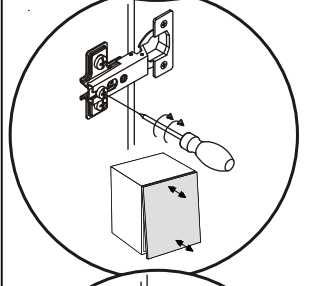
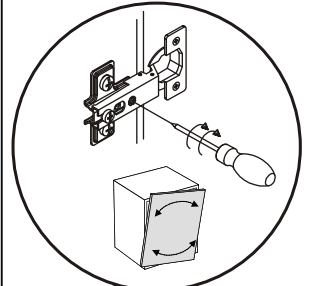
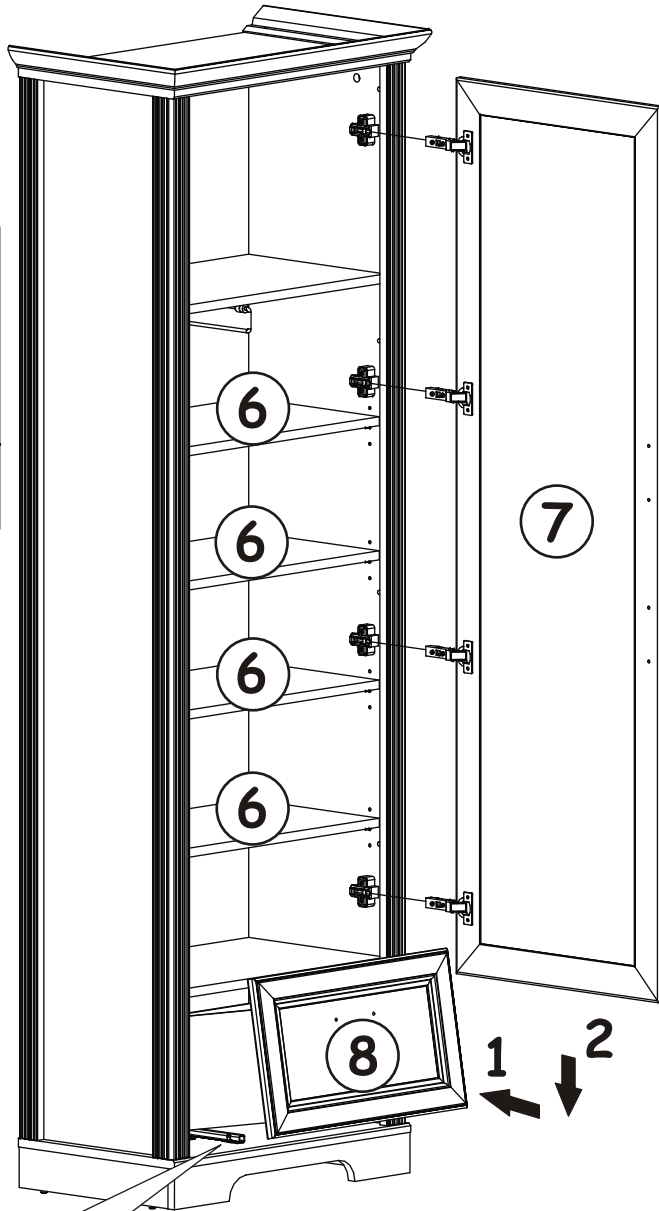
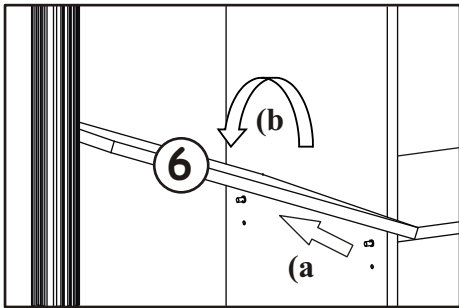
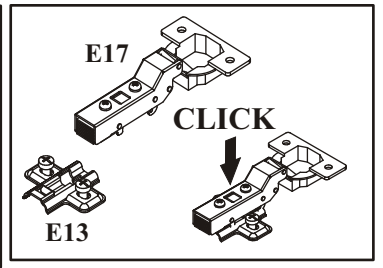
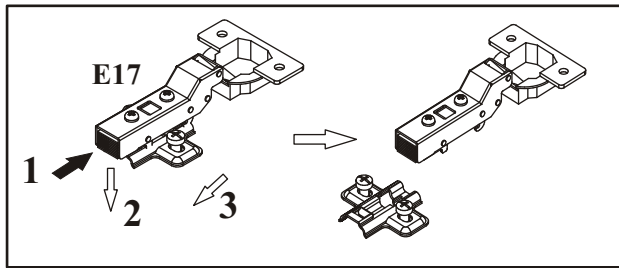
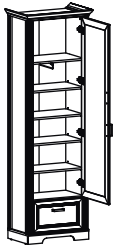




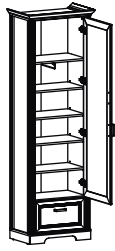
26



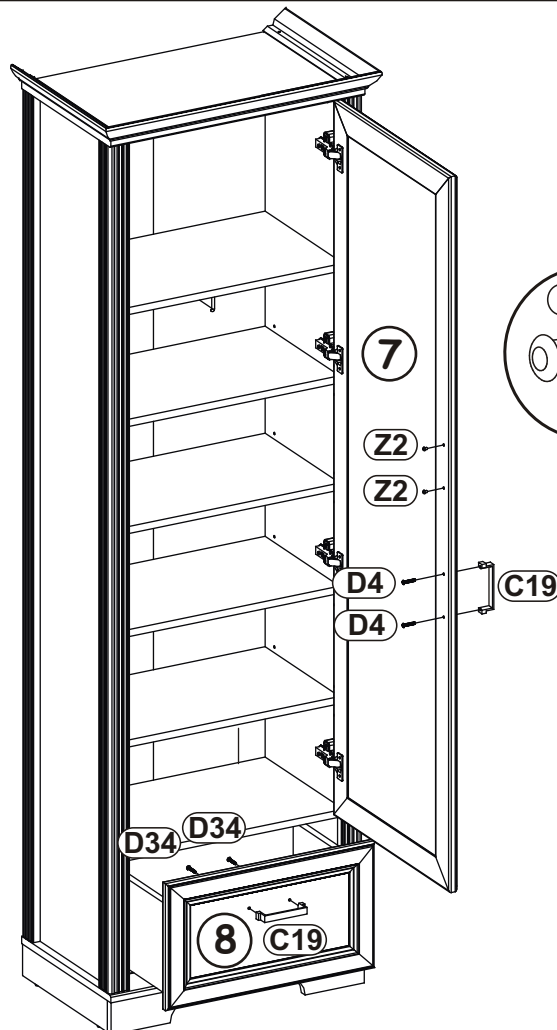
27



28

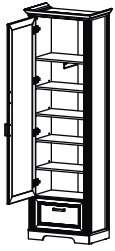


29



C19	
x2	
D34	
x2	M4x16
D4	
x2	M4x30
Z2	
x2	Ø5

30

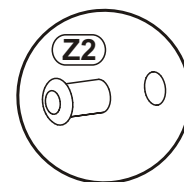
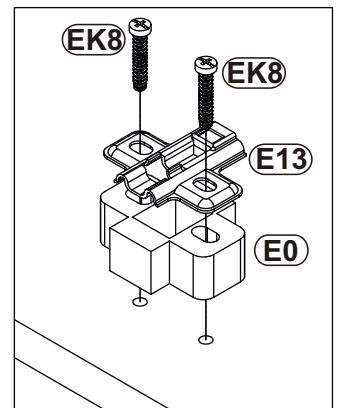
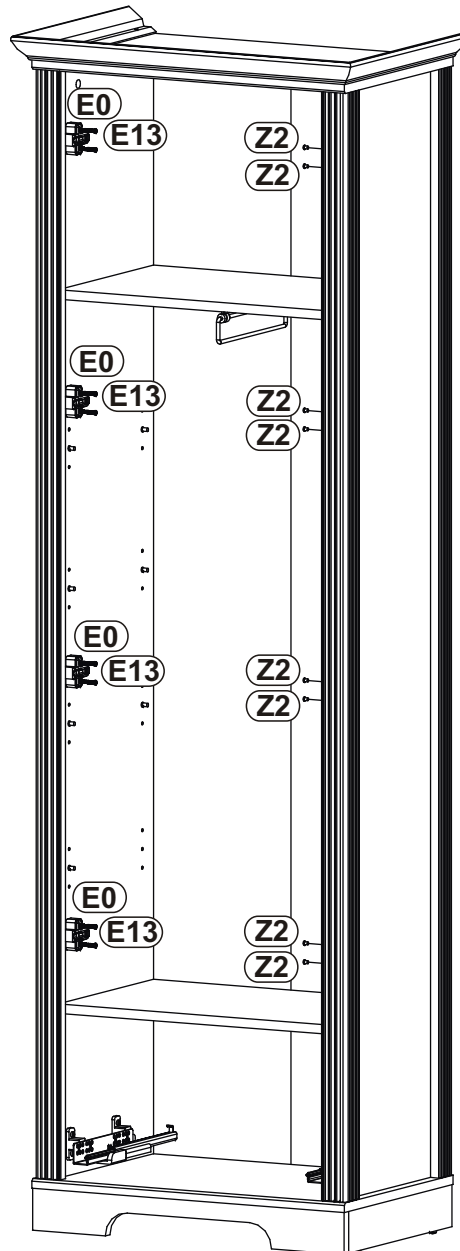
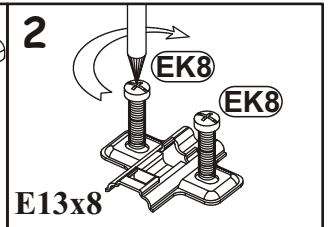
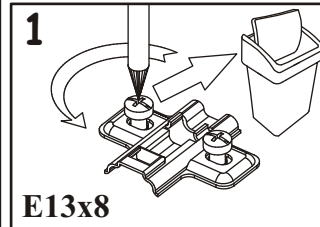
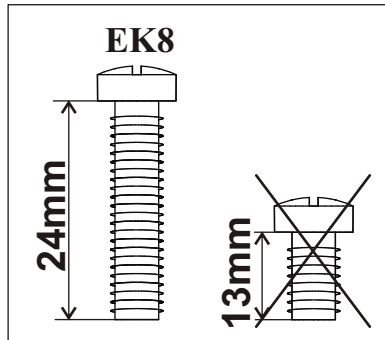
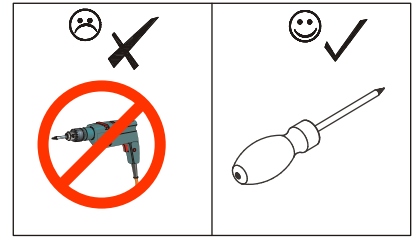


E13	
x4	

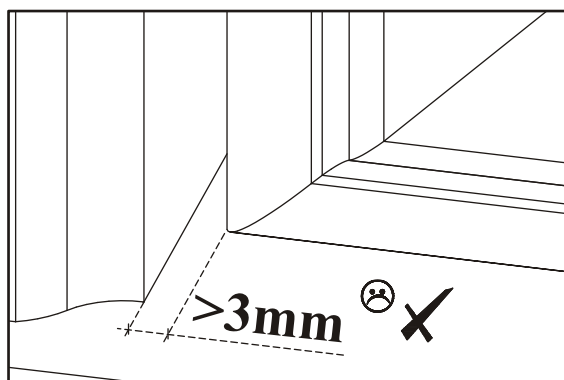
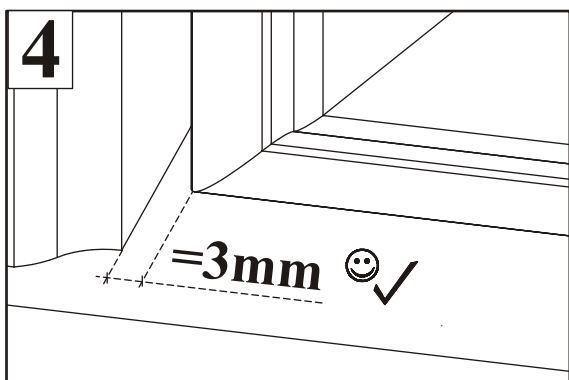
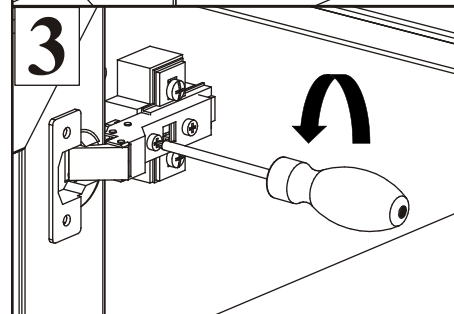
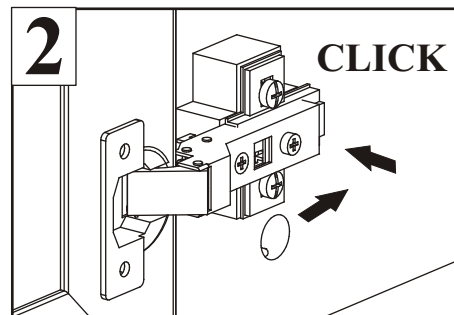
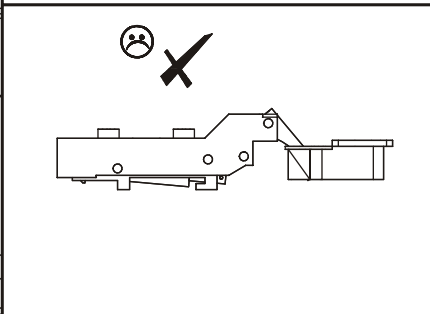
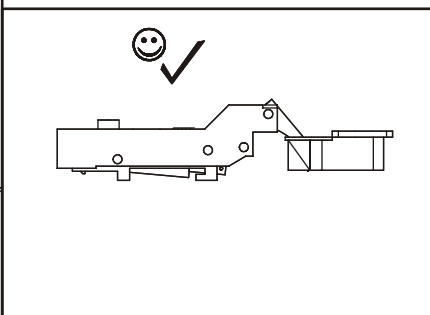
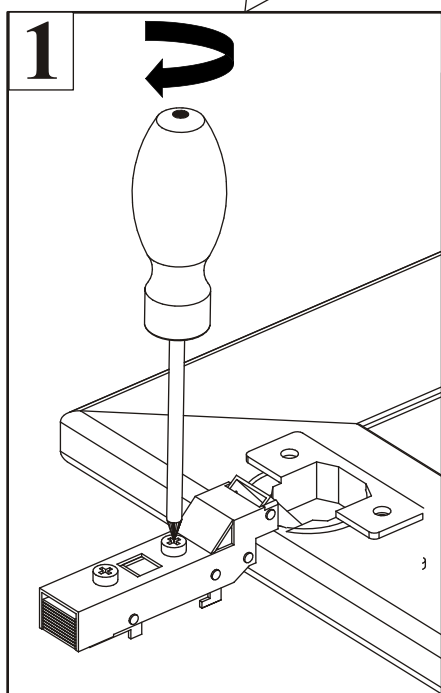
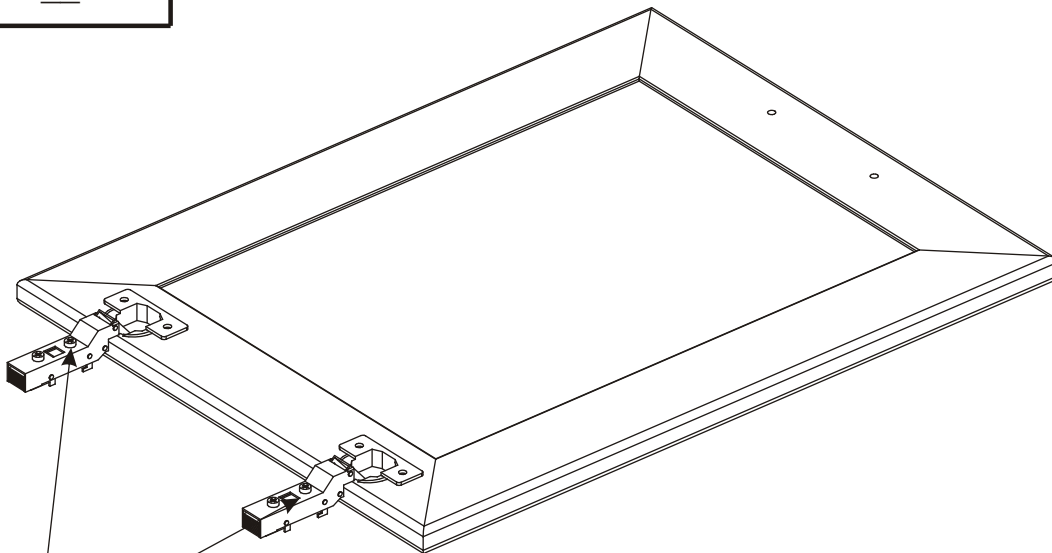
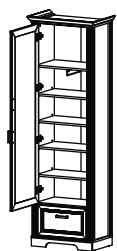
E0	
x4	H=11

EK8	
x8	EKØ6,3x24

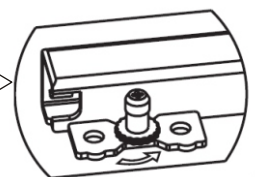
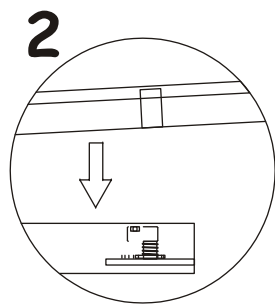
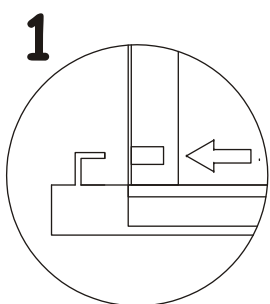
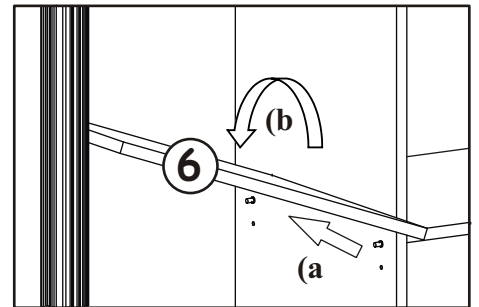
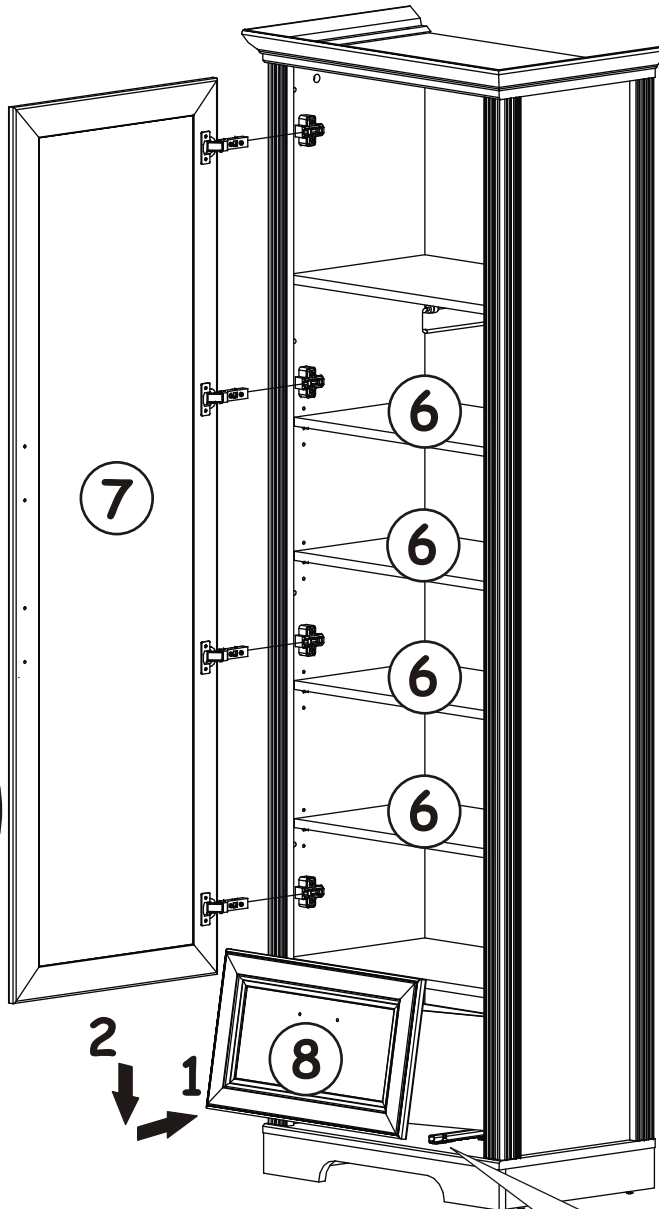
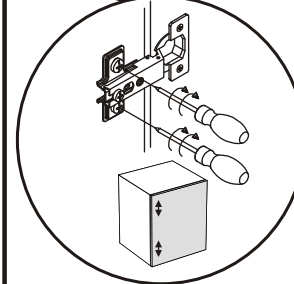
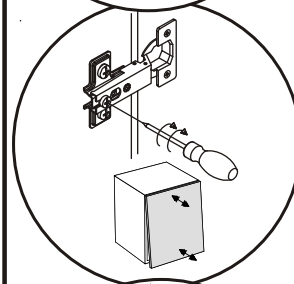
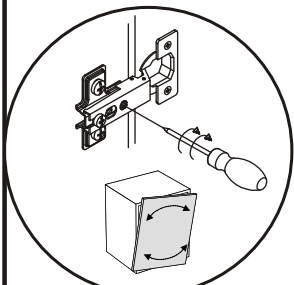
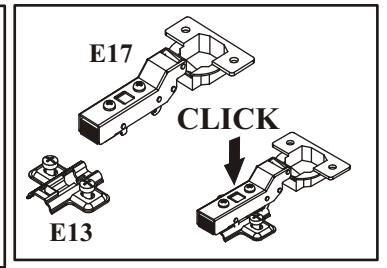
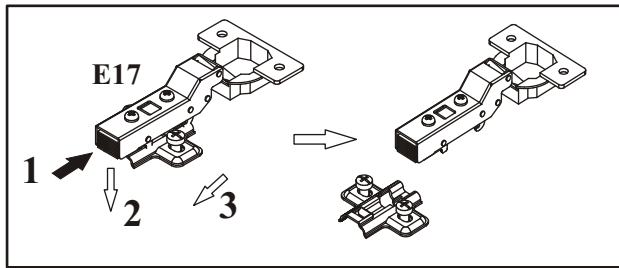
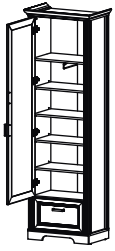
Z2	
x8	Ø5



31

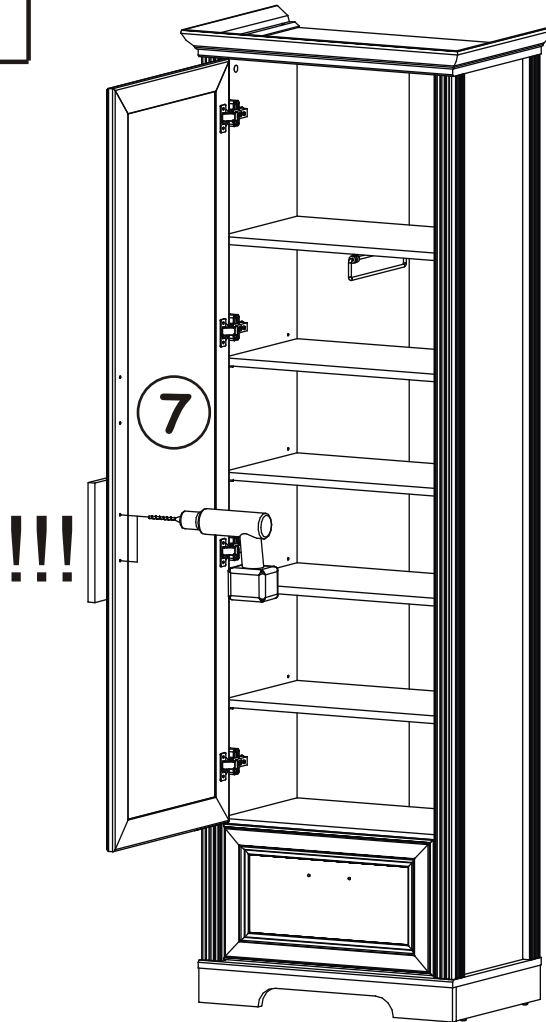
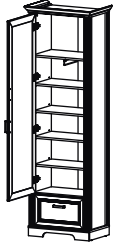


32

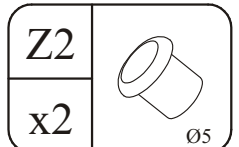
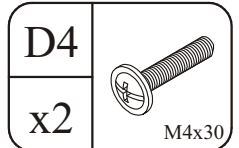
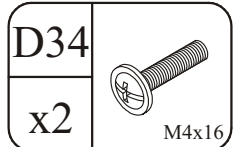
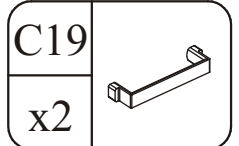
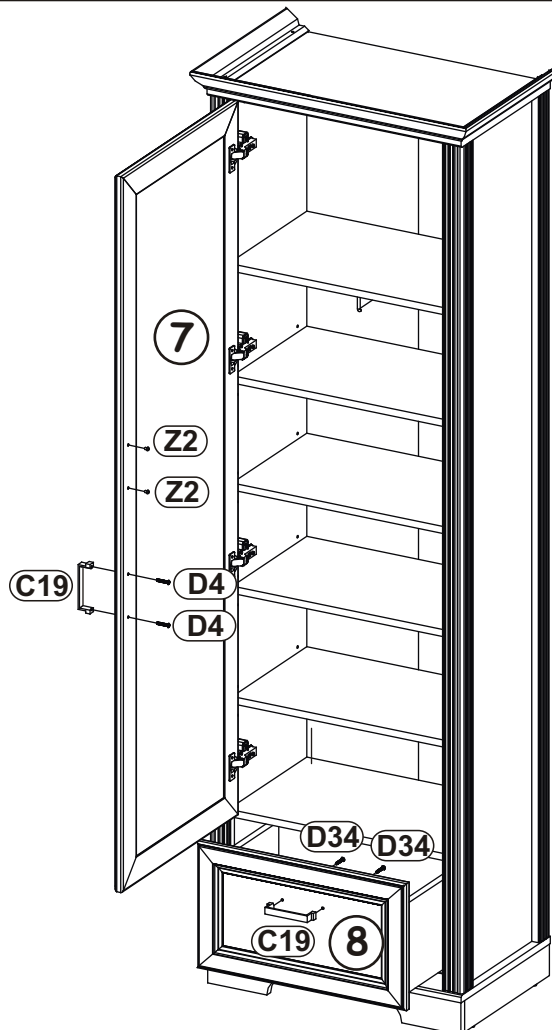
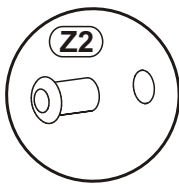


↑+4mm

33

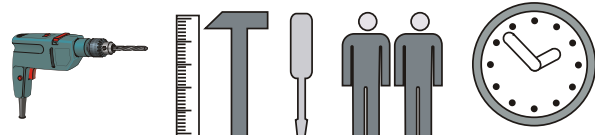
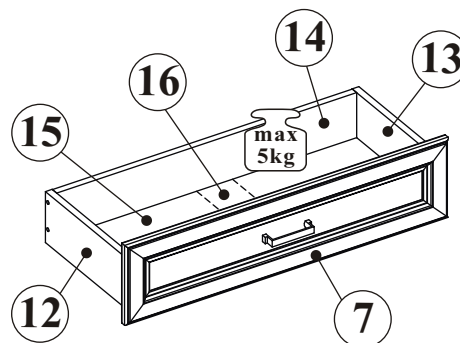
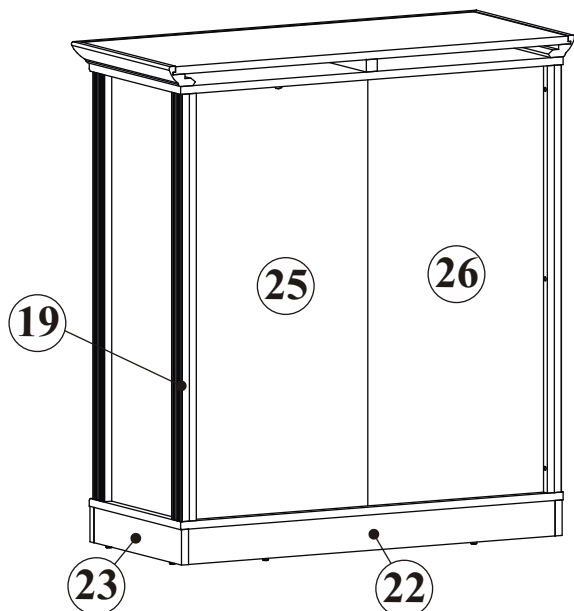
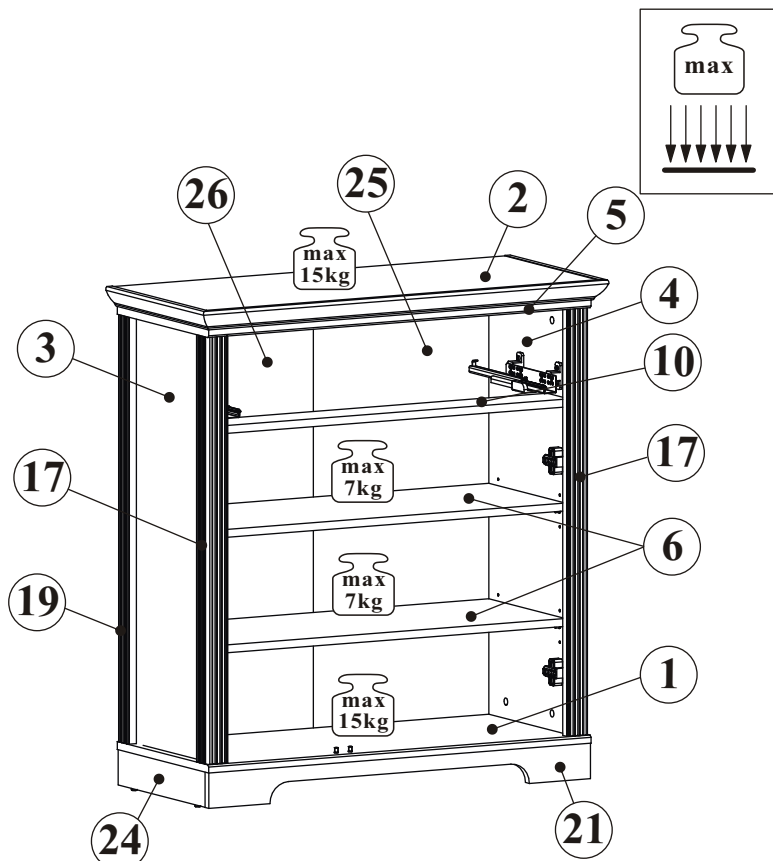
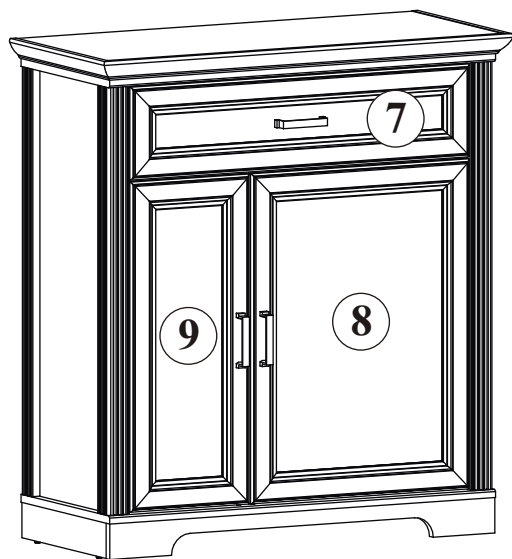


34





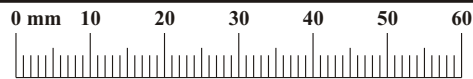
# JASMIN 30B1\_11



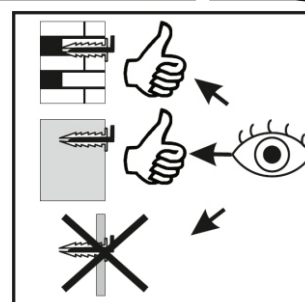
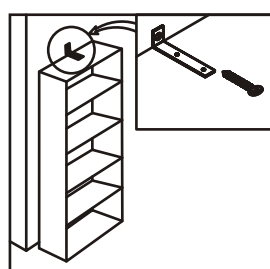
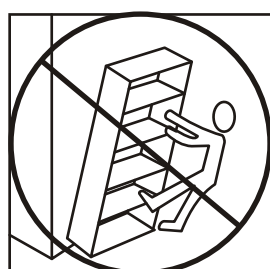
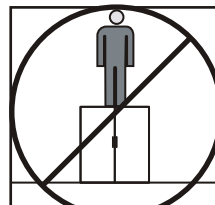
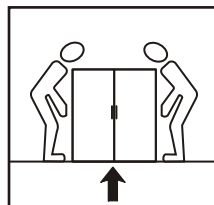
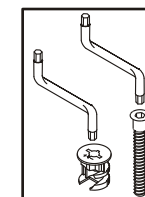
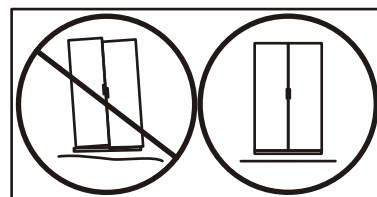
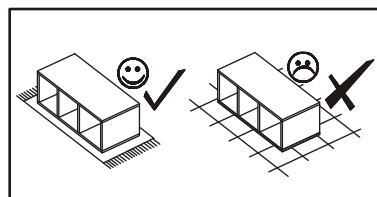
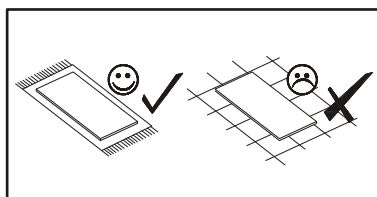
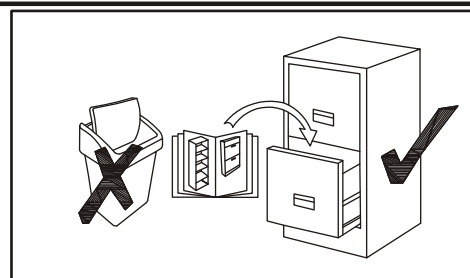
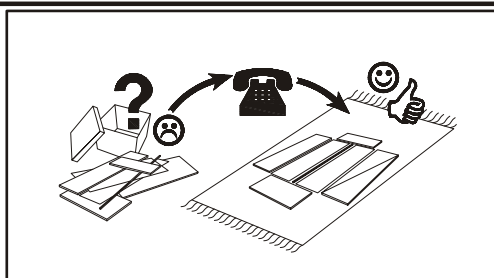
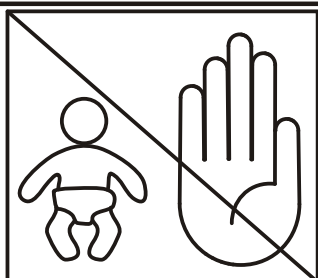
120 min

NO	Dim.		Col.-No	Qty
1	876	380	1	1
2	929	406	1	1
3	866	353	2	1
4	866	353	2	1
5	876	380	1	1
6	804	318	1	2
7	770	188	2	1
8	668	496	2	1
9	668	270	2	1
10	804	90	2	1
12	300	120	2	1
13	300	120	2	1

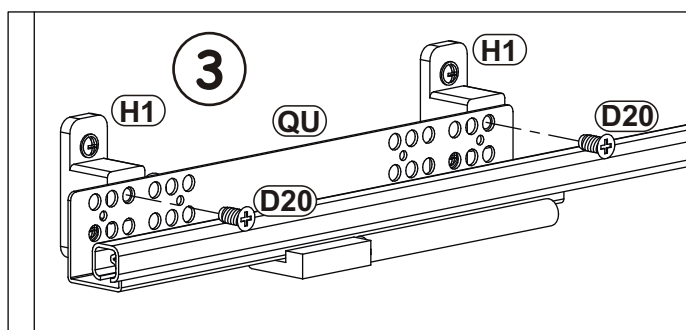
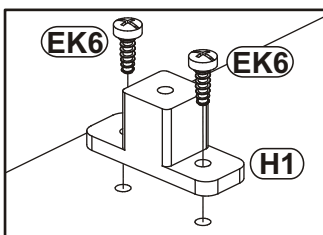
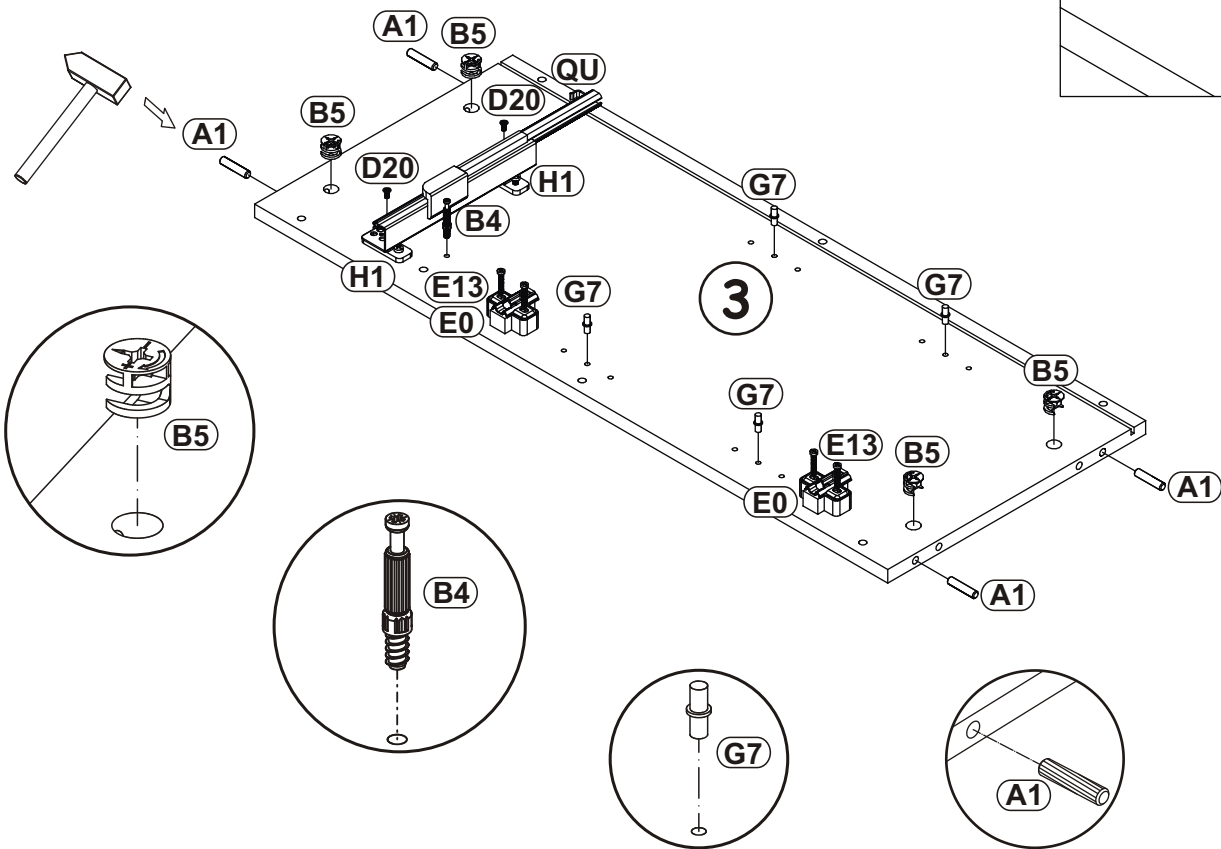
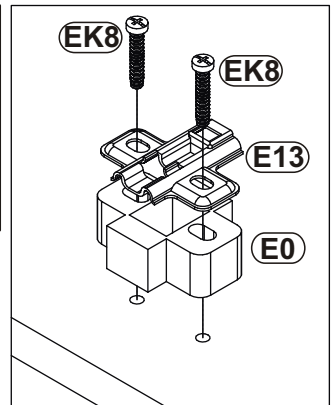
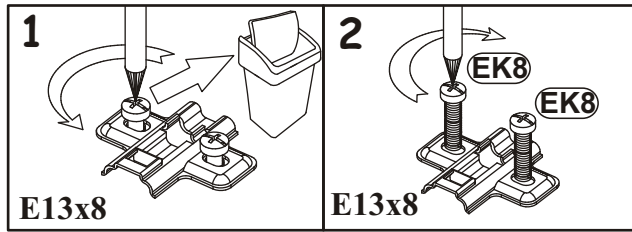
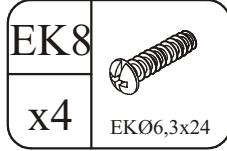
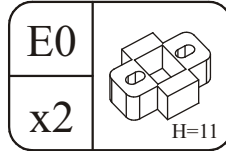
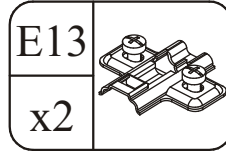
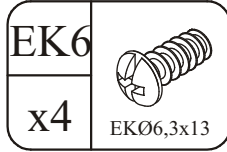
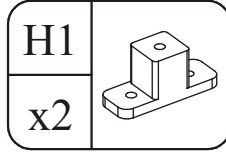
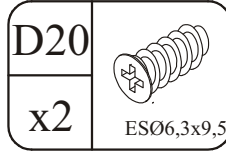
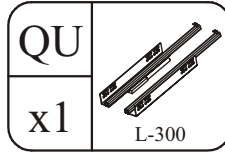
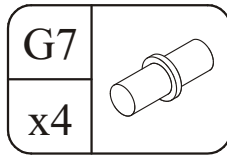
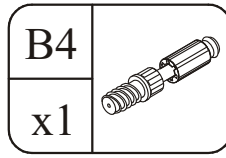
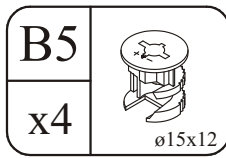
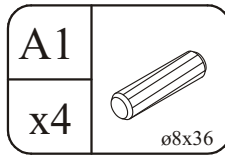
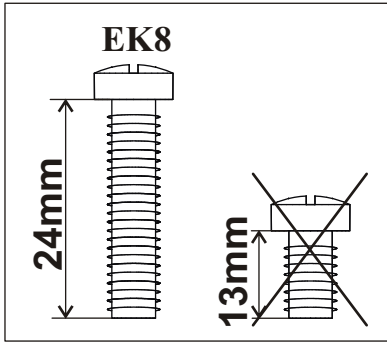
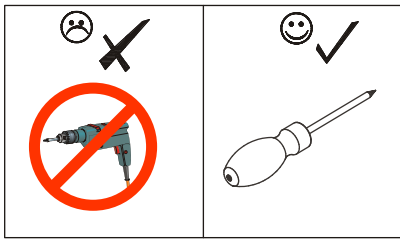
NO	Dim.		Col.-No	Qty
14	714	106	2	1
15	304	726	2	1
16	299	80	2	1
17	866	49	2	2
19	866	43	2	2
21	874	72	1	1
22	840	72	1	1
23	363	72	1	1
24	363	72	1	1
25	878	408	2	1
26	878	408	2	1



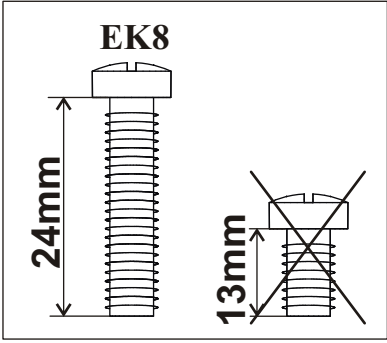
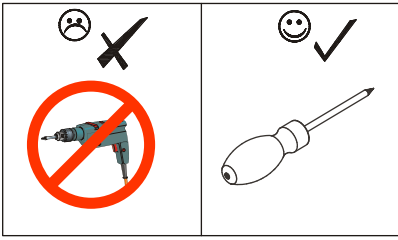
A1 x28  ø8x36	B4 x23 	B5 x23  ø15x12	G5 x23 	B11 x4  Ø7x50	B14 x19  Ø7x30
E17 x4  H=16	E13 x4 	E0 x4  H=11	EK8 x8  EKØ6,3x24	G4 x16 	G12 x7  Ø14
QU x1  L-300	D20 x4  ESØ6,3x9,5	D10 x12  USØ3,5x13	H1 x4 	EK6 x8  EKØ6,3x13	G7 x8 
C19 x3 	D34 x2  M4x16	D4 x4  M4x30	KM1 x1 	UP13 x6  UPØ3x16	G20 x2 
I2 x6 	S1 x14 	UP6 x2  UPØ4x30	L1 x1 	KR1 x1 	G2 x1 



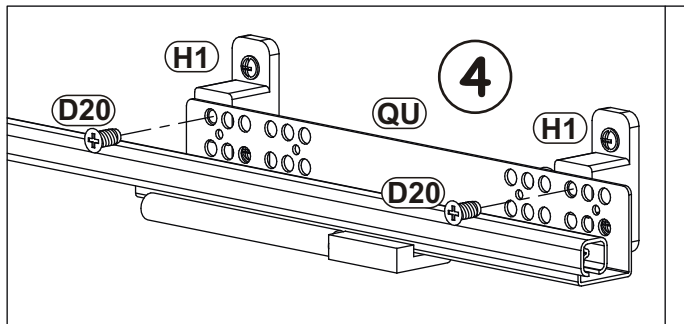
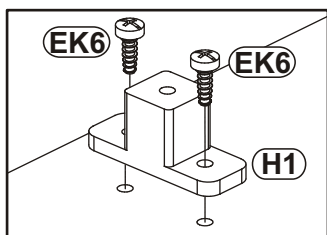
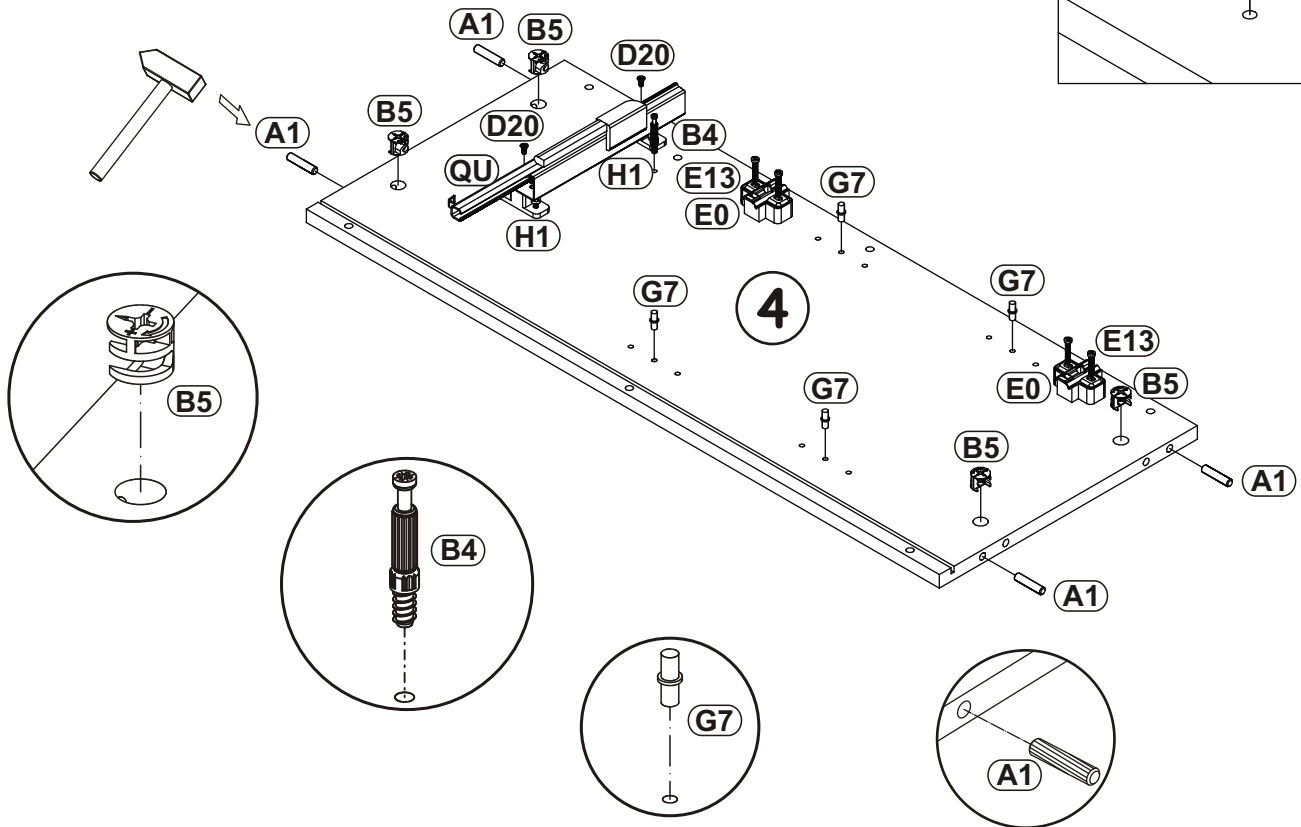
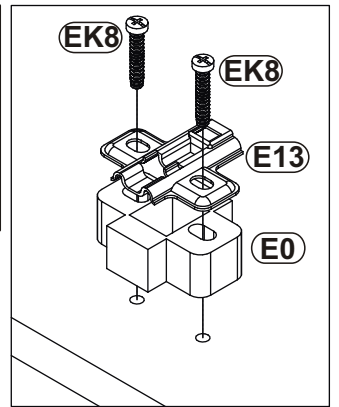
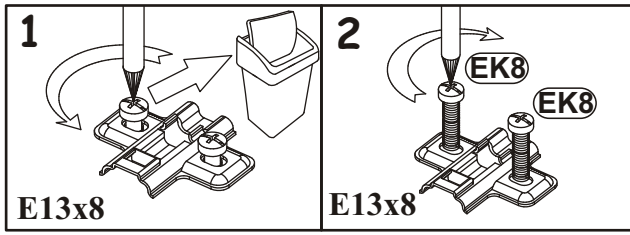
1



2

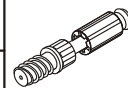


A1 x4	ø8x36	B5 x4	ø15x12	B4 x1		G7 x4	
QU x1	L-300	D20 x2	ESØ6,3x9,5	H1 x2		EK6 x4	EKØ6,3x13
E13 x2		E0 x2		EK8 x4	EKØ6,3x24		

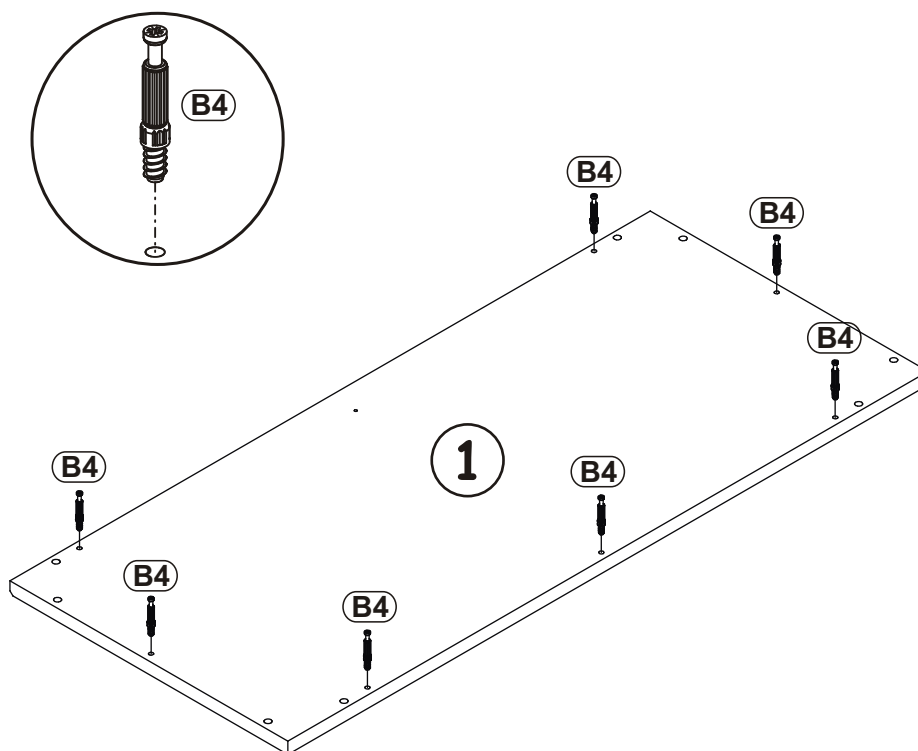


B4

x7



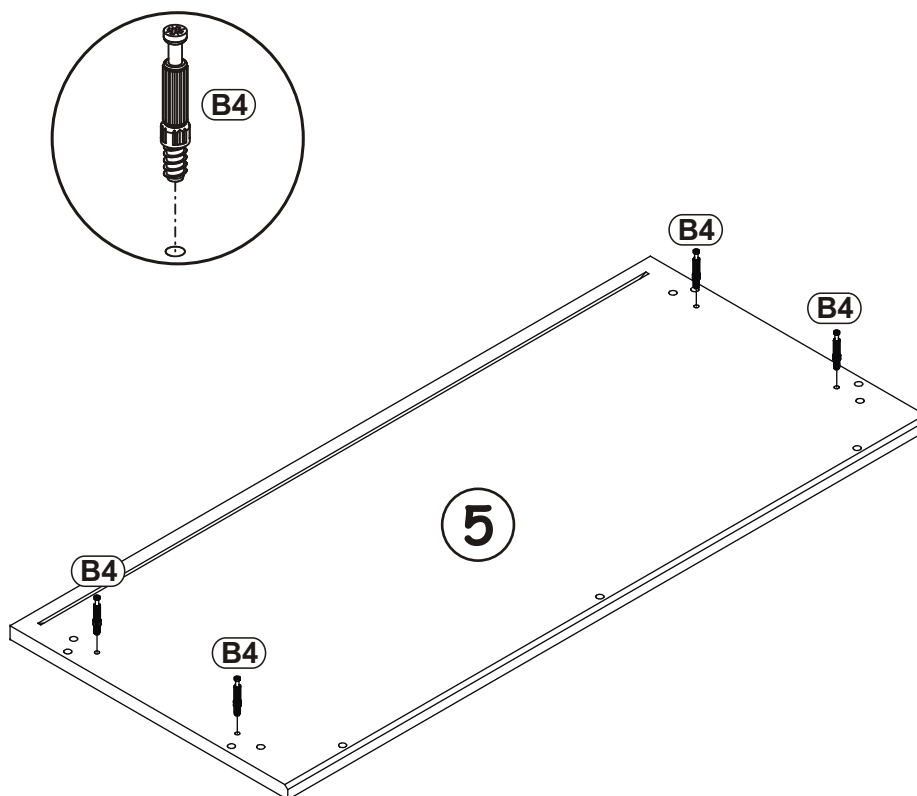
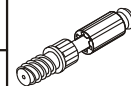
3

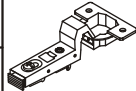
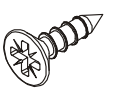


4

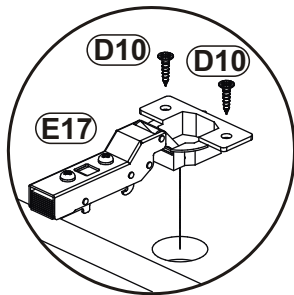
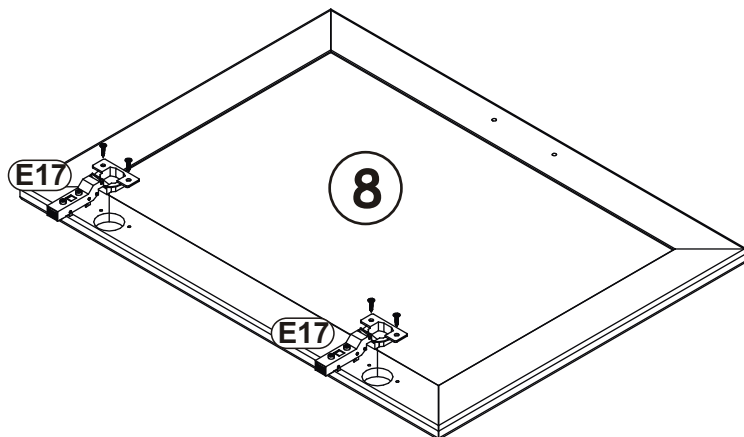
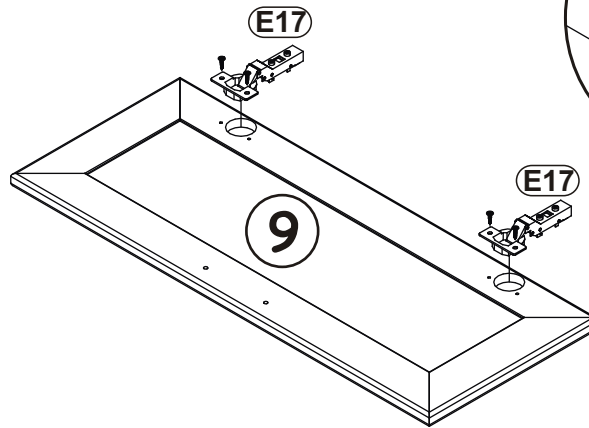
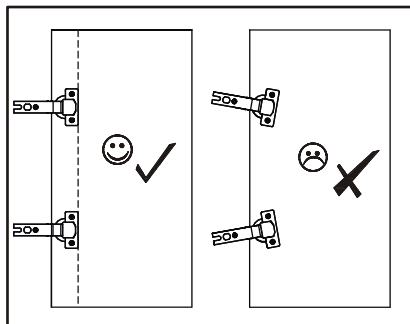
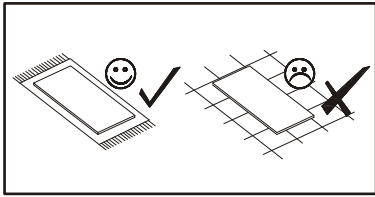
B4

x4

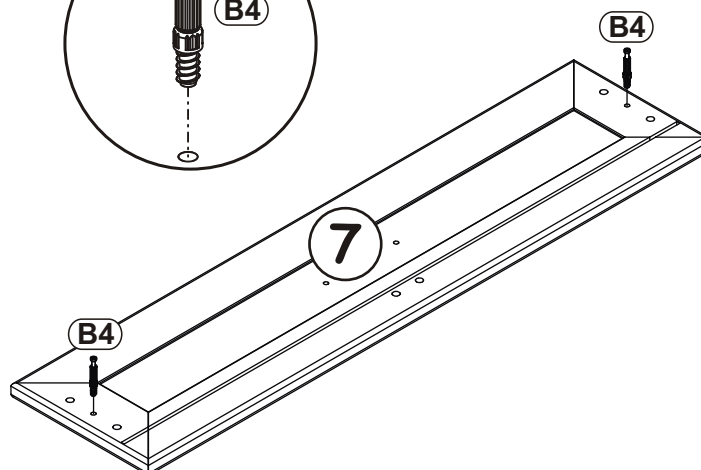
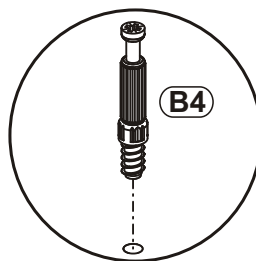
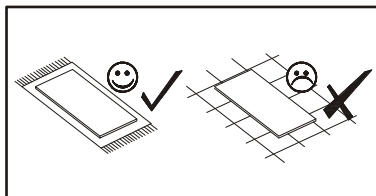


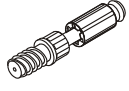
E17		D10	
x4	H=16	x8	USØ3,5x13

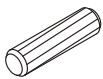
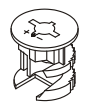
5



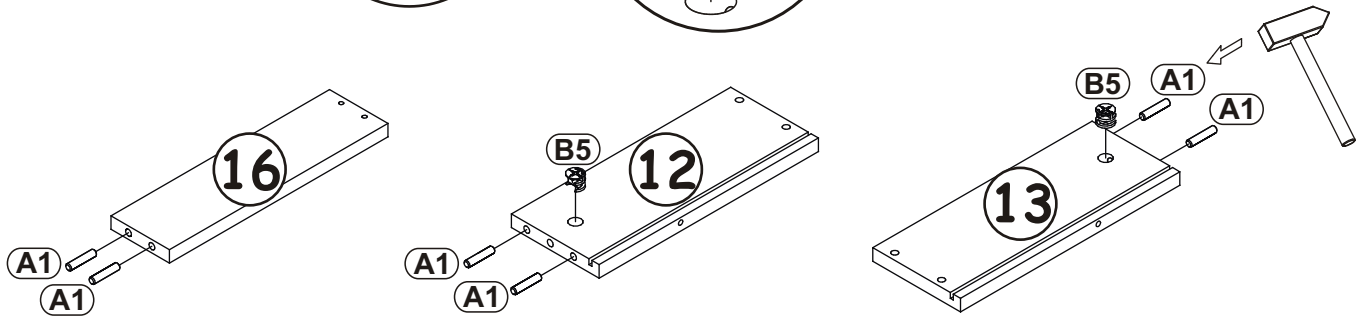
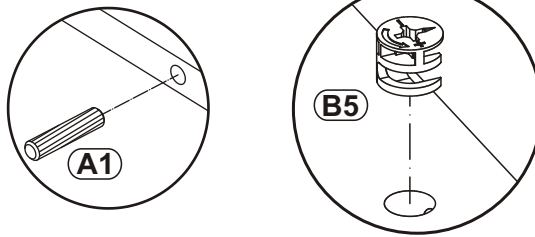
6



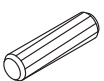
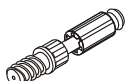

B4	
x2	

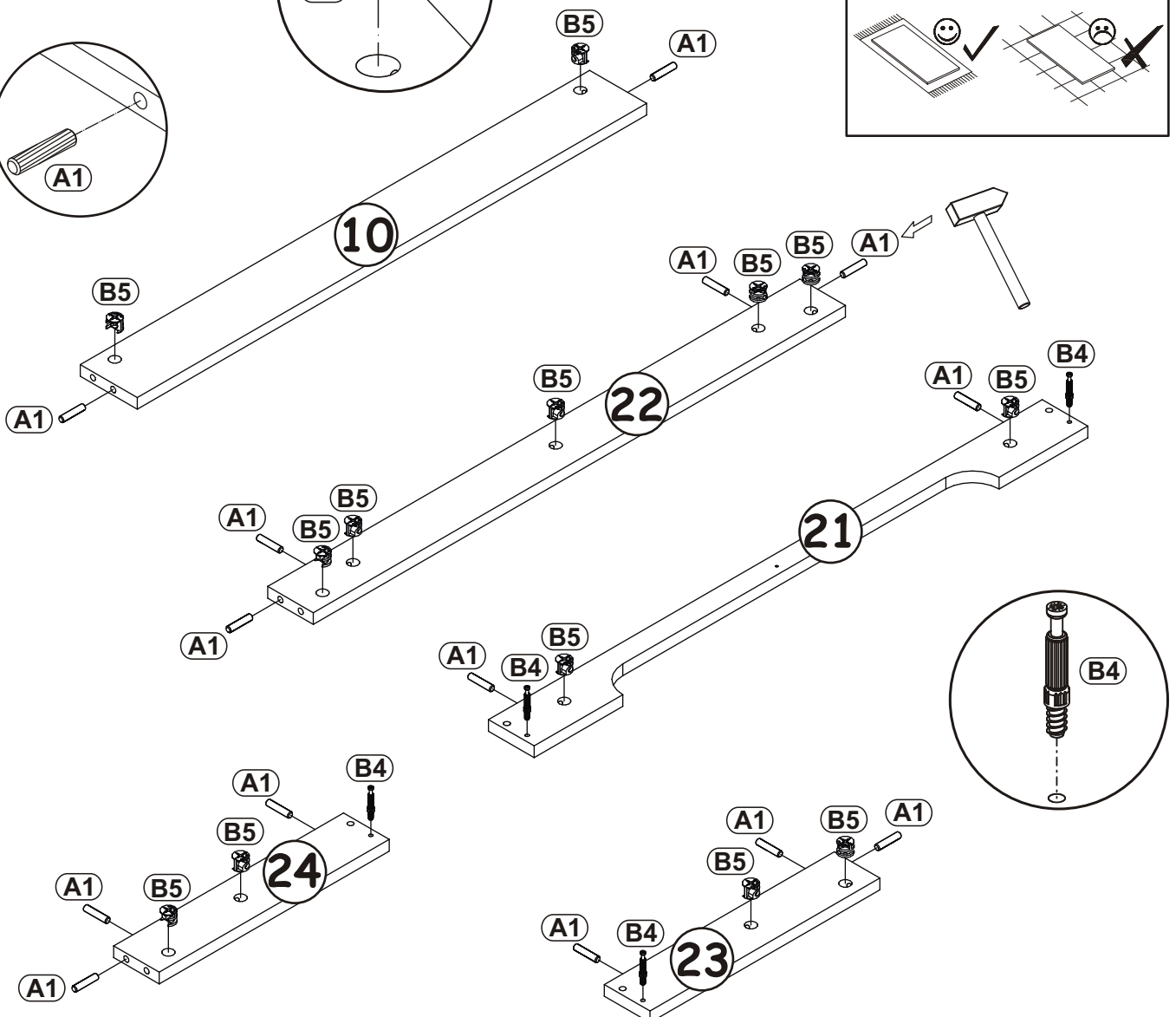
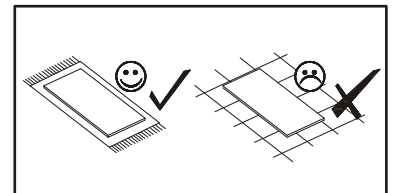
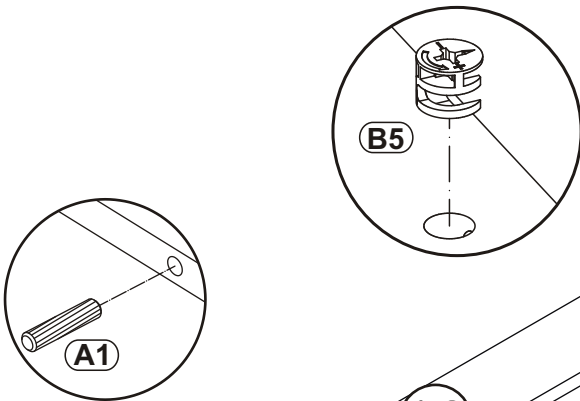
A1		B5	
x6	ø8x36	x2	ø15x12

7



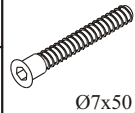

8

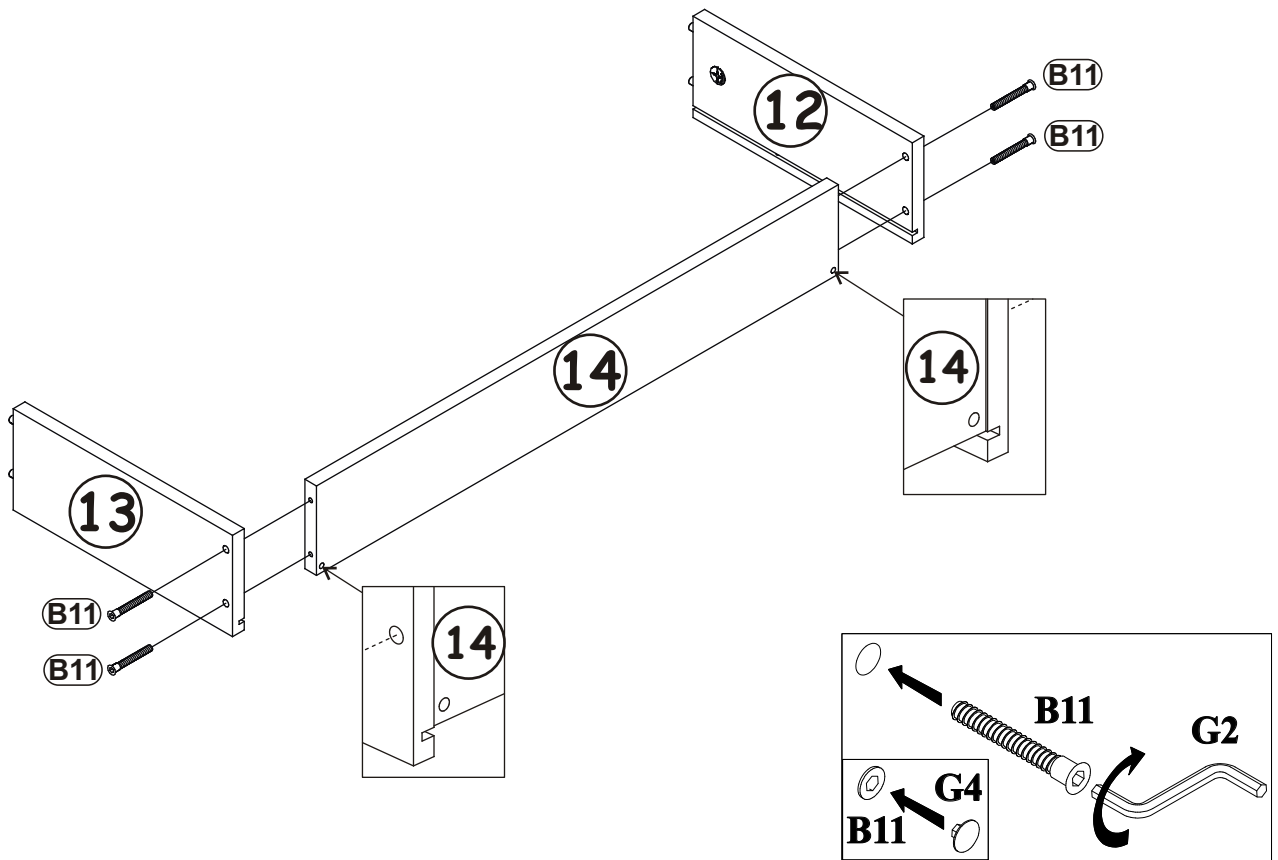
A1		B4		B5	
x14	ø8x36	x4		x13	ø15x12






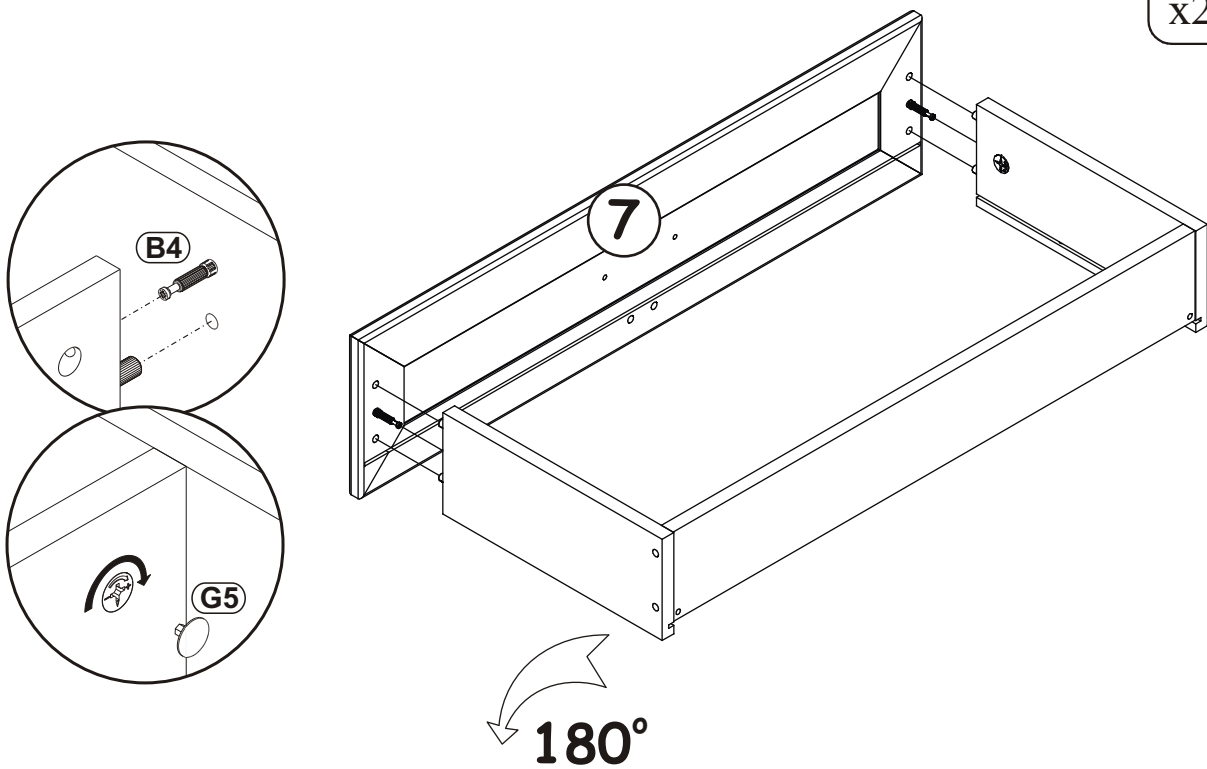
9

B11		G4	
x4	Ø7x50	x4	

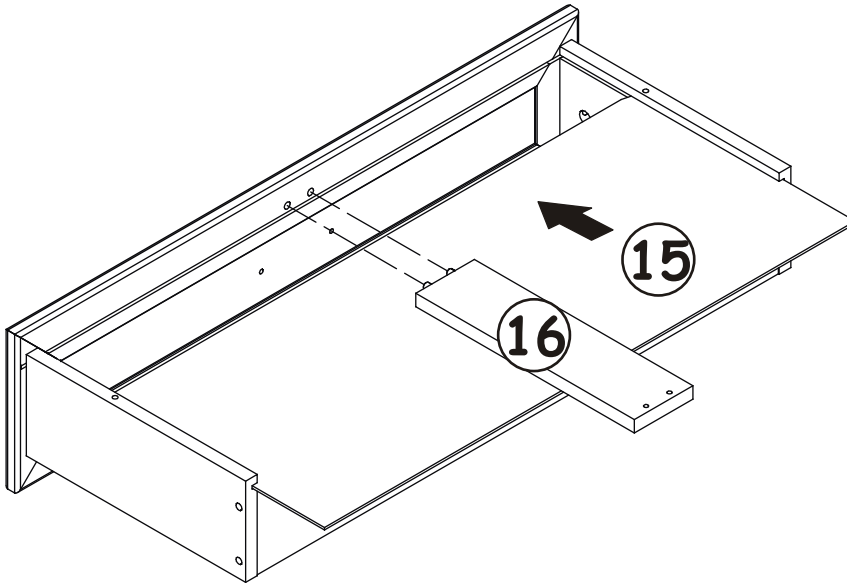


10

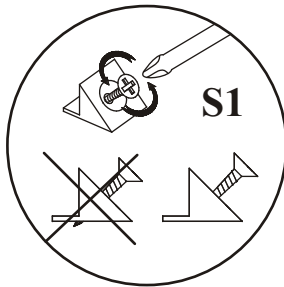
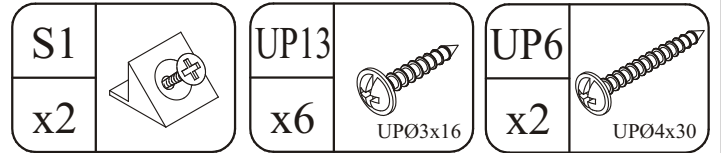
G5	
x2	



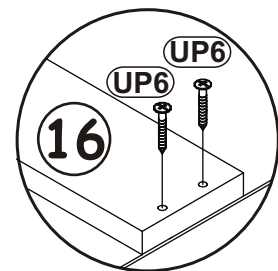
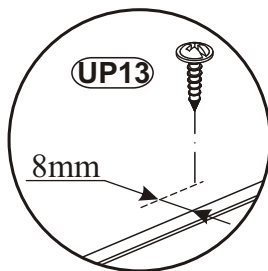
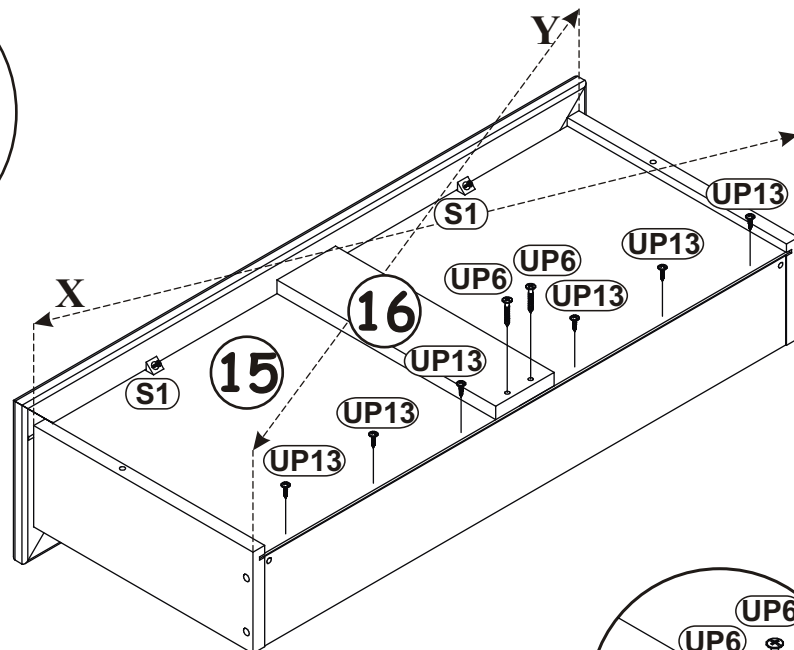
11





12

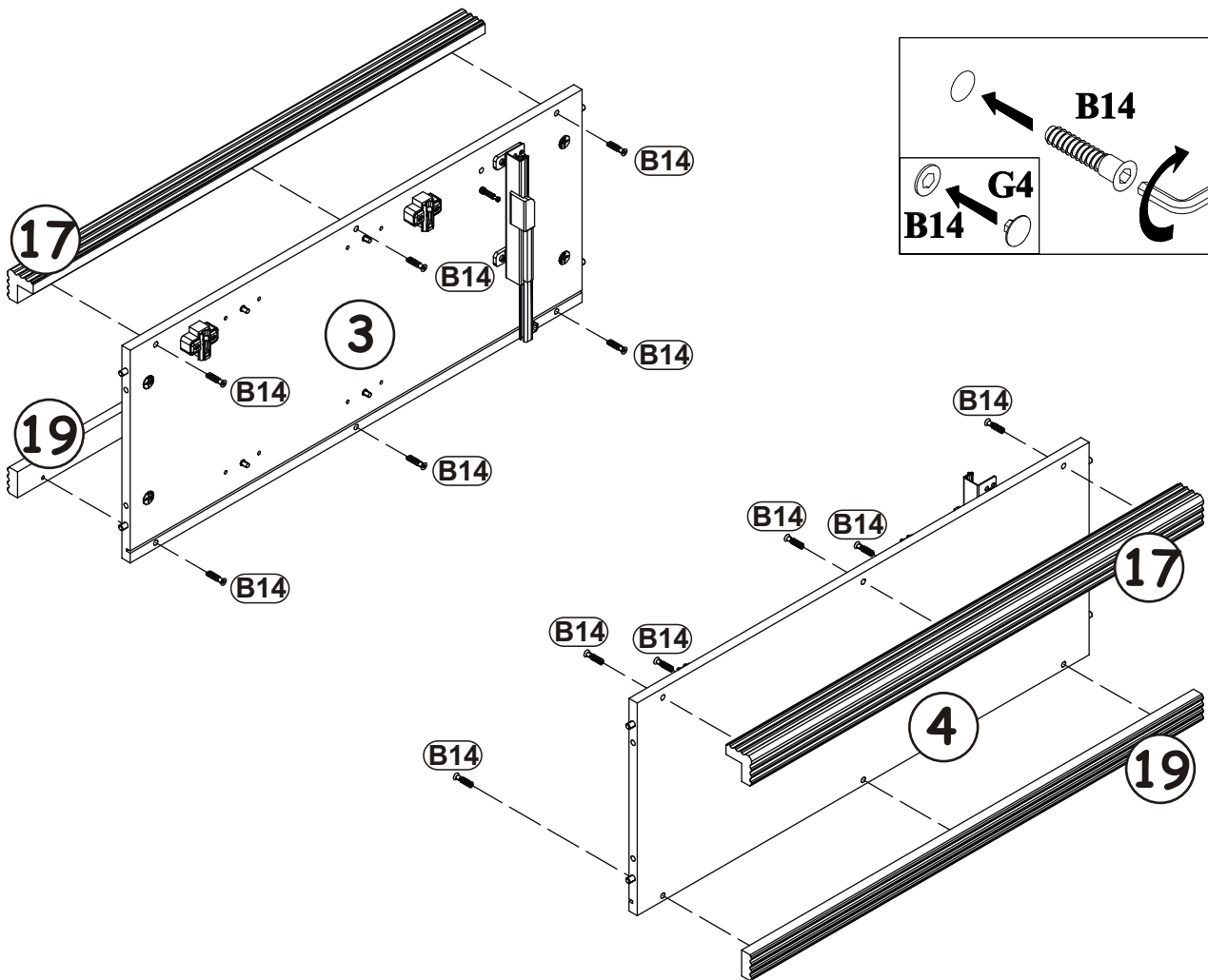


X=Y  $\uparrow$  90°




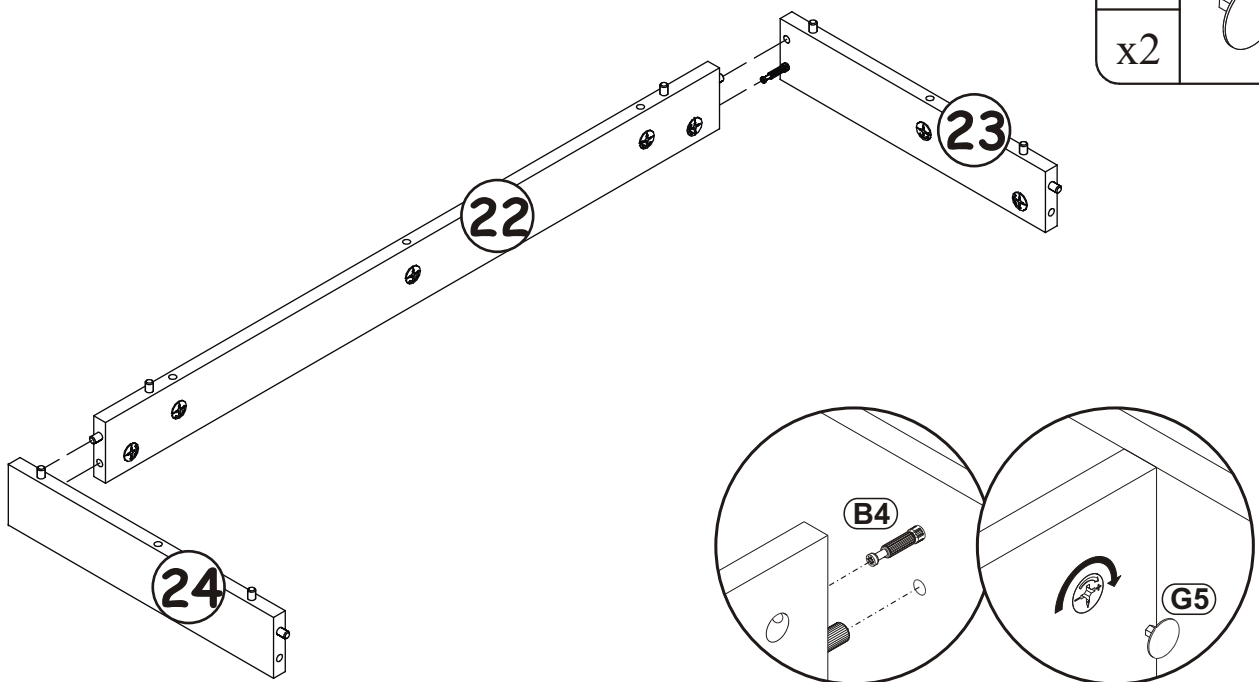
13

B14		G4	
x12	Ø7x30	x12	




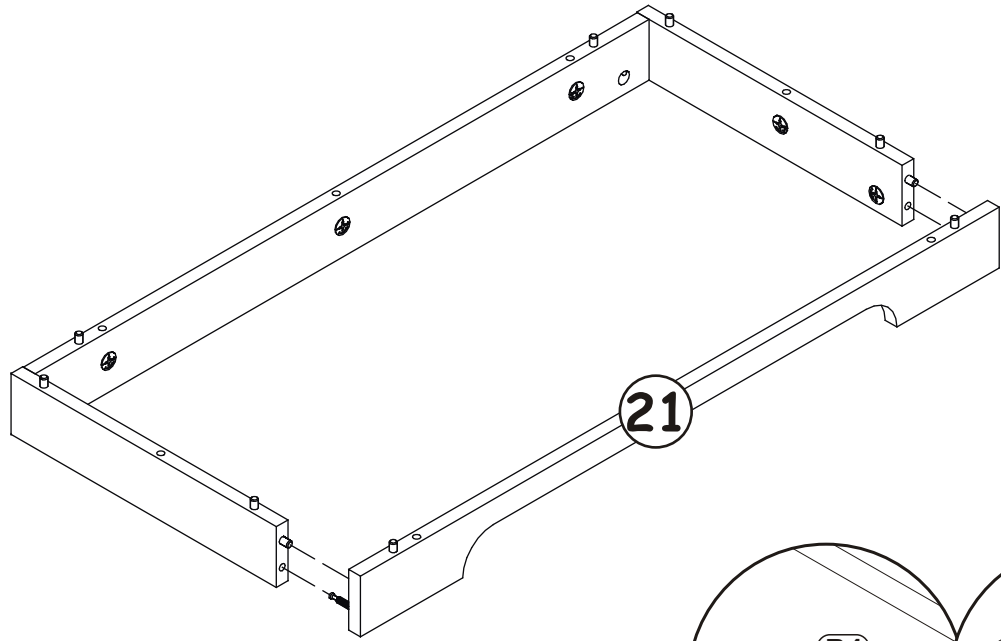
14

G5	
x2	

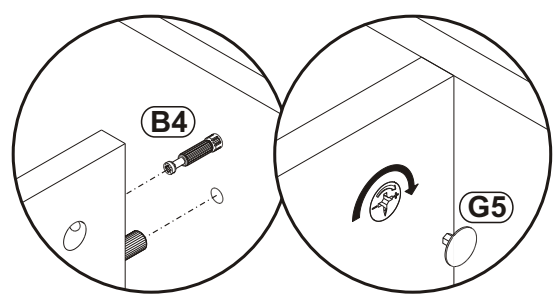



15


G5	
x2	

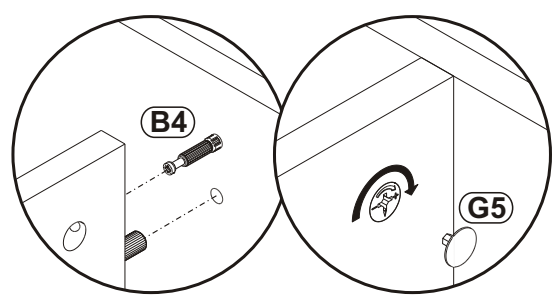
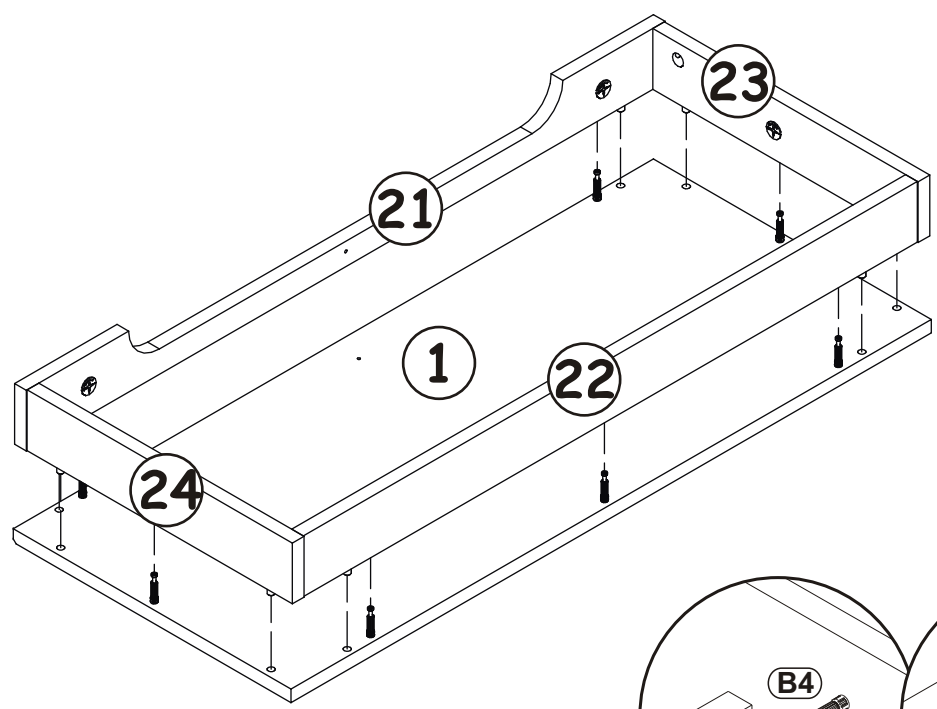


180°

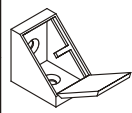




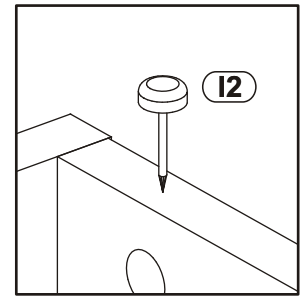
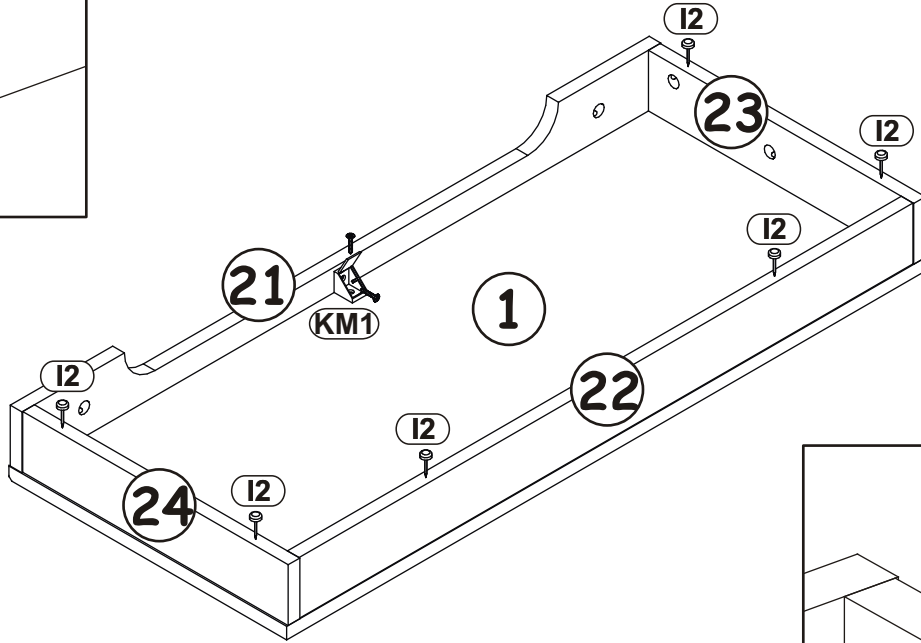
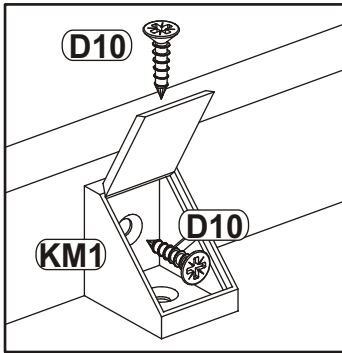
16

G5	
x7	

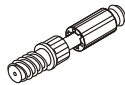
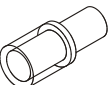


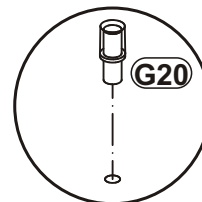
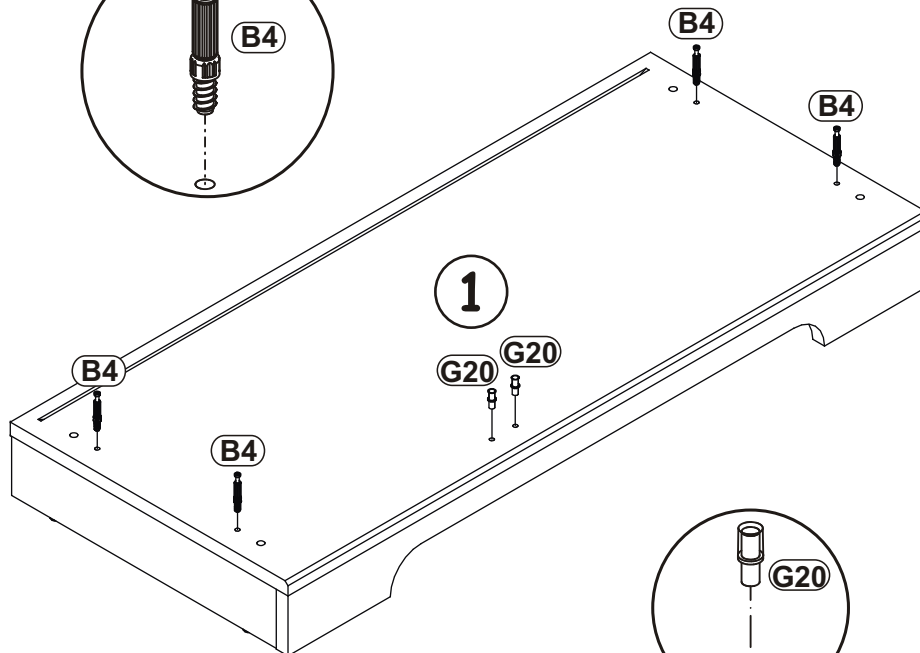
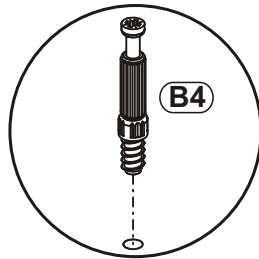
17

KM1		D10		I2	
x1		x2	USØ3,5x13	x6	

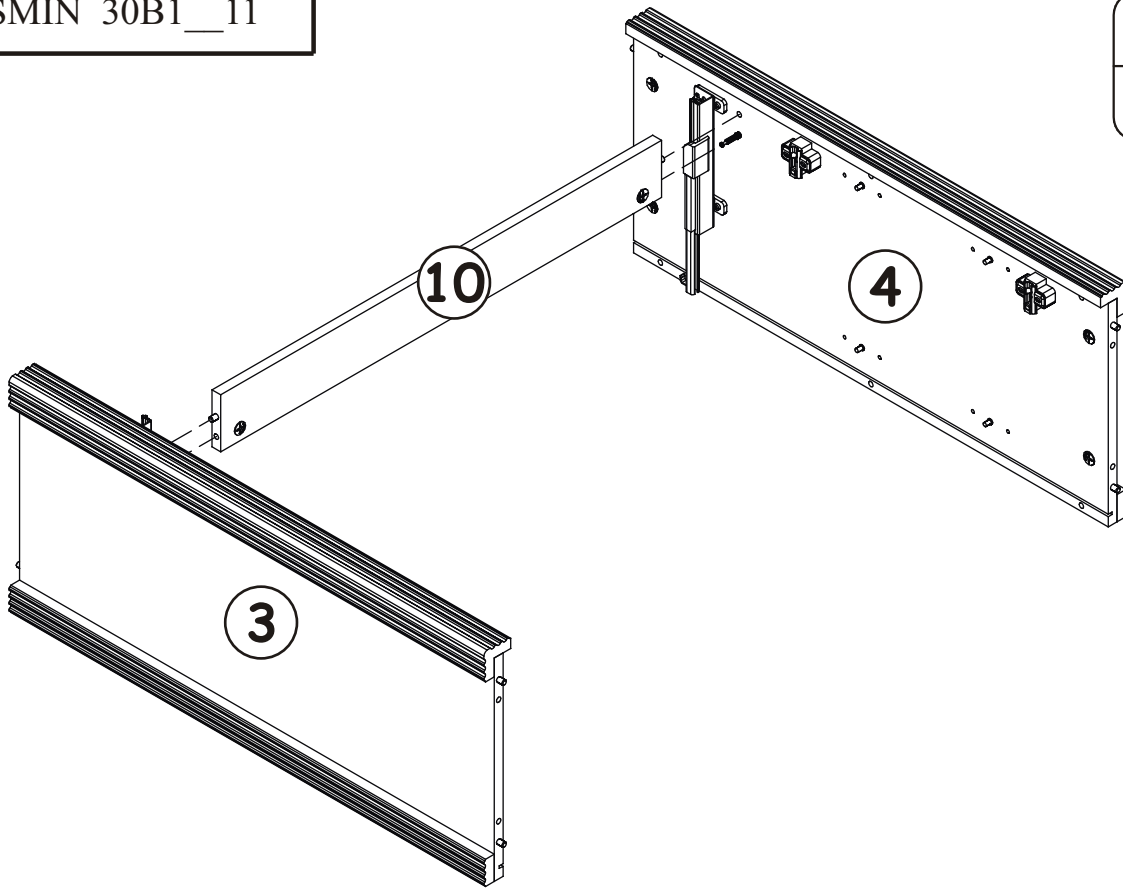



18

B4		G20	
x4		x2	

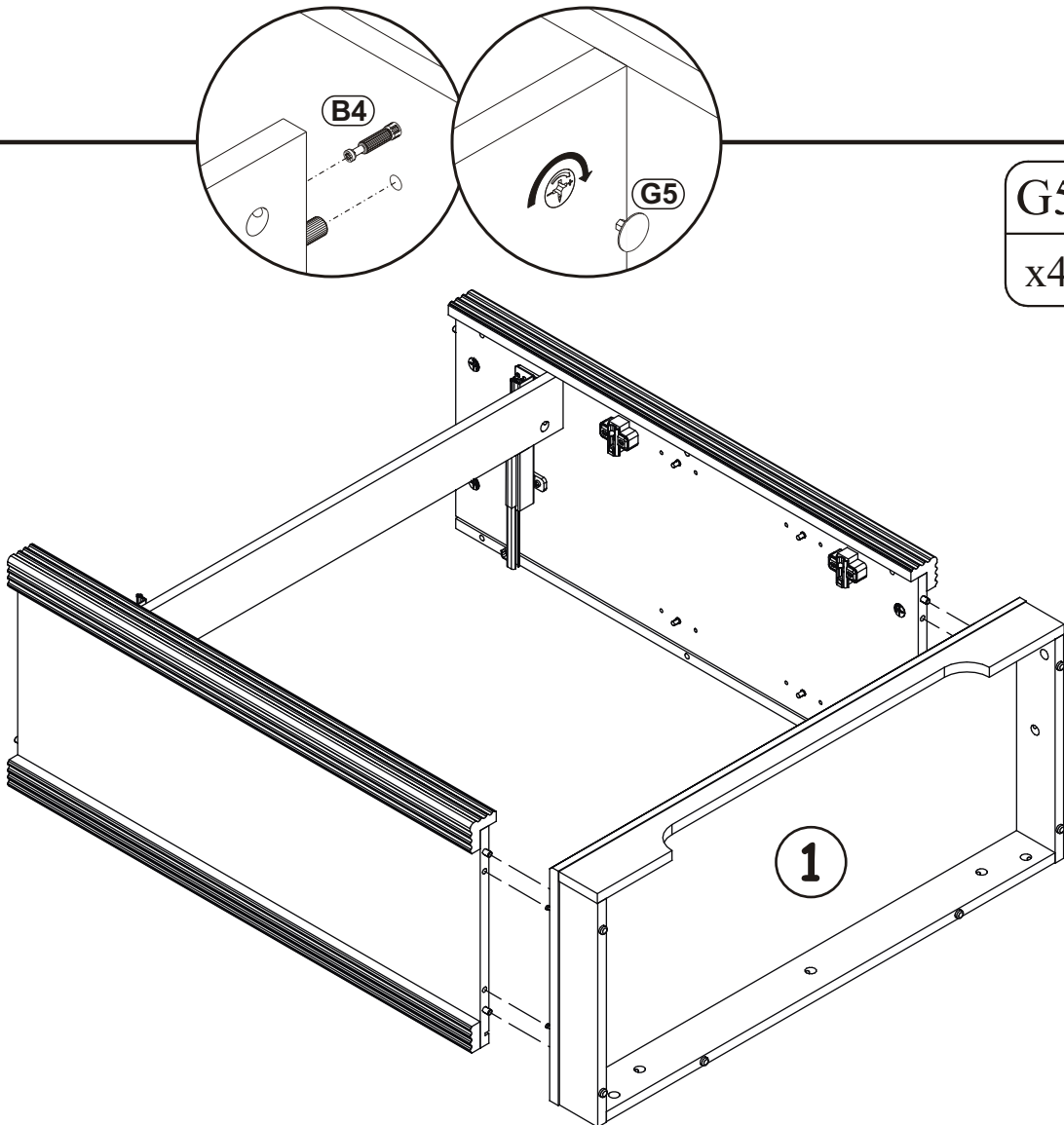



19



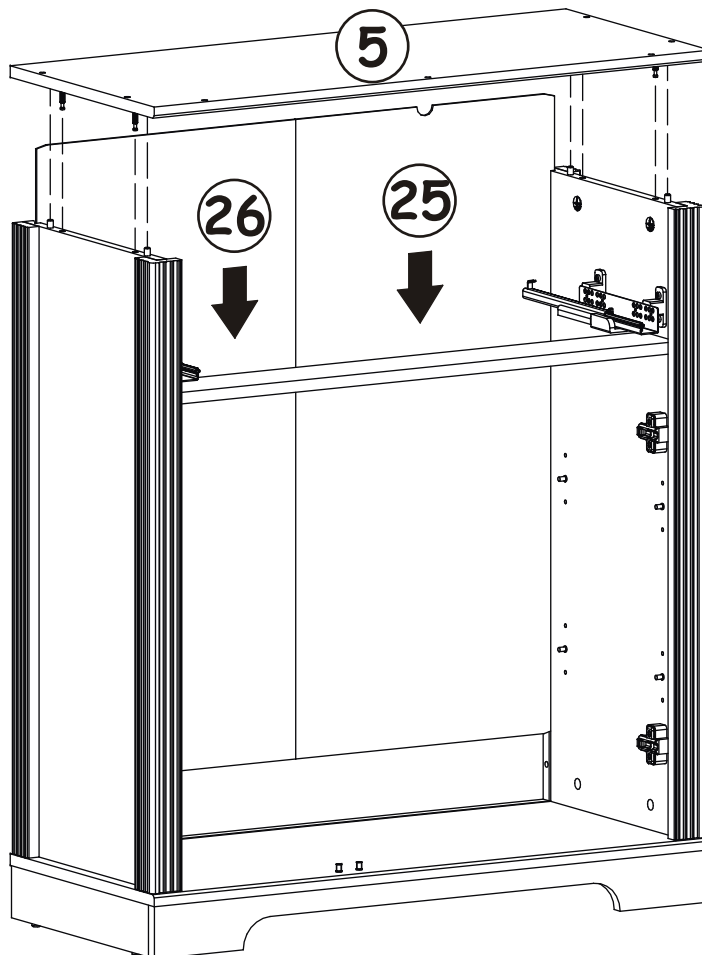
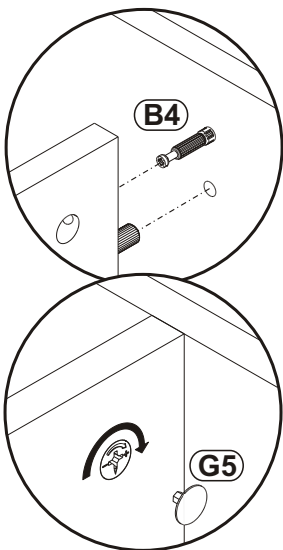
G5	
x2	

20



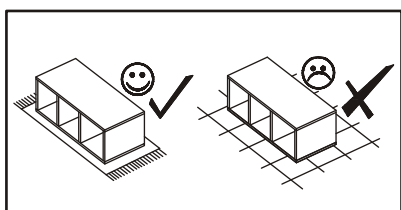
G5	
x4	

21



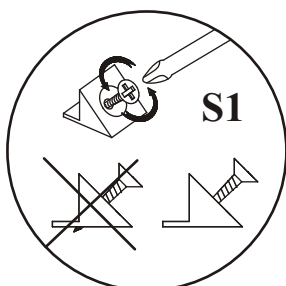
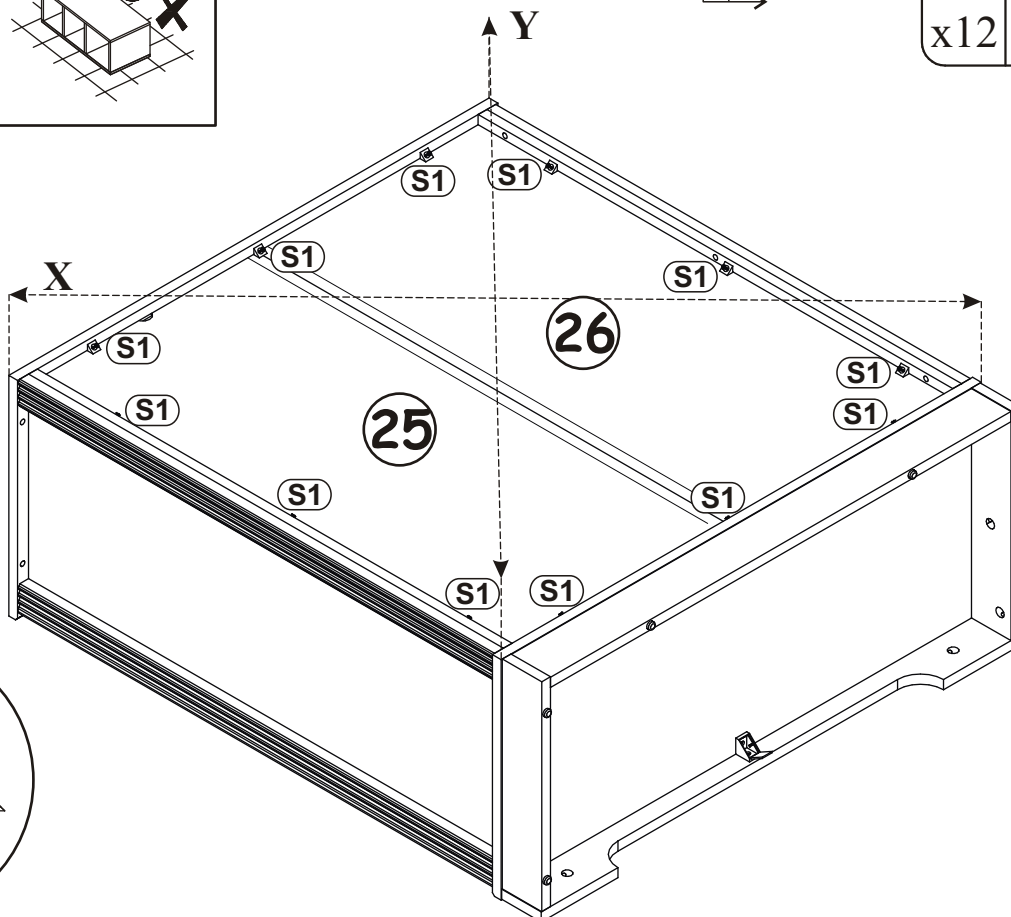
G5	
x4	

22

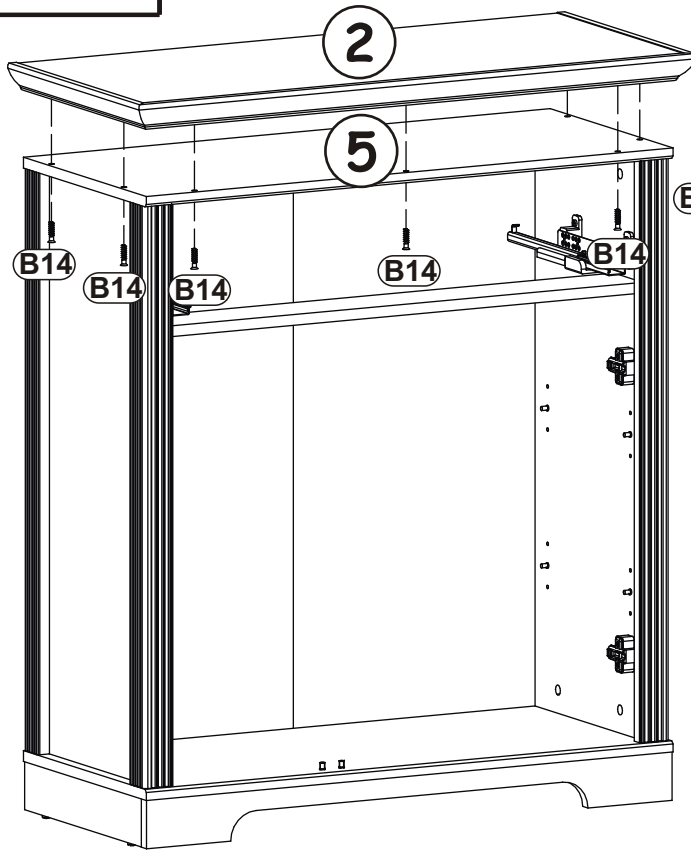




$X=Y$   $90^\circ$

S1	
x12	

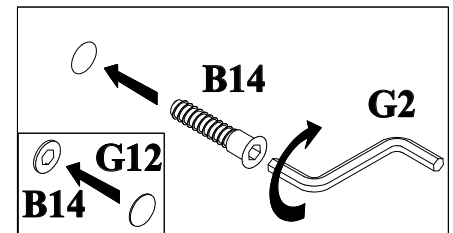
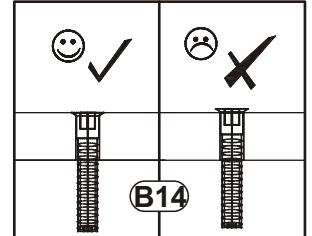


23

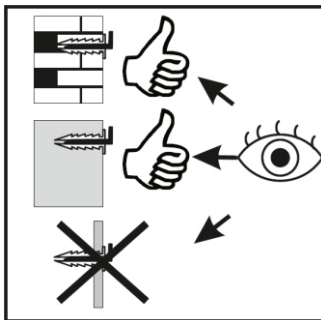


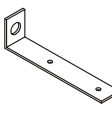
B14		G12	
x7	Ø7x30	x7	Ø14

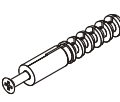
B14  
B14




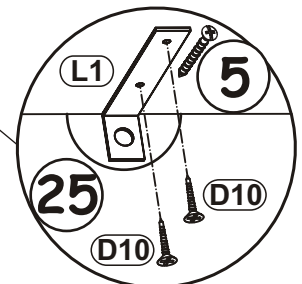
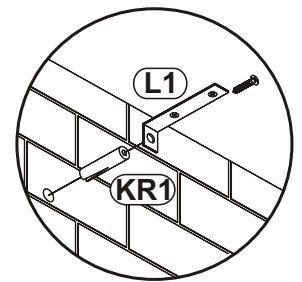
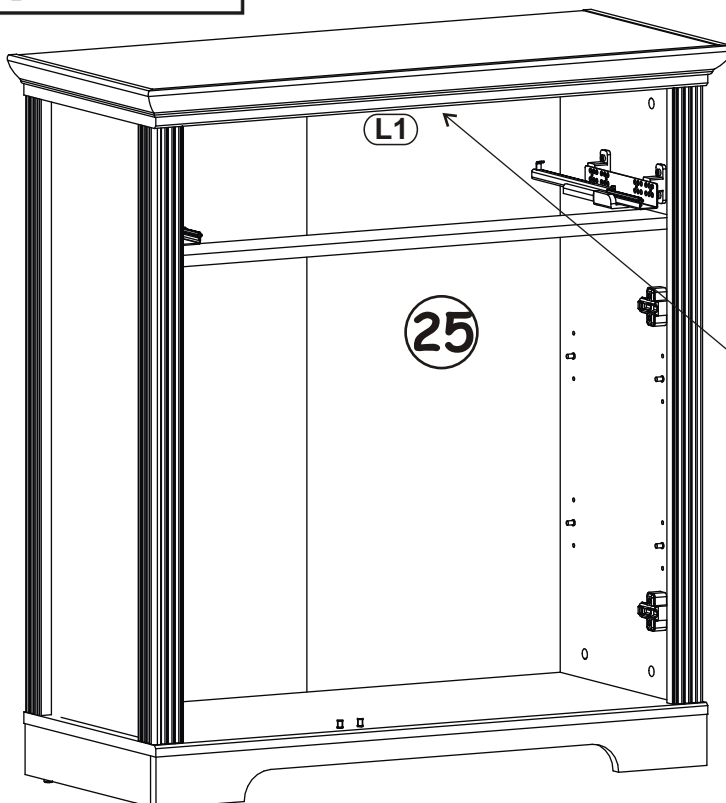
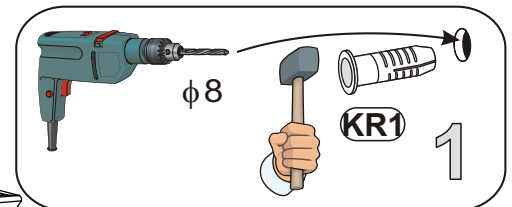
24



L1	
x1	

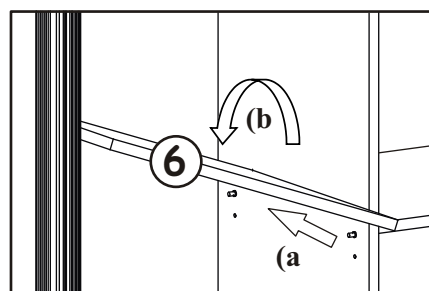
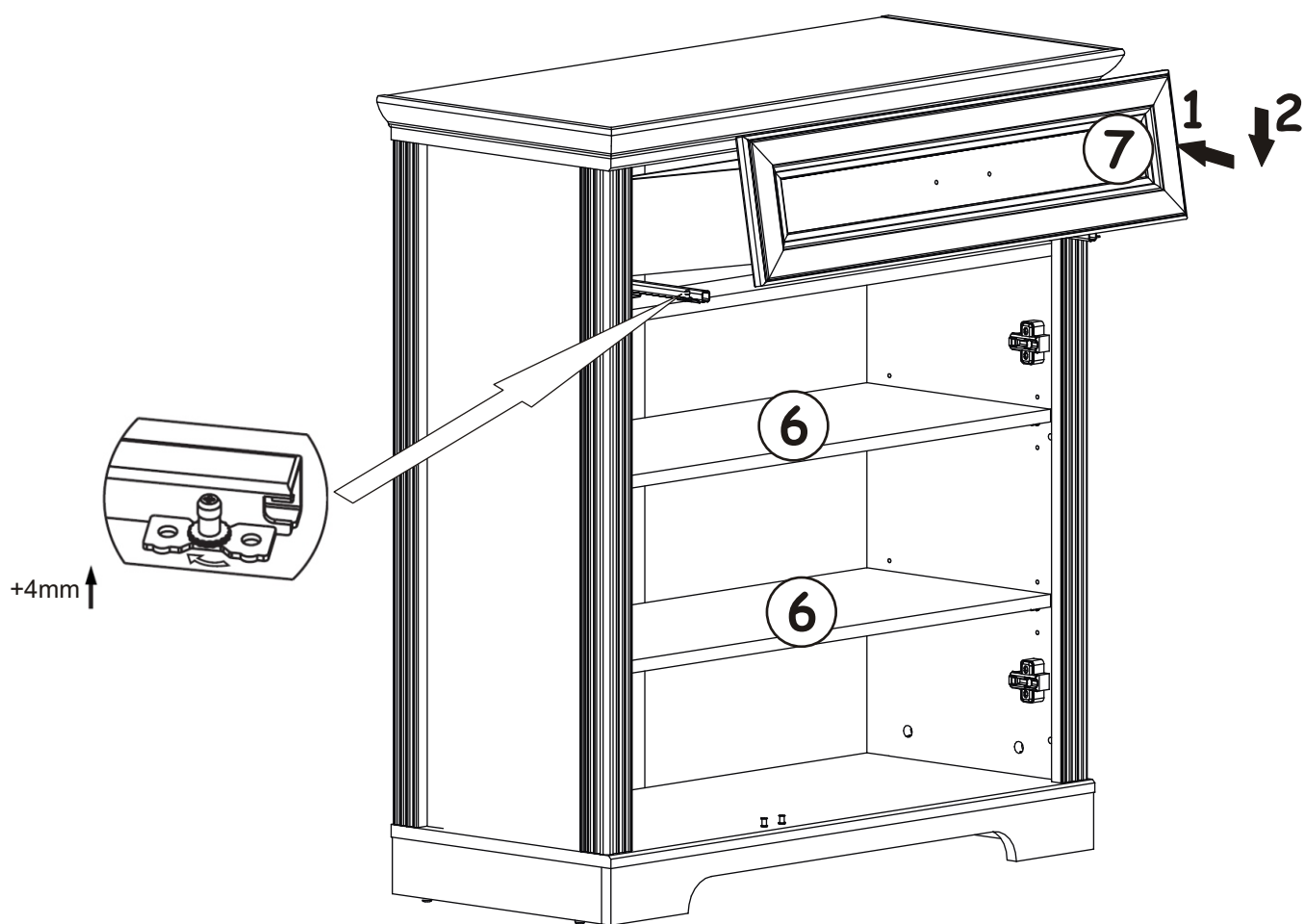
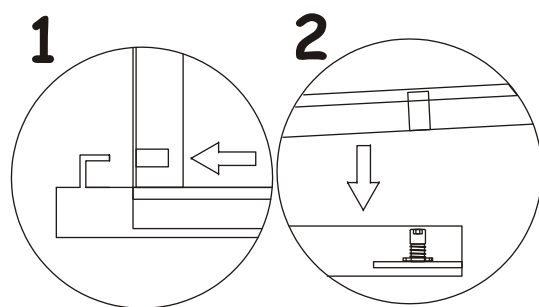
KR1	
x1	

D10	
x2	USØ3,5x13

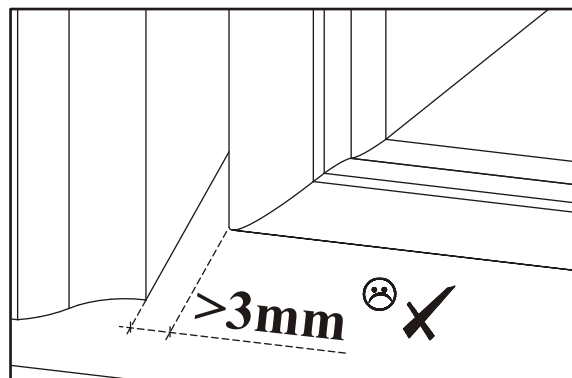
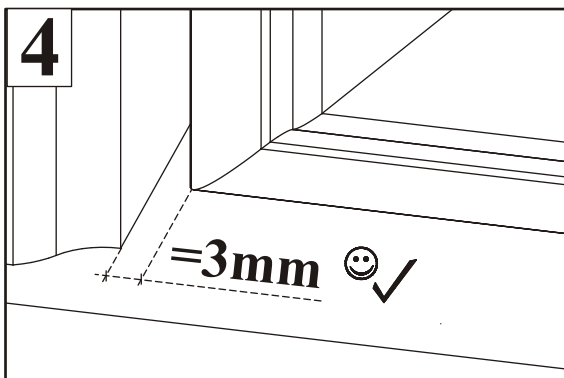
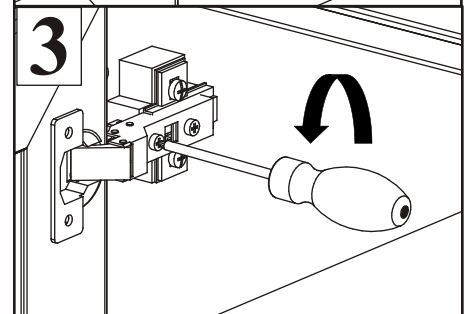
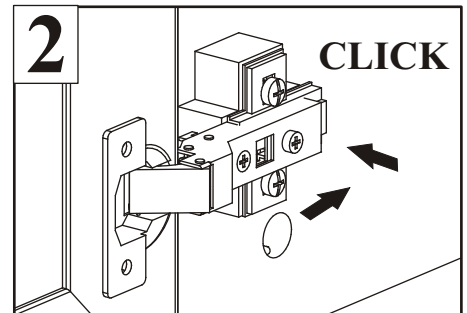
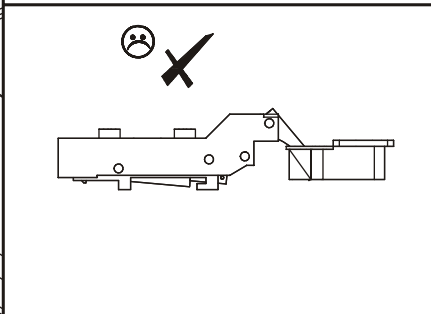
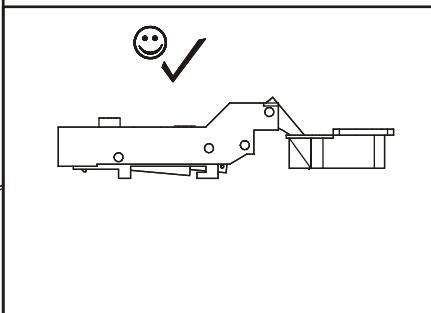
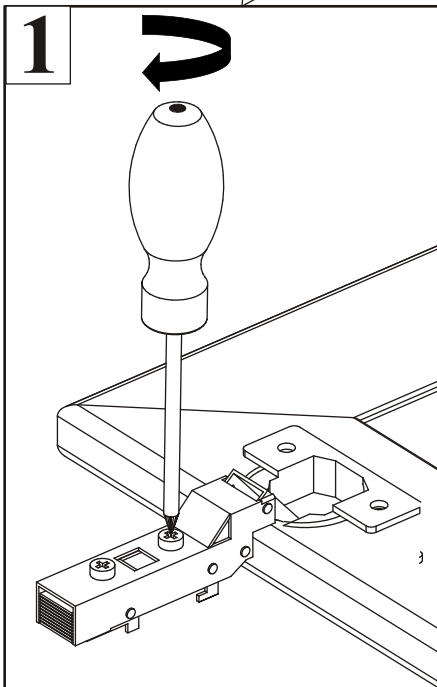
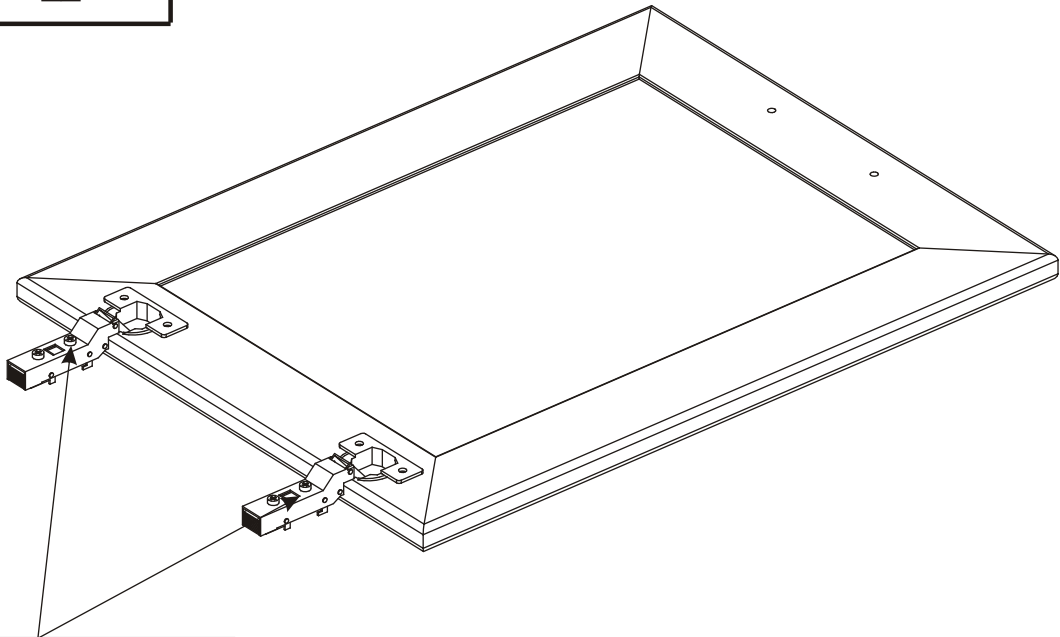




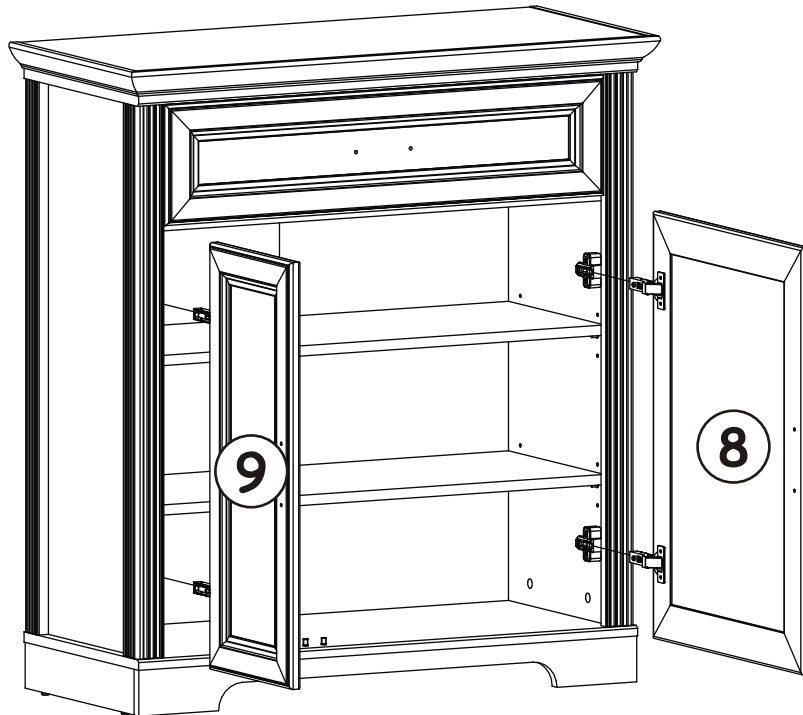
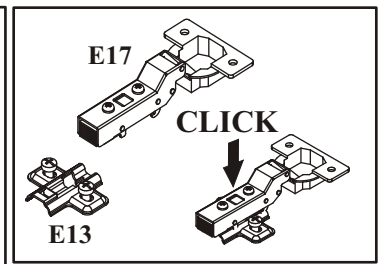
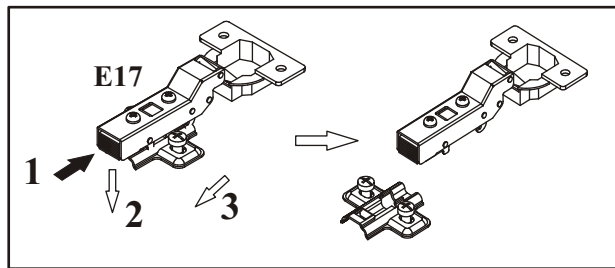
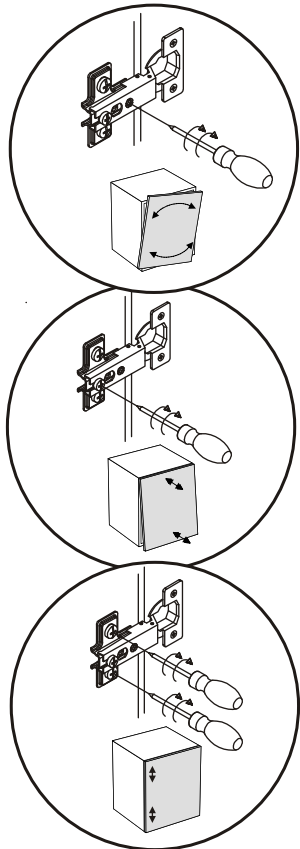
25



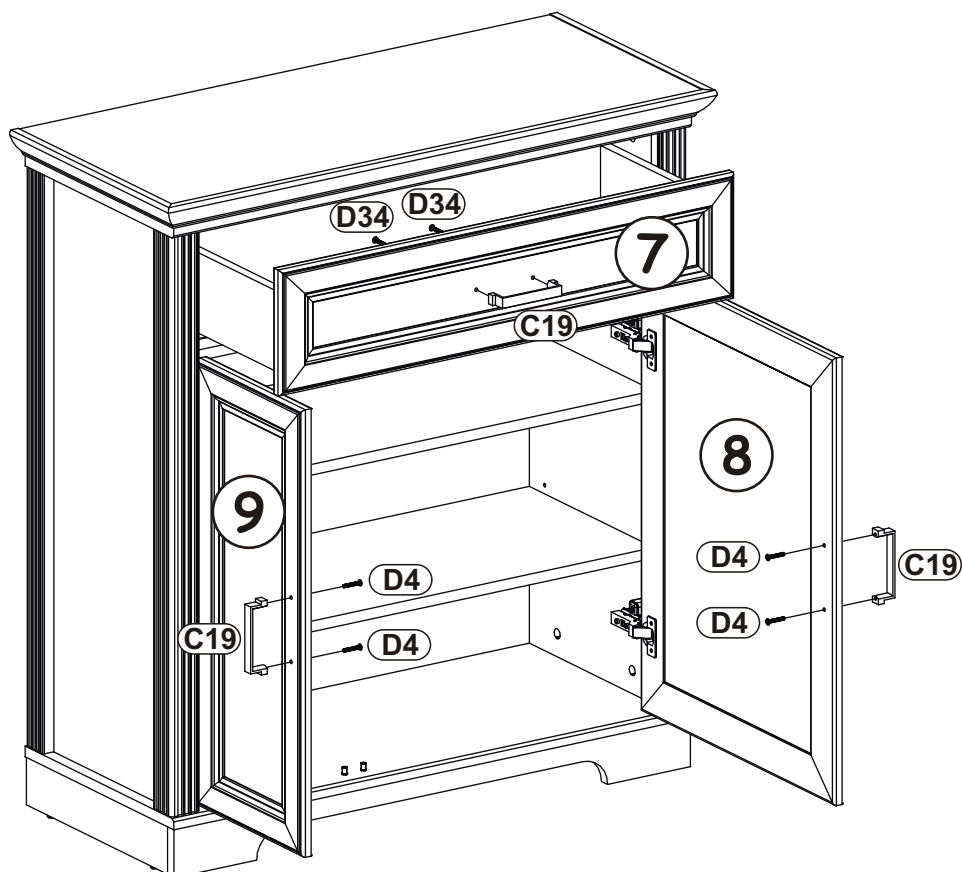
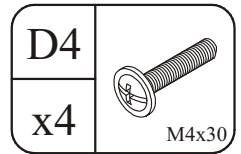
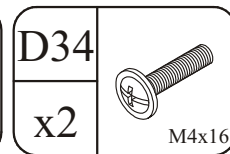
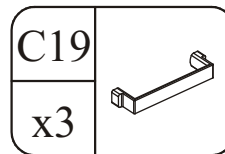
26



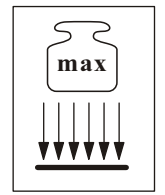
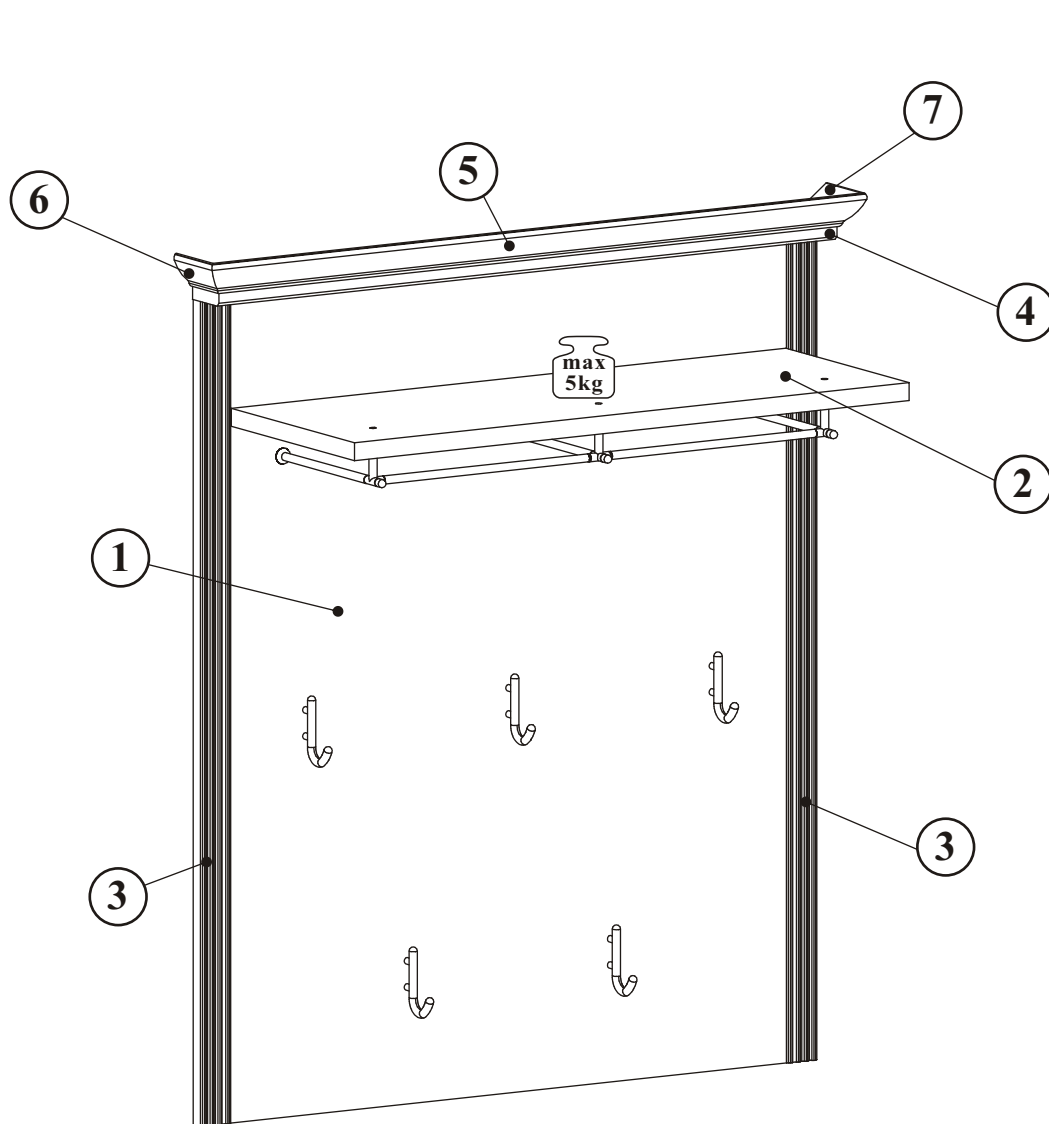
27



28

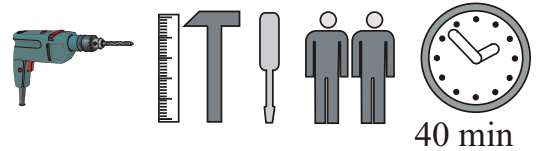


# JASMIN 30B1\_41

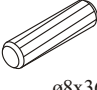



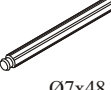
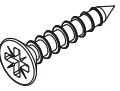



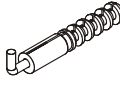
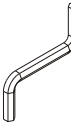
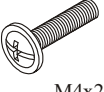
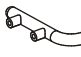

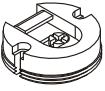
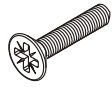
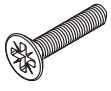


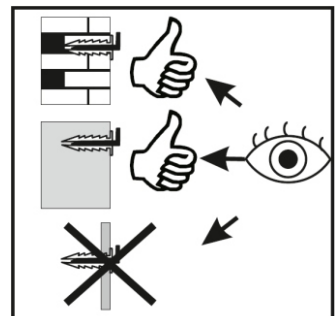
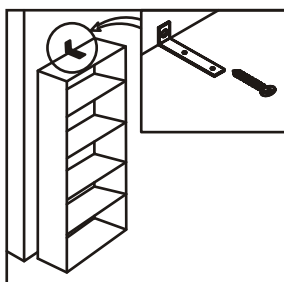
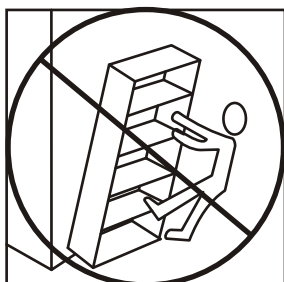
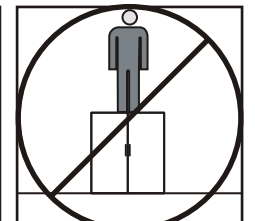
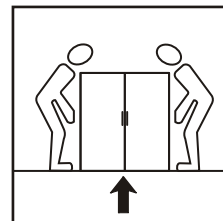
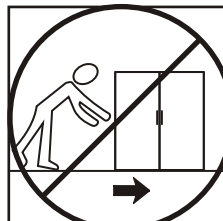
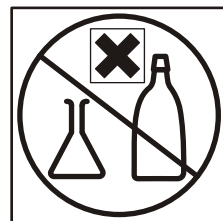
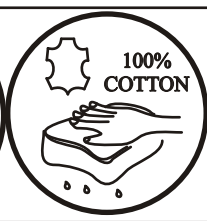
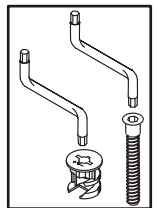
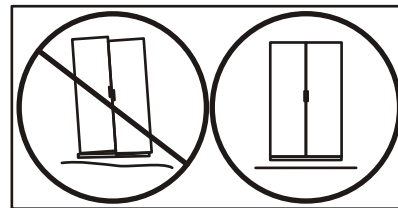
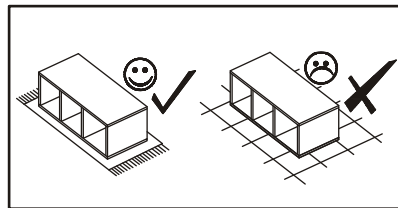
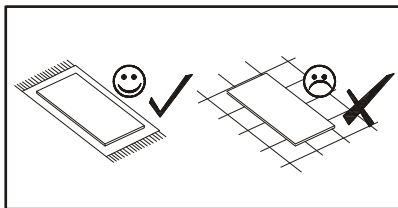
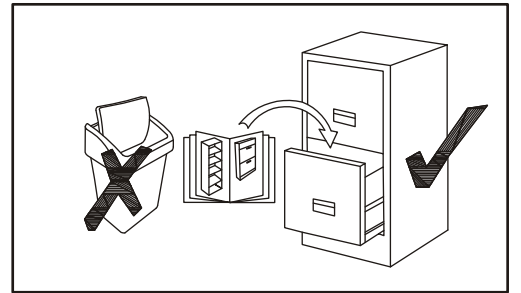
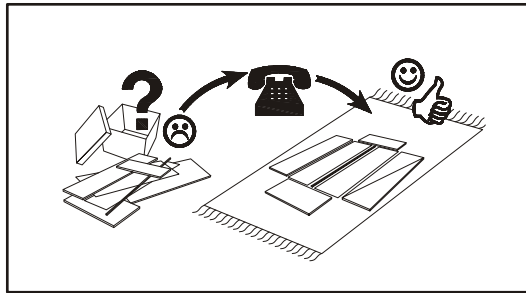
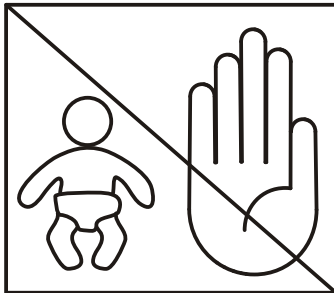
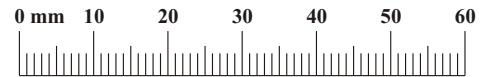
max  
5kg

NO	Dim.		Col.-No	Qty
1	1008	788	1	1
2	786	280	1	1
3	1008	43	1	2
4	876	60	1	1
5	929	67	1	1
6	86	67	1	1
7	86	67	1	1

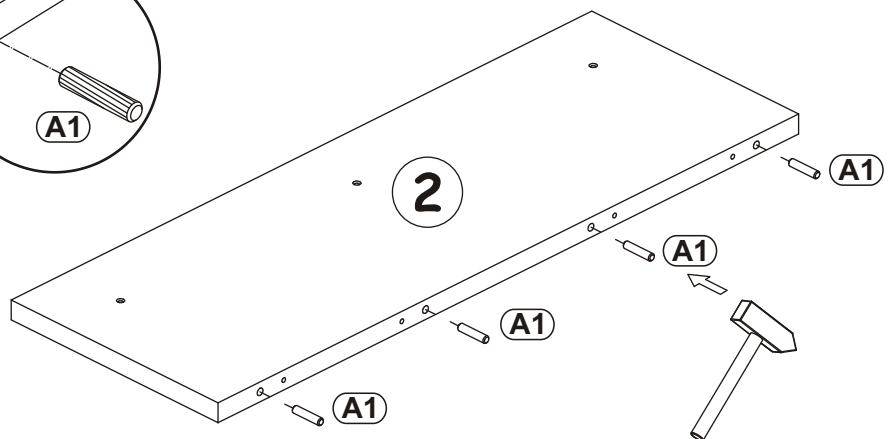
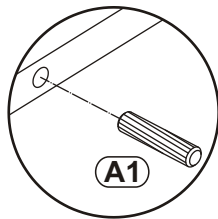
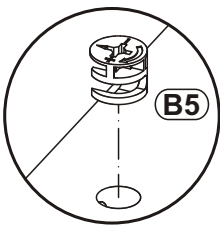
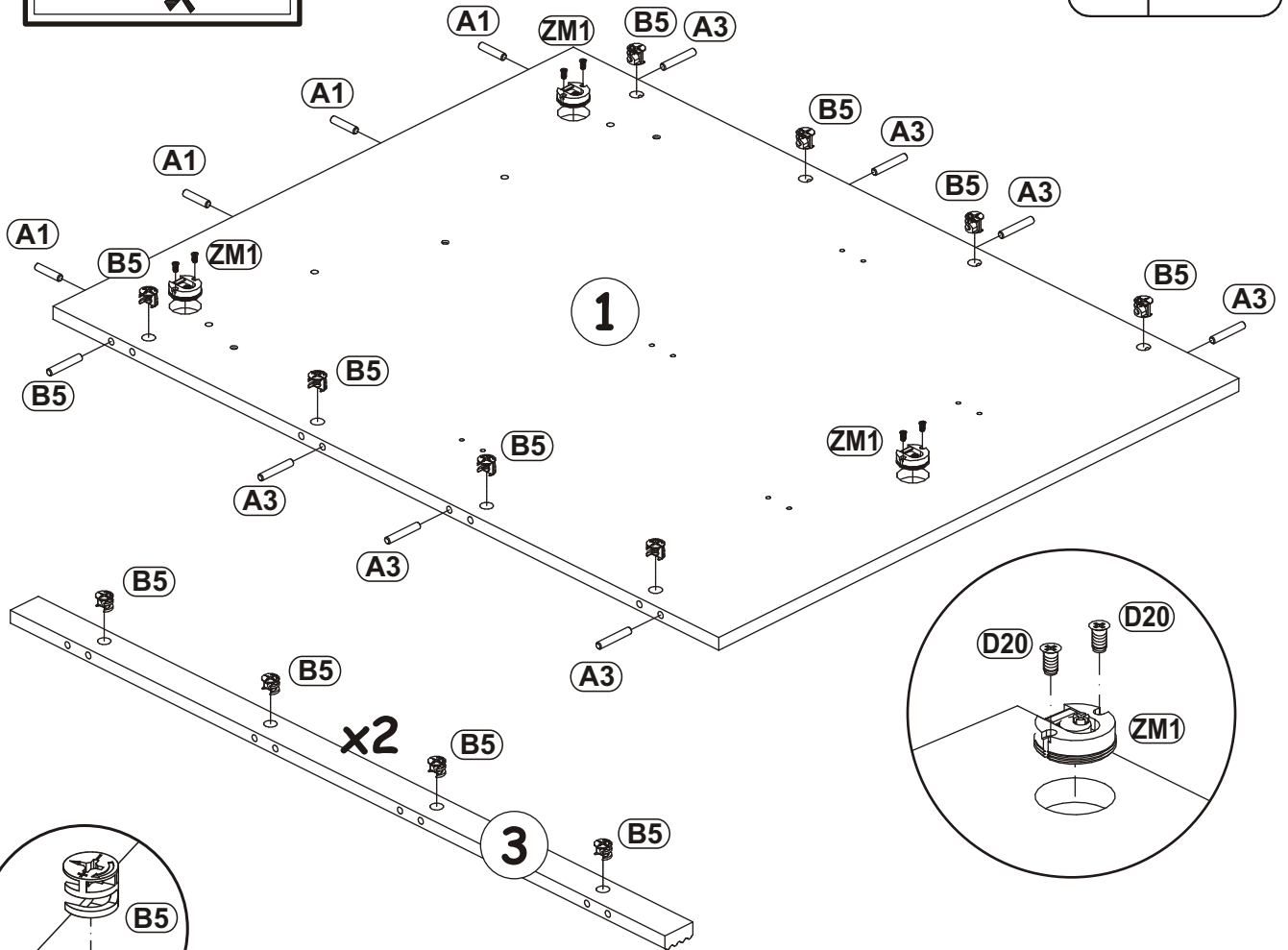
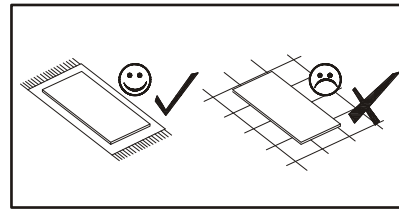
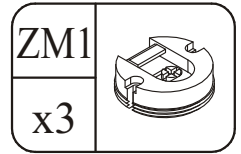
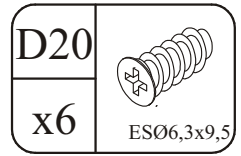
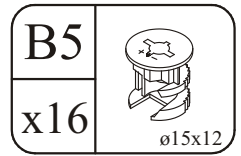
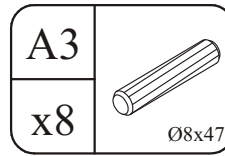
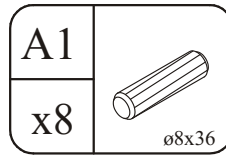
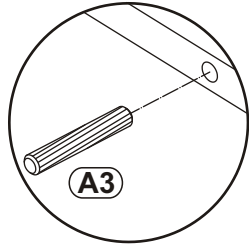
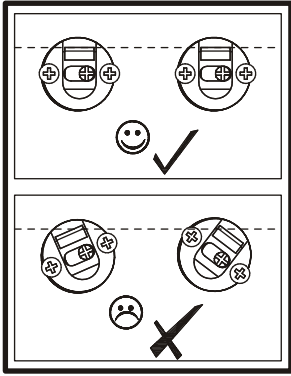


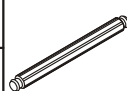
40 min


A1 x8  Ø8x36	A3 x8  Ø8x47	B5 x16  Ø15x12	G5 x16 	B9 x8  Ø7x48	D9 x8  USØ3x20
B11 x8  Ø7x50	G4 x8 	D20 x6  ESØ6,3x9,5	KR2 x3 	G2 x1 	D5 x10  M4x25
W23 x5 	W20 x1 	ZM1 x3 	DS6 x3  WSM4x25	WS3 x3  WS4x30	



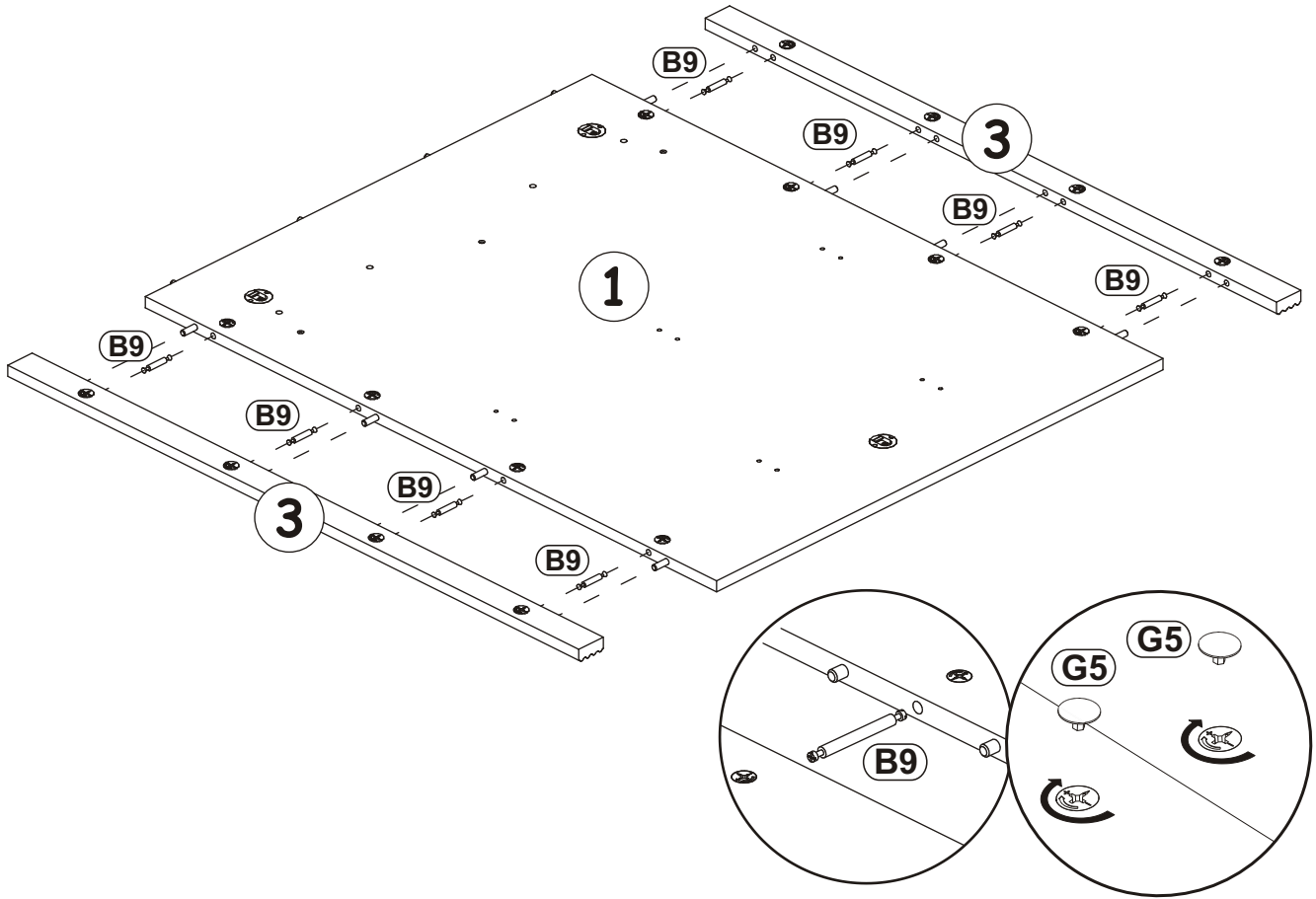
1



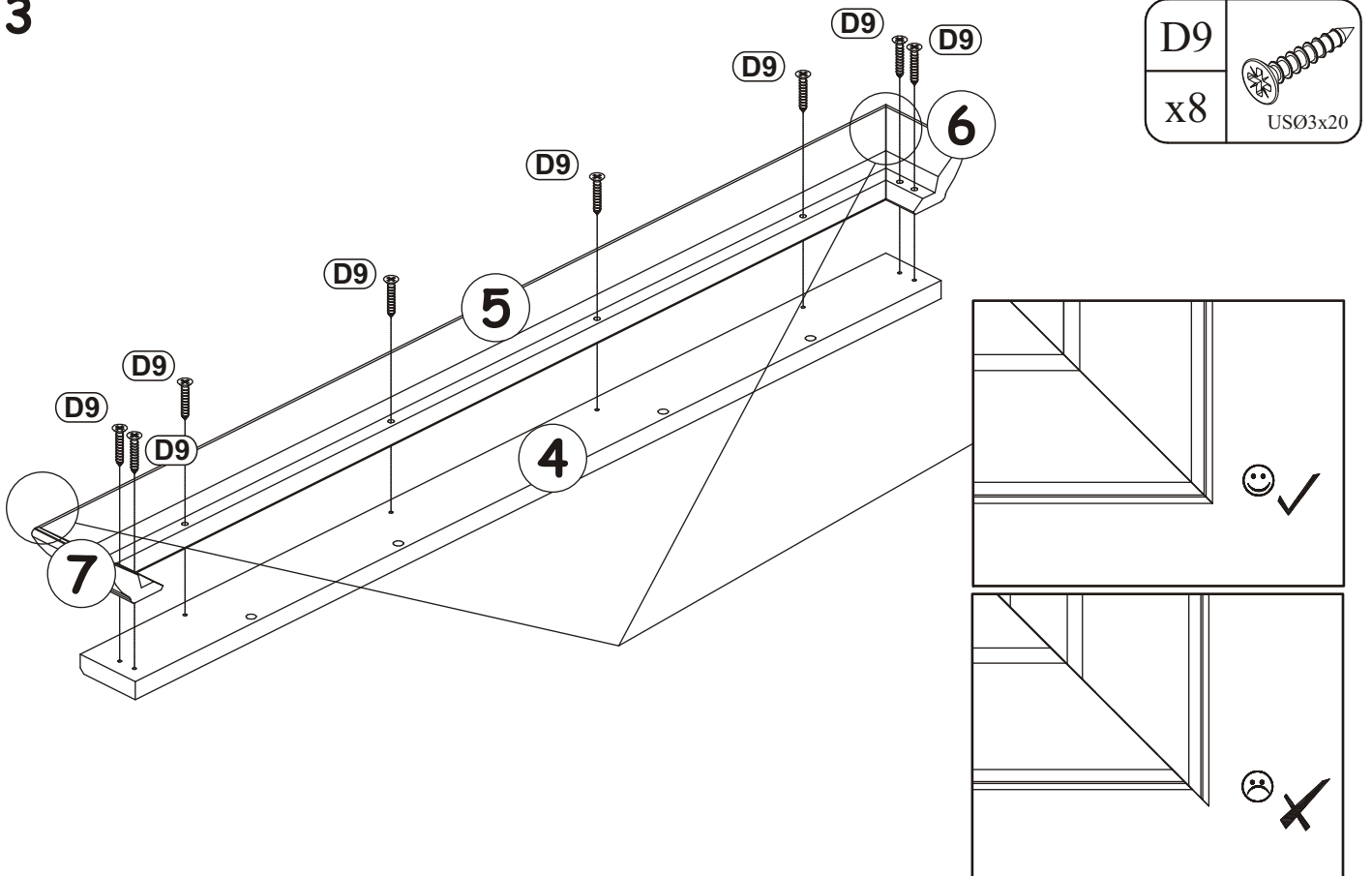
B9	
x8	Ø7x48

G5	
x16	

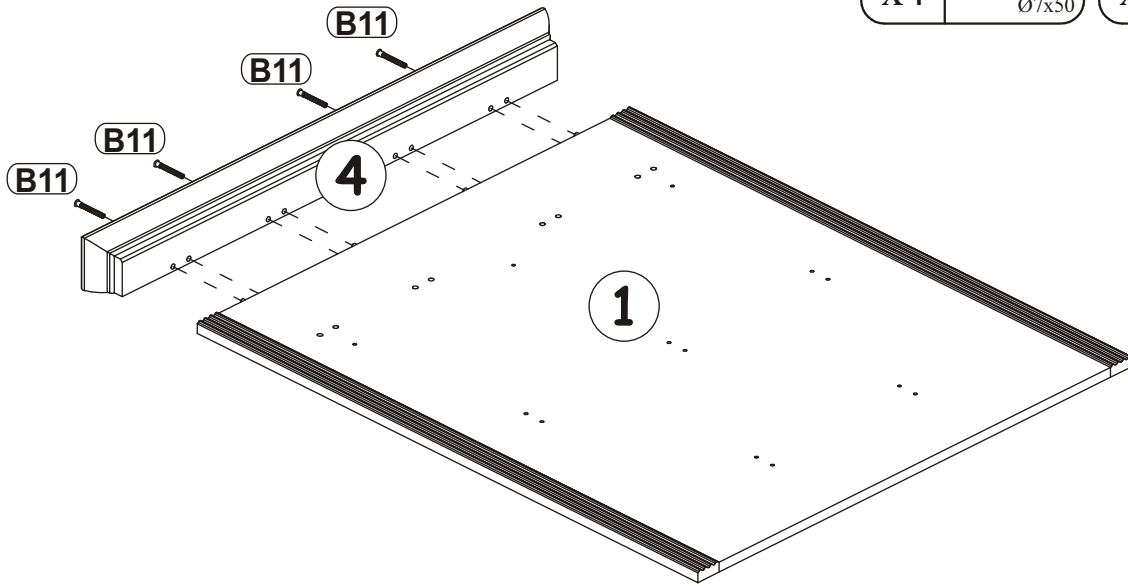
2





3

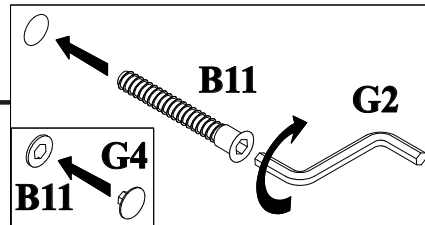




4

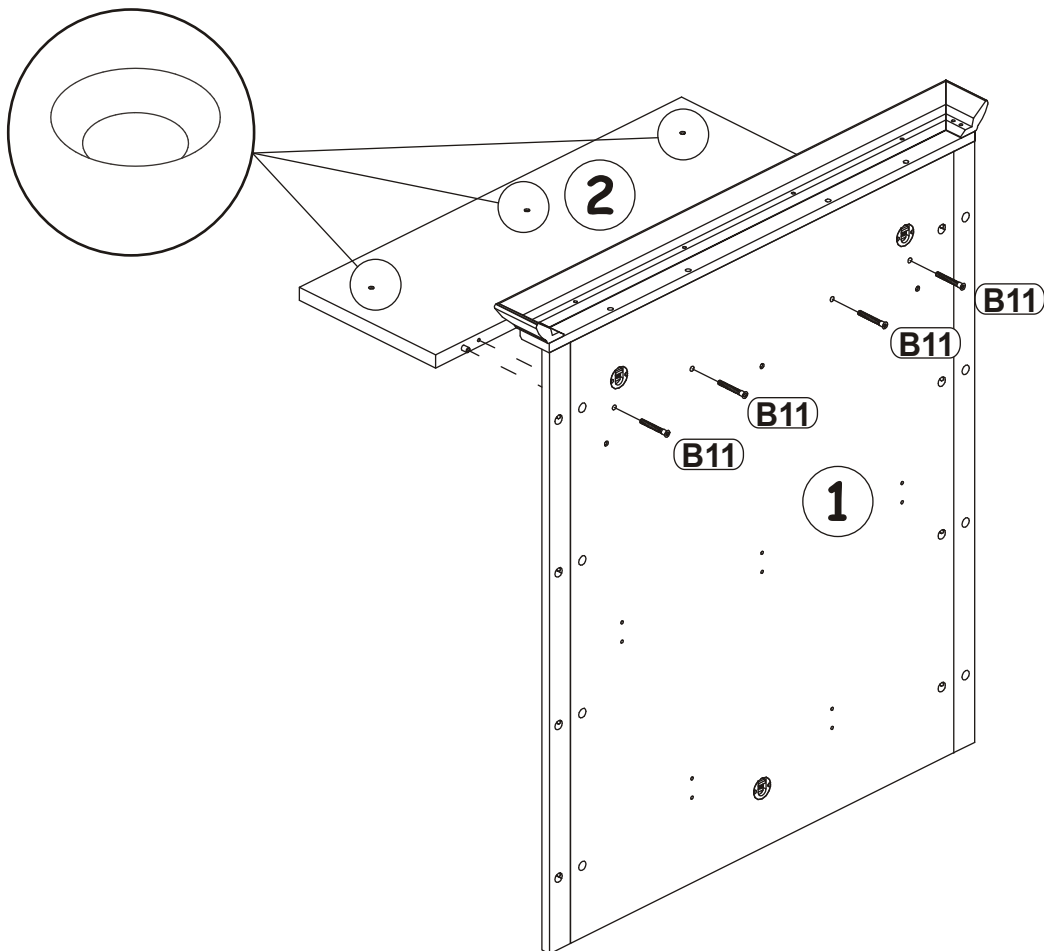


B11		G4	
x4	Ø7x50	x4	

5


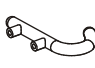
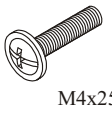




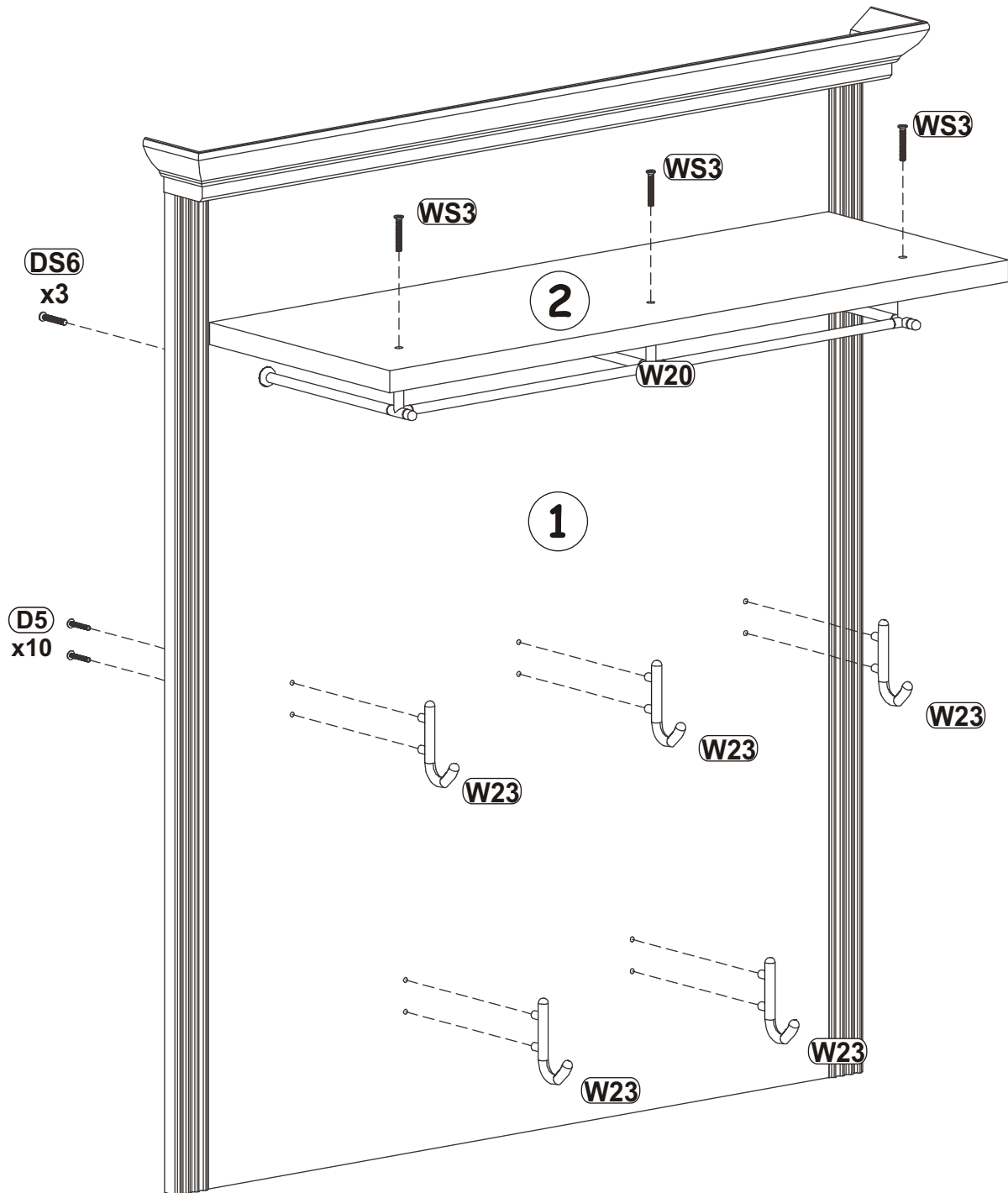
B11		G4	
x4	Ø7x50	x4	





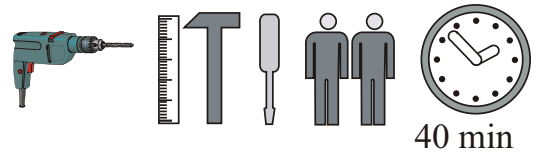
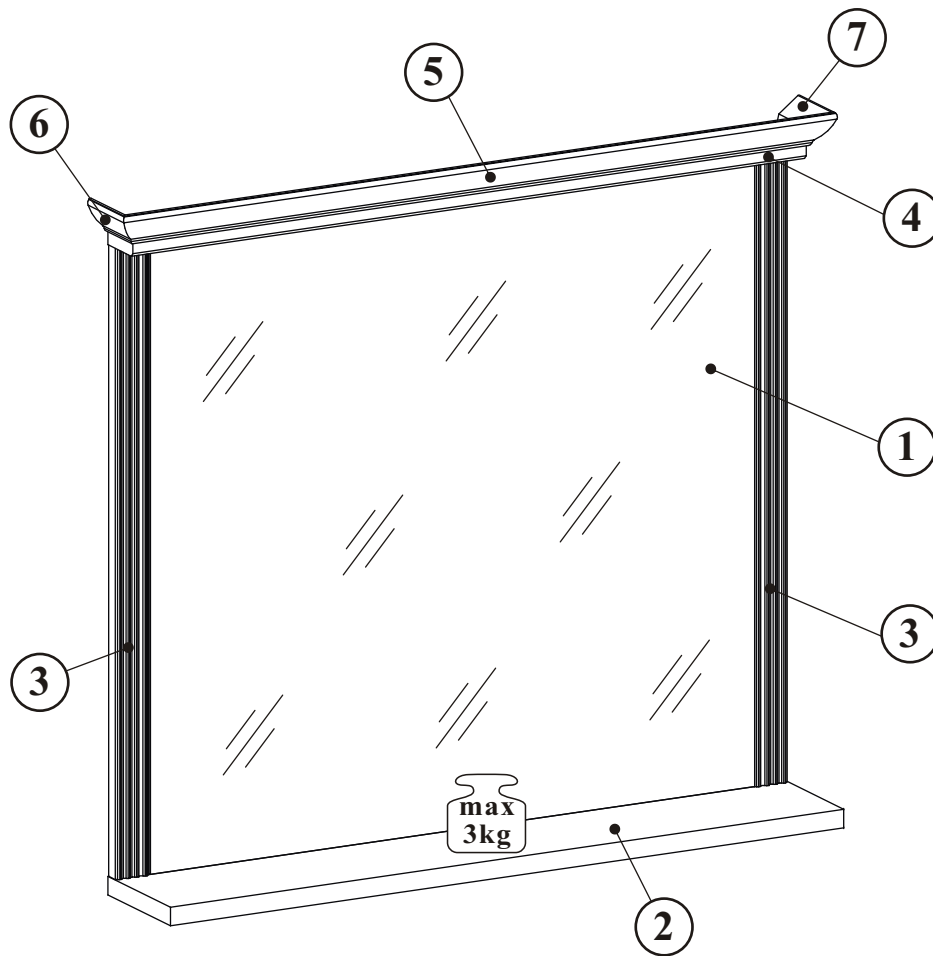
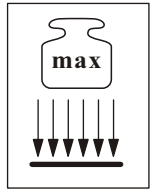
6

WS3 x3	 WS4x30	W23 x5		D5 x10	 M4x25
		W20 x1		DS6 x3	 WSM4x25

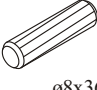



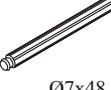

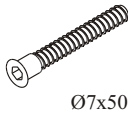


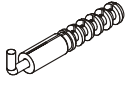
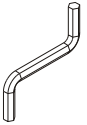


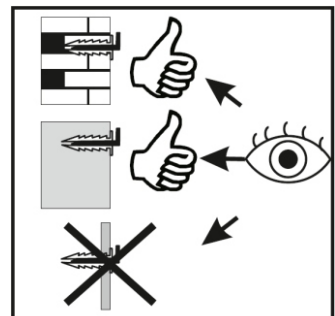
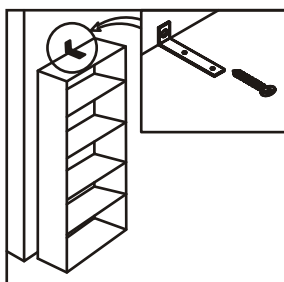
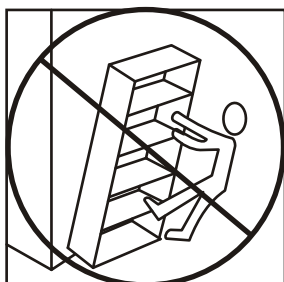
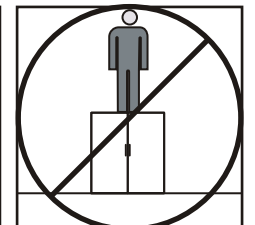
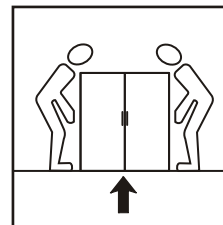
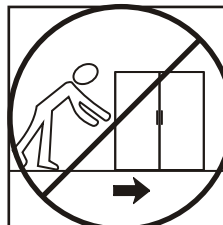
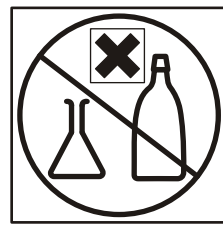
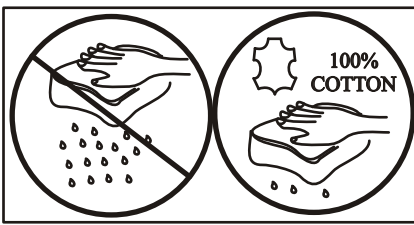
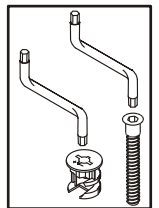
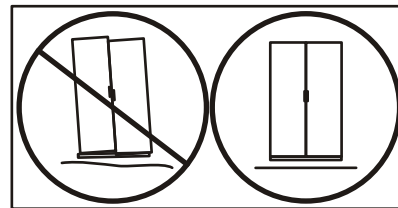
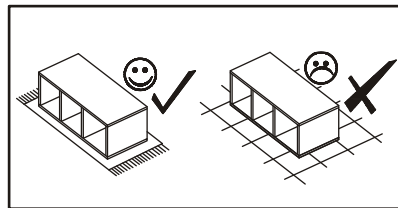
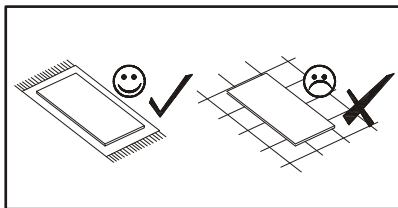
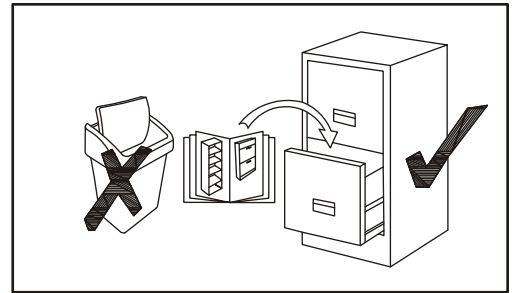
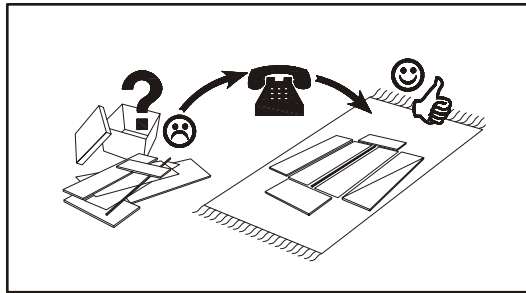
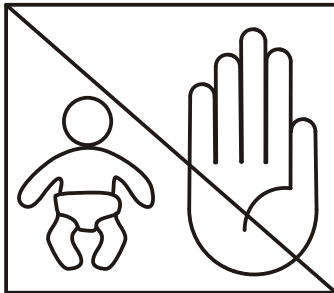
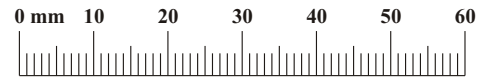


# JASMIN 30B1\_51

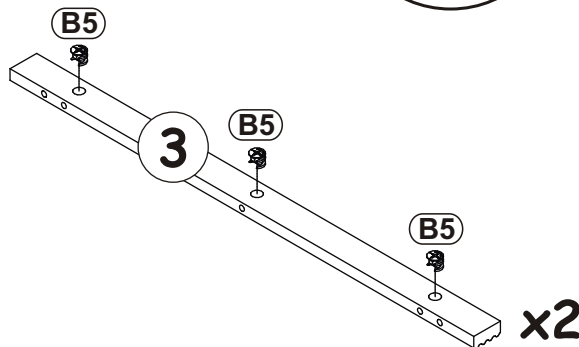
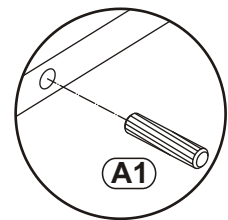
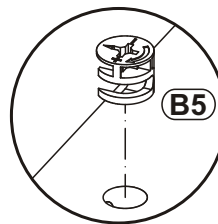
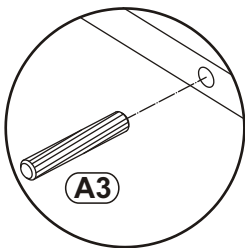
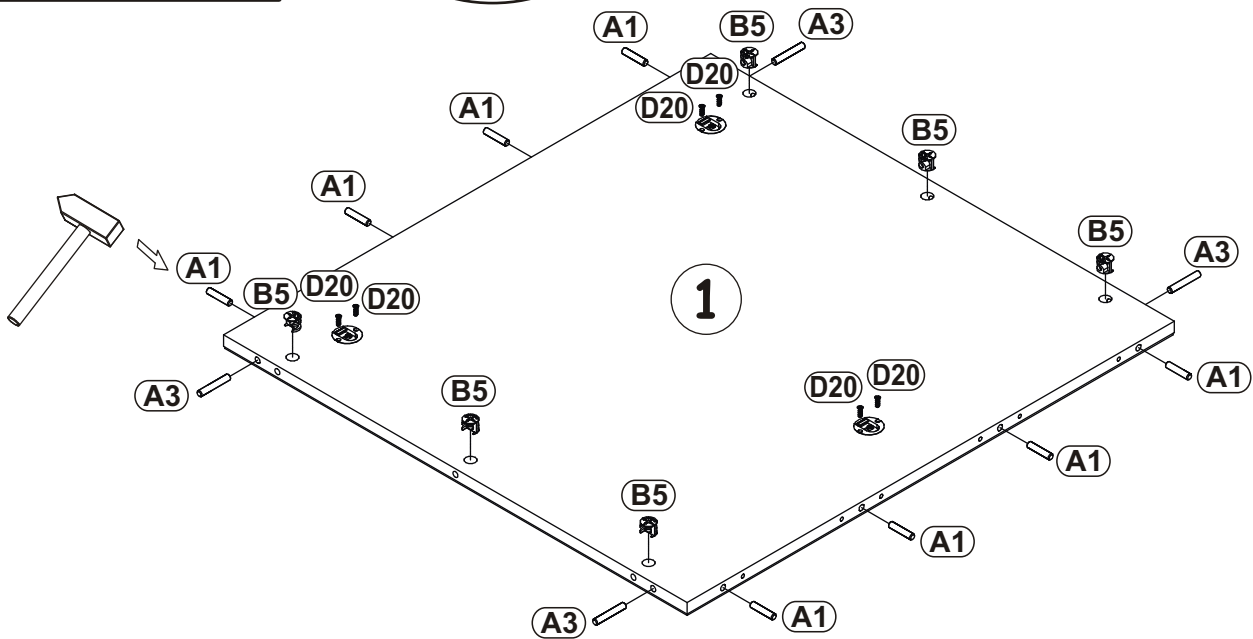
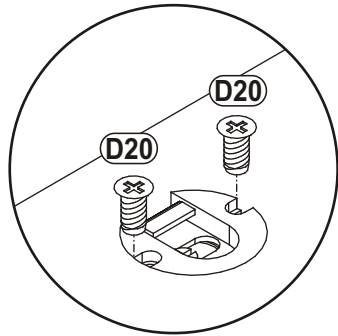
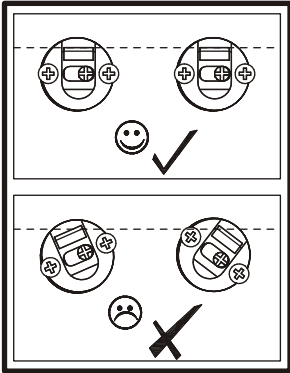
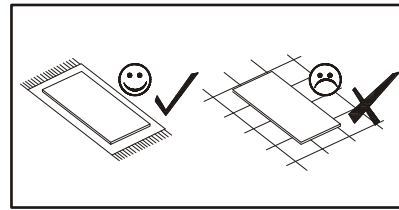
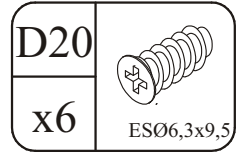
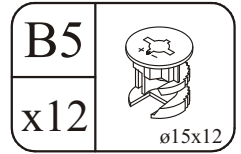
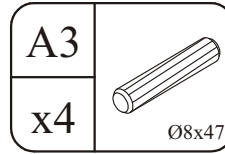
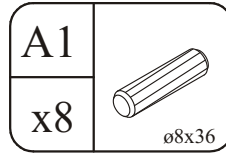


NO	Dim.		Col.-No	Qty
1	750	788	1	1
2	876	150	1	1
3	750	43	1	2
4	876	60	1	1
5	929	67	1	1
6	86	67	1	1
7	86	67	1	1

A1 x8  ø8x36	A3 x4  ø8x47	B5 x12  ø15x12	G5 x12 	B9 x6  ø7x48	D9 x7  USØ3x20
B11 x10  ø7x50	G4 x10 	D20 x6  ESØ6,3x9,5	KR2 x3 	G2 x1 	

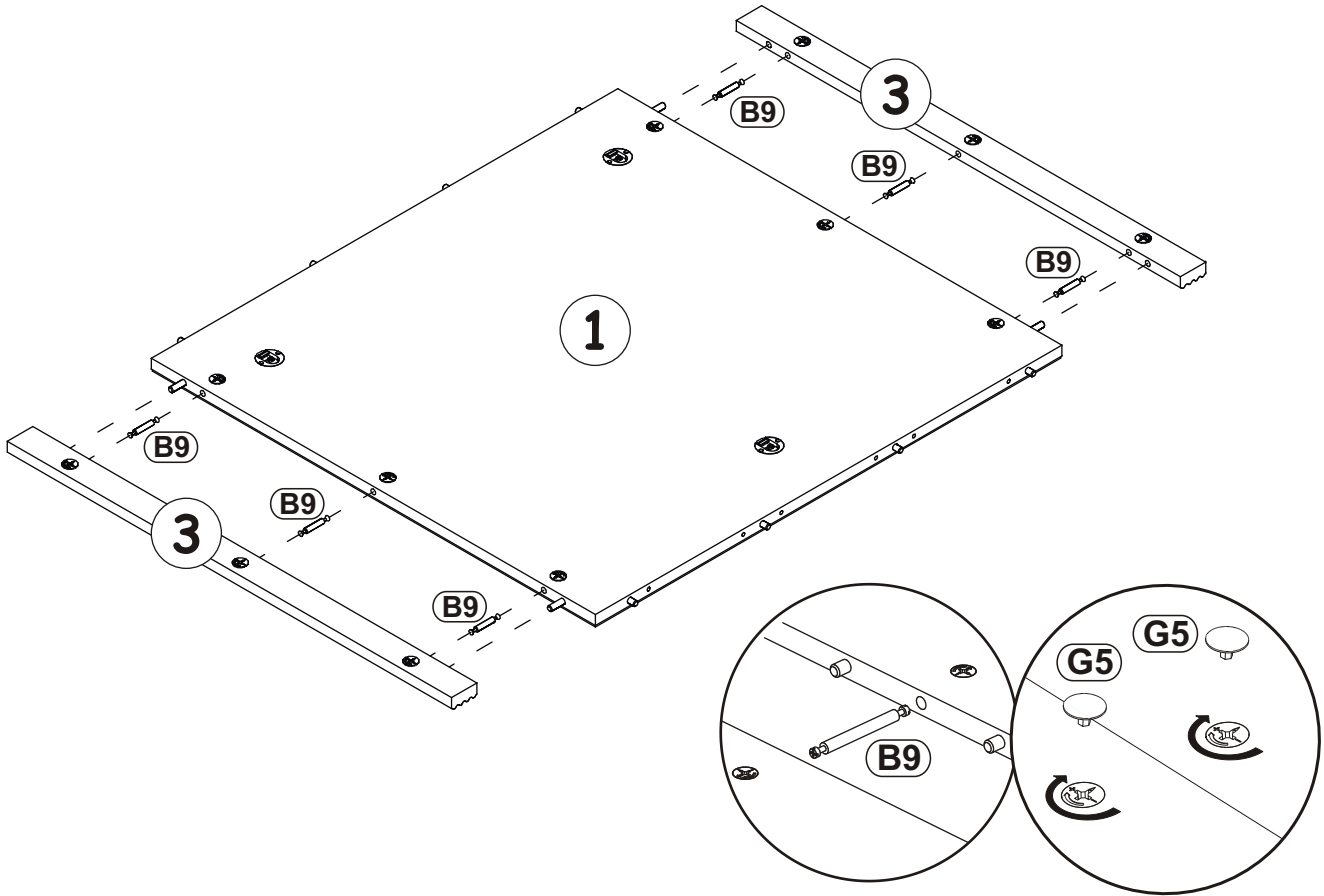


1




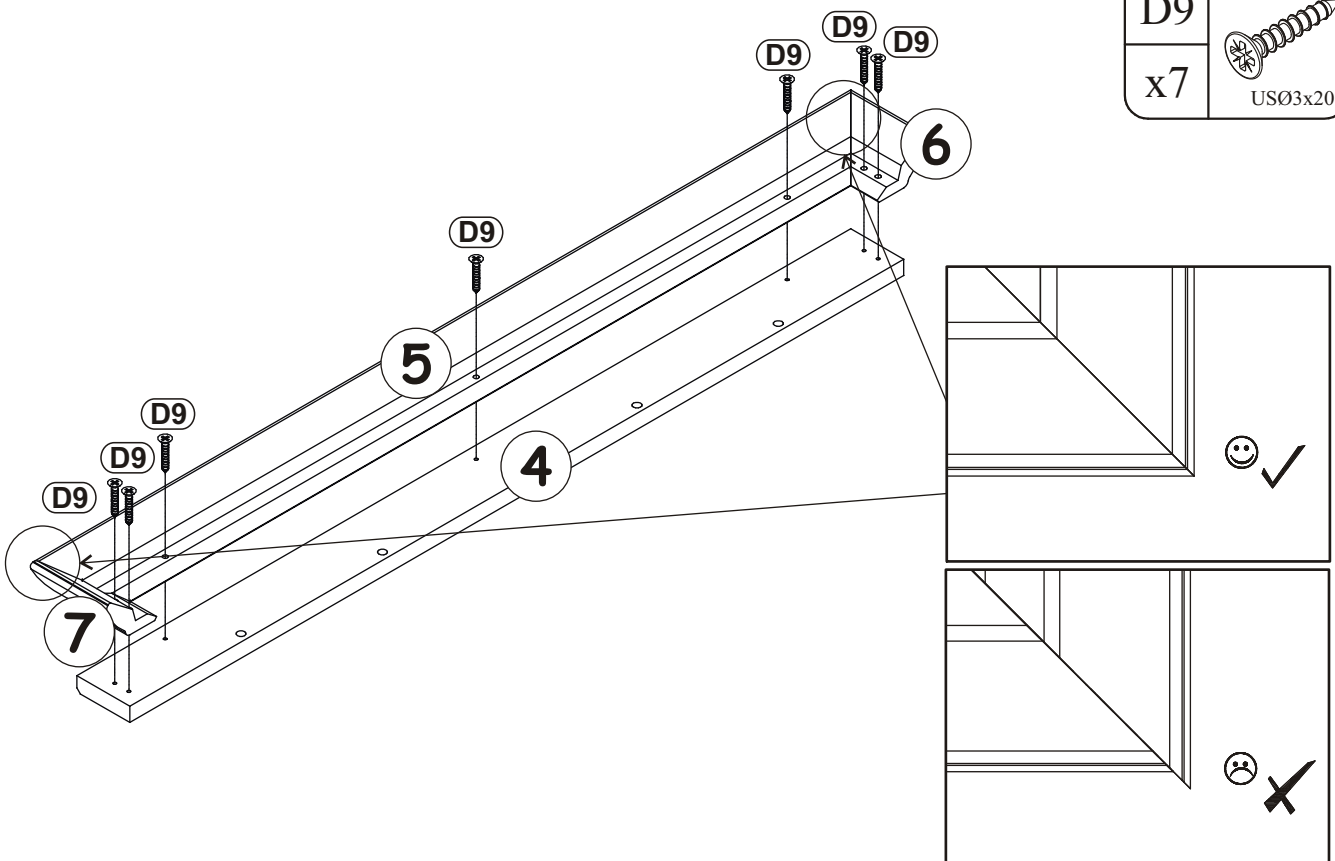
B9		G5	
x6	Ø7x48	x12	



2



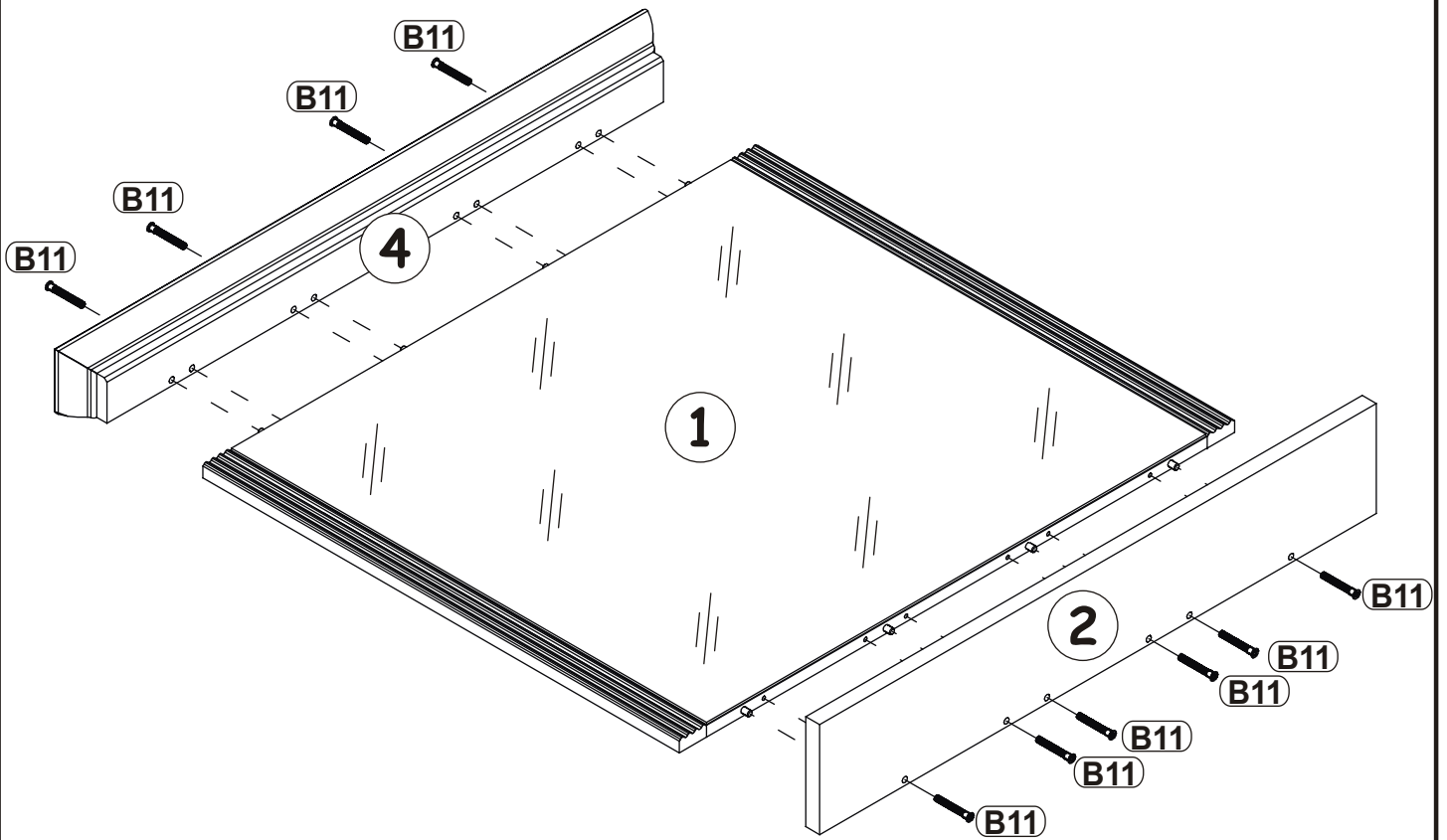
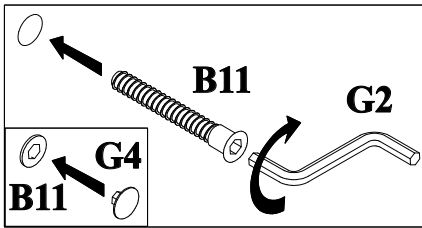
3

D9	
x7	USØ3x20



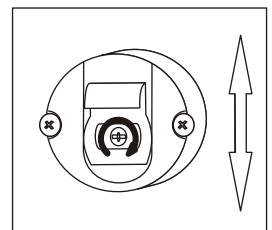
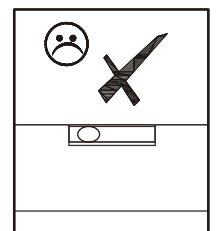
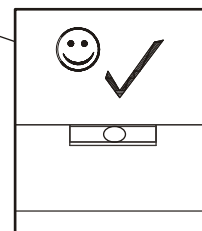
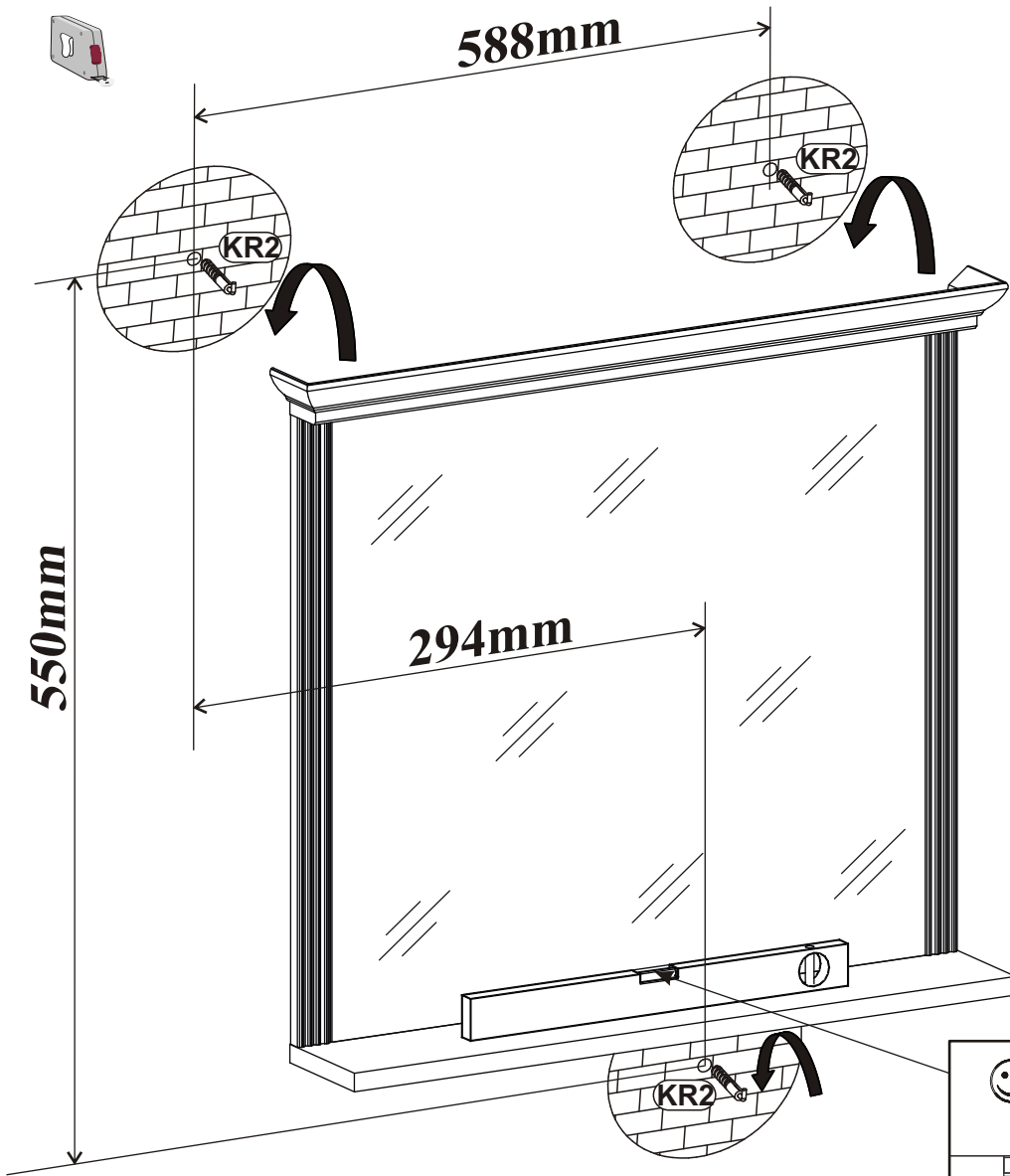
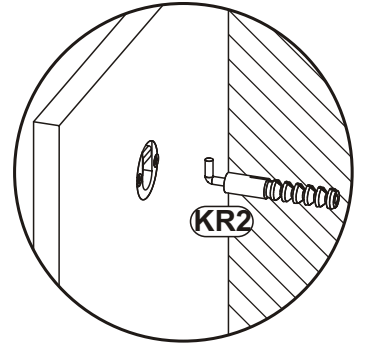
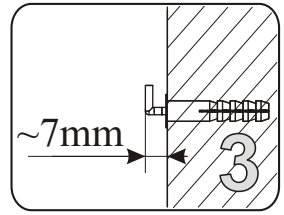
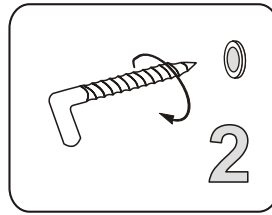
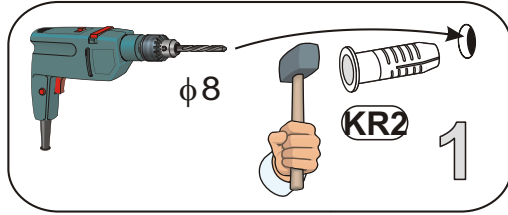
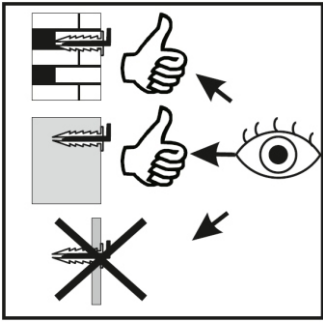
B11	 Ø7x50	G4	
x10		x10	

4



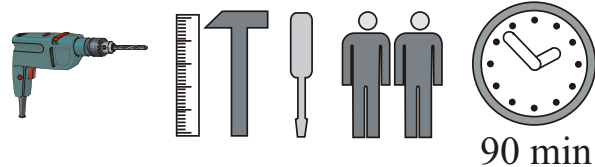
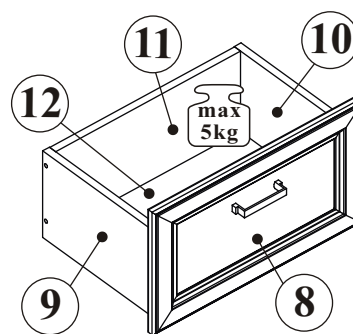
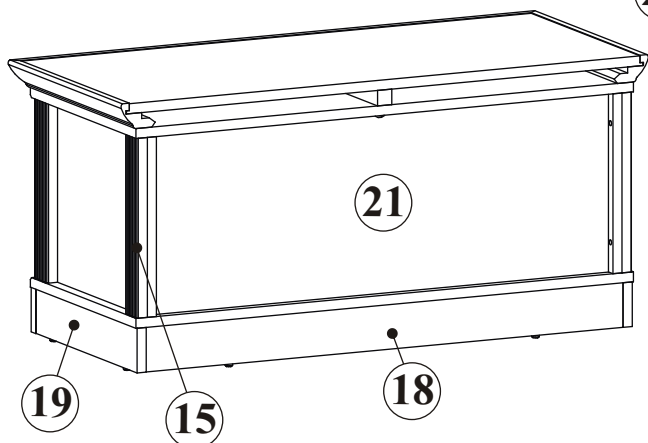
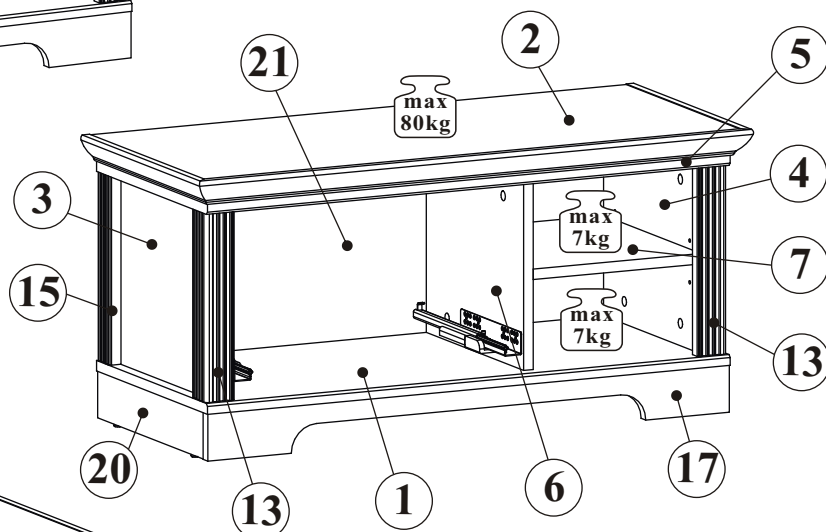
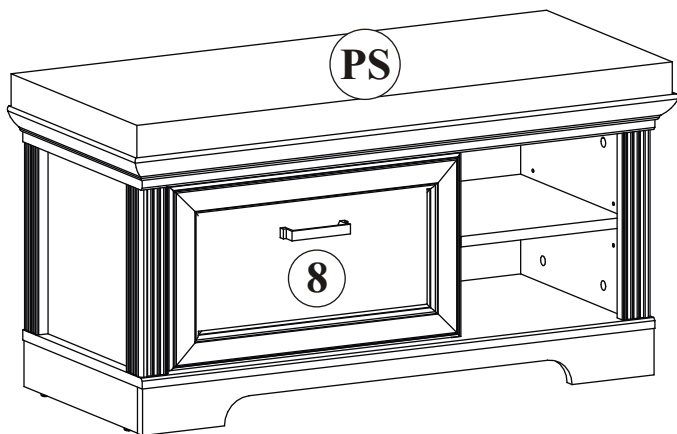
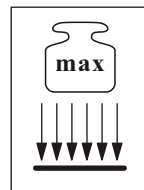
5

KR2  
x3





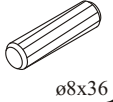
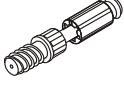






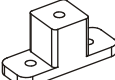



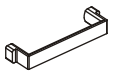

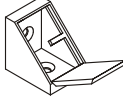

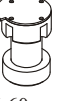

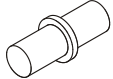

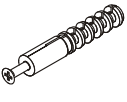

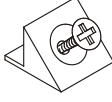

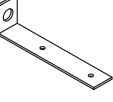
# JASMIN 30B1\_60

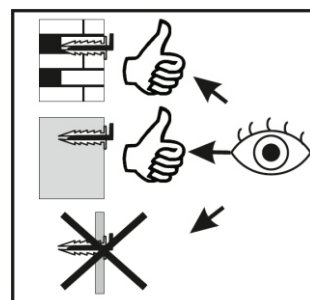
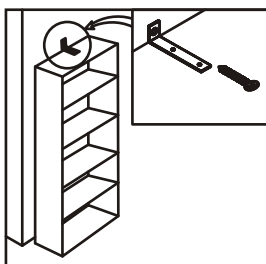
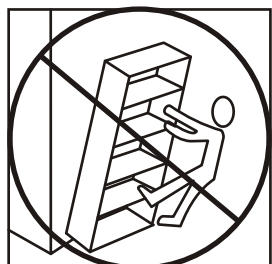
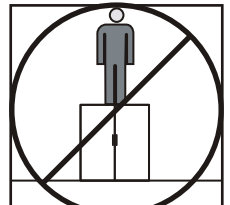
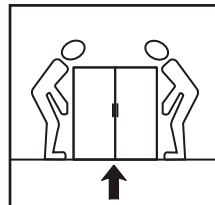
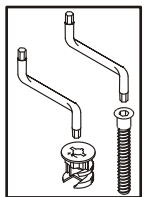
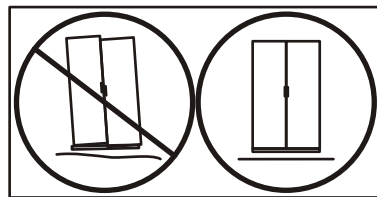
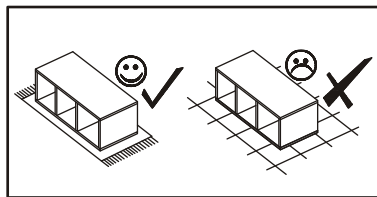
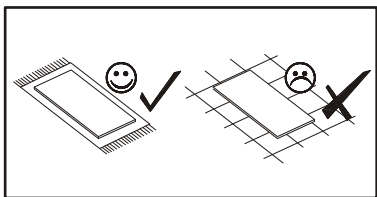
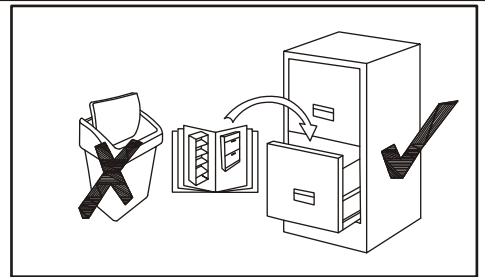
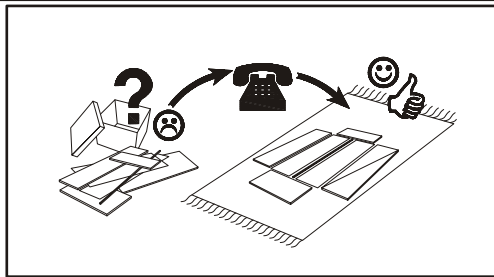
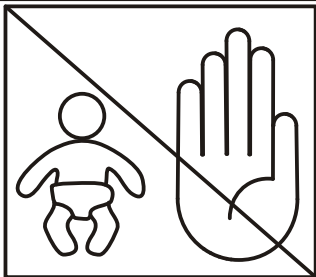
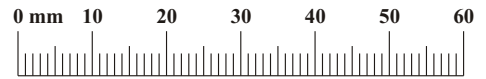


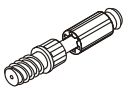
NO	Dim.		Col.-No	Qty
1	876	380	1	1
2	929	406	1	1
3	290	353	2	1
4	290	353	2	1
5	876	380	1	1
6	290	333	2	1
7	281	318	2	1
8	496	283	2	1
9	300	200	2	1
10	300	200	2	1

NO	Dim.		Col.-No	Qty
11	442	186	2	1
12	304	454	2	1
13	290	49	2	2
15	290	43	2	2
17	874	72	1	1
18	840	72	1	1
19	363	72	2	1
20	363	72	2	1
21	302	816	1	1

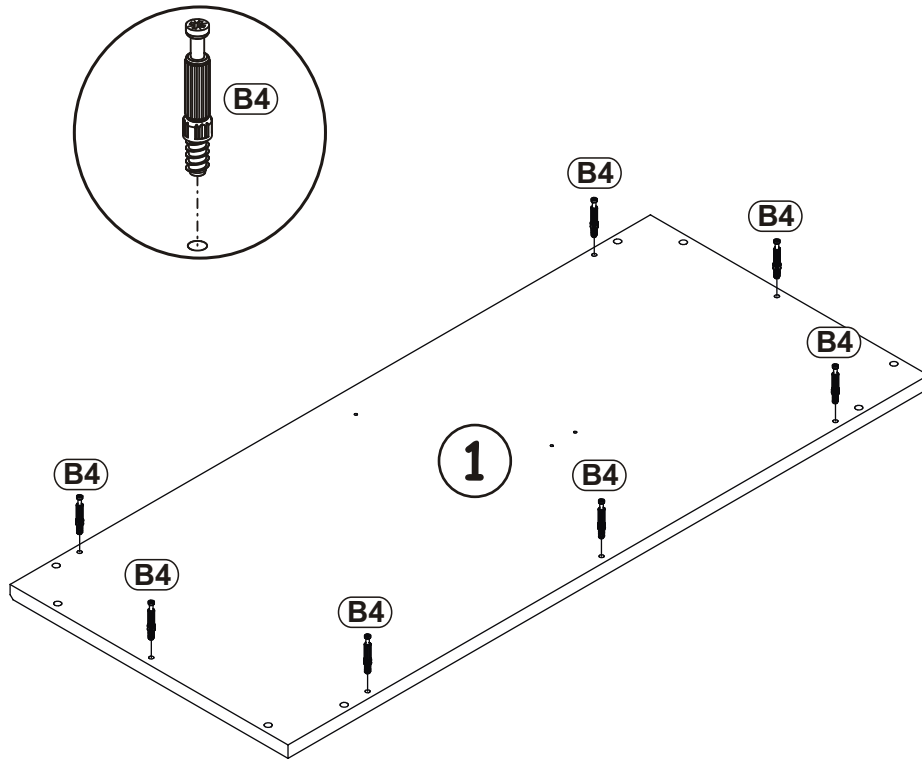
# JASMIN 30B1\_\_60

A1 x28  ø8x36	B4 x27 	B5 x27  ø15x12	G5 x27 	B11 x4  Ø7x50	B14 x15  Ø7x30
QU x1  L-300	D20 x4  ESØ6,3x9,5	H1 x2 	EK6 x4  EKØ6,3x13	G4 x12 	G12 x7  Ø14
C19 x1 	D34 x2  M4x16	KM1 x1 	D10 x6  USØ3,5x13	I9 x1  H-60 mm.	UP9 x4  UPØ3,5x16
G7 x4 	UP13 x6  UPØ3x16	KR1 x1 	I2 x6 	S1 x9 	G2 x1 
L1 x1 					

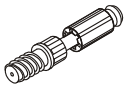


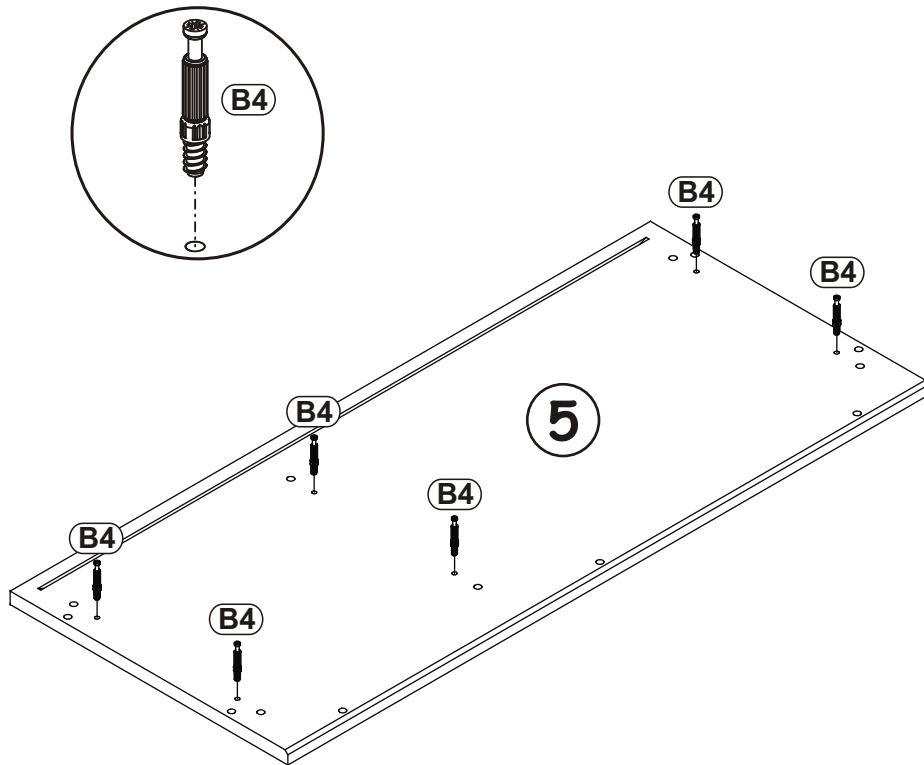
B4	
x7	

1

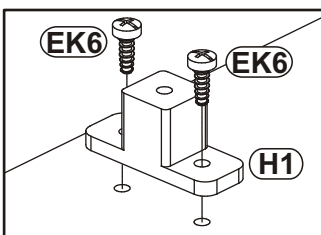
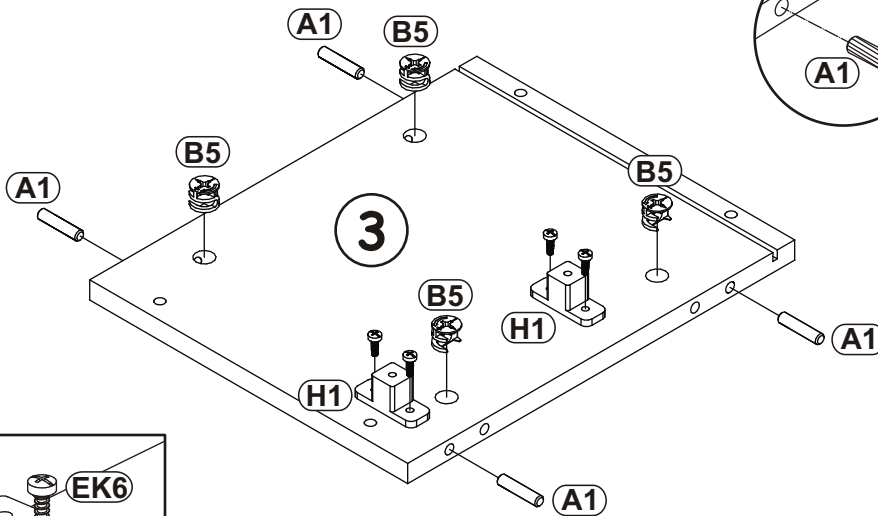
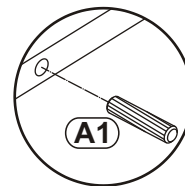
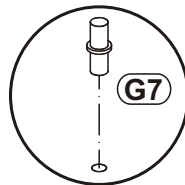
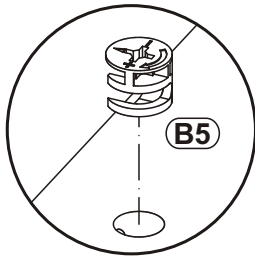
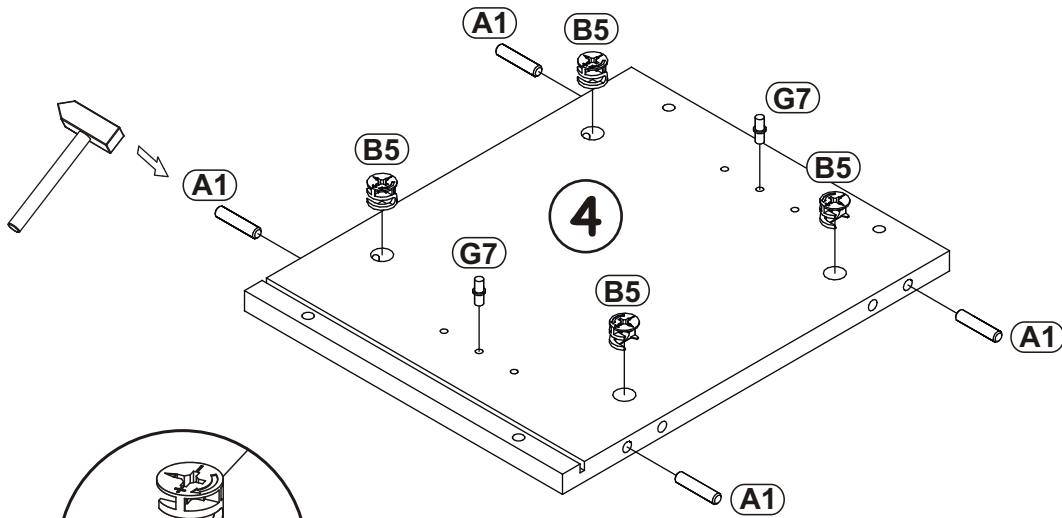
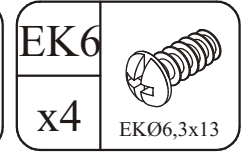
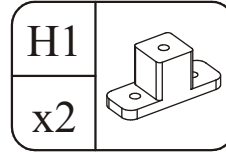
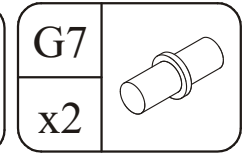
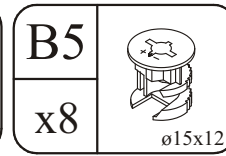
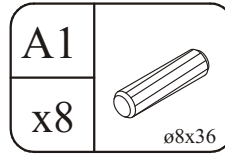


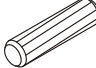

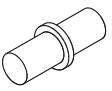
2

B4	
x6	

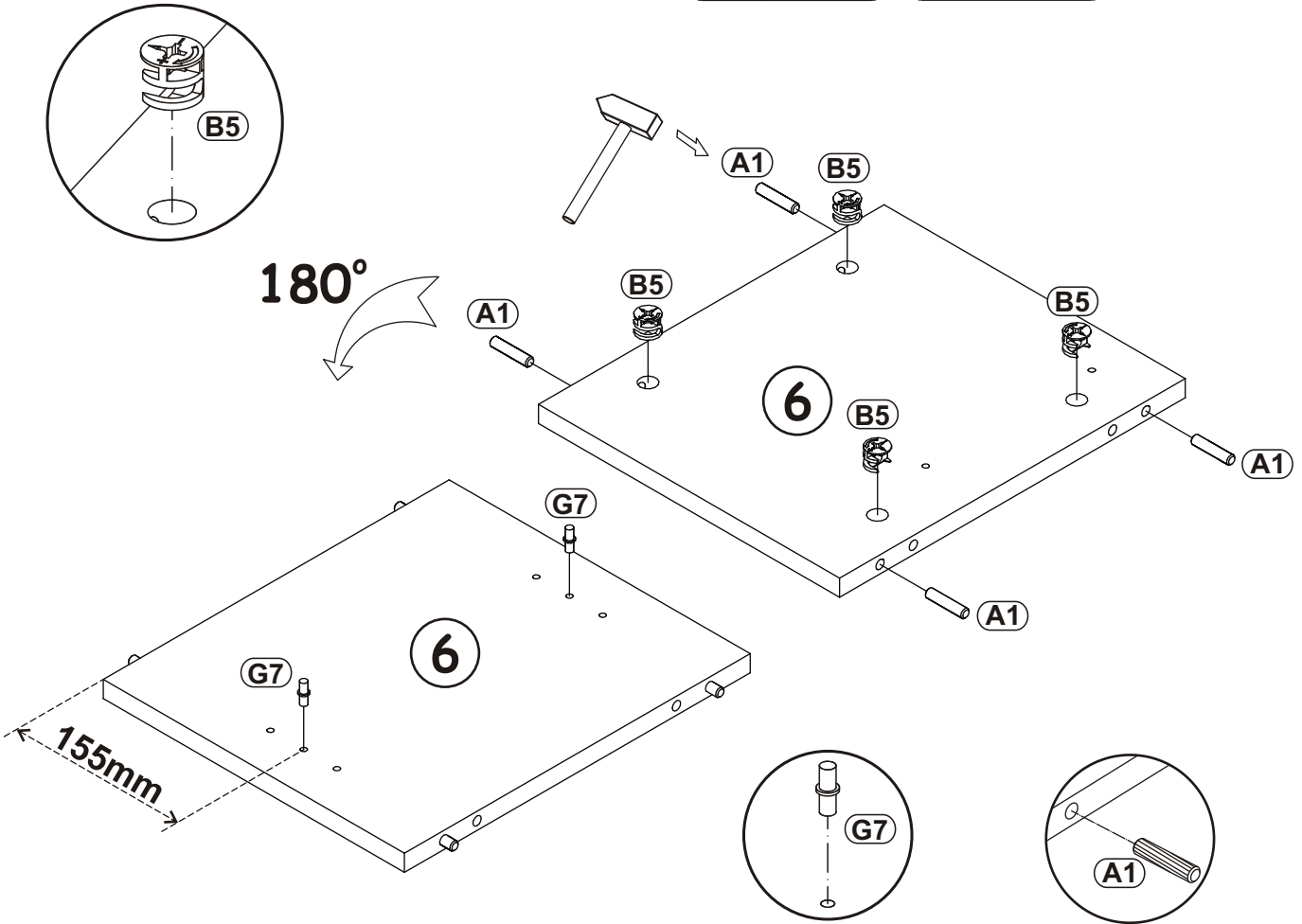


3

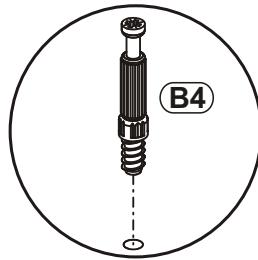
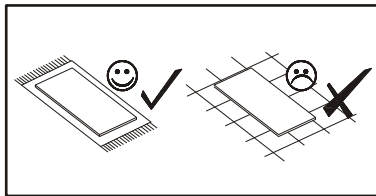


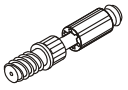
A1		B5		G7	
x4	ø8x36	x4	ø15x12	x2	

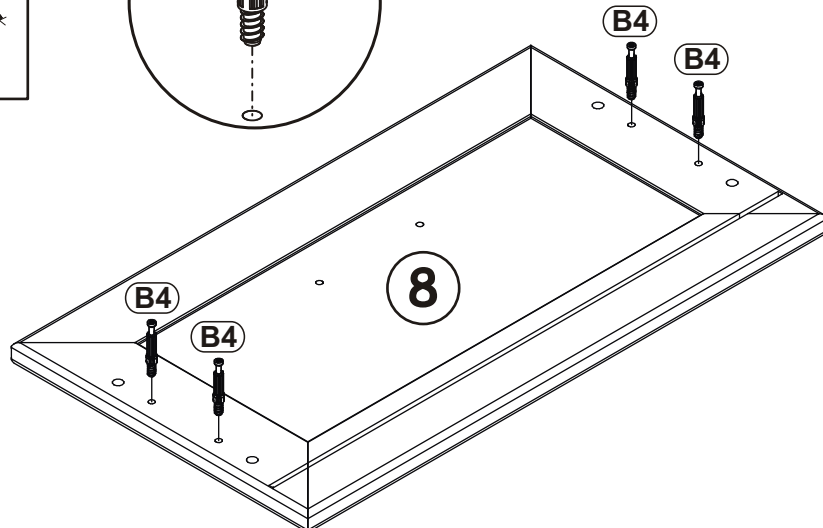
4



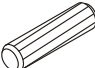

5

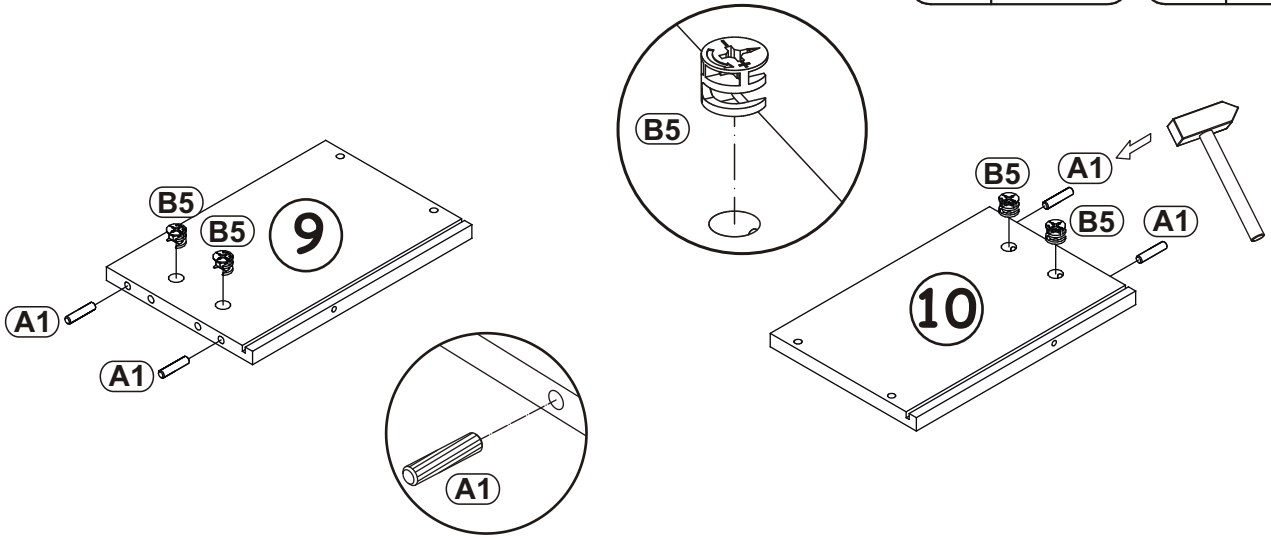


B4	
x4	

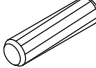
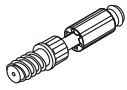



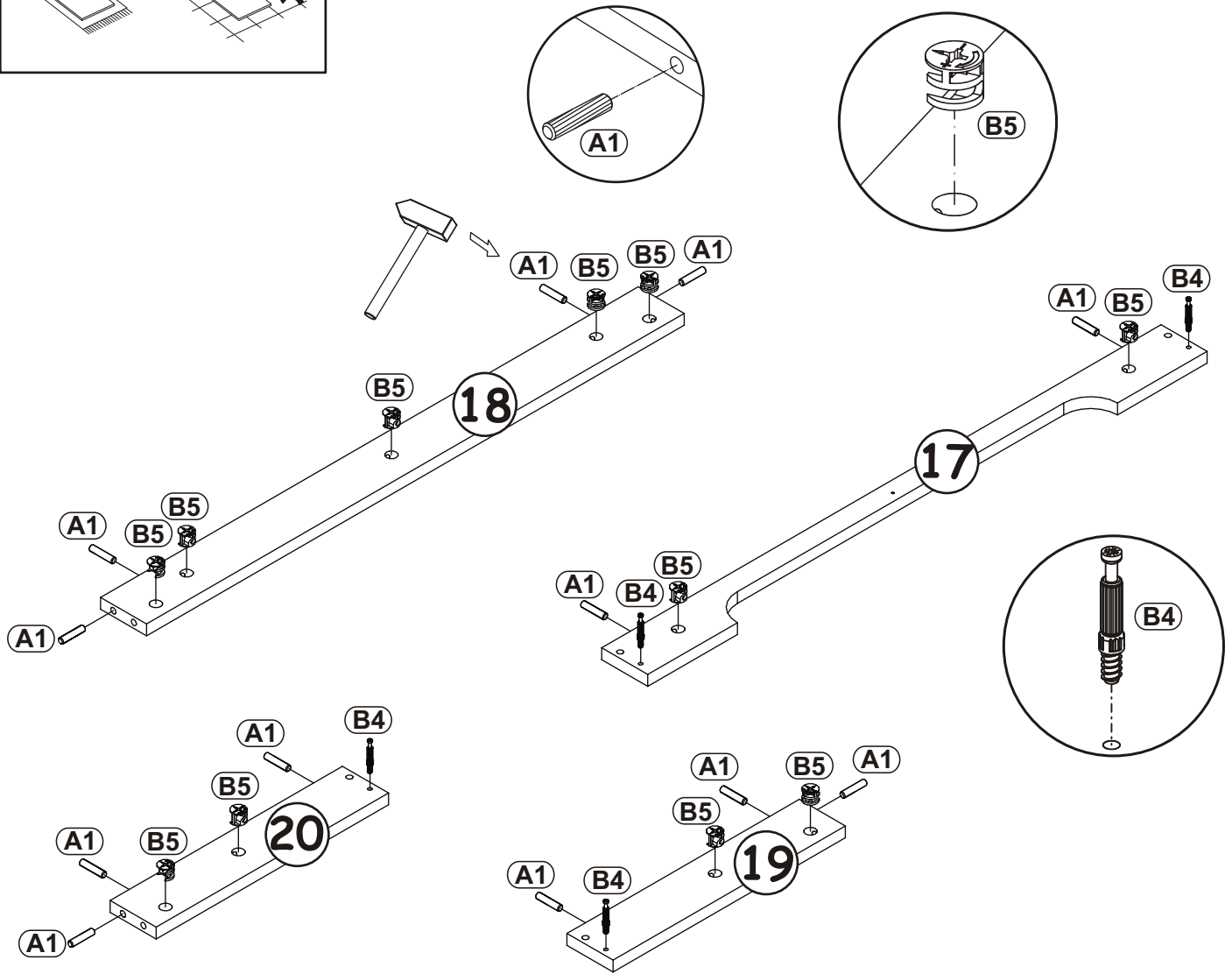
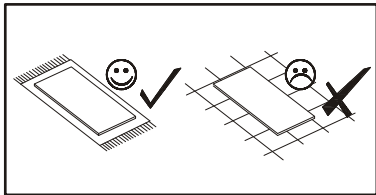
6

A1		B5	
x4	ø8x36	x4	ø15x12

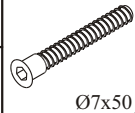



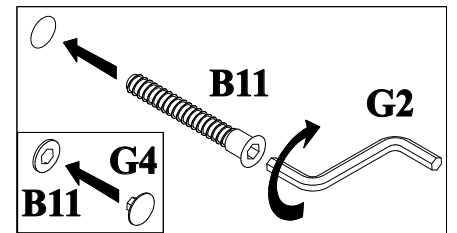
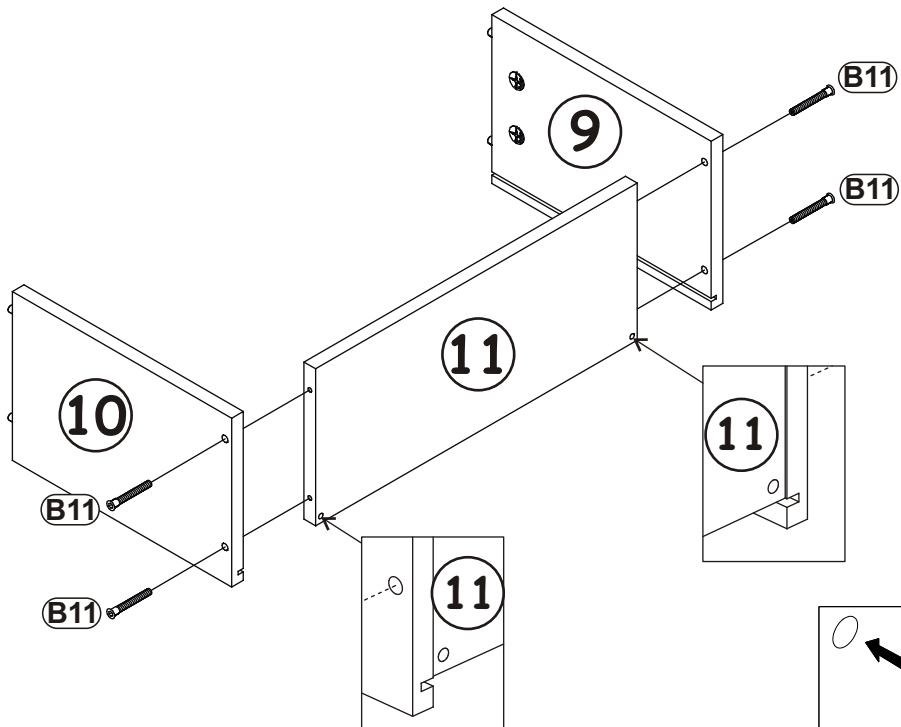
7

A1		B4		B5	
x12	ø8x36	x4		x11	ø15x12




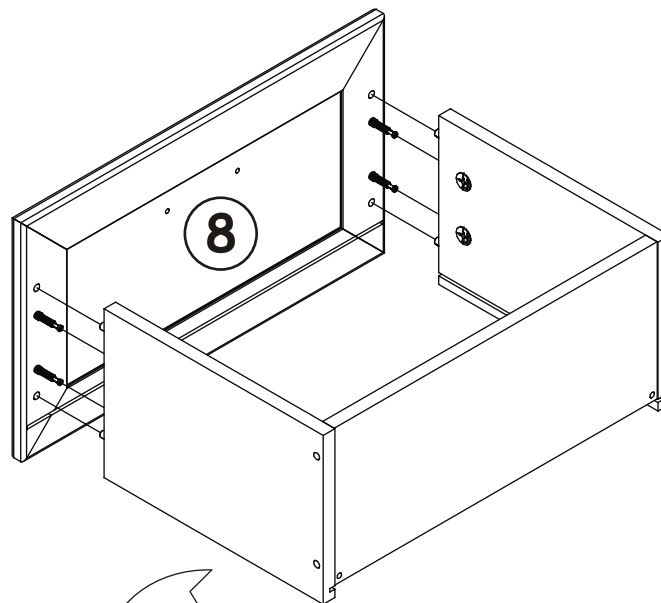
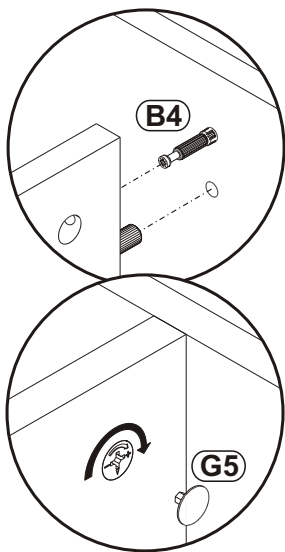
8

B11		G4	
x4	Ø7x50	x4	



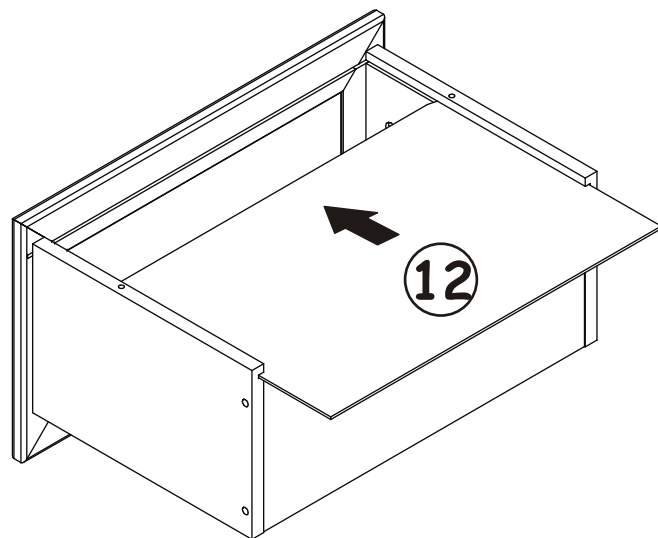
9

G5	
x4	

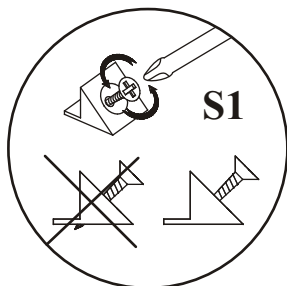
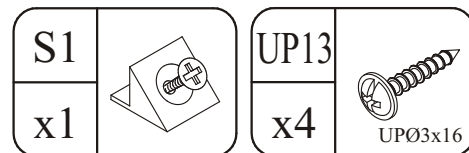


180°

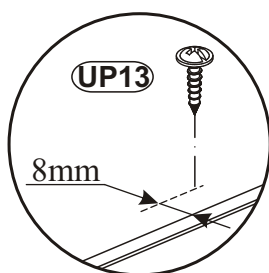
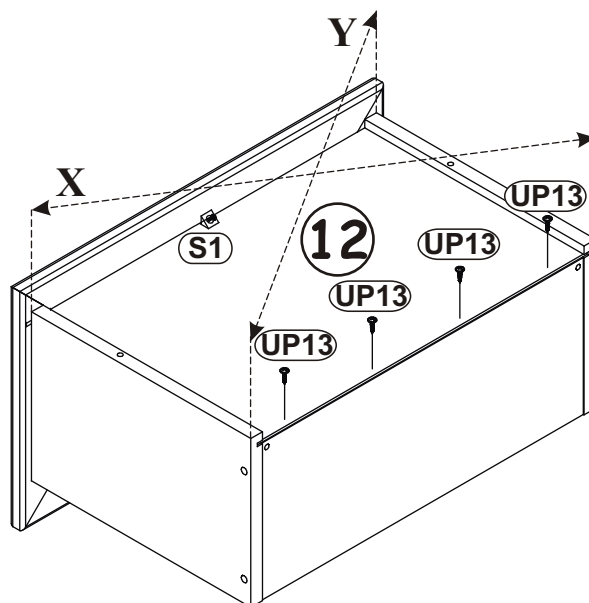
10



11





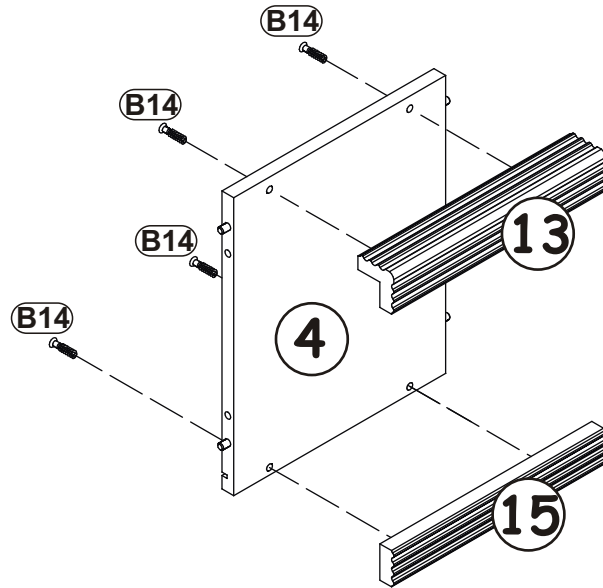
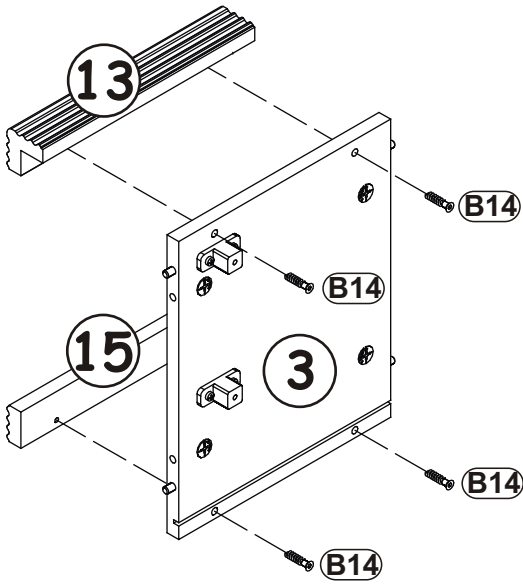
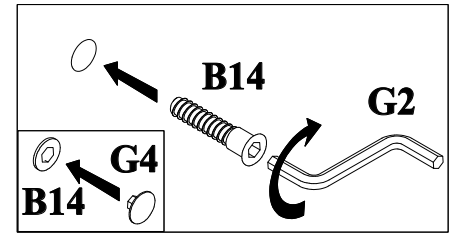
X=Y






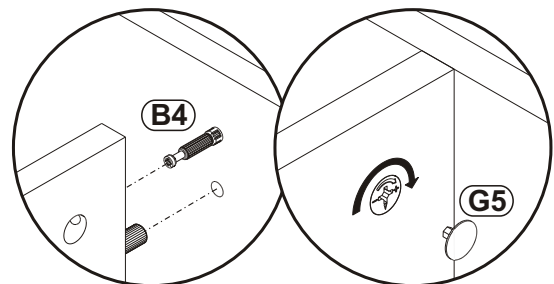
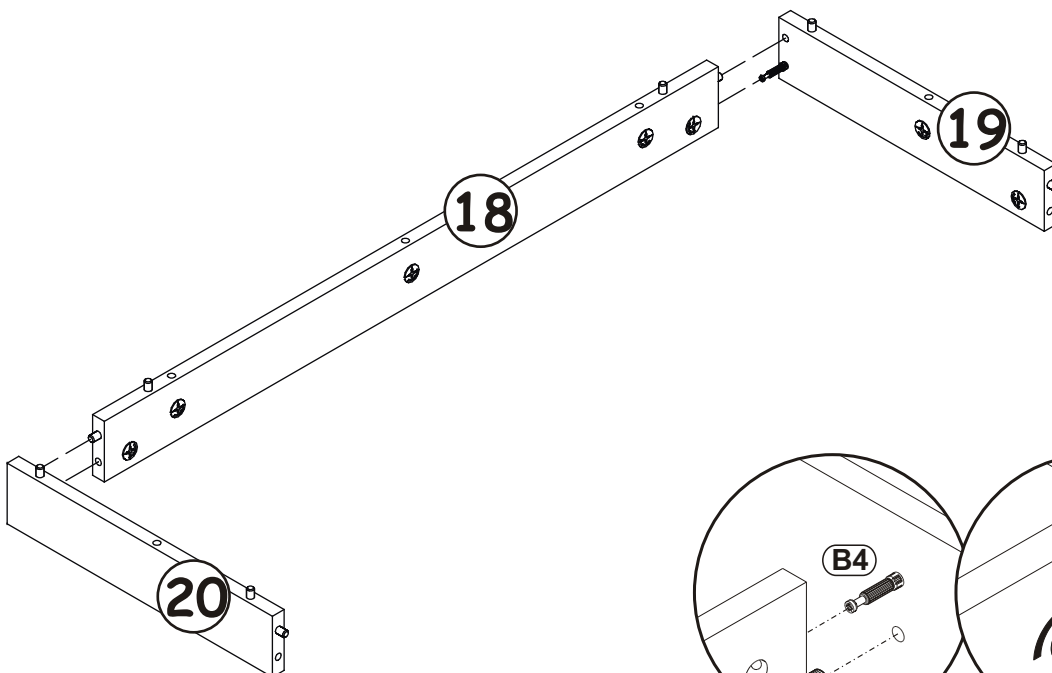
12


B14		G4	
x8	Ø7x30	x8	



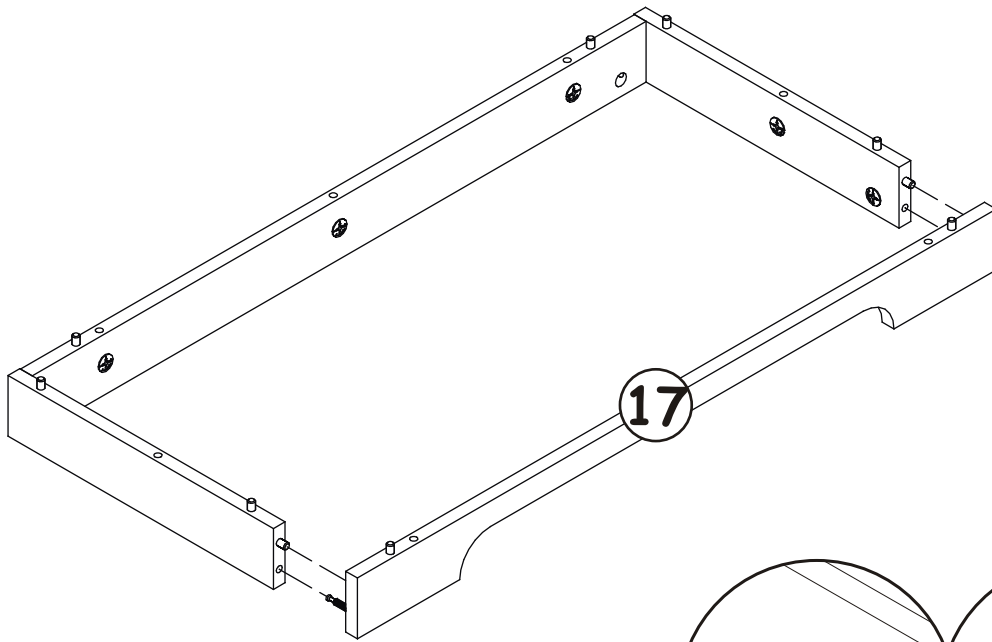
13

G5	
x2	

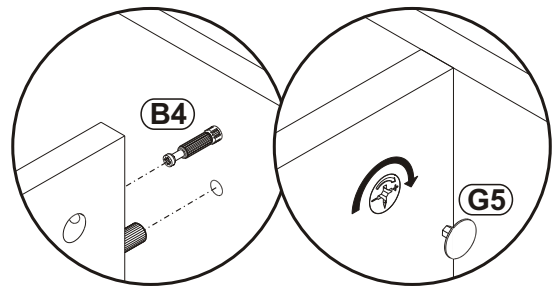


G5	
x2	


14

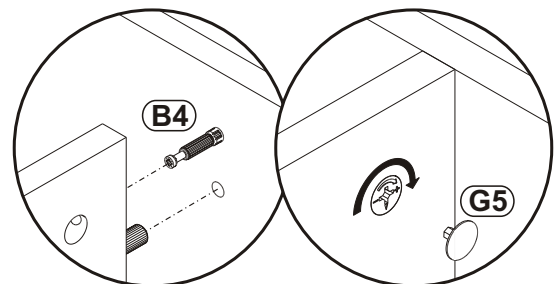
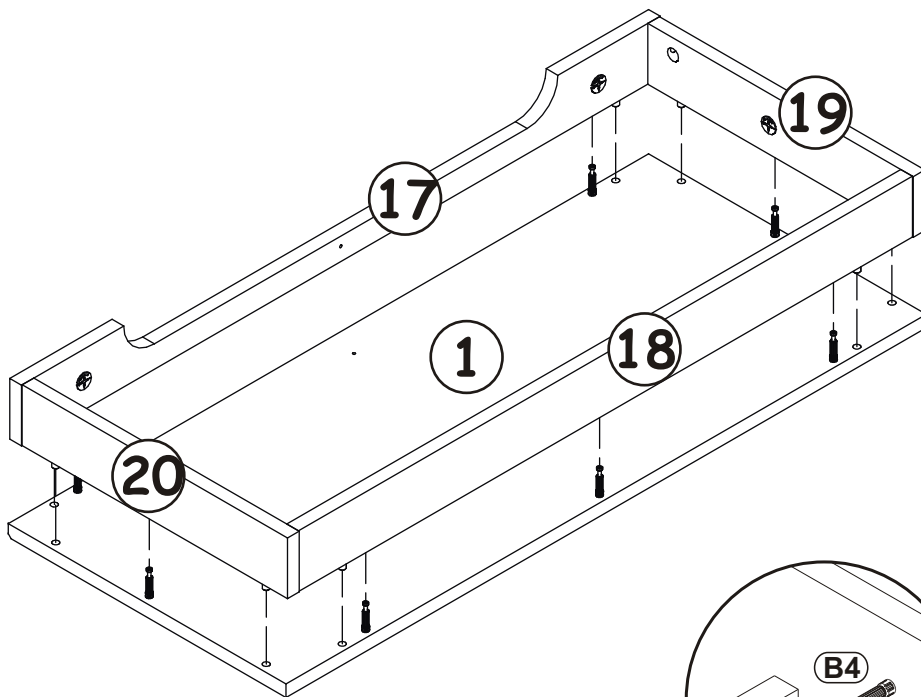


180°

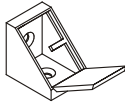



15


G5	
x7	

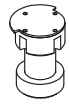


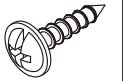
16

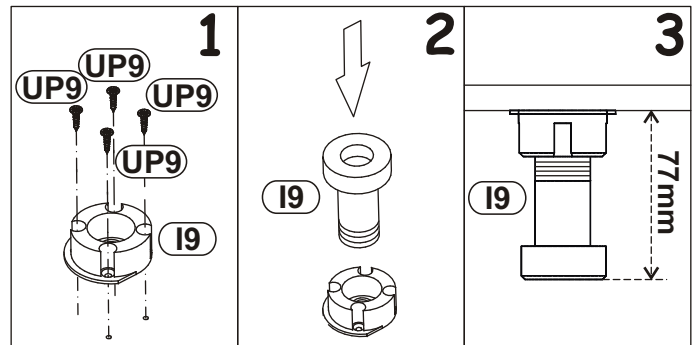
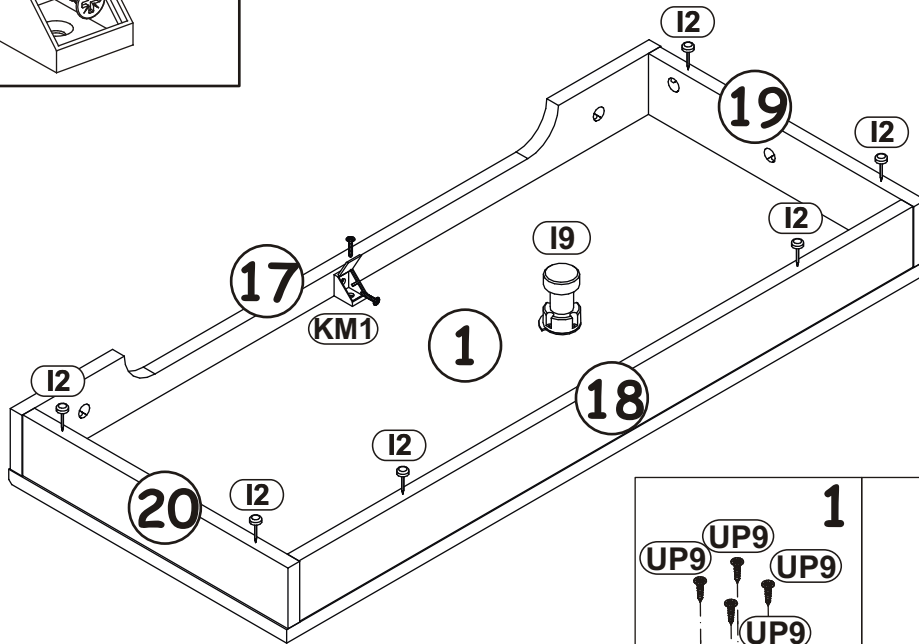
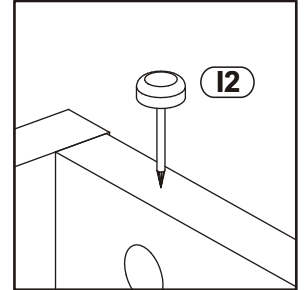
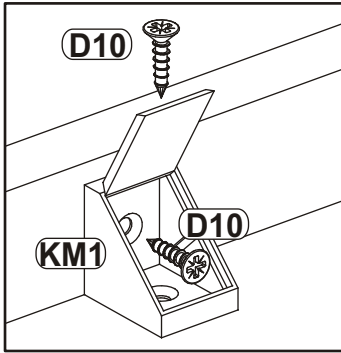
KM1	
x1	

D10	
x2	USØ3,5x13

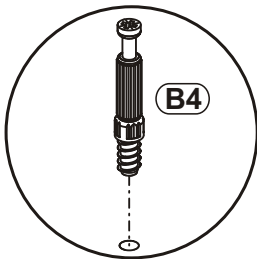
I2	
x6	

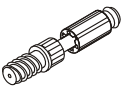
I9	
x1	H-60 mm.

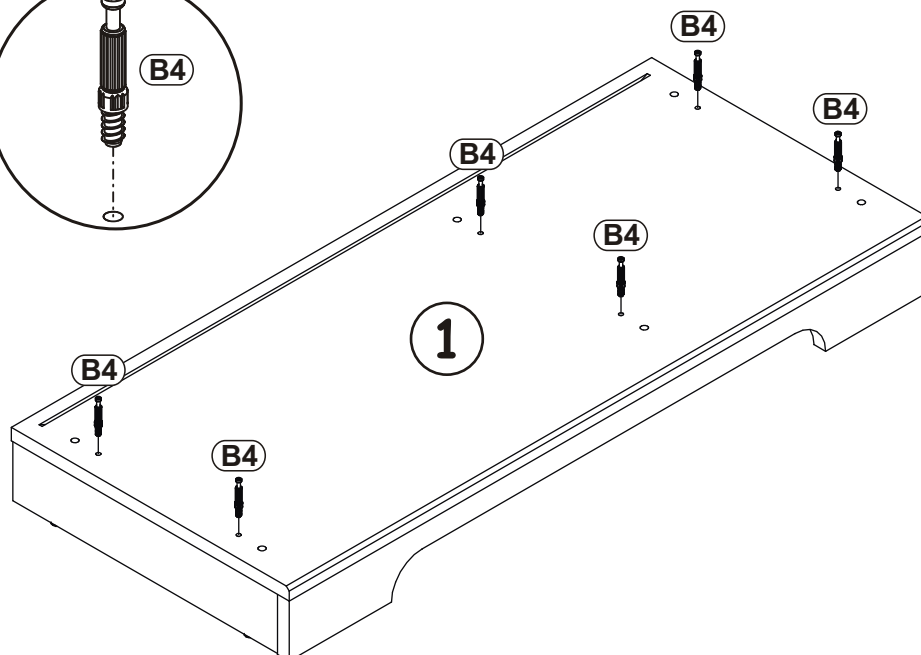
UP9	
x4	UPØ3,5x16



17



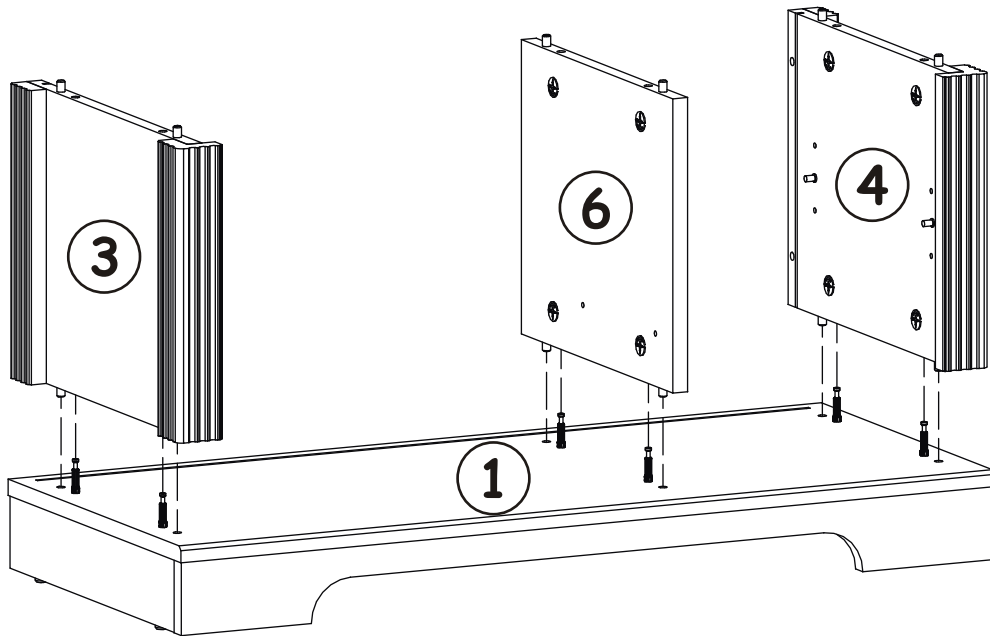
B4	
x6	



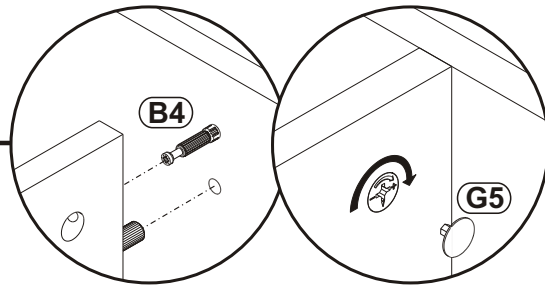
18

G5

x6

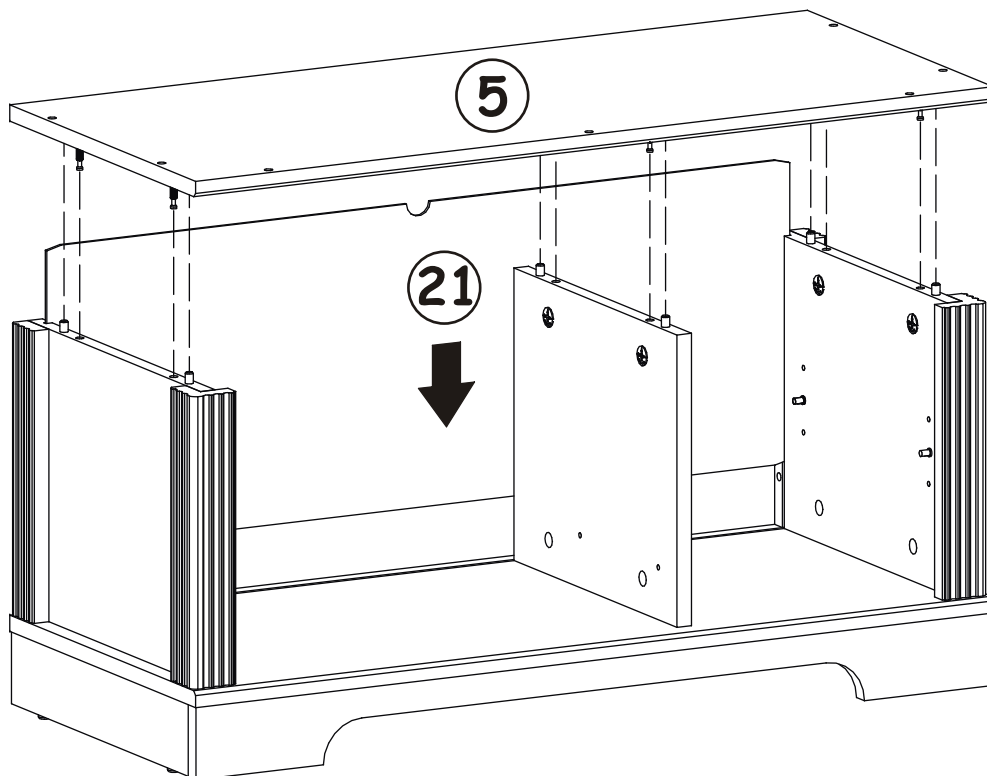


19

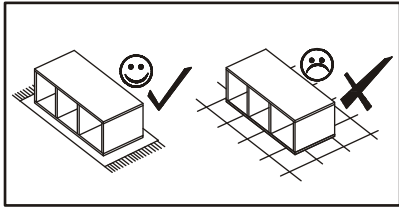


G5

x6

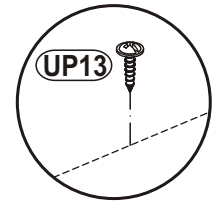
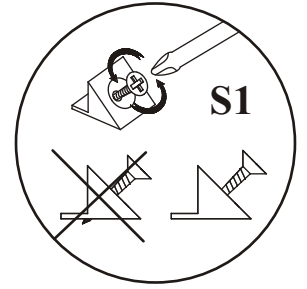
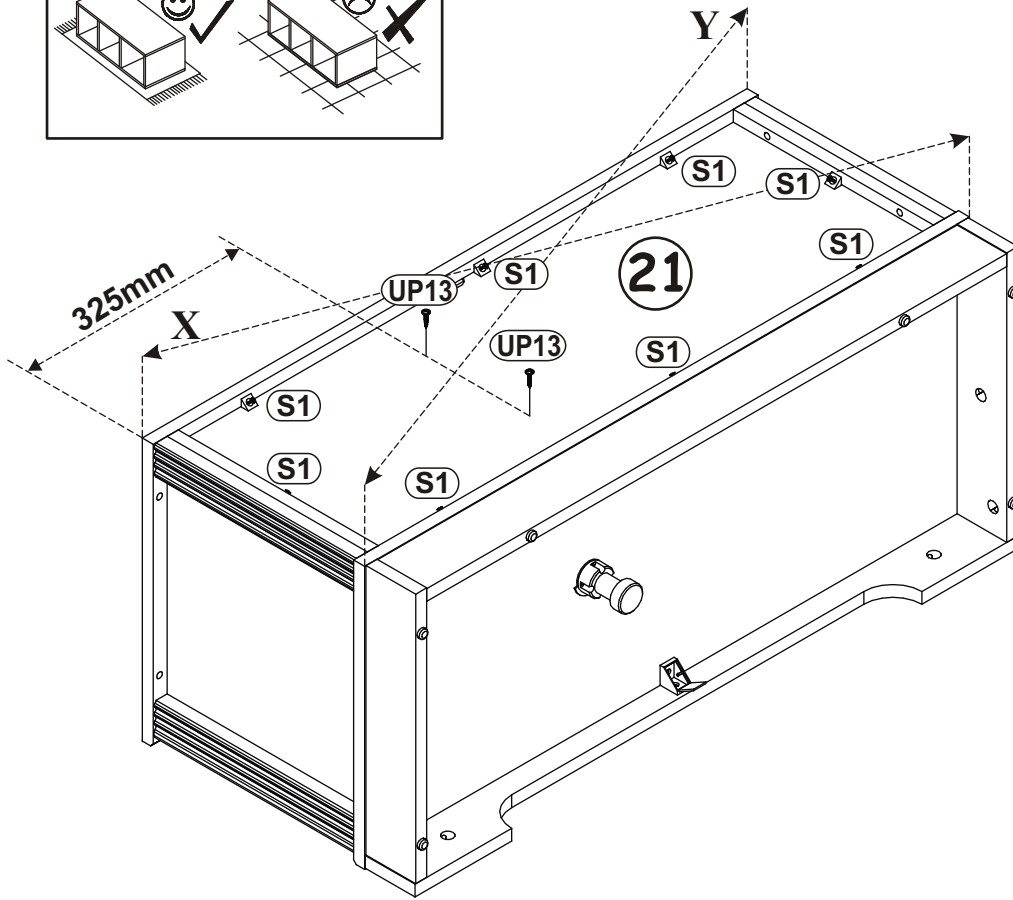


20

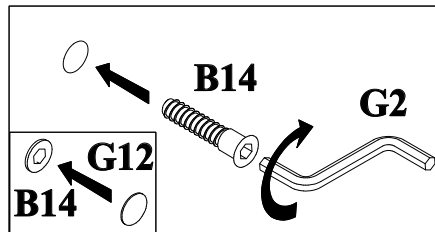
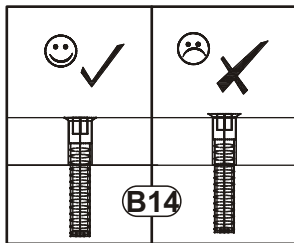


$X=Y$   $90^\circ$

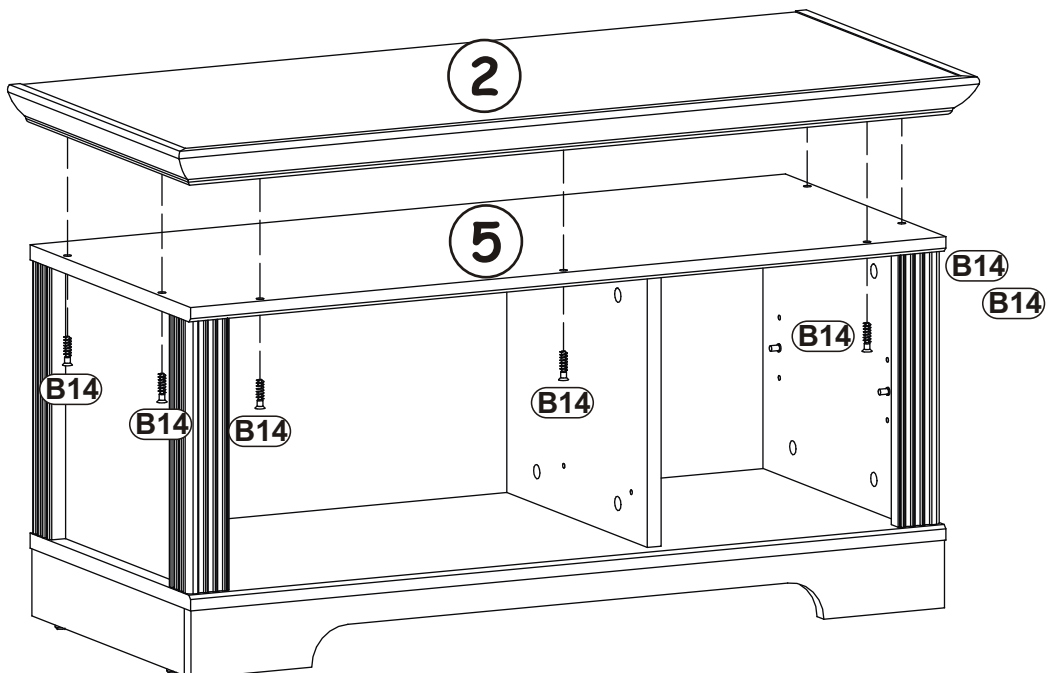
S1		UP13	
x8		x2	UPØ3x16

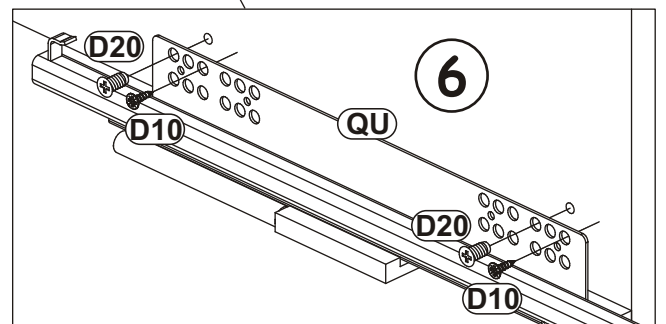
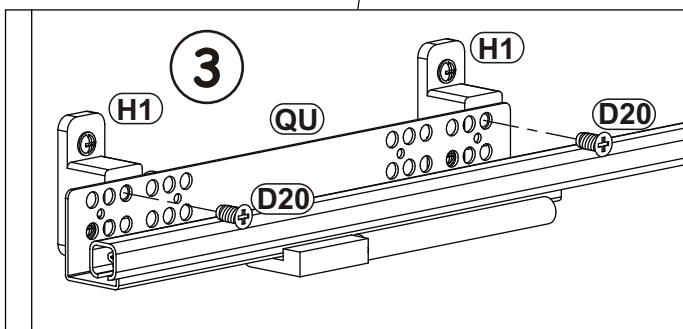
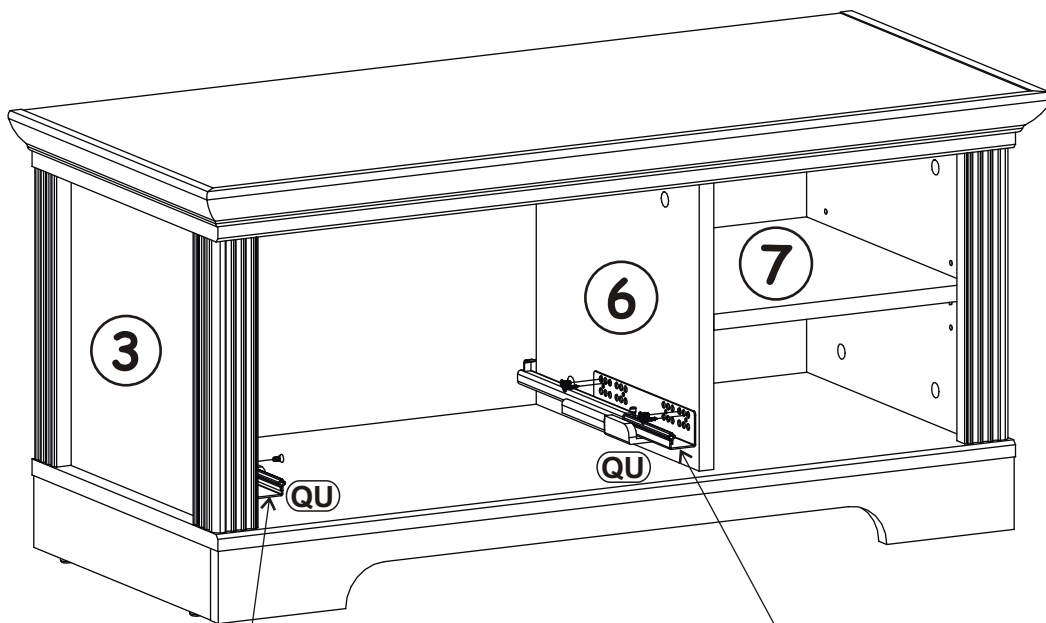
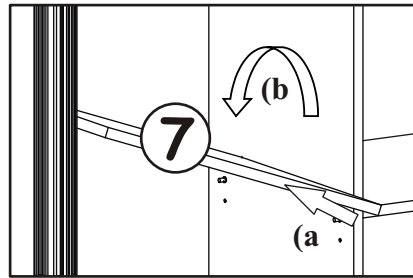
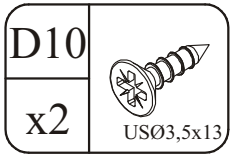
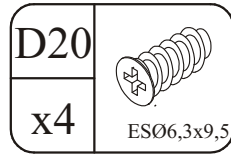
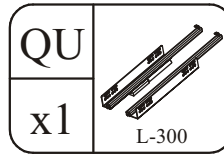


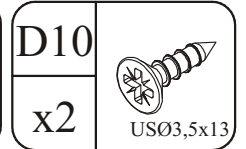
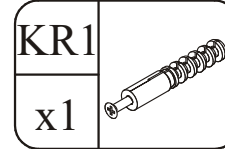
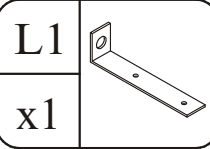
21



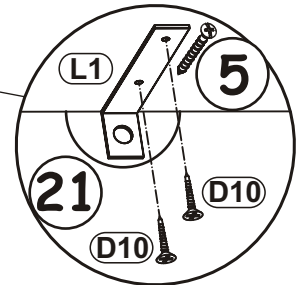
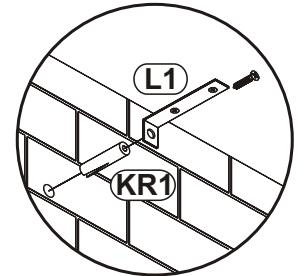
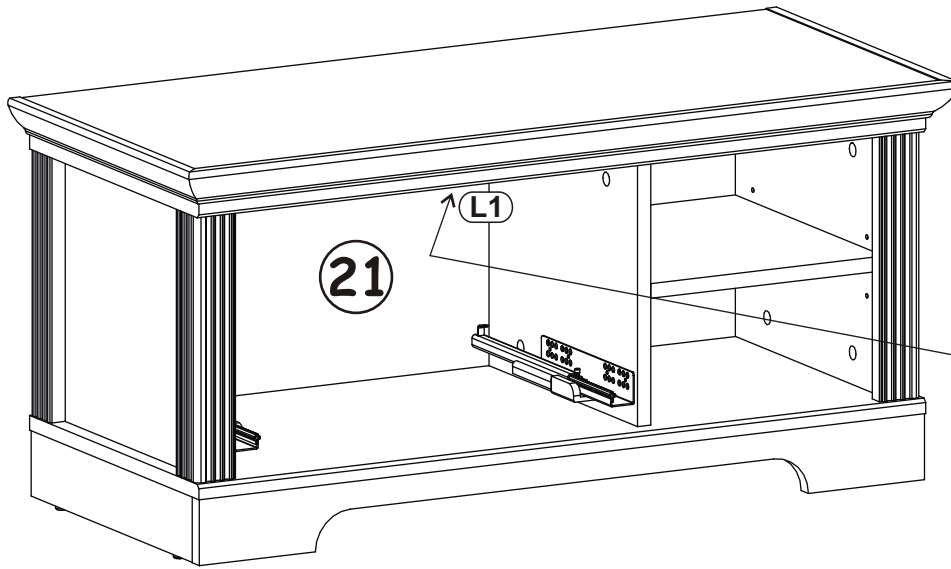
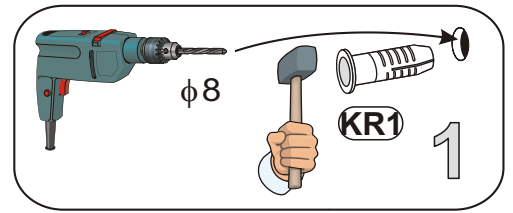
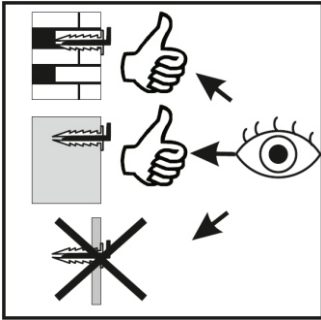
B14		G12	
x7	Ø7x30	x7	Ø14



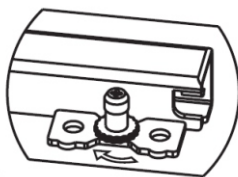
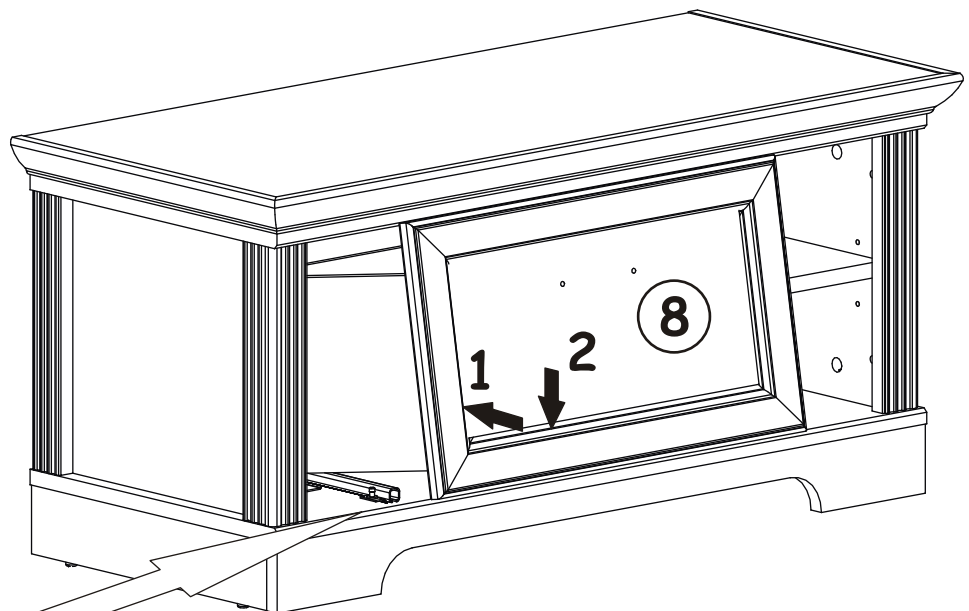




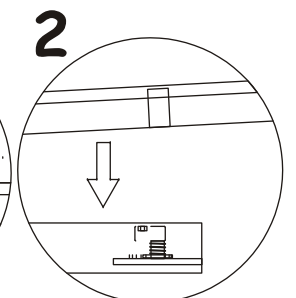
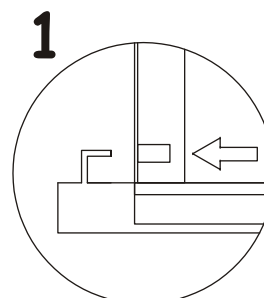
23



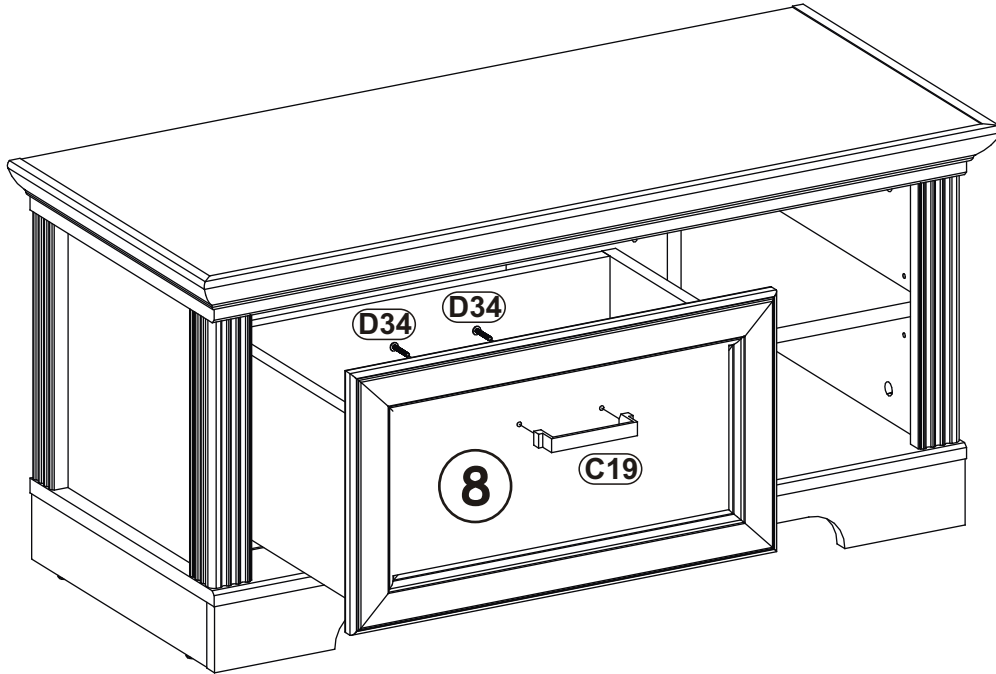
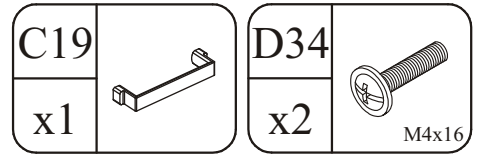
24



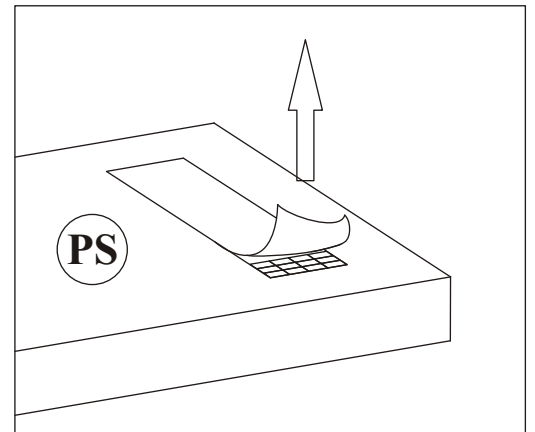
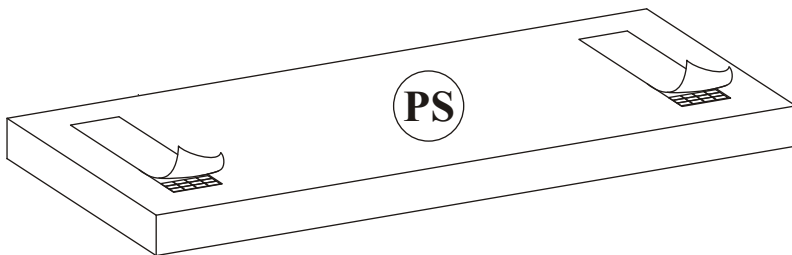
+4mm ↑



25

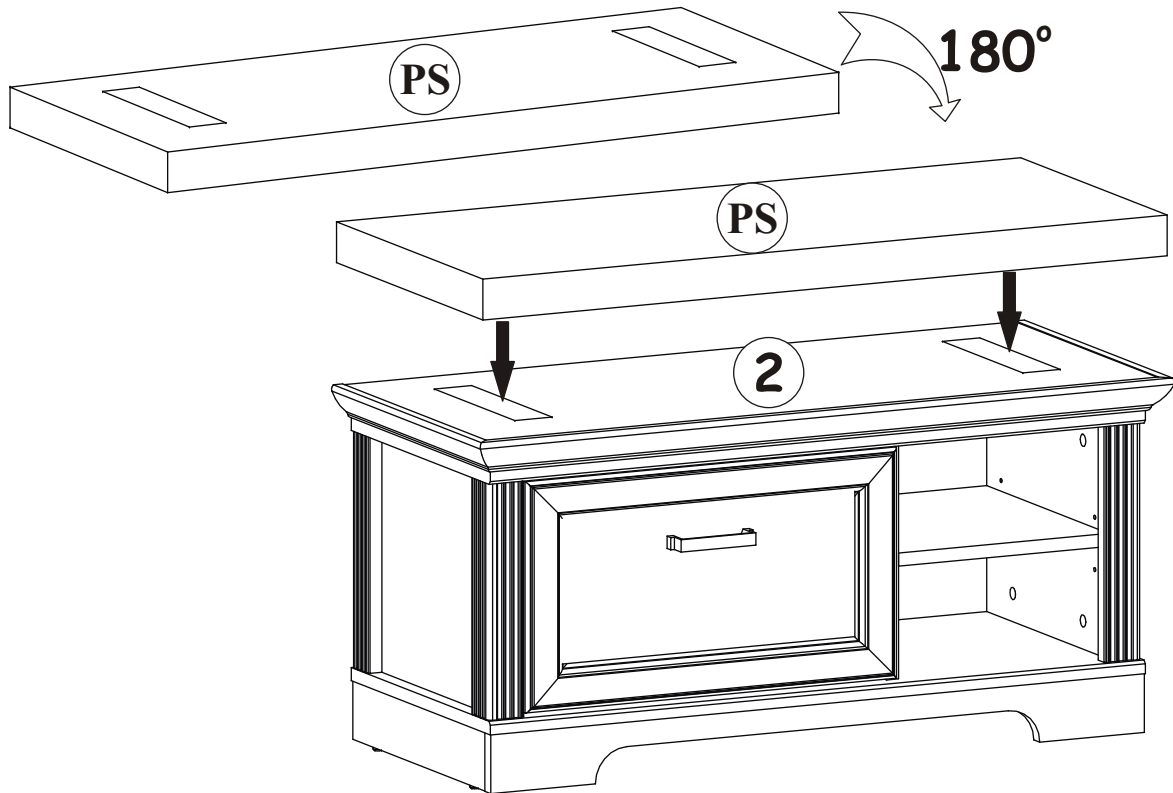


26





27



28

