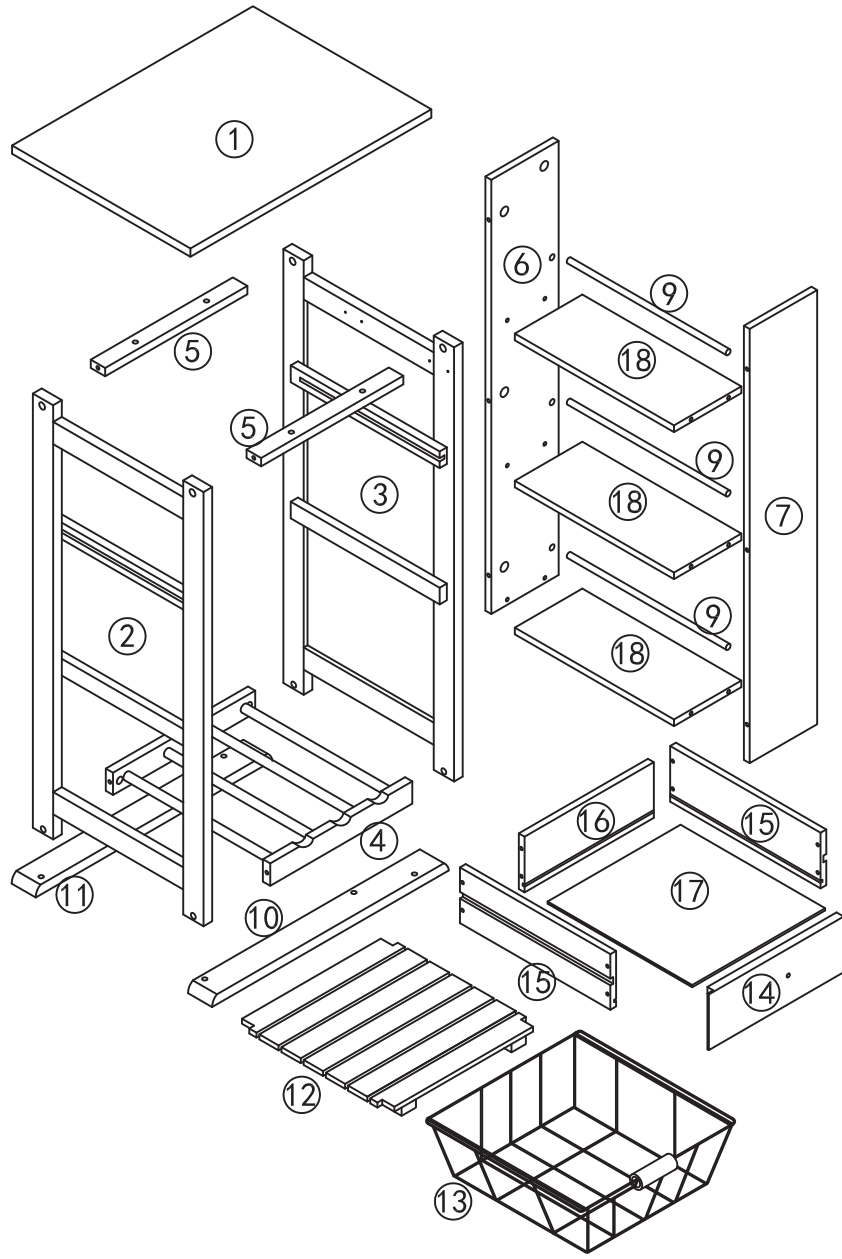
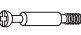
















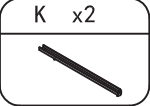
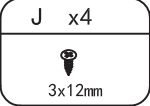
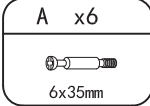
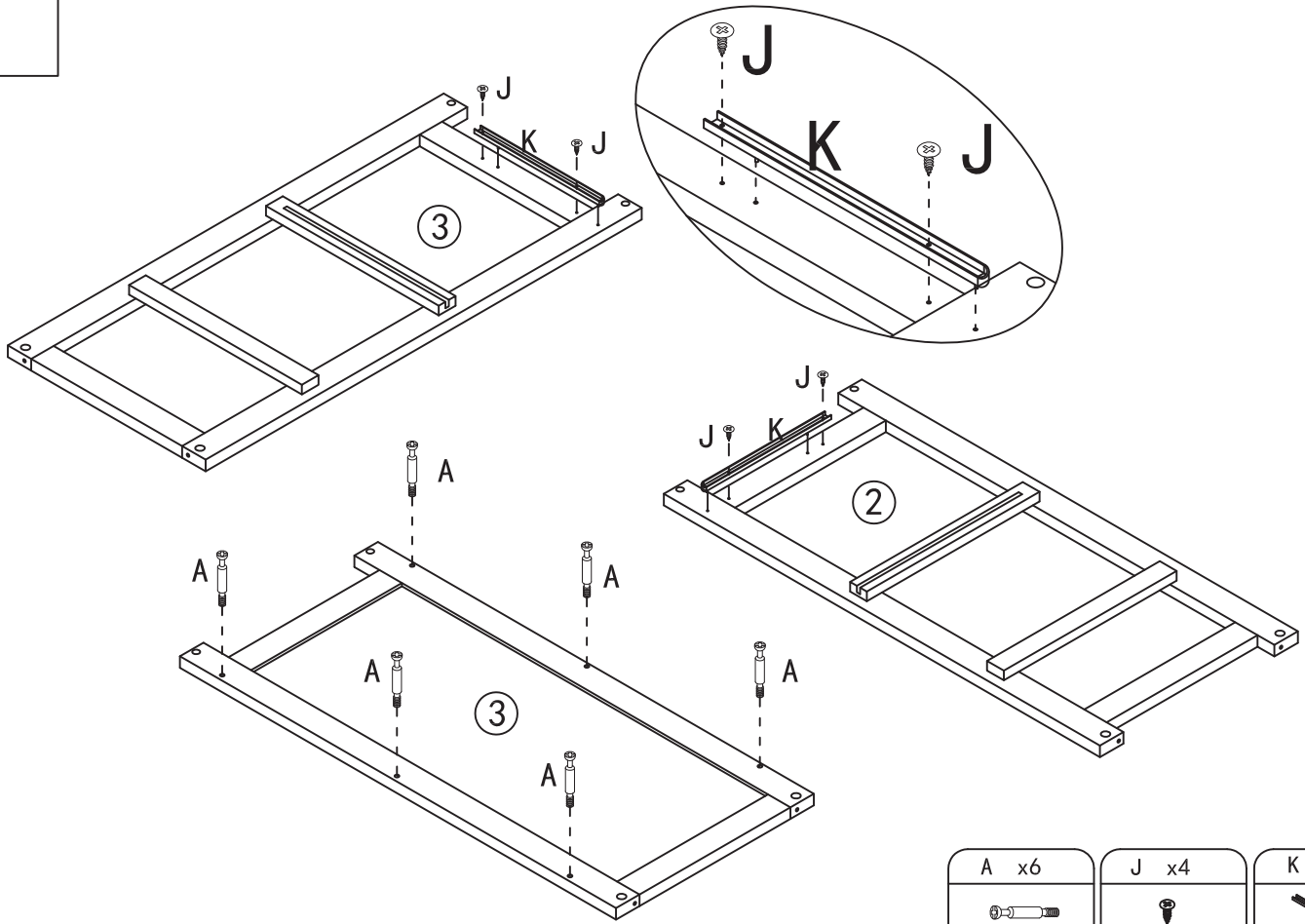


Zeller Present Handels GmbH  
GmbH, D-63939 Woerth  
[www.zeller-gmbh.com](http://www.zeller-gmbh.com)

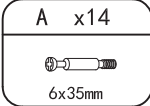
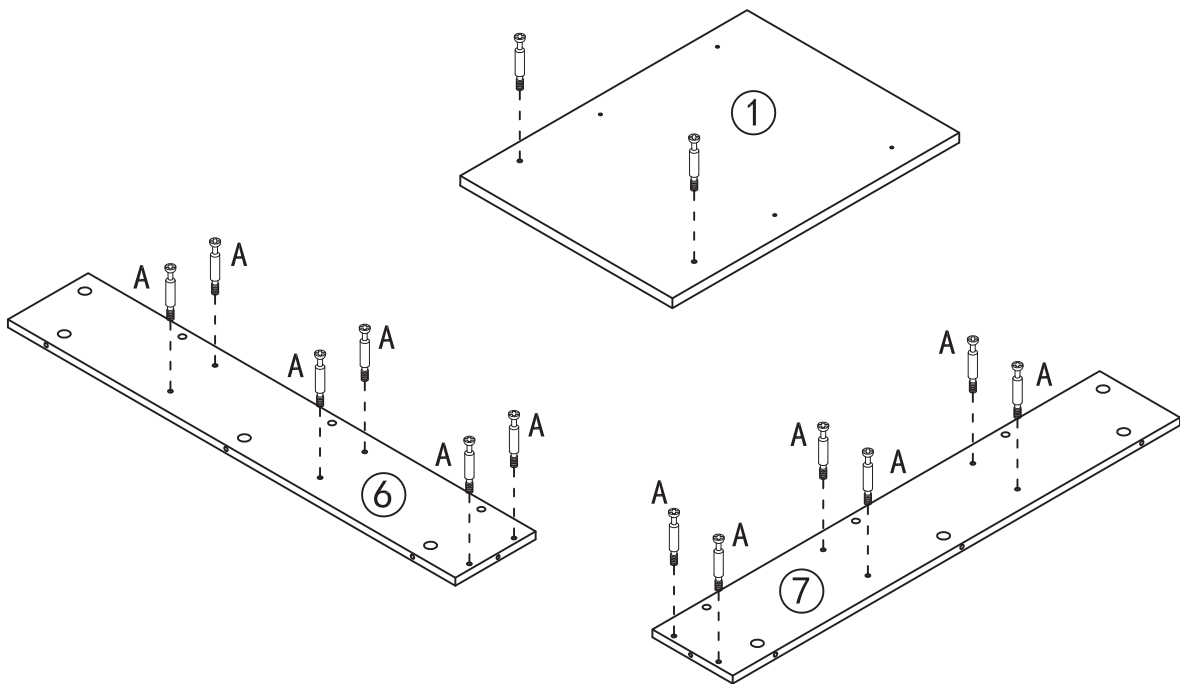


A x20  6x35mm	B x20  15x10mm	C x6  4x40mm	D x4  6x45mm	E x8  6x10mm	F x4  6x30mm	G x9  4x30mm	H x1 
I x4  4x25mm	J x4  3x12mm	K x2 	L x16  4x12mm	M x2 	N x2 	O x2 	P x2 
Q x1 	x2						

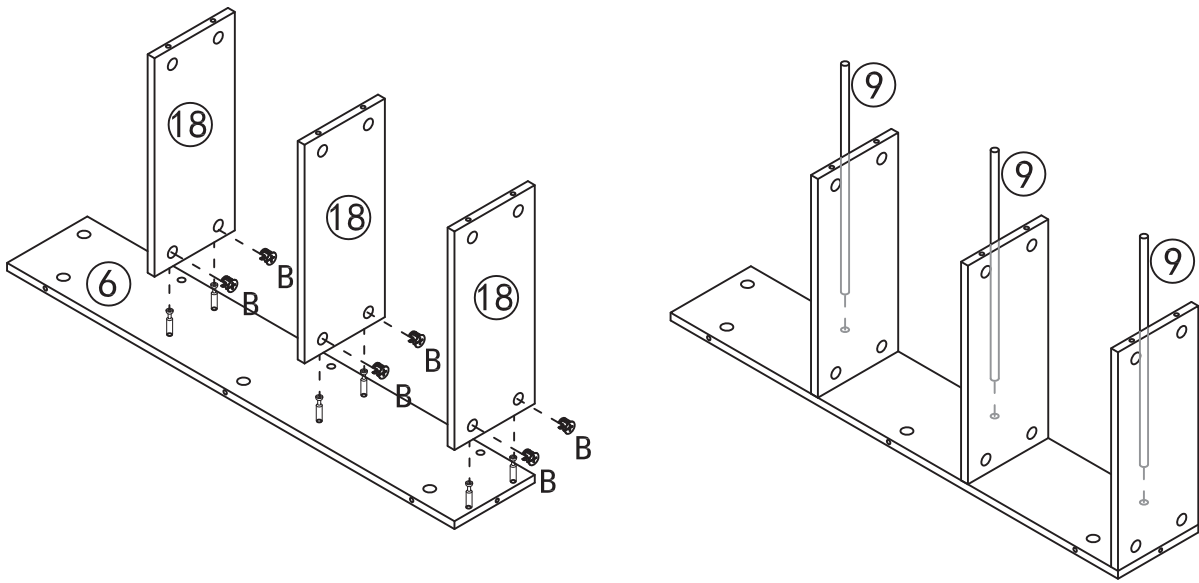
1



2



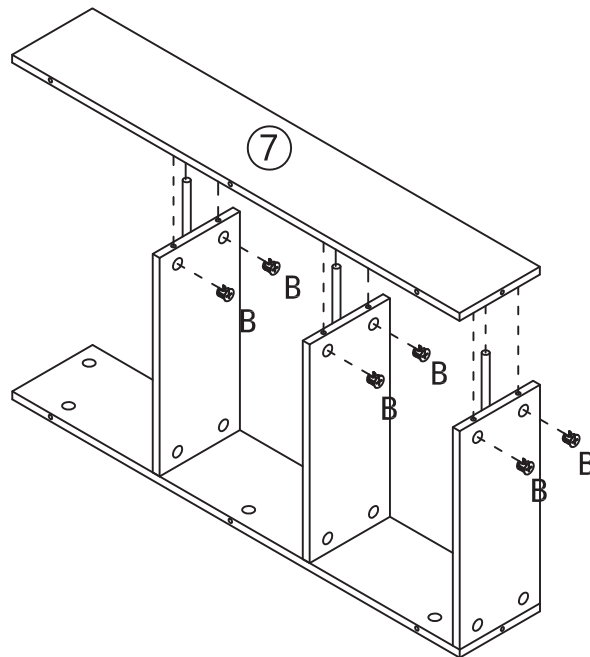
3



B x6



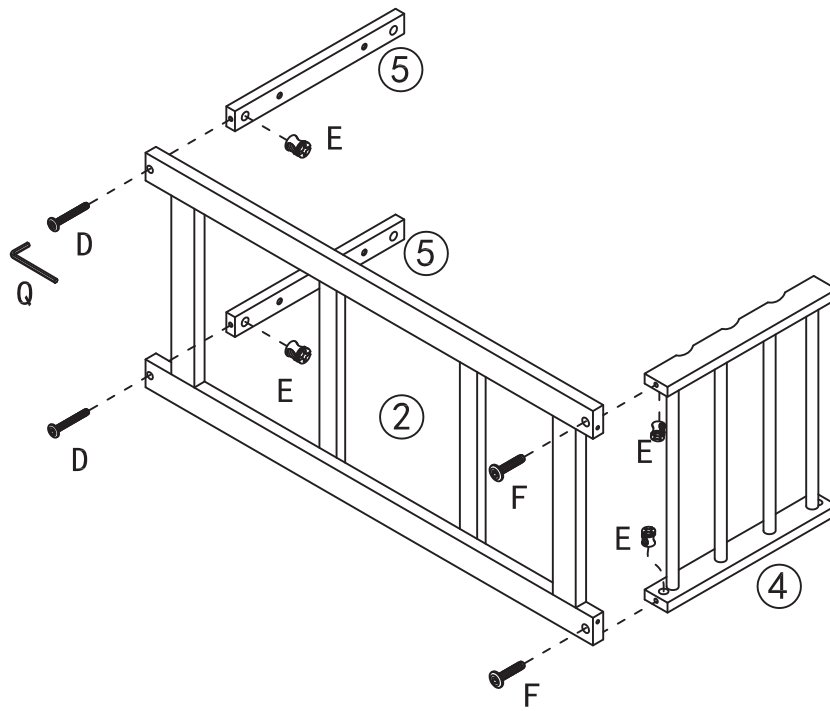
4



B x6

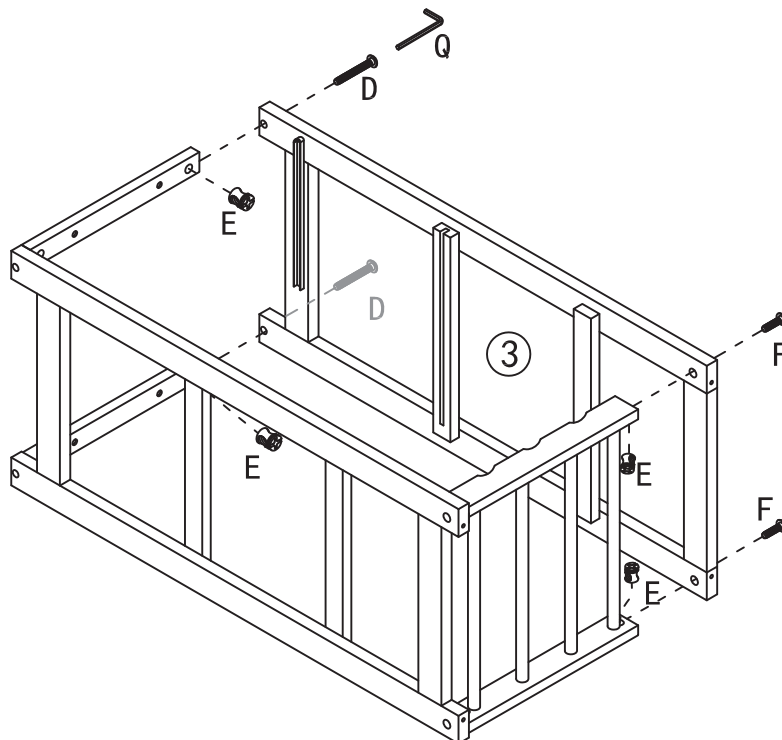


5



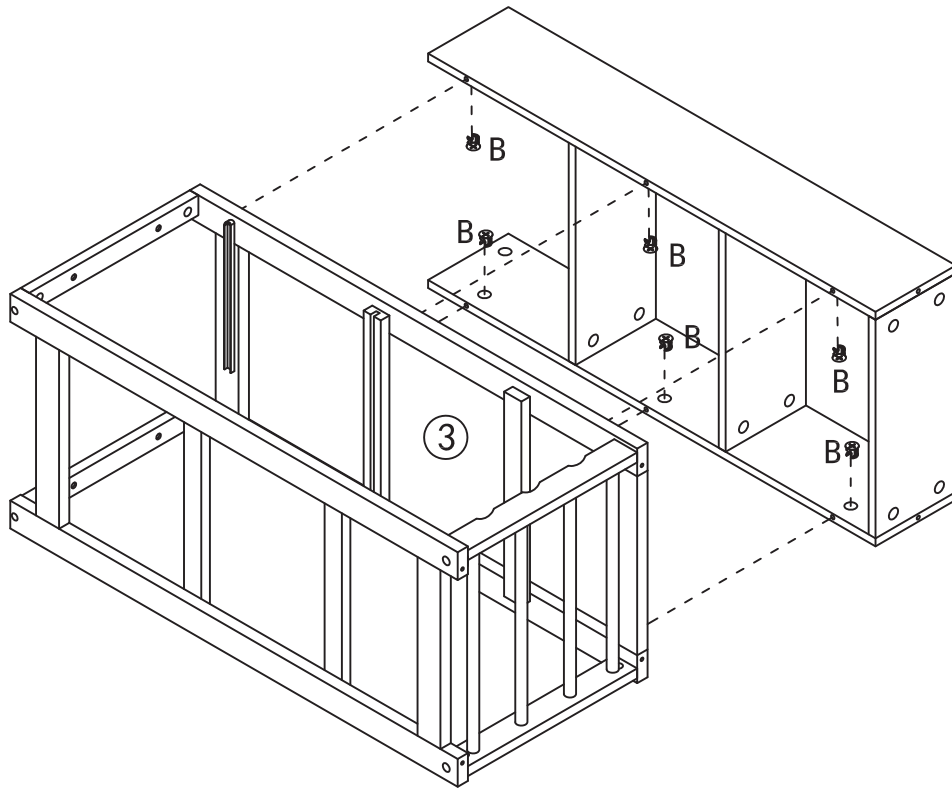
D x2 6x45mm	E x4 6x10mm	F x2 6x30mm	Q x1
----------------	----------------	----------------	------


6



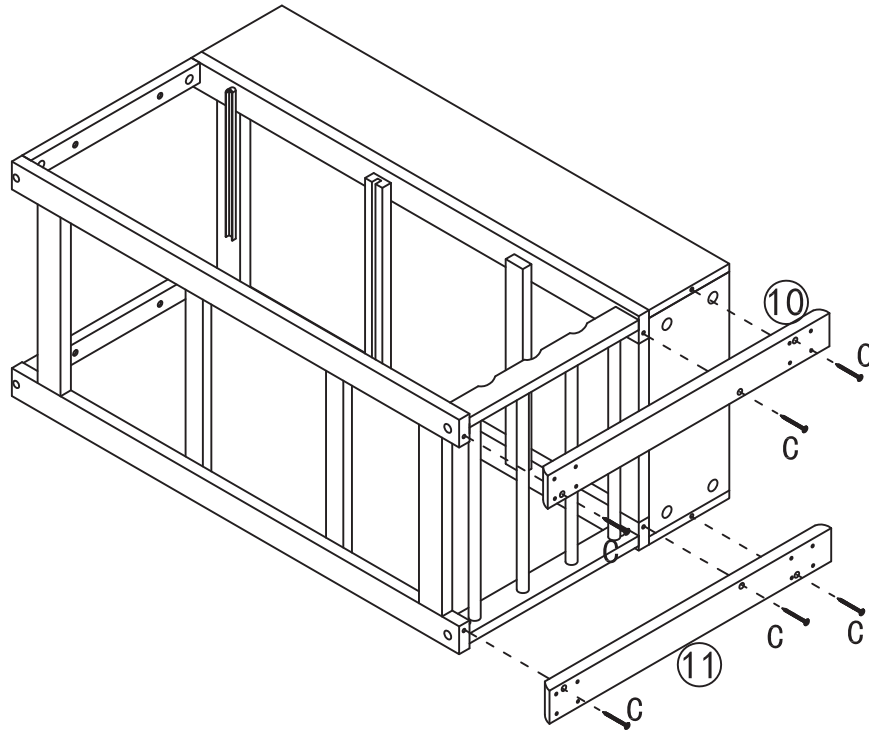
D x2 6x45mm	E x4 6x10mm	F x2 6x30mm	Q x1
----------------	----------------	----------------	------


7



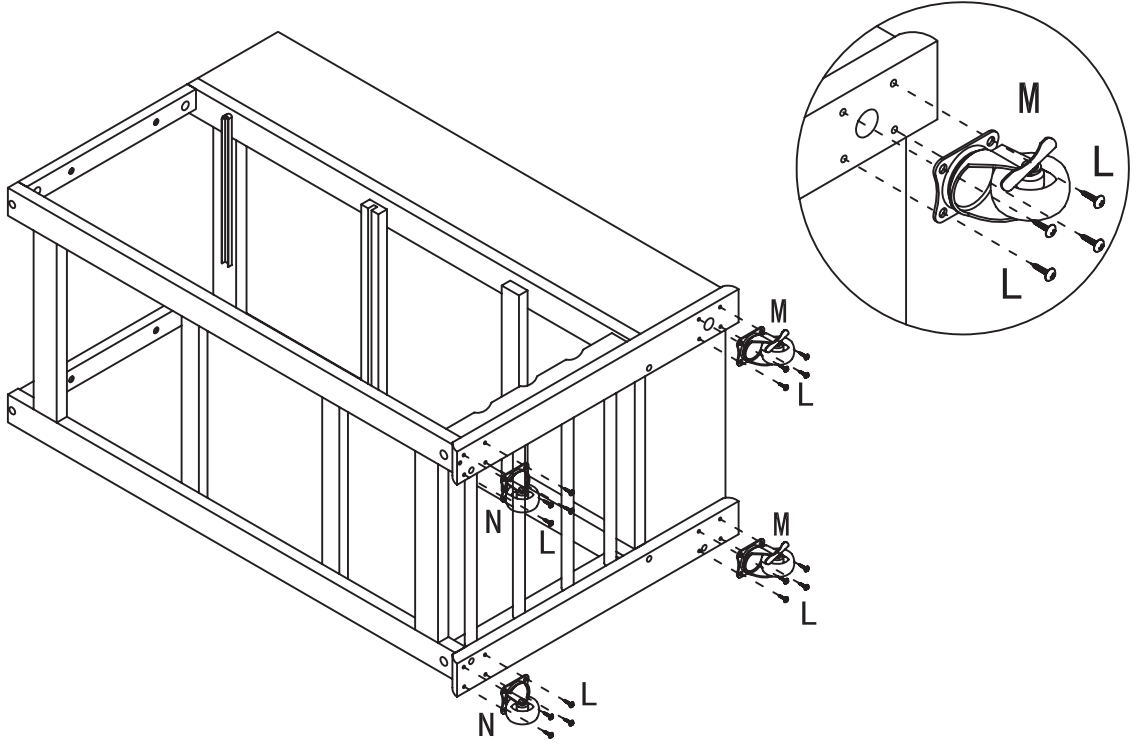
B x6  





8



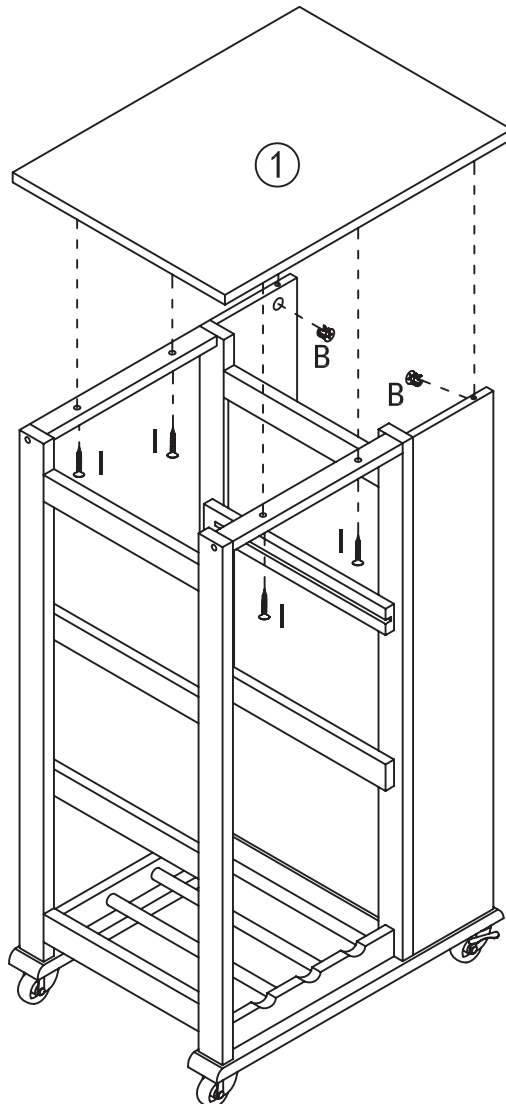
C x6  
  
4x40mm

9



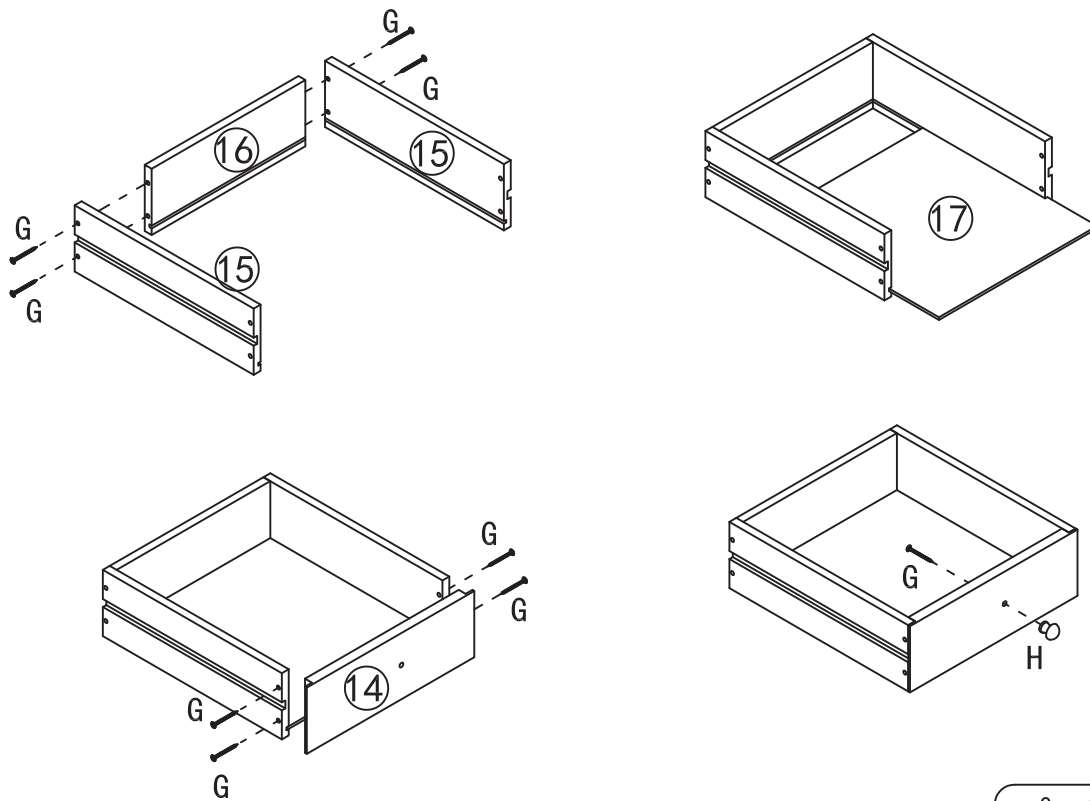
L x16  4x12mm	M x2 	N x2 
--	---	---



10



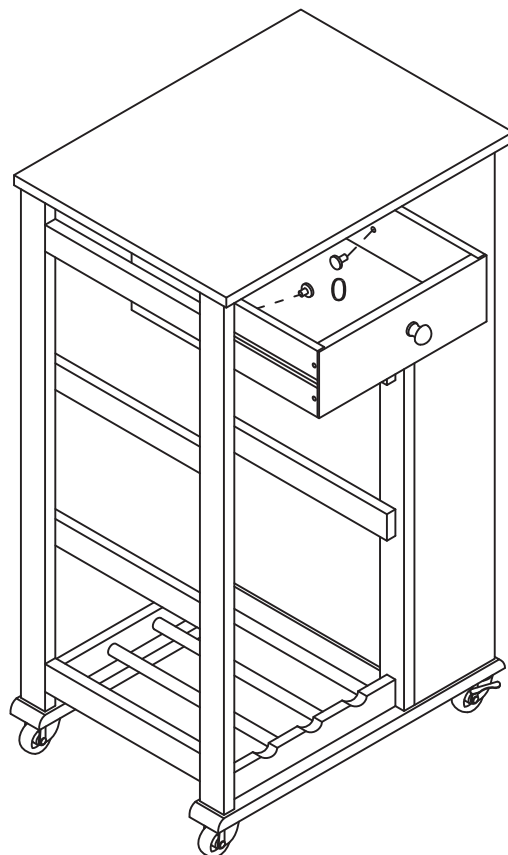
B x2 	I x4  4x25mm
---	---


11



G x9	H x1
 4x30mm	

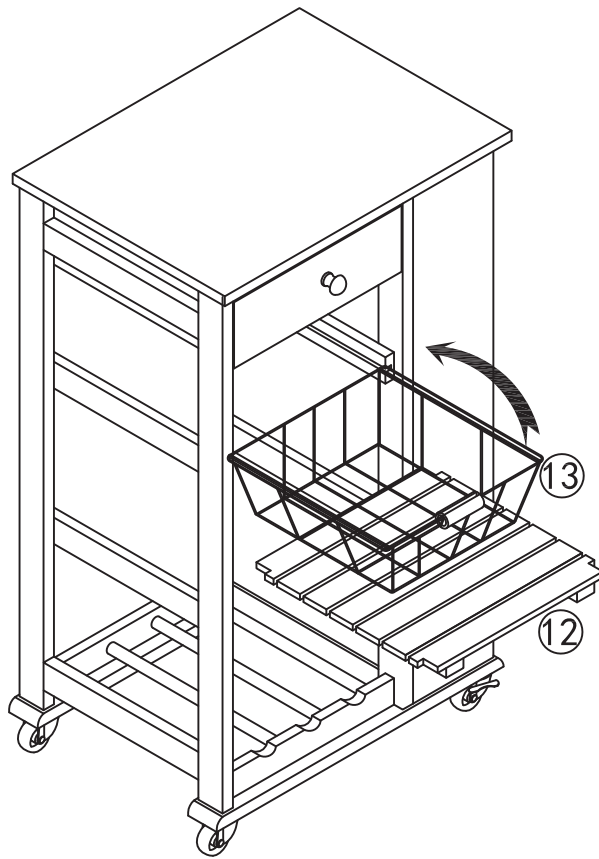
12



0 x2




13



14

